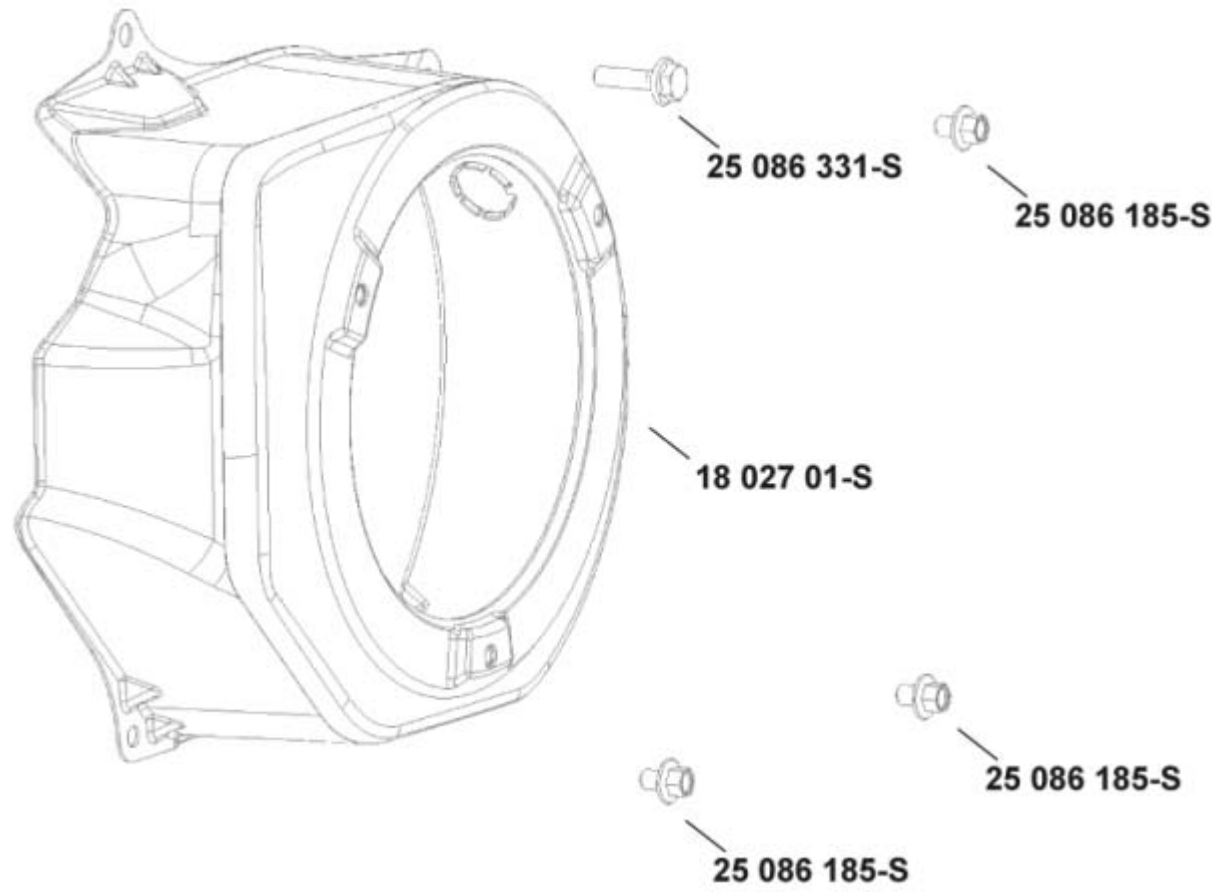


Air Intake/Filtration

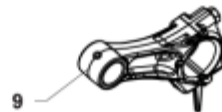
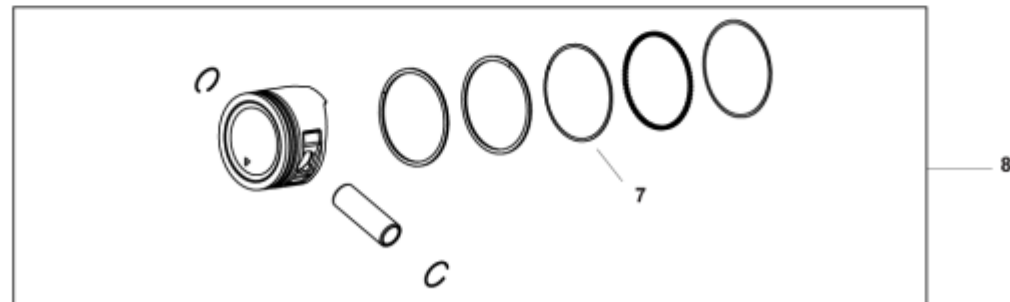
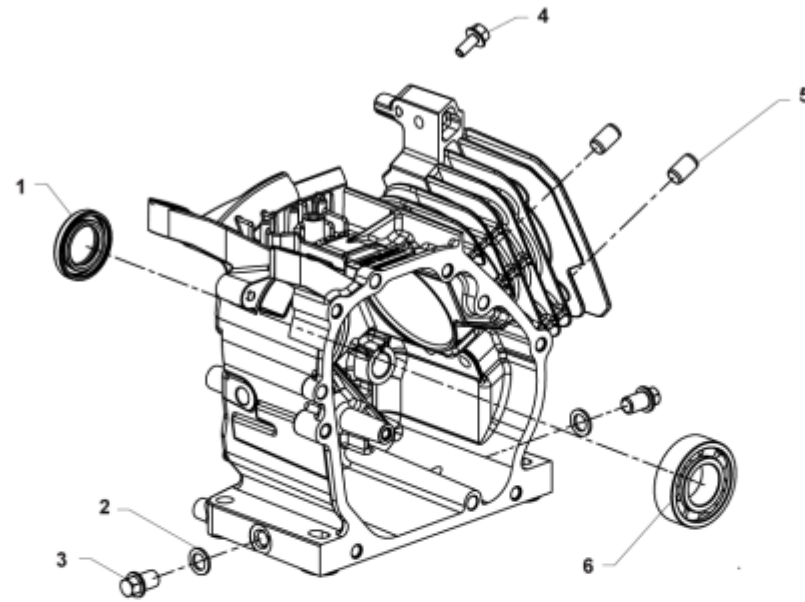
Ref #	Part	Description	Qty
	18 048 03-S	KIT, AIR CLEANER	1
	18 100 02-S	NUT, WING	1
	18 083 05-S	PRECLEANER	1
	18 083 04-S	FILTER, AIR	1
	18 032 03-S	GASKET, AIR FILTER	1
	25 086 223-S	SCREW, M6 X18	1
	18 096 04-S	A/C COVER TOP	1



Blower Housing & Baffles

Ref #	Part	Description	Qty
	18 027 01-S	HOUSING ASSY, BLOWER	1
	25 086 304-S	SCREW, M6 X 8 HEX FLANGE HEAD	3
	25 086 331-S	SCREW, M6 X 22	1

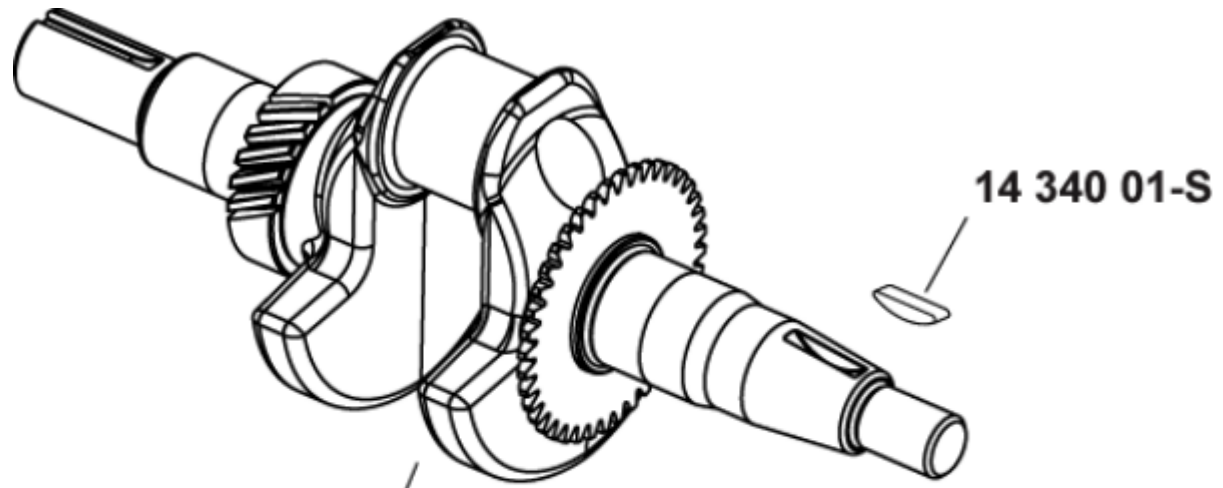
**CRANKCASE GROUP
SH265**



ILLUSTRATIONS ARE REPRESENTATIVE AND ARE NOT INTENDED TO SHOW ALL DETAILS FOR EACH COMPONENT

Crankcase

Ref #	Part	Description	Qty
2	18 468 01-S	WASHER, DRAIN PLUG	2
3	17 139 01-S	KIT, DRAIN PLUG	2
4	25 086 159-S	SCREW, HEX FLANGE (M6) USE 25 086 433-S	2
5	14 380 06-S	USE 14 380 13-S DOWEL, CYL HEAD	2
7	18 108 01-S	RING SET	1
8	18 874 01-S	KIT, PISTON STD - (#1887402S)	1
9	17 067 01-S	ROD, CONNECTING ASSY	1
	18 010 03-S	CAMSHAFT ASSY - USE 18 010 06-S NOT ILLUSTRATED	1
	18 310 01-S	GOVERNOR ASSY NOT ILLUSTRATED	1

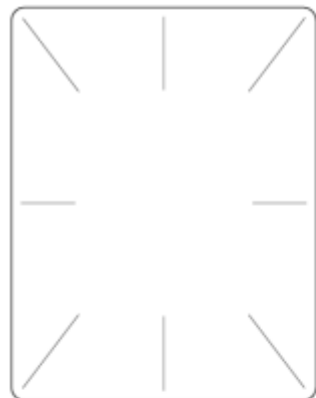


- 18 014 16-S
- 18 014 20-S
- 18 014 22-S
- 18 014 24-S
- 18 014 26-S

Crankshaft

Ref #	Part	Description	Qty
	18 014 16-S	CRANKSHAFT ASSY	1
	14 340 01-S	KEY, FLYWHEEL	1

DECALS



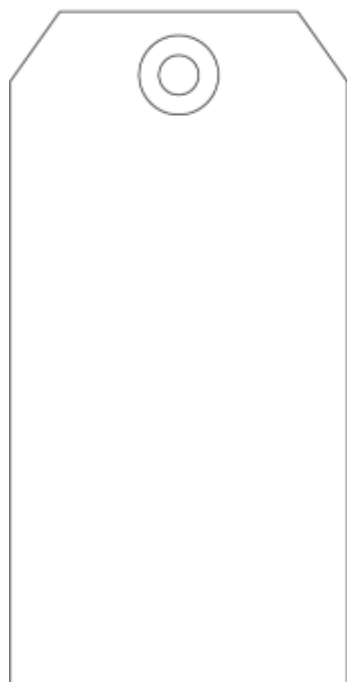
25 113 59-S



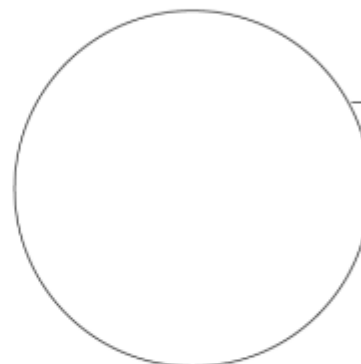
25 113 39-S



17 113 16-S



25 450 05-S



18 113 07-S



25 113 57-S



25 113 56-S



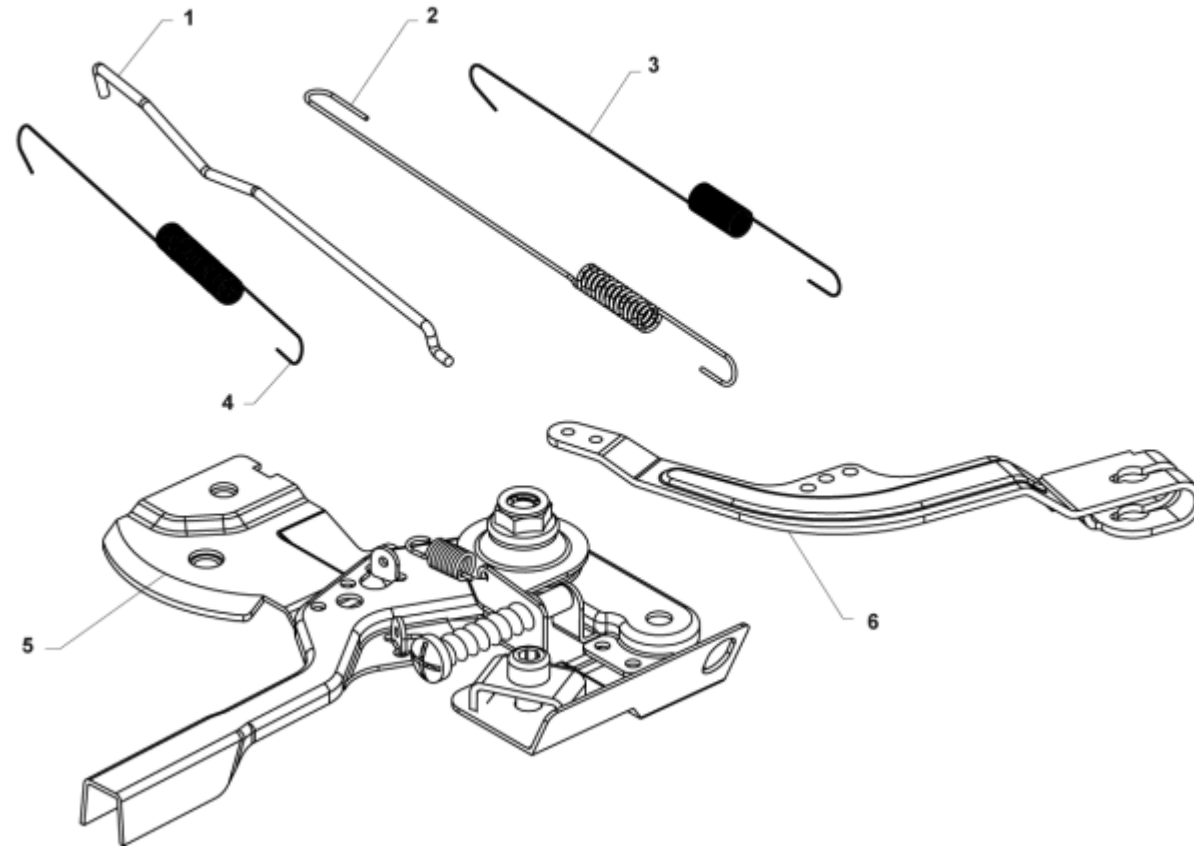
18 113 02-S

Artwork is representative.

Decals

Ref #	Part	Description	Qty
	18 113 02-S	DECAL, HORSEPOWER	1
	18 113 07-S	DECAL, RECOIL	1
	25 113 59-S	DECAL, MAINTENANCE	1
	25 113 57-S	DECAL, FUEL SHUT OFF & CHOKE	1
	25 113 39-S	DECAL, CLEAR LAMINATE	1
	17 113 16-S	DECAL, WARNING	1
	25 450 05-S	TAG, HANG	1
	25 113 56-S	DECAL, THROTTLE	1

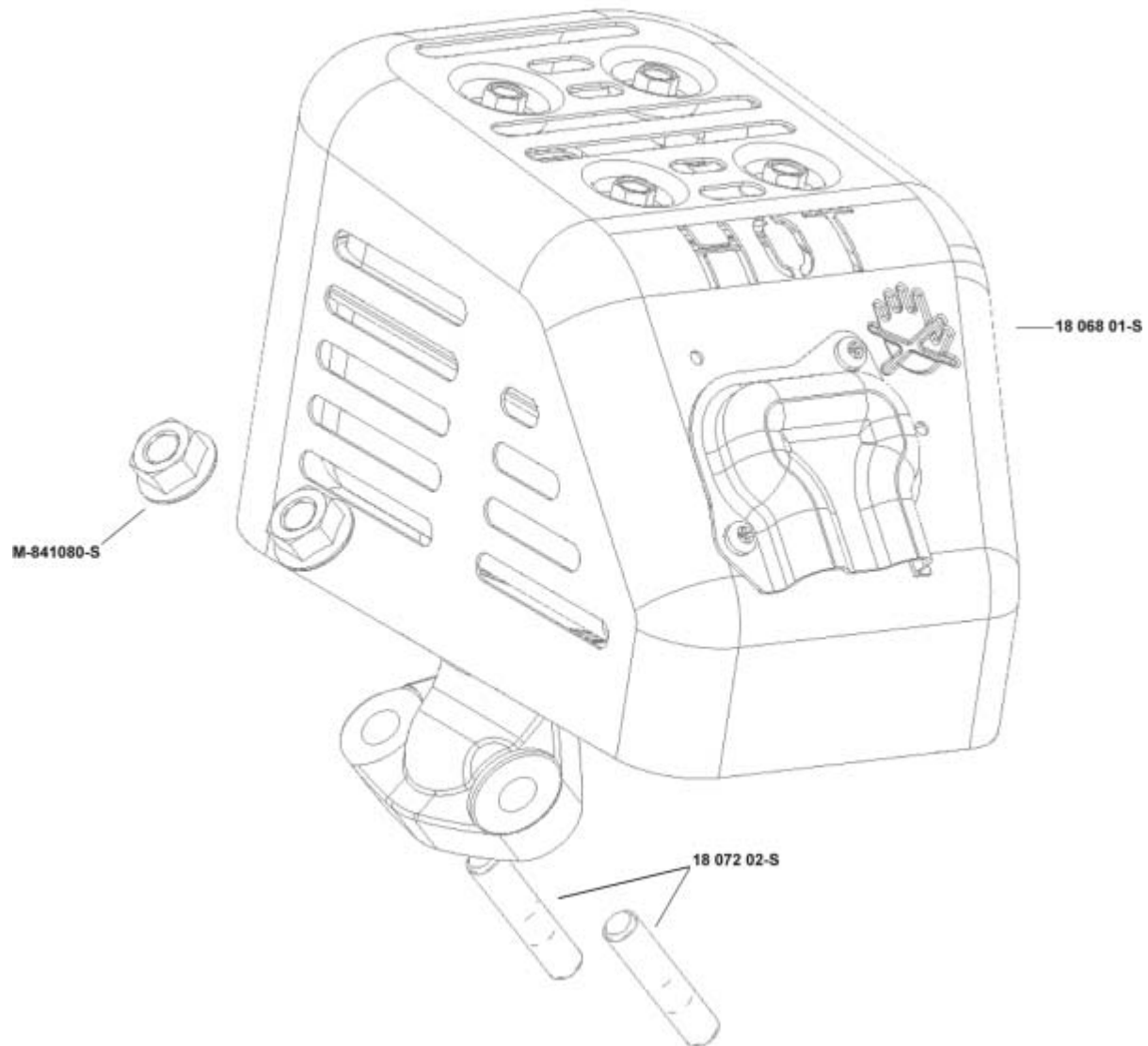
**ENGINE CONTROLS GROUP
SH265**



Engine Controls

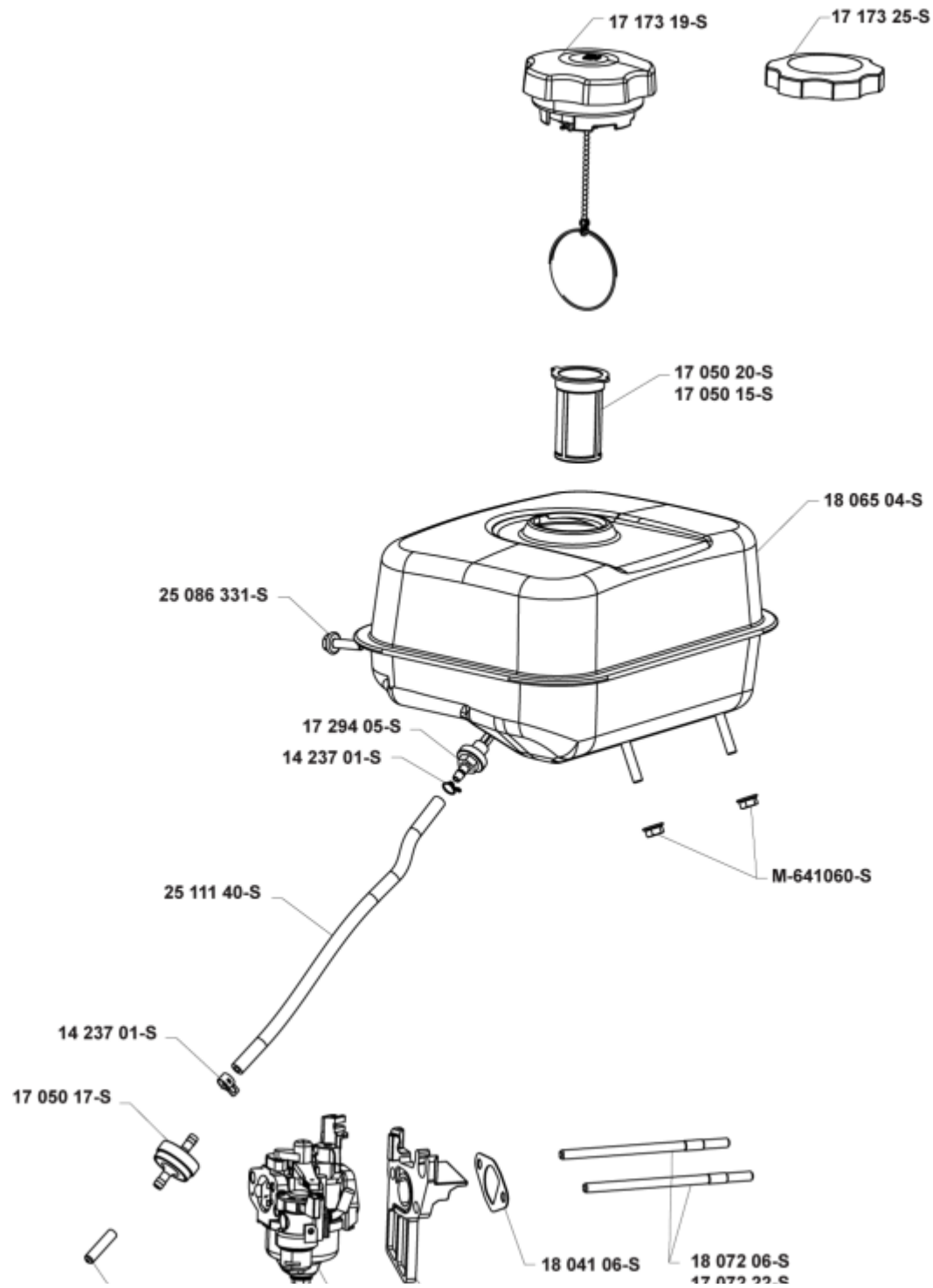
Ref #	Part	Description	Qty
1	18 079 01-S	LINKAGE, GOVERNOR - (#1807905S)	1
2	18 089 08-S	SPRING, GOVERNOR - USE 18 089 19-S	1
4	18 089 03-S	SPRING, LINKAGE	1
5	18 536 01-S	VARIABLE SPD CNTRL ASSY W/O KILL	1
6	18 090 02-S	KIT, GOVERNOR LEVER	1

Exhaust



Exhaust

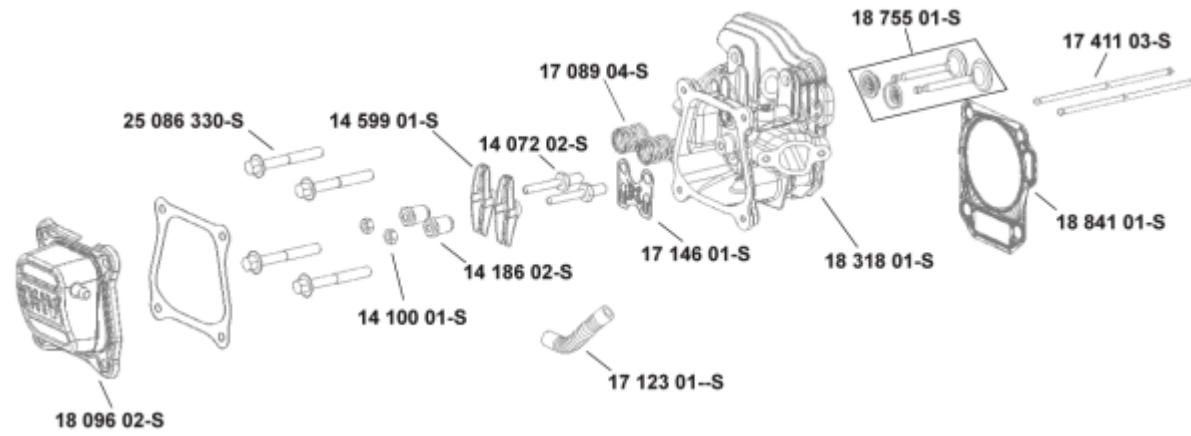
Ref #	Part	Description	Qty
	18 072 02-S	STUD, MUFFLER - (#25086351S)	2
	M-841080-S	NUT, FLG M8X1.25	2
	18 068 01-S	KIT,MUFFLER W/HEAT SHIELD-(#1806805S)	1
	18 314 09-S	SHIELD, EXHAUST NOT ILLUSTRATED	1



Fuel System

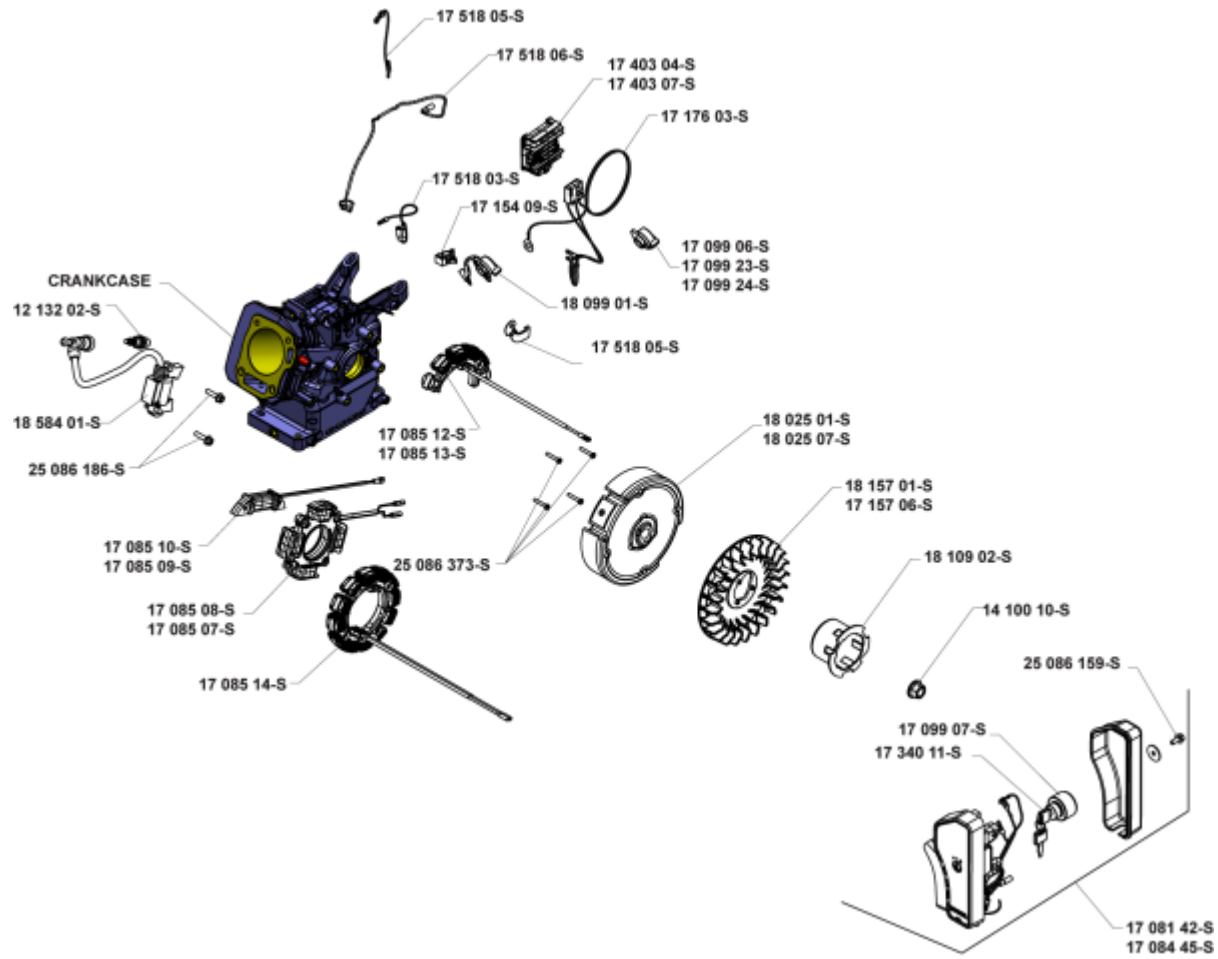
Ref #	Part	Description	Qty
	17 050 15-S	FUEL FILTER TANK - USE 17 050 20-S	1
	17 173 25-S	CAP, FUEL TANK	1
	18 853 06-S	KIT, CARBURETOR NOT ILLUSTRATED	1
	18 041 06-S	KIT, INTAKE GASKET	1
	M-641060-S	NUT, FLG M6X1.0	2
	17 294 05-S	FITTING, FUEL ASSY	1
	25 086 331-S	SCREW, M6 X 22	1
	18 065 04-S	FUEL TANK ASSY	1
	25 111 40-S	LINE, FUEL (10"-CUT TO LENGTH)	1
	18 072 06-S	STUD, CARBURETOR NOT ILLUSTRATED	2
	14 237 01-S	CLAMP, FUEL LINE	2

Head/Valve/Breather



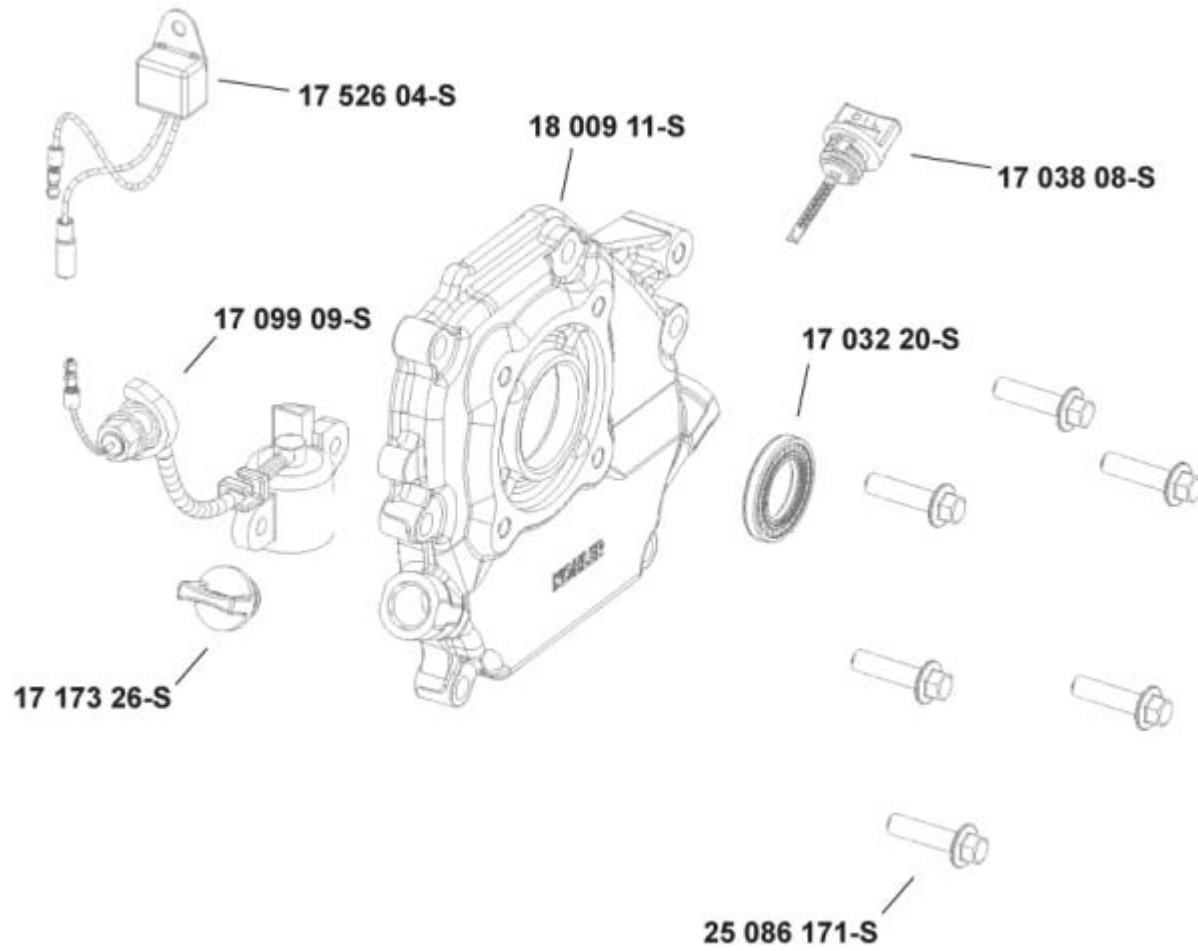
Head/Valve/Breather

Ref #	Part	Description	Qty
	18 318 01-S	KIT, CYL HEAD ASSY	1
	18 096 02-S	KIT, VALVE COVER ASSY	1
	25 086 330-S	BOLT, M8 X 60 (CKY)	4
	18 841 01-S	KIT, HEAD GASKET	1
	17 123 01-S	TUBE, BREATHER - USE 17 123 89-S	1
	17 411 03-S	ROD, PUSH	2
	14 599 01-S	PIVOT, ROCKER ARM	2
	14 100 01-S	NUT, HEX JAM	2
	14 072 02-S	STUD, ROCKER ARM USE 14 072 22-S	2
	17 146 01-S	PLATE, PUSHROD GUIDE	1
	17 089 04-S	SPRING, VALVE	2
	18 755 01-S	KIT, VALVE TRAIN	1
	14 186 02-S	ARM, ROCKER	2
	18 016 02-S	VALVE, EXHAUST NOT ILLUSTRATED	2
	18 017 03-S	VALVE, INTAKE NOT ILLUSTRATED	1
	14 018 02-S	RETAINER, VALVE SPRING NOT ILLUSTRATED	1
	17 018 02-S	RETAINER, EXHAUST VALVE SPRING NOT ILLUSTRATED	1



Ignition/Electrical

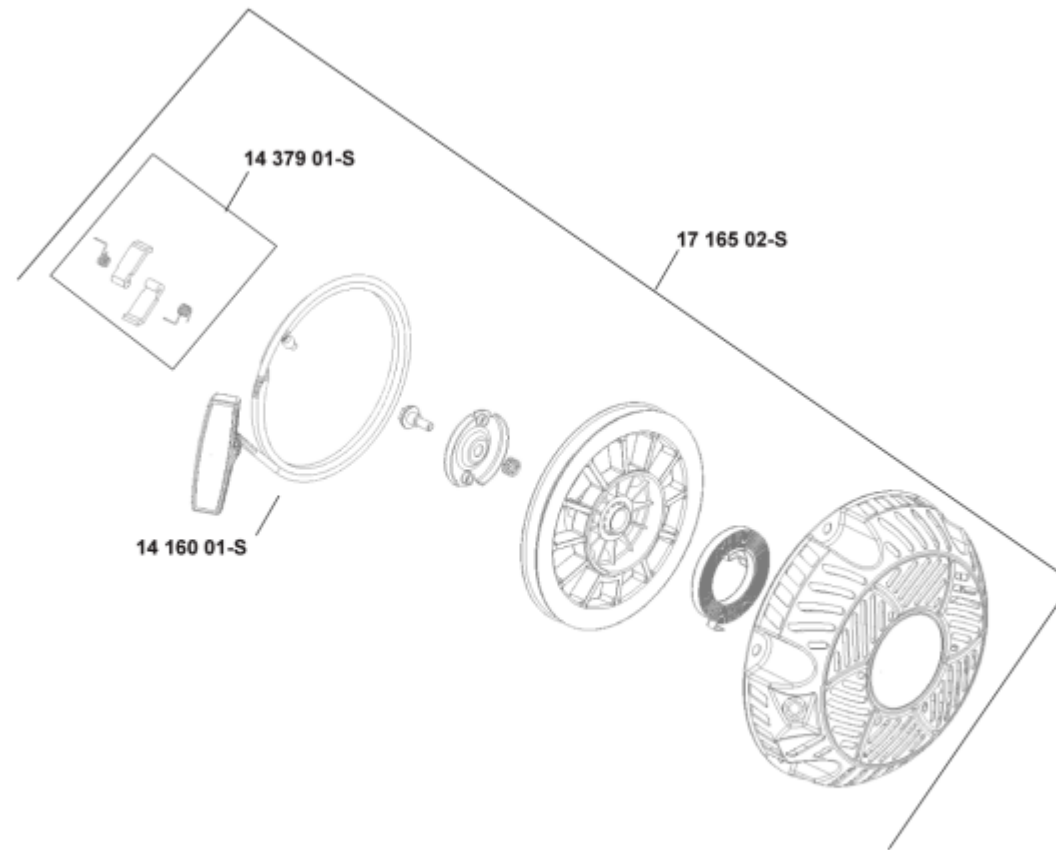
Ref #	Part	Description	Qty
	17 099 24-S	SWITCH, IGNITION	1
	18 025 01-S	FLYWHEEL ASSY	1
	18 584 01-S	MODULE, IGNITION	1
	12 132 02-S	SPARK PLUG (STD)	1
	14 100 10-S	NUT, FLYWHEEL (W/SERRATIONS) NOT ILLUSTRATED	1
	17 154 09-S	CLIP, WIRE HARNESS	1
	18 157 01-S	FAN, FLYWHEEL NOT ILLUSTRATED	1
	17 518 03-S	LEAD, OPTIONAL EQUIPMENT NOT ILLUSTRATED	1
	17 237 13-S	KIT, CABLE CLAMP (BARREL CONNECTOR) NOT ILLUSTRATED	2
	18 109 02-S	CUP, STARTER DRIVE	1



Oil Pan/Lubrication

Ref #	Part	Description	Qty
	17 099 09-S	SWITCH, OIL SENSOR ASSY	1
	17 526 04-S	CONTROL, OIL ALERT UNIT	1
	25 086 171-S	SCREW, CLOSURE PLATE	6
	18 009 11-S	PLATE, CLOSURE & BEARING	1
	17 038 08-S	DIPSTICK ASSY	1
	18 041 09-S	GASKET, CLOSURE PLATE NOT ILLUSTRATED	1

STARTING SYSTEM



Starting System

Ref #	Part	Description	Qty
	14 379 01-S	KIT, PAWL REPAIR	1
	17 165 02-S	RETRACTABLE STARTER ASSY	1
	14 160 01-S	KIT, STARTER ROPE W/HANDLE	1