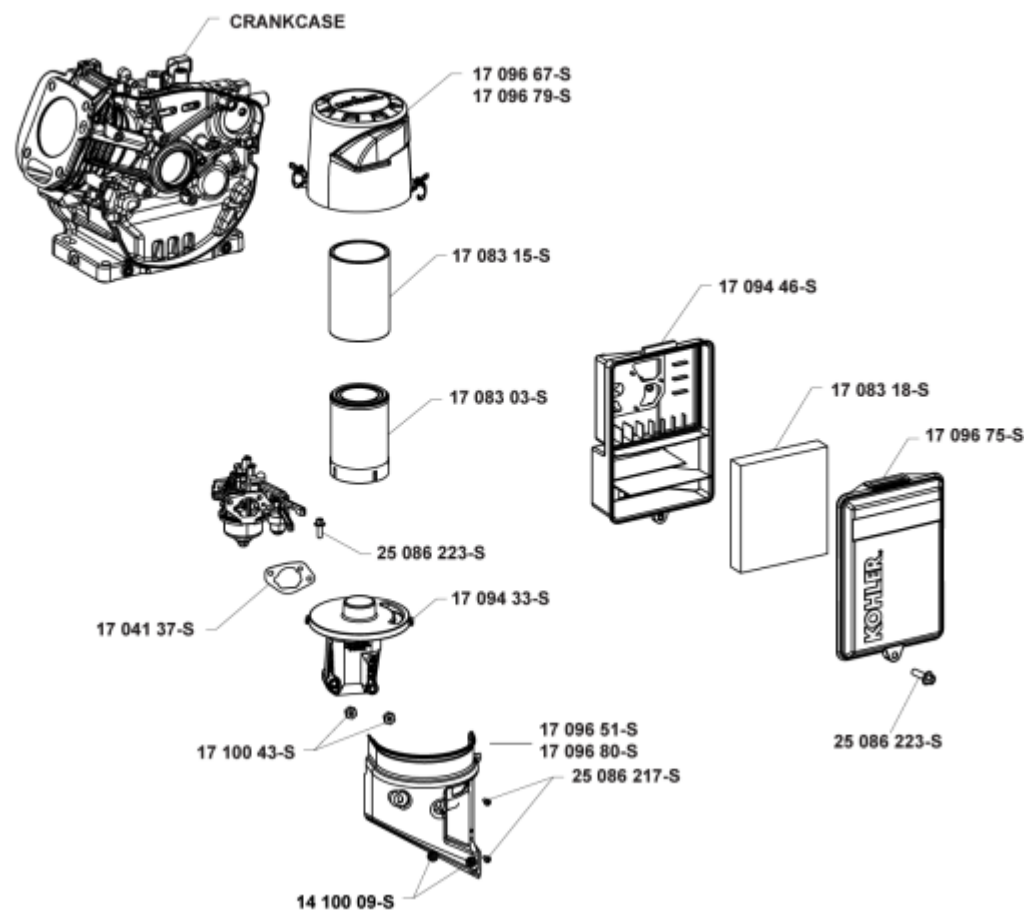


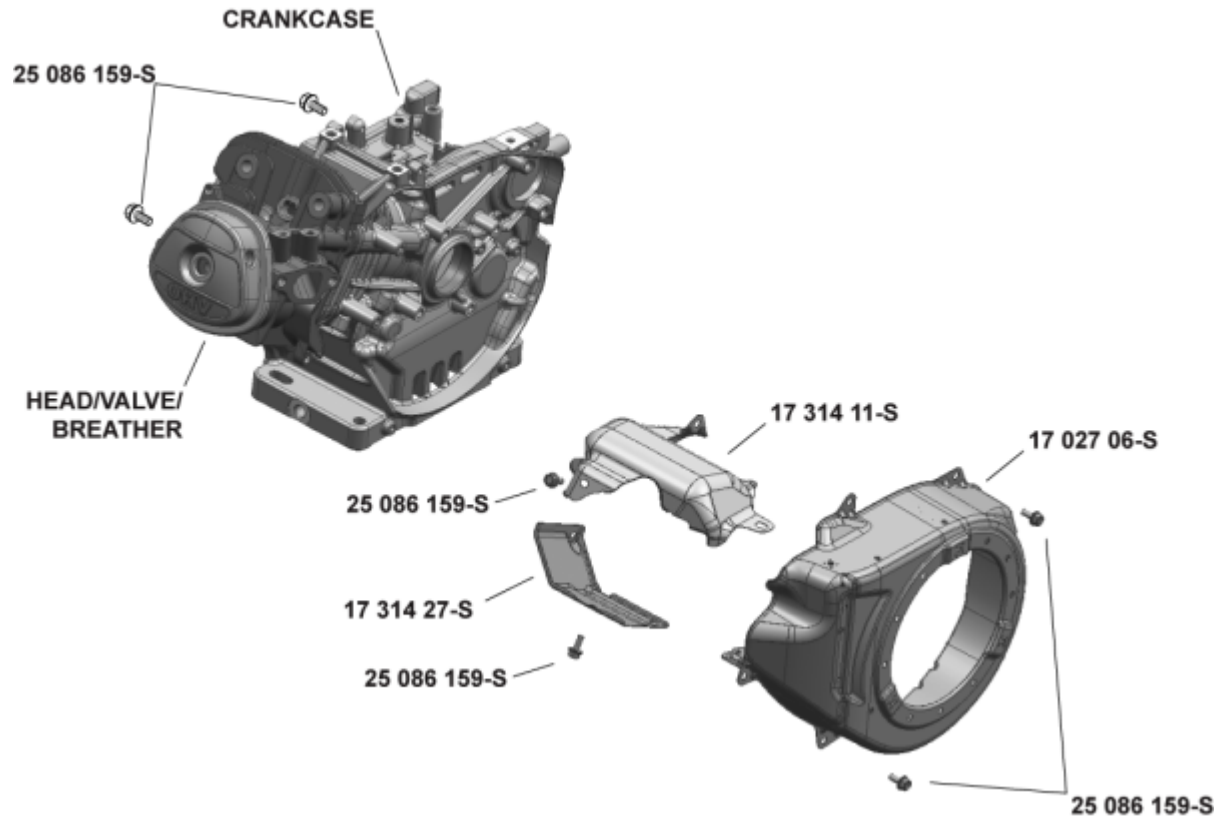
AIR INTAKE GROUP



## Air Intake/Filtration

Ref #	Part	Description	Qty
	17 094 33-S	BASE ASSY, AIR CLEANER CYCLONIC	1
	17 083 03-S	ELEMENT, AIR FILTER	1
	25 086 223-S	SCREW, M6 X18	1
	17 096 80-S	A/C COVER BASE CH395	1
	14 100 09-S	NUT, HEX FLANGE LOCK (M6)	2
	17 100 43-S	NUT, HEX (M6 THREAD, M8 BODY)	2
	25 086 217-S	SCREW, COVR TO BLWR HOUSING	2
	17 096 67-S	A/C COVER ASSY-USE 17 096 79-S	1
	17 083 15-S	ELEMENT, PRE-CLEANER	1
	17 041 37-S	GASKET, AIR CLEANER	1

**BLOWER HOUSING & BAFFLES**

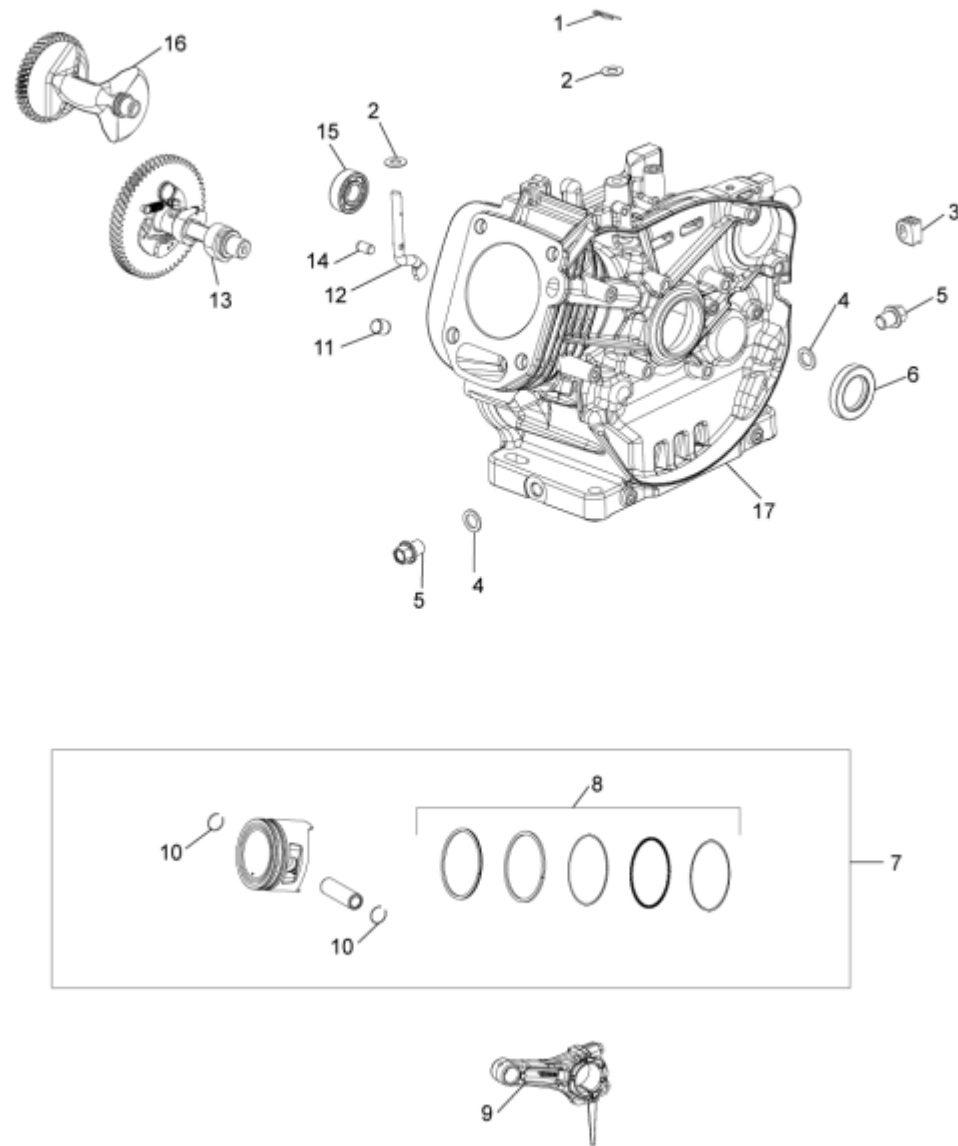


## Blower Housing &amp; Baffles

Ref #	Part	Description	Qty
	17 027 06-S	HOUSING, BLOWER ASSY-USE 17 027 53-S	1
	17 314 11-S	SHIELD, UPPER HEAT	1
	17 314 27-S	SHIELD, CYL HEAD	1
	25 086 159-S	SCREW, HEX FLANGE (M6) USE 25 086 433-S	8

Crankcase

CRANKCASE GROUP  
CH395

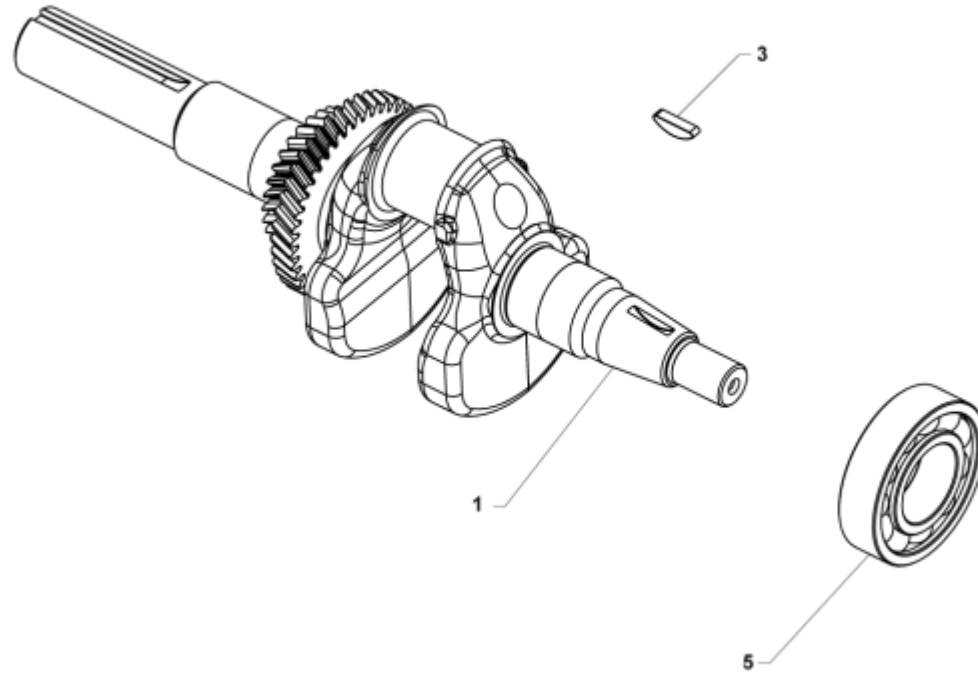


ILLUSTRATIONS ARE REPRESENTATIVE AND ARE NOT INTENDED TO SHOW ALL DETAILS FOR EACH COMPONENT

## Crankcase

Ref #	Part	Description	Qty
1	14 154 01-S	CLIP, GOVERNOR SHAFT	2
2	17 468 14-S	WASHER, FLAT	2
3	17 313 13-S	GROMMET, CRANKCASE	1
4	17 468 17-S	WASHER, DRAIN PLUG	2
5	17 139 05-S	KIT, DRAIN PLUG	2
6	17 032 16-S	SEAL, RADIAL SHAFT	1
7	17 874 04-S	KIT, PISTON USE 14 874 06-S	1
7	17 874 07-S	KIT, PISTON (0.25 O.S.)	1
8	17 108 02-S	RING SET (STD), TOP RING 2 mm (.079")	1
9	17 067 06-S	ROD, CONNECTING ASSY	1
10	14 018 03-S	RETAINER, PISTON PIN	2
11	17 380 16-S	PIN, DOWEL CYL HEAD	2
12	17 144 07-S	SHAFT, GOVERNOR CROSS	1
13	17 010 19-S	CAMSHAFT ASSY	1
14	17 380 21-S	PIN, DOWEL	2
15	17 030 09-S	BEARING, BALANCE SHAFT	1
16	17 144 13-S	SHAFT, BALANCE	1
17	17 561 30-S	CRANKCASE	1

**CRANKSHAFT GROUP  
CH395**



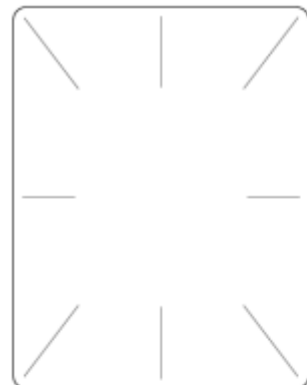
**ILLUSTRATIONS ARE REPRESENTATIVE AND ARE NOT INTENDED TO SHOW ALL DETAILS FOR EACH COMPONENT**

## Crankshaft

Ref #	Part	Description	Qty
1	17 014 74-S	CRANKSHAFT ASSY	1
3	14 340 01-S	KEY, FLYWHEEL	1
5	17 030 13-S	BEARING, CRANKSHAFT	1



DECALS



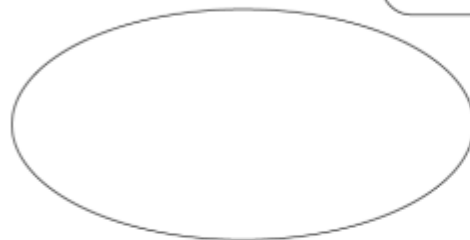
25 113 59-S

25 113 39-S



**⚠ WARNING**

17 113 16-S



17 113 33-S



17 113 45-S



17 113 24-S



17 113 23-S



25 113 57-S



25 113 55-S



17 113 25-S



25 113 56-S

25 450 05-S



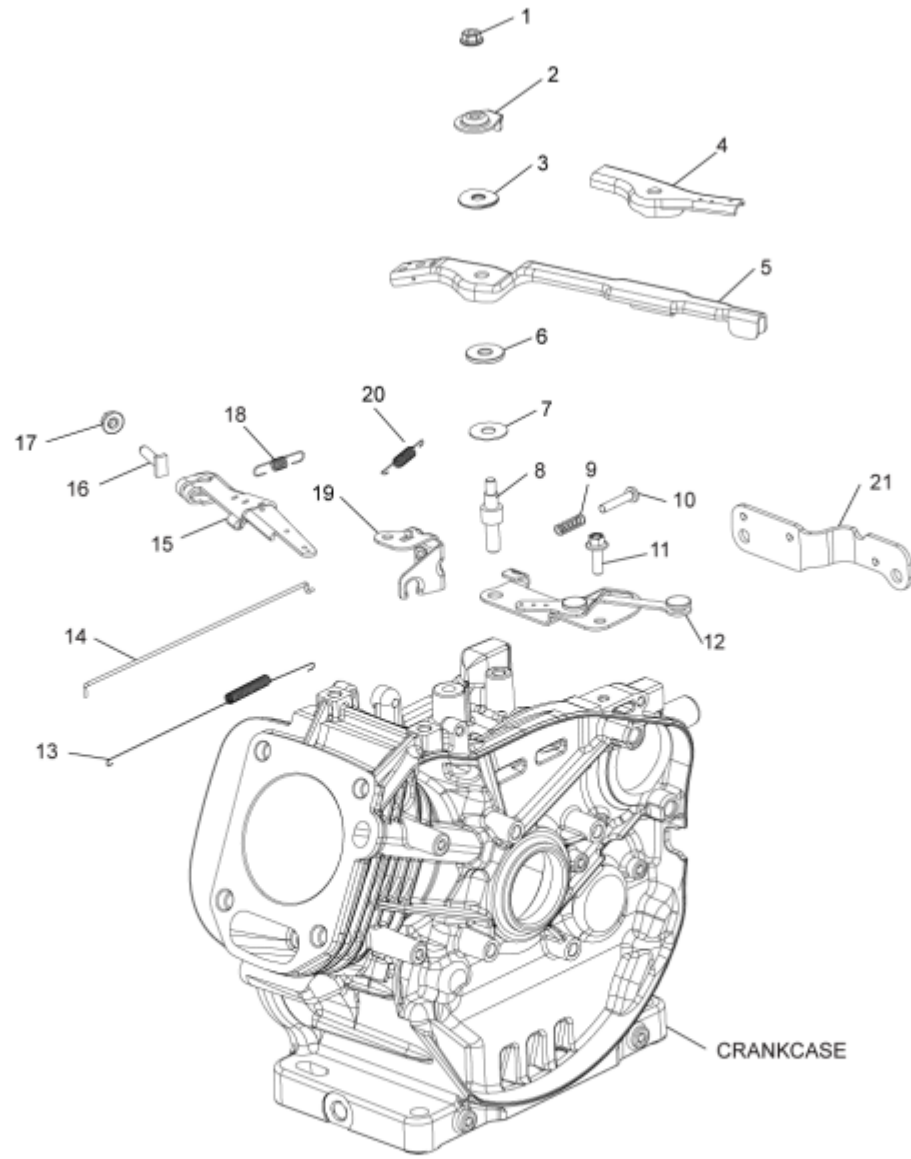
17 113 29-S

## Decals

Ref #	Part	Description	Qty
	25 113 39-S	DECAL, CLEAR LAMINATE	1
	17 113 33-S	DECAL, QUAD CLEAN	1
	17 113 16-S	DECAL, WARNING	1
	17 113 23-S	DECAL, SUN	1
	17 113 24-S	DECAL, SNOW FLAKE	1
	17 113 25-S	DECAL, BASE ARROW	1
	25 113 55-S	DECAL, CANADIAN COMPLIANCE	1
	25 113 56-S	DECAL, THROTTLE	1
	25 113 57-S	DECAL, FUEL SHUT OFF & CHOKE	1
	25 113 59-S	DECAL, MAINTENANCE	1
	17 113 29-S	DECAL, HORSEPOWER	1
	17 113 45-S	DECAL, RECOIL	1

Engine Controls

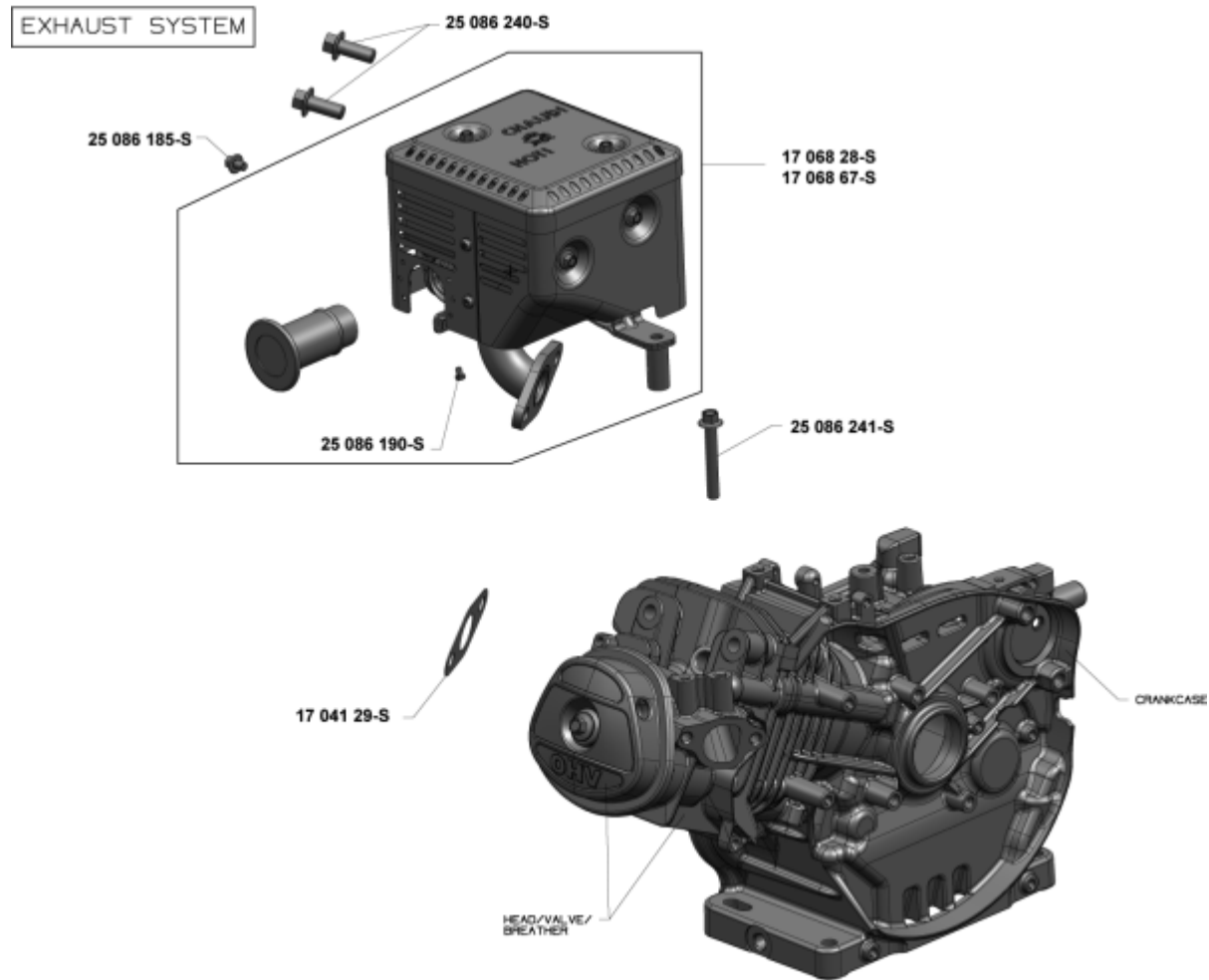
ENGINE CONTROLS GROUP  
CH395



Engine Controls

Ref #	Part	Description	Qty
1	14 100 09-S	NUT, HEX FLANGE LOCK (M6)	1
2	17 468 34-S	WASHER, CONTROL LEVER	1
3	25 468 17-S	WASHER, SPRING	1
5	17 090 22-S	CONTROL LEVER ASSY	1
6	25 468 15-S	WASHER, NYLON CONTROL LEVER	1
7	17 468 19-S	WASHER, FLAT	1
8	17 072 11-S	STUD, CONTROL LEVER	1
9	17 089 36-S	SPRING, COMPRESSION	1
10	25 086 242-S	SCREW, SPEED ADJUSTING	2
11	25 086 223-S	SCREW, M6 X18	1
12	17 126 49-S	BRACKET, CONTROLS ASSY	1
13	17 089 59-S	SPRING, LINKAGE	1
14	17 079 02-S	LINKAGE, GOVERNOR	1
15	17 090 54-S	KIT, GOVERNOR LEVER	1
16	25 086 166-S	SCREW, RECTANGLE HEAD (M6)	2
17	14 100 08-S	USE 14 100 16-S NUT, HEX FLANGE (M6)	1
18	17 089 11-S	SPRING, GOVERNOR	1
20	17 089 34-S	SPRING, THROTTLE RETURN	1
	17 237 13-S	KIT, CABLE CLAMP (BARREL CONNECTOR) NOT ILLUSTRATED	1

# Exhaust

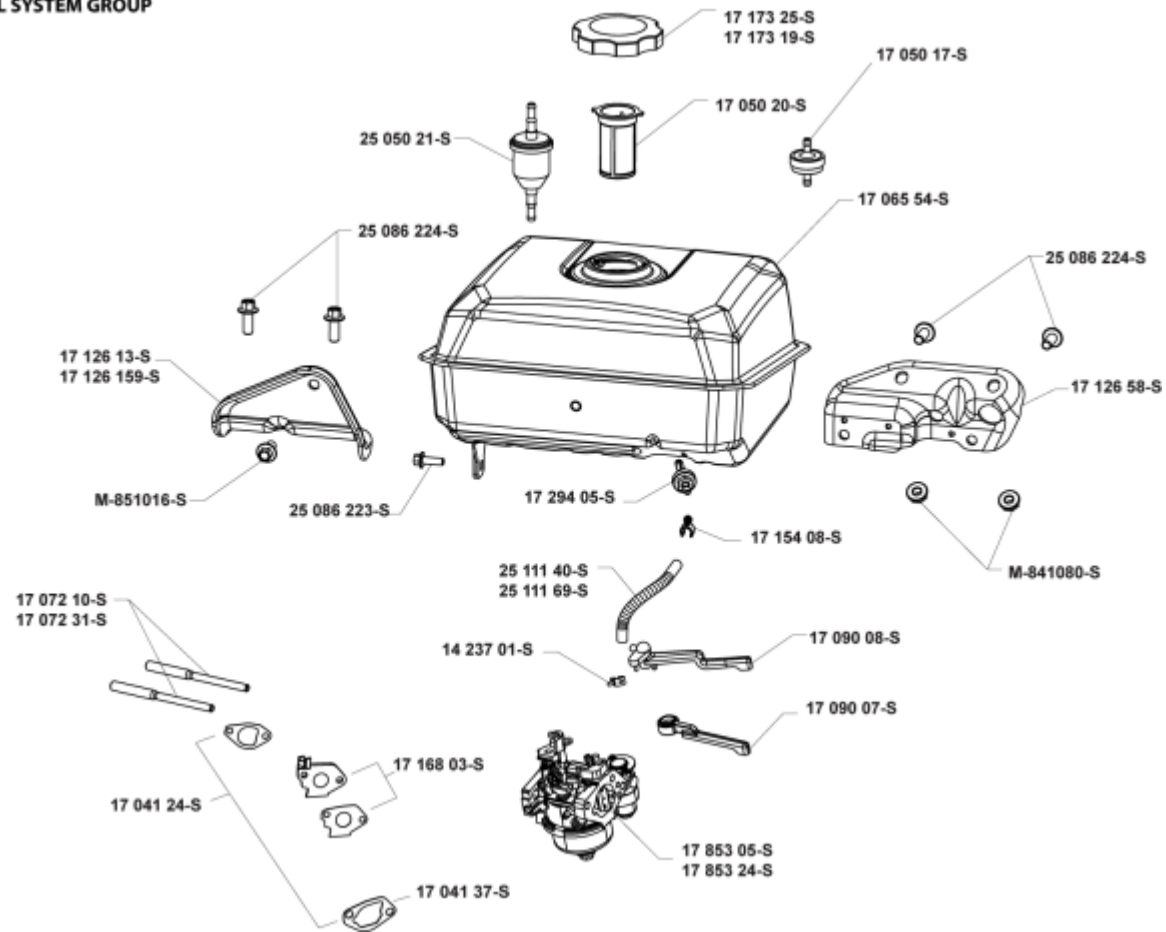


## Exhaust

Ref #	Part	Description	Qty
	17 041 29-S	GASKET, MUFFLER	1
	25 086 241-S	SCREW, M8 X 55	1
	17 068 67-S	MUFFLER ASSY W/HEAT SHIELD	1
	17 730 03-S	KIT, MUFFLER DEFELECTOR ASSY NOT ILLUSTRATED	1
	25 086 190-S	SCREW, SPARK ARRESTOR	1
	25 086 185-S	SCREW, M6 X 8 HEX FLANGE HEAD	4
	25 086 240-S	SCREW, M10 X 25 (CKY)	2

# Fuel System

## FUEL SYSTEM GROUP

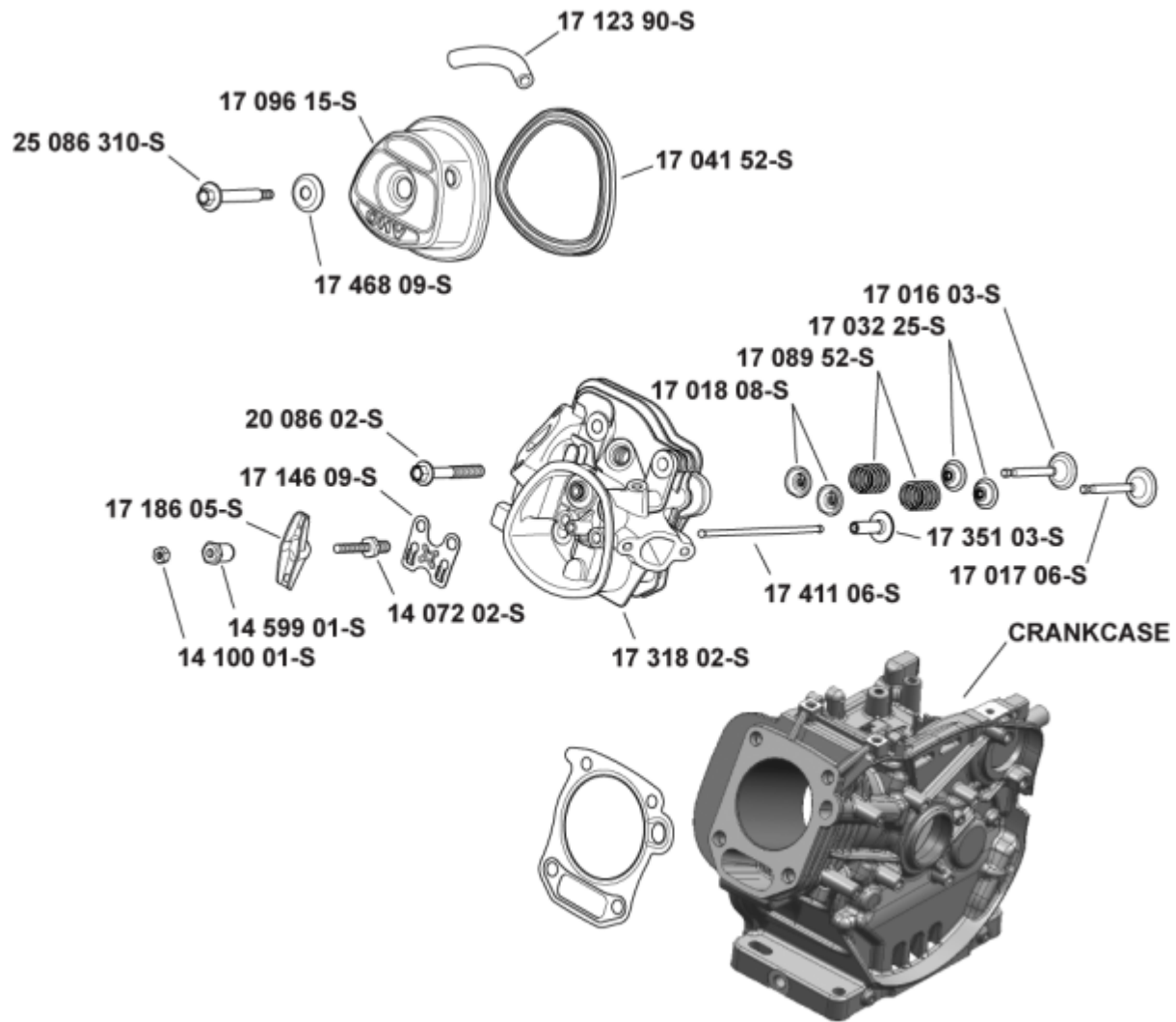


Fuel System

Ref #	Part	Description	Qty
	17 050 20-S	FUEL FILTER TANK	1
	25 086 224-S	SCREW, M8 X 20	4
	17 126 58-S	BRACKET, FUEL SUPPORT ASSY	1
	17 294 05-S	FITTING, FUEL ASSY	1
	17 154 08-S	CLIP, FUEL HOSE	1
	25 111 40-S	LINE, FUEL (10"-CUT TO LENGTH)	1
	17 853 05-S	KIT, CARBURETOR (INCLUDES 17 041 03-S) (FOR SERVICE USE 14 757 01-S)	1
	17 072 10-S	STUD, CARBURETOR	2
	17 126 13-S	BRACKET,FUEL SUPPORT-USE 17 126 159-S	1
	M-851016-S	SCREW, FLG 8X1.25X16	1
	25 086 223-S	SCREW, M6 X18	1
	14 237 01-S	CLAMP, FUEL LINE	2
	M-841080-S	NUT, FLG M8X1.25	2
	17 173 19-S	CAP, EVAPORATIVE EMISSIONS	1
	17 065 54-S	TANK, FUEL ASSY	
	17 090 08-S	LEVER, CHOKE	1
	17 090 07-S	LEVER, FUEL SHUTOFF	1
	17 041 24-S	KIT, INTAKE GASKETS	1
	17 168 03-S	KIT, INSULATOR	1
	17 041 37-S	GASKET, AIR CLEANER	1



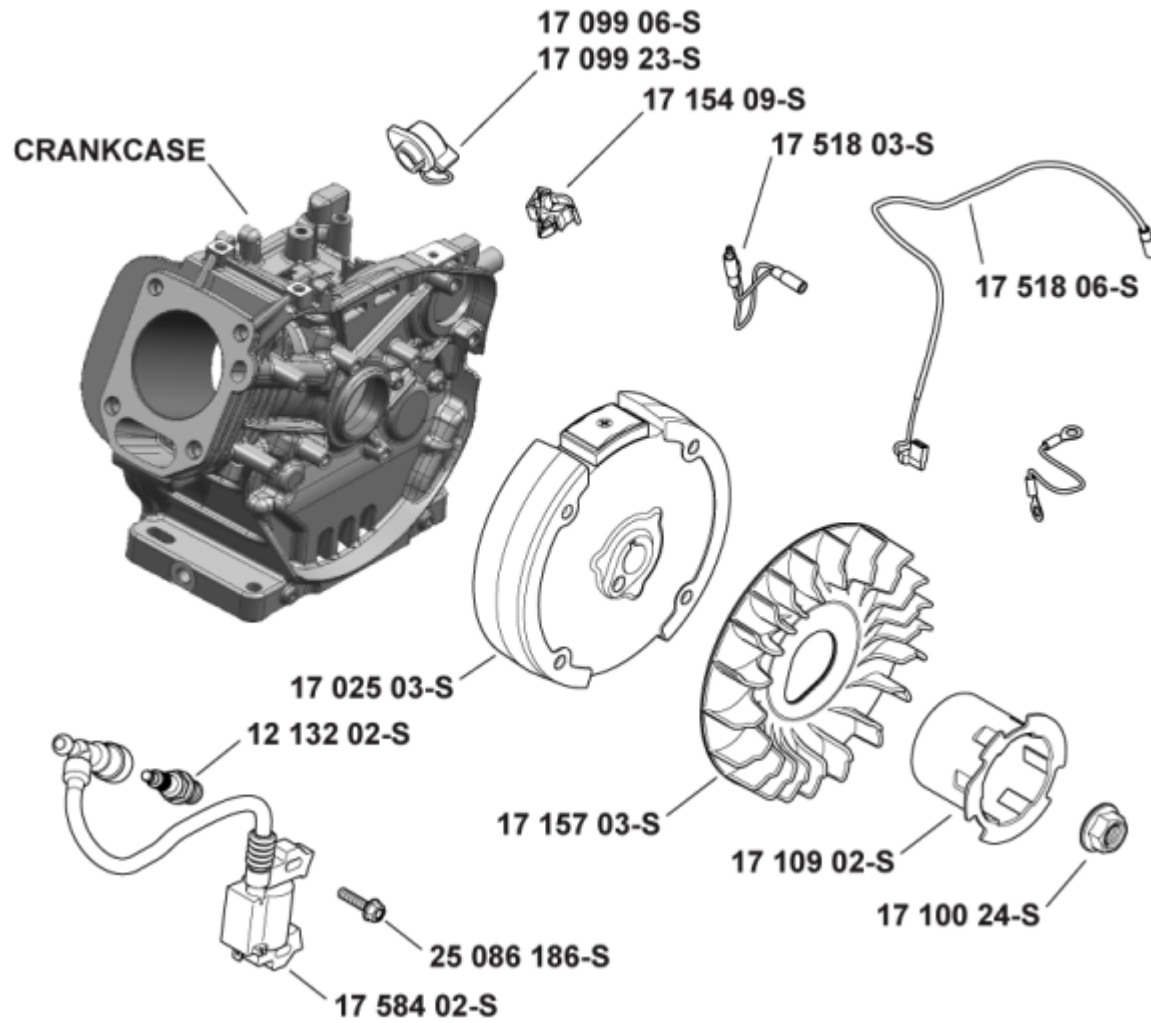
### HEAD/VALVE/BREATHER



## Head/Valve/Breather

Ref #	Part	Description	Qty
	17 318 02-S	KIT, CYL HEAD (INCLUDES 25 086 240-S)	1
	17 096 15-S	KIT, VALVE COVER ASSY (INCLUDES 17 041 52-S, 17 096 15-S, 17 468 09-S)	1
	17 041 52-S	GASKET, VALVE COVER	1
	25 086 310-S	SCREW, VALVE COVER SEAL ASSY	1
	17 017 06-S	VALVE, INTAKE	1
	17 016 03-S	VALVE, EXHAUST	1
	17 032 25-S	SEAL, VALVE STEM	2
	17 089 52-S	SPRING, VALVE	2
	17 018 08-S	RETAINER, VALVE SPRING	2
	17 351 03-S	LIFTER, VALVE	2
	17 411 06-S	PUSH ROD	2
	17 146 09-S	PLATE, PUSHROD GUIDE	1
	14 072 02-S	STUD, ROCKER ARM USE 14 072 22-S	2
	17 186 05-S	ARM, ROCKER	2
	14 599 01-S	PIVOT, ROCKER ARM	2
	14 100 01-S	NUT, HEX JAM	2
	17 041 24-S	KIT, INTAKE GASKETS NOT ILLUSTRATED (INCLUDES AIR CLEANER BASE GASKET, INSULATOR TO CYLINDER HEAD GASKET, CARBURETOR TO INSULATOR GASKET)	2
	17 168 03-S	KIT, INSULATOR NOT ILLUSTRATED	1
	17 072 10-S	STUD, CARBURETOR NOT ILLUSTRATED	2
	17 123 90-S	TUBE, BREATHER	1
	17 841 22-S	KIT, HEAD GASKET NOT ILLUSTRATED	1
	20 086 02-S	SCREW, CYL HEAD (M10 X 80)	4

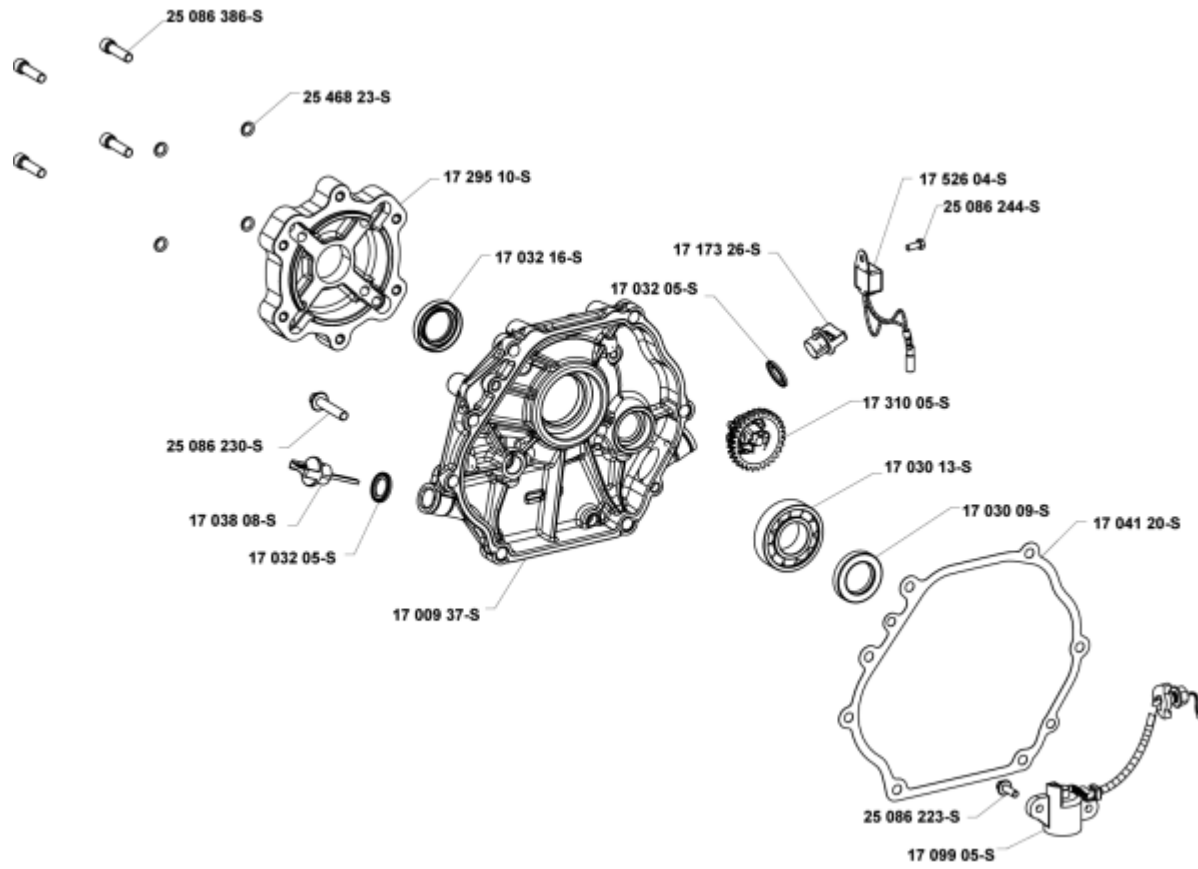
## IGNITION/ELECTRICAL



## Ignition/Electrical

Ref #	Part	Description	Qty
	17 154 09-S	CLIP, WIRE HARNESS	1
	17 518 03-S	LEAD, OPTIONAL EQUIPMENT	1
	17 518 06-S	LEAD, GROUND TO KILL	1
	17 025 03-S	FLYWHEEL ASSY,CAST IRON (RECOIL)	1
	12 132 02-S	SPARK PLUG (STD)	1
	17 157 03-S	FAN, FLYWHEEL	1
	17 100 24-S	NUT, FLYWHEEL	1
	25 086 186-S	SCREW, M6 X 25	2
	17 584 02-S	MODULE, SPARK PLUG ASSY	1
	17 099 23-S	SWITCH, IGNITION (ON/OFF) - USE 17 099 24-S	1
	17 109 07-S	CUP, STARTER DRIVE	1

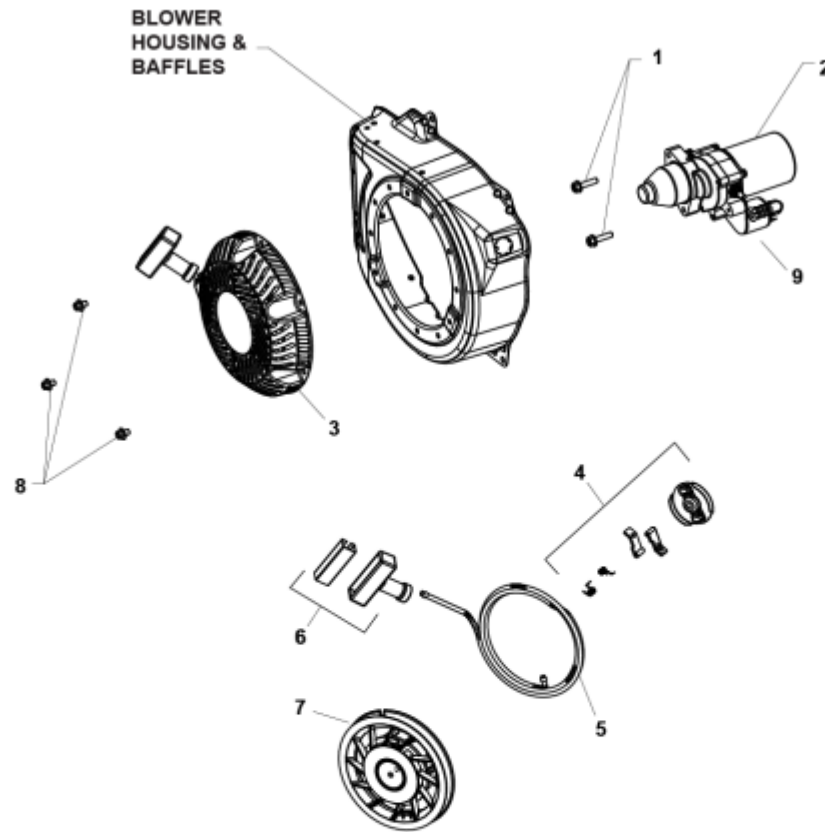
Oil Pan/Lubrication



## Oil Pan/Lubrication

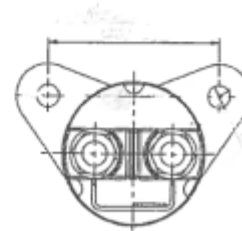
Ref #	Part	Description	Qty
	17 032 05-S	OIL SEAL - USE 17 038 08-S	2
	17 173 26-S	CAP ASSY, OIL FILL (INCLUDES 17 032 05-S)	1
	17 310 05-S	GOVERNOR, ASSY	
	17 030 09-S	BEARING, BALANCE SHAFT	1
	17 041 20-S	GASKET, CLOSURE PLATE	1
	17 038 08-S	DIPSTICK ASSY	1
	17 032 16-S	SEAL, RADIAL SHAFT	1
	25 086 230-S	SCREW, CLOSURE PLATE (CKY)	7
	25 086 244-S	SCREW, HEX/PHILLIPS M5	1
	17 099 05-S	SWITCH, OIL SENSOR ASSY	1
	25 086 223-S	SCREW, M6 X18	2
	17 009 37-S	KIT, CLOSURE PLATE ASSY	1
	17 526 04-S	CONTROL, OIL ALERT UNIT	1
	17 030 13-S	BEARING, CRANKSHAFT	1

**STARTING GROUP  
CH395**



Identify Starter Solenoid/Relay based on Mounting Hole Spacing (See Diagram)

- 17 435 05-S Solenoid has a 1.65" (42.0 mm) Hole Spacing
- 17 435 06-S Solenoid has a 1.39" (35.5 mm) Hole Spacing



## Starting System

Ref #	Part	Description	Qty
3	17 165 12-S	RETRACTABLE STARTER ASSY	1
4	17 379 03-S	KIT, PAWL REPAIR	1
5	17 160 02-S	KIT, ROPE	1
6	17 166 06-S	KIT, HANDLE	1
7	17 093 03-S	PULLEY, RECOIL	1
8	25 086 304-S	SCREW, M6 X 8 HEX FLANGE HEAD	3