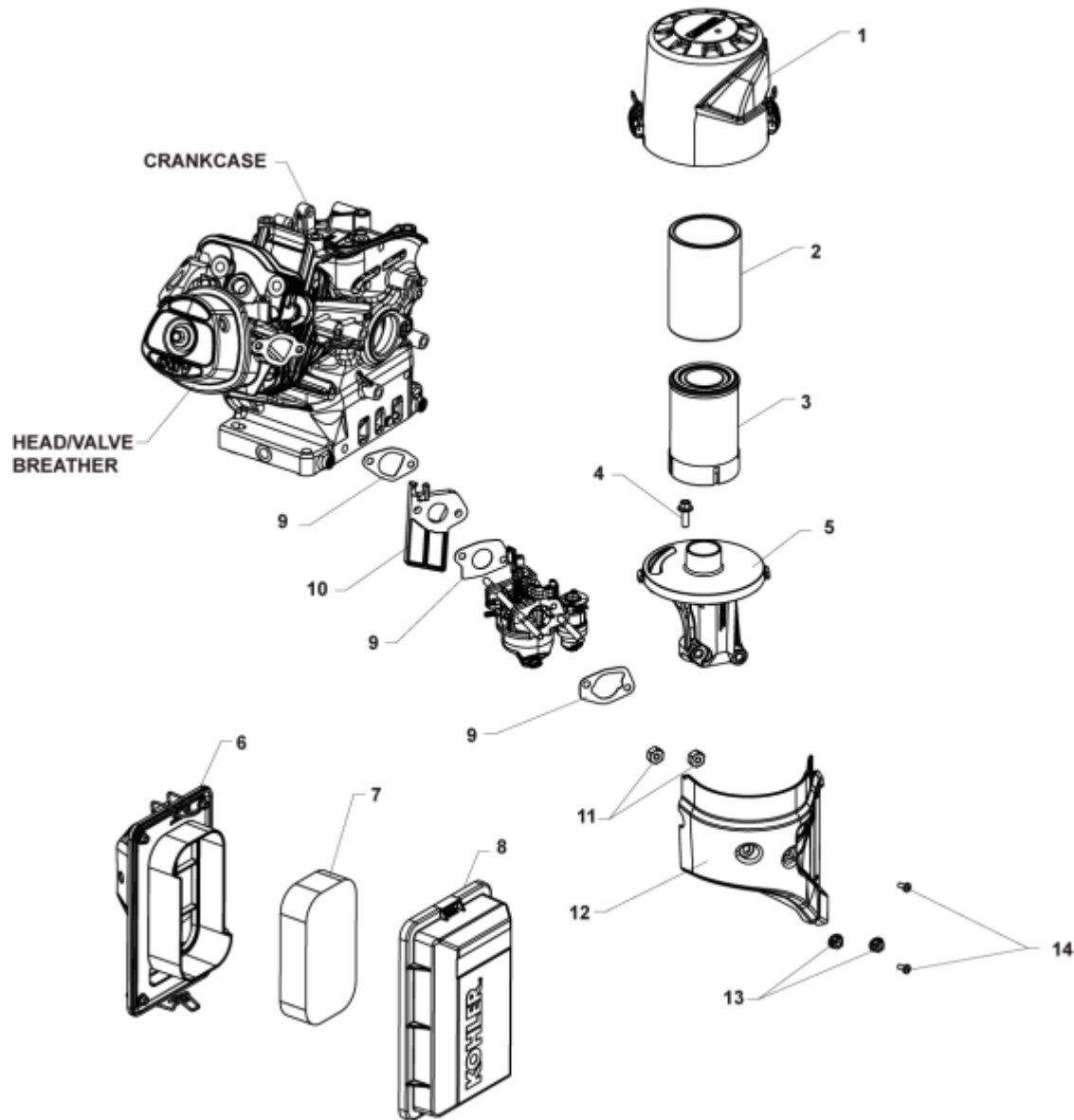


**AIR INTAKE GROUP  
CH270**

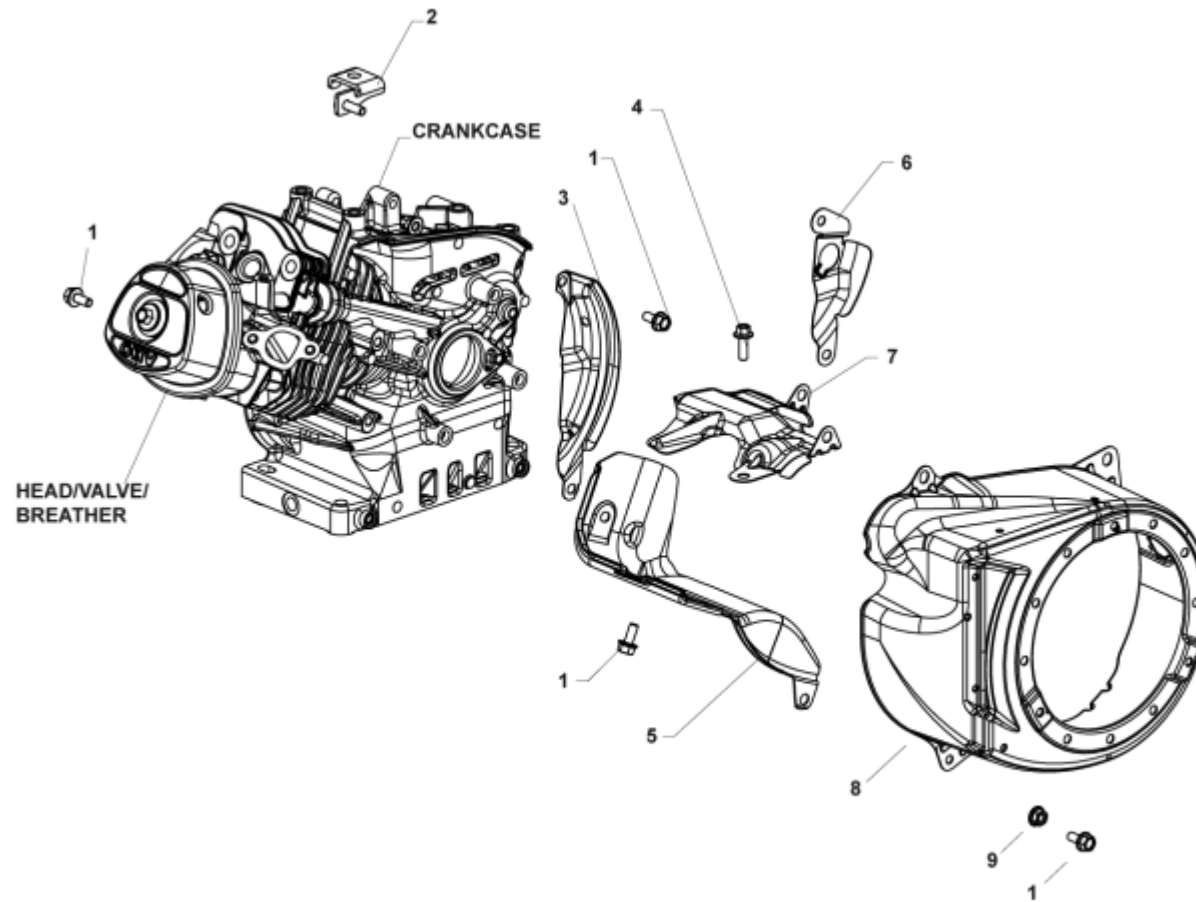


**ILLUSTRATIONS ARE REPRESENTATIVE AND ARE NOT INTENDED TO SHOW ALL DETAILS FOR EACH COMPONENT**

## Air Intake Group - CH270-0012

Ref #	Part	Description	Qty
1	17 096 41-S	A/C COVER ASSY	1
4	25 086 223-S	SCREW, M6 X18	1
5	17 094 24-S	KIT, AIR CLEANER BASE ASSY	1
9	17 041 03-S	KIT, INTAKE GASKET	3
10	17 168 05-S	KIT, CARBURETOR INSULATOR	1
11	17 100 43-S	NUT, HEX (M6 THREAD, M8 BODY)	2
12	17 096 04-S	A/C COVER BASE SHIELD	1
13	14 100 09-S	NUT, HEX FLANGE LOCK (M6)	2
14	25 086 217-S	SCREW, COVR TO BLWR HOUSING	2

**BLOWER HOUSING GROUP  
CH270**

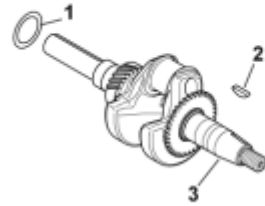


**ILLUSTRATIONS ARE REPRESENTATIVE AND ARE NOT INTENDED TO SHOW ALL DETAILS FOR EACH COMPONENT**

## Blower Housing Group - CH270-0012

Ref #	Part	Description	Qty
1	25 086 159-S	SCREW, HEX FLANGE (M6) USE 25 086 433-S	4
3	17 314 02-S	SHIELD, FLYWHEEL	1
4	25 086 223-S	SCREW, M6 X18	1
5	17 314 92-S	SHIELD, CYL HEAD	1
7	17 314 08-S	SHIELD, UPPER HEAT	1
8	17 027 09-S	HOUSING, BLOWER ASSY	1
9	14 100 08-S	USE 14 100 16-S NUT, HEX FLANGE (M6)	1

**CRANKSHAFT GROUP  
CH270**

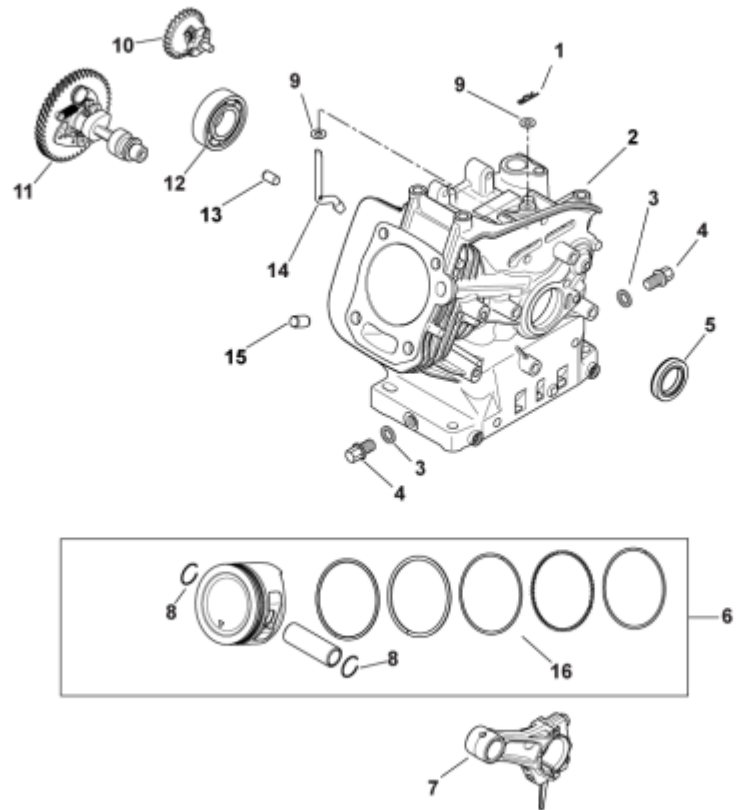


**ILLUSTRATIONS ARE REPRESENTATIVE AND ARE NOT INTENDED TO SHOW ALL DETAILS FOR EACH COMPONENT**

## Crankshaft Group - CH270-0012

Ref #	Part	Description	Qty
1	17 422 06-S	KIT, THRUST SHIM	1
2	14 340 01-S	KEY, FLYWHEEL	1
3	17 014 98-S	CRANKSHAFT ASSY	1

**CRANKCASE GROUP  
CH270**



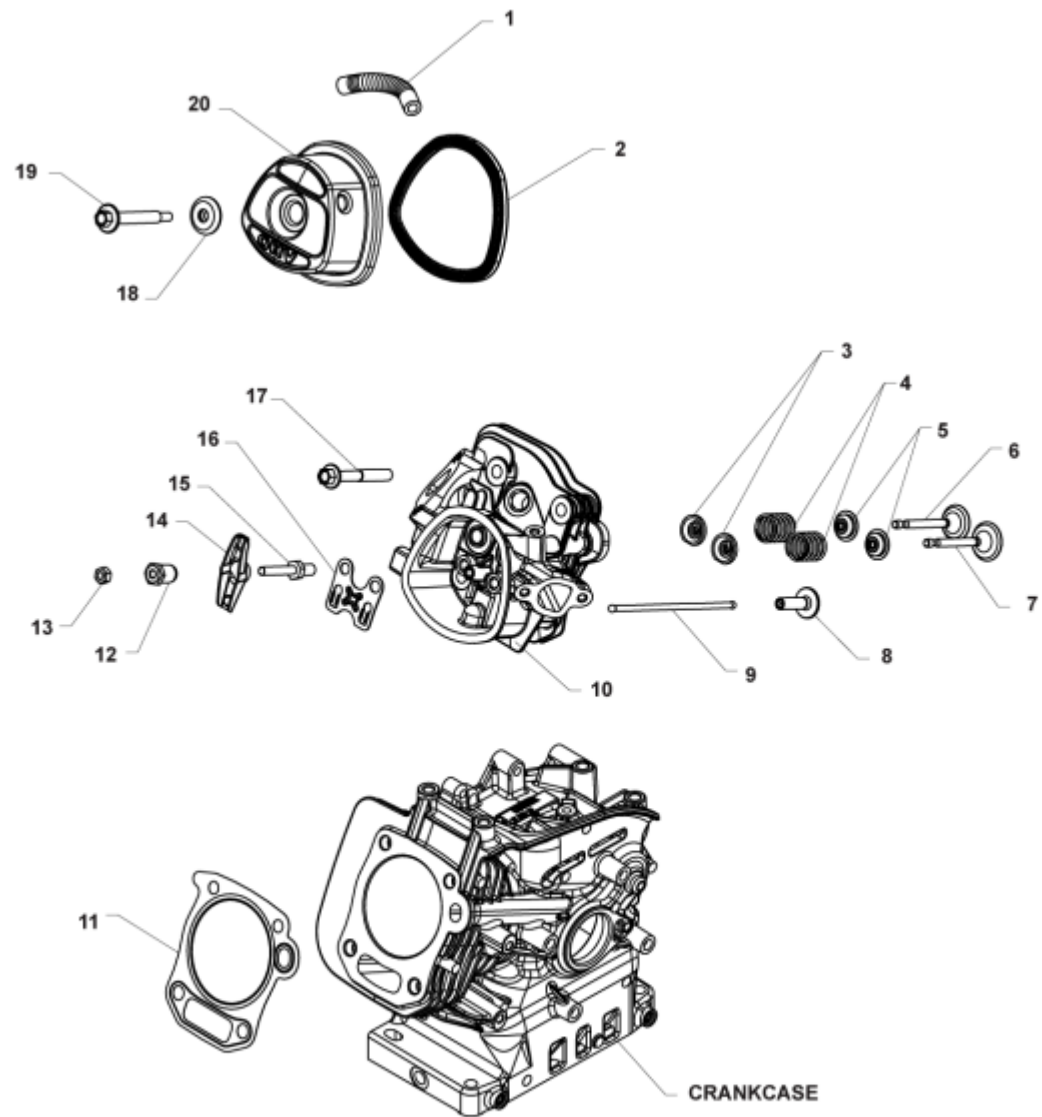
**ILLUSTRATIONS ARE REPRESENTATIVE AND ARE NOT INTENDED TO SHOW ALL DETAILS FOR EACH COMPONENT**

## Crankcase Group - CH270-0012

Ref #	Part	Description	Qty
1	14 154 01-S	CLIP, GOVERNOR SHAFT	1
2	17 260 08-S	CRANKCASE ASSY	1
3	17 468 01-S	WASHER, DRAIN PLUG USE 18 468 01-S	2
4	17 139 01-S	KIT, DRAIN PLUG	2
5	17 032 30-S	SEAL, OIL	1
6	17 874 10-S	KIT, PISTON	1
6	17 874 13-S	KIT, PISTON (0.25 O.S.)	1
7	17 067 01-S	ROD, CONNECTING ASSY	1
8	14 018 03-S	RETAINER, PISTON PIN	1
9	17 468 21-S	WASHER, FLAT (13MM OD)	1
10	17 310 01-S	GOVERNOR ASSY	1
11	17 010 04-S	CAMSHAFT ASSY	1
12	17 030 12-S	BEARING, BALL	1
13	17 380 21-S	PIN, DOWEL	1
14	17 144 02-S	SHAFT, GOVERNOR CROSS	1
15	14 380 06-S	USE 14 380 13-S DOWEL, CYL HEAD	1
16	14 108 02-S	RING SET	1
16	17 108 09-S	RING SET (0.25 O.S.)	1



**CYLINDER HEAD/BREATHER GROUP  
CH270**

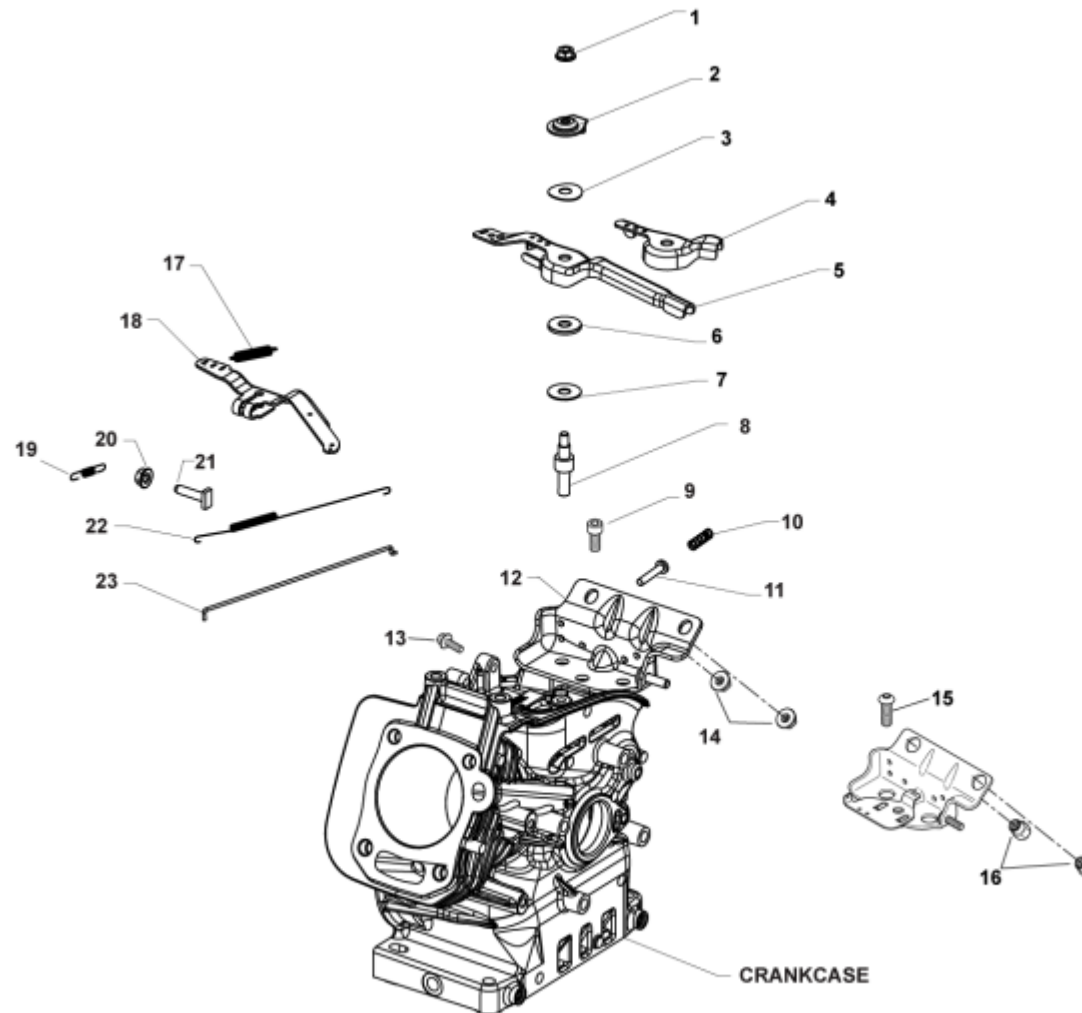


**ILLUSTRATIONS ARE REPRESENTATIVE AND ARE NOT INTENDED TO SHOW ALL DETAILS FOR EACH COMPONENT**

## Cylinder Head/Breather Group - CH270-0012

Ref #	Part	Description	Qty
1	17 123 89-S	TUBE, BREATHER USE 18 123 13-S	1
2	17 041 47-S	GASKET, VALVE COVER	1
3	14 018 02-S	RETAINER, VALVE SPRING	2
4	17 089 04-S	SPRING, VALVE	2
5	17 032 06-S	SEAL, VALVE STEM	2
6	17 016 05-S	VALVE, EXHAUST USE 17 755 27-S	1
7	17 017 01-S	VALVE, INTAKE - USE 17 755 27-S	1
8	17 351 04-S	LIFTER, VALVE	1
9	14 411 01-S	ROD, PUSH	2
10	17 318 04-S	KIT, HEAD ASSY	1
11	17 841 01-S	KIT, HEAD GASKET	1
12	14 599 01-S	PIVOT, ROCKER ARM	1
13	14 100 01-S	NUT, HEX JAM	1
14	14 186 02-S	ARM, ROCKER	2
15	14 072 02-S	STUD, ROCKER ARM USE 14 072 22-S	2
16	17 146 01-S	PLATE, PUSHROD GUIDE	1
17	25 086 215-S	SCREW, HEX FLANGE CYL HEAD	1
19	25 086 310-S	SCREW, VALVE COVER SEAL ASSY	1
20	17 096 08-S	KIT, VALVE COVER	1
	14 755 02-S	KIT, VALVE TRAIN NOT ILLUSTRATED	1

**ENGINES CONTROLS GROUP  
CH270**

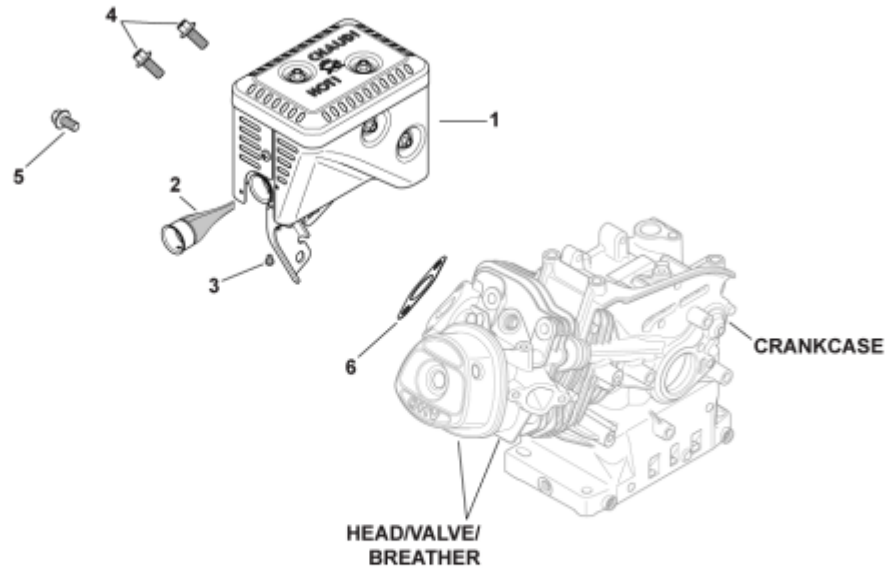


**ILLUSTRATIONS ARE REPRESENTATIVE AND ARE NOT INTENDED TO SHOW ALL DETAILS FOR EACH COMPONENT**

## Engine Controls Group - CH270-0012

Ref #	Part	Description	Qty
1	14 100 09-S	NUT, HEX FLANGE LOCK (M6)	1
2	17 468 34-S	WASHER, CONTROL LEVER	1
3	25 468 17-S	WASHER, SPRING	1
5	17 090 36-S	LEVER, CONTROL THROTTLE	1
6	25 468 15-S	WASHER, NYLON CONTROL LEVER	1
7	17 468 19-S	WASHER, FLAT	1
8	17 072 11-S	STUD, CONTROL LEVER	1
9	25 086 253-S	SCREW, HEX SOCKET HD CAP (CKY)	1
10	17 089 36-S	SPRING, COMPRESSION	1
11	25 086 242-S	SCREW, SPEED ADJUSTING	1
12	17 126 117-S	BRACKET, FUEL AND CONTROLS	1
13	25 086 223-S	SCREW, M6 X18	1
14	M-841080-S	NUT, FLG M8X1.25	1
17	17 089 58-S	SPRING, THROTTLE RETURN	1
18	17 090 15-S	KIT, GOVERNOR LEVER	1
19	17 089 54-S	SPRING, GOVERNOR	1
20	14 100 08-S	USE 14 100 16-S NUT, HEX FLANGE (M6)	1
20	M-641060-S	NUT, FLG M6X1.0	1
21	25 086 166-S	SCREW, RECTANGLE HEAD (M6)	1
22	17 089 09-S	SPRING, LINKAGE	1
23	17 079 01-S	LINKAGE, GOVERNOR	1

**EXHAUST GROUP  
CH270**

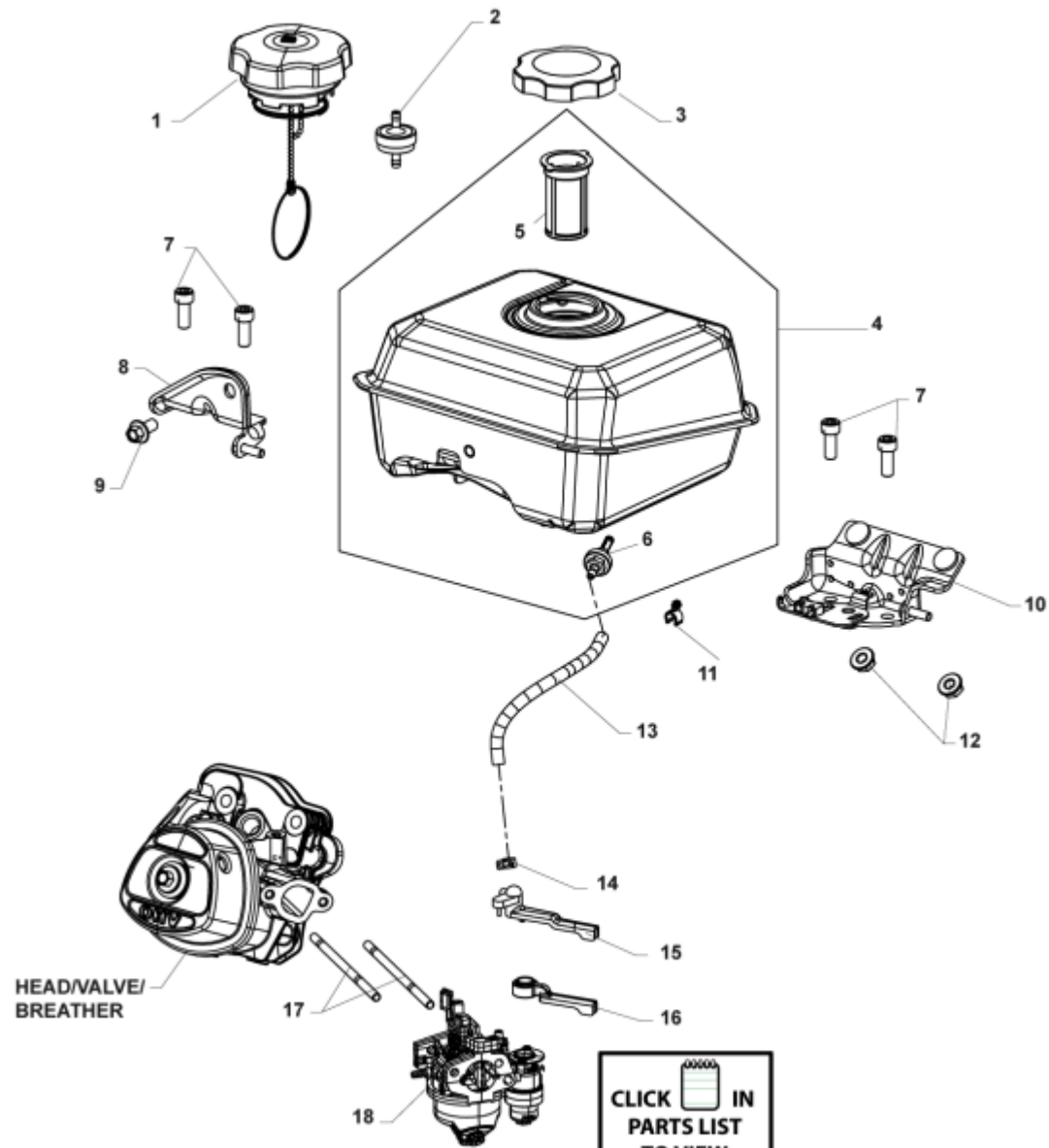


**ILLUSTRATIONS ARE REPRESENTATIVE AND ARE NOT INTENDED TO SHOW ALL DETAILS FOR EACH COMPONENT**

## Exhaust Group - CH270-0012

Ref #	Part	Description	Qty
1	17 068 55-S	KIT, MUFFLER	1
4	25 086 224-S	SCREW, M8 X 20	2
5	M-851016-S	SCREW, FLG 8X1.25X16	1
6	17 041 09-S	GASKET, MUFFLER	1

FUEL SYSTEM GROUP  
CH270



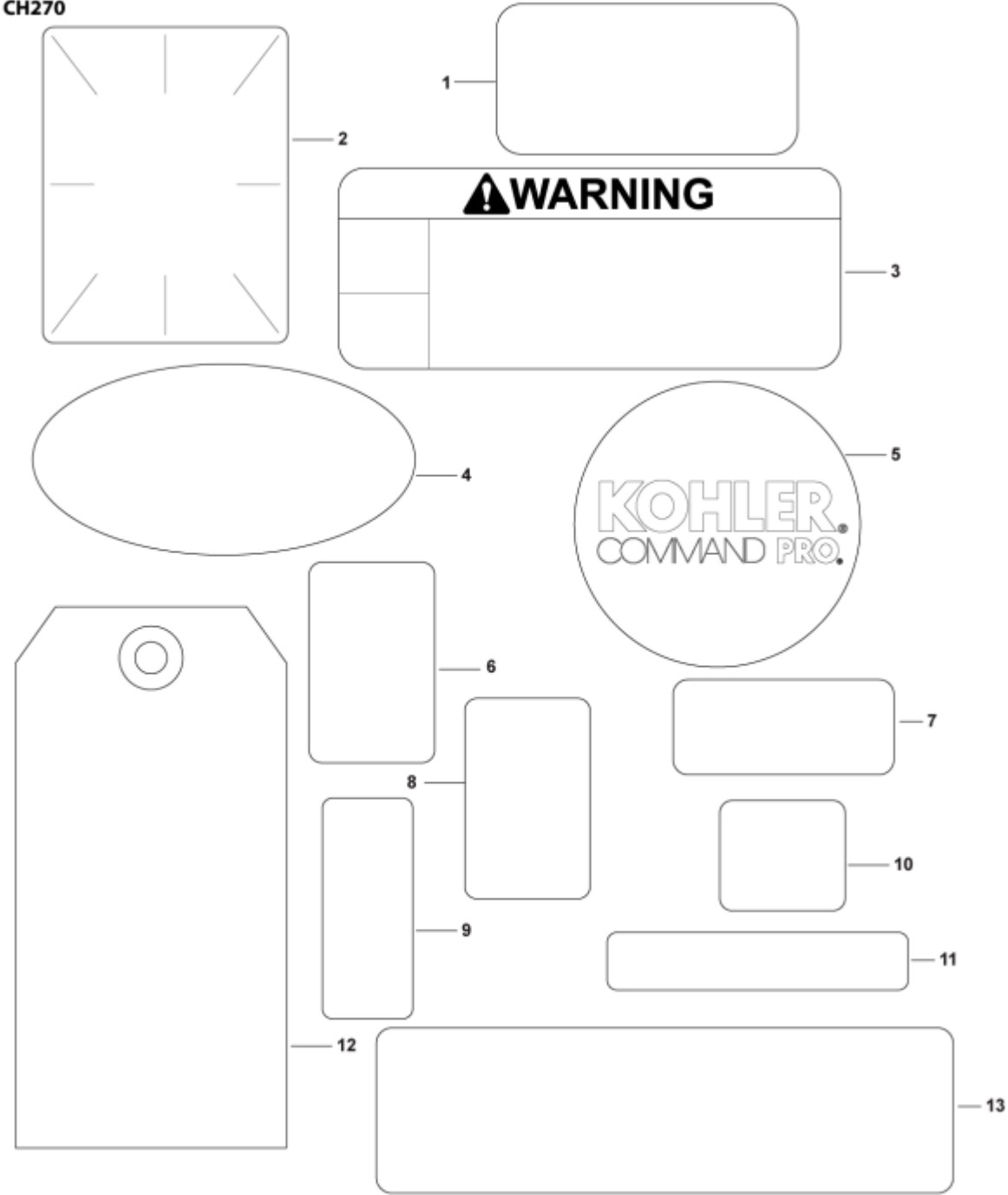
CLICK  IN  
PARTS LIST  
TO VIEW  
CARBURETOR  
REPAIR KITS

## Fuel System Group - CH270-0012

Ref #	Part	Description	Qty
3	17 173 25-S	CAP, FUEL TANK	1
4	17 065 53-S	TANK, ASSY FUEL	1
5	17 050 20-S	FUEL FILTER TANK	1
6	17 294 05-S	FITTING, FUEL ASSY	1
7	25 086 253-S	SCREW, HEX SOCKET HD CAP (CKY)	1
8	17 126 38-S	BRACKET ASSY, FUEL TANK	1
9	M-851016-S	SCREW, FLG 8X1.25X16	1
11	17 154 08-S	CLIP, FUEL HOSE	1
13	25 111 40-S	LINE, FUEL (10"-CUT TO LENGTH)	1
14	14 237 01-S	CLAMP, FUEL LINE	1
17	17 072 09-S	STUD, CARBURETOR	1
18	17 853 22-S	KIT, CARBURETOR ASSY	1



**IDENTIFICATION GROUP  
CH270**

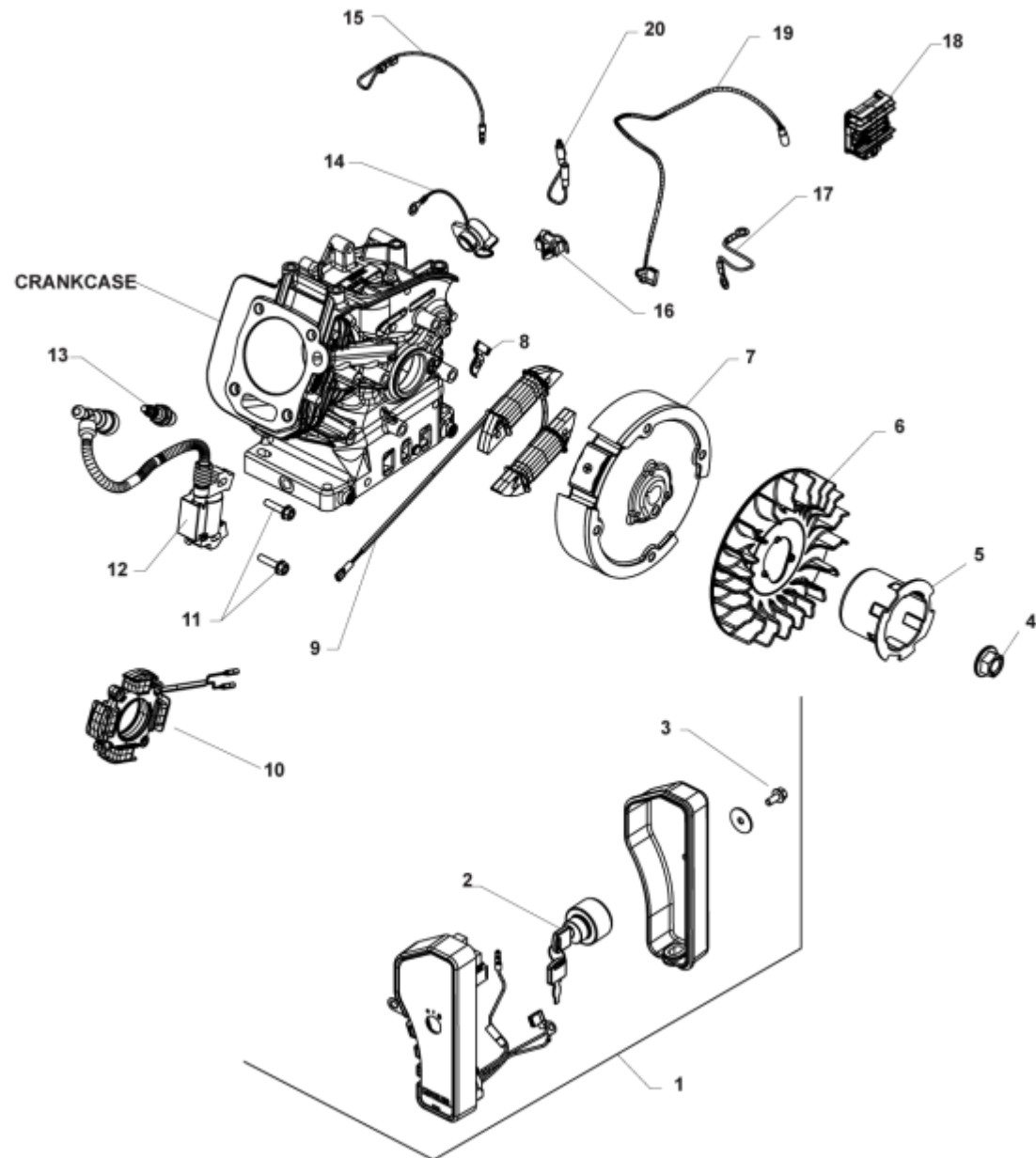


**ILLUSTRATIONS ARE REPRESENTATIVE AND ARE NOT INTENDED TO SHOW ALL DETAILS FOR EACH COMPONENT**

## Identification Group - CH270-0012

Ref #	Part	Description	Qty
1	25 113 59-S	DECAL, MAINTENANCE	1
2	25 113 39-S	DECAL, CLEAR LAMINATE	1
3	17 113 16-S	DECAL, WARNING	1
4	17 113 33-S	DECAL, QUAD CLEAN	1
5	17 113 14-S	DECAL, RECOIL	1
6	17 113 24-S	DECAL, SNOW FLAKE	1
7	25 113 55-S	DECAL, CANADIAN COMPLIANCE	1
8	17 113 23-S	DECAL, SUN	1
9	25 113 57-S	DECAL, FUEL SHUT OFF & CHOKE	1
10	17 113 25-S	DECAL, BASE ARROW	1
11	25 113 56-S	DECAL, THROTTLE	1
12	25 450 05-S	TAG, HANG	1
13	17 113 27-S	DECAL, 7 HP	1

**IGNITION/CHARGING GROUP  
CH270**

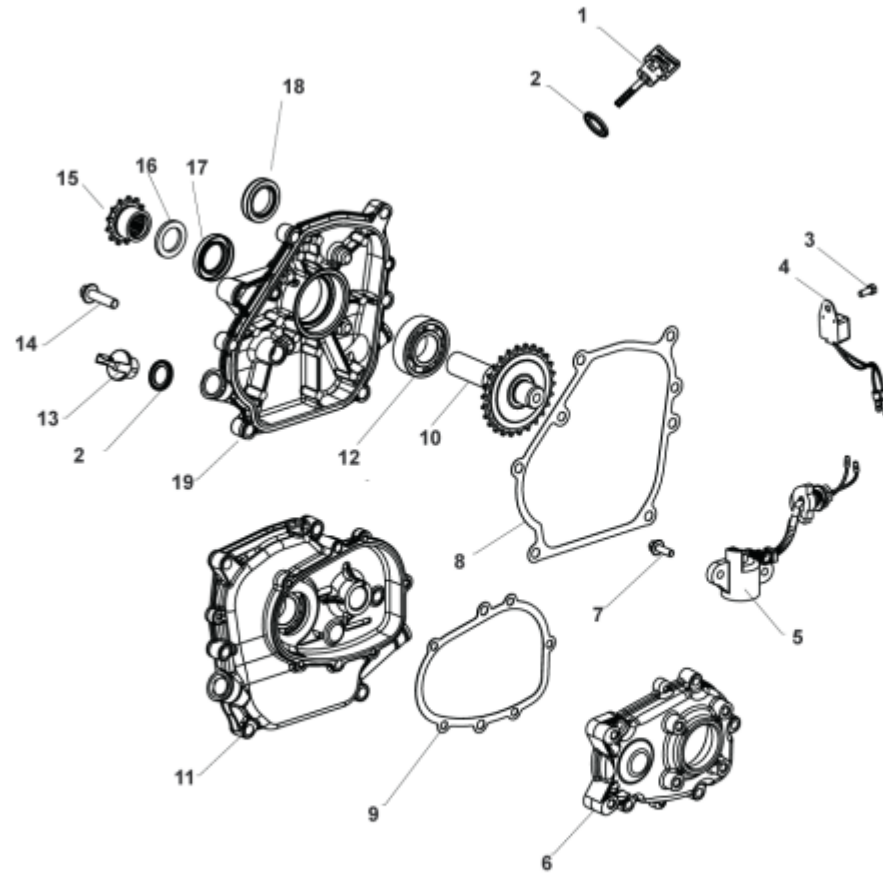


**ILLUSTRATIONS ARE REPRESENTATIVE AND ARE NOT INTENDED TO SHOW ALL DETAILS FOR EACH COMPONENT**

## Ignition/Charging Group - CH270-0012

Ref #	Part	Description	Qty
4	17 100 48-S	NUT, FLYWHEEL	1
5	17 109 01-S	CUP, STARTER DRIVE	1
6	17 157 06-S	FAN, FLYWHEEL	1
7	17 025 01-S	FLYWHEEL ASSY, CAST IRON	1
11	25 086 186-S	SCREW, M6 X 25	1
12	17 584 01-S	MODULE, IGNITION	1
13	25 132 14-S	SPARK PLUG, RFI	1
14	17 099 24-S	SWITCH, IGNITION	1
16	17 154 09-S	CLIP, WIRE HARNESS	1
20	17 518 03-S	LEAD, OPTIONAL EQUIPMENT	1
	17 518 04-S	LEAD, GROUND TO KILL NOT ILLUSTRATED	1

**LUBRICATION GROUP  
CH270**

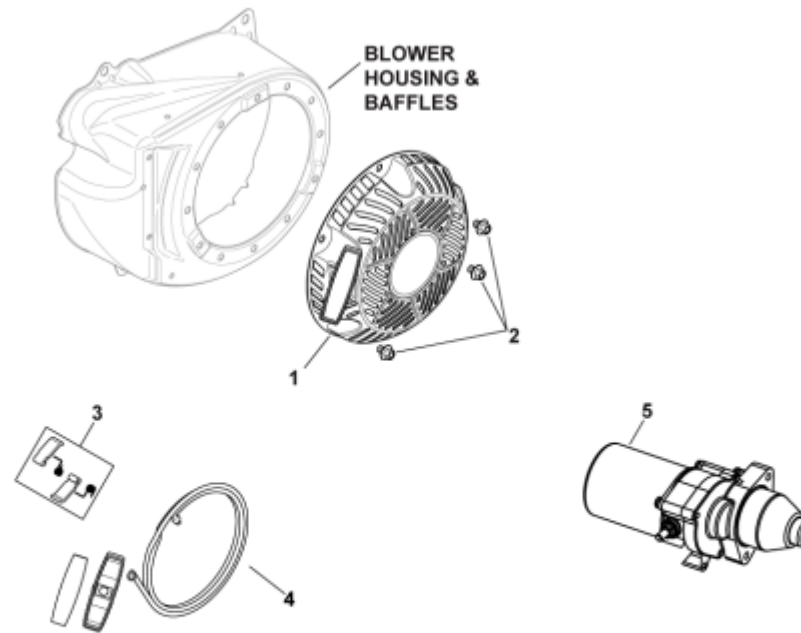


**ILLUSTRATIONS ARE REPRESENTATIVE AND ARE NOT INTENDED TO SHOW ALL DETAILS FOR EACH COMPONENT**

## Lubrication Group - CH270-0012

Ref #	Part	Description	Qty
1	17 038 08-S	DIPSTICK ASSY	1
2	17 032 30-S	SEAL, OIL	1
3	25 086 244-S	SCREW, HEX/PHILLIPS M5	1
4	17 526 04-S	CONTROL, OIL ALERT UNIT	1
5	17 099 09-S	SWITCH, OIL SENSOR ASSY	1
7	25 086 223-S	SCREW, M6 X18	1
8	17 041 01-S	GASKET, CLOSURE PLATE	1
12	17 030 12-S	BEARING, BALL	1
14	25 086 171-S	SCREW, CLOSURE PLATE	1
17	17 032 29-S	SEAL, CLOSURE PLATE	1
19	17 009 50-S	KIT, CLOSURE PLATE	1

**STARTING GROUP  
CH270**



**ILLUSTRATIONS ARE REPRESENTATIVE AND ARE NOT INTENDED TO SHOW ALL DETAILS FOR EACH COMPONENT**

## Starting Group - CH270-0012

Ref #	Part	Description	Qty
1	17 165 02-S	RETRACTABLE STARTER ASSY	1
2	25 086 304-S	SCREW, M6 X 8 HEX FLANGE HEAD	1
3	14 379 01-S	KIT, PAWL REPAIR	1
4	17 160 01-S	ROPE, STARTING	1