

CORE UNIT SECTION

	PAGE
SHORT ENGINE	
ACEK6350	1
CYLINDER BLOCK	
ACHK0014	2
CRANKSHAFT, PISTONS AND CONNECTING RODS	
ACHK0014	4
CYLINDER HEAD	
ACHK0014	6
ROCKER SHAFT	
ACHK0014	8
TIMING GEAR AND CAMSHAFT	
ACHK0014	9
LUBRICATING OIL PUMP AND DELIVERY HOUSING	
ACHK0014	13

OPTIONS SECTION

	PAGE
FUEL INJECTION EQUIPMENT (DIESEL)	
AFHK2070	14
FLYWHEEL HOUSING	
CDHK0727	19
FLYWHEEL AND STARTER RING	
DDHK0817	20
STARTER MOTOR	
EDHK0581	21
LUBRICATING OIL SUMP	
GBHK1376	23
LUBRICATING OIL FILLER AND BREATHER	
HBHK1384	24
LUBRICATING OIL FILTER AND INTEGRAL OIL COOLER	
JBHK1029	25
FRONT END DRIVE INPUT	
KBHK0567	26
WATER PUMP, THERMOSTAT AND HEAT EXCHANGER	
LBHK1430	27
FAN AND EXTENSION	
MDHK0782	28
ALTERNATOR AND GENERATOR	
NDHK1756	29
GEAR DRIVE AUXILIARY DRIVE OPTIONS	
QDHK0903 ● QDHK0856	31
EXHAUST MANIFOLD	
UBHK0343	32
LOW PRESSURE FUEL SYSTEM	
VBHK1393	33
COLD START SYSTEM	
WDHK0192	35
ENGINE LIFTING	
XBHK0308	36

ACCESSORIES SECTION

	PAGE
THROTTLE AND STOP CONTROLS	
ZAHK0519	37
LUB. OIL PRESSURE SWITCH AND GAUGE	
ZJHK0404	38
TEMPERATURE GAUGE AND SENDER	
ZLHK0180	39
RADIATOR AND COWLING	
ZMHK0249	40
TACHOMETER AND HOUR RECORDER	
ZQHK0523	41
APPLICATION MISCELLANEOUS AND AUXILIARIES	
ZZHK0385	42
JOINTS AND GASKETS - COMPLETE SERVICE KIT	
SGBK0010	43

SECTION DES EQUIPEMENT DE BASE

	PAGE
MOTEUR EMBIELLE ACEK6350	1
BOUCHE-CYLINDRES ACHK0014	2
REBREMAYAGE PISTONS ET BIELLES ACHK0014	4
VALVE ACHK0014	6
BOUCHE DES CULBUTEURS ACHK0014	8
DISTRIBUTION ET ARBRE A CAMES ACHK0014	9
POMPE A HUILE ET CLAPET DE DECHARGE ACHK0014	13

SECTION DES EQUIPEMENTS OPTIONNELS

	PAGE
EQUIPEMENT D'INJECTION (DIESEL) AFHK2070	14
CARTER VOLANT CDHK0727	19
VOLANT ET COURONNE DEMARRAGE DDHK0817	20
DEMARREUR EDHK0581	21
CARTER D'HUILE GBHK1376	23
REMPLISSEUR D'HUILE ET RENIFLARD HBHK1384	24
FILTRE A HUILE ET REFROIDISSEUR D'HUILE JBHK1029	25
PUISSANCE ABSORBEE A L'AVANT KBHK0567	26
POMPE A EAU,THERMOSTAT,ECHANGEUR DE CHALEUR ET REFROID	
LBHK1430	27
VENTILATEUR ET ENTRETOISE MDHK0782	28
ALTERNATEUR ET DYNAMO NDHK1756	29
ENTRAINEMENT PAR PIGNON DES EQUIPEMENTS AUXILIAIRES QDHK0903 ● QDHK0856	31
COLLECTEUR ECHAPPEMENT UBHK0343	32
CIRCUIT CARBURANT BASSE PRESSION VBHK1393	33
DISPOSITIF DEPART A FROID WDHK0192	35
LEVAGE MOTEUR XBHK0308	36

SECTION DES EQUIPEMENTS ACCESSOIRES

	PAGE
CONTROLE ACCELERATION ET STOP ZAHK0519	37
MANO. CONTACT PRESSION D'HUILE ET MANOMETRE ZJHK0404	38
MANOMETRE TEMPERATURE TRANSMETTEUR ZLHK0180	39
RADIATEUR ET CAPOTAGE ZMHK0249	40
COMPTE-TOURS ET COMPTEUR D'HEURES ZQHK0523	41
APPLICATIONS DIVERSES ET AUXILIAIRES ZZHK0385	42
JEU DE JOINTS COMPLET SGBK0010	43

GRUNDMOTOR		PAGE	ANBAUTEILE WAHIWEISE	PAGE	ZUBEHOER	PAGE
PUMPF MOTOR			EINSPRITZANLAGE (DIESEL)		GAS-UND ABSTELLHEBERL	
ACEK6350		1	AFHK2070	14	ZAHK0519	37
ZYLINDERBLOCK			SCHWUNGRADGEHAEUSE		OELDRUCKSCHALTER UND OELDRUCKMANOMETER	
ACHK0014		2	CDHK0727	19	ZJHK0404	38
KURBELWELLE,KOLBEN UND PLEUEL			SCHWUNGRAD UND ZAHNKRANZ		TEMPERATURANZEIGER UND-GEBER	
ACHK0014		4	DDHK0817	20	ZLHK0180	39
ZYLINDERKOPF			ANLASSER		WASSERKUEHLER UND LEITBLECH	
ACHK0014		6	EDHK0581	21	ZMHK0249	40
NIPPHEBELANLAGE			SCHMIERDELWANNE		TACHOMETER UND STUNDENZAehler	
ACHK0014		8	GBHK1376	23	ZQHK0523	41
NUEBERGETRIEBE UND NOCKENWELLE			DELEINFUELLSTUTZEN UND ENTLUEFTUNG		GERAETEZUBEHOER UND NEBENAGGREGATE	
ACHK0014		9	HBHK1384	24	ZZHK0385	42
SCHMIEROELPUMPE UND ENTLASTUNGSVENTIL			SCHMIEROELFILTER UND MOTORSEITIGER DELHUEHLER		DICHTRINGE UND DICHTUNGEN KOMPL.REP.-SATZ	
ACHK0014		13	JBHK1029	25	SGBK0010	43
			KURBELWELLENGETRIEBE (VORNE)			
			KBHK0567	26		
			WASSERPUMPE, THERMOSTAT UND WAERMETAUSCHER			
			LBHK1430	27		
			LUFTER UND ZWISCHENSTUECK			
			MDHK0782	28		
			DREHSTROM-WECHSELSTROM-LICHTMASCHINE			
			NDHK1756	29		
			ZAHNRADANGETRIEBENE NEBENAGGREGATE-WAHLWEISE			
			QDHK0903 ● QDHK0856	31		
			AUSPUFFKRUEMMER			
			UBHK0343	32		
			KRAFTSTOFF-NIEDERDRUCKANLAGE			
			VBHK1393	33		
			KALTSTARTANLAGE			
			WDHK0192	35		
			MOTORHEBEOESEN			
			XBHK0308	36		

SEZIONE PARTI INTERNE

	PAGE
MOTORE ALLEGGERITO ACEK6350	1
GRANOBLOCCO ACHK0014	2
ALBERO A MANOVELLA-BIELLE E PISTONI ACHK0014	4
VALVISTATA ACHK0014	6
VALVISTE A BILANCIERI ACHK0014	8
VALVISTE A BILANCIERI E ALBERO DELLA DISTRIBUZIONE ACHK0014	9
VALVISTE A BILANCIERI E CARCASSA ACHK0014	13

SEZIONE PARTI A RICHIESTA

	PAGE
EQUIPAGGIAMENTO INIEZIONE NAFTA (DIESEL) AFHK2070	14
CARCASSA VOLANO CDHK0727	19
VOLANO E CORONA AVVIAMENTO DDHK0817	20
MOTORING AVVIAMENTO EDHK0581	21
MOTORINO AVVIAMENTO EDHK0581	22
COPPA OLIO GBHK1376	23
TAPPO RIEMPIMENTO E SFIATATOIO HBHK1384	24
FILTRO OLIO E REFRIGERATORE INTEGRALE JBHK1029	25
TRASMISSIONE ANTERIORE ENTRATA KBHK0567	26
POMPA ACQUA, TERMOSTATO E SCAMBIATORE DI CALORE LBHK1430	27
VENTOLA E DISTANZIALE MDHK0782	28
ALTERNATORE E GENERATORE NDHK1756	29
TRASMISSIONE AUSILIARIA A RICHIESTA QDHK0903 ● QDHK0856	31
COLLETTORE DI SCARICO UBHK0343	32
SISTEMA NAFTA A BASSA PRESSIONE VBHK1393	33
AVVIAMENTO A FREDDO WDHK0192	35
SOLLEVAMENTO MOTORE XBHK0308	36

SEZIONE ACCESSORI

	PAGE
COMANDO AVVIAMENTO ED ARRESTO ZAHK0519	37
MANO. E INTERRUTTORE PRESSIONE OLIO ZJHK0404	38
BULBO E MANOMETRO TEMPERATURA ZLHK0180	39
RADIATORE E COPERCHIO ZMHK0249	40
TACHIMETRO E CONTAORE ZQHK0523	41
APPLICAZIONI VARIE ZZHK0385	42
SERLE COMPLETA GUARNIZIONI SGBK0010	43

SECCION DE MOTOR BASICO

MOTOR EMBIELADO
ACEK6350
CILINDRO-CYLINDROS
ACHK0014
BIELAS,PISTONES A BIELAS
ACHK0014
VALVULATA
ACHK0014
JUEGO DE BALANCIN
ACHK0014
DISTRIBUCION Y EJE DE LEVAS
ACHK0014
BOMBA DEL ACEITE Y CARTER DE ALIMENTACION
ACHK0014

PAGE

1
2
4
6
8
9
13

SECCION EQUIPO OPCIONES

EQUIPO DE INYECCION DEL COMBUSTIBLE (DIESEL)
AFHK2070
CARTER DEL VOLANTE
CDHK0727
VOLANTE Y ARO DE ARRANQUE
DDHK0817
ARRANCADOR
EDHK0581
CARTER DEL ACEITE LUBRICANTE
GBHK1376
RENIFLARD Y LLENADO DEL ACEITE LUBRICANTE
HBHK1384
FILTRO Y ENGRADOR INTEGRAL
JBHK1029
ENTRADA DEL MANDO DELANTERO
KBHK0567
BOMBA DEL AGUA,TERMOSTATO CAMBIADOR DE
TEMPERATURA
LBHK1430
VENTILADOR Y PROLONGACION
MDHK0782
ALTERNADOR Y DINAMO
NDHK1756
EQUIPO OPCIONAL DE MANDO AUXILIAR ACCIONADO
ENGRANAJES
QDHK0903 ● QDHK0856
MULTIPLE DE ESCAPE
UBHK0343
SISTEMA DE COMBUSTIBLE A BAJA PRESION-
VBHK1393
SISTEMA DE COMBUSTIBLE A BAJA PRESION
VBHK1393
SISTEMA DE ARRANQUE EN TIEMPO FRIO
WDHK0192
PLACA LEVANTADORAS DEL MOTOR
XBHK0308

PAGE

14
19
20
21
23
24
25
26
27
28
29
31
32
33
34
35
36

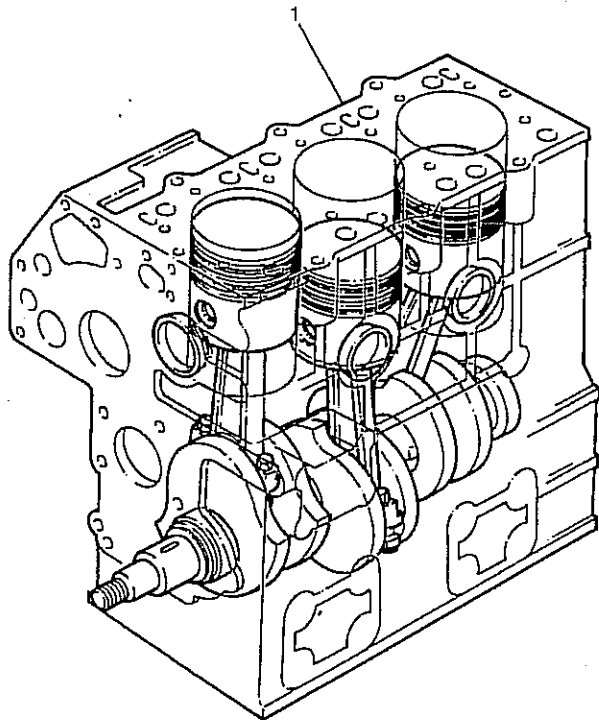
SECCION EQUIPO ACCESORIOS

MANDOS DEL ACELERADOR Y PARADA
ZAHK0519
TRANSMISOR E INDICADOR DE LA PRESION DE ACEITE LUB.
ZJHK0404
INDICADOR Y TRANSMISOR DE TEMPERATURA
ZLHK0180
RADIADOR Y CAPO
ZMHK0249
TAQUIMETRO Y CONTADOR DE HORAS
ZQHK0523
EQUIPO MISCELANEO Y AUXILIAR
ZZHK0385
JUNTAS Y EMPAQUETADURAS.JUEGO COMPLETO DE
SERVICIO
SGBK0010

PAGE

37
38
39
40
41
42
43

K9105 | ACHK-001-A



SHORT ENGINE
MOTEUR EMBIELLE
RUMPF MOTOR
MOTORE ALLEGGERITO
MOTOR EMBIELADO

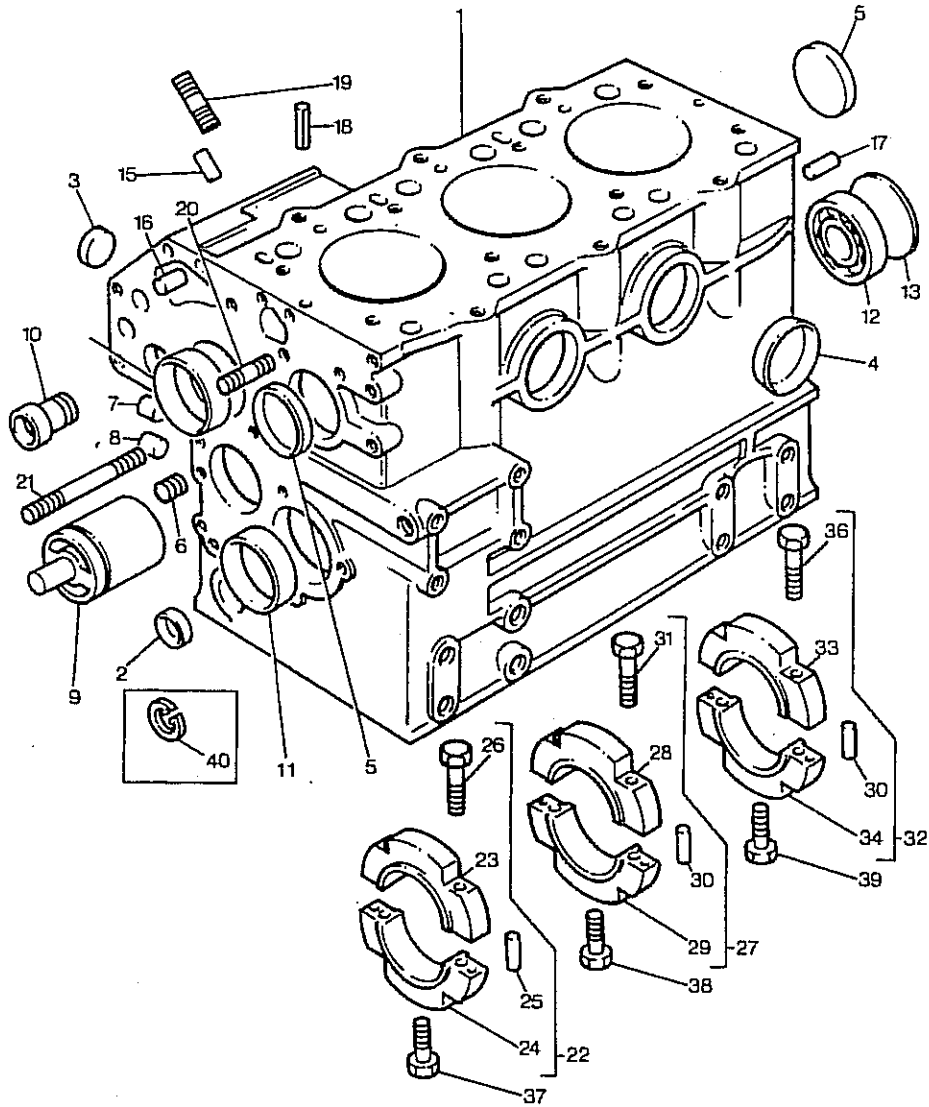
PLATE A
PLAQUE A
PLATTE A
PIASTRA A
PLACA A

ACEK6350

* 1	110006350	1	Short engine	Bloc embielle Motore allegger.	Rumpfmotor Bloque embielado
* 2		1 (A)	Cylinder block	Bloc cylindres Monoblocco	Zylinderblock Bloque cilindros
* 2		1	Crankshaft	Vilebrequin Albero a gomiti	Kurbelwelle Ciguenal
* 2		1	Piston	Piston Pistone	Kolben Piston
* 2		1	Piston ring	Segment piston Fascia elastica	Kolbenring Aro de piston
* 2		1	Conrod	Bielle Biella	Pleuel Biela
* 2		1	Main bearing	Roulement princ Bronzine princip	Hauptlager Cojinete princip
* 2		1	Big end bearing	Roulement extrem Bronzine finali	Pleuellager. Coj.cab.biela
* 2		1	Thrust washer	Rondelle butee Rondella reggisp	Anlaufscheibe Arandela aceler

*(A) COMPLETE WITH PLUGS
AVEC BOUGIES
KOMPLETT MIT STOPFEN
COMPLETO DI TAPPI
INCLUYENDO BUJIAS

K9111 ACHK-002-A



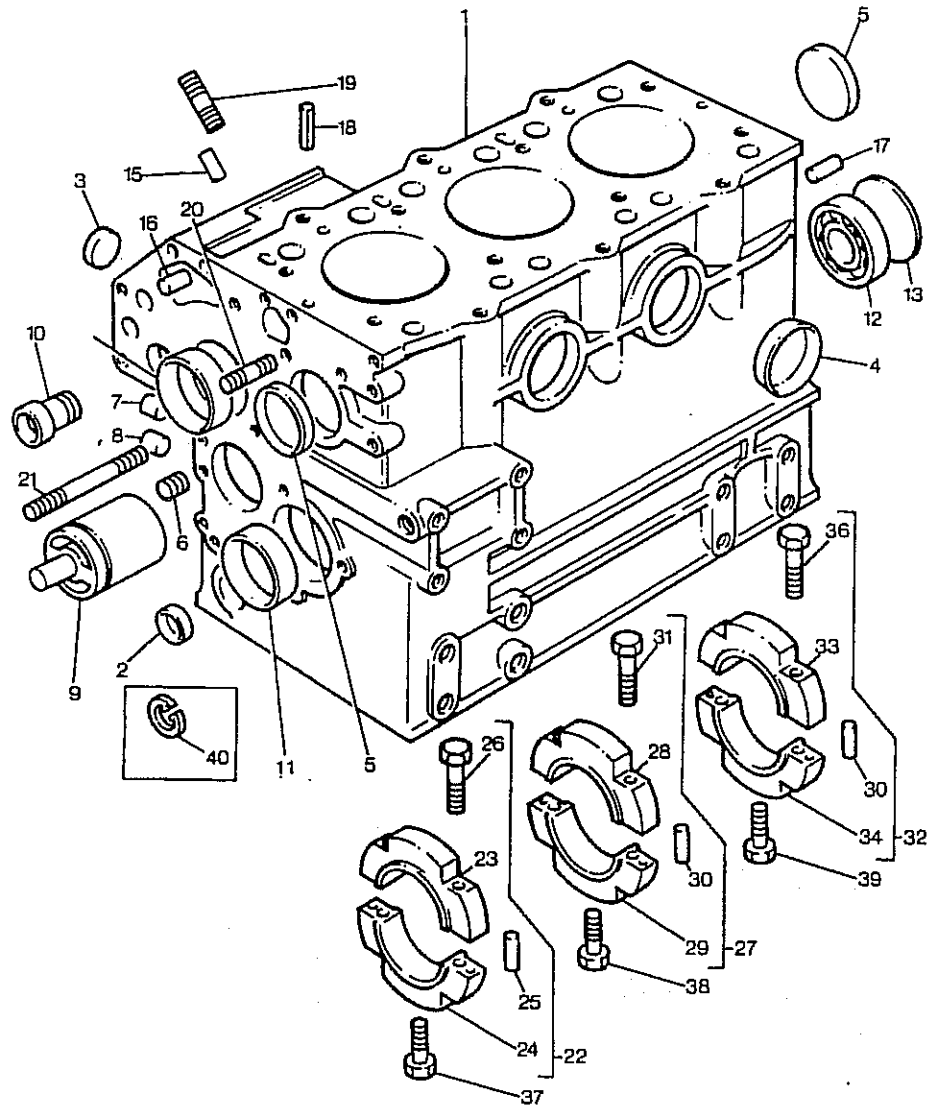
CYLINDER BLOCK
 BLOC-CYLINDRE
 ZYLINDERBLOCK
 MONOBLOCCO
 BLOQUE-CYLINDROS

PLATE A
 PLAQUE A
 PLATTE A
 PIASTRA A
 PLACA A

ACHK0014

* 1	110186020	⊙ 110106992	1	Kit,cyl.block	Jeu bloc cylindr Kit,monoblocco	Zyl.blocksatz Jgo.bloque cil.
2	064200015	1	1	Plug	Bouchon Tappo	Verschl.stopfen Tapon
3	064200025	1	1	Plug	Bouchon Tappo	Verschl.stopfen Tapon
4	064200035	1	2	Plug	Bouchon Tappo	Verschl.stopfen Tapon
5	064200040	1	2	Plug	Bouchon Tappo	Verschl.stopfen Tapon
6	198466050	1	1	Plug	Bouchon Tappo	Verschl.stopfen Tapon
7	198466030	1	4	Plug	Bouchon Tappo	Verschl.stopfen Tapon
8	198466010	1	4	Plug	Bouchon Tappo	Verschl.stopfen Tapon
9	165296140	1	1	Hub	Moyeu Mozzo	Nabe Cubo
10	198517090	1	1	Bush	Bague Boccola	Buchse Casquillo
11	198517080	1	1	Bush	Bague Boccola	Buchse Casquillo
11	198517084	X (-)0.25MM	X	Bush	Bague Boccola	Buchse Casquillo
11	198517087	X (-)0.50MM	X	Bush	Bague Boccola	Buchse Casquillo
12	040106203	1	1	Bearing	Coussinet Cuscinetto	Lager Cojinete
13	064100045	1	1	Plug	Bouchon Tappo	Verschl.stopfen Tapon
14	042303015	1	1	Bush	Bague Boccola	Buchse Casquillo
15	030500512	1	2	Dowel	Plot Spina	Zylinderstift Centraje
16	030500616	1	2	Dowel	Plot Spina	Zylinderstift Centraje
17	030501025	1	2	Dowel	Plot Spina	Zylinderstift Centraje
18	030309005	1	2	Pin	Goupille Perno	Bolzen Pasador
19	012110620	1	2	Stud	Goujon Prigioniero	Stehbolzen Esparrago
20	012100635	1	1	Stud	Goujon Prigioniero	Stehbolzen Esparrago
21	012100660	1	1	Stud	Goujon Prigioniero	Stehbolzen Esparrago
* 22	110156111	1	1	Bearing cap	Cache roulement Copricuscinetto	Lager-aussenring Tapa de cojinete

K9111 ACHK-002-A



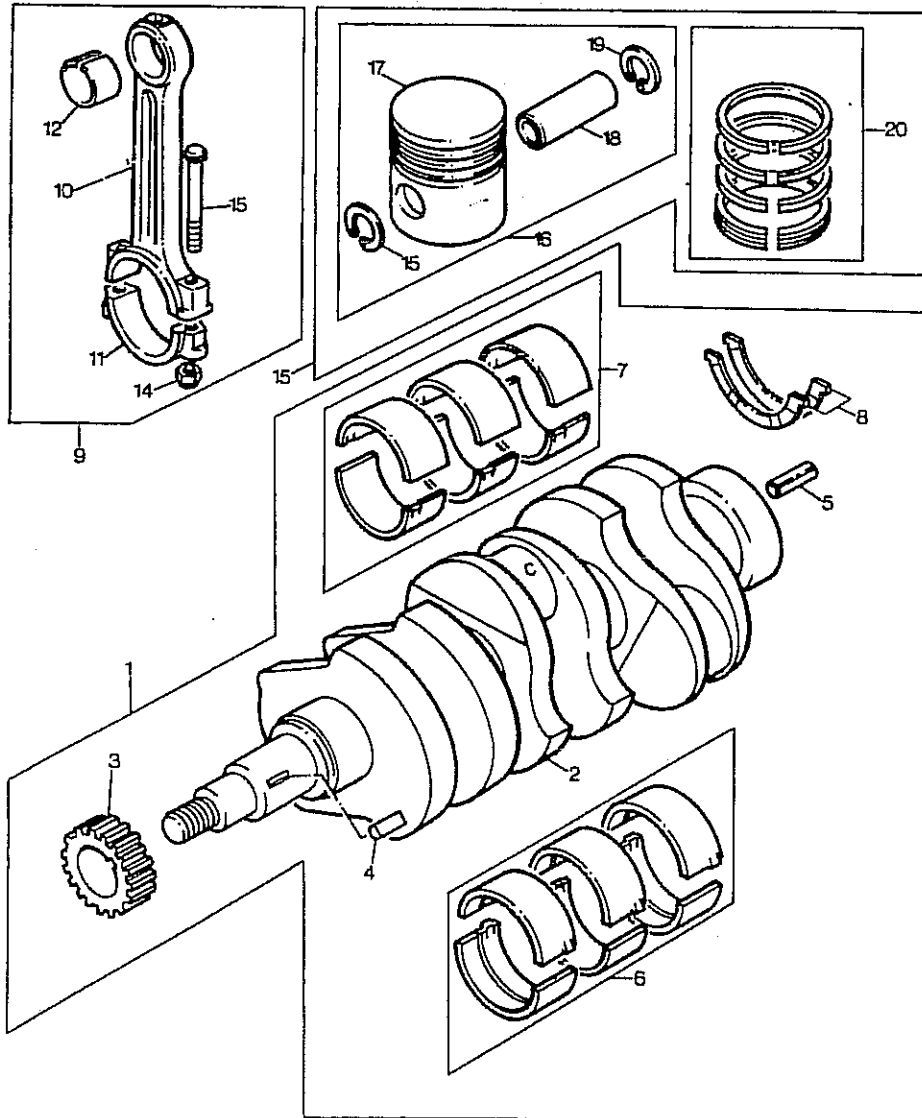
CYLINDER BLOCK
 BLOC-CYLINDRES
 ZYLINDERBLOCK
 MONOBLOCCO
 BLOQUE-CYLINDROS

PLATE A
 PLAQUE A
 PLATTE A
 PIASTRA A
 PLACA A

ACHK0014

23	22	REF.22	1	Cap	Chapeau Cappello	Kappe Tapa
24	22	REF.22	1	Cap	Chapeau Cappello	Kappe Tapa
25	030500612	22	2	Dowel	Plot Spina	Zylinderstift Centraje
26	010810840	22	2	Screw	Vis Vite	Schraube Tornillo
* 27	110156121	1	1	Bearing cap	Cache roulement Copricuscinetto	Lager-aussenring Tapa de cojinete
28	27	REF.27	1	Cap	Chapeau Cappello	Kappe Tapa
29	27	REF.27	1	Cap	Chapeau Cappello	Kappe Tapa
30	030500612	27	2	Dowel	Plot Spina	Zylinderstift Centraje
31	010810840	27	2	Screw	Vis Vite	Schraube Tornillo
* 32	110156131	1	1	Bearing cap	Cache roulement Copricuscinetto	Lager-aussenring Tapa de cojinete
33	32	REF.32	1	Cap	Chapeau Cappello	Kappe Tapa
34	32	REF.32	1	Cap	Chapeau Cappello	Kappe Tapa
35	030500612	32	2	Dowel	Plot Spina	Zylinderstift Centraje
36	010810840	32	2	Screw	Vis Vite	Schraube Tornillo
* 37	011310850	1	1	Screw	Vis Vite	Schraube Tornillo
* 38	011310850	1	1	Screw	Vis Vite	Schraube Tornillo
* 39	010700845	1	2	Screw	Vis Vite	Schraube Tornillo
40	036509005	1	1	Circlip	Segment d arret Anello d'arresto	Sicherungsring Circulito

K9121 ACHK-002 - A



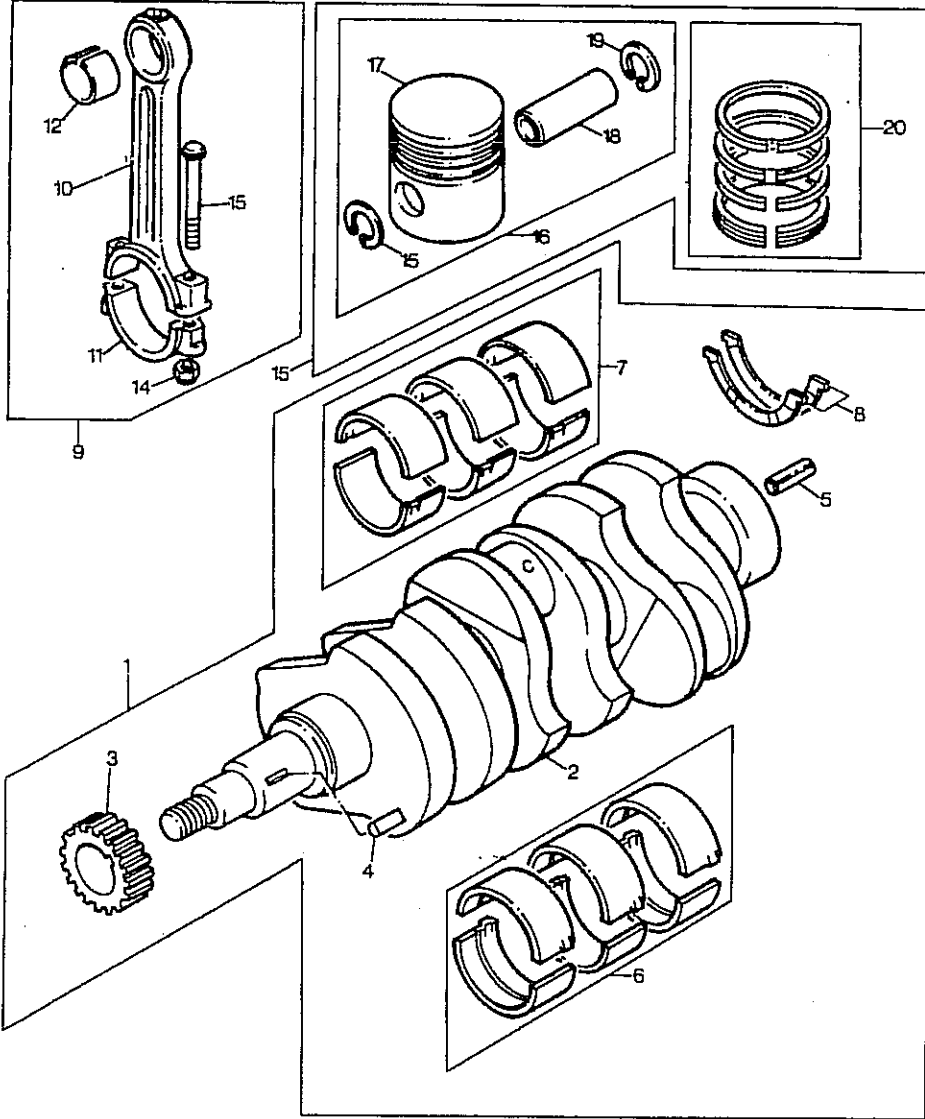
CRANKSHAFT, PISTONS AND CONNECTING RODS
 VILEBREQUIN PISTONS ET BIELLES
 KURBELWELLE, KOLBEN UND PLEUEL
 ALBERO A MANOVELLA-BIELLE E PISTONI
 CIGUENAL, PISTONES A BIELAS

PLATE A
 PLAQUE A
 PLATTE A
 PIASTRA A
 PLACA A

ACHK0014

* 1	115236010	1	Kit, crankshaft	Jeu vilebrequin Kit alberogomiti	Kurbelwellensatz Ciguenal juego
* 2		1	REF.1 Crankshaft	Vilebrequin Albero a gomiti	Kurbelwelle Ciguenal
* 3	115276180	1	Gear	Engrenage Ingranaggio	Zahnrad Engranaje
* 4	030509020	1	Key	Clavette Chiavetta	Passkeil Clave
* 5	030300816	1	Pin	Goupille Perno	Bolzen Pasador
* 6	198586010	1 (A)	Kit, bearing	Jeu coussinets Kit cuscinetto	Lagersatz Juego cojinetes
* 6	198586014	(A) ±(-)0.25MM	X Kit, bearing	Jeu coussinets Kit cuscinetto	Lagersatz Juego cojinetes
* 6	198586017	(A) ±(-)0.50MM	X Kit, bearing	Jeu coussinets Kit cuscinetto	Lagersatz Juego cojinetes
* 7	198586020	1 (A)	Kit, bearing	Jeu coussinets Kit cuscinetto	Lagersatz Juego cojinetes
* 7	198586024	(A) ±(-)0.25MM	X Kit, bearing	Jeu coussinets Kit cuscinetto	Lagersatz Juego cojinetes
* 7	198586027	(A) ±(-)0.50MM	X Kit, bearing	Jeu coussinets Kit cuscinetto	Lagersatz Juego cojinetes
* 8	199266170	1	2 Washer	Rondelle Rondella	Unterlegscheibe Arandela
* 9	115026191		3 Kit, conrod	Jeu bielle Kit biella	Pleuelst.satz Juego de biela
* 10		9	REF.9 Rod	Tringle Asta	Stange Varilla
* 11		9	REF.9 Cap	Chapeau Cappello	Kappe Tapa
* 12	198517125	9	Bush	Bague Boccola	Buchse Casquillo
* 13	115176150	9	2 Screw	Vis Vite	Schraube Tornillo
* 14	020109075	9	2 Nut	Ecrou Dado	Mutter Tuerca
* 15	115016511		3 Kit, piston	Jeu piston Kit pistone	Kolbensatz Juego de piston
* 15	115016515	±(+).5MM	X Kit, piston	Jeu piston Kit pistone	Kolbensatz Juego de piston
* 15	115016518	±(+).10MM	X Kit, piston	Jeu piston Kit pistone	Kolbensatz Juego de piston
* 16	115016760	15	1 Kit, piston	Jeu piston Kit pistone	Kolbensatz Juego de piston
* 16	115016764	15 ±(+).5MM	1 Kit, piston	Jeu piston Kit pistone	Kolbensatz Juego de piston
* 16	115016767	15 ±(+).10MM	1 Kit, piston	Jeu piston Kit pistone	Kolbensatz Juego de piston

K9121 ACHK-002 - A



CRANKSHAFT, PISTONS AND CONNECTING RODS
 VILEBREQUIN PISTONS ET BIELLES
 KURBELWELLE, KOLBEN UND PLEUEL
 ALBERO A MANOVELLA-BIELLE E PISTONI
 CIGUENAL, PISTONES A BIELAS

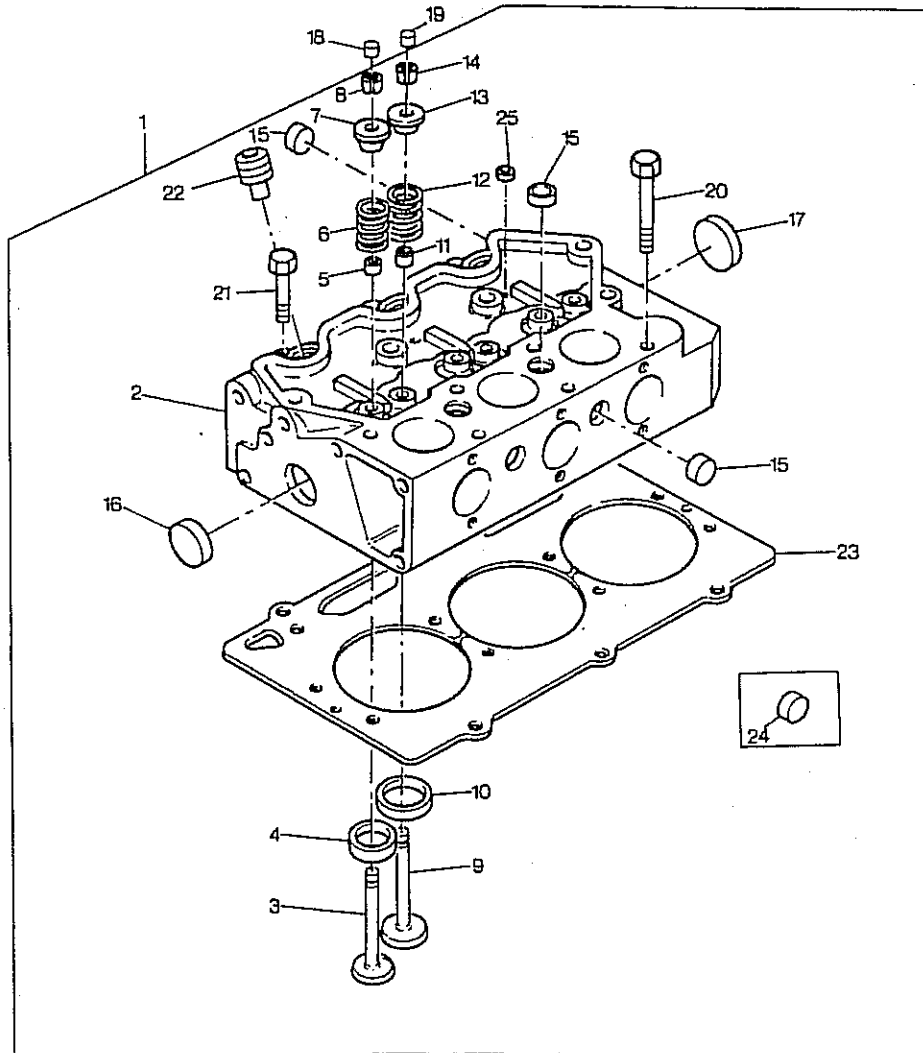
PLATE A
 PLAQUE A
 PLATTE A
 PIASTRA A
 PLACA A

ACHK0014

* 17	16	REF.16	1	Piston	Piston Pistone	Kolben Piston
* 18	115326231	16	1	Gudgeon pin	Axe tourillon Spinotto.	Kolbenbolzen. Eje de piston
* 19	036500021	16	2	Circlip	Segment d arret Anello d'arresto	Sicherungsring Circulito
* 20	115107201	15	1	Kit, piston ring	Jeu segm piston Kit fascie elast	Kolbenringsatz Aros.pist.juego
* 20	115107204	15	1	Kit, piston ring	Jeu segm piston Kit fascie elast	Kolbenringsatz Aros.pist.juego
* 20	115107206	15	1	Kit, piston ring	Jeu segm piston Kit fascie elast	Kolbenringsatz Aros.pist.juego

*(A) BEARINGS ARE PRE-FINISHED
 LES COUSSINETS SONT PRE-FINIS
 FERTILAGER
 LE BRONZINE SOND SEMI LAVORATO
 LOS COJINETE SON PREACEABADOS

K9126 ACHK - 004 - A



CYLINDER HEAD
CULASSE
ZYLINDERKOPF
TESTATA
CULATA

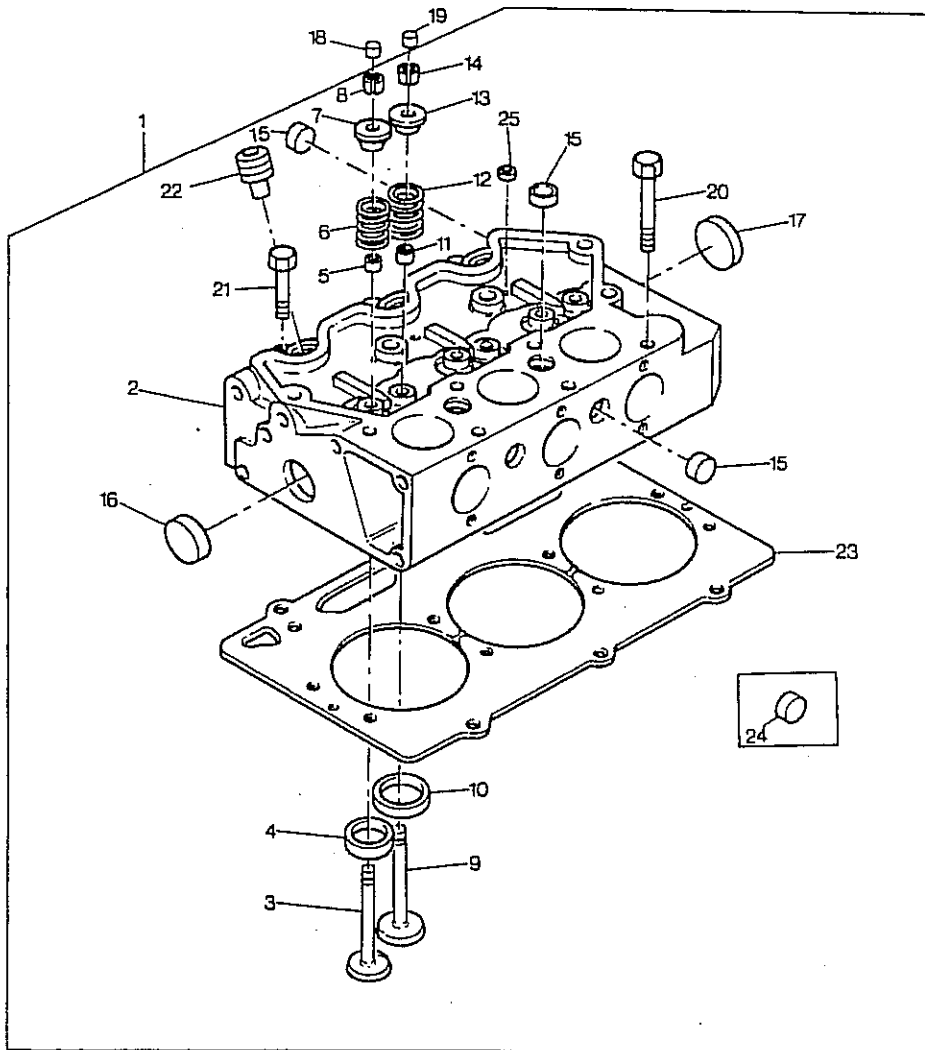
PLATE A
PLAQUE A
PLATTE A
PIASTRA A
PLACA A

ACHK0014

* 1	111086010	(A)	1	Kit, cyl. head	Jeu culasse Kit testata	Zylinderkopfsatz Juego de culata
* 2	111086010	1 (B)	1	Kit, cyl. head	Jeu culasse Kit testata	Zylinderkopfsatz Juego de culata
* 3	120166240	1	3	Valve inlet	Valve admission Valvola immissi.	Einlassventil Valvula admission
* 5	120406070	1	3	Seal	Bague etancheite Paraolio	Dichtring Reten
* 6	198216700	1	3	Spring	Ressort Molla	Feder Muelle
* 7	120186080	1	3	Cap	Chapeau Cappello	Kappe Tapa
* 8	120226070	1	6	Cotter	Bicone Spinotto	Splint Pasador abierto
* 9	120176250	1	3	Valve exhaust	Valveechappement Valvola scarico	Auslassventil Valvula escape
* 11	120406050	1	3	Seal	Bague etancheite Paraolio	Dichtring Reten
* 12	198216700	1	3	Spring	Ressort Molla	Feder Muelle
* 13	120186080	1	3	Cap	Chapeau Cappello	Kappe Tapa
* 14	120226070	1	6	Cotter	Bicone Spinotto	Splint Pasador abierto
* 15	064200018	2	6	Plug	Bouchon Tappo	Verschl.stopfen Tapon
* 16	064200015	2	2	Plug	Bouchon Tappo	Verschl.stopfen Tapon
* 17	064200030	2	2	Plug	Bouchon Tappo	Verschl.stopfen Tapon
* 18	120216040	(C)	3	Cap	Chapeau Cappello	Kappe Tapa
* 19	120216040	(C)	3	Cap	Chapeau Cappello	Kappe Tapa
* 20	111136230	(C)	11	Screw	Vis Vite	Schraube Tornillo
* 21	111136240	(C)	3	Screw	Vis Vite	Schraube Tornillo
* 22	111316260	2	3	Insert	Douille Inserito	Einsatzstueck Insercion
* 23	111147270	(C)	1	Gasket	Joint Guarnizione	Dichtscheibe Empaquedatura

*(A) MAJOR ASSEMBLY-SEE ITEM 2 FOR MINOR ASSEMBLY
ENSEMBLE PRINCIPAL VOIR LA REFERENCE NO.2 POUR L'ENSEMBLE MINEUR
GROSSE BAUGRUPPE - SIEHE POS.2 KLEINE BAUGRUPPE
ASSIEME PRINCIPALE VEDERE NO.2 PER ASSIEME SECOND ARIO
CONJUNTO PRINCIPAL - VEASE EL RENGLON NO.2 PARA ELCONJUNTO MENOR

K9126 ACHK - 004 - A



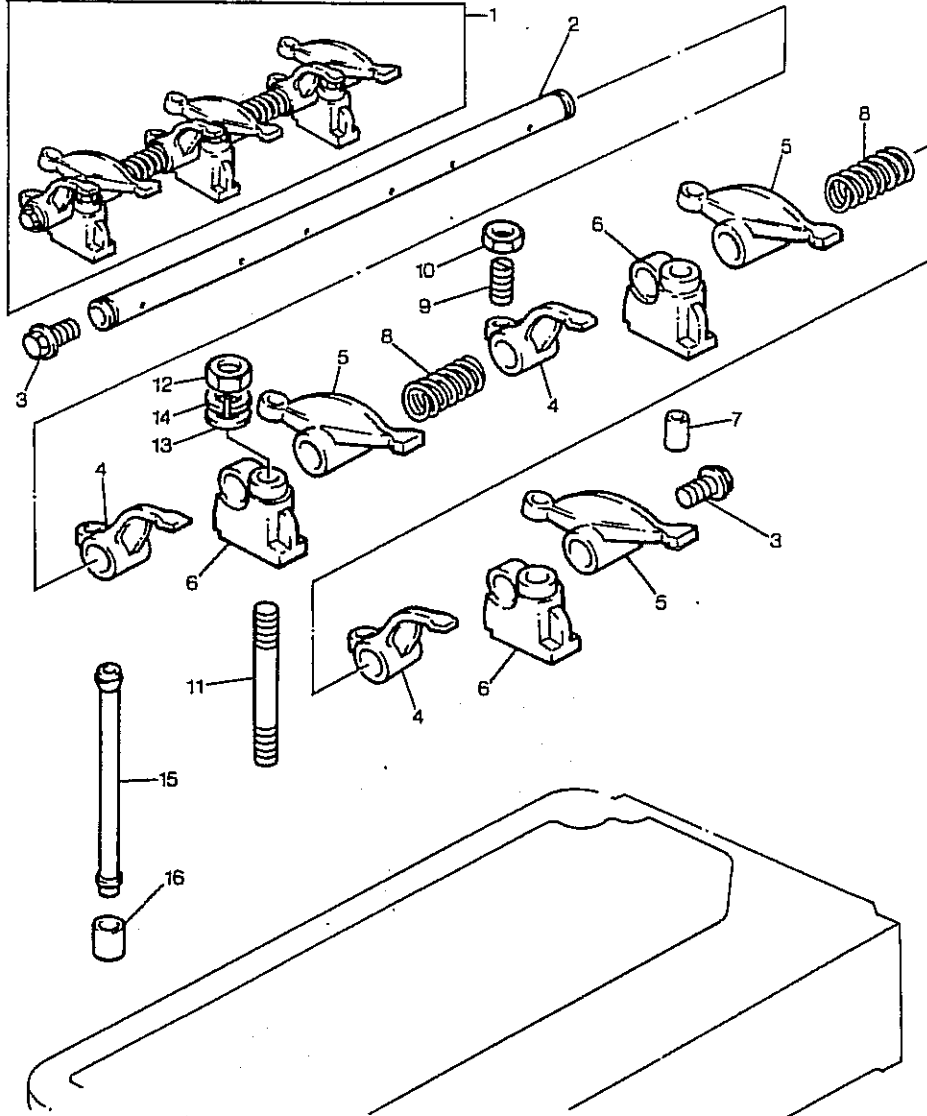
CYLINDER HEAD
CULASSE
ZYLINDERKOPF
TESTATA
CULATA

PLATE A
PLAQUE A
PLATTE A
PIASTRA A
PLACA A

ACHK0014

- *(B) MINOR ASSEMBLY
ENSEMBLE MINEUR
KLEINE BAUGRUPPE
ASSIEME SECONDARIO
CONJUNTO MENOR
- *(C) NOT INCLUDED IN REF.1
NON INCLUS DANS L'ITEM NO.1
NICHT IN POS NR.1
NON INCLUSO IN RIFERIMENTO NO.1
NO SUMINISTRADO EN LA REFERENCIA NO.1

K9131 ACHK-001-A



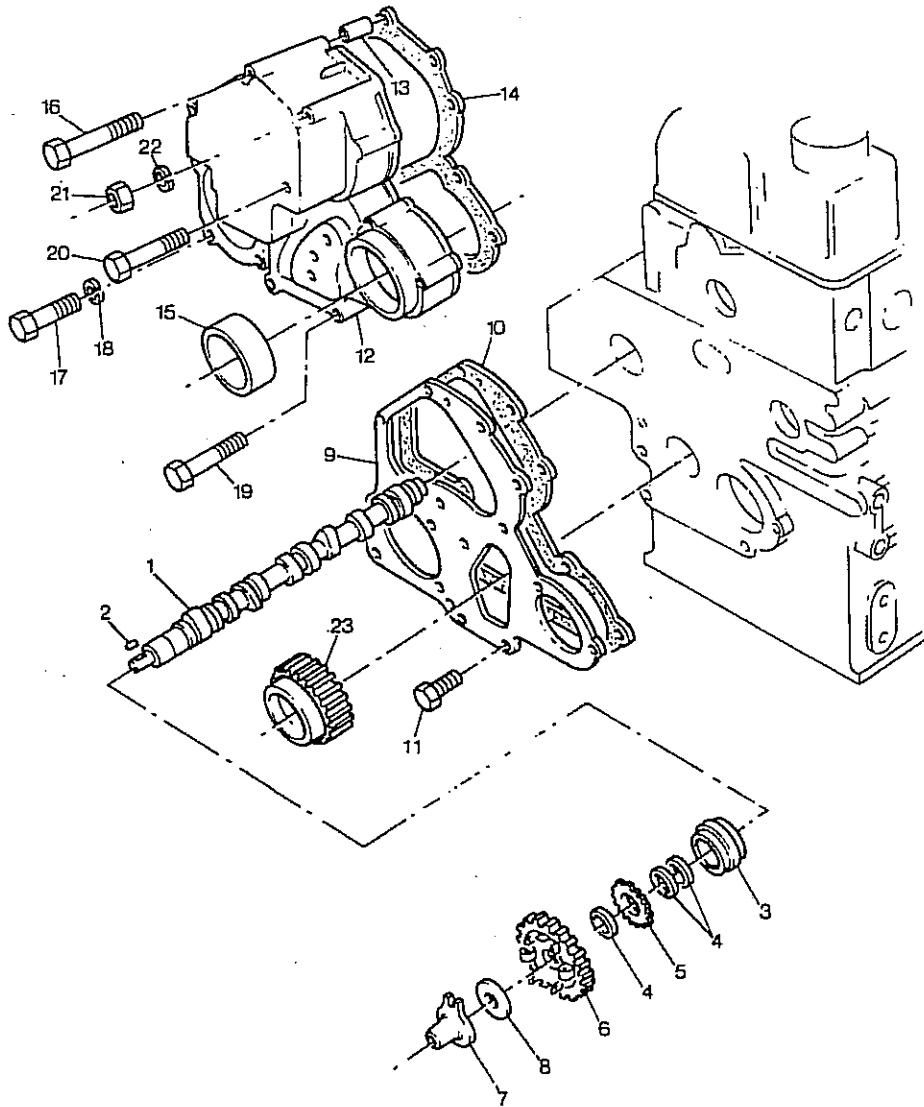
ROCKER SHAFT
 AXE DES CULBUTEURS
 KIPPEBELANLAGE
 ASSE A BILANCIERI
 EJE DE BALANCIN

PLATE A
 PLAQUE A
 PLATE A
 PIASTRA A
 PLACA A

ACHK0014

* 1	120336010	120036311	1	Rocker shaft ass	Rampe culbuteurs Asse bilancieri	Kipphebelachse Conj.eje balanc
2	120316171	1	1	Rocker shaft	Arbre culbuteurs Albero bilancier	Schwingh.welle Eje balancines
3	064609006	1	2	Plug	Bouchon Tappo	Verschl.stopfen Tapon
4	120366162	1	3	Lever	Levier Leva	Hebel Palanca
5	120366152	1	3	Lever	Levier Leva	Hebel Palanca
6	120346170	1	3	Bracket	Support fixation Supporto fissagg	Haltearm Soporte
7	030300325	1	1	Pin	Goupille Perno	Bolzen Pasador
8	198216780	1	2	Spring	Ressort Molla	Feder Muelle
9	199486220	1	6	Adjusting screw	Vis reglage Vite di regolaz.	Einstellschraube Tornillo ajusta
10	020109076	1	6	Nut	Ecrou Dado	Mutter Tuerca
11	012109177		3	Stud	Goujon Prigioniero	Stehbolzen Esparrago
12	023100008		3	Nut	Ecrou Dado	Mutter Tuerca
15	120456201		6	Rod	Tringle Asta	Stange Varilla
16	120116100		6	Tappet	Poussoir soupape Punteria	Ventilstoessel Taquet

K9136 ACHK-001- A



TIMING GEAR AND CAMSHAFT
 DISTRIBUTION ET ARBRE A CAMES
 STEUERGETRIEBE UND NOCKENWELLE
 INGRANAGGI E ALBERO DELLA DISTRIBUZIONE
 DISTRIBUCION Y EJE DE LEVAS

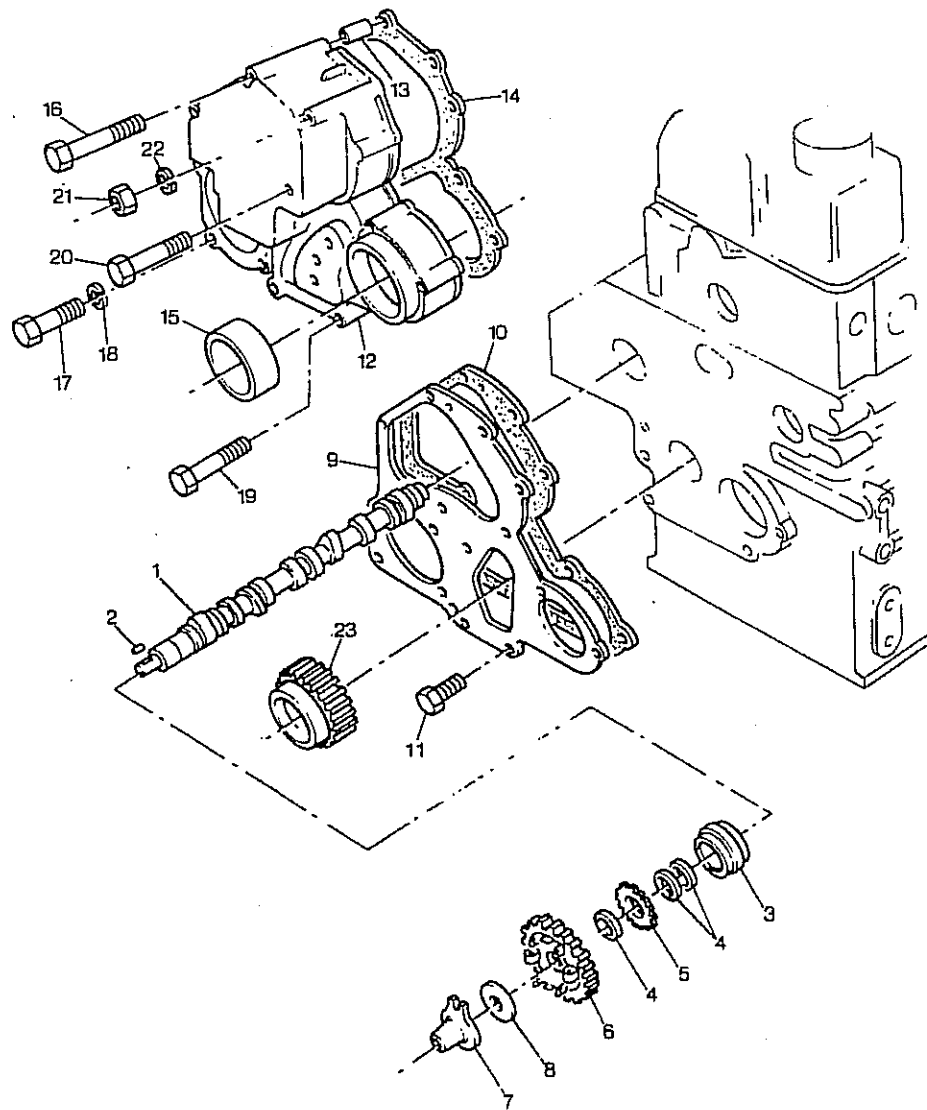
ACHK0014

PLATE A
 PLAQUE A
 PLATTE A
 PIASTRA A
 PLACA A

1	120026090		1	Camshaft	Arbre a cames Albero a camme	Nockenwelle Arbol de levas
2	034100508	1	1	Key	Clavette Chiavetta	Passkeil Clave
3	040109048	1	1	Bearing	Coussinet Cuscinetto	Lager Cojinete
4	199216230	1	3	Spacer	Entretoise Distanziale	Abstandstueck Pieza distancia
* 5	120736081	1	1	Gear	Engrenage Ingranaggio	Zahnrad Engranaje
			1	120736080		
6	120016001	1	1	Gear	Engrenage Ingranaggio	Zahnrad Engranaje
7	125256120	1	1	Tappet	Poussoir soupape Punteria	Ventilstoessel Taquet
9	165166181		1	Plate	Plaque Piastra	Platte Plato
			1	165166180		
10	165996300	1	1	Joint	Joint plat Giunto	Dichtung Junta
11	011140612		3	Screw	Vis Vite	Schraube Tornillo
* 12	165106290		1	Case	Caissette Cassa	Kasten Estuche
			1	165106210		
13	030300414	12	1	Pin	Goupille Perno	Bolzen Pasador
14	165996310	1	1	Joint	Joint plat Giunto	Dichtung Junta
15	198636090	1	1	Seal	Bague etancheite Paraolio	Dichtring Reten
16	011300680		2	Screw	Vis Vite	Schraube Tornillo
* 17	011300860	(B)	4	Screw	Vis Vite	Schraube Tornillo
19	011300640		5	Screw	Vis Vite	Schraube Tornillo
20	011300660		4	Screw	Vis Vite	Schraube Tornillo
21	023100006		1	Nut	Ecrou Dado	Mutter Tuerca
23		(A)	1	Gear	Engrenage Ingranaggio	Zahnrad Engranaje

(A) SEE LUB OIL PUMP SECTION
 VOIR LA SECTION POMPE A HUILE
 SIEHE SCHMIEROELPUMPE
 VEDERE SEZIONE DE POMPA LUBRIFICAZIONE
 VER LA SECCION DEL BOMBA DEL ACEITE

K9136 ACHK-001-A



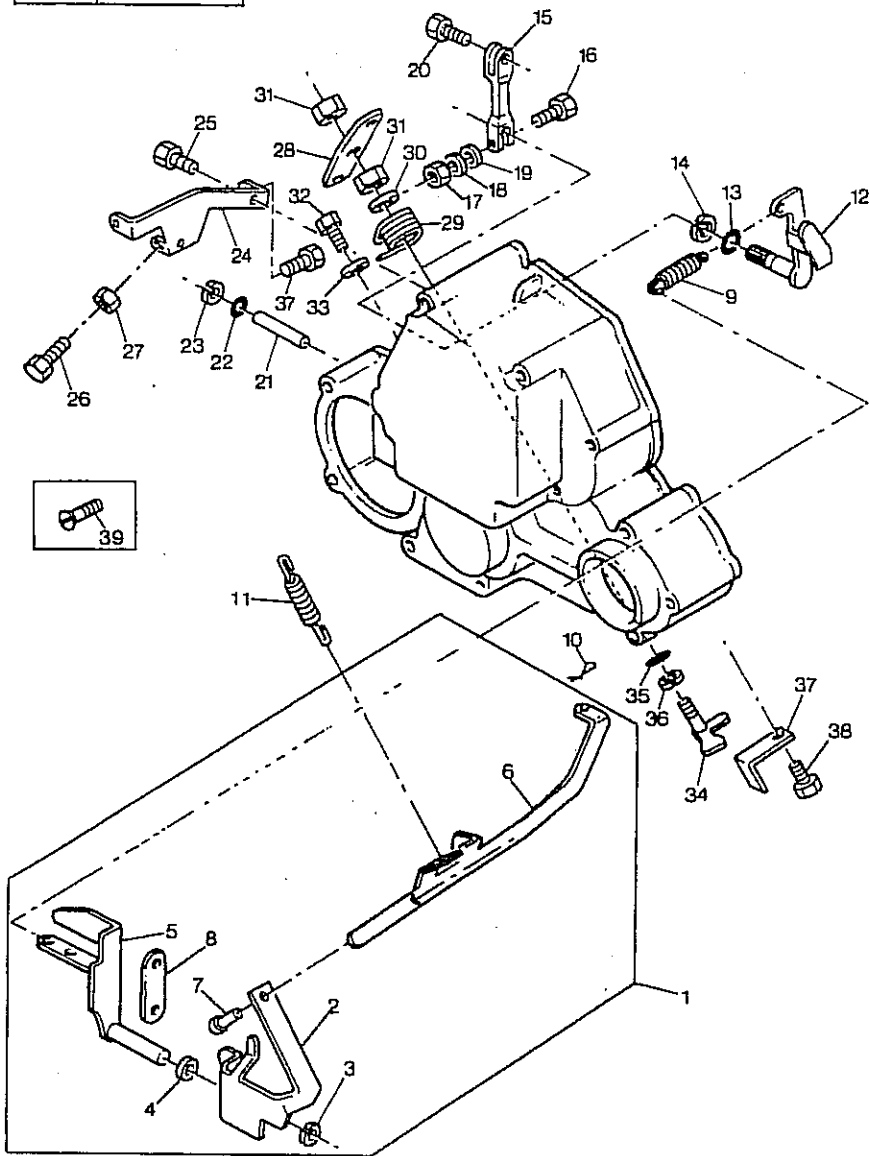
TIMING GEAR AND CAMSHAFT
DISTRIBUTION ET ARBRE A CAMES
STEUERGETRIEBE UND NOCKENWELLE
INGRANAGGI E ALBERO DELLA DISTRIBUZIONE
DISTRIBUCION Y EJE DE LEVAS

ACHK0014

PLATE A
PLAQUE A
PLATTE A
PIASTRA A
PLACA A

*(B) USED ONLY WITH 165106210.
EMPLOYEE SEULEMENT AVEC 165106210.
NUR FUER 165106210.
USATO SOLO CON 165106210.
EMPLEADA SOLAMENTE CON 165106210.

K0137 ACHK-002-B



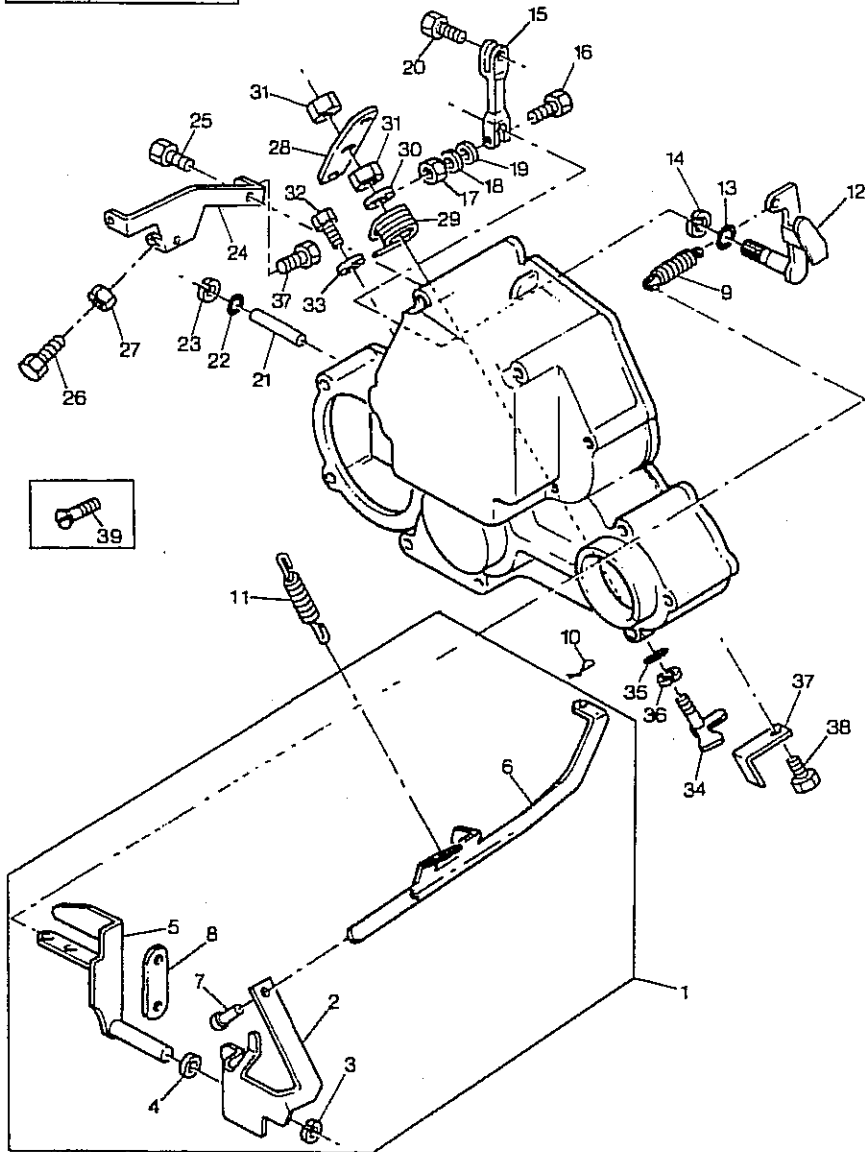
TIMING GEAR AND CAMSHAFT
 DISTRIBUTION ET ARBRE A CAMES
 STEUERGETRIEBE UND NOCKENWELLE
 INGRANAGGI E ALBERO DELLA DISTRIBUZIONE
 DISTRIBUCION Y EJE DE LEVAS

ACHK0014

PLATE B
 PLAQUE B
 PLATTE B
 PIASTRA B
 PLACA B

1	125046160	1	Lever	Levier Leva	Hebel Palanca
2	1 ➔ REF.1	1	Lever	Levier Leva	Hebel Palanca
3	036800008	1	Circlip	Segment d arret Anello d'arresto	Sicherungsring Circulito
4	026200010	1	Washer	Rondelle Rondella	Unterlegscheibe Arandeia
5	125406071	1	Lever	Levier Leva	Hebel Palanca
6	1 ➔ REF.1	1	Link	Maillon Maglia	Glied Union
7	1 ➔ REF.1	1	Pin	Goupille Perno	Bolzen Pasador
*	9 198217200	● 198217140	Spring	Ressort Molla	Feder Muelle
10	031100004		Pin	Goupille Perno	Bolzen Pasador
11	198216731		Spring	Ressort Molla	Feder Muelle
12	125156170		Arm	Bras Braccio	Arm Brazo
13	052100070		O ring	Joint torique Anello or	O-ring Junta torica
14	036800008		Circlip	Segment d arret Anello d'arresto	Sicherungsring Circulito
15	125416020		Lever	Levier Leva	Hebel Palanca
16	010110630		Screw	Vis Vite	Schraube Tornillo
17	020100006		Nut	Ecrou Dado	Mutter Tuerca
21	125116130		Shaft	Arbre Albero	Welle Arbol
22	052100030		O ring	Joint torique Anello or	O-ring Junta torica
23	036800005		Circlip	Segment d arret Anello d'arresto	Sicherungsring Circulito
24	125976120		Stay	Hauban Busto	Strebe Tirante
25	011300616		Screw	Vis Vite	Schraube Tornillo
26	012800640		Screw	Vis Vite	Schraube Tornillo
27	023100006		Nut	Ecrou Dado	Mutter Tuerca
28	125176071		Lever	Levier Leva	Hebel Palanca

K9137 ACHK-002-B



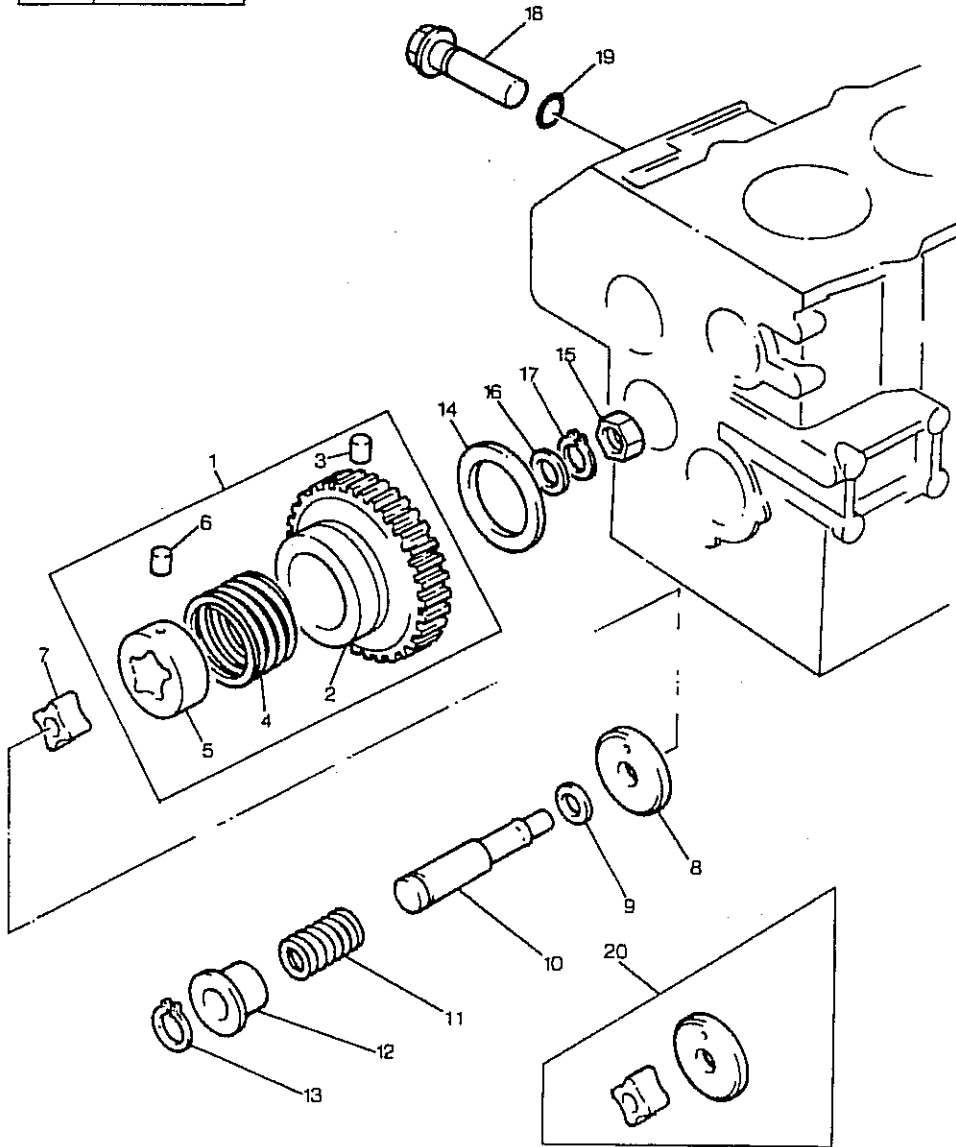
TIMING GEAR AND CAMSHAFT
 DISTRIBUTION ET ARBRE A CAMES
 STEUERGETRIEBE UND NOCKENWELLE
 INGRANAGGI E ALBERO DELLA DISTRIBUZIONE
 DISTRIBUCION Y EJE DE LEVAS

PLATE B
 PLAQUE B
 PLATTE B
 PIASTRA B
 PLACA B

ACHK0014

29	198216760	1	Spring	Ressort Molla	Feder Muelle
30	026200008	1	Washer	Rondelle Rondella	Unterlegscheibe Arandela
31	020300008	2	Nut	Ecrou Dado	Mutter Tuerca
34	125156180	1	Arm	Bras Braccio	Arm Brazo
35	052100050	1	O ring	Joint torique Anello or	O-ring Junta torica
36	036800006	1	Circlip	Segment d arret Anello d'arresto	Sicherungsring Circulito
39	010109264	1	Screw	Vis Vite	Schraube Tornillo

K9151 ACHK-002-A

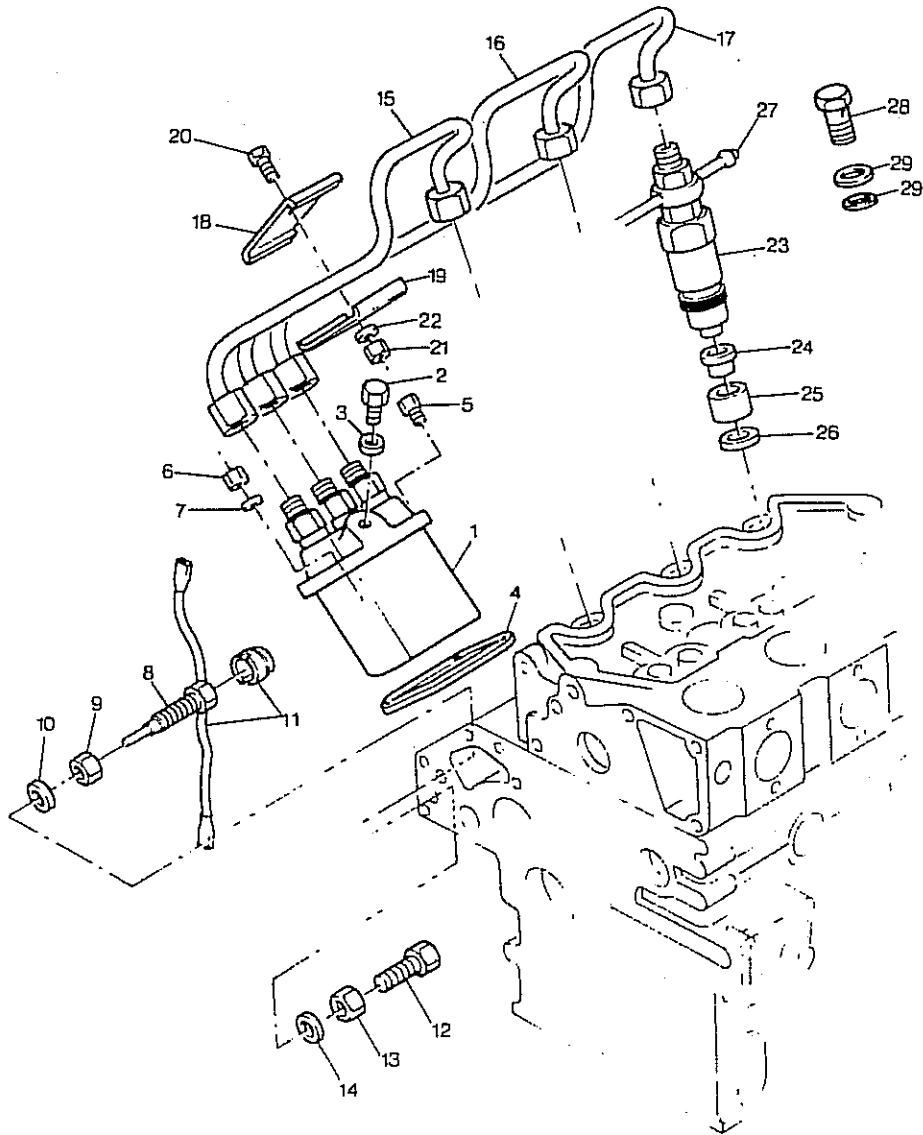


LUBRICATING OIL PUMP AND DELIVERY HOUSING
 POMPE A HUILE ET CLAPET DE DECHARGE
 SCHMIEROELPUMPE UND ENTLASTUNGSVENTIL
 POMPA LUBRIFICAZIONE E CARCASSA
 BOMBA DEL ACEITE Y CARTER DE ALIMENTACION
 ACHK0014

PLATE A
 PLAQUE A
 PLATTE A
 PIASTRA A
 PLACA A

1	165026100		1	Gear	Engrenage Ingranaggio	Zahnrad Engranaje
2	165266180	1	1	Gear	Engrenage Ingranaggio	Zahnrad Engranaje
3	030509018	1	1	Dowel	Plot Spina	Zylinderstift Centraje
4	198216821	1	1	Spring	Ressort Molla	Feder Muelle
5	140166160	1	1	Vane	Vanne Aletta	Leitfluegel Paleta
6	198517290	1	1	Bush	Bague Boccola	Buchse Casquillo
7	140166130		1	Rotor	Rotor Rotore	Rotor Rotor
8	140116140		1	Cover	Couvercle Coperchio	Deckel Cubierta
9	199286150	X (+)0.10MM	X	Shim	Cale réglage Spessore	Einstellblech Calce
9	199286160	X (+)0.15MM	X	Shim	Cale réglage Spessore	Einstellblech Calce
9	199286170	X (+)0.20MM	X	Shim	Cale réglage Spessore	Einstellblech Calce
9	199286180	X (+)0.50MM	X	Shim	Cale réglage Spessore	Einstellblech Calce
11	198216720		1	Spring	Ressort Molla	Feder Muelle
12	199236540		1	Collar	Collerette Collare	Flanschring Collar
13	036800010		1	Circlip	Segment d arret Anello d'arresto	Sicherungsring Circulito
14	199266180		1	Washer	Rondelle Rondella	Unterlegscheibe Arandela
18	140036111		1	Valve	Soupape Valvoia	Ventil Valvula
19	052100150		1	O ring	Joint torique Anello or	O-ring Junta torica
* 20	140186010		X	Kit, repair	Jeu reparation Kit riparazione	Reparaturatz Juego reparacion

K9166 AFHK-002-A

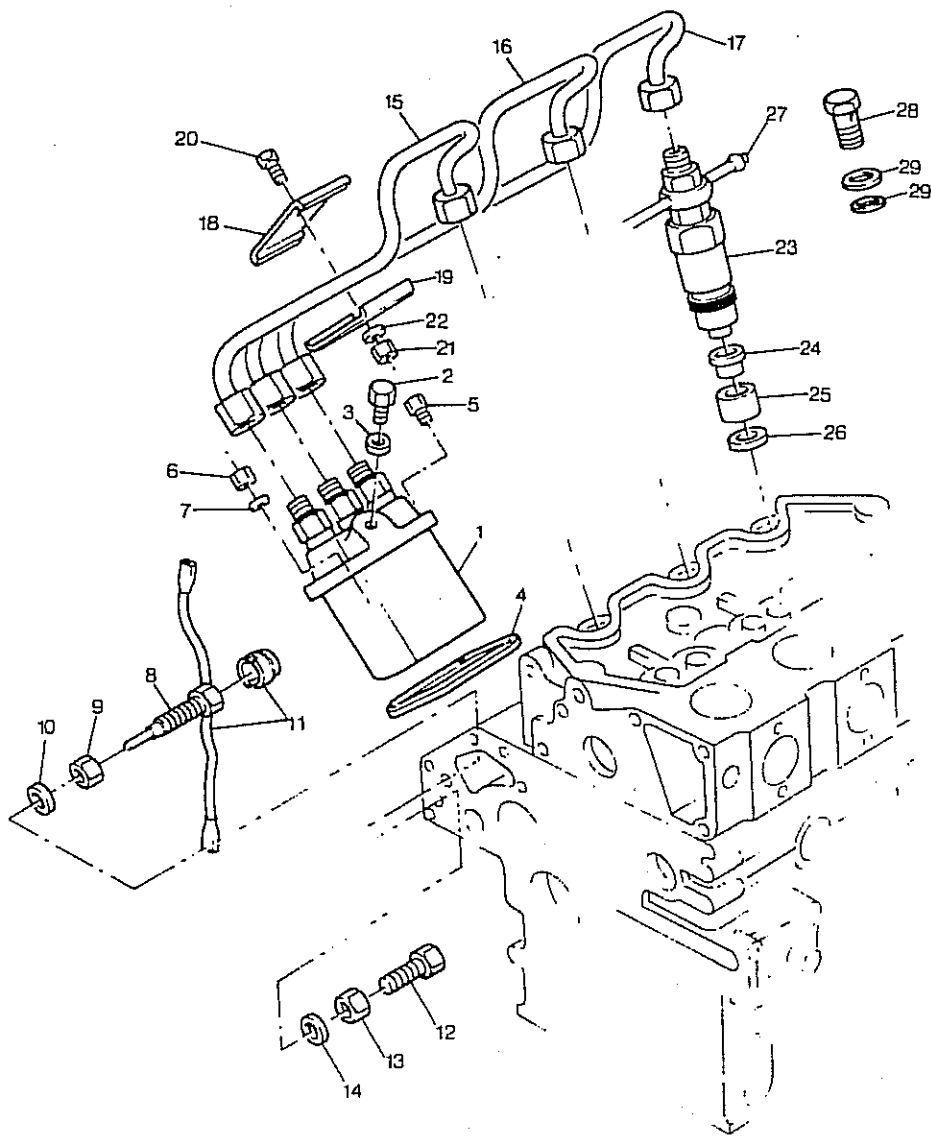


FUEL INJECTION EQUIPMENT (DIESEL)
 EQUIPEMENT D'INJECTION (DIESEL)
 EINSPRITZANLAGE (DIESEL)
 EQUIPAGGIAMENTO INIEZIONE NAFTA (DIESEL)
 EQUIPO DE INYECCION DEL COMBUSTIBLE (DIESEL)
 AFHK2070

PLATE A
 PLAQUE A
 PLATTE A
 PIASTRA A
 PLACA A

1	131017310	(A)	1	Injection pump	Pompe injection Pompa iniezione	Einspritzpumpe Bomba inyectora
2	131236201		1	Screw	Vis Vite	Schraube Tornillo
3	025100006		1	Washer	Rondelle Rondella	Unterlegscheibe Arandela
4	131437310		X	Shim	Cale reglage Spessore	Einstellblech Calce
4	131437320		X	Shim	Cale reglage Spessore	Einstellblech Calce
4	131437330		X	Shim	Cale reglage Spessore	Einstellblech Calce
4	131437340		X	Shim	Cale reglage Spessore	Einstellblech Calce
5	011300620		2	Screw	Vis Vite	Schraube Tornillo
6	023100006		2	Nut	Ecrou Dado	Mutter Tuerca
7	027109010		2	Washer	Rondelle Rondella	Unterlegscheibe Arandela
8	131046150		1	Screw	Vis Vite	Schraube Tornillo
9	023109002		1	Nut	Ecrou Dado	Mutter Tuerca
10	025100010		1	Washer	Rondelle Rondella	Unterlegscheibe Arandela
11	198236030		1	Wire	Fil Filo di ferro	Draht Hilo
12	010109270		1	Screw	Vis Vite	Schraube Tornillo
13	023109002		1	Nut	Ecrou Dado	Mutter Tuerca
14	025100010		1	Washer	Rondelle Rondella	Unterlegscheibe Arandela
15	131506650	NO.1 CYL.	1	Injection pipe	Tuyau injection Tubo iniezione	Einspritzleitung Tubo d inyeccion
16	131506660	NO.2 CYL.	1	Injection pipe	Tuyau injection Tubo iniezione	Einspritzleitung Tubo d inyeccion
17	131506670	NO.3 CYL.	1	Injection pipe	Tuyau injection Tubo iniezione	Einspritzleitung Tubo d inyeccion
18	199106020		2	Damper	Damper s poulie Ammortizzatore	Daempfer Valv.reguladora
19	199106020		2	Damper	Damper s poulie Ammortizzatore	Daempfer Valv.reguladora
20	010100625		2	Screw	Vis Vite	Schraube Tornillo
21	020100006		2	Nut	Ecrou Dado	Mutter Tuerca

K9166 AFHK-002-A



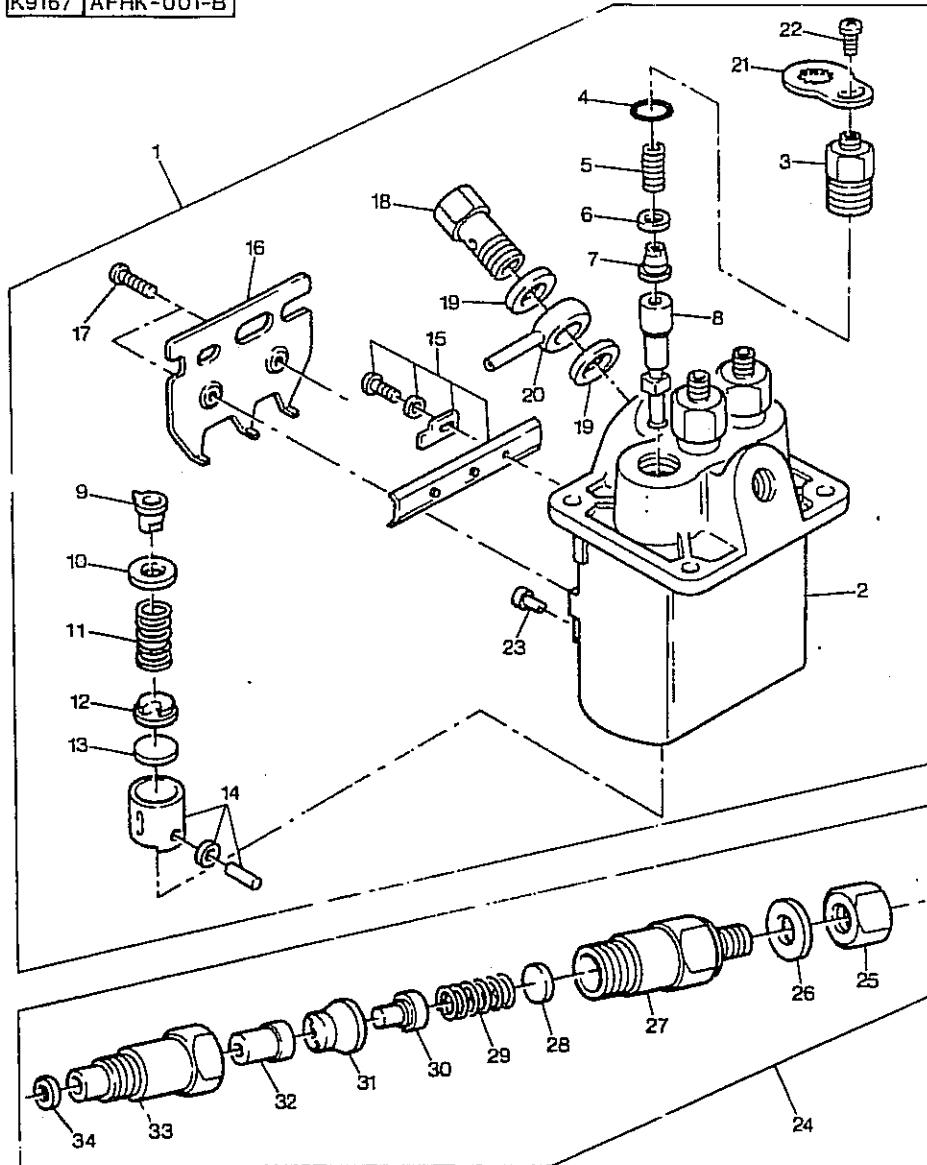
FUEL INJECTION EQUIPMENT (DIESEL)
 EQUIPEMENT D'INJECTION (DIESEL)
 EINSPRITZANLAGE (DIESEL)
 EQUIPAGGIAMENTO INIEZIONE NAFTA (DIESEL)
 EQUIPO DE INYECCION DEL COMBUSTIBLE (DIESEL)
 AFHK2070

PLATE A
 PLAQUE A
 PLATTE A
 PIASTRA A
 PLACA A

22	027100006		2	Washer	Rondelle Rondella	Unterlegscheibe Arandela
23	131406330	(A)	3	Atomiser	Injecteur Atomizzatore	Zerstaeuber Atomizador
24	111346020		3	Cap	Chapeau Cappello	Kappe Tapa
25	111316230		3	Insert	Douille Inserto	Einsatzstueck Insercion
26	198996050		3	Seal	Bague etancheite Paraolio	Dichtring Reten
27	131606150		1	Leak-off pipe	Tuyauterie fuite Tubo drenaggio	Leckoel-leitung Tubo de escape.

(A) SEE FOLLOWING PARTS LIST FOR SERVICE COMPONENTS
 VOIR CHAPITRE SUIVANT POUR DETAILS
 FUER SERVICE TEILE S.NACHFOLGENDE E.T.LISTE
 VEDERE DI SEGUITO PER COMPONENTI SERVINILI
 VEASE LA LISTA DE PIEZAS QUE SIGUE PARA LOS COMPONENTES DE SERVICIO

K9167 AFHK-001-B

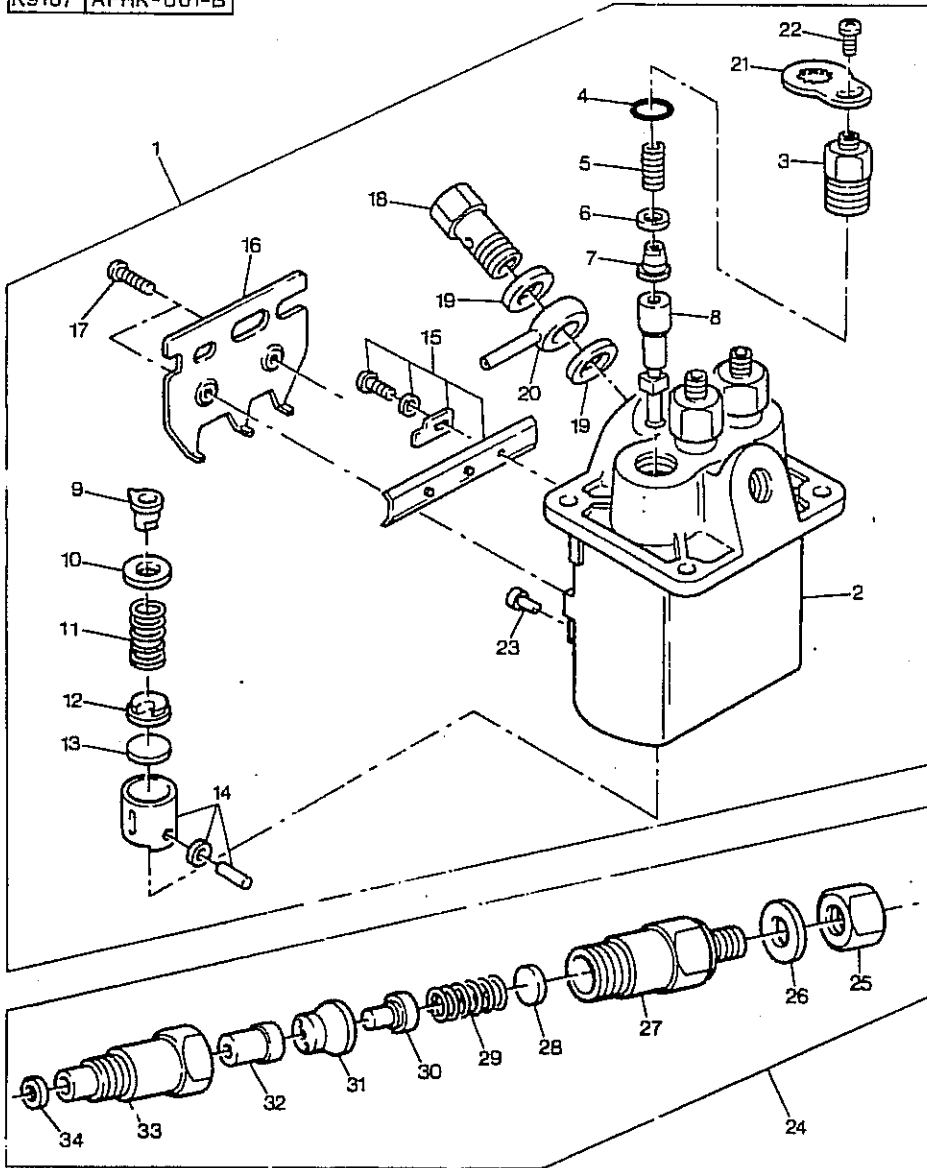


FUEL INJECTION EQUIPMENT (DIESEL)
 EQUIPEMENT D'INJECTION (DIESEL)
 EINSPRITZANLAGE (DIESEL)
 EQUIPAGGIAMENTO INIEZIONE NAFTA (DIESEL)
 EQUIPO DE INYECCION DEL COMBUSTIBLE (DIESEL)
 AFHK2070

PLATE B
 PLAQUE B
 PLATTE B
 PIASTRA B
 PLACA B

1	131017310		1	Injection pump	Pompe injection Pompa iniezione	Einspritzpumpe Bomba inyectora
2	131296665	1	1	Housing	Carter Carcassa	Gehaeuse Alojamiento
3	131196120	1	3	Holder	Piece support Supporto di base	Halter Sujetador
4	131226170	1	3	O ring	Joint torique Anello or	O-ring Junta torica
5	131176430	1	3	Spring	Ressort Molla	Feder Muelle
6	131186100	1	3	Gasket	Joint Guarnizione	Dichtscheibe Empaquedatura
7	131156160	1	3	Valve	Soupape Valvola	Ventil Valvula
8	131116390	1	3	Element	Element Elemento	Element Elemento
9	131296638	1	3	Sleeve	Manchon Manicotto	Huelse Mancha
10	131296620	1	3	Seat	Siege Sedile	Sitz Asiento
11	131176440	1	3	Spring	Ressort Molla	Feder Muelle
12	131296621	1	3	Seat	Siege Sedile	Sitz Asiento
13	131296622	Ⅹ (+)1.85MM	X	Plate	Plaque Piastra	Platte Plato
13	131296623	Ⅹ (+)1.90MM	X	Plate	Plaque Piastra	Platte Plato
13	131296624	Ⅹ (+)1.95MM	X	Plate	Plaque Piastra	Platte Plato
13	131296625	Ⅹ (+)2.00MM	X	Plate	Plaque Piastra	Platte Plato
13	131296626	Ⅹ (+)2.05MM	X	Plate	Plaque Piastra	Platte Plato
13	131296627	Ⅹ (+)2.10MM	X	Plate	Plaque Piastra	Platte Plato
13	131296628	Ⅹ (+)2.15MM	X	Plate	Plaque Piastra	Platte Plato
13	131296629	Ⅹ (+)2.20MM	X	Plate	Plaque Piastra	Platte Plato
13	131296630	Ⅹ (+)2.25MM	X	Plate	Plaque Piastra	Platte Plato
13	131296631	Ⅹ (+)2.30MM	X	Plate	Plaque Piastra	Platte Plato
13	131296632	Ⅹ (+)2.35MM	X	Plate	Plaque Piastra	Platte Plato
13	131296633	Ⅹ (+)2.40MM	X	Plate	Plaque Piastra	Platte Plato

K9167 AFHK-001-B

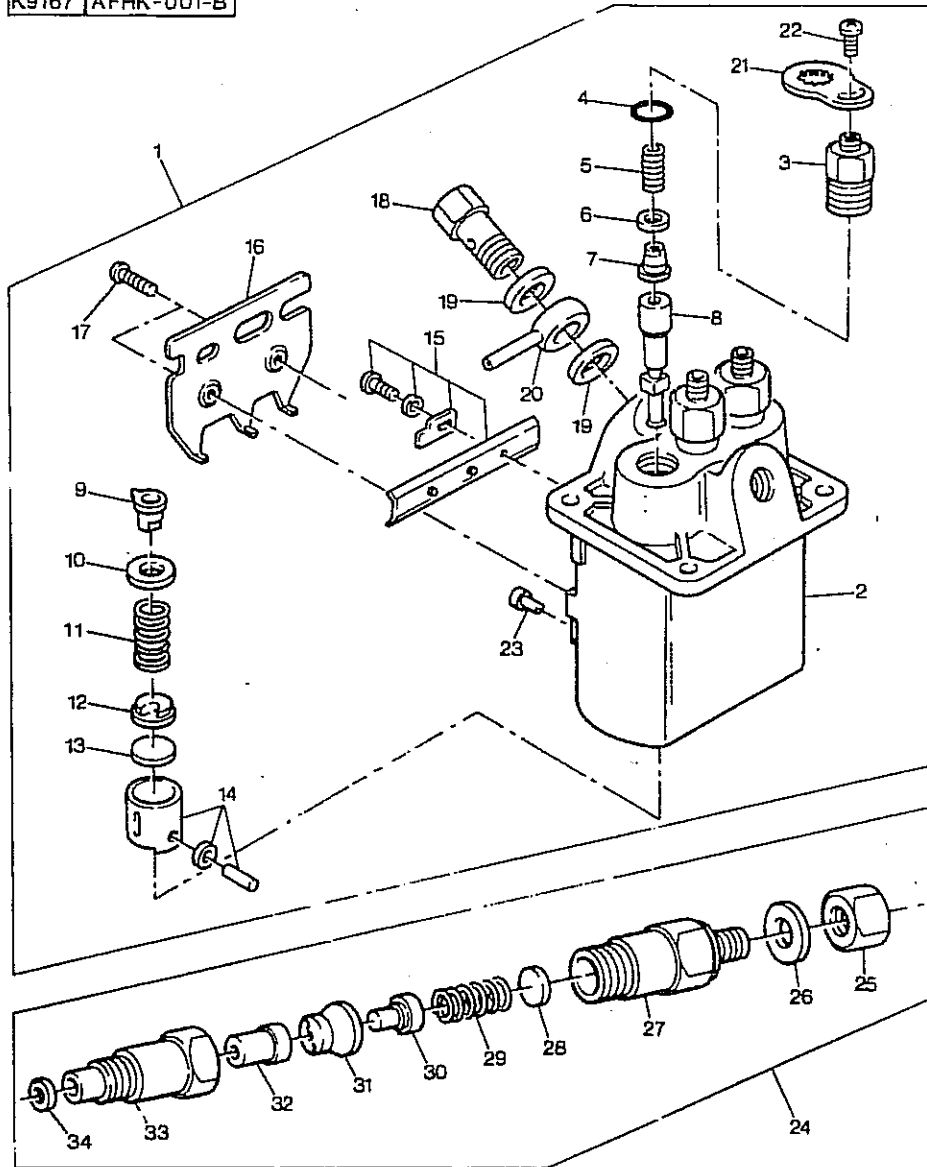


FUEL INJECTION EQUIPMENT (DIESEL)
 EQUIPEMENT D'INJECTION (DIESEL)
 EINSPRITZANLAGE (DIESEL)
 EQUIPAGGIAMENTO INIEZIONE NAFTA (DIESEL)
 EQUIPO DE INYECCION DEL COMBUSTIBLE (DIESEL)
 AFHK2070

PLATE B
 PLAQUE B
 PLATTE B
 PIASTRA B
 PLACA B

13	131296634	I (+)2.45MM	X	Plate	Plaque Piastra	Platte Plato
13	131296635	I (+)2.50MM	X	Plate	Plaque Piastra	Platte Plato
14	131256120	1	3	Tappet	Poussoir soupape Punteria	Ventilstoessel Taquet
15	131296636	1	1	Rack	Cremaillere Cremagliera	Zahnstange Barra dentada
16	131296650	1	1	Bracket	Support fixation Supporto fissagg	Haltearm Soporte
17	131136320	1	2	Screw	Vis Vite	Schraube Tornillo
18	131236190	1	1	Bolt	Boulon Bullone	Masch.schraube Perno
19	131426180	1	2	Washer	Rondelle Rondella	Unterlegscheibe Arandela
20	131246130	1	1	Nipple	Graisseur coude Niplo	Nippel Niple
21	131296662	1	3	Plate	Plaque Piastra	Platte Plato
22	131136330	1	3	Screw	Vis Vite	Schraube Tornillo
23	131296651	1	3	Pin	Goupille Perno	Bolzen Pasador
24	131406330	1	1	Atomiser	Injecteur Atomizzatore	Zerstaeuber Atomizador
25	131446008	24	1	Nut	Ecrou Dado	Mutter Tuerca
26	131426120	24	1	Washer	Rondelle Rondella	Unterlegscheibe Arandela
27	131446054	24	1	Body	Corps Corpo	Koerper Cuerpo
28	131436540	I (+)1.00MM	X	Washer	Rondelle Rondella	Unterlegscheibe Arandela
28	131436550	I (+)1.05MM	X	Washer	Rondelle Rondella	Unterlegscheibe Arandela
28	131436560	I (+)1.10MM	X	Washer	Rondelle Rondella	Unterlegscheibe Arandela
28	131436570	I (+)1.15MM	X	Washer	Rondelle Rondella	Unterlegscheibe Arandela
28	131436580	I (+)1.20MM	X	Washer	Rondelle Rondella	Unterlegscheibe Arandela
28	131436590	I (+)1.25MM	X	Washer	Rondelle Rondella	Unterlegscheibe Arandela
28	131436600	I (+)1.30MM	X	Washer	Rondelle Rondella	Unterlegscheibe Arandela
28	131436610	I (+)1.35MM	X	Washer	Rondelle Rondella	Unterlegscheibe Arandela
28	131436620	I (+)1.40MM	X	Washer	Rondelle Rondella	Unterlegscheibe Arandela

K9167 AFHK-001-B

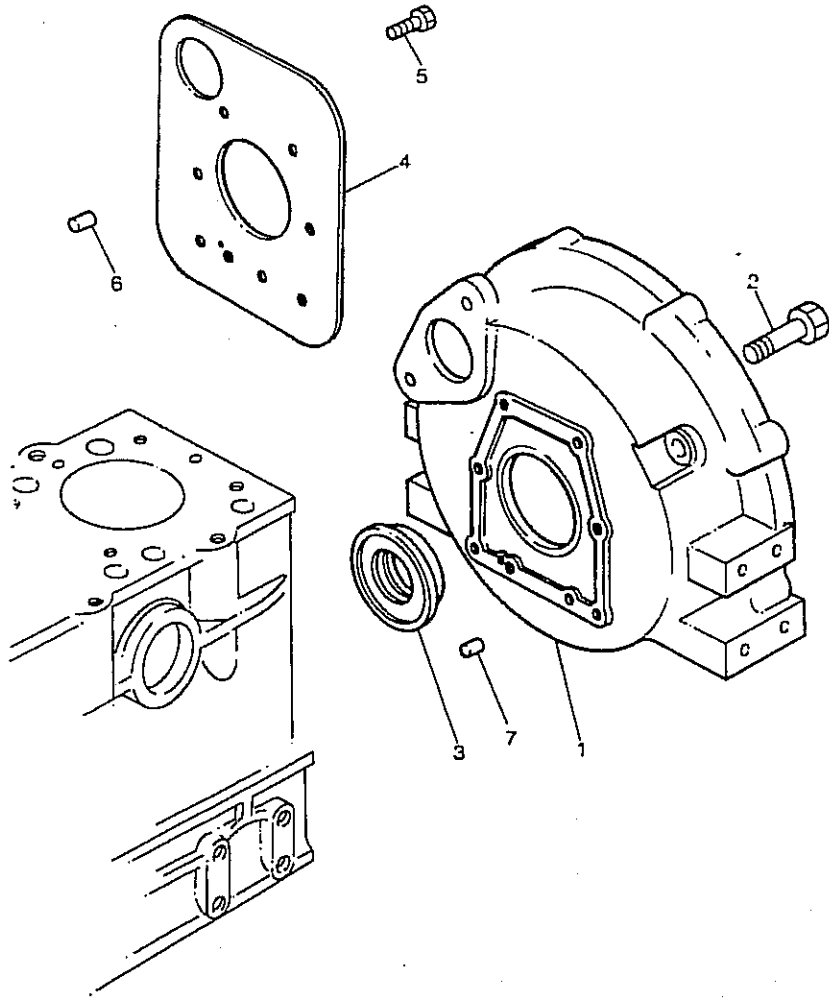


FUEL INJECTION EQUIPMENT (DIESEL)
 EQUIPEMENT D'INJECTION (DIESEL)
 EINSPRITZANLAGE (DIESEL)
 EQUIPAGGIAMENTO INIEZIONE NAFTA (DIESEL)
 EQUIPO DE INYECCION DEL COMBUSTIBLE (DIESEL)
 AFHK2070

PLATE B
 PLAQUE B
 PLATTE B
 PIASTRA B
 PLACA B

28	131436630	X (+)1.45MM	X	Washer	Rondelle Rondella	Unterlegscheibe Arandela
28	131436640	X (+)1.50MM	X	Washer	Rondelle Rondella	Unterlegscheibe Arandela
28	131436650	X (+)1.55MM	X	Washer	Rondelle Rondella	Unterlegscheibe Arandela
28	131436660	X (+)1.60MM	X	Washer	Rondelle Rondella	Unterlegscheibe Arandela
28	131436670	X (+)1.65MM	X	Washer	Rondelle Rondella	Unterlegscheibe Arandela
28	131436680	X (+)1.70MM	X	Washer	Rondelle Rondella	Unterlegscheibe Arandela
28	131436690	X (+)1.75MM	X	Washer	Rondelle Rondella	Unterlegscheibe Arandela
28	131436700	X (+)1.80MM	X	Washer	Rondelle Rondella	Unterlegscheibe Arandela
28	131436710	X (+)1.85MM	X	Washer	Rondelle Rondella	Unterlegscheibe Arandela
28	131436720	X (+)1.90MM	X	Washer	Rondelle Rondella	Unterlegscheibe Arandela
28	131436730	X (+)1.95MM	X	Washer	Rondelle Rondella	Unterlegscheibe Arandela
29	131446011	24	1	Spring	Ressort Molla	Feder Muelle
30	131446012	24	1	Pin	Goupille Perno	Bolzen Pasador
31	131446013	24	1	Spacer	Entretoise Distanziale	Abstandstueck Pieza distancia
32	131416140	24	1	Nozzle	Nez injecteur Iniettore	Duese Tobera
33	131446042	24	1	Nut	Ecrou Dado	Mutter Tuerca
34	131426130	24	1	Gasket	Joint Guarnizione	Dichtscheibe Empaquedatura

K9206 | CDHK-002-A



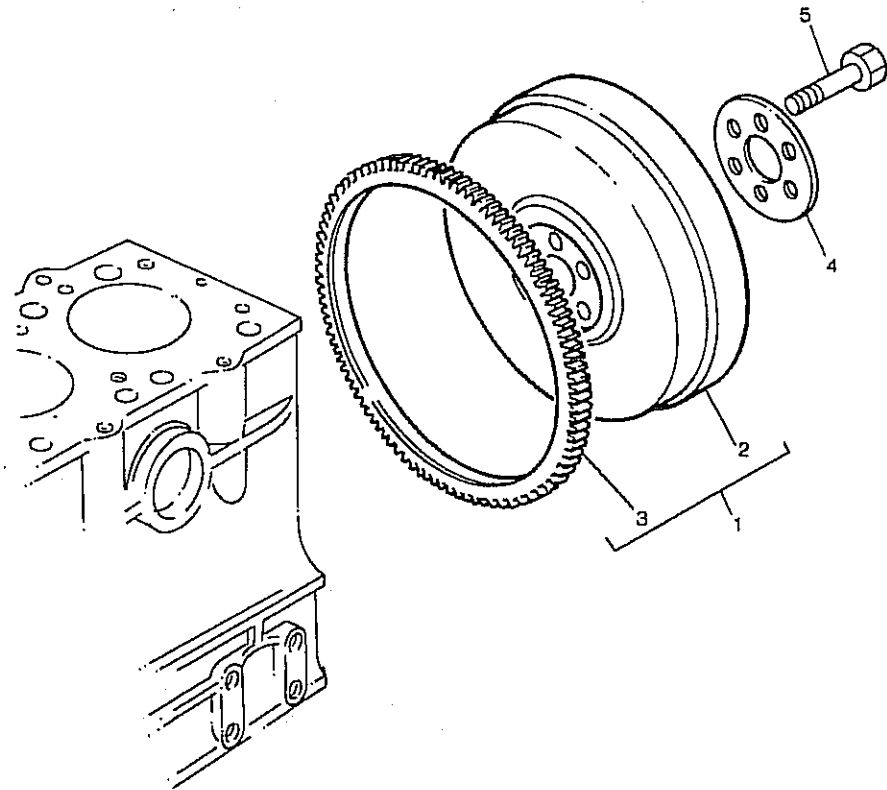
FLYWHEEL HOUSING
 CARTER VOLANT
 SCHWUNGRADGEHAEUSE
 CARCASSA VOLANO
 CARTER DEL VOLANTE

PLATE A
 PLAQUE A
 PLATTE A
 PIASTRA A
 PLACA A

CDHK0727

3	198636080	1	Seal	Bague etancheite Paraolio	Dichtring Reten
4	110366240	1	Plate	Plaque Piastra	Platte Plato
5	011311020	8	Screw	Vis Vite	Schraube Tornillo
6	030501025	2	Dowel	Plot Spina	Zylinderstift Centraje

K9216 DDHK-001-A



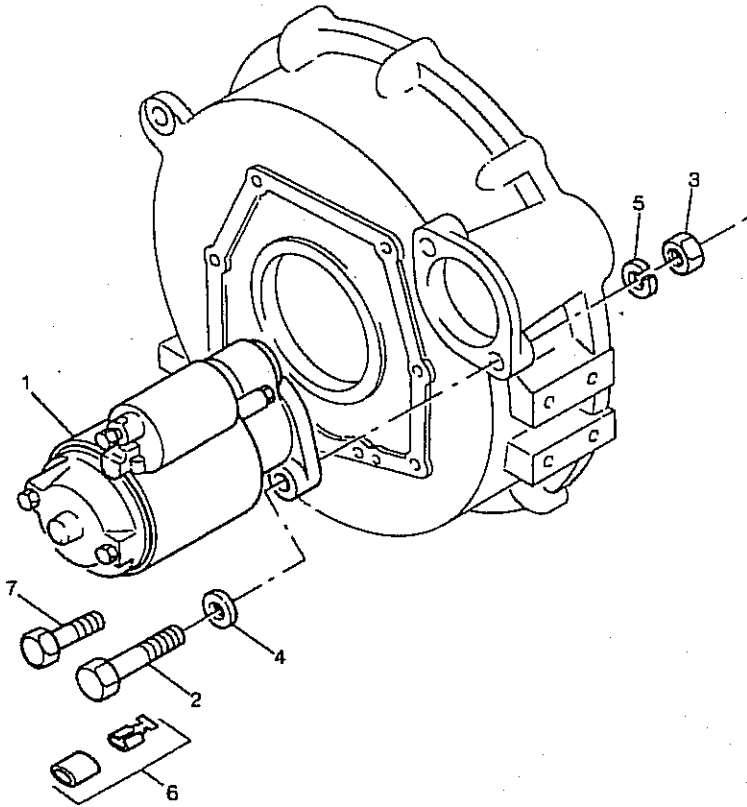
FLYWHEEL AND STARTER RING
VOLANT ET COURONNE DEMARRAGE
SCHWUNGRAD UND ZAHNKRANZ
VOLANO E CORONA AVVIAMENTO
VOLANTE Y ARO DE ARRANQUE

PLATE A
PLAQUE A
PLATTE A
PIASTRA A
PLACA A

DDHK0817

3	115376040	1	Starter ring	Couronne demarr Corona avviam	Anlasszahnkranz Aro de arranque
5	010109341	6	Bolt	Boulon Bullone	Masch.schraube Perno

K9221 EDHK-002-A



STARTER MOTOR
 DEMARREUR
 ANLASSER
 MOTORING AVVIAMENTO
 ARRANCADOR

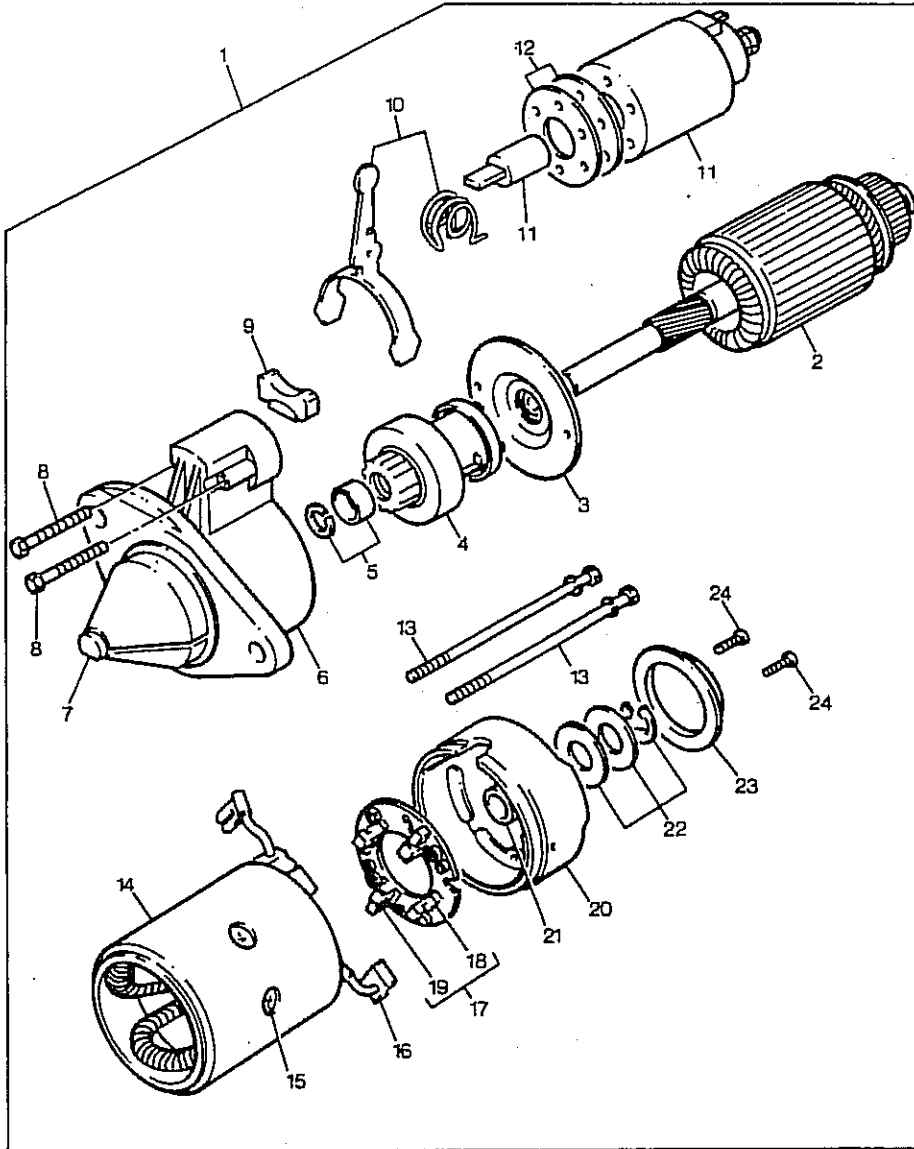
PLATE A
 PLAQUE A
 PLATTE A
 PIASTRA A
 PLACA A

EDHK0581

1	185086321	(A)	1	Startermotor	Demarreur Motorino avviam.	Anlasser Motor arranque
2	010101045		2	Screw	Vis Vite	Schraube Tornillo
3	020100010		2	Nut	Ecrou Dado	Mutter Tuerca
* 4	026200010	● 026100010	2	Washer	Rondelle Rondella	Unterlegscheibe Arandela
5	027100010		2	Washer	Rondelle Rondella	Unterlegscheibe Arandela

(A) SEE FOLLOWING PARTS LIST FOR SERVICE COMPONENTS
 VOIR CHAPITRE SUIVANT POUR DETAILS
 FUER SERVICETEILE S.NACHFOLGENDE E.T.LISTE
 VEDERE DI SEGUITO PER COMPONENTI SERVINILI
 VEASE LA LISTA DE PIEZAS QUE SIGUE PARA LOS COMPONENTES DE SERVICIO

K9222 EDHK-001-B



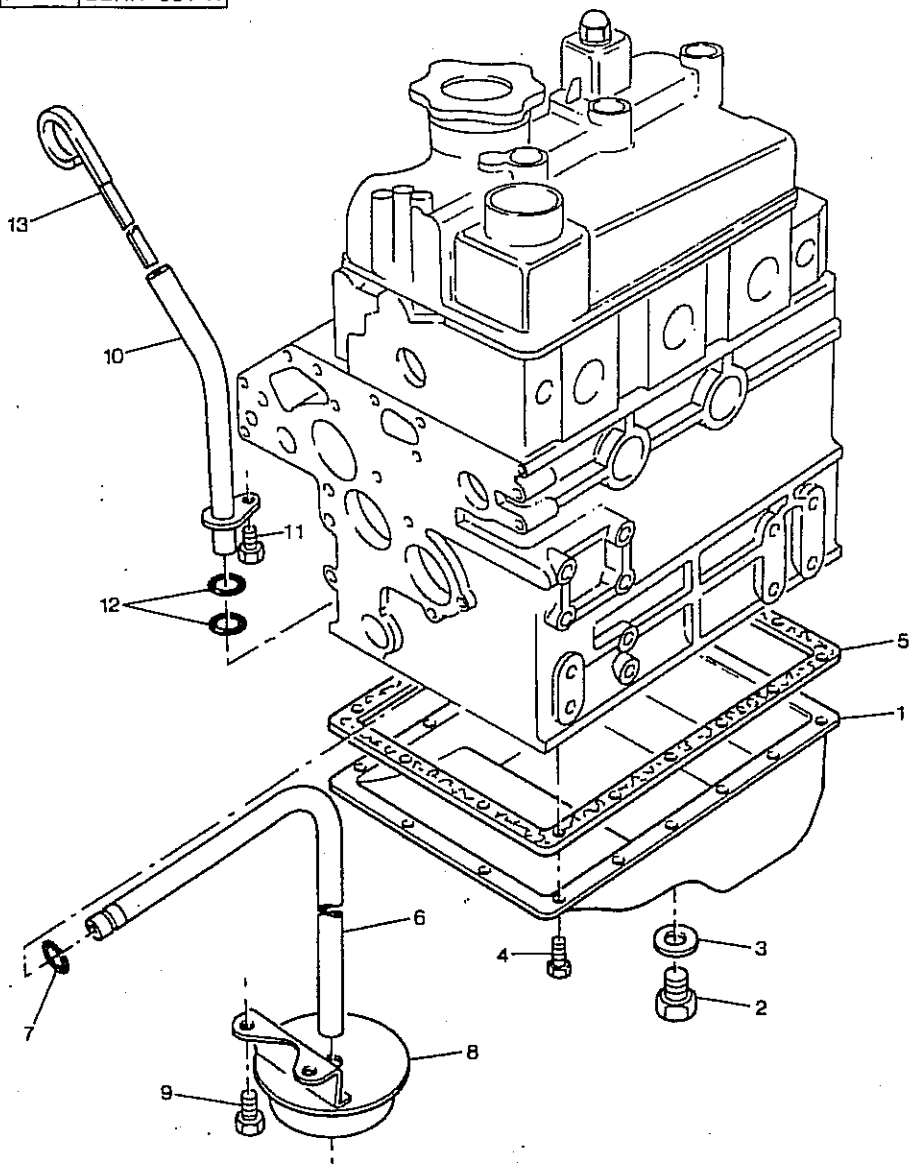
STARTER MOTOR
 DEMARREUR
 ANLASSER
 MOTORINO AVVIAMENTO
 ARRANCADOR

PLATE B
 PLAQUE B
 PLATTE B
 PIASTRA B
 PLACA B

EDHK0581

1	185086321	1	Startermotor	Demarreur Motorino avviam.	Anlasser Motor arranque
2	185846159	1	Armature	Induit Armatura	Induktionsanker Inducido
3	185846163	1	Plate	Plaque Piastra	Platte Plato
4	185866050	1	Gear	Engrenage Ingranaggio	Zahnrad Engranaje
5	185846127	1	Pinion	Pignon Pignone	Ritzel Pinon
6	185846454	1	Case	Caissette Cassa	Kasten Estuche
7	185846134	6	Bush	Bague Boccola	Buchse Casquillo
8	185846300	1	Bolt	Boulon Bullone	Masch.schraube Perno
9	185846136	1	Cover	Couvercle Coperchio	Deckel Cubierta
10	185846165	1	Lever	Levier Leva	Hebel Palanca
11	185816180	1	Switch	Interrupteur Interruttore	Schalter Interruptor
12	185846136	1	Cover	Couvercle Coperchio	Deckel Cubierta
13	185846166	2	Bolt	Boulon Bullone	Masch.schraube Perno
14	185846160	1	Coil	Bobine Bobina	Knickschutzfeder Bobina
15	185846161	4	Screw	Vis Vite	Schraube Tornillo
16	185416130	4	Brush	Balai Spazzola	Buerste Escobilla
17	185416150	1	Holder	Piece support Supporto di base	Halter Sujetador
18	185416141	2	Brush	Balai Spazzola	Buerste Escobilla
19	185846119	4	Spring	Ressort Molla	Feder Muelle
20	185846449	1	Cover	Couvercle Coperchio	Deckel Cubierta
21	185846131	20	Bush	Bague Boccola	Buchse Casquillo
22	185846126	1	Washer	Rondelle Rondella	Unterlegscheibe Arandella
23	185846136	1	Cover	Couvercle Coperchio	Deckel Cubierta
24	015140412	2	Screw	Vis Vite	Schraube Tornillo

K9231 GBHK-001-A



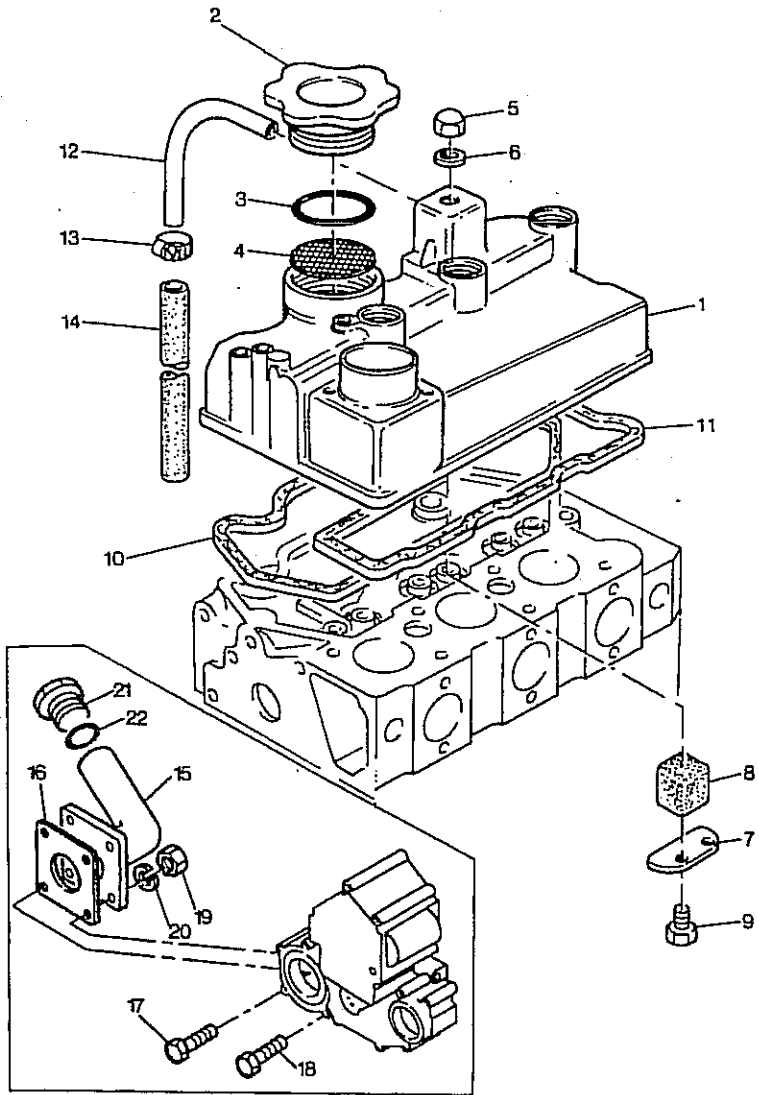
LUBRICATING OIL SUMP
 CARTER D'HUILE
 SCHMIERDELWANNE
 COPPA OLIO
 CARTER DEL ACEITE LUBRICANTE

GBHK1376

PLATE A
 PLAQUE A
 PLATTE A
 PIASTRA A
 PLACA A

1	110706850	1	Sump	Carter d huile Sottocoppa	Oilwanne Carter
2	010401212	1	Plug	Bouchon Tappo	Verschl.stopfen Tapon
3	025100012	1	Washer	Rondelle Rondella	Unterlegscheibe Arandela
4	010109235	20	Screw	Vis Vite	Schraube Tornillo
5	110996491	1	Joint	Joint plat Giunto	Dichtung Junta
6	140986480	1	Pipe	Canalisation Tubo	Rohrleitung Cano
7	052100110	1	O ring	Joint torique Anello or	O-ring Junta torica
8	140406270	1	Strainer	Crepine Colino	Filtersieb Colador
9	011300612	2	Bolt	Boulon Bullone	Masch.schraube Perno
10	110756070	1	Tube	Tube Tubo	Rohr Tubo
11	011300612	1	Bolt	Boulon Bullone	Masch.schraube Perno
12	052100100	2	O ring	Joint torique Anello or	O-ring Junta torica
13	198416270	1	Dipstick	Jauge Asta livello	Messtab Varilla aceite

K9251 HBHK-002-A

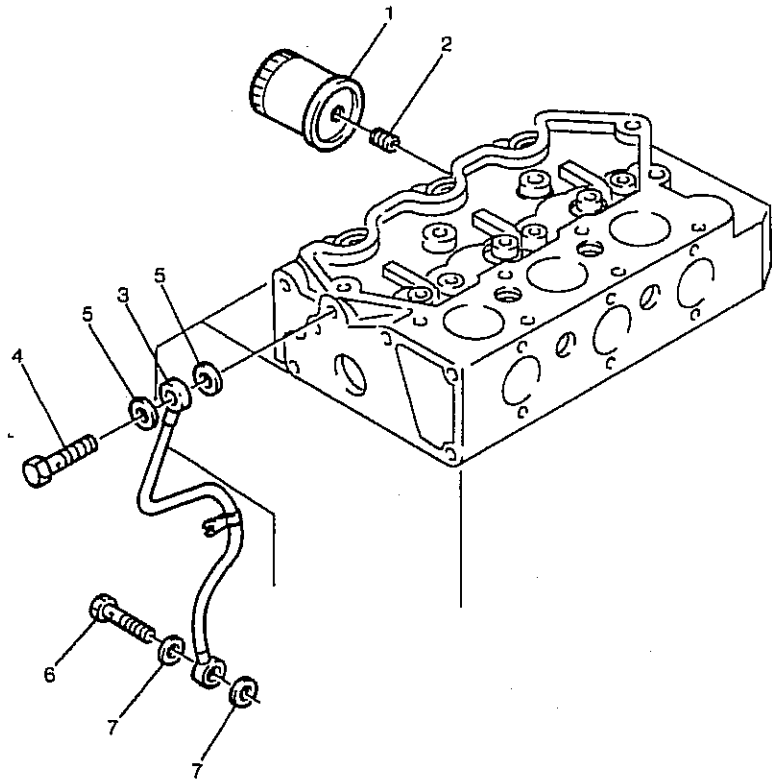


LUBRICATING OIL FILLER AND BREATHER
 REMPLISSEUR D'HUILE ET RENIFLARD
 DELEINFUELLSTUTZEN UND ENTLUEFTUNG
 TAPPO RIEMPIMENTO E SFIATATOIO
 RENIFLARD Y LLENADO DEL ACEITE LUBRICANTE
 HBHK1384

PLATE A
 PLAQUE A
 PLATTE A
 PIASTRA A
 PLACA A

1	111216400	→ 88/09/01	1	Cyl.head cover	Couvre culasse Coperchio testa	Zyl.kopfdeckel Tapa de culata
*	1	↑ 88/09/01 ● 111026430	1	Cover	Couvercle Coperchio	Deckel Cubierta
2	198436010		1	Cap	Chapeau Cappello	Kappe Tapa
3	052100400		1	Seal	Bague etancheite Paraolio	Dichtring Reten
*	4	2 → REF.2	1	Plate	Plaque Piastra	Platte Plato
5	024500008		3	Nut	Ecrou Dado	Mutter Tuerca
6	198996060		3	Washer	Rondelle Rondella	Unterlegscheibe Arandela
7	110666050		1	Plate	Plaque Piastra	Platte Plato
8	110666060		1	Gauze	Gaze Garza	Gaze Gasa
9	011300612		2	Bolt	Boulon Bullone	Masch.schraube Perno
10	052109061		1	Joint	Joint plat Giunto	Dichtung Junta
11	111996271		1	Joint	Joint plat Giunto	Dichtung Junta
12	110986340	→ 88/09/01	1	Pipe	Canalisation Tubo	Rohrleitung Cano
13	198346090		1	Clip	Circlip Fermaglio	Schelle Crapa reten
14	068122560		1	Hose	Durite Tubo flessibile	Schlauch Flexible

K9271 JBHK-001-A



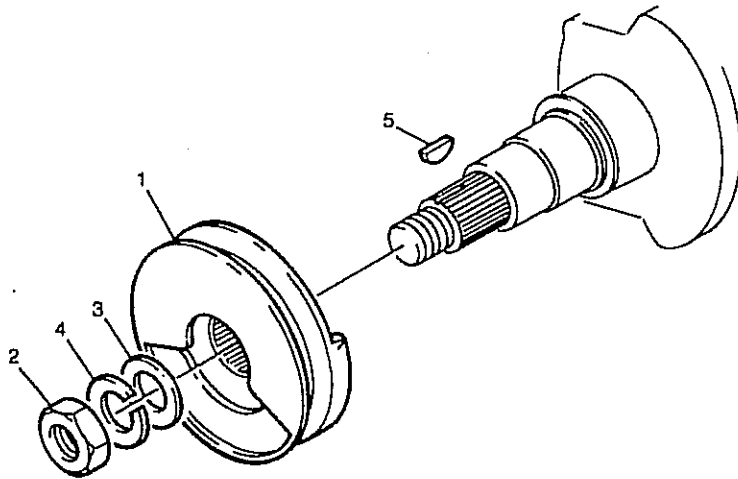
LUBRICATING OIL FILTER AND INTEGRAL OIL COOLER
 FILTRE A HUILE ET REFROIDISSEUR D'HUILE
 SCHMIEROELFILTER UND MOTORSEITIGER DELHUEHLER
 FILTRO OLIO E REFRIGERATORE INTEGRALE
 FILTRO Y ENGRIDADOR INTEGRAL

PLATE A
 PLAQUE A
 PIATRA A
 PLACA A

JBHK1029

1	140516190	1	Oil filter	Filtre huile Filtro olio	Oelfilter Filtro de aceite
2	140546020	1	Connection	Connexion Conessione	Verbindung Conexion
3	140606670	1	Pipe	Canalisation Tubo	Rohrleitung Cano
4	198486780	1	Bolt	Boulon Bullone	Masch.schraube Perno
5	198996060	2	Washer	Rondelle Rondella	Unterlegscheibe Arandela
6	198486780	1	Bolt	Boulon Bullone	Masch.schraube Perno
7	198996060	2	Washer	Rondelle Rondella	Unterlegscheibe Arandela

K9301 KBHK-002-A



FRONT END DRIVE INPUT
 PUISSANCE ABSORBEE A L'AVANT
 KURBELWELLENGETRIEBE (VORNE)
 TRASMISSIONE ANTERIORE ENTRATA
 ENTRADA DEL MANDO DELANTERO

PLATE A
 PLAQUE A
 PLATTE A
 PIASTRA A
 PLACA A

KBHK0567

* 1	115396430	(C)	1	Pulley	Poulie Puleggia	Riemenscheibe Polea
* 1	115396910	(D)	1	Pulley	Poulie Puleggia	Riemenscheibe Polea
2	020800018		1	Nut	Ecrou Dado	Mutter Tuerca
* 3	026200018	(A,C)	1	Washer	Rondelle Rondella	Unterlegscheibe Arandela
* 4	027100018	(A,C)	1	Washer	Rondelle Rondella	Unterlegscheibe Arandela
* 5	034100508	(B,D)	1	Key	Clavette Chiavetta	Passkeil Clave

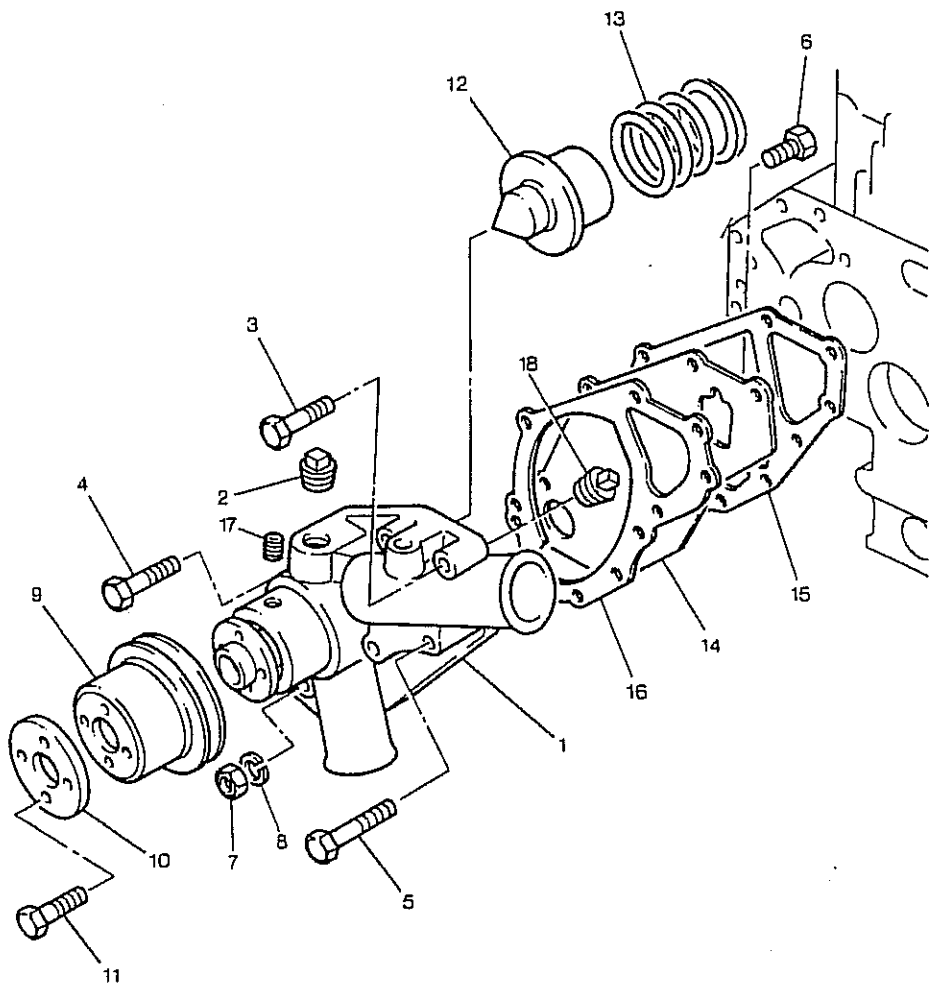
*(A) USED ONLY WITH 115396430
 EMPLOYEE SEULEMENT AVEC 115396430
 NUR FUER 115396430
 EMPLEADA SOLAMENTE CON 115396430
 USATO SOLO CON 115396430

*(B) USED ONLY WITH 115396910
 EMPLOYEE SEULEMENT AVEC 115396910
 NUR FUER 115396910
 EMPLEADA SOLAMENTE CON 115396910
 USATO SOLO CON 115396910

*(C) USED ONLY WITH 115256441
 EMPLOYEE SEULEMENT AVEC 115256441
 NUR FUER 115256441
 EMPLEADA SOLAMENTE CON 115256441
 USATO SOLO CON 115256441

*(D) USED ONLY WITH 115256491
 EMPLOYEE SEULEMENT AVEC 115256491
 NUR FUER 115256491
 EMPLEADA SOLAMENTE CON 115256491
 USATO SOLO CON 115256491

K9321|LBHK-003-A

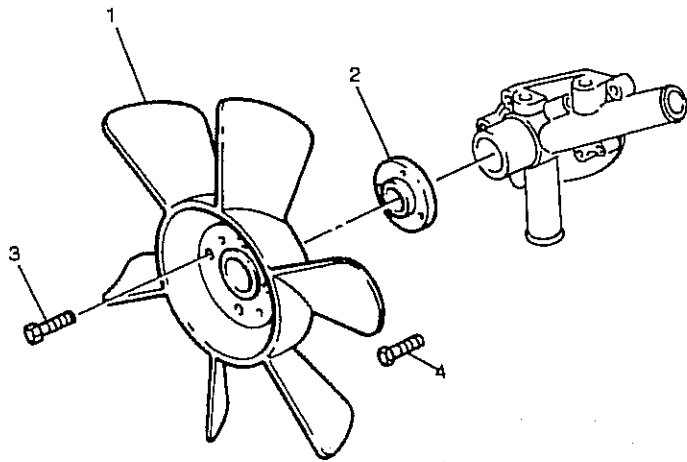


WATER PUMP,THERMOSTAT AND HEAT EXCHANGER
 POMPE A EAU,THERMOSTAT,ECHANGEUR DE CHALEUR ET REFRROID
 WASSERPUMPE,THERMOSTAT UND WAERMETAUSCHER
 POMPA ACQUA,TERMOSTATO E SCAMBIATORE DI CALORE
 BOMBA DEL AGUA,TERMOSTATO CAMBIADOR DE TEMPERATURA
 LBHK1430

PLATE A
 PLANCHE A
 PLATTE A
 PIASTRA A
 PLACA A

* 1	145016471	● 145016470	1	Water pump	Pompe a eau Pompa acqua	Wasserpumpe Bomba de agua
2	064500030		2	Plug	Bouchon Tappo	Verschl.stopfen Tapon
3	011300660		1	Screw	Vis Vite	Schraube Tornillo
4	011300635		2	Screw	Vis Vite	Schraube Tornillo
5	011300635		2	Screw	Vis Vite	Schraube Tornillo
6	011300616		1	Screw	Vis Vite	Schraube Tornillo
7	023100006		1	Nut	Ecrou Dado	Mutter Tuerca
9	145336490		1	Pulley	Poulie Puleggia	Riemenscheibe Polea
10	145386520		1	Plate	Plaque Piastra	Platte Plato
11	011310614		4	Screw	Vis Vite	Schraube Tornillo
12	145206021		1	Thermostat	Thermostat Termostato	Thermostat Termostato
13	198216790		1	Spring	Ressort Molla	Feder Mueller
14	145146090		1	Plate	Plaque Piastra	Platte Plato
15	145996270		1	Joint	Joint plat Giunto	Dichtung Junta
16	145996280		1	Joint	Joint plat Giunto	Dichtung Junta

K9350 MDHK-002-A



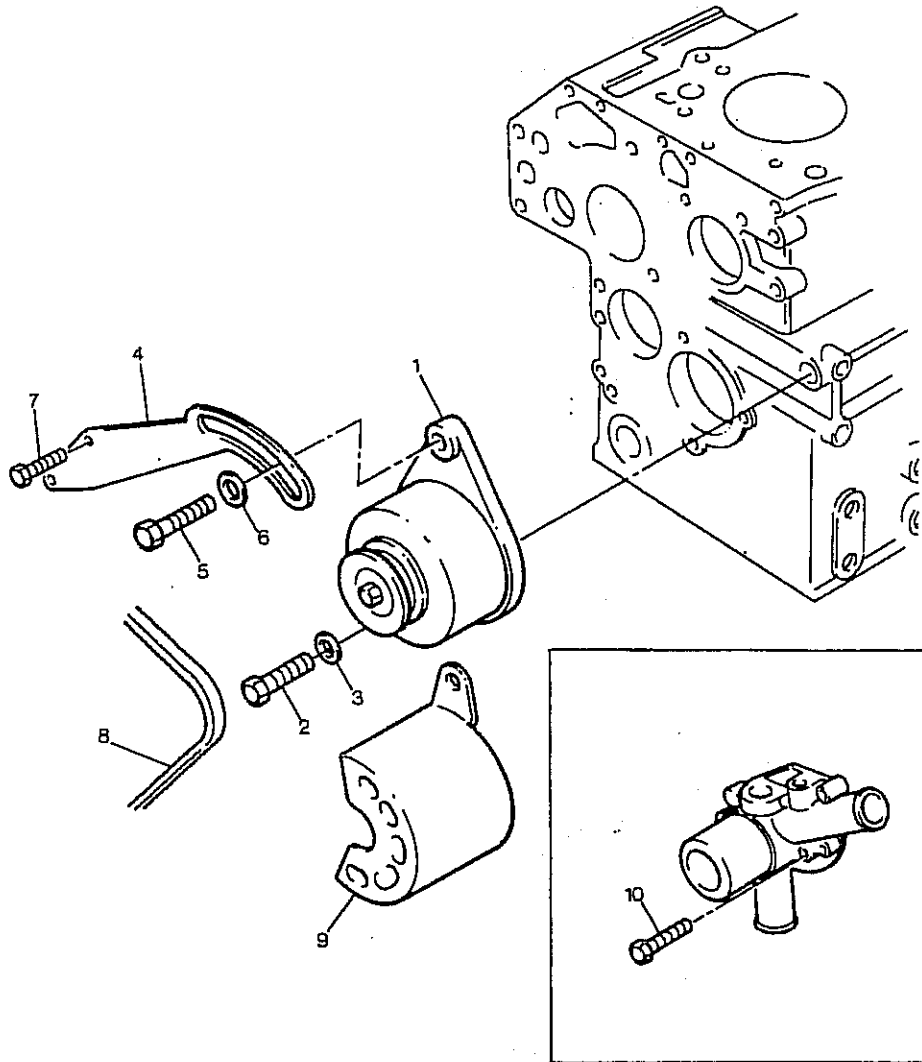
FAN AND EXTENSION
VENTILATEUR ET ENTRETOISE
LUFTER UND ZWISCHENSTUECK
VENTOLA E DISTANZIALE
VENTILADOR Y PROLONGACION

MDHK0782

PLATE A
PLAQUE A
PLATTE A
PIASTRA A
PLACA A

1	145306460	1	Fan	Ventilateur Ventola	Luefter Ventilador
3	011310614	4	Screw	Vis Vite	Schraube Tornillo

K9356 NDHK-001- A



ALTERNATOR AND GENERATOR
 ALTERNATEUR ET DYNAMO
 DREHSTROM-WECHSELSTROM-LICHTMASCHINE
 ALTERNATORE E GENERATORE
 ALTERNADOR Y DINAMO

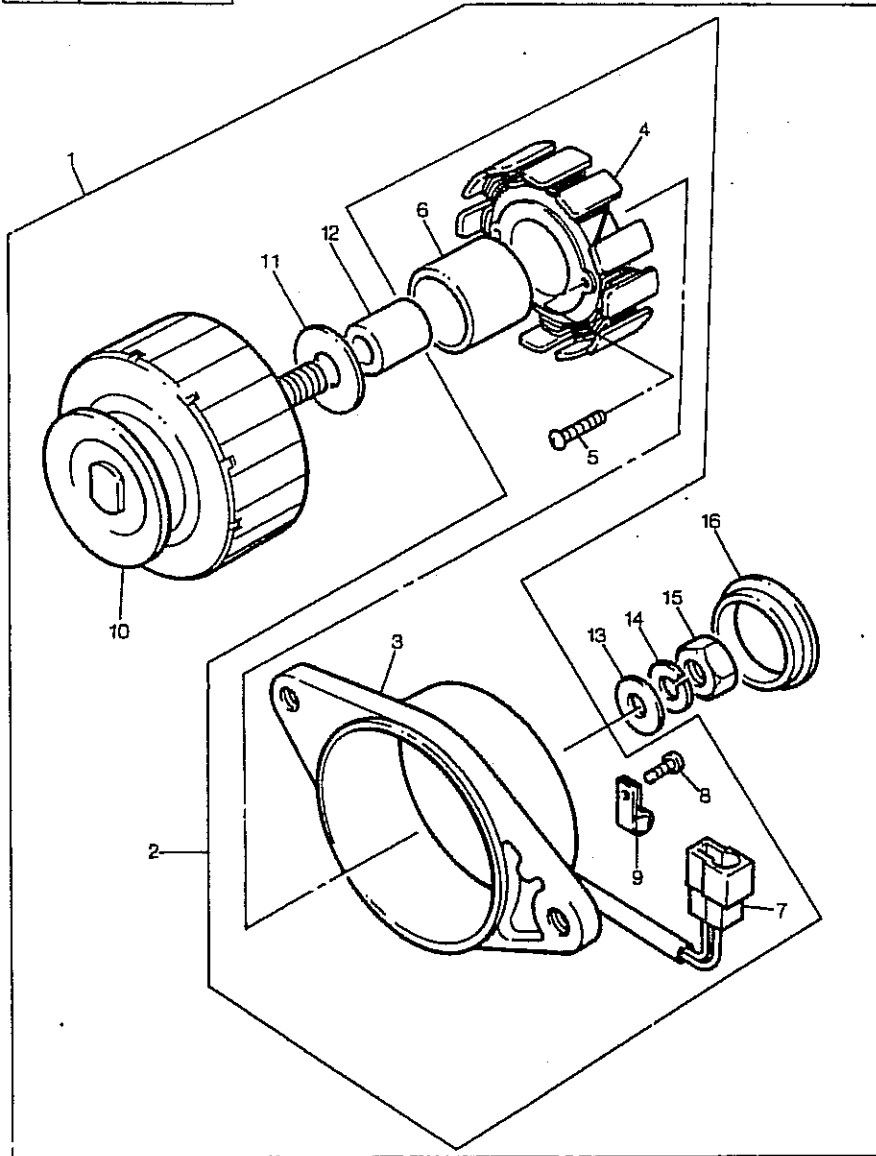
NDHK1756

PLATE A
 PLAQUE A
 PLATTA A
 PIASTRA A
 PLACA A

1	185046160	(A)	1	Alternator	Alternateur Alternatore	Lichtm.drehstrom Alternador
2	011301035		1	Screw	Vis Vite	Schraube Tornillo
3	026100010		1	Washer	Rondelle Rondella	Unterlegscheibe Arandela
4	185726370		1	Lever	Levier Leva	Hebel Palanca
5	011310830		1	Screw	Vis Vite	Schraube Tornillo
6	026100008		2	Washer	Rondelle Rondella	Unterlegscheibe Arandela
7	011300640		2	Screw	Vis Vite	Schraube Tornillo
8	080109034		1	Belt	Courroie Cinghia	Riemen Correa
10	011300645		2	Screw	Vis Vite	Schraube Tornillo

(A) SEE FOLLOWING PARTS LIST FOR SERVICE COMPONENTS
 VOIR CHAPITRE SUIVANT POUR DETAILS
 FUER SERVICE TEILE S.NACHFOLGENDE E.T.LISTE
 VEDERE DI SEGUITO PER COMPONENTI SERVINILI
 VEASE LA LISTA DE PIEZAS QUE SIGUE PARA LOS COMPONENTES DE SERVICIO

K9357 NDHK-001-B



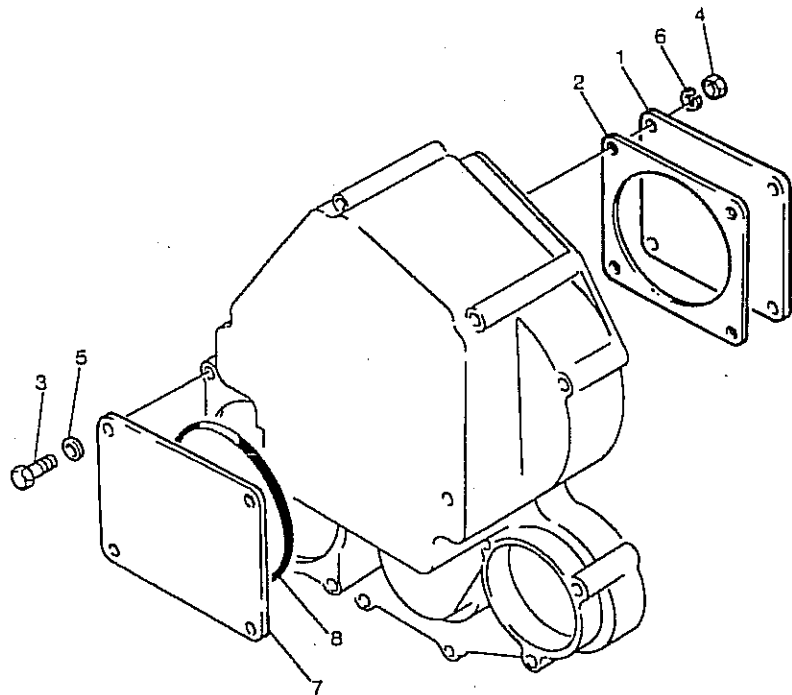
ALTERNATOR AND GENERATOR
 ALTERNATEUR ET DYNAMO
 DREHSTROM-WECHSELSTROM-LICHTMASCHINE
 ALTERNATORE E GENERATORE
 ALTERNADOR Y DINAMO

PLATE B
 PLAQUE B
 PLATTE B
 PIASTRA B
 PLACA B

NDHK1756

1	185046160	1	Alternator	Alternateur Alternatore	Lichtm.drehstrom Alternador
2	185446200	1	Plate	Plaque Piastra	Platte Plato
3	185716190	2	Plate	Plaque Piastra	Platte Plato
4	185446201	2	Stator	Stator Statore	Stator Estator
5	015140425	2	Screw	Vis Vite	Schraube Tornillo
6	040126201	2	Bearing	Coussinet Cuscinetto	Lager Cojinete
7	185446203	2	Connection	Connexion Connessione	Verbindung Conexion
8	015140408	2	Screw	Vis Vite	Schraube Tornillo
9	185446204	2	Clamp	Collier Fascetta	Halteschelle Abrazadera
10	185446199	1	Pulley	Poulie Puleggia	Riemenscheibe Polea
11	040126201	10	Bearing	Coussinet Cuscinetto	Lager Cojinete
12	199236510	1	Collar	Collerette Collare	Flanschring Collar
13	026100010	1	Washer	Rondelle Rondella	Unterlegscheibe Arandela
14	027100010	1	Washer	Rondelle Rondella	Unterlegscheibe Arandela
15	020210010	1	Nut	Ecrou Dado	Mutter Tuerca
16	185446202	1	Cap	Chapeau Cappello	Kappe Tapa

K9405 QDHK-002-A



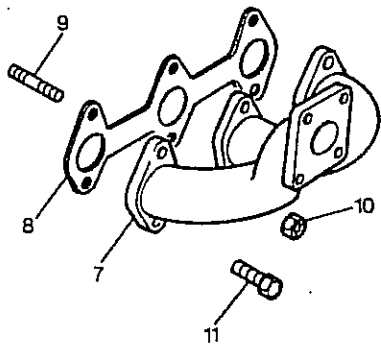
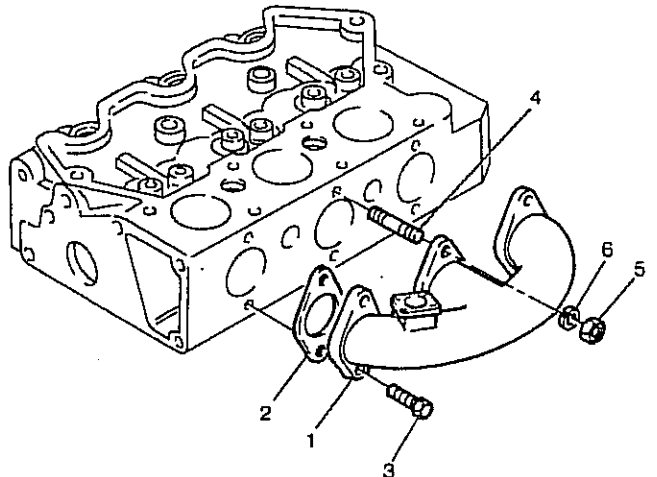
GEAR DRIVE AUXILIARY DRIVE OPTIONS
 ENTRAINEMENT PAR PIGNON DES EQUIPEMENTS AUXILIAIRES
 ZAHNRADANGETRIEBENE NEBENAGGREGATE-WAHLWEISE
 TRASMISSIONE AUSILIARIA A RICHIESTA
 EQUIPO OPCIONAL DE MANDO AUXILIAR ACCIONADO ENGRANAJES
 QDHK0903

PLATE A
 PLAQUE A
 PLATTE A
 PIASTRA A
 PLACA A

● QDHK0856

* 1	165206010	1	Plate	Plaque Piastra	Platte Plato
* 2	165996110	1	Joint	Joint plat Giunto	Dichtung Junta
* 3	011300860	4	Screw	Vis Vite	Schraube Tornillo
* 4	023100008	4	Nut	Ecrou Dado	Mutter Tuerca
* 7	165206010	1	Plate	Plaque Piastra	Platte Plato
* 8	052300600	1	O ring	Joint torique Anello or	O-ring Junta torica

K9480 UBHK-002-A



EXHAUST MANIFOLD
COLLECTEUR ECHAPPEMENT
AUSPUFFKRUEMMER
COLLETTORE DI SCARICO
MULTIPLE DE ESCAPE

PLATE A
PLAQUE A
PLATTE A
PIASTRA A
PLACA A

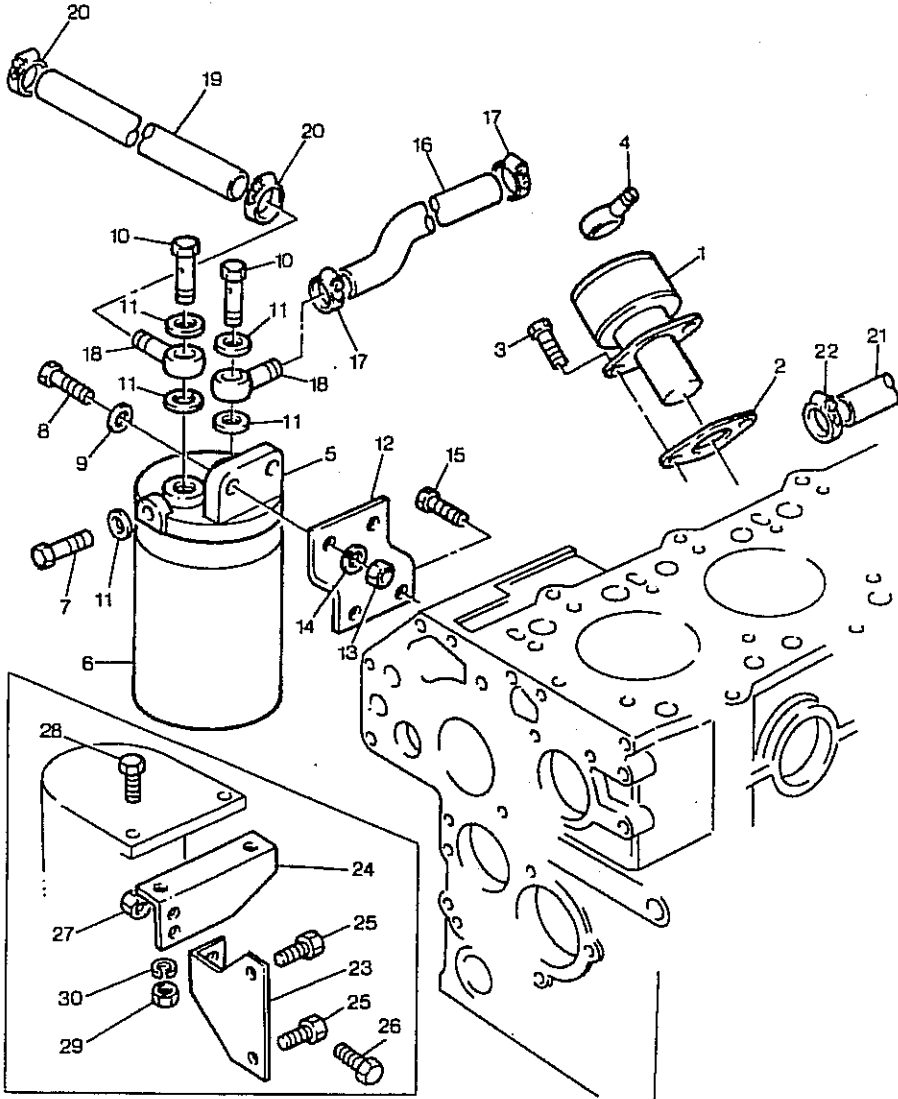
UBHK0343

1	135616311		1	Exhaust manifold	Collecteur ech	Auspuffkruemmer
					Colletore scar.	Colector escape
* 2	135996541	(B)	3	Joint	Joint plat	Dichtung
		● 135996400			Giunto	Junta
3	011310625		3	Screw	Vis	Schraube
					Vite	Tornillo
4	012110625		3	Stud	Goujon	Stehbolzen
					Prigioniero	Esparrago
5	020100006		3	Nut	Ecrou	Mutter
					Dado	Tuerca
6	027100006		3	Washer	Rondelle	Unterlegscheibe
					Rondella	Arandela
* 8	135996541	(C)	1	Joint	Joint plat	Dichtung
		● 135996540			Giunto	Junta

*(B) USE 135996540 - 1 OFF
UTILISER 135996540 - 1 OFF
VERWENDE 135996540 - 1 OFF
USARE 135996540 - 1 OFF
USAR 135996540 - 1 OFF

*(C) WAS 135996400 - 3 OFF
ETAIT 135996400 - 3 OFF
WAR 135996400 - 3 OFF
ERA 135996400 - 3 OFF
ERA 135996400 - 3 OFF

K9500 VBHK-002-A



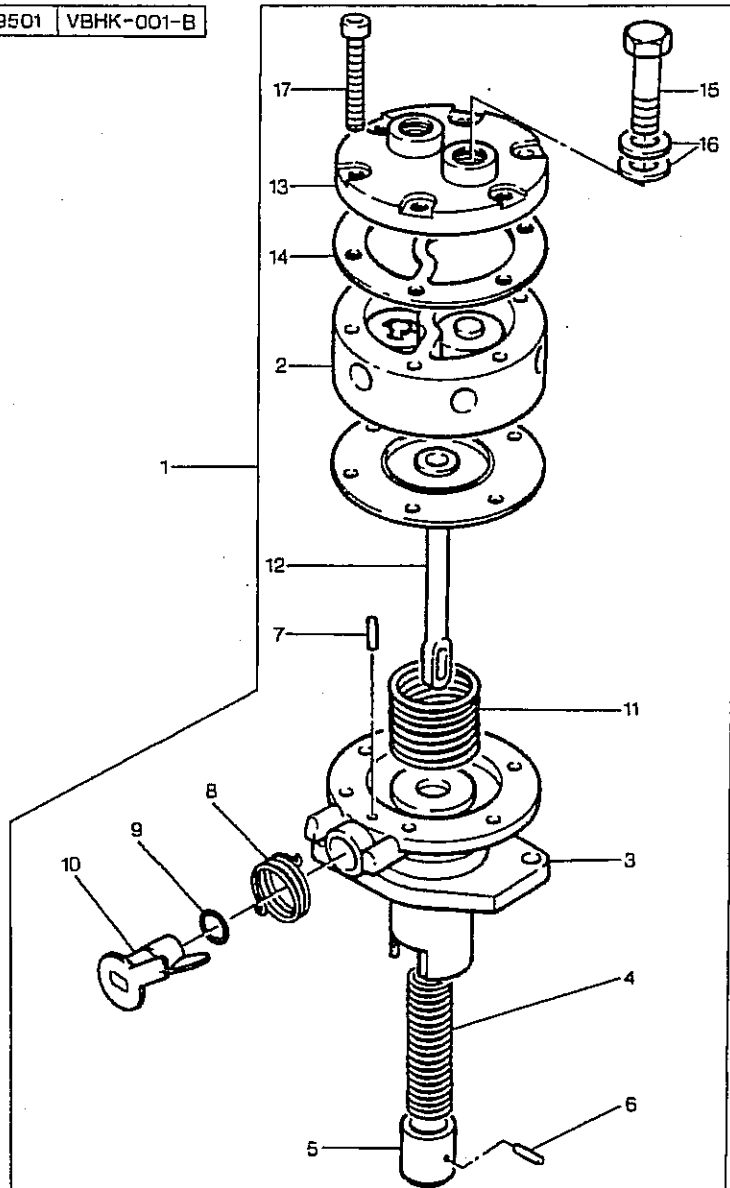
LOW PRESSURE FUEL SYSTEM
 CIRCUIT CARBURANT BASSE PRESSION
 KRAFTSTOFF-NIEDERDRUCKANLAGE
 SISTEMA NAFTA A BASSA PRESSIONE
 SISTEMA DE COMBUSTIBLE A BAJA PRESION-
 VBHK1393

PLATE A
 PLAQUE A
 PLATTE A
 PIASTRA A
 PLACA A

1	130506140	(A)	1	Lift pump	Pompe relevage	Foerderpumpe
2	130996070		1	Joint	Pompa sollevamen	Bomba elevacion
3	011300616		2	Screw	Joint plat	Dichtung
4	198486840		2	Connection	Giunto	Junta
					Vis	Schraube
					Vite	Tornillo
					Connexion	Verbindung
					Conessione	Conexion

(A) SEE FOLLOWING PARTS LIST FOR SERVICE COMPONENTS
 VOIR CHAPITRE SUIVANT POUR DETAILS
 FUER SERVICETEILE S.NACHFOLGENDE E.T.LISTE
 VEDERE DI SEGUITO PER COMPONENTI SERVINILI
 VEASE LA LISTA DE PIEZAS QUE SIGUE PARA LOS COMPONENTES DE SERVICIO

KB9501 VBHK-001-B



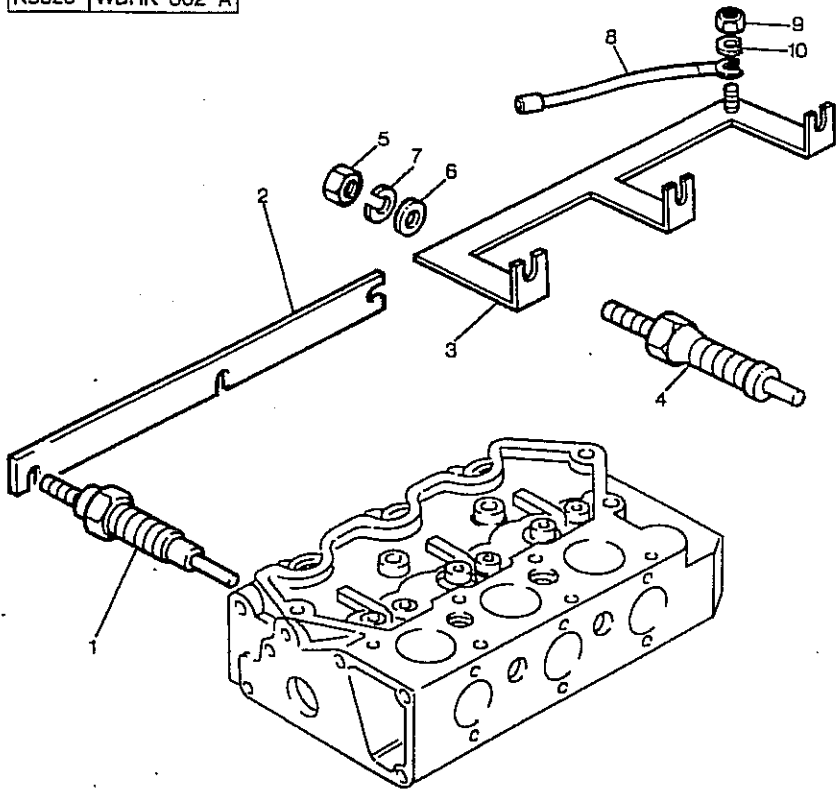
LOW PRESSURE FUEL SYSTEM
 CIRCUIT CARBURANT BASSE PRESSION
 KRAFTSTOFF-NIEDERDRUCKANLAGE
 SISTEMA NAFTA A BASSA PRESSIONE
 SISTEMA DE COMBUSTIBLE A BAJA PRESION

VBHK1393

PLATE B
 PLAQUE B
 PLATTE B
 PIASTRA B
 PLACA B

1	130506140	1	Lift pump	Pompe relevage	Foerderpumpe
				Pompa sollevamen	Bomba elevacion
2		1	REF.1	Body	Koerper
				Corps	Cuerpo
3	130516080	1	Body	Corps	Koerper
				Corpo	Cuerpo
4	130516081	1	Spring	Ressort	Feder
				Molla	Muelle
5	130516082	1	Plunger	Plongeur	Tauchkolben
				Stantuffo	Embolo
6	130516085	1	Pin	Goupille	Bolzen
				Perno	Pasador
7	130516088	1	Pin	Goupille	Bolzen
				Perno	Pasador
8	130516083	1	Spring	Ressort	Feder
				Molla	Muelle
9	131226180	1	O ring	Joint torique	O-ring
				Anello or	Junta torica
10	130516086	1	Lever	Levier	Hebel
				Leva	Palanca
11	130516087	1	Spring	Ressort	Feder
				Molla	Muelle
12	130516084	1	Diaphragm	Membrane	Membran
				Diaframma	Diafragma
13	130516090	1	Cap	Chapeau	Kappe
				Cappello	Tapa
14	130516089	1	Gasket	Joint	Dichtscheibe
				Guarnizione	Empaquedatura
15	130516092	2	Bolt	Boulon	Masch.schraube
				Bullone	Perno
16	130516069	4	Washer	Rondelle	Unterlegscheibe
				Rondella	Arandela
17	130516091	6	Screw	Vis	Schraube
				Vite	Tornillo

K9520 WDHK-002-A



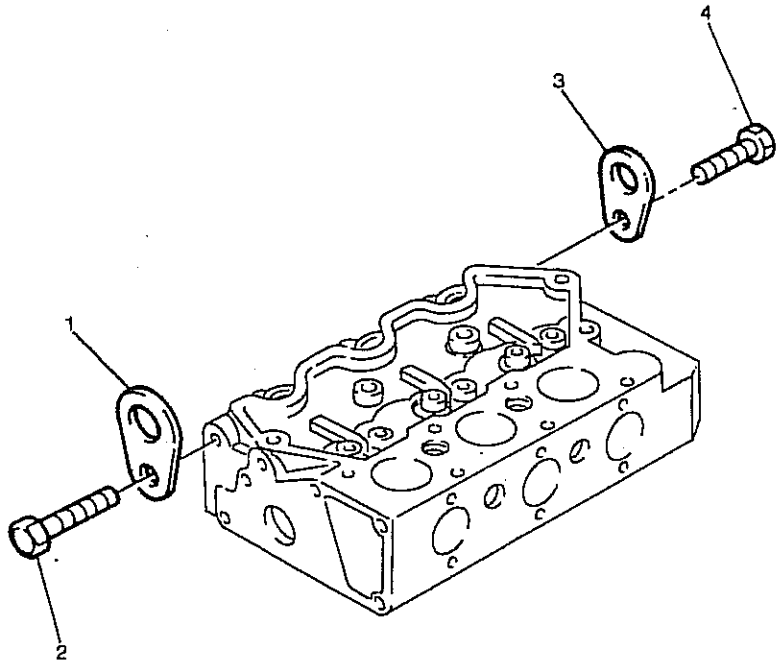
COLD START SYSTEM
DIPOSITIF DEPART A FROID
KALTSTARTANLAGE
AVVIAMENTO A FREDDO
SISTEMA DE ARRANQUE EN TIEMPO FRIO

PLATE A
PLAQUE A
PLATTE A
PIASTRA A
PLACA A

WDHK0192

1	185366060	3	Heater	Chauffage Riscaldatore	Heizung Calentador
2	185376110	1	Bar	Barre Barra	Stab Barra

K9530 XBHK-001-A



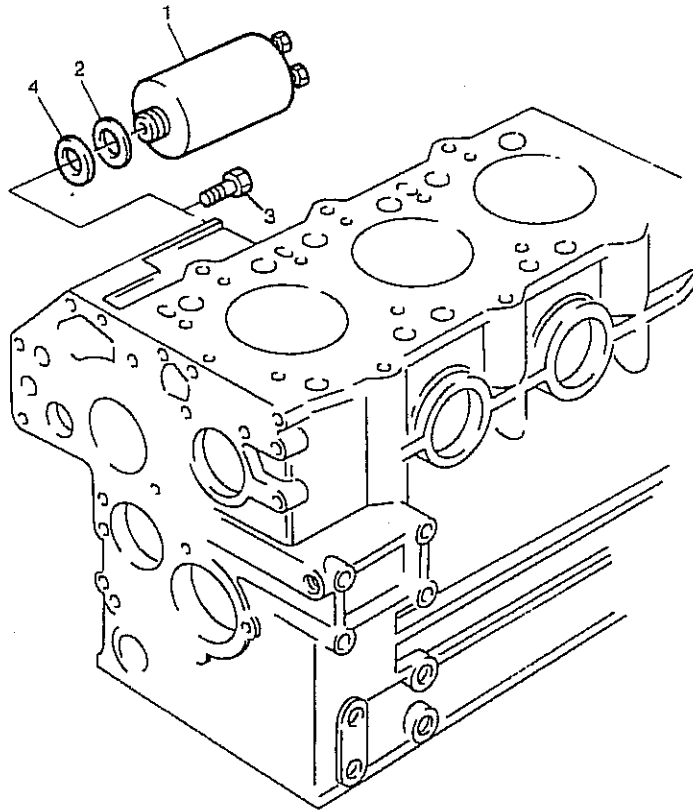
ENGINE LIFTING
 LEVAGE MOTEUR
 MOTORHEBEOESEN
 SOLLEVAMENTO MOTORE
 PLACA LEVANTADORAS DEL MOTOR

PLATE A
 PLAQUE A
 PLATTE A
 PIASTRA A
 PLACA A

XBHK0308

1	195816200	1	Plate	Plaque Piastra	Platte Plato
2	011310816	1	Screw	Vis Vite	Schraube Tornillo
3	195816200	1	Plate	Plaque Piastra	Platte Plato
4	011310816	1	Screw	Vis Vite	Schraube Tornillo

K9540 ZAHK-003-A



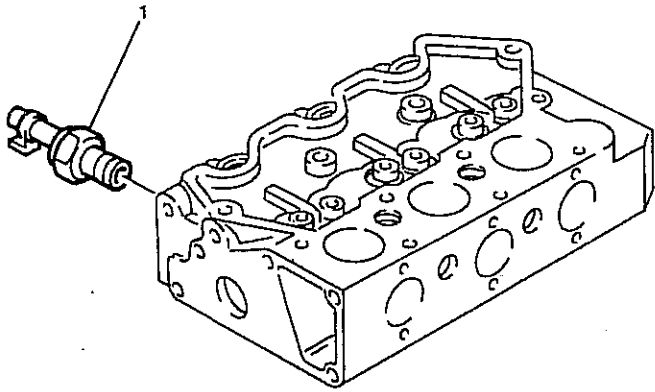
THROTTLE AND STOP CONTROLS
CONTROLE ACCELERATION ET STOP
GAS-UND ABSTELLHEBERL
COMANDO AVVIAMENTO ED ARRESTO
MANDOS DEL ACELERADOR Y PARADA

PLATE A
PLAQUE A
PIASTRA A
PLACA A

ZAHK0519

* 1	185206082	● 185206081	1 Solenoid	Solenoid Solenoid	Magnetspule Solenoid
2	025100016		1 Washer	Rondelle Rondella	Unterlegscheibe Arandela

K9600 ZJHK-001-A

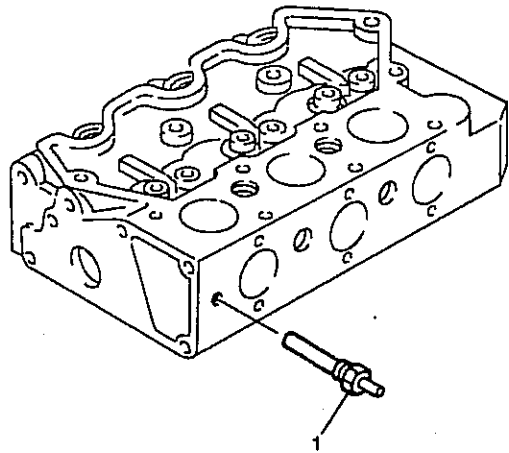


LUB. OIL PRESSURE SWITCH AND GAUGE
MANO. CONTACT PRESSION D'HUILE ET MANOMETRE
OELDRUCKSCHALTER UND OELDRUCKMANOMETER
MANO. E INTERRUETTORE PRESSIONE OLIO
TRANSMISOR E INDICADOR DE LA PRESION DE ACEITE LUB.
ZJHK0404

PLATE A
PLAQUE A
PLATTE A
PIASTRA A
PLACA A

1	185246060	1	Switch	Interrupteur Interruttore	Schalter Interruptor
---	-----------	---	--------	------------------------------	-------------------------

K9620 ZLHK-001-A

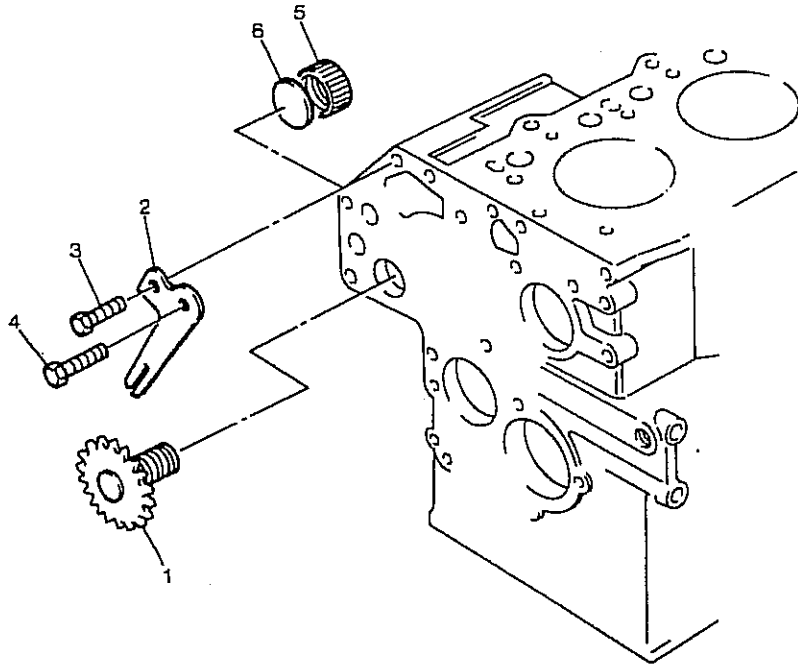


TEMPERATURE GAUGE AND SENDER
MANOMETRE TEMPERATURE TRANSMETTEUR
TEMPERATURANZEIGER UND-GEBER
BULBO E MANOMETRO TEMPERATURA
INDICADOR Y TRANSMISOR DE TEMPERATURA
ZLHK0180

PLATE A
PLAQUE A
PLATTE A
PIASTRA A
PLACA A

* 1	385720230	● 385720101	1	Sender	Emetteur Emittente	Geber Emisor
-----	-----------	-------------	---	--------	-----------------------	-----------------

K9650 ZQHK-001-A



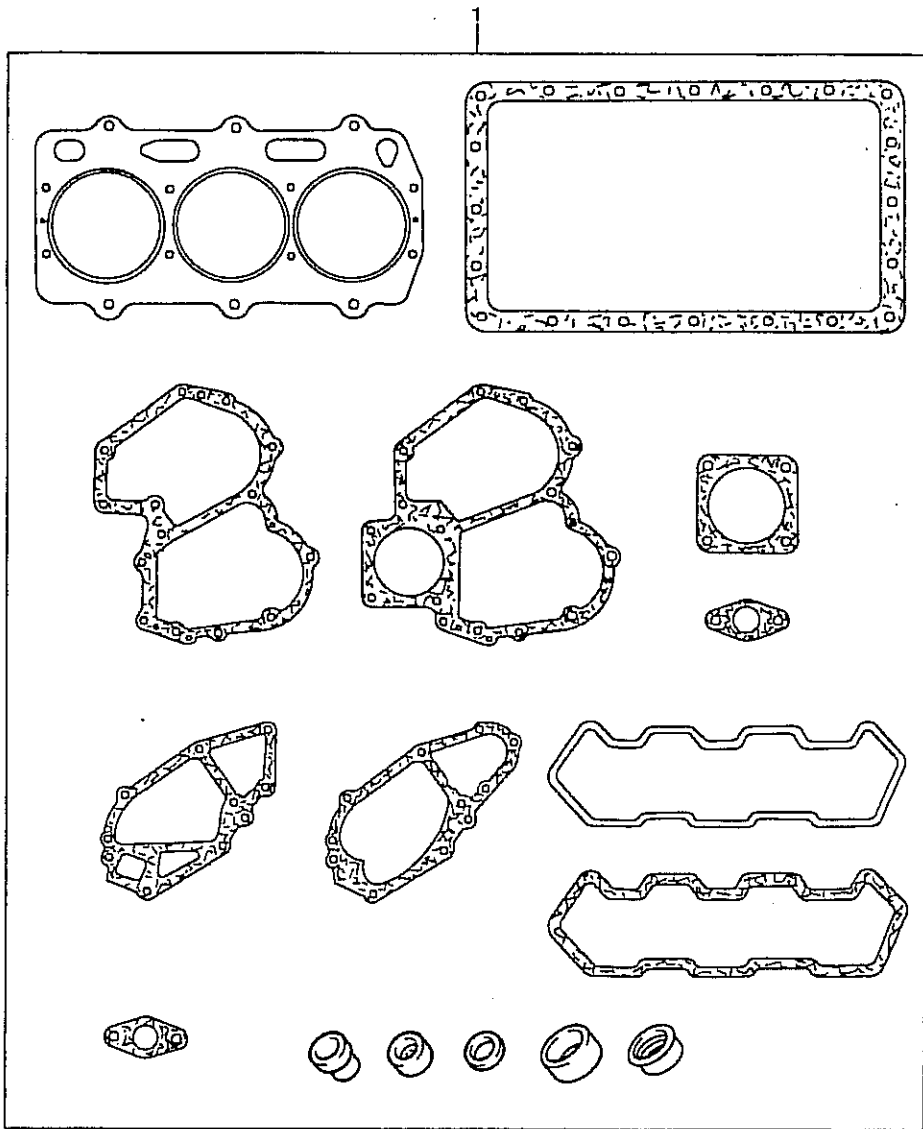
TACHOMETER AND HOUR RECORDER
 COMPTE-TOURS ET COMPTEUR D'HEURES
 TACHOMETER UND STUNDENZAEHLER
 TACHIMETRO E CONTAORE
 TAQUIMETRO Y CONTADOR DE HORAS

PLATE A
 PLAQUE A
 PLATTE A
 PIASTRA A
 PLACA A

ZQHK0523

1	120076070	1	Shaft	Arbre Albero	Welle Arbol
2	199566651	1	Plate	Plaque Piastra	Platte Plato
3	011310612	1	Screw	Vis Vite	Schraube Tornillo
4	010700610	1	Screw	Vis Vite	Schraube Tornillo
5	199376230	1	Cap	Chapeau Cappello	Kappe Tapa
6	120996060	1	Seal	Bague etancheite Paraolio	Dichtring Reten

K9723 SGBK-001-A



JOINTS AND GASKETS - COMPLETE SERVICE KIT
JEU DE JOINTS COMPLET
DICHTRINGE UND DICHTUNGEN KOMPL.REP.-SATZ
SERLE COMPLETA GUARNIZIONI
JUNTAS Y EMPAQUETADURAS.JUEGO COMPLETO DE SERVICIO
SGBK0010

PLATE A
PLANCHE A
SEITE A
TAVOLA A
ILUSTRACION A

1	195906620	● U5LC0010	X Kit,joint/gasket	Jeu de joints Kit guarn/giunto	Dichtungs-satz Jgo.juntas/empa
---	-----------	------------	--------------------	-----------------------------------	-----------------------------------

NUMERICAL INDEX

1		32	052100070	11	115396910	26	131236190	17	131446013	18
3	020100010	21	052100100	23	120016001	9	131236201	14	131446042	18
4	020109075	4		42	120026090	9	131246130	17	131446054	17
5	020109076	8	052100110	23	120076070	41	131256120	17	131506650	14
9	020210010	30	052100150	13	120116100	8	131296620	16	131506660	14
11	020300008	12	052100400	24	120166240	6	131296621	16	131506670	14
24	020800018	26		42	120176250	6	131296622	16	131606150	15
34	023100006	9	052109061	24	120186080	6	131296623	16	135616311	32
42		11	052300600	31	120216040	6	131296624	16	135996541	32
0006350		14	052300700	42	120226070	6	131296625	16	140036111	13
0100625		27	064100045	2	120316171	8	131296626	16	140116140	13
0101045	023100008	8	064200015	2	120336010	8	131296627	16	140166130	13
0109235		31		6	120346170	8	131296628	16	140166160	13
0109264	023109002	14	064200018	6	120366152	8	131296629	16	140186010	13
0109270	024500008	24	064200025	2	120366162	8	131296630	16	140406270	23
0109341	025100006	14	064200030	6	120406050	6	131296631	16	140516190	25
0110630	025100010	14	064200035	2	120406070	6	131296632	16	140546020	25
0401212	025100012	23	064200040	2	120456201	8	131296633	16	140606670	25
0700610	025100016	37	064500030	27	120736081	9	131296634	17	140986480	23
0700845	026100008	29	064609006	8	120996060	41	131296635	17	145016471	27
0810840	026100010	29	068122560	24	125046160	11	131296636	17	145146090	27
1140612		30	080109034	29	125116130	11	131296638	16	145206021	27
1300612	026200008	12	110156111	2	125156170	11	131296650	17	145306460	28
	026200010	11	110156121	3	125156180	12	131296651	17	145336490	27
300616		21	110156131	3	125176071	11	131296662	17	145386520	27
	026200018	26	110186020	2	125256120	9	131296665	16	145996270	27
	027100006	15	110366240	19	125406071	11	131296666	15	145996280	27
300620		32	110666050	24	125416020	11		17	165026100	13
300635	027100010	21	110666060	24	125976120	11	131416140	18	165106290	9
300640		30	110706850	23	130506140	33	131426120	17	165166181	9
		26	110756070	23		34	131426130	18	165206010	31
300645	027100018	14	110986340	24	130516069	34	131426180	17	165266180	13
300660	030300325	8	110996491	23	130516080	34	131436540	17	165296140	2
	030300414	9	111026431	24	130516081	34	131436550	17	165996110	31
300680	030300816	4	111086010	6	130516082	34	131436560	17	165996300	9
300860	030309005	2	111136230	6	130516083	34	131436570	17	165996310	9
	030500512	2	111136240	6	130516084	34	131436580	17	185046160	29
	030500612	3	111147270	6	130516085	34	131436590	17		30
301035	030500616	2	111216400	24	130516086	34	131436600	17	185086321	21
310612	030501025	2	111316230	15	130516087	34	131436610	17		22
310614		19	111316260	6	130516088	34	131436620	17	185206082	37
	030509018	13	111346020	15	130516089	34	131436630	18	185246060	38
310625	030509020	4	111996271	24	130516090	34	131436640	18	185366060	35
310816	031100004	11	115016511	4	130516091	34	131436650	18	185376110	35
310825	034100508	9	115016515	4	130516092	34	131436660	18	185416130	22
310830		26	115016518	4	130996070	33	131436670	18	185416141	22
310850	036500021	5	115016760	4	131017310	14	131436680	18	185416150	22
311020	036509005	3	115016764	4		16	131436690	18	185446199	30
1100635	036800005	11	115016767	4	131046150	14	131436700	18	185446200	30
1100660	036800006	12	115026191	4	131116390	16	131436710	18	185446201	30
1109177	036800008	11	115107201	5	131136320	17	131436720	18	185446202	30
1110620	036800010	13	115107204	5	131136330	17	131436730	18	185446203	30
1110625	040106203	2	115107206	5	131156160	16	131437310	14	185446204	30
1800640	040109048	9	115176150	4	131176430	16	131437320	14	185516060	42
1140408	040126201	30	115236010	4	131176440	16	131437330	14	185716190	30
1140412	040136004	42	115276180	4	131186100	16	131437340	14	185726370	29
1140425	042303015	2	115326231	5	131196120	16	131446008	17	185816180	22
1100006	052100030	11	115376040	20	131226170	16	131446011	18	185846119	22
	052100050	12	115396430	26	131226180	34	131446012	18	185846126	22

NUMERICAL INDEX

1846127	22	199286170	13
1846131	22	199286180	13
1846134	22	199376230	41
1846136	22	199486220	8
1846159	22	199566651	41
1846160	22	314120070	42
1846161	22	314990012	42
1846163	22	340460130	42
1846165	22	360700031	42
1846166	22	360710011	42
1846300	22	360720020	42
1846449	22	360740010	42
1846454	22	360740070	42
1866050	22	360740080	42
1816200	36	385620010	42
1906620	43	385620140	42
1216700	6	385620200	42
1216720	13	385620270	42
1216731	11	385720230	39
1216760	12		
1216780	8		
1216790	27		
1216821	13		
1217200	11		
1236030	14		
1346090	24		
1416270	23		
1436010	24		
1466010	2		
1466030	2		
1466050	2		
1486780	25		
1486840	33		
1517080	2		
1517084	2		
1517087	2		
1517090	2		
1517125	4		
1517290	13		
1586010	4		
1586014	4		
1586017	4		
1586020	4		
1586024	4		
1586027	4		
1636080	19		
1636090	9		
1736120	40		
1996050	15		
1996060	24		
	25		
1106020	14		
1216230	9		
1236510	30		
1236540	13		
1266170	4		
1266180	13		
1286150	13		
1286160	13		