

Lovol Tractor Illustration books of parts (TS4A504-027C)

Lovol Heavy Industry International Trading Co.,Ltd

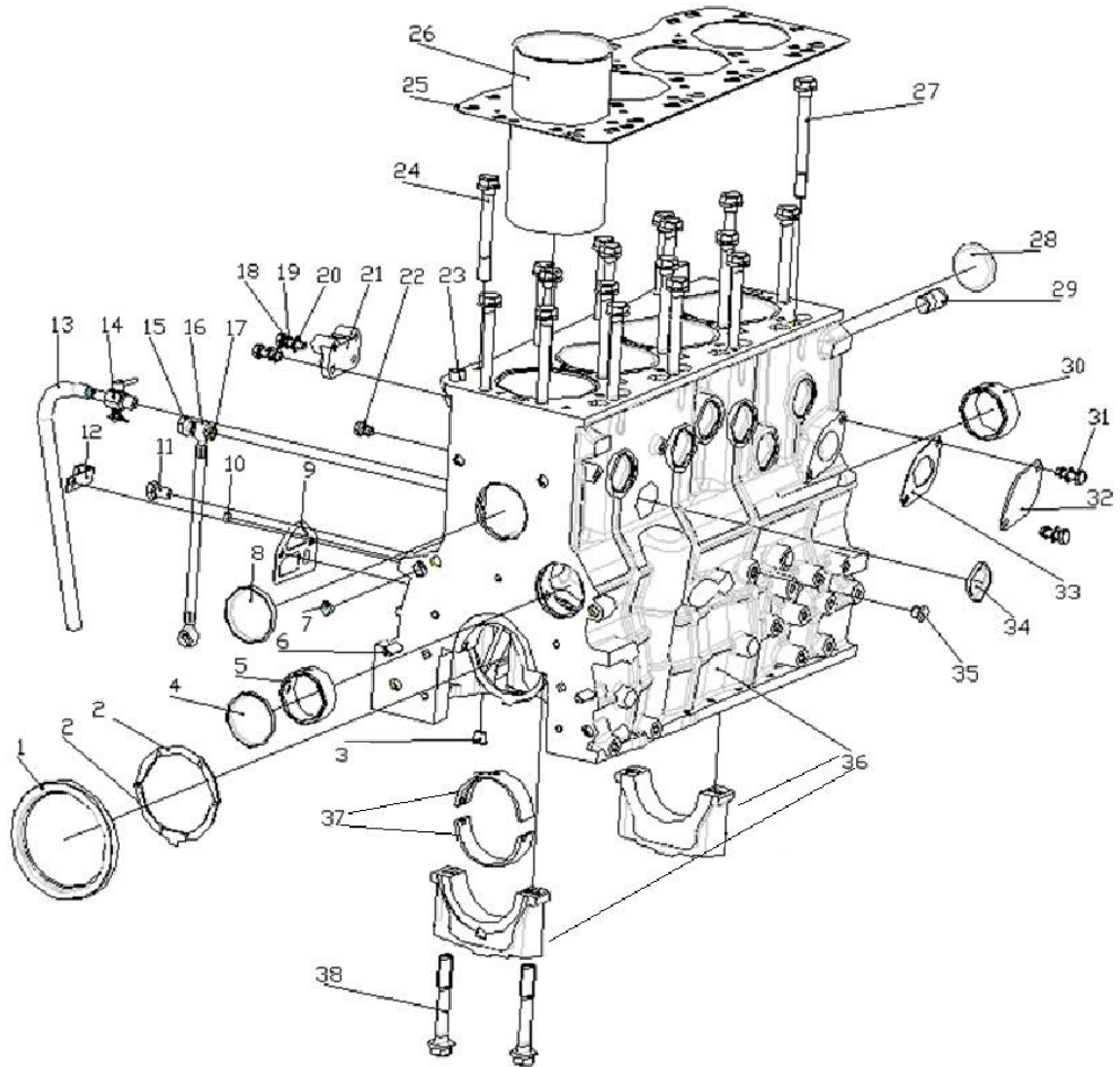
CONTENTS

◆ A498BT1–25H ENGINE ASSY	1
◆ TS04110060000K AIR FILTER SYSTEM ASSEMBLY	40
◆ TS04131060000K COOLING SYSTEM ASSEMBLY	42
◆ TS04132030000K RADIATOR BACKING BOARD INSTALLATION ASSEMBLY	44
◆ TS04201010000 HAND THROTTLE CONTROL ASSEMBLY	46
◆ TS04202010000 FOOT THROTTLE CONTROL ASSEMBLY	48
◆ TS04203010000K PULL WIRE ASSEMBLY	50
◆ TB550. 211A CLUTCH SUBASSEMBLY	52
◆ TB604. 212A CLUTCH CONTROL ASSEMBLY	54
◆ TS04220010000 EXHAUST SYSTEM ASSEMBLY	57
◆ TC02311210000 FRONT DRIVING AXLE ASSEMBLY	60
◆ TB554. 312 FRONT BRACKET ASSEMBLY	75
◆ FT404. 32F. 001 FRONT DRIVING WHEEL ASSEMBLY	77
◆ FT404. 34F. 001 REAR DRIVING WHEEL ASSEMBLY	79
◆ TB400. 35C TOWING MECHANISM INSTALLATION ASSEMBLY	81
◆ TB604. 371 GEARBOX HOUSING ASSEMBLY	83
◆ TB604. 372T MAIN GEARSHIFT ASSEMBLY	85
◆ TB604. 373T AUXILIARY GEARSHIFT ASSEMBLY	89
◆ TS04374010000 GEARBOX CONTROL MECHANISM ASSEMBLY	92
◆ TB604. 375B BREATH ASSEMBLY	100
◆ TB554. 381 SHUTTLE SHIFT ASSEMBLY	102
◆ TB504. 382 REAR AXLE CENTRAL TRANSMISSION ASSEMBLY	104
◆ TS04383010000 DIFFERENTIAL LOCK CONTROL MECHANISM ASSEMBLY	108
◆ TC02384010000K REAR AXLE HOUSING ASSEMBLY	110
◆ TS04385010000 SHUTTLE SHIFT CONTROL MECHANISM	112
◆ TB450. 391 LEFT FINAL TRANSMISSION ASSEMBLY	114
◆ TB450. 392 RIGHT FINAL TRANSMISSION ASSEMBLY	117
◆ TC04401080000 REDIRECTOR OR STEERING COLUMN ASSEMBLY	120
◆ TC02402650000K FULL HYDRAULIC STEERING PIPE ASSEMBLY	122
◆ TC02411010000K PTO GEAR ASSEMBLY	127
◆ TB550. 412A PTO SHAFT ASSEMBLY	130
◆ TS04413010000 PTO CONTROL ASSEMBLY	132
◆ TB554. 421E TRANSFER CASE ASSEMBLY	135
◆ TB454. 422 TRANSFER CASE TRANSMISSION ASSEMBLY	138
◆ TS04423010000K TRANSFER CASE CONTROL ASSEMBLY	142

◆ TB504. 431B LEFT BRAKE ASSEMBLY	144
◆ TB504. 432B RIGHT BRAKE ASSEMBLY	146
◆ TS04433010000K BRAKE SYSTEM CONTROL ASSEMBLY	148
◆ TS04441010000 SEAT INSTALLATION ASSEMBLY	154
◆ TS04451030000K DRIVER' S CAB ASSEMBLY	156
◆ TS04453010000 UPHOLSTERY ASSEMBLY	170
◆ TS04455010000 BACK REAR MUD GUARD DECORATION PART	174
◆ TS04456010000 DASHBOARD ASSEMBLY	176
◆ TS04457010000K FRONT CONNECTING ASSEMBLY	178
◆ TS04458010000 REAR CONNECTING ASSEMBLY	180
◆ TS04459010000 INSULATION LAYER	182
◆ TS04471010000K BONNET ASSEMBLY	184
◆ TS04473010000 BONNET LOCKING DEVICE ASSEMBLY	190
◆ TS04475010000K BONNET SEAL INSTALLATION ASSEMBLY	192
◆ TB400. 475A LEFT FRONT MUD GUARD ASSEMBLY	194
◆ TB400. 476A RIGHT FRONT MUD GUARD ASSEMBLY	196
◆ TS04481040000K ENGINE HARNESS INSTALLATION ASSEMBLY	198
◆ TS04482050000K BODY HARNESS INSTALLATION ASSEMBLY	200
◆ TS04483020000K FRONT LAMP HARNESS INSTALLATION ASSEMBLY	202
◆ TS04484050000K REAR LAMP HARNESS INSTALLATION ASSEMBLY	204
◆ TS04485010000 BATTERY INSTALLATION ASSEMBLY	206
◆ TS04486010000K TOP LIGHT HARNESS INSTALLATION ASSEMBLY	208
◆ TS04487010000 COMBINED INSTRUMENT ASSEMBLY	211
◆ TB550. 489 PREHEATING EQUIPMENT ASSEMBLY	213
◆ TS04490010000 TOOL BOX ASSEMBLY	215
◆ TS04501020000K OIL TANK INSTALLATION ASSEMBLY	217
◆ TS04503010000 OIL CONVEYING PIPE ASSEMBLY	221
◆ TC02530010000K TOW	223
◆ TC02551230000K LIFTER INSTALLATION ASSEMBLY	225
◆ TS04552010000 LIFTER OPERATION ASSEMBLY	233
◆ TC02553070000K HYDRAULIC AUXILIARY OIL TANK ASSEMBLY	235
◆ TC02561060000K SUSPENSION ASSEMBLY	237
◆ TC02581510000K OIL PUMP/PIPE/FILTER ASSEMBLY	241
◆ TC02582100000K MULTI-WAY VALVE OIL PIPE ASSEMBLY	243
◆ TB300. 583A SINGLE-WAY HYDRAULIC OUTPUT ASSEMBLY 2	246
◆ TC02740010000K FRONT BALLAST ASSEMBLY	248
◆ TS04741010000K FRONT BALLAST BRACKET ASSEMBLY	250

◆ TS0481104000K AIR CONDITION ASSEMBLY-CAB	252
◆ TS0481204000K AIR CONDITION ASSEMBLY-ENGINE	254
◆ FT300. 91. 001 REAR BALLAST ASSEMBLY	256

A498BT1-25H ENGINE ASSY-1



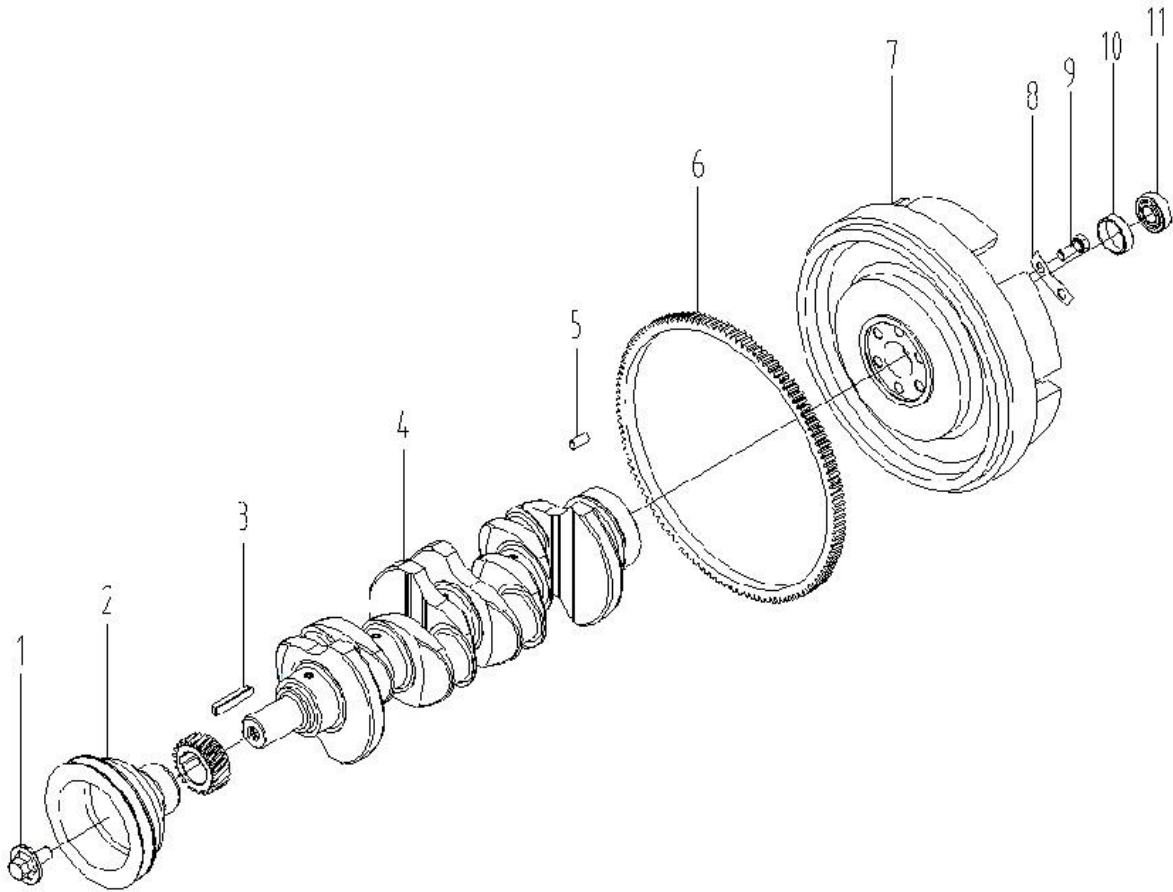
A498BT1-25H ENGINE ASSY-1

No.	Part No.	Description	Ver- sion	QTY.	Remark
	A498BT1-25H	ENGINE ASSY			
1	490B-01036	REAR OIL SEAL		1	
2	495B-01022A/01026A	CRANKSHAFT THRUST PIECE		2	
3	490B-01027	MIDDLE PLUG		1	
4	490B-01009	PLUG 58		1	
5	495B-01008A	REAR CAMSHAFT BUSH		1	
6	GBT119.1-10X24	COLUMN PIN		2	
7	490B-01080	BOWL SHIM 15		2	
8	495B-01050	BOWL SHIM 60		1	
9	490B-01073	OIL FILTER GASKET		1	
10	490B-01029	SCREW PLUG R1/8		3	
11	490B-01081-1	PLUG		1	
12	490BT-01105	DRAIN PIPE FIXING BRACKET		1	
13	HG4-404-10X400	RUBBER PIPE		1	
14	490BT-01100	DRAIN SWITCH		1	
15	490BT-21003	OIL INLET T-JOINT OF AIR PUMP		1	
16	490B-21010	PIPE		1	
17	JBT982-10	COMBINED SEAL GASKET		2	
18	GBT5783-M8X25	HEXAGON BOLT		2	
19	GBT93-8	SPRING WASHER		4	
20	GBT97.1-8	WASHER		4	
21	490B-01076B	FUEL FILTER MAT PLATE		1	
22	490B-21002	HEXAGON PLUG		1	
23	GBT119.1-16X20	COLUMN PIN		2	
24	490B-01003A	BOLT		4	
25	4D35T-01004	CYLINDER COVER GASKET		1	
26	A498B-01005	CYLINDER BUSH		4	
27	490B-01002A	BOLT		14	
28	495B-01047	BOWL SHIM 50		1	
29	490B-01074	CONNECTING TUBE		1	
30	495B-01007A	CAMSHAFT BUSH		2	
31	GBT5783-M8X18	HEXAGON BOLT		2	
32	A490BZL-01082-1	COVER PLATE		1	

A498BT1-25H ENGINE ASSY-1 (cont'd.)

No.	Part No.	Description	Version	QTY.	Remark
33	490B-01012	WATER INLET PIPE GASKET		1	
34	490B-01079	BOWL SHIM 40		11	
35	A498BZ-01029	SCREW PLUG		2	
36	A498B-01001	CYLINDER BLOCK		1	
37	495B-01033A/01034A	MAIN BEARING		5	
38	A498B-01019A	MAIN BEARING BOLT M12X32		10	

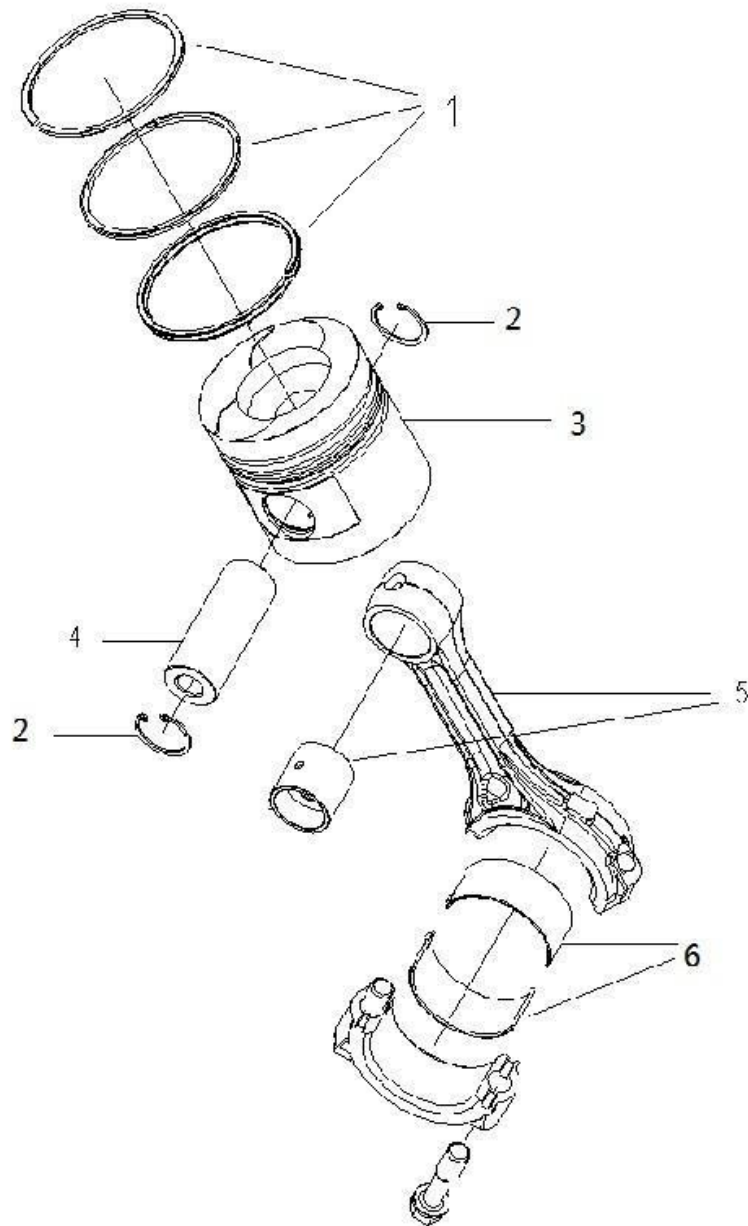
A498BT1-25H ENGINE ASSY-2



A498BT1-25H ENGINE ASSY-2

No.	Part No.	Description	Version	QTY.	Remark
1	490B-05008	BOLT		1	
2	490BT-05006-1	CRANKSHAFT V-BELT		1	
3	GBT1096-C12X8X63	KEY		1	
4	495B-05004A	CRANK SHAFT		1	
5	GBT119.1-8X24(2)	PIN		1	
6	490B-05102	FLYWHEEL GEAR RING		1	
7	490BT-05101-2	FLY WHEEL		1	
8	490B-05001-1	FLYWHEEL BOLT SAFETY PIECE		3	
9	490BT-05002C	FLYWHEEL BOLT		6	
10	490BT-05120C	FLYWHEEL BEARING RE- TAINER RING		1	
11	GBT276-6204-2Z	ROLLING BEARING		1	

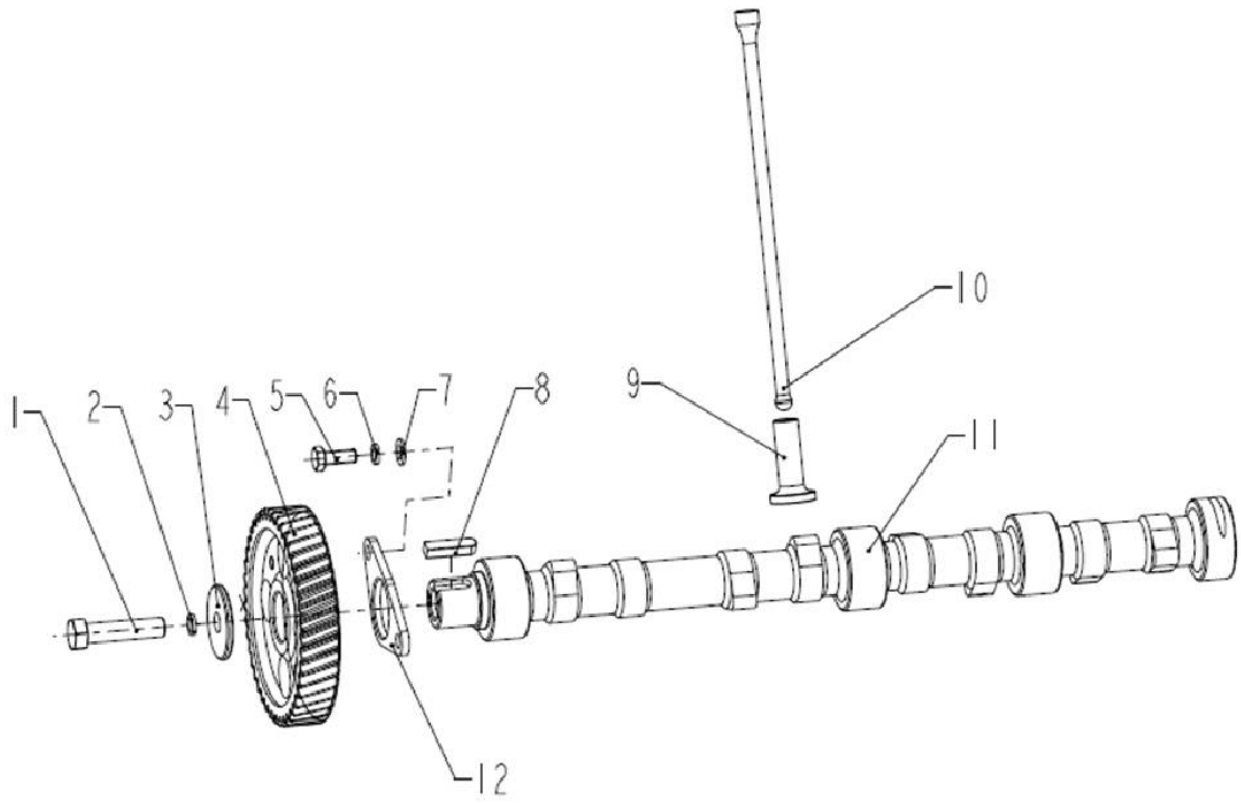
A498BT1-25H ENGINE ASSY-3



A498BT1-25H ENGINE ASSY-3

No.	Part No.	Description	Ver- sion	QTY.	Remark
1	498B-04002 (CK)	PISTON RING ASSEMBLY		4	
2	GBT893.1-34	RETAINER RING 34		8	
3	A498B-04001-1A	PISTON		4	
4	A498B-04004A	PISTON PIN		4	
5	A498B-04200	CONNECTING ROD ASSEMBLY		4	
6	495B-04005-1A	CONNECTING ROD TILE		8	

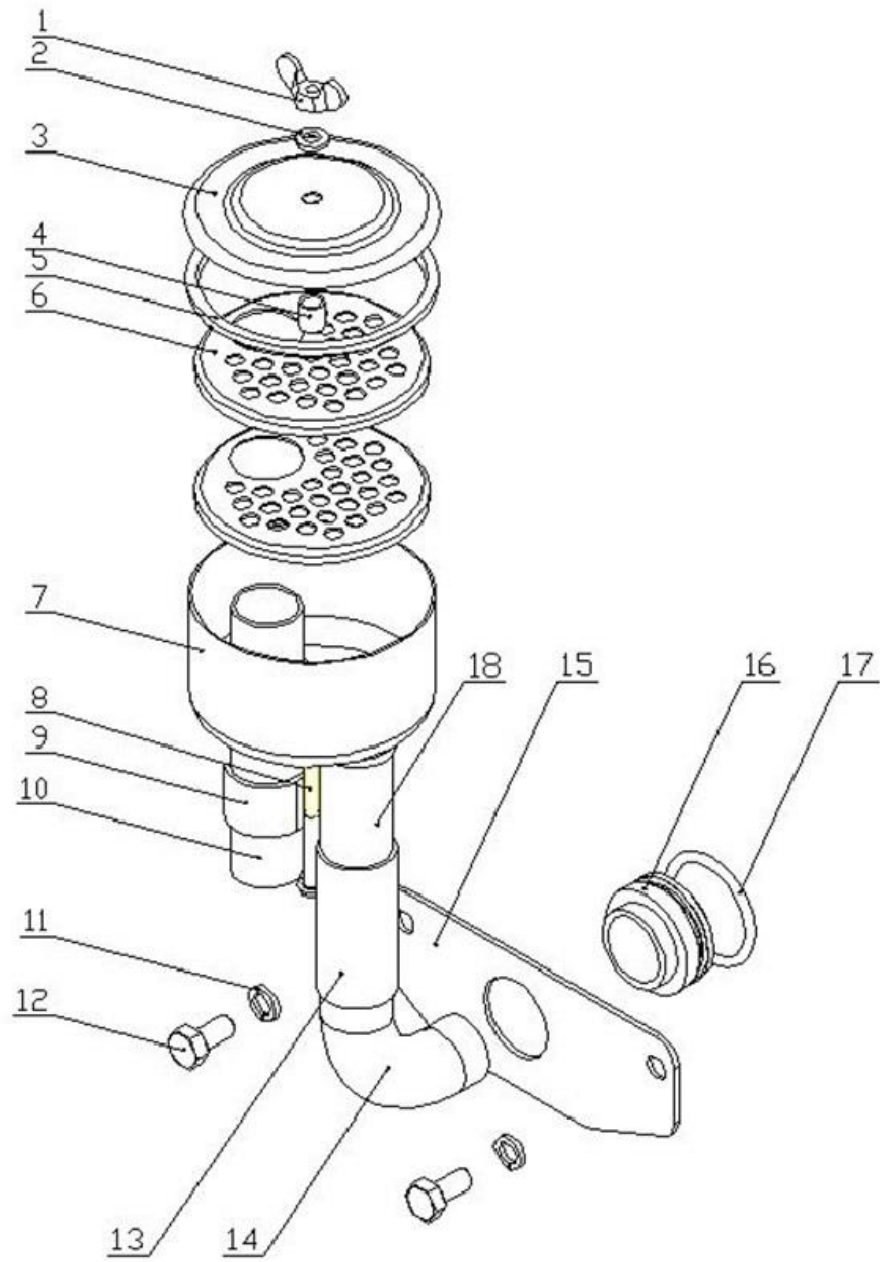
A498BT1-25H ENGINE ASSY-4



A498BT1-25H ENGINE ASSY-4

No.	Part No.	Description	Version	QTY.	Remark
1	GBT5782-M12X45	HEXAGON BOLT		1	
2	GBT93-12	SPRING WASHER		1	
3	490B-02011	CAMSHAFT TIMING GEAR PRESSURE PLATE		1	
4	490B-02009	CAMSHAFT TIMING GEAR		1	
5	GBT5783-M8X18(2)	HEXAGON BOLT		2	
6	GBT93-8(2)	SPRING WASHER		2	
7	GBT97.1-8(2)	FLAT WASHER		2	
8	GBT1096-C8X7X22	FLAT KEY		1	
9	490B-06002	VALVE TAPPET		8	
10	495B-06003	VALVE PUSH ROD		8	
11	495B-06001-2	CAM SHAFT		1	
12	490B-02008	CAMSHAFT THRUST PLATE		1	

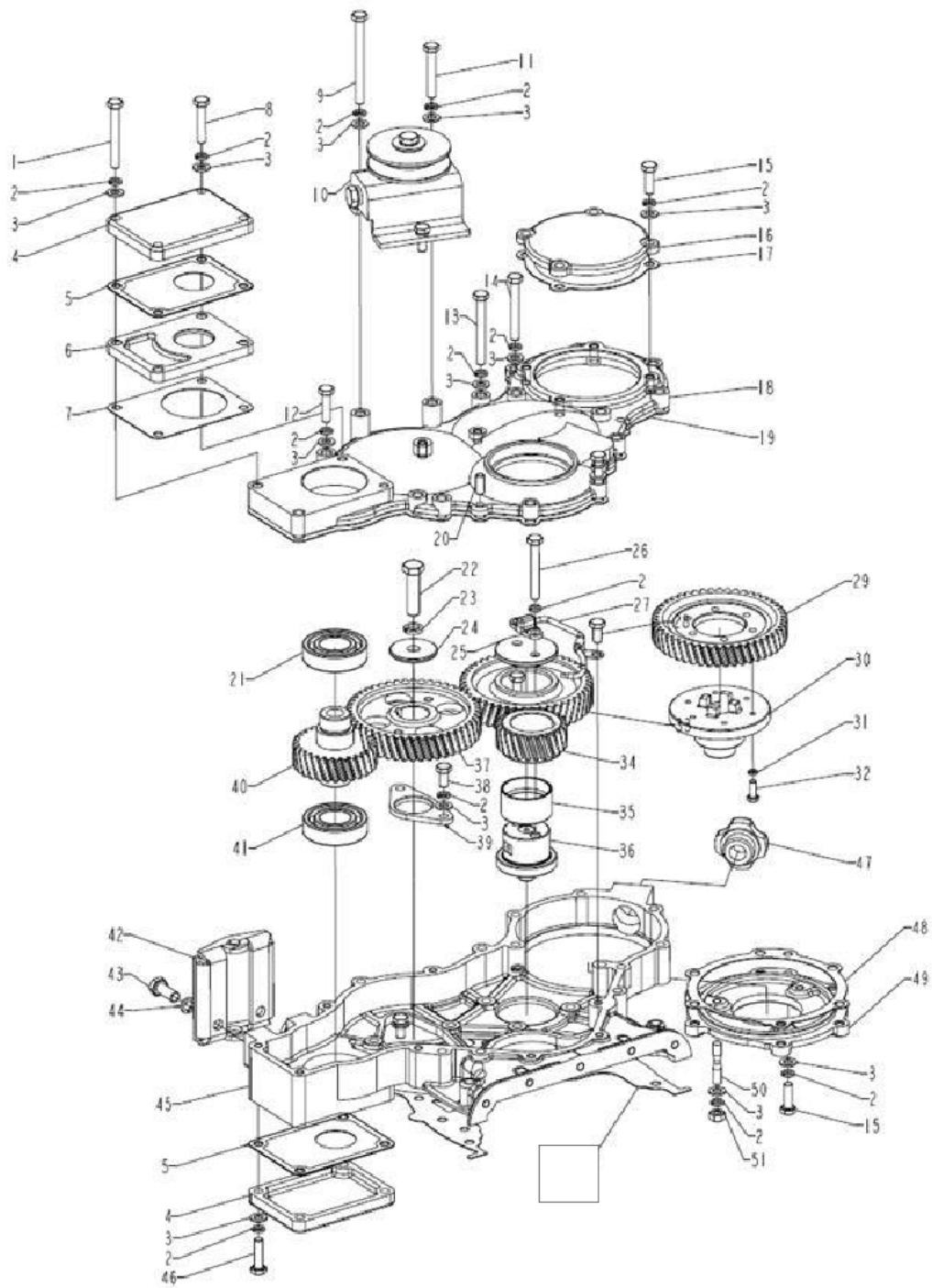
A498BT1-25H ENGINE ASSY-5



A498BT1-25H ENGINE ASSY-5

No.	Part No.	Description	Ver- sion	QTY.	Remark
1	GBT62.1-M6	BUTTERFLY NUT		1	
2	GBT97.1-6	FLAT WASHER		1	
3	490B-34005	BREATHER UPPER COVER		1	
4	495B-34019	PIPE		1	
5	490B-34008	RUBBER SEAL RING		1	
6	495B-34018	SPACER PLATE		2	
7	495B-34006-1	BREATHER LOWER PARTS		1	
8	GBT67-M6X70	SLOTTED PAN HEAD SCREW		1	
9	490B-34002A	FIXED PLATE		1	
10	495B-34007-1	AIR VENT 1		1	
11	GBT93-8(14)	SPRING WASHER		2	
12	GBT5783-M8X16	HEXAGON BOLT		2	
13	490B-34017	PIPE		1	
14	490B-34012	AIR VENT-III		1	
15	495B-34003	SPLINT		1	
16	495B-34004	AIR INLET SLEEVE		1	
17	490B-34009	O-SEAL RING		1	
18	490B-34013	AIR VENT-II		1	

A498BT1-25H ENGINE ASSY-6



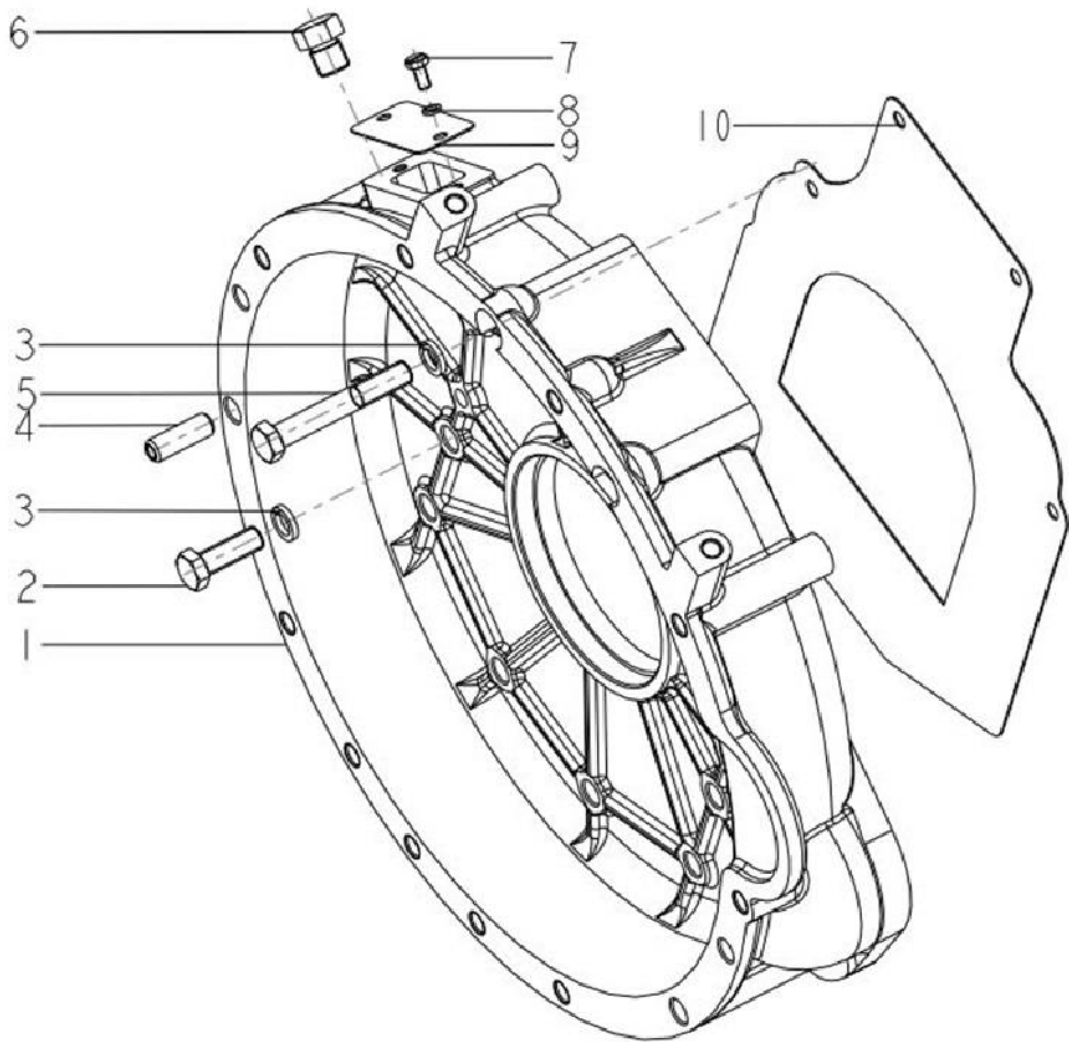
A498BT1-25H ENGINE ASSY-6

No.	Part No.	Description	Ver- sion	QTY.	Remark
1	GBT5782-M8X65	HEXAGON BOLT		2	
2	GBT93-8(3)	SPRING WASHER		29	
3	GBT97.1-8(3)	FLAT WASHER		31	
4	490BT-16014	HYDRAULIC PUMP END COVER		2	
5	490BT-16013-1	HYDRAULIC PUMP END COVER GASKET		2	
6	490BT-16021	FRONT HYDRAULIC PUMP CONNECTING PLATE		1	
7	490BT-16017	FRONT HYDRAULIC PUMP CONNECTING PLATE GASKET		1	
8	GBT5782-M8X40	HEXAGON BOLT		2	
9	GBT5782-M8X90	HEXAGON BOLT		1	
10	490BT-16200-1	TENSIONER ASSEMBLY		1	
11	GBT5782-M8X50	HEXAGON BOLT		1	
12	GBT5783-M8X30	HEXAGON BOLT		8	
13	GBT5782-M8X70	HEXAGON BOLT		6	
14	GBT5782-M8X62	HEXAGON BOLT		3	
15	GBT5783-M8X25(2)	HEXAGON BOLT		4	
16	490BT-16016	AIR COMPRESSOR COVER PLATE		1	
17	490BT-16005	AIR COMPRESSOR COVER PLATE GASKET		1	
18	490BT-16001-1	TIMING GEAR CASE COVER		1	
19	490BT-16002-1	TIMING GEAR COVER GASKET		1	
20	GBT119.2-8X20	COLUMN PIN		2	
21	GBT276-6206	DEEP GROOVE BALL BEARING		1	
22	GBT5782-M12X45(2)	HEXAGON BOLT		1	
23	GBT93-12(2)	SPRING WASHER		1	
24	490B-02011(2)	CAMSHAFT TIMING GEAR PRESSURE PLATE		1	
25	490B-02012	IDLE GEAR SHAFT PRESS PLATE		1	
26	GBT5782-M8X60	HEXAGON BOLT		2	
27	490BT-02100	OIL INJECTION PIPE WELDMENT		1	

A498BT1-25H ENGINE ASSY-6 (cont'd.)

No.	Part No.	Description	Version	QTY.	Remark
28	GBT5783-M8X16(2)	HEXAGON BOLT		1	
29	490B-02003	OIL INJECTION PUMP TIMING GEAR		1	
30	490BT-02015	OIL INJECTION PUMP TIMING GEAR SHAFT BUSH		1	
31	GBT93-6	SPRING WASHER		6	
32	GBT5783-M6X16	HEXAGON BOLT		6	
33	490BT-02006	TIMING IDLE GEAR		1	
34	490BT-02007	CRANKSHAFT TIMING GEAR		1	
35	490B-02005	TIMING IDLE GEAR BUSH		1	
36	490B-02004	TIMING IDLE GEAR SHAFT		1	
37	490BT-02009	CAMSHAFT TIMING GEAR		1	
38	GBT5783-M8X18(3)	HEXAGON BOLT		2	
39	490B-02008(2)	CAMSHAFT THRUST PLATE		1	
40	490BT-02010-1	HYDRAULIC PUMP GEAR		1	
41	GBT276-7206AC	DEEP GROOVE BALL BEARING		1	
42	490BT-53002-4	BRACKET		1	
43	GBT5783-M10X25	HEXAGON BOLT		2	
44	GBT93-10	SPRING WASHER		2	
45	490BT-16003-1	TIMING CASE		1	
46	GBT5783-M8X30(2)	HEXAGON BOLT		8	
47	495BT-16100	COVER		1	
48	490B-16008	FLANGE GASKET		1	
49	490B-16004-1	FLANGE		1	
50	GBT899-AM8X25(2)	DOUBLE END STUDS		3	
51	GBT6170-M8	HEXAGON NUT		3	

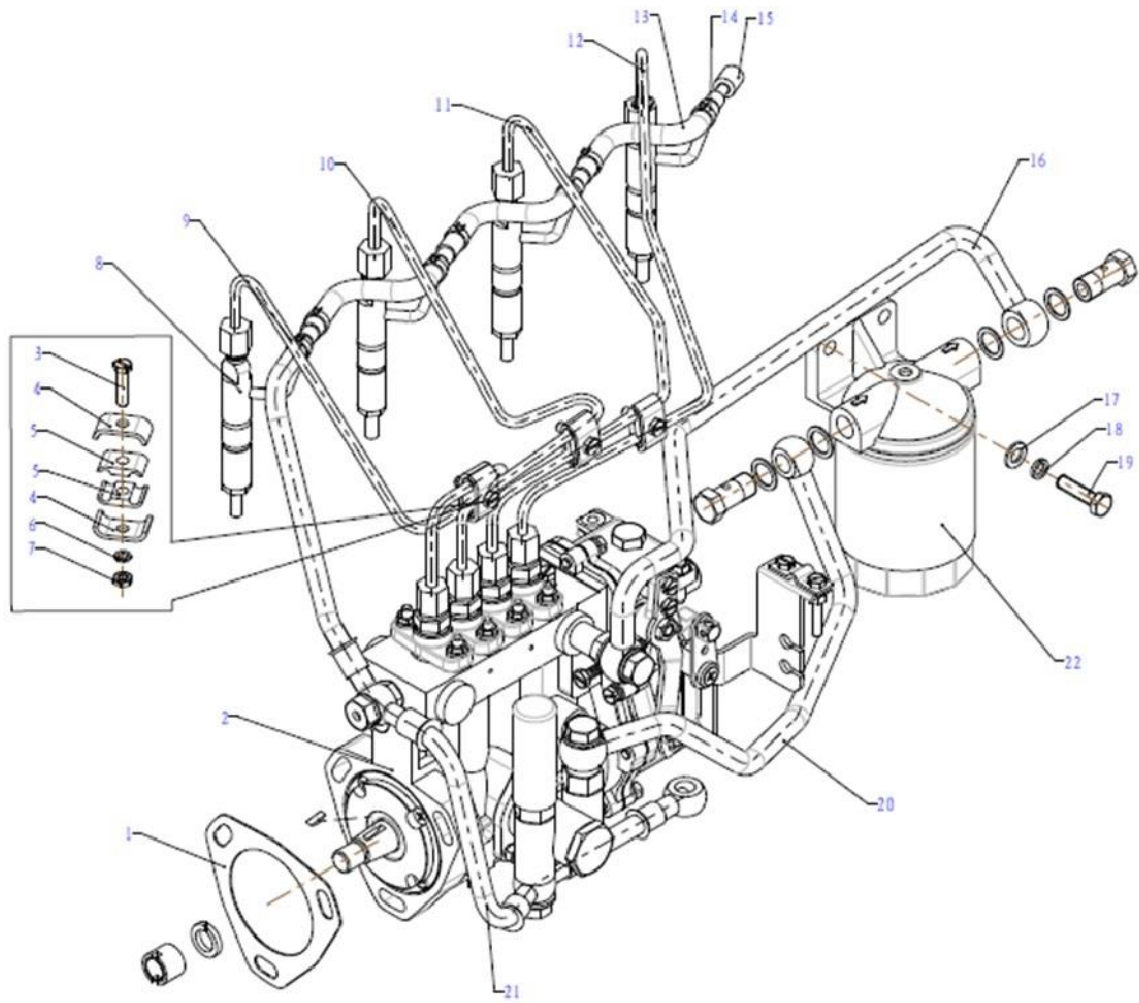
A498BT1-25H ENGINE ASSY-7



A498BT1-25H ENGINE ASSY-7

No.	Part No.	Description	Version	QTY.	Remark
1	490BT-13001-6	FLYWHEEL HOUSING		1	
2	GBT5783-M12X35	HEXAGON BOLT		8	
3	GBT93-12(3)	SPRING WASHER		10	
4	GBT120.2-12X26	COLUMN PIN		2	
5	GBT70.1-M12X80	INNER HEXAGON SCREW		2	
6	490BT-13008-1	SCREW PLUG		1	
7	GBT29.1-M6X12	HEXAGON SLOTTED BOLT		2	
8	GBT93-6(2)	SPRING WASHER		2	
9	490B-13003	INSPECTION HOLE COVER PLATE		1	
10	490BT-13002	FLYWHEEL HOUSING GASKET		1	

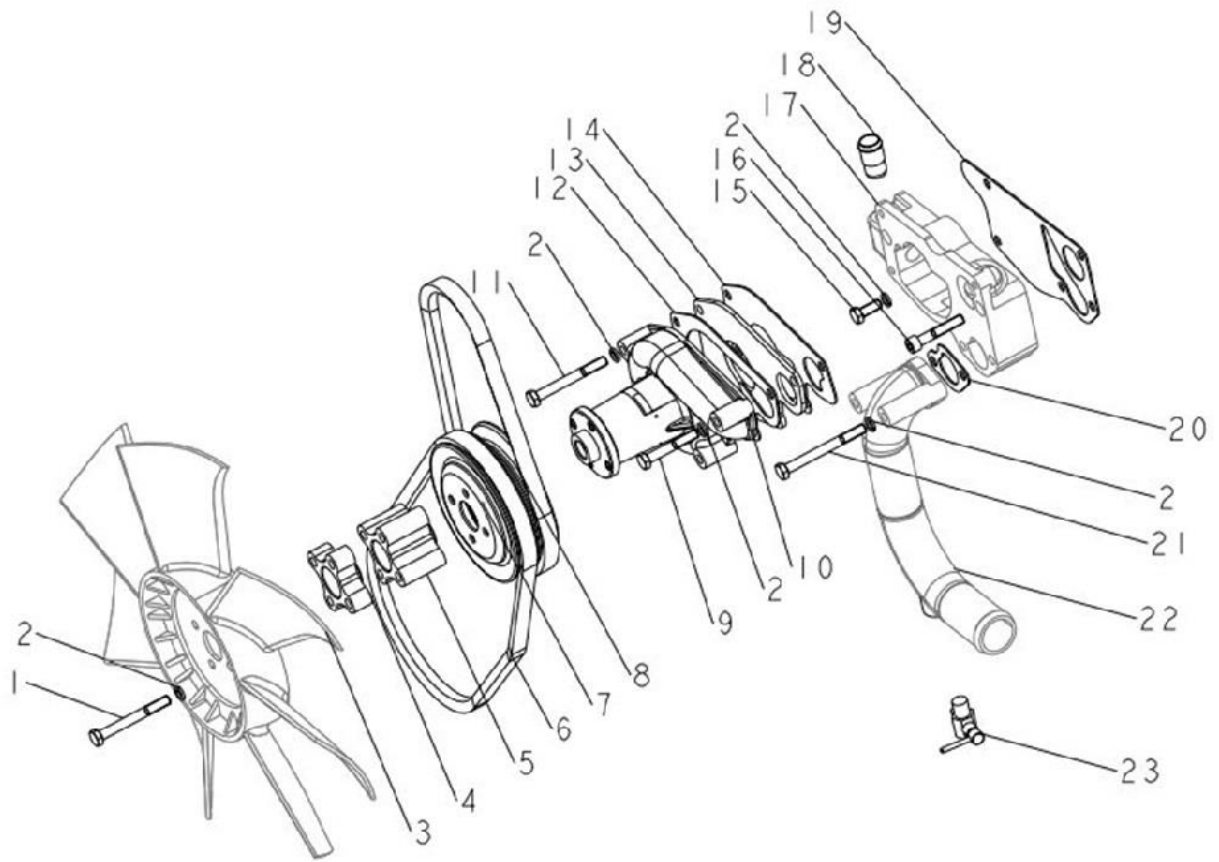
A498BT1-25H ENGINE ASSY-8



A498BT1-25H ENGINE ASSY-8

No.	Part No.	Description	Version	QTY.	Remark
1	490B-16011-1	OIL INJECTION PUMP GASKET		1	
2	B253D1-1	OIL INJECTION PUMP ASSEMBLY		1	
3	GBT29.1-M6X25	HEXAGON SLOTTED BOLT		3	
4	490B-23501	CLAMP HOOP		6	
5	490B-23502	RUBBER WASHER		6	
6	GBT93-6(3)	SPRING WASHER		3	
7	GBT6172-M6	HEXAGON NUT		3	
8	KBAL-P030	OIL INJECTOR ASSEMBLY		4	
9	C490BZG-23100	1ST CYLINDER HIGH PRESSURE FUEL TUBE		1	
9	C490BZG-23000	HIGH PRESSURE OIL PIPE ASSEMBLY			
10	C490BZG-23200	HIGH PRESSURE OIL PIPE UNIT OF SECOND CYLINDER		1	
11	C490BZG-23300	HIGH PRESSURE OIL PIPE UNIT OF THIRD CYLINDER		1	
12	C490BZG-23400	HIGH PRESSURE OIL PIPE UNIT OF FOURTH CYLINDER		1	
13	498B-25002	OIL RETURN PIPE		3	
14	FQ673B121	CLAMP HOOP		7	
15	498B-25001	OIL INJECTOR RETURN CAP		1	
16	490B-25200	OIL CONVEYING PIPE		1	
17	GBT97.1-8(4)	FLAT WASHER		2	
18	GBT93-8(4)	SPRING WASHER		2	
19	GBT5783-M8X30(3)	BOLT		2	
20	490B-25300	OIL CONVEYING PIPE		1	
21	C490BT-25400-3	PIPE		1	
22	490B-24000A	FUELFILTER		1	
22.1	CX7085	FUEL FILTER ELEMENT		1	

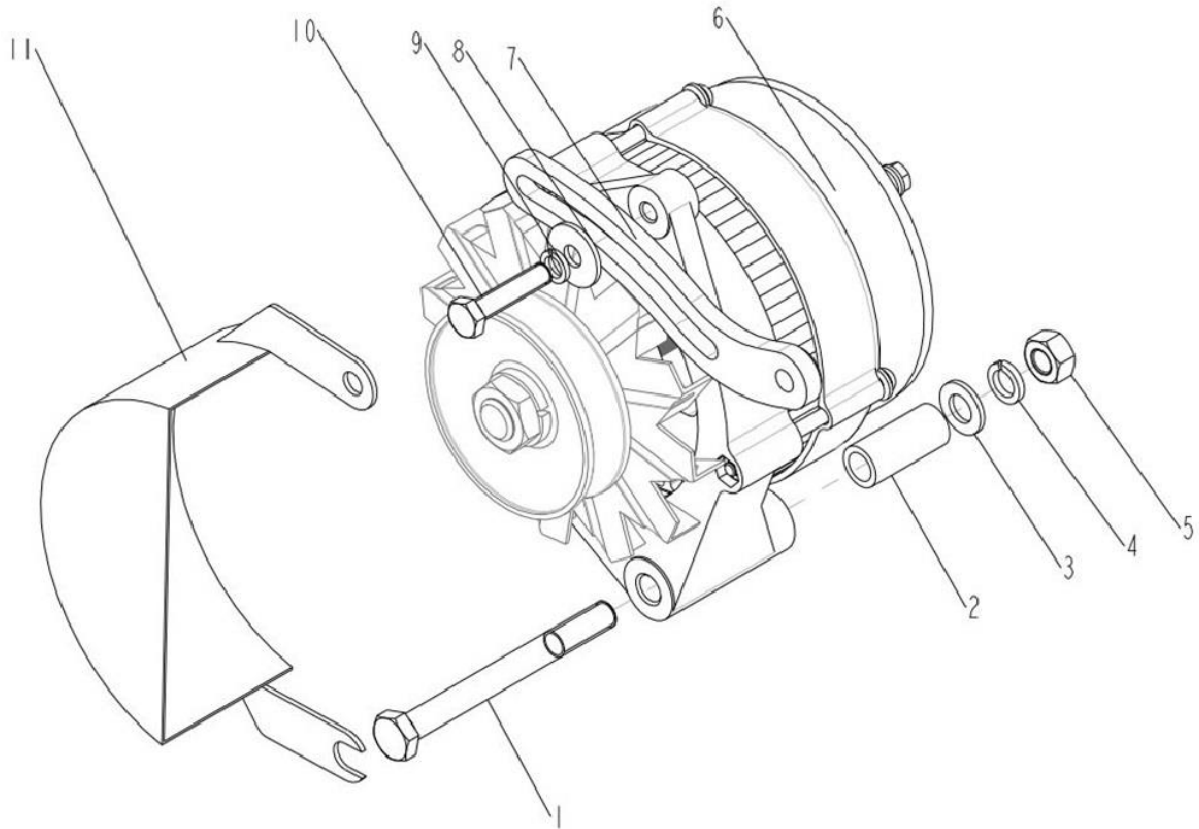
A498BT1-25H ENGINE ASSY-9



A498BT1-25H ENGINE ASSY-9

No.	Part No.	Description	Version	QTY.	Remark
1	GBT5782-M8X75	HEXAGON BOLT		4	
2	GBT93-8(5)	SPRING WASHER		11	
3	Z420-28-52-7	FAN		1	
4	490B-41003-1	FAN GASKET		1	
5	490B-41003-4	FAN GASKET		1	
6	AV15X950Le	BELT		1	
7	490BT-41002-1	FAN BELT PULLEY		1	
8	AV15X680Le	BELT		1	
9	GBT5782-M8X50(2)	HEXAGON BOLT		3	
10	495BT-42000-1A	WATER PUMP ASSEMBLY		1	
11	GBT5782-M8X60(2)	HEXAGON BOLT		1	
12	490B-42005	WATER PUMP HOUSING LINER		1	
13	490BT-42006	WATER PUMP SPACER PLATE		1	
14	490BT-42011	WATER PUMP GASKET		1	
15	GBT5783-M8X20	HEXAGON BOLT		1	
16	GBT70.1-M8X45	INNER HEXAGON SCREW		2	
17	490BT-42010-1A	WATER PUMP JOINT		1	
18	490B-01074(2)	CONNECTING TUBE		1	
19	490BT-42011-1A	WATER PUMP JOINT GASKET		1	
20	490BT-01012	WATER INLET PIPE GASKET		1	
21	GBT5782-M8X110	HEXAGON BOLT		2	
22	490BT-01011-3	WATER INLET PIPE		1	
23	490B-01100-4	DRAIN VALVE BLOCK		1	

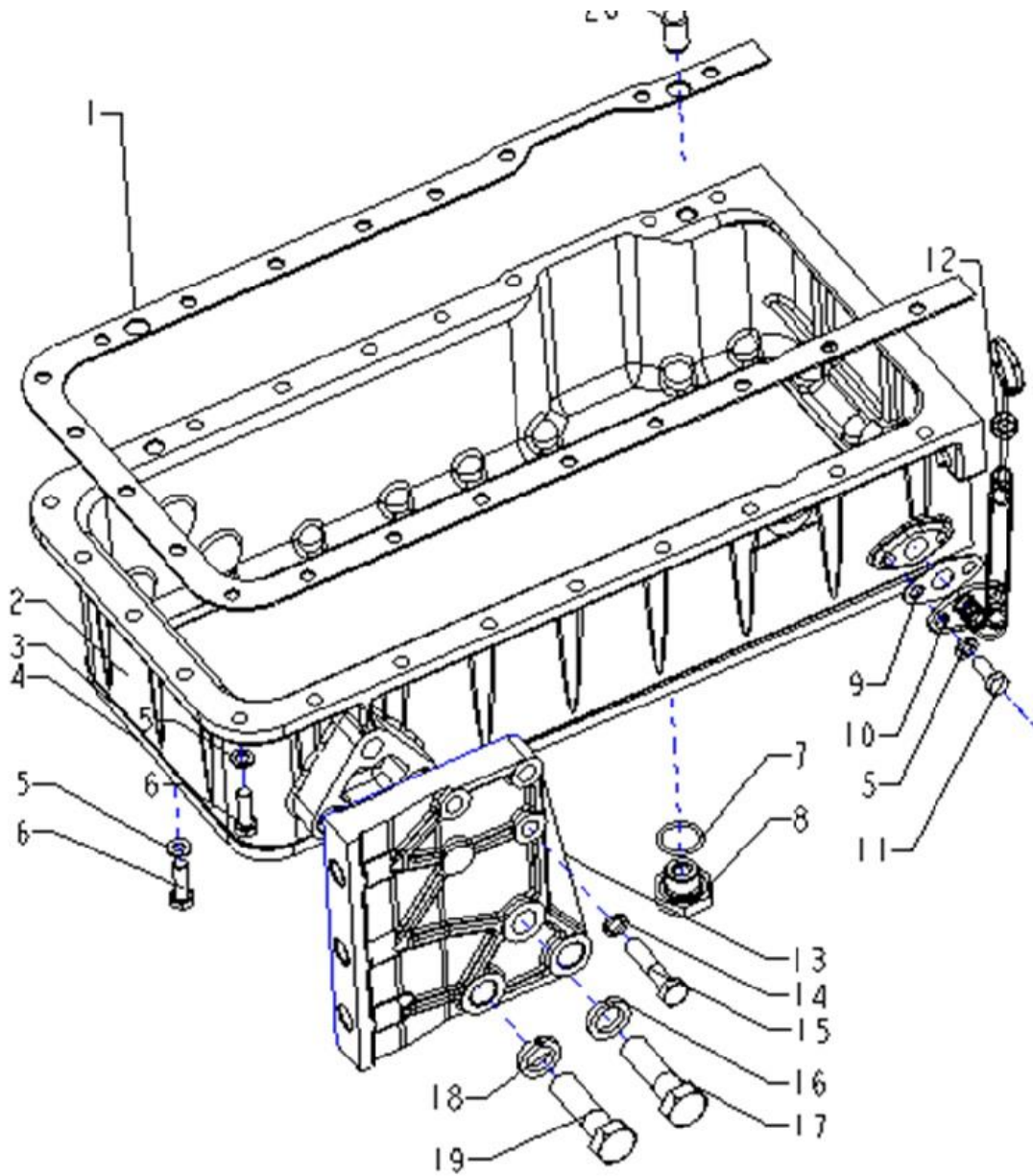
A498BT1-25H ENGINE ASSY-10



A498BT1-25H ENGINE ASSY-10

No.	Part No.	Description	Ver- sion	QTY.	Remark
1	GBT5782-M10X110	HEXAGON BOLT		1	
2	490BT-53003	BRACKET PIPE		1	
3	GBT97.1-10	FLAT WASHER		1	
4	GBT93-10(2)	SPRING WASHER		1	
5	GBT6170-M10(2)	HEXAGON NUT		1	
6	JFW17P-1	GENERATOR		1	
7	495BT-53001-3	GENERATOR BRACKET		1	
8	GBT96.1-8	FLAT WASHER		1	
9	GBT93-8(6)	SPRING WASHER		1	
10	GBT5783-M8X35	HEXAGON BOLT		1	
11	4K39T-53005-2	COVER		1	

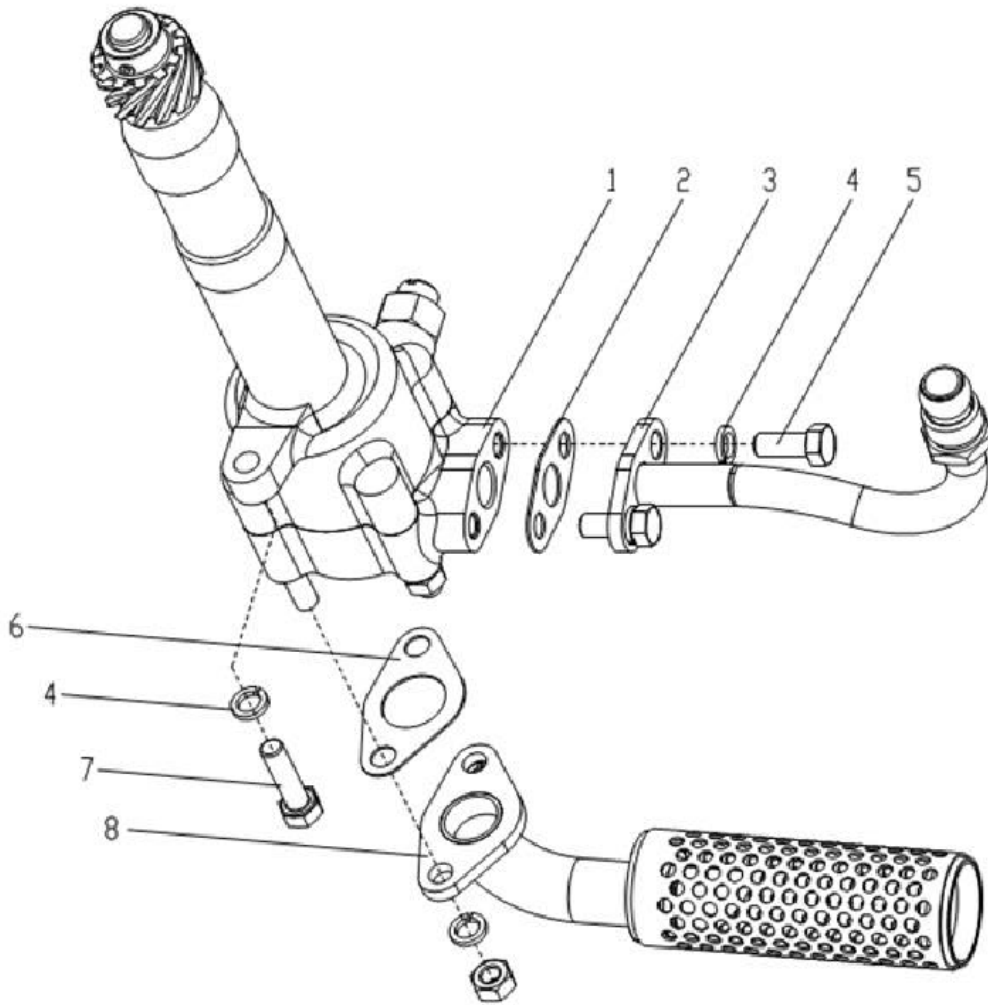
A498BT1-25H ENGINE ASSY-11



A498BT1-25H ENGINE ASSY-11

No.	Part No.	Description	Ver- sion	QTY.	Remark
1	490BT-07002	OIL SUMP GASKET		1	
2	495BT-07106A	MAIN OIL SUMP		1	
3	490BT-07004	OIL SUMP BOTTOM PLATE GASKET		1	
4	490BT-07003	OIL SUMP BOTTOM PLATE		1	
5	GBT93-8(7)	SPRING WASHER		45	
6	GBT5783-M8X25(3)	HEXAGON BOLT		43	
7	GBT3452.1-20X3.55	O-RING		1	
8	490B-07601	PLUG		1	
9	490BT-07303A	WASHER		1	
10	490BT-07300	OIL DIPSTICK PIPE		1	
11	GBT5783-M8X20(2)	HEXAGON BOLT		2	
12	NA285B-07200A	OIL DIPSTICK		1	
13	495BT-15001-11L	ENGINE FRONT BRACKET		1	
13	495BT-15001-11R	ENGINE FRONT BRACKET		1	
14	GBT93-10(3)	SPRING WASHER		6	
15	GBT5782-M10X45	HEXAGON BOLT		6	
16	GBT93-18	SPRING WASHER		4	
17	490BT-07800	BOLT		4	
18	GBT93-16	SPRING WASHER		2	
19	GBT5782-M16X55	HEXAGON BOLT		2	
20	490BT-07008	COLUMN PIN		2	

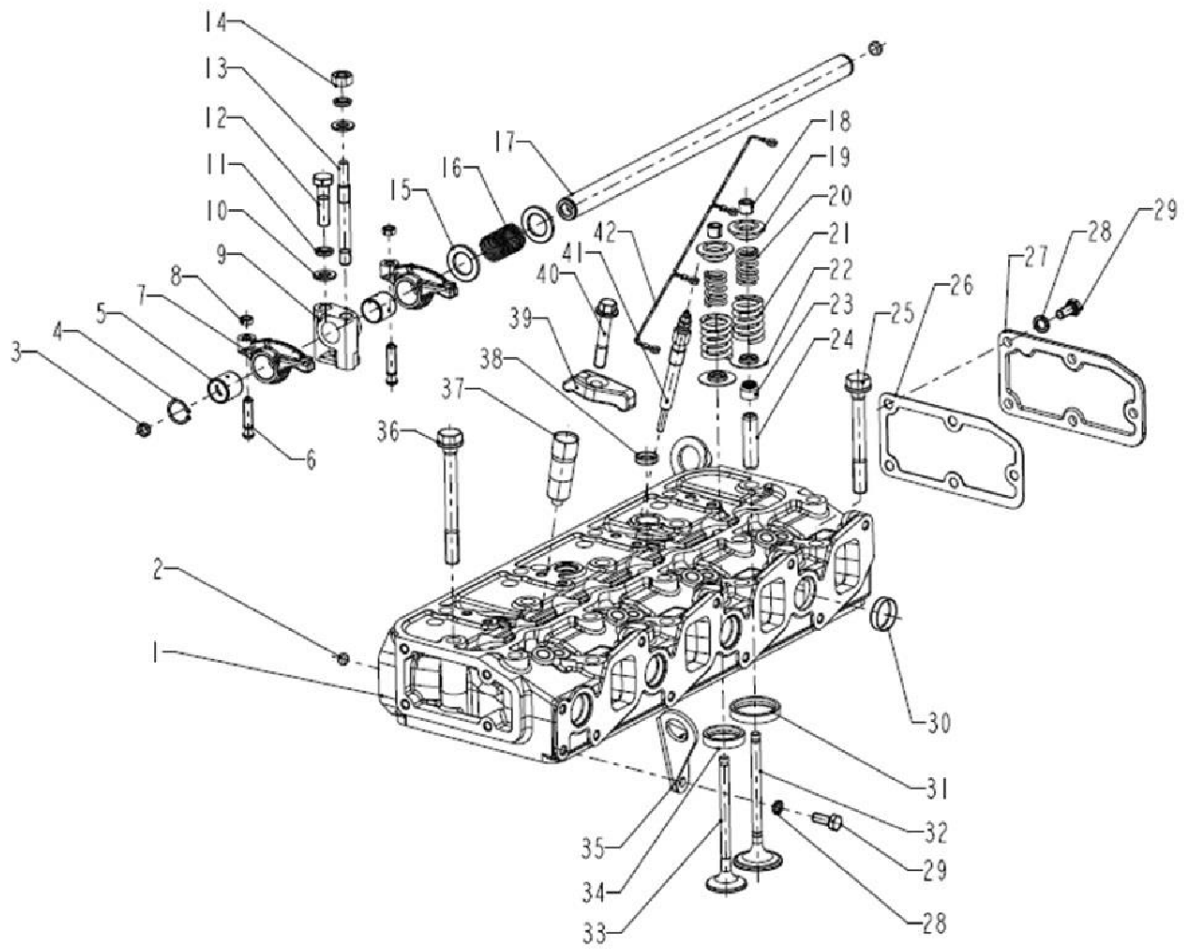
A498BT1-25H ENGINE ASSY-12



A498BT1-25H ENGINE ASSY-12

No.	Part No.	Description	Version	QTY.	Remark
1	495B-31000-2	OIL PUMP ASSEMBLY		1	
2	490B-33005	GASKET		1	
3	495B-33000	OIL PIPELINE ASSEMBLY		1	
4	GBT93-8(8)	SPRING WASHER		3	
5	GBT5783-M8X22	HEXAGON BOLT		2	
6	495B-31006A	OIL FILTER GASKET		1	
7	GBT5783-M8X30(4)	HEXAGON BOLT		1	
8	495B-31100-3	OIL FILTER		1	

A498BT1-25H ENGINE ASSY-13



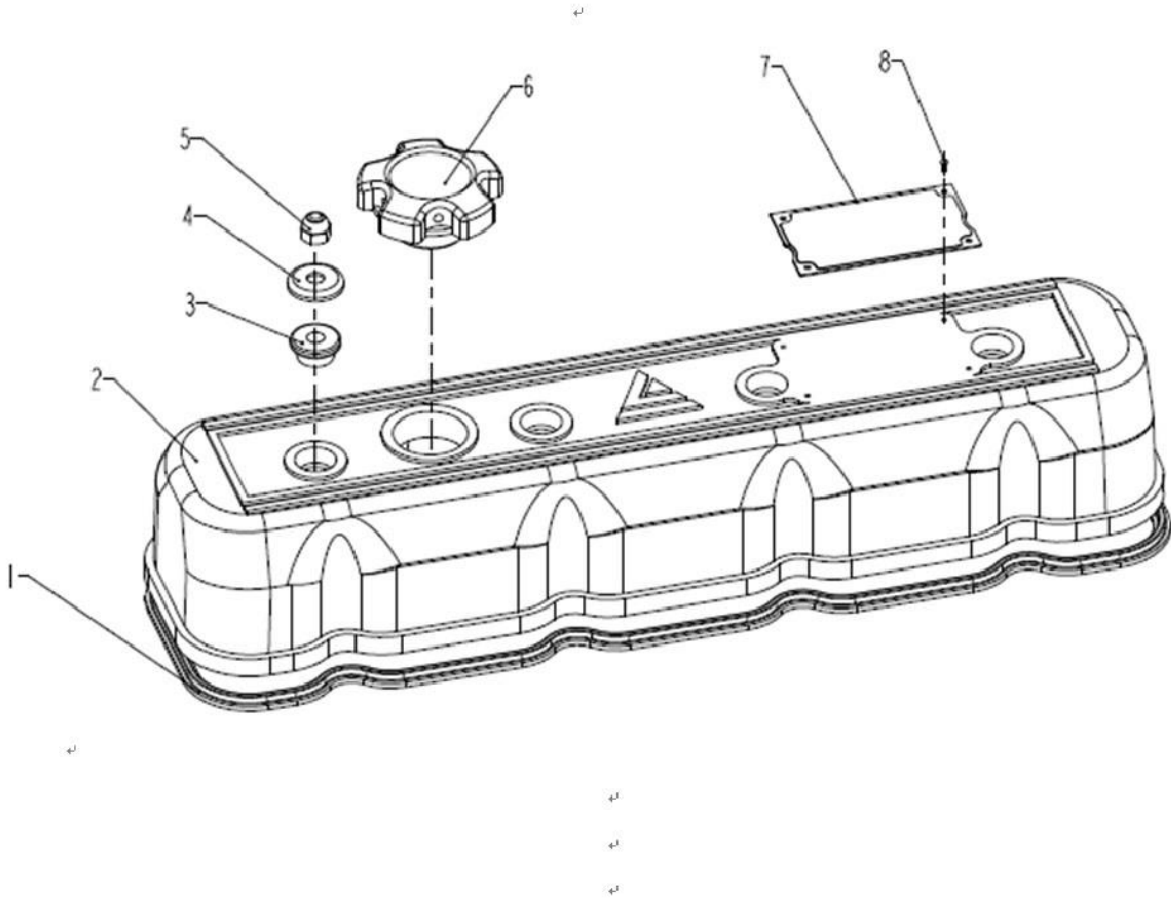
A498BT1-25H ENGINE ASSY-13

No.	Part No.	Description	Ver- sion	QTY.	Remark
1	A498B-03101A	CYLINDER COVER		1	
2	490B-03105	PLUG		4	
3	490B-03018	BOWL SHIM 12		2	
4	GBT894.1-20	RETAINER RING		2	
5	490B-03212A	VALVE ROCKER BUSH		8	
6	490B-03201	VALVE CLEARANCE AD- JUSTING SCREW		8	
7	490B-03211A	VALVE ROCKER		8	
8	GBT6170-M8(2)	HEXAGON NUT, TYPE-1		8	
9	490B-03202	ROCKER SHAFT SUPPORT SEAT		4	
10	GBT97.1-10(2)	FLAT WASHER		8	
11	GBT93-10(4)	SPRING WASHER		8	
12	GBT5782-M10X65	BOLT		4	
13	A498B-03001	STUD		4	
14	GBT6170-M10	HEXAGON NUT, TYPE-1		4	
15	GBT848-20	WASHER		8	
16	490B-03203	VALVE ROCKER SHAFT SPRING		3	
17	490B-03204	VALVE ROCKER SHAFT		1	
18	490B-03006	VALVE COLLET		16	
19	490B-03007	VALVE SPRING UPPER SEAT		8	
20	490B-03005	VALVE INNER SPRING		8	
21	490B-03004	VALVE OUTER SPRING		8	
22	490B-03011	VALVE SPRING LOWER SEAT		8	
23	A490BZL-03016	VALVE GUIDE PIPE OIL SEAL		8	
24	A490BZL-03102A	VALVE GUIDE PIPE		8	
25	490B-01003A(2)	BOLT		4	
26	490B-03013	REAR END COVER GASKET		1	
27	490B-03012	REAR END COVER		1	
28	GBT93-8(9)	SPRING WASHER		9	
29	GBT5783-M8X18(4)	BOLT		9	
30	490B-01078	BOWL SHIM 30		4	

A498BT1-25H ENGINE ASSY-13 (cont'd.)

No.	Part No.	Description	Version	QTY.	Remark
31	A498B-03107	AIR INLET VALVE SEAT		4	
32	A498B-03014	AIR INLET VALVE		4	
33	495B-03015	EXHAUST VALVE		4	
34	495B-03108	EXHAUST VALVE SEAT		4	
35	490B-03009-3	CONDOLE EAR		2	
36	490B-01002A(2)	BOLT		14	
37	A490B-03109	OIL INJECTOR COPPER BUSH		4	
38	490B-03017	BOWL SHIM 20		7	
39	A490B-03016	OIL INJECTOR PRESSURE PLATE		4	
40	A490BZL-03017	INJECTER BOLT		4	
41	A490B-55001	HEAT PLUG		4	
42	A490B-55100	HEAT PLUG CONNECTING WIRE		1	

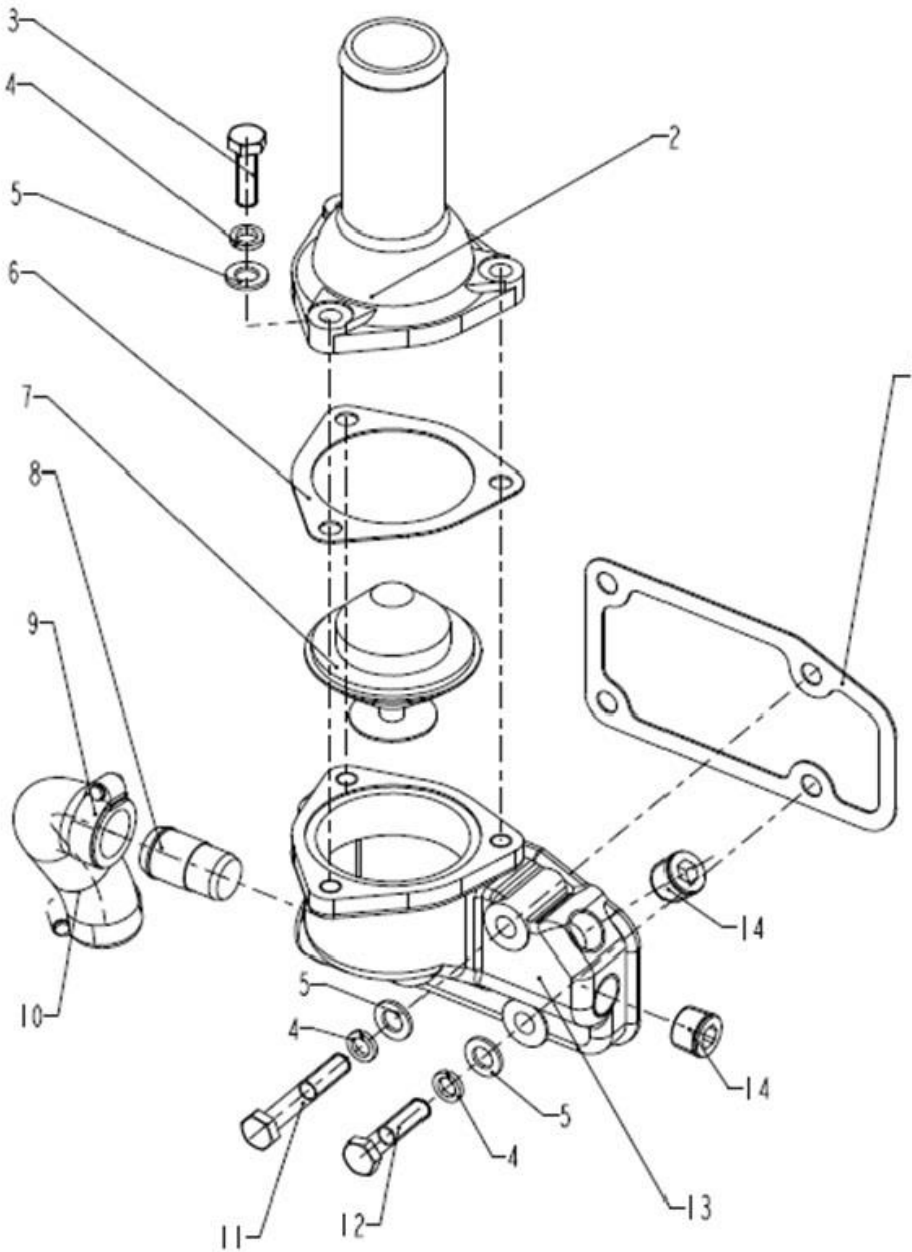
A498BT1-25H ENGINE ASSY-14



A498BT1-25H ENGINE ASSY-14

No.	Part No.	Description	Version	QTY.	Remark
1	A498B-11002	CYLINDER COVER RUBBER MAT		1	
2	A498B-11001-2	CYLINDER COVER		1	
3	A498B-11003	RUBBER ISOLATION BUSH		4	
4	A498B-11004	WASHER		4	
5	GBT923-M8	CAP NUT		4	
6	490B-11200B	FILLING CAP COVER		1	
7	A498B-11005-2	NAME PLATE		1	
8	GBT827-2X5	RIVET		4	

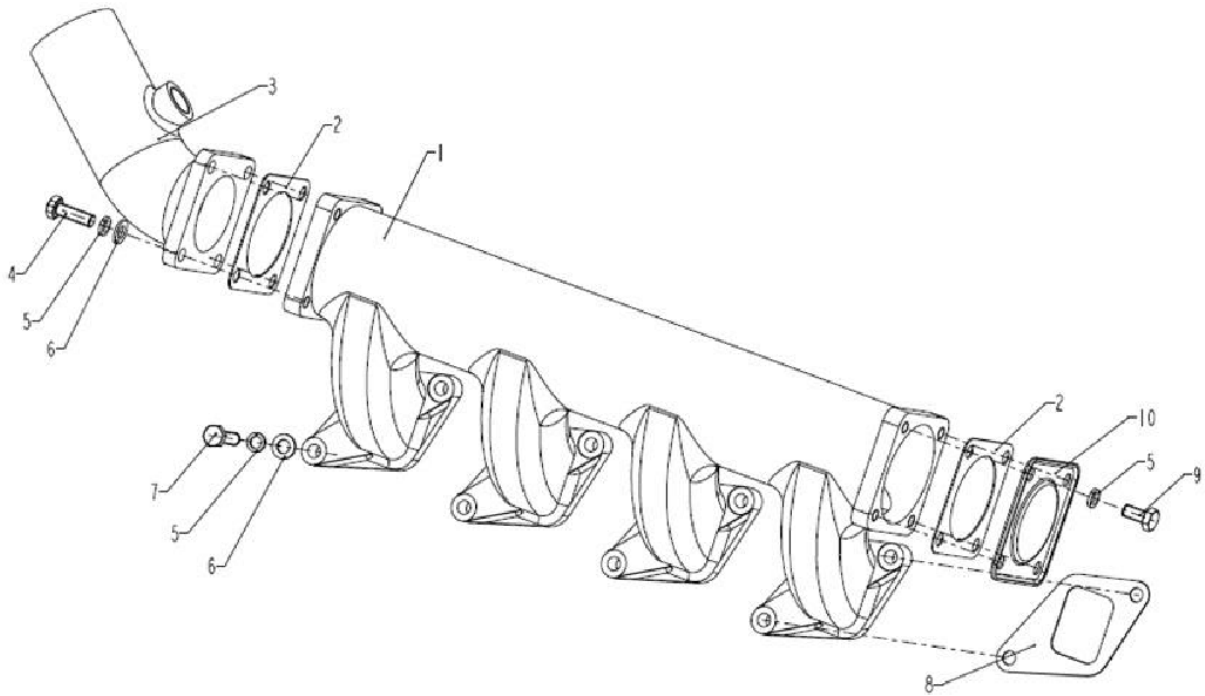
A498BT1-25H ENGINE ASSY-15



A498BT1-25H ENGINE ASSY-15

No.	Part No.	Description	Ver- sion	QTY.	Remark
1	490B-43005	THERMOSTAT HOUSING GASKET		1	
2	490BT-43001	THERMOSTAT COVER		1	
3	GBT5783-M8X25(4)	HEXAGON BOLT		3	
4	GBT93-8(10)	SPRING WASHER 8		7	
5	GBT97.1-8(5)	FLAT WASHER		8	
6	490B-43003	THERMOSTAT COVER GASKET		1	
7	490B-43002	THERMOSTAT		1	
8	490B-01074(3)	CONNECTING TUBE		1	
9	JBT8870-D25	HOOP		2	
10	490BT-43007	SMALL CIRCULATING WATER PIPE		1	
11	GBT5782-M8X48	HEXAGON BOLT		1	
12	GBT5782-M8X35	HEXAGON BOLT		3	
13	490B-43101-2	THERMOSTAT HOUSING		1	
14	490B-43008	SCREW PLUG NPT3/8		2	

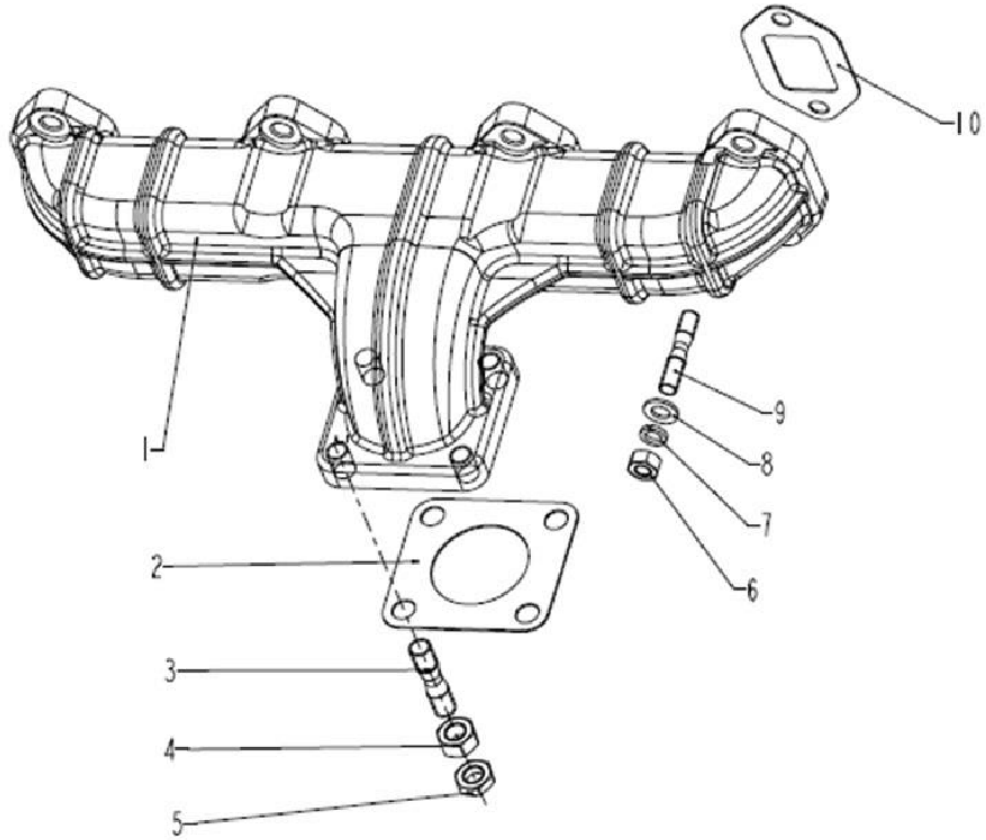
A498BT1-25H ENGINE ASSY-16



A498BT1-25H ENGINE ASSY-16

No.	Part No.	Description	Version	QTY.	Remark
1	490BT-09002-5	AIR INLET PIPE		1	
2	490B-09004	AIR INLET PIPE GASKET		2	
3	490BT-09003-3	AIR INLET CONNECTING PIPE		1	
4	GBT5783-M8X25(5)	HEXAGON BOLT		4	
5	GBT93-8(11)	SPRING WASHER		16	
6	GBT97.1-8(6)	FLAT WASHER		12	
7	GBT5783-M8X30(5)	HEXAGON BOLT		8	
8	490B-09001	AIR INLET PIPE GASKET		4	
9	GBT5783-M8X12	HEXAGON BOLT		4	
10	490B-09005	AIR INLET PIPE END COVER		1	

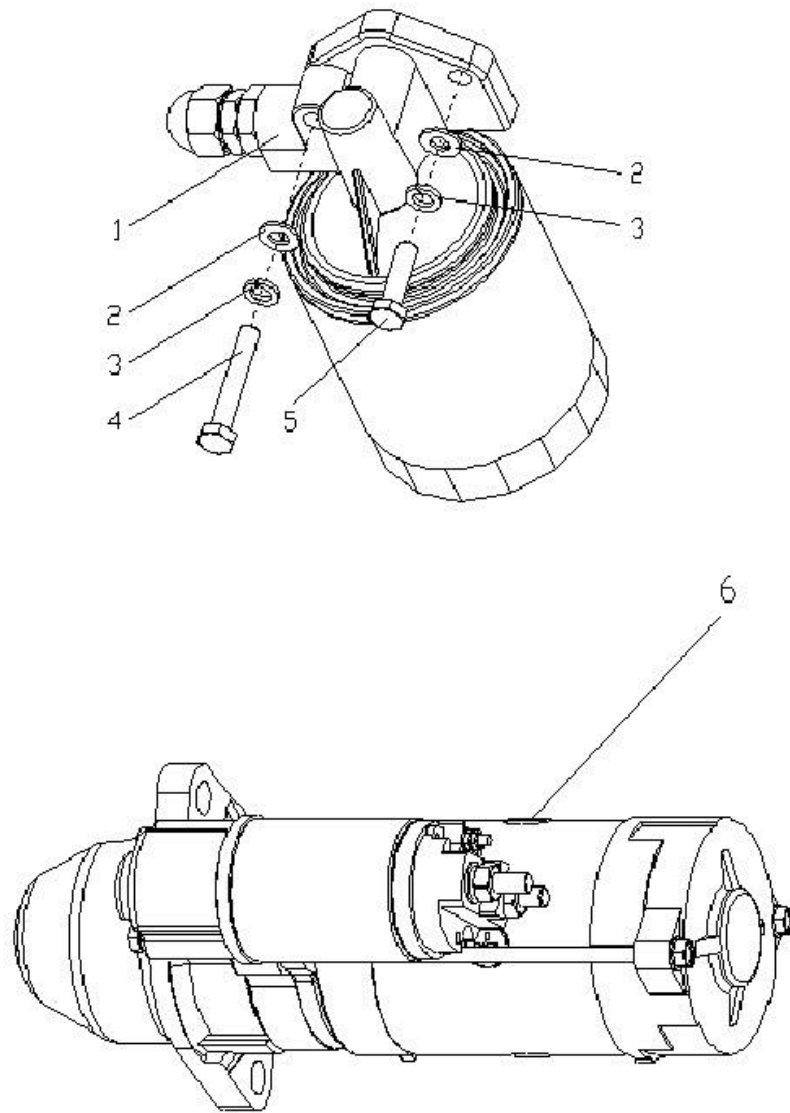
A498BT1-25H ENGINE ASSY-17



A498BT1-25H ENGINE ASSY-17

No.	Part No.	Description	Ver- sion	QTY.	Remark
1	490BT-08001-3	EXHAUST PIPE		1	
2	490BT-08004	EXHAUST PIPE GASKET		1	
3	GBT899-AM10X1X25	DOUBLE END STUDS		4	
4	GBT6171-M10X1	HEXAGON NUT		4	
5	GBT6173-M10X1	HEXAGON THIN NUT		4	
6	GBT6170-M8(3)	HEXAGON NUT		8	
7	GBT93-8(12)	SPRING WASHER		8	
8	GBT97.1-8(8)	FLAT WASHER		8	
9	GBT899-AM8X25	DOUBLE END STUDS		8	
10	490B-03003	EXHAUST PIPE GASKET		4	

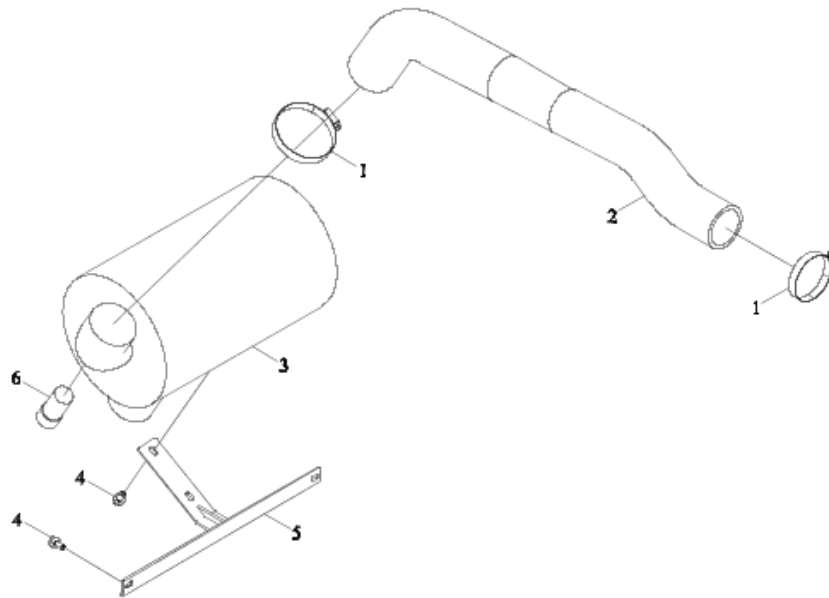
A498BT1-25H ENGINE ASSY-18



A498BT1-25H ENGINE ASSY-18

No.	Part No.	Description	Version	QTY.	Remark
1	490B-32000B	OIL FILTER		1	
1.1	JX85100C	OIL FILTER ELEMENT		1	
2	GBT97.1-8(7)	FLAT WASHER		2	
3	GBT93-8(13)	SPRING WASHER		2	
4	GBT5782-M8X50(3)	BOLT		1	
5	GBT5783-M8X30(6)	BOLT		1	
6	QDJ1409	STARTOR		1	
8	4D32T31-56000	AIR CONDITION BRACKET		1	
9	495B-53001-3	AIR COMPRESSOR BRACKET		1	

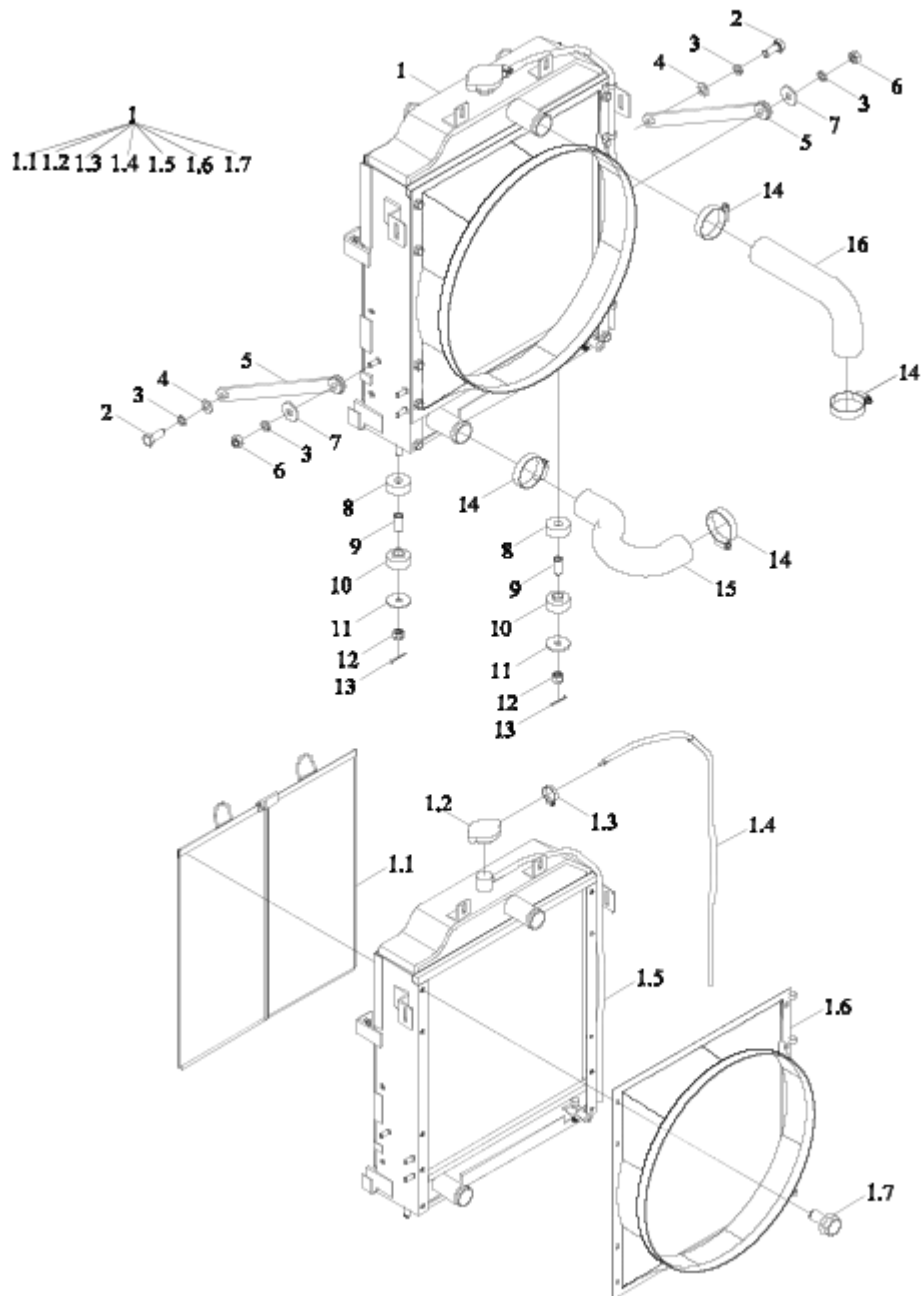
TS0411006000K AIR FILTER SYSTEM ASSEMBLY



TS04110060000K AIR FILTER SYSTEM ASSEMBLY

No.	Part No.	Description	Version	QTY.	Remark
	TS04110060000K	AIR FILTER SYSTEM ASSEMBLY		1	
1	Q67676	B-TYPE WORM TRANSMISSION HOSE CLAMP		1	
2	TS04110060001K	HOSE		1	
3	TB400.11.1	AIR FILTER ASSEMBLY		1	
4	GBT5789-M8X16-8.8-A2L	HEXAGON FLANGE NUT		4	
5	TB500.11B.2	AIR FILTER BRACKET		1	
6	TD900.11A-01	AIR FILTER MAINTENANCE INDICATOR		1	
7	Q67683	B-TYPE WORM TRANSMISSION HOSE CLAMP		1	

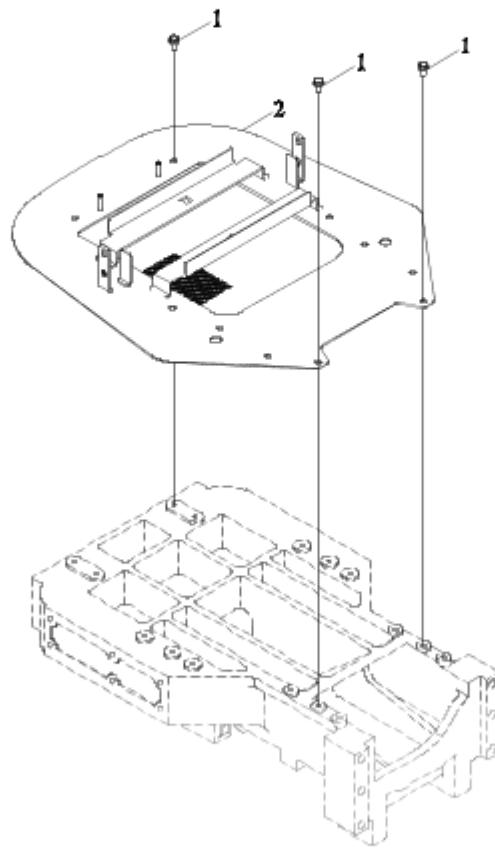
TS0413106000K COOLING SYSTEM ASSEMBLY



TS0413106000K COOLING SYSTEM ASSEMBLY

No.	Part No.	Description	Version	QTY.	Remark
	TS0413106000K	COOLING SYSTEM ASSEMBLY		1	
1	TS04131070001K	RADIATOR INSTALLATION ASSEMBLY		1	
1.1	TS04131070003K	GUARD NET		1	
1.2	TB400.13.1	RADIATOR COVER		1	
1.3	Q676B12	C-TYPE WORM TRANSMISSION HOSE CLAMP		1	
1.4	TH400.13.1-03	WATER HOSE		1	
1.5	TS04131070004K	RADIATOR ASSEMBLY		1	
1.6	TS04131070002K	WINDGUIDE COVER		1	
1.7	GBT5789-M8X16-8.8-A2L	HEXAGON FLANGE NUT		10	
2	GBT5783-M8X20-8.8-A2L	HEXAGON BOLT		2	
3	GBT93-8-A0P	STANDARD SPRING WASHER		4	
4	GBT97.1-8-A0P	FLAT WASHER		2	
5	TS04132010005	PULL ROD UNIT		2	
6	GBT6170-M8-8-A2L	HEXAGON NUT, TYPE-1		2	
7	GBT96.1-8-A0P	BIG WASHER		2	
8	TA700.131-01	RUBBER PAD		2	
9	TA700.131-02	SLEEVE		2	
10	TD800.131-11	RUBBER WASHER		2	
11	FT650.13.116	GASKET		2	
12	GBT6178-M10-8-A3L	HEXAGON SLOTTED NUT, STYLE I		2	
13	GBT91-2.5X28-A0P	SPLIT PIN		2	
14	Q67657	B-TYPE WORM TRANSMISSION HOSE CLAMP		4	
15	FT450.13.102	WATER TANK OUTLET HOSE		1	
16	TS04131060001K	WATER TANK INLET HOSE		1	

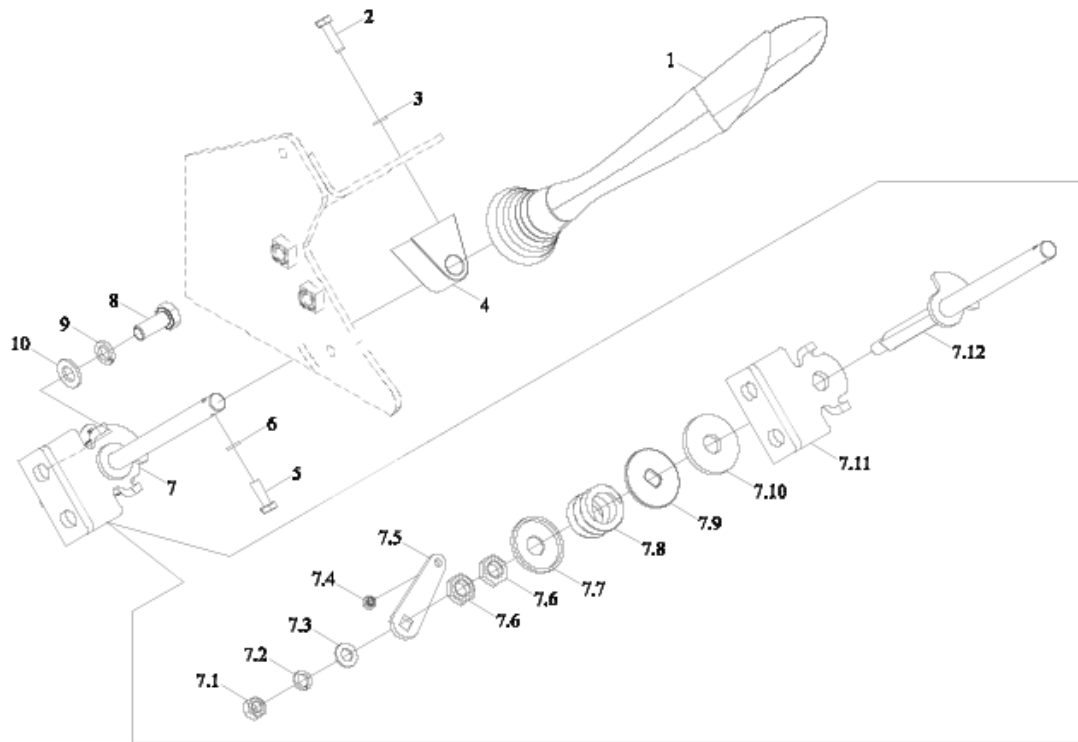
TS04132030000K RADIATOR BACKING BOARD INSTALLATION ASSEMBLY



TS04132030000K RADIATOR BACKING BOARD INSTALLATION ASSEMBLY

No.	Part No.	Description	Version	QTY.	Remark
	TS04132030000K	RADIATOR BACKING BOARD INSTALLATION ASSEMBLY		1	
1	GBT5789-M8X16-8.8-A2L	HEXAGON FLANGE NUT		3	
2	TS04132030001K	RADIATOR BACKING BOARD WELDMENT		1	

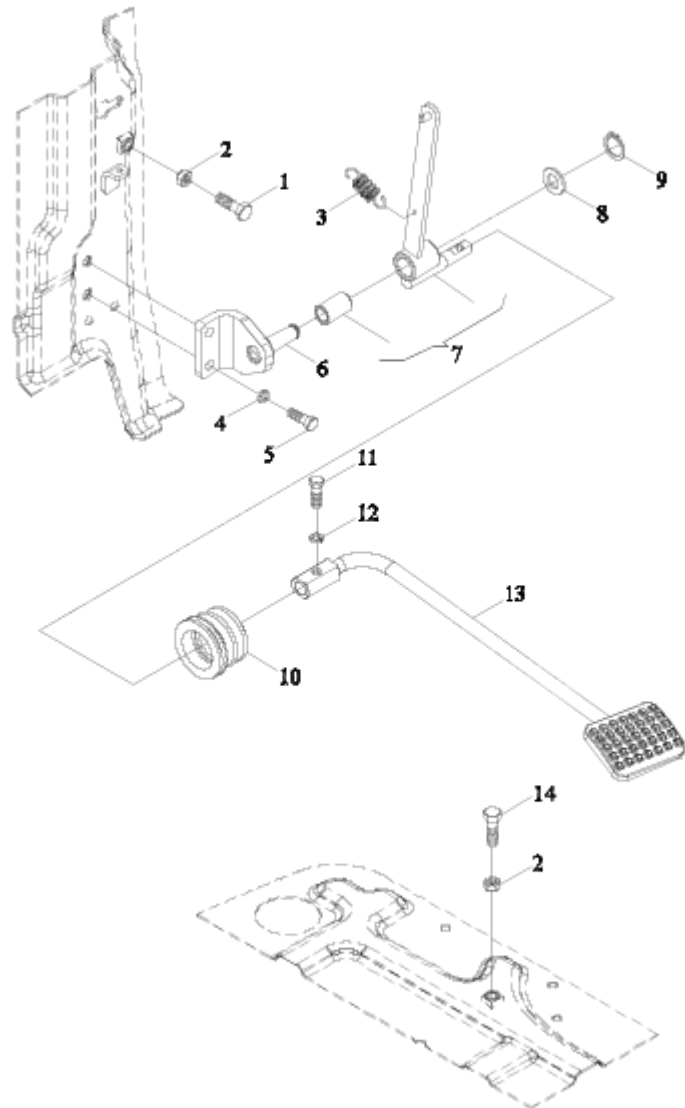
TS04201010000 HAND THROTTLE CONTROL ASSEMBLY



TS04201010000 HAND THROTTLE CONTROL ASSEMBLY

No.	Part No.	Description	Version	QTY.	Remark
	TS04201010000	HAND THROTTLE CONTROL ASSEMBLY		1	
1	TS06201010001	HANDLE ASSEMBLY		1	
2	GBT5783-M8X16-8.8-A2L	HEXAGON BOLT		2	
3	GBT93-8-A0P	STANDARD SPRING WASHER		2	
4	TS06201010002	GUIDE SEAT		1	
5	GBT5783-M6X20-8.8-A2L	HEXAGON BOLT		1	
6	GBT93-6-A0P	STANDARD SPRING WASHER		1	
7	TS04201010001	HAND THROTTLE CONTROL MECHANISM		1	
8	GBT5783-M10X25-8.8-A3L	HEXAGON BOLT		2	
9	GBT93-10-A0P	STANDARD SPRING WASHER		2	
10	GBT97.1-10-A0P	FLAT WASHER		2	

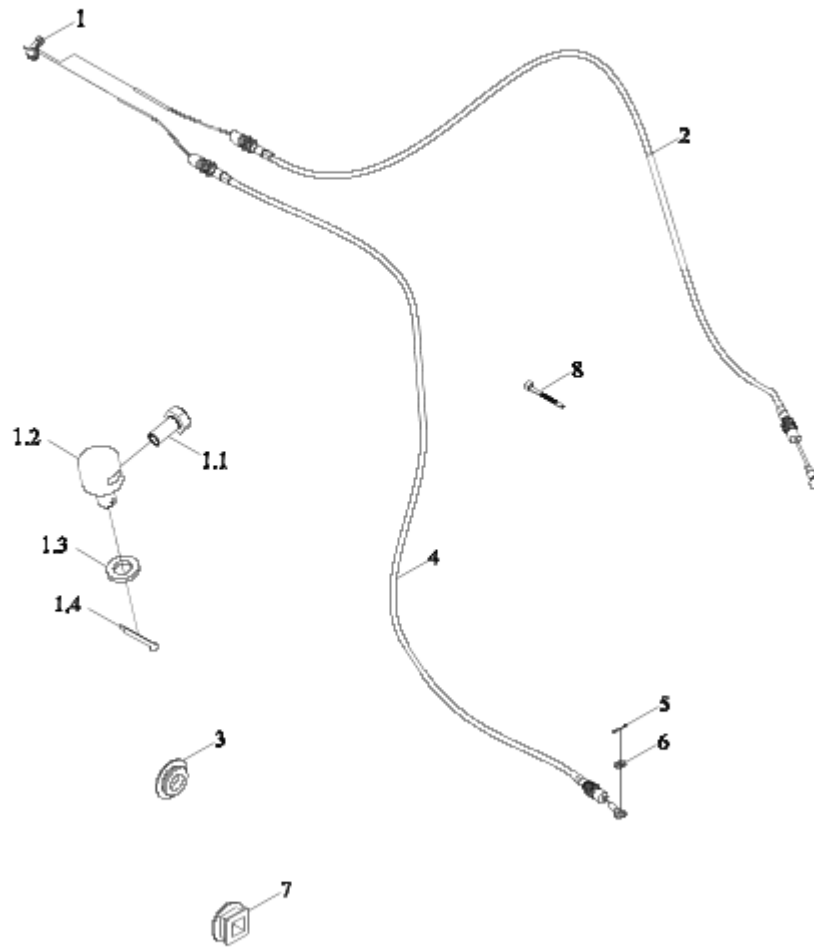
TS04202010000 FOOT THROTTLE CONTROL ASSEMBLY



TS04202010000 FOOT THROTTLE CONTROL ASSEMBLY

No.	Part No.	Description	Version	QTY.	Remark
	TS04202010000	FOOT THROTTLE CONTROL ASSEMBLY		1	
1	GBT5782-M8X45-8.8-A2L	HEXAGON BOLT		1	
2	GBT6170-M8-8-A2L	HEXAGON NUT, TYPE-1		2	
3	TB604.202A-01	RETURN SPRING		1	
4	GBT93-8-A0P	STANDARD SPRING WASHER		2	
5	GBT5783-M8X20-8.8-A2L	HEXAGON BOLT		2	
6	TS04202010003	BRACKET WELDMENT		1	
7	TS04202010002	ROTARY SHAFT BUSH		1	
8	GBT97.1-12-A0P	FLAT WASHER		1	
9	GBT894.1-12	CIRCLIP FOR SHAFT		1	
10	TB400.474E-01	DUSTPROOF SLEEVE		1	
11	GBT5783-M6X20-8.8-A2L	HEXAGON BOLT		1	
12	GBT93-6-A0P	STANDARD SPRING WASHER		1	
13	TS04202010001	FOOT PEDAL ROCKER WELDMENT		1	
14	GBT5783-M8X35-8.8-A2L	HEXAGON BOLT		1	

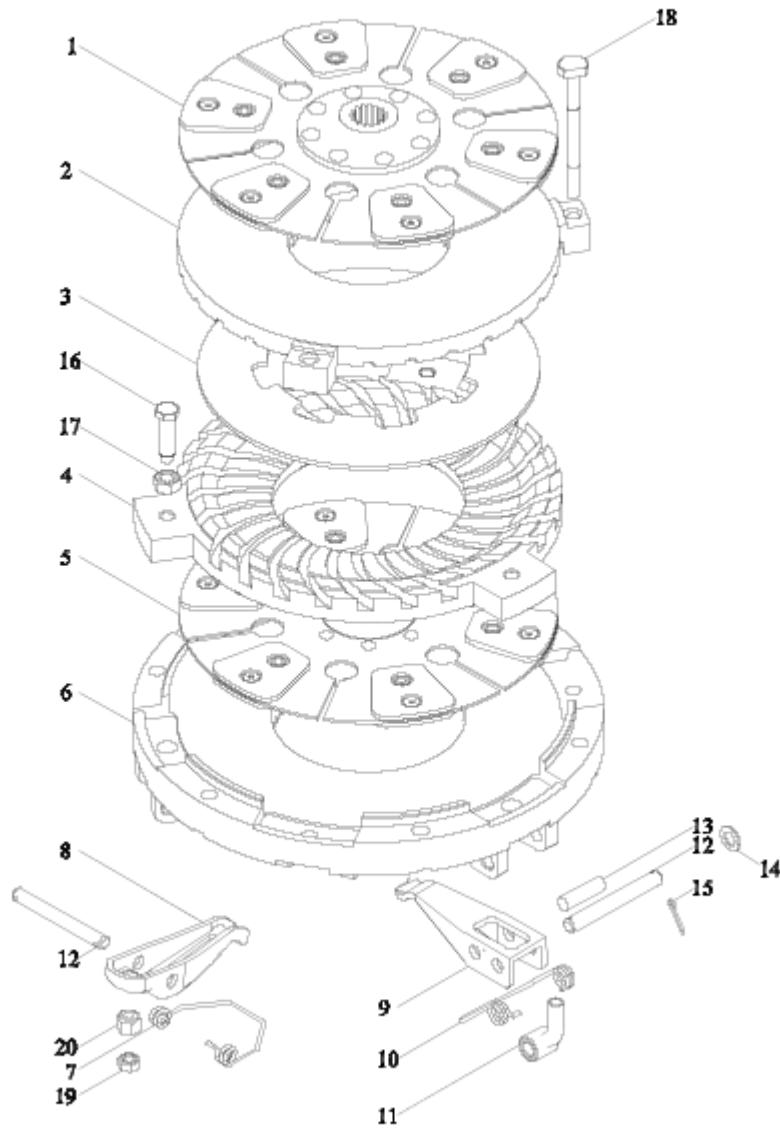
TS04203010000K PULL WIRE ASSEMBLY



TS04203010000K PULL WIRE ASSEMBLY

No.	Part No.	Description	Version	QTY.	Remark
	TS04203010000K	PULL WIRE ASSEMBLY		1	
1	TF1354.203.1	FIXING SEAT UNIT		1	
1.1	GBT5781-M5X10-4.8-A2L	HEXAGON BOLT		1	
1.2	TF1354.203.1-01	FIXING SEAT		1	
1.3	GBT848-6-A0P	SMALL WASHER		1	
1.4	GBT91-1.6X12-A0P	SPLIT PIN		1	
2	TS04203010001	HAND THROTTLE WIRE ASSEMBLY		1	
3	TS04203010001K	PROCESS PLUG COVER 16		3	
4	TS04203010003K	FOOT THROTTLE WIRE ASSEMBLY		1	
5	GBT91-2X12-A0P	SPLIT PIN		1	
6	GBT97.1-6-A0P	FLAT WASHER		1	
7	TS04203010002K	PLUG COVER OF EXTINGUISH WIRE FIXING HOLE		1	
8	Q67405100	PLASTIC FASTENING STRIP		999	

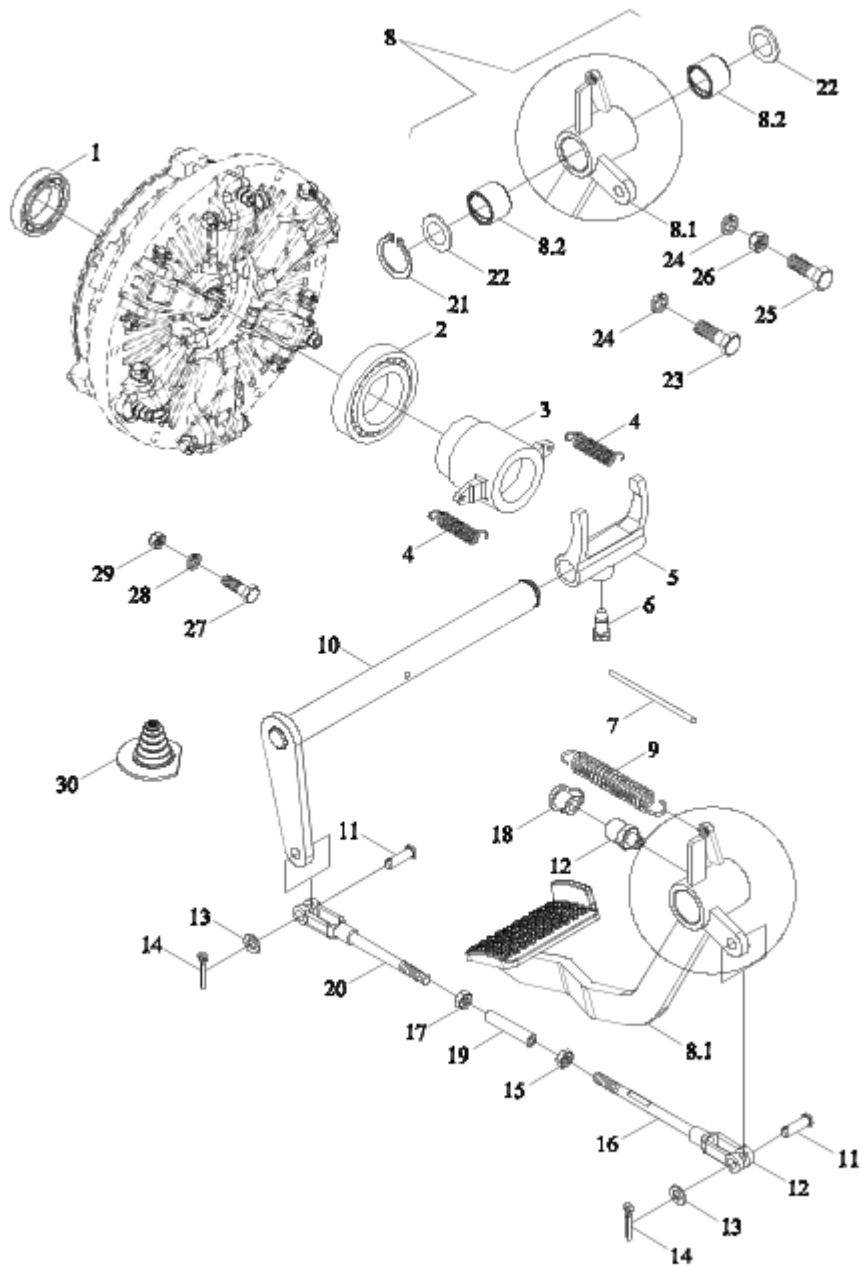
TB550. 211A CLUTCH SUBASSEMBLY



TB550. 211A CLUTCH SUBASSEMBLY

No.	Part No.	Description	Version	QTY.	Remark
	TB550.211A	CLUTCH SUBASSEMBLY		1	
1	CF550A.21.025	AUXILIARY CLUTCH FRICTION PLATE ASSEMBLY		1	
2	FT400.21B.102	AUXILIARY CLUTCH PRESSURE PLATE		1	
3	TB550.211-01	BUTTERFLY SPRING		1	
4	FT400.21B.113	MAIN CLUTCH PRESSURE PLATE		1	
5	CF550A.21.024	MAIN CLUTCH FRICTION PLATE ASSEMBLY		1	
6	FT400.21B.112	CLUTCH COVER		1	
7	FT300.21B.120	AUXILIARY RELEASE LEVER SPRING		1	
8	FT400.21B.106	AUXILIARY CLUTCH RELEASE LEVER		1	
9	FT400.21B.107	MAIN CLUTCH RELEASE LEVER		1	
10	FT400.21B.108	MAIN RELEASE LEVER SPRING		1	
11	FT400.21B.110	TOP ROD		1	
12	FT300.21B.111	LONG PIN		1	
13	FT300.21B.109	PIN SHAFT		1	
14	GBT848-10-A0P	SMALL WASHER		1	
15	GBT91-3.2X16-A0P	SPLIT PIN		1	
16	FT300.21B.114	MAIN CLUTCH ADJUSTING SCREW		1	
17	GBT6171-M10X1-A2L	HEXAGON NUT, TYPE-1		1	
18	FT400.21B.104	AUXILIARY CLUTCH PULL ROD		1	
19	GBT6171-M8X1-A2L	HEXAGON NUT, TYPE-1		1	
20	FT300.21B.105	BALL NUT		1	

TB604. 212A CLUTCH CONTROL ASSEMBLY



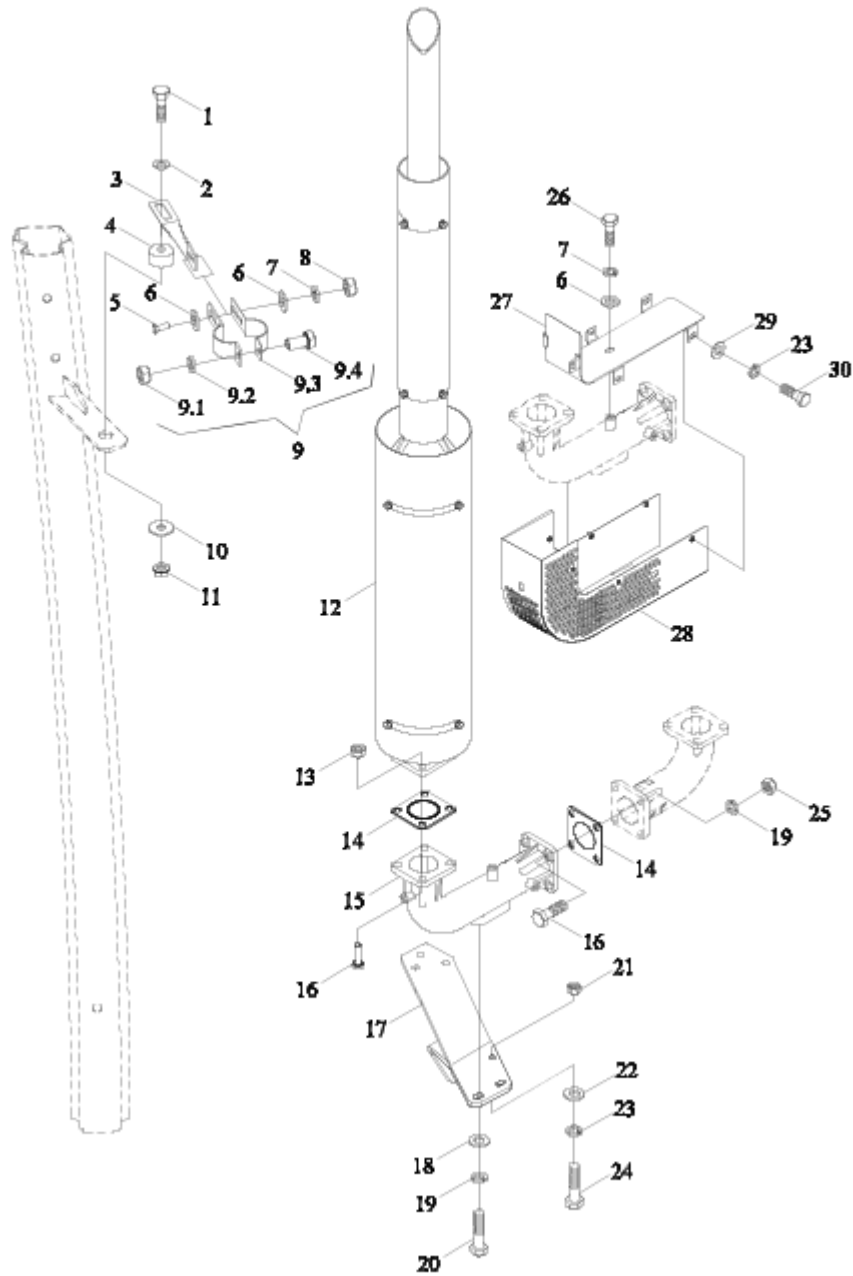
TB604. 212A CLUTCH CONTROL ASSEMBLY

No.	Part No.	Description	Ver- sion	QTY.	Remark
	TB604.212A	CLUTCH CONTROL ASSEMBLY		1	
1	GBT276-6204-2RS	DEEP GROOVE BALL BEARING		1	
2	TA800.212-02	RELEASE BEARING 996713		1	
3	FT400.21B.101	RELEASE BEARING SEAT		1	
4	FT300.21.102	THRUST BEARING SEAT RETURN SPRING		2	
5	FT300.21.103	RELEASE FORK		1	
6	FT300.21.113	THRUST SCREW		1	
7	TA800.212B-02	LOW CARTON STEEL WIRE SZ-1.4		1	
8	TB604.212.1	CLUTCH PEDAL UNIT		1	
8.1	TB604.212.1.1	CLUTCH PEDAL WELDMENT		1	
8.2	FT300.37.159	RELEASE FORK SHAFT BUSH		2	
9	TD800.43-01	PEDAL RETURN SPRING		1	
10	TB604.212.3	CLUTCH ROCKER SHAFT WELDMENT		1	
11	GBT882-B10X32-A3L	PIN SHAFT		2	
12	JBT7940.1-M8X1	STRAIGHT FORCED FILLING OIL CUP		1	
13	GBT97.1-10-A3L	FLAT WASHER		2	
14	GBT91-3.2X20-A3L	SPLIT PIN		2	
15	GBT6171-M12X1.5-8-A3L	HEXAGON NUT, TYPE-1		1	
16	TB604.212A.5	UPPER PULL ROD WELDMENT		1	
17	GBT6171-M12X1.5-LH-8-A3L	HEXAGON NUT, TYPE-1		1	
18	TD800.311C.1-01	DUSTPROOF CAP OF OIL CUP		1	
19	TE354.433-03	CONNECTING ROD		1	
20	TB604.212.6	LOWER PULL ROD WELDMENT		1	
21	GBT894.1-25	CIRCLIP FOR SHAFT		1	
22	TE250.433C-02	GASKET		2	
23	GBT5783-M10X40-8.8-A3L	HEXAGON BOLT		6	
24	GBT93-10-A3L	STANDARD SPRING WASHER		7	

TB604. 212A CLUTCH CONTROL ASSEMBLY (cont'd.)

No.	Part No.	Description	Version	QTY.	Remark
25	GBT5783-M10X70-8.8-A2L	HEXAGON BOLT		1	
26	GBT6170-M10-8-A3L	HEXAGON NUT, TYPE-1		1	
27	GBT5783-M8X30-8.8-A2L	HEXAGON BOLT		1	
28	GBT93-8-A3L	STANDARD SPRING WASHER		1	
29	GBT6172.1-M8-04-A2L	HEXAGON THIN NUT		1	
30	TB604.212-02	DUSTPROOF SLEEVE		1	

TS04220010000 EXHAUST SYSTEM ASSEMBLY



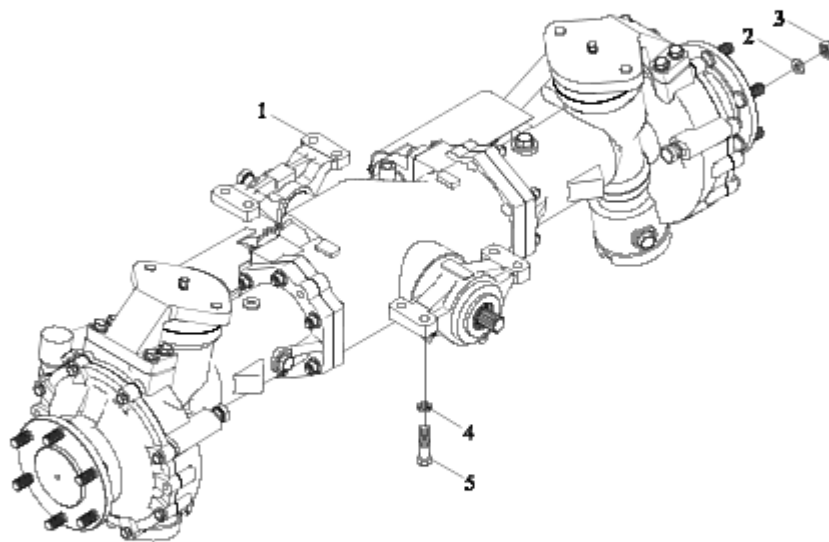
TS04220010000 EXHAUST SYSTEM ASSEMBLY

No.	Part No.	Description	Ver- sion	QTY.	Remark
	TS04220010000	EXHAUST SYSTEM ASSEMBLY		1	
1	GBT5782-M12X50-8.8-A3L	HEXAGON BOLT		1	
2	GBT97.1-12-A0P	FLAT WASHER		1	
3	TD900.22B-04	PULL ROD		1	
4	TD900.22B-03	UPPER RUBBER GASKET		1	
5	GBT5783-M8X20-8.8-A2L	HEXAGON BOLT		2	
6	GBT97.1-8-A0P	FLAT WASHER		5	
7	GBT93-8-A0P	STANDARD SPRING WASHER		5	
8	GBT6170-M8-8-A2L	HEXAGON NUT, TYPE-1		2	
9	TS04220010004	CLIP INSTALLATION ASSEMBLY		1	
10	GBT96.1-12-A0P	BIG WASHER		1	
11	SPL6177.1-M12-F3	HEXAGON FLANGE NUT		1	
12	TS04220010001	MUFFLER ASSEMBLY		1	
13	SPL6175PT-M10X1.5-8F3	HEXAGON SELF-LOCKING NUT, STYLE 2		4	
14	FT300.22.030	SEAL GASKET UNIT		2	
15	TS04220010002	EXHAUST BENDING PIPE 1		1	
16	GBT5783-M10X35-8.8-A3L	HEXAGON BOLT		8	
17	TS04220010005	BRACKET		1	
18	GBT97.1-10-A0P	FLAT WASHER		2	
19	GBT93-10-A0P	STANDARD SPRING WASHER		9	
20	GBT5783-M10X25-8.8-A3L	HEXAGON BOLT		5	
21	GBT13681-M6-A2L	NUT		1	
22	GBT96.1-6-A0P	BIG WASHER		1	
23	GBT93-6-A0P	STANDARD SPRING WASHER		7	
24	GBT5783-M6X20-8.8-A2L	HEXAGON BOLT		1	
25	GBT6170-M10-8-A3L	HEXAGON NUT, TYPE-1		4	
26	GBT5783-M8X16-8.8-A2L(2)	HEXAGON BOLT		3	
27	TS04220010011	UPPER SHIELD NET		1	
28	TS04220010010	DOWN GUARD NET WELDMENT		1	

TS04220010000 EXHAUST SYSTEM ASSEMBLY (cont'd.)

No.	Part No.	Description	Version	QTY.	Remark
29	GBT97.1-6-A0P	FLAT WASHER		6	
30	GBT5783-M6X12-8.8-A2L	HEXAGON BOLT		6	

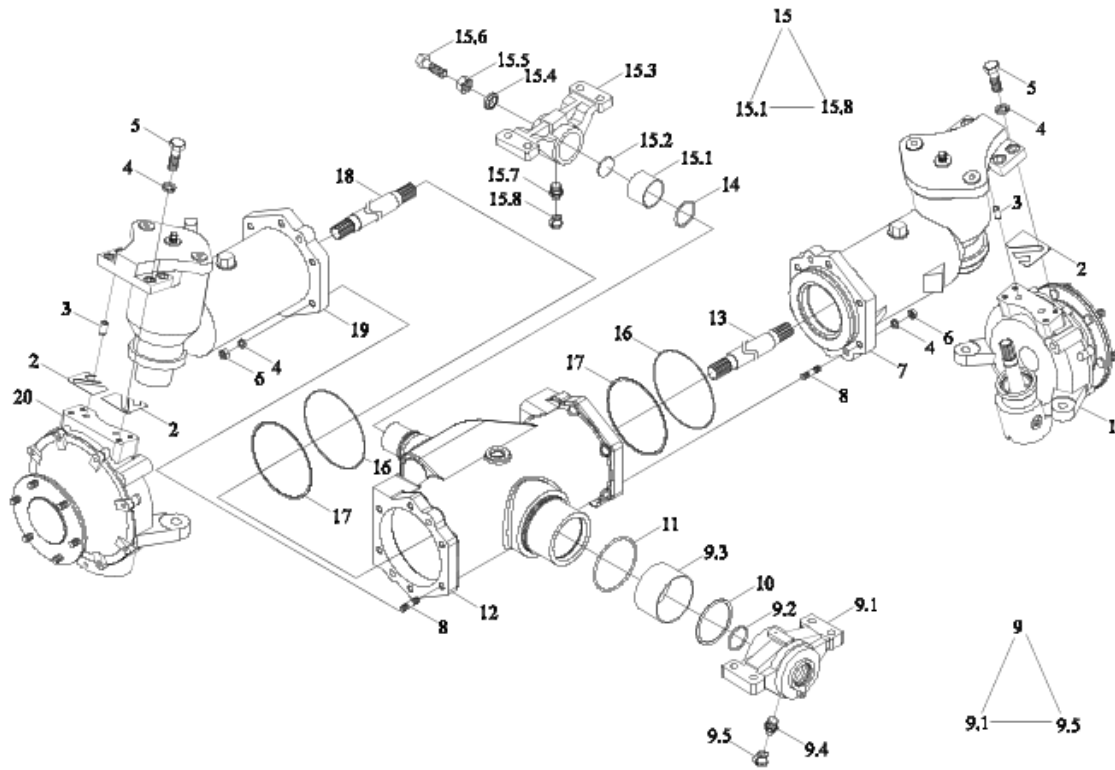
TC02311210000 FRONT DRIVING AXLE ASSEMBLY-1



TC02311210000 FRONT DRIVING AXLE ASSEMBLY-1

No.	Part No.	Description	Version	QTY.	Remark
	TC02311210000	FRONT DRIVING AXLE ASSEMBLY		1	
1	TC02311210001	FRONT DRIVING AXLE SUB-ASSEMBLY		1	
2	FT400.31B.103	WASHER		12	
3	GBT6176-M14X1.5-10-A3L	HEXAGON NUT, TYPE-2		12	
4	GBT93-14-A0P	STANDARD SPRING WASHER		8	
5	GBT5783-M14X45-10.9-A3L	HEXAGON BOLT		8	

TC0231121000 FRONT DRIVING AXLE ASSEMBLY-2



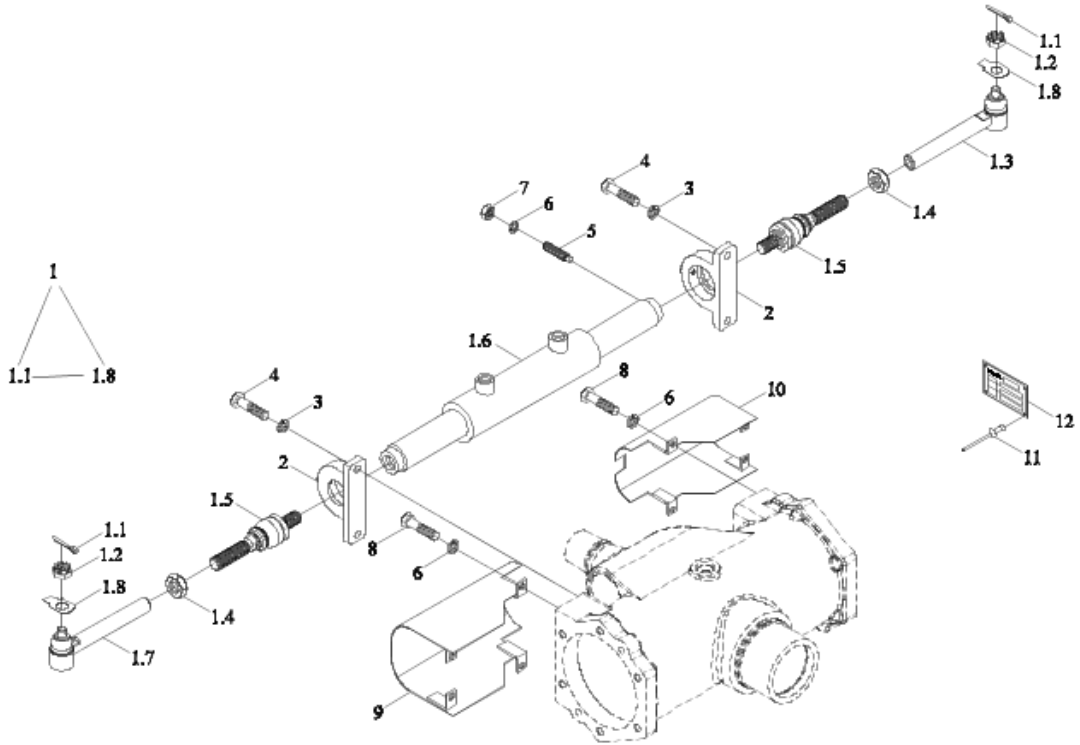
TC02311210000 FRONT DRIVING AXLE ASSEMBLY-2

No.	Part No.	Description	Version	QTY.	Remark
	TC02311210000(2)	FRONT DRIVING AXLE ASSEMBLY		1	
1	TC02311020013	RIGHT FINAL TRANSMISSION ASSEMBLY		1	
2	TC02311010012	ADJUSTING GASKET		1	
3	GBT119.1-12m6X22-A0P	COLUMN PIN		1	
4	GBT93-12-A0P	STANDARD SPRING WASHER		8	
5	GBT5783-M12X40-10.9-A3L	HEXAGON BOLT		8	
6	GBT6170-M12-8-A3L	HEXAGON NUT, TYPE-1		12	
7	TC02311020003	RIGHT TRANSMISSION ASSEMBLY		1	
8	GBT5783-M12X45-10.9-A3L	HEXAGON BOLT		12	
9	TC02311010009	REAR BRACKET		1	
9.1	TC02311010071	REAR BRACKET		1	
9.2	GBT3452.1-45.0X3.55G	RUBBER O-SEAL RING		1	
9.3	TC02311010072	SLIDING BEARING		1	
9.4	JBT7940.1-M10X1	STRAIGHT FORCED FILLING OIL CUP		1	
9.5	TD800.311C.1-01	DUSTPROOF CAP OF OIL CUP		1	
10	TC02311010017	COPPER WASHER		1	
11	GBT3452.1-97.5X3.55G	RUBBER O-SEAL RING		1	
12	TC02311010002	MAIN REDUCER BOX ASSEMBLY		1	
13	TC02311020010	RIGHT HALF SHAFT		1	
14	GBT3452.1-48.7X2.65G	RUBBER O-SEAL RING		1	
15	TC02311010008	FRONT BRACKET ASSEMBLY		1	
15.1	TC02311010066	SLIDING BEARING		1	
15.2	TC02311010067	GASKET		1	
15.3	TC02311010065	FRONT BRACKET		1	
15.4	TC02311010068	SEAL GASKET		1	
15.5	GBT6170-M16-8-A3L	HEXAGON NUT, TYPE-1		1	
15.6	GBT5783-M16X50-8.8-A3L	HEXAGON BOLT		1	
15.7	JBT7940.1-M10X1(2)	STRAIGHT FORCED FILLING OIL CUP		1	
15.8	TD800.311C.1-01(2)	DUSTPROOF CAP OF OIL CUP		1	

TC02311210000 FRONT DRIVING AXLE ASSEMBLY-2 (cont'd.)

No.	Part No.	Description	Version	QTY.	Remark
16	GBT3452.1-136X3.55G	RUBBER O-SEAL RING		2	
17	TC02311010081	ADJUSTING WASHER		1	
18	TC02311020009	LEFT HALF SHAFT		1	
19	TC02311020002	LEFT TRANSMISSION ASSEMBLY		1	
20	TC02311020012	LEFT FINAL TRANSMISSION ASSEMBLY		1	

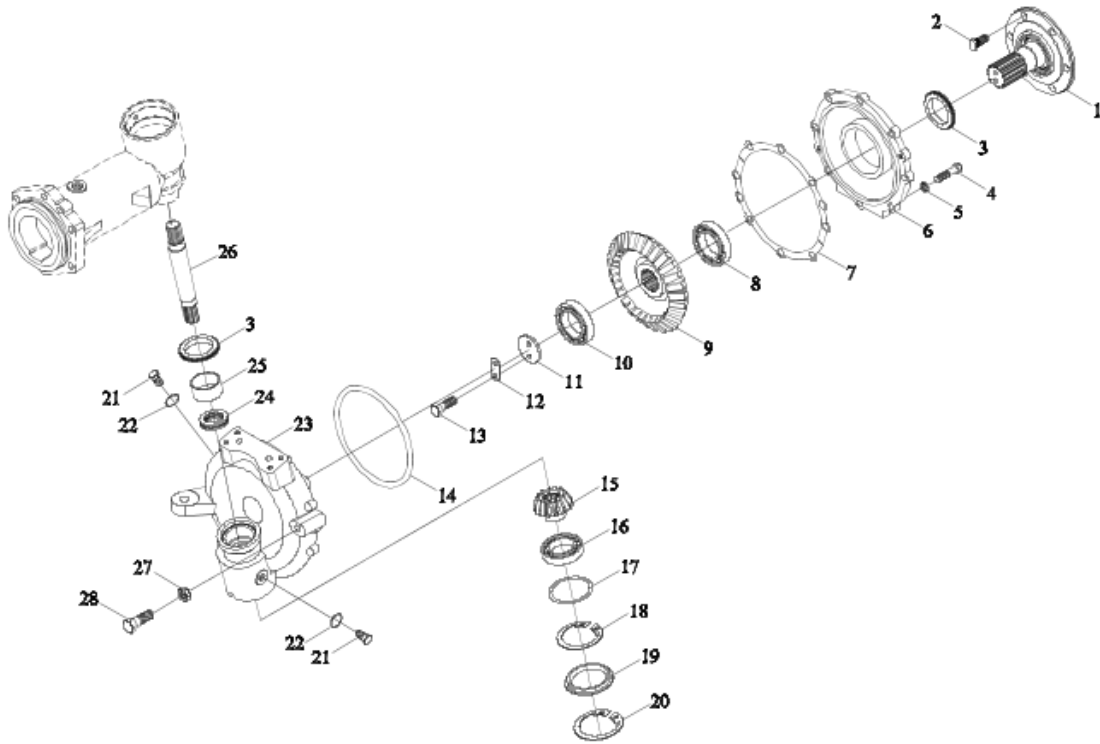
TC02311210000 FRONT DRIVING AXLE ASSEMBLY-3



TC02311210000 FRONT DRIVING AXLE ASSEMBLY-3

No.	Part No.	Description	Version	QTY.	Remark
	TC02311210000(3)	FRONT DRIVING AXLE ASSEMBLY		1	
1	TC02311210003	STEERING OIL CYLINDER ASSEMBLY		1	
1.1	GBT91-3.2X40-A0P	SPLIT PIN		2	
1.2	TC02311010075	HEXAGON SLOTTED NUT		2	
1.3	TC02311020011	RIGHT STEERING CONNECTING		1	
1.4	GBT6173-M22X1.5-05-A3L	HEXAGON THIN NUT		2	
1.5	TC02311010077	JOINT		2	
1.6	TC02311170004	STEERING OIL CYLINDER		1	
1.7	TC02311020008	LEFT STEERING CONNECTING		1	
1.8	GBT854-22	STOPPING WASHER		2	
2	TC02311010085	OIL CYLINDER SUPPORT SEAT		2	
3	GBT93-12-A0P(2)	STANDARD SPRING WASHER		4	
4	GBT5783-M12X35-10.9-A3L	HEXAGON BOLT		4	
5	GBT75-M8X35-14H-A2L	SLOTTED LOCKING SCREW		2	
6	GBT93-8-A0P	STANDARD SPRING WASHER		10	
7	TC02311020021	RIM BOLT COVER		12	
8	GBT5783-M8X16-8.8-A2L	HEXAGON BOLT		8	
9	TC02311170050	BONNET		2	
10	TC02311010015	BONNET		2	
11	GBT827-2.5X4-A0P	LABEL RIVET		4	
12	9F650-26B010004A0	NAME PLATE		1	

TC02311210000 FRONT DRIVING AXLE ASSEMBLY-4



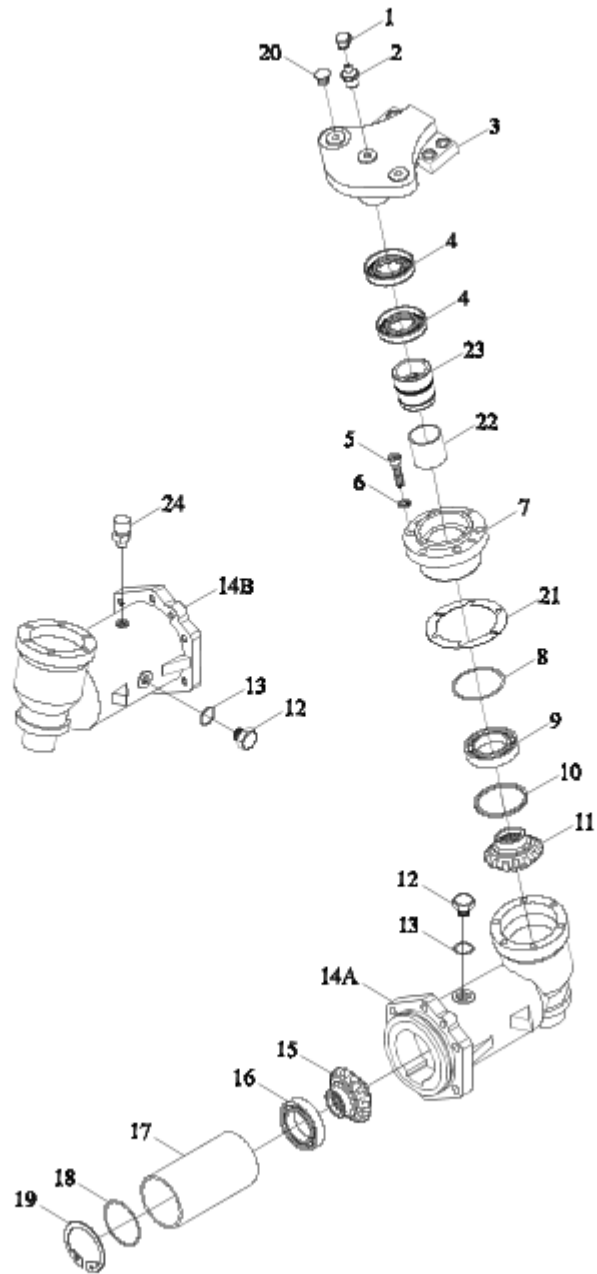
TC02311210000 FRONT DRIVING AXLE ASSEMBLY-4

No.	Part No.	Description	Version	QTY.	Remark
	TC02311210000(4)	FRONT DRIVING AXLE ASSEMBLY		1	
	TC02311020012(2)	LEFT FINAL TRANSMISSION ASSEMBLY		1	
	TC02311020013(2)	RIGHT FINAL TRANSMISSION ASSEMBLY		1	
1	TC02311020014	FRONT DRIVING SHAFT		1	
2	TC02311020015	BOLT		6	
3	TC02311010032	FLOATING OIL SEAL		2	
4	GBT5783-M10X40-10.9-A3L	HEXAGON BOLT		8	
5	GBT93-10-A0P	STANDARD SPRING WASHER		8	
6	TC02311010050	BIG END COVER		1	
7	TC02311010060	ADJUSTING GASKET		1	
8	GBT276-6410	DEEP GROOVE BALL BEARING		1	
9	TC02311020019	BIG END GEAR		1	
10	GBT276-6310	DEEP GROOVE BALL BEARING		1	
11	TC02311010055	GASKET		1	
12	TC02311010054	LOCK WASHER		1	
13	GBT5783-M10X30-10.9-A3L	HEXAGON BOLT		2	
14	GBT3452.1-243X5.30G	RUBBER O-SEAL RING		1	
15	TC02311020020	END PINION		1	
16	GBT276-6308	DEEP GROOVE BALL BEARING		1	
17	TC02311010059	ADJUSTING GASKET		1	
18	GBT893.1-90	CIRCLIPS FOR HOLE		1	
19	TC02311010058	SEAL COVER		1	
20	GBT893.1-102	CIRCLIPS FOR HOLE		1	
21	TD904.311K.1-13	SCREW PLUG		2	
22	GBT3452.1-21.2X2.65G	RUBBER O-SEAL RING		2	
23	TC02311010048	RIGHT FINAL TRANSMISSION HOUSING		1	
23	TC02311010047	LEFT FINAL TRANSMISSION HOUSING		1	
24	GBT301-51107	THRUSTBEARING		1	
25	TC02311010057	BUSH		1	

TC02311210000 FRONT DRIVING AXLE ASSEMBLY-4 (cont'd.)

No.	Part No.	Description	Version	QTY.	Remark
26	TC02311010056	END SPLINE SHAFT		1	
27	GBT6172.1-M16-04-A3L	HEXAGON THIN NUT		1	
28	GBT5783-M16X40-10.9-A3L	HEXAGON BOLT		1	

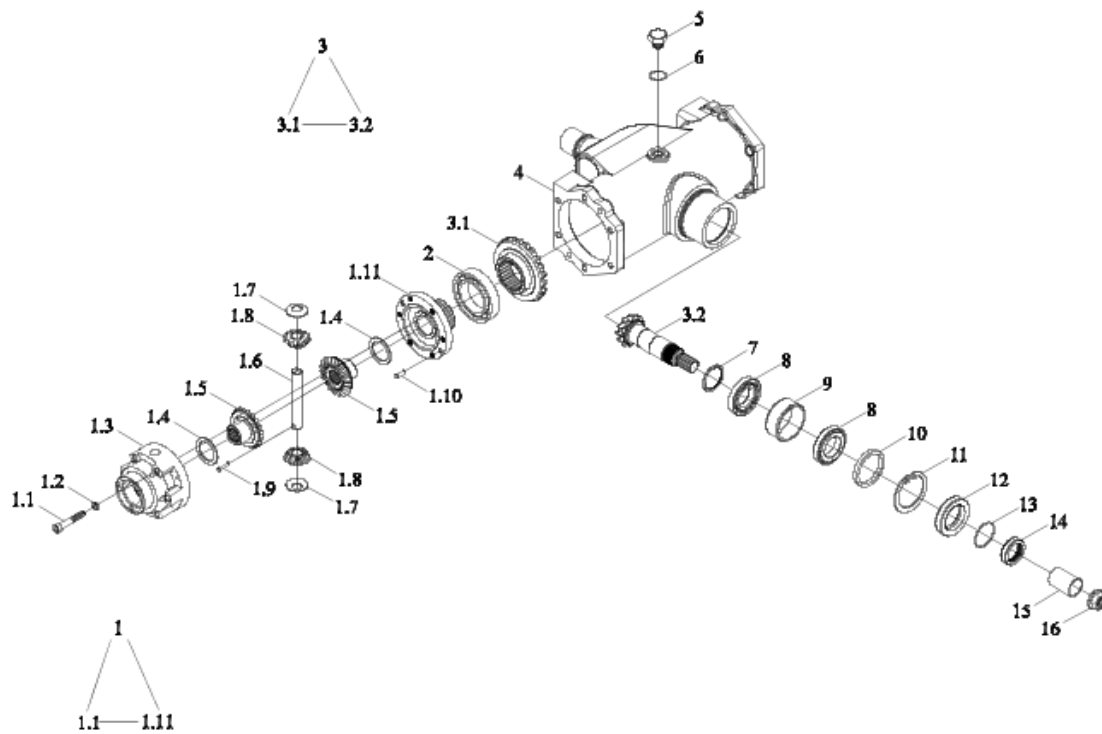
TC02311210000 FRONT DRIVING AXLE ASSEMBLY-5



TC02311210000 FRONT DRIVING AXLE ASSEMBLY-5

No.	Part No.	Description	Version	QTY.	Remark
	TC02311210000(5)	FRONT DRIVING AXLE ASSEMBLY		1	
	TC02311020002(2)	LEFT TRANSMISSION ASSEMBLY		1	
	TC02311020003(2)	RIGHT TRANSMISSION ASSEMBLY		1	
1	TD800.311C.1-01(3)	DUSTPROOF CAP OF OIL CUP		1	
2	JBT7940.1-M10X1(3)	STRAIGHT FORCED FILLING OIL CUP		1	
3	TC02311010041	CONNECTING COVER		1	
4	GBT9877.1-FB65X85X10D	SEAL RING		2	
5	GBT70.1-M8X25-8.8	INNER HEXAGON SCREW		6	
6	GBT93-8-A0P(2)	STANDARD SPRING WASHER		6	
7	TC02311010044	OIL SEAL END COVER		1	
8	GBT3452.1-92.5X5.30G	RUBBER O-SEAL RING		1	
9	GBT276-6211	DEEP GROOVE BALL BEARING		1	
10	TC02311010039	WASHER		1	
11	TC02311020018	GEAR		1	
12	TD904.311K.1-13(2)	SCREW PLUG		1	
13	GBT3452.1-21.2X2.65G(2)	RUBBER O-SEAL RING		1	
14	TC02311020006	RIGHT HALF SHAFT HOUSING		1	
14	TC02311020004	LEFT HALF SHAFT HOUSING BODY		1	
15	TC02311020017	DRIVING GEAR		1	
16	GBT276-6309	DEEP GROOVE BALL BEARING		1	
17	TC02311020005	SLEEVE		1	
18	TC02311010073	ADJUSTING WASHER		1	
19	GBT893.1-100	CIRCLIPS FOR HOLE		1	
20	TC02311010074	PLUG		2	
21	TC02311010040	ADJUSTING GASKET		1	
22	TC02311010043	SLIDING BEARING		1	
23	TC02311010042	BUSH		1	
24	TD904.311K.1.6	PLUG		1	

TC02311210000 FRONT DRIVING AXLE ASSEMBLY-6



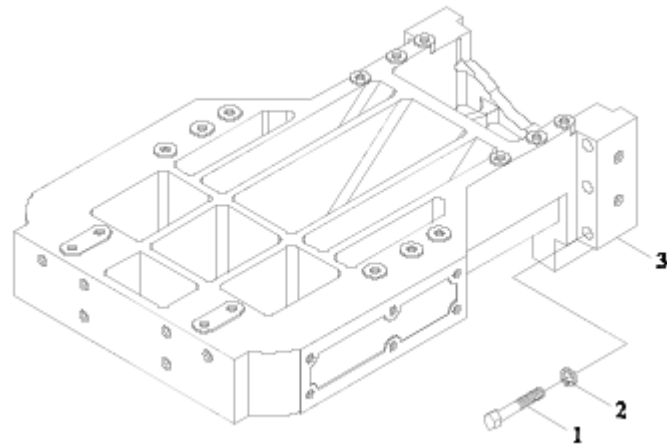
TC02311210000 FRONT DRIVING AXLE ASSEMBLY-6

No.	Part No.	Description	Ver- sion	QTY.	Remark
	TC02311210000(6)	FRONT DRIVING AXLE ASSEMBLY		1	
	TC02311010002(2)	MAIN REDUCER BOX ASSEMBLY		1	
1	TC02311010018	DIFFERENTIAL ASSEMBLY		1	
1.1	GBT70.1-M10X70-8.8	INNER HEXAGON SCREW		6	
1.2	GBT93-10	STANDARD SPRING WASHER		6	
1.3	TC02311010027	DIFFERENTIAL LEFT HOUSING		1	
1.4	TC02311010030	HALF SHAFT GEAR WASHER		2	
1.5	TC02311010035	HALF SHAFT GEAR		2	
1.6	TC02311010033	PLANET GEAR SHAFT		1	
1.7	TC02311010031	PLANET GEAR WASHER		2	
1.8	TC02311010034	PLANET GEAR		2	
1.9	GBT119.1-8h8X45-A0P	COLUMN PIN		1	
1.10	GBT119.1-8h8X20-A0P	COLUMN PIN		2	
1.11	TC02311010028	DIFFERENTIAL RIGHT HOUSING		1	
2	GBT276-6216	DEEP GROOVE BALL BEARING		2	
3	TC02311010026	GEAR		1	
3.1	TC02311010029	CENTRAL TRANSMISSION BIG SPIRAL BEVEL GEAR		1	
3.2	TC02311010020	DRIVING SPIRAL BEVEL GEAR SHAFT		1	
4	TC02311010019	MAIN REDUCER BOX HOUSING		1	
5	TD904.311K.1-13(3)	SCREW PLUG		1	
6	GBT3452.1-21.2X2.65G(3)	RUBBER O-SEAL RING		1	
7	TC02311010083	ADJUSTING GASKET		1	
8	GBT297-32208	TAPERED ROLLER BEARING		2	
9	TC02311010022	SPACER BUSH		1	
10	TC02311010023	ADJUSTING GASKET		1	
11	GBT893.1-80	CIRCLIPS FOR HOLE		1	
12	GBT9877.1-FB55X80X8D	SEAL RING		1	
13	GBT3452.1-41.2X3.55G	RUBBER O-SEAL RING		1	

TC02311210000 FRONT DRIVING AXLE ASSEMBLY-6 (cont'd.)

No.	Part No.	Description	Version	QTY.	Remark
14	TC02311010025	OIL SEAL SEAT		1	
15	TC02311010024	PROTECTION BUSH		1	
16	TC02311010088	LOCKING NUT		1	

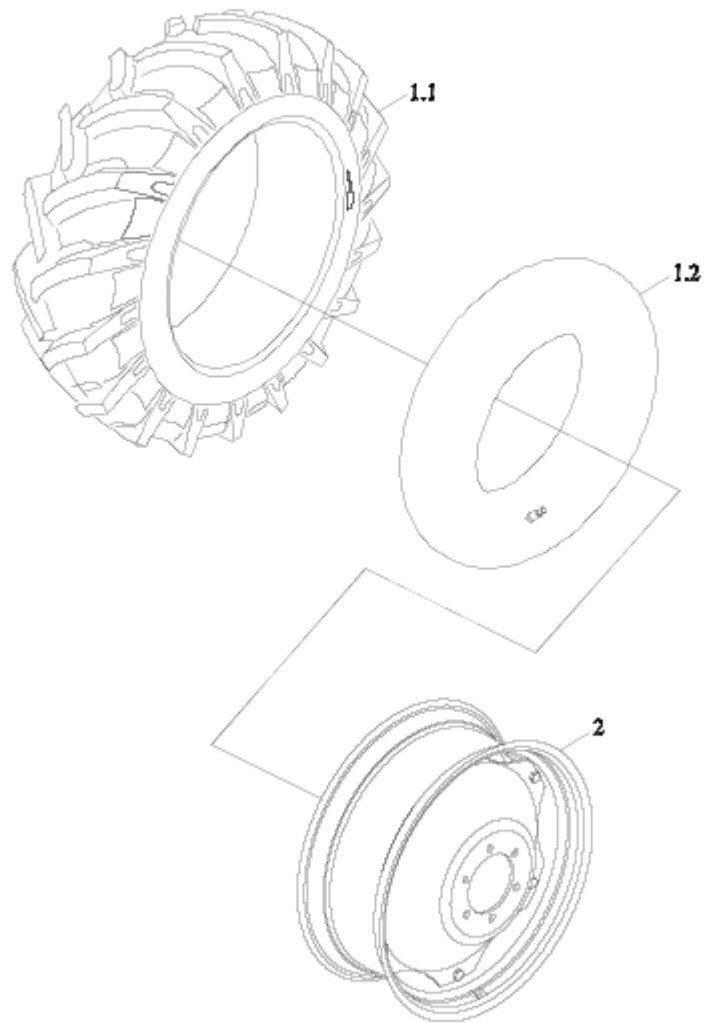
TB554. 312 FRONT BRACKET ASSEMBLY



TB554. 312 FRONT BRACKET ASSEMBLY

No.	Part No.	Description	Version	QTY.	Remark
1	TC02312010002	BOLT		6	
2	TB604.312-04	WASHER		6	
3	TB554.312-01	FRONT BRACKET		1	

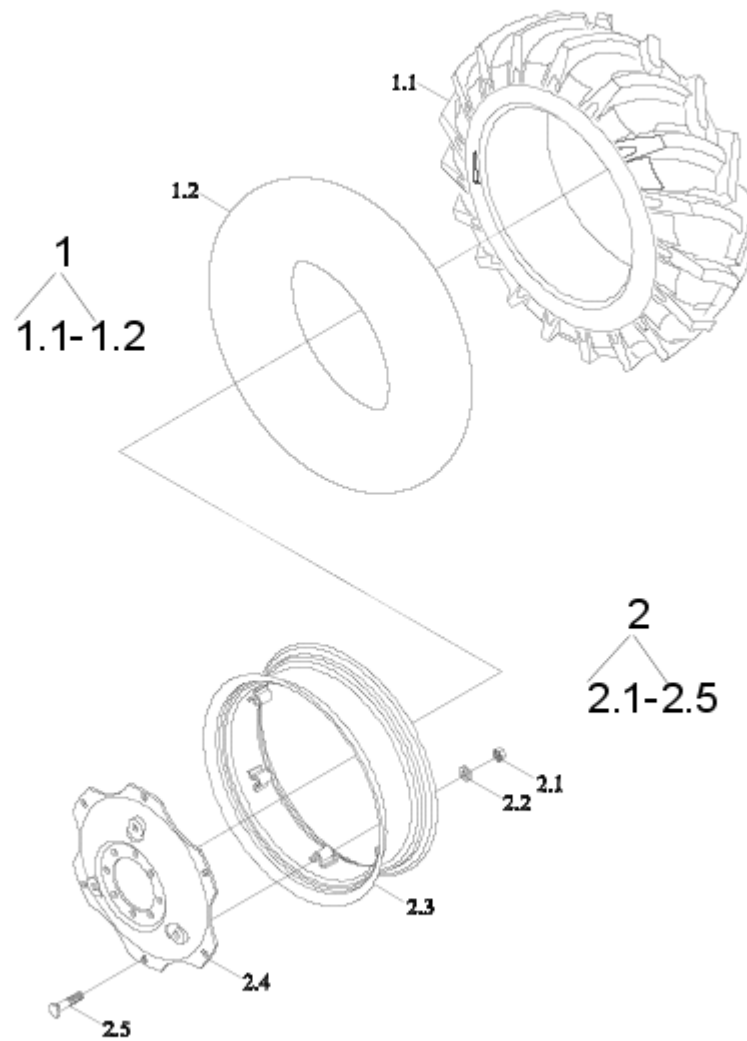
FT404. 32F. 001 FRONT DRIVING WHEEL ASSEMBLY



FT404.32F.001 FRONT DRIVING WHEEL ASSEMBLY

序号	零件图号	零件名称	版本	数量	备注
	FT404.32F.001	前驱动轮总成		1	
1	GBT2979-8.3-20-6PR-R	外胎		1	
2	GBT2979-8.3-20-R	内胎		1	
3	FT404.32F.011	轮辋焊合		1	

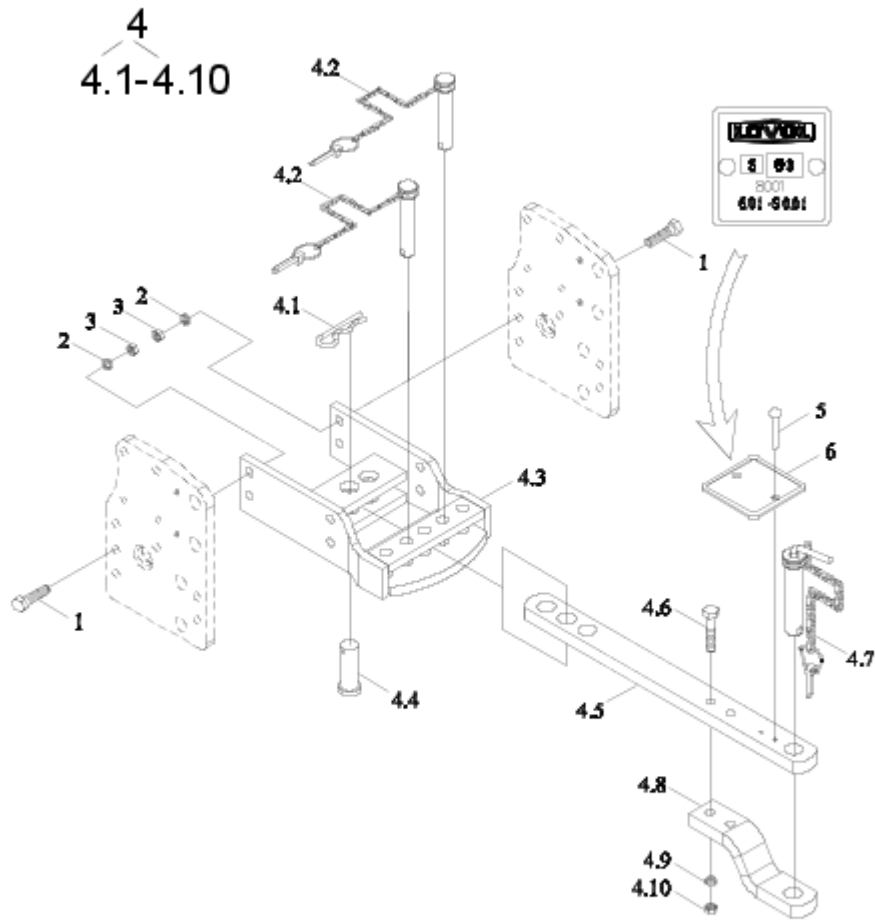
FT404. 34F. 001 REAR DRIVING WHEEL ASSEMBLY



FT404. 34F. 001 REAR DRIVING WHEEL ASSEMBLY

序号	零件图号	零件名称	版本	数量	备注
	FT404.34F.001	后驱动轮总成		1	
1	FT404.34.011	内外胎总成14.9-24		1	
1.1	GBT2979-14.9-24-6PR-R	拖拉机驱动轮普通断面斜交结构外胎		1	
1.2	GBT2979-14.9-24-R	拖拉机驱动轮内胎		1	
2	FT404.34F.011	轮辋辐板总成		1	

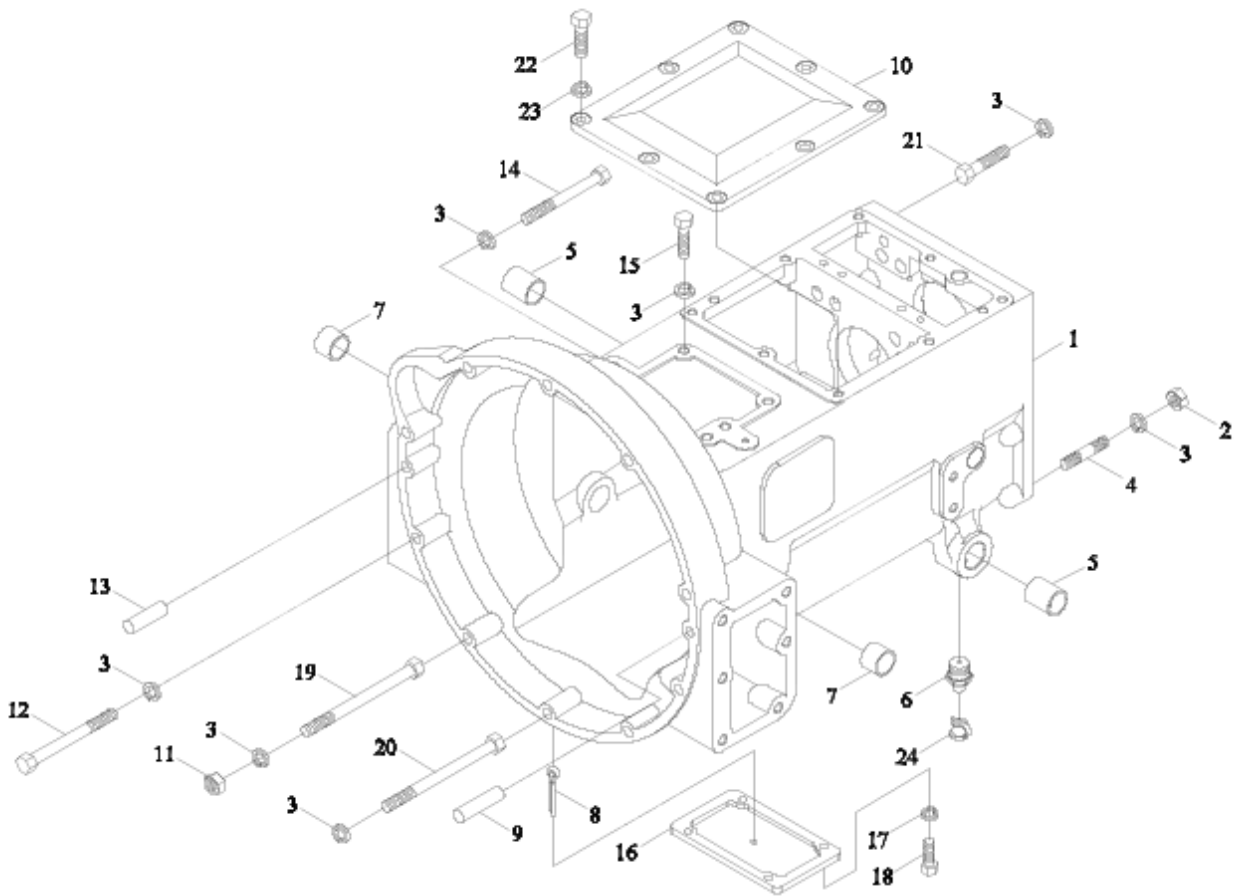
TB400. 35C TOWING MECHANISM INSTALLATION ASSEMBLY



TB400. 35C TOWING MECHANISM INSTALLATION ASSEMBLY

No.	Part No.	Description	Version	QTY.	Remark
	TB400.35C	TOWING MECHANISM INSTALLATION ASSEMBLY		1	
1	GBT5783-M16X60-8.8-A3L	HEXAGON BOLT		8	
2	GBT93-16-A0P	STANDARD SPRING WASHER		8	
3	GBT6170-M16-8-A3L	HEXAGON NUT, TYPE-1		8	
4	TB400.35C.1	TRACTION DEVICE ASSEMBLY		1	
4.1	FT65.35.103	SPRING LOCK PIN		1	
4.2	TB400.35.1.1	LIMITING PIN AND LOCK PIN ASSEMBLY		2	
4.3	TB400.35C.1.1	TOWING BRACKET WELDMENT		1	
4.4	FT300.35A.103	CONNECTING PIN		1	
4.5	TB400.35C.1-01	SWING ROD		1	
4.6	TB400.35.1-03	BOLT M16X75		2	
4.7	TB400.35.1.2	TOWING PIN AND LOCK PIN ASSEMBLY		1	
4.8	TB400.35.1-02	CONNECTING SWING ROD		1	
4.9	GBT93-16-A0P(2)	STANDARD SPRING WASHER		2	
4.10	GBT6170-M16-8-A3L(2)	HEXAGON NUT, TYPE-1		2	
5	GBT827-3X8-A0P	LABEL RIVET		2	
6	TB400.35-01	TOWING SIGN PLATE		1	

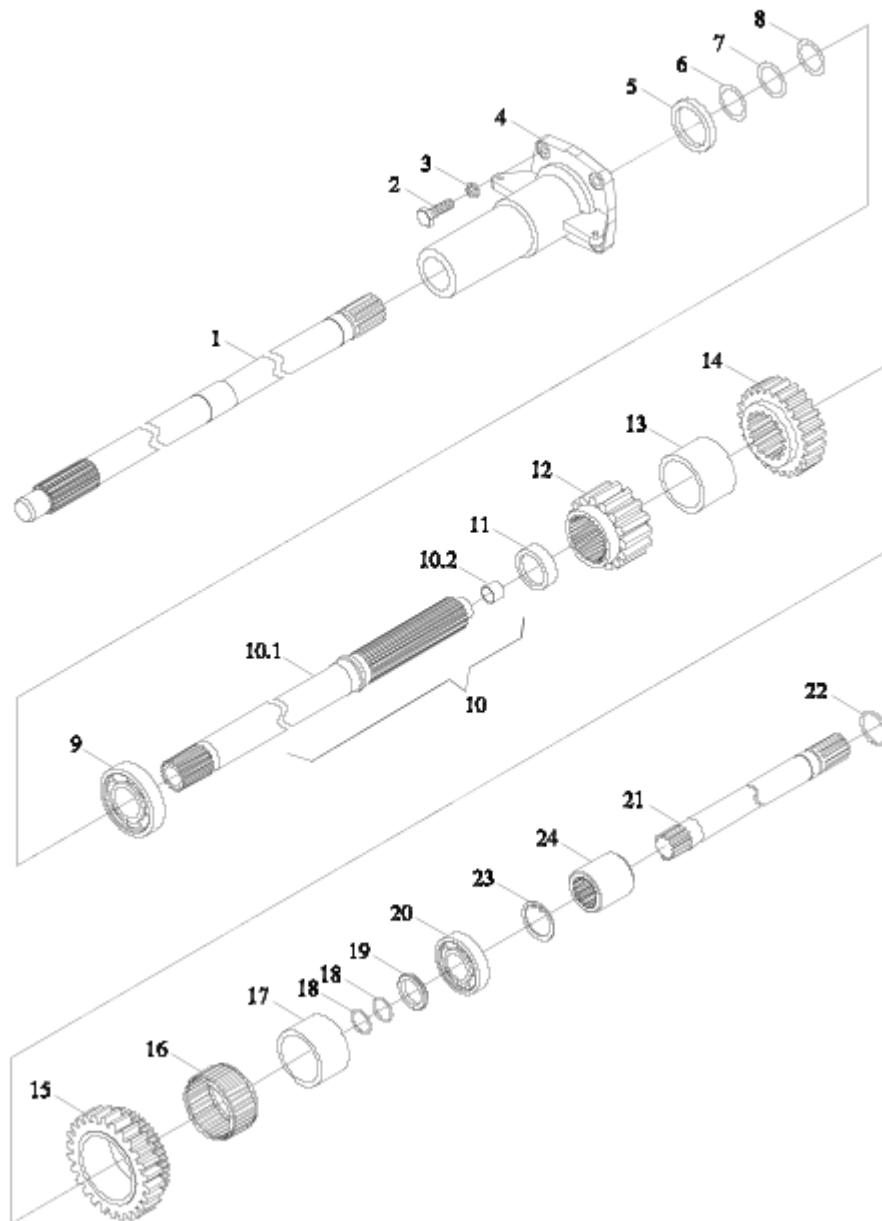
TB604. 371 GEARBOX HOUSING ASSEMBLY



TB604. 371 GEARBOX HOUSING ASSEMBLY

No.	Part No.	Description	Version	QTY.	Remark
	TB604.371	GEARBOX HOUSING ASSEMBLY		1	
1	TB604.371-01	GEARBOX HOUSING		1	
2	GBT6171-M12X1.5-8-A3L	NUT		10	
3	GBT93-12-A0P	WASHER		24	
4	GBT899-AM12-M12X1.5X35-8.8-A3L	STUD		10	
5	FT300.37.158	PEDAL SHAFT BUSH		2	
6	JBT7940.1-M10X1	OIL CUP		2	
7	FT300.37.159	RELEASE FORK SHAFT BUSH		2	
8	GBT91-5X32-A0P	SPLIT PIN		1	
9	GBT119.1-12m6X30-A0P	PIN		3	
10	TB604.371-02	GEARBOX UPPER COVER		1	
11	GBT6170-M12-8-A3L	NUT		3	
12	GBT5782-M12X110-8.8-A2L	BOLT		1	
13	GBT119.1-12m6X22-A0P	PIN		1	
14	GBT5782-M12X70-8.8-A2L	BOLT		2	
15	GBT5783-M12X35-8.8-A3L	BOLT		4	
16	TB400.371E-03	LOWER PLUG COVER		1	
17	GBT93-10-A0P	WASHER		4	
18	GBT5783-M10X25-8.8-A3L	BOLT		4	
19	TB550.371-01-M12X160	BOLT		3	
20	TB550.371-02-M12X125	BOLT		1	
21	GBT5785-M12X1.5X55-8.8-A3L	HEXAGON BOLT		2	
22	GBT5783-M8X20-8.8-A2L	HEXAGON BOLT		8	
23	GBT93-8-A0P	STANDARD SPRING WASHER		8	
24	TD800.311C.1-01	DUSTPROOF CAP OF OIL CUP		2	

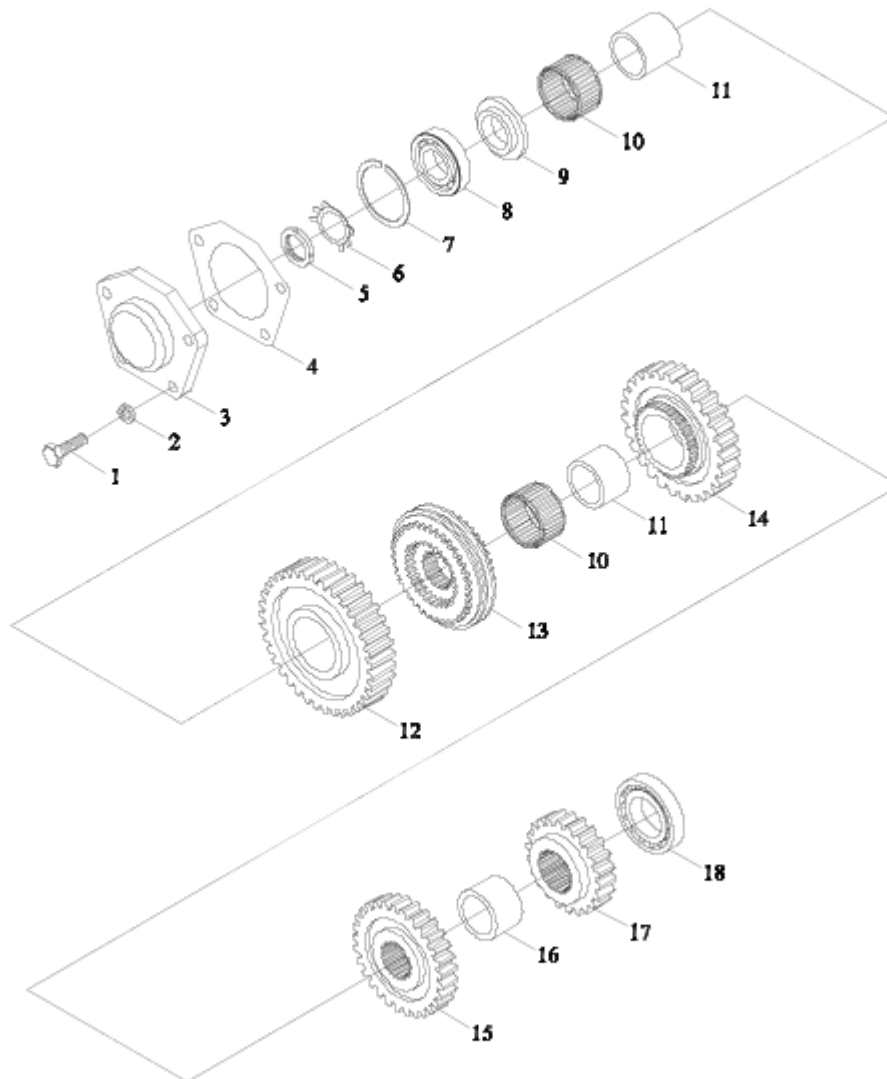
TB604. 372T MAIN GEARSHIFT ASSEMBLY-1



TB604. 372T MAIN GEARSHIFT ASSEMBLY-1

No.	Part No.	Description	Version	QTY.	Remark
	TB604.372T	MAIN GEARSHIFT ASSEMBLY		1	
1	FT400.37B.201	AUXILIARY CLUTCH SHAFT		1	
2	GBT5783-M8X25-8.8-A2L	HEXAGON BOLT		4	
3	GBT93-8-A0P	WASHER		4	
4	FT300.37B.124	SHAFT I BEARING COVER		1	
5	GBT9877.1-FB40X62X8D	SEAL RING		1	
6	TB604.372T-12	I SHAFT ADJUSTING WASHER		999	
7	TB604.372T-13	I SHAFT ADJUSTING WASHER		999	
8	TB604.372T-14	I SHAFT ADJUSTING WASHER		999	
9	GBT276-6208	BEARING		1	
10	TB604.372T.1	SHAFT I UNIT		1	
10.1	TB604.372T.1-01	SHAFT I		1	
10.2	FT300.37.170	BUSH		1	
11	TB604.372T-15	I GEAR SPACER		1	
12	TB604.372T-01	I DRIVING GEAR		1	
13	TB604.372T-02	I-II GEAR SPACER		1	
14	TB604.372T-03	II DRIVING GEAR		1	
15	TB604.372T-05	III DRIVING GEAR		1	
16	TB604.372T-17	ROLLER NEEDLE BEARING K47X52X28		1	
17	TB604.372T-16	III GEAR BUSH		1	
18	GBT3452.1-23.6X1.80G	O-RING		2	
19	TB604.372T-04	RETAINER RING		1	
20	GBT276-6007	BEARING		1	
21	FT300.37J.137	PTO CONNECTING SHAFT		1	
22	GBT895.2-24	RETAINER RING		1	
23	GBT893.1-21	CIRCLIPS FOR HOLE		1	
24	FT300.37.136	CONNECTING SLEEVE		1	

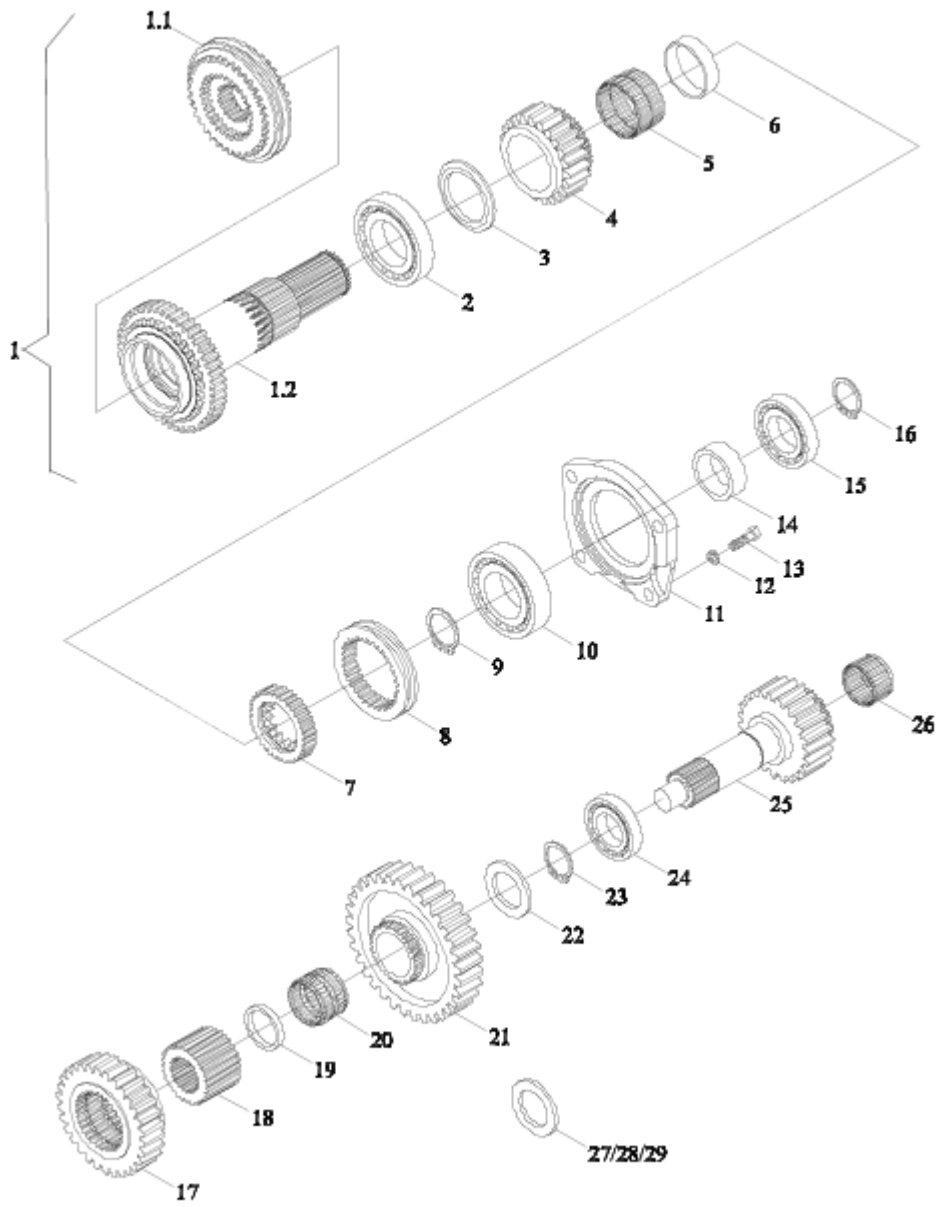
TB604. 372T MAIN GEARSHIFT ASSEMBLY-2



TB604. 372T MAIN GEARSHIFT ASSEMBLY-2

No.	Part No.	Description	Version	QTY.	Remark
	TB604.372T(2)	MAIN GEARSHIFT ASSEMBLY		1	
1	GBT5783-M8X25-8.8-A2L(2)	HEXAGON BOLT		4	
2	GBT93-8-A0P(2)	WASHER		4	
3	FT300.37.120	SHAFT II BEARING COVER		1	
4	FT300.37.119	SHAFT II BEARING COVER PAPER GASKET		1	
5	GBT812-M24X1.5	NUT		1	
6	GBT858-24	WASHER		1	
7	GBT305-72-78.6	THRUST RING		1	
8	GBT276-6306N	BEARING		1	
9	TB604.372T-11	SHAFT II END RETAINER RING		1	
10	TB550.372-05	ROLLER NEEDLE BEARING K43X49X30		2	
11	FT300.37M.114	I-II GEAR BUSH		2	
12	TB604.372T-10	I DRIVEN GEAR		1	
13	TE354.361T.3	SYNCHRONIZER ASSEMBLY		1	
14	TB604.372T-09	II DRIVEN GEAR		1	
15	TB604.372T-07	III DRIVEN GEAR		1	
16	FT300.37.110	III-IV GEAR SPACER		1	
17	TB604.372T-06	IV DRIVEN GEAR		1	
18	GBT283-NUP208E	BEARING		1	

TB604. 373T AUXILIARY GEARSHIFT ASSEMBLY



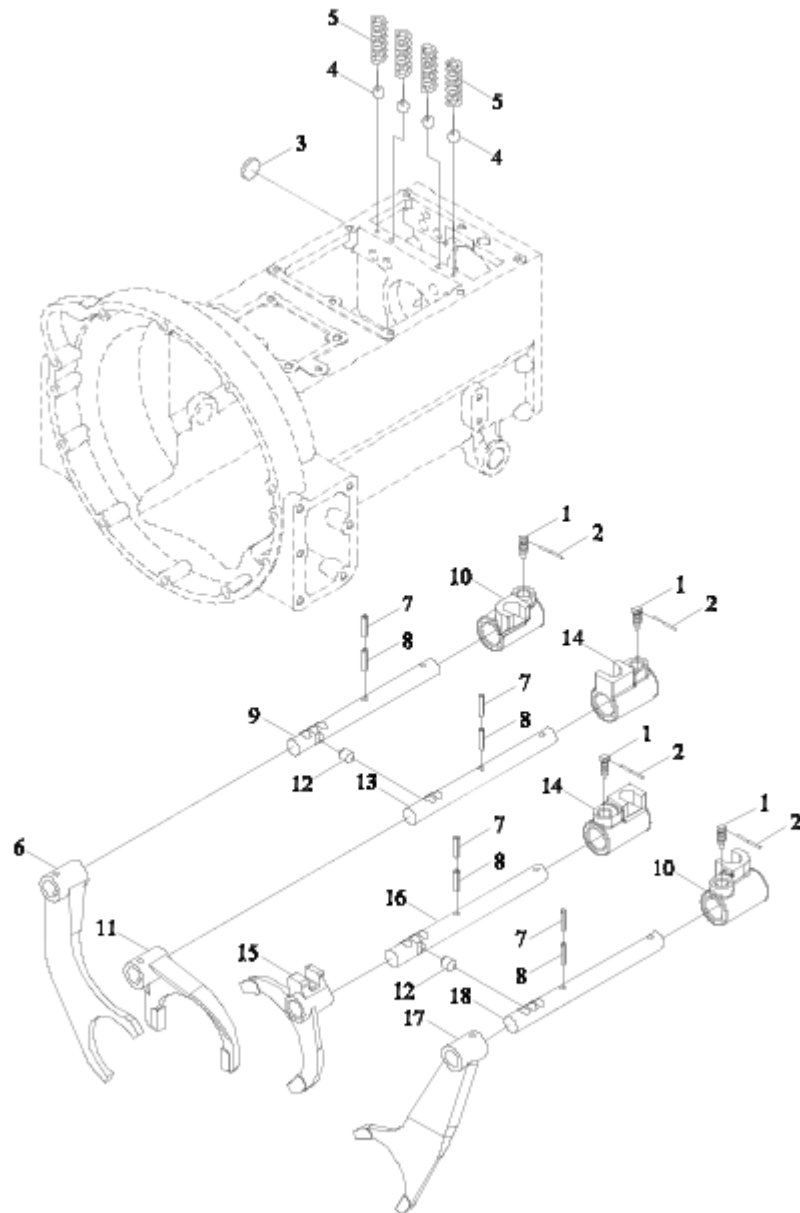
TB604. 373T AUXILIARY GEARSHIFT ASSEMBLY

No.	Part No.	Description	Ver- sion	QTY.	Remark
	TB604.373T	AUXILIARY GEARSHIFT ASSEMBLY		1	
1	TB604.373T.4	SYNCHRONIZER ASSEMBLY		1	
1.1	TB604.372T.3	SYNCHRONIZER ASSEMBLY		1	
1.2	TB604.373T.3	CONE RING WELDMENT		1	
2	GBT283-NUP210E	BEARING		1	
3	TB550.373-02	RETAINER RING		1	
4	TB550.373-03b	MIDDLE GEAR DRIVING GEAR		1	
5	TB550.373-12	ROLLING BEARING KK50X55X30		1	
6	TB550.373-04b	SPACER BUSH		1	
7	TB550.373-05b	MIDDLE GEAR MESHING GEAR SEAT		1	
8	TB550.373-06a	MIDDLE GEAR SHIFT COLLAR		1	
9	GBT894.1-50	RETAINER RING		1	
10	GBT283-NUP308E	BEARING		1	
11	FT300.37.139	AUXILIARY GEARSHIFT BEARING COVER		1	
12	GBT93-10-A0P	WASHER		4	
13	GBT5783-M10X30-8.8-A3L	HEXAGON BOLT		4	
14	FT300.37J.180	SPACER BUSH		1	
15	GBT283-NF208	BEARING		1	
16	GBT894.1-40	RETAINER RING		1	
17	TB550.373-08	MIDDLE GEAR DRIVEN GEAR		1	
18	TB550.373-09	REVERSE GEAR MESHING SEAT		1	
19	FT300.37.111	SPACER BUSH		1	
20	QLWZB120-K35X43X34ZW	ROLLER NEEDLE BEARING		1	
21	FT450.37.103	AUXILIARY GEARSHIFT DRIVEN GEAR		1	
22	TB550.373-11a	LIMITING RETAINER RING		1	
23	GBT894.1-35	RETAINER RING		1	
24	GBT283-NUP307E	BEARING		1	
25	TB550.373-16	AUXILIARY GEARSHIFT DRIVEN SHAFT		1	

TB604. 373T AUXILIARY GEARSHIFT ASSEMBLY (cont'd.)

No.	Part No.	Description	Version	QTY.	Remark
26	GBT20056-K25X31X20	NEEDLE AND CARRIER COMBINATION		1	
27	TB550.373-15	LIMITING RETAINER RING		1	
28	TB550.373-13	LIMITING RETAINER RING		1	
29	TB550.373-14	LIMITING RETAINER RING		1	

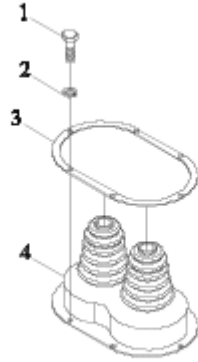
TS04374010000 GEARBOX CONTROL MECHANISM ASSEMBLY-1



TS04374010000 GEARBOX CONTROL MECHANISM ASSEMBLY-1

No.	Part No.	Description	Version	QTY.	Remark
	TS04374010000	GEARBOX CONTROL MECHANISM ASSEMBLY		1	
1	TB504.374-01	LOCKING SCREW		4	
2	TF1004.374-02	LOW CARBON STEEL WIRE		2	
3	Q72214	PLUG PIECE		2	
4	GBT308-8-G100-b	STEEL BALL		4	
5	FT300.37.135	FORK SHAFT LOCATING SPRING		4	
6	TB550.374-03a	HIGH AND LOW GEAR FORK		1	
7	GBT879.1-3X24	SPRING COLUMN PIN		4	
8	GBT879.1-5X24	SPRING COLUMN PIN		4	
9	TB604.374B-03	HIGH AND LOW GEAR FORK SHAFT		1	
10	TB604.374B-05	I-II GEAR FORK HEAD		2	
11	TB550.374-04a	MIDDLE GEAR FORK		1	
12	FT300.37.151	MUTUAL PIN		2	
13	TB604.374B-04	MIDDLE GEAR FORK SHAFT		1	
14	TB604.374B-06	III-IV FORK HEAD		2	
15	TB604.374A-01	III-IV FORK		1	
16	TB604.374B-02	III-IV FORK SHAFT		1	
17	TB604.374A-04	I-II GEAR FORK		1	
18	TB604.374B-01	I-II GEAR FORK SHAFT		1	

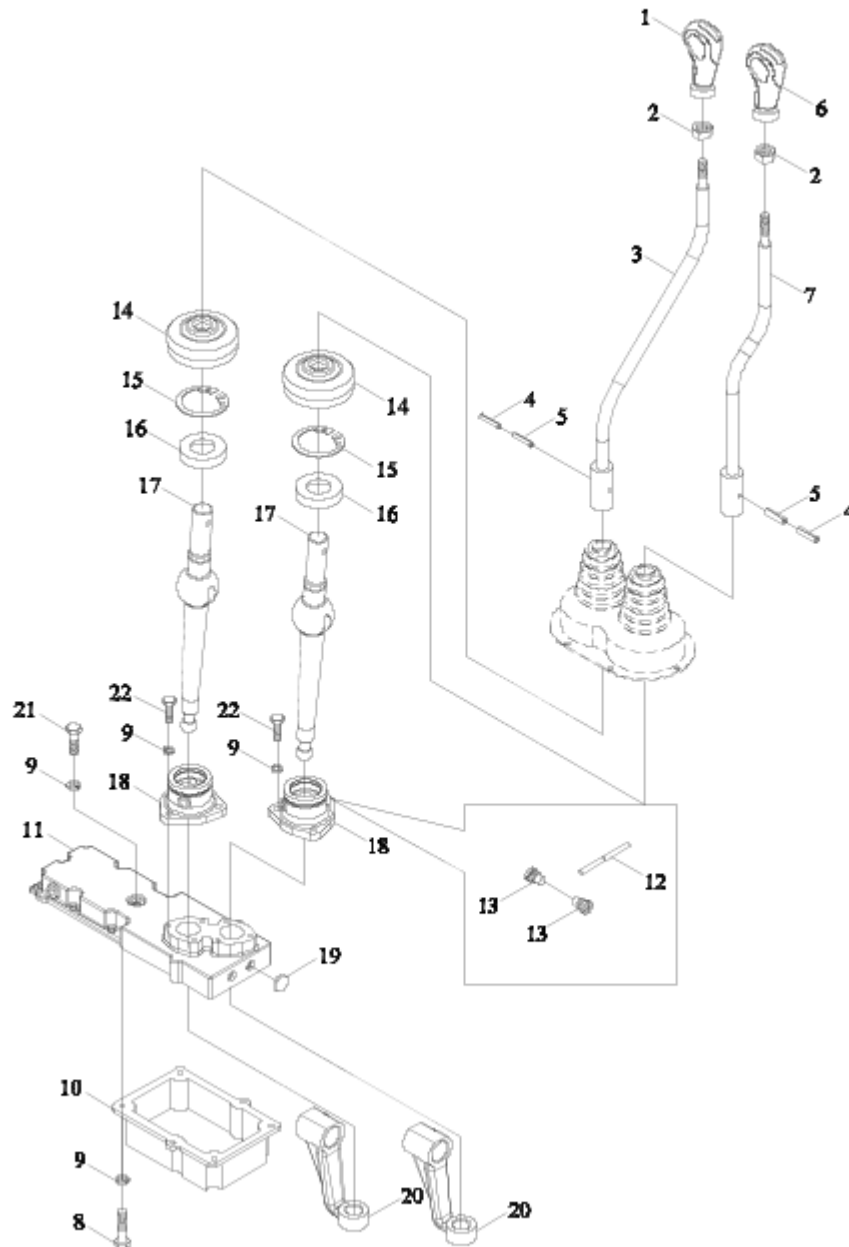
TS04374010000 GEARBOX CONTROL MECHANISM ASSEMBLY-2



TS04374010000 GEARBOX CONTROL MECHANISM ASSEMBLY-2

No.	Part No.	Description	Version	QTY.	Remark
	TS04374010000(2)	GEARBOX CONTROL MECHANISM ASSEMBLY		1	
1	GBT5783-M6X20-8.8-A2L	HEXAGON BOLT		6	
2	GBT93-6-A0P	STANDARD SPRING WASHER		6	
3	TB604.374B-09	SLEEVE PRESSURE PLATE		1	
4	TB604.374B-08	GEARLEVER SLEEVE		1	

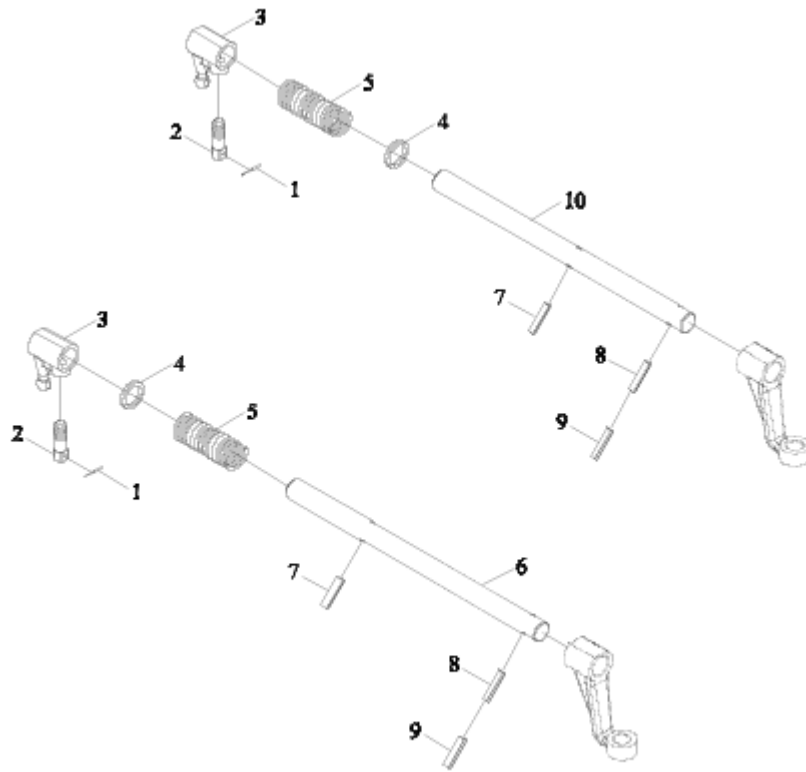
TS04374010000 GEARBOX CONTROL MECHANISM ASSEMBLY-3



TS04374010000 GEARBOX CONTROL MECHANISM ASSEMBLY-3

No.	Part No.	Description	Version	QTY.	Remark
	TS04374010000(3)	GEARBOX CONTROL MECHANISM ASSEMBLY		1	
	TS04374010000(3)	GEARBOX CONTROL MECHANISM ASSEMBLY		1	
1	TS04374010001	MAIN GEARSHIFT CONTROL HANDLE		1	
2	GBT6172.1-M10-04-A3L	HEXAGON THIN NUT		2	
3	TB604.374B.1.1	MAIN GEARLEVER WELDMENT		1	
4	GBT879.1-3X28	SPRING COLUMN PIN		2	
5	GBT879.1-5X28	SPRING COLUMN PIN		2	
6	TS04374010002	AUXILIARY GEARSHIFT CONTROL HANDLE		1	
7	TS04374010007	ASSISTANT GEARLEVER WELDMENT		1	
8	GBT5783-M8X20-10.9-A2L	HEXAGON BOLT		6	
9	GBT93-8-A0P	STANDARD SPRING WASHER		20	
10	TB604.374B.1-02	SIDE CONTROL LOWER COVER		1	
11	TB604.374B.1-01	SIDE CONTROL UPPER COVER		1	
12	TF1004.374-02(2)	LOW CARBON STEEL WIRE		4	
13	FT800A.37.326	GEARLEVER LOCATING PIN		4	
14	FT300.37.166a	GEARLEVER DUSTPROOF BONNET		2	
15	GBT893.1-40	CIRCLIPS FOR HOLE		2	
16	FT800A.37.305	NYLON SEAT		2	
17	TB604.374B.1-09	LOWER CONTROL ROD		2	
18	TB504.374-06	AUXILIARY GEARLEVER SEAT		2	
19	Q72220	PLUG PIECE		2	
20	TB604.374B.1-06	FORK HEAD		2	
21	GBT5782-M8X55-8.8-A2L	HEXAGON BOLT		1	
22	GBT5783-M8X25-8.8-A2L	HEXAGON BOLT		13	

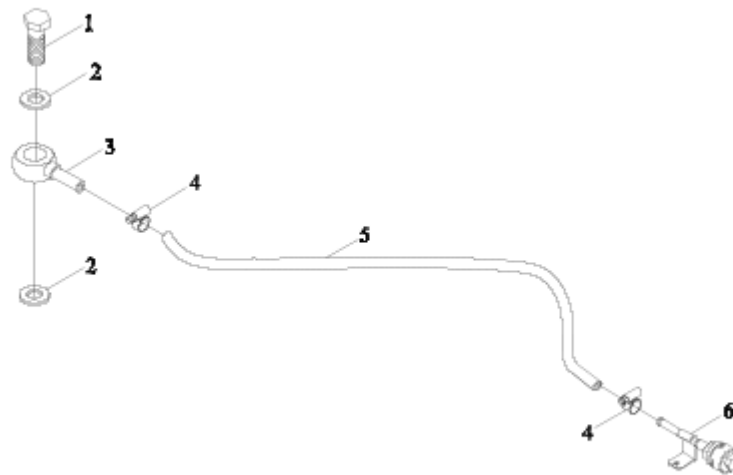
TS04374010000 GEARBOX CONTROL MECHANISM ASSEMBLY-4



TS04374010000 GEARBOX CONTROL MECHANISM ASSEMBLY-4

No.	Part No.	Description	Version	QTY.	Remark
	TS04374010000(4)	GEARBOX CONTROL MECHANISM ASSEMBLY		1	
	TS04374010000(4)	GEARBOX CONTROL MECHANISM ASSEMBLY		1	
1	TF1004.374-02(3)	LOW CARBON STEEL WIRE		2	
2	TB504.374-01(2)	LOCKING SCREW		2	
3	TB604.374B.1-05	SIDE CONTROL INNER FORK HEAD		2	
4	TB604.374B.1-08	SPRING WASHER		2	
5	TB604.374B.1-07	LOCATING SPRING		2	
6	TB604.374B.1-03	MAIN SPEED TRANSMISSION ROD		1	
7	GBT879.1-6X24	SPRING COLUMN PIN		2	
8	GBT879.1-3.5X28	SPRING COLUMN PIN		2	
9	GBT879.1-6X28	SPRING COLUMN PIN		1	
10	TB604.374B.1-04	AUXILIARY GEAR ROD		1	

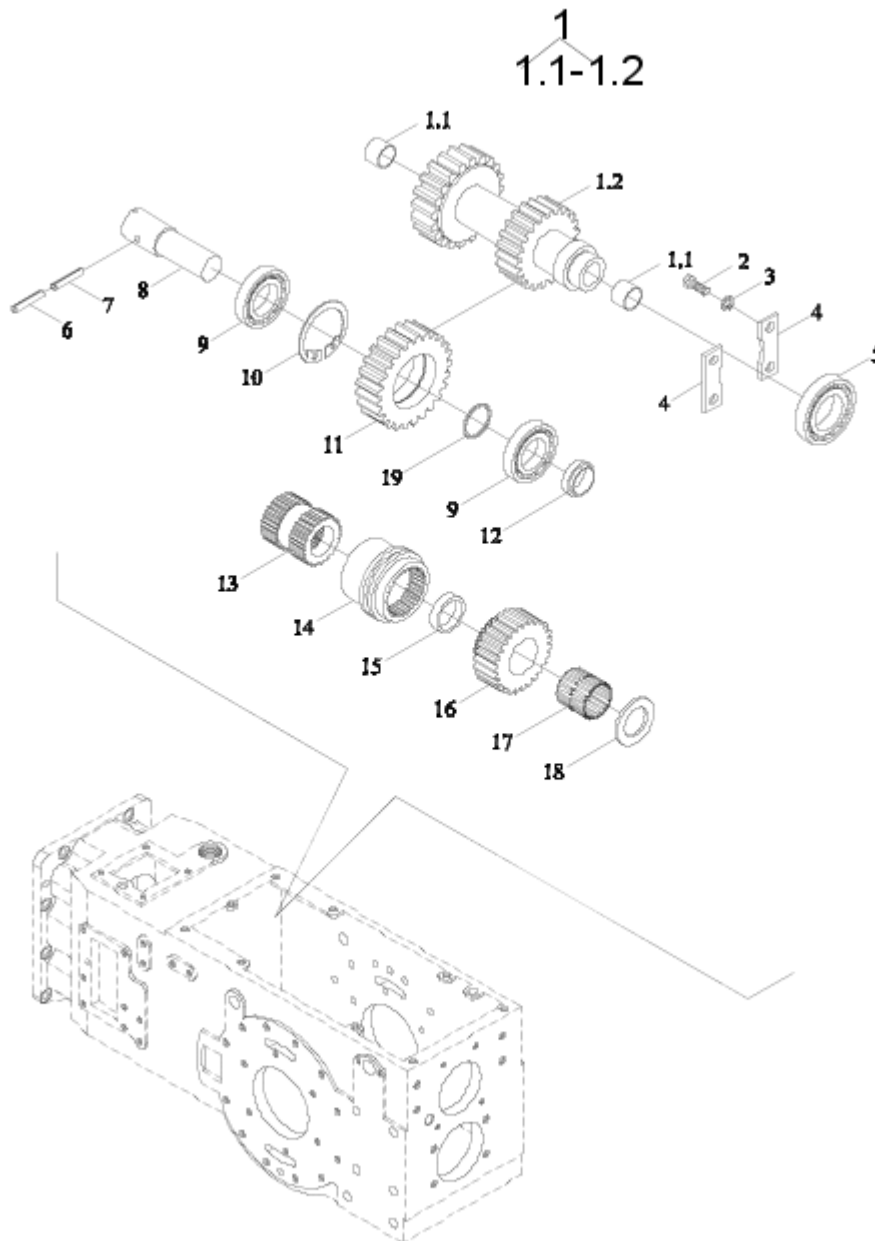
TB604. 375B BREATH ASSEMBLY



TB604. 375B BREATH ASSEMBLY

No.	Part No.	Description	Version	QTY.	Remark
	TB604.375B	BREATH ASSEMBLY		1	
1	FT800.40.172	HOLLOW BOLT		1	
2	JB982-14	COMBINED SEAL GASKET		2	
3	FT65.37.186	PIPE JOINT		1	
4	Q67512	A-TYPE WORM TRANSMISSION HOSE CLAMP		2	
5	TS04374010010	BREATH HOSE		1	
6	TB604.375.1	BREATH ASSEMBLY		1	

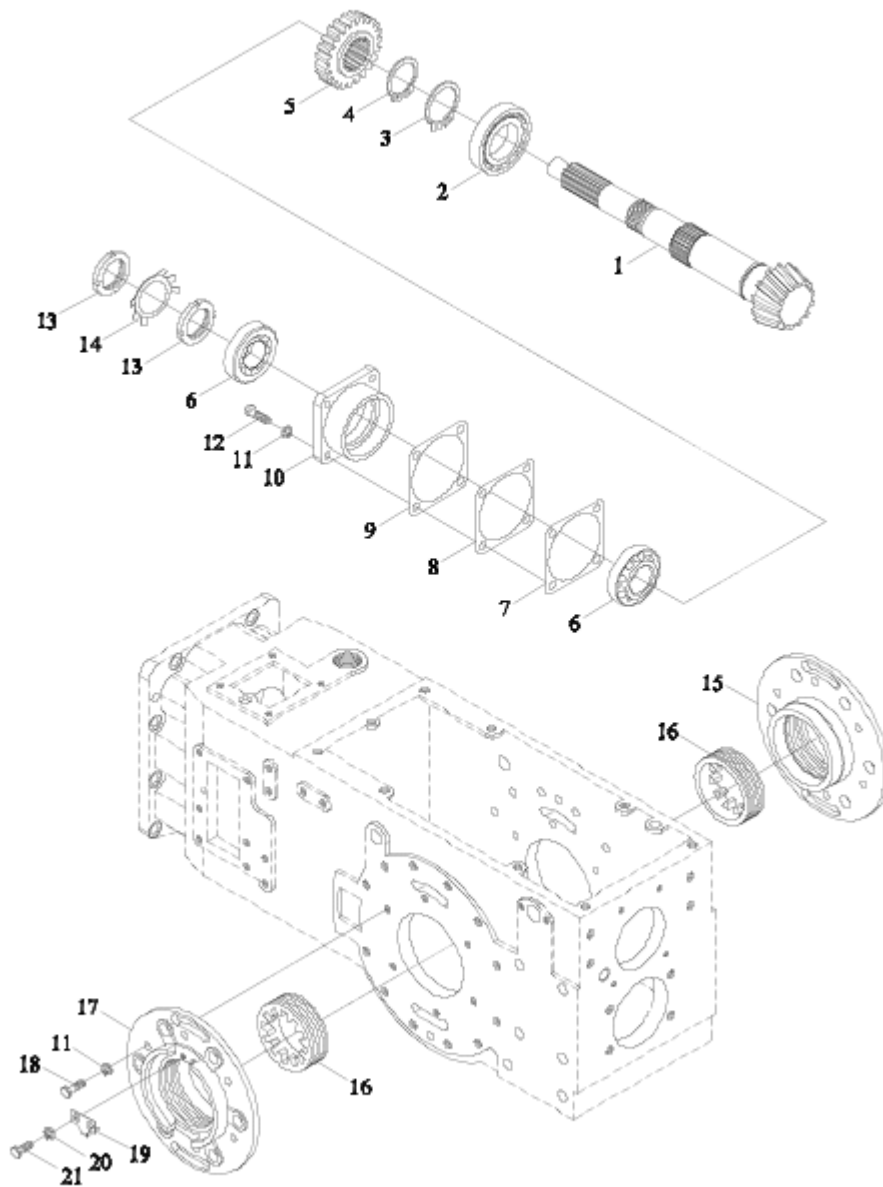
TB554. 381 SHUTTLE SHIFT ASSEMBLY



TB554. 381 SHUTTLE SHIFT ASSEMBLY

No.	Part No.	Description	Version	QTY.	Remark
	TB554.381	SHUTTLE SHIFT ASSEMBLY		1	
1	TB450.38J.1	REVERSE MIDDLE SHAFT ASSEMBLY		1	
2	GBT5783-M10X25-8.8-A3L	BOLT		4	
3	GBT93-10-A0P	WASHER		4	
4	FT300.38J.204	BEARING PRESSURE PLATE		2	
5	GBT283-NJ208E	BEARING		1	
6	GBT879.1-5X30	PIN		1	
7	GBT879.1-8X30	PIN		1	
8	TB450.38J-07	REVERSE IDLER GEAR SHAFT		1	
9	GBT283-NJ206E	BEARING		2	
10	GBT893.1-62	RETAINER RING		1	
11	TB450.38J-06	REVERSE IDLER GEAR		1	
12	TB450.38J-08	REVERSE IDLER GEAR SHAFT SPACER SLEEVE		1	
13	TB450.38J-01	MESHING SEAT		1	
14	TB450.38J-02	SHIFT COLLAR		1	
15	TB450.38J-03	SPACER BUSH		1	
16	TB450.38J-04	REVERSE DRIVEN GEAR		1	
17	QSFZB019-K35X43X34ZW	ROLLER NEEDLE BEARING		1	
18	FT300.38J.202	ADJUSTING WASHER		1	
19	TB554.381-02	GASKET		1	

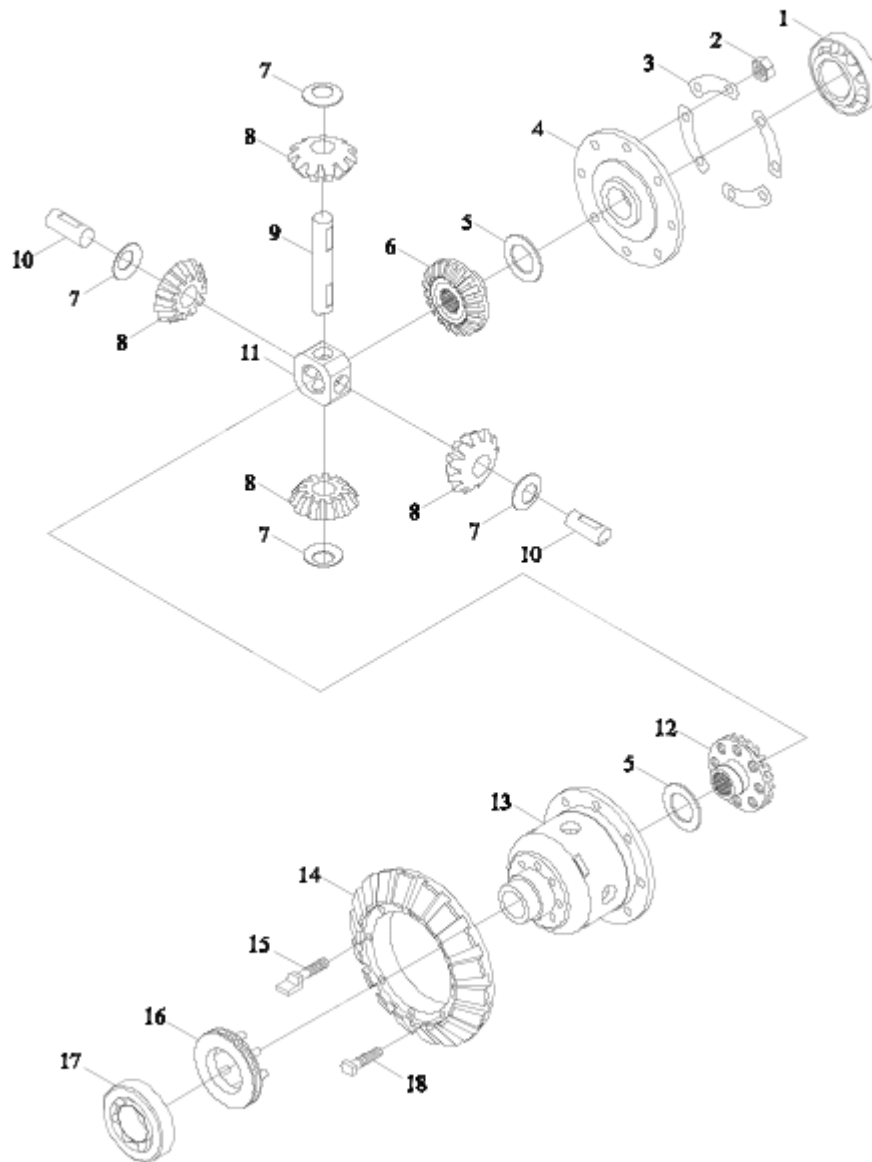
TB504. 382 REAR AXLE CENTRAL TRANSMISSION ASSEMBLY-1



TB504. 382 REAR AXLE CENTRAL TRANSMISSION ASSEMBLY-1

No.	Part No.	Description	Version	QTY.	Remark
	TB504.382	REAR AXLE CENTRAL TRANSMISSION ASSEMBLY		1	
1	TB450.38J-05	SMALL TAPER GEAR SHAFT		1	
2	GBT283-NUP2210E	BEARING		1	
3	GBT894.1-50	RETAINER RING		1	
4	GBT894.1-48	RETAINER RING		1	
5	FT404.38G.116	FRONT DRIVE OUTPUT GEAR		1	
6	GBT297-32208	BEARING		2	
7	FT300.38.118	TAPER GEAR SHAFT ADJUSTING GASKET		999	
8	FT300.38.119	TAPER GEAR SHAFT ADJUSTING GASKET		999	
9	FT300.38.120	TAPER GEAR SHAFT ADJUSTING GASKET		999	
10	FT300.38.117	BEARING SEAT		1	
11	GBT93-10-A0P	WASHER		16	
12	GBT5783-M10X30-8.8-A3L	BOLT		4	
13	GBT812-M39X1.5	NUT		2	
14	GBT858-39	WASHER		1	
15	FT300.38.177	RIGHT DIFFERENTIAL BEARING SEAT		1	
16	FT300.38.151	ADJUSTING NUT		2	
17	FT300.38.142	LEFT DIFFERENTIAL BEARING SEAT		1	
18	GBT5783-M10X25-8.8-A3L	BOLT		12	
19	FT300.38.161	LOCK WASHER		2	
20	GBT93-8-A0P	WASHER		4	
21	TB554.382-01	BOLT		4	

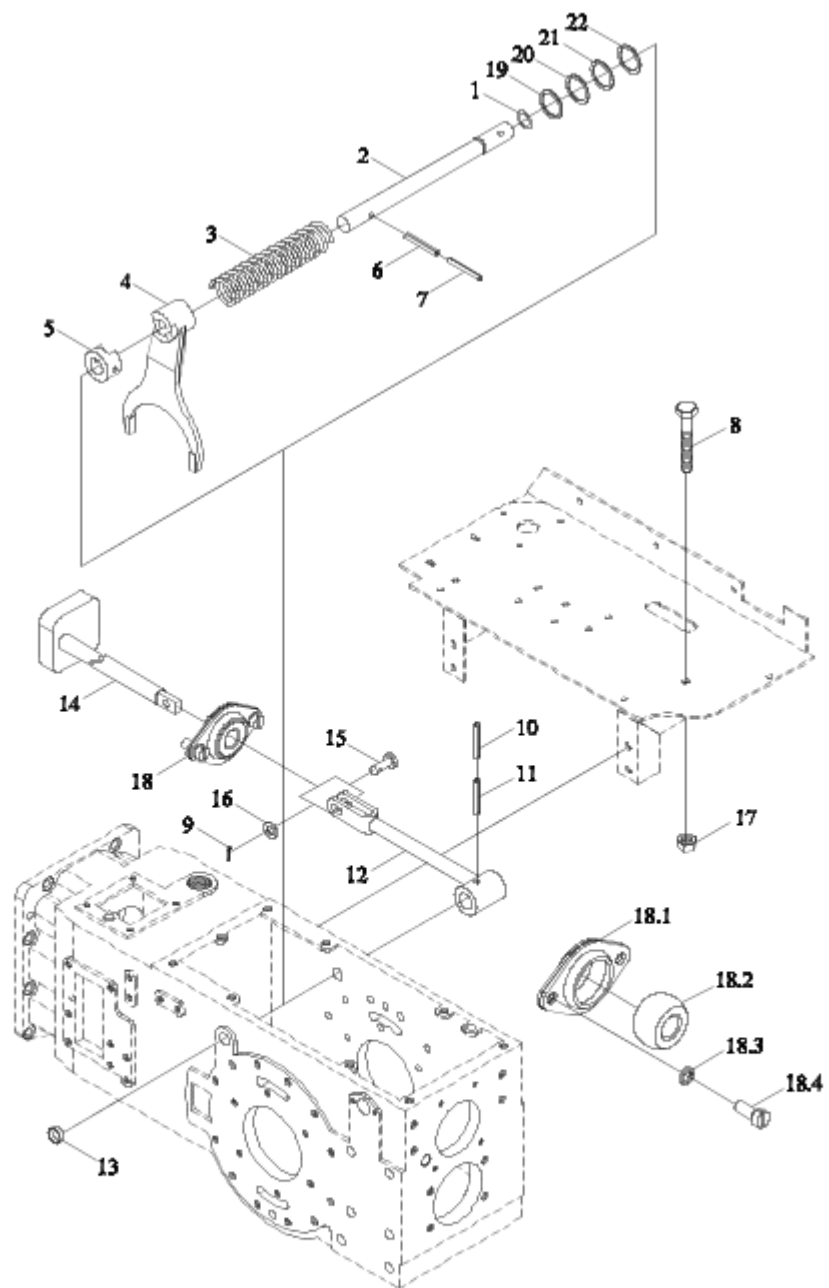
TB504. 382 REAR AXLE CENTRAL TRANSMISSION ASSEMBLY-2



TB504. 382 REAR AXLE CENTRAL TRANSMISSION ASSEMBLY-2

No.	Part No.	Description	Version	QTY.	Remark
	FT300.38.012	DIFFERENTIAL ASSEMBLY		1	
1	GBT297-32013	BEARING		1	
2	GBT6170-M12-8-A3L	NUT		8	
3	FT300.38.152	LOCKING WASHER		4	
4	FT300.38.181	DIFFERENTIAL COVER		1	
5	FT300.38.147	HALF SHAFT GEAR WASHER		2	
6	FT300.38.144	RIGHT HALF SHAFT GEAR		1	
7	FT300.38.148	PLANET GEAR WASHER		4	
8	FT300.38.145	PLANET GEAR		4	
9	FT300.38.182	LONG PLANETARY GEAR SHAFT		1	
10	FT300.38.183	SHORT PLANETARY GEAR SHAFT		2	
11	FT300.38.184	CENTRAL RING		1	
12	FT300.38.143	LEFT HALF SHAFT GEAR		1	
13	FT300.38.180	DIFFERENTIAL HOUSING		1	
14	FT300.38.141	BIG TAPER GEAR		1	
15	FT300.38.185	PLANET GEAR SHAFT THRUST BOLT		4	
16	FT300.38.019	DIFFERENTIAL LOCK ASSEMBLY		1	
17	GBT297-30211	BEARING		1	
18	FT300.38.186	FIXING BOLT		4	

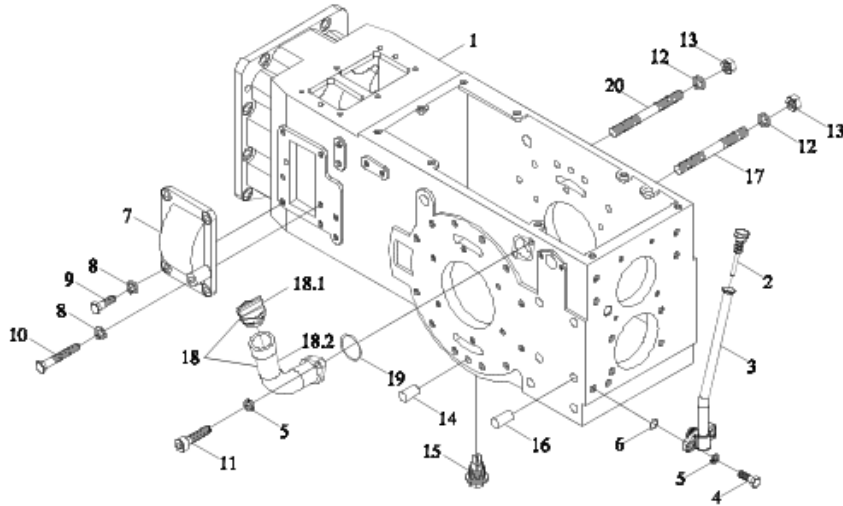
TS0438301000 DIFFERENTIAL LOCK CONTROL MECHANISM ASSEMBLY



TS04383010000 DIFFERENTIAL LOCK CONTROL MECHANISM ASSEMBLY

No.	Part No.	Description	Version	QTY.	Remark
	TS04383010000	DIFFERENTIAL LOCK CONTROL MECHANISM ASSEMBLY		1	
1	GBT3452.1-15.0X2.65G	RUBBER O-SEAL RING		1	
2	FT300.38.158a	DIFFERENTIAL LOCK FORK SHAFT		1	
3	FT300.38.160	DIFFERENTIAL LOCK RETURN SPRING		1	
4	FT300.38.159a	DIFFERENTIAL LOCK FORK		1	
5	FT300.38.190	DIFFERENTIAL LOCK DIAL BLOCK		1	
6	GBT879.1-6X40	SPRING COLUMN PIN		1	
7	GBT879.2-3.5X40	SPRING COLUMN PIN		1	
8	GBT5781-M8X40-4.8-A2L	HEXAGON BOLT		1	
9	GBT91-2X14-A0P	SPLIT PIN		1	
10	GBT879.1-6X35	SPRING COLUMN PIN		1	
11	GBT879.2-3.5X35	SPRING COLUMN PIN		1	
12	TS04383010003	ROCKER WELDMENT		1	
13	Q72220	PLUG PIECE		1	
14	TS04383010001	DIFFERENTIAL LOCK PEDAL		1	
15	GBT882-B6X28	PIN SHAFT		1	
16	GBT97.1-6-A0P	FLAT WASHER		1	
17	GBT6170-M8-8-A2L	HEXAGON NUT, TYPE-1		1	
18	TG1204.435.4	SEAL LINER SEAT ASSEMBLY		1	
18.1	TG1204.435.2-01	SPHERICAL SHAFT LINING SEAT		1	
18.2	TG1204.435.2-02	SPHERICAL SHAFT LINING		1	
18.3	GBT93-6	STANDARD SPRING WASHER		1	
18.4	GBT818-M6X14-4.8-A2L	CROSS SCREW		1	
19	TB554.383-05	WASHER		999	
20	TB554.383-06	WASHER		999	
21	TB554.383-07	WASHER		999	
22	TB554.383-08	WASHER		999	

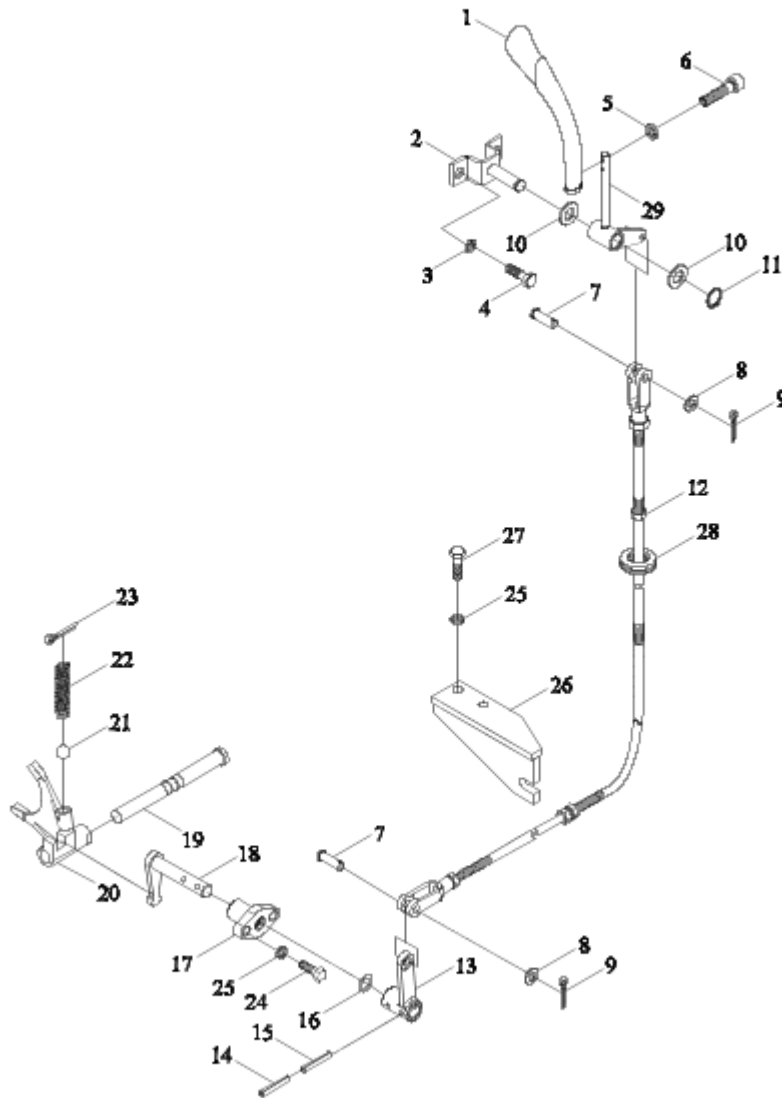
TC02384010000K REAR AXLE HOUSING ASSEMBLY



TC02384010000K REAR AXLE HOUSING ASSEMBLY

No.	Part No.	Description	Version	QTY.	Remark
	TC02384010000K	REAR AXLE HOUSING ASSEMBLY		1	
1	TB604.384-01	REAR AXLE HOUSING		1	
2	TB604.384.4	DIPSTICK ASSEMBLY		1	
3	TC02384010001K	OIL DIPSTICK PIPE WELDMENT		1	
4	GBT5783-M8X20-8.8-A2L	HEXAGON BOLT		2	
5	GBT93-8-A0P	STANDARD SPRING WASHER		2	
6	GBT3452.1-15.0X2.65G	RUBBER O-SEAL RING		1	
7	FT300.38J.206	REVERSE SIDE COVER		1	
8	GBT93-10-A0P	STANDARD SPRING WASHER		9	
9	GBT5783-M10X25-8.8-A3L	HEXAGON BOLT		5	
10	GBT5782-M10X60-8.8-A2L	HEXAGON BOLT		1	
11	GBT70.1-M8X20-8.8	INNER HEXAGON SCREW		2	
12	GBT93-12-A0P	STANDARD SPRING WASHER		24	
13	GBT6171-M12X1.25-10-A2L	HEXAGON NUT, TYPE-1		24	
14	GBT119.1-12m6X28-A0P	COLUMN PIN		2	
15	FT65.38.026	OIL PLUG ASSEMBLY		1	
16	TB554.384-02	PIN		4	
17	GB899-AM12-M12X1.25X150-10.9-A 2L	DOUBLE END STUDS		22	
18	TB604.384.3	FILLING CAP ASSEMBLY		1	
18.1	TB604.384.3.1	FILLING CAP WELDMENT ASSEMBLY		1	
18.2	TB604.384.3.2	PLUG SCREW		1	
19	GBT3452.1-32.5X1.80G	RUBBER O-SEAL RING		1	
20	GB899-AM12-M12X1.25X160-10.9-A 2L	DOUBLE END STUDS		2	

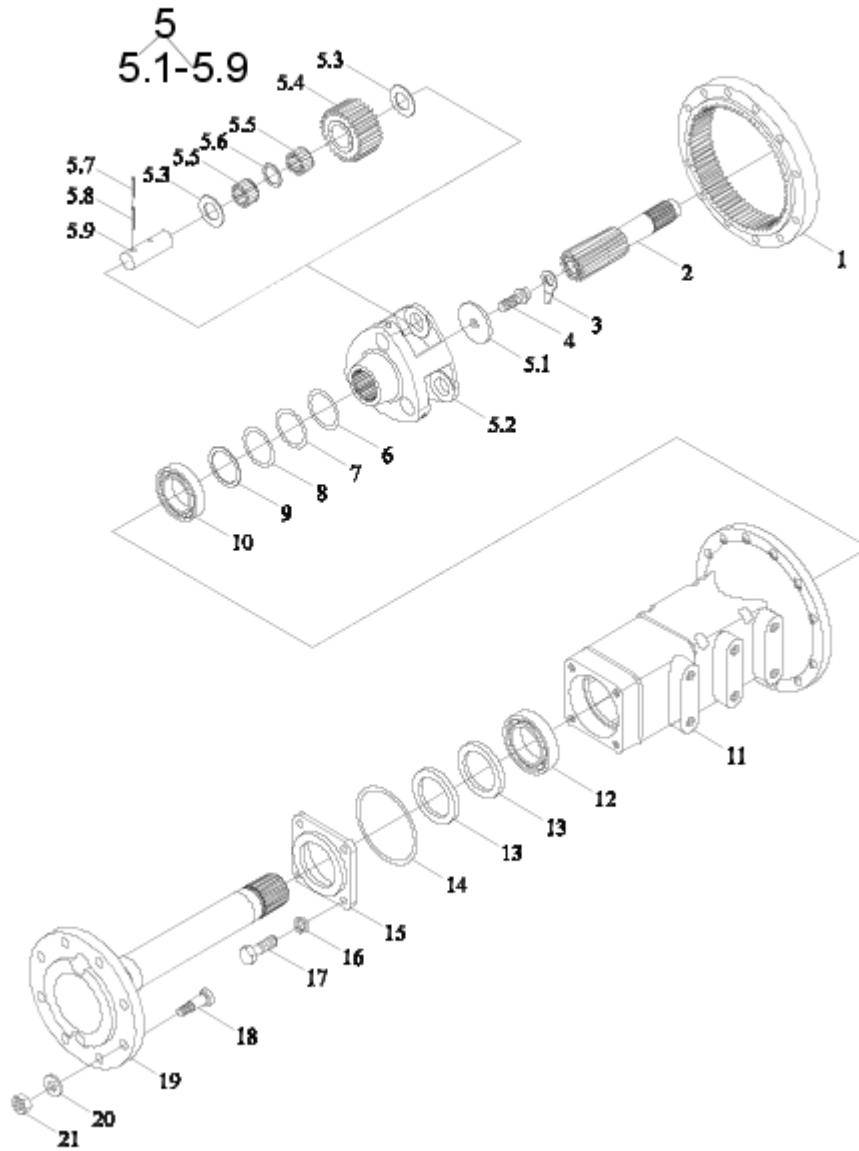
TS04385010000 SHUTTLE SHIFT CONTROL MECHANISM



TS04385010000 SHUTTLE SHIFT CONTROL MECHANISM

No.	Part No.	Description	Ver- sion	QTY.	Remark
	TS04385010000	SHUTTLE SHIFT CONTROL MECHANISM		1	
1	TS04385010008	CONTROL HANDLE		1	
2	TS04385010003	BRACKET WELDMENT		1	
3	GBT93-8-A0P	STANDARD SPRING WASHER		2	
4	GBT5783-M8X20-8.8-A2L	HEXAGON BOLT		2	
5	GBT93-6-A0P	STANDARD SPRING WASHER		2	
6	GBT70.1-M6X20-10.9-A3L	INNER HEXAGON SCREW		2	
7	TG1654.373B.1-01	PIN SHAFT		2	
8	GBT97.1-8-A0P	FLAT WASHER		2	
9	GBT91-3.2X20-A0P	SPLIT PIN		2	
10	TD950.373.2-02	BUSH		2	
11	GBT894.2-20	CIRCLIP FOR SHAFT		1	
12	TB604.385.3	SOFT SHAFT WELD		1	
13	TB604.385-02	ROCKER ARM		1	
14	GBT879.1-3.5X28	SPRING COLUMN PIN		2	
15	GBT879.1-6X28	SPRING COLUMN PIN		2	
16	GBT3452.1-16.0X2.65G	RUBBER O-SEAL RING		1	
17	TB554.385A-01	LEVER SHAFT SLEEVE		1	
18	TB554.385-01	ROCKER		1	
19	FT300.38J.203	REVERSE FORK SHAFT		1	
20	FT300.38J.218	REVERSE GEAR FORK		1	
21	GBT308-9.5-G100-b	STEEL BALL		1	
22	FT704.42B.163	FORK SHAFT LOCATING SPRING		1	
23	GBT91-4X32-A0P	SPLIT PIN		1	
24	TB400.385-09	BOLT		2	
25	GBT93-10-A0P	STANDARD SPRING WASHER		4	
26	TB604.385.2	SUPPORT PLATE WELDMENT		1	
27	GBT5783-M10X25-8.8-A3L	HEXAGON BOLT		2	
28	FT800A.48L.101	RUBBER RING-1		1	
29	TS04385010005	CONTROL ROD WELDMENT		1	

TB450. 391 LEFT FINAL TRANSMISSION ASSEMBLY



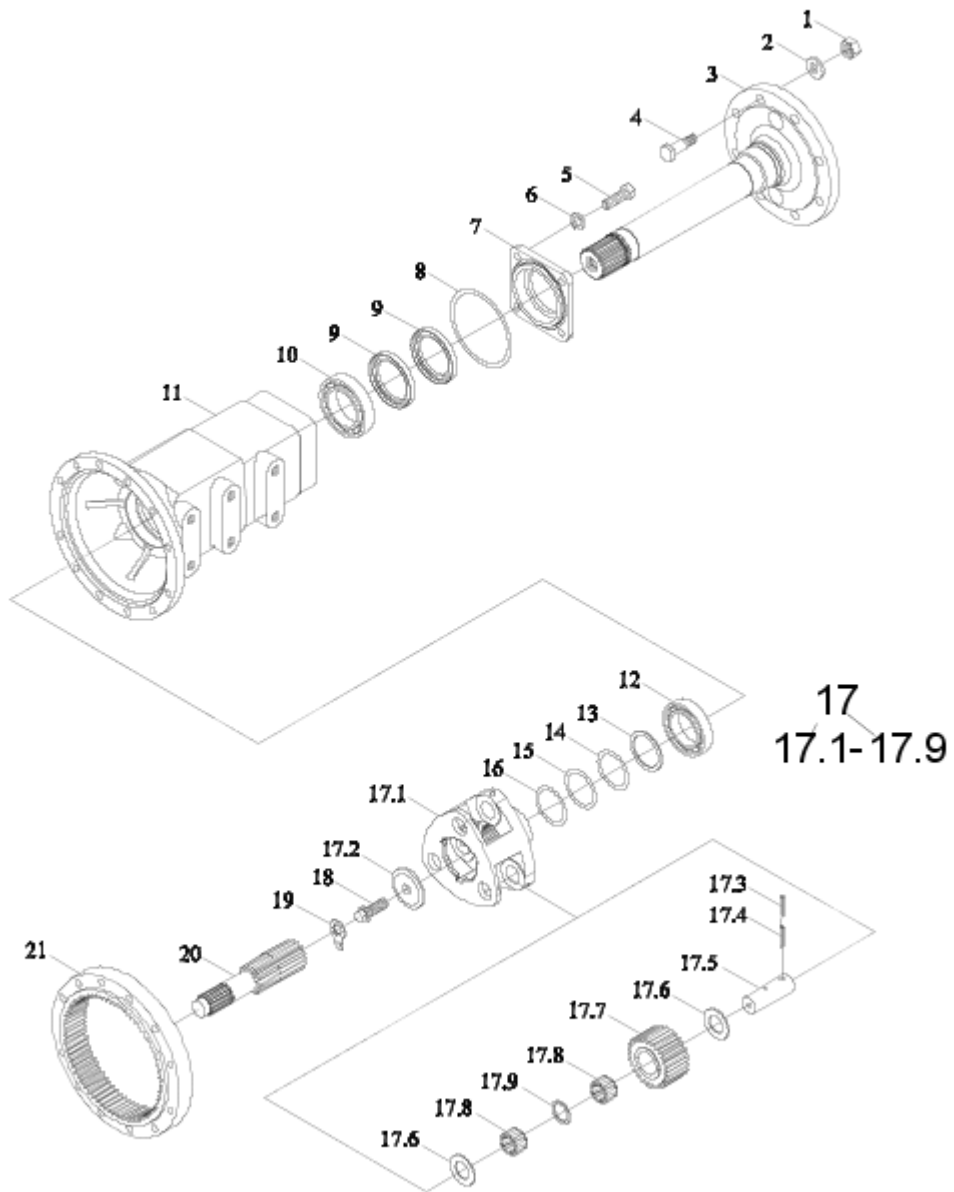
TB450. 391 LEFT FINAL TRANSMISSION ASSEMBLY

No.	Part No.	Description	Ver- sion	QTY.	Remark
	TB450.391	LEFT FINAL TRANSMIS- SION ASSEMBLY		1	
1	TB450.391-02	FINAL TRANSMISSION GEAR RING		1	
2	TB450.391-01	LEFT FINAL TRANSMIS- SION HALF SHAFT		1	
3	FT300.39.110	DRIVING SHAFT LOCK PIECE		1	
4	FT300.39.112	DRIVING SHAFT LOCK BOLT		1	
5	TB450.391.1	FINAL TRANSMISSION PLANET BRACKET ASSEMBLY		1	
5.1	FT300.39.111	RETAINER BLOCK		1	
5.2	FT300.39.104	PLANET CARRIER		1	
5.3	FT300.39.109	NEEDLE OUTER SPACER RING		6	
5.4	TB450.391.1-01	FINAL TRANSMISSION PLANET GEAR		3	
5.5	GBT309-P5X23.8-G2	NEEDLE		132	
5.6	FT300.39.105	NEEDLE INNER SPACER RING		3	
5.7	GBT879.1-5X26	SPRING COLUMN PIN		3	
5.8	QLWZB140-8X26	PIN		3	
5.9	FT300.39.106	PLANET GEAR SHAFT		3	
6	FT300.39.121	ADJUSTING WASHER		999	
7	FT300.39.122	ADJUSTING WASHER		999	
8	FT300.39.123	ADJUSTING WASHER		999	
9	FT300.39.113	SPACER BUSH		1	
10	GBT276-6211	DEEP GROOVE BALL BEARING		1	
11	FT300.39.115	LEFT DRIVING SHAFT HOUSING		1	
12	GBT276-6212	DEEP GROOVE BALL BEARING		1	
13	GBT9877.1-FB70X95X10D	SEAL RING		2	
14	GBT3452.1-115X3.55G	O-RING		1	
15	FT300.39.116	OIL SEAL SEAT		1	
16	GBT93-12-A0P	STANDARD SPRING WASHER		4	

TB450. 391 LEFT FINAL TRANSMISSION ASSEMBLY (cont'd.)

No.	Part No.	Description	Version	QTY.	Remark
17	GBT5783-M12X30-8.8-A3L	HEXAGON BOLT		4	
18	FT300.39.136	REAR HUB BOLT LEFT		8	
19	FT300.39.118	DRIVING SHAFT		1	
20	FT300.39.137	WASHER		8	
21	GBT6176-M16X1.5-LH-10-A3L	HEXAGON NUT, TYPE-2		8	

TB450. 392 RIGHT FINAL TRANSMISSION ASSEMBLY



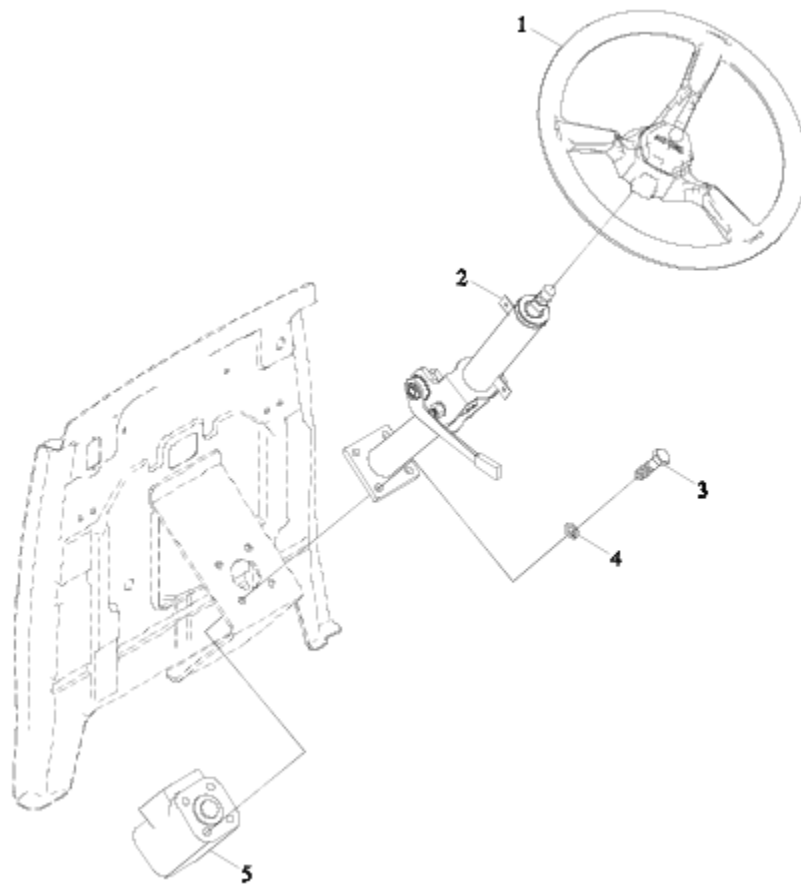
TB450. 392 RIGHT FINAL TRANSMISSION ASSEMBLY

No.	Part No.	Description	Version	QTY.	Remark
	TB450.392	RIGHT FINAL TRANSMISSION ASSEMBLY		1	
1	GBT6176-M16X1.5-10-A3L	HEXAGON NUT, TYPE-2		8	
2	FT300.39.137	WASHER		8	
3	FT300.39.118	DRIVING SHAFT		1	
4	FT300.39.135	REAR HUB BOLT		8	
5	GBT5783-M12X30-8.8-A3L	HEXAGON BOLT		4	
6	GBT93-12-A0P	STANDARD SPRING WASHER		4	
7	FT300.39.116	OIL SEAL SEAT		1	
8	GBT3452.1-115X3.55G	O-RING		1	
9	GBT9877.1-FB70X95X10D	SEAL RING		2	
10	GBT276-6212	DEEP GROOVE BALL BEARING		1	
11	FT300.39.114	RIGHT DRIVING SHAFT HOUSING		1	
12	GBT276-6211	DEEP GROOVE BALL BEARING		1	
13	FT300.39.113	SPACER BUSH		1	
14	FT300.39.121	ADJUSTING WASHER		999	
15	FT300.39.122	ADJUSTING WASHER		999	
16	FT300.39.123	ADJUSTING WASHER		999	
17	TB450.391.1	FINAL TRANSMISSION PLANET BRACKET ASSEMBLY		1	
17.1	FT300.39.104	PLANET CARRIER		1	
17.2	FT300.39.111	RETAINER BLOCK		1	
17.3	GBT879.1-5X26	SPRING COLUMN PIN		3	
17.4	QLWZB140-8X26	SPRING COLUMN PIN		3	
17.5	FT300.39.106	PLANET GEAR SHAFT		3	
17.6	FT300.39.109	NEEDLE OUTER SPACER RING		6	
17.7	TB450.391.1-01	FINAL TRANSMISSION PLANET GEAR		3	
17.8	GBT309-P5X23.8-G2	NEEDLE		132	
17.9	FT300.39.105	NEEDLE INNER SPACER RING		3	
18	FT300.39.112	DRIVING SHAFT LOCK BOLT		1	

TB450.392 RIGHT FINAL TRANSMISSION ASSEMBLY (cont'd.)

No.	Part No.	Description	Version	QTY.	Remark
19	FT300.39.110	DRIVING SHAFT LOCK PIECE		1	
20	TB450.392-01	RIGHT FINAL TRANSMIS- SION HALF SHAFT		1	
21	TB450.391-02	FINAL TRANSMISSION GEAR RING		1	

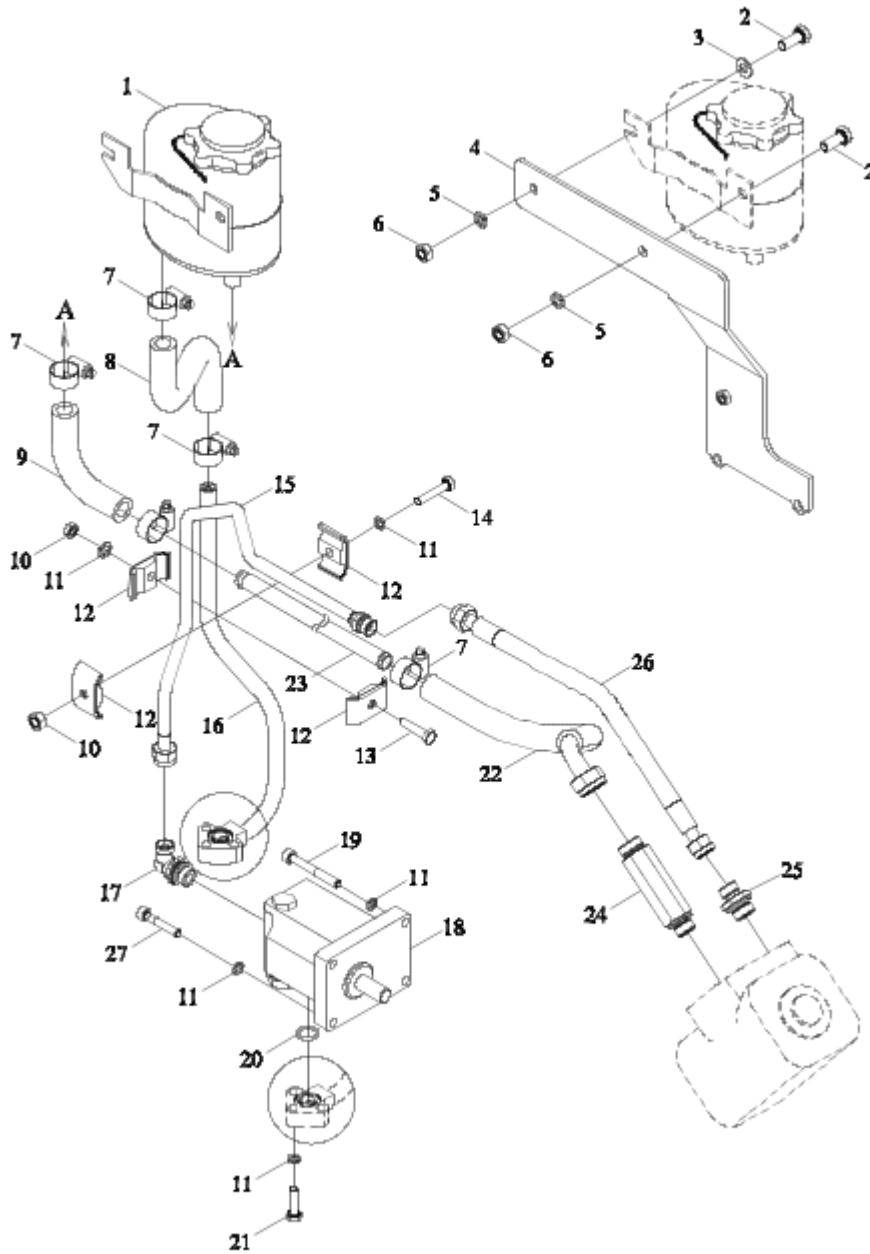
TC0440108000 REDIRECTOR OR STEERING COLUMN ASSEMBLY



TC0440108000 REDIRECTOR OR STEERING COLUMN ASSEMBLY

No.	Part No.	Description	Version	QTY.	Remark
	TC0440108000	REDIRECTOR OR STEERING COLUMN ASSEMBLY		1	
1	TS04401010001	STEERING WHEEL ASSEMBLY		1	
2	TS04401010002	STEERING PIPE COLUMN ASSEMBLY		1	
3	GBT5783-M10X30-8.8-A3L	HEXAGON BOLT		4	
4	GBT93-10-A0P	STANDARD SPRING WASHER		4	
5	TC04400010009	HYDRAULIC STEERING MECHANISM ASSEMBLY		1	

TC0240265000K FULL HYDRAULIC STEERING PIPE ASSEMBLY-1



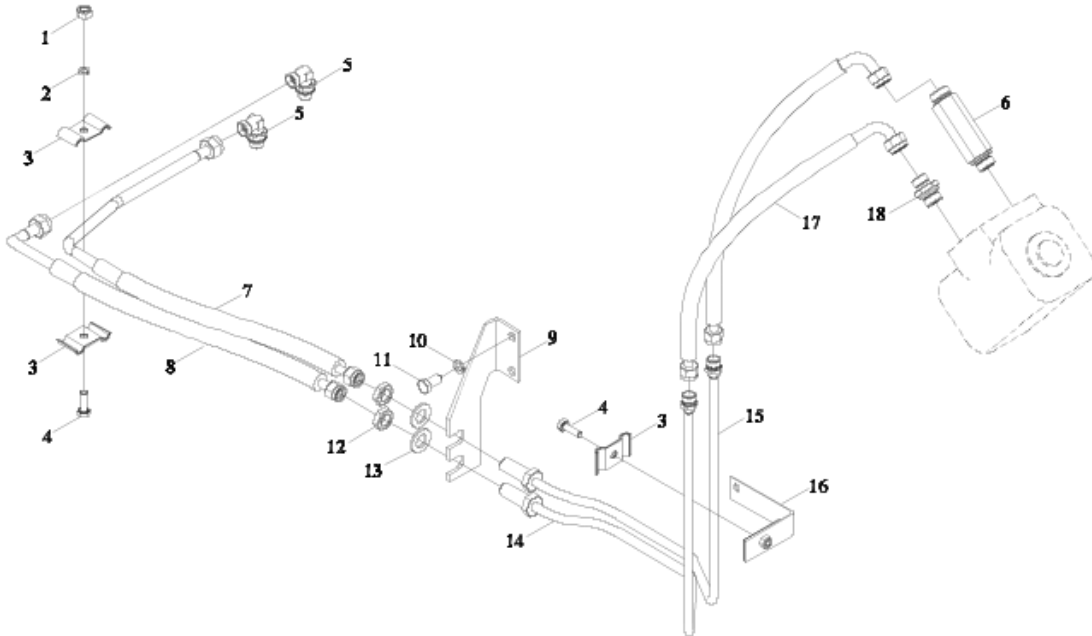
TC02402650000K FULL HYDRAULIC STEERING PIPE ASSEMBLY-1

No.	Part No.	Description	Version	QTY.	Remark
	TC02402650000K	FULLHYDRAULICSTEERINGPIPEASSEMBLY		1	
1	TS04402010019	STEERING OIL TANK AND BREATH ASSEMBLY		1	
2	GBT5783-M10X25-8.8-A3L	HEXAGON BOLT		2	
3	GBT97.1-10-A3L	FLAT WASHER		1	
4	TC02402200020K	BRACKET WELDMENT		1	
5	GBT93-10-A3L	STANDARD SPRING WASHER		2	
6	GBT6170-M10-8-A3L	HEXAGON NUT, TYPE-1		2	
7	Q67627	B-TYPE WORM TRANSMISSION HOSE CLAMP		5	
8	TC02402200024K	OIL SUCTION RUBBER HOSE D16		1	
9	TC02402200025K	OIL RETURN RUBBER HOSE		1	
10	GBT6170-M8-8-A2L	HEXAGON NUT, TYPE-1		1	
11	GBT93-8-A3L	STANDARD SPRING WASHER		10	
12	TC02402200015K	OIL PIPE CLAMP AND RUBBER WASHER 16-12		4	
13	GBT5783-M8X35-8.8-A2L	HEXAGON BOLT		1	
14	GBT5783-M8X40-8.8-A2L	HEXAGON BOLT		1	
15	TC02402200002K	OIL PUMP OUTLET STEEL PIPE WELDMENT		1	
16	TC02402200004K	ABSORB OIL PIPE WELDMENT OF OIL PUMP		1	
17	TC04400020003	ADJUSTABLE JOINT		1	
18	TC02402270002K	PERMANENT OVERFLOW PUMP		1	
19	GBT70.1-M8X65-8.8	INNER HEXAGON SCREW		2	
20	GBT3452.1-17.0X2.65G	RUBBER O-SEAL RING		1	
21	GBT5783-M8X30-8.8-A2L	HEXAGON BOLT		3	
22	TC02402200029K	REDIRECTOR OIL RETURN PIPE ASSEMBLY		1	
23	TC02402200028K	OIL RETURN STEEL PIPE		1	
24	TC04402080012	END STRAIGHT THREAD CONNECTOR BODY L16		1	
25	GE20D18.24.93.5	END STRAIGHT THREAD CONNECTOR BODY		2	

TC02402650000K FULL HYDRAULIC STEERING PIPE ASSEMBLY-1 (cont'd.)

No.	Part No.	Description	Version	QTY.	Remark
26	TC02402200001K	HIGH PRESSURE HOSE ASSEMBLY		1	
27	GBT70.1-M8X45-8.8-A2L	INNER HEXAGON SCREW		2	

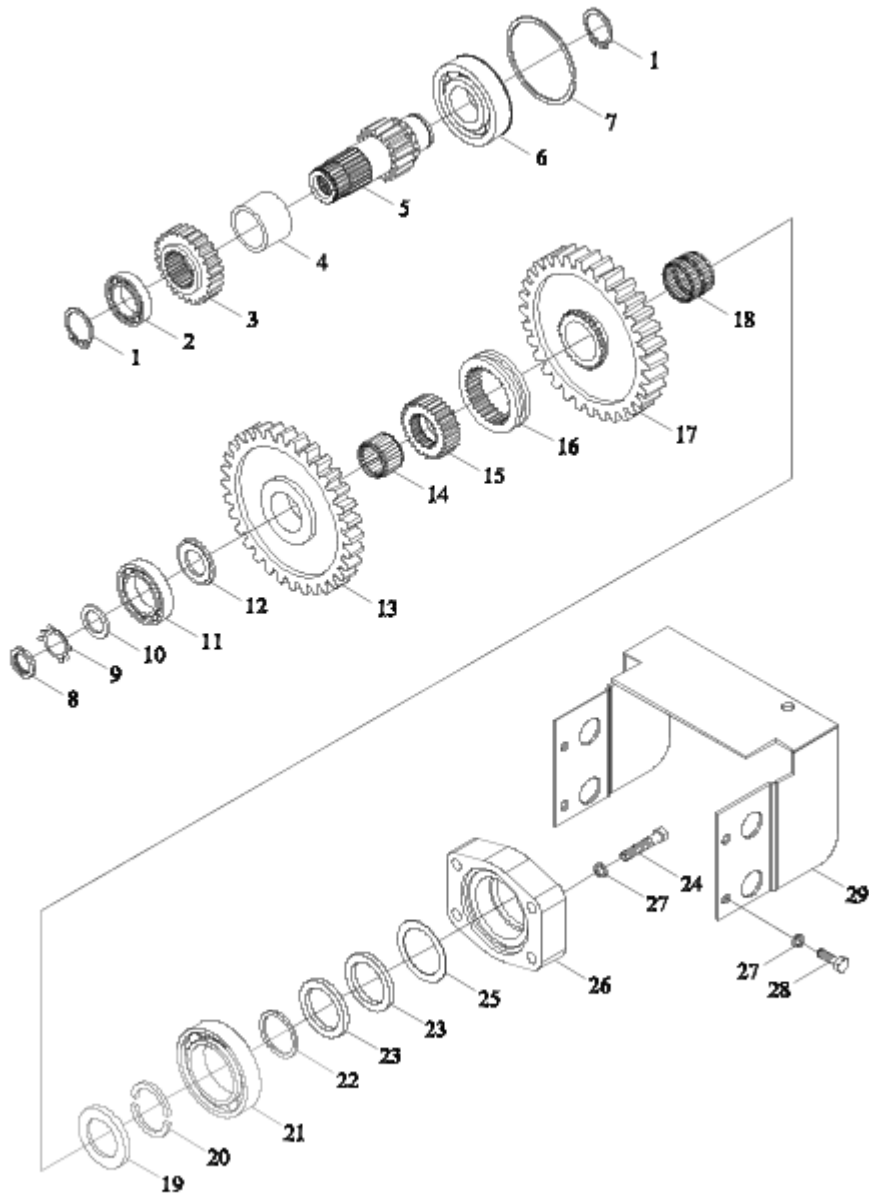
TC0240265000K FULL HYDRAULIC STEERING PIPE ASSEMBLY-2



TC02402650000K FULL HYDRAULIC STEERING PIPE ASSEMBLY-2

No.	Part No.	Description	Version	QTY.	Remark
	TC02402650000K(2)	FULLHYDRAULICSTEERINGPIPEASSEMBLY		1	
1	GBT6170-M8-8-A2L(2)	HEXAGON NUT, TYPE-1		1	
2	GBT93-8-A3L(2)	STANDARD SPRING WASHER		1	
3	TC02402200018K	OIL PIPE CLAMP		3	
4	GBT5783-M8X25-8.8-A2L	HEXAGON BOLT		2	
5	GL06701050023	CONNECTING JOINT L12		2	
6	TC04402080010	END STRAIGHT THREAD CONNECTOR BODY L12		1	
7	TC02402660001K	RIGHT STEERING OIL PIPE ASSEMBLY		1	
8	TC02402660002K	LEFT STEERING OIL PIPE ASSEMBLY		1	
9	TC02402200011K	BRACKET		1	
10	GBT93-10-A3L(2)	STANDARD SPRING WASHER		2	
11	GBT5783-M10X20-8.8-A3L	HEXAGON BOLT		2	
12	GBT6173-M16X1.5-05-A3L	HEXAGON THIN NUT		2	
13	GBT97.1-16-A3L	FLAT WASHER		2	
14	TC02402200009K	RIGHT STEERING STEEL PIPE WELDMENT		1	
15	TC02402200007K	LEFT STEERING STEEL PIPE WELDMENT		1	
16	TC02402200026K	BRACKET WELDMENT		1	
17	TC02402200006K	OIL OUTLET PIPE ASSEMBLY		2	
18	GE20D18.24.93.5(2)	END STRAIGHT THREAD CONNECTOR BODY		1	

TC02411010000K PTO GEAR ASSEMBLY



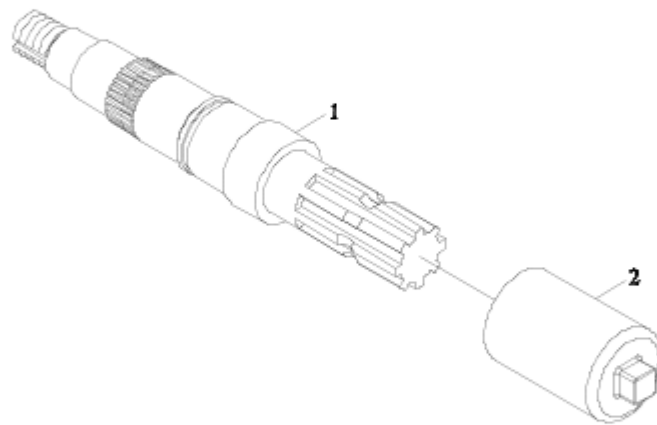
TC02411010000K PTO GEAR ASSEMBLY

No.	Part No.	Description	Version	QTY.	Remark
	TC02411010000K	PTO GEAR ASSEMBLY		1	
1	GBT894.1-40	CIRCLIP FOR SHAFT		2	
2	GBT276-6208	DEEP GROOVE BALL BEARING		1	
3	FT300.41E.120	PTO HIGH GEAR DRIVING GEAR		1	
4	FT300.41E.121	SPACER BUSH		1	
5	FT300.41E.106	PTO LOW GEAR DRIVING GEAR		1	
6	GBT276-6308N	DEEP GROOVE BALL BEARING		1	
7	GBT305-90-96.5	THRUST RING		1	
8	GBT812-M25X1.5	ROUND NUT		1	
9	GBT858-25	THRUST WASHER FOR ROUND NUT		1	
10	FT300.41.122	WASHER		1	
11	GBT276-6306	DEEP GROOVE BALL BEARING		1	
12	FT300.41C.118	OUTPUT SHAFT FRONT RETAINER RING		1	
13	FT300.41E.105	PTO DRIVEN SMALL GEAR		1	
14	JBT7918-K35X40X27	NEEDLE AND CARRIER COMBINATION		1	
15	FT300.41C.117	PTO MESHING SEAT		1	
16	FT300.41C.116	PTO SHIFT COLLAR		1	
17	FT300.41E.103	PTO DRIVEN BIG GEAR		1	
18	QLWZB120-K40X46X34ZW	ROLLER NEEDLE BEARING		1	
19	FT300.41E.114	REAR RETAINER RING		1	
20	FT300.41E.119	THRUST RING		1	
21	GBT276-6309	DEEP GROOVE BALL BEARING		1	
22	FT300.41E.113	OUTPUT SHAFT BEARING WASHER		1	
23	GBT9877.1-FB50X72X8D	SEAL RING		2	
24	GBT5783-M12X25-8.8-A3L	HEXAGON BOLT		4	
25	FT300.41E.115	OIL SEAL RETAINER RING		1	
26	FT300.41E.101	REAR END COVER I		1	
27	GBT93-12-A0P	STANDARD SPRING WASHER		8	

TC02411010000K PTO GEAR ASSEMBLY (cont'd.)

No.	Part No.	Description	Version	QTY.	Remark
28	GBT5782-M12X55-8.8-A3L	HEXAGON BOLT		4	
29	TC02411010001K	PTO BONNET WELDMENT		1	

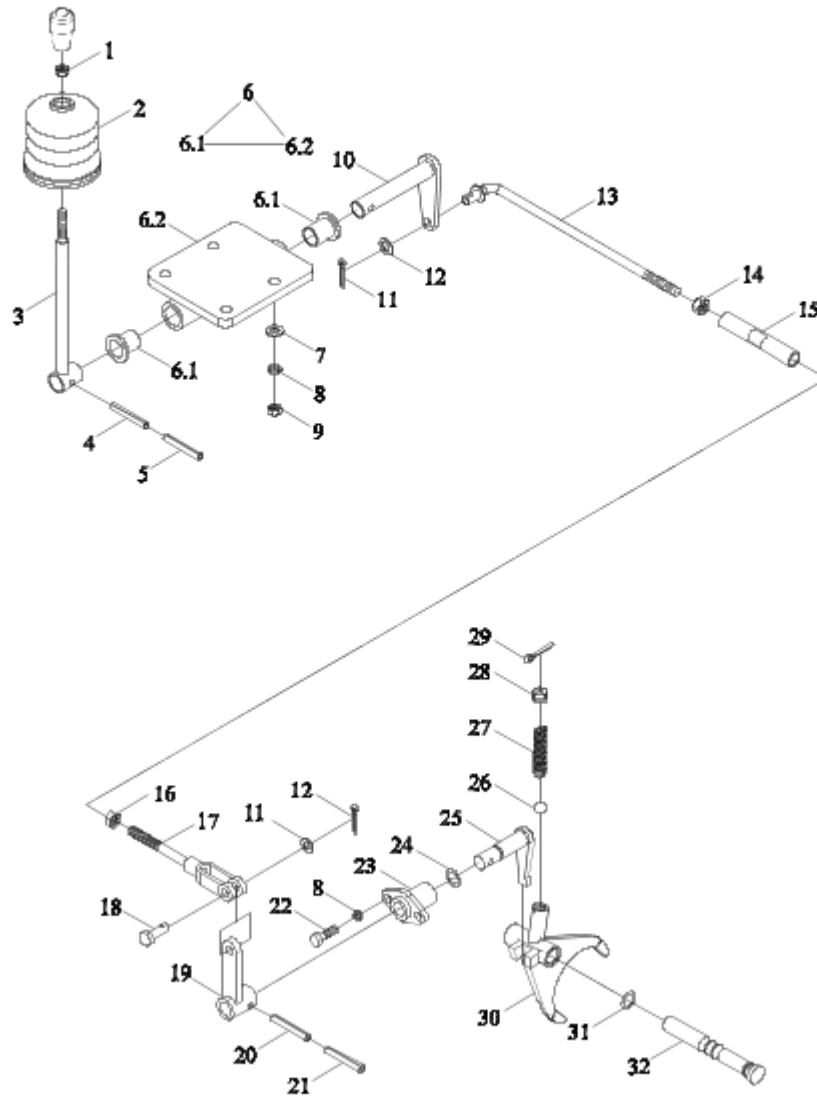
TB550. 412A PTO SHAFT ASSEMBLY



TB550. 412A PTO SHAFT ASSEMBLY

No.	Part No.	Description	Version	QTY.	Remark
	TB550.412A	PTO SHAFT ASSEMBLY		1	
1	TB550.412A-01	TYPE-I 35 PTO SHAFT		1	
2	TB550.412-02	PTO SHAFT HOOD SHIELD		1	

TS04413010000 PTO CONTROL ASSEMBLY



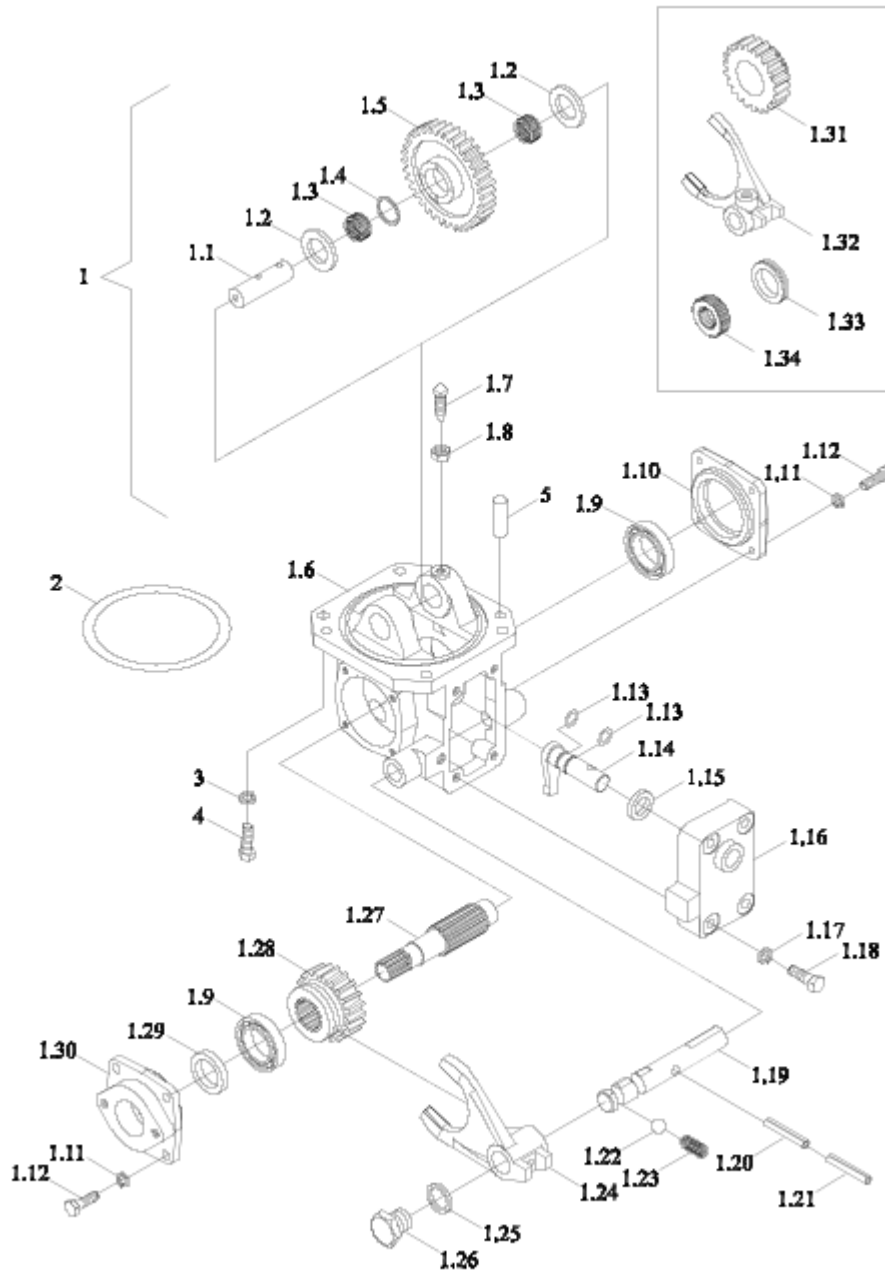
TS04413010000 PTO CONTROL ASSEMBLY

No.	Part No.	Description	Ver- sion	QTY.	Remark
	TS04413010000	PTO CONTROL ASSEMBLY		1	
1	GBT6170-M10-8-A3L	HEXAGON NUT, TYPE-1		1	
2	TB704.413A-02	DUSTPROOF RING		1	
3	TB504.413A.2	PTO GEARSHIFT CONTROL ROD WELDMENT		1	
4	GBT879.1-6X32	SPRING COLUMN PIN		1	
5	GBT879.1-3.5X32	SPRING COLUMN PIN		1	
6	TS04413010003	SUPPORT SEAT		1	
7	GBT97.1-8-A0P	FLAT WASHER		4	
8	GBT93-8-A0P	STANDARD SPRING WASHER		6	
9	GBT6170-M8-8-A2L	HEXAGON NUT, TYPE-1		4	
10	TS04413010004	CONTROL ROCKER WELDMENT		1	
11	GBT91-3.2X16-A0P	SPLIT PIN		2	
12	GBT97.1-10-A0P	FLAT WASHER		2	
13	TS04413010005	MIDDLE PULL ROD WELDMENT		1	
14	GBT6171-M10X1-LH-8-A2L	HEXAGON NUT, TYPE-1		1	
15	FT800A.21.353	MIDDLE ROD		1	
16	GBT6171-M10X1-8-A2L	HEXAGON NUT, TYPE-1		1	
17	TB504.413A.5	PULL ROD WELDMENT		1	
18	GBT882-B10X30	PIN SHAFT		1	
19	TB480.413.2	ROCKER WELDMENT		1	
20	GBT879.1-6X26	SPRING COLUMN PIN		1	
21	GBT879.1-3.5X26	SPRING COLUMN PIN		1	
22	GBT5783-M8X20-8.8-A2L	HEXAGON BOLT		2	
23	FT300.41E.109	LEVER SHAFT SLEEVE		1	
24	GBT3452.1-16.0X2.65G	RUBBER O-SEAL RING		1	
25	TB550.413-04	LEVER		1	
26	GBT308-9.5-G100-b	STEEL BALL		1	
27	FT704.42B.163	FORK SHAFT LOCATING SPRING		1	
28	TB550.413-03	SCREW NECK		1	
29	GBT91-2.5X32-A0P	SPLIT PIN		1	
30	TB550.413-01a	OPERATION FORK OF PTO		1	

TS04413010000 PTO CONTROL ASSEMBLY (cont'd.)

No.	Part No.	Description	Version	QTY.	Remark
31	GBT3452.1-11.2X2.65G	RUBBER O-SEAL RING		1	
32	FT300.41C.107a	PTO FORK SHAFT		1	

TB554. 421E TRANSFER CASE ASSEMBLY



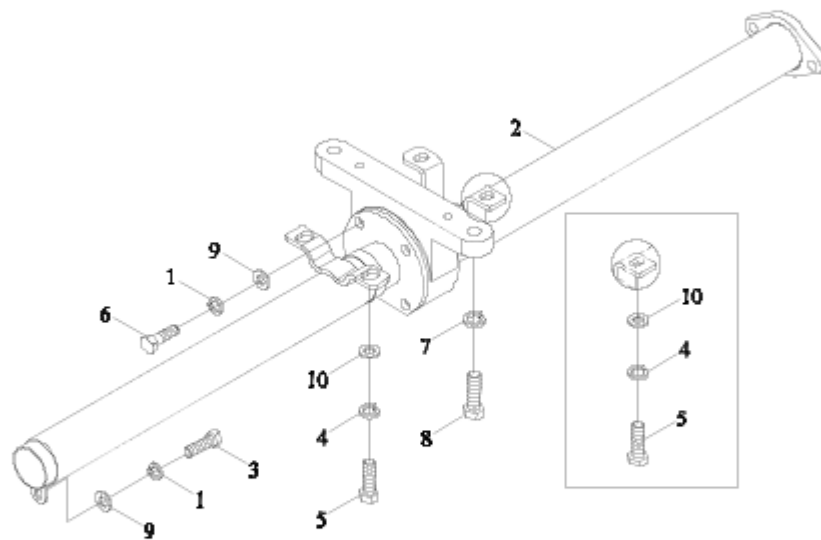
TB554. 421E TRANSFER CASE ASSEMBLY

No.	Part No.	Description	Version	QTY.	Remark
	TB554.421E	TRANSFER CASE ASSEMBLY		1	
1	TB554.421E.1	TRANSFER CASE BODY INSTALLATION ASSEMBLY		1	
1.1	FT304.42.102	IDLER SHAFT		1	
1.2	FT304.42F.103	THRUST RING		2	
1.3	JBT7918-K25X31X20	NEEDLE AND CARRIER COMBINATION		2	
1.4	FT304.42.126	NEEDLE INNER SPACER SLEEVE		1	
1.5	TB554.421E.1-02	TRANSFER CASE IDLER		2	
1.6	TB554.421E.1-01	TRANSFER CASE BODY		2	
1.7	FT304.42.112	THRUST SCREW		1	
1.8	GBT6173-M10X1-05-A2L	HEXAGON THIN NUT		1	
1.9	GBT276-6306	DEEP GROOVE BALL BEARING		2	
1.10	FT304.42.117	BEARING COVER		1	
1.11	GBT93-8-A0P	STANDARD SPRING WASHER		8	
1.12	GBT5783-M8X20-8.8-A2L	HEXAGON BOLT		8	
1.13	GBT3452.1-17.0X1.80G	RUBBER O-SEAL RING		2	
1.14	TB554.421E.1.1	ROTARY SHAFT WELDMENT		2	
1.15	TB554.423B-02	ROTARY SHAFT SPACER BUSH		1	
1.16	TB554.421E.1-05	SIDE COVER		2	
1.17	GBT93-10-A0P	STANDARD SPRING WASHER		4	
1.18	GBT5782-M10X45-8.8-A3L	HEXAGON BOLT		4	
1.19	TB554.421E.1-04	FORK SHAFT		2	
1.20	GBT879.1-6X30	SPRING COLUMN PIN		1	
1.21	GBT879.1-3.5X30	SPRING COLUMN PIN		1	
1.22	GBT308-10-G100-b	STEEL BALL		1	
1.23	FT800.37.139	SPRING		1	
1.24	TB554.421E.1-06	RELEASE FORK		2	
1.25	JBT982-18	COMBINED SEAL GASKET		2	
1.26	FT804.42.110	SCREW PLUG		2	
1.27	FT304.42F.105	TRANSFER CASE OUTPUT SHAFT		1	

TB554. 421E TRANSFER CASE ASSEMBLY (cont'd.)

No.	Part No.	Description	Version	QTY.	Remark
1.28	TB554.421E.1-03	TRANSFER CASE DRIVEN GEAR		2	
1.29	GBT9877.1-FB30X52X7D	SEAL RING		1	
1.30	FT304.42F.106	BEARING SEAT		1	
1.31	TB554.421D.1-01	TRANSFER CASE DRIVEN GEAR		1	
1.32	TB554.421B.1-07	RELEASE FORK		1	
1.33	TB604.421.1-03	SHIFT COLLAR		1	
1.34	FT804.42.115	MESH GEAR SEAT		1	
2	GBT3452.1-132X3.55G	RUBBER O-SEAL RING		1	
3	GBT93-10-A0P(2)	STANDARD SPRING WASHER		4	
4	GBT5783-M10X30-8.8-A3L	HEXAGON BOLT		4	
5	GBT119.1-10m6X20-A0P	COLUMN PIN		2	

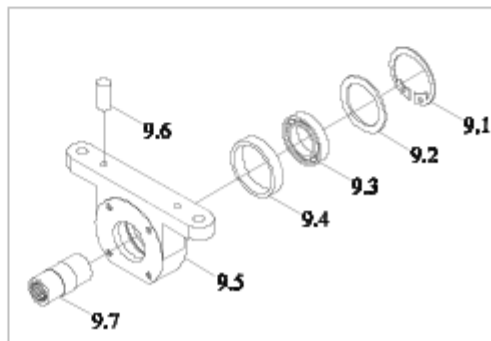
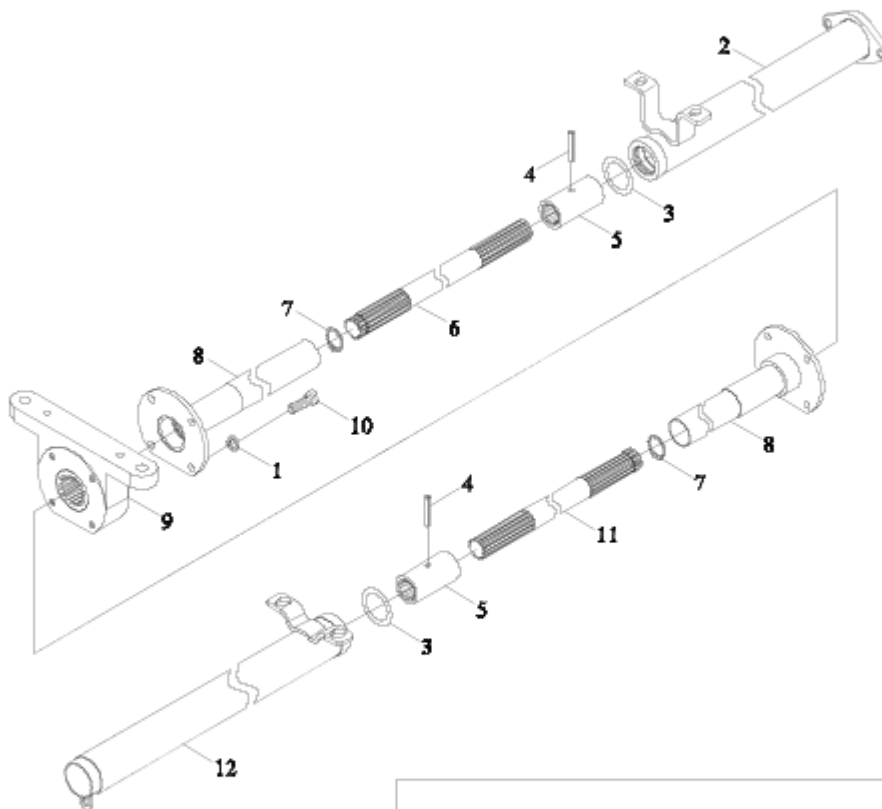
TB454. 422 TRANSFER CASE TRANSMISSION ASSEMBLY-1



TB454. 422 TRANSFER CASE TRANSMISSION ASSEMBLY-1

No.	Part No.	Description	Version	QTY.	Remark
	TB454.422	TRANSFER CASE TRANSMISSION ASSEMBLY		1	
1	GBT93-8	STANDARD SPRING WASHER		1	
2	TB454.422.1	TRANSMISSION SHAFT ASSEMBLY		2	
3	GBT5783-M8X16-8.8-A2L	HEXAGON BOLT		3	
4	GBT93-10	STANDARD SPRING WASHER		4	
5	GBT5783-M10X25-8.8-A3L	HEXAGON BOLT		5	
6	GBT5783-M8X20-8.8-A2L	HEXAGON BOLT		6	
7	GBT93-12	STANDARD SPRING WASHER		7	
8	GBT5783-M12X40-8.8-A3L	HEXAGON BOLT		8	
9	GBT95-8-A0P	FLAT WASHER		9	
10	GBT97.1-10-A0P	FLAT WASHER		10	

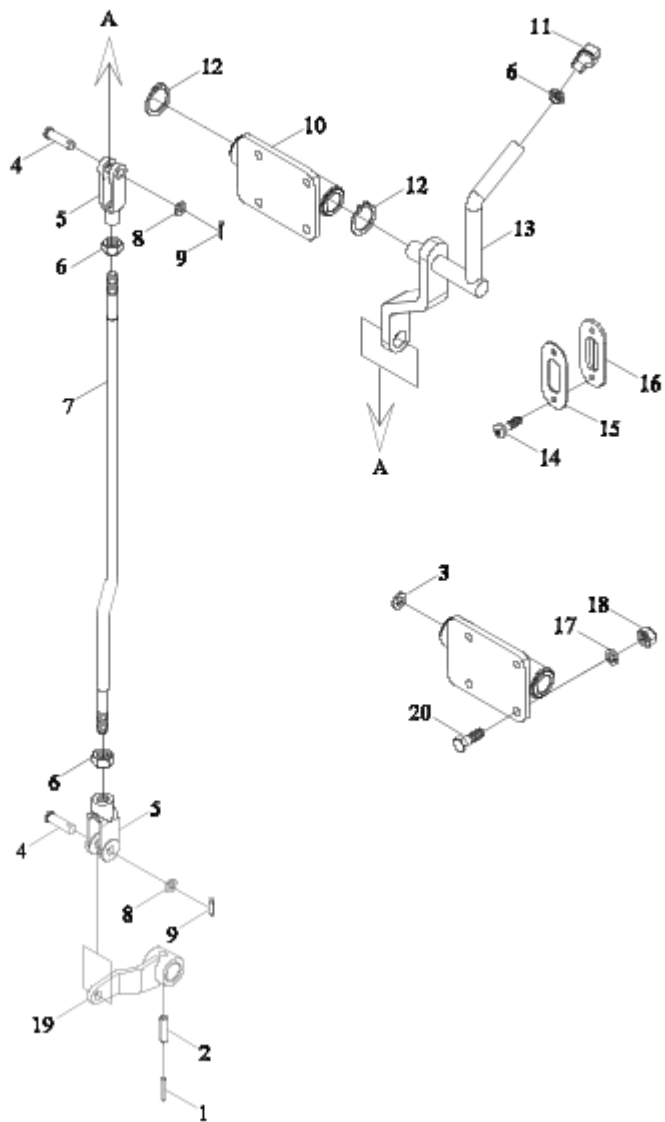
TB454. 422 TRANSFER CASE TRANSMISSION ASSEMBLY-2



TB454. 422 TRANSFER CASE TRANSMISSION ASSEMBLY-2

No.	Part No.	Description	Version	QTY.	Remark
	TB454.422.1(2)	TRANSMISSION SHAFT ASSEMBLY		1	
1	GBT93-8(2)	STANDARD SPRING WASHER		8	
2	FT304.42F.015	GUARD SLEEVE WELDMENT-1		1	
3	GBT3452.1-34.5X3.55G	RUBBER O-SEAL RING		2	
4	GBT879.1-6X35	SPRING COLUMN PIN		2	
5	FT304.42.107a	SPLINE BUSH		2	
6	FT404.42.128	REAR TRANSMISSION SHAFT		1	
7	GBT894.1-26	CIRCLIP FOR SHAFT		2	
8	FT304.42X.017	GUARD SLEEVE WELDMENT-2		2	
9	TB554.422.1	MIDDLE BEARING SEAT ASSEMBLY		1	
9.1	GBT893.2-72	CIRCLIPS FOR HOLE		1	
9.2	FT304.42X.136	SPACER RING		1	
9.3	GBT276-6007-2RS	DEEP GROOVE BALL BEARING		1	
9.4	FT304.42X.137	RUBBER RING		1	
9.5	FT304.42X.138	MIDDLE BEARING SEAT		1	
9.6	GBT119.1-8m6X20-A0P	COLUMN PIN		2	
9.7	FT304.42X.135	MIDDLE SPLINE BUSH		1	
10	GBT5783-M8X20-8.8-A2L(2)	HEXAGON BOLT		8	
11	FT404.42.139	FRONT TRANSMISSION SHAFT		1	
12	FT404.42.016	GUARD SLEEVE WELDMENT-3		1	

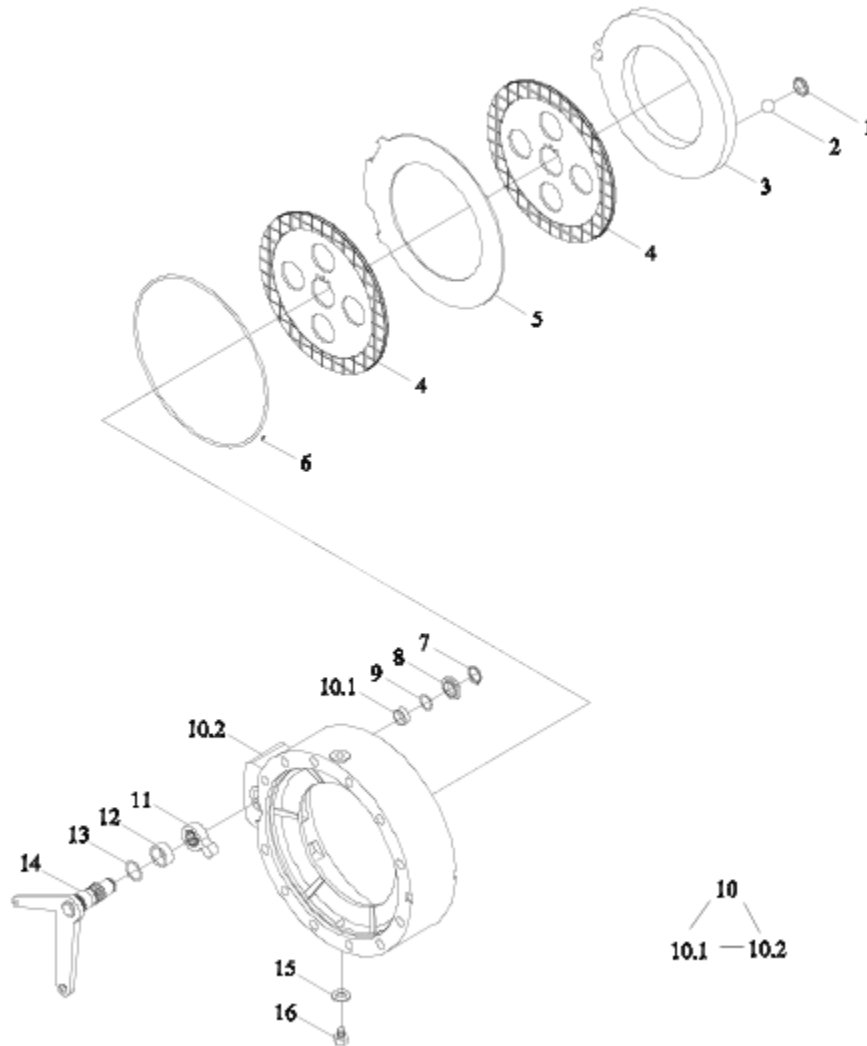
TS04423010000K TRANSFER CASE CONTROL ASSEMBLY



TS04423010000K TRANSFER CASE CONTROL ASSEMBLY

No.	Part No.	Description	Version	QTY.	Remark
	TS04423010000K	TRANSFER CASE CONTROL ASSEMBLY		1	
1	GBT879.1-5X32	SPRING COLUMN PIN		1	
2	GBT879.1-8X32	SPRING COLUMN PIN		1	
3	GBT95-24-A0P	FLAT WASHER		1	
4	GBT882-B10X30-A0P	PIN SHAFT		2	
5	FT300.43.108	PULL ROD FRONT FORK		2	
6	GBT6170-M10-8-A3L	HEXAGON NUT, TYPE-1		3	
7	TS04423010002K	PULL ROD		1	
8	GBT97.1-10-A0P	FLAT WASHER		2	
9	GBT91-3.2X16-A0P	SPLIT PIN		2	
10	TS04423010003	SUPPORT SEAT		1	
11	TS04423010001K	TRANSFER CASE CONTROL HANDLE		1	
12	GBT894.1-22	CIRCLIP FOR SHAFT		2	
13	TS04423010003K	STEERING AXLE WELDMENT		1	
14	GBT823-M6X12-4.8-A2L	SCREW		2	
15	TS04423010013	PRESSURE PLATE		1	
16	TS04423010012	SEAL GASKET		1	
17	GBT93-8-A0P	STANDARD SPRING WASHER		4	
18	GBT6170-M8-8-A2L	HEXAGON NUT, TYPE-1		4	
19	TS04423010005	ROCKER WELDMENT		1	
20	GBT5783-M8X16-8.8-A2L	HEXAGON BOLT		4	

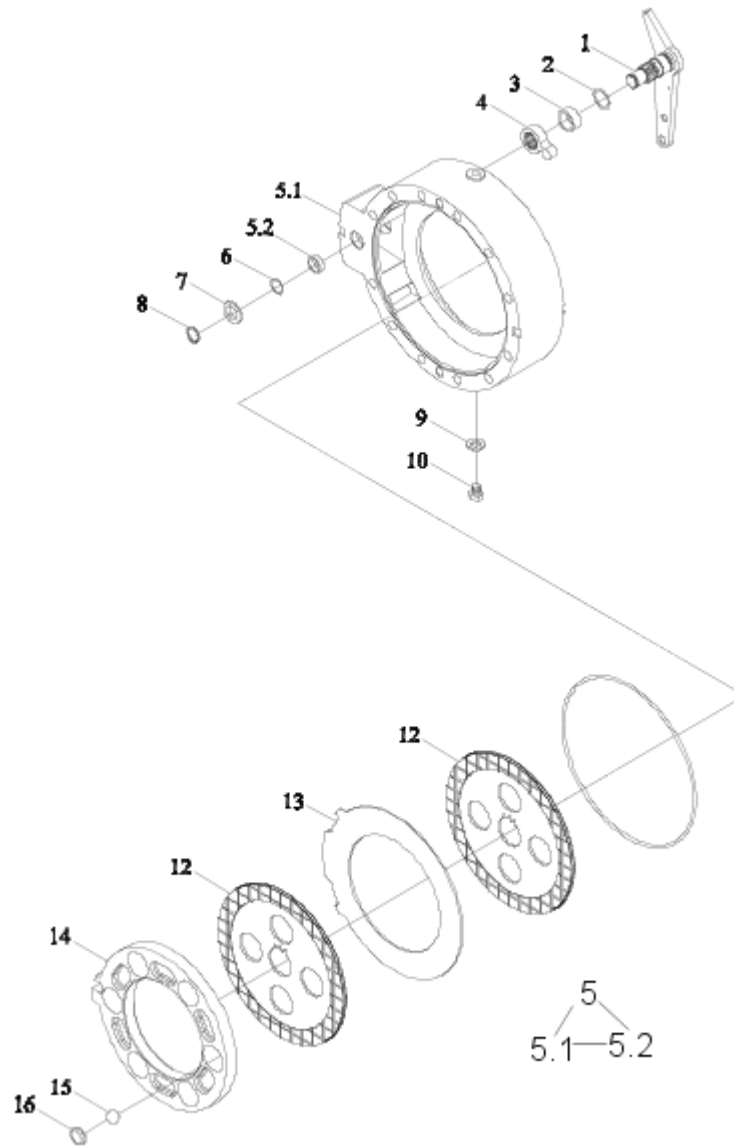
TB504. 431B LEFT BRAKE ASSEMBLY



TB504. 431B LEFT BRAKE ASSEMBLY

No.	Part No.	Description	Version	QTY.	Remark
	TB504.431B	LEFT BRAKE ASSEMBLY		1	
1	FT300.43.102	BOWL PLUG		6	
2	GBT308-18-G100-b	STEEL BALL		6	
3	FT300.43.103	LEFT BRAKE PRESSURE PLATE		1	
4	TB450.431.1	BRAKE FRICTION PLATE ASSEMBLY		2	
5	FT300.43.105	SPACER PLATE		1	
6	FT300.43.101	O-RING		1	
7	GBT894.1-18	CIRCLIP FOR SHAFT		1	
8	FT300.43.109a	WASHER		1	
9	GBT3452.1-18.0X2.65G	RUBBER O-SEAL RING		1	
10	FT300.43.012	LEFT BRAKE HOUSING ASSEMBLY		1	
10.1	FT300.43.114	CRANK SHAFT BUSH		1	
10.2	FT300.43.121	LEFT BRAKE HOUSING		1	
11	FT300.43.106	DIAL BLOCK		1	
12	FT300.43.107	SPACER BUSH		1	
13	GBT3452.1-20.0X2.65G	RUBBER O-SEAL RING		1	
14	TB504.431B.1	LEFT CRANK UNIT		1	
15	JBT982-12	COMBINED SEAL GASKET		1	
16	FT300.43.154	SCREW PLUG		1	

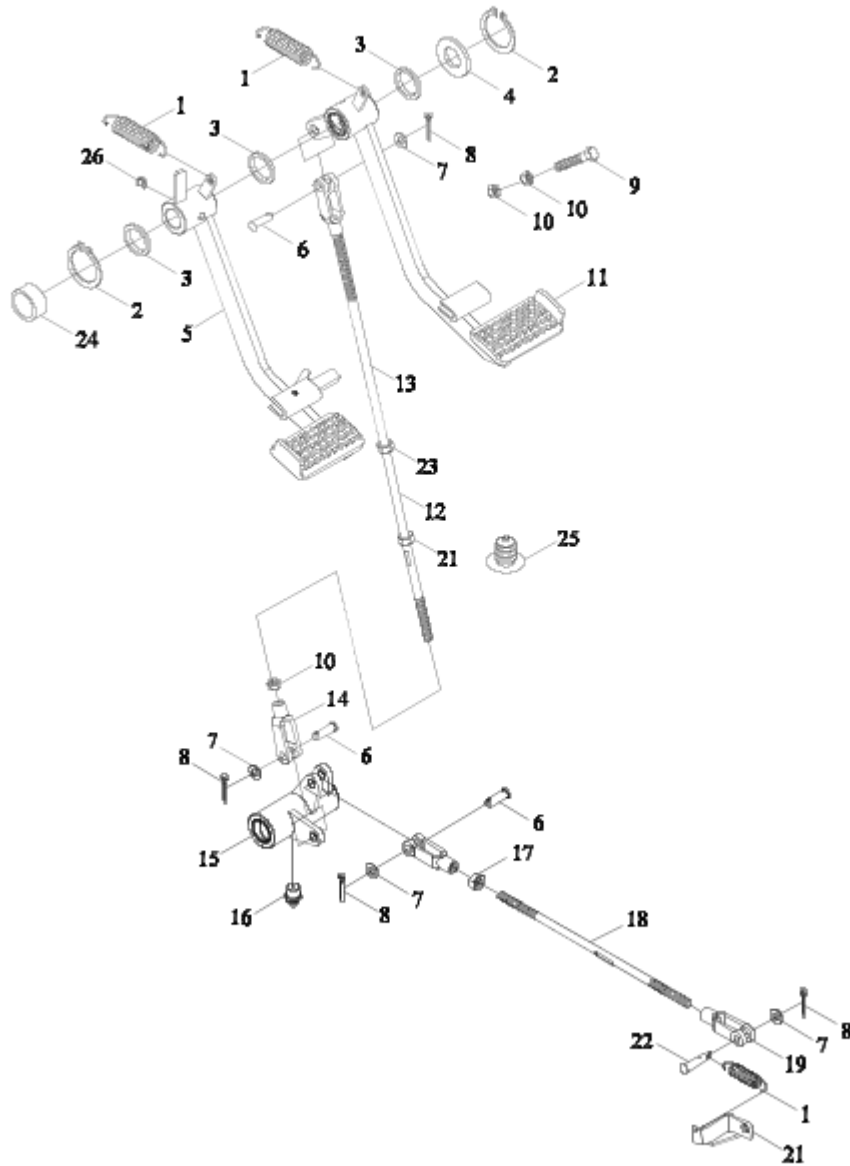
TB504. 432B RIGHT BRAKE ASSEMBLY



TB504. 432B RIGHT BRAKE ASSEMBLY

No.	Part No.	Description	Ver- sion	QTY.	Remark
	TB504.432B	RIGHT BRAKE ASSEMBLY		1	
1	TB504.432B.1	RIGHT CRANK UNIT		1	
2	GBT3452.1-20.0X2.65G	RUBBER O-SEAL RING		1	
3	FT300.43.107	SPACER BUSH		1	
4	FT300.43.106	DIAL BLOCK		1	
5	FT300.43.013	RIGHT BRAKE HOUSING ASSEMBLY		1	
5.1	FT300.43.122	RIGHT BRAKE HOUSING		1	
5.2	FT300.43.114	CRANK SHAFT BUSH		1	
6	GBT3452.1-18.0X2.65G	RUBBER O-SEAL RING		1	
7	FT300.43.109a	WASHER		1	
8	GBT894.1-18	CIRCLIP FOR SHAFT		1	
9	JBT982-12	COMBINED SEAL GASKET		1	
10	FT300.43.154	SCREW PLUG		1	
12	TB450.431.1	BRAKE FRICTION PLATE ASSEMBLY		2	
13	FT300.43.105	SPACER PLATE		1	
14	FT300.43.104	RIGHT BRAKE PLATEN		1	
15	GBT308-18-G100-b	STEEL BALL		6	
16	FT300.43.102	BOWL PLUG		6	

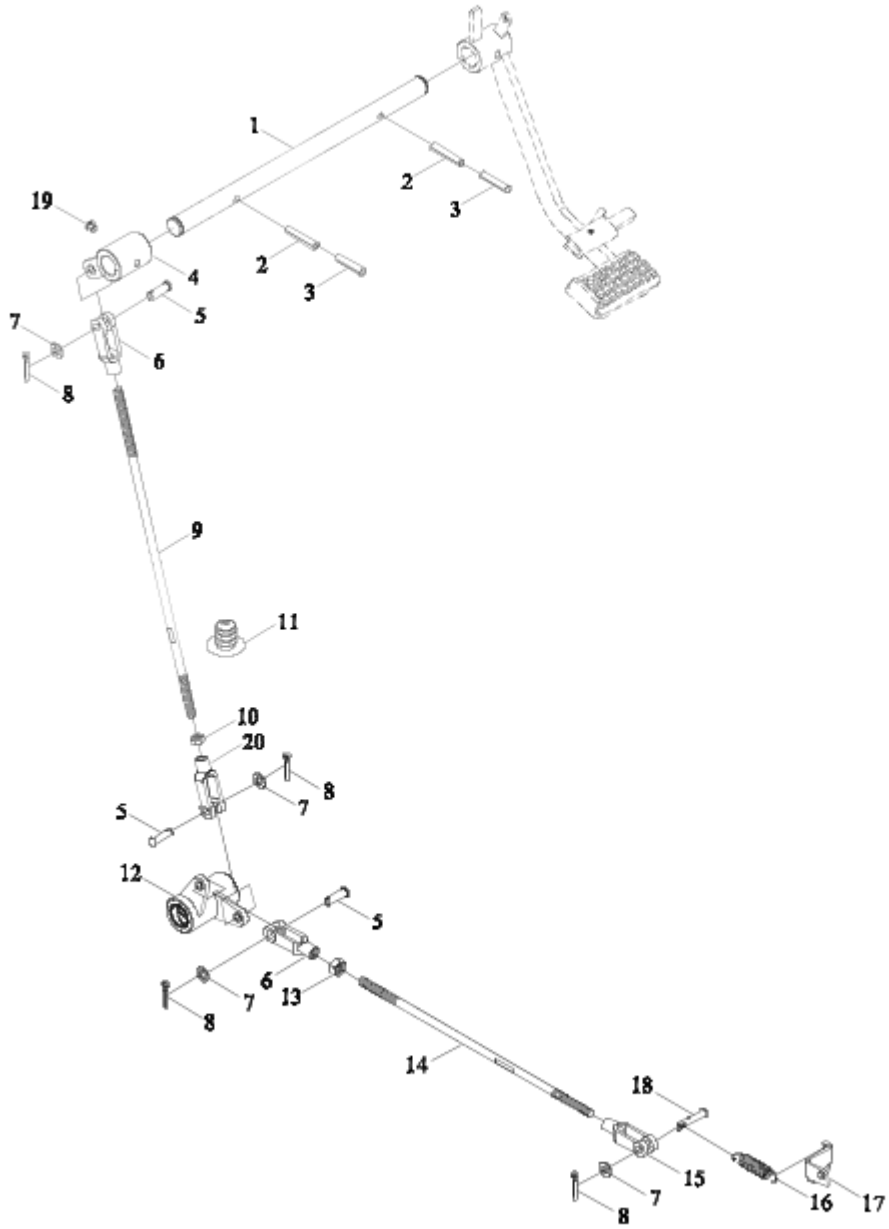
TS04433010000K BRAKE SYSTEM CONTROL ASSEMBLY-1



TS04433010000K BRAKE SYSTEM CONTROL ASSEMBLY-1

No.	Part No.	Description	Version	QTY.	Remark
	TS04433010000K	BRAKE SYSTEM CONTROL ASSEMBLY		1	
1	TE250.212D-05	CLUTCH PEDAL RETURN SPRING		3	
2	GBT894.1-25	CIRCLIP FOR SHAFT		2	
3	GBT97.1-24-A0P	FLAT WASHER		1	
4	TE250.433C-02	GASKET		7	
5	TB604.433E.1	LEFT BRAKE PEDAL UNIT		1	
6	GBT882-B10X30-A0P	PIN SHAFT		4	
7	GBT97.1-10-A0P	FLAT WASHER		4	
8	GBT91-3.2X22-A0P	SPLIT PIN		4	
9	GBT5783-M10X45-8.8-A3L	HEXAGON BOLT		2	
10	GBT6170-M10-8-A3L	HEXAGON NUT, TYPE-1		4	
11	TB604.433E.2	RIGHT BRAKE PEDAL UNIT		1	
12	TE354.433-03	CONNECTING ROD		2	
13	TB604.212.5	UPPER PULL ROD WELDMENT		2	
14	TB604.433E.10	LOWER PULL ROD WELDMENT		2	
15	TB604.433E.5	ROCKER UNIT HUB		1	
16	JBT7940.1-M8X1	STRAIGHT FORCED FILLING OIL CUP		3	
17	GBT6170-M10-LH-8-A3L	HEXAGON NUT, TYPE-1		1	
18	TB604.433E-03	LOWER PULL ROD		1	
19	TA700.431A-01	DEXTROROTATION LONG HOLE CONNECT FORK		1	
21	TB704.433.5	RIGHT RETURN SPRING CONNECTING PLATE WELDMENT		1	
22	TB704.433-04	CONNECTING PIN		1	
23	GBT6171-M12X1.5-LH-8-A3L	HEXAGON NUT, TYPE-1		2	
24	TS04433010011	SPACER BUSH		1	
25	TB604.433E-06	DUSTPROOF SLEEVE		1	
26	TD800.311C.1-01	DUSTPROOF CAP OF OIL CUP		1	

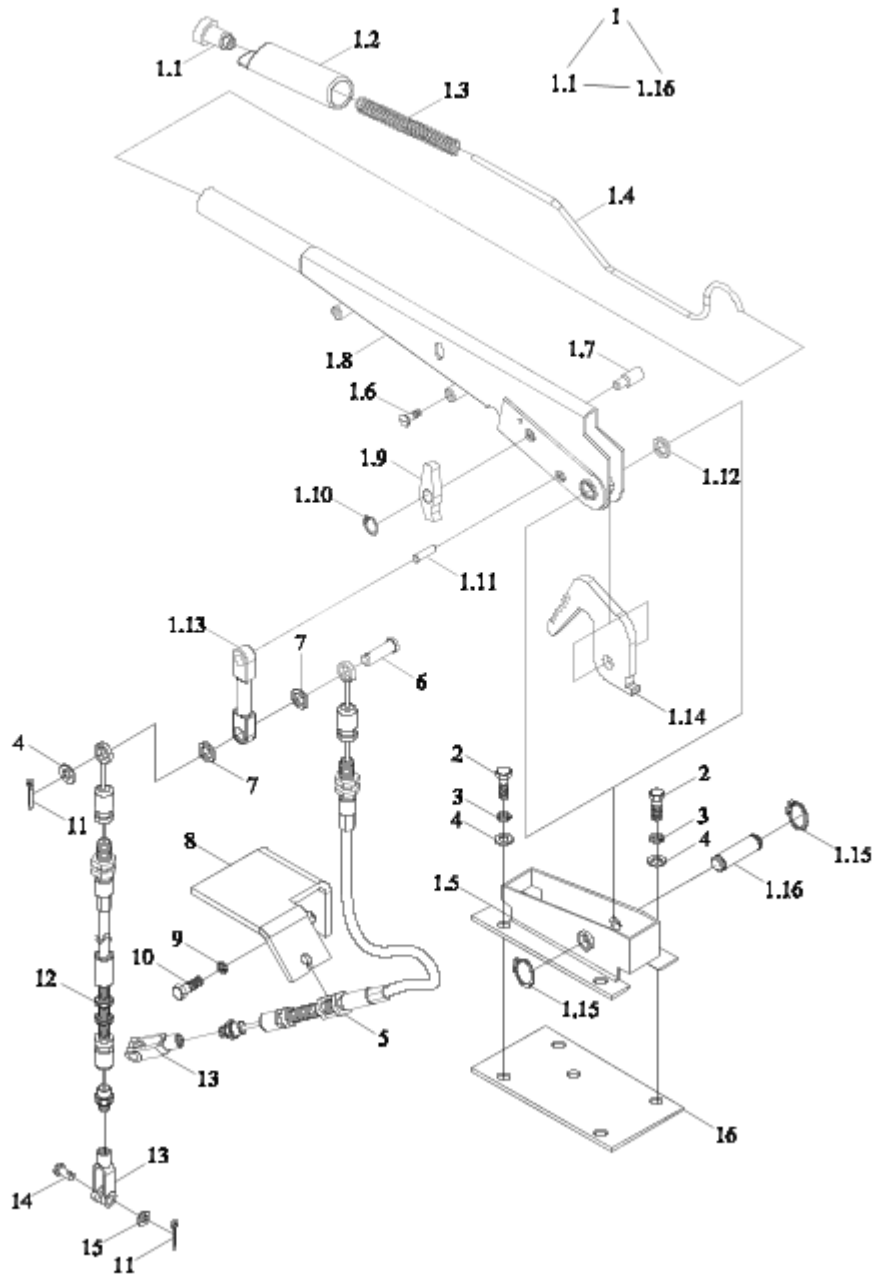
TS04433010000K BRAKE SYSTEM CONTROL ASSEMBLY-2



TS04433010000K BRAKE SYSTEM CONTROL ASSEMBLY-2

No.	Part No.	Description	Version	QTY.	Remark
	TS04433010000K(2)	BRAKE SYSTEM CONTROL ASSEMBLY		1	
1	TB604.433E-01	SUPPORT SHAFT		1	
2	GBT879.1-5X40	SPRING COLUMN PIN		2	
3	GBT879.1-8X40	SPRING COLUMN PIN		2	
4	TB604.433E.3	LEFT DRAW ARM WELDMENT		1	
5	GBT882-B10X30-A0P(2)	PIN SHAFT		3	
6	FT300.43.110	PULL ROD REAR FORK		2	
7	GBT97.1-10-A0P(2)	FLAT WASHER		4	
8	GBT91-3.2X22-A0P(2)	SPLIT PIN		4	
9	TE354.433-03(2)	CONNECTING ROD		1	
10	GBT6170-M10-8-A3L(2)	HEXAGON NUT, TYPE-1		1	
11	TB604.433E-06(2)	DUSTPROOF SLEEVE		1	
12	TB604.433E.4	ROCKER UNIT HUB		1	
13	GBT6170-M10-LH-8-A3L(2)	HEXAGON NUT, TYPE-1		1	
14	TB604.433E-03(2)	LOWER PULL ROD		1	
15	TA700.431A-01(2)	DEXTROROTATION LONG HOLE CONNECT FORK		1	
16	TE250.212D-05(2)	CLUTCH PEDAL RETURN SPRING		1	
17	TB704.433.6	LEFT RETURN SPRING CONNECTING PLATE WELDMENT		1	
18	TB704.433-04(2)	CONNECTING PIN		1	
19	TD800.311C.1-01(2)	DUSTPROOF CAP OF OIL CUP		1	
20	FT300.43.108	PULL ROD FRONT FORK		2	

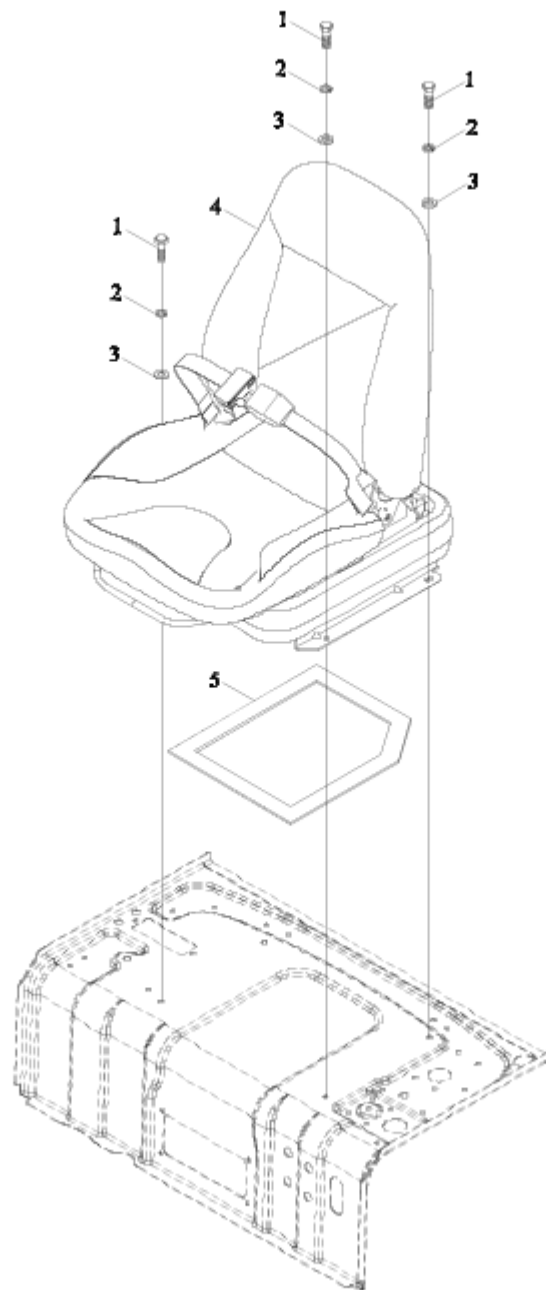
TS04433010000K BRAKE SYSTEM CONTROL ASSEMBLY-3



TS0443301000K BRAKE SYSTEM CONTROL ASSEMBLY-3

No.	Part No.	Description	Ver- sion	QTY.	Remark
	TS0443301000K(3)	BRAKE SYSTEM CONTROL ASSEMBLY		1	
1	TS04433010001	CONTROLLING HANDLE ASSEMBLY		1	
2	GBT5783-M8X20-8.8-A2L	HEXAGON BOLT		4	
3	GBT93-8-A0P	STANDARD SPRING WASHER		4	
4	GBT97.1-8-A0P	FLAT WASHER		5	
5	TS04433010006	RIGHT BRAKE PULL WIRE ASSEMBLY		1	
6	GBT882-B8X40-A0P	PIN SHAFT		1	
7	TB604.433E-04	SMALL RETAINER RING		2	
8	TB604.433E.6	LEFT PULL WIRE SUPPORT SEAT WELDMENT		1	
9	GBT93-10-A0P	STANDARD SPRING WASHER		2	
10	GBT5783-M10X20-8.8-A3L	HEXAGON BOLT		2	
11	GBT91-3.2X22-A0P(3)	SPLIT PIN		2	
12	TS04433010007	LEFT BRAKE WIRE ASSEMBLY		1	
13	TA700.431A-01(3)	DEXTROROTATION LONG HOLE CONNECT FORK		2	
14	GBT882-B10X30-A0P(3)	PIN SHAFT		2	
15	GBT97.1-10-A0P(3)	FLAT WASHER		2	
16	TS04433010002	DUSTPROOF MAT		1	

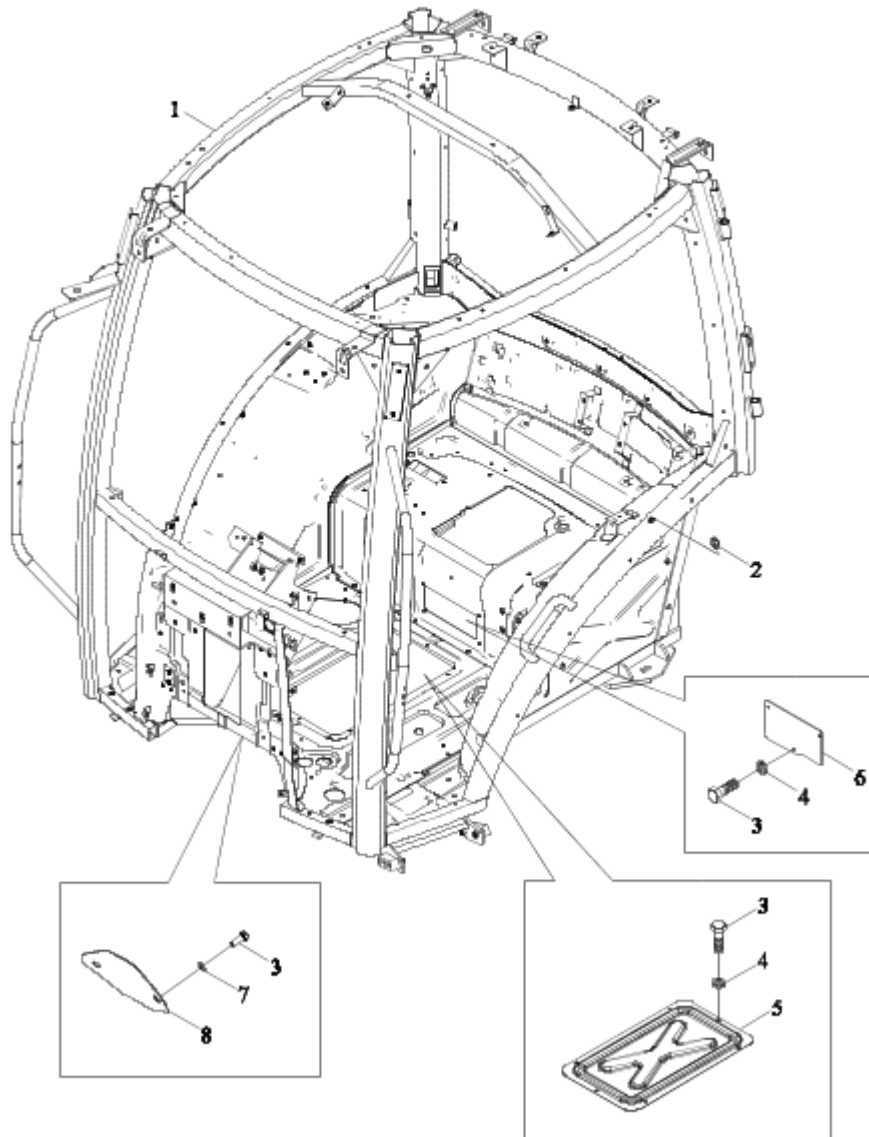
TS04441010000 SEAT INSTALLATION ASSEMBLY



TS04441010000 SEAT INSTALLATION ASSEMBLY

No.	Part No.	Description	Version	QTY.	Remark
	TS04441010000	SEAT INSTALLATION ASSEMBLY		1	
1	GBT5783-M8X25-8.8-A2L	HEXAGON BOLT		4	
2	GBT93-8-A0P	STANDARD SPRING WASHER		4	
3	GBT95-8-A0P	FLAT WASHER		4	
4	TS04441010001	SEAT ASSEMBLY		1	
5	TS04441010002	SEAT SEAL COTTON		1	

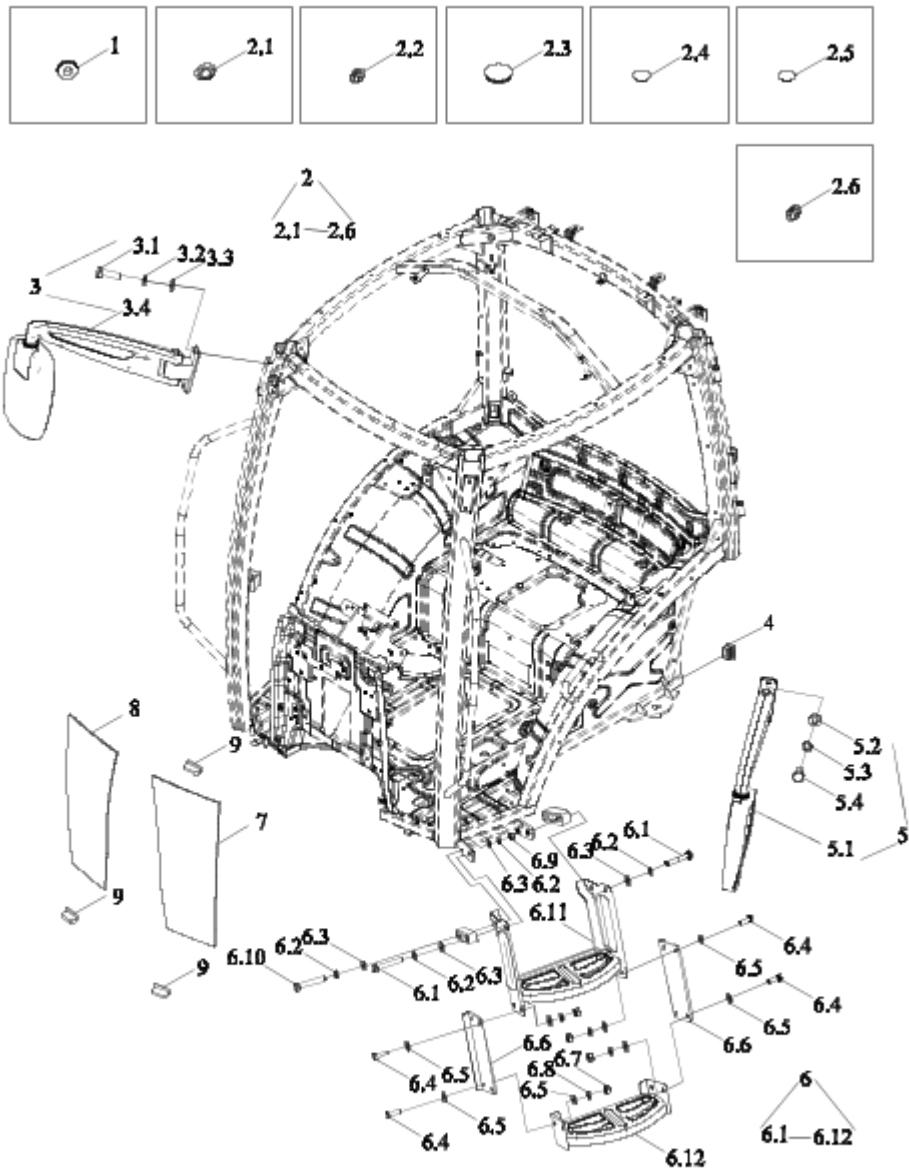
TS04451030000K DRIVER'S CAB ASSEMBLY-1



TS04451030000K DRIVER' S CAB ASSEMBLY-1

No.	Part No.	Description	Ver- sion	QTY.	Remark
	TS04451010001	CAB WELDMENT		1	
	TS04451030000K	DRIVER'S CAB ASSEMBLY		1	
1	TS04451011000	CAB WELDMENT		1	
2	TS06451011153	DOOR PNEUMATIC SPRING INSTALLATION SEAT		2	
3	GBT5783-M6X16-8.8-A2L	HEXAGON BOLT		11	
4	GBT93-6-A3L	STANDARD SPRING WASHER		11	
5	TS04451012001	BONNET		1	
6	TS04451012005	REAR FLOOR COVER		1	
7	GBT97.1-6-A3L	FLAT WASHER		2	
8	TS04451012002	COVER PLATE		1	

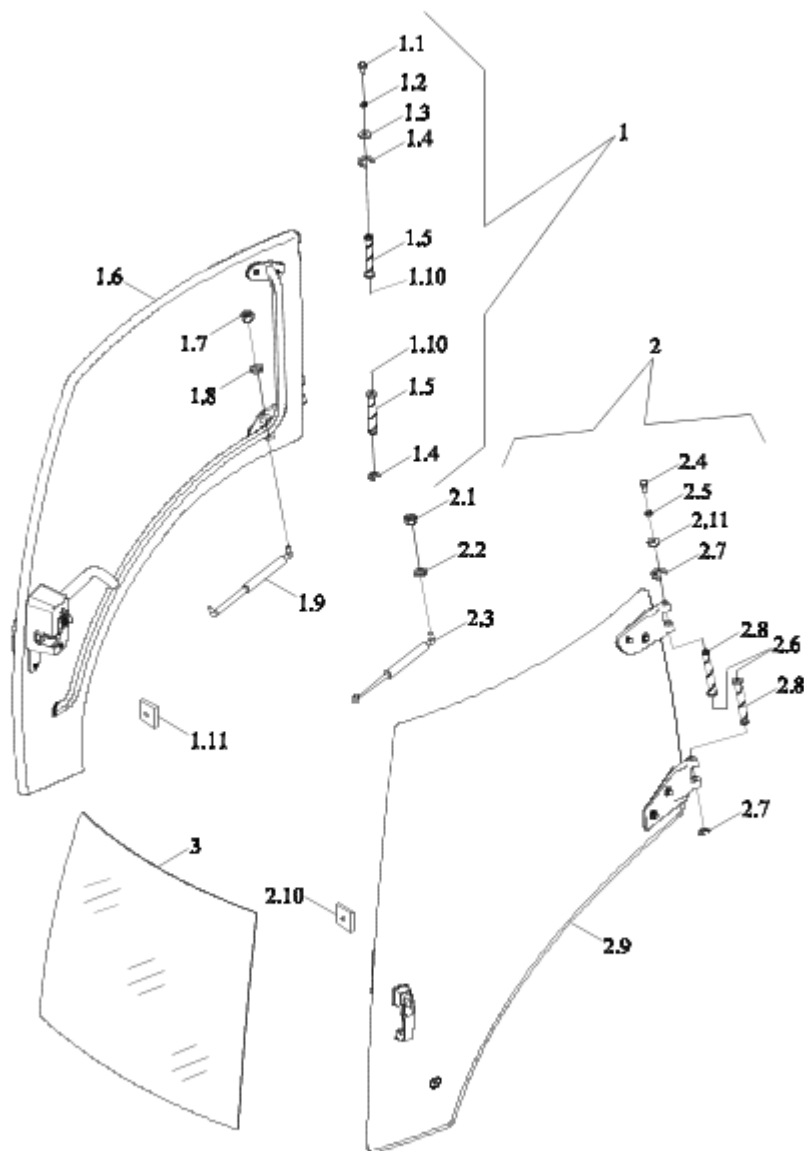
TS04451030000K DRIVER'S CAB ASSEMBLY-2



TS0445103000K DRIVER' S CAB ASSEMBLY-2

No.	Part No.	Description	Ver- sion	QTY.	Remark
	TS04451030002K	CAB ACCESSORY		1	
	TS04451030000K(2)	DRIVER'S CAB ASSEMBLY		1	
1	FT65.48.093	RUBBER RING-1		4	
2	TS04451030003K	CAB SEAL		1	
2.1	TS04451010020	PLUG COVER		2	
2.2	TS06451019001	PROCESS PLUG COVER 1		14	
2.3	TD800.452-13	PLUG COVER		4	
2.4	TS06451019002	PROCESS PLUG COVER 2		4	
2.5	TS06451019004	PROCESS PLUG COVER 4		1	
2.6	TS06451019003	PROCESS PLUG COVER 3		6	
3	TS06451018201	RIGHT REAR MIRROR IN- STALLATION ASSEMBLY		1	
4	TS04451010010	PLUG COVER		2	
5	TS06451018101	LEFT REAR VIEW MIRROR INSTALLATION ASSEMBLY		1	
6	TS04451017000	LEFT LADDER		1	
7	TS04451015002	LEFT FRONT LOWER WIN- DOW GLASS		1	
8	TS04451015003	RIGHT FRONT LOWER WINDOW GLASS		1	
9	TS06451011269	GLASS MOUNTINGS MAT		4	

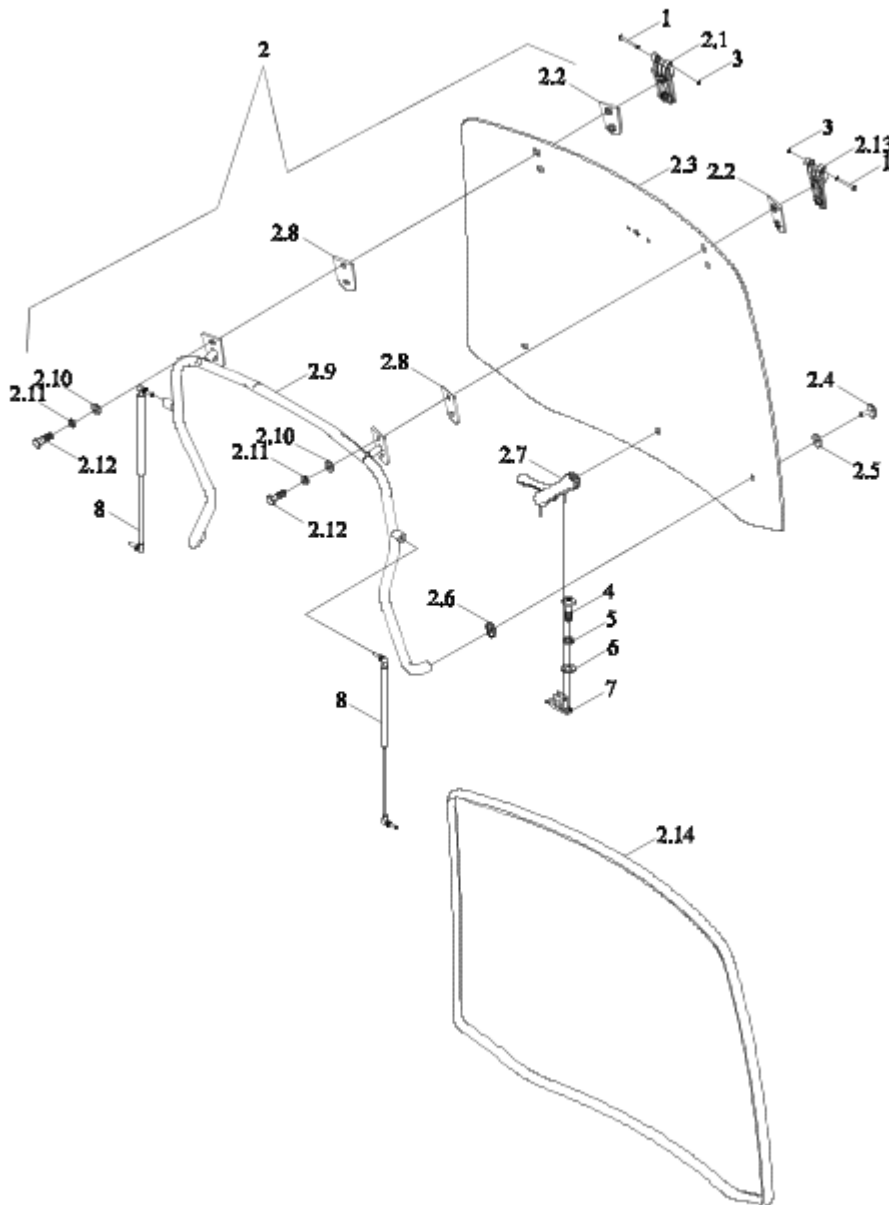
TS04451030000K DRIVER'S CAB ASSEMBLY-3



TS04451030000K DRIVER' S CAB ASSEMBLY-3

No.	Part No.	Description	Ver- sion	QTY.	Remark
	TS04451030000K(3)	DRIVER'S CAB ASSEMBLY		1	
	TS04451030002K(2)	CAB ACCESSORY		1	
1	TS04451014000	RIGHT DOOR ASSEMBLY		1	
1.1	GBT5783-M6X12-8.8	HEXAGON BOLT		1	
1.2	GBT93-6-O	STANDARD SPRING WASHER		1	
1.3	GBT96.1-6	BIG WASHER		1	
1.4	GBT896-12	SPLIT RETAINER RING		2	
1.5	TS06451013002	DOOR LOCK PIN SHAFT		2	
1.6	TS04451014100	RIGHT DOOR		1	
1.7	GBT6170-M8-8-A2L	HEXAGON NUT, TYPE-1		1	
1.8	GBT93-8-A0P(4)	STANDARD SPRING WASHER		2	
1.9	TD904.451C.2-12	DOOR PNEUMATIC SPRING		1	
1.10	JBT7940.1-M6	STRAIGHT FORCED FILL- ING OIL CUP		2	
1.11	TS04451013002	DOOR LOCK NUT SEAT		1	
2	TS04451013000	LEFT DOOR ASSEMBLY		1	
2.1	GBT6170-M8-8-A2L(2)	HEXAGON NUT, TYPE-1		1	
2.2	GBT93-8-A0P(5)	STANDARD SPRING WASHER		2	
2.3	TD904.451C.2-12(2)	DOOR PNEUMATIC SPRING		1	
2.4	GBT5783-M6X12-8.8(2)	HEXAGON BOLT		1	
2.5	GBT93-6-O(2)	STANDARD SPRING WASHER		1	
2.6	JBT7940.1-M6(2)	STRAIGHT FORCED FILL- ING OIL CUP		2	
2.7	GBT896-12(2)	SPLIT RETAINER RING		2	
2.8	TS06451013002(2)	DOOR LOCK PIN SHAFT		2	
2.9	TS04451013100	LEFT DOOR		1	
2.10	TS04451013002(2)	DOOR LOCK NUT SEAT		1	
2.11	GBT96.1-6(2)	BIG WASHER		1	
3	TS04451015001	FRONT WINDSHIELD		1	

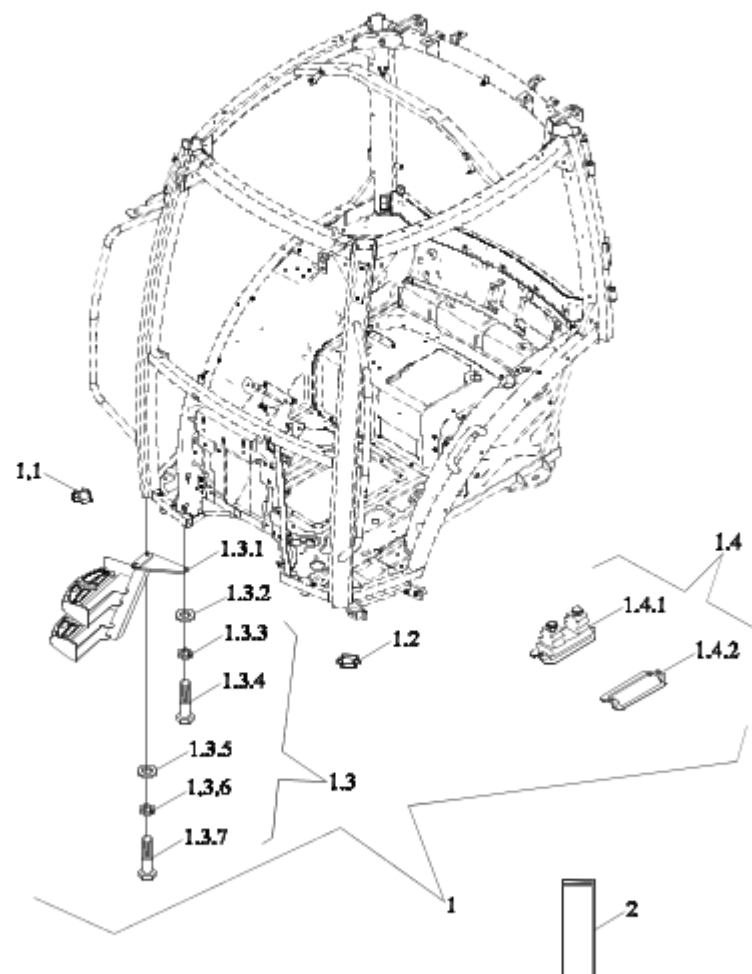
TS04451030000K DRIVER'S CAB ASSEMBLY-4



TS04451030000K DRIVER' S CAB ASSEMBLY-4

No.	Part No.	Description	Ver- sion	QTY.	Remark
	TS04451030000K(4)	DRIVER' S CAB ASSEMBLY		1	
	TS04451030002K(3)	CAB ACCESSORY		1	
	TS04451046000	REAR WINDOW ASSEMBLY		1	
1	TS06451016004	BACK WINDOWS HINGED PIN SHAFT		2	
2	TS04451046100	BACK WIND WINDOWS		1	
2.1	TS04451046111	BACK WINDOWS RIGHT HINGED SEAT		1	
2.2	TS06451016112	BACK WINDOWS HINGED OUT PAD BOARD		2	
2.3	TS04451016101	BACK WIND WINDOW GLASS		1	
2.4	TS04451013106	CAST BOLT		2	
2.5	TD904.451C.2-10	GLASS OUT WASHER		2	
2.6	TD904.451C.2-09	GLASS IN WASHER		2	
2.7	TS06451016109	HANDLE ASSEMBLY		1	
2.8	TS04451046113	BACK WINDOWS HINGED INTO PAD BOARD		2	
2.9	TS04451016102	REAR WINDOW ARMREST WELDMENT		1	
2.10	GBT97.1-8-A0P(4)	FLAT WASHER		4	
2.11	GBT93-8-A0P(6)	STANDARD SPRING WASHER		4	
2.12	GBT5783-M8X25-8.8-A2L	HEXAGON BOLT		4	
2.13	TS04451046110	BACK WINDOWS LEFT HINGED SEAT		1	
2.14	TS04451016108	REAR WINDOW SEAL STRIP		1	
3	GBT896-6	SPLIT RETAINER RING		2	
4	GBT818-M6x20-4.8	CROSS SCREW		2	
5	GBT93-6-A0P	STANDARD SPRING WASHER		2	
6	GBT97.1-6-A0P	FLAT WASHER		2	
7	TS06451016003	SEAT		1	
8	TS06451016001	REAR WINDOW PNEU- MATIC SPRING		2	

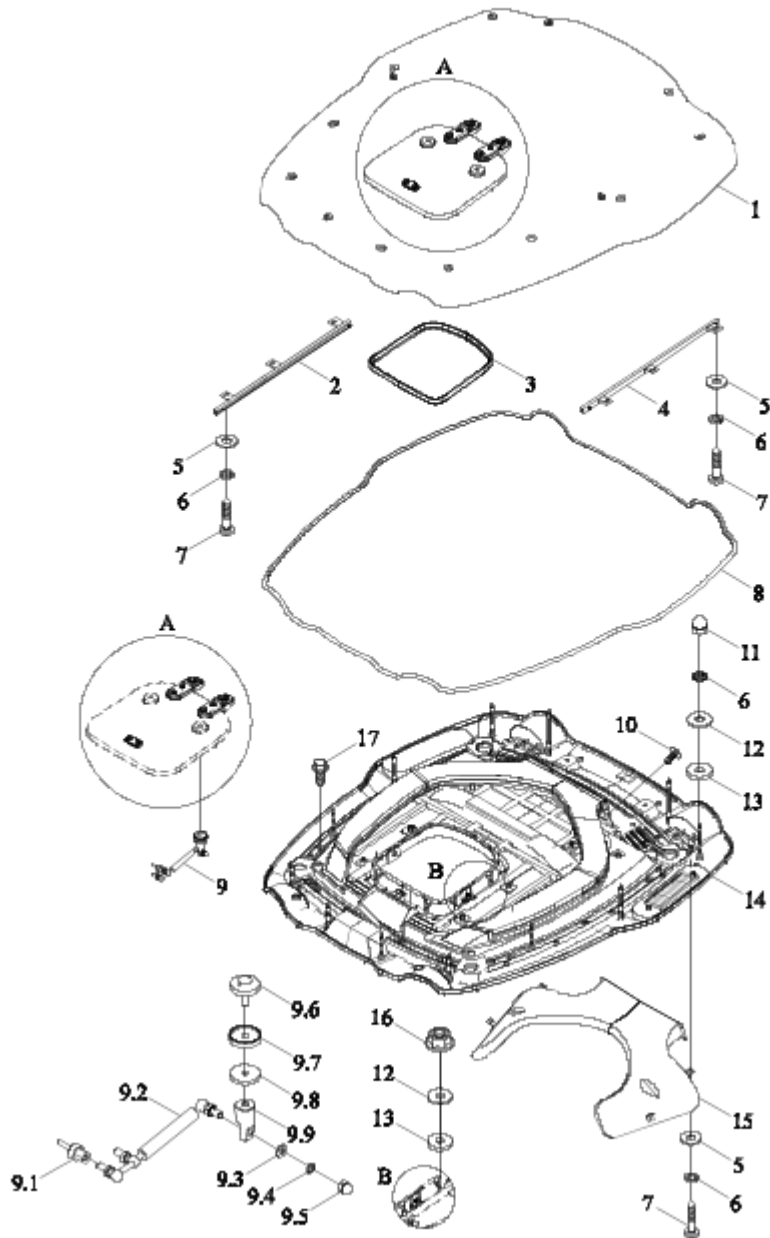
TS0445103000K DRIVER'S CAB ASSEMBLY-5



TS04451030000K DRIVER' S CAB ASSEMBLY-5

No.	Part No.	Description	Ver- sion	QTY.	Remark
	TS04451030000K(5)	DRIVER'S CAB ASSEMBLY		1	
1	TS04451030002K(4)	CAB ACCESSORY		1	
1.1	TS06811010009	GUARD RING 2		1	
1.2	TS06811010008	GUARD RING 1		1	
1.3	TS04451017500	RIGHT LADDER		1	
1.4	TS04451010040	HANDLE BONNET		1	
2	TS04451030001K	EC NAMEPLATE CAB		1	

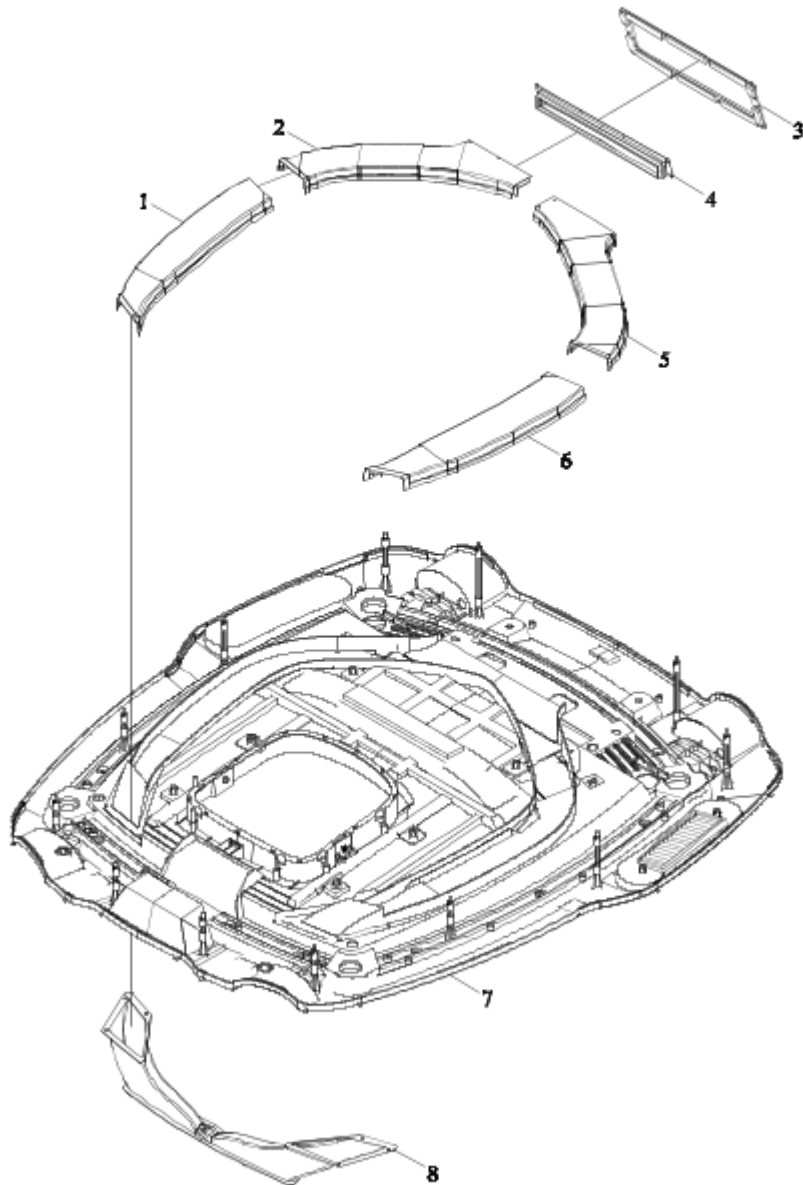
TS04451030000K DRIVER'S CAB ASSEMBLY-6



TS04451030000K DRIVER' S CAB ASSEMBLY-6

No.	Part No.	Description	Ver- sion	QTY.	Remark
	TS04451030000K(6)	DRIVER'S CAB ASSEMBLY		1	
	TS04453015000	TOP COVER ASSEMBLY		1	
1	TS04453015100	OUT TOP		1	
2	TS06453015800	RIGHT SLIDEWAY		1	
3	TS04453015400	SEAL STRIP		1	
4	TS06453015700	LEFT SLIDEWAY		1	
5	GBT96.1-6-A3L	BIG WASHER		28	
6	GBT93-6-A3L(2)	STANDARD SPRING WASHER		26	
7	GBT818-M6X20-4.8-A2L	CROSS SCREW		14	
8	TS04453015500	TOP SEAL STRIP		1	
9	TS06453015600	PNEUMATIC SPRING IN- STALLATION ASSEMBLY		2	
9.1	TS06453015602	INSTALLATION SEAT 1		1	
9.2	TS06453015601	PNEUMATIC SPRING		1	
9.3	GBT97.1-8	FLAT WASHER		1	
9.4	GBT93-8-O	STANDARD SPRING WASHER		1	
9.5	GBT923-M8-5	CAP NUT		1	
9.6	TS06453015604	BOLT		1	
9.7	TS06453015605	FIXING SLEEVE OUT MAT		1	
9.8	TS06453015606	FIXING SLEEVE IN MAT		1	
9.9	TS06453015603	INSTALLATION SEAT 2		1	
10	Q69208	PLASTIC SPLIT PIN		2	
11	GBT923-M6-A1-50	NUT		12	
12	GBT97.1-6-A3L(2)	FLAT WASHER		4	
13	TS06453015001	SEAL GASKET		18	
14	TS04453015200	INNER TOP AIR CONDITION		1	
15	TS04453015320	LOWER WIND WAY		1	
16	GBT6177.1-M6-8-A2L	HEXAGON FLANGE NUT		6	
17	GBT16674.1-M6X20-8.8-O	HEXAGON FLANGE NUT		16	

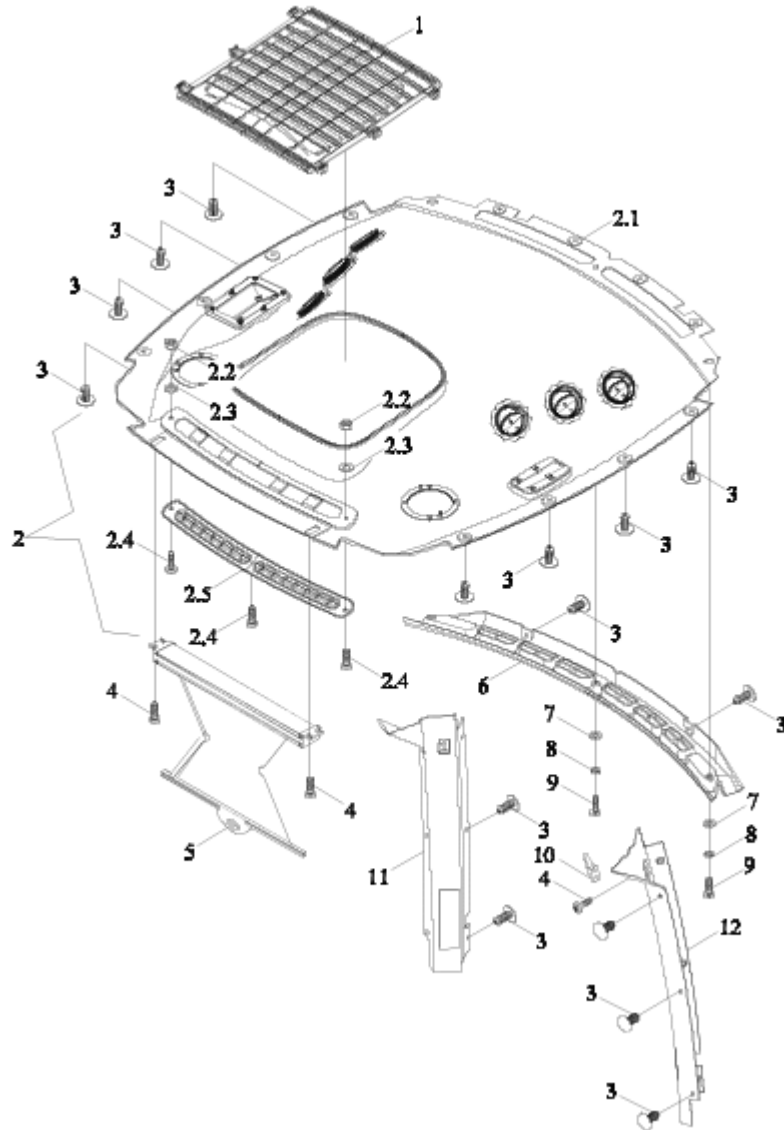
TS04451030000K DRIVER'S CAB ASSEMBLY-7



TS04451030000K DRIVER' S CAB ASSEMBLY-7

No.	Part No.	Description	Ver- sion	QTY.	Remark
	TS04451030000K(7)	DRIVER'S CAB ASSEMBLY		1	
	TS04453015200(2)	INNER TOP AIR CONDITION		1	
1	TS04453015314	DEFROST WIND PIPE RIGHT FRONT		1	
2	TS04453015315	DEFROST WIND PIPE RIGHT BACK		1	
3	TS06453015330	WIND WAY CONNECTING PLATE WELDMENT		1	
4	TS04453015316	DEFROST WIND WAY IN MOUTH		1	
5	TS04453015313	DEFROST WIND PIPE LEFT BACK		1	
6	TS04453015312	DEFROST WIND PIPE LEFT FRONT		1	
7	TS04453015201	INNER TOP AIR CONDITION		1	
8	TS04453015311	DEFROST WIND PIPE		1	

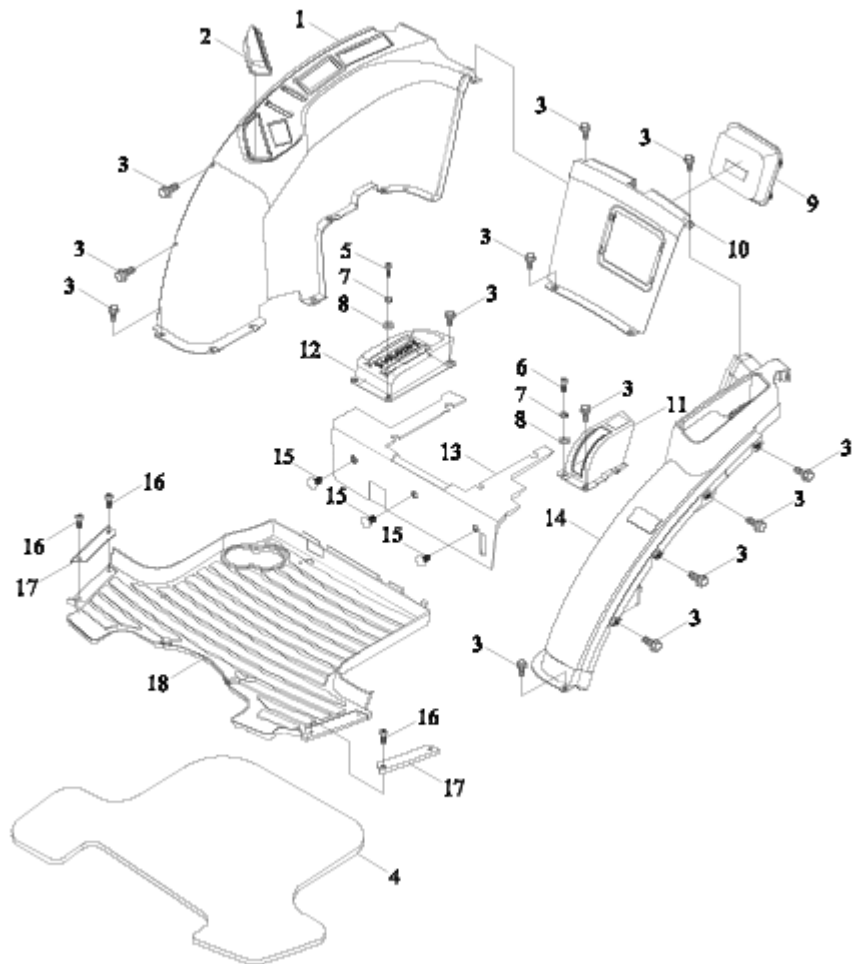
TS04453010000 UPHOLSTERY ASSEMBLY-1



TS04453010000 UPHOLSTERY ASSEMBLY-1

No.	Part No.	Description	Ver- sion	QTY.	Remark
	TS04453010000	UPHOLSTERY ASSEMBLY		1	
1	TS04453017000	SUNSHADE BOARD ASSEMBLY		1	
2	TS04453011000	TOP UPHOLSTERY		1	
2.1	TS04453011001	TOP UPHOLSTERY		1	
2.2	GBT6170-M6-8-O	HEXAGON NUT, TYPE-1		2	
2.3	GBT97.1-6-O	FLAT WASHER		2	
2.4	GBT818-M6X16-4.8-O	CROSS SCREW		2	
2.5	TS04453011002	DEFROST WIND MOUTH		1	
3	Q69208	PLASTIC SPLIT PIN		30	
4	GBT818-M5X25-4.8	CROSS SCREW		8	
5	TF1004.451.5-01	SHADOW CURTAIN		1	
6	TS04453016000	WIND MOUTH		1	
7	GBT96.1-6-O	BIG WASHER		3	
8	GBT93-6-O	STANDARD SPRING WASHER		3	
9	GBT818-M6X20-4.8-O	CROSS SCREW		3	
10	TS06453010002	CLOTHCAPHOOK		2	
11	TS04453013400	LEFT HOUSING		1	
12	TS04453013500	RIGHT HOUSING		1	

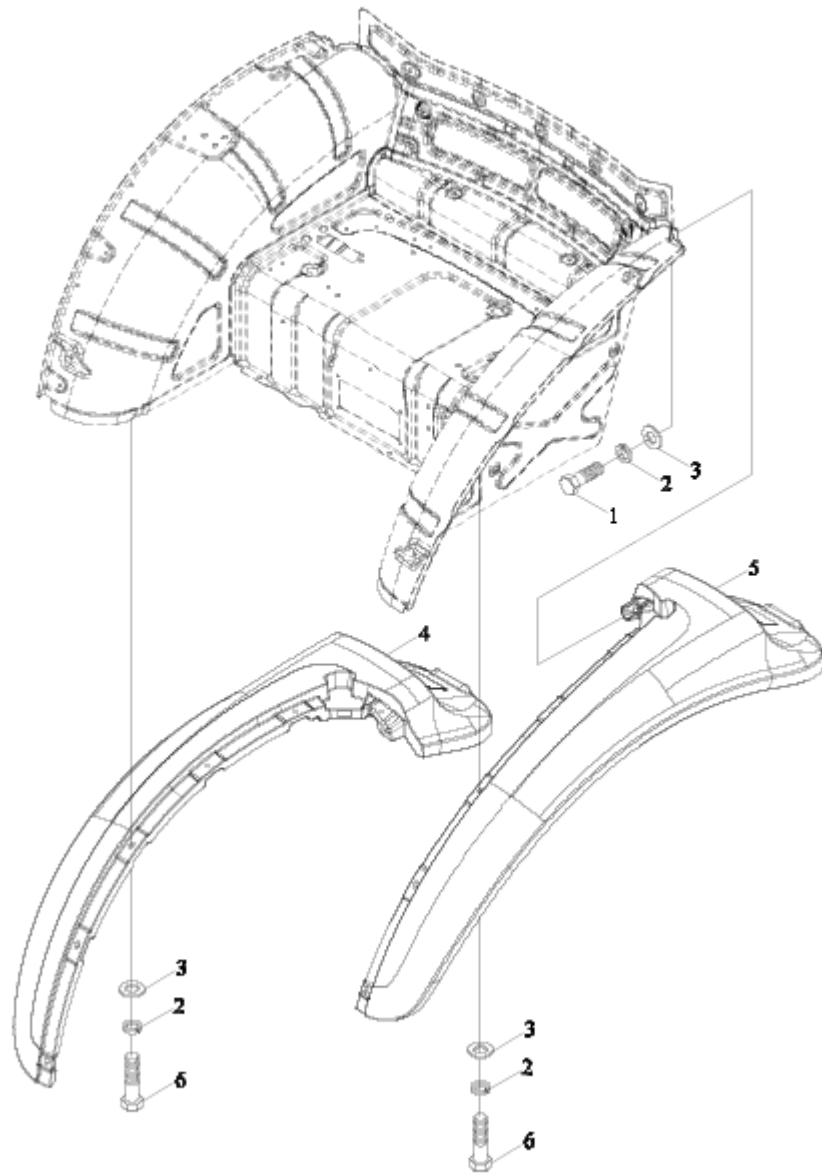
TS04453010000 UPHOLSTERY ASSEMBLY-2



TS04453010000 UPHOLSTERY ASSEMBLY-2

No.	Part No.	Description	Version	QTY.	Remark
1	TS04453013100	LEFT REAR MUD GUARD DECORATION PART		1	
2	TS04453013600	WATCH BONNET		1	
3	GBT16674.1-M6X20-8.8-O	HEXAGON FLANGE NUT		28	
4	TS04453012200	FLOOR MAT PEDAL		1	
5	GBT818-M6X25-4.8-O	CROSS SCREW		1	
6	GBT818-M6X35-4.8-O	CROSS SCREW		1	
7	GBT93-6-O(2)	STANDARD SPRING WASHER		2	
8	GBT96.1-6-O(2)	BIG WASHER		2	
9	TS04453013900	COVER		1	
10	TS04453013300	INTO UPHOLSTERY		1	
11	TS04453013700	PARKING BRAKE BONNET		1	
12	TS04453013800	AUXILIARY CLUTCH BONNET		1	
13	TS04453012100	MIDDLE FLOOR MAT		1	
14	TS04453013200	RIGHT REAR MUD GUARD DECORATION PART		1	
15	Q69208(2)	PLASTIC SPLIT PIN		2	
16	GBT819.2-M6X25-A2-70	CROSS SCREW		4	
17	TS06453014000	FLOOR MAT PRESSURE PLATE		2	
18	TS04453012000	FLOOR CUSHION		1	

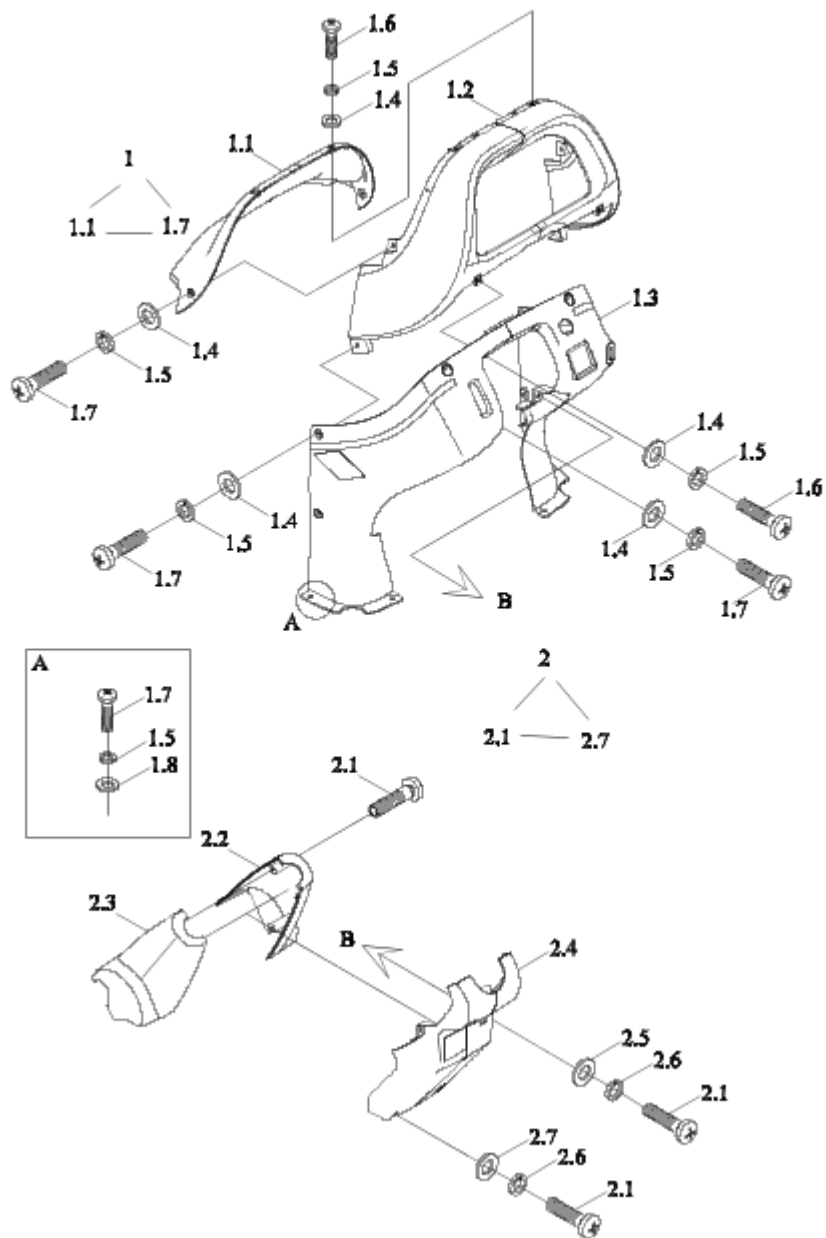
TS04455010000 BACK REAR MUD GUARD DECORATION PART



TS04455010000 BACK REAR MUD GUARD DECORATION PART

No.	Part No.	Description	Version	QTY.	Remark
	TS04455010000	BACK REAR MUD GUARD DECORATION PART		1	
1	GBT5783-M6X16-8.8-A2L	HEXAGON BOLT		2	
2	GBT93-6-O	STANDARD SPRING WASHER		14	
3	GBT96.1-6	BIG WASHER		14	
4	TS04455012000	RIGHT REAR MUD GUARD DECORATION PART		1	
5	TS04455011000	LEFT REAR MUD GUARD DECORATION PART		1	
6	GBT5783-M6X35-8.8-A2L	HEXAGON BOLT		12	

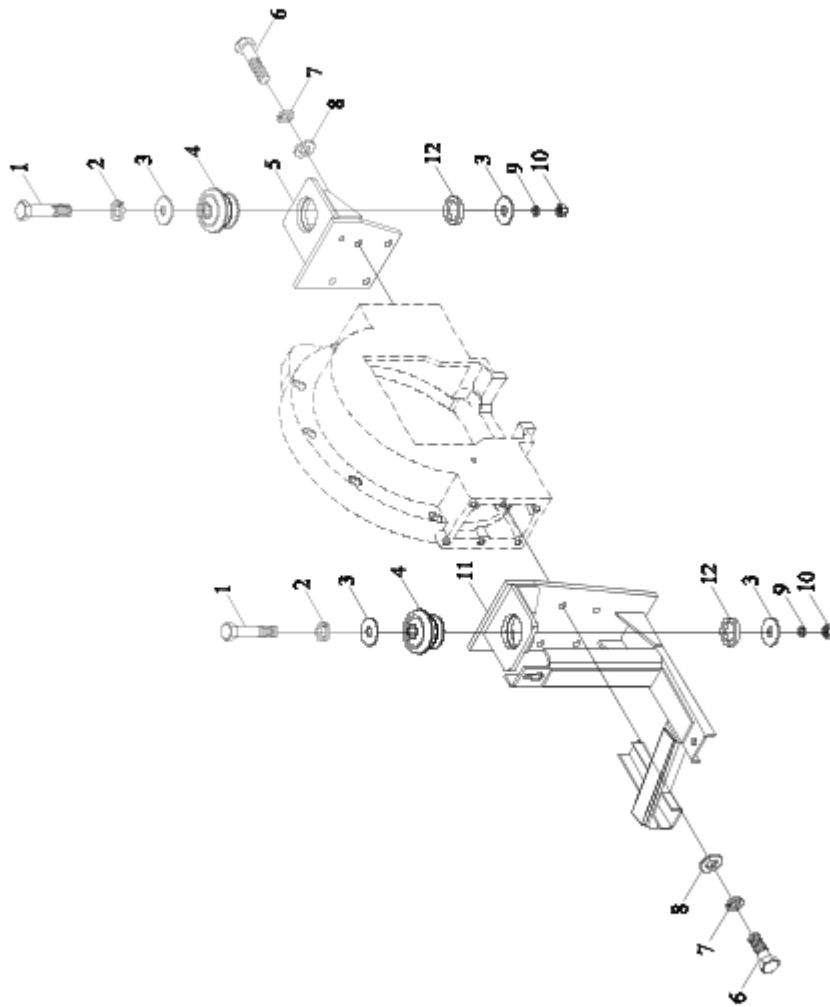
TS04456010000 DASHBOARD ASSEMBLY



TS04456010000 DASHBOARD ASSEMBLY

No.	Part No.	Description	Version	QTY.	Remark
	TS04456010000	DASHBOARD ASSEMBLY		1	
1	TS04456010001	DASHBOARD BOX		1	
1.1	TS04456010002	UPPER COVER		1	
1.2	TS04456010003	DASHBOARD MIDDLE COVER		1	
1.3	TS04456010004	LOWER COVER		1	
1.4	GBT97.1-6-O	FLAT WASHER		9	
1.5	GBT93-6-O	STANDARD SPRING WASHER		13	
1.6	GBT845-ST4.8X16-O	SCREW		4	
1.7	GBT818-M6X20-4.8-O	CROSS SCREW		13	
1.8	GBT96.1-6-O	BIG WASHER		4	
2	TS04456010005	STEERING GEAR HOUSING		1	
2.1	GBT818-M6X16-4.8-O	CROSS SCREW		6	
2.2	TS06456010008	STEERING GEAR RIGHT COVER PLATE		1	
2.3	TS06456010007	STEERING GEAR LEFT COVER PLATE		1	
2.4	TS04456010006	STEERING GEAR LOW COVER PLATE		1	
2.5	GBT97.1-6-O(2)	FLAT WASHER		2	
2.6	GBT93-6-O(2)	STANDARD SPRING WASHER		4	
2.7	GBT96.1-6-O(2)	BIG WASHER		2	

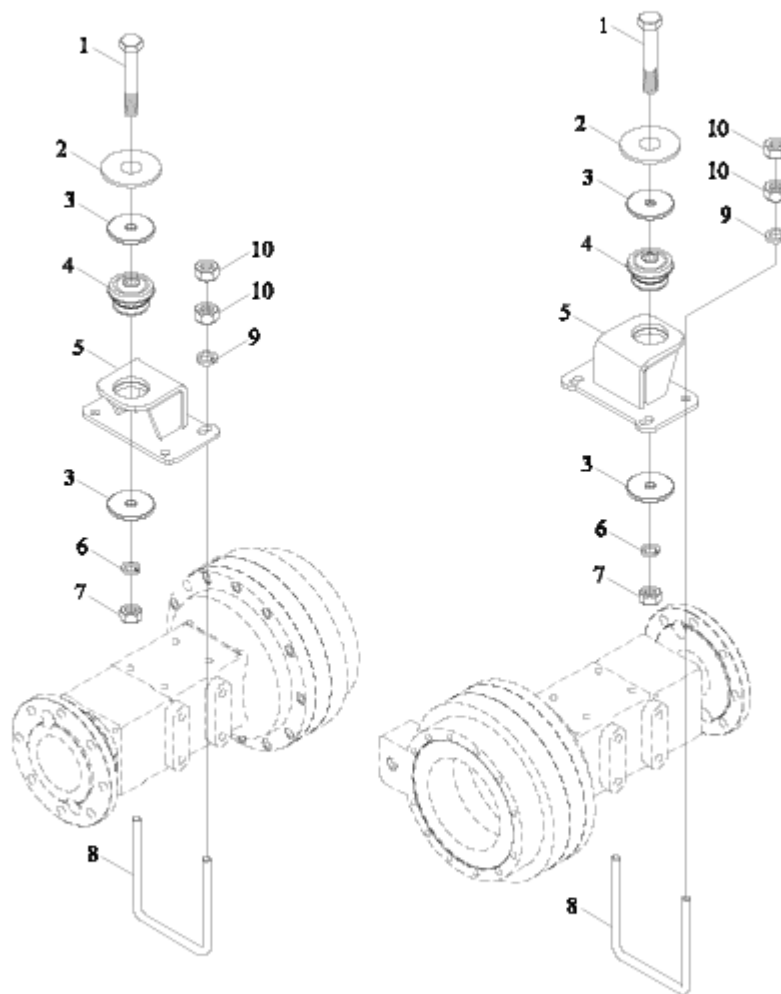
TS04457010000K FRONT CONNECTING ASSEMBLY



TS04457010000K FRONT CONNECTING ASSEMBLY

No.	Part No.	Description	Version	QTY.	Remark
	TS04457010000K	FRONTCONNECTINGASSEMBLY		1	
1	GBT5783-M16X90-10.9-A2L	HEXAGON BOLT		2	
2	GBT96.1-16-A0P	BIG WASHER		2	
3	TB400.457B-02	RETAINER RING		4	
4	TB400.457B-01	SHOCK ABSORBER		2	
5	TS04457040004	RIGHT FRONT CONNECTION WELDMENT		1	
6	GBT5783-M12X35-10.9-A3L	HEXAGON BOLT		10	
7	GBT93-12-A0P	STANDARD SPRING WASHER		10	
8	GBT97.1-12-A0P	FLAT WASHER		10	
9	GBT93-16-A0P	STANDARD SPRING WASHER		2	
10	GBT6170-M16-10-A3L	HEXAGON NUT, TYPE-1		2	
11	TS04457010001K	LEFT FRONT CONNECTION WELDMENT		1	
12	TS04457010023	RUBBER RING		2	

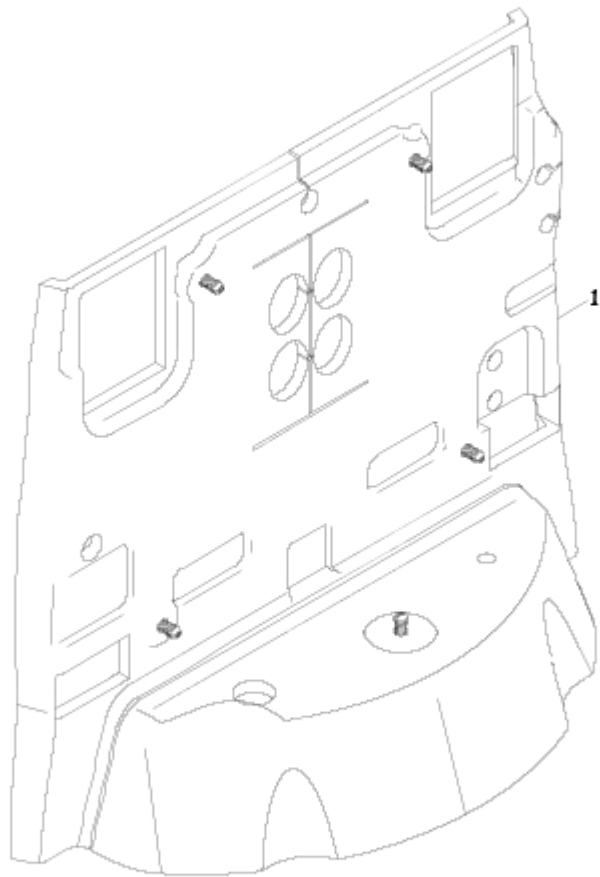
TS04458010000 REAR CONNECTING ASSEMBLY



TS04458010000 REAR CONNECTING ASSEMBLY

No.	Part No.	Description	Version	QTY.	Remark
	TS04458010000	REARCONNECTINGASSEMBLY		1	
1	GBT5783-M16X90-10.9-A2L	HEXAGON BOLT		2	
2	GBT96.1-16-A0P	BIG WASHER		2	
3	TB400.457B-02	RETAINER RING		4	
4	TB400.457B-01	SHOCK ABSORBER		2	
5	TS04458010001	REAR CONNECTING WELDMENT		2	
6	GBT93-16-A0P	STANDARD SPRING WASHER		2	
7	GBT6170-M16-10-A3L	HEXAGON NUT, TYPE-1		2	
8	FT400.46.350	U-BOLT		4	
9	GBT97.1-14-A0P	FLAT WASHER		8	
10	GBT6170-M14-8-A3L	HEXAGON NUT, TYPE-1		16	

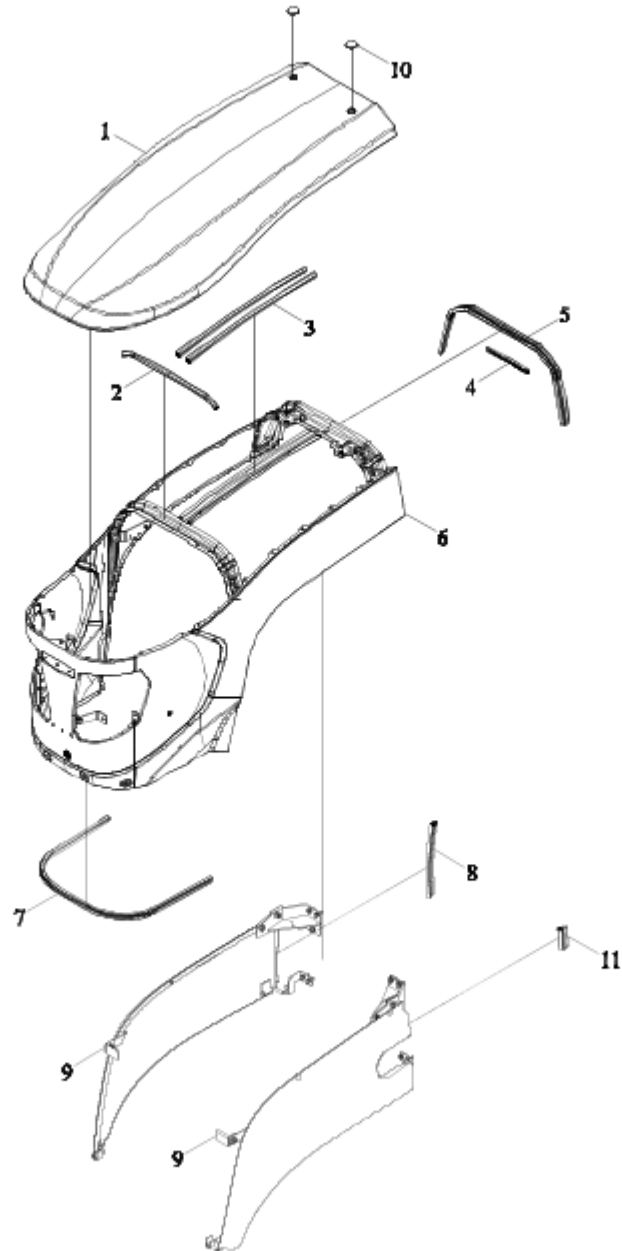
TS04459010000 INSULATION LAYER



TS04459010000 INSULATION LAYER

No.	Part No.	Description	Version	QTY.	Remark
1	TS04459010000	INSULATION LAYER		1	
	TS04459010001	INSULATIONLAYER		1	

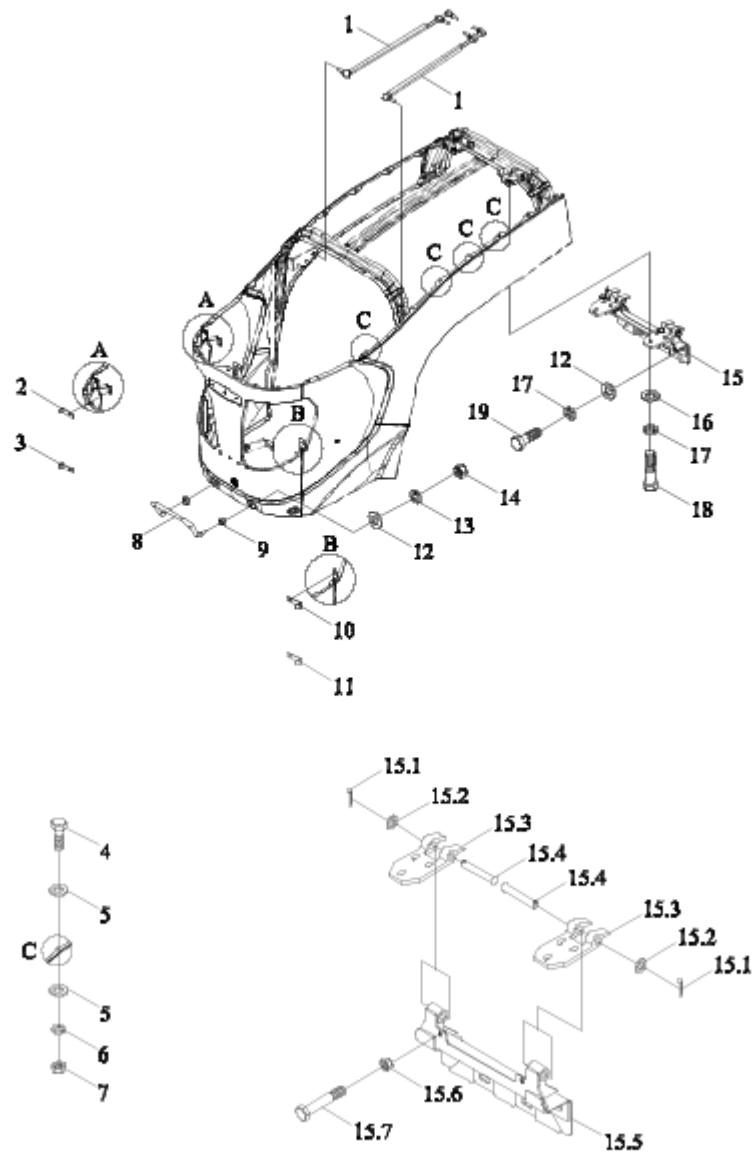
TS04471010000K BONNET ASSEMBLY-1



TS04471010000K BONNET ASSEMBLY-1

No.	Part No.	Description	Version	QTY.	Remark
	TS04471010000K	BONNET ASSEMBLY		1	
1	TS04471012001	BONNET UP COVER PLATE		1	
2	TS04471010007	FRONT SHOCK WASHER		1	
3	TS04471010004	MIDDLE SHOCK WASHER		2	
4	TS04471010008	BACK SHOCK RUBBER STRIP		1	
5	TS04471010001	BONNET REAR SEAL STRIP		1	
6	TS04471021000	BONNET WELDMENT ASSEMBLY		1	
7	TS04471010002	FRONT LOWER CUSHION RUBBER PIECE		1	
8	TS04471010009	SEAL STRIP		1	
9	TS04471014000K	LOWER SIDE PLATE		1	
10	TS06471010005	RUUBERPLUG		2	
11	TS04471010006K	LEFT BACK SEAL STRIP		1	

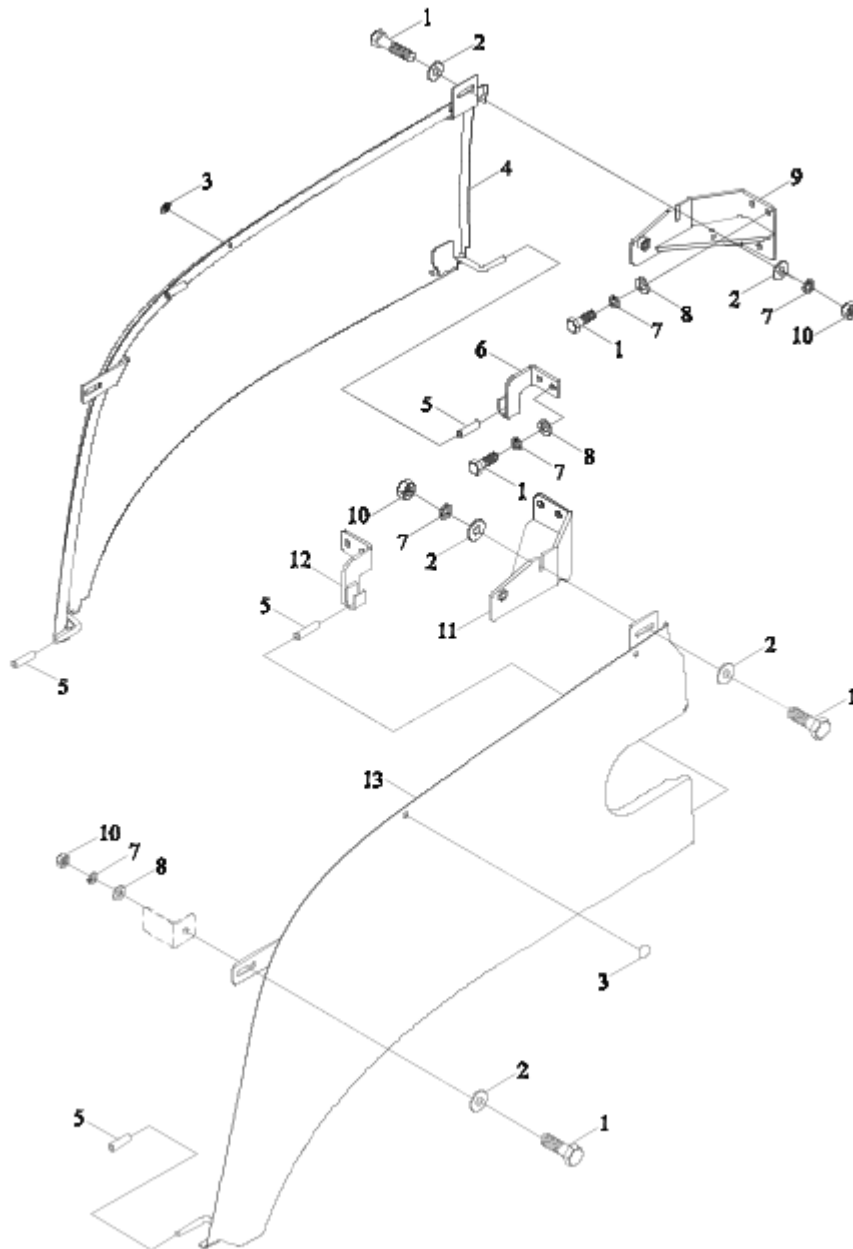
TS0447101000K BONNET ASSEMBLY-2



TS04471010000K BONNET ASSEMBLY-2

No.	Part No.	Description	Ver- sion	QTY.	Remark
	TS04471010000K(2)	BONNET ASSEMBLY		1	
1	TS04471019000	BONNET PNEUMATIC SPRING ASSEMBLY		2	
2	TS04471012004	SUPPORT PLATE		1	
3	TS04471012005	SUPPORT PLATE		1	
4	GBT5783-M6X16-8.8-A2L	HEXAGON BOLT		18	
5	GBT97.1-6-A0P	FLAT WASHER		36	
6	GBT93-6-A0P	STANDARD SPRING WASHER		18	
7	GBT6170-M6-8-A2L	HEXAGON NUT, TYPE-1		18	
8	TS04471010003	HANDLE		1	
9	TD800.471A-05	WASHER		2	
10	TS04471012002	SUPPORT PLATE		1	
11	TS04471012003	SUPPORT PLATE		1	
12	GBT97.1-12-A0P	FLAT WASHER		5	
13	GBT93-12-A0P	STANDARD SPRING WASHER		5	
14	GBT6170-M12-8-A3L	HEXAGON NUT, TYPE-1		2	
15	TS04471013000	BONNET HINGE ASSEMBLY		1	
15.1	GBT91-5X32-A0P	SPLIT PIN		2	
15.2	GBT97.1-16-A0P	FLAT WASHER		2	
15.3	FT800B.47B.161	HINGE UPPER SEAT		2	
15.4	GBT882-B16X90-A0P	PIN SHAFT		2	
15.5	TS04471013001	BONNET LOW BRACKET WELDMENT		1	
15.6	GBT6170-M8-8-A2L	HEXAGON NUT, TYPE-1		2	
15.7	GBT5783-M8X50-8.8-A2L	HEXAGON BOLT		2	
16	GBT97.1-10-A0P	FLAT WASHER		6	
17	GBT93-10-A0P	STANDARD SPRING WASHER		6	
18	GBT5783-M10X35-8.8-A3L	HEXAGON BOLT		6	
19	GBT5783-M12X35-8.8-A3L	HEXAGON BOLT		3	

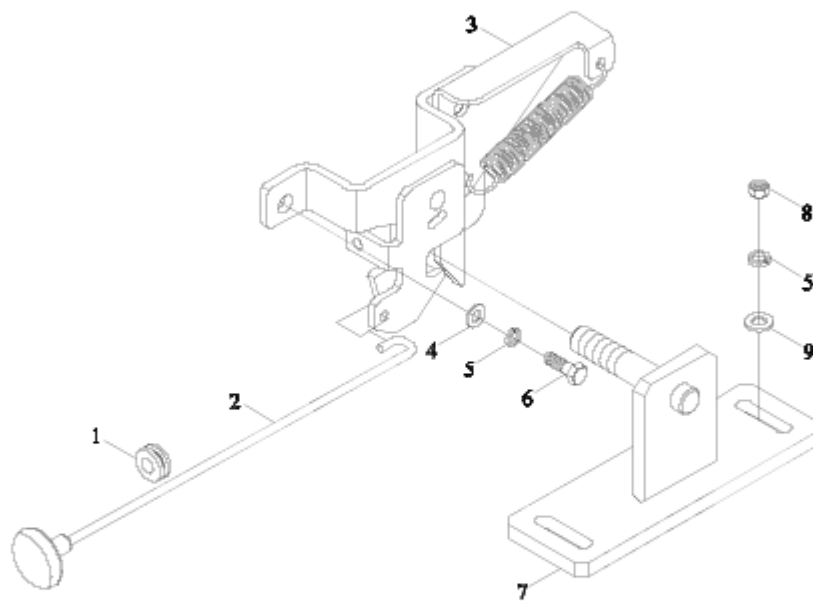
TS04471010000K BONNET ASSEMBLY-3



TS04471010000K BONNET ASSEMBLY-3

No.	Part No.	Description	Ver- sion	QTY.	Remark
	TS04471010000k	BONNET ASSEMBLY		1	
1	GBT5783-M8X25-8.8-A2L	HEXAGON BOLT		14	
2	GBT96.1-8-A0P	BIG WASHER		6	
3	TS06471014003	PROCESS PLUG COVER		4	
4	TS04471024200	SIDE PLATE RIGHT LOWER		1	
5	TS06471014002	GUM COVER		4	
6	TS04471014004	FIXING SEAT WELDMENT RIGHT BACK LOWER		1	
7	GBT97.1-8-A0P	FLAT WASHER		12	
8	GBT93-8-A0P	STANDARD SPRING WASHER		14	
9	TS04471014003	FIXING SEAT WELDMENT RIGHT BACK UP		1	
10	GBT6170-M8-8-A2L(2)	HEXAGON NUT, TYPE-1		4	
11	TS04471014001	FIXING SEAT WELDMENT LEFT BACK UP		1	
12	TS04471014002	FIXING SEAT WELDMENT LEFT BACK LOWER		1	
13	TS04471014100K	SIDE PLATE LEFT LOWER		1	

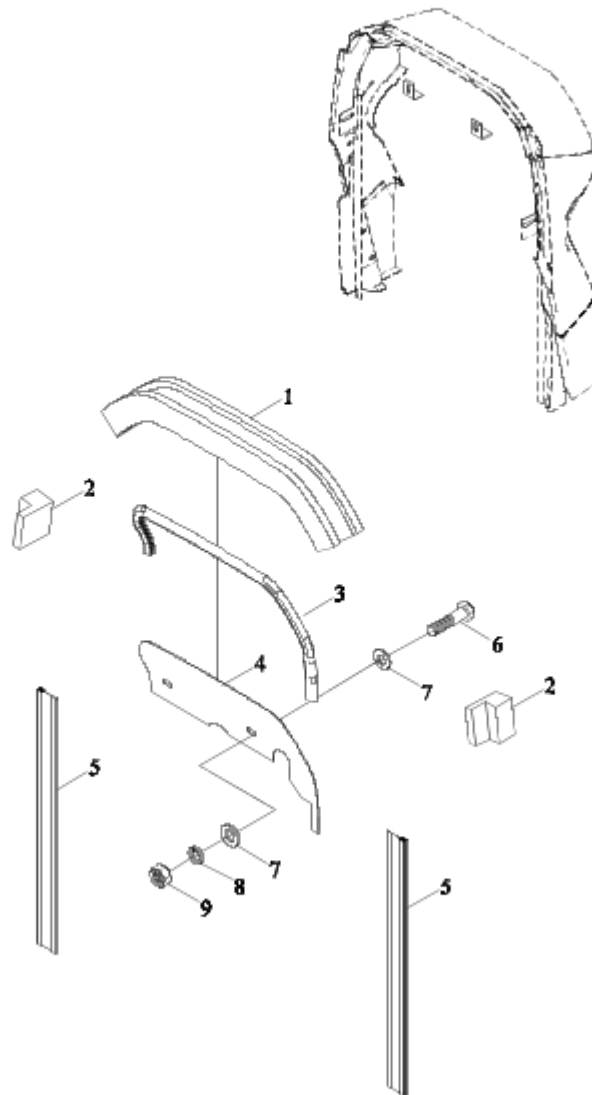
TS04473010000 BONNET LOCKING DEVICE ASSEMBLY



TS04473010000 BONNET LOCKING DEVICE ASSEMBLY

No.	Part No.	Description	Version	QTY.	Remark
	TS04473010000	BONNET LOCKING DEVICE ASSEMBLY		1	
1	TB450.473-02	RUBBER RING		1	
2	TS04473010006	PULL ROD		1	
3	TS06473010002	BONNET LOCK		1	
4	GBT97.1-8-A0P	FLAT WASHER		3	
5	GBT93-8-A0P	STANDARD SPRING WASHER		5	
6	GBT5783-M8X25-8.8-A2L	HEXAGON BOLT		3	
7	TS04473010001	BONNET LOCK COLUMN WELDMENT		1	
8	GBT6170-M8-8-A2L	HEXAGON NUT, TYPE-1		2	
9	GBT96.1-8-A0P	BIG WASHER		2	

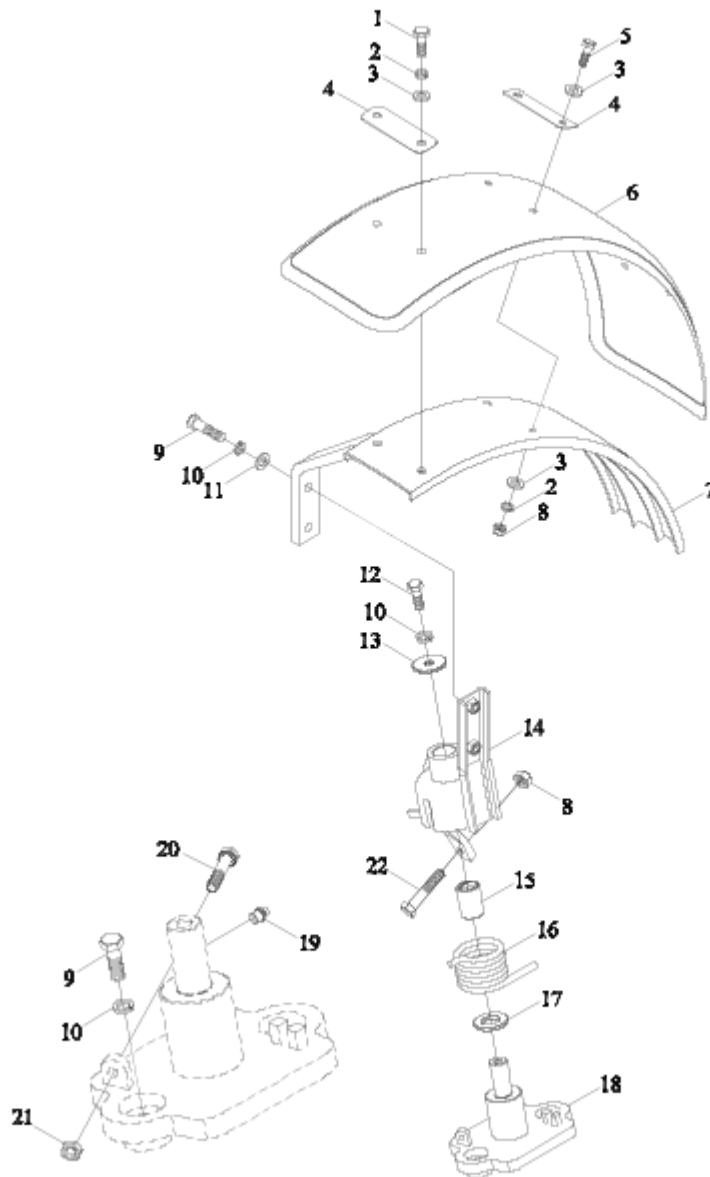
TS04475010000K BONNET SEAL INSTALLATION ASSEMBLY



TS04475010000K BONNET SEAL INSTALLATION ASSEMBLY

No.	Part No.	Description	Version	QTY.	Remark
	TS04475010000K	BONNET SEAL INSTALLATION ASSEMBLY		1	
1	TS04475030002	UP SEAL COTTON		1	
2	TS04475030001	SEAL COTTON		2	
3	TS04475010004K	SEAL STRIP		1	
4	TS04475010003K	SEAL SPACER PLATE		1	
5	TS04475010005K	SEAL STRIP		2	
6	GBT5783-M8X25-8.8-A2L	HEXAGON BOLT		2	
7	GBT97.1-8-A0P	FLAT WASHER		4	
8	GBT93-8-A0P	STANDARD SPRING WASHER		2	
9	GBT6170-M8-8-A2L	HEXAGON NUT, TYPE-1		2	

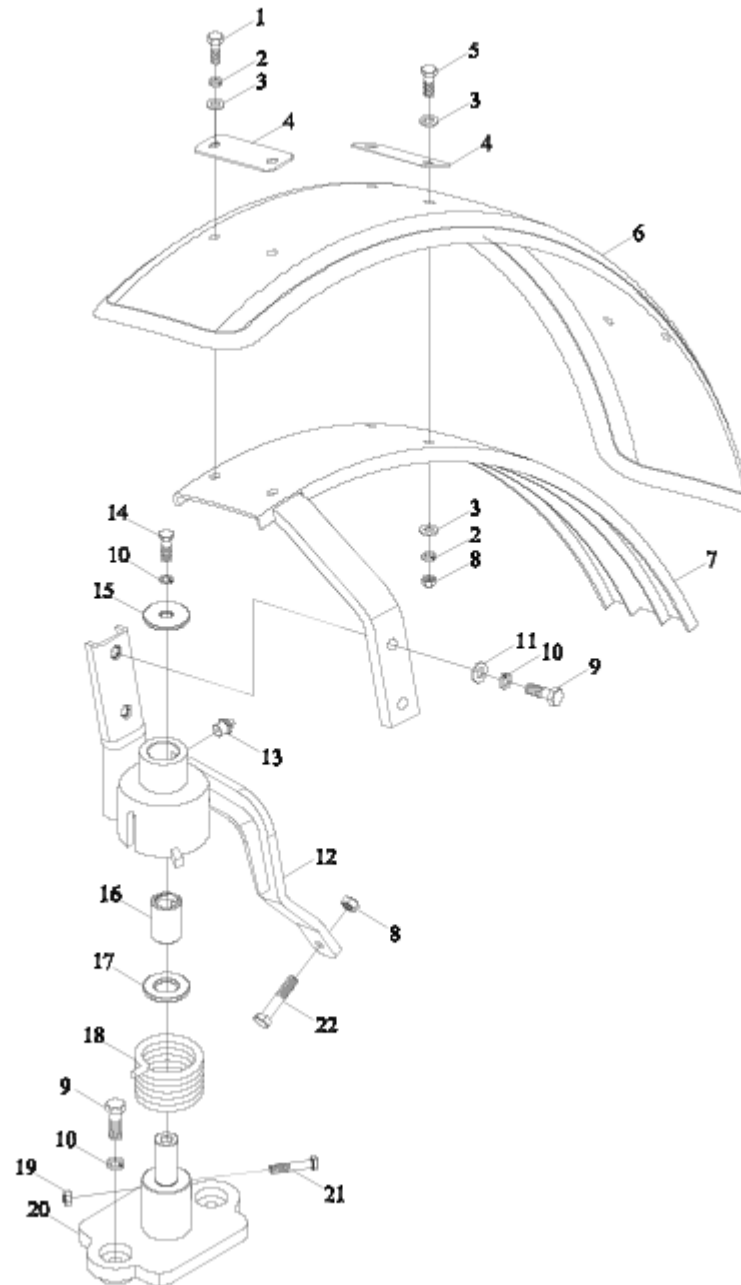
TB400. 475A LEFT FRONT MUD GUARD ASSEMBLY



TB400. 475A LEFT FRONT MUD GUARD ASSEMBLY

No.	Part No.	Description	Version	QTY.	Remark
	TB400.475A	LEFT FRONT MUD GUARD ASSEMBLY		1	
1	GBT5783-M10X35-8.8-A3L	HEXAGON BOLT		2	
2	GBT93-10-A0P	STANDARD SPRING WASHER		6	
3	GBT97.1-10-A0P	FLAT WASHER		10	
4	TB400.475A-04	STRENGTHENPLATE		3	
5	GBT5783-M10X30-8.8-A3L	HEXAGON BOLT		4	
6	TB400.475A-03	LEFT FRONT MUD GUARD		1	
7	TB400.475A.2	UPPER BRACKET WELDMENT		1	
8	GBT6170-M10-8-A3L	HEXAGON NUT, TYPE-1		5	
9	GBT5783-M12X40-8.8-A3L	HEXAGON BOLT		4	
10	GBT93-12-A0P	STANDARD SPRING WASHER		5	
11	GBT97.1-12-A0P	FLAT WASHER		2	
12	GBT5783-M12X30-10.9-A3L	HEXAGON BOLT		1	
13	TB400.475-07	WASHER 2		1	
14	TB400.475A.3	LOWER BRACKET WELDMENT		1	
15	TB400.475A-01	BUSH		1	
16	TB400.475A-02	LEFT TORQUE SPRING		1	
17	TB400.475-06	WASHER		1	
18	TB400.475A.1	LEFT INSTALLATION PLATE WELDMENT		1	
19	JBT7940.1-M10X1	STRAIGHT FORCED FILLING OIL CUP		1	
20	GBT5783-M8X45-8.8-A2L	HEXAGON BOLT		1	
21	GBT6170-M8-8-A2L	HEXAGON NUT, TYPE-1		1	
22	GBT5783-M10X55-8.8-A2L	HEXAGON BOLT		1	

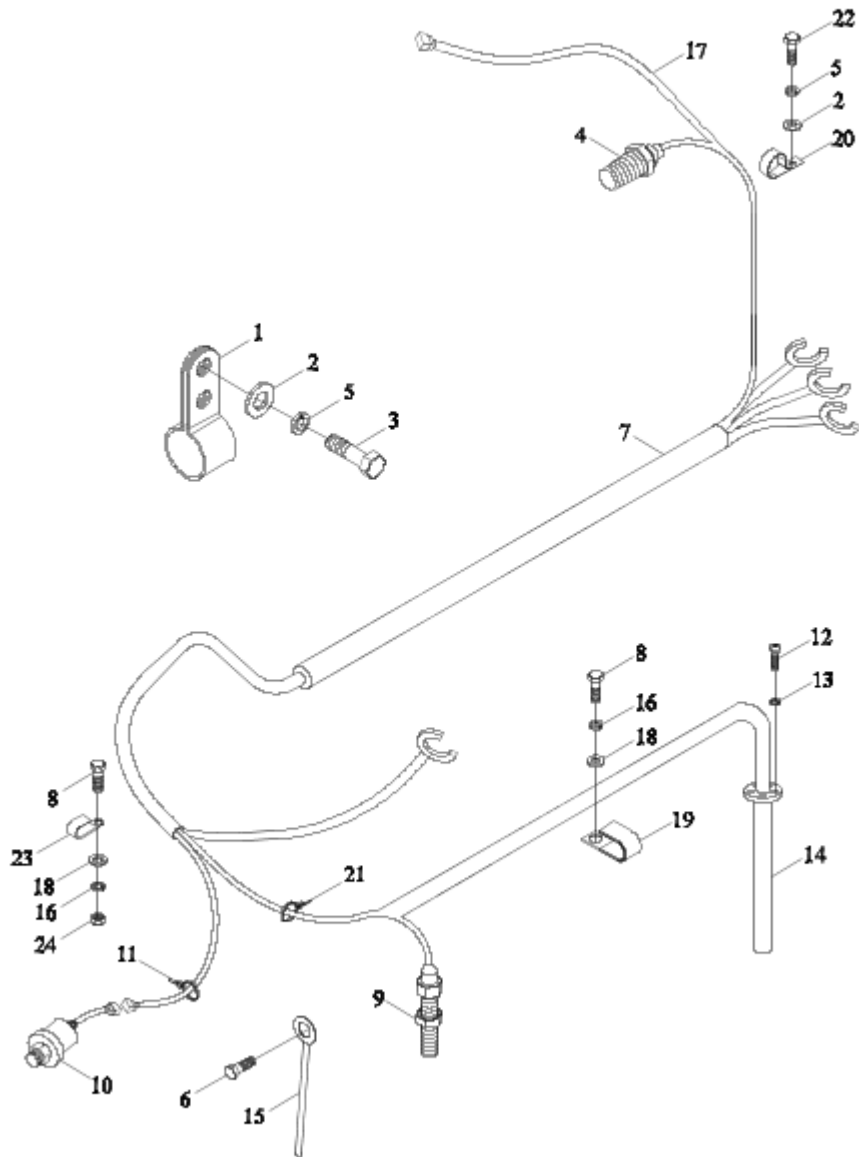
TB400. 476A RIGHT FRONT MUD GUARD ASSEMBLY



TB400. 476A RIGHT FRONT MUD GUARD ASSEMBLY

No.	Part No.	Description	Ver- sion	QTY.	Remark
	TB400.476A	RIGHT FRONT MUD GUARD ASSEMBLY		1	
1	GBT5783-M10X35-8.8-A3L	HEXAGON BOLT		2	
2	GBT93-10-A0P	STANDARD SPRING WASHER		6	
3	GBT97.1-10-A0P	FLAT WASHER		10	
4	TB400.475A-04	STRENGTHENPLATE		3	
5	GBT5783-M10X30-8.8-A3L	HEXAGON BOLT		4	
6	TB400.475A-03	LEFT FRONT MUD GUARD		1	
7	TB400.476A.2	UPPER BRACKET WELDMENT		1	
8	GBT6170-M10-8-A3L	HEXAGON NUT, TYPE-1		5	
9	GBT5783-M12X40-8.8-A3L	HEXAGON BOLT		4	
10	GBT93-12-A0P	STANDARD SPRING WASHER		5	
11	GBT97.1-12-A0P	FLAT WASHER		2	
12	TB400.476A.3	LOWER BRACKET WELDMENT		1	
13	JBT7940.1-M10X1	STRAIGHT-THROUGH TYPE PRESSURE LIVE OIL CUP		1	
14	GBT5783-M12X30-10.9-A3L	HEXAGON BOLT		1	
15	TB400.475-07	WASHER 2		1	
16	TB400.475A-01	BUSH		1	
17	TB400.475-06	WASHER		1	
18	TB400.476A-01	RIGHT TORSION SPRING		1	
19	GBT6170-M8-8-A2L	HEXAGON NUT, TYPE-1		1	
20	TB400.476A.1	RIGHT INSTALLATION PLATE WELDMENT		1	
21	GBT5783-M8X45-8.8-A2L	HEXAGON BOLT		1	
22	GBT5783-M10X55-8.8-A2L	HEXAGON BOLT		1	

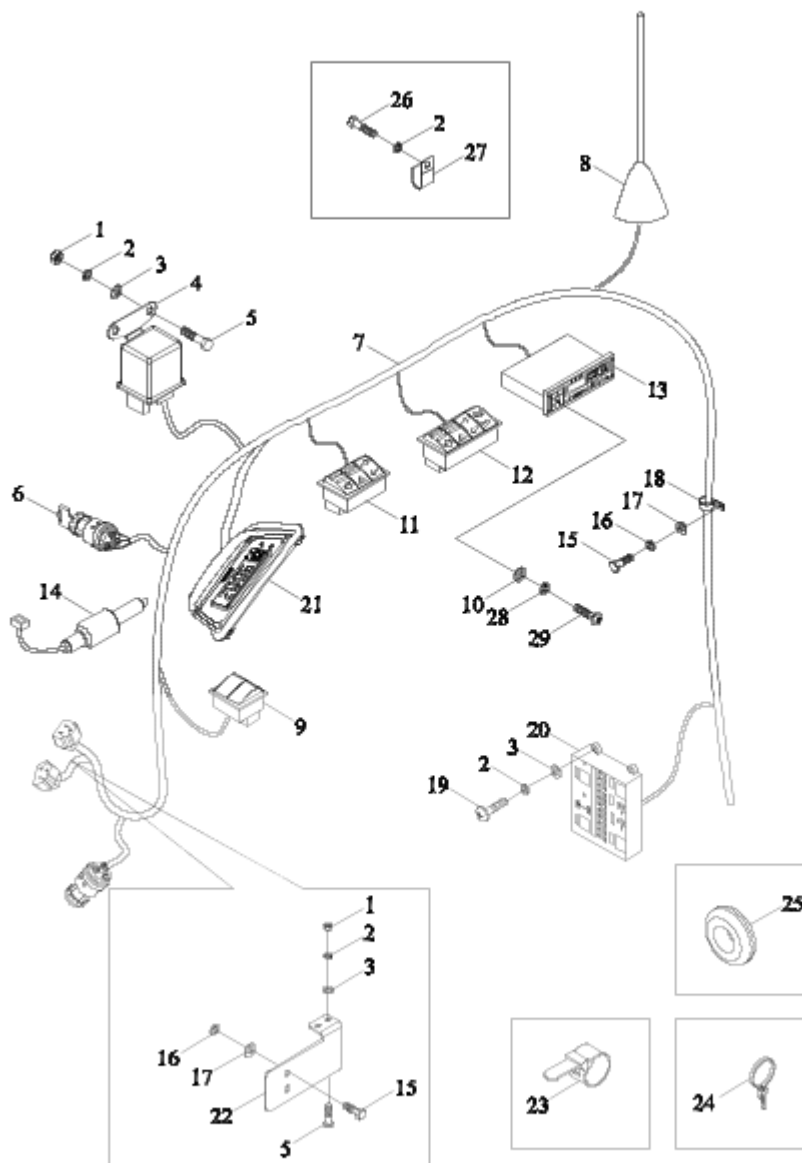
TS04481040000K ENGINE HARNESS INSTALLATION ASSEMBLY



TS0448104000K ENGINE HARNESS INSTALLATION ASSEMBLY

No.	Part No.	Description	Version	QTY.	Remark
	TS0448104000K	ENGINE HARNESS INSTALLATION ASSEMBLY		1	
1	TF1204.481B-01	HARNESS TIGHTEN CLIP		2	
2	GBT97.1-10-A3L	FLAT WASHER		3	
3	GBT5783-M10X20-8.8-A3L	HEXAGON BOLT		2	
4	FT65.48.072	WATER TEMPERATURE SENSOR		1	
5	GBT93-10-A3L	STANDARD SPRING WASHER		3	
6	GBT5783-M8X16-8.8-A2L	HEXAGON BOLT		1	
7	TS04481040001K	ENGINE HARNESS ASSEMBLY		1	
8	GBT5783-M8X25-8.8-A2L	HEXAGON BOLT		2	
9	TS10481010002	RPM SENSOR		1	
10	FT65.48.073a	OIL PRESSURE ALARM		1	
11	Q67405100	PLASTIC FASTENING STRIP		1	
12	GBT818-M4X10-4.8-A2L	CROSS SCREW		5	
13	GBT93-4-A3L	STANDARD SPRING WASHER		5	
14	TS04481010002	OIL QUANTITY SENSOR ASSEMBLY		1	
15	TS04481010003	GROUNDING WIRE		1	
16	GBT93-8-A3L	STANDARD SPRING WASHER		4	
17	TS04481070002K	AIR CONDITION DESICCATOR HARNESS		1	
18	GBT97.1-8-A3L	FLAT WASHER		4	
19	TS06482010005	HARNESS TIGHTEN CLIP		2	
20	FT800A.48L.106	HARNESS CLAMP		1	
21	Q67405400	PLASTIC FASTENING STRIP		1	
22	GBT5783-M10X16-8.8-A3L	HEXAGON BOLT		1	
23	FT65.48.095	HARNESS TIGHTEN CLIP 01		2	
24	GBT6170-M8-8-A2L	HEXAGON NUT, TYPE-1		2	

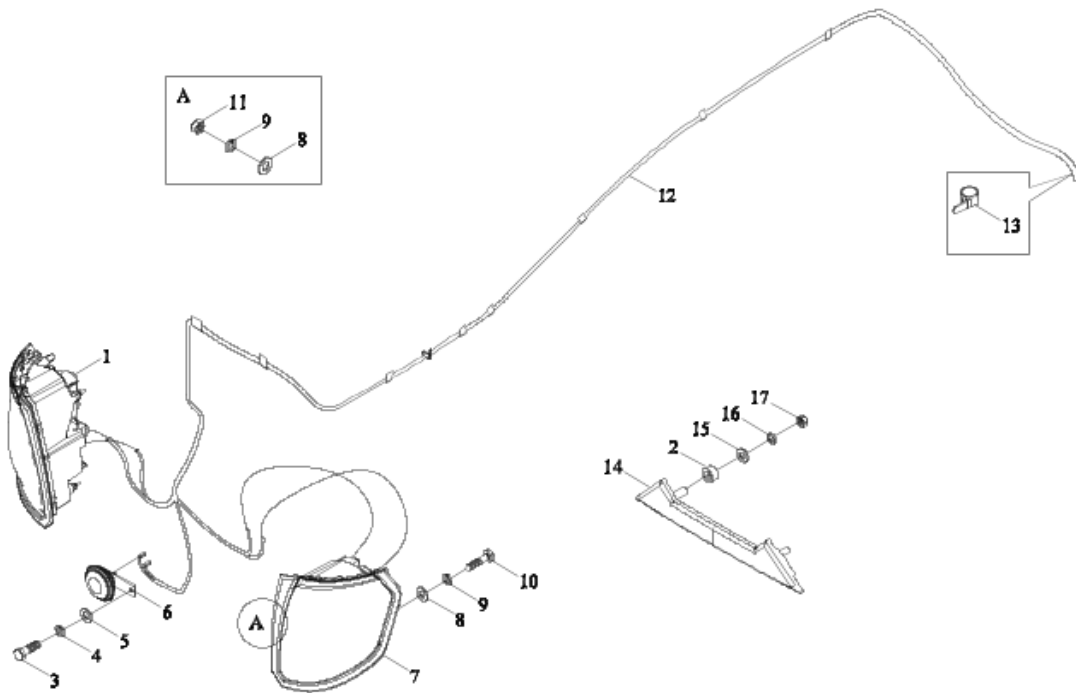
TS04482050000K BODY HARNESS INSTALLATION ASSEMBLY



TS04482050000K BODY HARNESS INSTALLATION ASSEMBLY

No.	Part No.	Description	Version	QTY.	Remark
	TS04482050000K	BODY HARNESS INSTALLATION ASSEMBLY		1	
1	GBT6170-M6-8-A2L	HEXAGON NUT, TYPE-1		4	
2	GBT93-6-A0P	STANDARD SPRING WASHER		10	
3	GBT97.1-6-A0P	FLAT WASHER		8	
4	FT300.48.055	STARTING RELAY		1	
5	GBT5783-M6X20-8.8-A2L	HEXAGON BOLT		4	
6	TB550.482.3	IGNITION LOCK		1	
7	TS04482050001K	BODY HARNESS ASSEMBLY		1	
8	TS04482010002	ANTENNAWIRE		1	
9	TS04482010006	TWO GANG PADDLE SWITCH		1	
10	GBT97.1-3-A0P	FLAT WASHER		4	
11	TS04482010003	3-GANG PADDLE SWITCH		1	
12	TS04482050003K	FIVE ROCKER SWITCH		1	
13	TS04482010010	MP3 PLAYER		1	
14	TB550.484.2	BRAKE LIGHT SWITCH		2	
15	GBT5783-M8X25-8.8-A2L	HEXAGON BOLT		4	
16	GBT93-8-A0P	STANDARD SPRING WASHER		4	
17	GBT97.1-8-A0P	FLAT WASHER		4	
18	TS06482010005	HARNESS TIGHTEN CLIP		3	
19	GBT818-M6X20-4.8-A2L	CROSS SCREW		4	
20	TS04482050002K	CENTRAL ELECTRICAL BOX ASSEMBLY		1	
21	TS04482010004	WATCH		1	
22	TS04482010009	FIXED PLATE		1	
23	3203505D9-L	TIE		17	
24	Q67405200	PLASTIC FASTENING STRIP		4	
25	TS04482010008	RUBBER RING		1	
26	GBT5783-M6X12-8.8-A2L	HEXAGON BOLT		2	
27	FT65.48.095	HARNESS FIXING CLAMP		2	
28	GBT93-3-A0P	STANDARD SPRING WASHER		4	
29	GBT818-M3X10-4.8-A2L	CROSS SCREW		4	

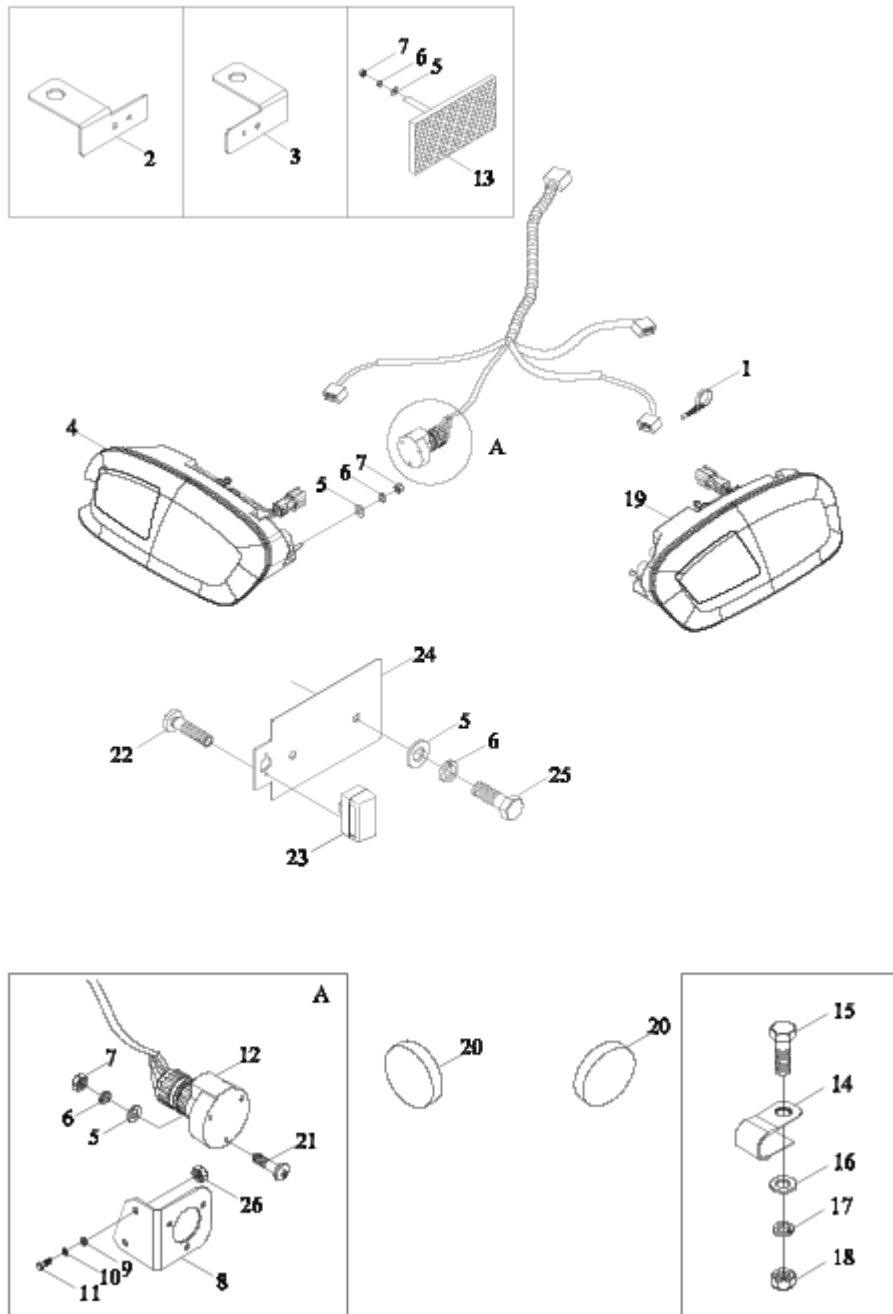
TS04483020000K FRONT LAMP HARNESS INSTALLATION ASSEMBLY



TS04483020000K FRONT LAMP HARNESS INSTALLATION ASSEMBLY

No.	Part No.	Description	Version	QTY.	Remark
	TS04483020000K	FRONT LAMP HARNESS INSTALLATION ASSEMBLY		1	
1	TS04483010004	RIGHT FRONT BIG LAMP ASSEMBLY		1	
2	TS04483010007	WASHER		2	
3	GBT5783-M8X25-8.8-A2L	HEXAGON BOLT		1	
4	GBT93-8-A0P	STANDARD SPRING WASHER		1	
5	GBT97.1-8-A0P	FLAT WASHER		1	
6	TD800.483B.3	ELECTRIC HORN		1	
7	TS04483010003	LEFT FRONT BIG LAMP ASSEMBLY		1	
8	GBT97.1-6-A0P	FLAT WASHER		8	
9	GBT93-6-A0P	STANDARD SPRING WASHER		8	
10	GBT818-M6X20-4.8-A2L	CROSS SCREW		4	
11	GBT6170-M6-8-A2L	HEXAGON NUT, TYPE-1		4	
12	TS04483010001	FRONT LAMP HARNESS ASSEMBLY		1	
13	FT65.48.095	HARNESS FIXING CLAMP		7	
14	TS04483010005	ADORNING STRIP		1	
15	GBT97.1-5-A0P	FLAT WASHER		2	
16	GBT93-5-A0P	STANDARD SPRING WASHER		2	
17	GBT6170-M5-8-A2L	HEXAGON NUT, TYPE-1		2	

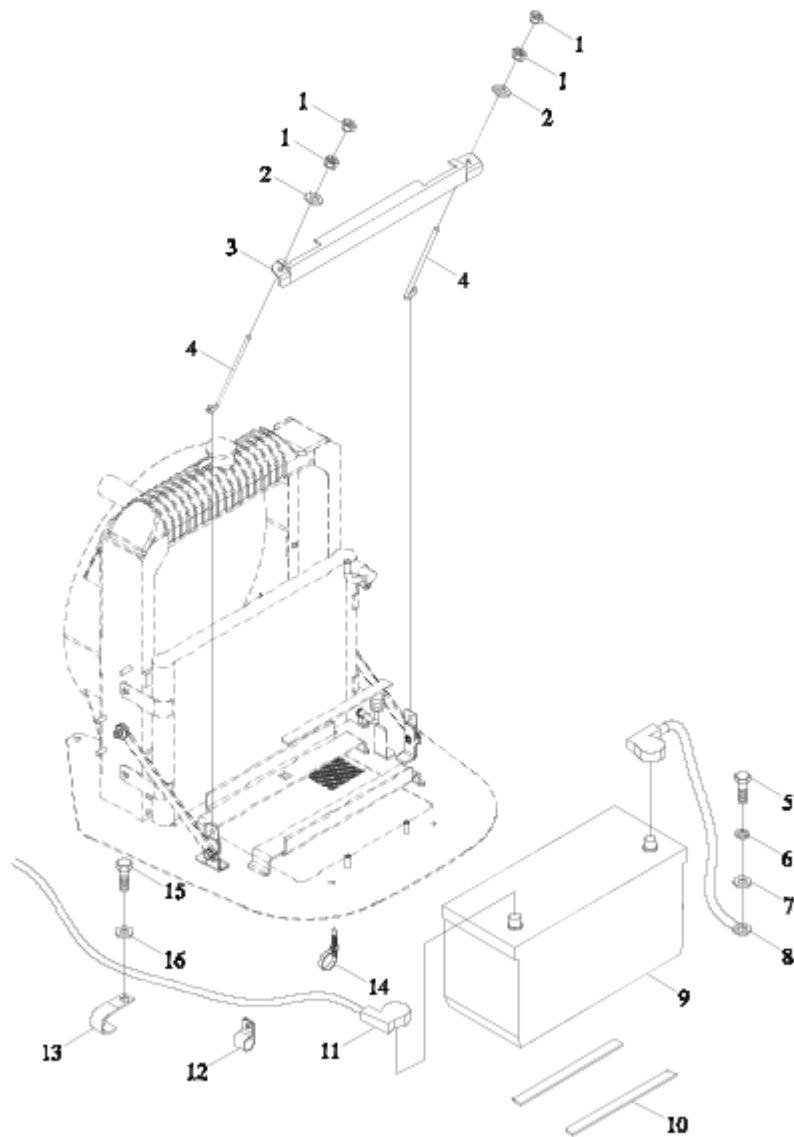
TS0448405000K REAR LAMP HARNESS INSTALLATION ASSEMBLY



TS04484050000K REAR LAMP HARNESS INSTALLATION ASSEMBLY

No.	Part No.	Description	Version	QTY.	Remark
	TS04484050000K	REAR LAMP HARNESS INSTALLATION ASSEMBLY		1	
1	Q67405100	PLASTIC FASTENING STRIP		1	
2	TD800.484B-01	REFLECTOR INSTALLATION PLATE		1	
3	TD800.484B-02	REFLECTOR INSTALLATION PLATE		1	
4	TS06484010001	LEFT TAIL LAMP ASSEMBLY		1	
5	GBT97.1-5-A0P	FLAT WASHER		9	
6	GBT93-5-A0P	STANDARD SPRING WASHER		9	
7	GBT6170-M5-8-A2L	HEXAGON NUT, TYPE-1		7	
8	TS04484010004	TRAILER SOCKET INSTALLATION PLATE		1	
9	GBT97.1-6-A0P	FLAT WASHER		2	
10	GBT93-6-A0P	STANDARD SPRING WASHER		2	
11	GBT5783-M6X45-8.8-A1L	HEXAGON BOLT		2	
12	TD900.484.2	REAR TRAILER SOCKET		1	
13	TD800.484B.5	REFLECTOR ASSEMBLY		2	
14	FT65.48.095	HARNESS FIXING CLAMP		3	
15	GBT5783-M8X20-8.8-A2L	HEXAGON BOLT		2	
16	GBT97.1-8-A0P	FLAT WASHER		2	
17	GBT93-8-A0P	STANDARD SPRING WASHER		2	
18	GBT6170-M8-8-A2L	HEXAGON NUT, TYPE-1		2	
19	TS06484010002	RIGHT TAIL LAMP		1	
20	TS06484010005	REFLECTOR		2	
21	GBT819.1-M5X35-4.8-A1L	CROSS SCREW		3	
22	GBT845-ST3.5X16	SCREW		2	
23	TA700.484A.2.1	LICENSELAMP		1	
24	TB500.484A.1	INSTALLATION PLATE		1	
25	GBT818-M5X12-4.8-A2L	CROSS SCREW		2	
26	GBT6170-M6-8-A2L	HEXAGON NUT, TYPE-1		2	

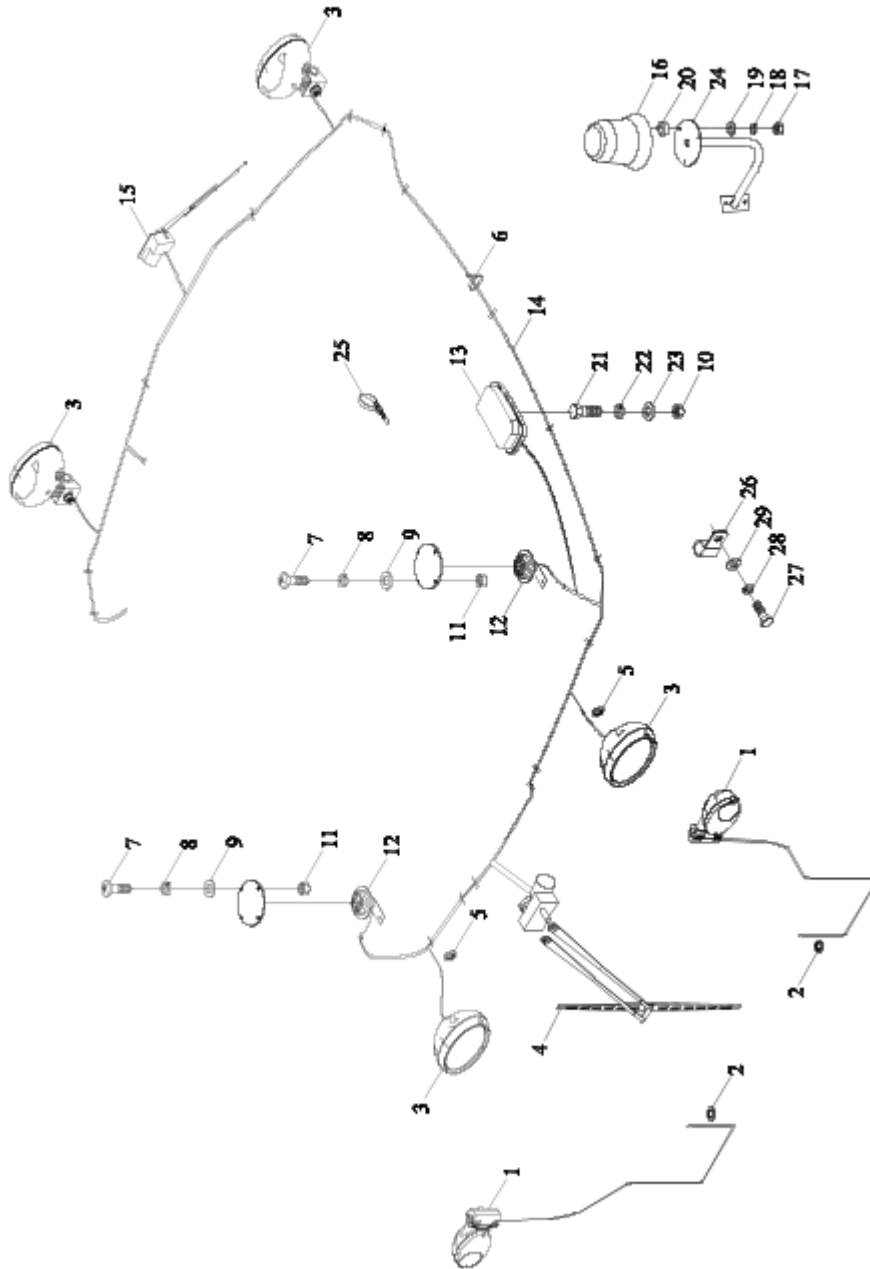
TS04485010000 BATTERY INSTALLATION ASSEMBLY



TS04485010000 BATTERY INSTALLATION ASSEMBLY

No.	Part No.	Description	Version	QTY.	Remark
	TS04485010000	BATTERY INSTALLATION ASSEMBLY		1	
1	GBT6170-M6-8-A2L	HEXAGON NUT, TYPE-1		4	
2	GBT97.1-6-A0P	FLAT WASHER		2	
3	TS04485010004	PRESSURE PLATE WELDMENT		1	
4	TS04485010002	PULL ROD		2	
5	GBT5783-M8X25-8.8-A2L	HEXAGON BOLT		1	
6	GBT93-8-A0P	STANDARD SPRING WASHER		1	
7	GBT97.1-8-A0P	FLAT WASHER		1	
8	TB400.485A.2	BATTERY GROUNDING WIRE		1	
9	FT450.48.010	MAINTENANCE-FREE LEAD ACID BATTERY		1	
10	TB450.485.1	BATTERY SHOCK ABSORPTION MAT		2	
11	TB400.485A.1	POWER WIRE ASSEMBLY		1	
12	TS04481010006	HARNESS TIGHTEN CLIP		1	
13	FT65.48.097	HARNESS FIXING CLAMP-2		1	
14	Q67405100	PLASTIC FASTENING STRIP		1	
15	GBT5783-M8X16-8.8-A2L	HEXAGON BOLT		1	
16	TS04485010007	WASHER		1	

TS04486010000K TOP LIGHT HARNESS INSTALLATION ASSEMBLY



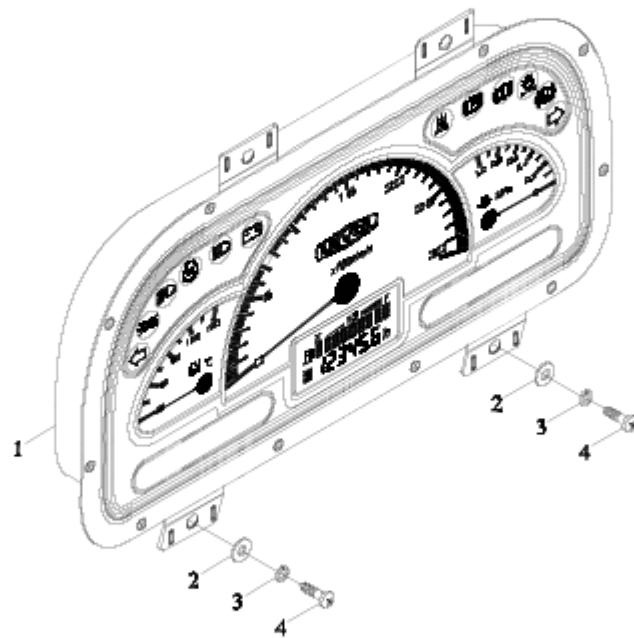
TS04486010000K TOP LIGHT HARNESS INSTALLATION ASSEMBLY

No.	Part No.	Description	Version	QTY.	Remark
	TS04486010000K	TOP LIGHT HARNESS INSTALLATION ASSEMBLY		1	
1	TS06486010004	RIGHT ARMREST LIGHT ASSEMBLY		2	
2	TS04486010002	RUBBER RING		2	
3	TS06486010003	TOP LIGHT ASSEMBLY		4	
4	TS06486010005	FRONT SCRAPER ASSEMBLY		1	
5	FT65.48.093	THROUGH HARNESS WASHER-1		4	
6	3203505D9-L	TIE		10	
7	GBT818-M4X16-4.8-A2L	CROSS SCREW		8	
8	GBT93-4-A0P	STANDARD SPRING WASHER		8	
9	GBT97.1-4-A0P	FLAT WASHER		8	
10	GBT6170-M6-8-A2L	HEXAGON NUT, TYPE-1		12	
11	GBT6170-M4-8-A2L	HEXAGON NUT, TYPE-1		8	
12	TS04486010003	LOUDHAILER ASSEMBLY		2	
13	TS06486010006	INNER TOP LIGHT ASSEMBLY		1	
14	TS04486010001K	TOP LIGHT HARNESS ASSEMBLY		1	
15	TS06486010008	REAR SCRAPER ASSEMBLY		1	
16	TS04486010002K	ROTATING ALARM LIGHT ASSEMBLY		1	
17	GBT6170-M5-8-A2L	HEXAGON NUT, TYPE-1		3	
18	GBT93-5-A0P	STANDARD SPRING WASHER		3	
19	GBT96.1-5-A0P	BIG WASHER		3	
20	TG1204.486-01	RUBBER WASHER		3	
21	GBT5783-M6X16-8.8-A2L	HEXAGON BOLT		4	
22	GBT93-6-A0P	STANDARD SPRING WASHER		12	
23	GBT97.1-6-A0P	FLAT WASHER		4	
24	TS04486010003K	ALARM LIGHT BRACKET WELDMENT		1	
25	Q67405100	PLASTIC FASTENING STRIP		2	

TS04486010000K TOP LIGHT HARNESS INSTALLATION ASSEMBLY (cont'd.)

No.	Part No.	Description	Version	QTY.	Remark
26	TS04481010006	HARNESS TIGHTEN CLIP		4	
27	GBT5783-M8X25-8.8-A2L	HEXAGON BOLT		4	
28	GBT93-8-A0P	STANDARD SPRING WASHER		4	
29	GBT97.1-8-A0P	FLAT WASHER		4	

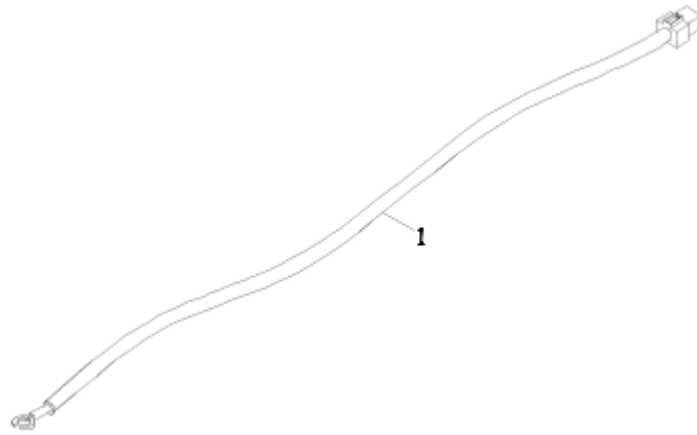
TS04487010000 COMBINED INSTRUMENT ASSEMBLY



TS04487010000 COMBINED INSTRUMENT ASSEMBLY

No.	Part No.	Description	Version	QTY.	Remark
	TS04487010000	COMBINED INSTRUMENT ASSEMBLY		1	
1	TS04487010001	COMBINED INSTRUMENT ASSEMBLY		1	
2	GBT96.1-6-A0P	BIG WASHER		4	
3	GBT93-6-A0P	STANDARD SPRING WASHER		4	
4	GBT818-M6X16-4.8-A2L	CROSS SCREW		4	

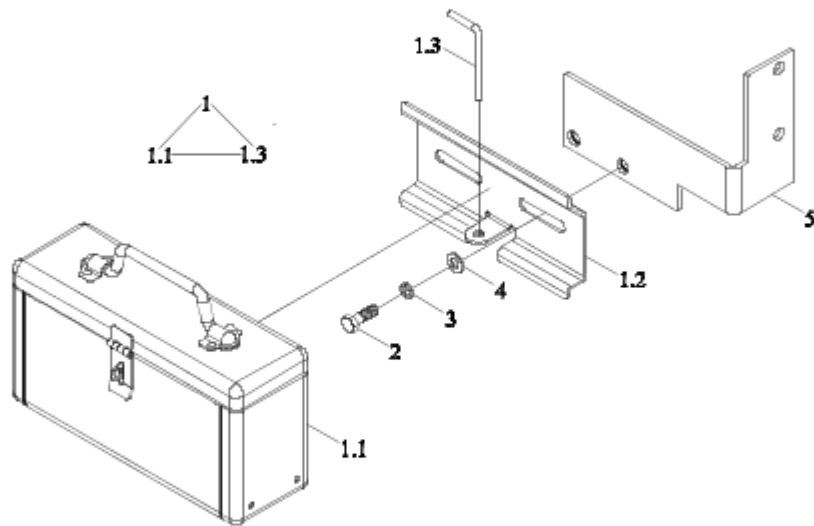
TB550. 489 PREHEATING EQUIPMENT ASSEMBLY



TB550. 489 PREHEATING EQUIPMENT ASSEMBLY

No.	Part No.	Description	Version	QTY.	Remark
	TB550.489	PREHEATING EQUIPMENT ASSEMBLY		1	
1	TB550.489.1	PREHEATING LINE		1	

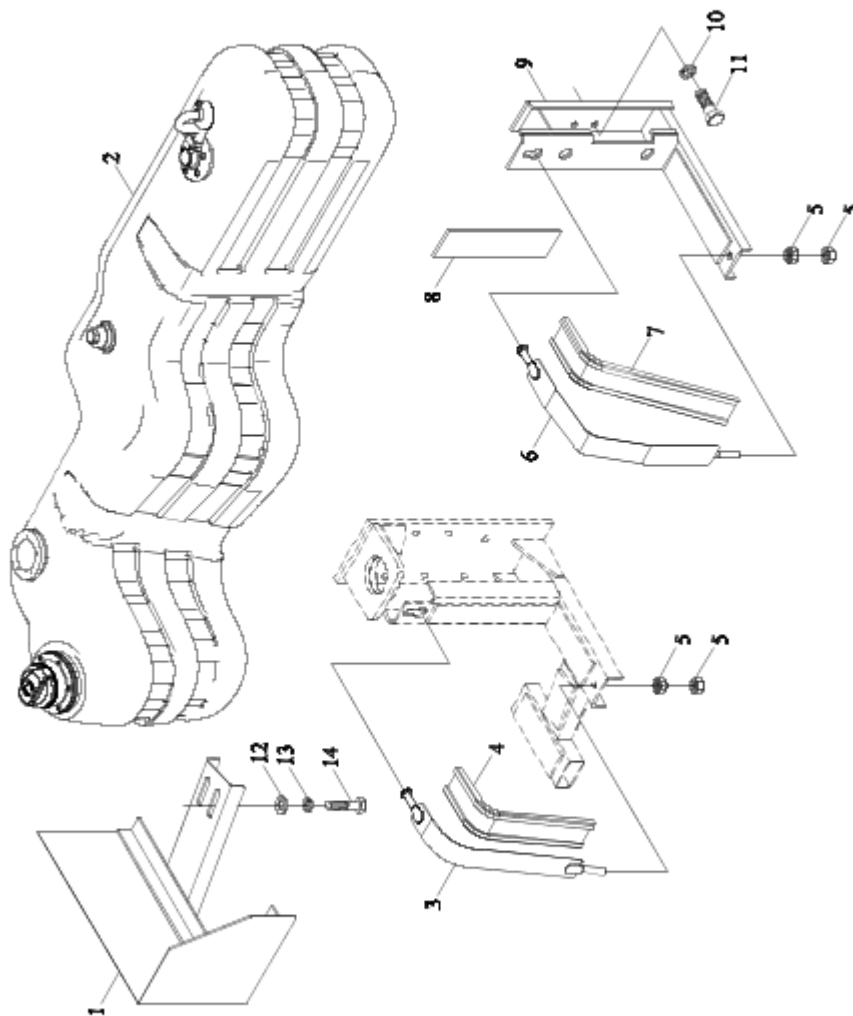
TS04490010000 TOOL BOX ASSEMBLY



TS04490010000 TOOL BOX ASSEMBLY

No.	Part No.	Description	Ver- sion	QTY.	Remark
	TS04490010000	TOOL BOX ASSEMBLY		1	
1	TB400.49.1	TOOL ASSEMBLY		1	
1.1	TB400.49.1.1	TOOL ASSEMBLY		1	
1.2	FT65.49.103	FIXED PLATE		1	
1.3	FT65.49.102	CROSS PIN		1	
2	GBT5783-M12X25-8.8-A3L	HEXAGON BOLT		2	
3	GBT93-12-A0P	STANDARD SPRING WASHER		2	
4	GBT97.1-12-A0P	FLAT WASHER		2	
5	TS04490010003	BRACKET		1	

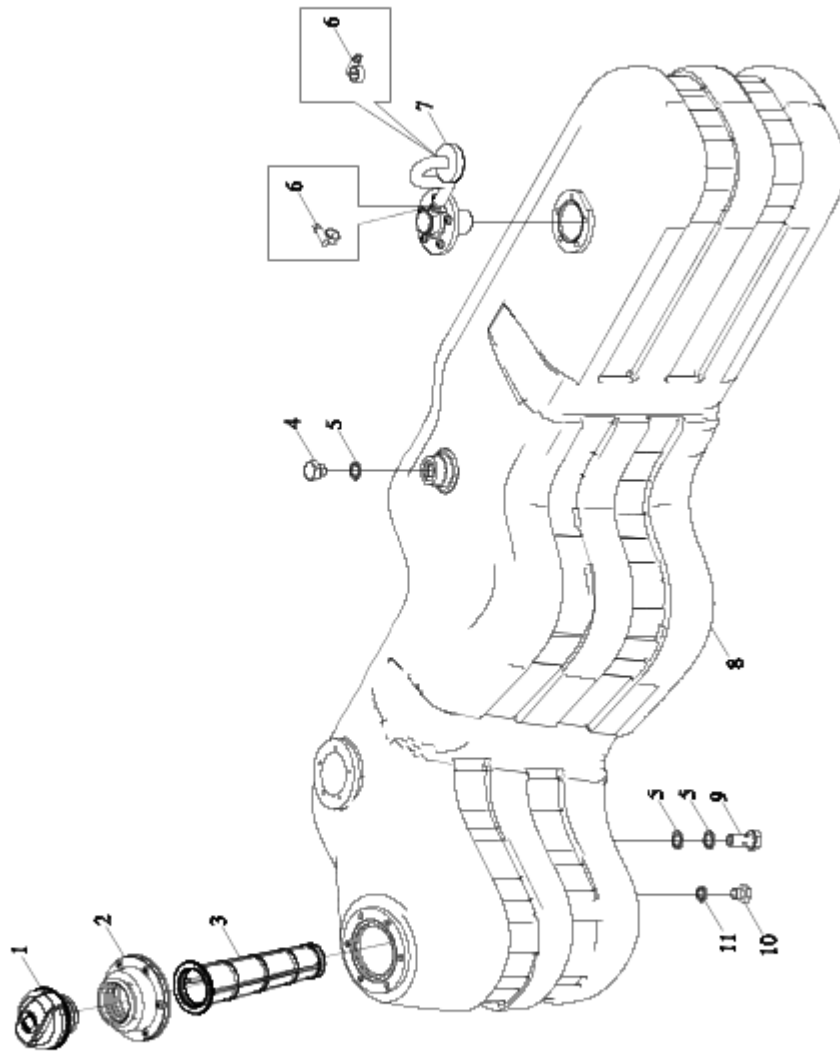
TS0450102000K OIL TANK INSTALLATION ASSEMBLY-1



TS04501020000K OIL TANK INSTALLATION ASSEMBLY-1

No.	Part No.	Description	Ver- sion	QTY.	Remark
	TS04501020000K	OIL TANK INSTALLATION ASSEMBLY		1	
1	TS04501020001K	WELDMENT TANK PROTECTION		1	
2	TS04501010001	OIL TANK ASSEMBLY		1	
3	TS04501010003	FRONT BAND WELDMENT		1	
4	TS04501010009	TIE RUBBER STRIP		1	
5	GBT6170-M10-8-A3L	HEXAGON NUT, TYPE-1		4	
6	TS04501010008	REAR FASTENING TIE WELDMENT		1	
7	TB604.501-02	TIE RUBBER STRIP		1	
8	TB604.501-01	RUBBER WASHER		1	
9	TB604.501.2	REAR BRACKET WELDMENT		1	
10	GBT93-10-A3L	STANDARD SPRING WASHER		2	
11	GBT5783-M10X20-8.8-A3L	HEXAGON BOLT		2	
12	GBT96.1-10-A0P	BIG WASHER		2	
13	GBT93-10-A0P	STANDARD SPRING WASHER		2	
14	GBT5783-M10X25-8.8-A3L	HEXAGON BOLT		2	

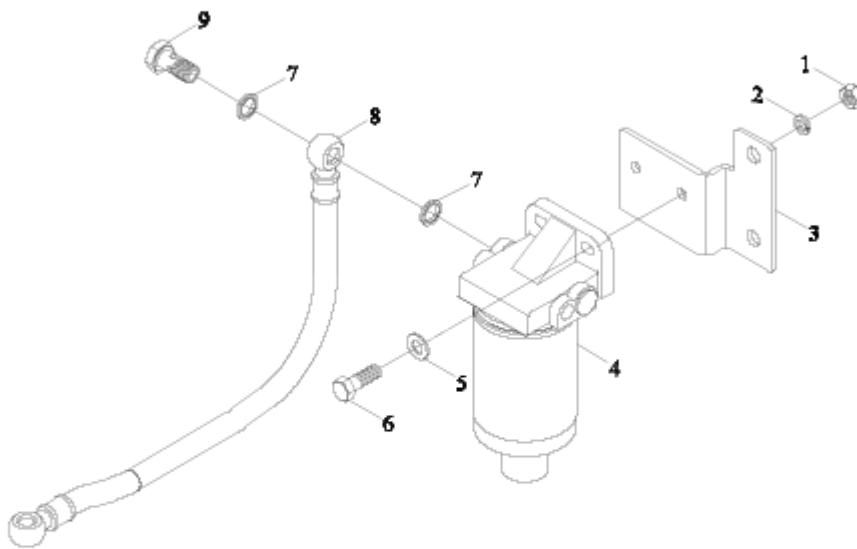
TS04501020000K OIL TANK INSTALLATION ASSEMBLY-2



TS04501020000K OIL TANK INSTALLATION ASSEMBLY-2

No.	Part No.	Description	Version	QTY.	Remark
	TS04501020000K(2)	OIL TANK INSTALLATION ASSEMBLY		1	
	TS04501010001(2)	OIL TANK ASSEMBLY		1	
1	TS04501010005	OIL TANK COVER		1	
2	TS04501010010	FILLING CAP ASSEMBLY		1	
3	TF1004.501.1-02	FILTER MESH		1	
4	Q617B14	HEXAGON PLUG		1	
5	JBT982-14	COMBINED SEAL GASKET		3	
6	Q67516	A-TYPE WORM TRANSMISSION HOSE CLAMP		2	
7	TS04501010006	BREATH ASSEMBLY		1	
8	TS04501010002	OIL TANK HOUSING		1	
9	FT65.50.106	HOLLOW BOLT		1	
10	Q617B12	HEXAGON PLUG		1	
11	JBT982-12	COMBINED SEAL GASKET		1	

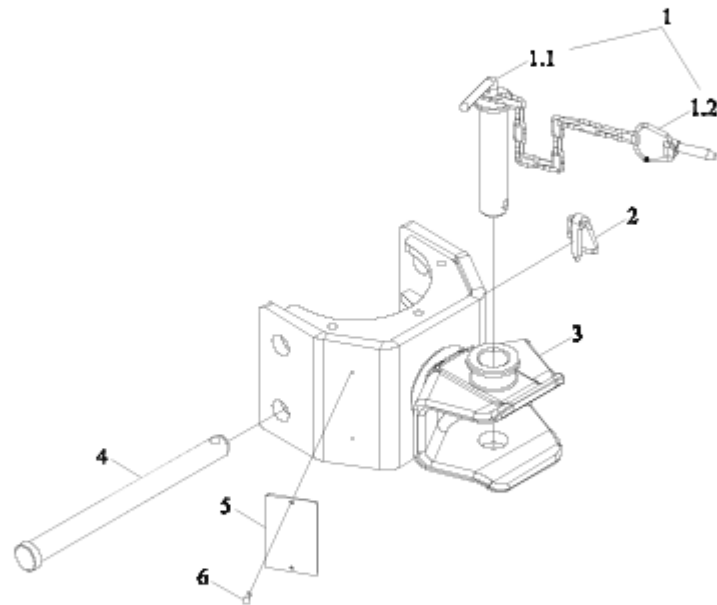
TS04503010000 OIL CONVEYING PIPE ASSEMBLY



TS04503010000 OIL CONVEYING PIPE ASSEMBLY

No.	Part No.	Description	Version	QTY.	Remark
	TS04503010000	OIL CONVEYING PIPE ASSEMBLY		1	
1	GBT6170-M8-8-A2L	HEXAGON NUT, TYPE-1		2	
2	GBT93-8-A0P	STANDARD SPRING WASHER		2	
3	TS04503010002	BRACKET		1	
4	TB604.504-03	FUEL FILTER ASSEMBLY		1	
5	GBT95-8-A0P	FLAT WASHER		2	
6	GBT5783-M8X30-8.8-A2L	HEXAGON BOLT		2	
7	JBT982-14	COMBINED SEAL GASKET		2	
8	TA700.503A.2	OIL OUTLET PIPE ASSEMBLY		1	
9	FT65.50.106	HOLLOW BOLT		1	

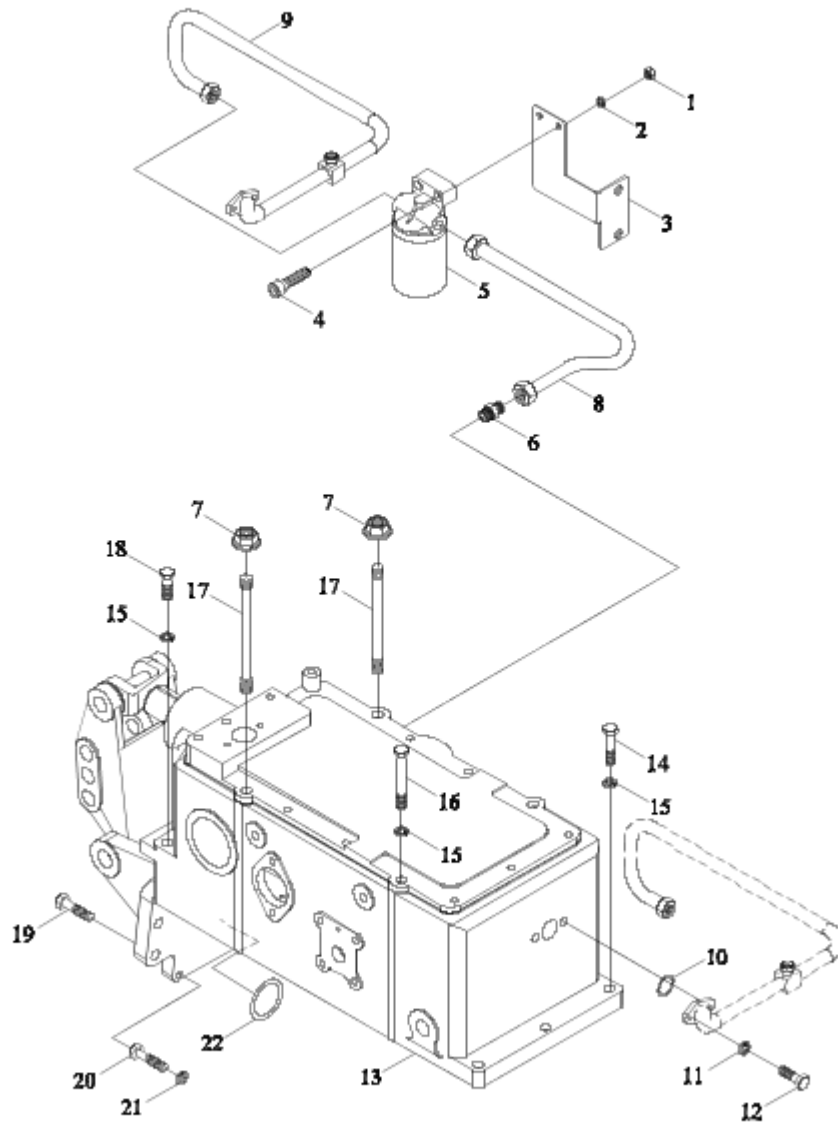
TC02530010000K TOW



TC02530010000K TOW

No.	Part No.	Description	Version	QTY.	Remark
	TC02530010000K	TOW		1	
1	TA700.53C.1.3	TOWINGPINANDLOCKING-PINASSEMBLY		2	
2	FT300.56.029	LOCKPINASSEMBLY		1	
3	TB400.53B.1	TOW MECHANISM ASSEMBLY WELDMENT		1	
4	FT300.53.101a	CONNECTING PIN		2	
5	TC02530010001K	DRAG HANG THE AUTHENTICATION THE SIGN		2	
6	GBT827-3X8-A0P	LABEL RIVET		1	

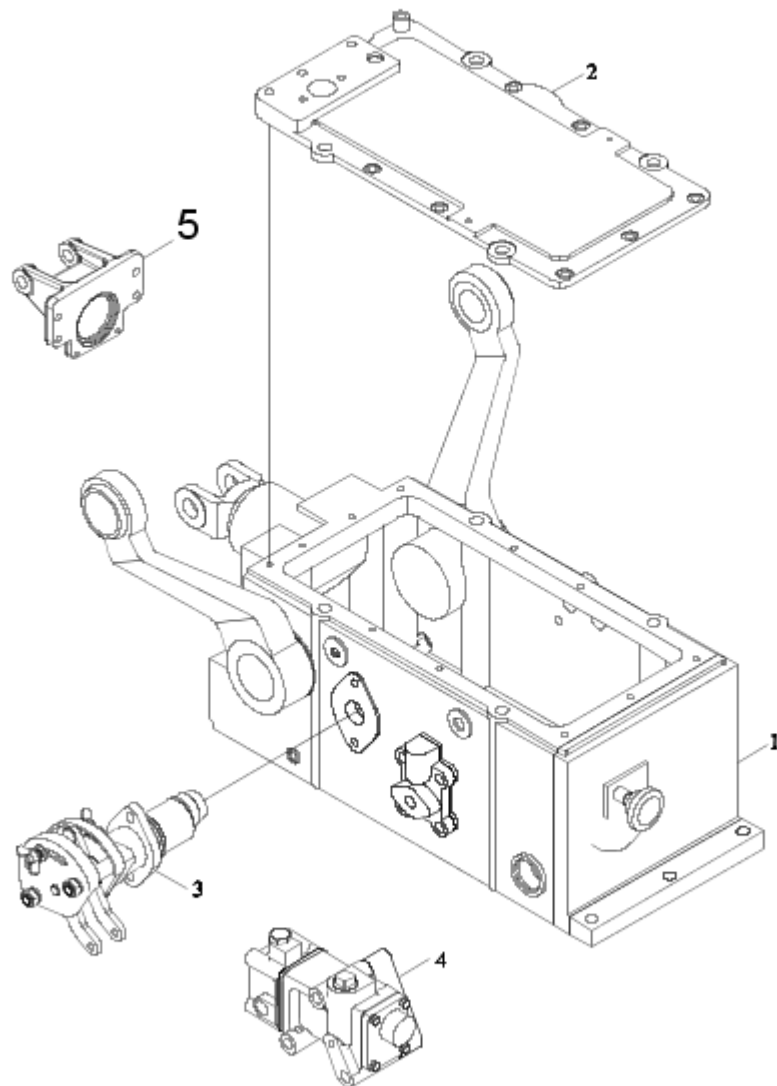
TC0255123000K LIFTER INSTALLATION ASSEMBLY-1



TC0255123000K LIFTER INSTALLATION ASSEMBLY-1

No.	Part No.	Description	Version	QTY.	Remark
	TC0255123000K	LIFTER INSTALLATION ASSEMBLY		1	
1	GBT6170-M10-8-A3L	HEXAGON NUT, TYPE-1		2	
2	GBT93-10-A3L	STANDARD SPRING WASHER		2	
3	TC02582070015	BRACKET WELDMENT		1	
4	GBT70.1-M10X40-8.8-A3L	INNER HEXAGON SCREW		2	
5	TC02582070001	OIL RETURN FILTER ASSEMBLY		1	
6	TC02582070006	END STRAIGHT THREAD CONNECTOR BODY M22-18		1	
7	SPL-CO-M12-10-F3	HEXAGON NUT		2	
8	TC02582070003	OIL RETURN PIPE ASSEMBLY		1	
9	TC02582080001	OIL FILTER INTO PIPE ASSEMBLY		1	
10	GBT3452.1-25.8X2.65G	RUBBER O-SEAL RING		1	
11	GBT93-8-A3L	STANDARD SPRING WASHER		2	
12	GBT5783-M8X30-8.8-A2L	HEXAGON BOLT		2	
13	TC02551200005K	LIFTER ASSEMBLY		1	
14	GBT5783-M12X40-10.9-A3L	HEXAGON BOLT		3	
15	TB404.312B-01	WASHER		7	
16	FT300.55B.136	BOLT		2	
17	TB300.55-01	DOUBLE END STUDS		2	
18	GBT5783-M12X100-10.9-A3L	HEXAGON BOLT		2	
19	GBT16674.1-M12X35-10.9-A2L	HEXAGON FLANGE NUT		4	
20	GBT5783-M8X30-10.9-A2L	HEXAGON BOLT		2	
21	TB300.55-02	WASHER		2	
22	GBT3452.1-103X2.65G	RUBBER O-SEAL RING		1	

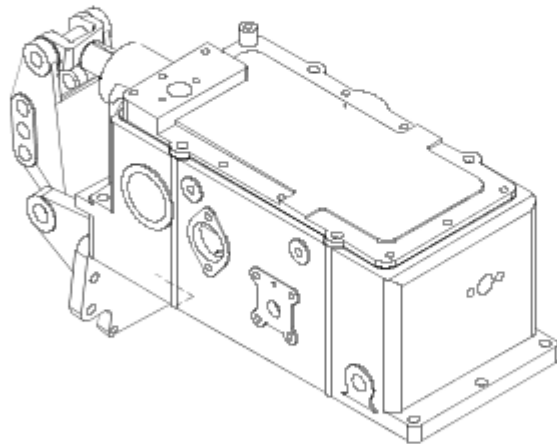
TC0255123000K LIFTER INSTALLATION ASSEMBLY-2



TC02551230000K LIFTER INSTALLATION ASSEMBLY-2

No.	Part No.	Description	Version	QTY.	Remark
	TC02551200005K(2)	LIFTER ASSEMBLY		1	
	TC02551230000K(2)	LIFTER INSTALLATION ASSEMBLY		1	
1	TC02551200006K(2)	LIFTER HOUSING		1	
2	TC02551200007K(2)	LIFTER UPPER COVER		1	
3	TB504.551F.5.1B(2)	DISTRIBUTOR CONTROL MECHANISM ASSEMBLY		1	
4	TB504.551E.1.013B(2)	DISTRIBUTOR ASSEMBLY		1	
5	TC02551050001K	UPPER SUSPENSION POINT ROCKER BRACKET		1	

TC0255123000K LIFTER INSTALLATION ASSEMBLY-3



TC02551230000K LIFTER INSTALLATION ASSEMBLY-3

No.	Part No.	Description	Version	QTY.	Remark
	TC02551200005K	LIFTER ASSEMBLY		1	
1	TC0255.103	PLUG M33X2		1	
2	GBT3765-29.6X2.9	O-RING		1	
3	TC02551200006K	LIFTER HOUSING		1	
4	FT500B.55.102	OIL INLET CONNECTING PLATE PAPER GASKET		1	
5	GBT5783-M10X30	BOLT		4	
6	GBT93-10	WASHER		11	
7	FT500B.55.011	OIL INLET CONNECTING PLATE ASSEMBLY		1	
8	FT500B.55.103A	OIL INLET PIPE		1	
9	BY350.55.201	RETAINER RING		2	
10	GBT3452.1-15X1.8	O-RING		2	
11	GBT5783-M10X25	BOLT		4	
12	TB504.551F.5.1B	DISTRIBUTOR CONTROL MECHANISM ASSEMBLY		1	
13	FT500B.55.127	LIFTING ARM PRESSURE PLATE		2	
14	GBT5783-M10X20	BOLT		2	
15	FT500B.55.030	LIFTING ARM ASSEMBLY		2	
17	TFP75-2.110	SCREW PLUG		2	
18	FT500B.55.228	LIFTING SHAFT		1	
19	FT500B.55.229	RETAINER RING		1	
20	GWJ50X60X5M1005	DUSTPROOF RING		1	
21	GBT3452.1-50.5X5.3	O-RING		1	
22	FT500B.55.231	SHAFT SLEEVE A		1	
23	FT500B.55.214	CAM		1	
24	ES400.55.116	SPACER BUSH		1	
25	TC02551050001K(2)	UPPER SUSPENSION POINT ROCKER BRACKET		1	
26	450.55.167	ROCKER CONNECTING PIN		1	
27	FT500A.55.106	ROCKER UPPER CONNECT- ING PIN		1	
28	FT500A.55B.182	ROCKER FRONT CON- NECTING PIN		1	
29	GBT97.1-20	WASHER		1	
30	GBT97.1-22	WASHER		1	
31	25.56.030	LOCKING PIN AND RING ASSEMBLY		1	

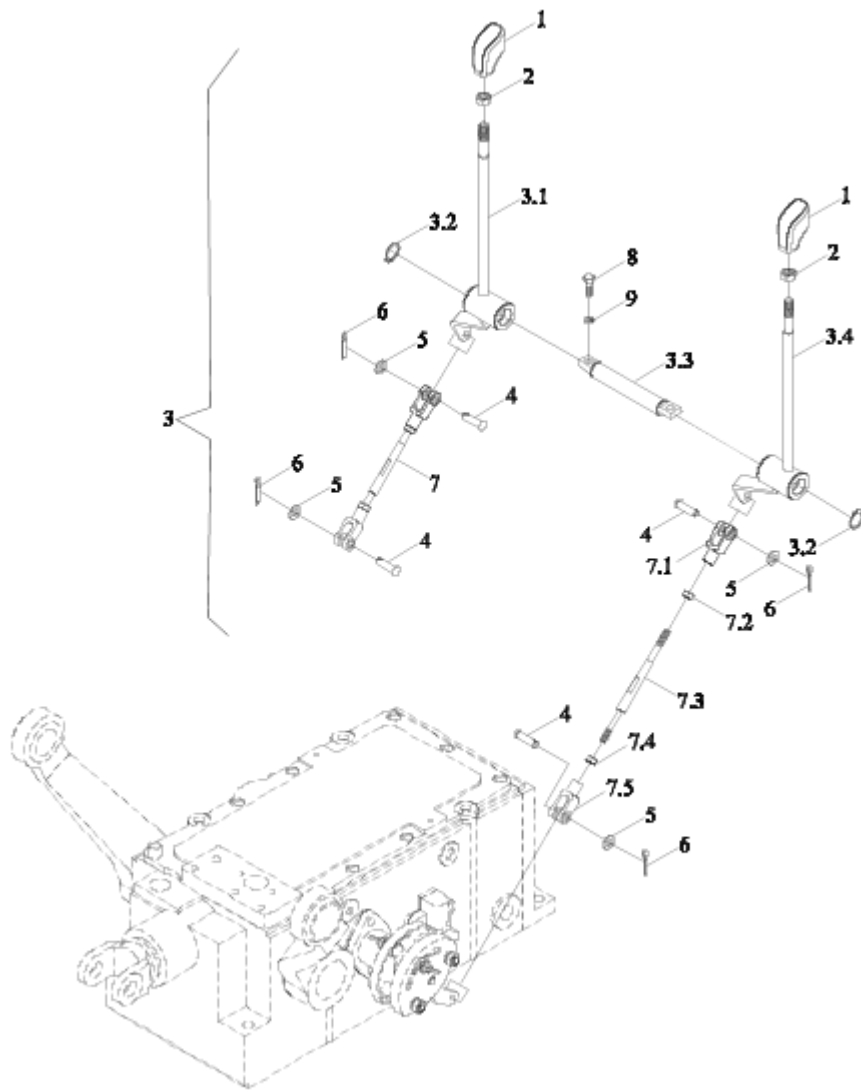
TC02551230000K LIFTER INSTALLATION ASSEMBLY-3 (cont'd.)

No.	Part No.	Description	Version	QTY.	Remark
32	GBT91-5X36	PIN		2	
33	FT500B.55.234	LIFTING SHAFT SLEEVE		1	
34	GBT3452.1-55X8	O-RING		1	
35	GWJ55X70X5M1005	DUSTPROOF RING		1	
36	FT500B.55.230	RETAINER RING		1	
37	FT500A.55.123	OIL CONVEYING PIPE NUT		1	
38	GBT3452.1-12.5X2.65	O-RING		1	
39	FT500B.55.140A	HYDRAULIC OUTLET PIPE JOINT		1	
40	FT500B.55.105B	OIL OUTLET PIPE		1	
41	GBT3452.1-13.2X1.8	O-RING		2	
42	FT500B.55.226	RETAINER RING		2	
43	GBT3452.1-10X1.8	O-RING		2	
44	YT300A.55.122	INTERCEPTING VALVE LIMIT PLATE		1	
45	GBT5783-M6X14	BOLT		2	
46	GBT93-6	WASHER		2	
47	FT500B.55.020A	INTERCEPTING VALVE ADJUSTING ROD ASSEMBLY		1	
48	GBT93-8	WASHER		12	
49	GBT5783-M8X30	BOLT		2	
50	DF65.55.167A	RETAINER PLATE		1	
51	DF65.55.168A	RETAINER PLATE MAT		1	
52	TB504.551D.1.201	OIL RETURN FILTER CONNECTING PLATE		1	
53	TB504.551E.1.203	OIL RETURN FILTER MAT		1	
54	GBT3452.1-19X1.8	O-RING		2	
55	TB504.551E.1.202B	OIL RETURN FILTER PIPE		1	
56	FT500B.55.125	OIL CYLINDER BOLT		2	
57	FT500B.55.120	GASKET		1	
58	FT500B.55.121	LOCK WASHER		1	
59	TB504.551E.1.013B	DISTRIBUTOR ASSEMBLY			
60	FT500B.55.118	LOCK WASHER		1	
61	GBT6170-M16-10	NUT		2	
62	GBT898-AM16X40-10.9	STUD		2	
63	GBT3452.1-13.2X2.65	O-RING		1	

TC02551230000K LIFTER INSTALLATION ASSEMBLY-3 (cont'd.)

No.	Part No.	Description	Ver- sion	QTY.	Remark
64	TS300B.55.110A	SPRING HOOK		1	
65	FT500A.55.109	PULL SPRING		2	
66	FT500B.55.016A	INNER ARM AND PISTON MANDRIL ASSY		1	
67	25.55.145L	FORCE ADJUSTING SEAL SLEEVE		1	
68	GBT3452.1-16X1.8	O-RING		1	
69	FT500B.55.130A	UPPER JOINT ROCKER ARM		1	
70	FT500B.55.022	FORCE ADJUSTING SPRING		1	
71	GBT119-C4X14	PIN		1	
72	GBT75-M6X12-22H	SCREW NECK		1	
73	25.55.146A	PUSH ROD SLEEVE		1	
74	GBT3452.1-8X1.8	O-RING		1	
75	GBT5783-M8X35	BOLT		3	
76	GBT3765-11.3X2.2	O-RING		1	
77	DF354.57.114	PLUG OF OIL RETURN VALVE		1	
78	GBT5783-M10X35	BOLT		1	
79	FT500B.55.014	FORCE ADJUSTING LEVER		1	
80	KM550.55.014	POSITION ADJUSTING LEVER		1	
81	TC02551200007K	LIFTER UPPER COVER		1	
82	GBT91-4X20	PIN		1	
83	FT500B.55.232	MAT		1	
84	GBT5783-M8X20	BOLT		7	
85	GBT3452.1-11.2X2.65	O-RING		2	
86	YT300A.55.014	LOW SPEED ADJUSTING ROD ASSEMBLY		1	
86	FT500B.55.106B	OIL CYLINDER BODY		1	
87	FT500B.55.137	PISTON		1	
88	GBT15242.1-TF1000B-II	SEALING		1	
89	GBT15242.2-SD1000-IIa	BACKUP RING		2	
89	GBT3452.1-18X2.65	O-RING		4	

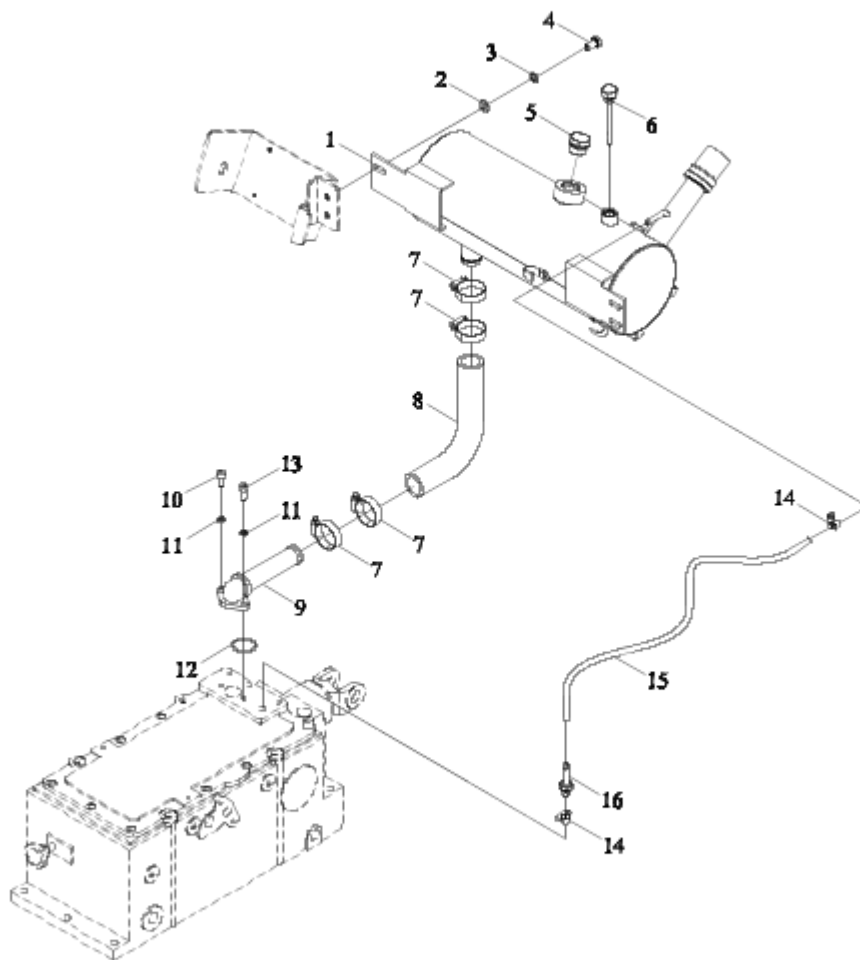
TS04552010000 LIFTER OPERATION ASSEMBLY



TS04552010000 LIFTER OPERATION ASSEMBLY

No.	Part No.	Description	Version	QTY.	Remark
	TS04552010000	LIFTER OPERATION ASSEMBLY		1	
1	TS04552010011	CONTROL HANDLE HEAD		2	
2	GBT6170-M10-8-A3L	HEXAGON NUT, TYPE-1		2	
3	TS04552010010	LIFTER CONTROL MECHANISM ASSEMBLY		1	
3.1	TS04552010002	LIFTER CONTROL PRESSURE UNIT 1		1	
3.2	GBT894.1-20	CIRCLIP FOR SHAFT		2	
3.3	TS04552010001	FIXING SHAFT		1	
3.4	TS04552010007	LIFTER CONTROL PRESSURE UNIT 2		1	
4	GBT882-B8X30-A0P	PIN SHAFT		4	
5	GBT97.1-8-A0P	FLAT WASHER		4	
6	GBT91-3.2X16-A0P	SPLIT PIN		4	
7	TS04552010012	ADJUSTING ROD		2	
7.1	TB504.552D.3-03	RIGHT REVOLVING CONNECTING FORK		1	
7.2	GBT6170-M8-8-A2L	HEXAGON NUT, TYPE-1		1	
7.3	TS04552010013	CONTROL PULL ROD		1	
7.4	GBT6170-M8-LH-8-A2L	HEXAGON NUT, TYPE-1		1	
7.5	TB504.552D.3-02	LEFT REVOLVING PULL ROD FORK		1	
8	GBT5783-M8X25-8.8-A2L	HEXAGON BOLT		2	
9	GBT93-8-A0P	STANDARD SPRING WASHER		2	

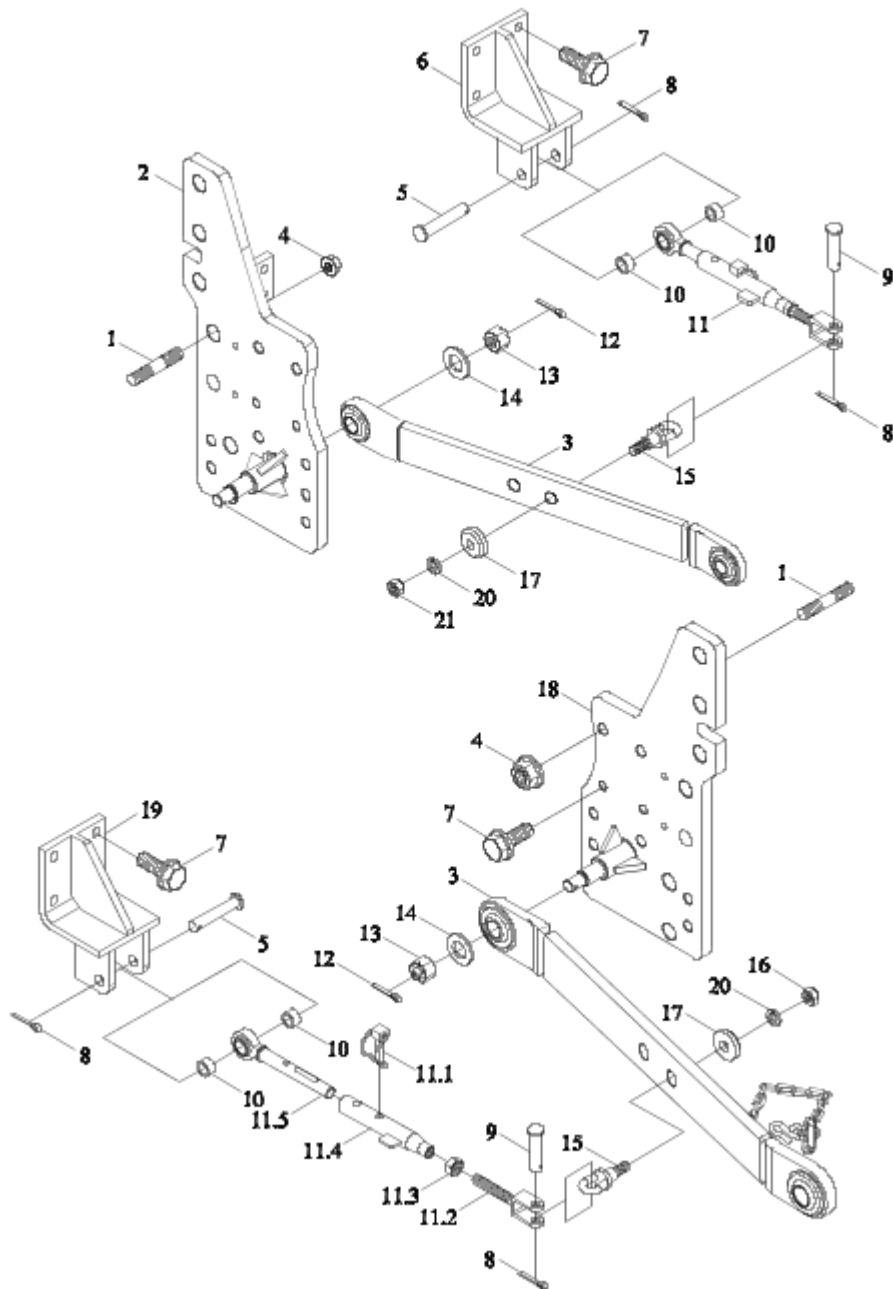
TC0255307000K HYDRAULIC AUXILIARY OIL TANK ASSEMBLY



TC02553070000K HYDRAULIC AUXILIARY OIL TANK ASSEMBLY

No.	Part No.	Description	Version	QTY.	Remark
	TC02553070000K	HYDRAULIC AUXILIARY OIL TANK ASSEMBLY		1	
1	TC02553070001K	AUXILIARY OIL TANK WELDMENT		1	
2	GBT97.1-10-A3L	FLAT WASHER		3	
3	GBT93-10-A3L	STANDARD SPRING WASHER		3	
4	GBT5783-M10X20-8.8-A3L	HEXAGON BOLT		3	
5	TC04553010011K	SCREW PLUG		1	
6	TC02553010003	OIL DIPSTICK ASSY		1	
7	Q67645	B-TYPE WORM TRANSMISSION HOSE CLAMP		4	
8	TC02553070004K	CONNECTING RUBBER PIPE		1	
9	TC02553050005K	CONNECTING OIL PIPE WELDMENT		1	
10	GBT70.1-M8X20-8.8-A2L	INNER HEXAGON SCREW		1	
11	GBT93-8-A3L	STANDARD SPRING WASHER		2	
12	GBT3452.1-34.5X2.65G	RUBBER O-SEAL RING		1	
13	GBT70.1-M8X20-10.9	INNER HEXAGON SCREW		1	
14	Q67512	A-TYPE WORM TRANSMISSION HOSE CLAMP		2	
15	TC02553070003K	BREATH HOSE		1	
16	TC02553010005	BREATHER JOINT WELDMENT		1	

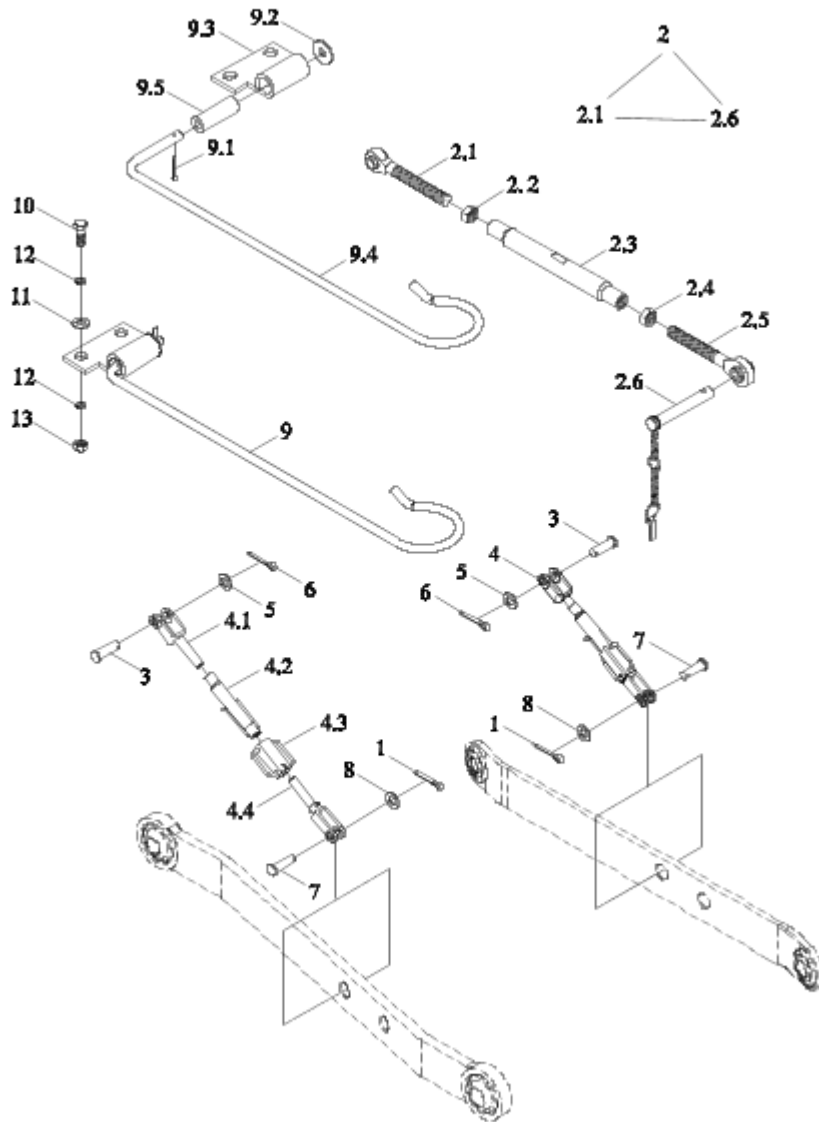
TC0256106000K SUSPENSION ASSEMBLY-1



TC0256106000K SUSPENSION ASSEMBLY-1

No.	Part No.	Description	Version	QTY.	Remark
	TC0256106000K	SUSPENSION ASSEMBLY		1	
1	GBT899-AM16-M16X1.5X45-10.9-A3 L	DOUBLE END STUDS		8	
2	TC02561060004K	RIGHT SUPPORT PLATE		1	
3	FT500A.56.012	LOWER PULL ROD ASSEMBLY		2	
4	SPL-CO-M16X1.5-10-F3	HEXAGON NUT		8	
5	FT300.56A.102	LIMITING ROD CONNECTING PIN		2	
6	FT300.56A.019	RIGHT LIMITING ROD BRACKET WELDMENT		1	
7	GBT16674.1-M16X40-10.9-A3L	HEXAGON FLANGE NUT		8	
8	GBT91-5X32-A0P	SPLIT PIN		4	
9	GBT882-B18X55-A0P	PIN SHAFT		2	
10	FT300.56A.103	SLEEVE		4	
11	FT300.56A.016a	LIMIT ROD ASSEMBLY		2	
11.1	FT300.56A.023	LIMITING ROD LOCK PIN ASSEMBLY		1	
12	GBT91-4X36-A0P	SPLIT PIN		2	
13	GBT6178-M20-8-A9L	HEXAGON SLOTTED NUT, STYLE I		2	
14	GBT97.1-20-A0P	FLAT WASHER		2	
15	FT300.56A.110a	LIMITING ROD REAR CONNECTING PIN		2	
16	GBT6170-M20-8-A3L	HEXAGON NUT, TYPE-1		2	
17	FT300.56A.111a	CIRCULAR PLATE		2	
18	TC02561060001K	LEFT SUPPORT PLATE		1	
19	FT300.56A.017	LEFT LIMITING ROD BRACKET WELDMENT		1	
20	GBT93-20-A0P	STANDARD SPRING WASHER		2	

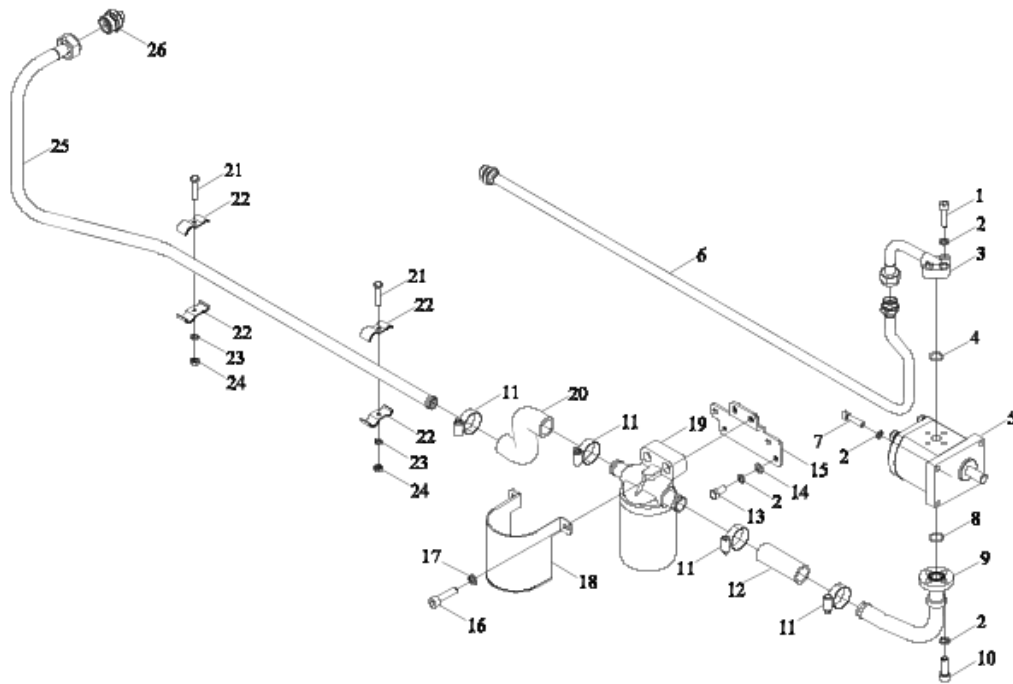
TC0256106000K SUSPENSION ASSEMBLY-2



TC0256106000K SUSPENSION ASSEMBLY-2

No.	Part No.	Description	Version	QTY.	Remark
	TC0256106000k(2)	SUSPENSION ASSEMBLY		1	
1	GBT91-5X32-A0P(2)	PIN		2	
2	FT500A.56.011a	UPPER PULL ROD ASSEMBLY		1	
2.6	FT65.56.015	UPPER PULL ROD LOCK PIN ASSEMBLY		1	
3	FT500A.56.101	LIFTING ROD UPPER CONNECTING PIN		2	
4	TB400.56E.1	LIFTING ROD ASSEMBLY		2	
5	FT500A.56.118	WASHER		2	
6	GBT91-5X40-A0P	SPLIT PIN		2	
7	FT300.56A.112	LIFTING ROD LOWER CONNECTING PIN		2	
8	GBT97.1-24-A0P	FLAT WASHER		2	
9	TB500.56B.6	UPPER PULL ROD FIXED CLIP COMBINATION		1	
10	GBT5783-M8X20-8.8-A2L	HEXAGON BOLT		2	
11	GBT97.1-8-A0P	FLAT WASHER		2	
12	GBT93-8-A0P	STANDARD SPRING WASHER		2	
13	GBT6170-M8-8-A2L	HEXAGON NUT, TYPE-1		2	

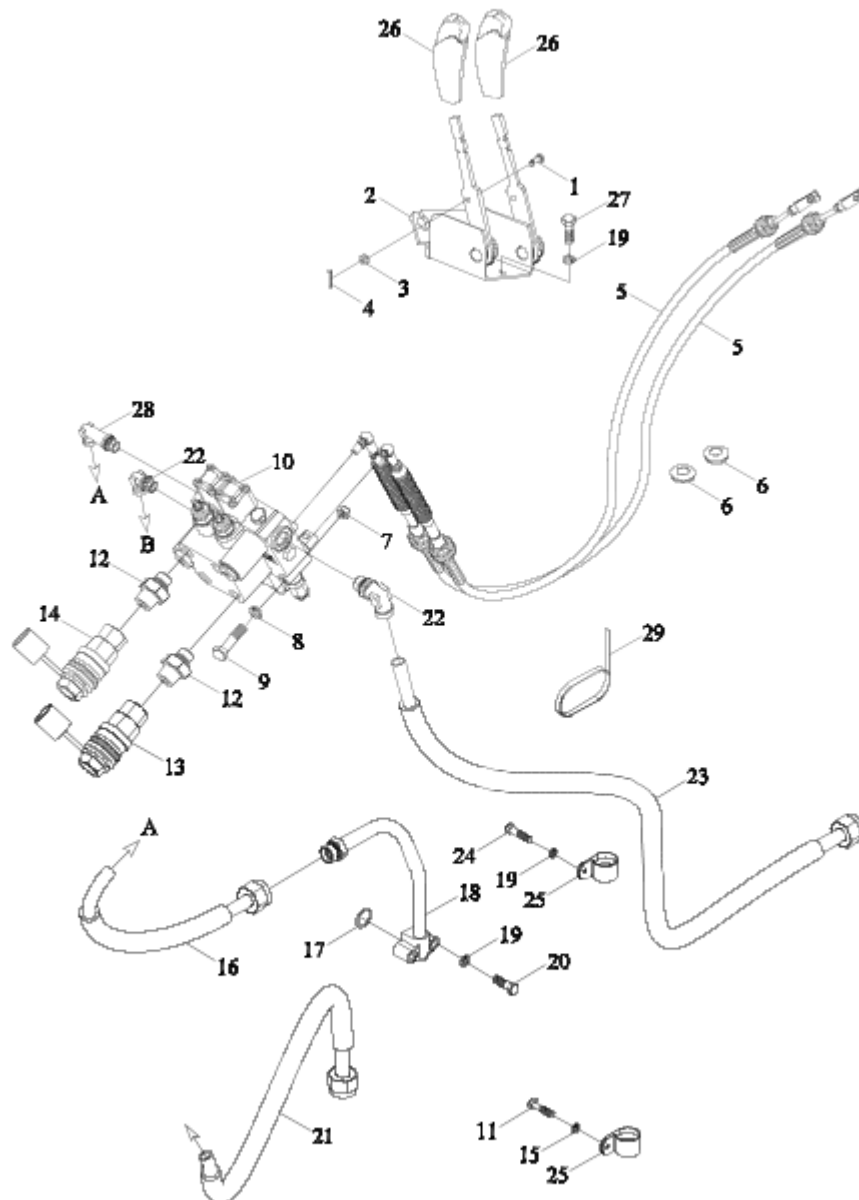
TC0258151000K OIL PUMP/PIPE/FILTER ASSEMBLY



TC02581510000K OIL PUMP/PIPE/FILTER ASSEMBLY

No.	Part No.	Description	Ver- sion	QTY.	Remark
	TC02581510000K	OIL PUMP/PIPE/FILTER ASSEMBLY		1	
1	GBT70.1-M8X30-8.8-A2L	INNER HEXAGON SCREW		3	
2	GBT93-8-A3L	STANDARD SPRING WASHER		15	
3	TC04581160001	PRESSURE OIL PIPE ASSEMBLY-1		1	
4	GBT3452.1-18.0X2.65G	RUBBER O-SEAL RING		1	
5	TC02581060001K	GEAR PUMP		1	
6	TC02581130001K	OIL PUMP OUTLET STEEL PIPE WELDMENT		1	
7	GBT70.1-M8X35-8.8-A2L	INNER HEXAGON SCREW		4	
8	GBT3452.1-20.0X1.80G	RUBBER O-SEAL RING		1	
9	TB504.581E.3	OIL SUCTION PIPE WELDMENT		1	
10	GBT70.1-M8X25-8.8-A2L	INNER HEXAGON SCREW		4	
11	Q67638	B-TYPE WORM TRANSMISSION HOSE CLAMP		4	
12	TB504.581E-02	OIL SUCTION RUBBER HOSE		1	
13	GBT5783-M8X20-8.8-A2L	HEXAGON BOLT		4	
14	GBT95-8-A3L	FLAT WASHER		4	
15	TC02581130006K	BRACKET WELDMENT		1	
16	GBT70.1-M10X40-8.8	INNER HEXAGON SCREW		2	
17	GBT93-10-A3L	STANDARD SPRING WASHER		2	
18	TC02581130008K	GUARD WELDMENT		1	
19	TB504.581E.2	ABSORB OIL FILTER ASSEMBLY		1	
20	TC02581130005K	OIL SUCTION PIPE		1	
21	GBT5783-M6X30-8.8-A2L	HEXAGON BOLT		2	
22	TB504.581E.1	OIL PIPE CLAMP AND RUBBER WASHER		4	
23	GBT93-6-A3L	STANDARD SPRING WASHER		2	
24	GBT6170-M6-8-A2L	HEXAGON NUT, TYPE-1		2	
25	TC02581510001K	OIL SUCTION STEEL PIPE ASSEMBLY		1	
26	TC03581030007	END STRAIGHT THREAD CONNECTOR BODY M33-28		1	

TC02582100000K MULTI-WAY VALVE OIL PIPE ASSEMBLY



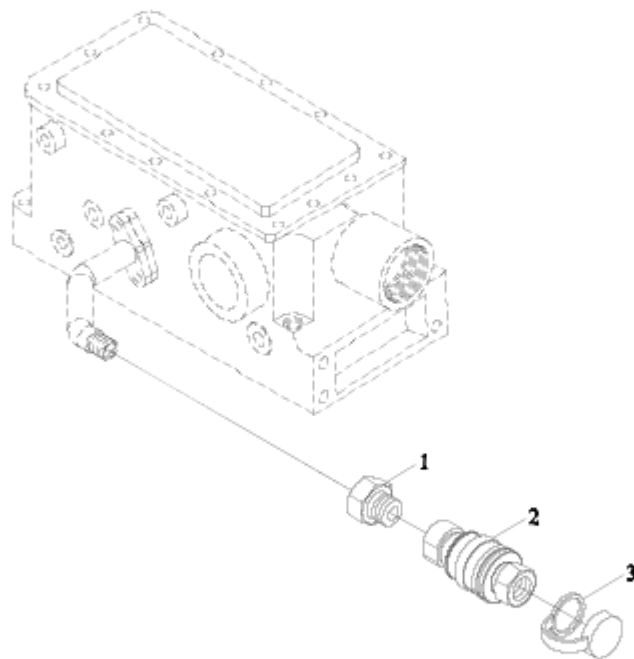
TC02582100000K MULTI-WAY VALVE OIL PIPE ASSEMBLY

No.	Part No.	Description	Version	QTY.	Remark
	TC02582100000K	MULTI-WAY VALVE OIL PIPE ASSEMBLY		1	
1	TG1654.583C-01	PIN SHAFT		2	
2	TS04582010058	MULTI-WAY VALVE CONTROL MECHANISM INSTALLATION ASSEMBLY		1	
3	GBT97.1-6-A0P	FLAT WASHER		2	
4	GBT91-2X14-A0P	SPLIT PIN		2	
5	TS04582010056	SOFT SHAFT MECHANISM ASSEMBLY		2	
6	TS04582010027	RUBBER RING		2	
7	GBT6170-M6-8-A2L	HEXAGON NUT, TYPE-1		3	
8	GBT93-6-A0P	STANDARD SPRING WASHER		3	
9	GBT5782-M6X60-8.8-A1L	HEXAGON BOLT		3	
10	TC04582140010	MULTI-WAY VALVE ASSEMBLY		1	
11	GBT5783-M10X16-8.8-A3L	HEXAGON BOLT		1	
12	TC04582140009	THROUGH JOINT		4	
13	FT354.58A.030	QUICK CHANGING JOINT		2	
14	TC02580010001K	QUICK CHANGING JOINT		2	
15	GBT93-10-A0P	STANDARD SPRING WASHER		1	
16	TC04582300012	OIL INLET RUBBLE HOSE		1	
17	GBT3452.1-20.0X2.65G	RUBBER O-SEAL RING		1	
18	TC04582300005	OIL INLET STEEL PIPE		1	
19	GBT93-8-A0P	STANDARD SPRING WASHER		6	
20	GBT5783-M8X35-8.8-A2L	HEXAGON BOLT		2	
21	TC04582300013	OIL RETURN RUBBER HOSE ASSEMBLY		1	
22	TC04582140012	CONNECTING JOINT M18-15		2	
23	TC04582300001	OIL INLET RUBBLE HOSE		1	
24	GBT5783-M8X16-8.8-A2L	HEXAGON BOLT		1	
25	TD924.582-01	PIPE CLAMP		2	
26	TS04582010025	HANDLE HEAD		2	
27	GBT5783-M8X20-8.8-A2L	HEXAGON BOLT		3	

TC02582100000K MULTI-WAY VALVE OIL PIPE ASSEMBLY (cont'd.)

No.	Part No.	Description	Version	QTY.	Remark
28	TC04582300011	CONNECTING JOINT M18-15		1	
29	Q67405200	PLASTIC FASTENING STRIP		1	

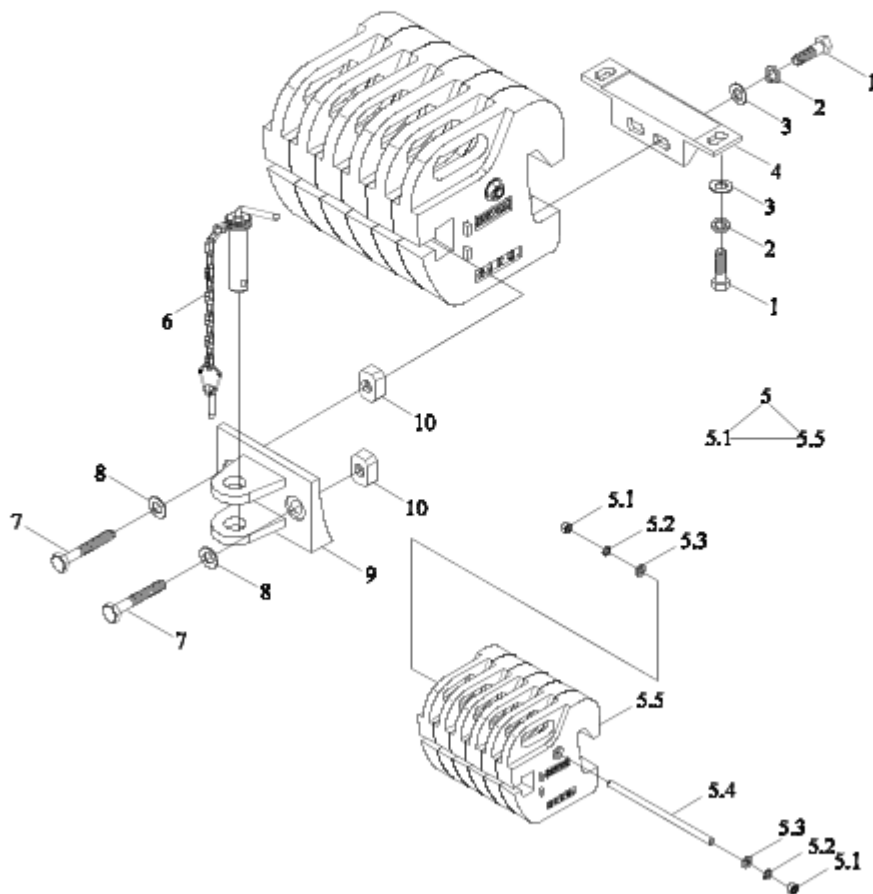
TB300. 583A SINGLE-WAY HYDRAULIC OUTPUT ASSEMBLY 2



TB300. 583A SINGLE-WAY HYDRAULIC OUTPUT ASSEMBLY 2

No.	Part No.	Description	Version	QTY.	Remark
	TB300.583A	SINGLE-WAY HYDRAULIC OUTPUT ASSEMBLY 2		1	
1	FT354.58A.104	BRITISH SYSTEM OIL PIPE JOINT		1	
2	FT354.58A.030	QUICK CHANGING JOINT		1	
3	FT354.58A.103	DUSTPROOF COVER		1	

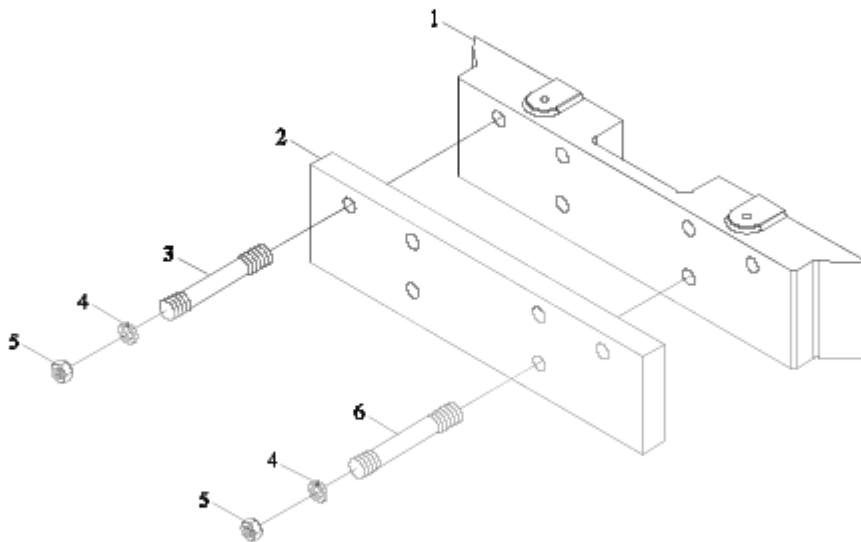
TC02740010000K FRONT BALLAST ASSEMBLY



TC02740010000K FRONT BALLAST ASSEMBLY

No.	Part No.	Description	Ver- sion	QTY.	Remark
	TC02740010000K	FRONT BALLAST ASSEMBLY		1	
1	GBT5783-M16X35-8.8-A3L	HEXAGON BOLT		4	
2	GBT93-16-A0P	STANDARD SPRING WASHER		4	
3	GBT97.1-16-A0P	FLAT WASHER		4	
4	TB404.74B-01	FIXING BRACKET		1	
5	TC02740010001K	FRONT BALLAST SMALL ASSEMBLY		1	
5.1	GBT6170-M16-8-A3L	HEXAGON NUT, TYPE-1		2	
5.2	GBT93-16-A0P(2)	STANDARD SPRING WASHER		2	
5.3	GBT97.1-16-A0P(2)	FLAT WASHER		2	
5.4	FT404.74A.108	CONNECTING BOLT		1	
5.5	TC02740010002K	BALLAST BLOCK		6	
6	TB400.74A.2	TOWING PIN AND LOCK PIN ASSEMBLY		1	
7	GBT5785-M20X1.5X80-8.8-A3L	HEXAGON BOLT		2	
8	GBT97.1-20-A0P	FLAT WASHER		2	
9	TB400.74A-04	TOWING LUG		1	
10	FT650.74.108	TOWING NUT		2	

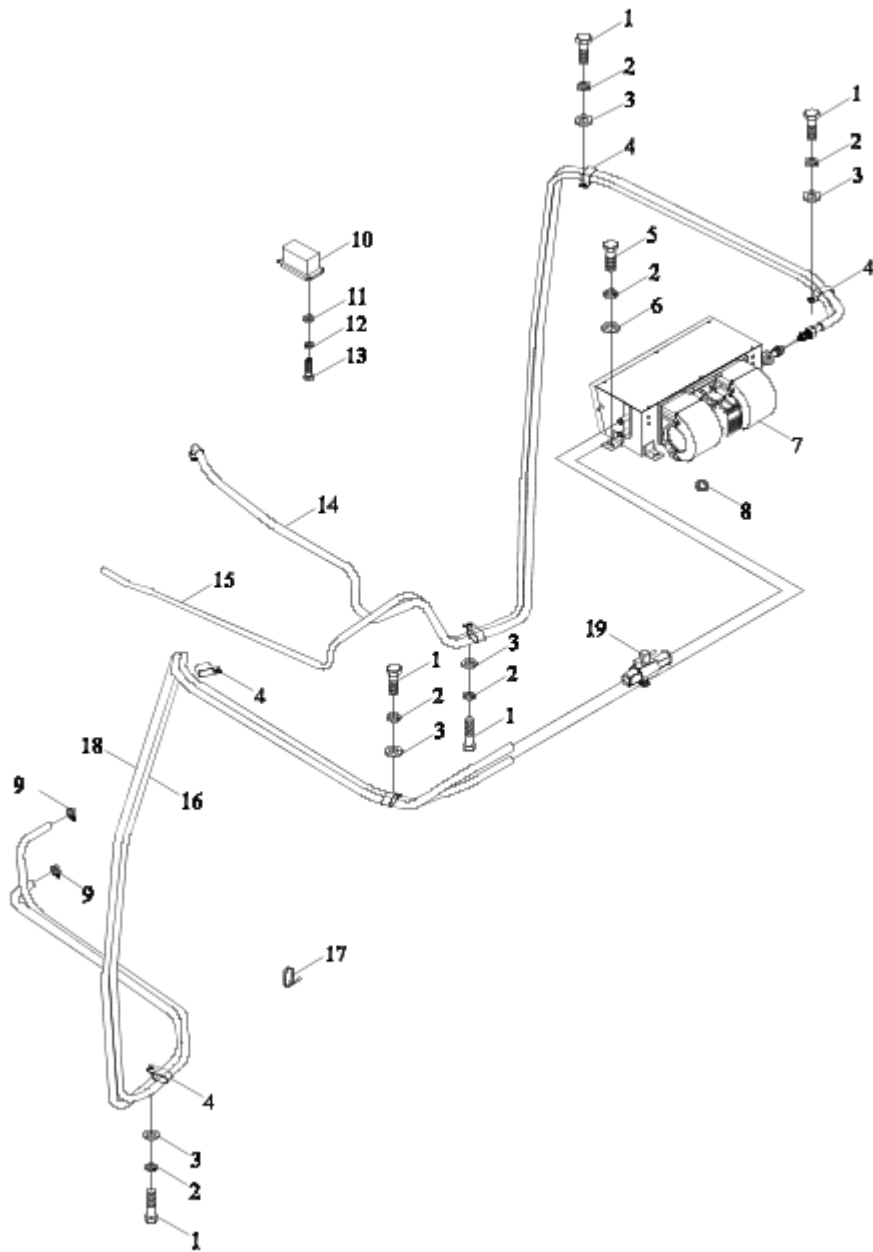
TS04741010000K FRONT BALLAST BRACKET ASSEMBLY



TS04741010000K FRONT BALLAST BRACKET ASSEMBLY

No.	Part No.	Description	Version	QTY.	Remark
	TS04741010000K	FRONT BALLAST BRACKET ASSEMBLY		1	
1	TB400.74D-01	BALLAST BRACKET		1	
2	TS04741010001K	PAD BLOCK		1	
3	TS04741010002K	DOUBLE END STUDS M16X145		4	
4	GBT93-16-A0P	STANDARD SPRING WASHER		6	
5	GBT6170-M16-8-A3L	HEXAGON NUT, TYPE-1		6	
6	TS04741010003K	DOUBLE END STUDS M16X165		2	

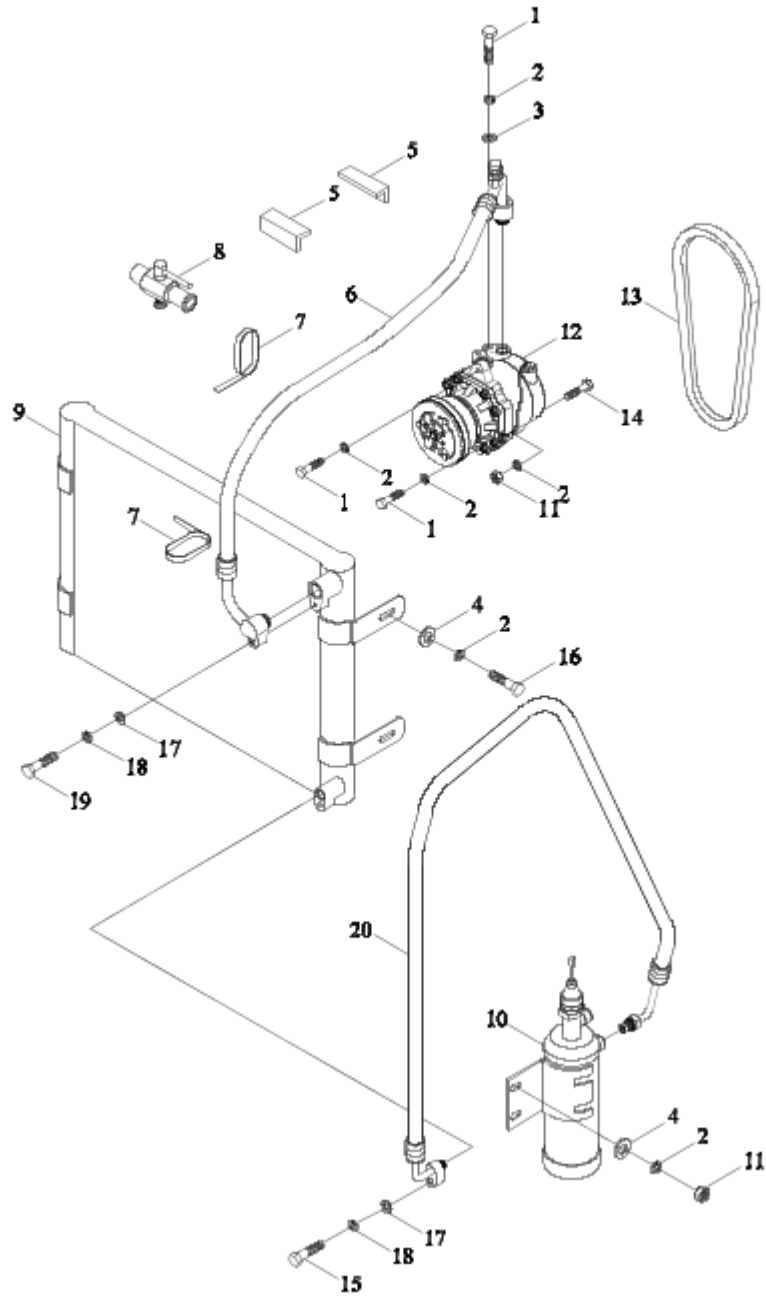
TS0481104000K AIR CONDITION ASSEMBLY-CAB



TS04811040000K AIR CONDITION ASSEMBLY-CAB

No.	Part No.	Description	Version	QTY.	Remark
	TS04811040000K	AIR CONDITION ASSEMBLY-CAB		1	
1	GBT5783-M8X16-8.8-A2L	HEXAGON BOLT		4	
2	GBT93-8-A0P	STANDARD SPRING WASHER		10	
3	GBT97.1-8-A0P	FLAT WASHER		6	
4	TS06811010007	LOCKING CLAMP		6	
5	GBT5783-M8X25-8.8-A2L	HEXAGON BOLT		6	
6	GBT96.1-8-A2	BIG WASHER		4	
7	TS06811010002	EVAPORATOR		1	
8	TS06811010013	PROTECTINGRING		4	
9	Q676B25	C-TYPE WORM TRANSMISSION HOSE CLAMP		4	
10	TS06811010001	CONTROL PANEL		1	
11	GBT97.1-5-A0P	FLAT WASHER		4	
12	GBT93-5-A0P	STANDARD SPRING WASHER		4	
13	GBT818-M5X16-4.8-A2L	CROSS SCREW		4	
14	TS04811030001K	PIPE		1	
15	TS04811010003	PIPE		1	
16	TC02811020002	WATER INLET HOSE OF WARM AIR		1	
17	Q67407200	PLASTIC FASTENING STRIP		16	
18	TS04810010002K	WATER OUT HOSE OF WARM AIR		1	
19	TS04812010010	HEATER WATER INLET VALVE		1	

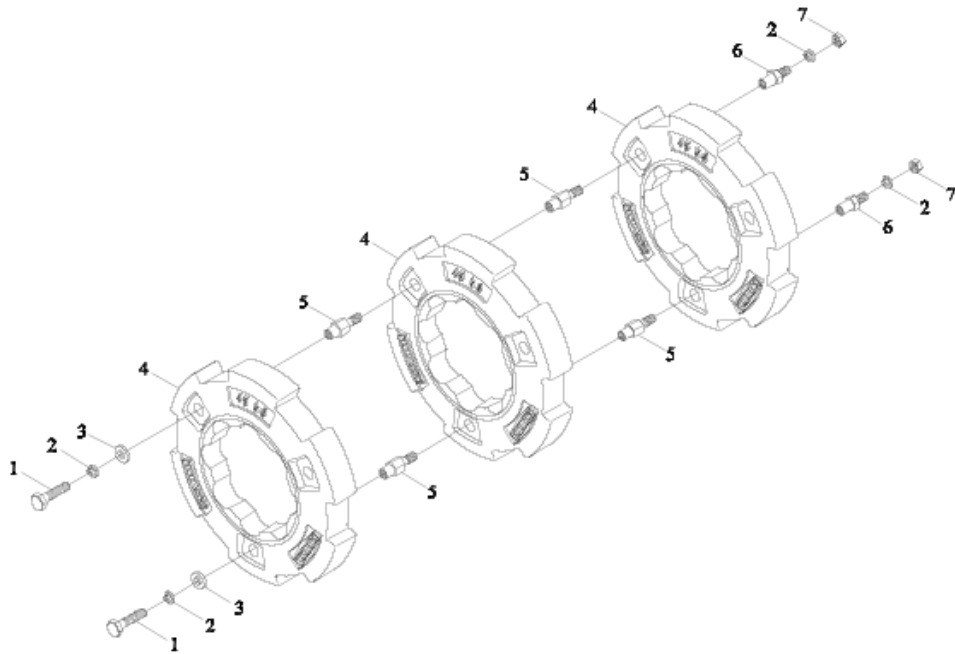
TS04812040000K AIR CONDITION ASSEMBLY-ENGINE



TS04812040000K AIR CONDITION ASSEMBLY-ENGINE

No.	Part No.	Description	Version	QTY.	Remark
	TS04812040000K	AIR CONDITION ASSEMBLY-ENGINE		1	
1	GBT5783-M8X30-8.8-A2L	HEXAGON BOLT		4	
2	GBT93-8-A0P	STANDARD SPRING WASHER		11	
3	GBT97.1-8-A0P	FLAT WASHER		4	
4	GBT96.1-8-A0P	BIG WASHER		6	
5	TS06812010005	GLUEPIECE		2	
6	TS04812040001K	CONDENSER-COMPRESSOR HIGH PRESSURE HOSE		1	
7	Q67407200	PLASTIC FASTENING STRIP		6	
8	TS04812010010	HEATER WATER INLET VALVE		1	
9	TS04812010001	CONDENSER ASSEMBLY		1	
10	TS04812010003	LIQUID TANK		1	
11	GBT6170-M8-8-A2L	HEXAGON NUT, TYPE-1		3	
12	TS04812010007	COMPRESSOR		1	
13	GBT1171-Z800	V-BELT		1	
14	GBT5783-M8X40-8.8-A2L	HEXAGON BOLT		1	
15	GBT5783-M6X25-8.8-A2L	HEXAGON BOLT		1	
16	GBT5783-M8X16-8.8-A2L	HEXAGON BOLT		4	
17	GBT97.1-6-A0P	FLAT WASHER		2	
18	GBT93-6-A0P	STANDARD SPRING WASHER		2	
19	GBT5783-M6X30-8.8-A2L	HEXAGON BOLT		1	
20	TS04812010004	CONDENSER-DRYING BOTTLE HIGH PRESSURE HOSE		1	

FT300. 91. 001 REAR BALLAST ASSEMBLY



FT300. 91. 001 REAR BALLAST ASSEMBLY

No.	Part No.	Description	Version	QTY.	Remark
1	GBT5783-M16X45-8.8-A3L	BOLT		3	
2	GBT93-16-A0P	WASHER		6	
3	FT650.34.104	WASHER		3	
4	FT300.91.101	REAR BALLAST		3	
5	FT650.34.103	REAR BALLAST SCREW 2		6	
6	FT400.91.102	REAR BALLAST SCREW I		3	
7	GBT6170-M16-8-A3L	NUT		3	