

Lovol Tractor Illustration books of parts (TS4A504-026C)

Lovol Heavy Industry International Trading Co.,Ltd

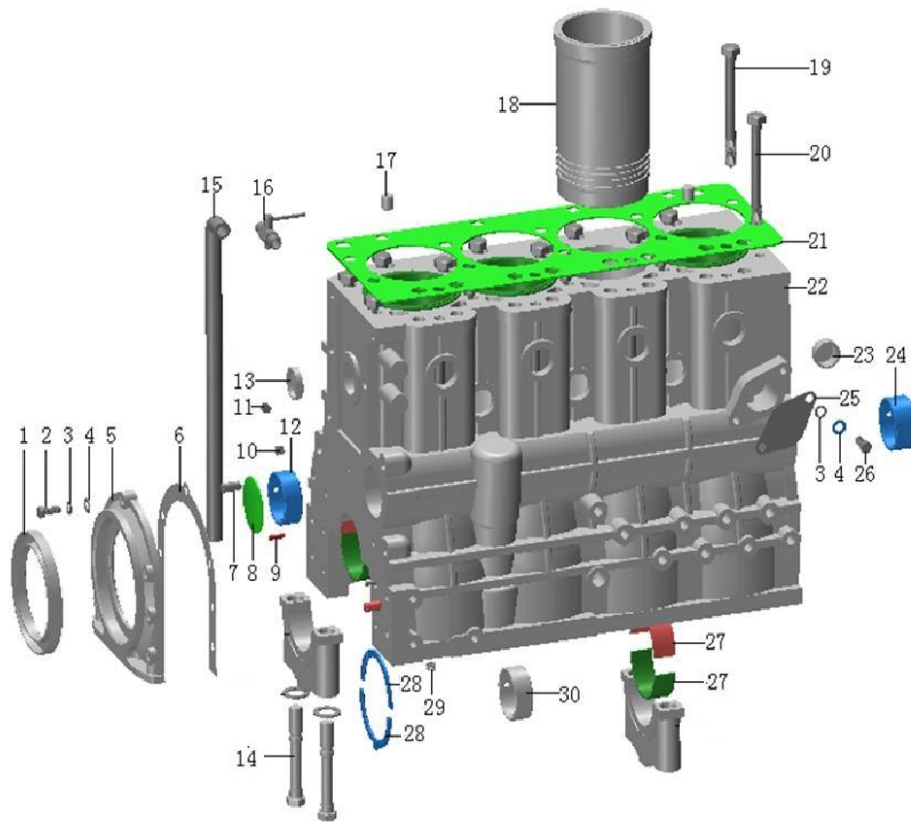
CONTENTS

| | |
|---|-----|
| ◆ QC498T50-C04-143 ENGINE ASSY | 1 |
| ◆ TS04110050000K AIR FILTER SYSTEM ASSEMBLY | 51 |
| ◆ TS04131070000K COOLING SYSTEM ASSEMBLY | 53 |
| ◆ TS04132030000K RADIATOR BACKING BOARD INSTALLATION ASSEMBLY | 57 |
| ◆ TB500. 133C WATER GUARD NET INSTALLATION ASSEMBLY | 59 |
| ◆ TS04201010000 HAND THROTTLE CONTROL ASSEMBLY | 61 |
| ◆ TS04202010000 FOOT THROTTLE CONTROL ASSEMBLY | 63 |
| ◆ TS04203010000K PULL WIRE ASSEMBLY | 65 |
| ◆ TB550. 211B CLUTCH ASSEMBLY | 67 |
| ◆ TB604. 212 CLUTCH CONTROL ASSEMBLY | 71 |
| ◆ TS04220010000 EXHAUST SYSTEM ASSEMBLY | 74 |
| ◆ TC02311020000 FRONT DRIVING AXLE ASSEMBLY | 76 |
| ◆ TB554. 312 FRONT BRACKET ASSEMBLY | 88 |
| ◆ FT404. 32F. 001 FRONT DRIVING WHEEL ASSEMBLY | 90 |
| ◆ FT404. 34F. 001 REAR DRIVING WHEEL ASSEMBLY | 92 |
| ◆ TB400. 35C TOWING MECHANISM INSTALLATION ASSEMBLY | 94 |
| ◆ TB604. 371A GEARBOX HOUSING ASSEMBLY | 96 |
| ◆ TB604. 372T MAIN GEARSHIFT ASSEMBLY | 98 |
| ◆ TB604. 373T AUXILIARY GEARSHIFT ASSEMBLY | 102 |
| ◆ TS04374010000 GEARBOX CONTROL MECHANISM ASSEMBLY | 105 |
| ◆ TB604. 375B BREATH ASSEMBLY | 113 |
| ◆ TB554. 381 SHUTTLE SHIFT ASSEMBLY | 115 |
| ◆ TB504. 382 REAR AXLE CENTRAL TRANSMISSION ASSEMBLY | 117 |
| ◆ TS04383010000 DIFFERENTIAL LOCK CONTROL MECHANISM ASSEMBLY | 121 |
| ◆ TC02384010000K REAR AXLE HOUSING ASSEMBLY | 123 |
| ◆ TS04385010000 SHUTTLE SHIFT CONTROL MECHANISM | 125 |
| ◆ TB450. 391 LEFT FINAL TRANSMISSION ASSEMBLY | 127 |
| ◆ TB450. 392 RIGHT FINAL TRANSMISSION ASSEMBLY | 130 |
| ◆ TC04401080000 REDIRECTOR OR STEERING COLUMN ASSEMBLY | 133 |
| ◆ TC02402210000K FULL HYDRAULIC STEERING PIPE ASSEMBLY | 135 |
| ◆ TC02411010000K PTO GEAR ASSEMBLY | 140 |
| ◆ TB550. 412A PTO SHAFT ASSEMBLY | 143 |
| ◆ TS04413010000 PTO CONTROL ASSEMBLY | 145 |
| ◆ TB554. 421E TRANSFER CASE ASSEMBLY | 148 |
| ◆ TB454. 422 TRANSFER CASE TRANSMISSION ASSEMBLY | 151 |

| | |
|---|-----|
| ◆ TS04423010000K TRANSFER CASE CONTROL ASSEMBLY | 155 |
| ◆ TB504. 431B LEFT BRAKE ASSEMBLY | 157 |
| ◆ TB504. 432B RIGHT BRAKE ASSEMBLY | 159 |
| ◆ TS04433010000K BRAKE SYSTEM CONTROL ASSEMBLY | 161 |
| ◆ TS04441010000 SEAT INSTALLATION ASSEMBLY | 167 |
| ◆ TS04451030000K DRIVER' S CAB ASSEMBLY | 169 |
| ◆ TS04453010000 UPHOLSTERY ASSEMBLY | 183 |
| ◆ TS04455010000 BACK REAR MUD GUARD DECORATION PART | 187 |
| ◆ TS04456010000 DASHBOARD ASSEMBLY | 189 |
| ◆ TS04457010000K FRONT CONNECTING ASSEMBLY | 191 |
| ◆ TS04458010000 REAR CONNECTING ASSEMBLY | 193 |
| ◆ TS04459010000 INSULATION LAYER | 195 |
| ◆ TS04471010000K BONNET ASSEMBLY | 197 |
| ◆ TS04473010000 BONNET LOCKING DEVICE ASSEMBLY | 203 |
| ◆ TS04475010000K BONNET SEAL INSTALLATION ASSEMBLY | 205 |
| ◆ TB400. 475A LEFT FRONT MUD GUARD ASSEMBLY | 207 |
| ◆ TB400. 476A RIGHT FRONT MUD GUARD ASSEMBLY | 209 |
| ◆ TS04481030000K ENGINE HARNESS INSTALLATION ASSEMBLY | 211 |
| ◆ TS04482050000K BODY HARNESS INSTALLATION ASSEMBLY | 213 |
| ◆ TS04483020000K FRONT LAMP HARNESS INSTALLATION ASSEMBLY | 215 |
| ◆ TS04484050000K REAR LAMP HARNESS INSTALLATION ASSEMBLY | 217 |
| ◆ TS04485010000 BATTERY INSTALLATION ASSEMBLY | 219 |
| ◆ TS04486010000K TOP LIGHT HARNESS INSTALLATION ASSEMBLY | 221 |
| ◆ TS04487010000 COMBINED INSTRUMENT ASSEMBLY | 224 |
| ◆ TB550. 489 PREHEATING EQUIPMENT ASSEMBLY | 226 |
| ◆ TS04490010000 TOOL BOX ASSEMBLY | 228 |
| ◆ TS04501020000K OIL TANK INSTALLATION ASSEMBLY | 230 |
| ◆ TS04503010000 OIL CONVEYING PIPE ASSEMBLY | 234 |
| ◆ TC02530010000K TOW | 236 |
| ◆ TC02551050000K LIFTER INSTALLATION ASSEMBLY | 238 |
| ◆ TS04552010000 LIFTER OPERATION ASSEMBLY | 246 |
| ◆ TC02553050000K HYDRAULIC AUXILIARY OIL TANK ASSEMBLY | 248 |
| ◆ TC02561060000K SUSPENSION ASSEMBLY | 250 |
| ◆ TC02581260000K OIL PUMP/PIPE/FILTER ASSEMBLY | 254 |
| ◆ TC02582100000K MULTI-WAY VALVE OIL PIPE ASSEMBLY | 256 |
| ◆ TB300. 583A SINGLE-WAY HYDRAULIC OUTPUT ASSEMBLY 2 | 259 |
| ◆ TC02740010000K FRONT BALLAST ASSEMBLY | 261 |

| | |
|---|-----|
| ◆ TS04741010000K FRONT BALLAST BRACKET ASSEMBLY | 263 |
| ◆ TS04810010000K HEATER SYSTEM ASSEMBLY | 265 |
| ◆ FT300. 91. 001 REAR BALLAST ASSEMBLY | 267 |

QC498T50-C04-143 ENGINE ASSY-1



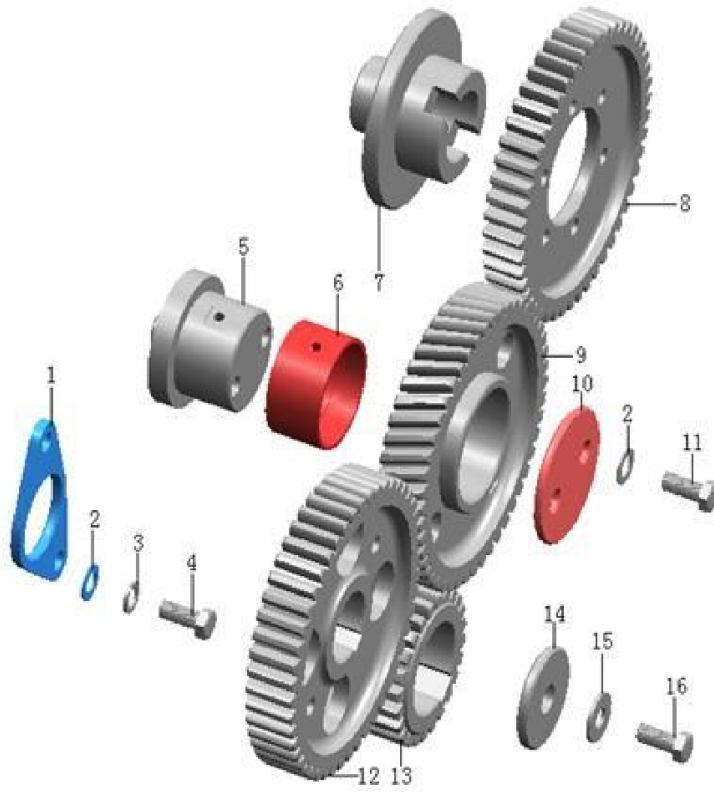
QC498T50-C04-143 ENGINE ASSY-1

| No. | Part No. | Description | Ver- sion | QTY. | Remark |
|-----|------------------------|------------------------------|--------------|------|--------|
| | QC498T50-C04-143 | ENGINE ASSY | | | |
| 1 | GBT9877.1-FB100X130X12 | INNER SKELETON SEAL RING | | 1 | |
| 2 | GBT5783-M8X30 | HEXAGON BOLT | | 5 | |
| 3 | GBT93-8 | WASHER | | 12 | |
| 4 | GBT97.1-8 | WASHER | | 12 | |
| 5 | 2409000101800 | REAR OIL SEAL COVER | | 1 | |
| 6 | 2409000101900 | REAR OIL SEAL COVER GASKET | | 1 | |
| 7 | GBT119.1-B10X25 | COLUMN PIN | | 2 | |
| 8 | 2409000110300 | BOWL PLUG | | 1 | |
| 9 | GBT119.1-B8X20 | COLUMN PIN | | 2 | |
| 10 | 1408500311000 | SCREW PLUG | | 2 | |
| 11 | 2409000110700 | PLUG | | 5 | |
| 12 | 2409000110200 | REAR BUSH OF CAMSHAFT | | 1 | |
| 13 | 2410200210300 | BOWL PLUG | | 2 | |
| 14 | 2409000110900 | MAIN BEARING COVER BOLT | | 10 | |
| 15 | 2409000101400 | DRAIN VALVE CONNECTING PIPE | | 1 | |
| 16 | 2409000103700 | DRAIN VALVE BLOCK | | 1 | |
| 17 | 2409500102900 | CYLINDER COVER LOCATING BUSH | | 2 | |
| 18 | 2409800100200 | CYLINDER BUSH | | 4 | |
| 19 | 2409530100400 | BOLT | | 4 | |
| 20 | 2409000100300 | BOLT | | 14 | |
| 21 | 2409530100502 | CYLINDER COVER GASKET | | 1 | |
| 22 | 2409800100000 | CYLINDER BLOCK | | 1 | |
| 23 | 1408500310200 | BOWL PLUG | | 10 | |
| 24 | 2409000110600 | FRONT BUSH OR CAMSHAFT | | 1 | |
| 25 | 2409000103600 | WATER INNER PLATE | | 1 | |
| 26 | GBT5783-M8X15 | BOLT | | 2 | |
| 27 | 2409500102500/2600 | MAIN BEARING | | 5 | |
| 28 | 2409000102100/2200 | CRANKSHAFT THRUST PIECE | | 2 | |

QC498T50-C04-143 ENGINE ASSY-1 (cont'd.)

| No. | Part No. | Description | Version | QTY. | Remark |
|-----|---------------|----------------------------|---------|------|--------|
| 29 | 1408500311000 | SCREW PLUG | | 1 | |
| 30 | 2409000110500 | MIDDLE BUSH OF CAMSHAFT | | 1 | |

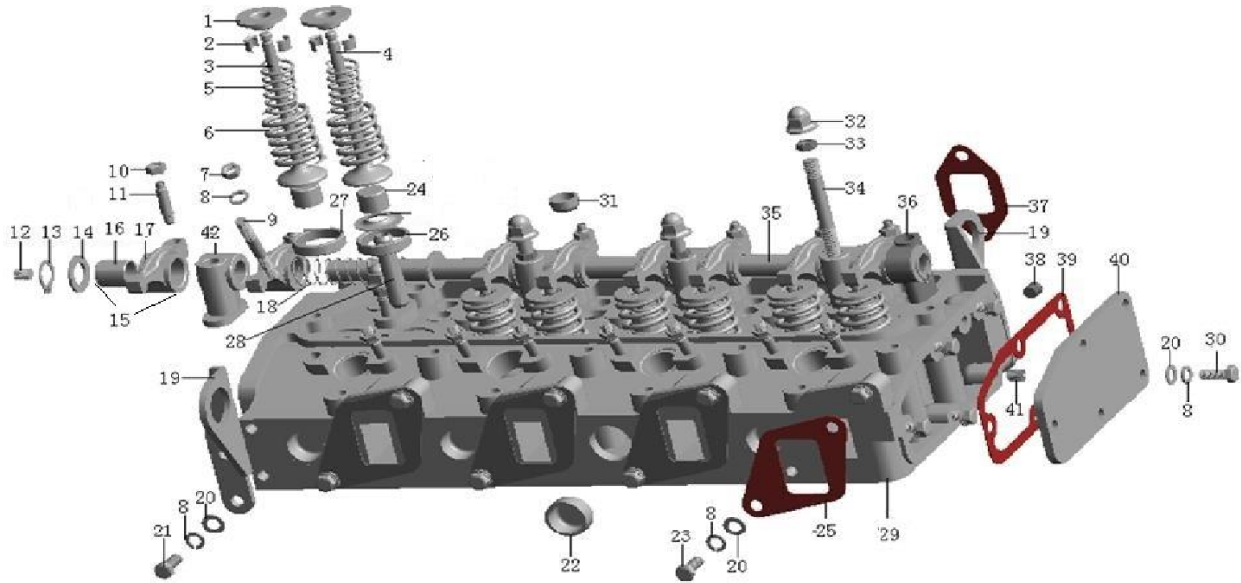
QC498T50-C04-143 ENGINE ASSY-2



QC498T50-C04-143 ENGINE ASSY-2

| No. | Part No. | Description | Version | QTY. | Remark |
|-----|----------------|---|---------|------|--------|
| 1 | 2409000200800 | CAMSHAFT THRUST PLATE | | 1 | |
| 2 | GBT97.1-8 | WASHER | | 28 | |
| 3 | GBT93-8 | WASHER | | 29 | |
| 4 | GBT5783-M8X18 | HEXAGON BOLT | | 2 | |
| 5 | 2409000200400 | TIMING IDLE GEAR SHAFT | | 1 | |
| 6 | 2409000210200 | TIMING IDLE GEAR BUSH | | 1 | |
| 7 | 2409000201404 | OIL INJECTION PUMP TIM- ING GEAR CONNECTING PLATE | | 1 | |
| 8 | 2409000200300 | OIL INJECTION PUMP TIM- ING GEAR | | 1 | |
| 9 | 2409000210000 | TIMING IDLE GEAR | | 1 | |
| 10 | 2409000201200 | IDLE GEAR SHAFT PRESS PLATE | | 1 | |
| 11 | GBT5782-M8X55 | HEXAGON BOLT | | 2 | |
| 12 | 2409000200900 | CAMSHAFT TIMING GEAR | | 1 | |
| 13 | 2409000200700 | CRANKSHAFT TIMING GEAR | | 1 | |
| 14 | 2410200500600 | CAMSHAFT TIMING GEAR PRESSURE PLATE | | 1 | |
| 15 | GBT93-12 | WASHER | | 1 | |
| 16 | GBT5782-M12X45 | HEXAGON BOLT | | 1 | |

QC498T50-C04-143 ENGINE ASSY-3



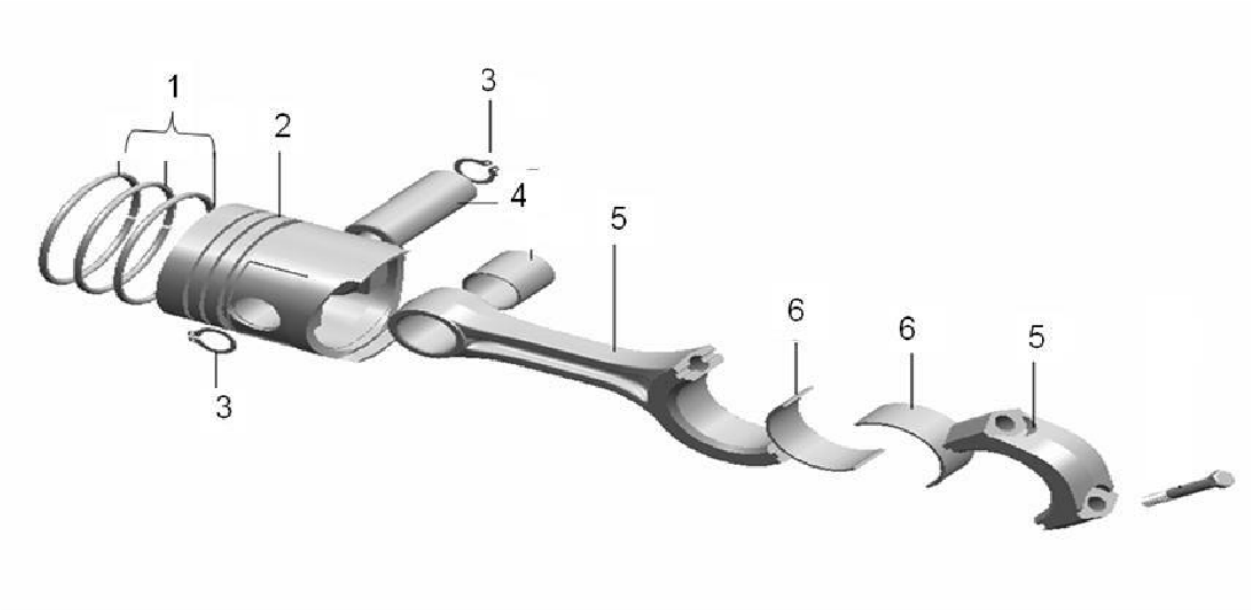
QC498T50-C04-143 ENGINE ASSY-3

| No. | Part No. | Description | Ver- sion | QTY. | Remark |
|-----|----------------|--------------------------------------|--------------|------|--------|
| 0 | 2409530310000 | CYLINDER COVER | | 1 | |
| 0 | 2409500320000 | VALVE ROCKER SHAFT ASSEMBLY | | 1 | |
| 1 | 2409530300700 | VALVE SPRING UPPER SEAT | | 8 | |
| 2 | 2409530300600 | VALVE COLLET | | 16 | |
| 3 | 2409530301500 | EXHAUST VALVE | | 4 | |
| 4 | 2409530301400 | AIR INLET VALVE | | 4 | |
| 5 | 2409000300500 | VALVE INNER SPRING | | 8 | |
| 6 | 2409000300400 | VALVE OUTER SPRING | | 8 | |
| 7 | GBT6170-M8 | NUT | | 8 | |
| 8 | GBT93-8 | WASHER | | 8 | |
| 9 | 2408000300101 | OIL INJECTOR PRESSURE PLATE BOLT | | 8 | |
| 10 | 1408500220300 | VALVE CLEARANCE AD- JUSTING NUT | | 8 | |
| 11 | 2409000320300 | VALVE CLEARANCE AD- JUSTING SCREW | | 8 | |
| 12 | GBT73-M10X1X10 | SLOTTED LOCKING SCREW | | 2 | |
| 13 | GBT894.1-18 | RETAINER RING | | 2 | |
| 14 | 2409000320100 | GASKET | | 8 | |
| 15 | 2409000321000 | VALVE ROCKER | | 8 | |
| 16 | 2409000321200 | VALVE ROCKER BUSH | | 8 | |
| 17 | 2409000321100 | VALVE ROCKER | | 8 | |
| 18 | 2409000320500 | VALVE ROCKER SPRING | | 3 | |
| 19 | 1408500200400 | CONDOLE EAR | | 2 | |
| 20 | GBT93-8 | WASHER | | 47 | |
| 21 | GBT5783-M8X20 | BOLT | | 4 | |
| 22 | 2410200110800 | BOWL PLUG | | 4 | |
| 23 | GBT5783-M8X30 | HEXAGON BOLT | | 8 | |
| 24 | 2409530301100 | VALVE OIL SEAL ASSEMBLY | | 8 | |
| 25 | 2409000300200 | AIR INLET PIPE GASKET | | 4 | |
| 26 | 2409530310800 | EXHAUST VALVE SEAT | | 4 | |
| 27 | 2409530310700 | AIR INLET VALVE SEAT | | 4 | |
| 28 | 2409530310200 | AIR INLET VALVE GUIDE PIPE | | 4 | |

QC498T50-C04-143 ENGINE ASSY-3 (cont'd.)

| No. | Part No. | Description | Version | QTY. | Remark |
|-----|---------------|------------------------------|---------|------|--------|
| 28 | 2409530311100 | EXHAUST VALVE GUARD PIPE | | 4 | |
| 29 | 2409530310100 | CYLINDER COVER | | 1 | |
| 30 | GBT5783-M8X20 | BOLT | | 6 | |
| 31 | 2409500310300 | BOWL PLUG | | 3 | |
| 32 | GBT923-M10 | CAP NUT | | 4 | |
| 33 | 2409000301600 | NUT | | 4 | |
| 34 | 2409000300100 | BOLT OF ROCKER ARM SEAT | | 4 | |
| 35 | 2409500320600 | ROCKER SHAFT | | 1 | |
| 36 | 2409500320700 | REAR ROCKER SHAFT | | 1 | |
| 37 | 2409000300300 | EXHAUST PIPE GASKET | | 4 | |
| 38 | 2409500310600 | PLUG | | 4 | |
| 39 | 2409000301300 | REAR END COVER GASKET | | 1 | |
| 40 | 2409000301200 | REAR END COVER | | 1 | |
| 41 | 2409500310900 | PLUG | | 2 | |
| 42 | 2409500320400 | PRECEDING ROCKER ARM SEAT | | 4 | |

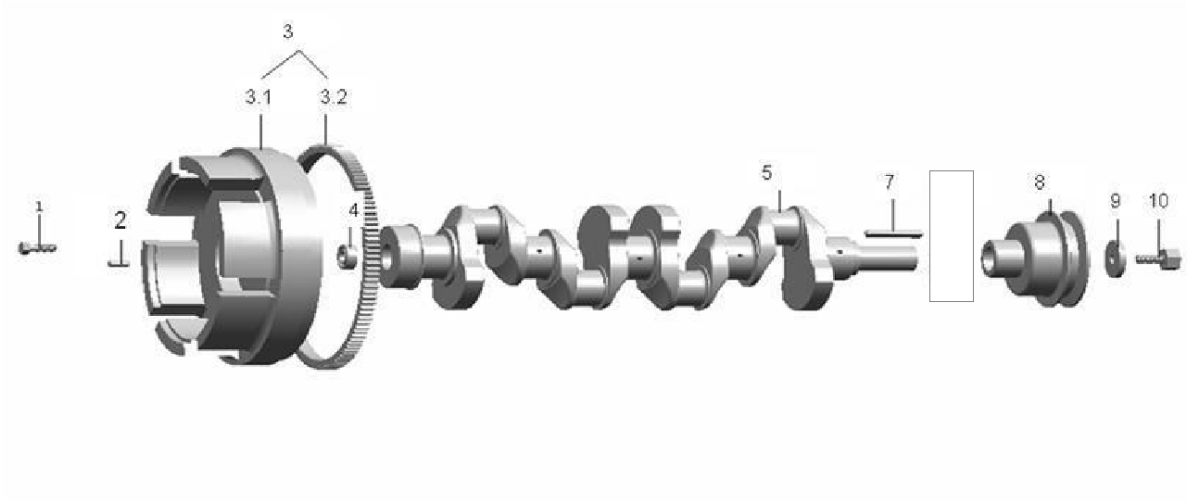
QC498T50-C04-143 ENGINE ASSY-4



QC498T50-C04-143 ENGINE ASSY-4

| No. | Part No. | Description | Version | QTY. | Remark |
|-----|---------------|-------------------------|---------|------|--------|
| 1 | 2409800410000 | PISTON RING ASSEMBLY | | 4 | |
| 2 | 2409800400100 | PISTON | | 4 | |
| 3 | GBT983.1-29 | CIRCLIPS FOR HOLE | | 8 | |
| 4 | 2409800400400 | PISTON PIN | | 4 | |
| 5 | 2409800420000 | CONNECTING ROD ASSEMBLY | | 4 | |
| 6 | 2409500420300 | CONNECTING ROD BEARING | | 8 | |

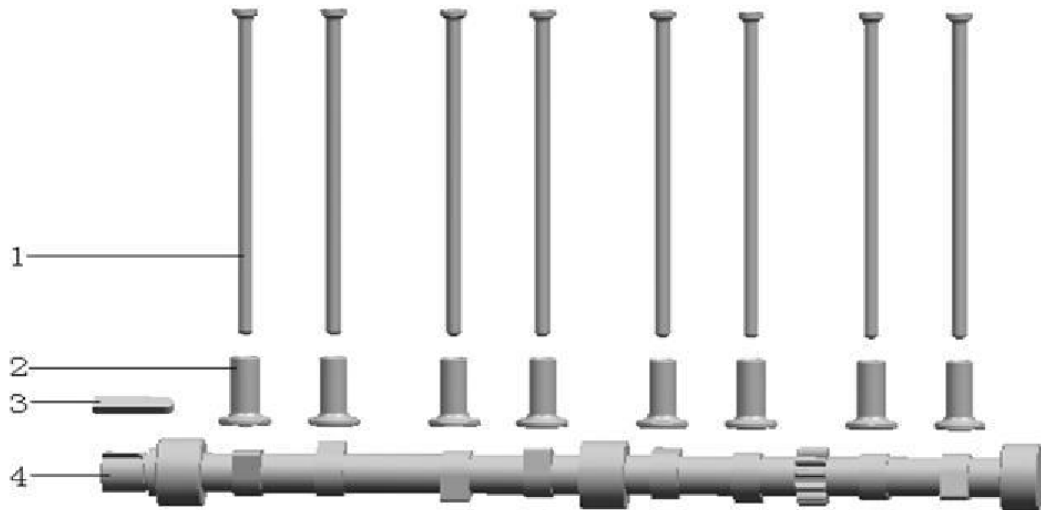
QC498T50-C04-143 ENGINE ASSY-5



QC498T50-C04-143 ENGINE ASSY-5

| No. | Part No. | Description | Ver- sion | QTY. | Remark |
|-----|-----------------|--------------------------------|--------------|------|--------|
| 1 | 2409000500201 | FLYWHEEL BOLT | | 8 | |
| 2 | GBT119.1-B10X25 | COLUMN PIN | | 1 | |
| 3 | 2409000510035 | FLYWHEEL RING GEAR ASSEMBLY | | 1 | |
| 3.1 | 2409000510135 | FLY WHEEL | | 1 | |
| 3.2 | 2409000510200 | FLYWHEEL GEAR RING | | 1 | |
| 4 | GBT276-6203 | BEARING | | 1 | |
| 5 | 2409500500400 | CRANK SHAFT | | 1 | |
| 7 | GBT1096-A12X63 | FLAT KEY | | 1 | |
| 8 | 2409000500607 | CRANKSHAFT BELT PULLEY | | 1 | |
| 9 | 1408500600200 | STARTING CLAW WASHER | | 1 | |
| 10 | 1408500600200 | STARTING CLAW WASHER | | 1 | |

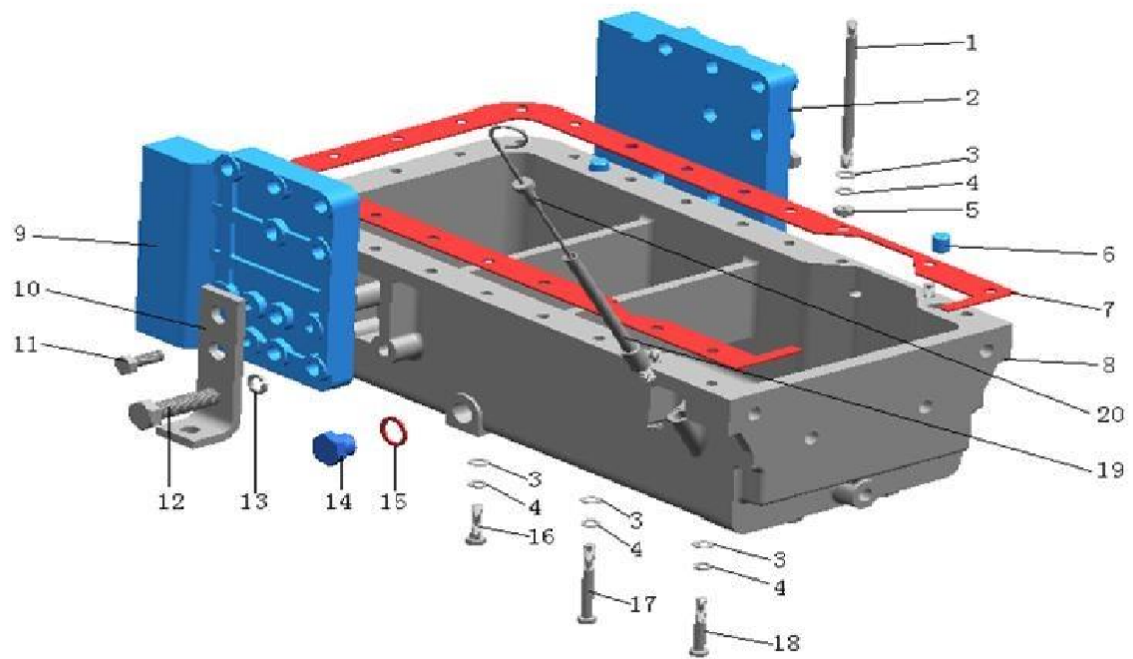
QC498T50-C04-143 ENGINE ASSY-6



QC498T50-C04-143 ENGINE ASSY-6

| No. | Part No. | Description | Ver- sion | QTY. | Remark |
|-----|---------------|----------------|--------------|------|--------|
| 1 | 2409000600300 | VALVE PUSH ROD | | 8 | |
| 2 | 2409000600200 | VALVE TAPPET | | 8 | |
| 3 | GBT1096-C8X22 | FLAT KEY | | 1 | |
| 4 | 2409000600102 | CAM SHAFT | | 1 | |

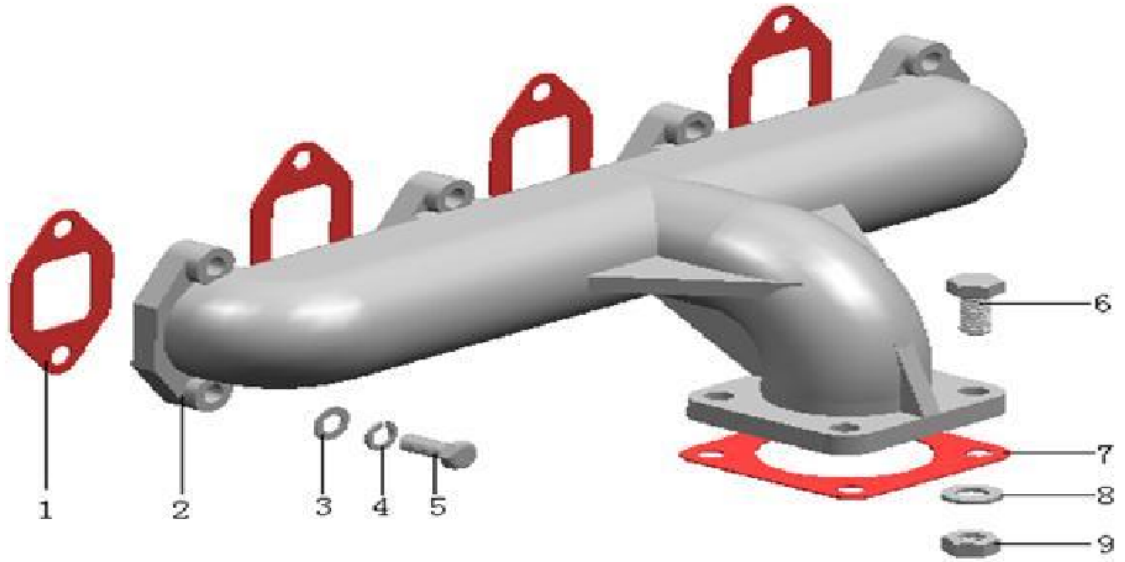
QC498T50-C04-143 ENGINE ASSY-7



QC498T50-C04-143 ENGINE ASSY-7

| No. | Part No. | Description | Version | QTY. | Remark |
|-----|-----------------|-------------------------------|---------|------|--------|
| 1 | 2409000700700 | STUD | | 2 | |
| 2 | 2409000700502 | RIGHT CONNECTING PLATE | | 1 | |
| 3 | GBT93-8 | WASHER | | 25 | |
| 4 | GBT97.1-8 | WASHER | | 25 | |
| 5 | GBT6170-M8 | NUT | | 4 | |
| 6 | GBT119.1-B14X16 | COLUMN PIN | | 2 | |
| 7 | 2409000700101 | OIL SUMP GASKET | | 1 | |
| 8 | 2409000700200 | OIL PAN PART | | 1 | |
| 9 | 2409000700602 | LEFT CONNECTING PLATE | | 1 | |
| 10 | 2409000700900 | FRONT SUPPORT FOOT | | 2 | |
| 11 | GBT5783-M16X30 | HEXAGON BOLT | | 4 | |
| 12 | GBT5782-M16X60 | HEXAGON BOLT | | 12 | |
| 13 | GBT93-16 | WASHER | | 12 | |
| 14 | 1408501100301 | OIL DISCHARGING SCREW PLUG | | 1 | |
| 15 | JBT982-8 | COMBINED GASKET | | 1 | |
| 16 | GBT5782-M8X40 | HEXAGON BOLT | | 9 | |
| 17 | 2409000700800 | DOUBLE END STUDS | | 2 | |
| 18 | GBT5782-M8X75 | HEXAGON BOLT | | 2 | |
| 19 | 2408000140200 | OIL DIPSTICK PIPE | | 1 | |
| 20 | 2409000722004 | OIL DIPSTICK ASSEMBLY | | 1 | |

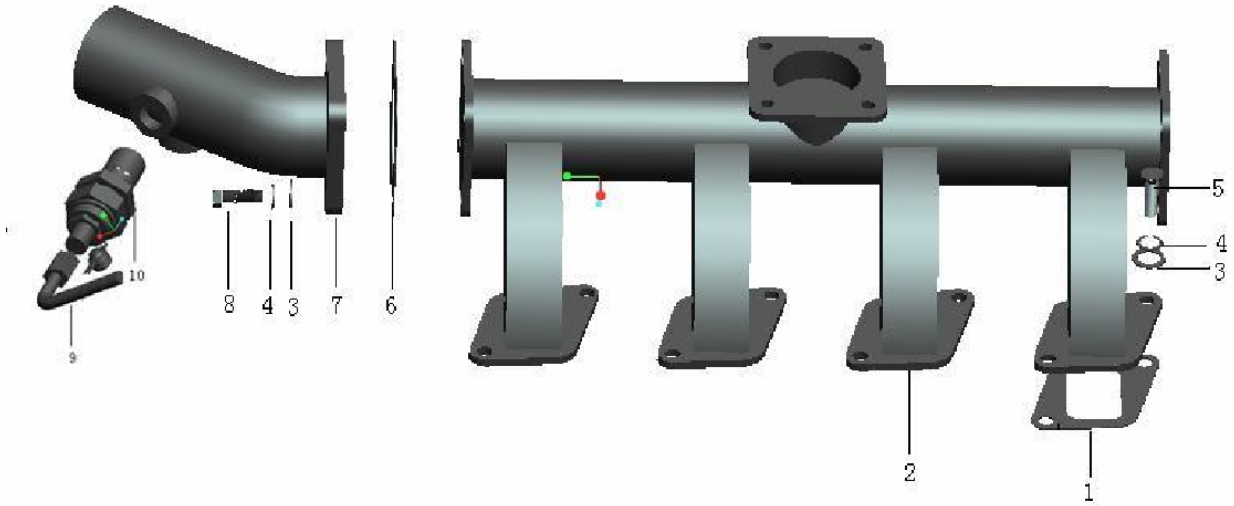
QC498T50-C04-143 ENGINE ASSY-8



QC498T50-C04-143 ENGINE ASSY-8

| No. | Part No. | Description | Version | QTY. | Remark |
|-----|----------------|---------------------|---------|------|--------|
| 1 | 2409000300300 | EXHAUST PIPE GASKET | | 4 | |
| 2 | 2409000800118 | EXHAUST PIPE | | 1 | |
| 3 | GBT97.1-8 | WASHER | | 8 | |
| 4 | GBT93-8 | WASHER | | 8 | |
| 5 | GBT5783-M8X25 | BOLT | | 8 | |
| 6 | GBT899-AM10X25 | STUD | | 2 | |
| 7 | 2409000800202 | GASKET | | 1 | |
| 8 | GBT93-10 | WASHER | | 2 | |
| 9 | GBT6170-M10 | NUT | | 2 | |

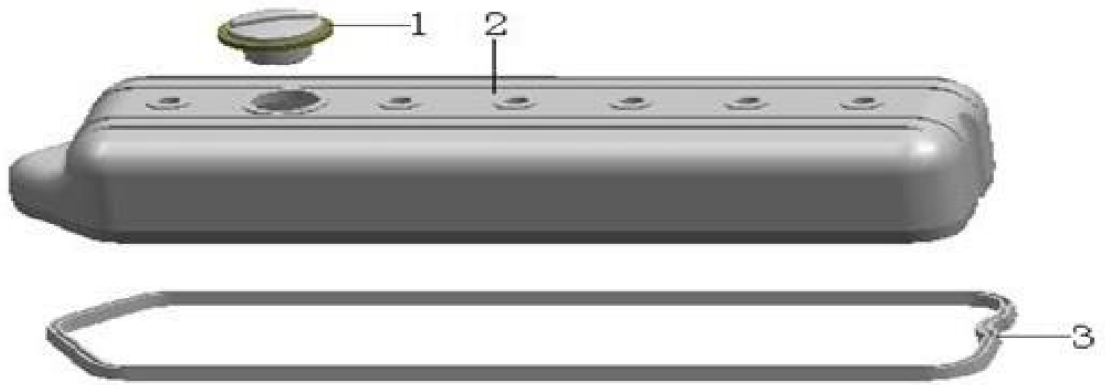
QC498T50-C04-143 ENGINE ASSY-9



QC498T50-C04-143 ENGINE ASSY-9

| No. | Part No. | Description | Ver- sion | QTY. | Remark |
|-----|---------------|-------------------------------------|--------------|------|--------|
| 1 | 2409000300200 | AIR INLET PIPE GASKET | | 4 | |
| 2 | 2409000900102 | AIR INLET PIPE | | 1 | |
| 3 | GBT97.1-8 | WASHER | | 12 | |
| 4 | GBT93-8 | WASHER | | 12 | |
| 5 | GBT5783-M8X16 | BOLT | | 8 | |
| 6 | 1408500900300 | AIR INLET CONNECTING PIPE WASHER | | 2 | |
| 7 | 2409000900306 | AIR INLET PIPE JOINT | | 1 | |
| 8 | GBT5782-M8X30 | HEXAGON BOLT | | 4 | |
| 9 | 2410205120000 | PIPELINEACCESSORIES | | 1 | |
| 10 | 2410205110000 | FLAME WARM-UP PLUG | | 1 | |

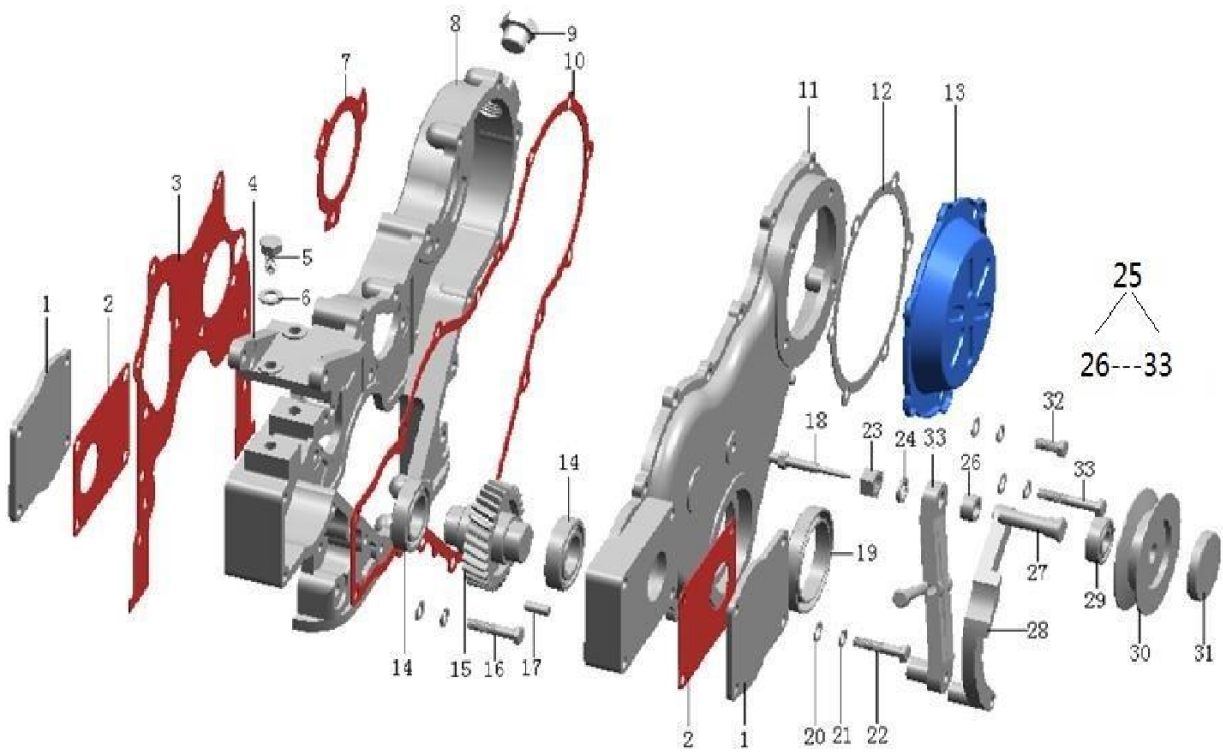
QC498T50-C04-143 ENGINE ASSY-10



QC498T50-C04-143 ENGINE ASSY-10

| No. | Part No. | Description | Version | QTY. | Remark |
|-----|---------------|-----------------------------|---------|------|--------|
| 1 | 2409001110003 | FILLER CAP | | 1 | |
| 2 | 2409501100201 | CYLINDER COVER | | 1 | |
| 3 | 2409501100300 | CYLINDER COVER SEAL RING | | 1 | |

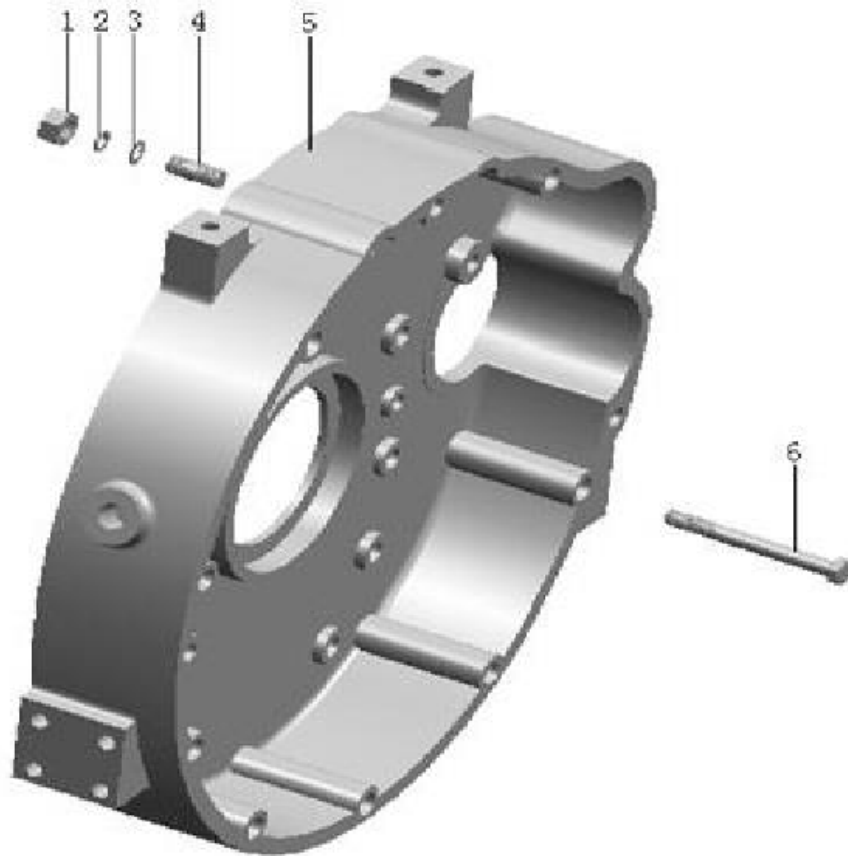
QC498T50-C04-143 ENGINE ASSY-11



QC498T50-C04-143 ENGINE ASSY-11

| No. | Part No. | Description | Ver- sion | QTY. | Remark |
|-----|----------------------|------------------------------|--------------|------|--------|
| 1 | 2410200204701 | COVER PLATE | | 2 | |
| 2 | 2410200204600 | GASKET | | 2 | |
| 3 | 2409001200400 | GEAR CHAMBER GASKET | | 1 | |
| 4 | 2409001200726 | GENERATOR BRACKET | | 1 | |
| 5 | GBT5783-M10X25 | BOLT | | 2 | |
| 6 | GBT97.1-10 | WASHER | | 2 | |
| 7 | 1408501800100 | GASKET | | 1 | |
| 8 | 2409001200316 | GEARCHAMBER | | 1 | |
| 9 | 2410200250003 | FILLER CAP | | 1 | |
| 10 | 2409001200203 | GEAR CHAMBER COVER GASKET | | 1 | |
| 11 | 2409001200103 | GEARCHAMBERCOVER | | 1 | |
| 12 | 2410202300202 | GASKET | | 1 | |
| 13 | 2410200204701 | COVER PLATE | | 1 | |
| 14 | GBT276-6006 | BEARING | | 2 | |
| 15 | 2409000201606 | HYDRAULIC PUMP GEAR | | 1 | |
| 16 | GBT5782-M8X40 | HEXAGON BOLT | | 4 | |
| 17 | GBT119.2-B8X20 | COLUMN PIN | | 2 | |
| 18 | 2409001200901 | TIMING POINTER | | 1 | |
| 19 | GBT9877.1-FB60X80X12 | INNER SKELETON SEAL RING | | 1 | |
| 20 | GBT93-8 | WASHER | | 28 | |
| 21 | GBT97.1-8 | WASHER | | 28 | |
| 22 | GBT5782-M8X65 | HEXAGON BOLT | | 4 | |
| 23 | GBT6170-M12 | NUT | | 1 | |
| 24 | GBT97.1-12 | WASHER | | 1 | |
| 25 | 2409001210000 | TENSIONER ASSEMBLY | | 1 | |

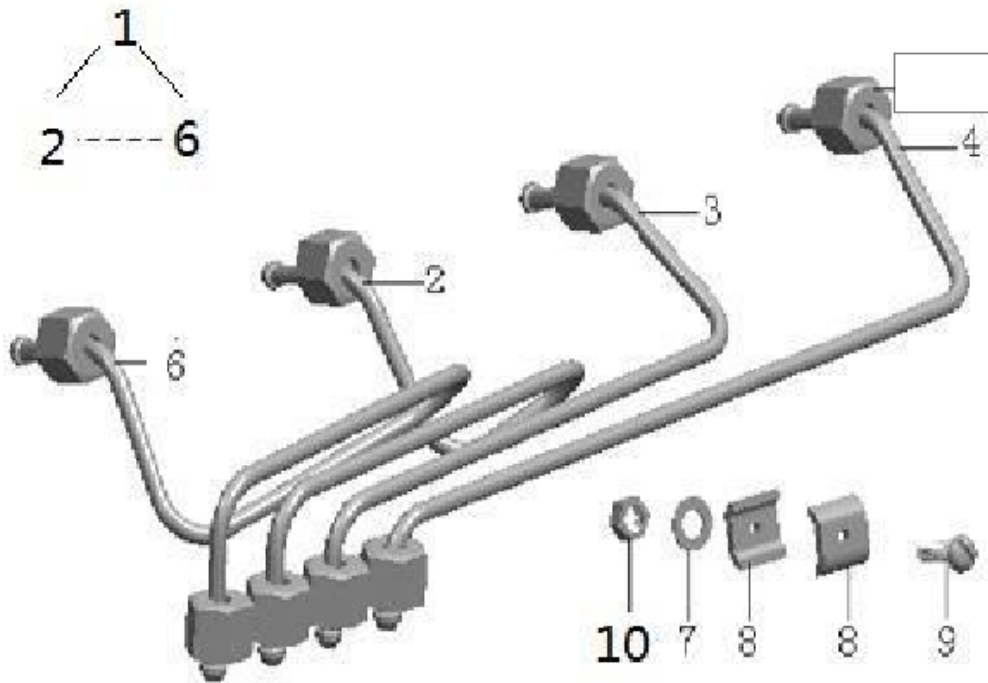
QC498T50-C04-143 ENGINE ASSY-12



QC498T50-C04-143 ENGINE ASSY-12

| No. | Part No. | Description | Ver- sion | QTY. | Remark |
|-----|-----------------|------------------|--------------|------|--------|
| 1 | GBT6170-M12 | NUT | | 2 | |
| 2 | GBT97.1-12 | WASHER | | 2 | |
| 3 | GBT93-12 | WASHER | | 2 | |
| 4 | GBT898-AM12X30 | DOUBLE END STUDS | | 2 | |
| 5 | 2409001300101 | FLYWHEEL HOUSING | | 1 | |
| 6 | GBT5783-M12X110 | BOLT | | 1 | |

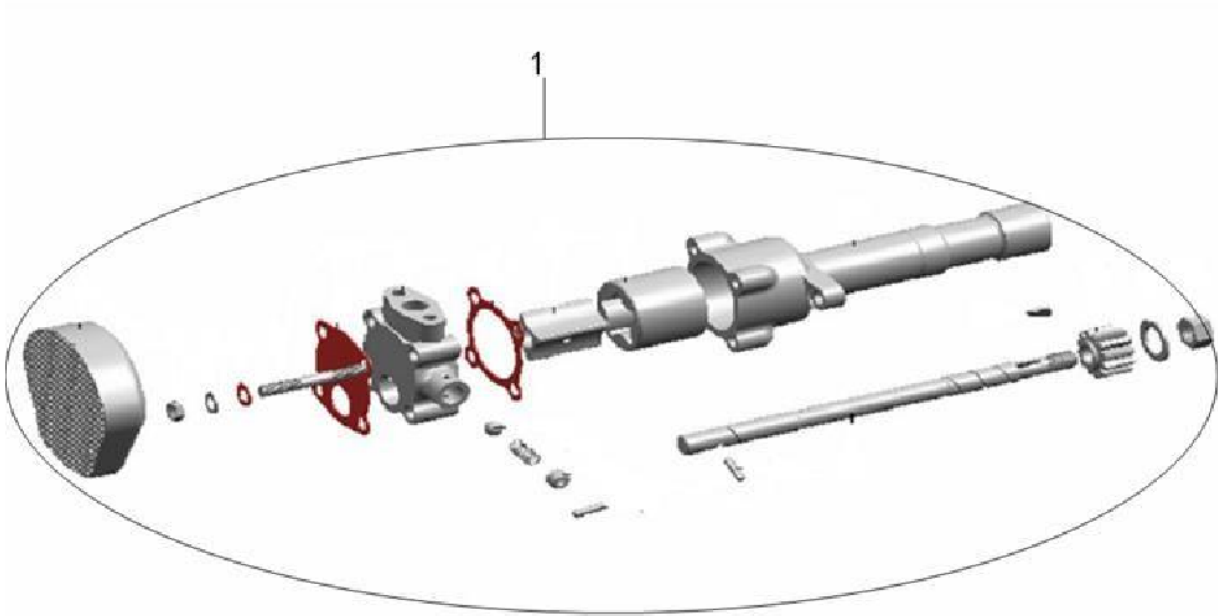
QC498T50-C04-143 ENGINE ASSY-13



QC498T50-C04-143 ENGINE ASSY-13

| No. | Part No. | Description | Version | QTY. | Remark |
|-----|---------------|--|---------|------|--------|
| 1 | 2409001400010 | HIGH PRESSURE OIL PIPE ASSEMBLY | | 1 | |
| 2 | 2409001420010 | HIGH PRESSURE OIL PIPE UNIT OF SECOND CYLINDER | | 1 | |
| 3 | 2409001430010 | HIGH PRESSURE OIL PIPE UNIT OF THIRD CYLINDER | | 1 | |
| 4 | 2409001440010 | HIGH PRESSURE OIL PIPE UNIT OF FOURTH CYLINDER | | 1 | |
| 5 | 1408501410200 | OIL INJECTION PUMP JOINT NUT | | 8 | |
| 6 | 2409001410010 | 1ST CYLINDER HIGH PRESSURE FUEL TUBE | | 1 | |
| 7 | GBT859-5 | WASHER | | 2 | |
| 8 | 2409001450000 | CLIPHOOP | | 4 | |
| 9 | GBT65-M5X20 | SLOTTED COLUMN HEAD SCREW | | 2 | |
| 10 | GBT6170-M5 | NUT | | 2 | |

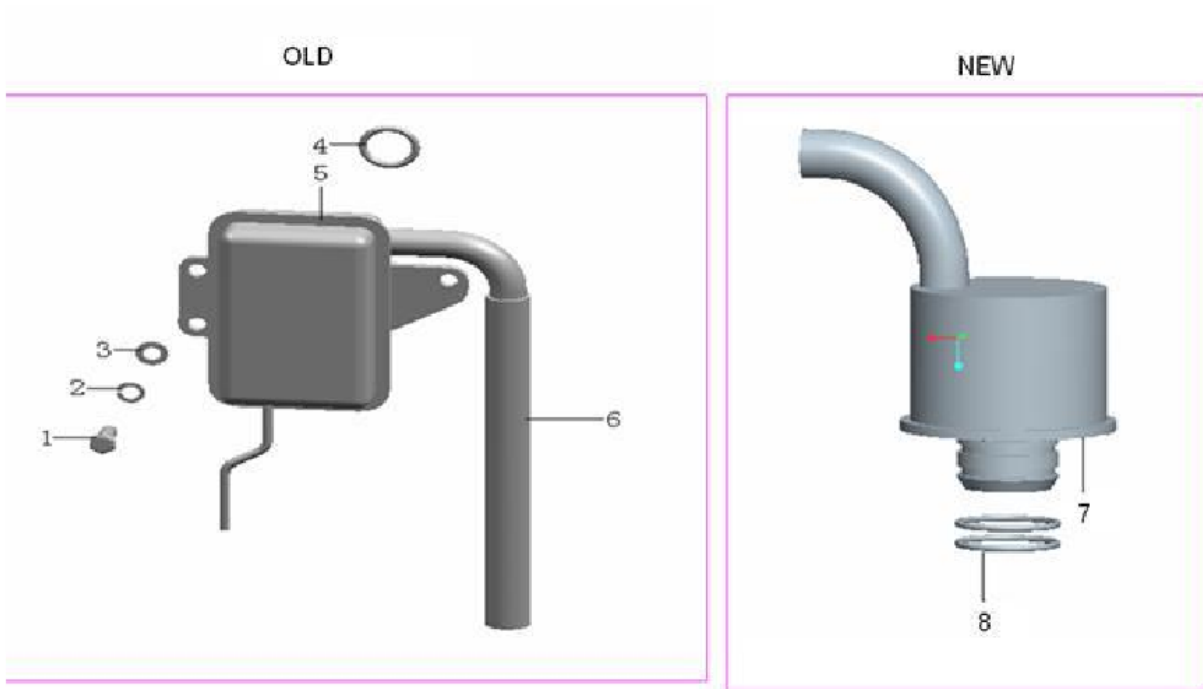
QC498T50-C04-143 ENGINE ASSY-14



QC498T50-C04-143 ENGINE ASSY-14

| No. | Part No. | Description | Ver- sion | QTY. | Remark |
|-----|---------------|-------------------|--------------|------|--------|
| 1 | 2409001500000 | OIL PUMP ASSEMBLY | | 1 | |

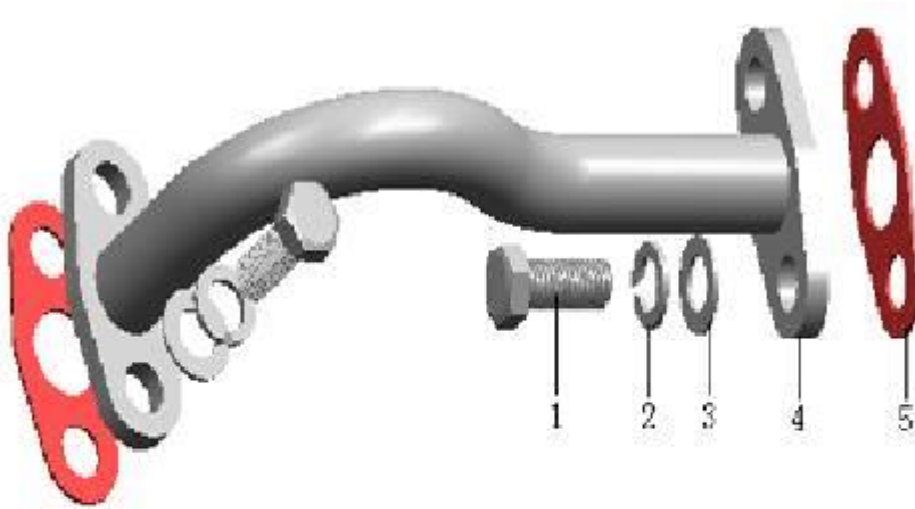
QC498T50-C04-143 ENGINE ASSY-15



QC498T50-C04-143 ENGINE ASSY-15

| No. | Part No. | Description | Version | QTY. | Remark |
|-----|---------------------|--------------------|---------|------|--------|
| 1 | GBT5783-M8X20 | BOLT | | 3 | |
| 2 | GBT97.1-8 | WASHER | | 3 | |
| 3 | GBT93-8 | SPRING WASHER | | 3 | |
| 4 | GBT3452.1-23.6X3.55 | RUBBER O-SEAL RING | | 3 | |
| 5 | 2409001600003 | BREATH ASSEMBLY | | 1 | |
| 6 | 2409001600105 | AIR OUTLET HOSE | | 1 | |
| 7 | GBT97.1-8 | FLAT WASHER | | 3 | |
| 8 | GBT3452.1-26.5X2.65 | RUBBER O-SEAL RING | | 2 | |

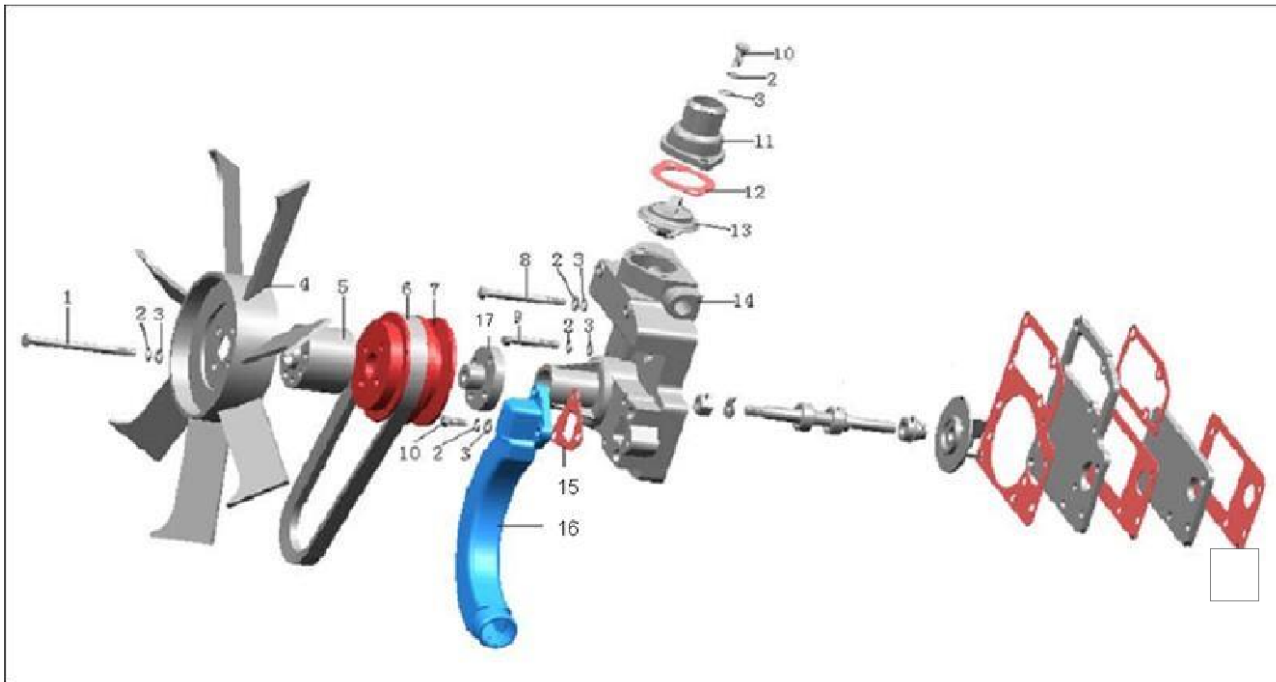
QC498T50-C04-143 ENGINE ASSY-16



QC498T50-C04-143 ENGINE ASSY-16

| No. | Part No. | Description | Ver- sion | QTY. | Remark |
|-----|---------------|-----------------------|--------------|------|--------|
| 1 | GBT5783-M8X20 | BOLT | | 4 | |
| 2 | GBT93-8 | WASHER | | 4 | |
| 3 | GBT97.1-8 | WASHER | | 4 | |
| 4 | 2409501700000 | OIL PIPELINE ASSEMBLY | | 1 | |
| 5 | 2409501700300 | OIL PIPE GASKET | | 2 | |

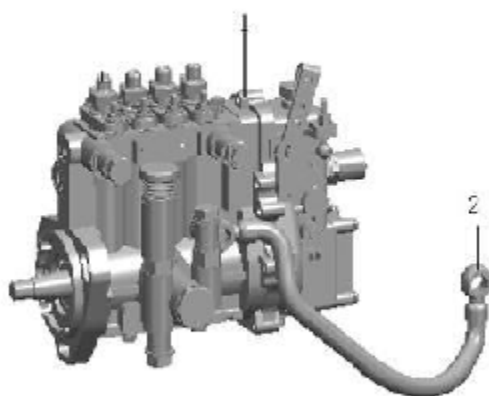
QC498T50-C04-143 ENGINE ASSY-17



QC498T50-C04-143 ENGINE ASSY-17

| No. | Part No. | Description | Ver- sion | QTY. | Remark |
|-----|------------------|------------------------------------|--------------|------|--------|
| 1 | GBT5782-M8X115 | HEXAGON BOLT | | 4 | |
| 2 | GBT93-8 | WASHER | | 13 | |
| 3 | GBT97.1-8 | WASHER | | 13 | |
| 4 | 1408500820003 | COOLING FAN Φ 420 | | 1 | |
| 5 | 2409001801319 | FAN GASKET | | 1 | |
| 6 | GBT1154-AV17X700 | BELT | | 2 | |
| 6 | GBT1154-AV17X975 | CRANKSHAFT BELT | | 1 | |
| 7 | 2409001801508 | V-BELT PULLEY | | 1 | |
| 8 | GBT5782-M8X85 | HEXAGON BOLT | | 2 | |
| 9 | GBT5782-M8X55 | HEXAGON BOLT | | 5 | |
| 10 | GBT5783-M8X25 | BOLT | | 5 | |
| 11 | 2409531900100 | THERMOSTAT COVER | | 1 | |
| 12 | 2409001900200 | THERMOSTAT COVER GASKET | | 1 | |
| 13 | 1408501700300 | THE RMOSTAT | | 1 | |
| 14 | 2409531810005 | WATER PUMP ASSEMBLY | | 1 | |
| 15 | 2409531800905 | WATER INLET BENDING PIPE GASKET | | 1 | |
| 16 | 2409531800805 | WATER INLET BENDING PIPE | | 1 | |
| 17 | 2409001801400 | V-BELT PULLEY SEAT | | 1 | |

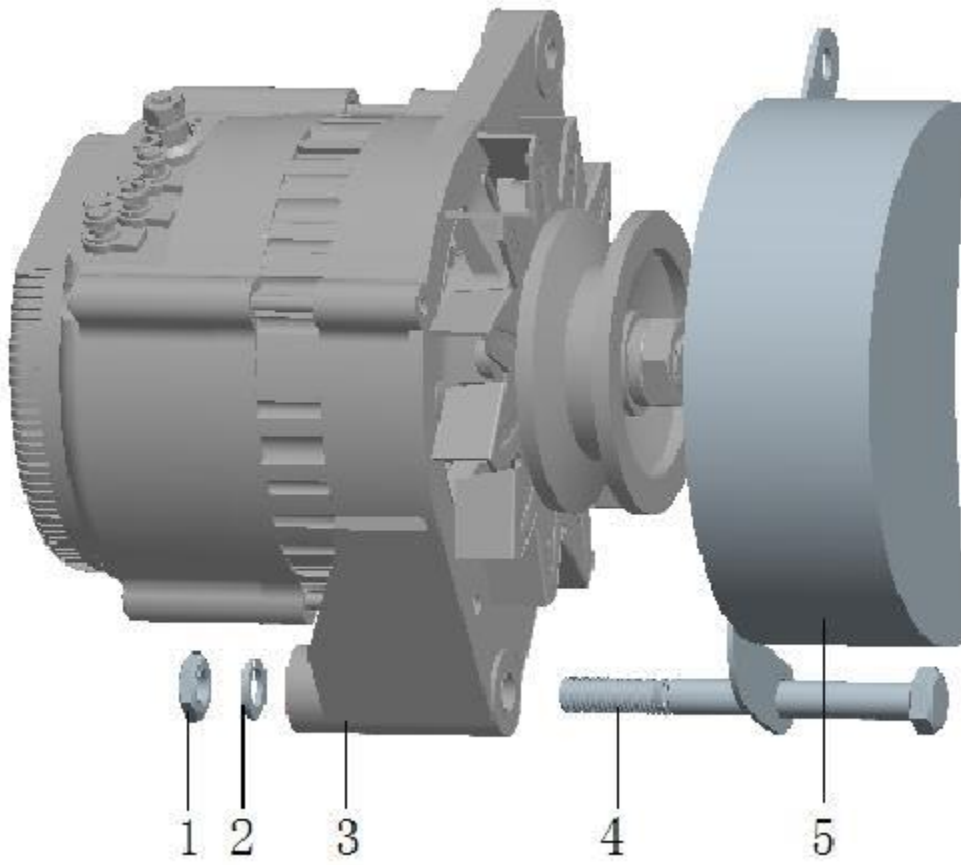
QC498T50-C04-143 ENGINE ASSY-18



QC498T50-C04-143 ENGINE ASSY-18

| No. | Part No. | Description | Version | QTY. | Remark |
|-----|---------------|--------------------------------|---------|------|--------|
| 1 | 2409002110013 | OIL INJECTION PUMP BH4Q90R9 | | 1 | |
| 2 | 2408002620000 | PIPE | | 1 | |

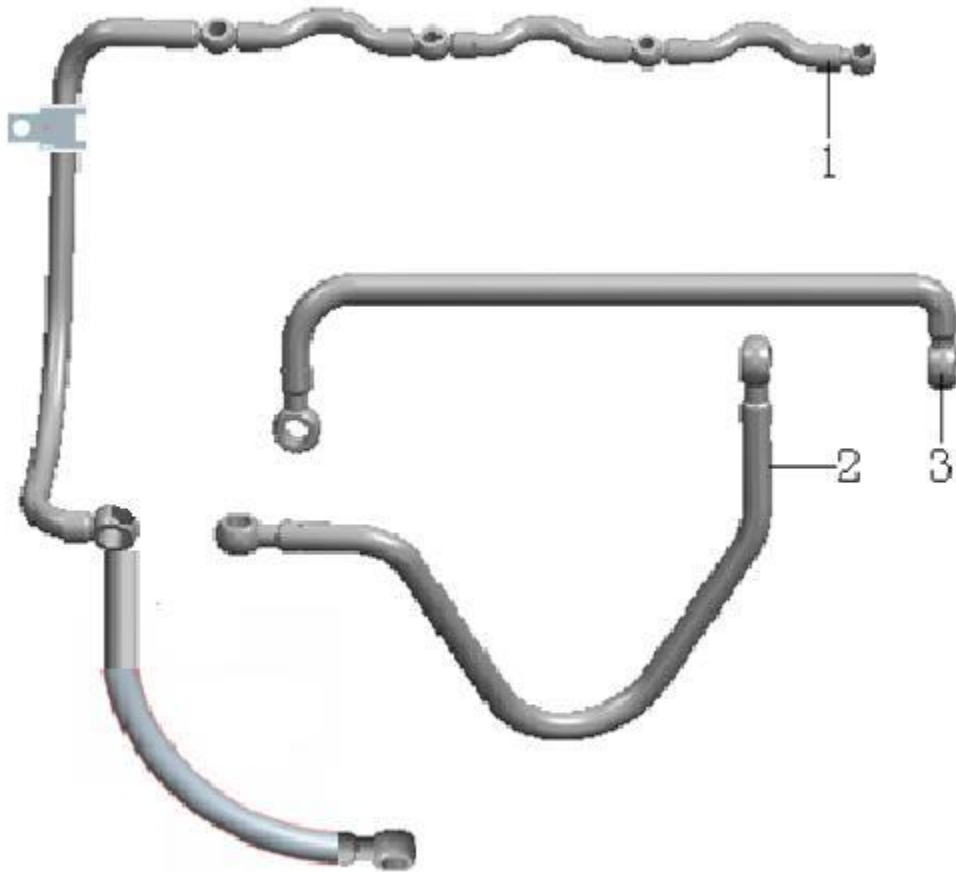
QC498T50-C04-143 ENGINE ASSY-19



QC498T50-C04-143 ENGINE ASSY-19

| No. | Part No. | Description | Ver- sion | QTY. | Remark |
|-----|-----------------|------------------------------|--------------|------|--------|
| 1 | GBT6170-M10 | NUT | | 1 | |
| 2 | GBT97.1-10 | WASHER | | 1 | |
| 3 | 2410202520000 | ALTERNATOR ASSY | | 1 | |
| 4 | GBT5782-M10X105 | BOLT | | 1 | |
| 5 | 2409002320003 | GENERATOR BONNET ASSEMBLY | | 1 | |

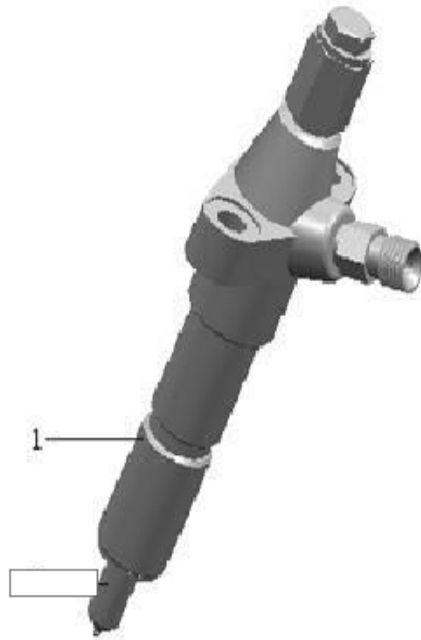
QC498T50-C04-143 ENGINE ASSY-20



QC498T50-C04-143 ENGINE ASSY-20

| No. | Part No. | Description | Version | QTY. | Remark |
|-----|---------------|--|---------|------|--------|
| 1 | 2409002411001 | OIL INJECTOR RETURN PIPE PARTS | | 1 | |
| 2 | 2409002430000 | OIL OUTLET PIPE ASSEM- BLY OF OIL CONVEYING PUMP | | 1 | |
| 3 | 2409002440000 | FILTER OIL OUTPUT PIPE PARTS | | 1 | |

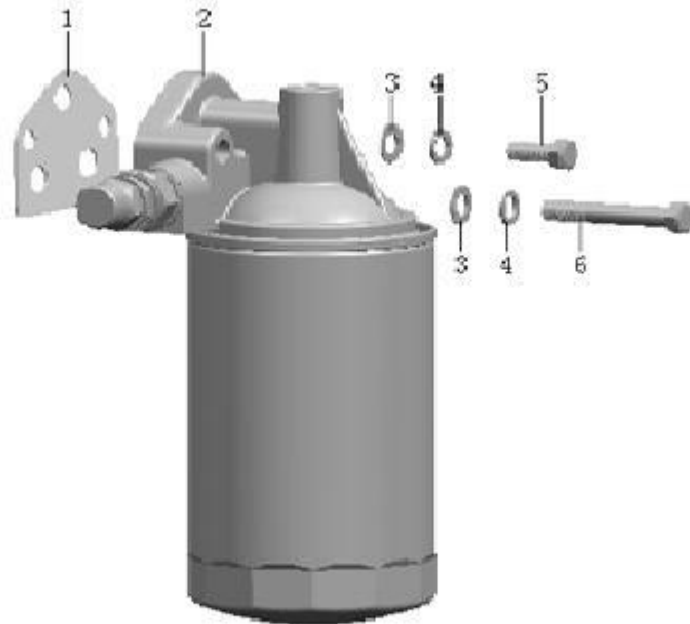
QC498T50-C04-143 ENGINE ASSY-21



QC498T50-C04-143 ENGINE ASSY-21

| No. | Part No. | Description | Ver- sion | QTY. | Remark |
|-----|---------------|-----------------------|--------------|------|--------|
| 1 | 2409502500049 | OIL INJECTOR ASSEMBLY | | 4 | |

QC498T50-C04-143 ENGINE ASSY-22



QC498T50-C04-143 ENGINE ASSY-22

| No. | Part No. | Description | Ver- sion | QTY. | Remark |
|-----|---------------|--------------------|--------------|------|--------|
| 1 | 1408500301700 | OIL FILTER GASKET | | 1 | |
| 2 | 1408502610002 | OIL FILTER | | 1 | |
| 2.1 | 1408502610101 | OIL FILTER ELEMENT | | 1 | |
| 3 | GBT93-8 | WASHER | | 2 | |
| 4 | GBT97.1-8 | WASHER | | 2 | |
| 5 | GBT5783-M8X25 | BOLT | | 1 | |
| 6 | GBT5782-M8X50 | HEXAGON BOLT | | 1 | |

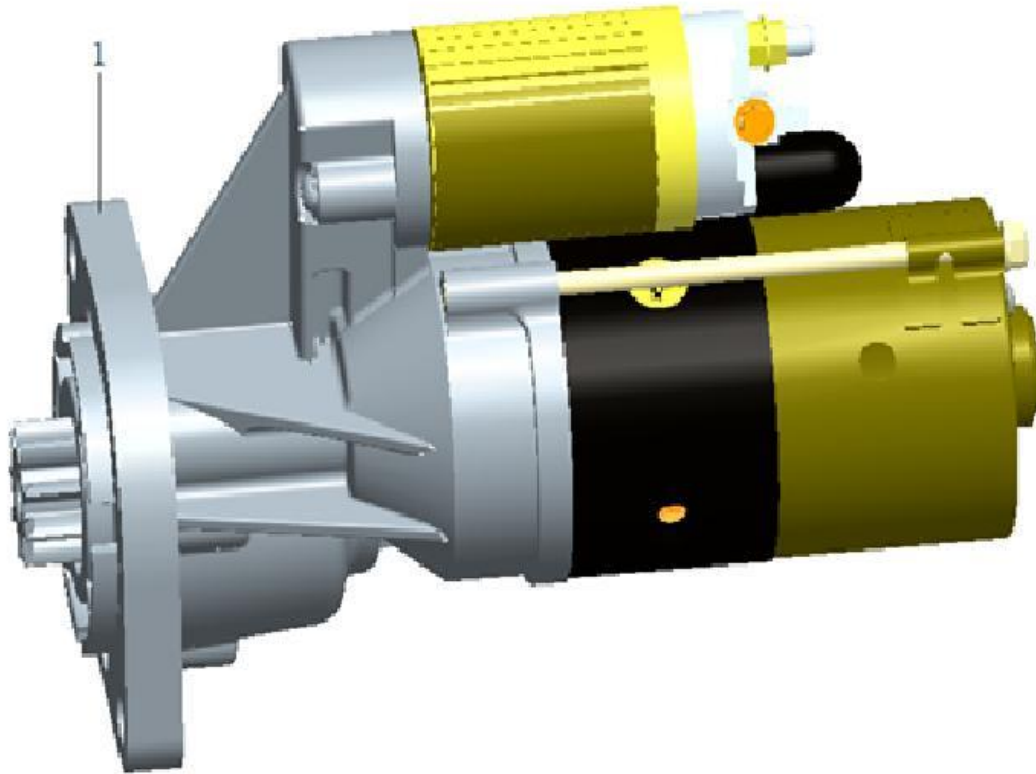
QC498T50-C04-143 ENGINE ASSY-23



QC498T50-C04-143 ENGINE ASSY-23

| No. | Part No. | Description | Ver- sion | QTY. | Remark |
|-----|---------------|---------------------|--------------|------|--------|
| 1 | 1408502810001 | FUEL FILTER | | 1 | |
| 1.1 | 1408502810101 | FUEL FILTER ELEMENT | | 1 | |
| 2 | GBT93-8 | WASHER | | 2 | |
| 3 | GBT97.1-8 | WASHER | | 2 | |
| 4 | GBT5783-M8X30 | HEXAGON BOLT | | 2 | |

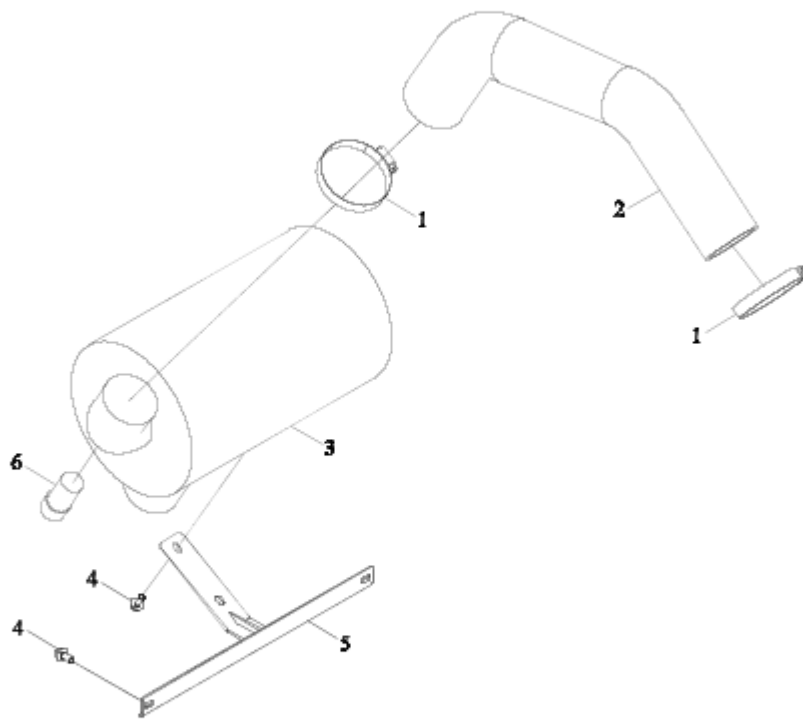
QC498T50-C04-143 ENGINE ASSY-24



QC498T50-C04-143 ENGINE ASSY-24

| No. | Part No. | Description | Version | QTY. | Remark |
|-----|----------------|--|---------|------|--------|
| 1 | 2409003010016 | STARTING MOTOR | | 1 | |
| 1.1 | 2409003010109 | UNIDIRECTIONAL OPTICAL DIODE OF STARTING MOTOR | | 1 | |
| 2 | GBT6170-M12 | NUT | | 2 | |
| 3 | GBT93-12 | WASHER | | 2 | |
| 4 | GBT898-AM12X35 | DOUBLE END STUDS | | 2 | |

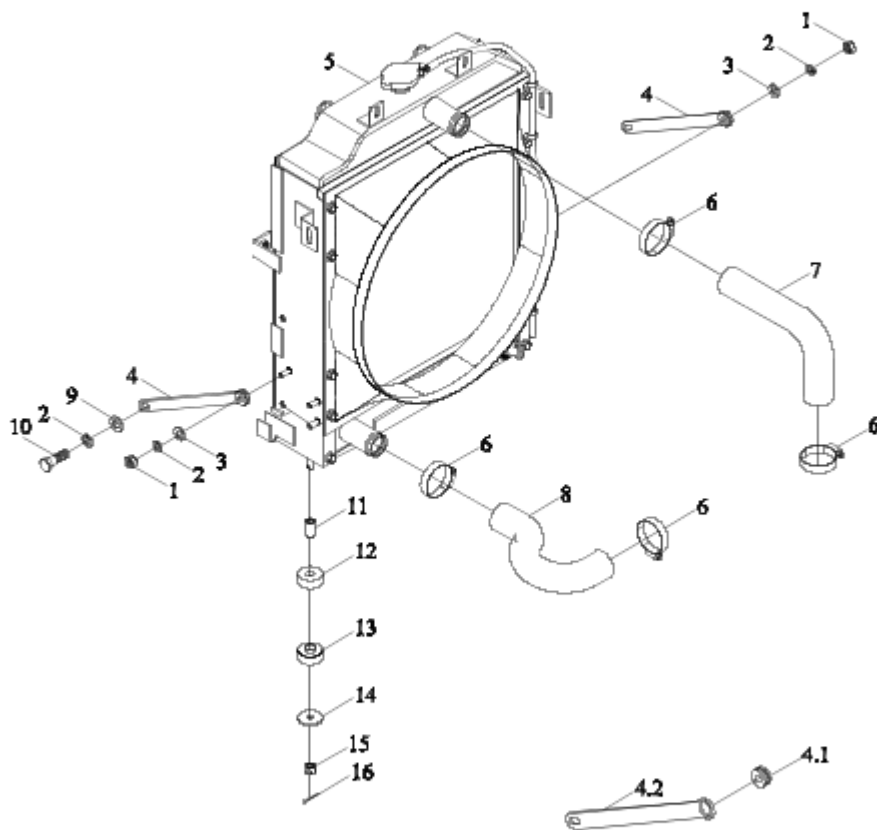
TS04110050000K AIR FILTER SYSTEM ASSEMBLY



TS04110050000K AIR FILTER SYSTEM ASSEMBLY

| No. | Part No. | Description | Version | QTY. | Remark |
|-----|-----------------------|-------------------------------------|---------|------|--------|
| | TS04110050000K | AIR FILTER SYSTEM ASSEMBLY | | 1 | |
| 1 | Q67676 | B-TYPE WORM TRANSMISSION HOSE CLAMP | | 2 | |
| 2 | TS04110050001K | AIR INLET HOSE | | 1 | |
| 3 | TB400.11.1 | AIR FILTER ASSEMBLY | | 1 | |
| 4 | GBT5789-M8X16-8.8-A2L | HEXAGON FLANGE NUT | | 4 | |
| 5 | TB500.11B.2 | AIR FILTER BRACKET | | 1 | |
| 6 | TD900.11A-01 | AIR FILTER MAINTENANCE INDICATOR | | 1 | |

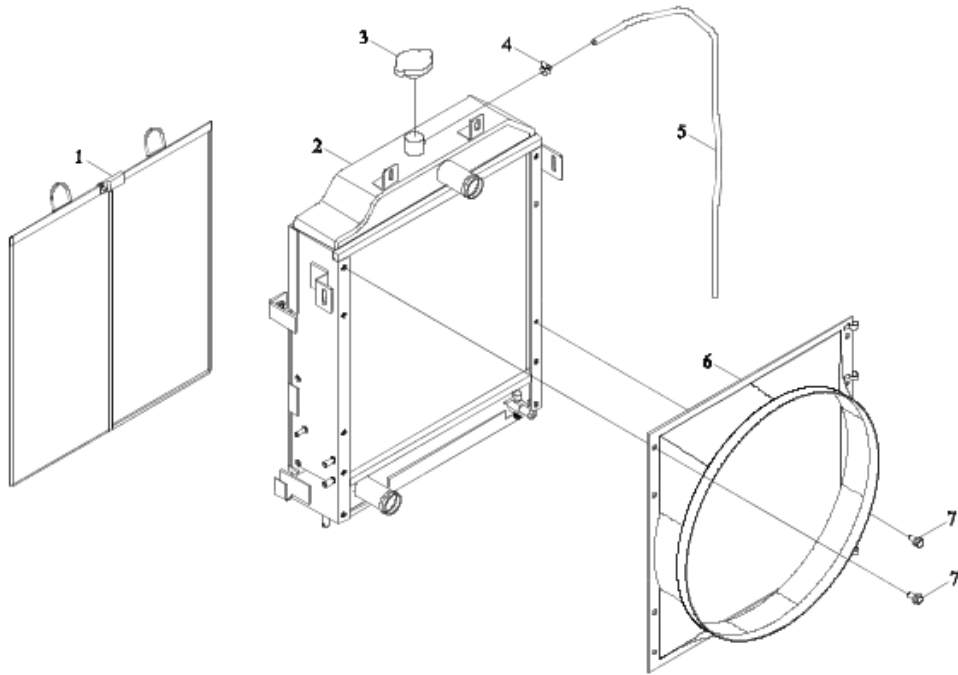
TS0413107000K COOLING SYSTEM ASSEMBLY-1



TS0413107000K COOLING SYSTEM ASSEMBLY-1

| No. | Part No. | Description | Version | QTY. | Remark |
|-----|-----------------------|-------------------------------------|---------|------|--------|
| | TS0413107000K | COOLING SYSTEM ASSEMBLY | | 1 | |
| 1 | GBT6170-M8-8-A2L | HEXAGON NUT, TYPE-1 | | 2 | |
| 2 | GBT93-8-A0P | STANDARD SPRING WASHER | | 4 | |
| 3 | GBT96.1-8-A0P | BIG WASHER | | 2 | |
| 4 | TS04132010005 | PULL ROD UNIT | | 2 | |
| 4.1 | TS04132010003 | RUBBER WASHER | | 1 | |
| 4.2 | TS04132010006 | PULL ROD | | 1 | |
| 5 | TS04131070001K | RADIATOR ASSEMBLY | | 1 | |
| 6 | Q67657 | B-TYPE WORM TRANSMISSION HOSE CLAMP | | 4 | |
| 7 | TS04131070005K | WATER TANK INLET HOSE | | 1 | |
| 8 | FT450.13.102 | WATER TANK OUTLET HOSE | | 1 | |
| 9 | GBT97.1-8-A0P | FLAT WASHER | | 2 | |
| 10 | GBT5783-M8X20-8.8-A2L | HEXAGON BOLT | | 2 | |
| 11 | TA700.131-02 | SLEEVE | | 2 | |
| 12 | TA700.131-01 | RUBBER PAD | | 2 | |
| 13 | TD800.131-11 | RUBBER WASHER | | 2 | |
| 14 | FT650.13.116 | GASKET | | 2 | |
| 15 | GBT6178-M10-8-A3L | SLOTTED NUT | | 2 | |
| 16 | GBT91-2.5X28-A0P | SPLIT PIN | | 2 | |

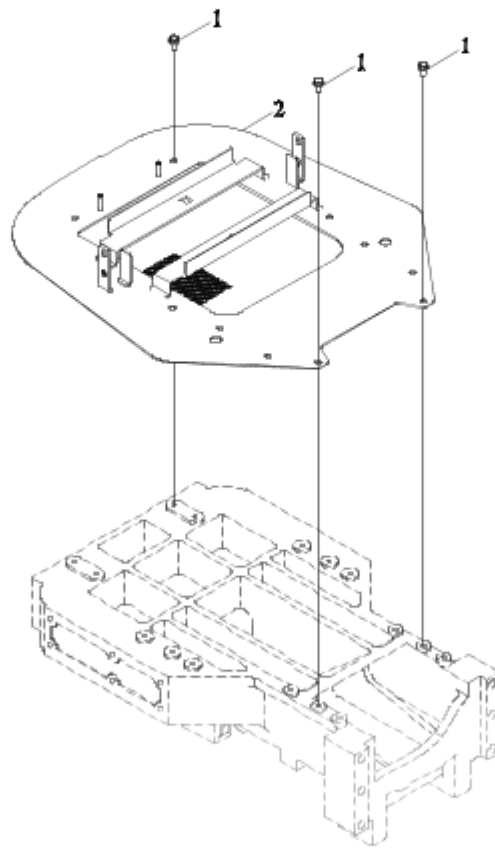
TS0413107000K COOLING SYSTEM ASSEMBLY-2



TS0413107000K COOLING SYSTEM ASSEMBLY-2

| No. | Part No. | Description | Version | QTY. | Remark |
|-----|-----------------------|-------------------------------------|---------|------|--------|
| | TS0413107000K | COOLING SYSTEM ASSEMBLY | | 1 | |
| | TS04131070001K | RADIATOR INSTALLATION ASSEMBLY | | 1 | |
| 1 | TS04131070003K | GUARD NET | | 1 | |
| 2 | TS04131070004K | RADIATOR ASSEMBLY | | 1 | |
| 3 | TB400.13.1 | RADIATOR COVER | | 1 | |
| 4 | Q676B12 | C-TYPE WORM TRANSMISSION HOSE CLAMP | | 1 | |
| 5 | TH400.13.1-03 | WATER HOSE | | 1 | |
| 6 | TS04131070002K | WINDGUIDE COVER | | 1 | |
| 7 | GBT5789-M8X16-8.8-A2L | HEXAGON FLANGE NUT | | 10 | |

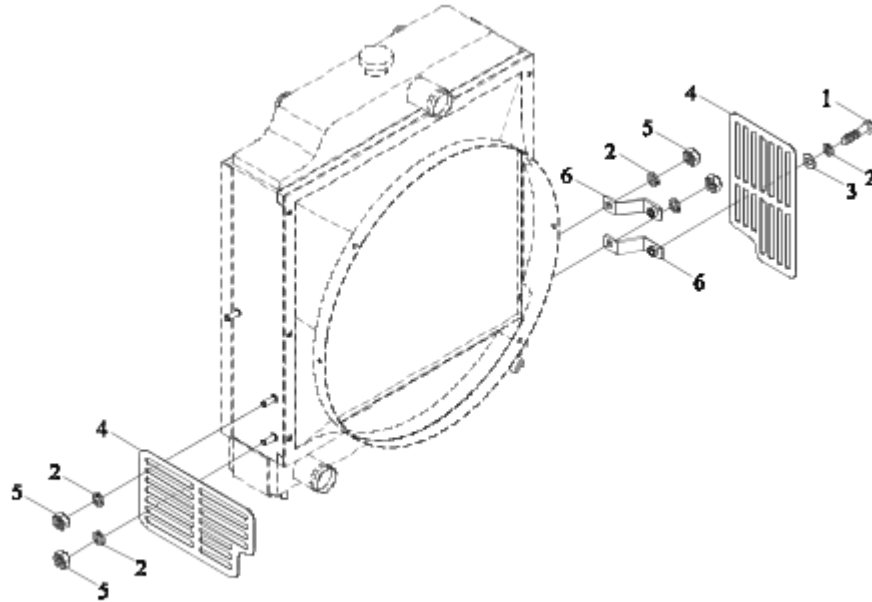
TS04132030000K RADIATOR BACKING BOARD INSTALLATION ASSEMBLY



TS04132030000K RADIATOR BACKING BOARD INSTALLATION ASSEMBLY

| No. | Part No. | Description | Version | QTY. | Remark |
|-----|-----------------------|--|---------|------|--------|
| | TS04132030000K | RADIATOR BACKING BOARD INSTALLATION ASSEMBLY | | 1 | |
| 1 | GBT5789-M8X16-8.8-A2L | HEXAGON FLANGE NUT | | 3 | |
| 2 | TS04132030001K | RADIATOR BACKING BOARD WELDMENT | | 1 | |

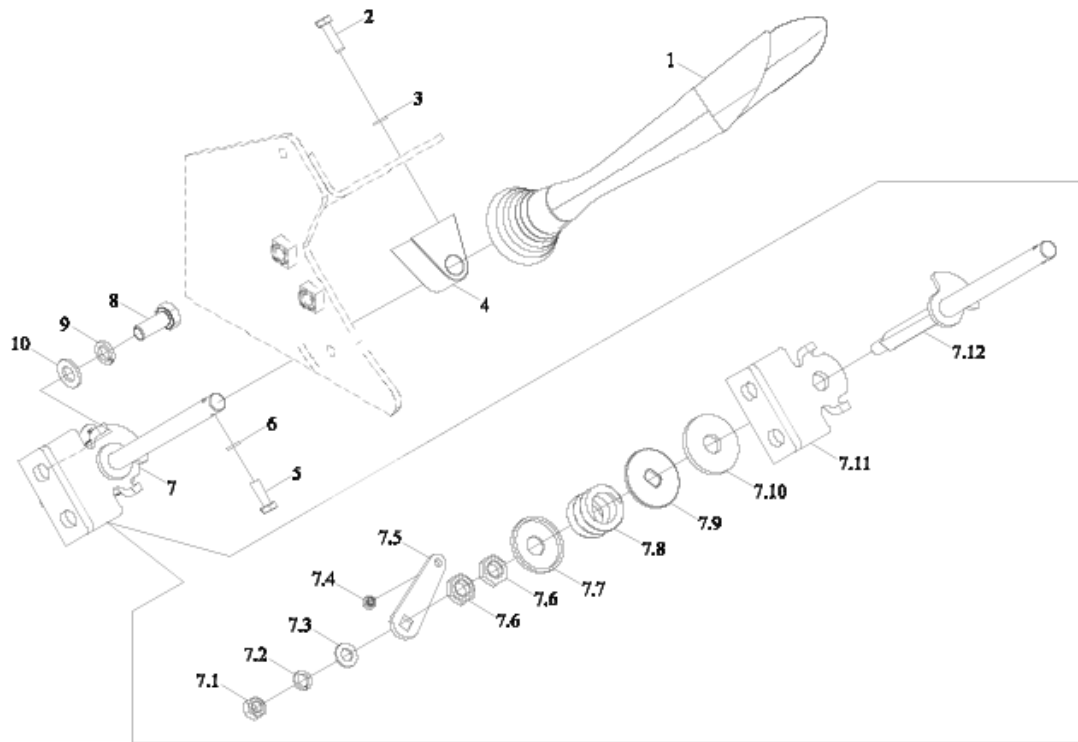
TB500. 133C WATER GUARD NET INSTALLATION ASSEMBLY



TB500.133C WATER GUARD NET INSTALLATION ASSEMBLY

| No. | Part No. | Description | Version | QTY. | Remark |
|-----|-----------------------|---------------------------------------|---------|------|--------|
| | TB500.133C | WATER GUARD NET INSTALLATION ASSEMBLY | | 1 | |
| 1 | GBT5783-M8X20-8.8-A2L | HEXAGON BOLT | | 2 | |
| 2 | GBT93-8-A0P | STANDARD SPRING WASHER | | 6 | |
| 3 | GBT97.1-8-A0P | FLAT WASHER | | 2 | |
| 4 | TH404.133-01 | RIGHT GUARD PLATE | | 2 | |
| 5 | GBT6170-M8-8-A2L | HEXAGON NUT, TYPE-1 | | 4 | |
| 6 | TB500.133B.2 | WATER GUARD NET WELDMENT | | 2 | |

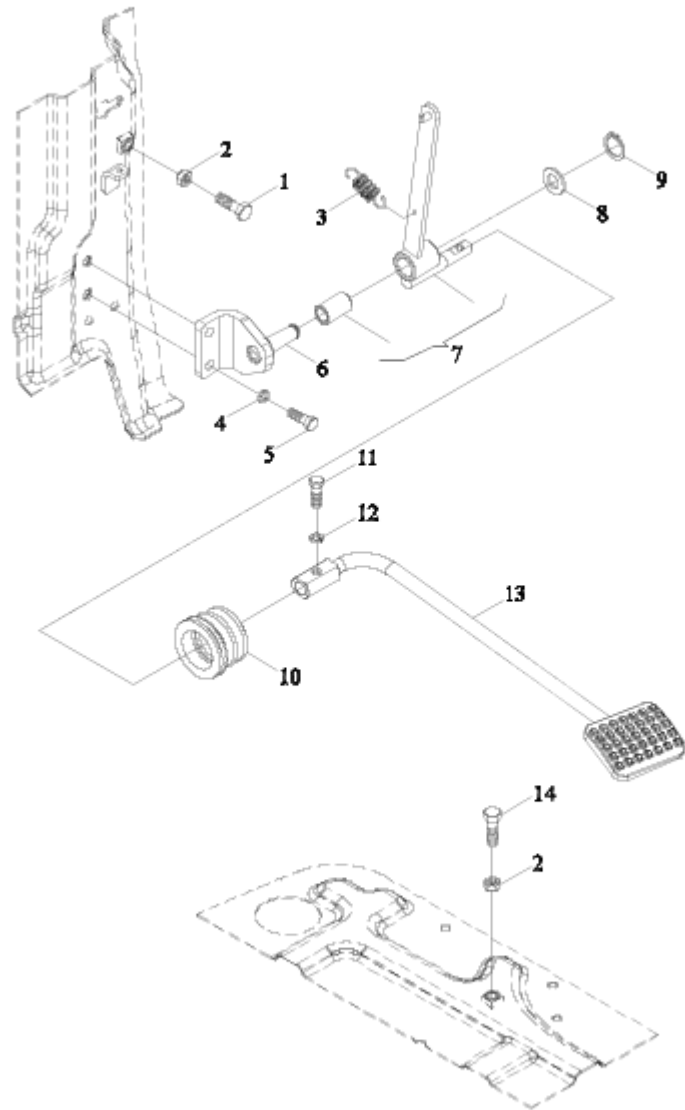
TS04201010000 HAND THROTTLE CONTROL ASSEMBLY



TS04201010000 HAND THROTTLE CONTROL ASSEMBLY

| No. | Part No. | Description | Version | QTY. | Remark |
|-----|------------------------|---------------------------------|---------|------|--------|
| | TS04201010000 | HAND THROTTLE CONTROL ASSEMBLY | | 1 | |
| 1 | TS06201010001 | HANDLE ASSEMBLY | | 1 | |
| 2 | GBT5783-M8X16-8.8-A2L | HEXAGON BOLT | | 2 | |
| 3 | GBT93-8-A0P | STANDARD SPRING WASHER | | 2 | |
| 4 | TS06201010002 | GUIDE SEAT | | 1 | |
| 5 | GBT5783-M6X20-8.8-A2L | HEXAGON BOLT | | 1 | |
| 6 | GBT93-6-A0P | STANDARD SPRING WASHER | | 1 | |
| 7 | TS04201010001 | HAND THROTTLE CONTROL MECHANISM | | 1 | |
| 8 | GBT5783-M10X25-8.8-A3L | HEXAGON BOLT | | 2 | |
| 9 | GBT93-10-A0P | STANDARD SPRING WASHER | | 2 | |
| 10 | GBT97.1-10-A0P | FLAT WASHER | | 2 | |

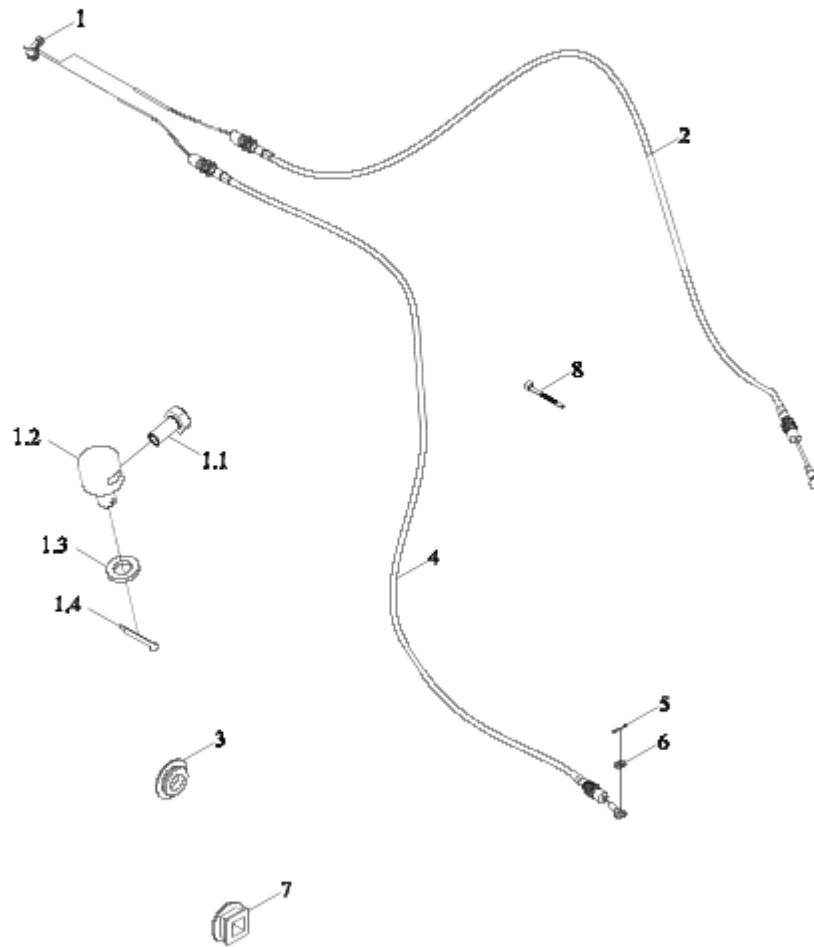
TS04202010000 FOOT THROTTLE CONTROL ASSEMBLY



TS04202010000 FOOT THROTTLE CONTROL ASSEMBLY

| No. | Part No. | Description | Version | QTY. | Remark |
|-----|-----------------------|--------------------------------|---------|------|--------|
| | TS04202010000 | FOOT THROTTLE CONTROL ASSEMBLY | | 1 | |
| 1 | GBT5782-M8X45-8.8-A2L | HEXAGON BOLT | | 1 | |
| 2 | GBT6170-M8-8-A2L | HEXAGON NUT, TYPE-1 | | 2 | |
| 3 | TB604.202A-01 | RETURN SPRING | | 1 | |
| 4 | GBT93-8-A0P | STANDARD SPRING WASHER | | 2 | |
| 5 | GBT5783-M8X20-8.8-A2L | HEXAGON BOLT | | 2 | |
| 6 | TS04202010003 | BRACKET WELDMENT | | 1 | |
| 7 | TS04202010002 | ROTARY SHAFT BUSH | | 1 | |
| 8 | GBT97.1-12-A0P | FLAT WASHER | | 1 | |
| 9 | GBT894.1-12 | CIRCLIP FOR SHAFT | | 1 | |
| 10 | TB400.474E-01 | DUSTPROOF SLEEVE | | 1 | |
| 11 | GBT5783-M6X20-8.8-A2L | HEXAGON BOLT | | 1 | |
| 12 | GBT93-6-A0P | STANDARD SPRING WASHER | | 1 | |
| 13 | TS04202010001 | FOOT PEDAL ROCKER WELDMENT | | 1 | |
| 14 | GBT5783-M8X35-8.8-A2L | HEXAGON BOLT | | 1 | |

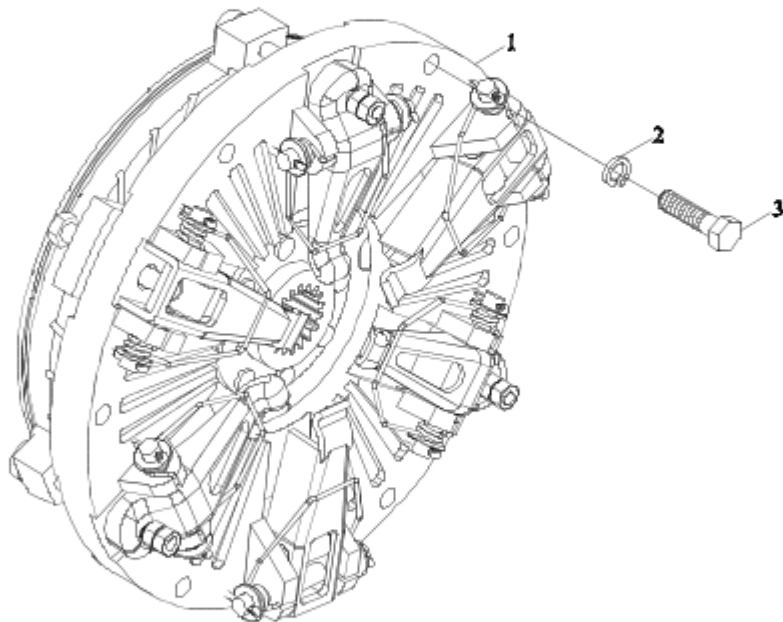
TS04203010000K PULL WIRE ASSEMBLY



TS04203010000K PULL WIRE ASSEMBLY

| No. | Part No. | Description | Version | QTY. | Remark |
|-----|-----------------------|---|---------|------|--------|
| | TS04203010000K | PULL WIRE ASSEMBLY | | 1 | |
| 1 | TF1354.203.1 | FIXING SEAT UNIT | | 1 | |
| 1.1 | GBT5781-M5X10-4.8-A2L | HEXAGON BOLT | | 1 | |
| 1.2 | TF1354.203.1-01 | FIXING SEAT | | 1 | |
| 1.3 | GBT848-6-A0P | SMALL WASHER | | 1 | |
| 1.4 | GBT91-1.6X12-A0P | SPLIT PIN | | 1 | |
| 2 | TS04203010001 | HAND THROTTLE WIRE ASSEMBLY | | 1 | |
| 3 | TS04203010001K | PROCESS PLUG COVER 16 | | 3 | |
| 4 | TS04203010003K | FOOT THROTTLE WIRE ASSEMBLY | | 1 | |
| 5 | GBT91-2X12-A0P | SPLIT PIN | | 1 | |
| 6 | GBT97.1-6-A0P | FLAT WASHER | | 1 | |
| 7 | TS04203010002K | PLUG COVER OF EXTINGUISH WIRE FIXING HOLE | | 1 | |
| 8 | Q67405100 | PLASTIC FASTENING STRIP | | 999 | |

TB550. 211B CLUTCH ASSEMBLY-1



TB550. 211B CLUTCH ASSEMBLY-1

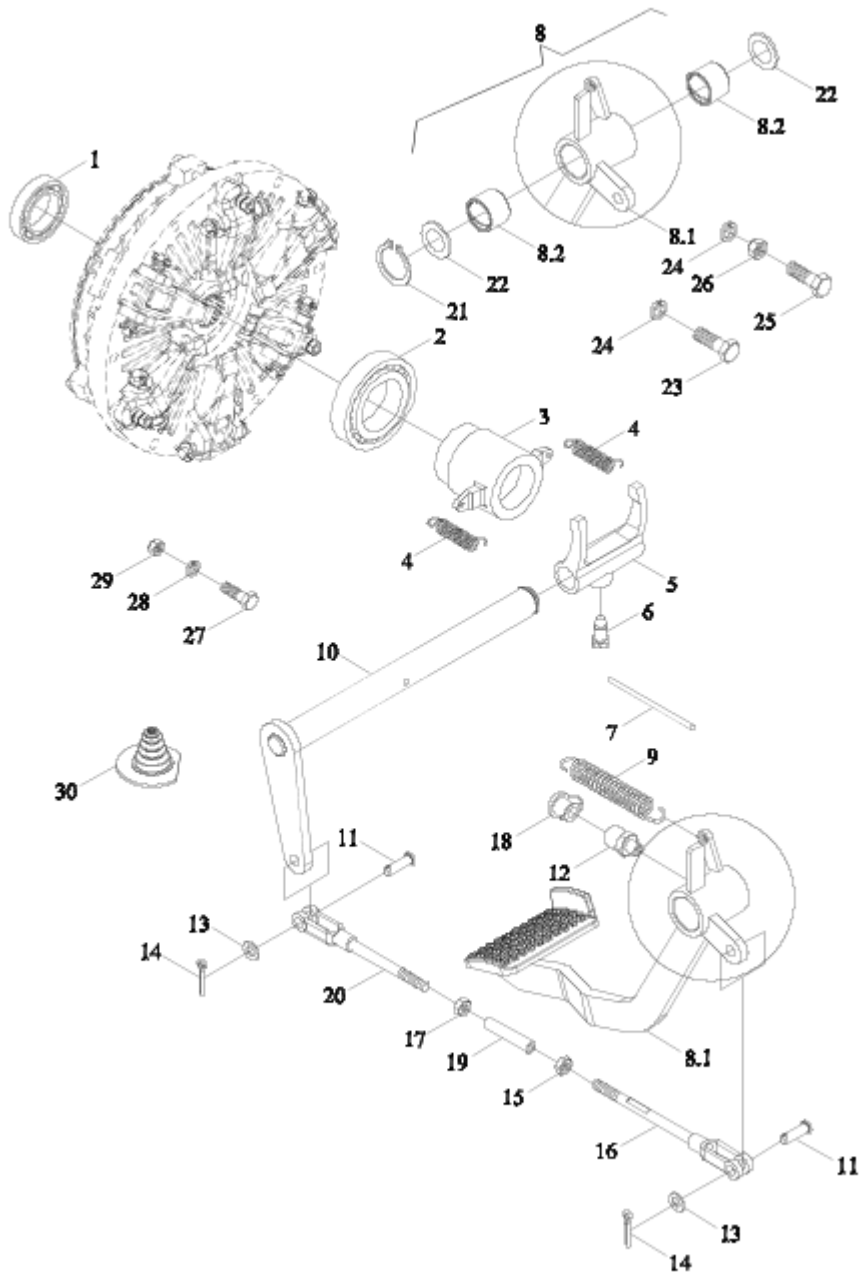
| No. | Part No. | Description | Ver- sion | QTY. | Remark |
|-----|---------------|--------------------|--------------|------|--------|
| | TB550.211B | CLUTCH ASSEMBLY | | 1 | |
| 1 | TB550.211B.1 | CLUTCH SUBASSEMBLY | | 1 | |
| 2 | GBT93-8-A0P | SPRING WASHER | | 12 | |
| 3 | TD800.212B-02 | BOLT | | 12 | |

TB550. 211B CLUTCH ASSEMBLY-2

TB550. 211B CLUTCH ASSEMBLY-2

| No. | Part No. | Description | Version | QTY. | Remark |
|-----|--------------|---|---------|------|--------|
| | TB550.211B.1 | CLUTCH SUBASSEMBLY | | 1 | |
| 1 | T800-101 | CLUTCH HOUSING | | 1 | |
| 2 | HH800-416 | MAT | | 3 | |
| 3 | HH550-200 | MAIN CLUTCH DRIVEN PLATE ASSEMBLY | | 1 | |
| 4 | HH550-409 | AUXILIARY RELEASE LEVER | | 3 | |
| 5 | HH800-404 | MAIN RELEASE LEVER | | 3 | |
| 6 | HH800-403 | TOP ROD | | 3 | |
| 7 | GB6173 | LOCKING NUT | | 3 | |
| 8 | HH550-414 | ADJUSTING SCREW | | 3 | |
| 9 | HH800-102T | CLUTCH MAIN PRESSURE PLAT | | 1 | |
| 10 | HH550-401 | FILM SPRING | | 1 | |
| 11 | HH800-402 | MOUNTINGS RING | | 1 | |
| 12 | HH800-103 | CLUTCH AUXILIARY PRES- SURE PLATE | | 1 | |
| 13 | HH550-300 | AUXILIARY CLUTCH DRIV- EN PLATE ASSEMBLY | | 1 | |
| 14 | HH800-413B | LOCKING NUT | | 3 | |
| 15 | HH800-413A | NUT | | 3 | |
| 16 | HH800-410A | PULL ROD | | 3 | |
| 17 | HH800-406A | ASSISTANT RELEASE ROD SPRING | | 3 | |
| 18 | HH800-405A | MAIN RELEASE LEVER SPRING | | 3 | |
| 19 | HH800-408A | RELEASE ROD MOUNT- INGS PIN | | 6 | |
| 20 | HH800-407A | RELEASE ROD MOUNT- INGS SHAFT | | 3 | |
| 21 | HH800-411 | TOP ROD BUSH | | 3 | |
| 22 | HH800-412 | RELEASE LEVER BUSH | | 6 | |
| 23 | HH800-431 | LOCKING SLEEVE | | 6 | |

TB604. 212 CLUTCH CONTROL ASSEMBLY



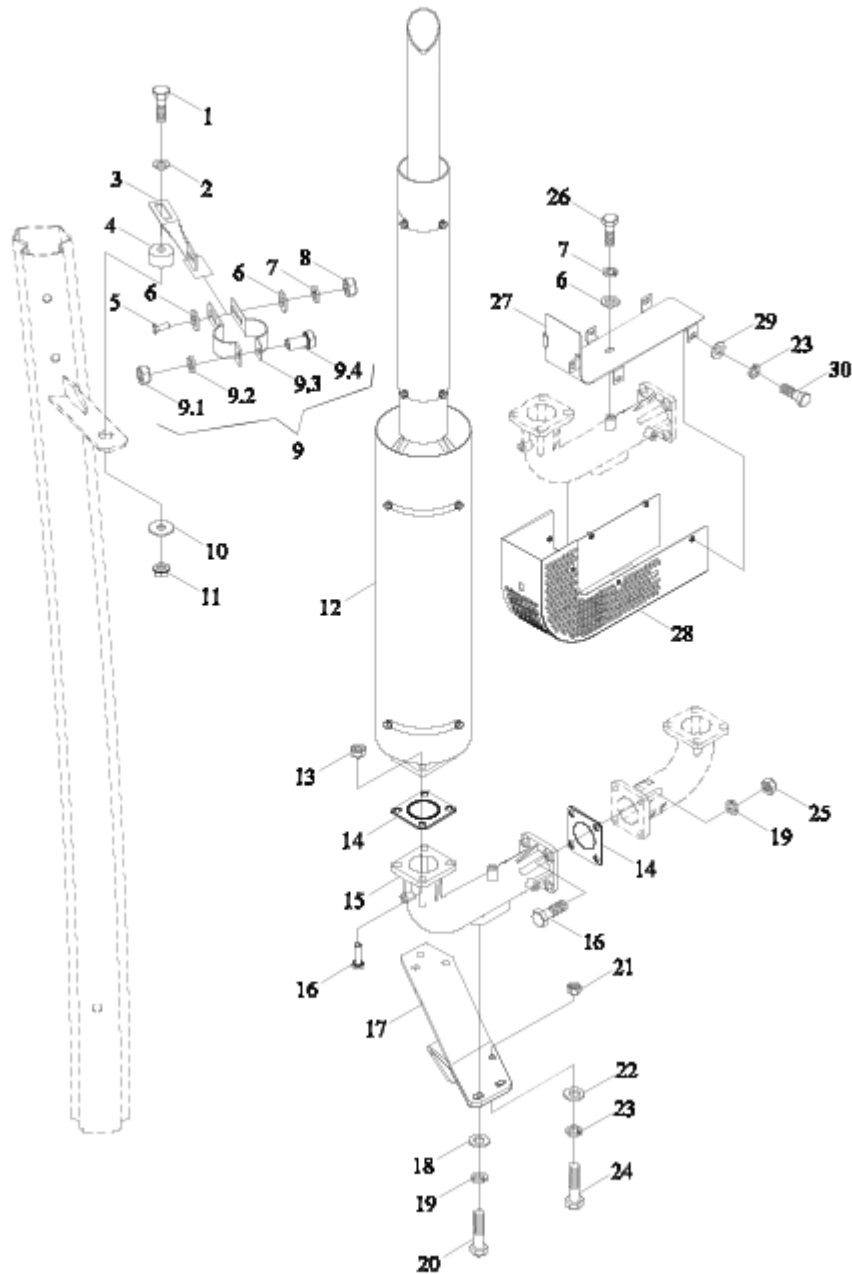
TB604. 212 CLUTCH CONTROL ASSEMBLY

| No. | Part No. | Description | Ver- sion | QTY. | Remark |
|-----|--------------------------|-----------------------------------|--------------|------|--------|
| | TB604.212 | CLUTCH CONTROL ASSEMBLY | | 1 | |
| 1 | GBT276-6204-2RS | DEEP GROOVE BALL BEARING | | 1 | |
| 2 | TA800.212-02 | RELEASE BEARING 996713 | | 1 | |
| 3 | FT400.21B.101 | RELEASE BEARING SEAT | | 1 | |
| 4 | FT300.21.102 | THRUST BEARING SEAT RETURN SPRING | | 2 | |
| 5 | FT300.21.103 | RELEASE FORK | | 1 | |
| 6 | FT300.21.113 | THRUST SCREW | | 1 | |
| 7 | TA800.212B-02 | LOW CARTON STEEL WIRE SZ-1.4 | | 1 | |
| 8 | TB604.212.1 | CLUTCH PEDAL UNIT | | 1 | |
| 8.1 | TB604.212.1.1 | CLUTCH PEDAL WELDMENT | | 1 | |
| 8.2 | FT300.37.159 | RELEASE FORK SHAFT BUSH | | 2 | |
| 9 | TD800.43-01 | PEDAL RETURN SPRING | | 1 | |
| 10 | TB604.212.3 | CLUTCH ROCKER SHAFT WELDMENT | | 1 | |
| 11 | GBT882-B10X32 | PIN SHAFT | | 2 | |
| 12 | JBT7940.1-M8X1 | STRAIGHT FORCED FILLING OIL CUP | | 1 | |
| 13 | GBT97.1-10-A0P | FLAT WASHER | | 2 | |
| 14 | GBT91-3.2X20-A0P | SPLIT PIN | | 2 | |
| 15 | GBT6171-M12X1.5-8-A3L | HEXAGON NUT, TYPE-1 | | 1 | |
| 16 | TB604.212.5 | UPPER PULL ROD WELDMENT | | 1 | |
| 17 | GBT6171-M12X1.5-LH-8-A3L | HEXAGON NUT, TYPE-1 | | 1 | |
| 18 | TD800.311C.1-01 | DUSTPROOF CAP OF OIL CUP | | 1 | |
| 19 | TE354.433-03 | CONNECTING ROD | | 1 | |
| 20 | TB604.212.6 | LOWER PULL ROD WELDMENT | | 1 | |
| 21 | GBT894.1-25 | CIRCLIP FOR SHAFT | | 1 | |
| 22 | TE250.433C-02 | WASHER | | 2 | |
| 23 | GBT5783-M10X40-8.8-A3L | HEXAGON BOLT | | 6 | |
| 24 | GBT93-10-A0P | STANDARD SPRING WASHER | | 7 | |

TB604. 212 CLUTCH CONTROL ASSEMBLY (cont'd.)

| No. | Part No. | Description | Version | QTY. | Remark |
|-----|-------------------------|---------------------------|---------|------|--------|
| 25 | GBT5783-M10X70-8.8-A2L | HEXAGON BOLT | | 1 | |
| 26 | GBT6170-M10-8-A3L | HEXAGON NUT, TYPE-1 | | 1 | |
| 27 | GBT5786-M8X1X30-8.8-A2L | HEXAGON BOLT | | 1 | |
| 28 | GBT93-8-A0P | STANDARD SPRING WASHER | | 1 | |
| 29 | GBT6173-M8X1-05-A2L | HEXAGON THIN NUT | | 1 | |
| 30 | TB604.212-02 | DUSTPROOF SLEEVE | | 1 | |

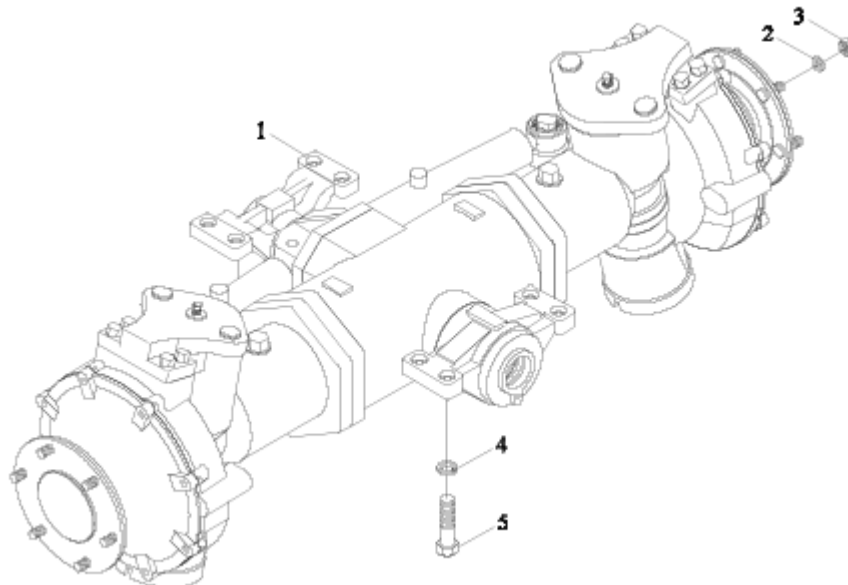
TS04220010000 EXHAUST SYSTEM ASSEMBLY



TS04220010000 EXHAUST SYSTEM ASSEMBLY

| No. | Part No. | Description | Version | QTY. | Remark |
|-----|------------------------|-----------------------------------|---------|------|--------|
| | TS04220010000 | EXHAUST SYSTEM ASSEMBLY | | 1 | |
| 1 | GBT5782-M12X50-8.8-A3L | HEXAGON BOLT | | 1 | |
| 2 | GBT97.1-12-A0P | FLAT WASHER | | 1 | |
| 3 | TD900.22B-04 | PULL ROD | | 1 | |
| 4 | TD900.22B-03 | UPPER RUBBER GASKET | | 1 | |
| 5 | GBT5783-M8X20-8.8-A2L | HEXAGON BOLT | | 2 | |
| 6 | GBT97.1-8-A0P | FLAT WASHER | | 5 | |
| 7 | GBT93-8-A0P | STANDARD SPRING WASHER | | 5 | |
| 8 | GBT6170-M8-8-A2L | HEXAGON NUT, TYPE-1 | | 2 | |
| 9 | TS04220010004 | CLIP INSTALLATION ASSEMBLY | | 1 | |
| 10 | GBT96.1-12-A0P | BIG WASHER | | 1 | |
| 11 | SPL6177.1-M12-F3 | HEXAGON FLANGE NUT | | 1 | |
| 12 | TS04220010001 | MUFFLER ASSEMBLY | | 1 | |
| 13 | SPL6175PT-M10X1.5-8F3 | HEXAGON SELF-LOCKING NUT, STYLE 2 | | 4 | |
| 14 | FT300.22.030 | SEAL GASKET UNIT | | 2 | |
| 15 | TS04220010002 | EXHAUST BENDING PIPE 1 | | 1 | |
| 16 | GBT5783-M10X35-8.8-A3L | HEXAGON BOLT | | 8 | |
| 17 | TS04220010005 | BRACKET | | 1 | |
| 18 | GBT97.1-10-A0P | FLAT WASHER | | 2 | |
| 19 | GBT93-10-A0P | STANDARD SPRING WASHER | | 9 | |
| 20 | GBT5783-M10X25-8.8-A3L | HEXAGON BOLT | | 5 | |
| 21 | GBT13681-M6-A2L | NUT | | 1 | |
| 22 | GBT96.1-6-A0P | BIG WASHER | | 1 | |
| 23 | GBT93-6-A0P | STANDARD SPRING WASHER | | 7 | |
| 24 | GBT5783-M6X20-8.8-A2L | HEXAGON BOLT | | 1 | |
| 25 | GBT6170-M10-8-A3L | HEXAGON NUT, TYPE-1 | | 4 | |
| 26 | GBT5783-M8X16-8.8-A2L | HEXAGON BOLT | | 3 | |
| 27 | TS04220010011 | UPPER SHIELD NET | | 1 | |
| 28 | TS04220010010 | DOWN GUARD NET WELDMENT | | 1 | |
| 29 | GBT97.1-6-A0P | FLAT WASHER | | 6 | |
| 30 | GBT5783-M6X12-8.8-A2L | HEXAGON BOLT | | 6 | |

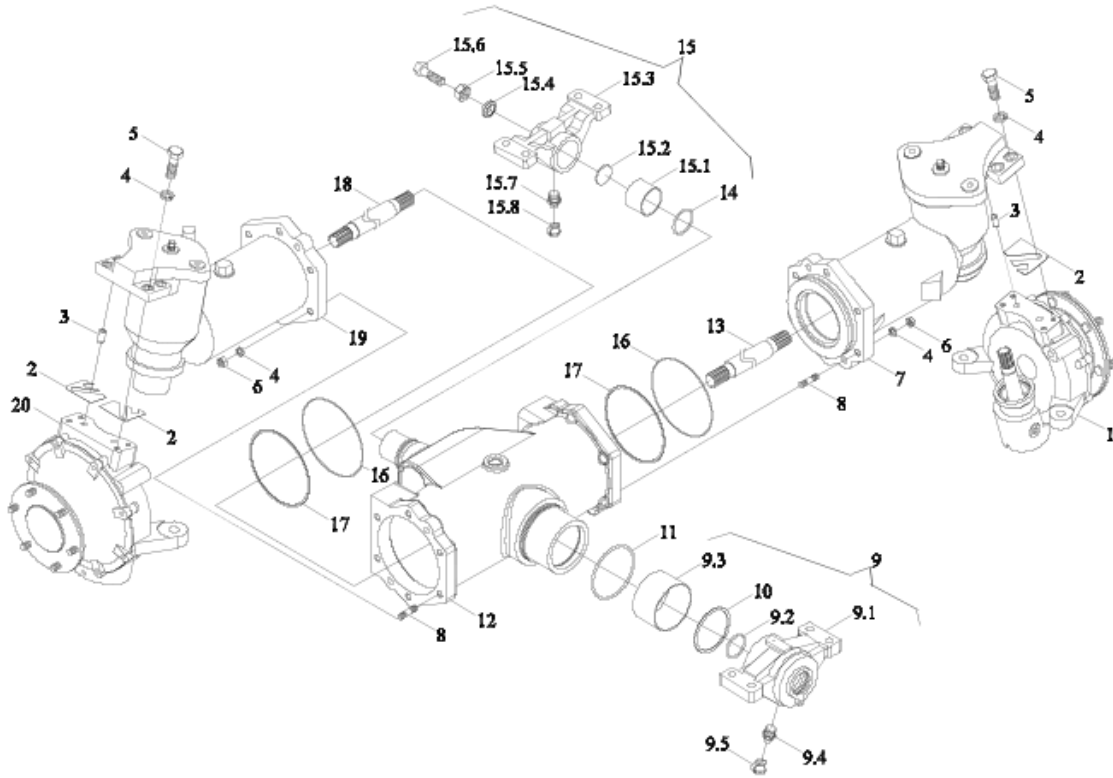
TC02311020000 FRONT DRIVING AXLE ASSEMBLY-1



TC02311020000 FRONT DRIVING AXLE ASSEMBLY-1

| 序号 | 零件图号 | 零件名称 | 版本 | 数量 | 备注 |
|----|-------------------------|---------|----|----|----|
| | TC02311020000 | 前驱动桥总成 | | 1 | |
| 1 | TC02311020001 | 前驱动桥分总成 | | 1 | |
| 2 | FT400.31B.103 | 垫圈 | | 12 | |
| 3 | GBT6176-M14X1.5-10-A3L | 2型六角螺母 | | 12 | |
| 4 | GBT93-14-A0P | 标准型弹簧垫圈 | | 8 | |
| 5 | GBT5783-M14X45-10.9-A3L | 六角头螺栓 | | 8 | |

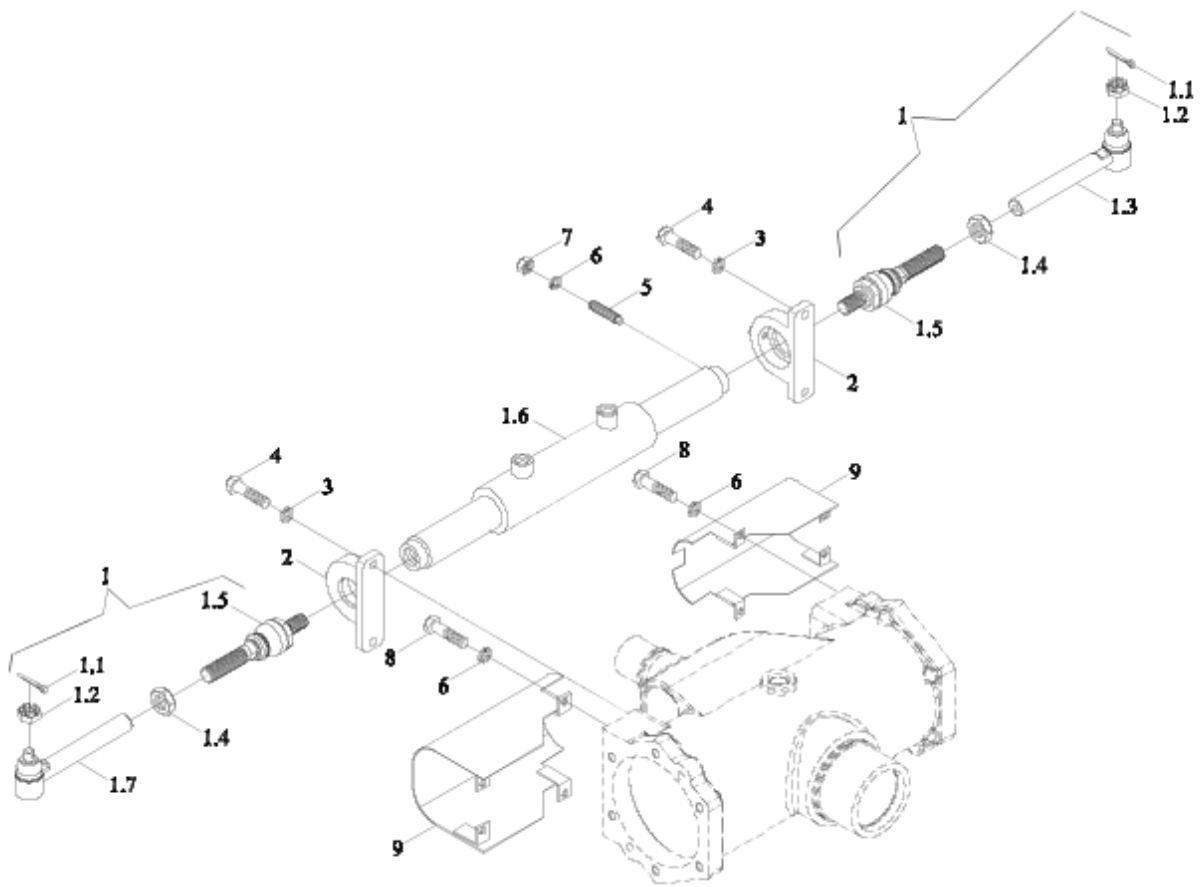
TC02311020000 FRONT DRIVING AXLE ASSEMBLY-2



TC02311020000 FRONT DRIVING AXLE ASSEMBLY-2

| 序号 | 零件图号 | 零件名称 | 版本 | 数量 | 备注 |
|------|-----------------------------|--------------|----|-----|----|
| | TC02311020001 | 前驱动桥分总成 | | 1 | |
| | TC02311020000 | 前驱动桥总成 | | 1 | |
| 1 | TC02311020013 | 右侧末端传动总成 | | 1 | |
| 2 | TC02311010012 | 调整垫 | | 999 | |
| 3 | GBT119.1-12m6X22-A0P | 圆柱销 | | 8 | |
| 4 | GBT93-12-A0P | 标准型弹簧垫圈 | | 20 | |
| 5 | GBT5783-M12X40-10.9-A3L | 六角头螺栓 | | 8 | |
| 6 | GBT6170-M12-10-A3L | 1型六角螺母 | | 12 | |
| 7 | TC02311020003 | 右侧传动总成 | | 1 | |
| 8 | GBT899-GM12-M12X40-10.9-A3L | 双头螺柱 | | 12 | |
| 9 | TC02311010009 | 后支撑架总成 | | 1 | |
| 9.1 | TC02311010071 | 后支撑架 | | 1 | |
| 9.2 | GBT3452.1-45X3.55G | 液压气动用O形橡胶密封圈 | | 1 | |
| 9.3 | TC02311010072 | 滑动轴承 | | 1 | |
| 9.4 | JBT7940.1-M10X1 | 直通式压注油杯 | | 1 | |
| 9.5 | TD800.311C.1-01 | 油杯防尘帽 | | 1 | |
| 10 | TC02311010017 | 铜垫 | | 1 | |
| 11 | GBT3452.1-97.5X3.55G | 液压气动用O形橡胶密封圈 | | 1 | |
| 12 | TC02311010002 | 主减速箱总成 | | 1 | |
| 13 | TC02311020010 | 右半轴 | | 1 | |
| 14 | GBT3452.1-48.7X2.65G | 液压气动用O形橡胶密封圈 | | 1 | |
| 15 | TC02311010008 | 前支撑架总成 | | 1 | |
| 15.1 | TC02311010066 | 滑动轴承 | | 1 | |
| 15.2 | TC02311010067 | 垫片 | | 1 | |
| 15.3 | TC02311010065 | 前支撑架 | | 1 | |
| 15.4 | TC02311010068 | 密封垫 | | 1 | |
| 15.5 | GBT6170-M16-8-A3L | 1型六角螺母 | | 1 | |
| 15.6 | GBT5783-M16X50-8.8-A3L | 六角头螺栓 | | 1 | |
| 15.7 | JBT7940.1-M10X1 | 直通式压注油杯 | | 1 | |
| 15.8 | TD800.311C.1-01 | 油杯防尘帽 | | 1 | |
| 16 | GBT3452.1-136X3.55G | 液压气动用O形橡胶密封圈 | | 2 | |
| 17 | TC02311010081 | 调整垫片 | | 999 | |
| 18 | TC02311020009 | 左半轴 | | 1 | |
| 19 | TC02311020002 | 左侧传动总成 | | 1 | |
| 20 | TC02311020012 | 左侧末端传动总成 | | 1 | |

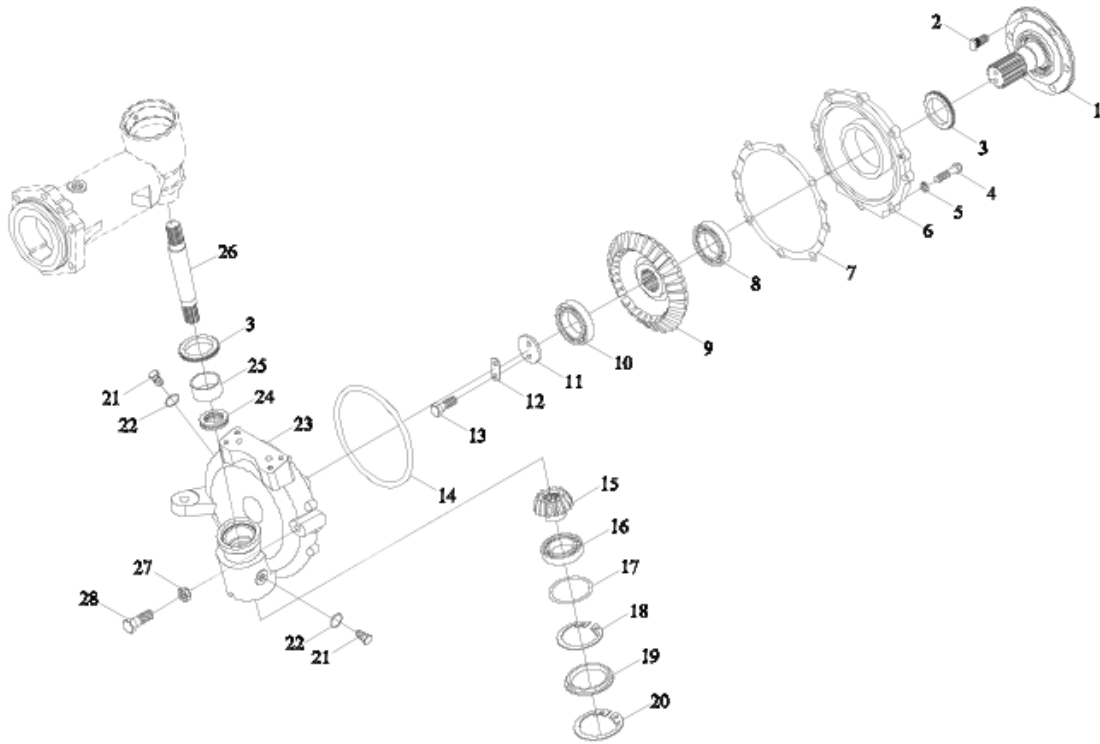
TC02311020000 FRONT DRIVING AXLE ASSEMBLY-3



TC02311020000 FRONT DRIVING AXLE ASSEMBLY-3

| 序号 | 零件图号 | 零件名称 | 版本 | 数量 | 备注 |
|-----|-------------------------|------------|----|----|----|
| | TC02311020001 | 前驱动桥分总成 | | 1 | |
| | TC02311020000 | 前驱动桥总成 | | 1 | |
| 1 | TC02311020007 | 转向油缸总成 | | 1 | |
| 1.1 | GBT91-3.2X40-AOP | 开口销 | | 2 | |
| 1.2 | TC02311010075 | 六角开槽螺母 | | 2 | |
| 1.3 | TC02311020011 | 右转向连杆 | | 1 | |
| 1.4 | GBT6173-M22X15-05-A3L | 六角薄螺母 | | 2 | |
| 1.5 | TC02311010077 | 连接球头 | | 2 | |
| 1.6 | TC02311010084 | 转向油缸 | | 1 | |
| 1.7 | TC02311020008 | 左转向连杆 | | 1 | |
| 2 | TC02311010085 | 油缸支座 | | 2 | |
| 3 | GBT93-12-A0P | 标准型弹簧垫圈 | | 4 | |
| 4 | GBT5783-M12X35-10.9-A3L | 六角头螺栓 | | 4 | |
| 5 | GBT75-M8X35-14H-A2L | 开槽长圆柱端紧定螺钉 | | 2 | |
| 6 | GBT93-8-A0P | 标准型弹簧垫圈 | | 10 | |
| 7 | GBT6170-M8-8-A2L | 1型六角螺母 | | 2 | |
| 8 | GBT5783-M8X16-8.8-A2L | 六角头螺栓 | | 8 | |
| 9 | TC02311010015 | 护罩 | | 2 | |

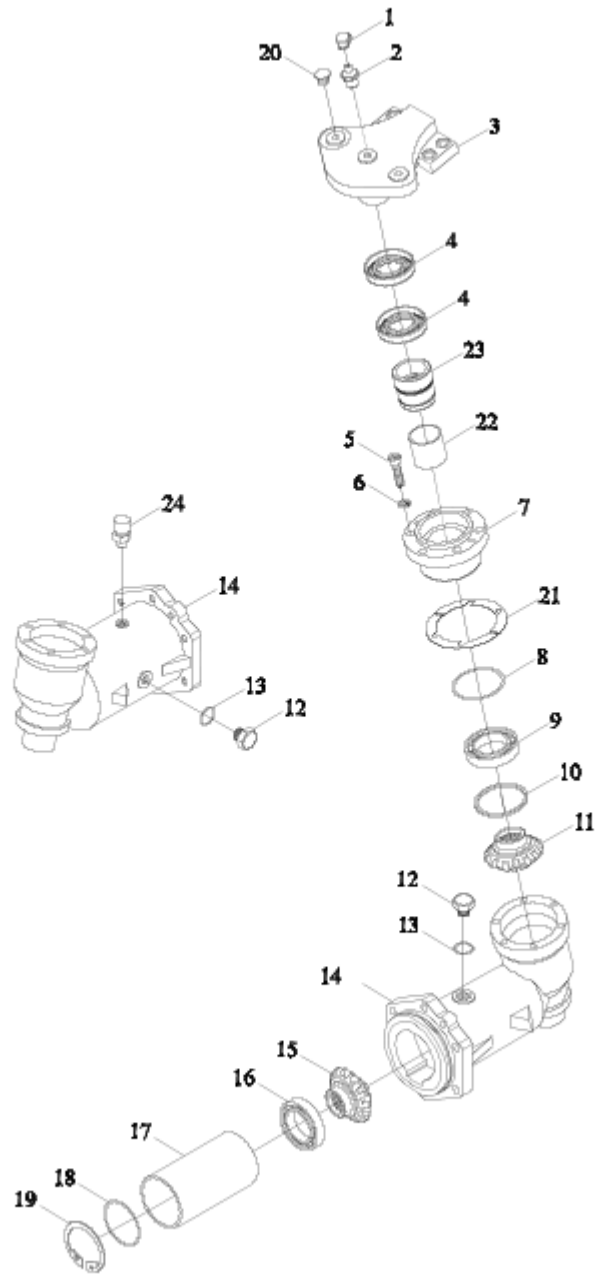
TC02311020000 FRONT DRIVING AXLE ASSEMBLY-4



TC02311020000 FRONT DRIVING AXLE ASSEMBLY-4

| 序号 | 零件图号 | 零件名称 | 版本 | 数量 | 备注 |
|----|-------------------------|--------------|----|-----|----|
| | TC02311020001 | 前驱动桥分总成 | | 1 | |
| | TC02311020012 | 左侧末端传动总成 | | 1 | |
| | TC02311020013 | 右侧末端传动总成 | | 1 | |
| 1 | TC02311020014 | 前驱动轴 | | 1 | |
| 2 | TC02311020015 | 滚花螺栓 | | 6 | |
| 3 | TC02311010032 | 浮动油封 | | 2 | |
| 4 | GBT5783-M10X40-10.9-A3L | 六角头螺栓 | | 8 | |
| 5 | GBT93-10-A0P | 标准型弹簧垫圈 | | 8 | |
| 6 | TC02311010050 | 端部大盖 | | 1 | |
| 7 | TC02311010060 | 调整垫I | | 999 | |
| 8 | GBT276-6410 | 深沟球轴承 | | 1 | |
| 9 | TC02311020019 | 端部大齿轮 | | 1 | |
| 10 | GBT276-6310 | 深沟球轴承 | | 1 | |
| 11 | TC02311010055 | 垫片 | | 1 | |
| 12 | TC02311010054 | 锁片 | | 1 | |
| 13 | GBT5783-M10X30-10.9-A3L | 六角头螺栓 | | 2 | |
| 14 | GBT3452.1-243X5.30G | 液压气动用O形橡胶密封圈 | | 1 | |
| 15 | TC02311020020 | 端部小齿轮 | | 1 | |
| 16 | GBT276-6308 | 深沟球轴承 | | 1 | |
| 17 | TC02311010059 | 调整垫II | | 999 | |
| 18 | GBT893.1-90 | 孔用弹性挡圈 | | 1 | |
| 19 | TC02311010058 | 密封盖 | | 1 | |
| 20 | GBT893.1-102 | 孔用弹性挡圈 | | 1 | |
| 21 | TD904.311K.1-13 | 螺塞 | | 2 | |
| 22 | GBT3452.1-21.2X2.65G | 液压气动用O形橡胶密封圈 | | 2 | |
| 23 | TC02311010047 | 左末端传动壳体 | | 1 | |
| 23 | TC02311010048 | 右末端传动壳体 | | 1 | |
| 24 | GBT301-51107 | 推力球轴承 | | 1 | |
| 25 | TC02311010057 | 衬套 | | 1 | |
| 26 | TC02311010056 | 端部花键轴 | | 1 | |
| 27 | GBT6172.1-M16-04-A3L | 六角薄螺母 | | 1 | |
| 28 | GBT5783-M16X40-10.9-A3L | 六角头螺栓 | | 1 | |

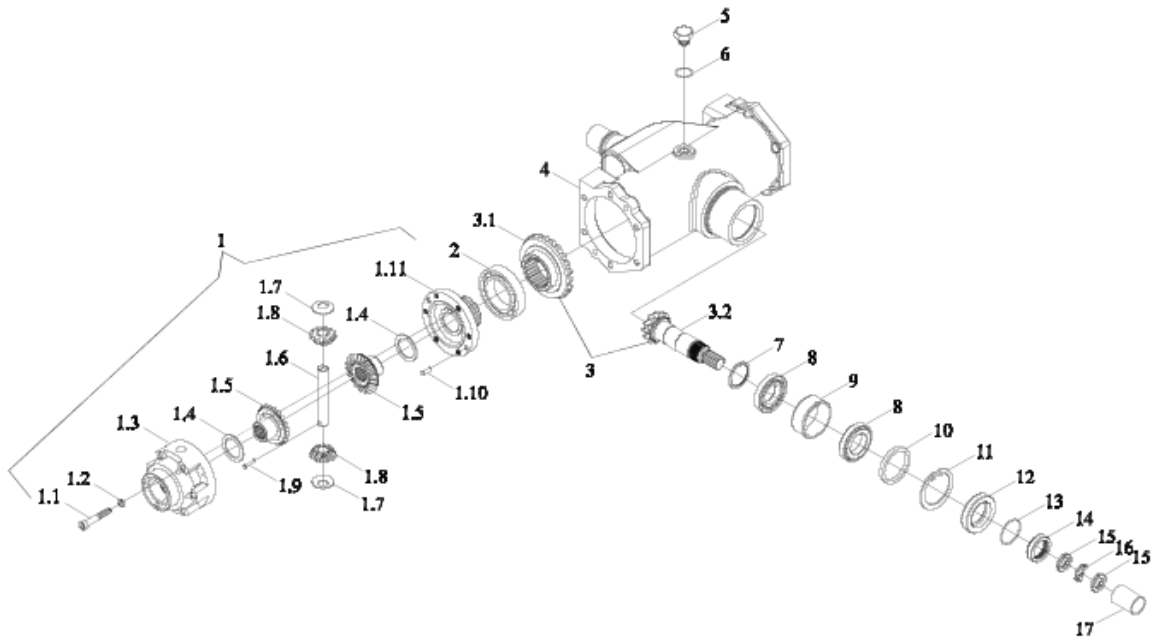
TC02311020000 FRONT DRIVING AXLE ASSEMBLY-5



TC02311020000 FRONT DRIVING AXLE ASSEMBLY-5

| 序号 | 零件图号 | 零件名称 | 版本 | 数量 | 备注 |
|----|-----------------------|--------------|----|-----|----|
| 1 | TD800.311C.1-01 | 油杯防尘帽 | | 1 | |
| 2 | JBT7940.1-M10X1 | 直通式压注油杯 | | 1 | |
| 3 | TC02311010041 | 连接盖 | | 1 | |
| 4 | GBT9877.1-FB65X85X10D | 内包骨架旋转轴唇形密封圈 | | 2 | |
| 5 | GBT70.1-M8X25-8.8 | 内六角圆柱头螺钉 | | 6 | |
| 6 | GBT93-8-A0P | 标准型弹簧垫圈 | | 6 | |
| 7 | TC02311010044 | 油封端盖 | | 1 | |
| 8 | GBT3452.1-92.5X5.30G | 液压气动用O形橡胶密封圈 | | 1 | |
| 9 | GBT276-6211 | 深沟球轴承 | | 1 | |
| 10 | TC02311010039 | 轴承垫片 | | 1 | |
| 11 | TC02311020018 | 从动齿轮 | | 1 | |
| 12 | TD904.311K.1-13 | 螺塞 | | 1 | |
| 13 | GBT3452.1-21.2X2.65G | 液压气动用O形橡胶密封圈 | | 1 | |
| 14 | TC02311020006 | 右半轴壳体 | | 1 | |
| 14 | TC02311020004 | 左半轴壳体 | | 1 | |
| 15 | TC02311020017 | 主动齿轮 | | 1 | |
| 16 | GBT276-6309 | 深沟球轴承 | | 1 | |
| 17 | TC02311020005 | 套管 | | 1 | |
| 18 | TC02311010073 | 调整垫片 | | 999 | |
| 19 | GBT893.1-100 | 孔用弹性挡圈 | | 1 | |
| 20 | TC02311010074 | 堵塞 | | 2 | |
| 21 | TC02311010040 | 调整垫 | | 999 | |
| 22 | TC02311010043 | 滑动轴承 | | 1 | |
| 23 | TC02311010042 | 衬套 | | 1 | |
| 24 | TD904.311K.1.6 | 通气塞 | | 1 | |

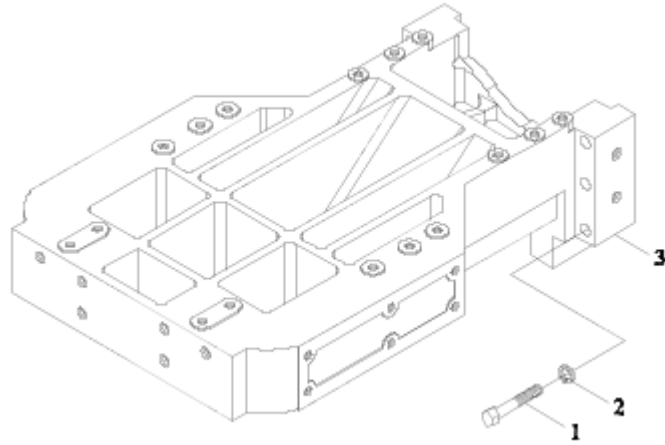
TC02311020000 FRONT DRIVING AXLE ASSEMBLY-6



TC02311020000 FRONT DRIVING AXLE ASSEMBLY-6

| 序号 | 零件图号 | 零件名称 | 版本 | 数量 | 备注 |
|------|----------------------|--------------|----|-----|----|
| | TC02311020000 | 前驱动桥总成 | | 1 | |
| | TC02311020001 | 前驱动桥分总成 | | 1 | |
| | TC02311010002 | 主减速箱总成 | | 1 | |
| 1 | TC02311010018 | 差速器总成 | | 1 | |
| 1.1 | GBT70.1-M10X70-8.8 | 内六角圆柱头螺钉 | | 6 | |
| 1.2 | GBT93-10 | 标准型弹簧垫圈 | | 6 | |
| 1.3 | TC02311010027 | 差速器左壳 | | 1 | |
| 1.4 | TC02311010030 | 半轴齿轮垫片 | | 2 | |
| 1.5 | TC02311010035 | 半轴齿轮 | | 2 | |
| 1.6 | TC02311010033 | 行星齿轮轴 | | 1 | |
| 1.7 | TC02311010031 | 行星齿轮垫片 | | 2 | |
| 1.8 | TC02311010034 | 行星齿轮 | | 2 | |
| 1.9 | GBT119.1-8h8X45-A0P | 圆柱销 | | 1 | |
| 1.10 | GBT119.1-8h8X20-A0P | 圆柱销 | | 2 | |
| 1.11 | TC02311010028 | 差速器右壳 | | 1 | |
| 2 | GBT276-6216 | 深沟球轴承 | | 2 | |
| 3 | TC02311010026 | 主从动锥齿轮合件 | | 1 | |
| 4 | TC02311010019 | 主减速箱壳体 | | 1 | |
| 5 | TD904.311K.1-13 | 螺塞 | | 1 | |
| 6 | GBT3452.1-21.2X2.65G | 液压气动用O形橡胶密封圈 | | 1 | |
| 7 | TC02311010083 | 主动螺伞齿轮轴调整垫 | | 999 | |
| 8 | GBT297-32208 | 圆锥滚子轴承 | | 2 | |
| 9 | TC02311010022 | 隔套 | | 1 | |
| 10 | TC02311010023 | 调整圈 | | 1 | |
| 11 | GBT893.1-80 | 孔用弹性挡圈 | | 1 | |
| 12 | GBT9877.1-FB55X80X8D | 内包骨架旋转轴唇形密封圈 | | 1 | |
| 13 | GBT3452.1-41.2X3.55G | 液压气动用O形橡胶密封圈 | | 1 | |
| 14 | TC02311010025 | 油封座 | | 1 | |
| 15 | GBT810-M36X1.5 | 小圆螺母 | | 2 | |
| 16 | GBT858-36 | 圆螺母用止动垫圈 | | 1 | |
| 17 | TC02311010024 | 花键保护套 | | 1 | |

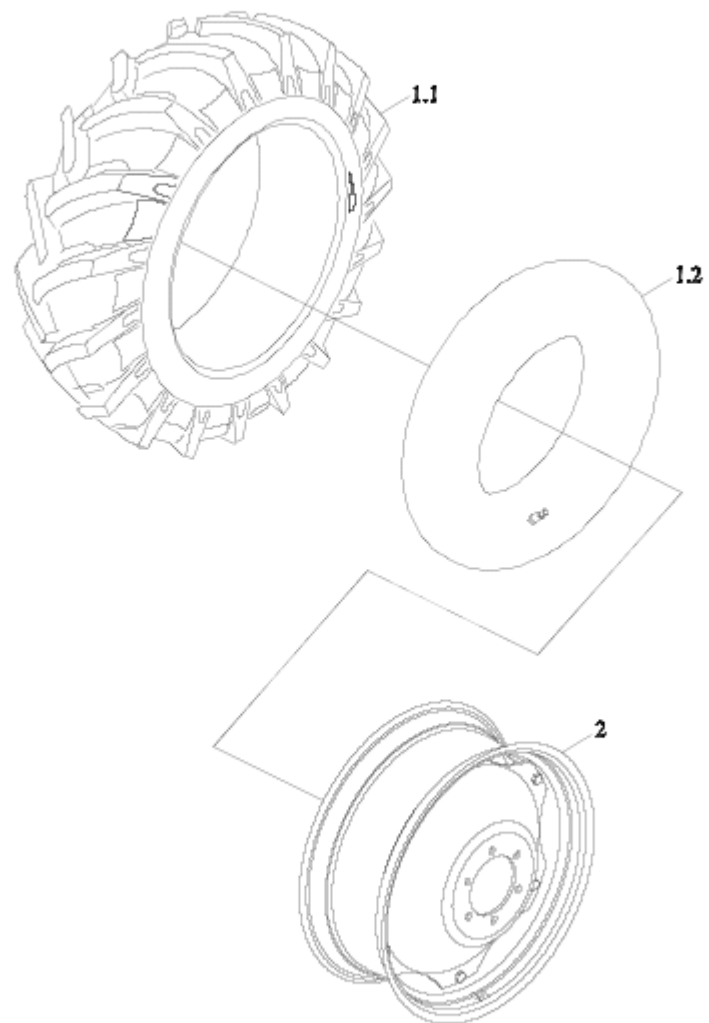
TB554. 312 FRONT BRACKET ASSEMBLY



TB554. 312 FRONT BRACKET ASSEMBLY

| No. | Part No. | Description | Ver- sion | QTY. | Remark |
|-----|---------------|---------------|--------------|------|--------|
| 1 | TC02312010002 | BOLT | | 6 | |
| 2 | TB604.312-04 | WASHER | | 6 | |
| 3 | TB554.312-01 | FRONT BRACKET | | 1 | |

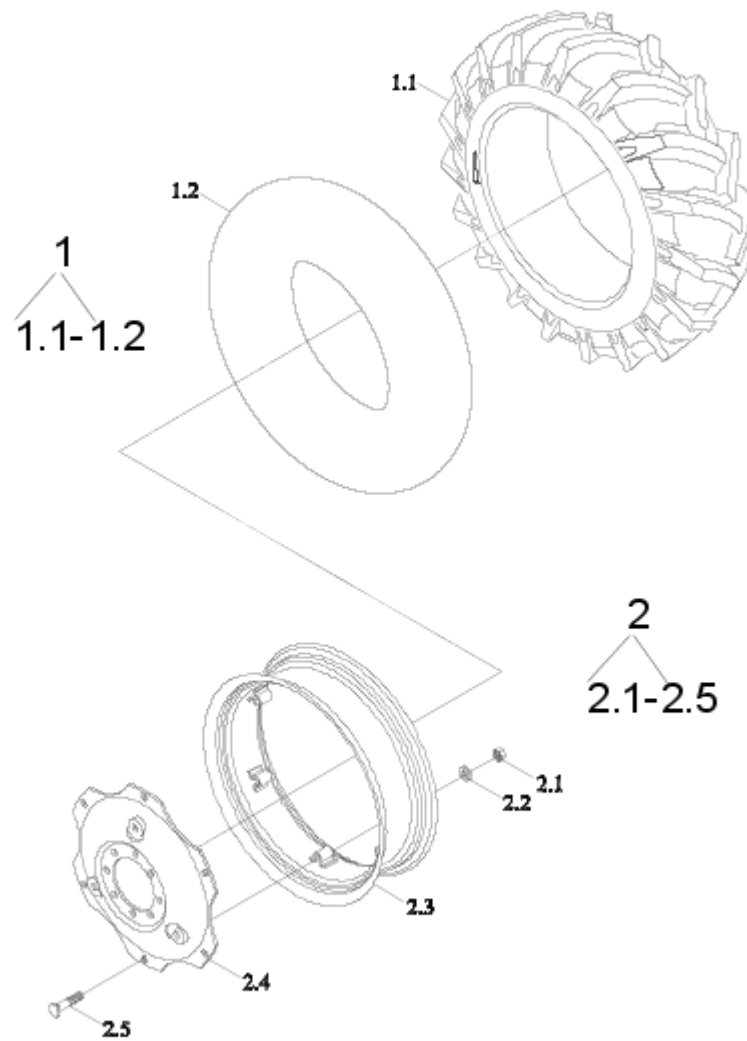
FT404. 32F. 001 FRONT DRIVING WHEEL ASSEMBLY



FT404.32F.001 FRONT DRIVING WHEEL ASSEMBLY

| 序号 | 零件图号 | 零件名称 | 版本 | 数量 | 备注 |
|----|----------------------|--------|----|----|----|
| | FT404.32F.001 | 前驱动轮总成 | | 1 | |
| 1 | GBT2979-8.3-20-6PR-R | 外胎 | | 1 | |
| 2 | GBT2979-8.3-20-R | 内胎 | | 1 | |
| 3 | FT404.32F.011 | 轮辋焊合 | | 1 | |

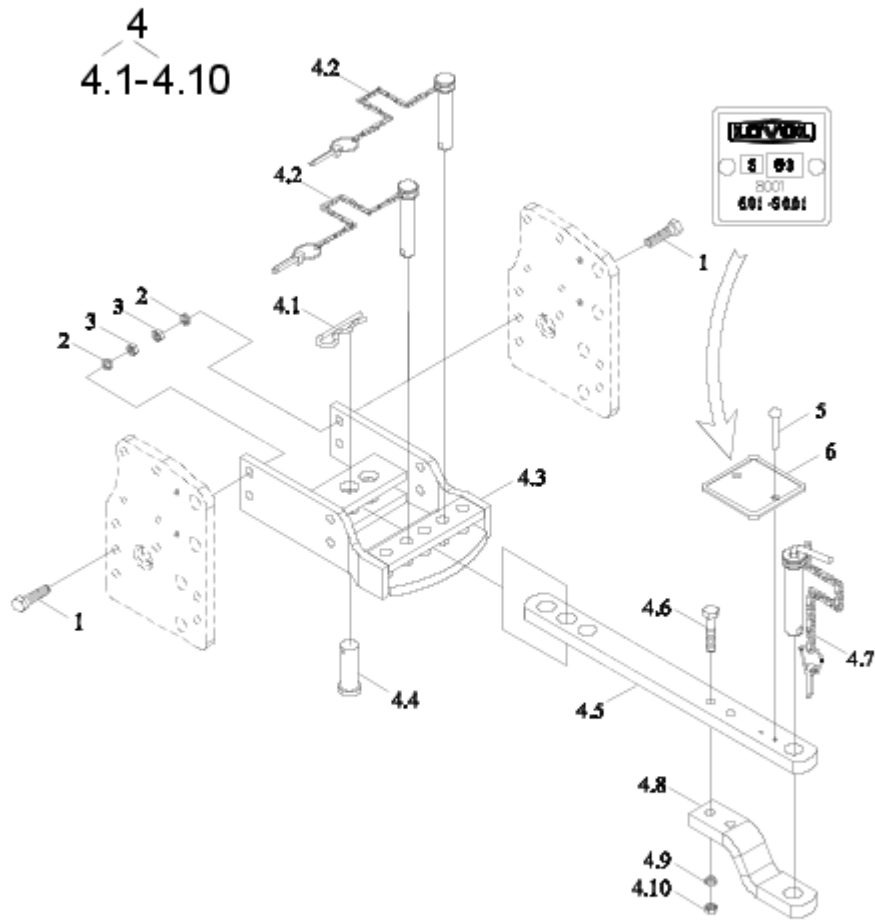
FT404. 34F. 001 REAR DRIVING WHEEL ASSEMBLY



FT404. 34F. 001 REAR DRIVING WHEEL ASSEMBLY

| 序号 | 零件图号 | 零件名称 | 版本 | 数量 | 备注 |
|-----|-----------------------|------------------|----|----|----|
| | FT404.34F.001 | 后驱动轮总成 | | 1 | |
| 1 | FT404.34.011 | 内外胎总成14.9-24 | | 1 | |
| 1.1 | GBT2979-14.9-24-6PR-R | 拖拉机驱动轮普通断面斜交结构外胎 | | 1 | |
| 1.2 | GBT2979-14.9-24-R | 拖拉机驱动轮内胎 | | 1 | |
| 2 | FT404.34F.011 | 轮辋辐板总成 | | 1 | |

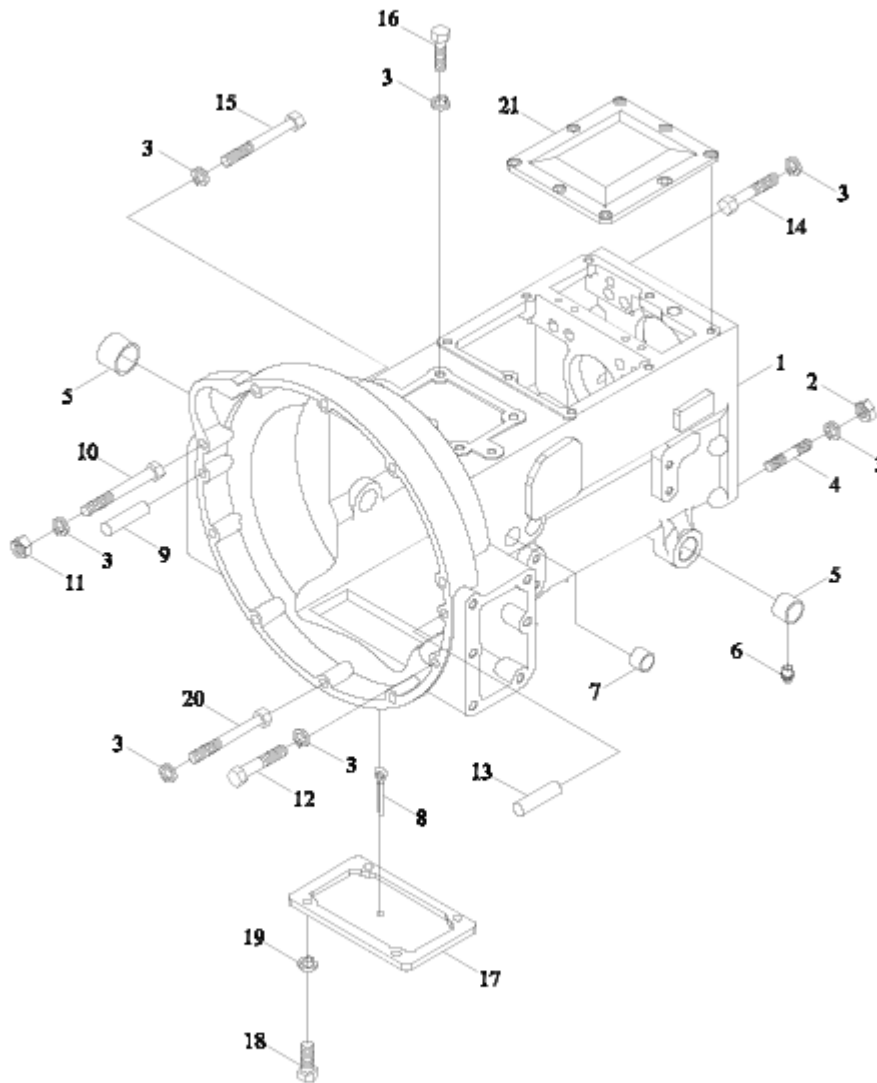
TB400. 35C TOWING MECHANISM INSTALLATION ASSEMBLY



TB400. 35C TOWING MECHANISM INSTALLATION ASSEMBLY

| No. | Part No. | Description | Version | QTY. | Remark |
|------|------------------------|--|---------|------|--------|
| | TB400.35C | TOWING MECHANISM INSTALLATION ASSEMBLY | | 1 | |
| 1 | GBT5783-M16X60-8.8-A3L | HEXAGON BOLT | | 8 | |
| 2 | GBT93-16-A0P | STANDARD SPRING WASHER | | 8 | |
| 3 | GBT6170-M16-8-A3L | HEXAGON NUT, TYPE-1 | | 8 | |
| 4 | TB400.35C.1 | TRACTION DEVICE ASSEMBLY | | 1 | |
| 4.1 | FT65.35.103 | SPRING LOCK PIN | | 1 | |
| 4.2 | TB400.35.1.1 | LIMITING PIN AND LOCK PIN ASSEMBLY | | 2 | |
| 4.3 | TB400.35C.1.1 | TOWING BRACKET WELDMENT | | 1 | |
| 4.4 | FT300.35A.103 | CONNECTING PIN | | 1 | |
| 4.5 | TB400.35C.1-01 | SWING ROD | | 1 | |
| 4.6 | TB400.35.1-03 | BOLT M16X75 | | 2 | |
| 4.7 | TB400.35.1.2 | TOWING PIN AND LOCK PIN ASSEMBLY | | 1 | |
| 4.8 | TB400.35.1-02 | CONNECTING SWING ROD | | 1 | |
| 4.9 | GBT93-16-A0P | STANDARD SPRING WASHER | | 2 | |
| 4.10 | GBT6170-M16-8-A3L | HEXAGON NUT, TYPE-1 | | 2 | |
| 5 | GBT827-3X8-A0P | LABEL RIVET | | 2 | |
| 6 | TB400.35-01 | TOWING SIGN PLATE | | 1 | |

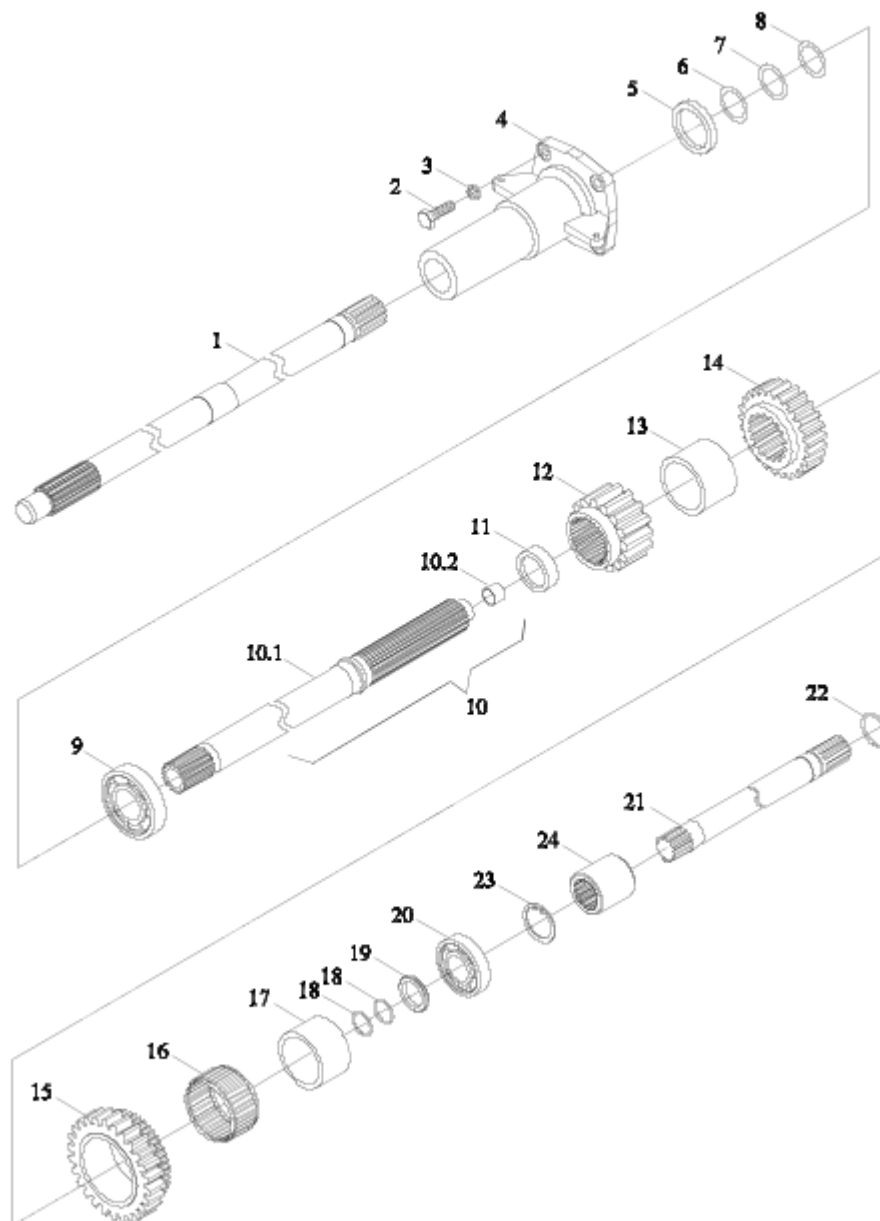
TB604. 371A GEARBOX HOUSING ASSEMBLY



TB604. 371A GEARBOX HOUSING ASSEMBLY

| No. | Part No. | Description | Version | QTY. | Remark |
|-----|--------------------------------|---------------------------------|---------|------|--------|
| | TB604.371A | GEARBOX HOUSING ASSEMBLY | | 1 | |
| 1 | TB604.371-01 | GEARBOX HOUSING | | 1 | |
| 2 | GBT6171-M12X1.5-8-A3L | HEXAGON NUT, TYPE-1 | | 10 | |
| 3 | GBT93-12-A0P | STANDARD SPRING WASHER | | 26 | |
| 4 | GBT899-AM12-M12X1.5X35-8.8-A3L | DOUBLE END STUDS | | 10 | |
| 5 | FT300.37.158 | PEDAL SHAFT BUSH | | 2 | |
| 6 | JBT7940.1-M10X1 | STRAIGHT FORCED FILLING OIL CUP | | 2 | |
| 7 | FT300.37.159 | RELEASE FORK SHAFT BUSH | | 2 | |
| 8 | GBT91-5X32-A0P | SPLIT PIN | | 1 | |
| 9 | GBT119.1-12m6X30-A0P | COLUMN PIN | | 3 | |
| 10 | TB550.371-01 | BOLT | | 3 | |
| 11 | GBT6170-M12-8-A3L | HEXAGON NUT, TYPE-1 | | 6 | |
| 12 | GBT5782-M12X110-8.8-A2L | HEXAGON BOLT | | 2 | |
| 13 | GBT119.1-12m6X22-A0P | COLUMN PIN | | 1 | |
| 14 | GBT5785-M12X1.5X55-8.8-A3L | HEXAGON BOLT | | 2 | |
| 15 | GBT5782-M12X70-8.8-A2L | HEXAGON BOLT | | 4 | |
| 16 | GBT5783-M12X35-8.8-A3L | HEXAGON BOLT | | 4 | |
| 17 | TB400.371E-03 | LOWER PLUG COVER | | 1 | |
| 18 | GBT5783-M10X25-8.8-A3L | HEXAGON BOLT | | 4 | |
| 19 | GBT93-10-A0P | STANDARD SPRING WASHER | | 4 | |
| 20 | TB550.371-02 | BOLT | | 1 | |
| 21 | TB604.371-02 | GEARBOX UPPER COVER | | 1 | |
| 22 | TD800.311C.1-01 | DUSTPROOF CAP OF OIL CUP | | 2 | |
| 23 | GBT5783-M8X20-8.8-A2L | HEXAGON BOLT | | 8 | |
| 24 | GBT93-8-A0P | STANDARD SPRING WASHER | | 8 | |

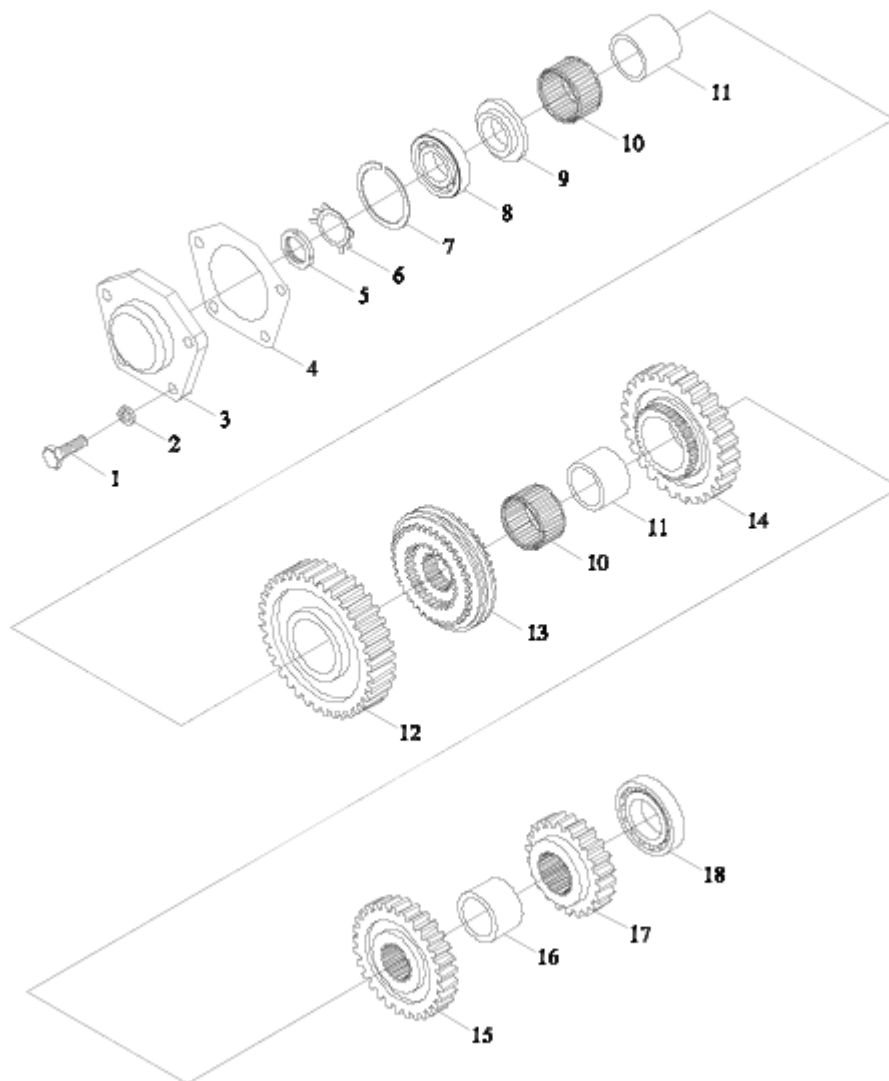
TB604. 372T MAIN GEARSHIFT ASSEMBLY-1



TB604. 372T MAIN GEARSHIFT ASSEMBLY-1

| No. | Part No. | Description | Ver- sion | QTY. | Remark |
|------|-----------------------|---------------------------------|--------------|------|--------|
| | TB604.372T | MAIN GEARSHIFT ASSEMBLY | | 1 | |
| 1 | FT400.37B.201 | AUXILIARY CLUTCH SHAFT | | 1 | |
| 2 | GBT5783-M8X25-8.8-A2L | HEXAGON BOLT | | 4 | |
| 3 | GBT93-8-A0P | WASHER | | 4 | |
| 4 | FT300.37B.124 | SHAFT I BEARING COVER | | 1 | |
| 5 | GBT9877.1-FB40X62X8D | SEAL RING | | 1 | |
| 6 | TB604.372T-12 | I SHAFT ADJUSTING WASHER | | 999 | |
| 7 | TB604.372T-13 | I SHAFT ADJUSTING WASHER | | 999 | |
| 8 | TB604.372T-14 | I SHAFT ADJUSTING WASHER | | 999 | |
| 9 | GBT276-6208 | BEARING | | 1 | |
| 10 | TB604.372T.1 | SHAFT I UNIT | | 1 | |
| 10.1 | TB604.372T.1-01 | SHAFT I | | 1 | |
| 10.2 | FT300.37.170 | BUSH | | 1 | |
| 11 | TB604.372T-15 | I GEAR SPACER | | 1 | |
| 12 | TB604.372T-01 | I DRIVING GEAR | | 1 | |
| 13 | TB604.372T-02 | I-II GEAR SPACER | | 1 | |
| 14 | TB604.372T-03 | II DRIVING GEAR | | 1 | |
| 15 | TB604.372T-05 | III DRIVING GEAR | | 1 | |
| 16 | TB604.372T-17 | ROLLER NEEDLE BEARING K47X52X28 | | 1 | |
| 17 | TB604.372T-16 | III GEAR BUSH | | 1 | |
| 18 | GBT3452.1-23.6X1.80G | O-RING | | 2 | |
| 19 | TB604.372T-04 | RETAINER RING | | 1 | |
| 20 | GBT276-6007 | BEARING | | 1 | |
| 21 | FT300.37J.137 | PTO CONNECTING SHAFT | | 1 | |
| 22 | GBT895.2-24 | RETAINER RING | | 1 | |
| 23 | GBT893.1-21 | CIRCLIPS FOR HOLE | | 1 | |
| 24 | FT300.37.136 | CONNECTING SLEEVE | | 1 | |

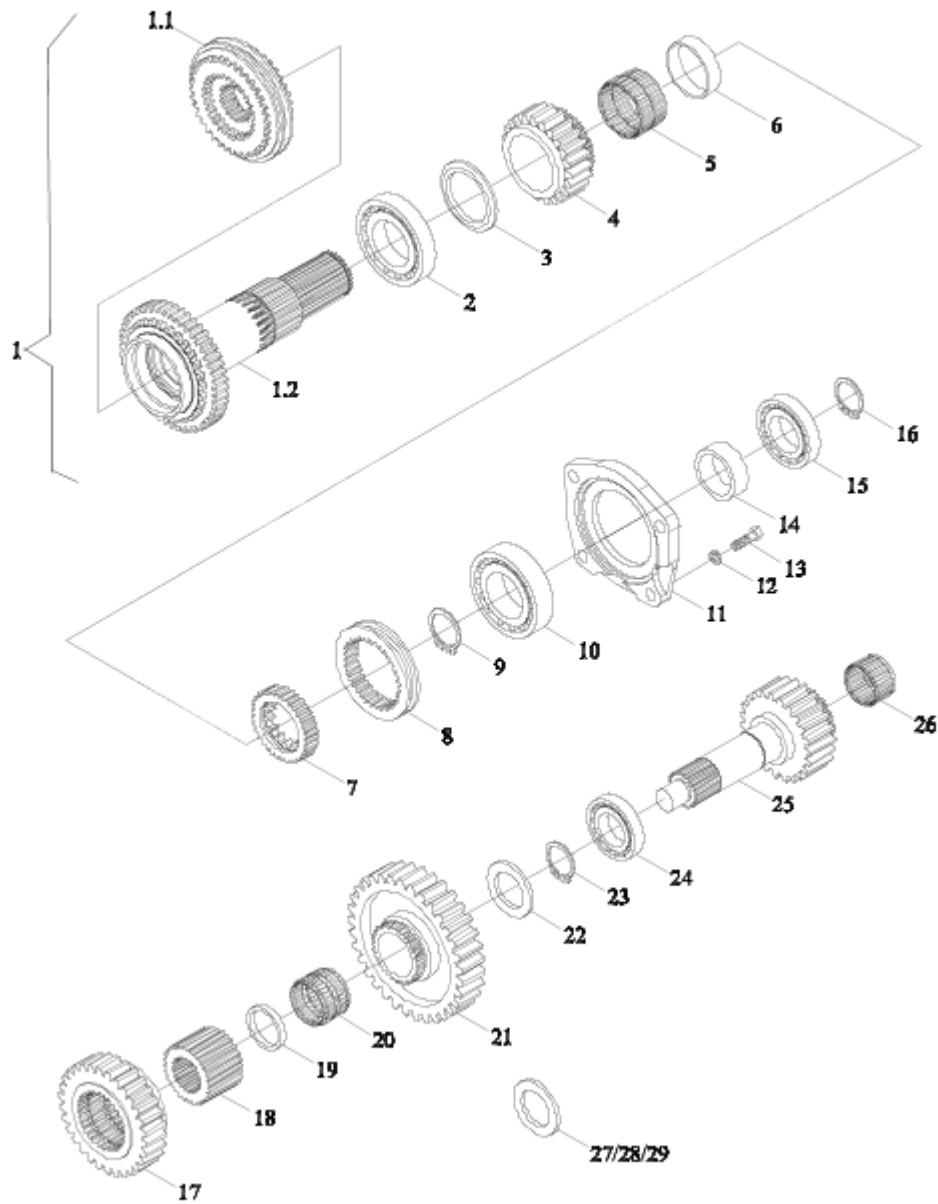
TB604. 372T MAIN GEARSHIFT ASSEMBLY-2



TB604. 372T MAIN GEARSHIFT ASSEMBLY-2

| No. | Part No. | Description | Version | QTY. | Remark |
|-----|-----------------------|-------------------------------------|---------|------|--------|
| | TB604.372T | MAIN GEARSHIFT ASSEMBLY | | 1 | |
| 1 | GBT5783-M8X25-8.8-A2L | HEXAGON BOLT | | 4 | |
| 2 | GBT93-8-A0P | WASHER | | 4 | |
| 3 | FT300.37.120 | SHAFT II BEARING COVER | | 1 | |
| 4 | FT300.37.119 | SHAFT II BEARING COVER PAPER GASKET | | 1 | |
| 5 | GBT812-M24X1.5 | NUT | | 1 | |
| 6 | GBT858-24 | WASHER | | 1 | |
| 7 | GBT305-72-78.6 | THRUST RING | | 1 | |
| 8 | GBT276-6306N | BEARING | | 1 | |
| 9 | TB604.372T-11 | SHAFT II END RETAINER RING | | 1 | |
| 10 | TB550.372-05 | ROLLER NEEDLE BEARING K43X49X30 | | 2 | |
| 11 | FT300.37M.114 | I-II GEAR BUSH | | 2 | |
| 12 | TB604.372T-10 | I DRIVEN GEAR | | 1 | |
| 13 | TE354.361T.3 | SYNCHRONIZER ASSEMBLY | | 1 | |
| 14 | TB604.372T-09 | II DRIVEN GEAR | | 1 | |
| 15 | TB604.372T-07 | III DRIVEN GEAR | | 1 | |
| 16 | FT300.37.110 | III-IV GEAR SPACER | | 1 | |
| 17 | TB604.372T-06 | IV DRIVEN GEAR | | 1 | |
| 18 | GBT283-NUP208E | BEARING | | 1 | |

TB604. 373T AUXILIARY GEARSHIFT ASSEMBLY



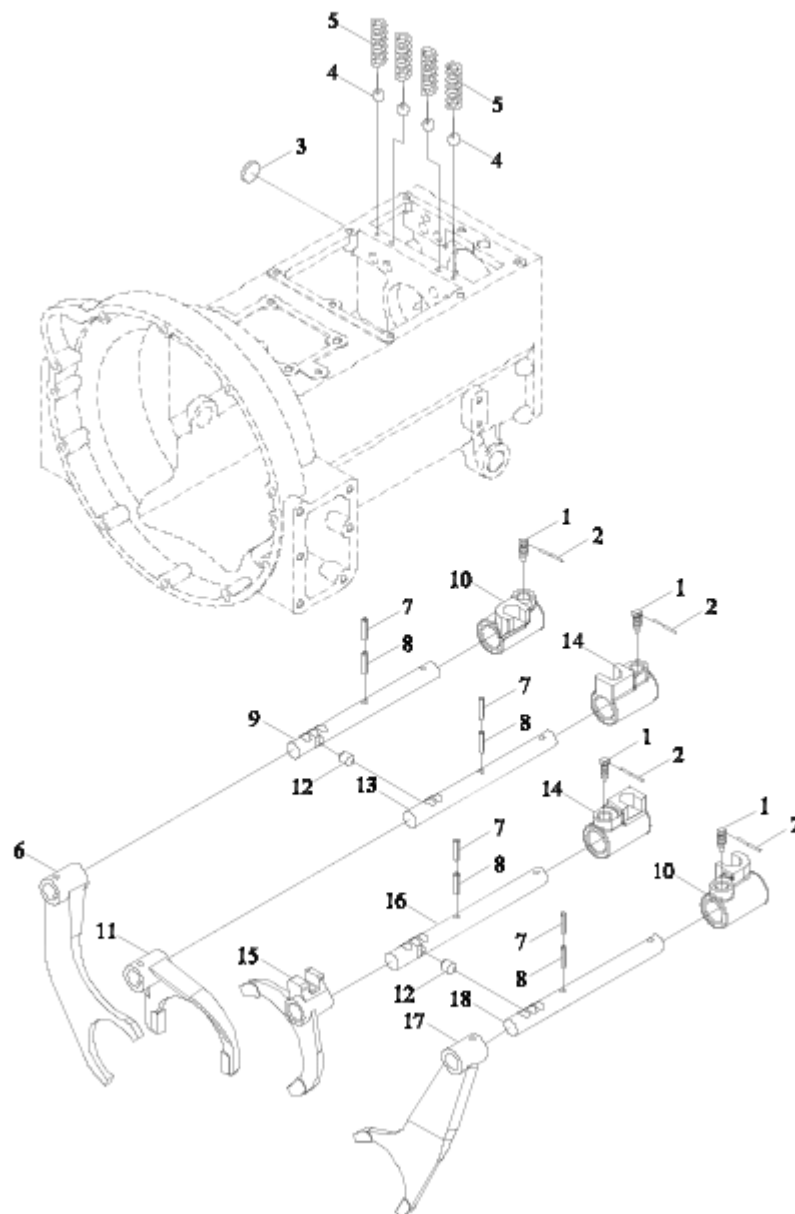
TB604. 373T AUXILIARY GEARSHIFT ASSEMBLY

| No. | Part No. | Description | Ver- sion | QTY. | Remark |
|-----|------------------------|-----------------------------------|--------------|------|--------|
| | TB604.373T | AUXILIARY GEARSHIFT ASSEMBLY | | 1 | |
| 1 | TB604.373T.4 | SYNCHRONIZER ASSEMBLY | | 1 | |
| 1.1 | TB604.372T.3 | SYNCHRONIZER ASSEMBLY | | 1 | |
| 1.2 | TB604.373T.3 | CONE RING WELDMENT | | 1 | |
| 2 | GBT283-NUP210E | BEARING | | 1 | |
| 3 | TB550.373-02 | RETAINER RING | | 1 | |
| 4 | TB550.373-03b | MIDDLE GEAR DRIVING GEAR | | 1 | |
| 5 | TB550.373-12 | ROLLING BEARING KK50X55X30 | | 1 | |
| 6 | TB550.373-04b | SPACER BUSH | | 1 | |
| 7 | TB550.373-05b | MIDDLE GEAR MESHING GEAR SEAT | | 1 | |
| 8 | TB550.373-06a | MIDDLE GEAR SHIFT COLLAR | | 1 | |
| 9 | GBT894.1-50 | RETAINER RING | | 1 | |
| 10 | GBT283-NUP308E | BEARING | | 1 | |
| 11 | FT300.37.139 | AUXILIARY GEARSHIFT BEARING COVER | | 1 | |
| 12 | GBT93-10-A0P | WASHER | | 4 | |
| 13 | GBT5783-M10X30-8.8-A3L | HEXAGON BOLT | | 4 | |
| 14 | FT300.37J.180 | SPACER BUSH | | 1 | |
| 15 | GBT283-NF208 | BEARING | | 1 | |
| 16 | GBT894.1-40 | RETAINER RING | | 1 | |
| 17 | TB550.373-08 | MIDDLE GEAR DRIVEN GEAR | | 1 | |
| 18 | TB550.373-09 | REVERSE GEAR MESHING SEAT | | 1 | |
| 19 | FT300.37.111 | SPACER BUSH | | 1 | |
| 20 | QLWZB120-K35X43X34ZW | ROLLER NEEDLE BEARING | | 1 | |
| 21 | FT450.37.103 | AUXILIARY GEARSHIFT DRIVEN GEAR | | 1 | |
| 22 | TB550.373-11a | LIMITING RETAINER RING | | 1 | |
| 23 | GBT894.1-35 | RETAINER RING | | 1 | |
| 24 | GBT283-NUP307E | BEARING | | 1 | |
| 25 | TB550.373-16 | AUXILIARY GEARSHIFT DRIVEN SHAFT | | 1 | |

TB604. 373T AUXILIARY GEARSHIFT ASSEMBLY (cont'd.)

| No. | Part No. | Description | Version | QTY. | Remark |
|-----|--------------------|--------------------------------|---------|------|--------|
| 26 | GBT20056-K25X31X20 | NEEDLE AND CARRIER COMBINATION | | 1 | |
| 27 | TB550.373-15 | LIMITING RETAINER RING | | 1 | |
| 28 | TB550.373-13 | LIMITING RETAINER RING | | 1 | |
| 29 | TB550.373-14 | LIMITING RETAINER RING | | 1 | |

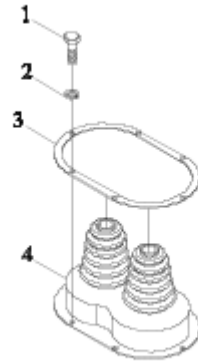
TS04374010000 GEARBOX CONTROL MECHANISM ASSEMBLY-1



TS04374010000 GEARBOX CONTROL MECHANISM ASSEMBLY-1

| No. | Part No. | Description | Version | QTY. | Remark |
|-----|-----------------|------------------------------------|---------|------|--------|
| | TS04374010000 | GEARBOX CONTROL MECHANISM ASSEMBLY | | 1 | |
| 1 | TB504.374-01 | LOCKING SCREW | | 4 | |
| 2 | TF1004.374-02 | LOW CARBON STEEL WIRE | | 2 | |
| 3 | Q72214 | PLUG PIECE | | 2 | |
| 4 | GBT308-8-G100-b | STEEL BALL | | 4 | |
| 5 | FT300.37.135 | FORK SHAFT LOCATING SPRING | | 4 | |
| 6 | TB550.374-03a | HIGH AND LOW GEAR FORK | | 1 | |
| 7 | GBT879.1-3X24 | SPRING COLUMN PIN | | 4 | |
| 8 | GBT879.1-5X24 | SPRING COLUMN PIN | | 4 | |
| 9 | TB604.374B-03 | HIGH AND LOW GEAR FORK SHAFT | | 1 | |
| 10 | TB604.374B-05 | I-II GEAR FORK HEAD | | 2 | |
| 11 | TB550.374-04a | MIDDLE GEAR FORK | | 1 | |
| 12 | FT300.37.151 | MUTUAL PIN | | 2 | |
| 13 | TB604.374B-04 | MIDDLE GEAR FORK SHAFT | | 1 | |
| 14 | TB604.374B-06 | III-IV FORK HEAD | | 2 | |
| 15 | TB604.374A-01 | III-IV FORK | | 1 | |
| 16 | TB604.374B-02 | III-IV FORK SHAFT | | 1 | |
| 17 | TB604.374A-04 | I-II GEAR FORK | | 1 | |
| 18 | TB604.374B-01 | I-II GEAR FORK SHAFT | | 1 | |

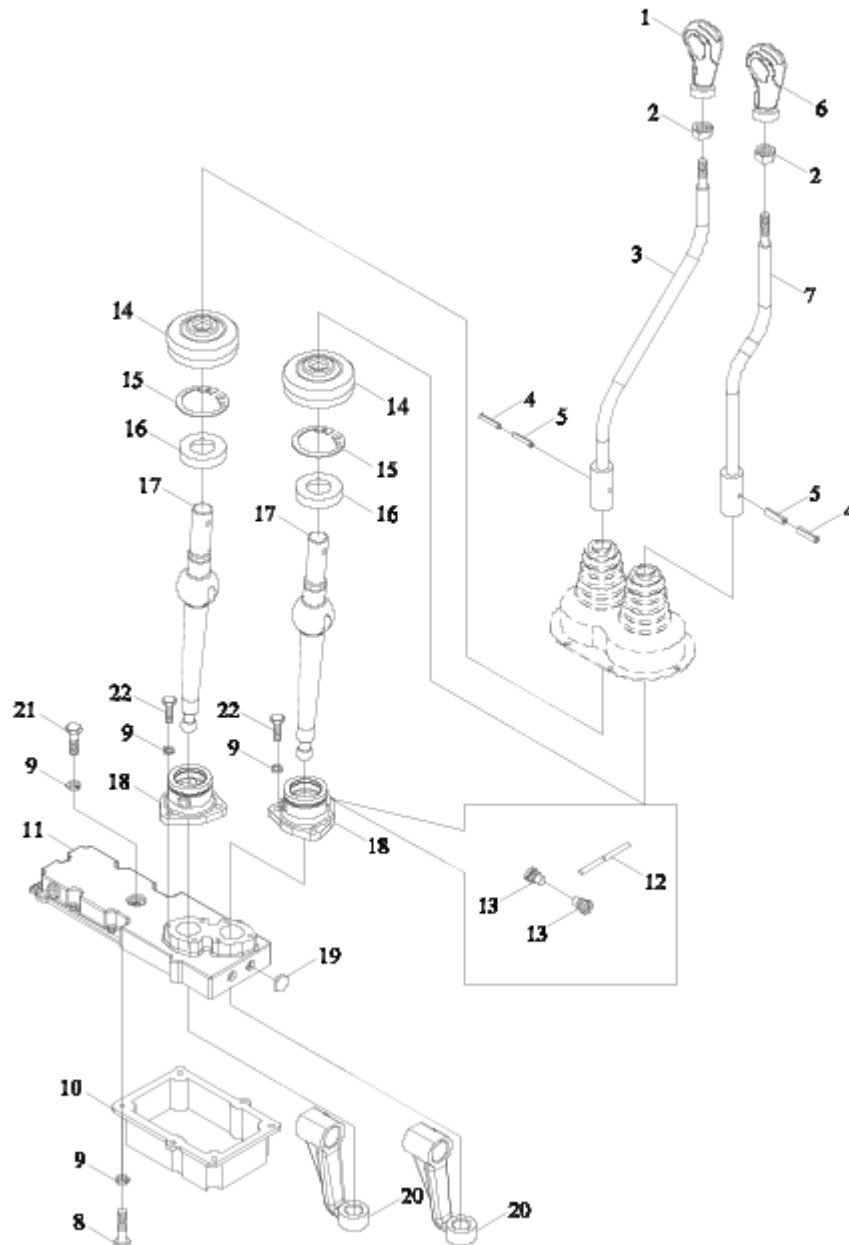
TS04374010000 GEARBOX CONTROL MECHANISM ASSEMBLY-2



TS04374010000 GEARBOX CONTROL MECHANISM ASSEMBLY-2

| No. | Part No. | Description | Version | QTY. | Remark |
|-----|-----------------------|------------------------------------|---------|------|--------|
| | TS04374010000 | GEARBOX CONTROL MECHANISM ASSEMBLY | | 1 | |
| 1 | GBT5783-M6X20-8.8-A2L | HEXAGON BOLT | | 6 | |
| 2 | GBT93-6-A0P | STANDARD SPRING WASHER | | 6 | |
| 3 | TB604.374B-09 | SLEEVE PRESSURE PLATE | | 1 | |
| 4 | TB604.374B-08 | GEARLEVER SLEEVE | | 1 | |

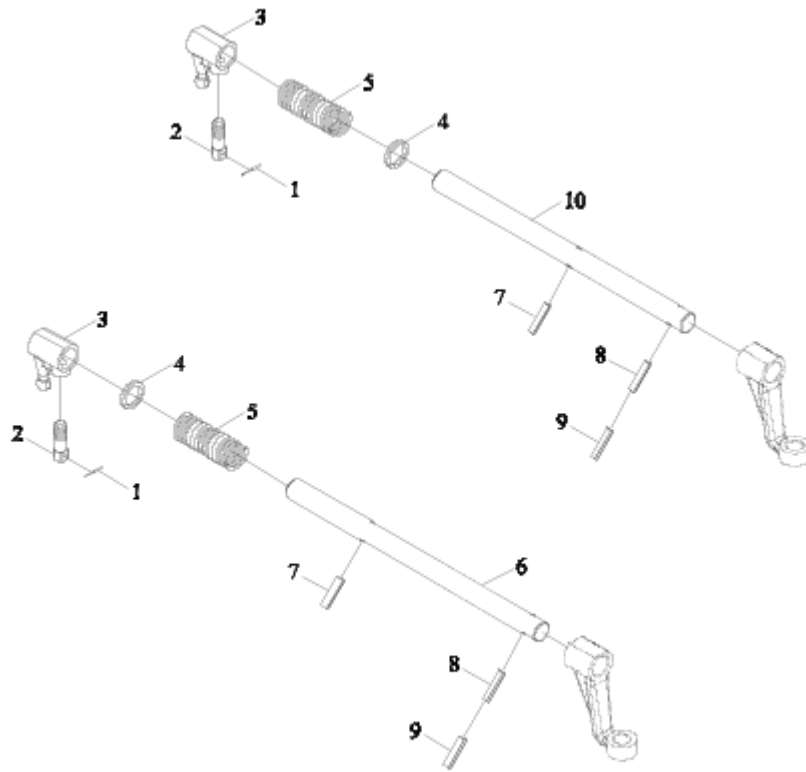
TS04374010000 GEARBOX CONTROL MECHANISM ASSEMBLY-3



TS04374010000 GEARBOX CONTROL MECHANISM ASSEMBLY-3

| No. | Part No. | Description | Version | QTY. | Remark |
|-----|------------------------|------------------------------------|---------|------|--------|
| | TS04374010000 | GEARBOX CONTROL MECHANISM ASSEMBLY | | 1 | |
| | TS04374010000 | GEARBOX CONTROL MECHANISM ASSEMBLY | | 1 | |
| 1 | TS04374010001 | MAIN GEARSHIFT CONTROL HANDLE | | 1 | |
| 2 | GBT6172.1-M10-04-A3L | HEXAGON THIN NUT | | 2 | |
| 3 | TB604.374B.1.1 | MAIN GEARLEVER WELDMENT | | 1 | |
| 4 | GBT879.1-3X28 | SPRING COLUMN PIN | | 2 | |
| 5 | GBT879.1-5X28 | SPRING COLUMN PIN | | 2 | |
| 6 | TS04374010002 | AUXILIARY GEARSHIFT CONTROL HANDLE | | 1 | |
| 7 | TS04374010007 | ASSISTANT GEARLEVER WELDMENT | | 1 | |
| 8 | GBT5783-M8X20-10.9-A2L | HEXAGON BOLT | | 6 | |
| 9 | GBT93-8-A0P | STANDARD SPRING WASHER | | 20 | |
| 10 | TB604.374B.1-02 | SIDE CONTROL LOWER COVER | | 1 | |
| 11 | TB604.374B.1-01 | SIDE CONTROL UPPER COVER | | 1 | |
| 12 | TF1004.374-02 | LOW CARBON STEEL WIRE | | 4 | |
| 13 | FT800A.37.326 | GEARLEVER LOCATING PIN | | 4 | |
| 14 | FT300.37.166a | GEARLEVER DUSTPROOF BONNET | | 2 | |
| 15 | GBT893.1-40 | CIRCLIPS FOR HOLE | | 2 | |
| 16 | FT800A.37.305 | NYLON SEAT | | 2 | |
| 17 | TB604.374B.1-09 | LOWER CONTROL ROD | | 2 | |
| 18 | TB504.374-06 | AUXILIARY GEARLEVER SEAT | | 2 | |
| 19 | Q72220 | PLUG PIECE | | 2 | |
| 20 | TB604.374B.1-06 | FORK HEAD | | 2 | |
| 21 | GBT5782-M8X55-8.8-A2L | HEXAGON BOLT | | 1 | |
| 22 | GBT5783-M8X25-8.8-A2L | HEXAGON BOLT | | 13 | |

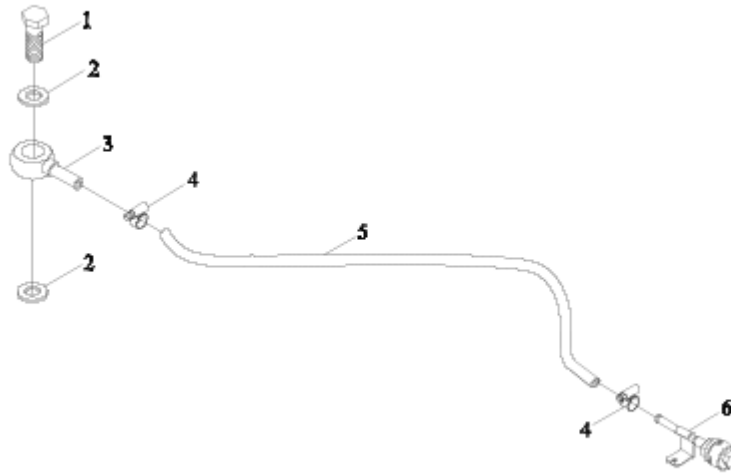
TS04374010000 GEARBOX CONTROL MECHANISM ASSEMBLY-4



TS04374010000 GEARBOX CONTROL MECHANISM ASSEMBLY-4

| No. | Part No. | Description | Version | QTY. | Remark |
|-----|-----------------|------------------------------------|---------|------|--------|
| | TS04374010000 | GEARBOX CONTROL MECHANISM ASSEMBLY | | 1 | |
| | TS04374010000 | GEARBOX CONTROL MECHANISM ASSEMBLY | | 1 | |
| 1 | TF1004.374-02 | LOW CARBON STEEL WIRE | | 2 | |
| 2 | TB504.374-01 | LOCKING SCREW | | 2 | |
| 3 | TB604.374B.1-05 | SIDE CONTROL INNER FORK HEAD | | 2 | |
| 4 | TB604.374B.1-08 | SPRING WASHER | | 2 | |
| 5 | TB604.374B.1-07 | LOCATING SPRING | | 2 | |
| 6 | TB604.374B.1-03 | MAIN SPEED TRANSMISSION ROD | | 1 | |
| 7 | GBT879.1-6X24 | SPRING COLUMN PIN | | 2 | |
| 8 | GBT879.1-3.5X28 | SPRING COLUMN PIN | | 2 | |
| 9 | GBT879.1-6X28 | SPRING COLUMN PIN | | 1 | |
| 10 | TB604.374B.1-04 | AUXILIARY GEAR ROD | | 1 | |

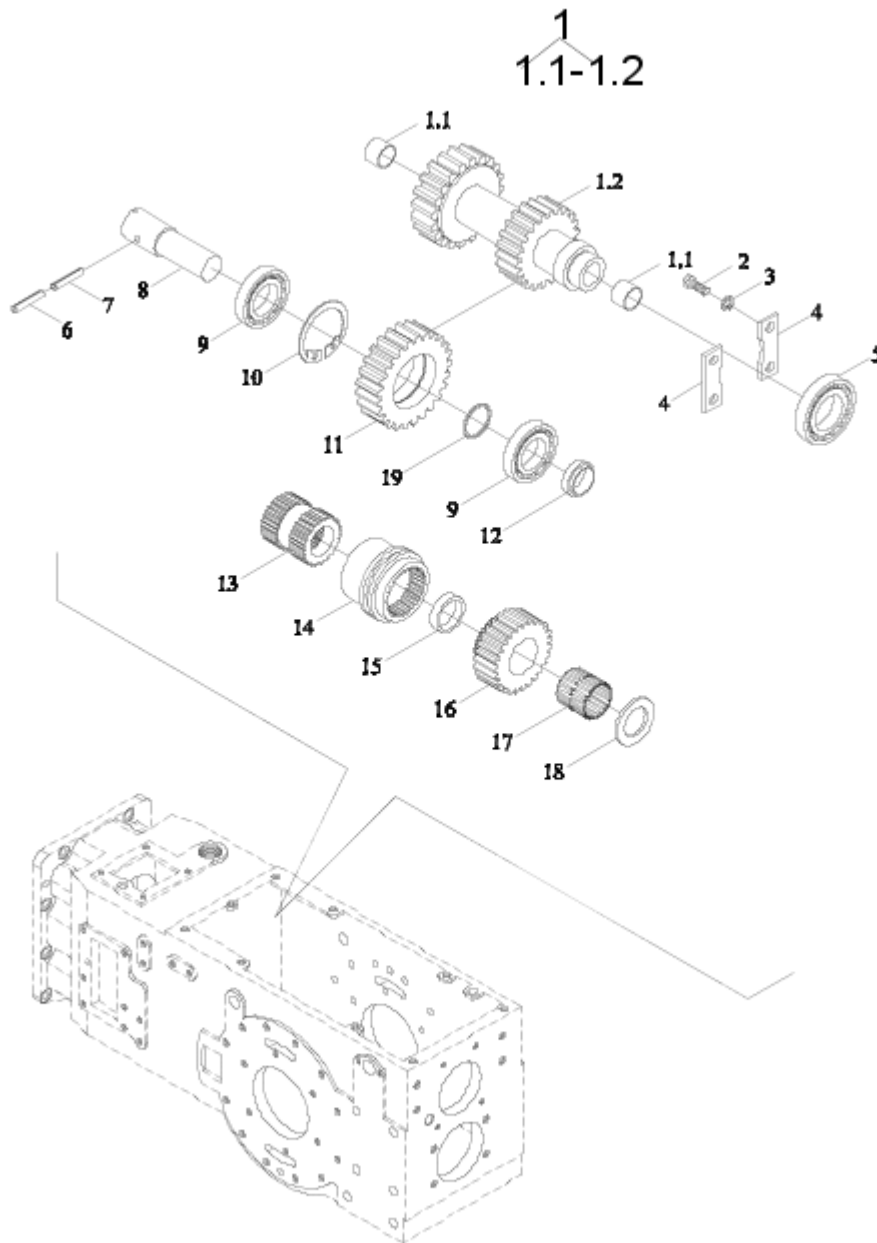
TB604. 375B BREATH ASSEMBLY



TB604. 375B BREATH ASSEMBLY

| No. | Part No. | Description | Version | QTY. | Remark |
|-----|---------------|-------------------------------------|---------|------|--------|
| | TB604.375B | BREATH ASSEMBLY | | 1 | |
| 1 | FT800.40.172 | HOLLOW BOLT | | 1 | |
| 2 | JB982-14 | COMBINED SEAL GASKET | | 2 | |
| 3 | FT65.37.186 | PIPE JOINT | | 1 | |
| 4 | Q67512 | A-TYPE WORM TRANSMISSION HOSE CLAMP | | 2 | |
| 5 | TS04374010010 | BREATH HOSE | | 1 | |
| 6 | TB604.375.1 | BREATH ASSEMBLY | | 1 | |

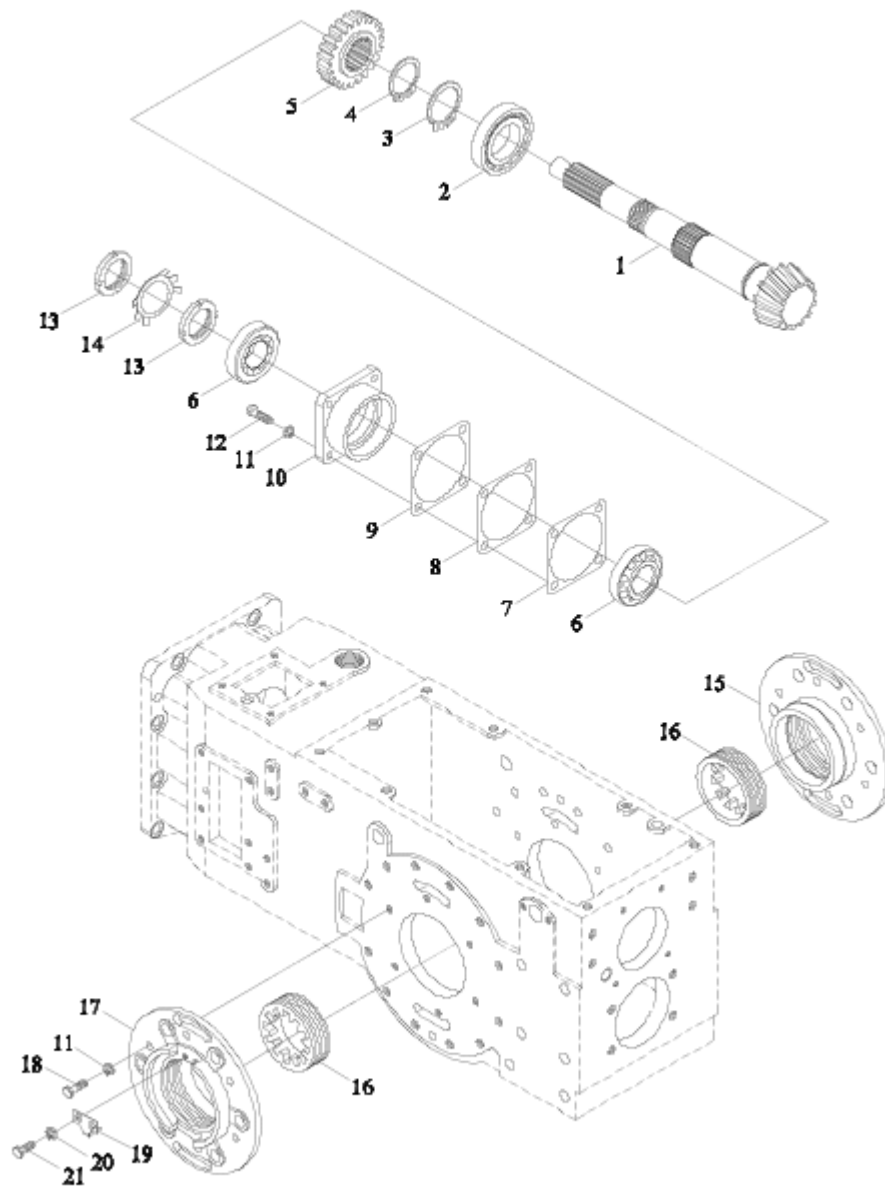
TB554. 381 SHUTTLE SHIFT ASSEMBLY



TB554. 381 SHUTTLE SHIFT ASSEMBLY

| No. | Part No. | Description | Version | QTY. | Remark |
|-----|------------------------|--|---------|------|--------|
| | TB554.381 | SHUTTLE SHIFT ASSEMBLY | | 1 | |
| 1 | TB450.38J.1 | REVERSE MIDDLE SHAFT ASSEMBLY | | 1 | |
| 2 | GBT5783-M10X25-8.8-A3L | BOLT | | 4 | |
| 3 | GBT93-10-A0P | WASHER | | 4 | |
| 4 | FT300.38J.204 | BEARING PRESSURE PLATE | | 2 | |
| 5 | GBT283-NJ208E | BEARING | | 1 | |
| 6 | GBT879.1-5X30 | PIN | | 1 | |
| 7 | GBT879.1-8X30 | PIN | | 1 | |
| 8 | TB450.38J-07 | REVERSE IDLER GEAR SHAFT | | 1 | |
| 9 | GBT283-NJ206E | BEARING | | 2 | |
| 10 | GBT893.1-62 | RETAINER RING | | 1 | |
| 11 | TB450.38J-06 | REVERSE IDLER GEAR | | 1 | |
| 12 | TB450.38J-08 | REVERSE IDLER GEAR SHAFT SPACER SLEEVE | | 1 | |
| 13 | TB450.38J-01 | MESHING SEAT | | 1 | |
| 14 | TB450.38J-02 | SHIFT COLLAR | | 1 | |
| 15 | TB450.38J-03 | SPACER BUSH | | 1 | |
| 16 | TB450.38J-04 | REVERSE DRIVEN GEAR | | 1 | |
| 17 | QSFZB019-K35X43X34ZW | ROLLER NEEDLE BEARING | | 1 | |
| 18 | FT300.38J.202 | ADJUSTING WASHER | | 1 | |
| 19 | TB554.381-02 | GASKET | | 1 | |

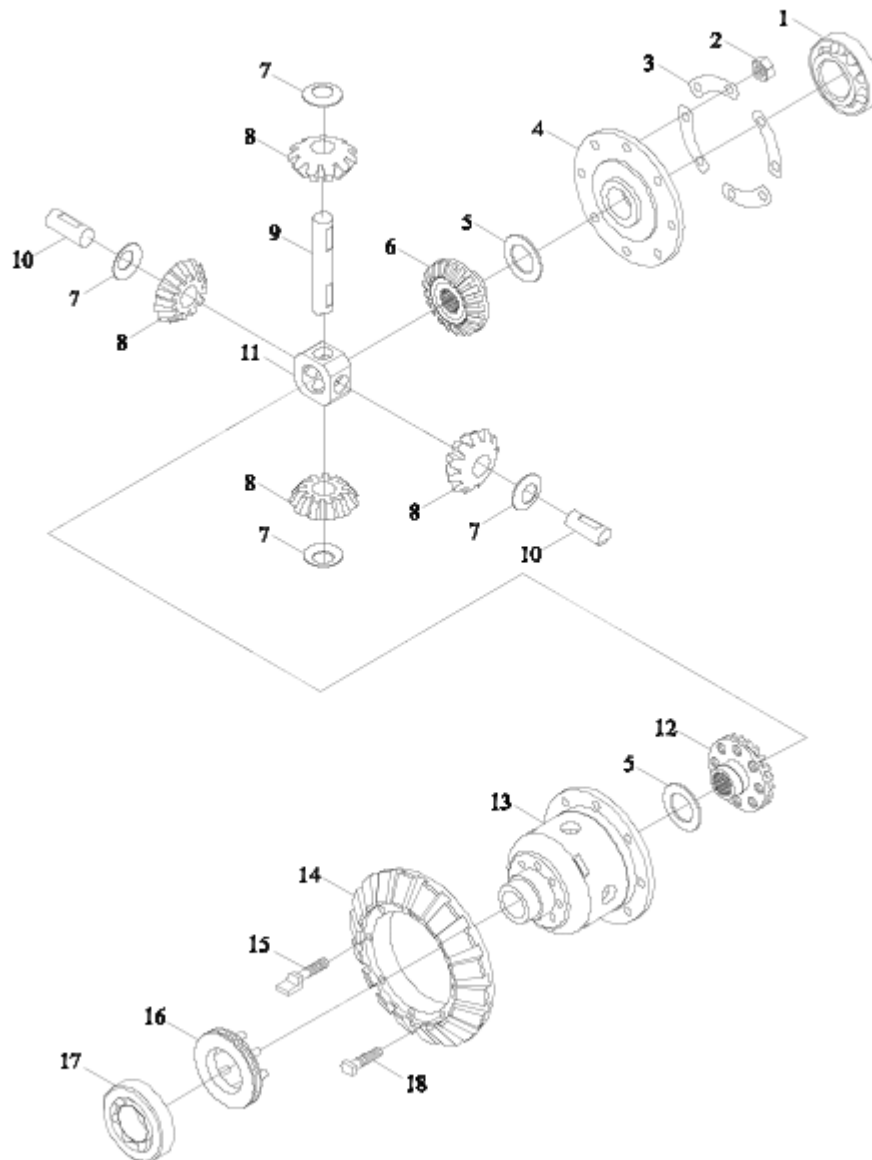
TB504. 382 REAR AXLE CENTRAL TRANSMISSION ASSEMBLY-1



TB504. 382 REAR AXLE CENTRAL TRANSMISSION ASSEMBLY-1

| No. | Part No. | Description | Version | QTY. | Remark |
|-----|------------------------|---|---------|------|--------|
| | TB504.382 | REAR AXLE CENTRAL TRANSMISSION ASSEMBLY | | 1 | |
| 1 | TB450.38J-05 | SMALL TAPER GEAR SHAFT | | 1 | |
| 2 | GBT283-NUP2210E | BEARING | | 1 | |
| 3 | GBT894.1-50 | RETAINER RING | | 1 | |
| 4 | GBT894.1-48 | RETAINER RING | | 1 | |
| 5 | FT404.38G.116 | FRONT DRIVE OUTPUT GEAR | | 1 | |
| 6 | GBT297-32208 | BEARING | | 2 | |
| 7 | FT300.38.118 | TAPER GEAR SHAFT ADJUSTING GASKET | | 999 | |
| 8 | FT300.38.119 | TAPER GEAR SHAFT ADJUSTING GASKET | | 999 | |
| 9 | FT300.38.120 | TAPER GEAR SHAFT ADJUSTING GASKET | | 999 | |
| 10 | FT300.38.117 | BEARING SEAT | | 1 | |
| 11 | GBT93-10-A0P | WASHER | | 16 | |
| 12 | GBT5783-M10X30-8.8-A3L | BOLT | | 4 | |
| 13 | GBT812-M39X1.5 | NUT | | 2 | |
| 14 | GBT858-39 | WASHER | | 1 | |
| 15 | FT300.38.177 | RIGHT DIFFERENTIAL BEARING SEAT | | 1 | |
| 16 | FT300.38.151 | ADJUSTING NUT | | 2 | |
| 17 | FT300.38.142 | LEFT DIFFERENTIAL BEARING SEAT | | 1 | |
| 18 | GBT5783-M10X25-8.8-A3L | BOLT | | 12 | |
| 19 | FT300.38.161 | LOCK WASHER | | 2 | |
| 20 | GBT93-8-A0P | WASHER | | 4 | |
| 21 | TB554.382-01 | BOLT | | 4 | |

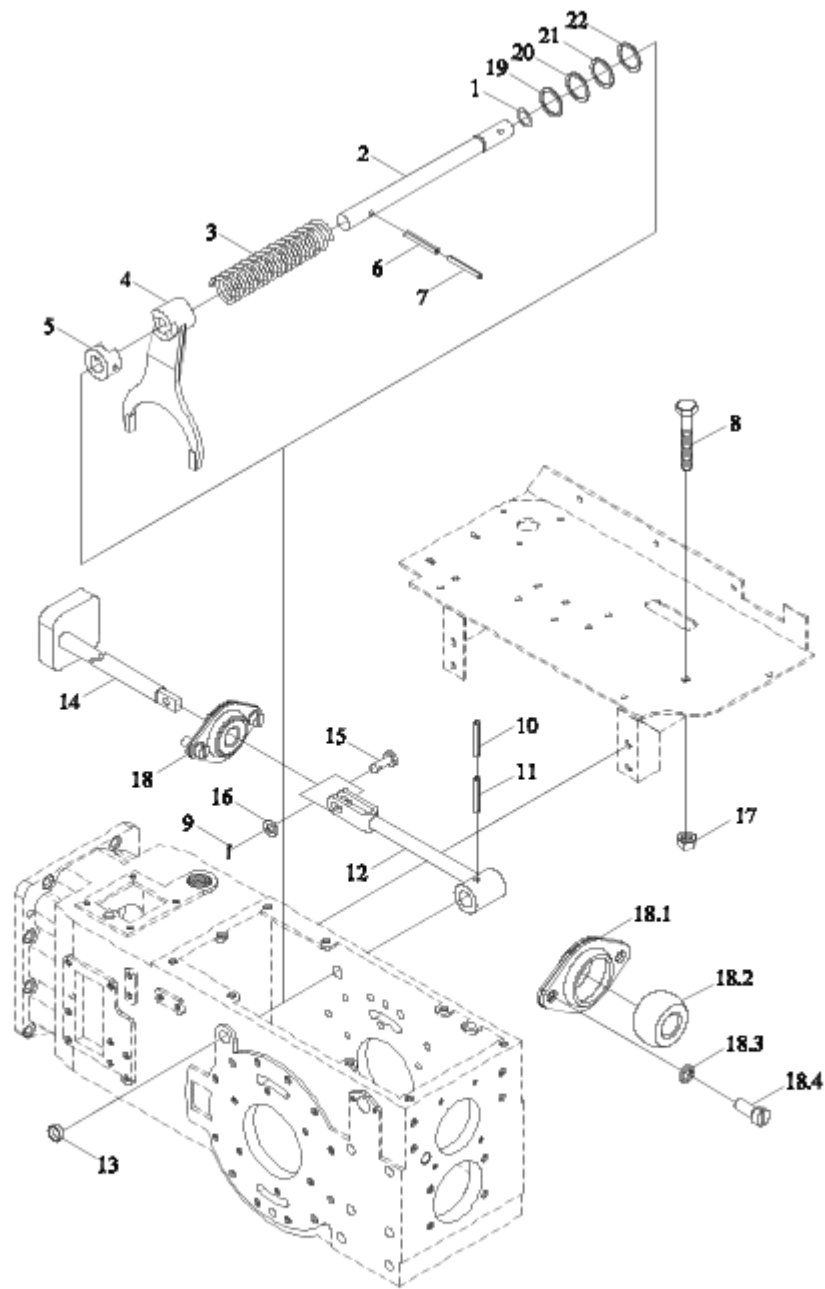
TB504. 382 REAR AXLE CENTRAL TRANSMISSION ASSEMBLY-2



TB504. 382 REAR AXLE CENTRAL TRANSMISSION ASSEMBLY-2

| No. | Part No. | Description | Version | QTY. | Remark |
|-----|-------------------|----------------------------------|---------|------|--------|
| | FT300.38.012 | DIFFERENTIAL ASSEMBLY | | 1 | |
| 1 | GBT297-32013 | BEARING | | 1 | |
| 2 | GBT6170-M12-8-A3L | NUT | | 8 | |
| 3 | FT300.38.152 | LOCKING WASHER | | 4 | |
| 4 | FT300.38.181 | DIFFERENTIAL COVER | | 1 | |
| 5 | FT300.38.147 | HALF SHAFT GEAR WASHER | | 2 | |
| 6 | FT300.38.144 | RIGHT HALF SHAFT GEAR | | 1 | |
| 7 | FT300.38.148 | PLANET GEAR WASHER | | 4 | |
| 8 | FT300.38.145 | PLANET GEAR | | 4 | |
| 9 | FT300.38.182 | LONG PLANETARY GEAR SHAFT | | 1 | |
| 10 | FT300.38.183 | SHORT PLANETARY GEAR SHAFT | | 2 | |
| 11 | FT300.38.184 | CENTRAL RING | | 1 | |
| 12 | FT300.38.143 | LEFT HALF SHAFT GEAR | | 1 | |
| 13 | FT300.38.180 | DIFFERENTIAL HOUSING | | 1 | |
| 14 | FT300.38.141 | BIG TAPER GEAR | | 1 | |
| 15 | FT300.38.185 | PLANET GEAR SHAFT THRUST BOLT | | 4 | |
| 16 | FT300.38.019 | DIFFERENTIAL LOCK ASSEMBLY | | 1 | |
| 17 | GBT297-30211 | BEARING | | 1 | |
| 18 | FT300.38.186 | FIXING BOLT | | 4 | |

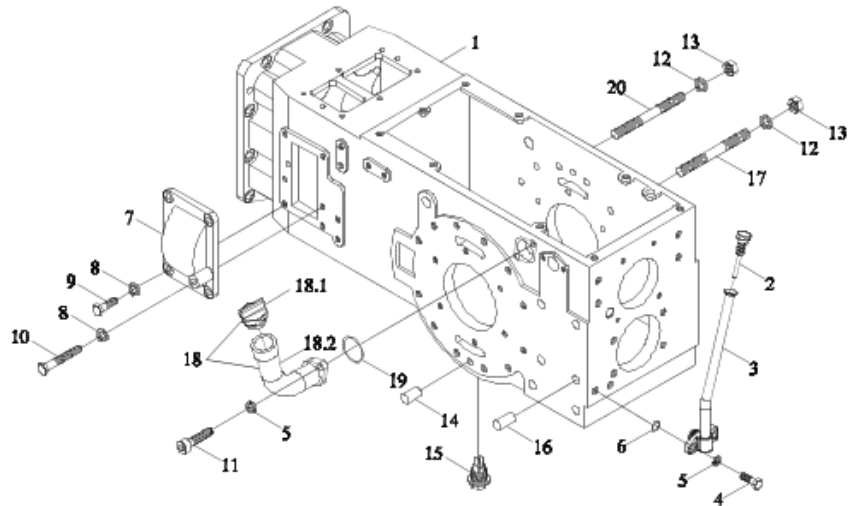
TS0438301000 DIFFERENTIAL LOCK CONTROL MECHANISM ASSEMBLY



TS04383010000 DIFFERENTIAL LOCK CONTROL MECHANISM ASSEMBLY

| No. | Part No. | Description | Version | QTY. | Remark |
|------|-----------------------|--|---------|------|--------|
| | TS04383010000 | DIFFERENTIAL LOCK CONTROL MECHANISM ASSEMBLY | | 1 | |
| 1 | GBT3452.1-15.0X2.65G | RUBBER O-SEAL RING | | 1 | |
| 2 | FT300.38.158a | DIFFERENTIAL LOCK FORK SHAFT | | 1 | |
| 3 | FT300.38.160 | DIFFERENTIAL LOCK RETURN SPRING | | 1 | |
| 4 | FT300.38.159a | DIFFERENTIAL LOCK FORK | | 1 | |
| 5 | FT300.38.190 | DIFFERENTIAL LOCK DIAL BLOCK | | 1 | |
| 6 | GBT879.1-6X40 | SPRING COLUMN PIN | | 1 | |
| 7 | GBT879.2-3.5X40 | SPRING COLUMN PIN | | 1 | |
| 8 | GBT5781-M8X40-4.8-A2L | HEXAGON BOLT | | 1 | |
| 9 | GBT91-2X14-A0P | SPLIT PIN | | 1 | |
| 10 | GBT879.1-6X35 | SPRING COLUMN PIN | | 1 | |
| 11 | GBT879.2-3.5X35 | SPRING COLUMN PIN | | 1 | |
| 12 | TS04383010003 | ROCKER WELDMENT | | 1 | |
| 13 | Q72220 | PLUG PIECE | | 1 | |
| 14 | TS04383010001 | DIFFERENTIAL LOCK PEDAL | | 1 | |
| 15 | GBT882-B6X28 | PIN SHAFT | | 1 | |
| 16 | GBT97.1-6-A0P | FLAT WASHER | | 1 | |
| 17 | GBT6170-M8-8-A2L | HEXAGON NUT, TYPE-1 | | 1 | |
| 18 | TG1204.435.4 | SEAL LINER SEAT ASSEMBLY | | 1 | |
| 18.1 | TG1204.435.2-01 | SPHERICAL SHAFT LINING SEAT | | 1 | |
| 18.2 | TG1204.435.2-02 | SPHERICAL SHAFT LINING | | 1 | |
| 18.3 | GBT93-6 | STANDARD SPRING WASHER | | 1 | |
| 18.4 | GBT818-M6X14-4.8-A2L | CROSS SCREW | | 1 | |
| 19 | TB554.383-05 | WASHER | | 999 | |
| 20 | TB554.383-06 | WASHER | | 999 | |
| 21 | TB554.383-07 | WASHER | | 999 | |
| 22 | TB554.383-08 | WASHER | | 999 | |

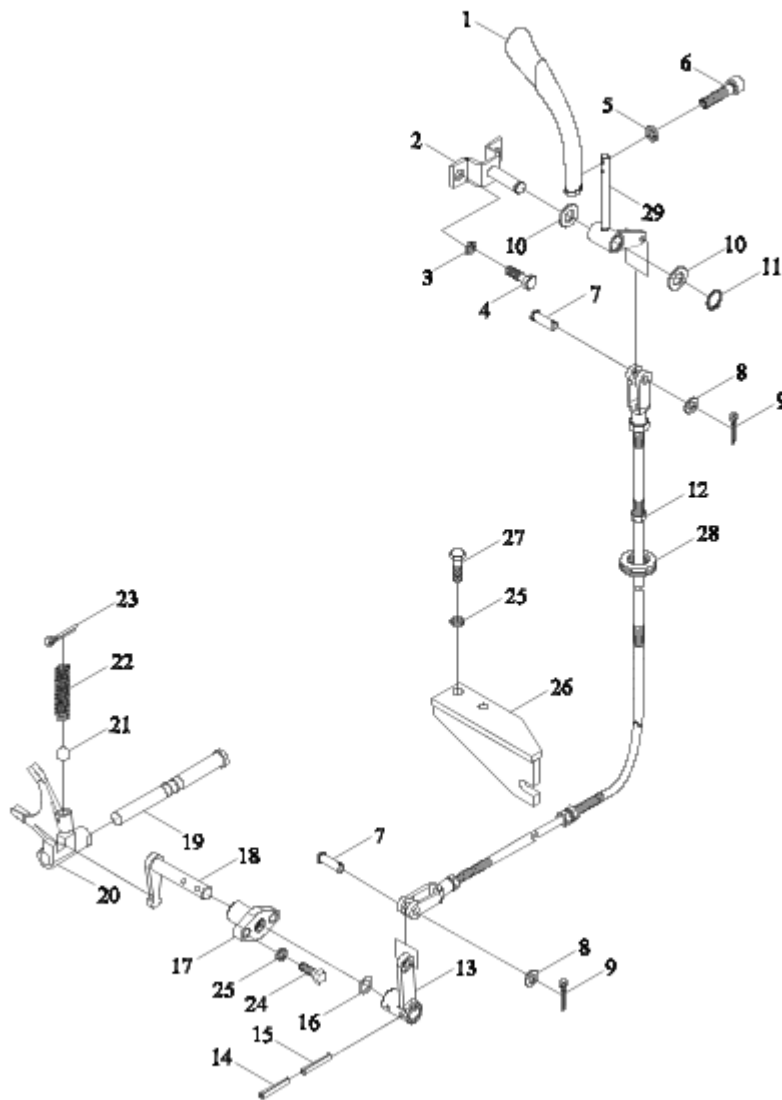
TC02384010000K REAR AXLE HOUSING ASSEMBLY



TC02384010000K REAR AXLE HOUSING ASSEMBLY

| No. | Part No. | Description | Version | QTY. | Remark |
|------|-----------------------------------|-------------------------------|---------|------|--------|
| | TC02384010000K | REAR AXLE HOUSING ASSEMBLY | | 1 | |
| 1 | TB604.384-01 | REAR AXLE HOUSING | | 1 | |
| 2 | TB604.384.4 | DIPSTICK ASSEMBLY | | 1 | |
| 3 | TC02384010001K | OIL DIPSTICK PIPE WELDMENT | | 1 | |
| 4 | GBT5783-M8X20-8.8-A2L | HEXAGON BOLT | | 2 | |
| 5 | GBT93-8-A0P | STANDARD SPRING WASHER | | 2 | |
| 6 | GBT3452.1-15.0X2.65G | RUBBER O-SEAL RING | | 1 | |
| 7 | FT300.38J.206 | REVERSE SIDE COVER | | 1 | |
| 8 | GBT93-10-A0P | STANDARD SPRING WASHER | | 9 | |
| 9 | GBT5783-M10X25-8.8-A3L | HEXAGON BOLT | | 5 | |
| 10 | GBT5782-M10X60-8.8-A2L | HEXAGON BOLT | | 1 | |
| 11 | GBT70.1-M8X20-8.8 | INNER HEXAGON SCREW | | 2 | |
| 12 | GBT93-12-A0P | STANDARD SPRING WASHER | | 24 | |
| 13 | GBT6171-M12X1.25-10-A2L | HEXAGON NUT, TYPE-1 | | 24 | |
| 14 | GBT119.1-12m6X28-A0P | COLUMN PIN | | 2 | |
| 15 | FT65.38.026 | OIL PLUG ASSEMBLY | | 1 | |
| 16 | TB554.384-02 | PIN | | 4 | |
| 17 | GB899-AM12-M12X1.25X150-10.9-A 2L | DOUBLE END STUDS | | 22 | |
| 18 | TB604.384.3 | FILLING CAP ASSEMBLY | | 1 | |
| 18.1 | TB604.384.3.1 | FILLING CAP WELDMENT ASSEMBLY | | 1 | |
| 18.2 | TB604.384.3.2 | PLUG SCREW | | 1 | |
| 19 | GBT3452.1-32.5X1.80G | RUBBER O-SEAL RING | | 1 | |
| 20 | GB899-AM12-M12X1.25X160-10.9-A 2L | DOUBLE END STUDS | | 2 | |

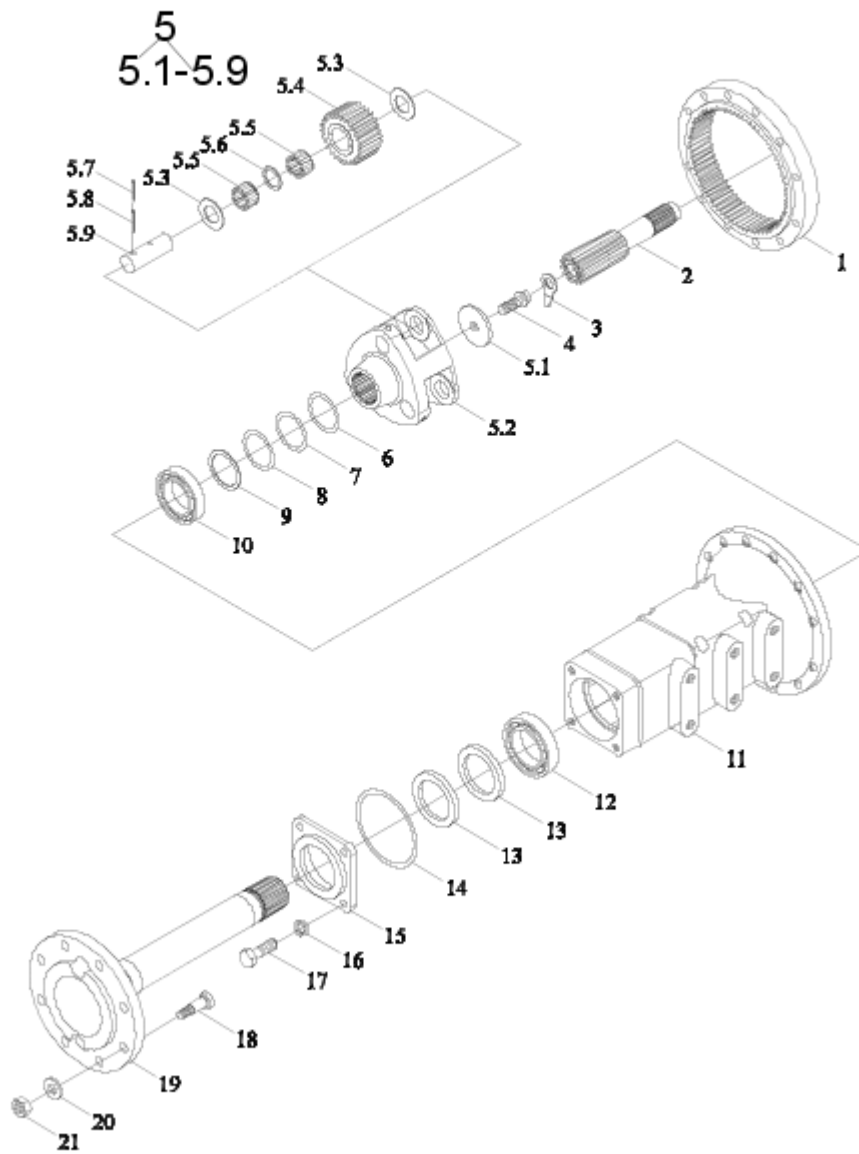
TS04385010000 SHUTTLE SHIFT CONTROL MECHANISM



TS04385010000 SHUTTLE SHIFT CONTROL MECHANISM

| No. | Part No. | Description | Version | QTY. | Remark |
|-----|------------------------|---------------------------------|---------|------|--------|
| | TS04385010000 | SHUTTLE SHIFT CONTROL MECHANISM | | 1 | |
| 1 | TS04385010008 | CONTROL HANDLE | | 1 | |
| 2 | TS04385010003 | BRACKET WELDMENT | | 1 | |
| 3 | GBT93-8-A0P | STANDARD SPRING WASHER | | 2 | |
| 4 | GBT5783-M8X20-8.8-A2L | HEXAGON BOLT | | 2 | |
| 5 | GBT93-6-A0P | STANDARD SPRING WASHER | | 2 | |
| 6 | GBT70.1-M6X20-10.9-A3L | INNER HEXAGON SCREW | | 2 | |
| 7 | TG1654.373B.1-01 | PIN SHAFT | | 2 | |
| 8 | GBT97.1-8-A0P | FLAT WASHER | | 2 | |
| 9 | GBT91-3.2X20-A0P | SPLIT PIN | | 2 | |
| 10 | TD950.373.2-02 | BUSH | | 2 | |
| 11 | GBT894.2-20 | CIRCLIP FOR SHAFT | | 1 | |
| 12 | TB604.385.3 | SOFT SHAFT WELD | | 1 | |
| 13 | TB604.385-02 | ROCKER ARM | | 1 | |
| 14 | GBT879.1-3.5X28 | SPRING COLUMN PIN | | 2 | |
| 15 | GBT879.1-6X28 | SPRING COLUMN PIN | | 2 | |
| 16 | GBT3452.1-16.0X2.65G | RUBBER O-SEAL RING | | 1 | |
| 17 | TB554.385A-01 | LEVER SHAFT SLEEVE | | 1 | |
| 18 | TB554.385-01 | ROCKER | | 1 | |
| 19 | FT300.38J.203 | REVERSE FORK SHAFT | | 1 | |
| 20 | FT300.38J.218 | REVERSE GEAR FORK | | 1 | |
| 21 | GBT308-9.5-G100-b | STEEL BALL | | 1 | |
| 22 | FT704.42B.163 | FORK SHAFT LOCATING SPRING | | 1 | |
| 23 | GBT91-4X32-A0P | SPLIT PIN | | 1 | |
| 24 | TB400.385-09 | BOLT | | 2 | |
| 25 | GBT93-10-A0P | STANDARD SPRING WASHER | | 4 | |
| 26 | TB604.385.2 | SUPPORT PLATE WELDMENT | | 1 | |
| 27 | GBT5783-M10X25-8.8-A3L | HEXAGON BOLT | | 2 | |
| 28 | FT800A.48L.101 | RUBBER RING-1 | | 1 | |
| 29 | TS04385010005 | CONTROL ROD WELDMENT | | 1 | |

TB450. 391 LEFT FINAL TRANSMISSION ASSEMBLY



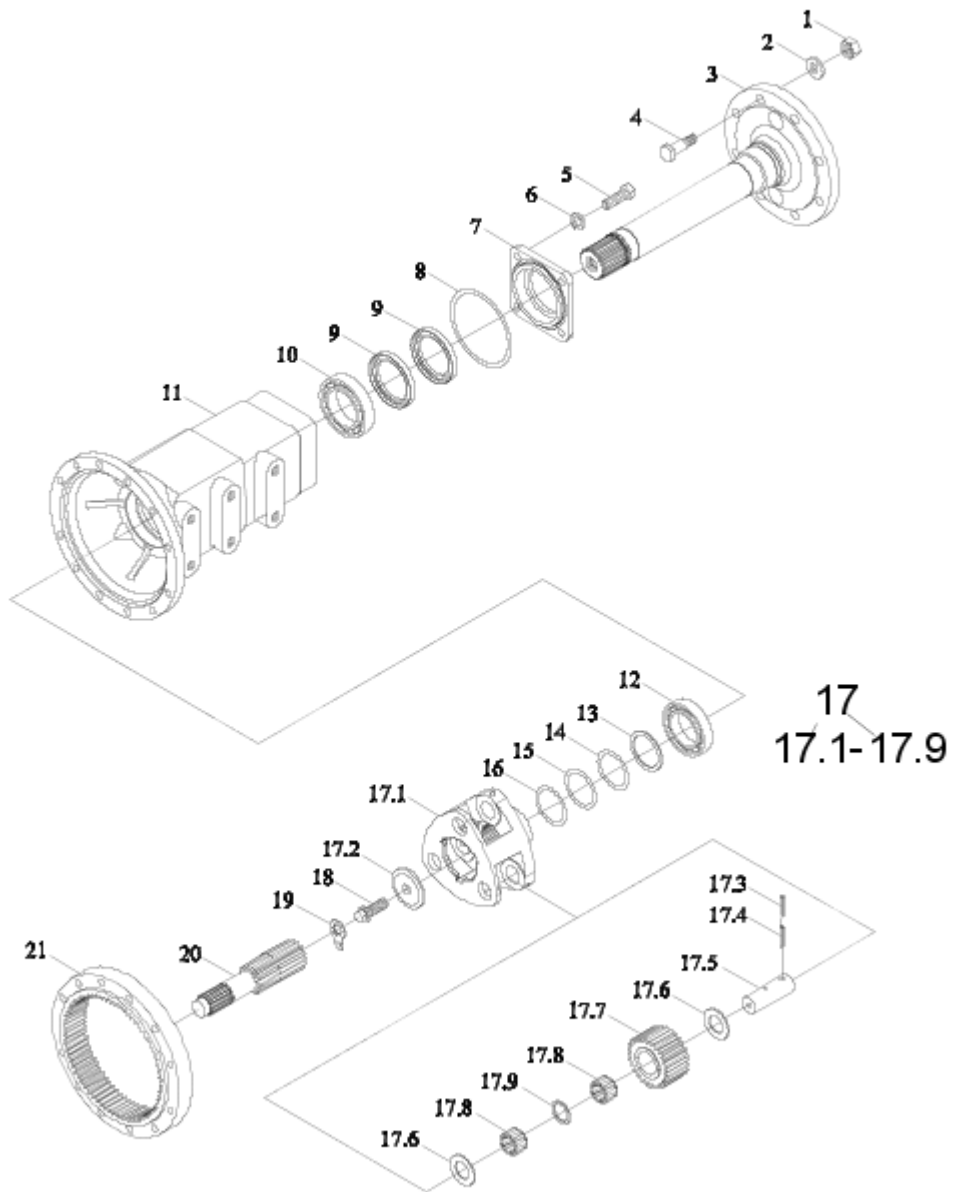
TB450. 391 LEFT FINAL TRANSMISSION ASSEMBLY

| No. | Part No. | Description | Ver- sion | QTY. | Remark |
|-----|-----------------------|--|--------------|------|--------|
| | TB450.391 | LEFT FINAL TRANSMIS- SION ASSEMBLY | | 1 | |
| 1 | TB450.391-02 | FINAL TRANSMISSION GEAR RING | | 1 | |
| 2 | TB450.391-01 | LEFT FINAL TRANSMIS- SION HALF SHAFT | | 1 | |
| 3 | FT300.39.110 | DRIVING SHAFT LOCK PIECE | | 1 | |
| 4 | FT300.39.112 | DRIVING SHAFT LOCK BOLT | | 1 | |
| 5 | TB450.391.1 | FINAL TRANSMISSION PLANET BRACKET ASSEMBLY | | 1 | |
| 5.1 | FT300.39.111 | RETAINER BLOCK | | 1 | |
| 5.2 | FT300.39.104 | PLANET CARRIER | | 1 | |
| 5.3 | FT300.39.109 | NEEDLE OUTER SPACER RING | | 6 | |
| 5.4 | TB450.391.1-01 | FINAL TRANSMISSION PLANET GEAR | | 3 | |
| 5.5 | GBT309-P5X23.8-G2 | NEEDLE | | 132 | |
| 5.6 | FT300.39.105 | NEEDLE INNER SPACER RING | | 3 | |
| 5.7 | GBT879.1-5X26 | SPRING COLUMN PIN | | 3 | |
| 5.8 | QLWZB140-8X26 | PIN | | 3 | |
| 5.9 | FT300.39.106 | PLANET GEAR SHAFT | | 3 | |
| 6 | FT300.39.121 | ADJUSTING WASHER | | 999 | |
| 7 | FT300.39.122 | ADJUSTING WASHER | | 999 | |
| 8 | FT300.39.123 | ADJUSTING WASHER | | 999 | |
| 9 | FT300.39.113 | SPACER BUSH | | 1 | |
| 10 | GBT276-6211 | DEEP GROOVE BALL BEARING | | 1 | |
| 11 | FT300.39.115 | LEFT DRIVING SHAFT HOUSING | | 1 | |
| 12 | GBT276-6212 | DEEP GROOVE BALL BEARING | | 1 | |
| 13 | GBT9877.1-FB70X95X10D | SEAL RING | | 2 | |
| 14 | GBT3452.1-115X3.55G | O-RING | | 1 | |
| 15 | FT300.39.116 | OIL SEAL SEAT | | 1 | |
| 16 | GBT93-12-A0P | STANDARD SPRING WASHER | | 4 | |

TB450. 391 LEFT FINAL TRANSMISSION ASSEMBLY (cont'd.)

| No. | Part No. | Description | Version | QTY. | Remark |
|-----|---------------------------|---------------------|---------|------|--------|
| 17 | GBT5783-M12X30-8.8-A3L | HEXAGON BOLT | | 4 | |
| 18 | FT300.39.136 | REAR HUB BOLT LEFT | | 8 | |
| 19 | FT300.39.118 | DRIVING SHAFT | | 1 | |
| 20 | FT300.39.137 | WASHER | | 8 | |
| 21 | GBT6176-M16X1.5-LH-10-A3L | HEXAGON NUT, TYPE-2 | | 8 | |

TB450. 392 RIGHT FINAL TRANSMISSION ASSEMBLY



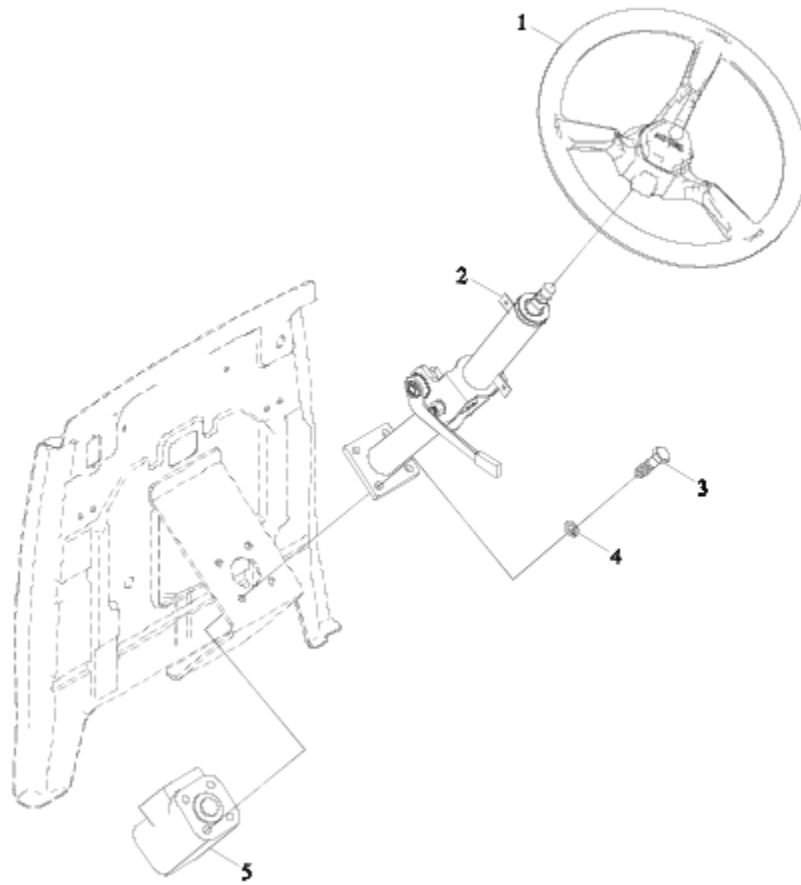
TB450. 392 RIGHT FINAL TRANSMISSION ASSEMBLY

| No. | Part No. | Description | Version | QTY. | Remark |
|------|------------------------|--|---------|------|--------|
| | TB450.392 | RIGHT FINAL TRANSMISSION ASSEMBLY | | 1 | |
| 1 | GBT6176-M16X1.5-10-A3L | HEXAGON NUT, TYPE-2 | | 8 | |
| 2 | FT300.39.137 | WASHER | | 8 | |
| 3 | FT300.39.118 | DRIVING SHAFT | | 1 | |
| 4 | FT300.39.135 | REAR HUB BOLT | | 8 | |
| 5 | GBT5783-M12X30-8.8-A3L | HEXAGON BOLT | | 4 | |
| 6 | GBT93-12-A0P | STANDARD SPRING WASHER | | 4 | |
| 7 | FT300.39.116 | OIL SEAL SEAT | | 1 | |
| 8 | GBT3452.1-115X3.55G | O-RING | | 1 | |
| 9 | GBT9877.1-FB70X95X10D | SEAL RING | | 2 | |
| 10 | GBT276-6212 | DEEP GROOVE BALL BEARING | | 1 | |
| 11 | FT300.39.114 | RIGHT DRIVING SHAFT HOUSING | | 1 | |
| 12 | GBT276-6211 | DEEP GROOVE BALL BEARING | | 1 | |
| 13 | FT300.39.113 | SPACER BUSH | | 1 | |
| 14 | FT300.39.121 | ADJUSTING WASHER | | 999 | |
| 15 | FT300.39.122 | ADJUSTING WASHER | | 999 | |
| 16 | FT300.39.123 | ADJUSTING WASHER | | 999 | |
| 17 | TB450.391.1 | FINAL TRANSMISSION PLANET BRACKET ASSEMBLY | | 1 | |
| 17.1 | FT300.39.104 | PLANET CARRIER | | 1 | |
| 17.2 | FT300.39.111 | RETAINER BLOCK | | 1 | |
| 17.3 | GBT879.1-5X26 | SPRING COLUMN PIN | | 3 | |
| 17.4 | QLWZB140-8X26 | SPRING COLUMN PIN | | 3 | |
| 17.5 | FT300.39.106 | PLANET GEAR SHAFT | | 3 | |
| 17.6 | FT300.39.109 | NEEDLE OUTER SPACER RING | | 6 | |
| 17.7 | TB450.391.1-01 | FINAL TRANSMISSION PLANET GEAR | | 3 | |
| 17.8 | GBT309-P5X23.8-G2 | NEEDLE | | 132 | |
| 17.9 | FT300.39.105 | NEEDLE INNER SPACER RING | | 3 | |
| 18 | FT300.39.112 | DRIVING SHAFT LOCK BOLT | | 1 | |

TB450. 392 RIGHT FINAL TRANSMISSION ASSEMBLY (cont'd.)

| No. | Part No. | Description | Version | QTY. | Remark |
|-----|--------------|--|---------|------|--------|
| 19 | FT300.39.110 | DRIVING SHAFT LOCK PIECE | | 1 | |
| 20 | TB450.392-01 | RIGHT FINAL TRANSMIS- SION HALF SHAFT | | 1 | |
| 21 | TB450.391-02 | FINAL TRANSMISSION GEAR RING | | 1 | |

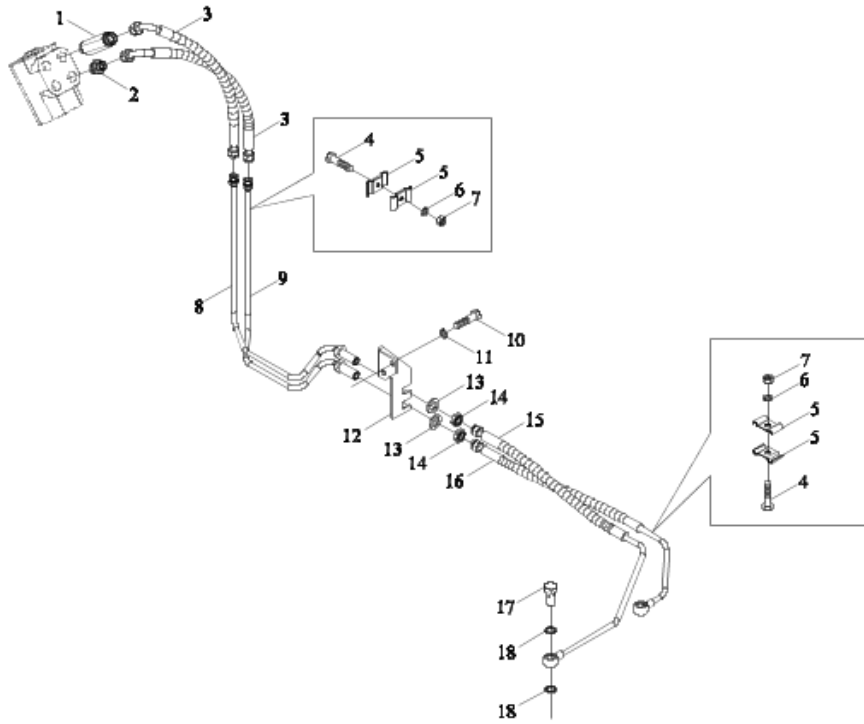
TC0440108000 REDIRECTOR OR STEERING COLUMN ASSEMBLY



TC0440108000 REDIRECTOR OR STEERING COLUMN ASSEMBLY

| No. | Part No. | Description | Version | QTY. | Remark |
|-----|------------------------|--|---------|------|--------|
| | TC0440108000 | REDIRECTOR OR STEERING COLUMN ASSEMBLY | | 1 | |
| 1 | TS04401010001 | STEERING WHEEL ASSEMBLY | | 1 | |
| 2 | TS04401010002 | STEERING PIPE COLUMN ASSEMBLY | | 1 | |
| 3 | GBT5783-M10X30-8.8-A3L | HEXAGON BOLT | | 4 | |
| 4 | GBT93-10-A0P | STANDARD SPRING WASHER | | 4 | |
| 5 | TC04400010009 | HYDRAULIC STEERING MECHANISM ASSEMBLY | | 1 | |

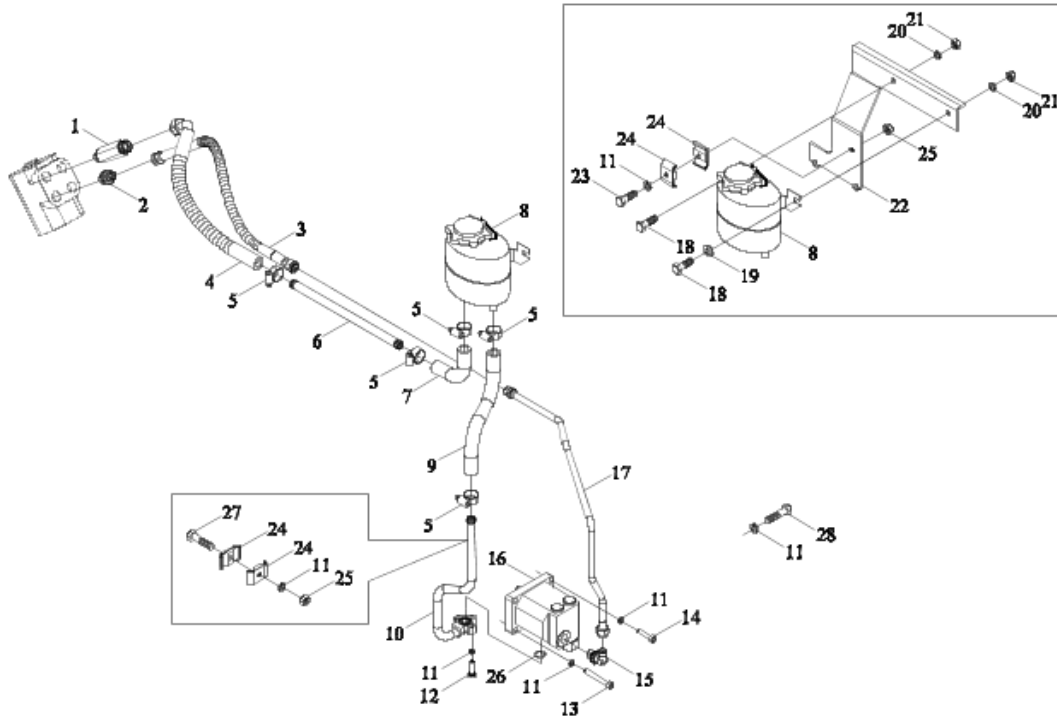
TC02402210000K FULL HYDRAULIC STEERING PIPE ASSEMBLY-1



TC02402210000K FULL HYDRAULIC STEERING PIPE ASSEMBLY-1

| No. | Part No. | Description | Version | QTY. | Remark |
|-----|------------------------|--|---------|------|--------|
| | TC02402210000K | FULLHYDRAULICSTEERINGPIPEASSEMBLY | | 1 | |
| 1 | TC04402080010 | END STRAIGHT THREAD CONNECTOR BODY L12 | | 1 | |
| 2 | GE20D18.24.93.5 | END STRAIGHT THREAD CONNECTOR BODY | | 1 | |
| 3 | TC02402200006K | OIL OUTLET PIPE ASSEMBLY | | 2 | |
| 4 | GBT5783-M8X20-8.8-A2L | HEXAGON BOLT | | 2 | |
| 5 | TC02402200018K | OIL PIPE CLAMP | | 4 | |
| 6 | GBT93-8-A0P | STANDARD SPRING WASHER | | 2 | |
| 7 | GBT6170-M8-8-A2L | HEXAGON NUT, TYPE-1 | | 2 | |
| 8 | TC02402200007K | LEFT STEERING STEEL PIPE WELDMENT | | 1 | |
| 9 | TC02402200009K | RIGHT STEERING STEEL PIPE WELDMENT | | 1 | |
| 10 | GBT5783-M10X16-8.8-A3L | HEXAGON BOLT | | 2 | |
| 11 | GBT93-10-A0P | STANDARD SPRING WASHER | | 2 | |
| 12 | TC02402210001K | OIL PIPE BRACKET | | 1 | |
| 13 | GBT97.1-16-A0P | FLAT WASHER | | 2 | |
| 14 | GBT6173-M16X1.5-05-A3L | HEXAGON THIN NUT | | 2 | |
| 15 | TC02402200012K | RIGHT RUBBER HOSE | | 1 | |
| 16 | TC02402200013K | LEFT RUBBER HOSE | | 1 | |
| 17 | FT650.40.112 | HOLLOW BOLT | | 2 | |
| 18 | JBT982-16 | COMBINED SEAL GASKET | | 4 | |

TC02402210000K FULL HYDRAULIC STEERING PIPE ASSEMBLY-2



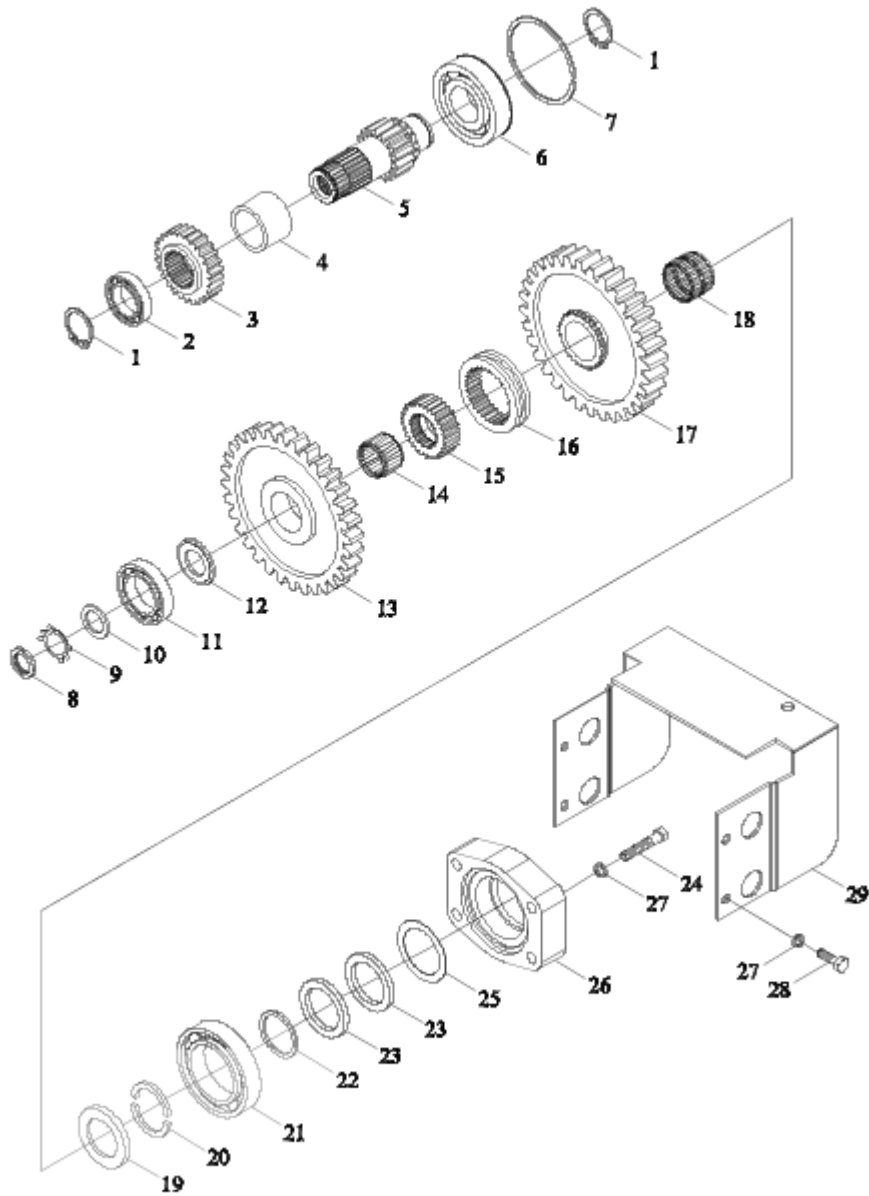
TC02402210000K FULL HYDRAULIC STEERING PIPE ASSEMBLY-2

| No. | Part No. | Description | Version | QTY. | Remark |
|-----|------------------------|--|---------|------|--------|
| | TC02402210000K | FULLHYDRAULICSTEERINGPIPEASSEMBLY | | 1 | |
| 1 | TC04402080012 | END STRAIGHT THREAD CONNECTOR BODY L16 | | 1 | |
| 2 | GE20D18.24.93.5 | END STRAIGHT THREAD CONNECTOR BODY | | 1 | |
| 3 | TC02402200001K | HIGH PRESSURE HOSE ASSEMBLY | | 1 | |
| 4 | TC02402200029K | REDIRECTOR OIL RETURN PIPE ASSEMBLY | | 1 | |
| 5 | Q67627 | B-TYPE WORM TRANSMISSION HOSE CLAMP | | 5 | |
| 6 | TC02402200028K | OIL RETURN STEEL PIPE | | 1 | |
| 7 | TC02402200025K | OIL RETURN RUBBER HOSE | | 1 | |
| 8 | TS04402010019 | STEERING OIL TANK AND BREATH ASSEMBLY | | 1 | |
| 9 | TC02402200024K | OIL SUCTION RUBBER HOSE D16 | | 1 | |
| 10 | TC02402200002K | OIL PUMP OUTLET STEEL PIPE WELDMENT | | 1 | |
| 11 | GBT93-8-A0P | STANDARD SPRING WASHER | | 10 | |
| 12 | GBT5783-M8X30-8.8-A2L | HEXAGON BOLT | | 3 | |
| 13 | GBT70.1-M8X65-8.8 | INNER HEXAGON SCREW | | 2 | |
| 14 | GBT70.1-M8X35-8.8-A2L | INNER HEXAGON SCREW | | 2 | |
| 15 | TC04400020003 | ADJUSTABLE JOINT | | 1 | |
| 16 | TC02402350001K | PERMANENT OVERFLOW PUMP | | 1 | |
| 17 | TC02402200004K | ABSORB OIL PIPE WELDMENT OF OIL PUMP | | 1 | |
| 18 | GBT5783-M10X25-8.8-A3L | HEXAGON BOLT | | 2 | |
| 19 | GBT97.1-10-A0P | FLAT WASHER | | 1 | |
| 20 | GBT93-10-A0P | STANDARD SPRING WASHER | | 2 | |
| 21 | GBT6170-M10-8-A3L | HEXAGON NUT, TYPE-1 | | 2 | |
| 22 | TC02402200020K | BRACKET WELDMENT | | 1 | |
| 23 | GBT5783-M8X40-8.8-A2L | HEXAGON BOLT | | 1 | |
| 24 | TC02402200015K | OIL PIPE CLAMP AND RUBBER WASHER 16-12 | | 4 | |

TC02402210000K FULL HYDRAULIC STEERING PIPE ASSEMBLY-2 (cont'd.)

| No. | Part No. | Description | Version | QTY. | Remark |
|-----|-----------------------|---------------------|---------|------|--------|
| 25 | GBT6170-M8-8-A2L | HEXAGON NUT, TYPE-1 | | 1 | |
| 26 | GBT3452.1-17.0X2.65G | RUBBER O-SEAL RING | | 1 | |
| 27 | GBT5783-M8X35-8.8-A2L | HEXAGON BOLT | | 1 | |
| 28 | GBT5783-M8X16-8.8-A2L | HEXAGON BOLT | | 1 | |

TC02411010000K PTO GEAR ASSEMBLY



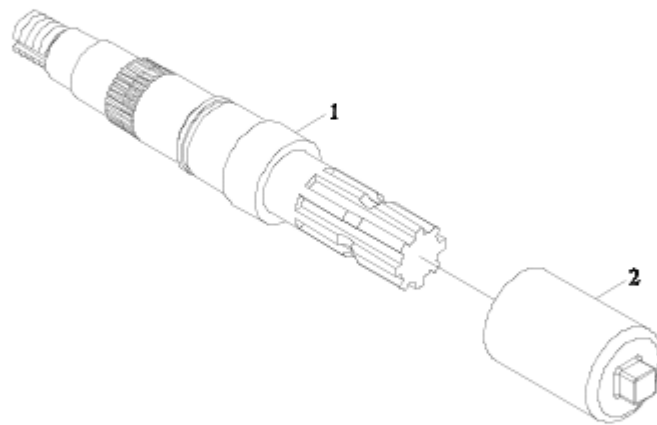
TC02411010000K PTO GEAR ASSEMBLY

| No. | Part No. | Description | Version | QTY. | Remark |
|-----|------------------------|----------------------------------|---------|------|--------|
| | TC02411010000K | PTO GEAR ASSEMBLY | | 1 | |
| 1 | GBT894.1-40 | CIRCLIP FOR SHAFT | | 2 | |
| 2 | GBT276-6208 | DEEP GROOVE BALL BEARING | | 1 | |
| 3 | FT300.41E.120 | PTO HIGH GEAR DRIVING GEAR | | 1 | |
| 4 | FT300.41E.121 | SPACER BUSH | | 1 | |
| 5 | FT300.41E.106 | PTO LOW GEAR DRIVING GEAR | | 1 | |
| 6 | GBT276-6308N | DEEP GROOVE BALL BEARING | | 1 | |
| 7 | GBT305-90-96.5 | THRUST RING | | 1 | |
| 8 | GBT812-M25X1.5 | ROUND NUT | | 1 | |
| 9 | GBT858-25 | THRUST WASHER FOR ROUND NUT | | 1 | |
| 10 | FT300.41.122 | WASHER | | 1 | |
| 11 | GBT276-6306 | DEEP GROOVE BALL BEARING | | 1 | |
| 12 | FT300.41C.118 | OUTPUT SHAFT FRONT RETAINER RING | | 1 | |
| 13 | FT300.41E.105 | PTO DRIVEN SMALL GEAR | | 1 | |
| 14 | JBT7918-K35X40X27 | NEEDLE AND CARRIER COMBINATION | | 1 | |
| 15 | FT300.41C.117 | PTO MESHING SEAT | | 1 | |
| 16 | FT300.41C.116 | PTO SHIFT COLLAR | | 1 | |
| 17 | FT300.41E.103 | PTO DRIVEN BIG GEAR | | 1 | |
| 18 | QLWZB120-K40X46X34ZW | ROLLER NEEDLE BEARING | | 1 | |
| 19 | FT300.41E.114 | REAR RETAINER RING | | 1 | |
| 20 | FT300.41E.119 | THRUST RING | | 1 | |
| 21 | GBT276-6309 | DEEP GROOVE BALL BEARING | | 1 | |
| 22 | FT300.41E.113 | OUTPUT SHAFT BEARING WASHER | | 1 | |
| 23 | GBT9877.1-FB50X72X8D | SEAL RING | | 2 | |
| 24 | GBT5783-M12X25-8.8-A3L | HEXAGON BOLT | | 4 | |
| 25 | FT300.41E.115 | OIL SEAL RETAINER RING | | 1 | |
| 26 | FT300.41E.101 | REAR END COVER I | | 1 | |
| 27 | GBT93-12-A0P | STANDARD SPRING WASHER | | 8 | |

TC02411010000K PTO GEAR ASSEMBLY (cont'd.)

| No. | Part No. | Description | Version | QTY. | Remark |
|-----|------------------------|---------------------|---------|------|--------|
| 28 | GBT5782-M12X55-8.8-A3L | HEXAGON BOLT | | 4 | |
| 29 | TC02411010001K | PTO BONNET WELDMENT | | 1 | |

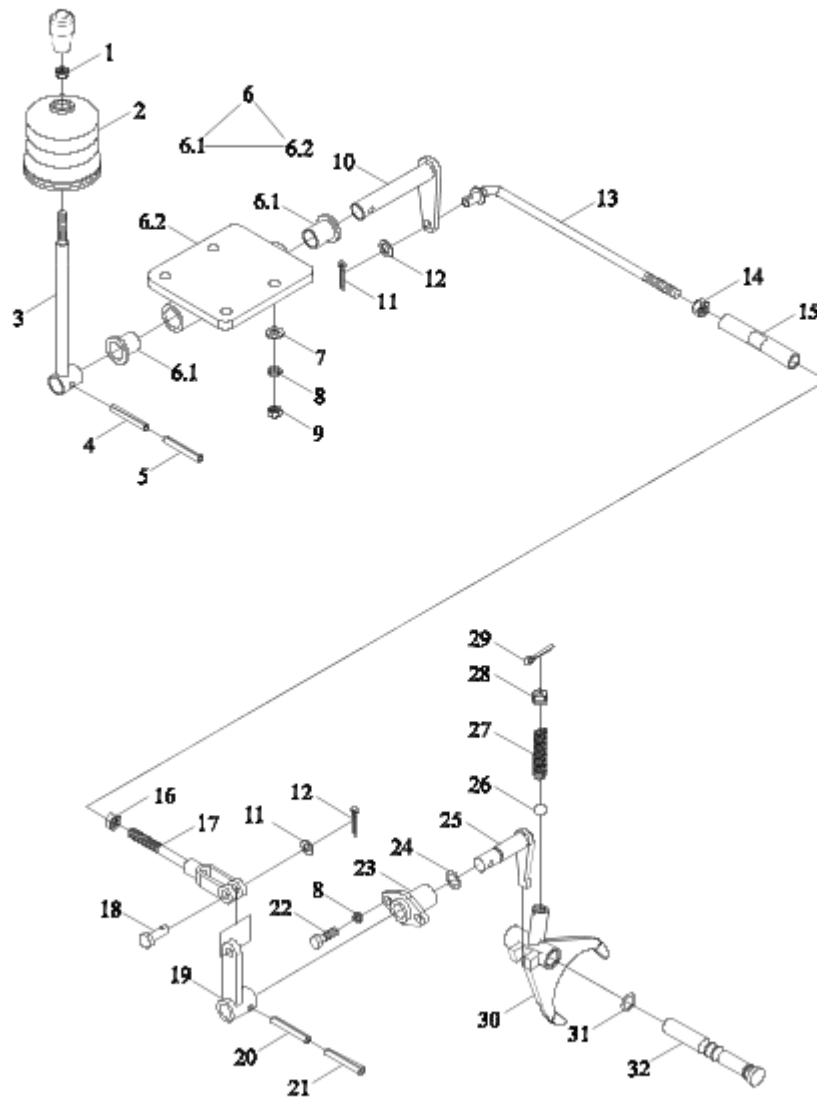
TB550. 412A PTO SHAFT ASSEMBLY



TB550. 412A PTO SHAFT ASSEMBLY

| No. | Part No. | Description | Ver- sion | QTY. | Remark |
|-----|---------------|-----------------------|--------------|------|--------|
| | TB550.412A | PTO SHAFT ASSEMBLY | | 1 | |
| 1 | TB550.412A-01 | TYPE-I 35 PTO SHAFT | | 1 | |
| 2 | TB550.412-02 | PTO SHAFT HOOD SHIELD | | 1 | |

TS04413010000 PTO CONTROL ASSEMBLY



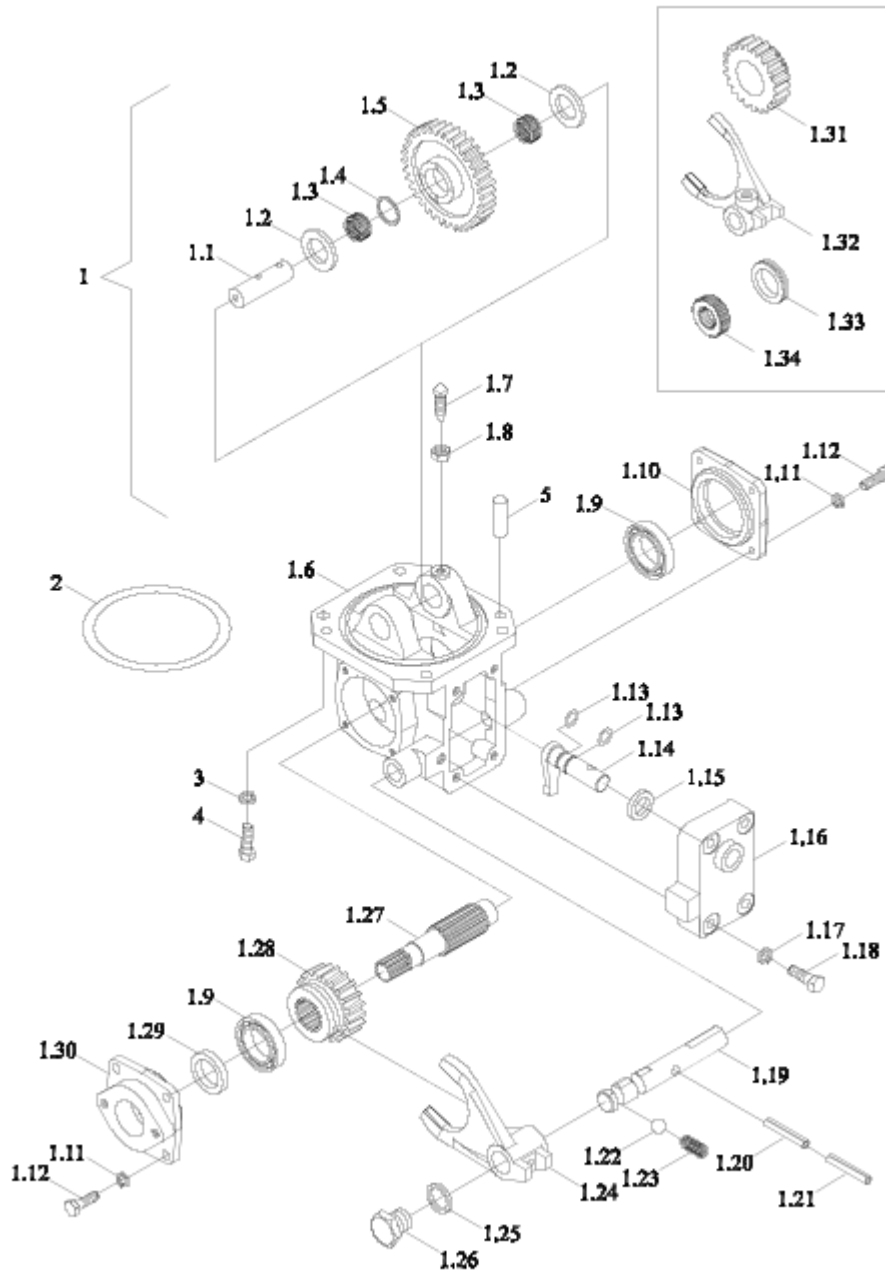
TS04413010000 PTO CONTROL ASSEMBLY

| No. | Part No. | Description | Version | QTY. | Remark |
|-----|------------------------|---------------------------------------|---------|------|--------|
| | TS04413010000 | PTO CONTROL ASSEMBLY | | 1 | |
| 1 | GBT6170-M10-8-A3L | HEXAGON NUT, TYPE-1 | | 1 | |
| 2 | TB704.413A-02 | DUSTPROOF RING | | 1 | |
| 3 | TB504.413A.2 | PTO GEARSHIFT CONTROL ROD WELDMENT | | 1 | |
| 4 | GBT879.1-6X32 | SPRING COLUMN PIN | | 1 | |
| 5 | GBT879.1-3.5X32 | SPRING COLUMN PIN | | 1 | |
| 6 | TS04413010003 | SUPPORT SEAT | | 1 | |
| 7 | GBT97.1-8-A0P | FLAT WASHER | | 4 | |
| 8 | GBT93-8-A0P | STANDARD SPRING WASHER | | 6 | |
| 9 | GBT6170-M8-8-A2L | HEXAGON NUT, TYPE-1 | | 4 | |
| 10 | TS04413010004 | CONTROL ROCKER WELDMENT | | 1 | |
| 11 | GBT91-3.2X16-A0P | SPLIT PIN | | 2 | |
| 12 | GBT97.1-10-A0P | FLAT WASHER | | 2 | |
| 13 | TS04413010005 | MIDDLE PULL ROD WELDMENT | | 1 | |
| 14 | GBT6171-M10X1-LH-8-A2L | HEXAGON NUT, TYPE-1 | | 1 | |
| 15 | FT800A.21.353 | MIDDLE ROD | | 1 | |
| 16 | GBT6171-M10X1-8-A2L | HEXAGON NUT, TYPE-1 | | 1 | |
| 17 | TB504.413A.5 | PULL ROD WELDMENT | | 1 | |
| 18 | GBT882-B10X30 | PIN SHAFT | | 1 | |
| 19 | TB480.413.2 | ROCKER WELDMENT | | 1 | |
| 20 | GBT879.1-6X26 | SPRING COLUMN PIN | | 1 | |
| 21 | GBT879.1-3.5X26 | SPRING COLUMN PIN | | 1 | |
| 22 | GBT5783-M8X20-8.8-A2L | HEXAGON BOLT | | 2 | |
| 23 | FT300.41E.109 | LEVER SHAFT SLEEVE | | 1 | |
| 24 | GBT3452.1-16.0X2.65G | RUBBER O-SEAL RING | | 1 | |
| 25 | TB550.413-04 | LEVER | | 1 | |
| 26 | GBT308-9.5-G100-b | STEEL BALL | | 1 | |
| 27 | FT704.42B.163 | FORK SHAFT LOCATING SPRING | | 1 | |
| 28 | TB550.413-03 | SCREW NECK | | 1 | |
| 29 | GBT91-2.5X32-A0P | SPLIT PIN | | 1 | |
| 30 | TB550.413-01a | OPERATION FORK OF PTO | | 1 | |

TS04413010000 PTO CONTROL ASSEMBLY (cont'd.)

| No. | Part No. | Description | Version | QTY. | Remark |
|-----|----------------------|--------------------|---------|------|--------|
| 31 | GBT3452.1-11.2X2.65G | RUBBER O-SEAL RING | | 1 | |
| 32 | FT300.41C.107a | PTO FORK SHAFT | | 1 | |

TB554. 421E TRANSFER CASE ASSEMBLY



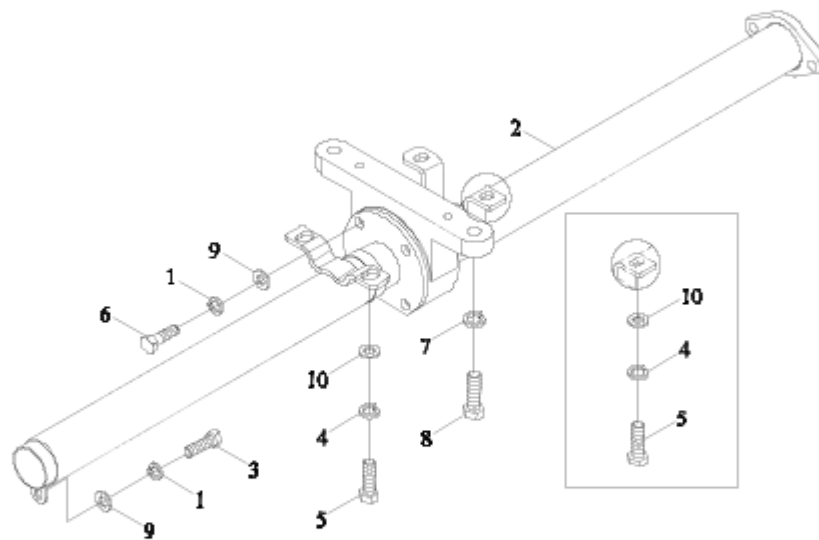
TB554. 421E TRANSFER CASE ASSEMBLY

| No. | Part No. | Description | Ver- sion | QTY. | Remark |
|------|------------------------|--|--------------|------|--------|
| | TB554.421E | TRANSFER CASE ASSEMBLY | | 1 | |
| 1 | TB554.421E.1 | TRANSFER CASE BODY INSTALLATION ASSEMBLY | | 1 | |
| 1.1 | FT304.42.102 | IDLER SHAFT | | 1 | |
| 1.2 | FT304.42F.103 | THRUST RING | | 2 | |
| 1.3 | JBT7918-K25X31X20 | NEEDLE AND CARRIER COMBINATION | | 2 | |
| 1.4 | FT304.42.126 | NEEDLE INNER SPACER SLEEVE | | 1 | |
| 1.5 | TB554.421E.1-02 | TRANSFER CASE IDLER | | 2 | |
| 1.6 | TB554.421E.1-01 | TRANSFER CASE BODY | | 2 | |
| 1.7 | FT304.42.112 | THRUST SCREW | | 1 | |
| 1.8 | GBT6173-M10X1-05-A2L | HEXAGON THIN NUT | | 1 | |
| 1.9 | GBT276-6306 | DEEP GROOVE BALL BEARING | | 2 | |
| 1.10 | FT304.42.117 | BEARING COVER | | 1 | |
| 1.11 | GBT93-8-A0P | STANDARD SPRING WASHER | | 8 | |
| 1.12 | GBT5783-M8X20-8.8-A2L | HEXAGON BOLT | | 8 | |
| 1.13 | GBT3452.1-17.0X1.80G | RUBBER O-SEAL RING | | 2 | |
| 1.14 | TB554.421E.1.1 | ROTARY SHAFT WELDMENT | | 2 | |
| 1.15 | TB554.423B-02 | ROTARY SHAFT SPACER BUSH | | 1 | |
| 1.16 | TB554.421E.1-05 | SIDE COVER | | 2 | |
| 1.17 | GBT93-10-A0P | STANDARD SPRING WASHER | | 4 | |
| 1.18 | GBT5782-M10X45-8.8-A3L | HEXAGON BOLT | | 4 | |
| 1.19 | TB554.421E.1-04 | FORK SHAFT | | 2 | |
| 1.20 | GBT879.1-6X30 | SPRING COLUMN PIN | | 1 | |
| 1.21 | GBT879.1-3.5X30 | SPRING COLUMN PIN | | 1 | |
| 1.22 | GBT308-10-G100-b | STEEL BALL | | 1 | |
| 1.23 | FT800.37.139 | SPRING | | 1 | |
| 1.24 | TB554.421E.1-06 | RELEASE FORK | | 2 | |
| 1.25 | JBT982-18 | COMBINED SEAL GASKET | | 2 | |
| 1.26 | FT804.42.110 | SCREW PLUG | | 2 | |
| 1.27 | FT304.42F.105 | TRANSFER CASE OUTPUT SHAFT | | 1 | |

TB554. 421E TRANSFER CASE ASSEMBLY (cont'd.)

| No. | Part No. | Description | Version | QTY. | Remark |
|------|------------------------|---------------------------|---------|------|--------|
| 1.28 | TB554.421E.1-03 | TRANSFER CASE DRIVEN GEAR | | 2 | |
| 1.29 | GBT9877.1-FB30X52X7D | SEAL RING | | 1 | |
| 1.30 | FT304.42F.106 | BEARING SEAT | | 1 | |
| 1.31 | TB554.421D.1-01 | TRANSFER CASE DRIVEN GEAR | | 1 | |
| 1.32 | TB554.421B.1-07 | RELEASE FORK | | 1 | |
| 1.33 | TB604.421.1-03 | SHIFT COLLAR | | 1 | |
| 1.34 | FT804.42.115 | MESH GEAR SEAT | | 1 | |
| 2 | GBT3452.1-132X3.55G | RUBBER O-SEAL RING | | 1 | |
| 3 | GBT93-10-A0P | STANDARD SPRING WASHER | | 4 | |
| 4 | GBT5783-M10X30-8.8-A3L | HEXAGON BOLT | | 4 | |
| 5 | GBT119.1-10m6X20-A0P | COLUMN PIN | | 2 | |

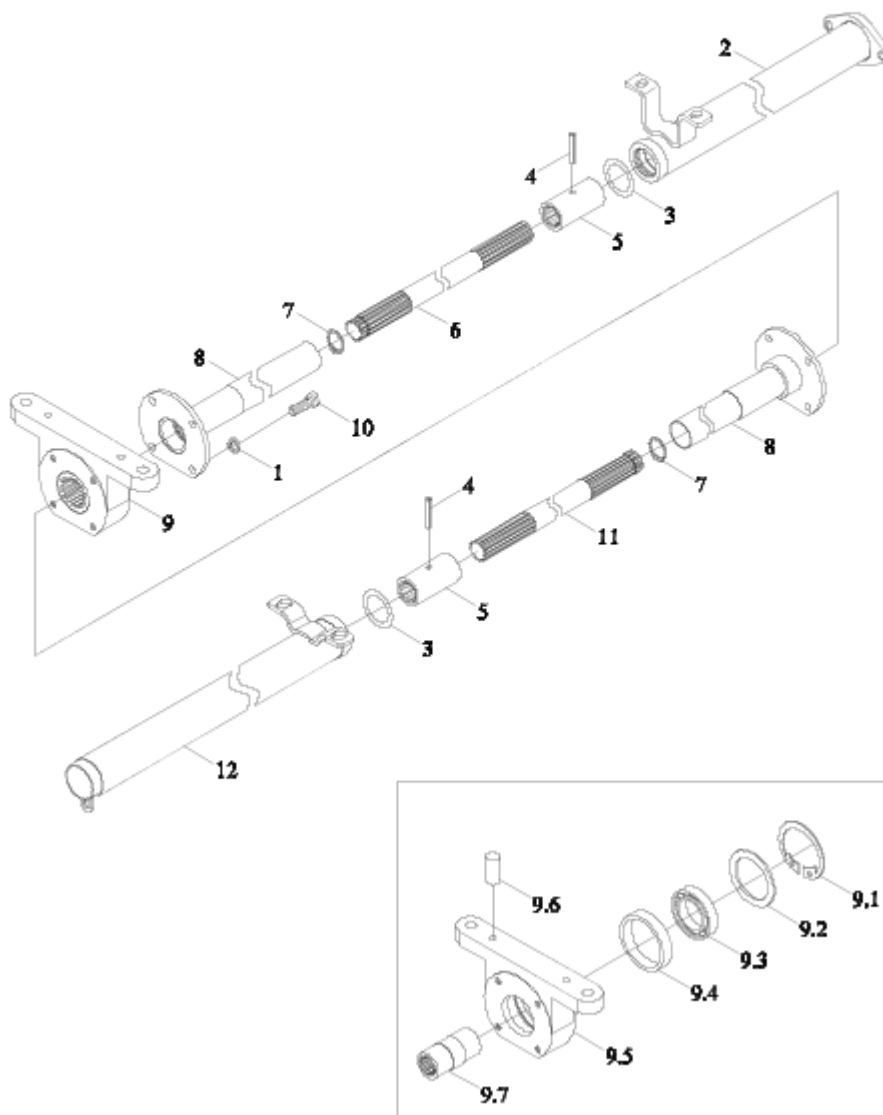
TB454. 422 TRANSFER CASE TRANSMISSION ASSEMBLY-1



TB454. 422 TRANSFER CASE TRANSMISSION ASSEMBLY-1

| No. | Part No. | Description | Version | QTY. | Remark |
|-----|------------------------|-------------------------------------|---------|------|--------|
| | TB454.422 | TRANSFER CASE TRANSMISSION ASSEMBLY | | 1 | |
| 1 | GBT93-8 | STANDARD SPRING WASHER | | 1 | |
| 2 | TB454.422.1 | TRANSMISSION SHAFT ASSEMBLY | | 2 | |
| 3 | GBT5783-M8X16-8.8-A2L | HEXAGON BOLT | | 3 | |
| 4 | GBT93-10 | STANDARD SPRING WASHER | | 4 | |
| 5 | GBT5783-M10X25-8.8-A3L | HEXAGON BOLT | | 5 | |
| 6 | GBT5783-M8X20-8.8-A2L | HEXAGON BOLT | | 6 | |
| 7 | GBT93-12 | STANDARD SPRING WASHER | | 7 | |
| 8 | GBT5783-M12X40-8.8-A3L | HEXAGON BOLT | | 8 | |
| 9 | GBT95-8-A0P | FLAT WASHER | | 9 | |
| 10 | GBT97.1-10-A0P | FLAT WASHER | | 10 | |

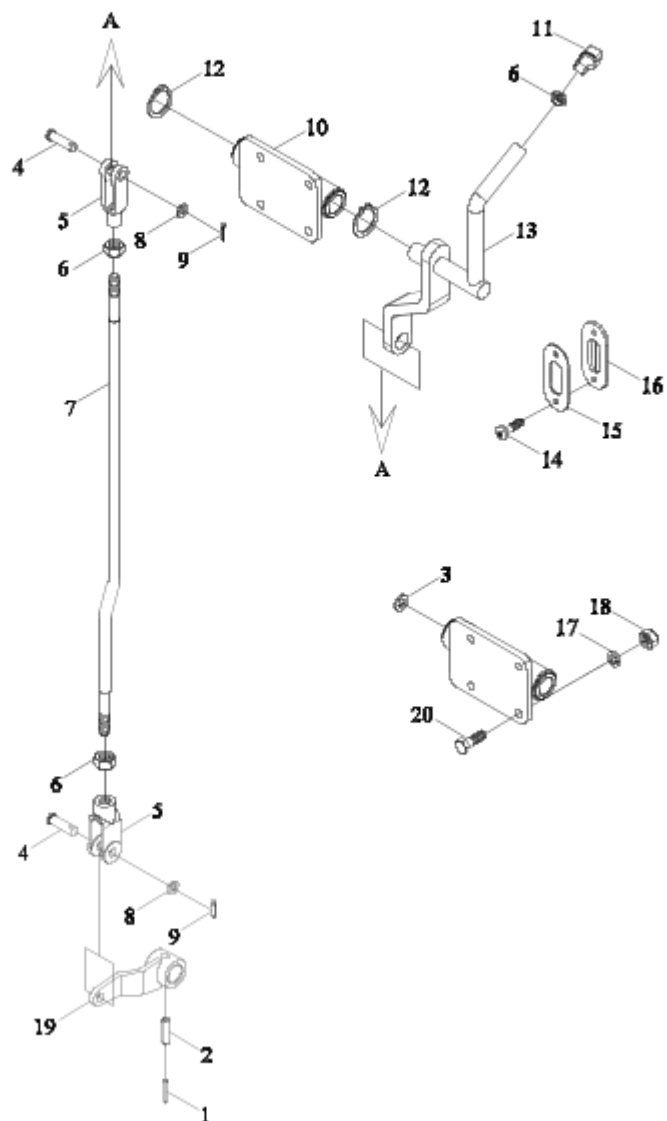
TB454. 422 TRANSFER CASE TRANSMISSION ASSEMBLY-2



TB454. 422 TRANSFER CASE TRANSMISSION ASSEMBLY-2

| No. | Part No. | Description | Version | QTY. | Remark |
|-----|-----------------------|------------------------------|---------|------|--------|
| | TB454.422.1 | TRANSMISSION SHAFT ASSEMBLY | | 1 | |
| 1 | GBT93-8 | STANDARD SPRING WASHER | | 8 | |
| 2 | FT304.42F.015 | GUARD SLEEVE WELDMENT-1 | | 1 | |
| 3 | GBT3452.1-34.5X3.55G | RUBBER O-SEAL RING | | 2 | |
| 4 | GBT879.1-6X35 | SPRING COLUMN PIN | | 2 | |
| 5 | FT304.42.107a | SPLINE BUSH | | 2 | |
| 6 | FT404.42.128 | REAR TRANSMISSION SHAFT | | 1 | |
| 7 | GBT894.1-26 | CIRCLIP FOR SHAFT | | 2 | |
| 8 | FT304.42X.017 | GUARD SLEEVE WELDMENT-2 | | 2 | |
| 9 | TB554.422.1 | MIDDLE BEARING SEAT ASSEMBLY | | 1 | |
| 9.1 | GBT893.2-72 | CIRCLIPS FOR HOLE | | 1 | |
| 9.2 | FT304.42X.136 | SPACER RING | | 1 | |
| 9.3 | GBT276-6007-2RS | DEEP GROOVE BALL BEARING | | 1 | |
| 9.4 | FT304.42X.137 | RUBBER RING | | 1 | |
| 9.5 | FT304.42X.138 | MIDDLE BEARING SEAT | | 1 | |
| 9.6 | GBT119.1-8m6X20-A0P | COLUMN PIN | | 2 | |
| 9.7 | FT304.42X.135 | MIDDLE SPLINE BUSH | | 1 | |
| 10 | GBT5783-M8X20-8.8-A2L | HEXAGON BOLT | | 8 | |
| 11 | FT404.42.139 | FRONT TRANSMISSION SHAFT | | 1 | |
| 12 | FT404.42.016 | GUARD SLEEVE WELDMENT-3 | | 1 | |

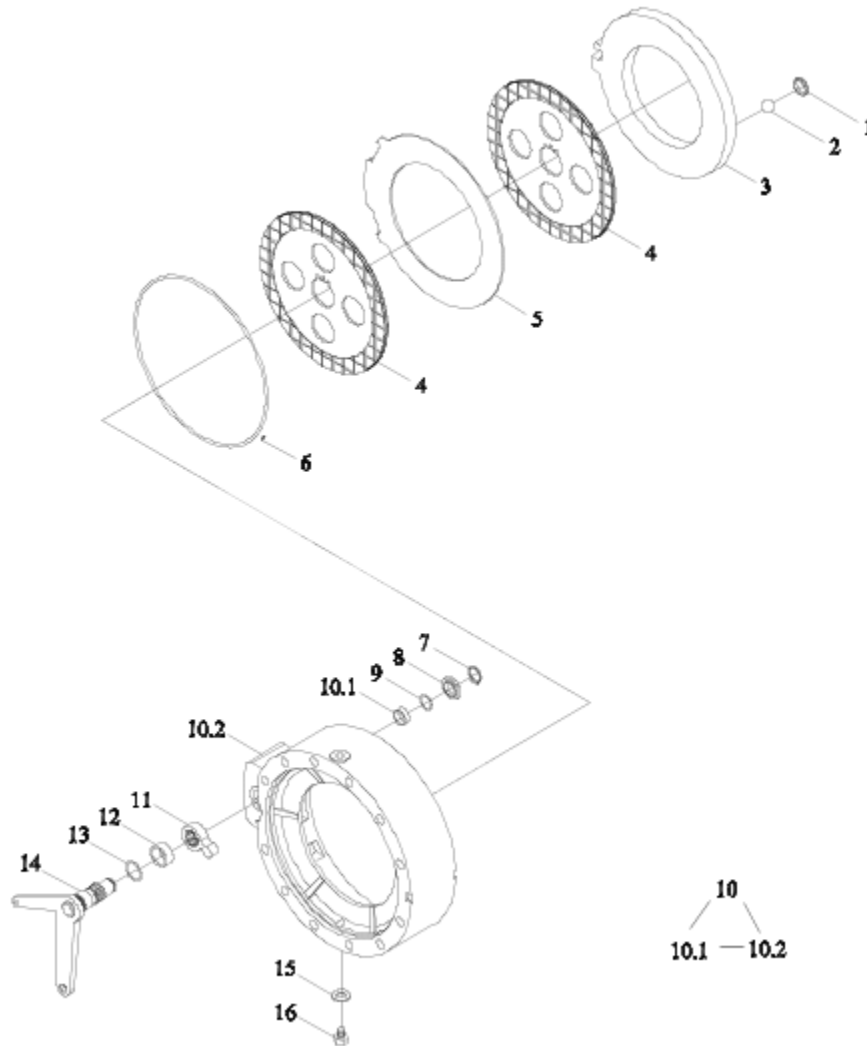
TS04423010000K TRANSFER CASE CONTROL ASSEMBLY



TS04423010000K TRANSFER CASE CONTROL ASSEMBLY

| No. | Part No. | Description | Version | QTY. | Remark |
|-----|-----------------------|--------------------------------|---------|------|--------|
| | TS04423010000K | TRANSFER CASE CONTROL ASSEMBLY | | 1 | |
| 1 | GBT879.1-5X32 | SPRING COLUMN PIN | | 1 | |
| 2 | GBT879.1-8X32 | SPRING COLUMN PIN | | 1 | |
| 3 | GBT95-24-A0P | FLAT WASHER | | 1 | |
| 4 | GBT882-B10X30-A0P | PIN SHAFT | | 2 | |
| 5 | FT300.43.108 | PULL ROD FRONT FORK | | 2 | |
| 6 | GBT6170-M10-8-A3L | HEXAGON NUT, TYPE-1 | | 3 | |
| 7 | TS04423010002K | PULL ROD | | 1 | |
| 8 | GBT97.1-10-A0P | FLAT WASHER | | 2 | |
| 9 | GBT91-3.2X16-A0P | SPLIT PIN | | 2 | |
| 10 | TS04423010003 | SUPPORT SEAT | | 1 | |
| 11 | TS04423010001K | TRANSFER CASE CONTROL HANDLE | | 1 | |
| 12 | GBT894.1-22 | CIRCLIP FOR SHAFT | | 2 | |
| 13 | TS04423010003K | STEERING AXLE WELDMENT | | 1 | |
| 14 | GBT823-M6X12-4.8-A2L | SCREW | | 2 | |
| 15 | TS04423010013 | PRESSURE PLATE | | 1 | |
| 16 | TS04423010012 | SEAL GASKET | | 1 | |
| 17 | GBT93-8-A0P | STANDARD SPRING WASHER | | 4 | |
| 18 | GBT6170-M8-8-A2L | HEXAGON NUT, TYPE-1 | | 4 | |
| 19 | TS04423010005 | ROCKER WELDMENT | | 1 | |
| 20 | GBT5783-M8X16-8.8-A2L | HEXAGON BOLT | | 4 | |

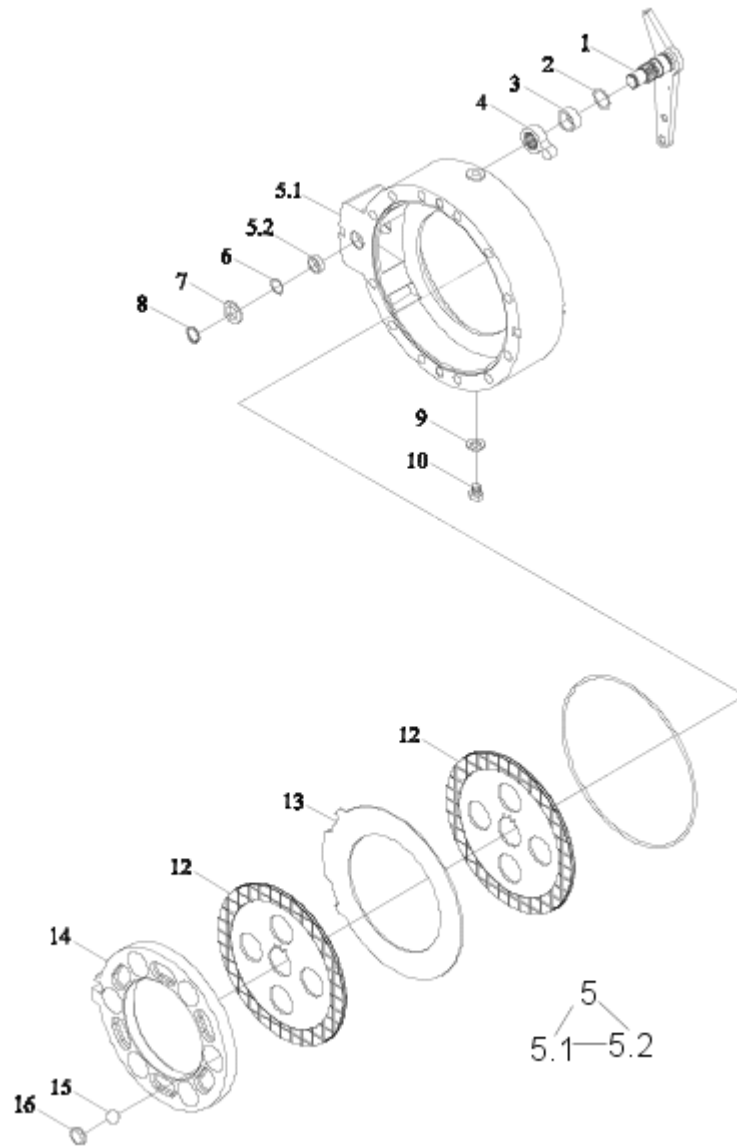
TB504. 431B LEFT BRAKE ASSEMBLY



TB504. 431B LEFT BRAKE ASSEMBLY

| No. | Part No. | Description | Version | QTY. | Remark |
|------|----------------------|-------------------------------|---------|------|--------|
| | TB504.431B | LEFT BRAKE ASSEMBLY | | 1 | |
| 1 | FT300.43.102 | BOWL PLUG | | 6 | |
| 2 | GBT308-18-G100-b | STEEL BALL | | 6 | |
| 3 | FT300.43.103 | LEFT BRAKE PRESSURE PLATE | | 1 | |
| 4 | TB450.431.1 | BRAKE FRICTION PLATE ASSEMBLY | | 2 | |
| 5 | FT300.43.105 | SPACER PLATE | | 1 | |
| 6 | FT300.43.101 | O-RING | | 1 | |
| 7 | GBT894.1-18 | CIRCLIP FOR SHAFT | | 1 | |
| 8 | FT300.43.109a | WASHER | | 1 | |
| 9 | GBT3452.1-18.0X2.65G | RUBBER O-SEAL RING | | 1 | |
| 10 | FT300.43.012 | LEFT BRAKE HOUSING ASSEMBLY | | 1 | |
| 10.1 | FT300.43.114 | CRANK SHAFT BUSH | | 1 | |
| 10.2 | FT300.43.121 | LEFT BRAKE HOUSING | | 1 | |
| 11 | FT300.43.106 | DIAL BLOCK | | 1 | |
| 12 | FT300.43.107 | SPACER BUSH | | 1 | |
| 13 | GBT3452.1-20.0X2.65G | RUBBER O-SEAL RING | | 1 | |
| 14 | TB504.431B.1 | LEFT CRANK UNIT | | 1 | |
| 15 | JBT982-12 | COMBINED SEAL GASKET | | 1 | |
| 16 | FT300.43.154 | SCREW PLUG | | 1 | |

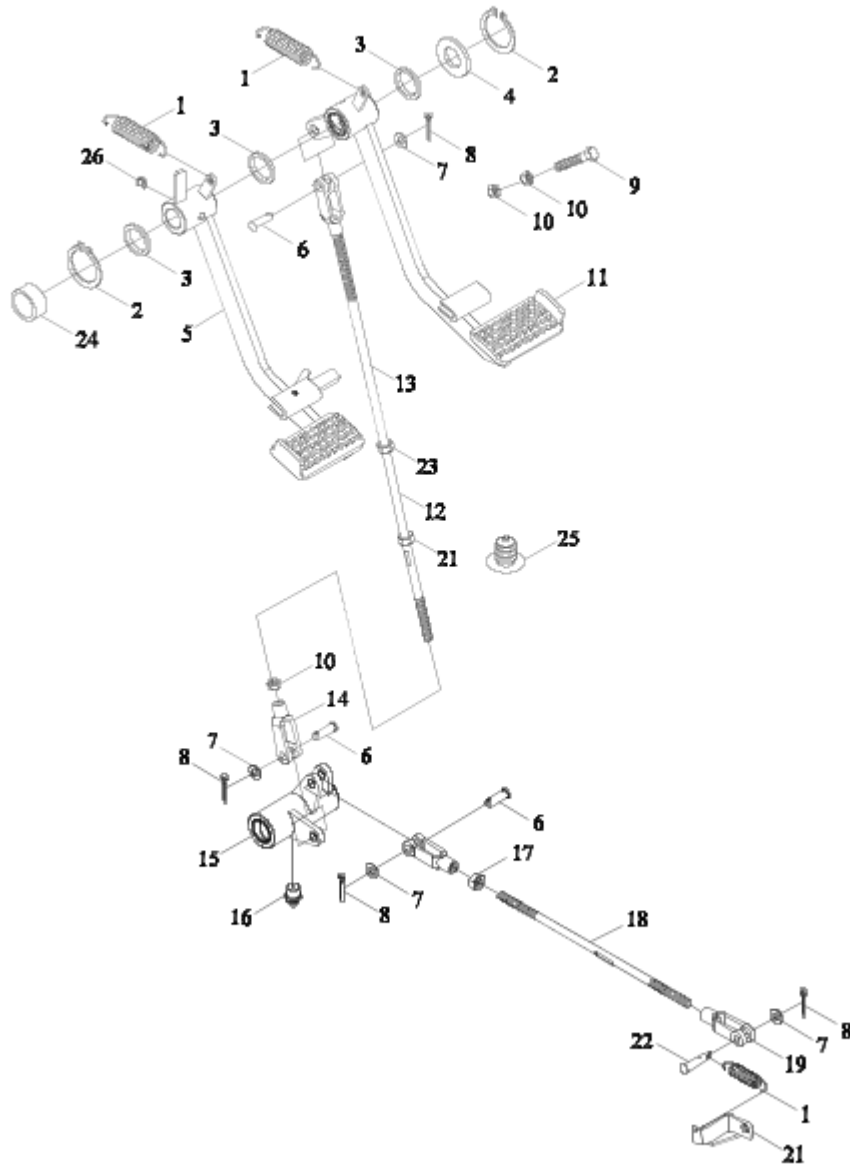
TB504. 432B RIGHT BRAKE ASSEMBLY



TB504. 432B RIGHT BRAKE ASSEMBLY

| No. | Part No. | Description | Ver- sion | QTY. | Remark |
|-----|----------------------|----------------------------------|--------------|------|--------|
| | TB504.432B | RIGHT BRAKE ASSEMBLY | | 1 | |
| 1 | TB504.432B.1 | RIGHT CRANK UNIT | | 1 | |
| 2 | GBT3452.1-20.0X2.65G | RUBBER O-SEAL RING | | 1 | |
| 3 | FT300.43.107 | SPACER BUSH | | 1 | |
| 4 | FT300.43.106 | DIAL BLOCK | | 1 | |
| 5 | FT300.43.013 | RIGHT BRAKE HOUSING ASSEMBLY | | 1 | |
| 5.1 | FT300.43.122 | RIGHT BRAKE HOUSING | | 1 | |
| 5.2 | FT300.43.114 | CRANK SHAFT BUSH | | 1 | |
| 6 | GBT3452.1-18.0X2.65G | RUBBER O-SEAL RING | | 1 | |
| 7 | FT300.43.109a | WASHER | | 1 | |
| 8 | GBT894.1-18 | CIRCLIP FOR SHAFT | | 1 | |
| 9 | JBT982-12 | COMBINED SEAL GASKET | | 1 | |
| 10 | FT300.43.154 | SCREW PLUG | | 1 | |
| 12 | TB450.431.1 | BRAKE FRICTION PLATE ASSEMBLY | | 2 | |
| 13 | FT300.43.105 | SPACER PLATE | | 1 | |
| 14 | FT300.43.104 | RIGHT BRAKE PLATEN | | 1 | |
| 15 | GBT308-18-G100-b | STEEL BALL | | 6 | |
| 16 | FT300.43.102 | BOWL PLUG | | 6 | |

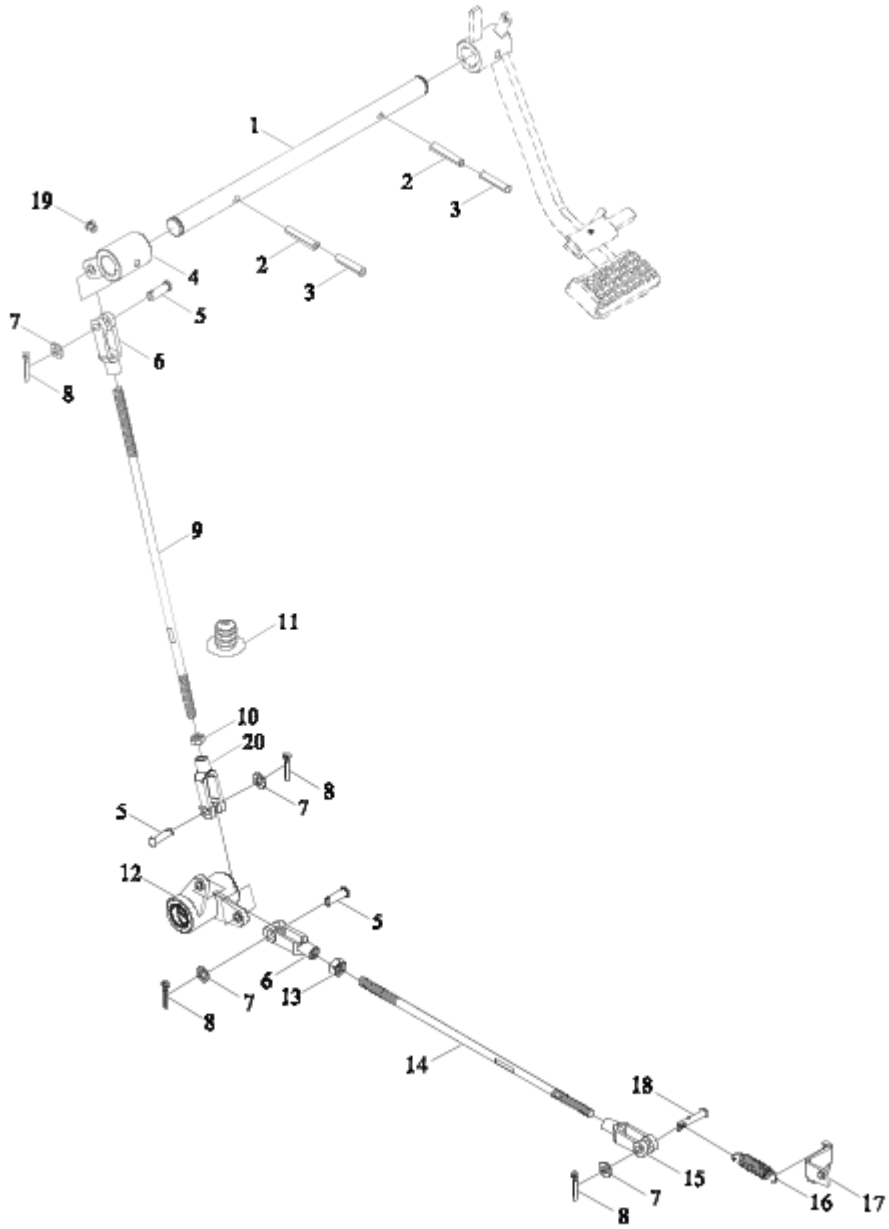
TS04433010000K BRAKE SYSTEM CONTROL ASSEMBLY-1



TS04433010000K BRAKE SYSTEM CONTROL ASSEMBLY-1

| No. | Part No. | Description | Version | QTY. | Remark |
|-----|--------------------------|---|---------|------|--------|
| | TS04433010000K | BRAKE SYSTEM CONTROL ASSEMBLY | | 1 | |
| 1 | TE250.212D-05 | CLUTCH PEDAL RETURN SPRING | | 3 | |
| 2 | GBT894.1-25 | CIRCLIP FOR SHAFT | | 2 | |
| 3 | GBT97.1-24-A0P | FLAT WASHER | | 1 | |
| 4 | TE250.433C-02 | GASKET | | 7 | |
| 5 | TB604.433E.1 | LEFT BRAKE PEDAL UNIT | | 1 | |
| 6 | GBT882-B10X30-A0P | PIN SHAFT | | 4 | |
| 7 | GBT97.1-10-A0P | FLAT WASHER | | 4 | |
| 8 | GBT91-3.2X22-A0P | SPLIT PIN | | 4 | |
| 9 | GBT5783-M10X45-8.8-A3L | HEXAGON BOLT | | 2 | |
| 10 | GBT6170-M10-8-A3L | HEXAGON NUT, TYPE-1 | | 4 | |
| 11 | TB604.433E.2 | RIGHT BRAKE PEDAL UNIT | | 1 | |
| 12 | TE354.433-03 | CONNECTING ROD | | 2 | |
| 13 | TB604.212.5 | UPPER PULL ROD WELDMENT | | 2 | |
| 14 | TB604.433E.10 | LOWER PULL ROD WELDMENT | | 2 | |
| 15 | TB604.433E.5 | ROCKER UNIT HUB | | 1 | |
| 16 | JBT7940.1-M8X1 | STRAIGHT FORCED FILLING OIL CUP | | 3 | |
| 17 | GBT6170-M10-LH-8-A3L | HEXAGON NUT, TYPE-1 | | 1 | |
| 18 | TB604.433E-03 | LOWER PULL ROD | | 1 | |
| 19 | TA700.431A-01 | DEXTROROTATION LONG HOLE CONNECT FORK | | 1 | |
| 21 | TB704.433.5 | RIGHT RETURN SPRING CONNECTING PLATE WELDMENT | | 1 | |
| 22 | TB704.433-04 | CONNECTING PIN | | 1 | |
| 23 | GBT6171-M12X1.5-LH-8-A3L | HEXAGON NUT, TYPE-1 | | 2 | |
| 24 | TS04433010011 | SPACER BUSH | | 1 | |
| 25 | TB604.433E-06 | DUSTPROOF SLEEVE | | 1 | |
| 26 | TD800.311C.1-01 | DUSTPROOF CAP OF OIL CUP | | 1 | |

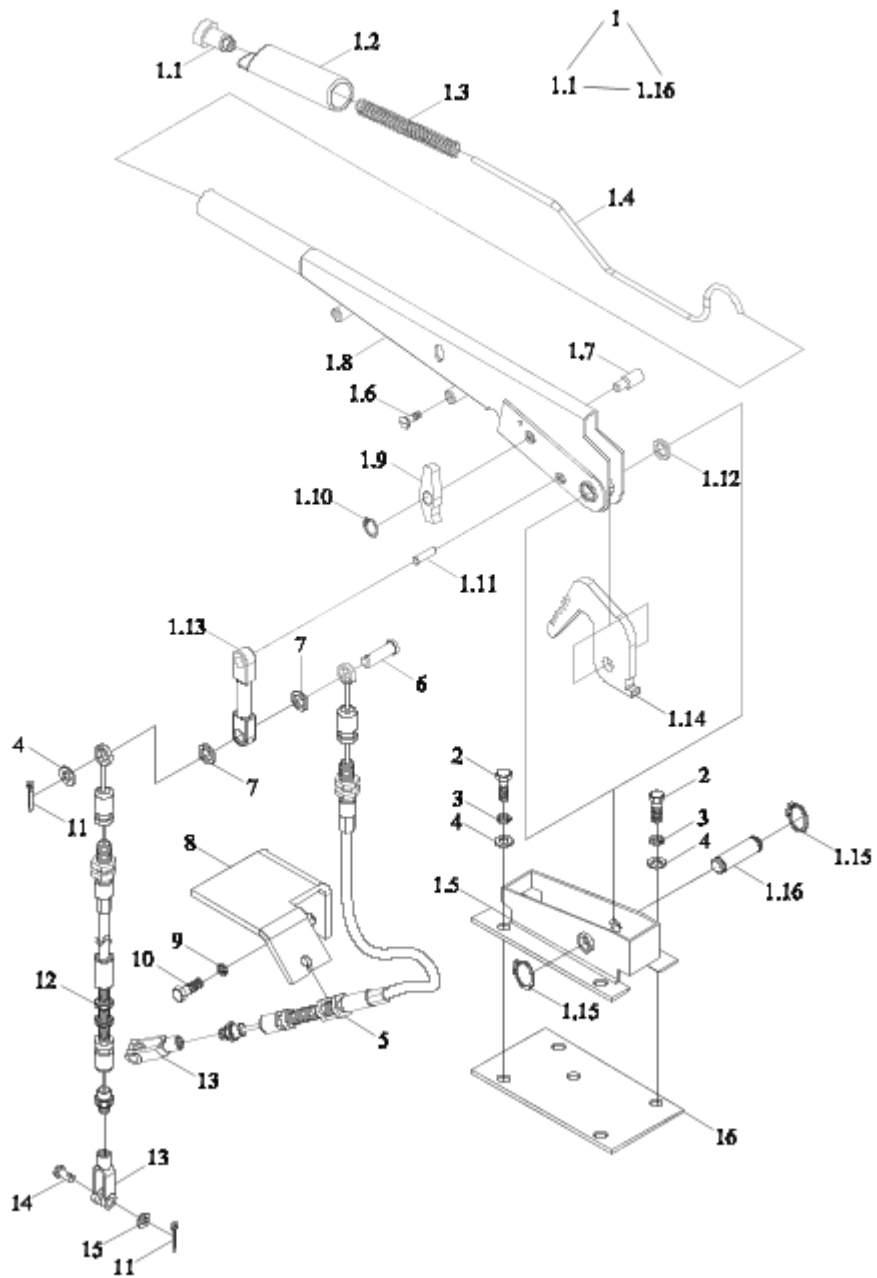
TS04433010000K BRAKE SYSTEM CONTROL ASSEMBLY-2



TS04433010000K BRAKE SYSTEM CONTROL ASSEMBLY-2

| No. | Part No. | Description | Version | QTY. | Remark |
|-----|----------------------|--|---------|------|--------|
| | TS04433010000K | BRAKE SYSTEM CONTROL ASSEMBLY | | 1 | |
| 1 | TB604.433E-01 | SUPPORT SHAFT | | 1 | |
| 2 | GBT879.1-5X40 | SPRING COLUMN PIN | | 2 | |
| 3 | GBT879.1-8X40 | SPRING COLUMN PIN | | 2 | |
| 4 | TB604.433E.3 | LEFT DRAW ARM WELDMENT | | 1 | |
| 5 | GBT882-B10X30-A0P | PIN SHAFT | | 3 | |
| 6 | FT300.43.110 | PULL ROD REAR FORK | | 2 | |
| 7 | GBT97.1-10-A0P | FLAT WASHER | | 4 | |
| 8 | GBT91-3.2X22-A0P | SPLIT PIN | | 4 | |
| 9 | TE354.433-03 | CONNECTING ROD | | 1 | |
| 10 | GBT6170-M10-8-A3L | HEXAGON NUT, TYPE-1 | | 1 | |
| 11 | TB604.433E-06 | DUSTPROOF SLEEVE | | 1 | |
| 12 | TB604.433E.4 | ROCKER UNIT HUB | | 1 | |
| 13 | GBT6170-M10-LH-8-A3L | HEXAGON NUT, TYPE-1 | | 1 | |
| 14 | TB604.433E-03 | LOWER PULL ROD | | 1 | |
| 15 | TA700.431A-01 | DEXTROROTATION LONG HOLE CONNECT FORK | | 1 | |
| 16 | TE250.212D-05 | CLUTCH PEDAL RETURN SPRING | | 1 | |
| 17 | TB704.433.6 | LEFT RETURN SPRING CONNECTING PLATE WELDMENT | | 1 | |
| 18 | TB704.433-04 | CONNECTING PIN | | 1 | |
| 19 | TD800.311C.1-01 | DUSTPROOF CAP OF OIL CUP | | 1 | |
| 20 | FT300.43.108 | PULL ROD FRONT FORK | | 2 | |

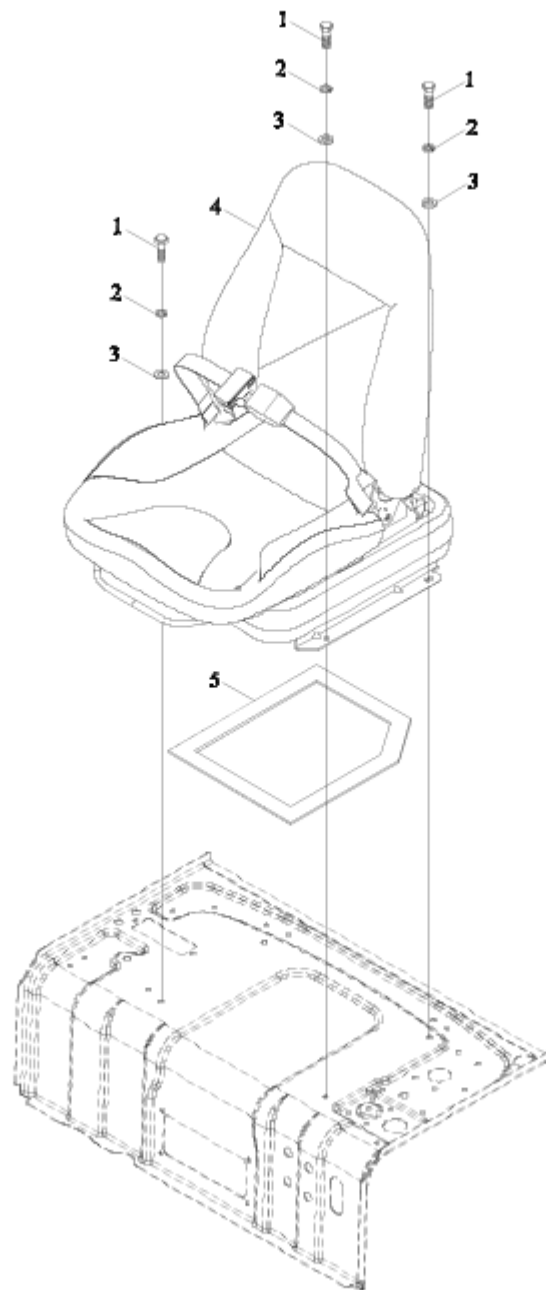
TS04433010000K BRAKE SYSTEM CONTROL ASSEMBLY-3



TS0443301000K BRAKE SYSTEM CONTROL ASSEMBLY-3

| No. | Part No. | Description | Version | QTY. | Remark |
|-----|------------------------|---------------------------------------|---------|------|--------|
| | TS0443301000K | BRAKE SYSTEM CONTROL ASSEMBLY | | 1 | |
| 1 | TS04433010001 | CONTROLLING HANDLE ASSEMBLY | | 1 | |
| 2 | GBT5783-M8X20-8.8-A2L | HEXAGON BOLT | | 4 | |
| 3 | GBT93-8-A0P | STANDARD SPRING WASHER | | 4 | |
| 4 | GBT97.1-8-A0P | FLAT WASHER | | 5 | |
| 5 | TS04433010006 | RIGHT BRAKE PULL WIRE ASSEMBLY | | 1 | |
| 6 | GBT882-B8X40-A0P | PIN SHAFT | | 1 | |
| 7 | TB604.433E-04 | SMALL RETAINER RING | | 2 | |
| 8 | TB604.433E.6 | LEFT PULL WIRE SUPPORT SEAT WELDMENT | | 1 | |
| 9 | GBT93-10-A0P | STANDARD SPRING WASHER | | 2 | |
| 10 | GBT5783-M10X20-8.8-A3L | HEXAGON BOLT | | 2 | |
| 11 | GBT91-3.2X22-A0P | SPLIT PIN | | 2 | |
| 12 | TS04433010007 | LEFT BRAKE WIRE ASSEMBLY | | 1 | |
| 13 | TA700.431A-01 | DEXTROROTATION LONG HOLE CONNECT FORK | | 2 | |
| 14 | GBT882-B10X30-A0P | PIN SHAFT | | 2 | |
| 15 | GBT97.1-10-A0P | FLAT WASHER | | 2 | |
| 16 | TS04433010002 | DUSTPROOF MAT | | 1 | |

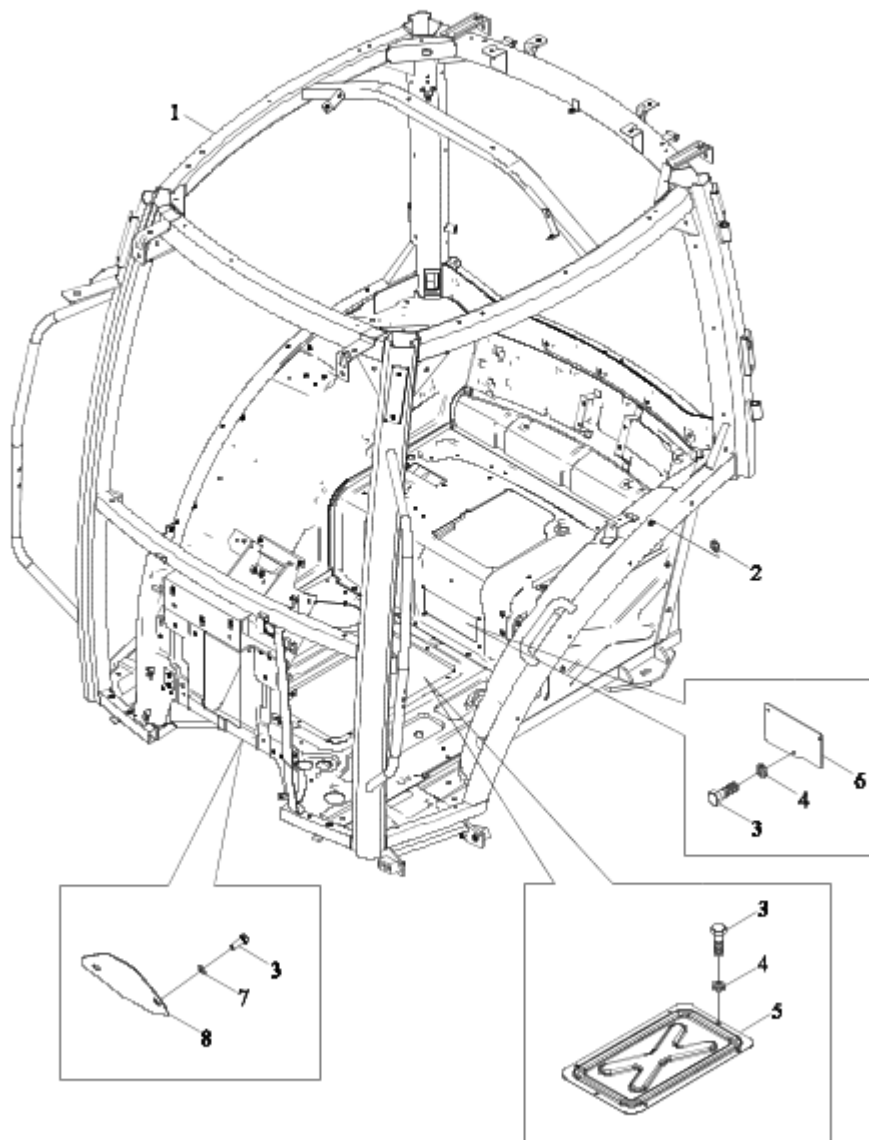
TS04441010000 SEAT INSTALLATION ASSEMBLY



TS04441010000 SEAT INSTALLATION ASSEMBLY

| No. | Part No. | Description | Version | QTY. | Remark |
|-----|-----------------------|----------------------------|---------|------|--------|
| | TS04441010000 | SEAT INSTALLATION ASSEMBLY | | 1 | |
| 1 | GBT5783-M8X25-8.8-A2L | HEXAGON BOLT | | 4 | |
| 2 | GBT93-8-A0P | STANDARD SPRING WASHER | | 4 | |
| 3 | GBT95-8-A0P | FLAT WASHER | | 4 | |
| 4 | TS04441010001 | SEAT ASSEMBLY | | 1 | |
| 5 | TS04441010002 | SEAT SEAL COTTON | | 1 | |

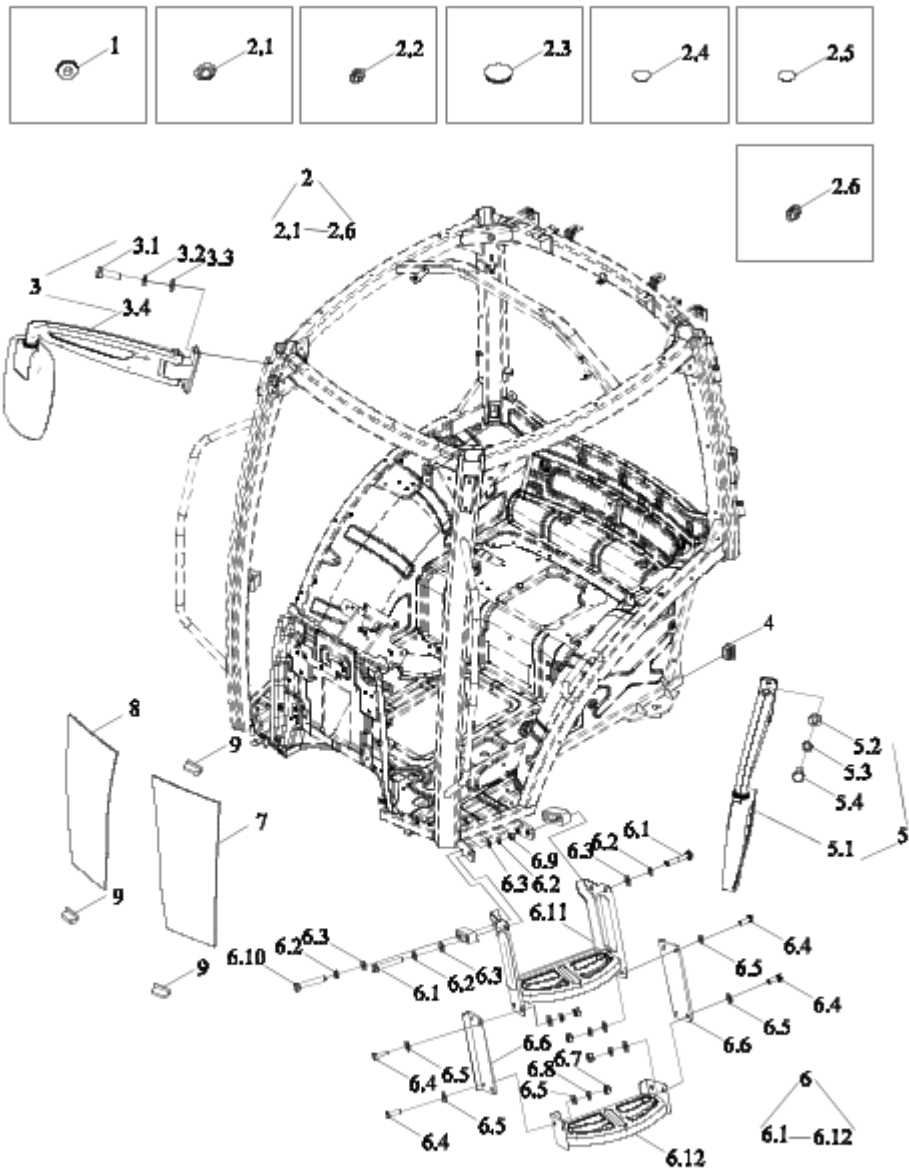
TS04451030000K DRIVER'S CAB ASSEMBLY-1



TS04451030000K DRIVER' S CAB ASSEMBLY-1

| No. | Part No. | Description | Ver- sion | QTY. | Remark |
|-----|-----------------------|--|--------------|------|--------|
| | TS04451010001 | CAB WELDMENT | | 1 | |
| | TS04451030000K | DRIVER'S CAB ASSEMBLY | | 1 | |
| 1 | TS04451011000 | CAB WELDMENT | | 1 | |
| 2 | TS06451011153 | DOOR PNEUMATIC SPRING INSTALLATION SEAT | | 2 | |
| 3 | GBT5783-M6X16-8.8-A2L | HEXAGON BOLT | | 11 | |
| 4 | GBT93-6-A3L | STANDARD SPRING WASHER | | 11 | |
| 5 | TS04451012001 | BONNET | | 1 | |
| 6 | TS04451012005 | REAR FLOOR COVER | | 1 | |
| 7 | GBT97.1-6-A3L | FLAT WASHER | | 2 | |
| 8 | TS04451012002 | COVER PLATE | | 1 | |

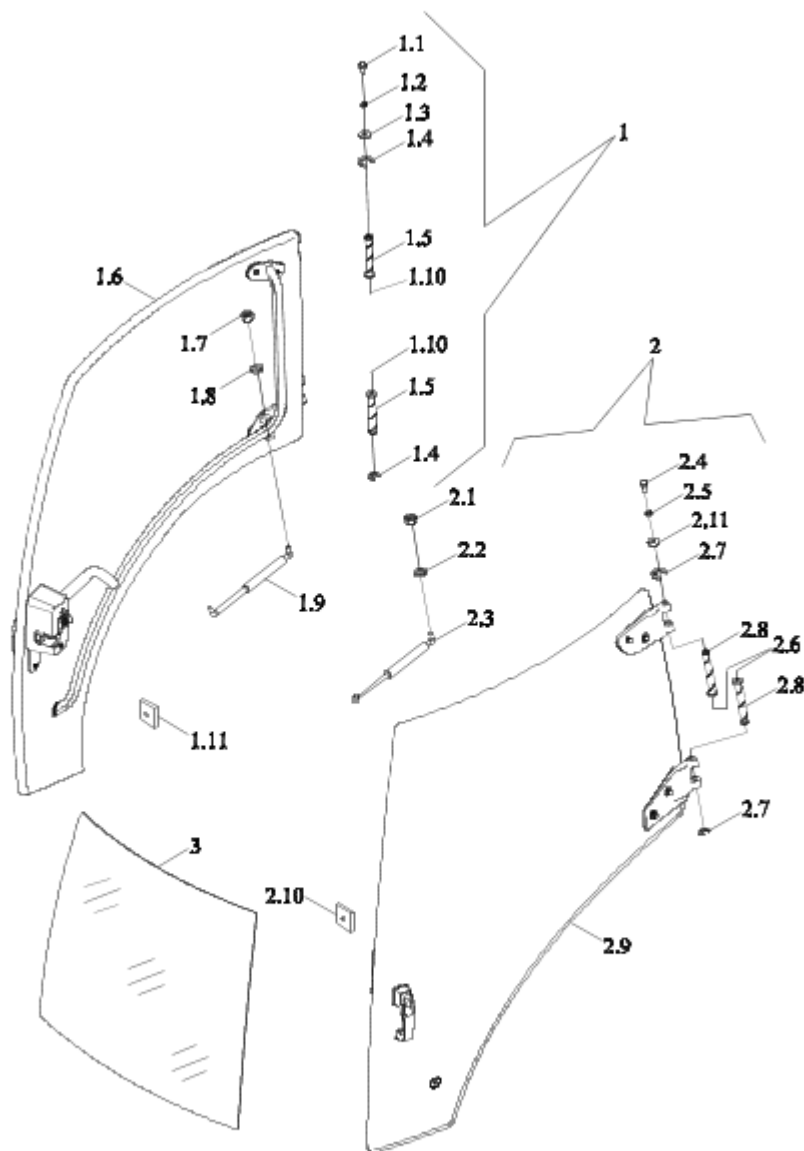
TS04451030000K DRIVER'S CAB ASSEMBLY-2



TS0445103000K DRIVER' S CAB ASSEMBLY-2

| No. | Part No. | Description | Ver- sion | QTY. | Remark |
|-----|----------------|--|--------------|------|--------|
| | TS04451030002K | CAB ACCESSORY | | 1 | |
| | TS04451030000K | DRIVER'S CAB ASSEMBLY | | 1 | |
| 1 | FT65.48.093 | RUBBER RING-1 | | 4 | |
| 2 | TS04451030003K | CAB SEAL | | 1 | |
| 2.1 | TS04451010020 | PLUG COVER | | 2 | |
| 2.2 | TS06451019001 | PROCESS PLUG COVER 1 | | 14 | |
| 2.3 | TD800.452-13 | PLUG COVER | | 4 | |
| 2.4 | TS06451019002 | PROCESS PLUG COVER 2 | | 4 | |
| 2.5 | TS06451019004 | PROCESS PLUG COVER 4 | | 1 | |
| 2.6 | TS06451019003 | PROCESS PLUG COVER 3 | | 6 | |
| 3 | TS06451018201 | RIGHT REAR MIRROR IN- STALLATION ASSEMBLY | | 1 | |
| 4 | TS04451010010 | PLUG COVER | | 2 | |
| 5 | TS06451018101 | LEFT REAR VIEW MIRROR INSTALLATION ASSEMBLY | | 1 | |
| 6 | TS04451017000 | LEFT LADDER | | 1 | |
| 7 | TS04451015002 | LEFT FRONT LOWER WIN- DOW GLASS | | 1 | |
| 8 | TS04451015003 | RIGHT FRONT LOWER WINDOW GLASS | | 1 | |
| 9 | TS06451011269 | GLASS MOUNTINGS MAT | | 4 | |

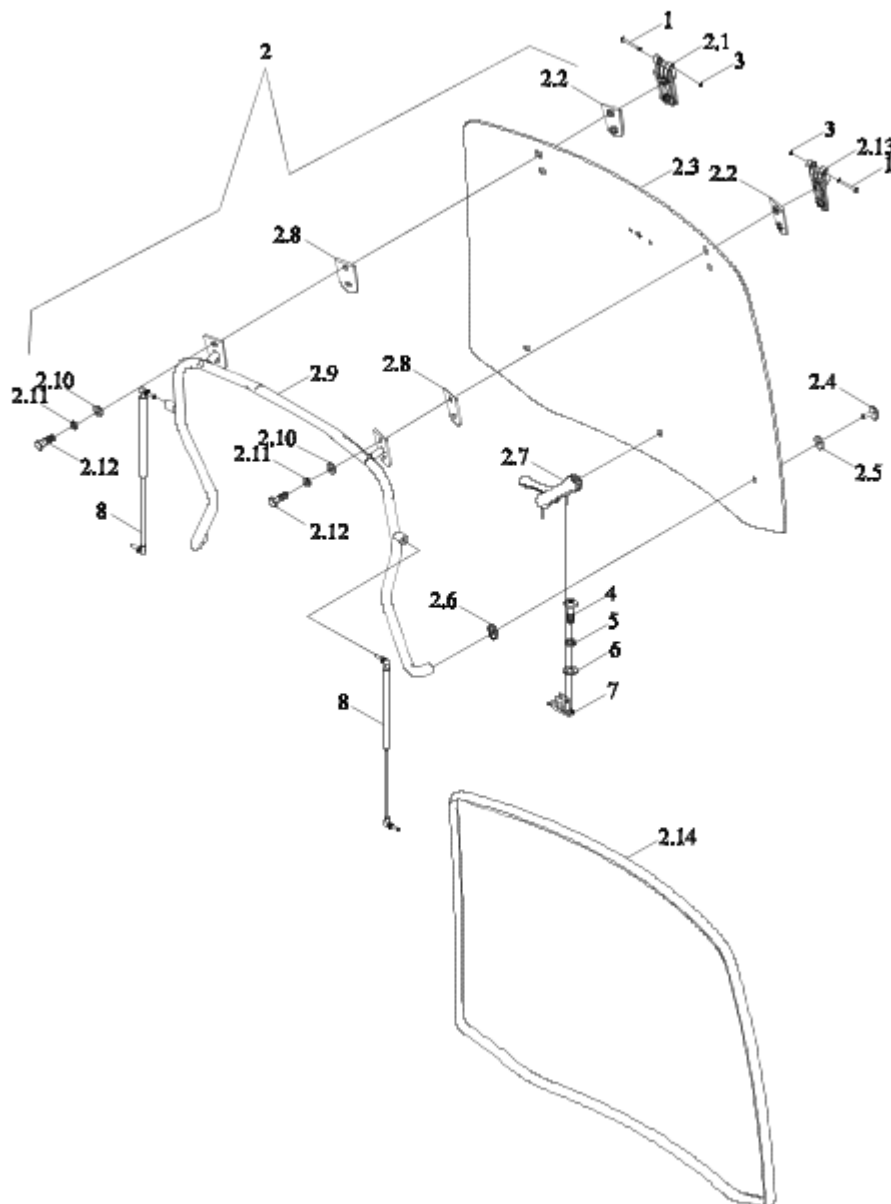
TS04451030000K DRIVER'S CAB ASSEMBLY-3



TS04451030000K DRIVER' S CAB ASSEMBLY-3

| No. | Part No. | Description | Ver- sion | QTY. | Remark |
|------|-------------------|--------------------------------------|--------------|------|--------|
| | TS04451030000K | DRIVER'S CAB ASSEMBLY | | 1 | |
| | TS04451030002K | CAB ACCESSORY | | 1 | |
| 1 | TS04451014000 | RIGHT DOOR ASSEMBLY | | 1 | |
| 1.1 | GBT5783-M6X12-8.8 | HEXAGON BOLT | | 1 | |
| 1.2 | GBT93-6-O | STANDARD SPRING WASHER | | 1 | |
| 1.3 | GBT96.1-6 | BIG WASHER | | 1 | |
| 1.4 | GBT896-12 | SPLIT RETAINER RING | | 2 | |
| 1.5 | TS06451013002 | DOOR LOCK PIN SHAFT | | 2 | |
| 1.6 | TS04451014100 | RIGHT DOOR | | 1 | |
| 1.7 | GBT6170-M8-8-A2L | HEXAGON NUT, TYPE-1 | | 1 | |
| 1.8 | GBT93-8-A0P | STANDARD SPRING WASHER | | 2 | |
| 1.9 | TD904.451C.2-12 | DOOR PNEUMATIC SPRING | | 1 | |
| 1.10 | JBT7940.1-M6 | STRAIGHT FORCED FILL- ING OIL CUP | | 2 | |
| 1.11 | TS04451013002 | DOOR LOCK NUT SEAT | | 1 | |
| 2 | TS04451013000 | LEFT DOOR ASSEMBLY | | 1 | |
| 2.1 | GBT6170-M8-8-A2L | HEXAGON NUT, TYPE-1 | | 1 | |
| 2.2 | GBT93-8-A0P | STANDARD SPRING WASHER | | 2 | |
| 2.3 | TD904.451C.2-12 | DOOR PNEUMATIC SPRING | | 1 | |
| 2.4 | GBT5783-M6X12-8.8 | HEXAGON BOLT | | 1 | |
| 2.5 | GBT93-6-O | STANDARD SPRING WASHER | | 1 | |
| 2.6 | JBT7940.1-M6 | STRAIGHT FORCED FILL- ING OIL CUP | | 2 | |
| 2.7 | GBT896-12 | SPLIT RETAINER RING | | 2 | |
| 2.8 | TS06451013002 | DOOR LOCK PIN SHAFT | | 2 | |
| 2.9 | TS04451013100 | LEFT DOOR | | 1 | |
| 2.10 | TS04451013002 | DOOR LOCK NUT SEAT | | 1 | |
| 2.11 | GBT96.1-6 | BIG WASHER | | 1 | |
| 3 | TS04451015001 | FRONT WINDSHIELD | | 1 | |

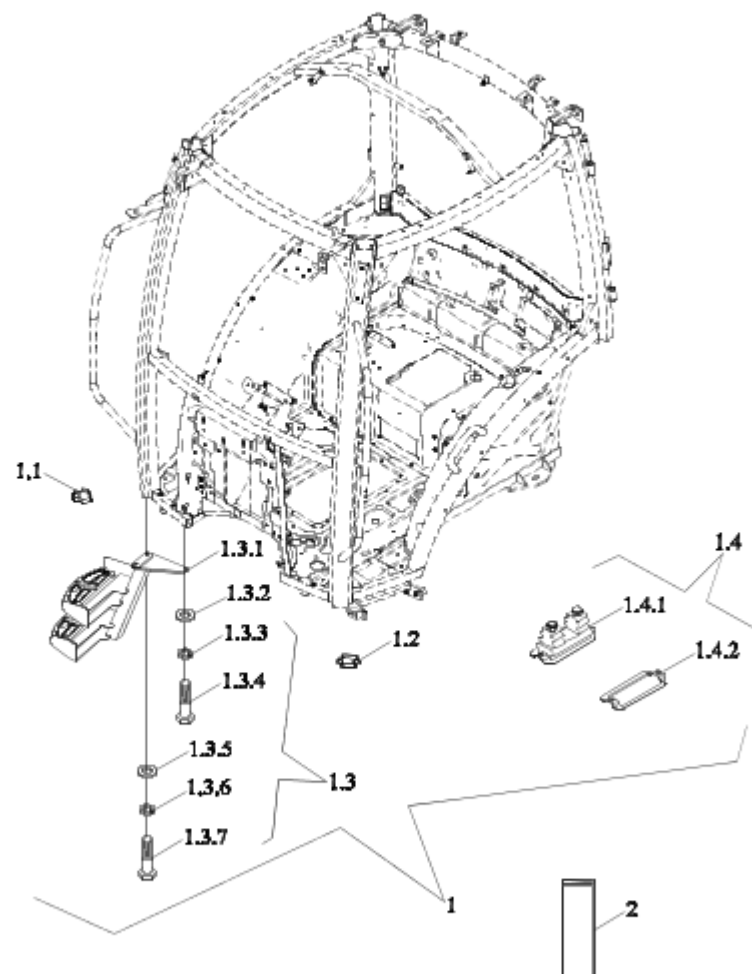
TS04451030000K DRIVER'S CAB ASSEMBLY-4



TS04451030000K DRIVER' S CAB ASSEMBLY-4

| No. | Part No. | Description | Ver- sion | QTY. | Remark |
|------|-----------------------|---------------------------------------|--------------|------|--------|
| | TS04451030000K | DRIVER'S CAB ASSEMBLY | | 1 | |
| | TS04451030002K | CAB ACCESSORY | | 1 | |
| | TS04451046000 | REAR WINDOW ASSEMBLY | | 1 | |
| 1 | TS06451016004 | BACK WINDOWS HINGED PIN SHAFT | | 2 | |
| 2 | TS04451046100 | BACK WIND WINDOWS | | 1 | |
| 2.1 | TS04451046111 | BACK WINDOWS RIGHT HINGED SEAT | | 1 | |
| 2.2 | TS06451016112 | BACK WINDOWS HINGED OUT PAD BOARD | | 2 | |
| 2.3 | TS04451016101 | BACK WIND WINDOW GLASS | | 1 | |
| 2.4 | TS04451013106 | CAST BOLT | | 2 | |
| 2.5 | TD904.451C.2-10 | GLASS OUT WASHER | | 2 | |
| 2.6 | TD904.451C.2-09 | GLASS IN WASHER | | 2 | |
| 2.7 | TS06451016109 | HANDLE ASSEMBLY | | 1 | |
| 2.8 | TS04451046113 | BACK WINDOWS HINGED INTO PAD BOARD | | 2 | |
| 2.9 | TS04451016102 | REAR WINDOW ARMREST WELDMENT | | 1 | |
| 2.10 | GBT97.1-8-A0P | FLAT WASHER | | 4 | |
| 2.11 | GBT93-8-A0P | STANDARD SPRING WASHER | | 4 | |
| 2.12 | GBT5783-M8X25-8.8-A2L | HEXAGON BOLT | | 4 | |
| 2.13 | TS04451046110 | BACK WINDOWS LEFT HINGED SEAT | | 1 | |
| 2.14 | TS04451016108 | REAR WINDOW SEAL STRIP | | 1 | |
| 3 | GBT896-6 | SPLIT RETAINER RING | | 2 | |
| 4 | GBT818-M6x20-4.8 | CROSS SCREW | | 2 | |
| 5 | GBT93-6-A0P | STANDARD SPRING WASHER | | 2 | |
| 6 | GBT97.1-6-A0P | FLAT WASHER | | 2 | |
| 7 | TS06451016003 | SEAT | | 1 | |
| 8 | TS06451016001 | REAR WINDOW PNEU- MATIC SPRING | | 2 | |

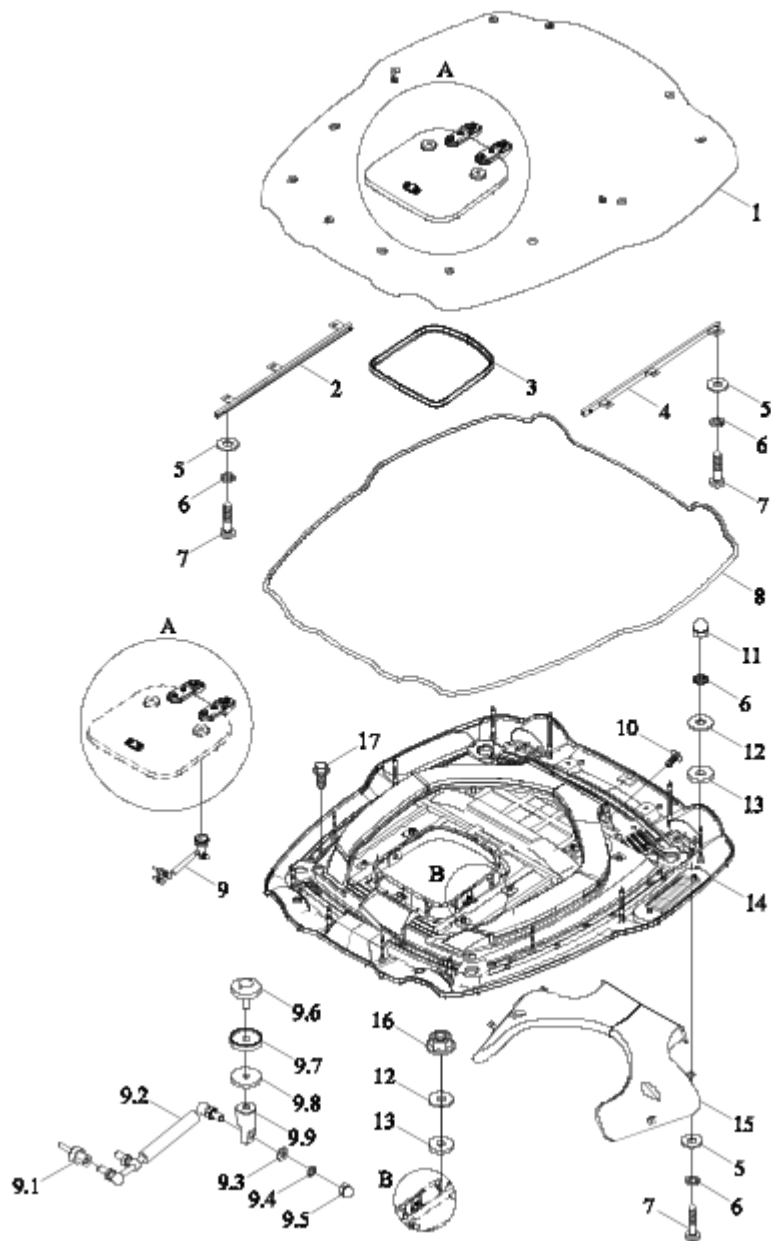
TS0445103000K DRIVER'S CAB ASSEMBLY-5



TS04451030000K DRIVER' S CAB ASSEMBLY-5

| No. | Part No. | Description | Ver- sion | QTY. | Remark |
|-----|----------------|-----------------------|--------------|------|--------|
| | TS04451030000K | DRIVER'S CAB ASSEMBLY | | 1 | |
| 1 | TS04451030002K | CAB ACCESSORY | | 1 | |
| 1.1 | TS06811010009 | GUARD RING 2 | | 1 | |
| 1.2 | TS06811010008 | GUARD RING 1 | | 1 | |
| 1.3 | TS04451017500 | RIGHT LADDER | | 1 | |
| 1.4 | TS04451010040 | HANDLE BONNET | | 1 | |
| 2 | TS04451030001K | EC NAMEPLATE CAB | | 1 | |

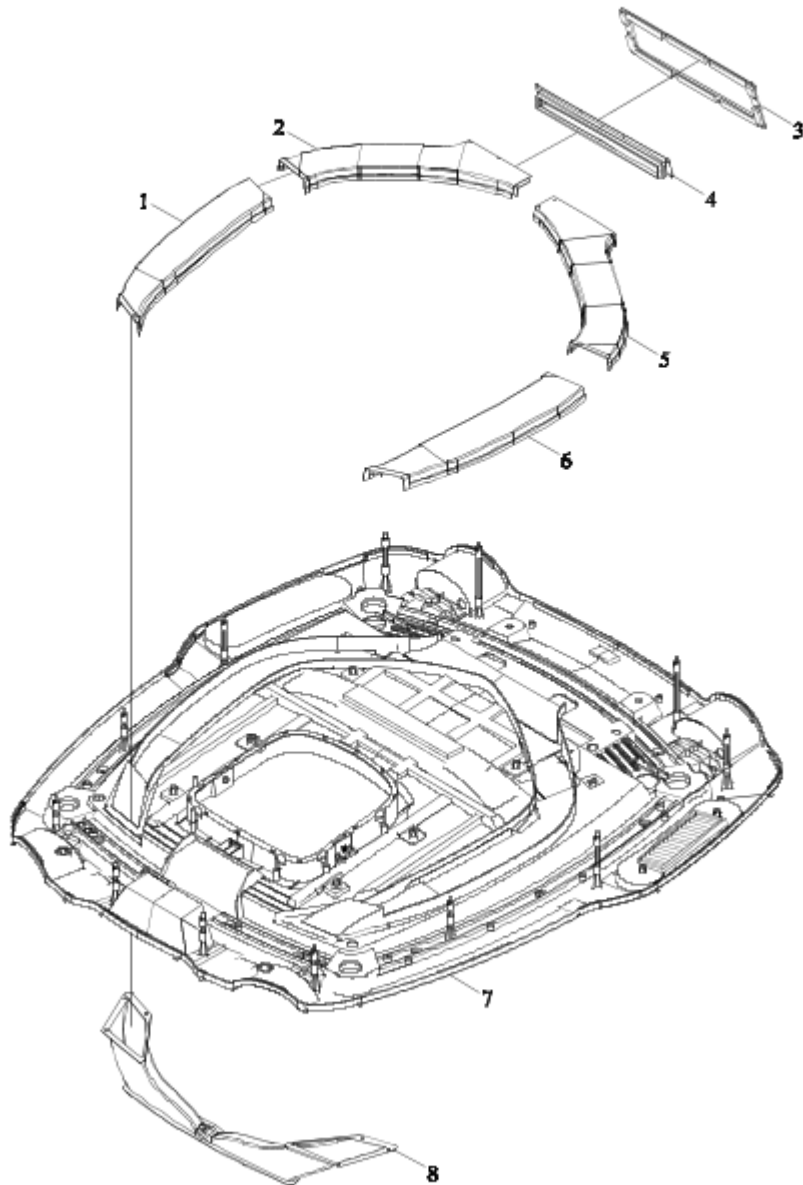
TS04451030000K DRIVER'S CAB ASSEMBLY-6



TS04451030000K DRIVER' S CAB ASSEMBLY-6

| No. | Part No. | Description | Ver- sion | QTY. | Remark |
|-----|------------------------|---|--------------|------|--------|
| | TS04451030000K | DRIVER'S CAB ASSEMBLY | | 1 | |
| | TS04453015000 | TOP COVER ASSEMBLY | | 1 | |
| 1 | TS04453015100 | OUT TOP | | 1 | |
| 2 | TS06453015800 | RIGHT SLIDEWAY | | 1 | |
| 3 | TS04453015400 | SEAL STRIP | | 1 | |
| 4 | TS06453015700 | LEFT SLIDEWAY | | 1 | |
| 5 | GBT96.1-6-A3L | BIG WASHER | | 28 | |
| 6 | GBT93-6-A3L | STANDARD SPRING WASHER | | 26 | |
| 7 | GBT818-M6X20-4.8-A2L | CROSS SCREW | | 14 | |
| 8 | TS04453015500 | TOP SEAL STRIP | | 1 | |
| 9 | TS06453015600 | PNEUMATIC SPRING IN- STALLATION ASSEMBLY | | 2 | |
| 9.1 | TS06453015602 | INSTALLATION SEAT 1 | | 1 | |
| 9.2 | TS06453015601 | PNEUMATIC SPRING | | 1 | |
| 9.3 | GBT97.1-8 | FLAT WASHER | | 1 | |
| 9.4 | GBT93-8-O | STANDARD SPRING WASHER | | 1 | |
| 9.5 | GBT923-M8-5 | CAP NUT | | 1 | |
| 9.6 | TS06453015604 | BOLT | | 1 | |
| 9.7 | TS06453015605 | FIXING SLEEVE OUT MAT | | 1 | |
| 9.8 | TS06453015606 | FIXING SLEEVE IN MAT | | 1 | |
| 9.9 | TS06453015603 | INSTALLATION SEAT 2 | | 1 | |
| 10 | Q69208 | PLASTIC SPLIT PIN | | 2 | |
| 11 | GBT923-M6-A1-50 | NUT | | 12 | |
| 12 | GBT97.1-6-A3L | FLAT WASHER | | 4 | |
| 13 | TS06453015001 | SEAL GASKET | | 18 | |
| 14 | TS04453015200 | INNER TOP AIR CONDITION | | 1 | |
| 15 | TS04453015320 | LOWER WIND WAY | | 1 | |
| 16 | GBT6177.1-M6-8-A2L | HEXAGON FLANGE NUT | | 6 | |
| 17 | GBT16674.1-M6X20-8.8-O | HEXAGON FLANGE NUT | | 16 | |

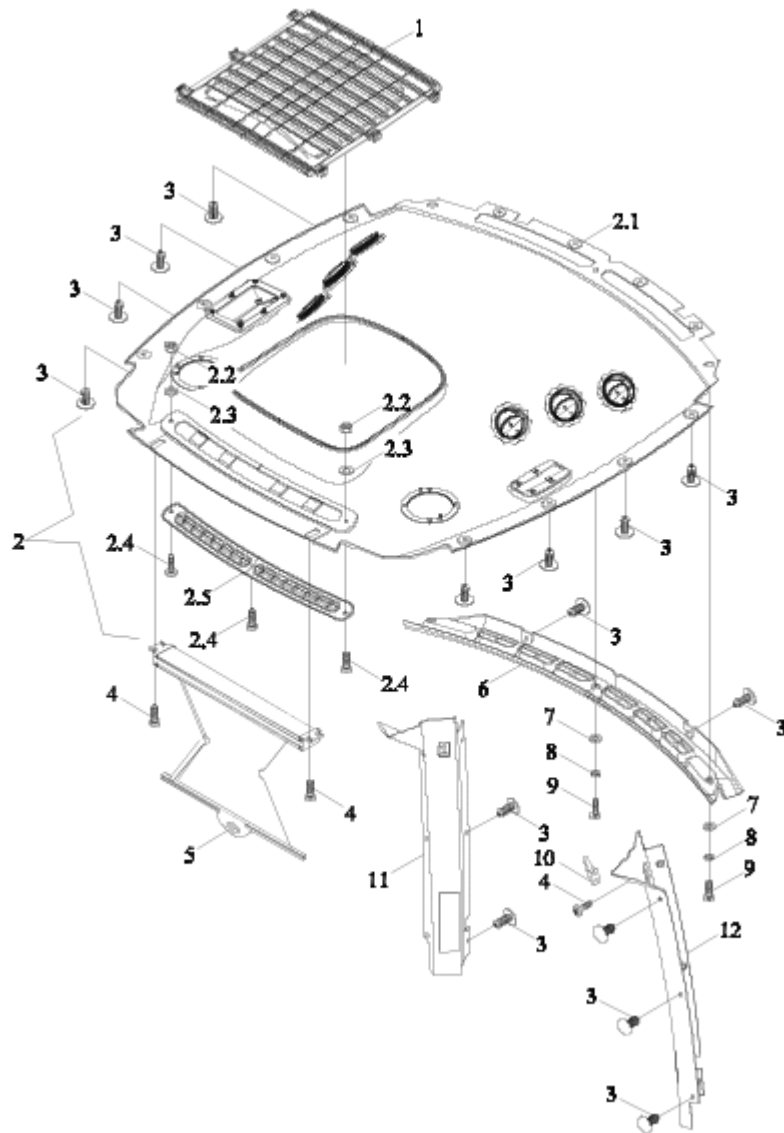
TS04451030000K DRIVER'S CAB ASSEMBLY-7



TS04451030000K DRIVER' S CAB ASSEMBLY-7

| No. | Part No. | Description | Ver- sion | QTY. | Remark |
|-----|----------------|---------------------------------------|--------------|------|--------|
| | TS04451030000K | DRIVER'S CAB ASSEMBLY | | 1 | |
| | TS04453015200 | INNER TOP AIR CONDITION | | 1 | |
| 1 | TS04453015314 | DEFROST WIND PIPE RIGHT FRONT | | 1 | |
| 2 | TS04453015315 | DEFROST WIND PIPE RIGHT BACK | | 1 | |
| 3 | TS06453015330 | WIND WAY CONNECTING PLATE WELDMENT | | 1 | |
| 4 | TS04453015316 | DEFROST WIND WAY IN MOUTH | | 1 | |
| 5 | TS04453015313 | DEFROST WIND PIPE LEFT BACK | | 1 | |
| 6 | TS04453015312 | DEFROST WIND PIPE LEFT FRONT | | 1 | |
| 7 | TS04453015201 | INNER TOP AIR CONDITION | | 1 | |
| 8 | TS04453015311 | DEFROST WIND PIPE | | 1 | |

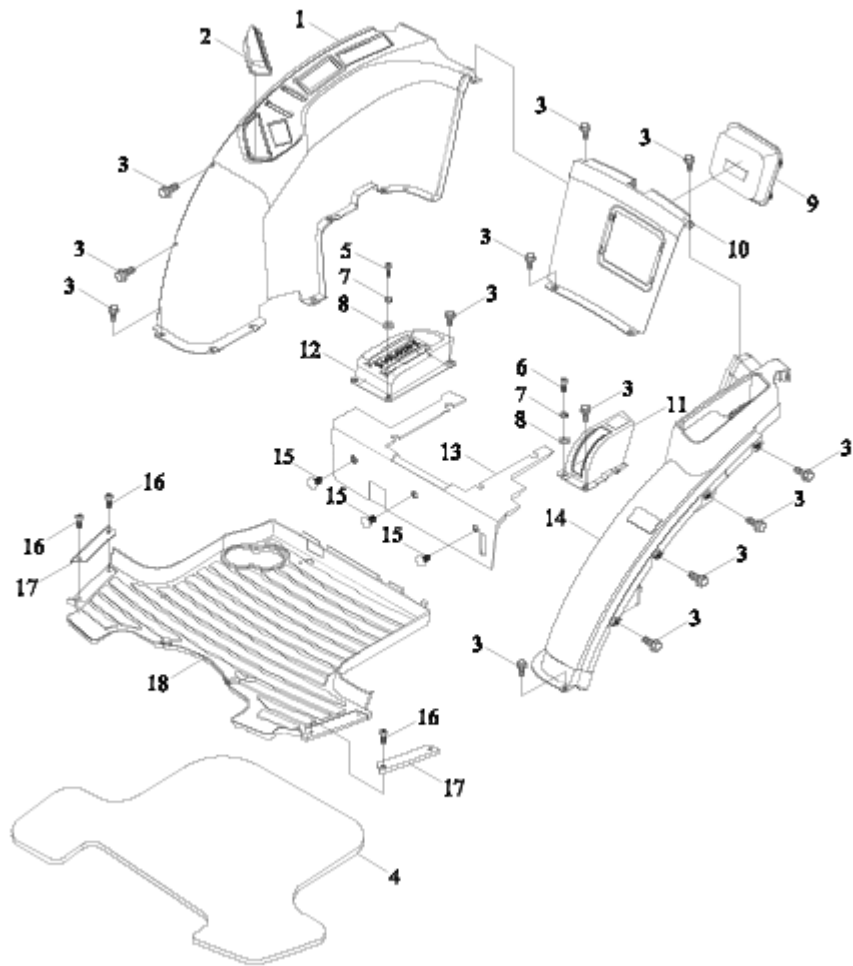
TS04453010000 UPHOLSTERY ASSEMBLY-1



TS04453010000 UPHOLSTERY ASSEMBLY-1

| No. | Part No. | Description | Ver- sion | QTY. | Remark |
|-----|--------------------|----------------------------|--------------|------|--------|
| | TS04453010000 | UPHOLSTERY ASSEMBLY | | 1 | |
| 1 | TS04453017000 | SUNSHADE BOARD ASSEMBLY | | 1 | |
| 2 | TS04453011000 | TOP UPHOLSTERY | | 1 | |
| 2.1 | TS04453011001 | TOP UPHOLSTERY | | 1 | |
| 2.2 | GBT6170-M6-8-O | HEXAGON NUT, TYPE-1 | | 2 | |
| 2.3 | GBT97.1-6-O | FLAT WASHER | | 2 | |
| 2.4 | GBT818-M6X16-4.8-O | CROSS SCREW | | 2 | |
| 2.5 | TS04453011002 | DEFROST WIND MOUTH | | 1 | |
| 3 | Q69208 | PLASTIC SPLIT PIN | | 30 | |
| 4 | GBT818-M5X25-4.8 | CROSS SCREW | | 8 | |
| 5 | TF1004.451.5-01 | SHADOW CURTAIN | | 1 | |
| 6 | TS04453016000 | WIND MOUTH | | 1 | |
| 7 | GBT96.1-6-O | BIG WASHER | | 3 | |
| 8 | GBT93-6-O | STANDARD SPRING WASHER | | 3 | |
| 9 | GBT818-M6X20-4.8-O | CROSS SCREW | | 3 | |
| 10 | TS06453010002 | CLOTHCAPHOOK | | 2 | |
| 11 | TS04453013400 | LEFT HOUSING | | 1 | |
| 12 | TS04453013500 | RIGHT HOUSING | | 1 | |

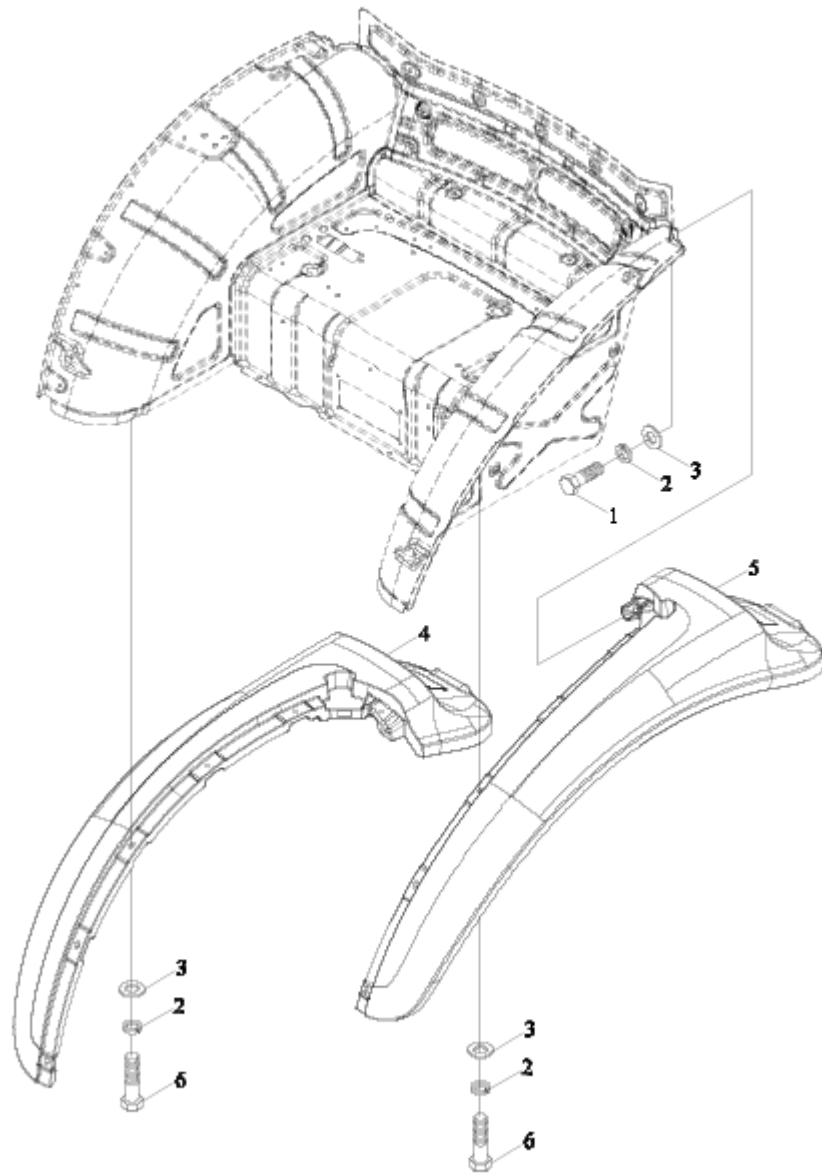
TS04453010000 UPHOLSTERY ASSEMBLY-2



TS04453010000 UPHOLSTERY ASSEMBLY-2

| No. | Part No. | Description | Version | QTY. | Remark |
|-----|------------------------|---|---------|------|--------|
| 1 | TS04453013100 | LEFT REAR MUD GUARD DECORATION PART | | 1 | |
| 2 | TS04453013600 | WATCH BONNET | | 1 | |
| 3 | GBT16674.1-M6X20-8.8-O | HEXAGON FLANGE NUT | | 28 | |
| 4 | TS04453012200 | FLOOR MAT PEDAL | | 1 | |
| 5 | GBT818-M6X25-4.8-O | CROSS SCREW | | 1 | |
| 6 | GBT818-M6X35-4.8-O | CROSS SCREW | | 1 | |
| 7 | GBT93-6-O | STANDARD SPRING WASHER | | 2 | |
| 8 | GBT96.1-6-O | BIG WASHER | | 2 | |
| 9 | TS04453013900 | COVER | | 1 | |
| 10 | TS04453013300 | INTO UPHOLSTERY | | 1 | |
| 11 | TS04453013700 | PARKING BRAKE BONNET | | 1 | |
| 12 | TS04453013800 | AUXILIARY CLUTCH BONNET | | 1 | |
| 13 | TS04453012100 | MIDDLE FLOOR MAT | | 1 | |
| 14 | TS04453013200 | RIGHT REAR MUD GUARD DECORATION PART | | 1 | |
| 15 | Q69208 | PLASTIC SPLIT PIN | | 2 | |
| 16 | GBT819.2-M6X25-A2-70 | CROSS SCREW | | 4 | |
| 17 | TS06453014000 | FLOOR MAT PRESSURE PLATE | | 2 | |
| 18 | TS04453012000 | FLOOR CUSHION | | 1 | |

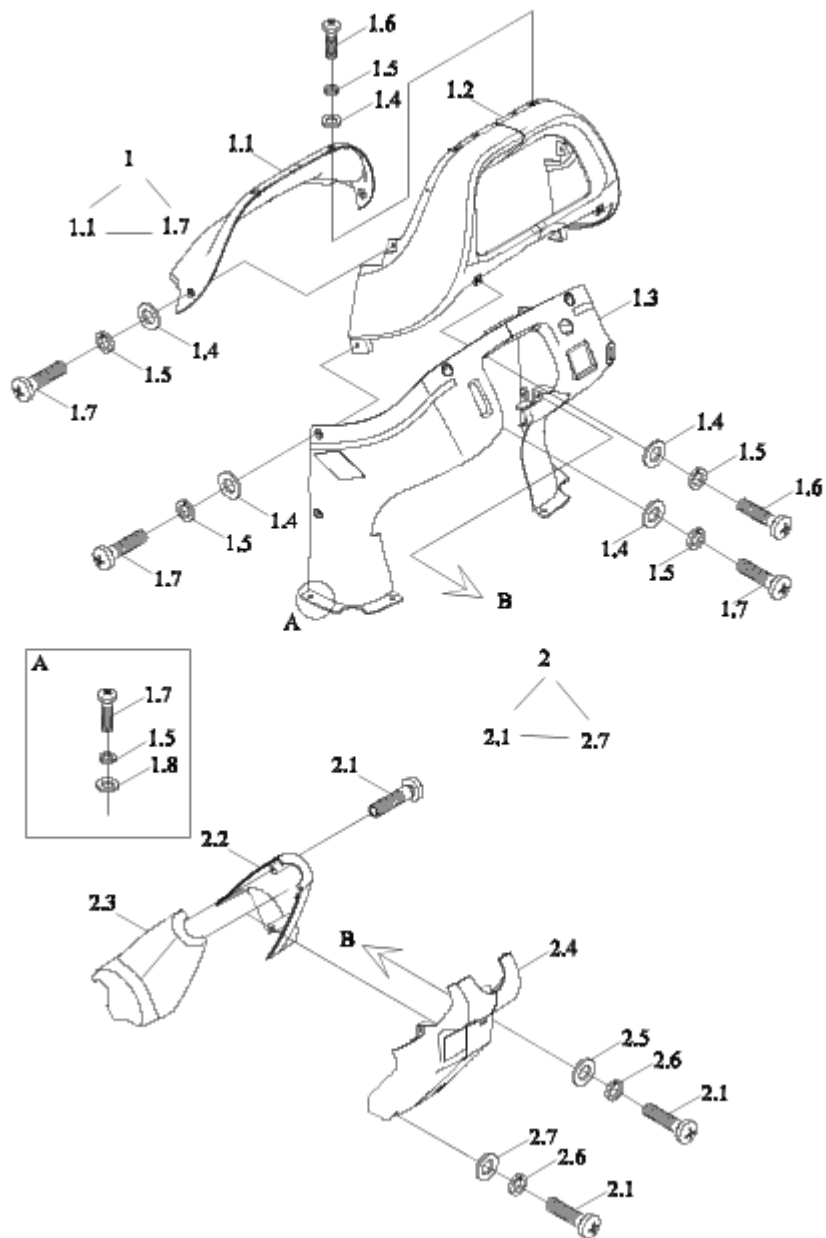
TS04455010000 BACK REAR MUD GUARD DECORATION PART



TS04455010000 BACK REAR MUD GUARD DECORATION PART

| No. | Part No. | Description | Version | QTY. | Remark |
|-----|-----------------------|---|---------|------|--------|
| | TS04455010000 | BACK REAR MUD GUARD DECORATION PART | | 1 | |
| 1 | GBT5783-M6X16-8.8-A2L | HEXAGON BOLT | | 2 | |
| 2 | GBT93-6-O | STANDARD SPRING WASHER | | 14 | |
| 3 | GBT96.1-6 | BIG WASHER | | 14 | |
| 4 | TS04455012000 | RIGHT REAR MUD GUARD DECORATION PART | | 1 | |
| 5 | TS04455011000 | LEFT REAR MUD GUARD DECORATION PART | | 1 | |
| 6 | GBT5783-M6X35-8.8-A2L | HEXAGON BOLT | | 12 | |

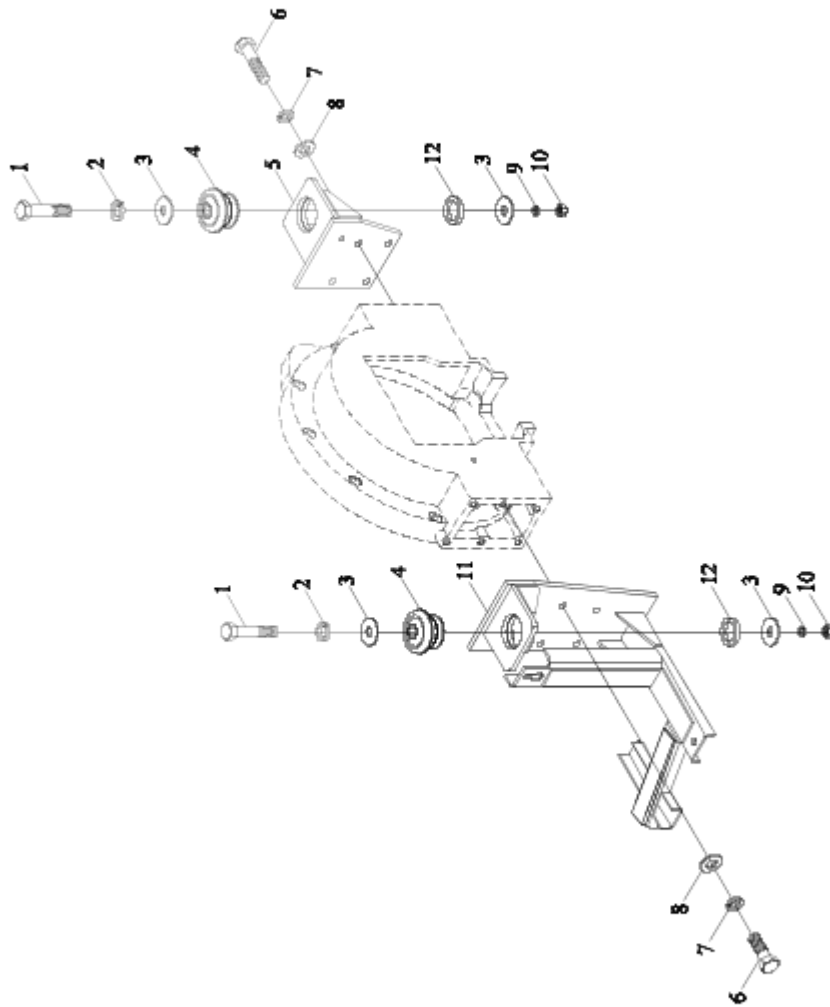
TS04456010000 DASHBOARD ASSEMBLY



TS04456010000 DASHBOARD ASSEMBLY

| No. | Part No. | Description | Ver- sion | QTY. | Remark |
|-----|--------------------|------------------------------------|--------------|------|--------|
| | TS04456010000 | DASHBOARD ASSEMBLY | | 1 | |
| 1 | TS04456010001 | DASHBOARD BOX | | 1 | |
| 1.1 | TS04456010002 | UPPER COVER | | 1 | |
| 1.2 | TS04456010003 | DASHBOARD MIDDLE COVER | | 1 | |
| 1.3 | TS04456010004 | LOWER COVER | | 1 | |
| 1.4 | GBT97.1-6-O | FLAT WASHER | | 9 | |
| 1.5 | GBT93-6-O | STANDARD SPRING WASHER | | 13 | |
| 1.6 | GBT845-ST4.8X16-O | SCREW | | 4 | |
| 1.7 | GBT818-M6X20-4.8-O | CROSS SCREW | | 13 | |
| 1.8 | GBT96.1-6-O | BIG WASHER | | 4 | |
| 2 | TS04456010005 | STEERING GEAR HOUSING | | 1 | |
| 2.1 | GBT818-M6X16-4.8-O | CROSS SCREW | | 6 | |
| 2.2 | TS06456010008 | STEERING GEAR RIGHT COVER PLATE | | 1 | |
| 2.3 | TS06456010007 | STEERING GEAR LEFT COVER PLATE | | 1 | |
| 2.4 | TS04456010006 | STEERING GEAR LOW COVER PLATE | | 1 | |
| 2.5 | GBT97.1-6-O | FLAT WASHER | | 2 | |
| 2.6 | GBT93-6-O | STANDARD SPRING WASHER | | 4 | |
| 2.7 | GBT96.1-6-O | BIG WASHER | | 2 | |

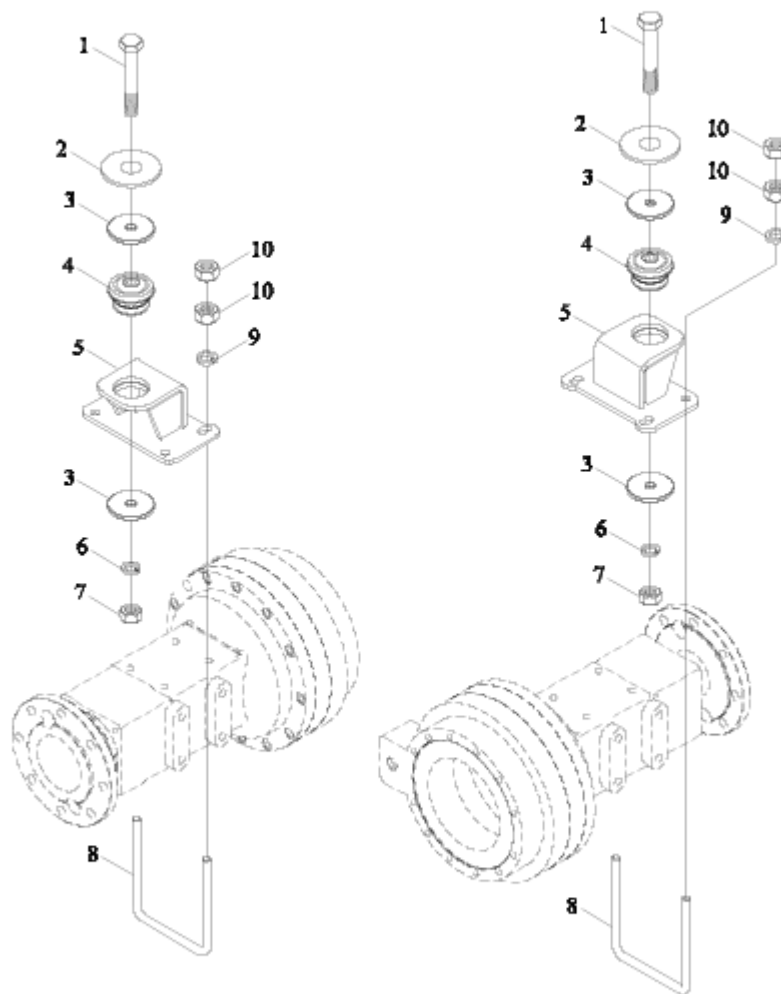
TS04457010000K FRONT CONNECTING ASSEMBLY



TS04457010000K FRONT CONNECTING ASSEMBLY

| No. | Part No. | Description | Version | QTY. | Remark |
|-----|-------------------------|---------------------------------|---------|------|--------|
| | TS04457010000K | FRONTCONNECTINGASSEMBLY | | 1 | |
| 1 | GBT5783-M16X90-10.9-A2L | HEXAGON BOLT | | 2 | |
| 2 | GBT96.1-16-A0P | BIG WASHER | | 2 | |
| 3 | TB400.457B-02 | RETAINER RING | | 4 | |
| 4 | TB400.457B-01 | SHOCK ABSORBER | | 2 | |
| 5 | TS04457040004 | RIGHT FRONT CONNECTION WELDMENT | | 1 | |
| 6 | GBT5783-M12X35-10.9-A3L | HEXAGON BOLT | | 10 | |
| 7 | GBT93-12-A0P | STANDARD SPRING WASHER | | 10 | |
| 8 | GBT97.1-12-A0P | FLAT WASHER | | 10 | |
| 9 | GBT93-16-A0P | STANDARD SPRING WASHER | | 2 | |
| 10 | GBT6170-M16-10-A3L | HEXAGON NUT, TYPE-1 | | 2 | |
| 11 | TS04457010001K | LEFT FRONT CONNECTION WELDMENT | | 1 | |
| 12 | TS04457010023 | RUBBER RING | | 2 | |

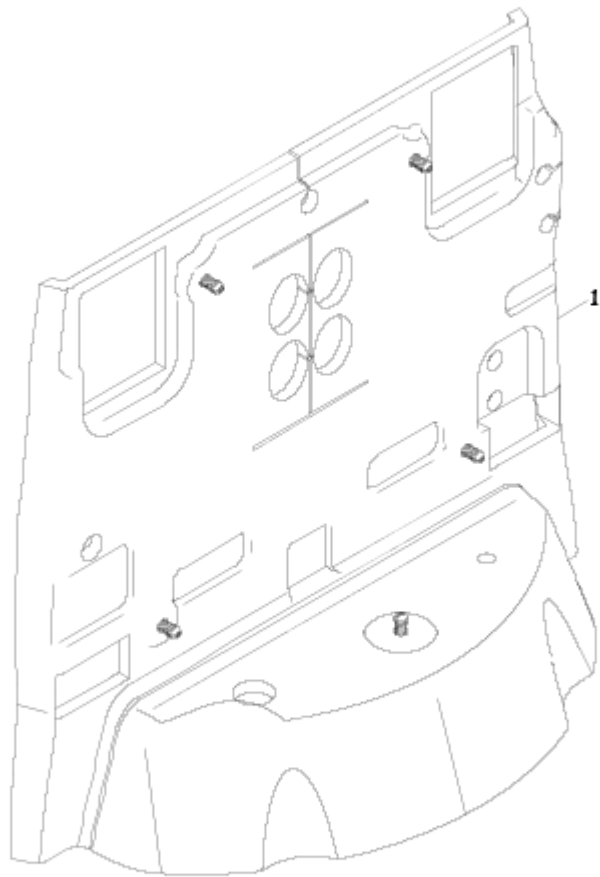
TS04458010000 REAR CONNECTING ASSEMBLY



TS04458010000 REAR CONNECTING ASSEMBLY

| No. | Part No. | Description | Version | QTY. | Remark |
|-----|-------------------------|--------------------------|---------|------|--------|
| | TS04458010000 | REARCONNECTINGASSEMBLY | | 1 | |
| 1 | GBT5783-M16X90-10.9-A2L | HEXAGON BOLT | | 2 | |
| 2 | GBT96.1-16-A0P | BIG WASHER | | 2 | |
| 3 | TB400.457B-02 | RETAINER RING | | 4 | |
| 4 | TB400.457B-01 | SHOCK ABSORBER | | 2 | |
| 5 | TS04458010001 | REAR CONNECTING WELDMENT | | 2 | |
| 6 | GBT93-16-A0P | STANDARD SPRING WASHER | | 2 | |
| 7 | GBT6170-M16-10-A3L | HEXAGON NUT, TYPE-1 | | 2 | |
| 8 | FT400.46.350 | U-BOLT | | 4 | |
| 9 | GBT97.1-14-A0P | FLAT WASHER | | 8 | |
| 10 | GBT6170-M14-8-A3L | HEXAGON NUT, TYPE-1 | | 16 | |

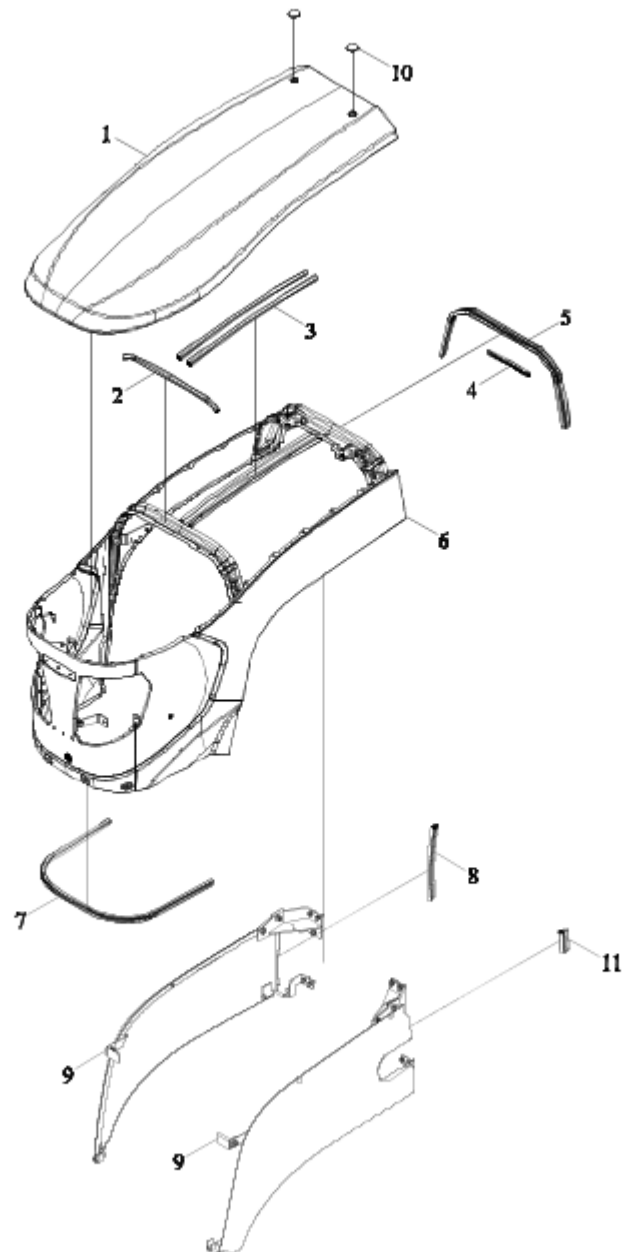
TS04459010000 INSULATION LAYER



TS04459010000 INSULATION LAYER

| No. | Part No. | Description | Version | QTY. | Remark |
|-----|---------------|------------------|---------|------|--------|
| 1 | TS04459010000 | INSULATION LAYER | | 1 | |
| | TS04459010001 | INSULATIONLAYER | | 1 | |

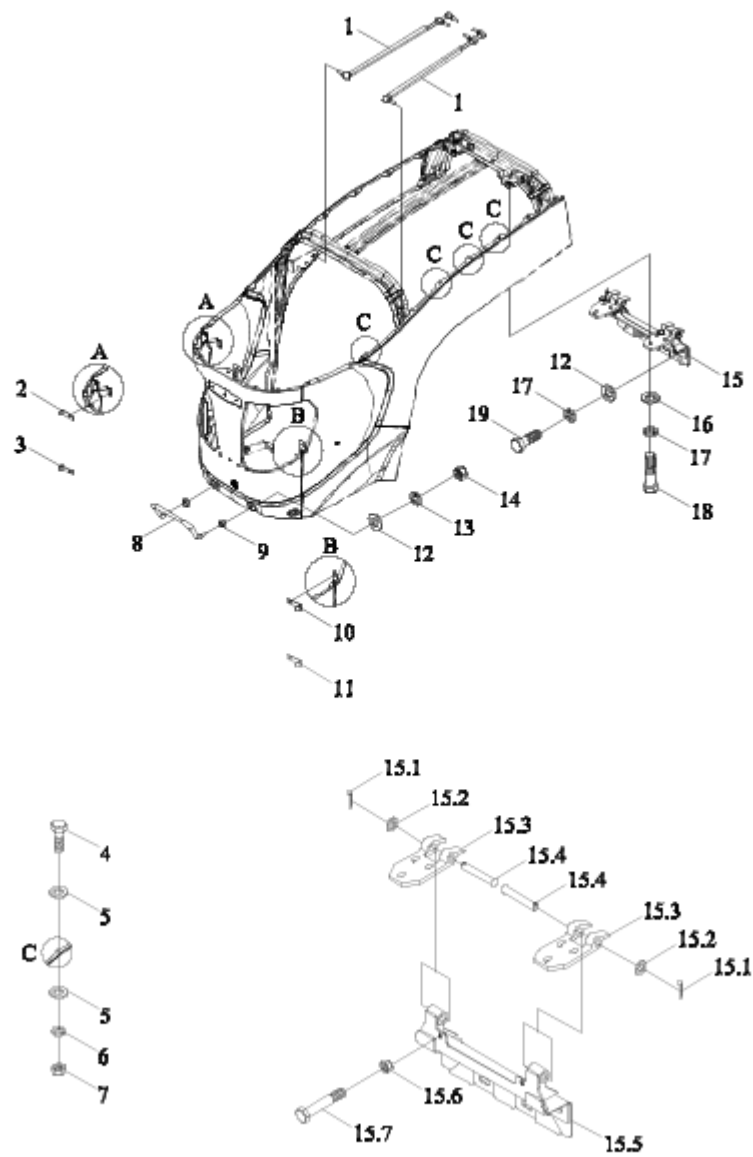
TS04471010000K BONNET ASSEMBLY-1



TS04471010000K BONNET ASSEMBLY-1

| No. | Part No. | Description | Version | QTY. | Remark |
|-----|----------------|----------------------------------|---------|------|--------|
| | TS04471010000K | BONNET ASSEMBLY | | 1 | |
| 1 | TS04471012001 | BONNET UP COVER PLATE | | 1 | |
| 2 | TS04471010007 | FRONT SHOCK WASHER | | 1 | |
| 3 | TS04471010004 | MIDDLE SHOCK WASHER | | 2 | |
| 4 | TS04471010008 | BACK SHOCK RUBBER STRIP | | 1 | |
| 5 | TS04471010001 | BONNET REAR SEAL STRIP | | 1 | |
| 6 | TS04471021000 | BONNET WELDMENT ASSEMBLY | | 1 | |
| 7 | TS04471010002 | FRONT LOWER CUSHION RUBBER PIECE | | 1 | |
| 8 | TS04471010009 | SEAL STRIP | | 1 | |
| 9 | TS04471014000K | LOWER SIDE PLATE | | 1 | |
| 10 | TS06471010005 | RUUBERPLUG | | 2 | |
| 11 | TS04471010006K | LEFT BACK SEAL STRIP | | 1 | |

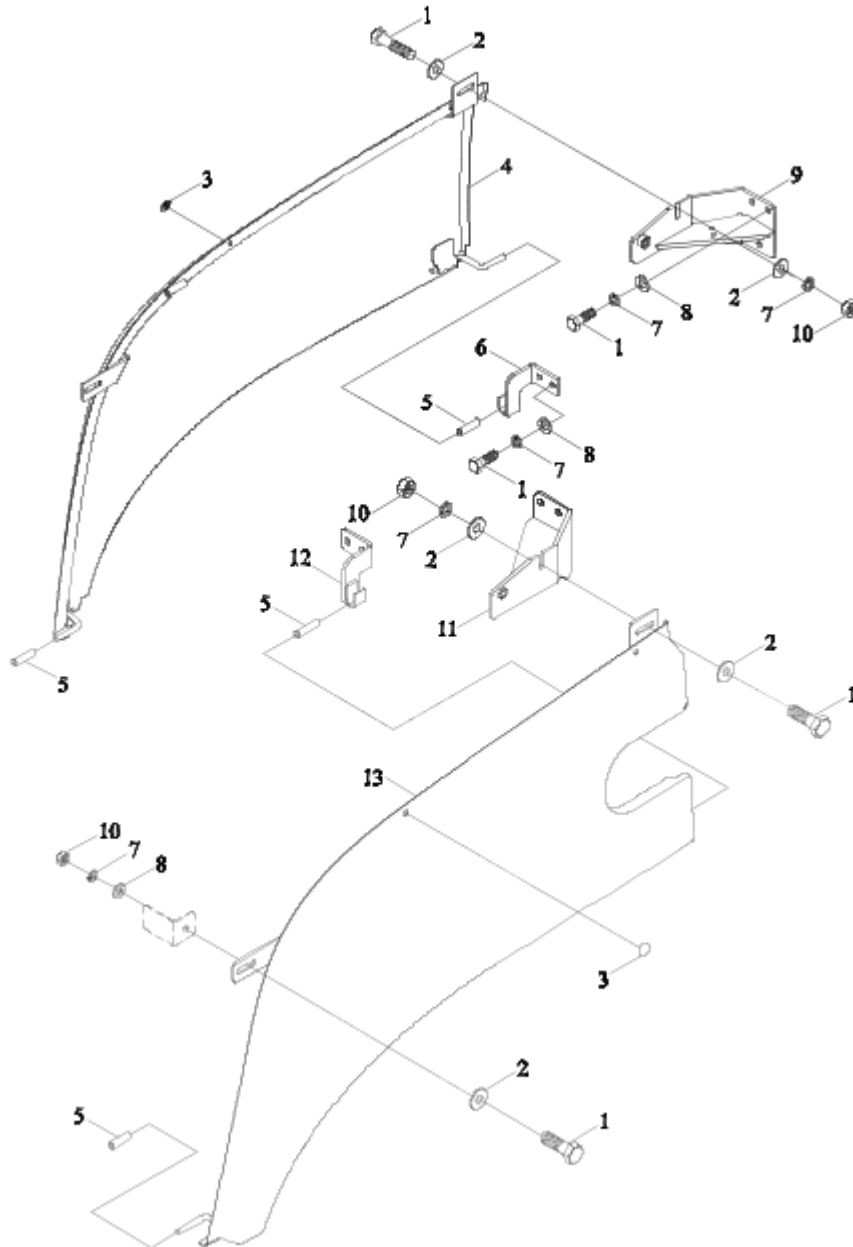
TS04471010000K BONNET ASSEMBLY-2



TS04471010000K BONNET ASSEMBLY-2

| No. | Part No. | Description | Version | QTY. | Remark |
|------|------------------------|-------------------------------------|---------|------|--------|
| | TS04471010000K | BONNET ASSEMBLY | | 1 | |
| 1 | TS04471019000 | BONNET PNEUMATIC SPRING ASSEMBLY | | 2 | |
| 2 | TS04471012004 | SUPPORT PLATE | | 1 | |
| 3 | TS04471012005 | SUPPORT PLATE | | 1 | |
| 4 | GBT5783-M6X16-8.8-A2L | HEXAGON BOLT | | 18 | |
| 5 | GBT97.1-6-A0P | FLAT WASHER | | 36 | |
| 6 | GBT93-6-A0P | STANDARD SPRING WASHER | | 18 | |
| 7 | GBT6170-M6-8-A2L | HEXAGON NUT, TYPE-1 | | 18 | |
| 8 | TS04471010003 | HANDLE | | 1 | |
| 9 | TD800.471A-05 | WASHER | | 2 | |
| 10 | TS04471012002 | SUPPORT PLATE | | 1 | |
| 11 | TS04471012003 | SUPPORT PLATE | | 1 | |
| 12 | GBT97.1-12-A0P | FLAT WASHER | | 5 | |
| 13 | GBT93-12-A0P | STANDARD SPRING WASHER | | 5 | |
| 14 | GBT6170-M12-8-A3L | HEXAGON NUT, TYPE-1 | | 2 | |
| 15 | TS04471013000 | BONNET HINGE ASSEMBLY | | 1 | |
| 15.1 | GBT91-5X32-A0P | SPLIT PIN | | 2 | |
| 15.2 | GBT97.1-16-A0P | FLAT WASHER | | 2 | |
| 15.3 | FT800B.47B.161 | HINGE UPPER SEAT | | 2 | |
| 15.4 | GBT882-B16X90-A0P | PIN SHAFT | | 2 | |
| 15.5 | TS04471013001 | BONNET LOW BRACKET WELDMENT | | 1 | |
| 15.6 | GBT6170-M8-8-A2L | HEXAGON NUT, TYPE-1 | | 2 | |
| 15.7 | GBT5783-M8X50-8.8-A2L | HEXAGON BOLT | | 2 | |
| 16 | GBT97.1-10-A0P | FLAT WASHER | | 6 | |
| 17 | GBT93-10-A0P | STANDARD SPRING WASHER | | 6 | |
| 18 | GBT5783-M10X35-8.8-A3L | HEXAGON BOLT | | 6 | |
| 19 | GBT5783-M12X35-8.8-A3L | HEXAGON BOLT | | 3 | |

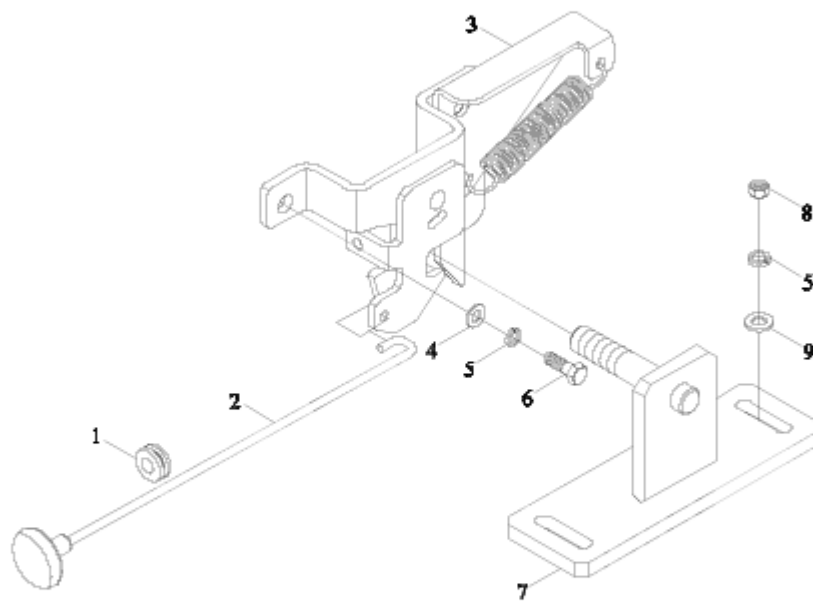
TS04471010000K BONNET ASSEMBLY-3



TS04471010000K BONNET ASSEMBLY-3

| No. | Part No. | Description | Ver- sion | QTY. | Remark |
|-----|-----------------------|--|--------------|------|--------|
| | TS04471010000k | BONNET ASSEMBLY | | 1 | |
| 1 | GBT5783-M8X25-8.8-A2L | HEXAGON BOLT | | 14 | |
| 2 | GBT96.1-8-A0P | BIG WASHER | | 6 | |
| 3 | TS06471014003 | PROCESS PLUG COVER | | 4 | |
| 4 | TS04471024200 | SIDE PLATE RIGHT LOWER | | 1 | |
| 5 | TS06471014002 | GUM COVER | | 4 | |
| 6 | TS04471014004 | FIXING SEAT WELDMENT RIGHT BACK LOWER | | 1 | |
| 7 | GBT97.1-8-A0P | FLAT WASHER | | 12 | |
| 8 | GBT93-8-A0P | STANDARD SPRING WASHER | | 14 | |
| 9 | TS04471014003 | FIXING SEAT WELDMENT RIGHT BACK UP | | 1 | |
| 10 | GBT6170-M8-8-A2L | HEXAGON NUT, TYPE-1 | | 4 | |
| 11 | TS04471014001 | FIXING SEAT WELDMENT LEFT BACK UP | | 1 | |
| 12 | TS04471014002 | FIXING SEAT WELDMENT LEFT BACK LOWER | | 1 | |
| 13 | TS04471014100K | SIDE PLATE LEFT LOWER | | 1 | |

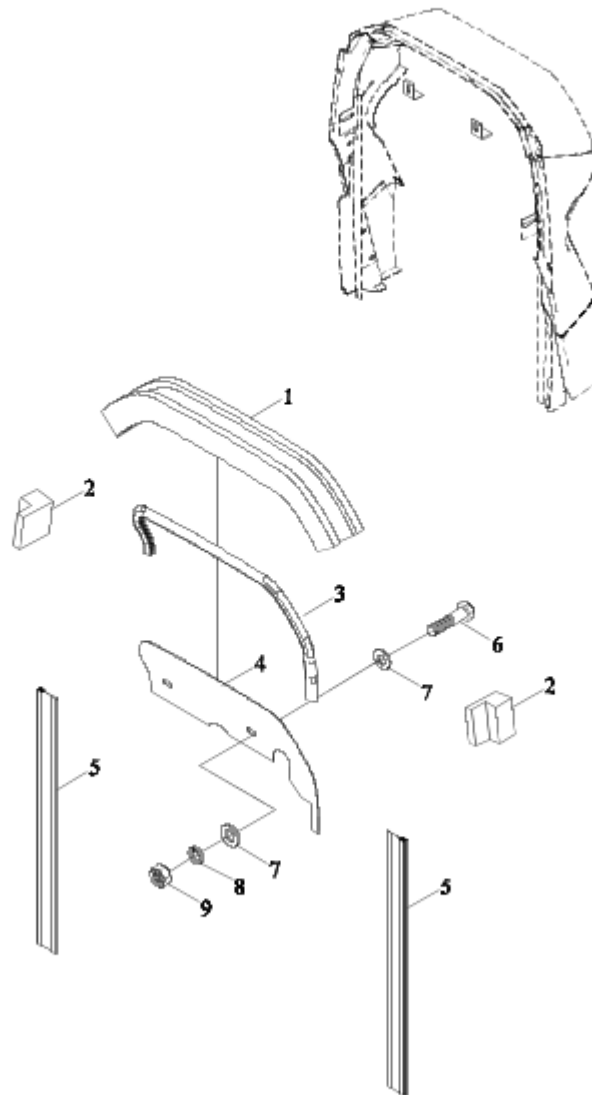
TS0447301000 BONNET LOCKING DEVICE ASSEMBLY



TS04473010000 BONNET LOCKING DEVICE ASSEMBLY

| No. | Part No. | Description | Version | QTY. | Remark |
|-----|-----------------------|--------------------------------|---------|------|--------|
| | TS04473010000 | BONNET LOCKING DEVICE ASSEMBLY | | 1 | |
| 1 | TB450.473-02 | RUBBER RING | | 1 | |
| 2 | TS04473010006 | PULL ROD | | 1 | |
| 3 | TS06473010002 | BONNET LOCK | | 1 | |
| 4 | GBT97.1-8-A0P | FLAT WASHER | | 3 | |
| 5 | GBT93-8-A0P | STANDARD SPRING WASHER | | 5 | |
| 6 | GBT5783-M8X25-8.8-A2L | HEXAGON BOLT | | 3 | |
| 7 | TS04473010001 | BONNET LOCK COLUMN WELDMENT | | 1 | |
| 8 | GBT6170-M8-8-A2L | HEXAGON NUT, TYPE-1 | | 2 | |
| 9 | GBT96.1-8-A0P | BIG WASHER | | 2 | |

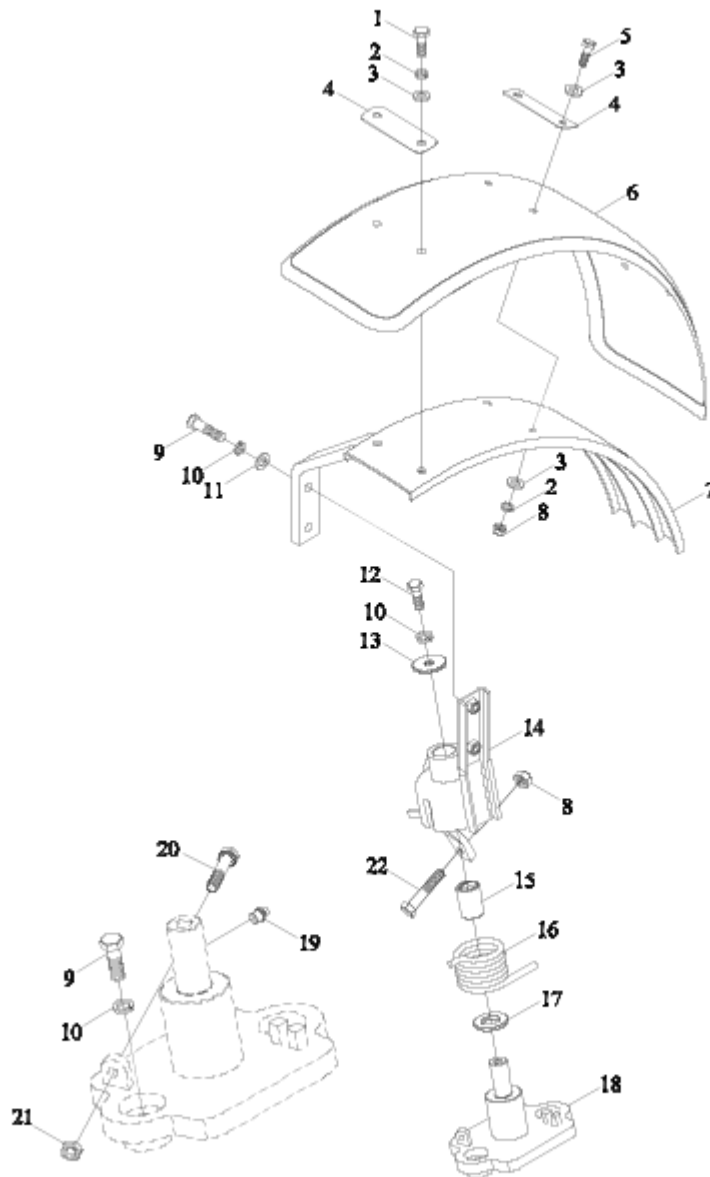
TS04475010000K BONNET SEAL INSTALLATION ASSEMBLY



TS04475010000K BONNET SEAL INSTALLATION ASSEMBLY

| No. | Part No. | Description | Version | QTY. | Remark |
|-----|-----------------------|-----------------------------------|---------|------|--------|
| | TS04475010000K | BONNET SEAL INSTALLATION ASSEMBLY | | 1 | |
| 1 | TS04475030002 | UP SEAL COTTON | | 1 | |
| 2 | TS04475030001 | SEAL COTTON | | 2 | |
| 3 | TS04475010004K | SEAL STRIP | | 1 | |
| 4 | TS04475010003K | SEAL SPACER PLATE | | 1 | |
| 5 | TS04475010005K | SEAL STRIP | | 2 | |
| 6 | GBT5783-M8X25-8.8-A2L | HEXAGON BOLT | | 2 | |
| 7 | GBT97.1-8-A0P | FLAT WASHER | | 4 | |
| 8 | GBT93-8-A0P | STANDARD SPRING WASHER | | 2 | |
| 9 | GBT6170-M8-8-A2L | HEXAGON NUT, TYPE-1 | | 2 | |

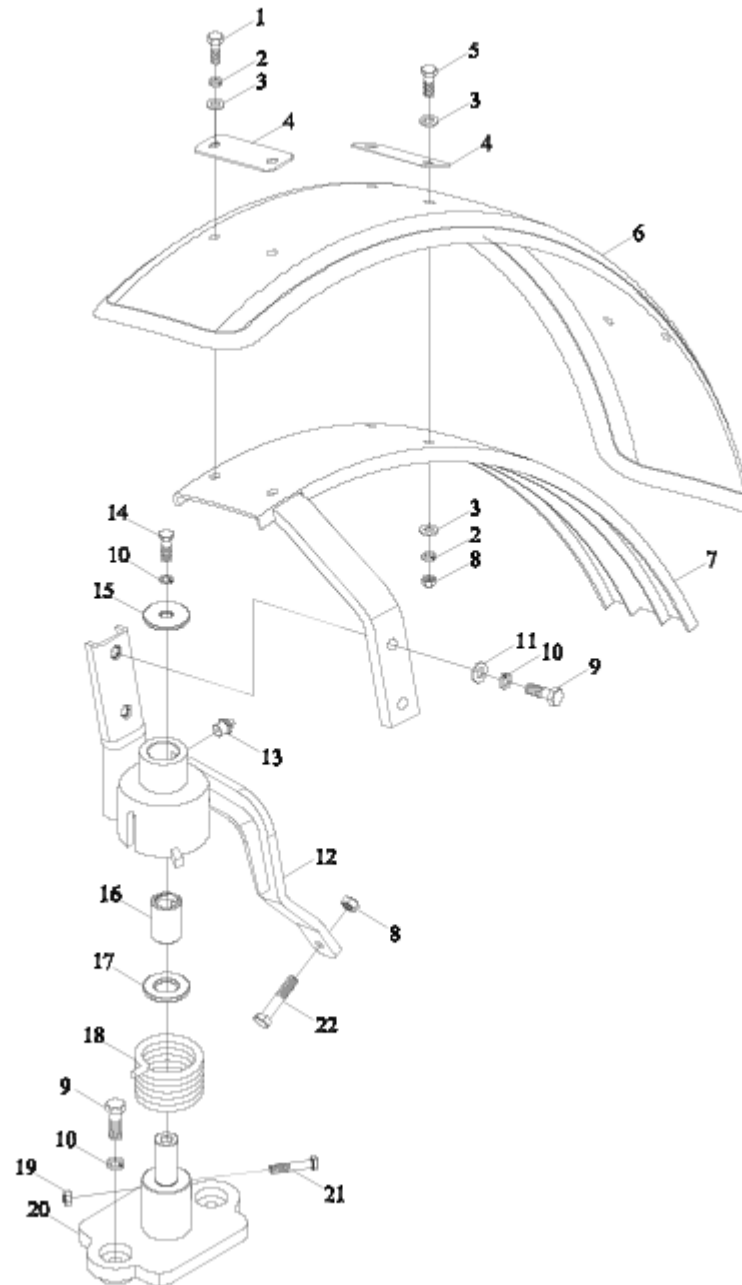
TB400. 475A LEFT FRONT MUD GUARD ASSEMBLY



TB400. 475A LEFT FRONT MUD GUARD ASSEMBLY

| No. | Part No. | Description | Version | QTY. | Remark |
|-----|-------------------------|----------------------------------|---------|------|--------|
| | TB400.475A | LEFT FRONT MUD GUARD ASSEMBLY | | 1 | |
| 1 | GBT5783-M10X35-8.8-A3L | HEXAGON BOLT | | 2 | |
| 2 | GBT93-10-A0P | STANDARD SPRING WASHER | | 6 | |
| 3 | GBT97.1-10-A0P | FLAT WASHER | | 10 | |
| 4 | TB400.475A-04 | STRENGTHENPLATE | | 3 | |
| 5 | GBT5783-M10X30-8.8-A3L | HEXAGON BOLT | | 4 | |
| 6 | TB400.475A-03 | LEFT FRONT MUD GUARD | | 1 | |
| 7 | TB400.475A.2 | UPPER BRACKET WELDMENT | | 1 | |
| 8 | GBT6170-M10-8-A3L | HEXAGON NUT, TYPE-1 | | 5 | |
| 9 | GBT5783-M12X40-8.8-A3L | HEXAGON BOLT | | 4 | |
| 10 | GBT93-12-A0P | STANDARD SPRING WASHER | | 5 | |
| 11 | GBT97.1-12-A0P | FLAT WASHER | | 2 | |
| 12 | GBT5783-M12X30-10.9-A3L | HEXAGON BOLT | | 1 | |
| 13 | TB400.475-07 | WASHER 2 | | 1 | |
| 14 | TB400.475A.3 | LOWER BRACKET WELDMENT | | 1 | |
| 15 | TB400.475A-01 | BUSH | | 1 | |
| 16 | TB400.475A-02 | LEFT TORQUE SPRING | | 1 | |
| 17 | TB400.475-06 | WASHER | | 1 | |
| 18 | TB400.475A.1 | LEFT INSTALLATION PLATE WELDMENT | | 1 | |
| 19 | JBT7940.1-M10X1 | STRAIGHT FORCED FILLING OIL CUP | | 1 | |
| 20 | GBT5783-M8X45-8.8-A2L | HEXAGON BOLT | | 1 | |
| 21 | GBT6170-M8-8-A2L | HEXAGON NUT, TYPE-1 | | 1 | |
| 22 | GBT5783-M10X55-8.8-A2L | HEXAGON BOLT | | 1 | |

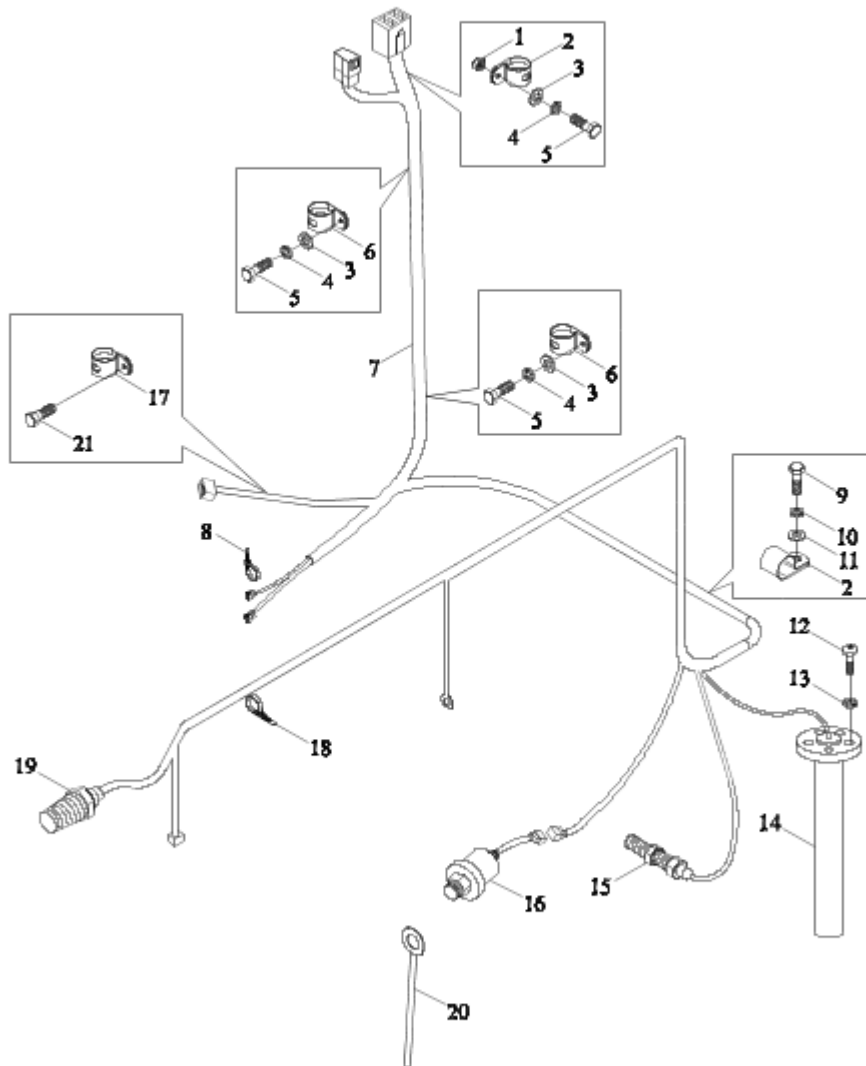
TB400. 476A RIGHT FRONT MUD GUARD ASSEMBLY



TB400. 476A RIGHT FRONT MUD GUARD ASSEMBLY

| No. | Part No. | Description | Ver- sion | QTY. | Remark |
|-----|-------------------------|---|--------------|------|--------|
| | TB400.476A | RIGHT FRONT MUD GUARD ASSEMBLY | | 1 | |
| 1 | GBT5783-M10X35-8.8-A3L | HEXAGON BOLT | | 2 | |
| 2 | GBT93-10-A0P | STANDARD SPRING WASHER | | 6 | |
| 3 | GBT97.1-10-A0P | FLAT WASHER | | 10 | |
| 4 | TB400.475A-04 | STRENGTHENPLATE | | 3 | |
| 5 | GBT5783-M10X30-8.8-A3L | HEXAGON BOLT | | 4 | |
| 6 | TB400.475A-03 | LEFT FRONT MUD GUARD | | 1 | |
| 7 | TB400.476A.2 | UPPER BRACKET WELDMENT | | 1 | |
| 8 | GBT6170-M10-8-A3L | HEXAGON NUT, TYPE-1 | | 5 | |
| 9 | GBT5783-M12X40-8.8-A3L | HEXAGON BOLT | | 4 | |
| 10 | GBT93-12-A0P | STANDARD SPRING WASHER | | 5 | |
| 11 | GBT97.1-12-A0P | FLAT WASHER | | 2 | |
| 12 | TB400.476A.3 | LOWER BRACKET WELDMENT | | 1 | |
| 13 | JBT7940.1-M10X1 | STRAIGHT-THROUGH TYPE PRESSURE LIVE OIL CUP | | 1 | |
| 14 | GBT5783-M12X30-10.9-A3L | HEXAGON BOLT | | 1 | |
| 15 | TB400.475-07 | WASHER 2 | | 1 | |
| 16 | TB400.475A-01 | BUSH | | 1 | |
| 17 | TB400.475-06 | WASHER | | 1 | |
| 18 | TB400.476A-01 | RIGHT TORSION SPRING | | 1 | |
| 19 | GBT6170-M8-8-A2L | HEXAGON NUT, TYPE-1 | | 1 | |
| 20 | TB400.476A.1 | RIGHT INSTALLATION PLATE WELDMENT | | 1 | |
| 21 | GBT5783-M8X45-8.8-A2L | HEXAGON BOLT | | 1 | |
| 22 | GBT5783-M10X55-8.8-A2L | HEXAGON BOLT | | 1 | |

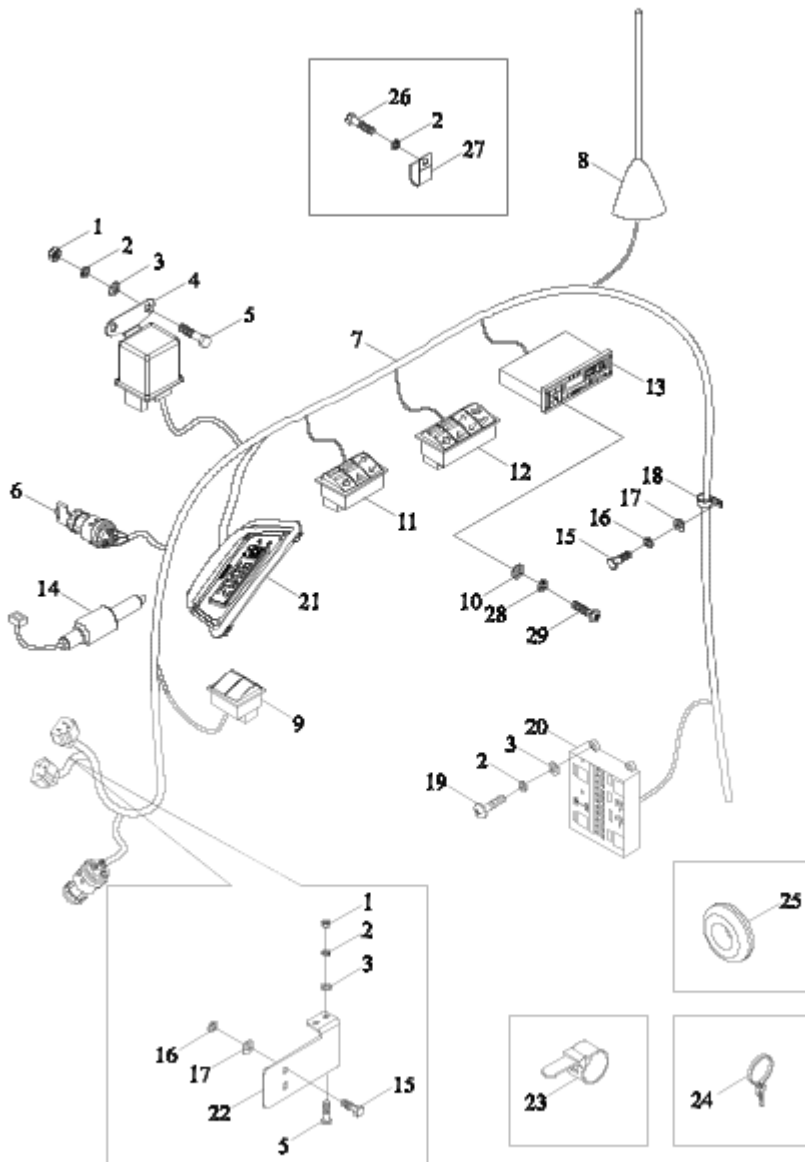
TS04481030000K ENGINE HARNESS INSTALLATION ASSEMBLY



TS0448103000K ENGINE HARNESS INSTALLATION ASSEMBLY

| No. | Part No. | Description | Version | QTY. | Remark |
|-----|------------------------|--------------------------------------|---------|------|--------|
| | TS0448103000K | ENGINE HARNESS INSTALLATION ASSEMBLY | | 1 | |
| 1 | GBT6170-M8-8-A2L | HEXAGON NUT, TYPE-1 | | 3 | |
| 2 | TF1204.481B-01 | HARNESS TIGHTEN CLIP | | 2 | |
| 3 | GBT97.1-8-A0P | FLAT WASHER | | 3 | |
| 4 | GBT93-8-A0P | STANDARD SPRING WASHER | | 3 | |
| 5 | GBT5783-M8X25-8.8-A2L | HEXAGON BOLT | | 3 | |
| 6 | TS06482010005 | HARNESS TIGHTEN CLIP | | 2 | |
| 7 | TS04481030001K | ENGINE HARNESS ASSEMBLY | | 1 | |
| 8 | Q67405400 | PLASTIC FASTENING STRIP | | 2 | |
| 9 | GBT5783-M10X20-8.8-A3L | HEXAGON BOLT | | 2 | |
| 10 | GBT93-10-A0P | STANDARD SPRING WASHER | | 2 | |
| 11 | GBT97.1-10-A0P | FLAT WASHER | | 2 | |
| 12 | GBT818-M4X10-4.8-A2L | CROSS SCREW | | 5 | |
| 13 | GBT93-4-A0P | STANDARD SPRING WASHER | | 5 | |
| 14 | TS04481010002 | OIL QUANTITY SENSOR ASSEMBLY | | 1 | |
| 15 | TS10481010002 | RPM SENSOR | | 1 | |
| 16 | FT65.48.073a | OIL PRESSURE ALARM | | 1 | |
| 17 | FT65.48.095 | HARNESS FIXING CLAMP | | 3 | |
| 18 | Q67405100 | PLASTIC FASTENING STRIP | | 1 | |
| 19 | FT65.48.072 | WATER TEMPERATURE SENSOR | | 1 | |
| 20 | TS04481010003 | GROUNDING WIRE | | 1 | |
| 21 | GBT5783-M8X16-8.8-A2L | HEXAGON BOLT | | 1 | |

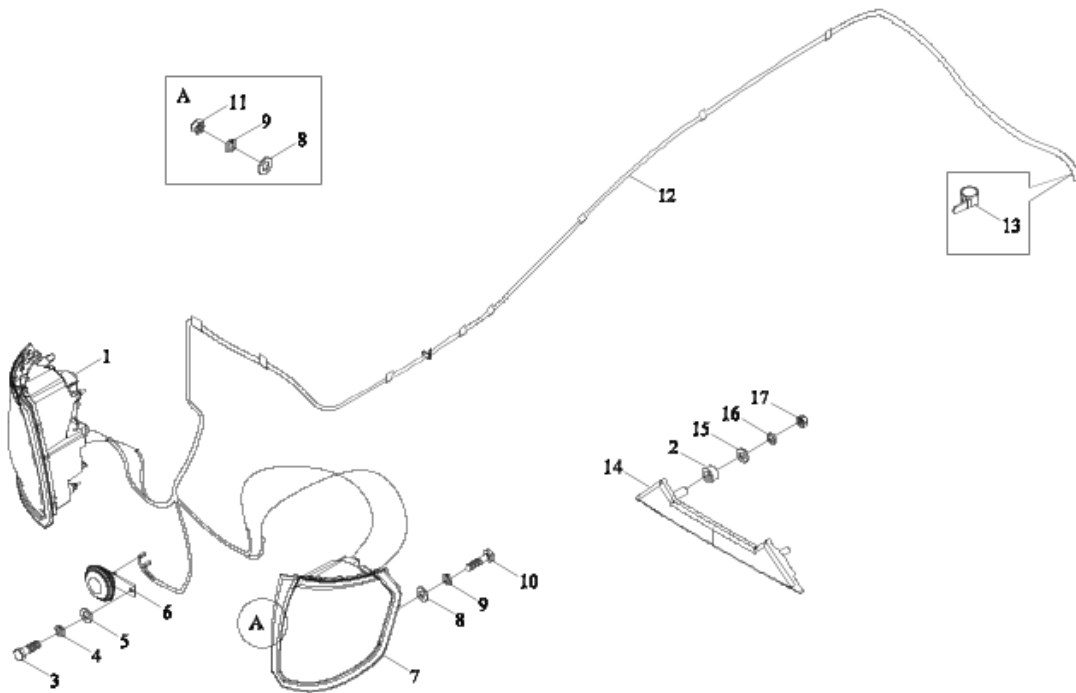
TS04482050000K BODY HARNESS INSTALLATION ASSEMBLY



TS04482050000K BODY HARNESS INSTALLATION ASSEMBLY

| No. | Part No. | Description | Version | QTY. | Remark |
|-----|-----------------------|------------------------------------|---------|------|--------|
| | TS04482050000K | BODY HARNESS INSTALLATION ASSEMBLY | | 1 | |
| 1 | GBT6170-M6-8-A2L | HEXAGON NUT, TYPE-1 | | 4 | |
| 2 | GBT93-6-A0P | STANDARD SPRING WASHER | | 10 | |
| 3 | GBT97.1-6-A0P | FLAT WASHER | | 8 | |
| 4 | FT300.48.055 | STARTING RELAY | | 1 | |
| 5 | GBT5783-M6X20-8.8-A2L | HEXAGON BOLT | | 4 | |
| 6 | TB550.482.3 | IGNITION LOCK | | 1 | |
| 7 | TS04482050001K | BODY HARNESS ASSEMBLY | | 1 | |
| 8 | TS04482010002 | ANTENNAWIRE | | 1 | |
| 9 | TS04482010006 | TWO GANG PADDLE SWITCH | | 1 | |
| 10 | GBT97.1-3-A0P | FLAT WASHER | | 4 | |
| 11 | TS04482010003 | 3-GANG PADDLE SWITCH | | 1 | |
| 12 | TS04482050003K | FIVE ROCKER SWITCH | | 1 | |
| 13 | TS04482010010 | MP3 PLAYER | | 1 | |
| 14 | TB550.484.2 | BRAKE LIGHT SWITCH | | 2 | |
| 15 | GBT5783-M8X25-8.8-A2L | HEXAGON BOLT | | 4 | |
| 16 | GBT93-8-A0P | STANDARD SPRING WASHER | | 4 | |
| 17 | GBT97.1-8-A0P | FLAT WASHER | | 4 | |
| 18 | TS06482010005 | HARNESS TIGHTEN CLIP | | 3 | |
| 19 | GBT818-M6X20-4.8-A2L | CROSS SCREW | | 4 | |
| 20 | TS04482050002K | CENTRAL ELECTRICAL BOX ASSEMBLY | | 1 | |
| 21 | TS04482010004 | WATCH | | 1 | |
| 22 | TS04482010009 | FIXED PLATE | | 1 | |
| 23 | 3203505D9-L | TIE | | 17 | |
| 24 | Q67405200 | PLASTIC FASTENING STRIP | | 4 | |
| 25 | TS04482010008 | RUBBER RING | | 1 | |
| 26 | GBT5783-M6X12-8.8-A2L | HEXAGON BOLT | | 2 | |
| 27 | FT65.48.095 | HARNESS FIXING CLAMP | | 2 | |
| 28 | GBT93-3-A0P | STANDARD SPRING WASHER | | 4 | |
| 29 | GBT818-M3X10-4.8-A2L | CROSS SCREW | | 4 | |

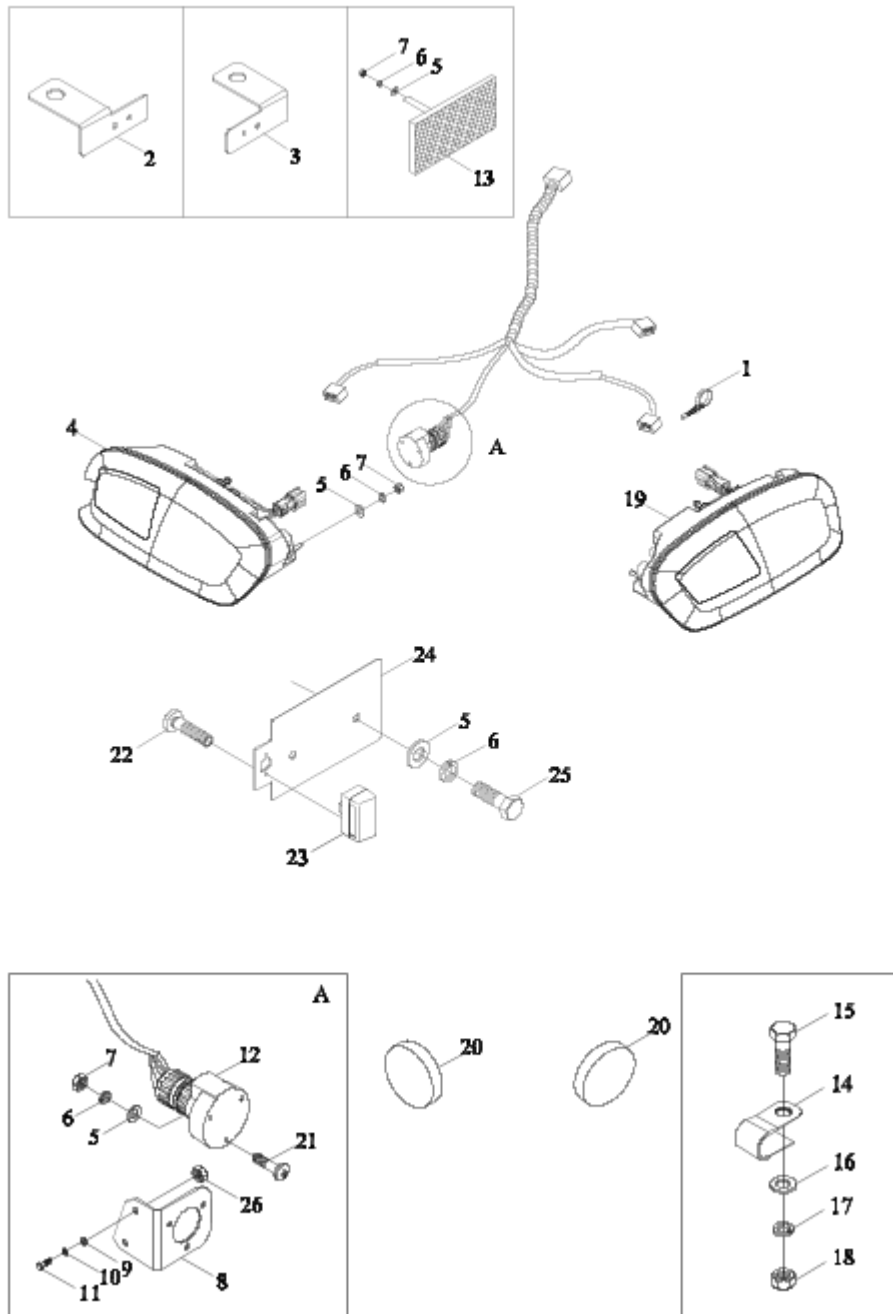
TS04483020000K FRONT LAMP HARNESS INSTALLATION ASSEMBLY



TS04483020000K FRONT LAMP HARNESS INSTALLATION ASSEMBLY

| No. | Part No. | Description | Version | QTY. | Remark |
|-----|-----------------------|---|---------|------|--------|
| | TS04483020000K | FRONT LAMP HARNESS INSTALLATION ASSEMBLY | | 1 | |
| 1 | TS04483010004 | RIGHT FRONT BIG LAMP ASSEMBLY | | 1 | |
| 2 | TS04483010007 | WASHER | | 2 | |
| 3 | GBT5783-M8X25-8.8-A2L | HEXAGON BOLT | | 1 | |
| 4 | GBT93-8-A0P | STANDARD SPRING WASHER | | 1 | |
| 5 | GBT97.1-8-A0P | FLAT WASHER | | 1 | |
| 6 | TD800.483B.3 | ELECTRIC HORN | | 1 | |
| 7 | TS04483010003 | LEFT FRONT BIG LAMP ASSEMBLY | | 1 | |
| 8 | GBT97.1-6-A0P | FLAT WASHER | | 8 | |
| 9 | GBT93-6-A0P | STANDARD SPRING WASHER | | 8 | |
| 10 | GBT818-M6X20-4.8-A2L | CROSS SCREW | | 4 | |
| 11 | GBT6170-M6-8-A2L | HEXAGON NUT, TYPE-1 | | 4 | |
| 12 | TS04483010001 | FRONT LAMP HARNESS ASSEMBLY | | 1 | |
| 13 | FT65.48.095 | HARNESS FIXING CLAMP | | 7 | |
| 14 | TS04483010005 | ADORNING STRIP | | 1 | |
| 15 | GBT97.1-5-A0P | FLAT WASHER | | 2 | |
| 16 | GBT93-5-A0P | STANDARD SPRING WASHER | | 2 | |
| 17 | GBT6170-M5-8-A2L | HEXAGON NUT, TYPE-1 | | 2 | |

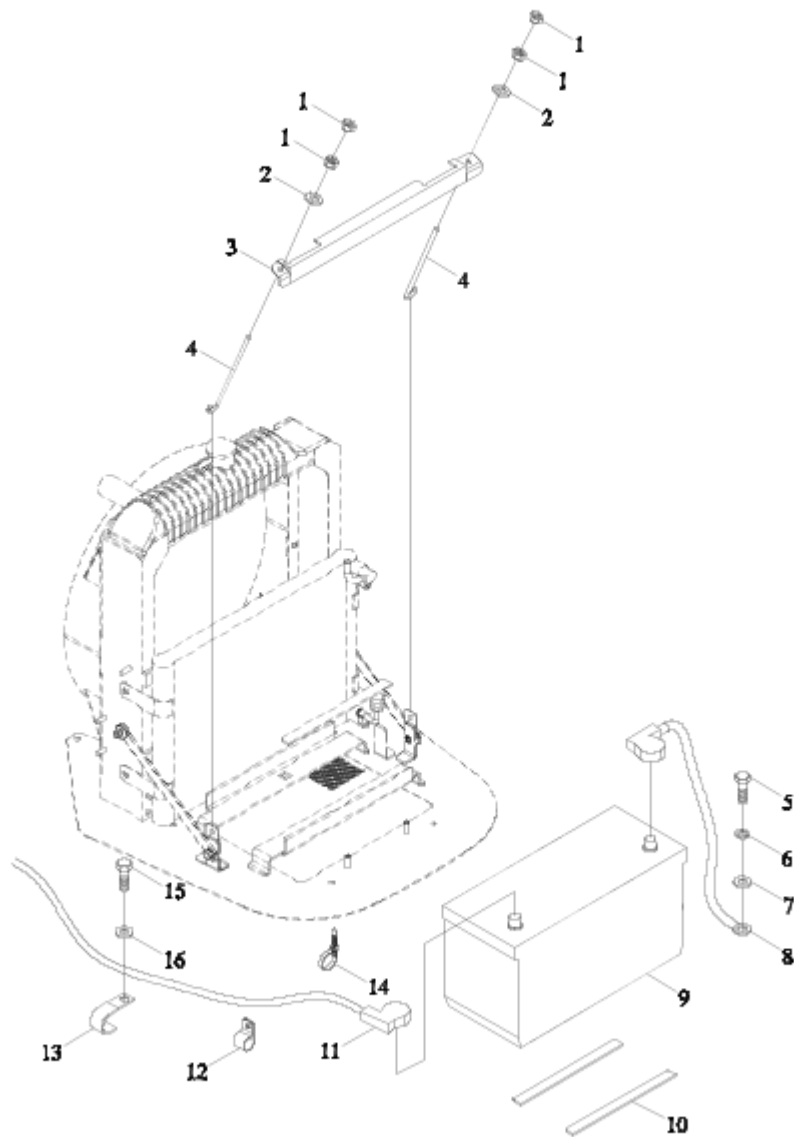
TS0448405000K REAR LAMP HARNESS INSTALLATION ASSEMBLY



TS04484050000K REAR LAMP HARNESS INSTALLATION ASSEMBLY

| No. | Part No. | Description | Version | QTY. | Remark |
|-----|------------------------|---|---------|------|--------|
| | TS04484050000K | REAR LAMP HARNESS INSTALLATION ASSEMBLY | | 1 | |
| 1 | Q67405100 | PLASTIC FASTENING STRIP | | 1 | |
| 2 | TD800.484B-01 | REFLECTOR INSTALLATION PLATE | | 1 | |
| 3 | TD800.484B-02 | REFLECTOR INSTALLATION PLATE | | 1 | |
| 4 | TS06484010001 | LEFT TAIL LAMP ASSEMBLY | | 1 | |
| 5 | GBT97.1-5-A0P | FLAT WASHER | | 9 | |
| 6 | GBT93-5-A0P | STANDARD SPRING WASHER | | 9 | |
| 7 | GBT6170-M5-8-A2L | HEXAGON NUT, TYPE-1 | | 7 | |
| 8 | TS04484010004 | TRAILER SOCKET INSTALLATION PLATE | | 1 | |
| 9 | GBT97.1-6-A0P | FLAT WASHER | | 2 | |
| 10 | GBT93-6-A0P | STANDARD SPRING WASHER | | 2 | |
| 11 | GBT5783-M6X45-8.8-A1L | HEXAGON BOLT | | 2 | |
| 12 | TD900.484.2 | REAR TRAILER SOCKET | | 1 | |
| 13 | TD800.484B.5 | REFLECTOR ASSEMBLY | | 2 | |
| 14 | FT65.48.095 | HARNESS FIXING CLAMP | | 3 | |
| 15 | GBT5783-M8X20-8.8-A2L | HEXAGON BOLT | | 2 | |
| 16 | GBT97.1-8-A0P | FLAT WASHER | | 2 | |
| 17 | GBT93-8-A0P | STANDARD SPRING WASHER | | 2 | |
| 18 | GBT6170-M8-8-A2L | HEXAGON NUT, TYPE-1 | | 2 | |
| 19 | TS06484010002 | RIGHT TAIL LAMP | | 1 | |
| 20 | TS06484010005 | REFLECTOR | | 2 | |
| 21 | GBT819.1-M5X35-4.8-A1L | CROSS SCREW | | 3 | |
| 22 | GBT845-ST3.5X16 | SCREW | | 2 | |
| 23 | TA700.484A.2.1 | LICENSELAMP | | 1 | |
| 24 | TB500.484A.1 | INSTALLATION PLATE | | 1 | |
| 25 | GBT818-M5X12-4.8-A2L | CROSS SCREW | | 2 | |
| 26 | GBT6170-M6-8-A2L | HEXAGON NUT, TYPE-1 | | 2 | |

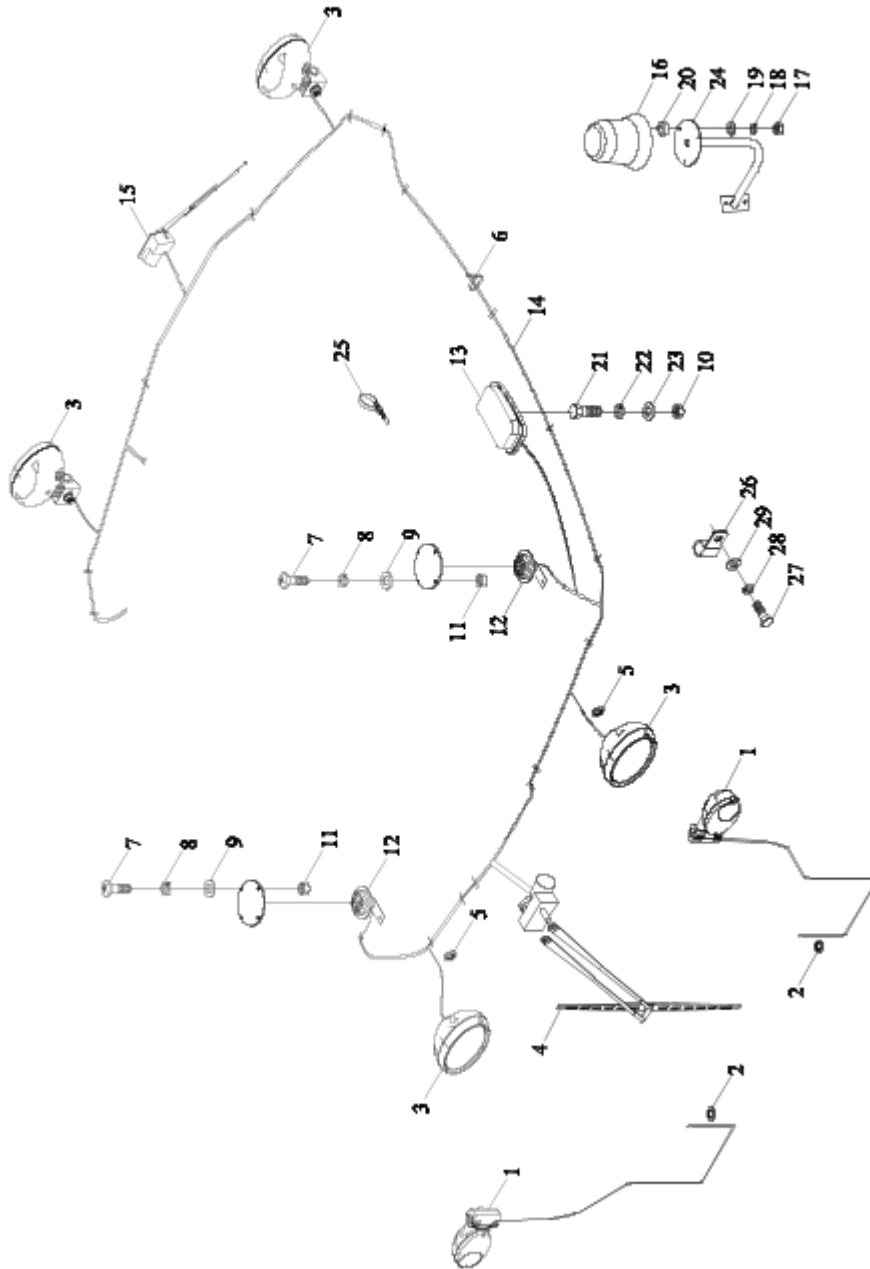
TS04485010000 BATTERY INSTALLATION ASSEMBLY



TS04485010000 BATTERY INSTALLATION ASSEMBLY

| No. | Part No. | Description | Version | QTY. | Remark |
|-----|-----------------------|------------------------------------|---------|------|--------|
| | TS04485010000 | BATTERY INSTALLATION ASSEMBLY | | 1 | |
| 1 | GBT6170-M6-8-A2L | HEXAGON NUT, TYPE-1 | | 4 | |
| 2 | GBT97.1-6-A0P | FLAT WASHER | | 2 | |
| 3 | TS04485010004 | PRESSURE PLATE WELDMENT | | 1 | |
| 4 | TS04485010002 | PULL ROD | | 2 | |
| 5 | GBT5783-M8X25-8.8-A2L | HEXAGON BOLT | | 1 | |
| 6 | GBT93-8-A0P | STANDARD SPRING WASHER | | 1 | |
| 7 | GBT97.1-8-A0P | FLAT WASHER | | 1 | |
| 8 | TB400.485A.2 | BATTERY GROUNDING WIRE | | 1 | |
| 9 | FT450.48.010 | MAINTENANCE-FREE LEAD ACID BATTERY | | 1 | |
| 10 | TB450.485.1 | BATTERY SHOCK ABSORPTION MAT | | 2 | |
| 11 | TB400.485A.1 | POWER WIRE ASSEMBLY | | 1 | |
| 12 | TS04481010006 | HARNESS TIGHTEN CLIP | | 1 | |
| 13 | FT65.48.097 | HARNESS FIXING CLAMP-2 | | 1 | |
| 14 | Q67405100 | PLASTIC FASTENING STRIP | | 1 | |
| 15 | GBT5783-M8X16-8.8-A2L | HEXAGON BOLT | | 1 | |
| 16 | TS04485010007 | WASHER | | 1 | |

TS04486010000K TOP LIGHT HARNESS INSTALLATION ASSEMBLY



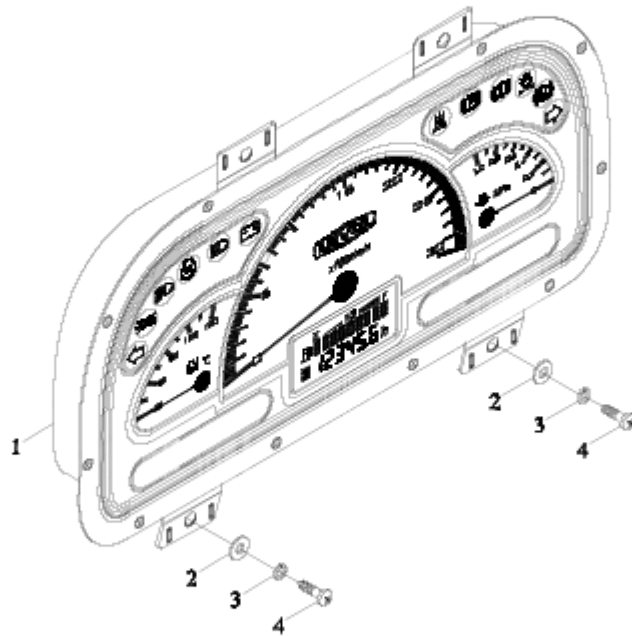
TS04486010000K TOP LIGHT HARNESS INSTALLATION ASSEMBLY

| No. | Part No. | Description | Version | QTY. | Remark |
|-----|-----------------------|---|---------|------|--------|
| | TS04486010000K | TOP LIGHT HARNESS INSTALLATION ASSEMBLY | | 1 | |
| 1 | TS06486010004 | RIGHT ARMREST LIGHT ASSEMBLY | | 2 | |
| 2 | TS04486010002 | RUBBER RING | | 2 | |
| 3 | TS06486010003 | TOP LIGHT ASSEMBLY | | 4 | |
| 4 | TS06486010005 | FRONT SCRAPER ASSEMBLY | | 1 | |
| 5 | FT65.48.093 | THROUGH HARNESS WASHER-1 | | 4 | |
| 6 | 3203505D9-L | TIE | | 10 | |
| 7 | GBT818-M4X16-4.8-A2L | CROSS SCREW | | 8 | |
| 8 | GBT93-4-A0P | STANDARD SPRING WASHER | | 8 | |
| 9 | GBT97.1-4-A0P | FLAT WASHER | | 8 | |
| 10 | GBT6170-M6-8-A2L | HEXAGON NUT, TYPE-1 | | 12 | |
| 11 | GBT6170-M4-8-A2L | HEXAGON NUT, TYPE-1 | | 8 | |
| 12 | TS04486010003 | LOUDHAILER ASSEMBLY | | 2 | |
| 13 | TS06486010006 | INNER TOP LIGHT ASSEMBLY | | 1 | |
| 14 | TS04486010001K | TOP LIGHT HARNESS ASSEMBLY | | 1 | |
| 15 | TS06486010008 | REAR SCRAPER ASSEMBLY | | 1 | |
| 16 | TS04486010002K | ROTATING ALARM LIGHT ASSEMBLY | | 1 | |
| 17 | GBT6170-M5-8-A2L | HEXAGON NUT, TYPE-1 | | 3 | |
| 18 | GBT93-5-A0P | STANDARD SPRING WASHER | | 3 | |
| 19 | GBT96.1-5-A0P | BIG WASHER | | 3 | |
| 20 | TG1204.486-01 | RUBBER WASHER | | 3 | |
| 21 | GBT5783-M6X16-8.8-A2L | HEXAGON BOLT | | 4 | |
| 22 | GBT93-6-A0P | STANDARD SPRING WASHER | | 12 | |
| 23 | GBT97.1-6-A0P | FLAT WASHER | | 4 | |
| 24 | TS04486010003K | ALARM LIGHT BRACKET WELDMENT | | 1 | |
| 25 | Q67405100 | PLASTIC FASTENING STRIP | | 2 | |

TS04486010000K TOP LIGHT HARNESS INSTALLATION ASSEMBLY (cont'd.)

| No. | Part No. | Description | Version | QTY. | Remark |
|-----|-----------------------|---------------------------|---------|------|--------|
| 26 | TS04481010006 | HARNESS TIGHTEN CLIP | | 4 | |
| 27 | GBT5783-M8X25-8.8-A2L | HEXAGON BOLT | | 4 | |
| 28 | GBT93-8-A0P | STANDARD SPRING WASHER | | 4 | |
| 29 | GBT97.1-8-A0P | FLAT WASHER | | 4 | |

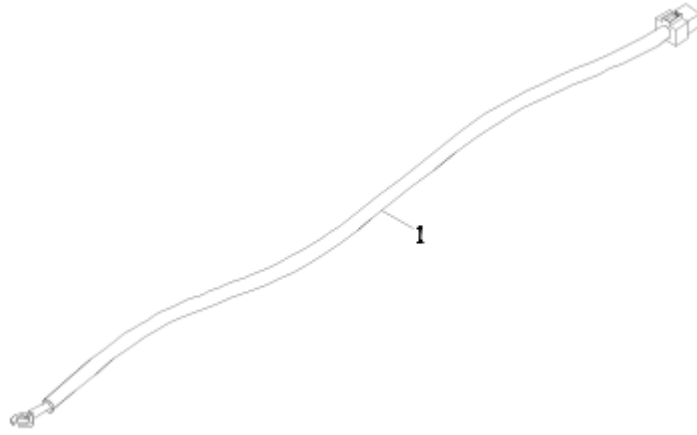
TS04487010000 COMBINED INSTRUMENT ASSEMBLY



TS04487010000 COMBINED INSTRUMENT ASSEMBLY

| No. | Part No. | Description | Ver- sion | QTY. | Remark |
|-----|----------------------|---------------------------------|--------------|------|--------|
| | TS04487010000 | COMBINED INSTRUMENT ASSEMBLY | | 1 | |
| 1 | TS04487010001 | COMBINED INSTRUMENT ASSEMBLY | | 1 | |
| 2 | GBT96.1-6-A0P | BIG WASHER | | 4 | |
| 3 | GBT93-6-A0P | STANDARD SPRING WASHER | | 4 | |
| 4 | GBT818-M6X16-4.8-A2L | CROSS SCREW | | 4 | |

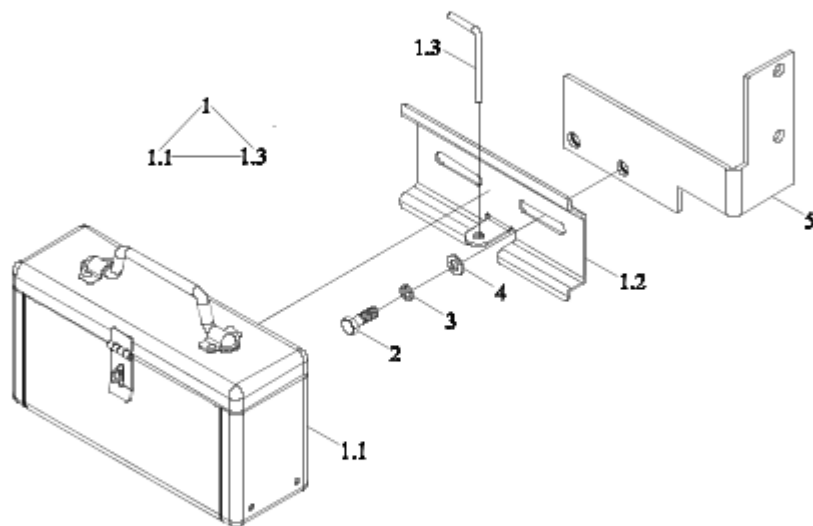
TB550. 489 PREHEATING EQUIPMENT ASSEMBLY



TB550. 489 PREHEATING EQUIPMENT ASSEMBLY

| No. | Part No. | Description | Version | QTY. | Remark |
|-----|-------------|-------------------------------|---------|------|--------|
| | TB550.489 | PREHEATING EQUIPMENT ASSEMBLY | | 1 | |
| 1 | TB550.489.1 | PREHEATING LINE | | 1 | |

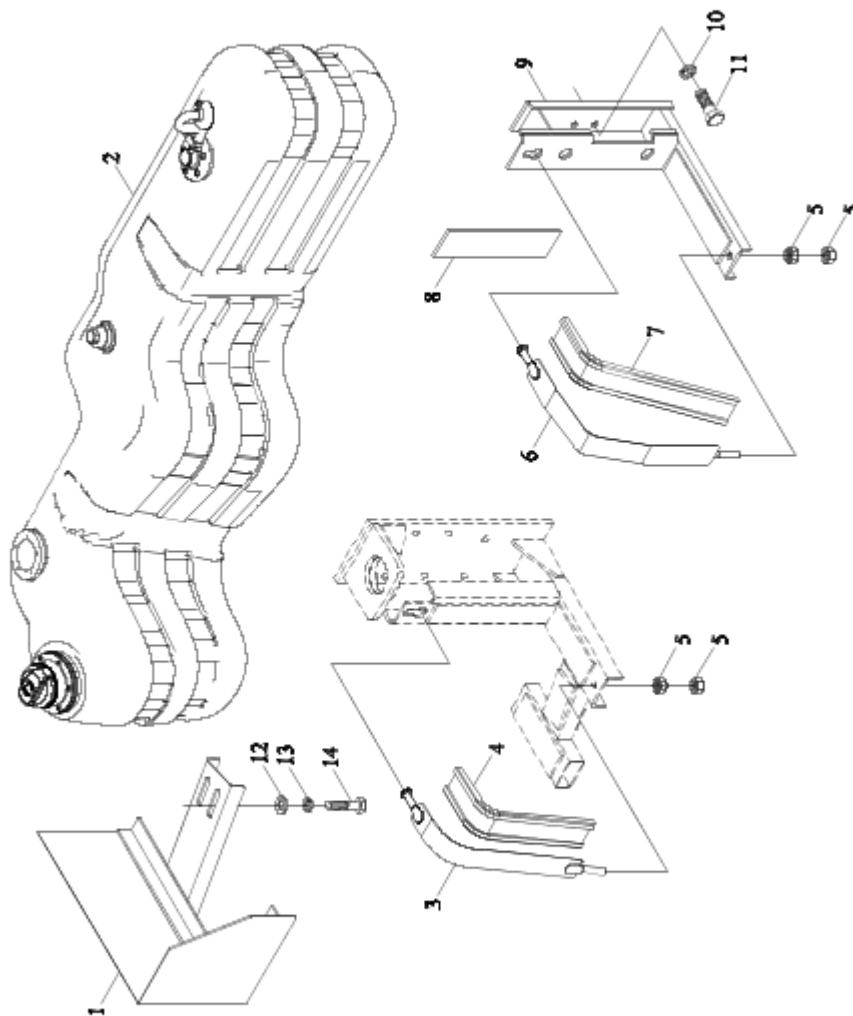
TS04490010000 TOOL BOX ASSEMBLY



TS04490010000 TOOL BOX ASSEMBLY

| No. | Part No. | Description | Ver- sion | QTY. | Remark |
|-----|------------------------|---------------------------|--------------|------|--------|
| | TS04490010000 | TOOL BOX ASSEMBLY | | 1 | |
| 1 | TB400.49.1 | TOOL ASSEMBLY | | 1 | |
| 1.1 | TB400.49.1.1 | TOOL ASSEMBLY | | 1 | |
| 1.2 | FT65.49.103 | FIXED PLATE | | 1 | |
| 1.3 | FT65.49.102 | CROSS PIN | | 1 | |
| 2 | GBT5783-M12X25-8.8-A3L | HEXAGON BOLT | | 2 | |
| 3 | GBT93-12-A0P | STANDARD SPRING WASHER | | 2 | |
| 4 | GBT97.1-12-A0P | FLAT WASHER | | 2 | |
| 5 | TS04490010003 | BRACKET | | 1 | |

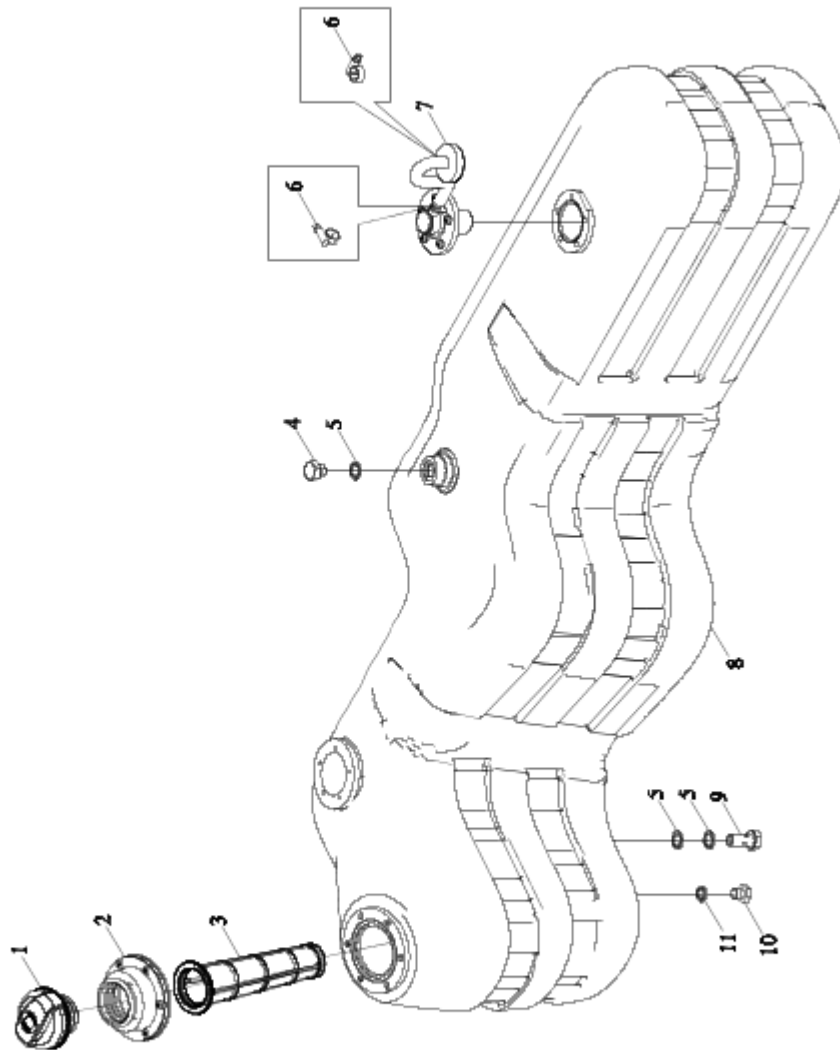
TS0450102000K OIL TANK INSTALLATION ASSEMBLY-1



TS04501020000K OIL TANK INSTALLATION ASSEMBLY-1

| No. | Part No. | Description | Ver- sion | QTY. | Remark |
|-----|------------------------|-----------------------------------|--------------|------|--------|
| | TS04501020000K | OIL TANK INSTALLATION ASSEMBLY | | 1 | |
| 1 | TS04501020001K | WELDMENT TANK PROTECTION | | 1 | |
| 2 | TS04501010001 | OIL TANK ASSEMBLY | | 1 | |
| 3 | TS04501010003 | FRONT BAND WELDMENT | | 1 | |
| 4 | TS04501010009 | TIE RUBBER STRIP | | 1 | |
| 5 | GBT6170-M10-8-A3L | HEXAGON NUT, TYPE-1 | | 4 | |
| 6 | TS04501010008 | REAR FASTENING TIE WELDMENT | | 1 | |
| 7 | TB604.501-02 | TIE RUBBER STRIP | | 1 | |
| 8 | TB604.501-01 | RUBBER WASHER | | 1 | |
| 9 | TB604.501.2 | REAR BRACKET WELDMENT | | 1 | |
| 10 | GBT93-10-A3L | STANDARD SPRING WASHER | | 2 | |
| 11 | GBT5783-M10X20-8.8-A3L | HEXAGON BOLT | | 2 | |
| 12 | GBT96.1-10-A0P | BIG WASHER | | 2 | |
| 13 | GBT93-10-A0P | STANDARD SPRING WASHER | | 2 | |
| 14 | GBT5783-M10X25-8.8-A3L | HEXAGON BOLT | | 2 | |

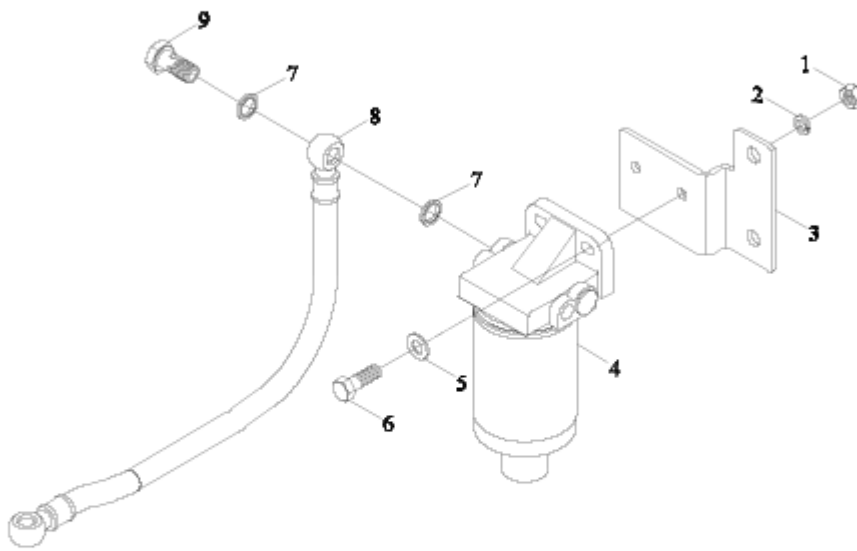
TS04501020000K OIL TANK INSTALLATION ASSEMBLY-2



TS04501020000K OIL TANK INSTALLATION ASSEMBLY-2

| No. | Part No. | Description | Version | QTY. | Remark |
|-----|-----------------|-------------------------------------|---------|------|--------|
| | TS04501020000K | OIL TANK INSTALLATION ASSEMBLY | | 1 | |
| | TS04501010001 | OIL TANK ASSEMBLY | | 1 | |
| 1 | TS04501010005 | OIL TANK COVER | | 1 | |
| 2 | TS04501010010 | FILLING CAP ASSEMBLY | | 1 | |
| 3 | TF1004.501.1-02 | FILTER MESH | | 1 | |
| 4 | Q617B14 | HEXAGON PLUG | | 1 | |
| 5 | JBT982-14 | COMBINED SEAL GASKET | | 3 | |
| 6 | Q67516 | A-TYPE WORM TRANSMISSION HOSE CLAMP | | 2 | |
| 7 | TS04501010006 | BREATH ASSEMBLY | | 1 | |
| 8 | TS04501010002 | OIL TANK HOUSING | | 1 | |
| 9 | FT65.50.106 | HOLLOW BOLT | | 1 | |
| 10 | Q617B12 | HEXAGON PLUG | | 1 | |
| 11 | JBT982-12 | COMBINED SEAL GASKET | | 1 | |

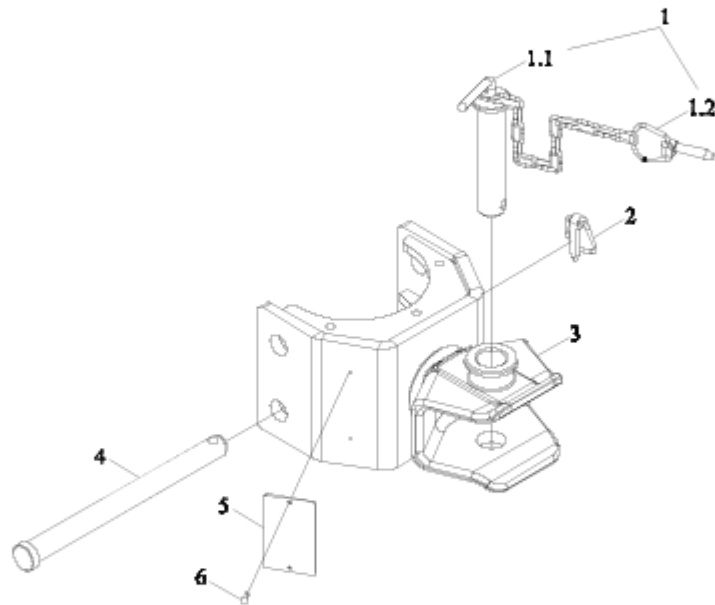
TS04503010000 OIL CONVEYING PIPE ASSEMBLY



TS04503010000 OIL CONVEYING PIPE ASSEMBLY

| No. | Part No. | Description | Ver- sion | QTY. | Remark |
|-----|-----------------------|-----------------------------|--------------|------|--------|
| | TS04503010000 | OIL CONVEYING PIPE ASSEMBLY | | 1 | |
| 1 | GBT6170-M8-8-A2L | HEXAGON NUT, TYPE-1 | | 2 | |
| 2 | GBT93-8-A0P | STANDARD SPRING WASHER | | 2 | |
| 3 | TS04503010002 | BRACKET | | 1 | |
| 4 | TB604.504-03 | FUEL FILTER ASSEMBLY | | 1 | |
| 5 | GBT95-8-A0P | FLAT WASHER | | 2 | |
| 6 | GBT5783-M8X30-8.8-A2L | HEXAGON BOLT | | 2 | |
| 7 | JBT982-14 | COMBINED SEAL GASKET | | 2 | |
| 8 | TA700.503A.2 | OIL OUTLET PIPE ASSEMBLY | | 1 | |
| 9 | FT65.50.106 | HOLLOW BOLT | | 1 | |

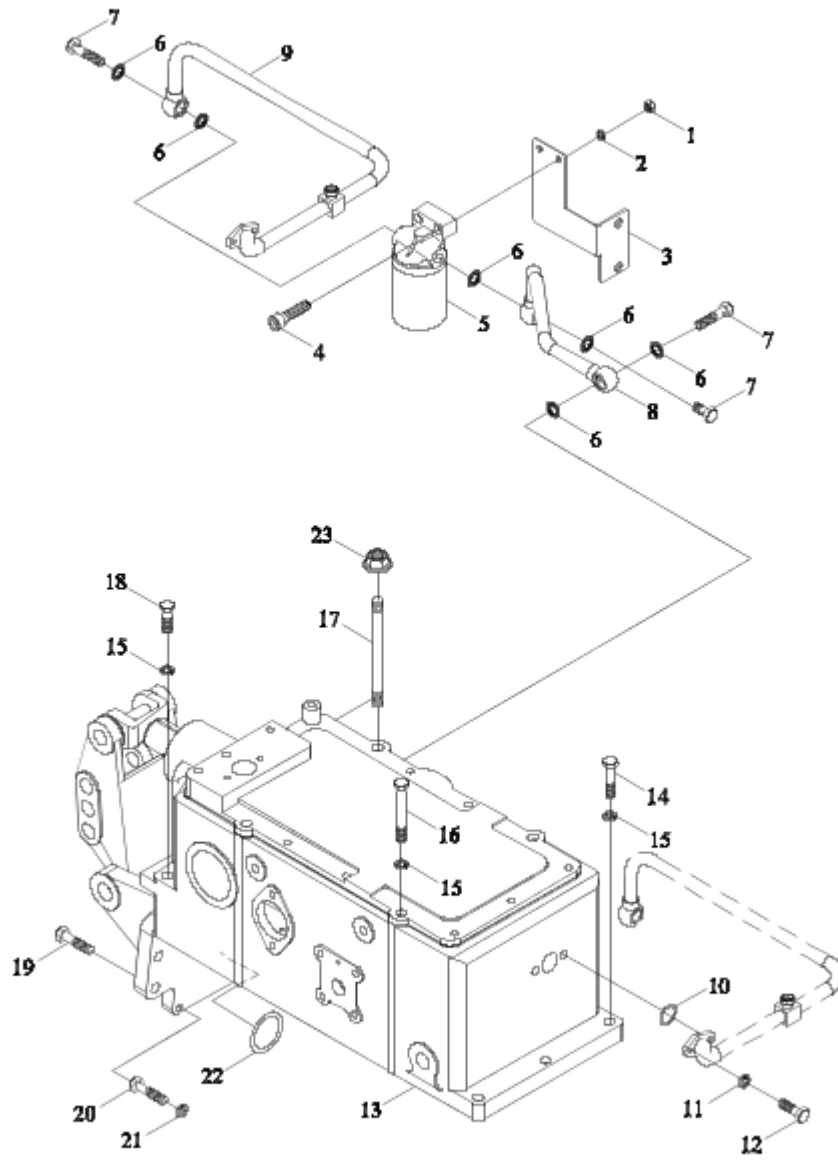
TC02530010000K TOW



TC02530010000K TOW

| No. | Part No. | Description | Version | QTY. | Remark |
|-----|----------------|---------------------------------------|---------|------|--------|
| | TC02530010000K | TOW | | 1 | |
| 1 | TA700.53C.1.3 | TOWINGPINANDLOCKING-PINASSEMBLY | | 2 | |
| 2 | FT300.56.029 | LOCKPINASSEMBLY | | 1 | |
| 3 | TB400.53B.1 | TOW MECHANISM ASSEMBLY WELDMENT | | 1 | |
| 4 | FT300.53.101a | CONNECTING PIN | | 2 | |
| 5 | TC02530010001K | DRAG HANG THE AUTHENTICATION THE SIGN | | 2 | |
| 6 | GBT827-3X8-A0P | LABEL RIVET | | 1 | |

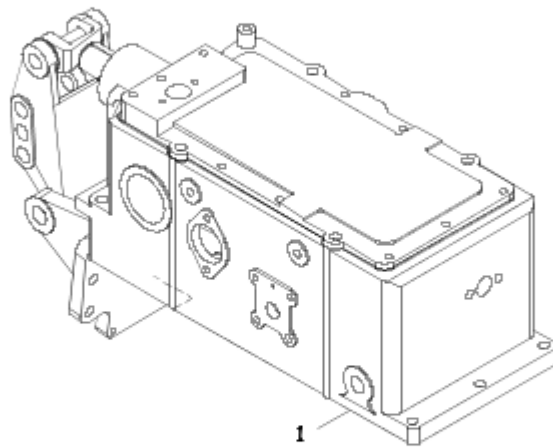
TC0255105000K LIFTER INSTALLATION ASSEMBLY-1



TC02551050000K LIFTER INSTALLATION ASSEMBLY-1

| No. | Part No. | Description | Version | QTY. | Remark |
|-----|----------------------------|-------------------------------|---------|------|--------|
| | TC02551050000K | LIFTER INSTALLATION ASSEMBLY | | 1 | |
| 1 | GBT6170-M10-8-A3L | HEXAGON NUT, TYPE-1 | | 2 | |
| 2 | GBT93-10-A0P | STANDARD SPRING WASHER | | 2 | |
| 3 | TB504.551F.1 | BRACKET WELDMENT | | 1 | |
| 4 | GBT70.1-M10X45-8.8 | INNER HEXAGON SCREW | | 2 | |
| 5 | TB504.551F.4 | OIL RETURN FILTER ASSEMBLY | | 1 | |
| 6 | JBT982-22 | COMBINED SEAL GASKET | | 6 | |
| 7 | FT300.58.101 | HOLLOW BOLT | | 3 | |
| 8 | TB504.551F.3 | OIL RETURN PIPE ASSEMBLY | | 1 | |
| 9 | TC04550090001 | OIL FILTER INTO PIPE ASSEMBLY | | 1 | |
| 10 | GBT3452.1-25.8X2.65G | RUBBER O-SEAL RING | | 1 | |
| 11 | GBT93-8-A0P | STANDARD SPRING WASHER | | 2 | |
| 12 | GBT5783-M8X30-8.8-A2L | HEXAGON BOLT | | 2 | |
| 13 | TC02551050002K | LIFTER ASSEMBLY | | 1 | |
| 14 | GBT5783-M12X40-10.9 | HEXAGON BOLT | | 3 | |
| 15 | TB404.312B-01 | WASHER | | 7 | |
| 16 | FT300.55B.136 | BOLT | | 2 | |
| 17 | TB300.55-01 | DOUBLE END STUDS | | 2 | |
| 18 | GBT5783-M12X100-10.9-A3L | HEXAGON BOLT | | 2 | |
| 19 | GBT16674.1-M12X50-10.9-A2L | HEXAGON FLANGE NUT | | 4 | |
| 20 | GBT5783-M8X30-10.9-A2L | HEXAGON BOLT | | 2 | |
| 21 | TB300.55-02 | WASHER | | 2 | |
| 22 | GBT3452.1-103X2.65G | RUBBER O-SEAL RING | | 1 | |
| 23 | SPL-CO-M12-10-F3 | HEXAGON NUT | | 2 | |

TC0255105000K LIFTER INSTALLATION ASSEMBLY-2



TC0255105000K LIFTER INSTALLATION ASSEMBLY-2

| No. | Part No. | Description | Version | QTY. | Remark |
|-----|-------------------|--|---------|------|--------|
| 1 | TC02551050002K | LIFTER ASSEMBLY | | 1 | |
| 2 | TB504.551F.5.1 | DISTRIBUTOR CONTROL MECHANISM ASSEMBLY | | 1 | |
| 3 | TB504.551F.5-01A | LIFTER HOUSING | | 1 | |
| 4 | TB504.551F.5-02 | LIFTER UPPER COVER | | 1 | |
| 5 | TB504.551F.5.1.1 | ROCKER | | 1 | |
| 6 | TB504.551F.5.1.2 | ROCKER | | 1 | |
| 7 | TB504.551E.1.013A | DISTRIBUTOR ASSEMBLY | | 1 | |
| 8 | TB504.551E.1.183 | VALVE FRONT COVER | | 1 | |
| 9 | TB504.551E.1.201 | OIL RETURN FILTER CONNECTING PLATE | | 1 | |
| 10 | TB504.551E.1.202 | OIL RETURN FILTER PIPE | | 1 | |
| 11 | TB504.551E.1.203 | OIL RETURN FILTER MAT | | 1 | |
| 12 | TB504.551.1.1.3B | POSITION ADJUSTING ECCENTRIC WHEEL WELDMENT ASSEMBLY | | 1 | |
| 13 | TB504.551.1.1.4B | FORCE ADJUSTING ECCENTRIC WHEEL WELDMENT ASSEMBLY | | 1 | |
| 14 | TB504.551.1.1.5B | POSITION ADJUSTING ECCENTRIC WHEEL SLEEVE ASSEMBLY | | 1 | |
| 15 | TB504.551.1.1-01A | SUPPORT SEAT | | 1 | |
| 16 | TB504.551.1.1-02 | POSITION ADJUSTING SECTOR PLATE | | 1 | |
| 17 | TB504.551.1.1-03 | FORCE ADJUSTING SECTOR PLATE | | 1 | |
| 18 | TB504.551.1.1-04 | SPACER BUSH | | 2 | |
| 19 | TB504.551.1.3-01 | HANDLE SHAFT | | 1 | |
| 20 | TB504.551.1.4-01 | HANDLE SHAFT | | 1 | |
| 21 | TC02551050001K | UPPER SUSPENSION POINT ROCKER BRACKET | | 1 | |
| 22 | FT500B.55.140 | HYDRAULIC OUTLET PIPE JOINT | | 1 | |
| 23 | FT500B.55.171 | PIN SHAFT | | 1 | |
| 24 | FT500B.55.197 | PLUG M22X1.5 | | 2 | |
| 25 | FT500B.55.199 | HANDLE SHAFT BUSH | | 1 | |
| 26 | FT500B.55.200 | HANDLE SHAFT BUSH | | 1 | |
| 27 | FT500B.55.217 | MAIN CONTROL VALVE SLEEVE | | 1 | |

TC0255105000K LIFTER INSTALLATION ASSEMBLY-2 (cont'd.)

| No. | Part No. | Description | Version | QTY. | Remark |
|-----|-----------------|--------------------------------------|---------|------|--------|
| 28 | FT500B.55.218 | MAIN CONTROL VALVE | | 1 | |
| 29 | FT50B.55.219 | SEAL SLEEVE | | 1 | |
| 30 | FT500B.55.246A | INTERCEPTING VALVE | | 1 | |
| 31 | DF65.55.167A | RETAINER PLATE | | 1 | |
| 32 | DF65.55.168A | RETAINER PLATE MAT | | 1 | |
| 33 | TB400.551A.1-03 | UPPER COVER PAPER GASKET | | 1 | |
| 34 | FT500A.55.106 | ROCKER UPPER CONNECT- ING PIN | | 1 | |
| 35 | FT500A.55.109 | PULL SPRING | | 2 | |
| 36 | FT500A.55.110 | LIFTING SHAFT | | 1 | |
| 37 | FT500A.55.123 | OIL CONVEYING PIPE NUT | | 1 | |
| 38 | FT500A.55.134A | POSITION ADJUSTING NAMEPLATE | | 1 | |
| 39 | FT500A.55.135A | FORCE ADJUSTING NAMEPLATE | | 1 | |
| 40 | TS300B.55.033 | SAFETY VALVE ASSEMBLY | | 1 | |
| 41 | TS300B.55.110 | SPRING HOOK | | 1 | |
| 42 | TS300B.55.187A | ADJUSTING VALVE | | 1 | |
| 43 | TS300B.55.209 | SAFETY VALVE BODY | | 1 | |
| 44 | TS300B.55.211 | SPRING SEAT OF SAFETY VALVE | | 1 | |
| 45 | TS300B.55.251 | STUD | | 1 | |
| 46 | 12.55.218 | SAFETY VALVE SPRING | | 1 | |
| 47 | 450.55.167 | ROCKER CONNECTING PIN | | 1 | |
| 48 | 520.55.143 | RETAINER RING | | 1 | |
| 49 | TT90.55.023 | OIL RETURN VALVE | | 1 | |
| 50 | TT90.55.173 | OIL RETURN VALVE BODY | | 1 | |
| 51 | BY350.55.163 | ADJUSTING VALVE SOLE- NOID HANDLE | | 1 | |
| 52 | BY350.55.200 | RETAINER RING | | 1 | |
| 53 | KM550.55.105-1 | SHAFT SLEEVE A45.5 | | 1 | |
| 54 | KM550.55.109 | CAM | | 1 | |
| 55 | KM550.55.123 | POSITION ADJUSTING LEVER | | 1 | |
| 56 | KM550.55.124 | ROLLING WHEEL | | 2 | |
| 57 | KM550.55.127 | FORCE ADJUSTING LEVER | | 1 | |

TC0255105000K LIFTER INSTALLATION ASSEMBLY-2 (cont'd.)

| No. | Part No. | Description | Version | QTY. | Remark |
|-----|----------------|--|---------|------|--------|
| 58 | KM550.55.137 | PISTON | | 1 | |
| 59 | KM550.55.014 | POSITION ADJUSTING LEVER | | 1 | |
| 60 | KM550.55.023 | PISTON ASSEMBLY | | 1 | |
| 61 | FT500B.55.011 | OIL INLET CONNECTING PLATE ASSEMBLY | | 1 | |
| 62 | FT500B.55.014 | FORCE ADJUSTING LEVER | | 1 | |
| 63 | FT500B.55.015 | OIL CYLINDER ASSEMBLY | | 1 | |
| 64 | FT500B.55.016A | INNER ARM AND PISTON MANDRIL ASSY | | 1 | |
| 65 | FT500B.55.020 | INTERCEPTING VALVE AD- JUSTING ROD ASSEMBLY | | 1 | |
| 66 | FT500B.55.102 | OIL INLET CONNECTING PLATE PAPER GASKET | | 1 | |
| 67 | FT500B.55.103 | OIL INLET PIPE | | 1 | |
| 68 | FT500B.55.104B | LIFTING SHAFT SLEEVE 24.5 | | 1 | |
| 69 | FT500B.55.105 | OIL OUTLET PIPE | | 1 | |
| 70 | FT500B.55.106 | OIL CYLINDER BODY | | 1 | |
| 71 | FT500B.55.107 | DISTRIBUTOR SUPPORT SEAT | | 1 | |
| 72 | FT500B.55.108A | OIL INLET CONNECTING PLATE | | 1 | |
| 73 | FT500B.55.112 | CONNECTING ROD ROCKER | | 1 | |
| 74 | FT500C.55.110 | INNER LIFTING ARM | | 1 | |
| 75 | FT500B.55.114A | PISTON TOP ROD | | 1 | |
| 76 | FT500B.55.115A | LIFTING SHAFT SLEEVE B | | 2 | |
| 77 | FT500B.55.117 | DISTRIBUTOR HOUSING | | 1 | |
| 78 | FT500B.55.118 | LOCK WASHER | | 1 | |
| 79 | FT500B.55.120 | GASKET | | 1 | |
| 80 | FT500B.55.121 | LOCK WASHER | | 1 | |
| 81 | FT500B.55.122A | LIFTING SHAFT SLEEVE 33 | | 1 | |
| 82 | FT500B.55.125 | OIL CYLINDER BOLT | | 2 | |
| 83 | FT500B.55.126 | INTERCEPTING VALVE AD- JUSTING ROD | | 1 | |
| 84 | FT500B.55.127 | LIFTING ARM PRESSURE PLATE | | 2 | |

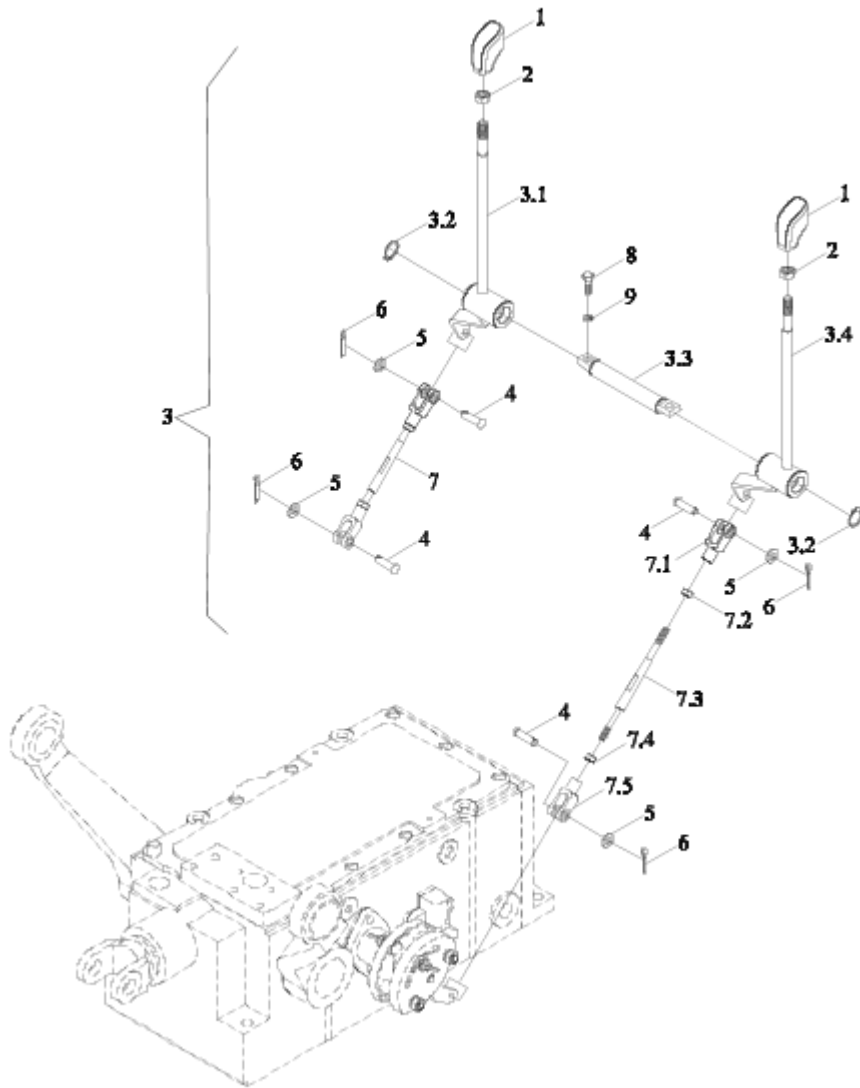
TC0255105000K LIFTER INSTALLATION ASSEMBLY-2 (cont'd.)

| No. | Part No. | Description | Version | QTY. | Remark |
|-----|----------------|------------------------------------|---------|------|--------|
| 85 | FT500B.55.130A | UPPER JOINT ROCKER ARM | | 1 | |
| 86 | YT300A.55.014 | LOW SPEED ADJUSTING ROD ASSEMBLY | | 1 | |
| 87 | YT300A.55.017 | FORCE ADJUSTING SPRING | | 1 | |
| 88 | YT300A.55.113 | FORCE ADJUSTING PUSH ROD | | 1 | |
| 89 | YT300A.55.116 | LOW SPEED CONTROL LEVER | | 1 | |
| 90 | YT300A.55.121 | UPPER PULL ROD CONNECTING JOINT | | 1 | |
| 91 | YT300A.55.122 | LIMIT PLATE | | 1 | |
| 92 | TB704.55A.143 | ONE-WAY VALVE SEAT | | 1 | |
| 93 | TB704.55A.201 | ONE-WAY VALVE SLEEVE | | 1 | |
| 94 | TB704.55A.202 | ONE WAY VALVE MAT | | 1 | |
| 95 | FT500A.55B.016 | LIFTING ARM ASSEMBLY | | 2 | |
| 96 | FT500A.55B.182 | ROCKER FRONT CONNECTING PIN | | 1 | |
| 97 | FT500A.55B.183 | OUTER LIFTING ARM | | 2 | |
| 98 | FT500A.55B.184 | CONNECTING JOINT | | 2 | |
| 99 | E300.55.140A | SPEED DROP VALVE HAND WHEEL | | 1 | |
| 100 | E300.55.138 | RETAINER RING | | 1 | |
| 101 | E300.55.134-A | SAFTY VALVE BODY OF CYLINDER | | 1 | |
| 102 | E300.55.130-A | PLUG | | 1 | |
| 103 | 300.55.131-132 | ADJUSTING WASHER | | 999 | |
| 104 | 300.55.133 | SAFTY VALVE SPRING OF OIL CYLINDER | | 1 | |
| 105 | 300.55.141 | PISTON BALL SEAT | | 1 | |
| 106 | 25.56.030 | LOCKING PIN AND RING ASSEMBLY | | 1 | |
| 107 | 25.56.120 | LOCKING PIN RING | | 1 | |
| 108 | 25.56.121 | LOCK PIN | | 1 | |
| 109 | 25.55.131 | HANDLE PRESSING SPRING | | 2 | |
| 110 | 25.55.143 | PIN | | 2 | |

TC0255105000K LIFTER INSTALLATION ASSEMBLY-2 (cont'd.)

| No. | Part No. | Description | Version | QTY. | Remark |
|-----|--------------|--|---------|------|--------|
| 111 | 25.55.145L | FORCE ADJUSTING SEAL SLEEVE | | 1 | |
| 112 | 25.55.146L | PUSH ROD SLEEVE | | 1 | |
| 113 | 25.55.157 | FORCE ADJUSTING SPRING | | 1 | |
| 114 | 25.55.158 | SPRING ROD | | 1 | |
| 115 | 25.55.159 | SPRING SEAT | | 1 | |
| 116 | 25.55.160 | SPRING PRESSURE PLATE | | 1 | |
| 117 | 25.55.161 | NUT | | 1 | |
| 118 | 25.55.162 | DUSTPROOF COVER | | 1 | |
| 119 | 25.55.176 | OIL RETURN VALVE REAR PLUG | | 1 | |
| 120 | 25.55.181 | MAIN CONTROL VALVE SPRING | | 1 | |
| 121 | 25.55.198 | HANDLE SHAFT BUSH | | 1 | |
| 122 | 25.55.199 | POSITION ADJUSTING ECCENTRIC WHEEL | | 1 | |
| 123 | 25.55.201 | FORCE ADJUSTING HANDLE ECCENTRIC WHEEL | | 1 | |
| 124 | 25.55.221 | FORCE ADJUSTING LEVER PIN SLEEVE | | 1 | |
| 125 | FT65.55.103 | HANDLE PRESSING SCREW | | 2 | |
| 126 | 65-464030-2 | OIL RETURN VALVE SPRING | | 1 | |
| 127 | T30.57.144B | ONE-WAY VALVE SPRING | | 1 | |
| 128 | BY320.55.180 | LIMIT PLATE | | 1 | |
| 129 | JB1000-77 | SCREW PLUG M12X1.5 | | 2 | |

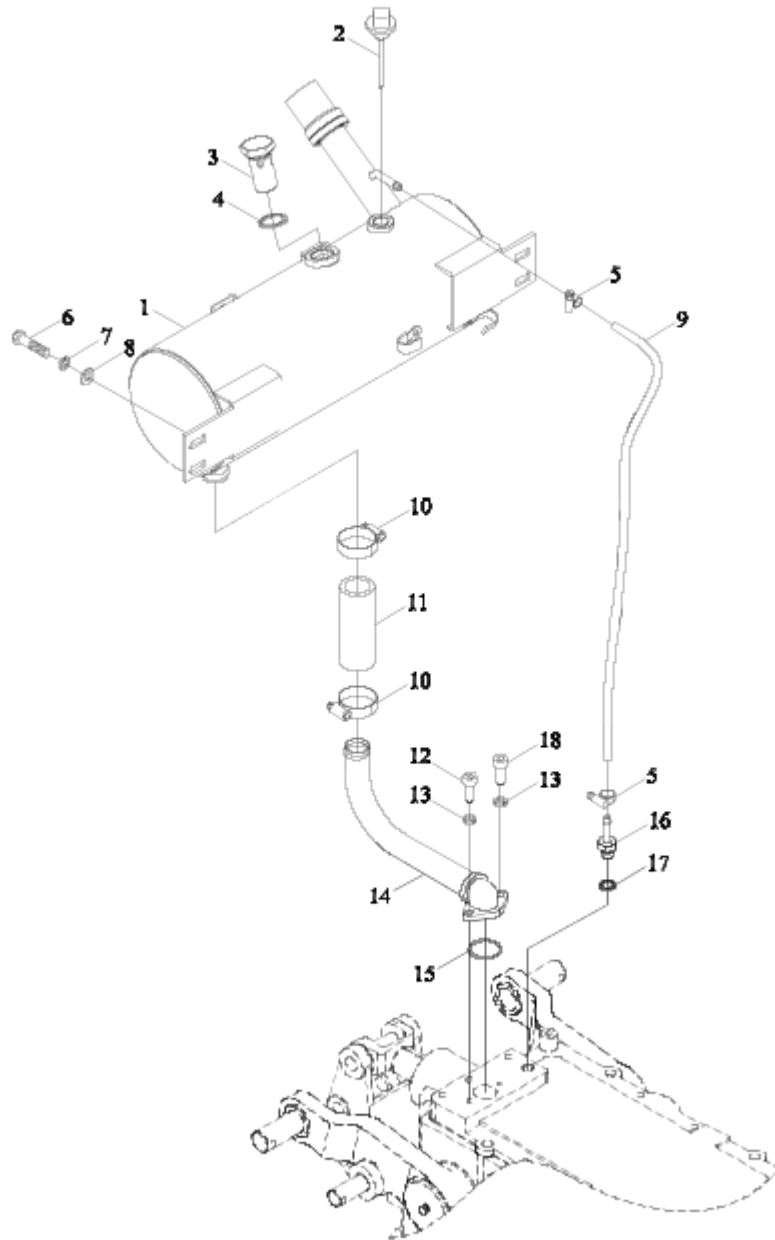
TS04552010000 LIFTER OPERATION ASSEMBLY



TS04552010000 LIFTER OPERATION ASSEMBLY

| No. | Part No. | Description | Version | QTY. | Remark |
|-----|-----------------------|-----------------------------------|---------|------|--------|
| | TS04552010000 | LIFTER OPERATION ASSEMBLY | | 1 | |
| 1 | TS04552010011 | CONTROL HANDLE HEAD | | 2 | |
| 2 | GBT6170-M10-8-A3L | HEXAGON NUT, TYPE-1 | | 2 | |
| 3 | TS04552010010 | LIFTER CONTROL MECHANISM ASSEMBLY | | 1 | |
| 3.1 | TS04552010002 | LIFTER CONTROL PRESSURE UNIT 1 | | 1 | |
| 3.2 | GBT894.1-20 | CIRCLIP FOR SHAFT | | 2 | |
| 3.3 | TS04552010001 | FIXING SHAFT | | 1 | |
| 3.4 | TS04552010007 | LIFTER CONTROL PRESSURE UNIT 2 | | 1 | |
| 4 | GBT882-B8X30-A0P | PIN SHAFT | | 4 | |
| 5 | GBT97.1-8-A0P | FLAT WASHER | | 4 | |
| 6 | GBT91-3.2X16-A0P | SPLIT PIN | | 4 | |
| 7 | TS04552010012 | ADJUSTING ROD | | 2 | |
| 7.1 | TB504.552D.3-03 | RIGHT REVOLVING CONNECTING FORK | | 1 | |
| 7.2 | GBT6170-M8-8-A2L | HEXAGON NUT, TYPE-1 | | 1 | |
| 7.3 | TS04552010013 | CONTROL PULL ROD | | 1 | |
| 7.4 | GBT6170-M8-LH-8-A2L | HEXAGON NUT, TYPE-1 | | 1 | |
| 7.5 | TB504.552D.3-02 | LEFT REVOLVING PULL ROD FORK | | 1 | |
| 8 | GBT5783-M8X25-8.8-A2L | HEXAGON BOLT | | 2 | |
| 9 | GBT93-8-A0P | STANDARD SPRING WASHER | | 2 | |

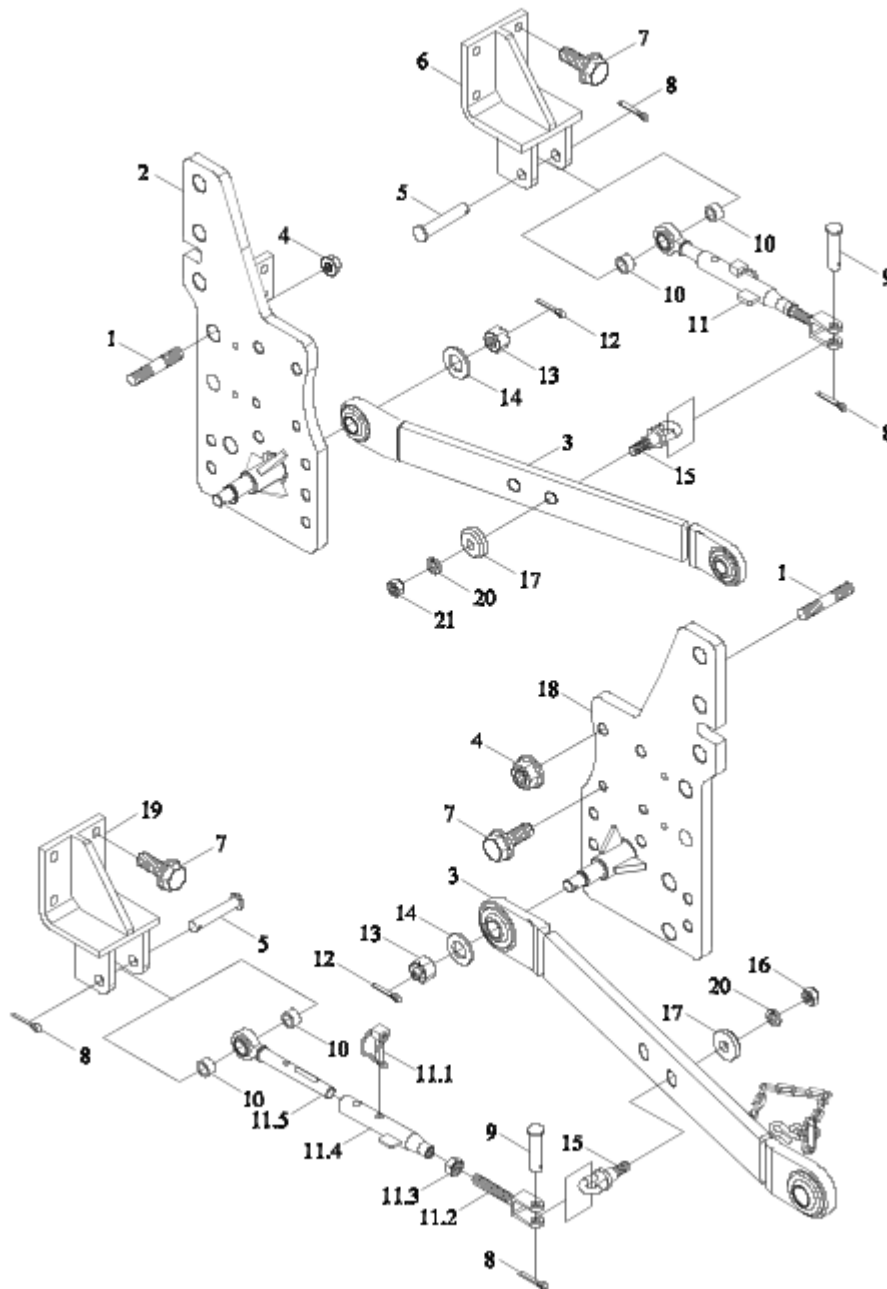
TC02553050000K HYDRAULIC AUXILIARY OIL TANK ASSEMBLY



TC02553050000K HYDRAULIC AUXILIARY OIL TANK ASSEMBLY

| No. | Part No. | Description | Version | QTY. | Remark |
|-----|------------------------|---------------------------------------|---------|------|--------|
| | TC02553050000K | HYDRAULIC AUXILIARY OIL TANK ASSEMBLY | | 1 | |
| 1 | TC02553050001K | AUXILIARY OIL TANK WELDMENT | | 1 | |
| 2 | TS04553010031 | OIL DIPSTICK ASSY | | 1 | |
| 3 | FT65.55.139 | HOLLOW BOLT | | 1 | |
| 4 | JBT982-27 | COMBINED SEAL GASKET | | 1 | |
| 5 | Q67512 | A-TYPE WORM TRANSMISSION HOSE CLAMP | | 2 | |
| 6 | GBT5783-M10X20-8.8-A3L | HEXAGON BOLT | | 4 | |
| 7 | GBT93-10-A0P | STANDARD SPRING WASHER | | 4 | |
| 8 | GBT97.1-10-A0P | FLAT WASHER | | 4 | |
| 9 | TC02553050004K | BREATH PIPE | | 1 | |
| 10 | Q67645 | B-TYPE WORM TRANSMISSION HOSE CLAMP | | 2 | |
| 11 | TB504.553-01 | CONNECTING RUBBER PIPE | | 1 | |
| 12 | GBT70.1-M8X20-8.8-A2L | INNER HEXAGON SCREW | | 1 | |
| 13 | GBT93-8-A0P | STANDARD SPRING WASHER | | 2 | |
| 14 | TS04553010013 | TANK CONNECTING OIL PIPE WELDMENT | | 1 | |
| 15 | GBT3452.1-34.5X1.80G | RUBBER O-SEAL RING | | 1 | |
| 16 | TB400.553.4 | AIR JOINT WELDMENT | | 1 | |
| 17 | JBT982-14 | COMBINED SEAL GASKET | | 1 | |
| 18 | GBT70.1-M8X20-10.9 | INNER HEXAGON SCREW | | 1 | |

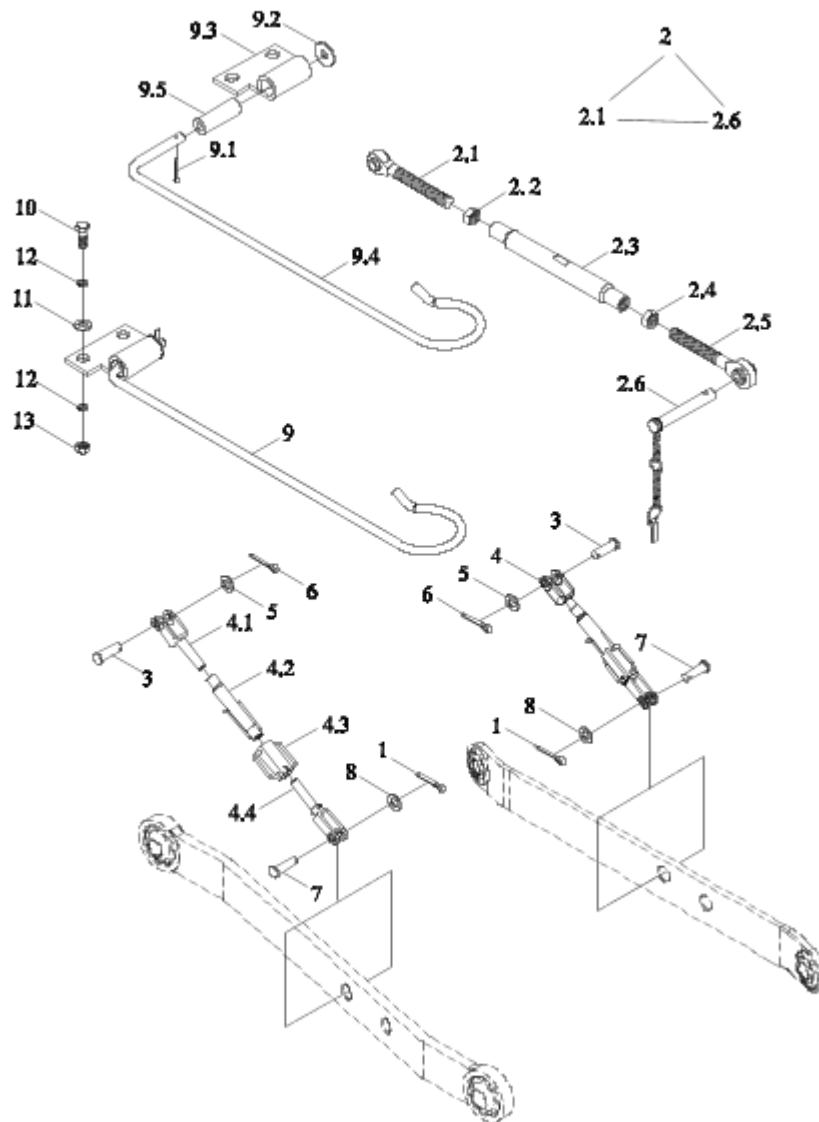
TC0256106000K SUSPENSION ASSEMBLY-1



TC0256106000K SUSPENSION ASSEMBLY-1

| No. | Part No. | Description | Version | QTY. | Remark |
|------|----------------------------------|-------------------------------------|---------|------|--------|
| | TC0256106000K | SUSPENSION ASSEMBLY | | 1 | |
| 1 | GBT899-AM16-M16X1.5X45-10.9-A3 L | DOUBLE END STUDS | | 8 | |
| 2 | TC02561060004K | RIGHT SUPPORT PLATE | | 1 | |
| 3 | FT500A.56.012 | LOWER PULL ROD ASSEMBLY | | 2 | |
| 4 | SPL-CO-M16X1.5-10-F3 | HEXAGON NUT | | 8 | |
| 5 | FT300.56A.102 | LIMITING ROD CONNECTING PIN | | 2 | |
| 6 | FT300.56A.019 | RIGHT LIMITING ROD BRACKET WELDMENT | | 1 | |
| 7 | GBT16674.1-M16X40-10.9-A3L | HEXAGON FLANGE NUT | | 8 | |
| 8 | GBT91-5X32-A0P | SPLIT PIN | | 4 | |
| 9 | GBT882-B18X55-A0P | PIN SHAFT | | 2 | |
| 10 | FT300.56A.103 | SLEEVE | | 4 | |
| 11 | FT300.56A.016a | LIMIT ROD ASSEMBLY | | 2 | |
| 11.1 | FT300.56A.023 | LIMITING ROD LOCK PIN ASSEMBLY | | 1 | |
| 12 | GBT91-4X36-A0P | SPLIT PIN | | 2 | |
| 13 | GBT6178-M20-8-A9L | HEXAGON SLOTTED NUT, STYLE I | | 2 | |
| 14 | GBT97.1-20-A0P | FLAT WASHER | | 2 | |
| 15 | FT300.56A.110a | LIMITING ROD REAR CONNECTING PIN | | 2 | |
| 16 | GBT6170-M20-8-A3L | HEXAGON NUT, TYPE-1 | | 2 | |
| 17 | FT300.56A.111a | CIRCULAR PLATE | | 2 | |
| 18 | TC02561060001K | LEFT SUPPORT PLATE | | 1 | |
| 19 | FT300.56A.017 | LEFT LIMITING ROD BRACKET WELDMENT | | 1 | |
| 20 | GBT93-20-A0P | STANDARD SPRING WASHER | | 2 | |

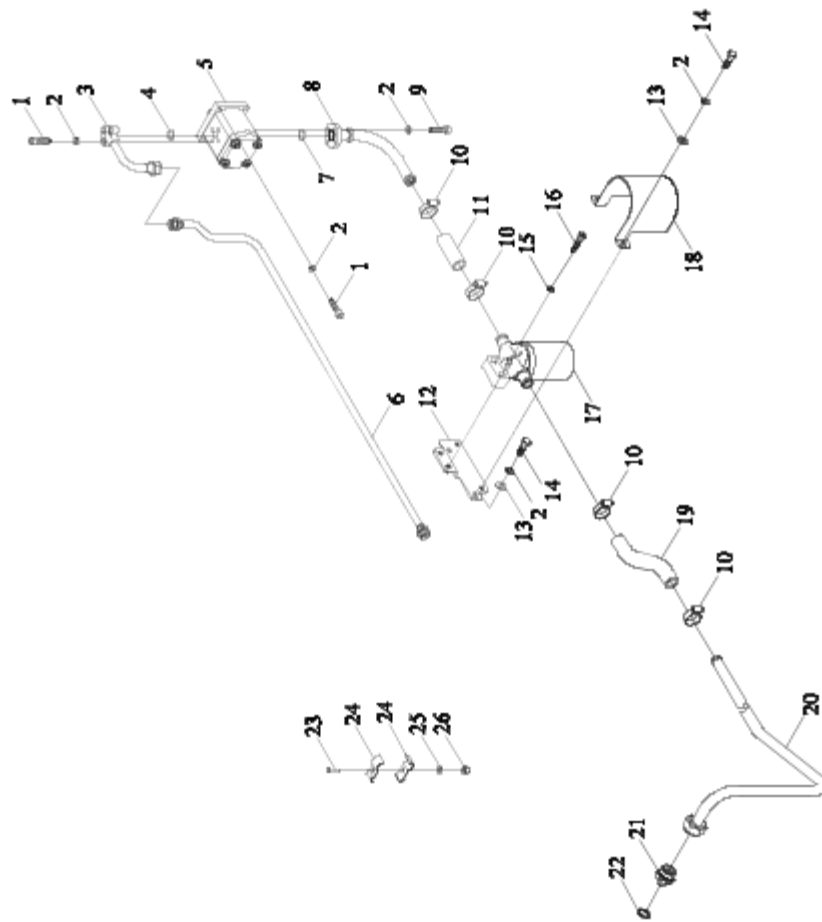
TC0256106000K SUSPENSION ASSEMBLY-2



TC0256106000K SUSPENSION ASSEMBLY-2

| No. | Part No. | Description | Version | QTY. | Remark |
|-----|-----------------------|---------------------------------------|---------|------|--------|
| | TC0256106000k | SUSPENSION ASSEMBLY | | 1 | |
| 1 | GBT91-5X32-A0P | PIN | | 2 | |
| 2 | FT500A.56.011a | UPPER PULL ROD ASSEMBLY | | 1 | |
| 2.6 | FT65.56.015 | UPPER PULL ROD LOCK PIN ASSEMBLY | | 1 | |
| 3 | FT500A.56.101 | LIFTING ROD UPPER CONNECTING PIN | | 2 | |
| 4 | TB400.56E.1 | LIFTING ROD ASSEMBLY | | 2 | |
| 5 | FT500A.56.118 | WASHER | | 2 | |
| 6 | GBT91-5X40-A0P | SPLIT PIN | | 2 | |
| 7 | FT300.56A.112 | LIFTING ROD LOWER CONNECTING PIN | | 2 | |
| 8 | GBT97.1-24-A0P | FLAT WASHER | | 2 | |
| 9 | TB500.56B.6 | UPPER PULL ROD FIXED CLIP COMBINATION | | 1 | |
| 10 | GBT5783-M8X20-8.8-A2L | HEXAGON BOLT | | 2 | |
| 11 | GBT97.1-8-A0P | FLAT WASHER | | 2 | |
| 12 | GBT93-8-A0P | STANDARD SPRING WASHER | | 2 | |
| 13 | GBT6170-M8-8-A2L | HEXAGON NUT, TYPE-1 | | 2 | |

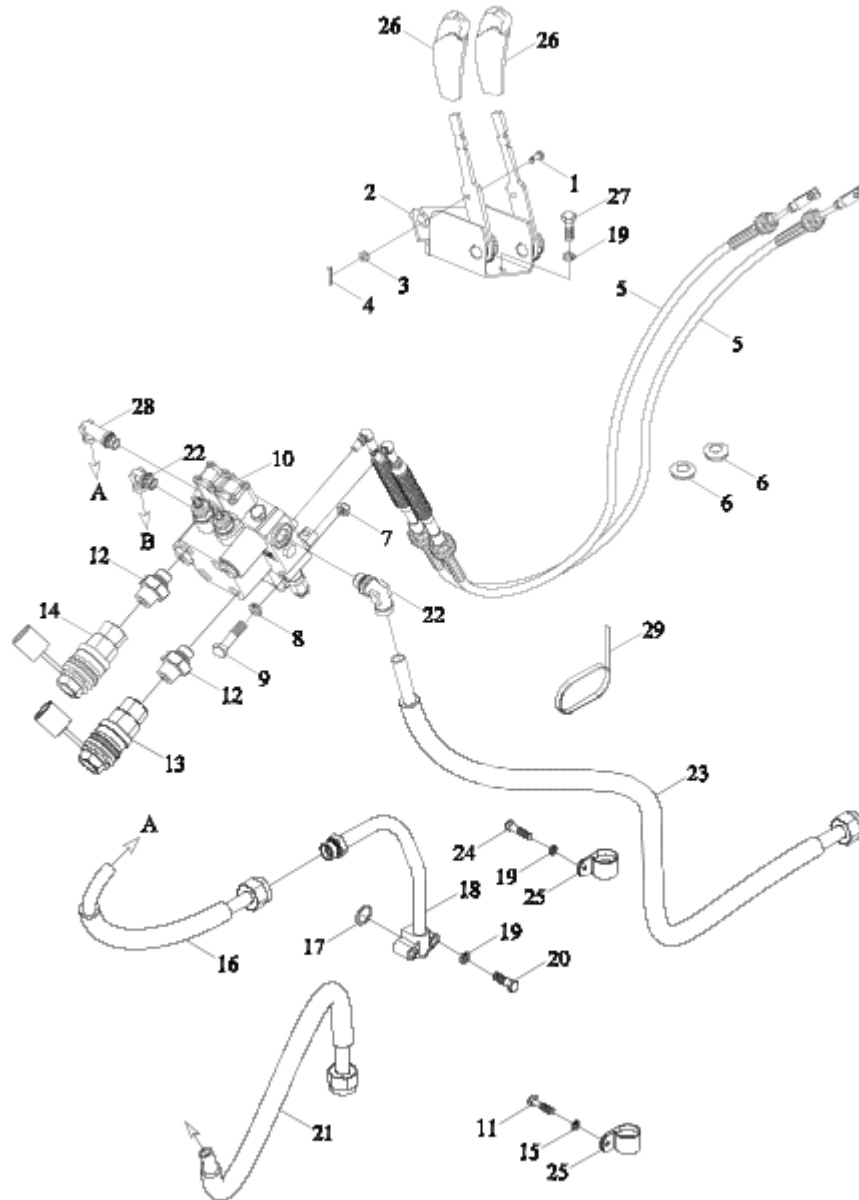
TC0258126000K OIL PUMP/PIPE/FILTER ASSEMBLY



TC02581260000K OIL PUMP/PIPE/FILTER ASSEMBLY

| No. | Part No. | Description | Version | QTY. | Remark |
|-----|-----------------------|---|---------|------|--------|
| | TC02581260000K | OIL PUMP/PIPE/FILTER ASSEMBLY | | 1 | |
| 1 | GBT70.1-M8X30-8.8-A2L | INNER HEXAGON SCREW | | 7 | |
| 2 | GBT93-8-A0P | STANDARD SPRING WASHER | | 15 | |
| 3 | TC04581160001 | PRESSURE OIL PIPE ASSEMBLY 1 | | 1 | |
| 4 | GBT3452.1-18.0X2.65G | RUBBER O-SEAL RING | | 1 | |
| 5 | TC02581240001K | GEAR PUMP | | 1 | |
| 6 | TC02581130001K | OIL PUMP OUTLET STEEL PIPE WELDMENT | | 1 | |
| 7 | GBT3452.1-20.0X1.80G | RUBBER O-SEAL RING | | 1 | |
| 8 | TC02581260001K | OIL SUCTION STEEL PIPE WELDMENT | | 1 | |
| 9 | GBT70.1-M8X25-8.8-A2L | INNER HEXAGON SCREW | | 4 | |
| 10 | Q67638 | B-TYPE WORM TRANSMISSION HOSE CLAMP | | 4 | |
| 11 | TB504.581E-02 | OIL SUCTION RUBBER HOSE | | 1 | |
| 12 | TC02581130006K | BRACKET WELDMENT | | 1 | |
| 13 | GBT95-8-A0P | FLAT WASHER | | 4 | |
| 14 | GBT5783-M8X20-8.8-A2L | HEXAGON BOLT | | 4 | |
| 15 | GBT93-10-A0P | STANDARD SPRING WASHER | | 2 | |
| 16 | GBT70.1-M10X40-8.8 | INNER HEXAGON SCREW | | 2 | |
| 17 | TB504.581E.2 | ABSORB OIL FILTER ASSEMBLY | | 1 | |
| 18 | TC02581130008K | GUARD WELDMENT | | 1 | |
| 19 | TC02581130005K | OIL SUCTION PIPE | | 1 | |
| 20 | TC02581260003K | OIL SUCTION LONG PIPE ASSEMBLY | | 1 | |
| 21 | TC04581020005 | END STRAIGHT THREAD CONNECTOR BODY M22-25 | | 1 | |
| 22 | JBT982-22 | COMBINED SEAL GASKET | | 1 | |
| 23 | GBT5783-M6X30-8.8-A2L | HEXAGON BOLT | | 2 | |
| 24 | TB504.581E.1 | OIL PIPE CLAMP AND RUBBER WASHER | | 4 | |
| 25 | GBT93-6-A0P | STANDARD SPRING WASHER | | 2 | |
| 26 | GBT6170-M6-8-A2L | HEXAGON NUT, TYPE-1 | | 2 | |

TC02582100000K MULTI-WAY VALVE OIL PIPE ASSEMBLY



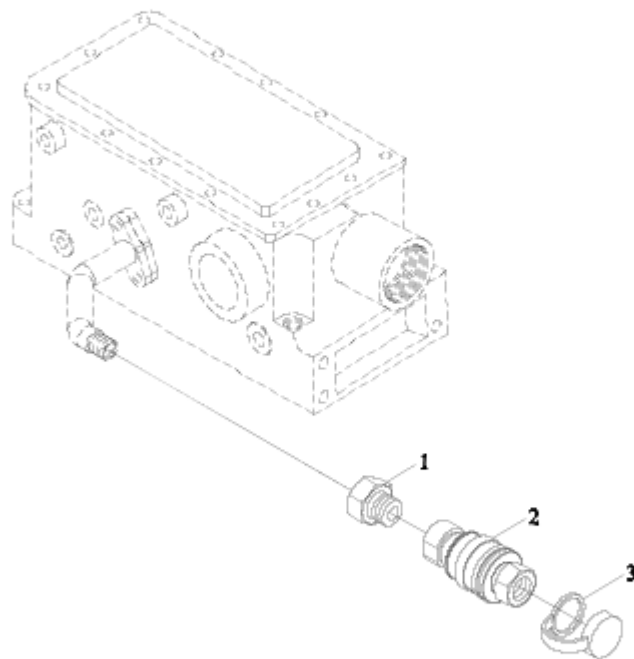
TC02582100000K MULTI-WAY VALVE OIL PIPE ASSEMBLY

| No. | Part No. | Description | Version | QTY. | Remark |
|-----|------------------------|---|---------|------|--------|
| | TC02582100000K | MULTI-WAY VALVE OIL PIPE ASSEMBLY | | 1 | |
| 1 | TG1654.583C-01 | PIN SHAFT | | 2 | |
| 2 | TS04582010058 | MULTI-WAY VALVE CONTROL MECHANISM INSTALLATION ASSEMBLY | | 1 | |
| 3 | GBT97.1-6-A0P | FLAT WASHER | | 2 | |
| 4 | GBT91-2X14-A0P | SPLIT PIN | | 2 | |
| 5 | TS04582010056 | SOFT SHAFT MECHANISM ASSEMBLY | | 2 | |
| 6 | TS04582010027 | RUBBER RING | | 2 | |
| 7 | GBT6170-M6-8-A2L | HEXAGON NUT, TYPE-1 | | 3 | |
| 8 | GBT93-6-A0P | STANDARD SPRING WASHER | | 3 | |
| 9 | GBT5782-M6X60-8.8-A1L | HEXAGON BOLT | | 3 | |
| 10 | TC04582140010 | MULTI-WAY VALVE ASSEMBLY | | 1 | |
| 11 | GBT5783-M10X16-8.8-A3L | HEXAGON BOLT | | 1 | |
| 12 | TC04582140009 | THROUGH JOINT | | 4 | |
| 13 | FT354.58A.030 | QUICK CHANGING JOINT | | 2 | |
| 14 | TC02580010001K | QUICK CHANGING JOINT | | 2 | |
| 15 | GBT93-10-A0P | STANDARD SPRING WASHER | | 1 | |
| 16 | TC04582300012 | OIL INLET RUBBLE HOSE | | 1 | |
| 17 | GBT3452.1-20.0X2.65G | RUBBER O-SEAL RING | | 1 | |
| 18 | TC04582300005 | OIL INLET STEEL PIPE | | 1 | |
| 19 | GBT93-8-A0P | STANDARD SPRING WASHER | | 6 | |
| 20 | GBT5783-M8X35-8.8-A2L | HEXAGON BOLT | | 2 | |
| 21 | TC04582300013 | OIL RETURN RUBBER HOSE ASSEMBLY | | 1 | |
| 22 | TC04582140012 | CONNECTING JOINT M18-15 | | 2 | |
| 23 | TC04582300001 | OIL INLET RUBBLE HOSE | | 1 | |
| 24 | GBT5783-M8X16-8.8-A2L | HEXAGON BOLT | | 1 | |
| 25 | TD924.582-01 | PIPE CLAMP | | 2 | |
| 26 | TS04582010025 | HANDLE HEAD | | 2 | |
| 27 | GBT5783-M8X20-8.8-A2L | HEXAGON BOLT | | 3 | |

TC02582100000K MULTI-WAY VALVE OIL PIPE ASSEMBLY (cont'd.)

| No. | Part No. | Description | Version | QTY. | Remark |
|-----|---------------|-------------------------|---------|------|--------|
| 28 | TC04582300011 | CONNECTING JOINT M18-15 | | 1 | |
| 29 | Q67405200 | PLASTIC FASTENING STRIP | | 1 | |

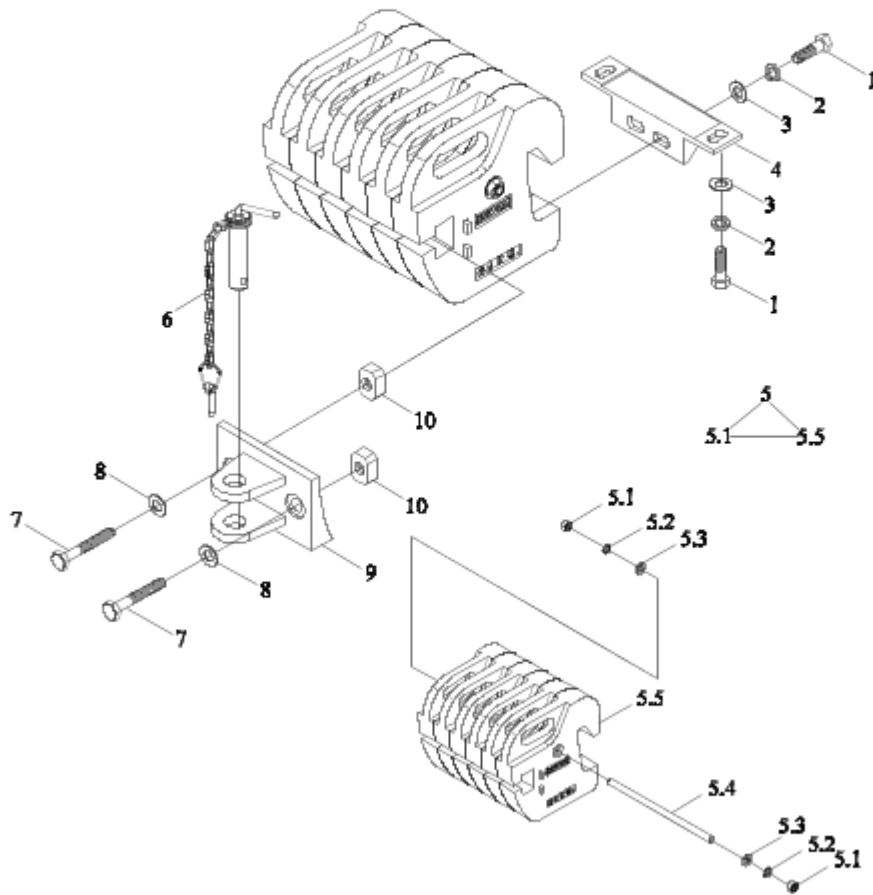
TB300. 583A SINGLE-WAY HYDRAULIC OUTPUT ASSEMBLY 2



TB300. 583A SINGLE-WAY HYDRAULIC OUTPUT ASSEMBLY 2

| No. | Part No. | Description | Version | QTY. | Remark |
|-----|---------------|---|---------|------|--------|
| | TB300.583A | SINGLE-WAY HYDRAULIC OUTPUT ASSEMBLY 2 | | 1 | |
| 1 | FT354.58A.104 | BRITISH SYSTEM OIL PIPE JOINT | | 1 | |
| 2 | FT354.58A.030 | QUICK CHANGING JOINT | | 1 | |
| 3 | FT354.58A.103 | DUSTPROOF COVER | | 1 | |

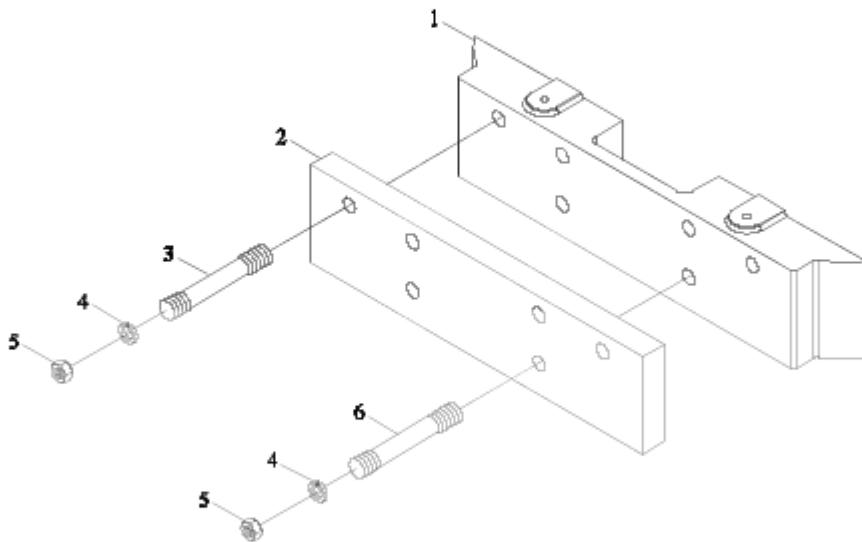
TC02740010000K FRONT BALLAST ASSEMBLY



TC02740010000K FRONT BALLAST ASSEMBLY

| No. | Part No. | Description | Ver- sion | QTY. | Remark |
|-----|----------------------------|----------------------------------|--------------|------|--------|
| | TC02740010000K | FRONT BALLAST ASSEMBLY | | 1 | |
| 1 | GBT5783-M16X35-8.8-A3L | HEXAGON BOLT | | 4 | |
| 2 | GBT93-16-A0P | STANDARD SPRING WASHER | | 4 | |
| 3 | GBT97.1-16-A0P | FLAT WASHER | | 4 | |
| 4 | TB404.74B-01 | FIXING BRACKET | | 1 | |
| 5 | TC02740010001K | FRONT BALLAST SMALL ASSEMBLY | | 1 | |
| 5.1 | GBT6170-M16-8-A3L | HEXAGON NUT, TYPE-1 | | 2 | |
| 5.2 | GBT93-16-A0P | STANDARD SPRING WASHER | | 2 | |
| 5.3 | GBT97.1-16-A0P | FLAT WASHER | | 2 | |
| 5.4 | FT404.74A.108 | CONNECTING BOLT | | 1 | |
| 5.5 | TC02740010002K | BALLAST BLOCK | | 6 | |
| 6 | TB400.74A.2 | TOWING PIN AND LOCK PIN ASSEMBLY | | 1 | |
| 7 | GBT5785-M20X1.5X80-8.8-A3L | HEXAGON BOLT | | 2 | |
| 8 | GBT97.1-20-A0P | FLAT WASHER | | 2 | |
| 9 | TB400.74A-04 | TOWING LUG | | 1 | |
| 10 | FT650.74.108 | TOWING NUT | | 2 | |

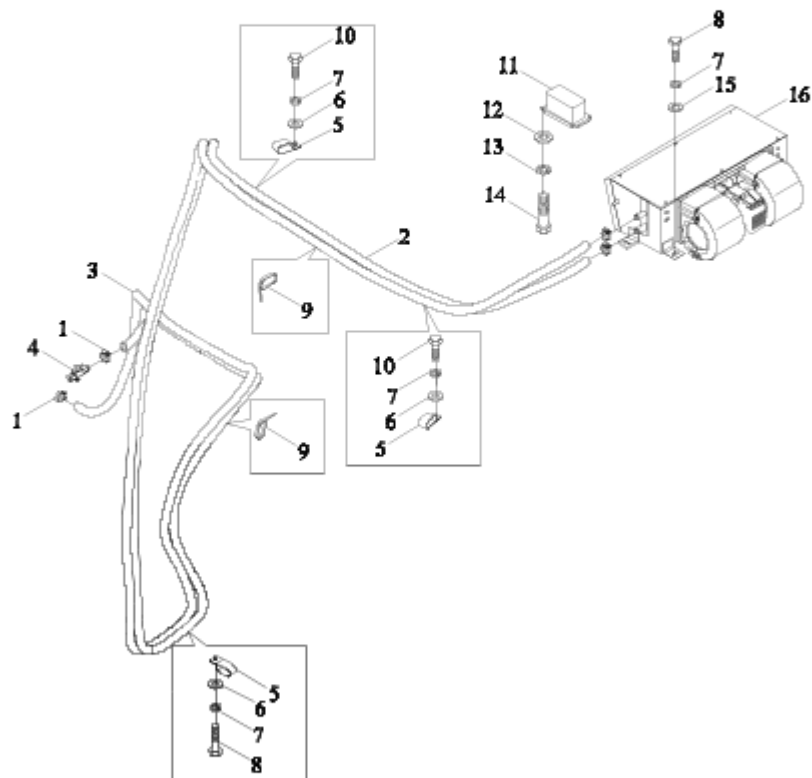
TS04741010000K FRONT BALLAST BRACKET ASSEMBLY



TS04741010000K FRONT BALLAST BRACKET ASSEMBLY

| No. | Part No. | Description | Version | QTY. | Remark |
|-----|-------------------|--------------------------------|---------|------|--------|
| | TS04741010000K | FRONT BALLAST BRACKET ASSEMBLY | | 1 | |
| 1 | TB400.74D-01 | BALLAST BRACKET | | 1 | |
| 2 | TS04741010001K | PAD BLOCK | | 1 | |
| 3 | TS04741010002K | DOUBLE END STUDS M16X145 | | 4 | |
| 4 | GBT93-16-A0P | STANDARD SPRING WASHER | | 6 | |
| 5 | GBT6170-M16-8-A3L | HEXAGON NUT, TYPE-1 | | 6 | |
| 6 | TS04741010003K | DOUBLE END STUDS M16X165 | | 2 | |

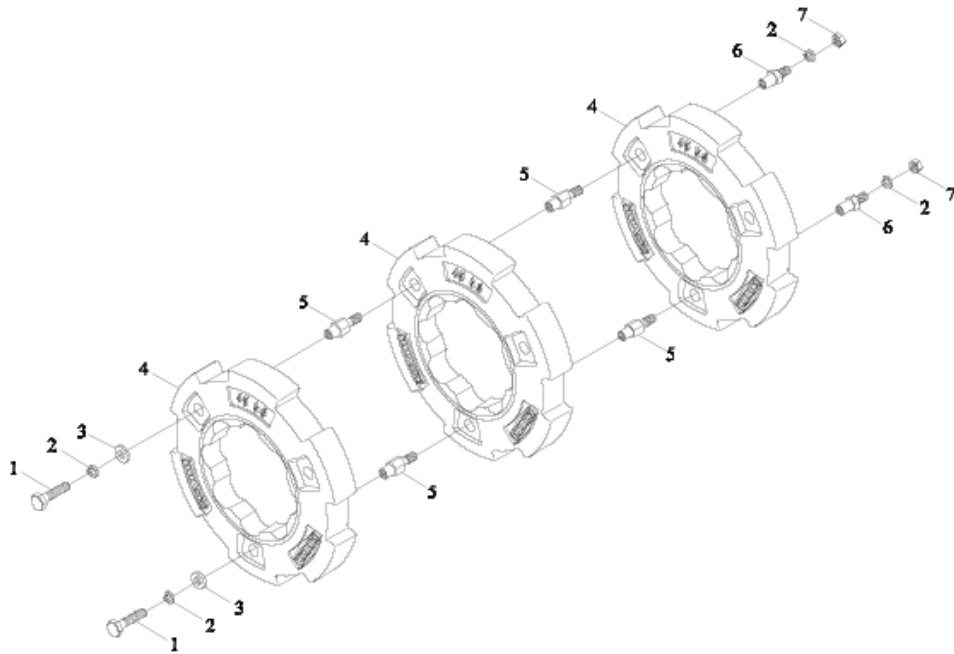
TS04810010000K HEATER SYSTEM ASSEMBLY



TS04810010000K HEATER SYSTEM ASSEMBLY

| No. | Part No. | Description | Version | QTY. | Remark |
|-----|-----------------------|-------------------------------------|---------|------|--------|
| | TS04810010000K | HEATER SYSTEM ASSEMBLY | | 1 | |
| 1 | Q676B25 | C-TYPE WORM TRANSMISSION HOSE CLAMP | | 4 | |
| 2 | TS04810010001K | WATER INLET HOSE OF WARM AIR | | 1 | |
| 3 | TS04810010002K | WATER OUT HOSE OF WARM AIR | | 1 | |
| 4 | TS04812010010 | HEATER WATER INLET VALVE | | 1 | |
| 5 | TS06811010007 | LOCKING CLAMP | | 3 | |
| 6 | GBT97.1-8-A0P | FLAT WASHER | | 3 | |
| 7 | GBT93-8-A0P | STANDARD SPRING WASHER | | 7 | |
| 8 | GBT5783-M8X25-8.8-A2L | HEXAGON BOLT | | 5 | |
| 9 | Q67407200 | PLASTIC FASTENING STRIP | | 6 | |
| 10 | GBT5783-M8X16-8.8-A2L | HEXAGON BOLT | | 2 | |
| 11 | TS12810010002 | CONTROL PANEL | | 1 | |
| 12 | GBT97.1-5-A0P | FLAT WASHER | | 4 | |
| 13 | GBT93-5-A0P | STANDARD SPRING WASHER | | 4 | |
| 14 | GBT818-M5X16-4.8-A2L | CROSS SCREW | | 4 | |
| 15 | GBT96.1-8-A0P | BIG WASHER | | 4 | |
| 16 | TS12810010001 | HEATER INSTALLATION | | 1 | |

FT300. 91. 001 REAR BALLAST ASSEMBLY



FT300. 91. 001 REAR BALLAST ASSEMBLY

| No. | Part No. | Description | Version | QTY. | Remark |
|-----|------------------------|----------------------|---------|------|--------|
| 1 | GBT5783-M16X45-8.8-A3L | BOLT | | 3 | |
| 2 | GBT93-16-A0P | WASHER | | 6 | |
| 3 | FT650.34.104 | WASHER | | 3 | |
| 4 | FT300.91.101 | REAR BALLAST | | 3 | |
| 5 | FT650.34.103 | REAR BALLAST SCREW 2 | | 6 | |
| 6 | FT400.91.102 | REAR BALLAST SCREW I | | 3 | |
| 7 | GBT6170-M16-8-A3L | NUT | | 3 | |