



Parts Catalogue of Foton
(TS4A504-012C)

Foton Lovol International Heavy Industries Co.,Ltd

目录 CONTENTS

序号 No.	代码 Code	名称 Description	页次 Page
1	TB400.11	11-AIR CLEANER ASSEMBLY	1
2	TB500.13Y	13-COOLING SYSTEM ASSEMBLY	3
3	TB500.133B	GUARD NET	5
4	TB604.201A	20.1-HAND THROTTLE ASSEMBLY	7
5	TB604.202A	20.2-FOOT THROTTLE ASSEMBLY	9
6	TB604.203D	20.3-PULL WIRE ASSEMBLY	11
7	TB550.211B	21.1-CLUTCH ASSEMBLY	13
8	TB604.212	21.2-CLUTCH CONTROL ASSEMBLY	15
9	TC02311020000-1	31.1-FRONT DRIVING AXLE ASSEMBLY	19
10	TB554.312	31.2-FRONT BRACKET ASSEMBLY	21
11	TC02311020000-2	FRONT DRIVING AXLE ASSEMBLY	23
12	TC02311020000-3	FRONT DRIVING AXLE ASSEMBLY	25
13	TC02311020000-4	FRONT DRIVING AXLE ASSEMBLY	27
14	TC02311020000-5	FRONT DRIVING AXLE ASSEMBLY	29
15	TC02311020000-6	FRONT DRIVING AXLE ASSEMBLY	31
16	FT404.32F.001	32-FRONT DRIVING WHEEL ASSEMBLY	33
17	TB400.35C	35-TRACTION EQUIPMENT MOUNTING ASSEMBLY	35
18	TB504.372A-2	MAIN TRANSMISSION ASSEMBLY-2	37
19	TB604.374D-1	37.4-GEARBOX CONTROL MECHANISM ASSEMBLY-1	39
20	TB604.374D-2		41
21	TB604.374D-3		43
22	TB604.374D-4		45
23	TB504.372A-1	MAIN TRANSMISSION ASSEMBLY-1	47
24	TB504.382-1	REAR AXLE CENTRAL TRANSMISSION ASSEMBLY-1	51
25	TB504.382-2	REAR AXLE CENTRAL TRANSMISSION ASSEMBLY-2	53

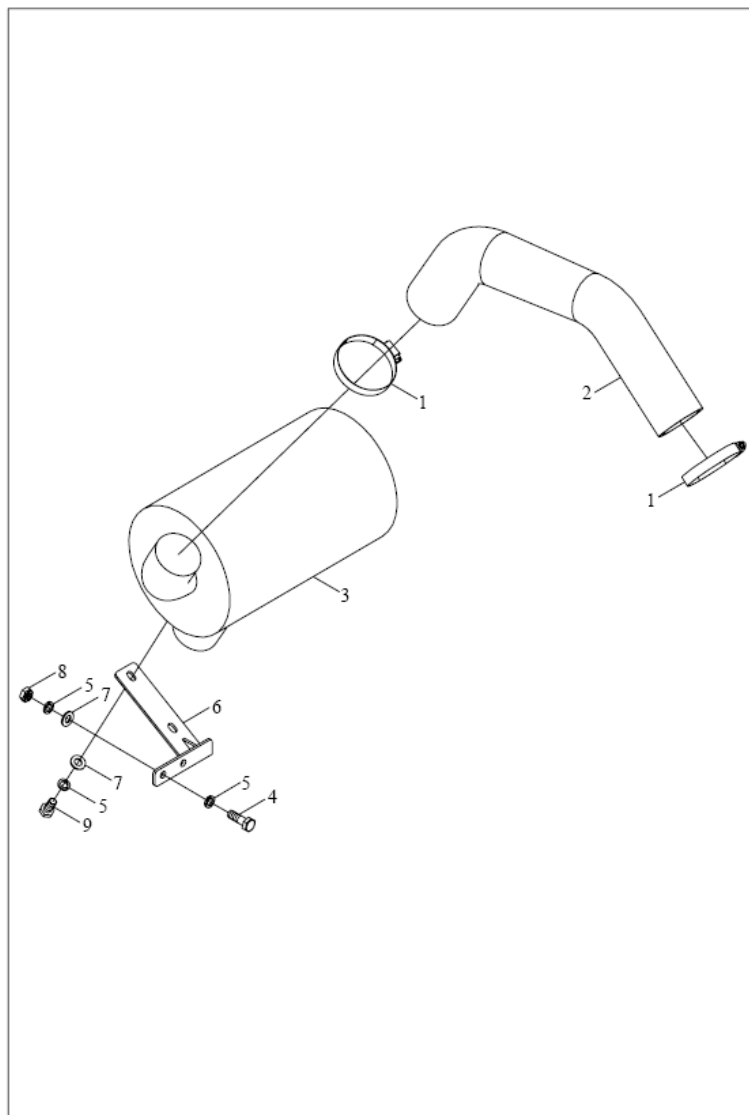
目录 CONTENTS

序号 No.	代码 Code	名称 Description	页次 Page
26	TB450.391	39.1-LEFT FINAL TRANSMISSION ASSEMBLY	55
27	TB450.392	39.2-RIGHT FINAL TRANSMISSION ASSEMBLY	59
28	TB400.411C	41.1-PTO GEAR ASSEMBLY	63
29	TB550.412A	41.2-PTO SHAFT ASSEMBLY	67
30	TB504.413A	41.3-PTO CONTROL ASSEMBLY	69
31	TB554.421E	42.1-TRANSFER CASE HOUSING ASSEMBLY	73
32	TB454.422	42.2-TRANSFER CASE TRANSMISSION ASSEMBLY	77
33	TB604.433F-1		79
34	TB604.433F-2		81
35	TB604.433F-3		83
36	TC02440020000K	44SEAT INSTALLATION ASSEMBLY	87
37	TB604.457	45.7-FRONT CONNECTING ASSEMBLY	89
38	TC02461020000K	SAFETY FRAME INSTALLATION ASSEMBLY	91
39	TC02471050000K	47.1-BONNET ASSEMBLY	95
40	TB400B.473	47.3-BONNET LOCKING DEVICE ASSEMBLY	97
41	TB400.475A	47.5-LEFT FRONT MUD GUARD ASSEMBLY	99
42	TB400.476A	47.6-RIGHT FRONT MUD GUARD ASSEMBLY	103
43	TB550.477E	47.7-BONNET EXTENSION PLATE ASSEMBLY	107
44	TB450.485A	48.5-BATTERY INSTALLATION ASSEMBLY	109
45	TL01487040000K	48.7-INSTRUMENT COMBINATION ASSEMBLY	111
46	FT300.49.001	49-TOOL BOX ASSEMBLY	113
47	TB604.504	50.4-OIL CONVEYING PIPE ASSEMBLY	115
48	TB400.53B	53-TOW EQUIPMENT ASSEMBLY	117
49	TB504.553	HYDRAULIC AUXILIARY OIL TANK ASSEMBLY	119
50	TB300.583A	58.3-SINGLE-WAY HYDRAULIC OUTPUT ASSEMBLY 2	121

目录 CONTENTS

序号 No.	代码 Code	名称 Description	页次 Page
51	TB400.74D	74-FRONT BALLAST BRACKET ASSEMBLY	123
52	TC02561040000K-1	SUSPENSION MECHANISM ASSEMBLY-1	125
53	TC02561040000K-2	SUSPENSION MECHANISM ASSEMBLY-2	129

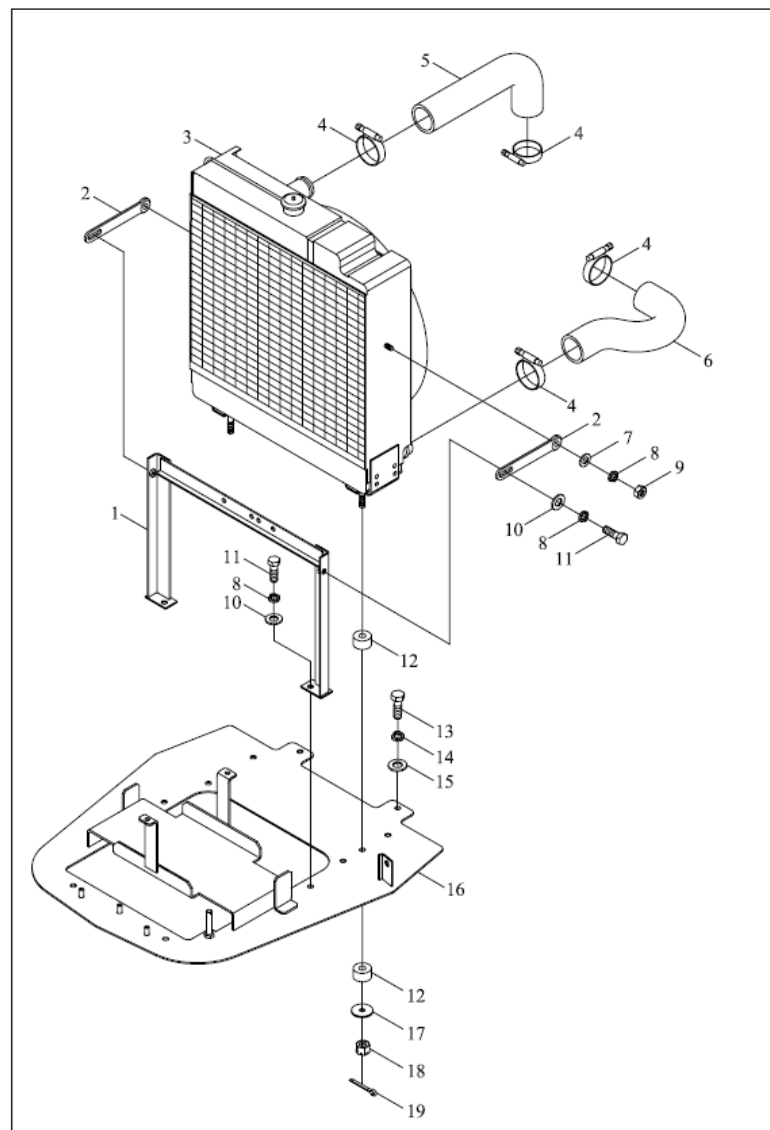
TB400.11 空气滤清系总成



TB400.11 11-空气滤清系总成 11-AIR CLEANER ASSEMBLY

标号 No.	代号 Code	名称 Description	数量 Quantity	备注 Remark
0	TB400.11.1-05	AIR FILTER CORE	1	2011-11_
0	TB400.11.1-05	AIR FILTER CORE	1	2011-11_
1	Q67683	Clip	2	2011-11_
2	TB400.11-01	AIR INLET HOSE OF AIR FILTER	1	2011-11_
3	TB400.11.1	AIR FILTER ASSEMBLY	1	2011-11_
3.1	TD900.11A-01	AIR FILTER MAINTENANCE INDICATOR	1	2011-01_
4	GBT5783-M8X25-A2L	BOLT	2	2011-11_
5	GBT93-8-A0P	WASHER	6	2011-11_
6	TB400.11.2	AIR FILTER ASSEMBLY BRACKET WELDMENT	1	2011-11_
7	GBT97.1-8-A0P	WASHER	4	2011-11_
8	GBT6170-M8-A2L	NUT	2	2011-11_
9	GBT5783-M8X16-A2L	BOLT	2	2011-11_

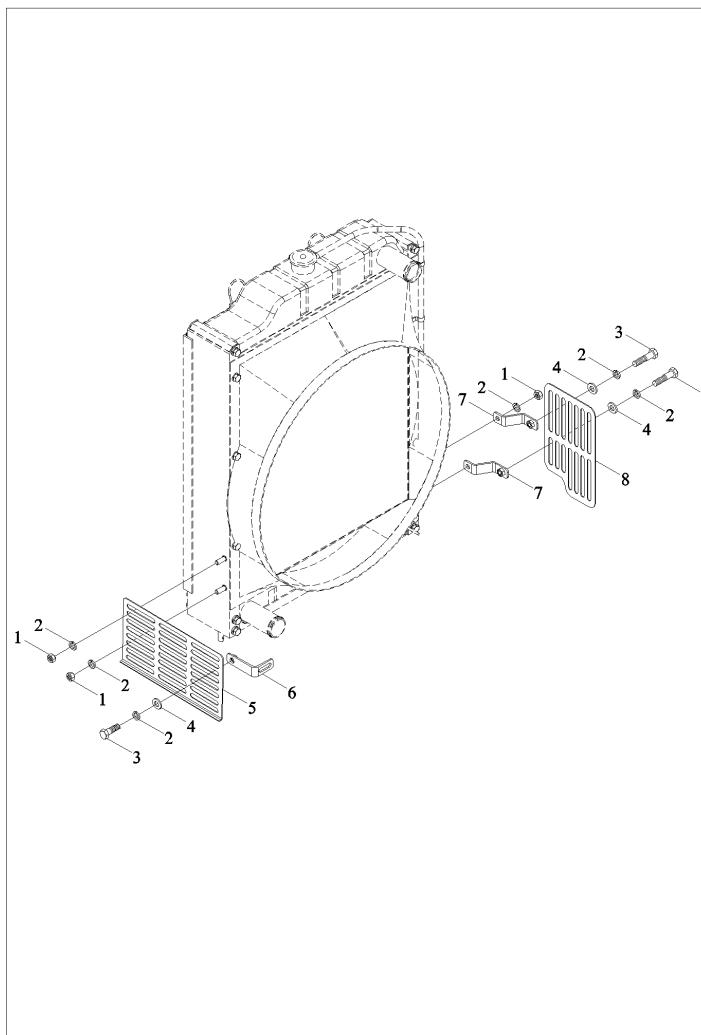
TB500.13Y Cooling system assembly



TB500.13Y 13-冷却系总成 13-COOLING SYSTEM ASSEMBLY

标号 No.	代号 Code	名称 Description	数量 Quantity	备注 Remark
1	TB500.13Y.5	AIR FILTER ASSEMBLY BRACKET	1	2011-11_
10	GBT97.1-8-A0P	WASHER	6	2011-11_
11	GBT5783-M8X20-A2L	BOLT	6	2011-11_
12	FT650.13.112	RUBBER PAD BLOCK	4	
12.1	TD800.131-11	RUBBER PAD BLOCK	2	2011-08_
12.2	TA700.131-01	RUBBER PAD BLOCK	2	2011-08_
13	GBT5783-M10X20-A3L	BOLT	2	2011-11_
14	GBT93-10-A0P	WASHER	2	2011-11_
15	GBT97.1-10-A0P	WASHER	2	2011-11_
16	TB500.13Y.2	RADIATOR BACKING BOARD WELDMENT	1	2011-11_
17	FT650.13.116	WASHER	2	2011-11_
18	GBT6178-M10-A3L	NUT (PAGE81)	2	2011-11_
19	GBT91-2.5X28-A0P	PIN	2	2011-11_
2	TB500.13E.2	PULL ROD UNIT	2	2010-01_
2	TB550.13.2	PULL ROD UNIT	2	2004-01_
20	TA700.131-02	SLEEVE	2	2011-08_
3	TB500.13.2	RADIATER ASSEMBLY	1	2011-11_
4	Q67650	B-TYPE WORM TRANSMISSION HOSE CLAMP	4	
5	TB500.13-01	WATER TANK INLET HOSE	1	2011-11_
5	TB500.13-01	WATER TANK INLET HOSE	1	2011-11_
6	FT450.13.102	WATER TANK OUTLET HOSE	1	2011-11_
7	GBT96-8-A0P	WASHER	2	2011-11_
8	GBT93-8-A0P	WASHER	8	2011-11_
9	GBT6170-M8-A2L	NUT	2	2011-11_
	TB550.13C.2	RADIATER ASSEMBLY	2	

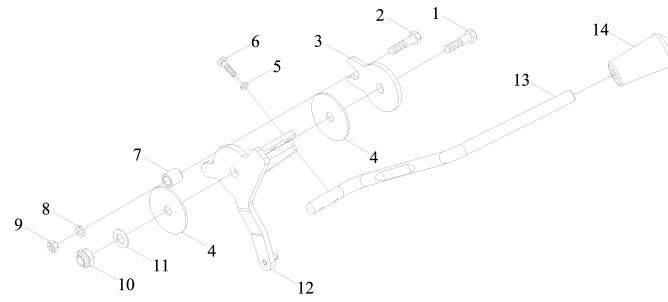
TB500.133B 水箱护网安装总成



TB500.133B 13.3-水箱护网安装总成 GUARD NET

标号 No.	代号 Code	名称 Description	数量 Quantity	备注 Remark
1	GBT6170-M8-8-A2L	I-TYPE HEXAGON NUT	4	2013-08_
2	GBT93-8-A0P	WASHER	7	2013-08_
3	GBT5783-M8X20-8.8-A2L	BOLT	3	2013-08_
4	GBT97.1-8-A0P	WASHER	3	2013-08_
5	TB500.133B-01	LEFT GUARD PLATE	1	2013-08_
6	TB500.133B.3	HOOP	1	2013-08_
7	TB500.133B.2	PULL PLATE WELD	2	2013-08_
8	TH404.133-01	RIGHT GUARD PLATE	1	2013-08_

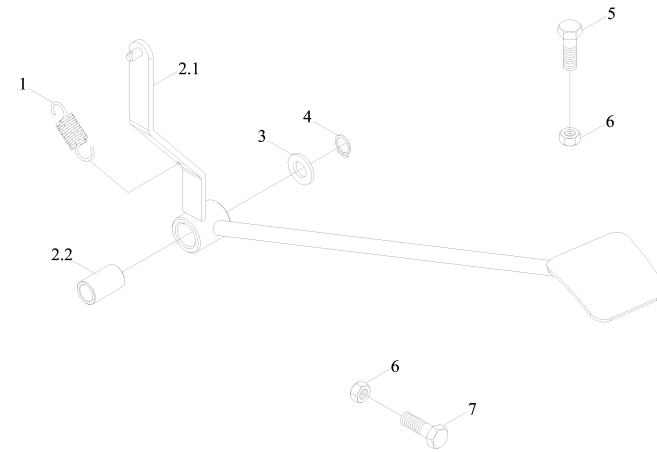
TB604.201A 手油门总成



TB604.201A 20.1-手油门总成 20.1-HAND THROTTLE ASSEMBLY

标号 No.	代号 Code	名称 Description	数量 Quantity	备注 Remark
1	GBT5783-M10X40-8.8-A3L	BOLT	1	2012-01_
10	GBT1337-M10	NUT	1	2012-01_
11	GBT1972-20X10.2X1.1X1.55	DISC SPRING	1	2012-01_
12	TB604.201A.1		1	2012-01_
13	TB604.201A-01	ROCKER	1	2012-01_
14	LA754.201-01	HANDLE	1	2012-01_
2	GBT5783-M8X35-8.8-A2L	BOLT	1	2012-01_
3	LA754.201-02	LIMIT PLATE	1	2012-01_
4	LA754.201-03	ATTRITION DISK	2	2012-01_
5	GBT93-6-A0P	SPRING WASHER	2	2012-01_
6	GBT818-M6X20-4.8-A2L	SCREW	2	2012-01_
7	LA754.201-04	LIMITING SLEEVE	1	2012-01_
8	GBT93-8-A0P	WASHER	1	2012-01_
9	GBT6170-M8-8-A2L	I-TYPE HEXAGON NUT	1	2012-01_

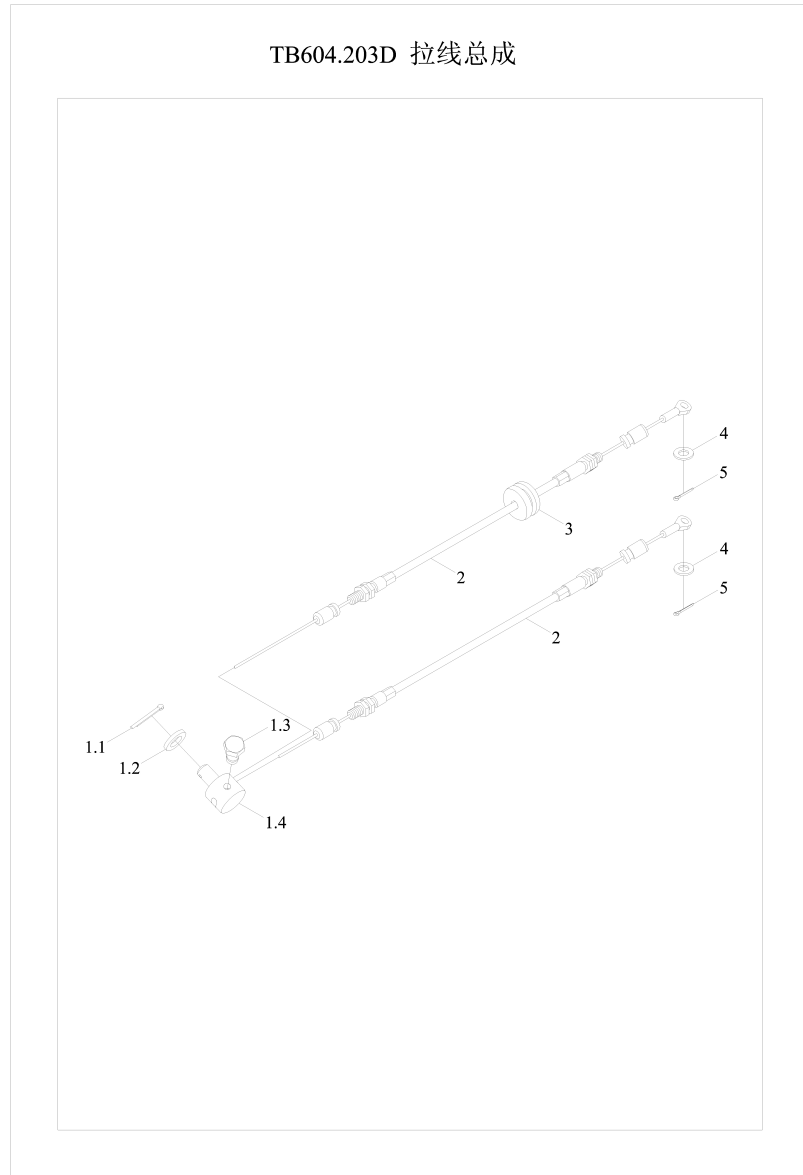
TB604.202A 脚油门总成



TB604.202A 20.2-脚油门总成 20.2-FOOT THRORRLE ASSEMBLY

标号 No.	代号 Code	名称 Description	数量 Quantity	备注 Remark
1	TB604.202A-01	RETURN SPRING	1	2012-01_
2	TB604.202A.1		1	2012-01_
2.1	TB604.202A.1.1		1	2012-01_
2.2	TB604.202A.1-01		1	2012-01_
3	GBT97.1-12-A0P	WASHER	1	2012-01_
4	GBT894.1-12	SNAP RING	1	2012-01_
5	GBT5783-M8X40-8.8-A2L	BOLT	1	2012-01_
6	GBT6170-M8-8-A2L	I-TYPE HEXAGON NUT	2	2012-01_
7	GBT5782-M8X55-8.8-A2L	BOLT	1	2012-01_

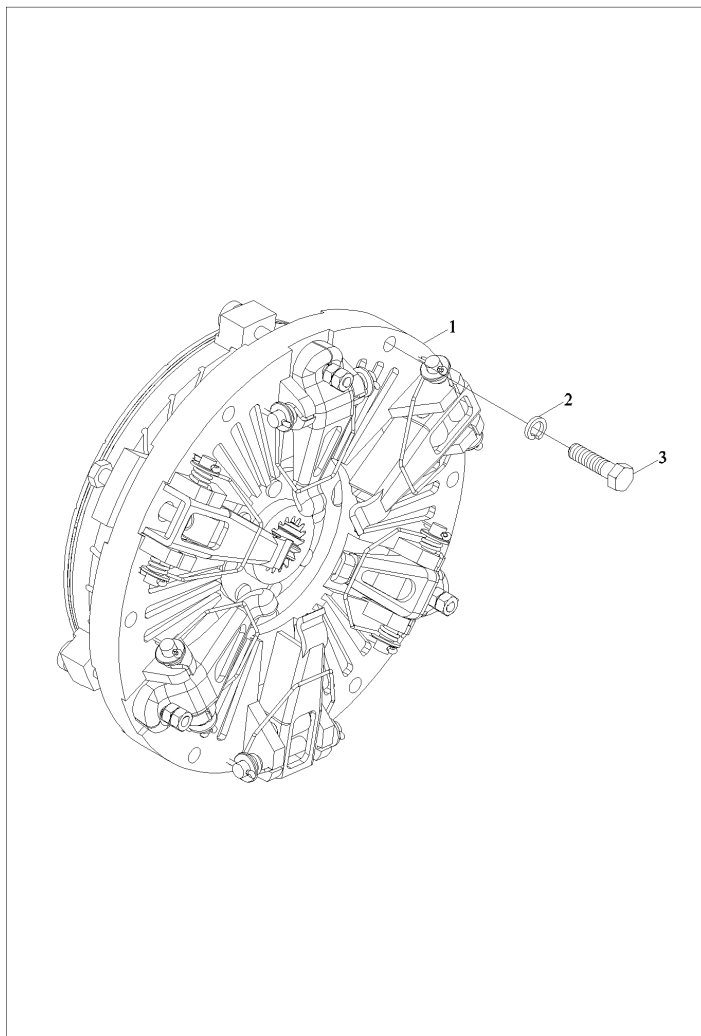
TB604.203D 拉线总成



TB604.203D 20.3-拉线总成 20.3-PULL WIRE ASSEMBLY

标号 No.	代号 Code	名称 Description	数量 Quantity	备注 Remark
1	TF1354.203.1	RETAINER	1	2012-01_
1.1	GBT91-1.6X12-A0P	PIN	1	2012-01_
1.2	GBT848-6-A0P	WASHER	1	2012-01_
1.3	GBT5781-M5X10-4.8-A2L	BOLT	1	2012-01_
1.4	TF1354.203.1-01	RETAINER	1	2012-01_
2	TB604.203B.1	HAND THROTTLE WIRE ASSEMBLY	2	2012-01_
3	TG1204.20A-02	THROUGH HARNESS WASHER	3	2012-01_
4	GBT97.1-6-A0P	WASHER	2	2012-01_
5	GBT91-2X12	PIN	2	2012-01_

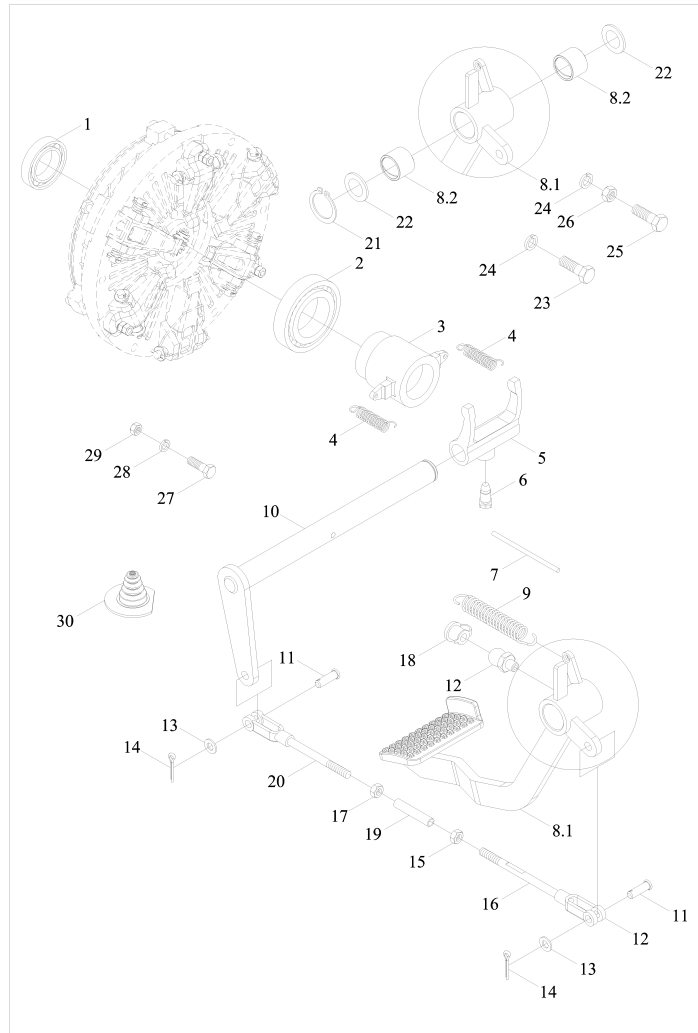
TB550.211B 离合器总成



TB550.211B 21.1-离合器总成 21.1-CLUTCH ASSEMBLY

标号 No.	代号 Code	名称 Description	数量 Quantity	备注 Remark
1	TB550.211B.1	21.1-CLUTCH ASSEMBLY	1	2013-08_
2	GBT93-8-A0P	WASHER	12	2013-08_
3	TD800.212B-02	BOLT M8X95	12	2013-08_

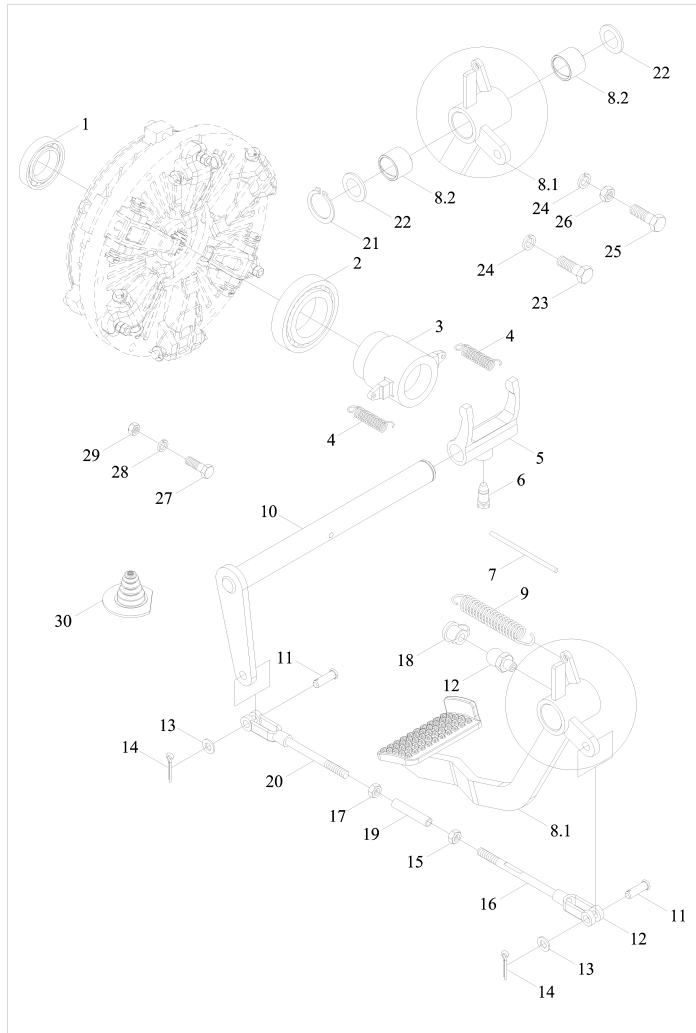
TB604.212 离合器操纵总成



TB604.212 21.2-离合器操纵总成 21.2-CLUTCH CONTROL ASSEMBLY

标号 No.	代号 Code	名称 Description	数量 Quantity	备注 Remark
1	GBT276-6204-2RS	BEARING	1	2012-01_
10	TB604.212.3		1	2012-01_
11	GBT882-B10X32	PIN	2	2012-01_
12	JBT7940.1-M8X1	STRAIGHT PRESSURE FILLING OIL CUP	1	2012-01_
13	GBT97.1-10-A0P	WASHER	2	2012-01_
14	GBT91-3.2X20-A0P	PIN	2	2012-01_
14	GBT91-3.2X20-A0P	PIN	2	2012-01_
15	GBT6171-M12X1.5-8-A3L	NUT	1	2012-01_
16	TB604.212.5	UPPER PULL ROD WELDMENT	1	2012-01_
17	GBT6171-M12X1.5-LH-8-A3L	NUT	1	2012-01_
18	TD800.311C.1-01	DUSTPROOF CAP OF OIL CUP	1	2012-01_
18	TD800.311C.1-01	DUSTPROOF CAP OF OIL CUP	1	2012-01_
19	TE354.433-03		1	2012-01_
2	TA800.212-02	THRUST BEARING	1	2012-01_
20	TB604.212.6	LOWER PULL ROD WELDMENT	1	2012-01_
21	GBT894.1-25	RETAINER RING	1	2012-01_
22	TE250.433C-02	WASHER	2	2012-01_
23	GBT5783-M10X40-8.8-A3L	BOLT	6	2012-01_
24	GBT93-10-A0P	WASHER	7	2012-01_
25	GBT5783-M10X70-8.8-A2L	BOLT	1	2012-01_
26	GBT6170-M10-8-A3L	NUT	1	2012-01_
27	GBT5786-M8X1X30-8.8-A2L	BOLT	1	2012-01_
28	GBT93-8-A0P	WASHER	1	2012-01_
29	GBT6173-M8X1-05-A2L	NUT	1	2012-01_
3	FT400.21B.101	RELEASE BEARING SEAT	1	2012-01_

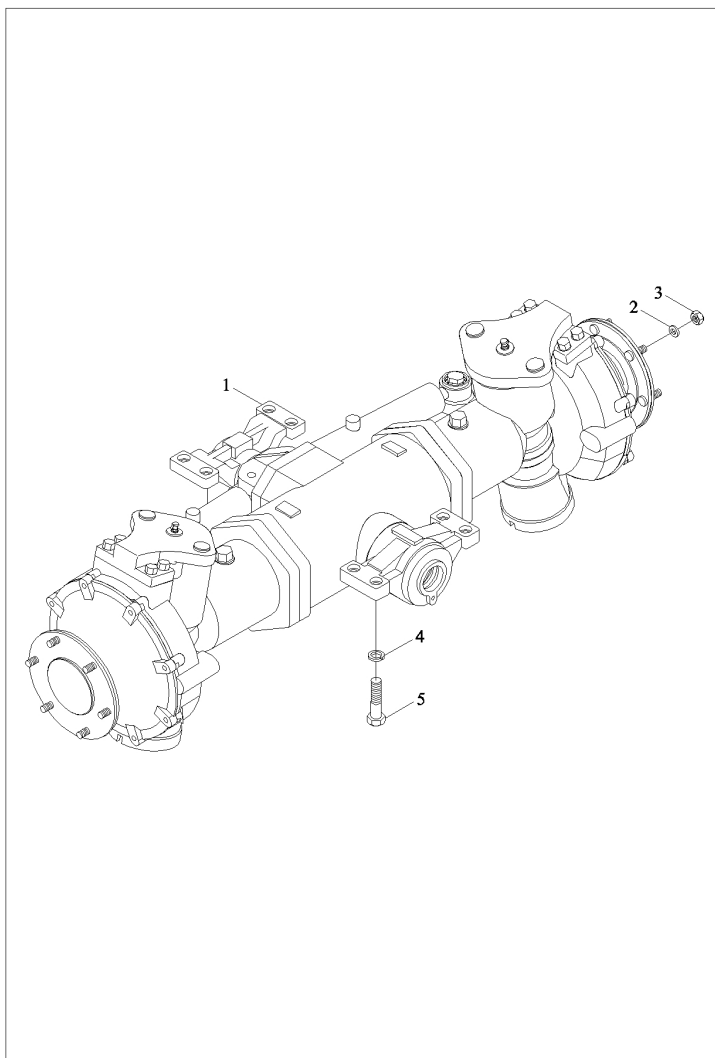
TB604.212 离合器操纵总成



TB604.212 21.2-离合器操纵总成(续)

标号 No.	代号 Code	名称 Description	数量 Quantity	备注 Remark
30	TB604.212-02		1	2012-01_
4	FT300.21.102	THRUST BEARING SEAT RETURN SPRING	2	2012-01_
5	FT300.21.103	RELEASE SHIFT FORK	1	2012-01_
6	FT300.21.113	THRUST SCREW	1	2012-01_
7	TA800.212B-02	LOW CARBON STEEL WIRE	1	2012-01_
8	TB604.212.1		1	2012-01_
8.1	TB604.212.1.1	CLUTCH PEDAL WELDMENT	1	2012-01_
8.2	FT300.37.159	RELEASE FORK SHAFT BUSH	2	2012-01_
9	TD800.43-01	PEDAL RETURN SPRING	1	2012-01_

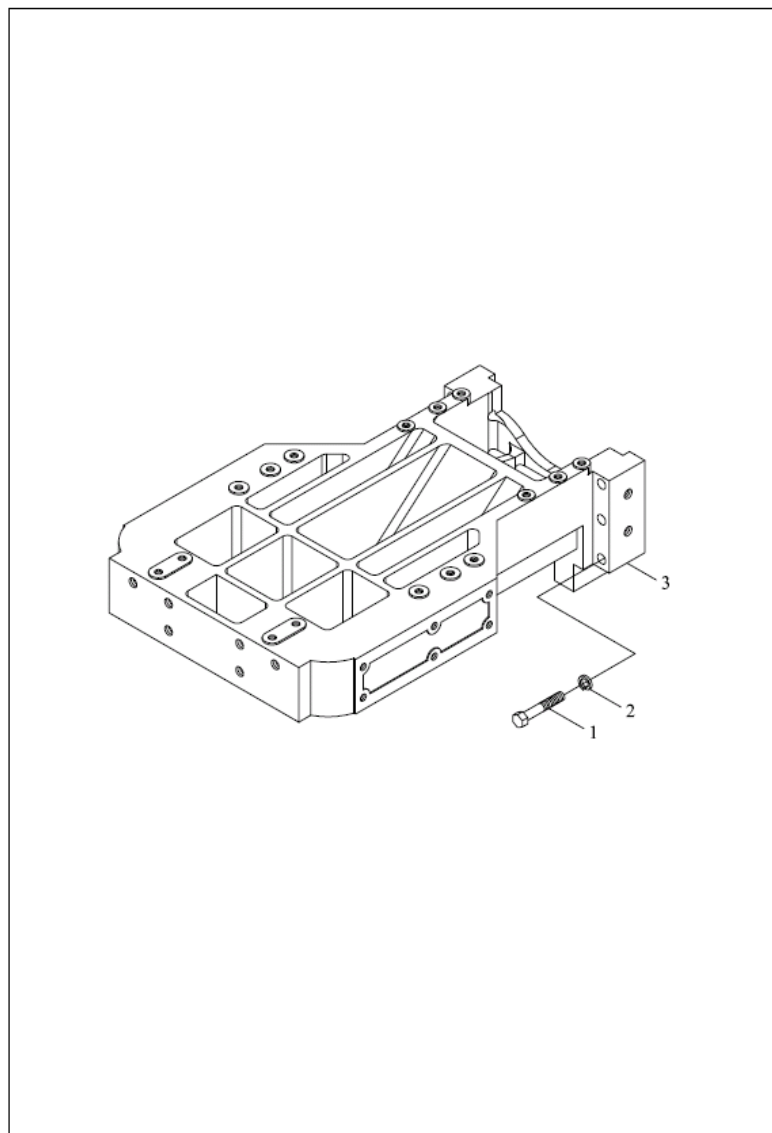
TC02311020000 前驱动桥总成-1



TC02311020000-1 31.1-前驱动桥总成 31.1-FRONT DRIVING AXLE ASSEMBLY

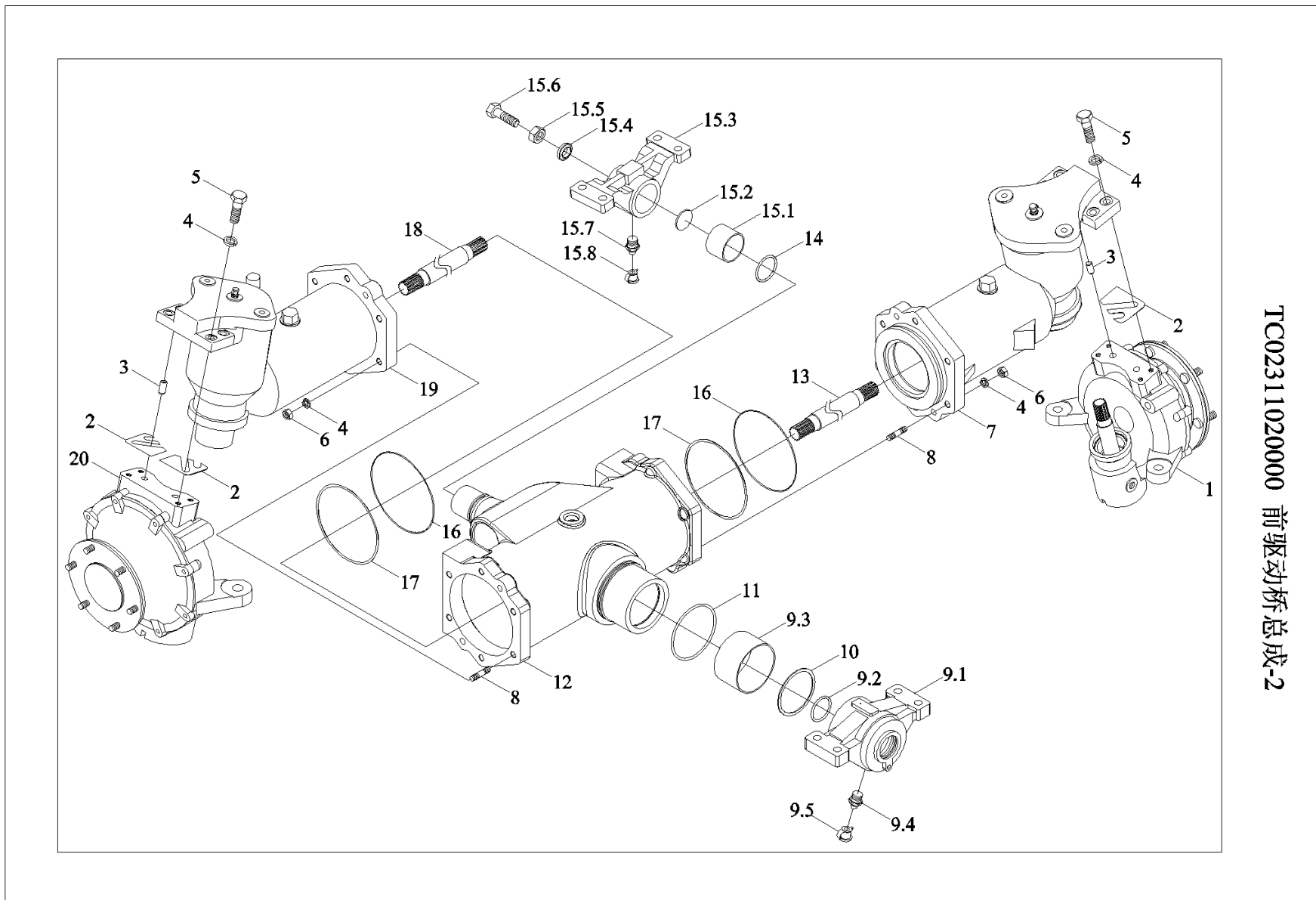
标号 No.	代号 Code	名称 Description	数量 Quantity	备注 Remark
1	TC02311020001	FRONT DRIVING AXLE SUB-ASSEMBLY	1	2014-04_
2	FT400.31B.103	WASHER	12	2014-04_
4	GBT93-14-A0P	SPRING WASHER	8	2014-04_
4	GBT93-14-A0P	SPRING WASHER	8	2014-04_
5	GBT5783-M14X45-10.9-A3L	BOLT	8	2014-04_

TB554.312Front tray assembly



TB554.312 31.2-前托架总成 31.2-FRONT BRACKET ASSEMBLY

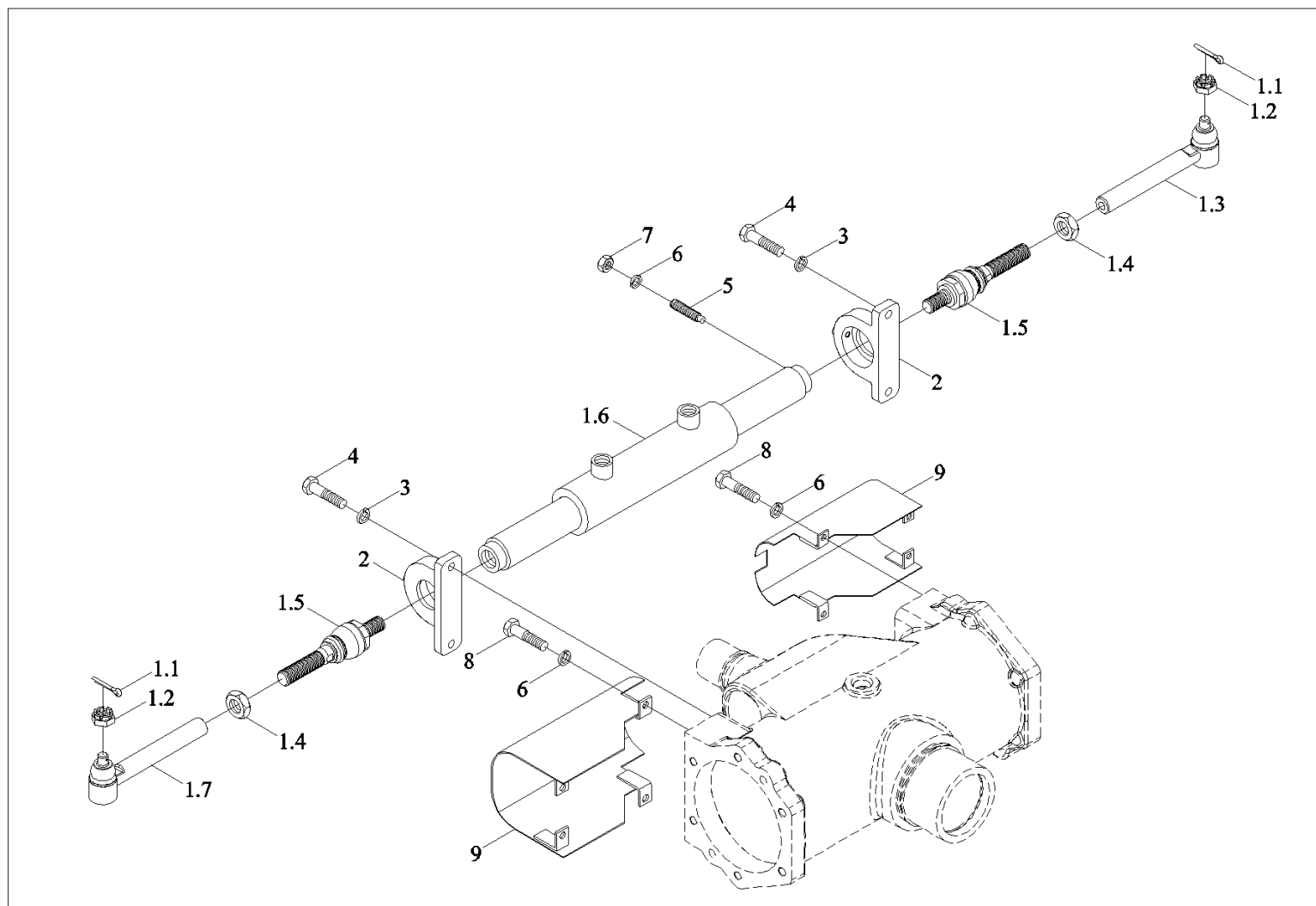
标号 No.	代号 Code	名称 Description	数量 Quantity	备注 Remark
1	GBT5782-M16X110-10.9-A2L	BOLT	6	2011-11_
2	GBT93-16-A0P	SPRING WASHER	6	2011-11_
3	TB554.312-01	FRONT BRACKET	1	2011-11_



TC02311020000 前驱动桥总成-2

TC02311020000-2 31.2-前驱动桥总成 FRONT DRIVING AXLE ASSEMBLY

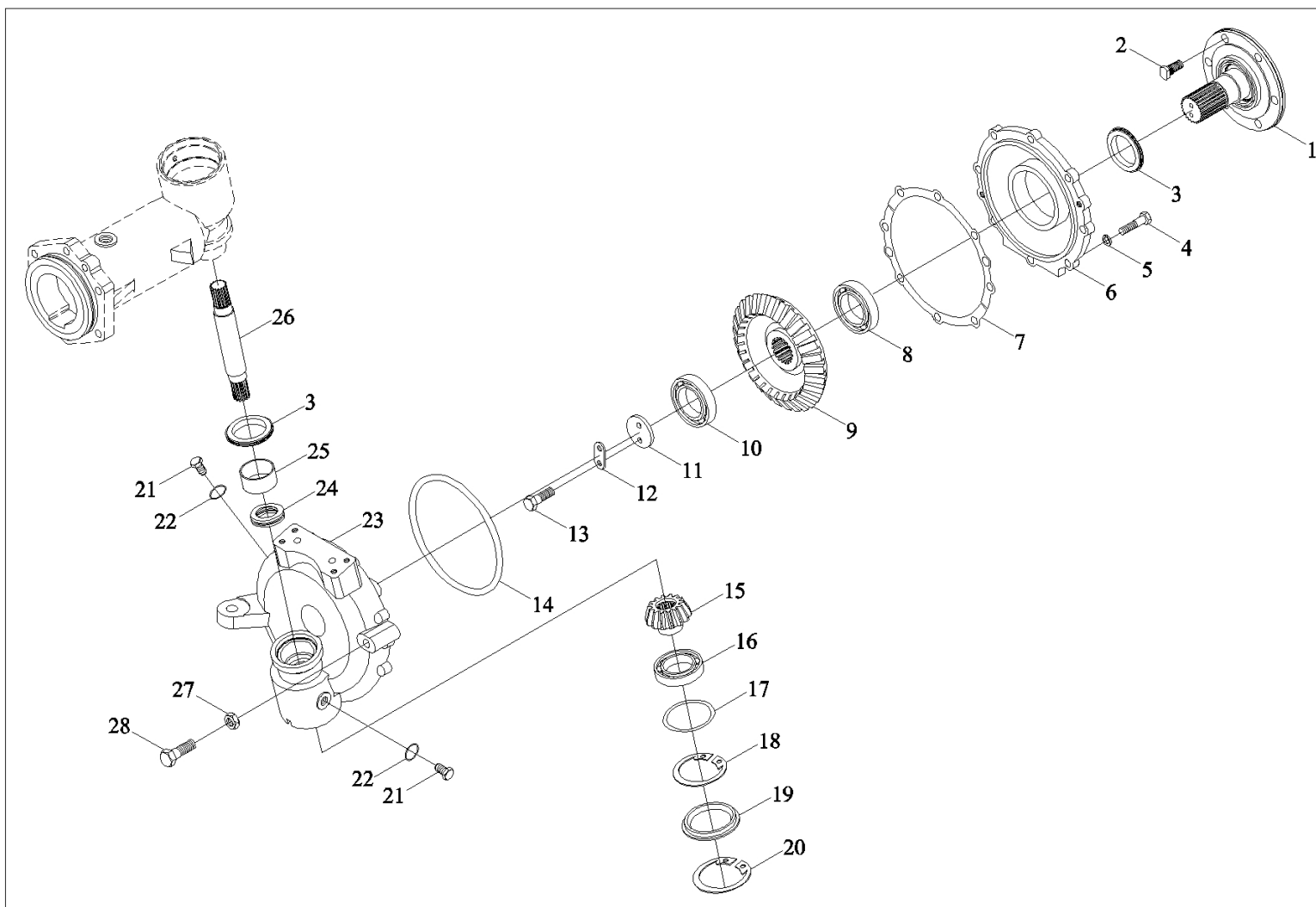
标号 No.	代号 Code	名称 Description	数量 Quantity	备注 Remark
11	GBT3452.1-97.5X3.55G	O-SEAL RING	1	2014-04_
15.2	TC02311010067	WASHER	1	2014-04_
15.5	GBT6170-M16-8-A3L	NUT	1	2014-04_
15.6	GBT5783-M16X50-8.8-A3L	BOLT	1	2014-04_
17	TC02311010081	ADJUSTING WASHER	999	2014-04_
2	TC02311010012	ADJUSTING GASKET	999	2014-04_
3	GBT119.1-12m6X22-A0P	PIN	1	2014-04_
4	GBT93-12-A0P	SPRING WASHER	24	2014-04_
5	GBT5783-M12X40-10.9-A3L	BOLT	8	2014-04_
6	GBT6170-M12-10-A3L	NUT	12	2014-04_
8	GBT899-GM12-M12X40-10.9-A3L	8.8-A3L STUD	12	2014-04_
9.2	GBT3452.1-45X3.55G	O-SEAL RING	1	2014-04_
9.4	JB/T 7940.1-M10X1	OIL CUP	1	2014-04_
9.5	TD800.311C.1-01	DUSTPROOF CAP OF OIL CUP	1	2014-04_
9.5	TD800.311C.1-01	DUSTPROOF CAP OF OIL CUP	1	2014-04_



TC02311020000 前驱动桥总成-3

TC02311020000-3 31.3-前驱动桥总成 FRONT DRIVING AXLE ASSEMBLY

标号 No.	代号 Code	名称 Description	数量 Quantity	备注 Remark
1.1	GBT91-3.2X40-A0P	PIN	2	2014-04_
1.2	TC02311010075	HEXAGON SLOTTED NUT	2	2014-04_
1.4	GBT6173-M22X1.5-05-A3L	NUT	2	
3	GBT93-12-A0P	SPRING WASHER	24	2014-04_
4	GBT5783-M12X35-10.9-A3L	BOLT	4	2014-04_
6	GBT93-8-A0P	WASHER	10	2014-04_
7	GBT6170-M8-8-A2L	I-TYPE HEXAGON NUT	2	2014-04_
8	GBT5783-M8X16-8.8-A2L	BOLT	8	2014-04_

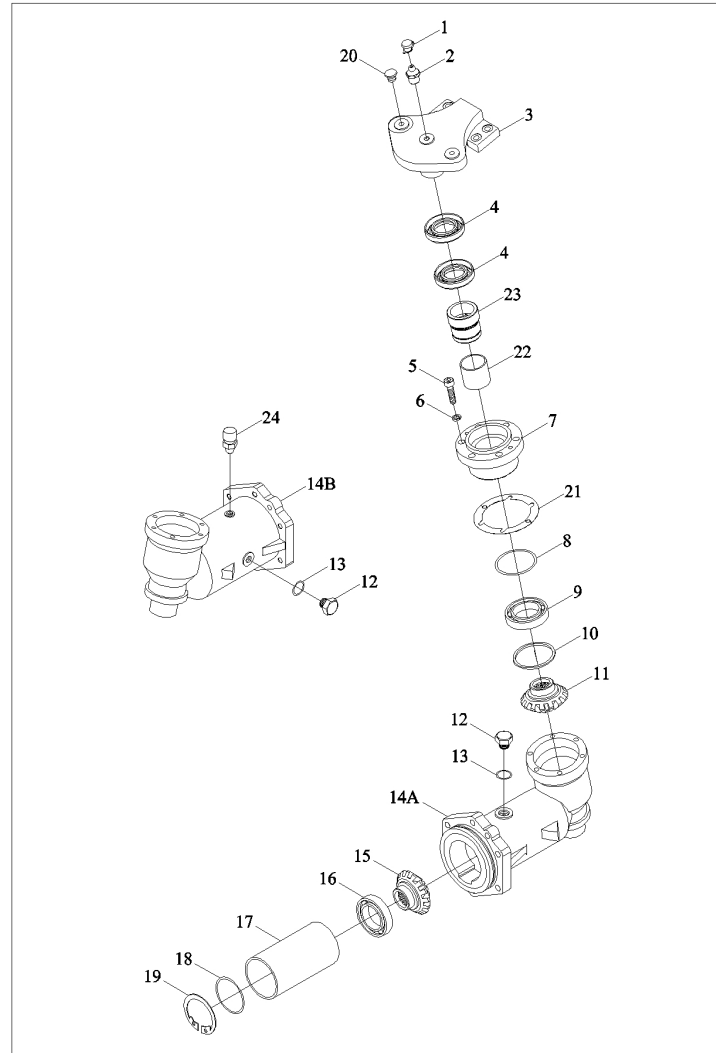


TC02311020000 前驱动桥总成-4

TC02311020000-4 31.4-前驱动桥总成 FRONT DRIVING AXLE ASSEMBLY

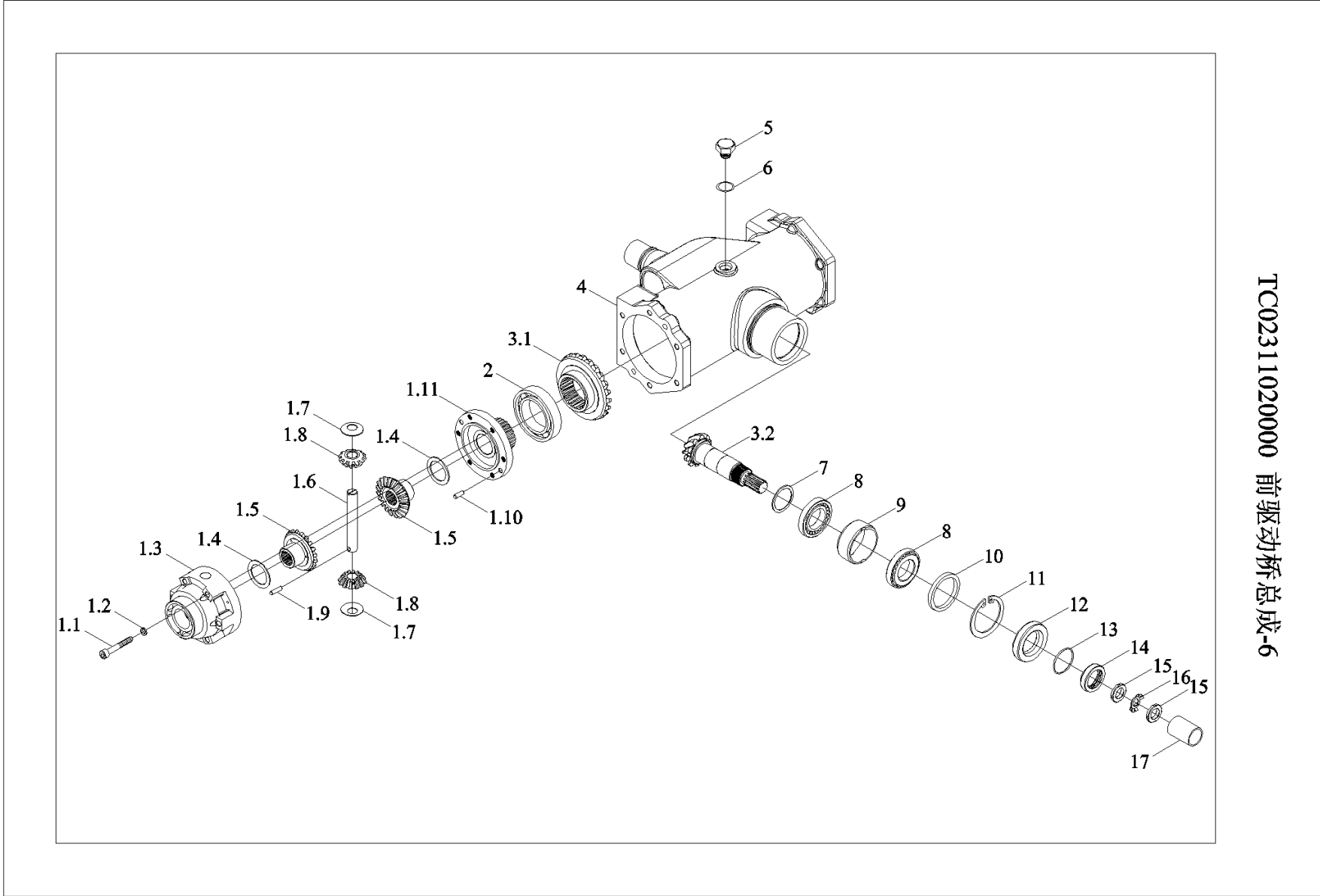
标号 No.	代号 Code	名称 Description	数量 Quantity	备注 Remark
1	TC02311020014	FRONT DRIVING SHAFT	1	2014-04_
10	GBT276-6310	BEARING	1	2014-04_
11	TC02311010055	WASHER	1	2014-04_
13	GBT5783-M8X35-8.8-A2L	BOLT	2	2014-04_
15	TC02311010053	END PINION	1	2014-04_
16	GBT276-6308	BEARING	1	2014-04_
17	TC02311010059	ADJUSTABLE WASHER	999	2014-04_
18	GBT893.1-90	RETAINER RING	1	2014-04_
2	TC02311020015	BOLT	6	2014-04_
20	GBT893.1-102	SNAP RING	1	2014-04_
22	GBT3452.1-21.2X2.65G	O-SEAL RING	2	2014-04_
24	GBT301-51107	BEARING	1	2014-04_
26	TC02311010056	END SPLINE SHAFT	1	2014-04_
27	GBT6172.1-M16-04-A3L	NUT	1	2014-04_
28	GBT5783-M16X40-10.9-A3L	BOLT	1	2014-04_
3	TC02311010032	FLOATING OIL SEAL	2	2014-04_
4	GBT5783-M10X40-10.9-A3L	BOLT	8	2014-04_
5	GBT93-10-A0P	WASHER	8	2014-04_
6	TC02311010050	BIG END COVER	1	2014-04_
7	TC02311010060	ADJUSTABLE WASHER	999	2014-04_
8	GBT276-6410	BEARING	1	2014-04_
9	TC02311010052	BIG END GEAR	1	2014-04_

TC02311020000 前驱动桥总成-5



TC02311020000-5 31.5-前驱动桥总成 FRONT DRIVING AXLE ASSEMBLY

标号 No.	代号 Code	名称 Description	数量 Quantity	备注 Remark
1	TD800.311C.1-01	DUSTPROOF CAP OF OIL CUP	1	2014-04_
1	TD800.311C.1-01	DUSTPROOF CAP OF OIL CUP	1	2014-04_
11	TC02311020018	DRIVEN GEAR	1	2014-04_
13	GBT3452.1-21.2X2.65G	O-SEAL RING	1	2014-04_
15	TC02311020017	DRIVING GEAR	1	2014-04_
16	GBT276-6309	BEARING	1	2014-04_
18	TC02311010073	ADJUSTING WASHER	999	2014-04_
19	GBT893.1-100	SNAP RING	1	2014-04_
2	JB/T 7940.1-M10X1	OIL CUP	1	2014-04_
21	TC02311010040	ADJUSTING GASKET	999	2014-04_
24	TD904.311K.1.6	VENT PLUG	1	2014-04_
3	TC02311010041	CONNECTING COVER	1	2014-04_
5	GBT70.1-M8X25-8.8	SCREW	6	2014-04_
6	GBT93-8-A0P	WASHER	6	2014-04_
9	GBT276-6211	BEARING	1	2014-04_

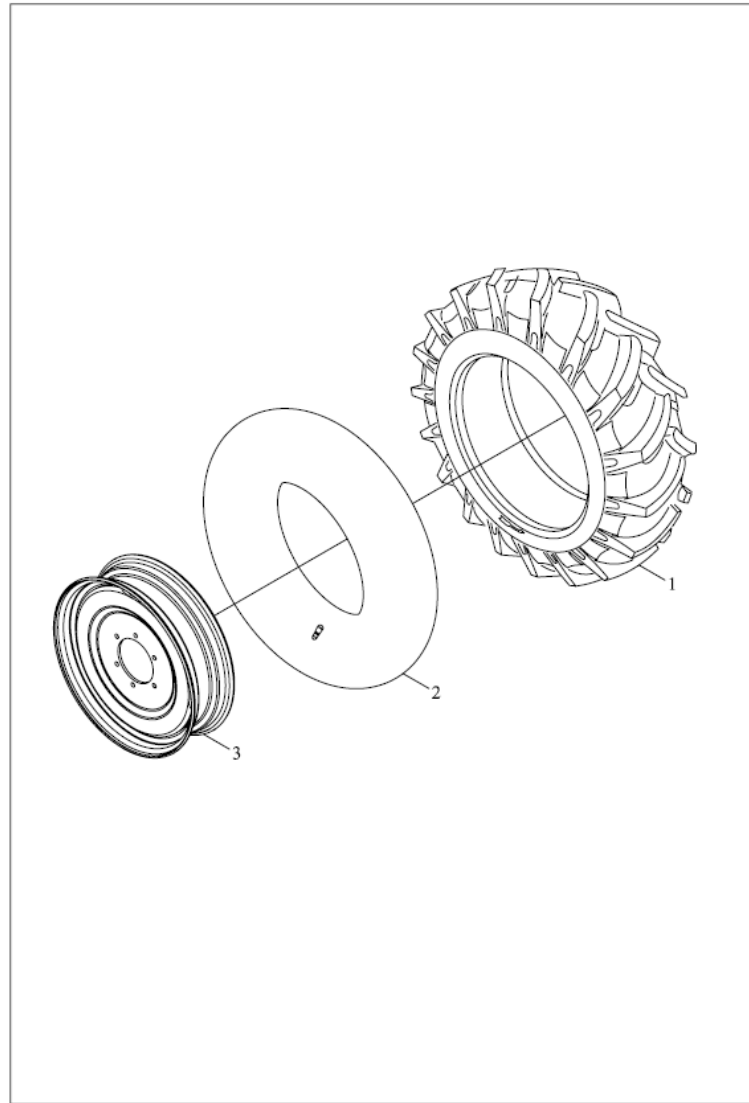


TC02311020000 前驱动桥总成-6

TC02311020000-6 31.6-前驱动桥总成 FRONT DRIVING AXLE ASSEMBLY

标号 No.	代号 Code	名称 Description	数量 Quantity	备注 Remark
1	TC02311010018	DIFFERENTIAL ASSEMBLY	1	2014-04_
1.1	GBT70.1-M10X70-8.8	SCREW	6	2014-04_
1.10	GBT119.1-8h8X20-A0P	PIN	2	2014-04_
1.11	TC02311010028	DIFFERENTIAL RIGHT HOUSING	1	2014-04_
1.2	GBT93-10	WASHER 10	6	2014-04_
1.3	TC02311010027	DIFFERENTIAL LEFT HOUSING	1	2014-04_
1.4	TC02311010030	HALF SHAFT GEAR WASHER	2	2014-04_
1.5	TC02311010035	HALF SHAFT GEAR	2	2014-04_
11	GBT893.1-80	RETAINER RING FOR HOLE	1	2014-04_
12	GBT9877.1-FB55X80X8D	OIL SEAL	1	2014-04_
13	GBT3452.1-41.2X3.55G	O-SEAL RING	1	2014-04_
2	GBT276-6216	BEARING	2	2014-04_
3.1	TC02311010029	CENTRAL TRANSMISSION BIG SPIRAL BEVEL GEAR	1	2014-04_
3.2	TC02311010020	DRIVING SPIRAL BEVEL GEAR SHAFT	1	2014-04_
6	GBT3452.1-21.2X2.65G	O-SEAL RING	1	2014-04_
8	GBT297-32208	BEARING	2	2014-04_

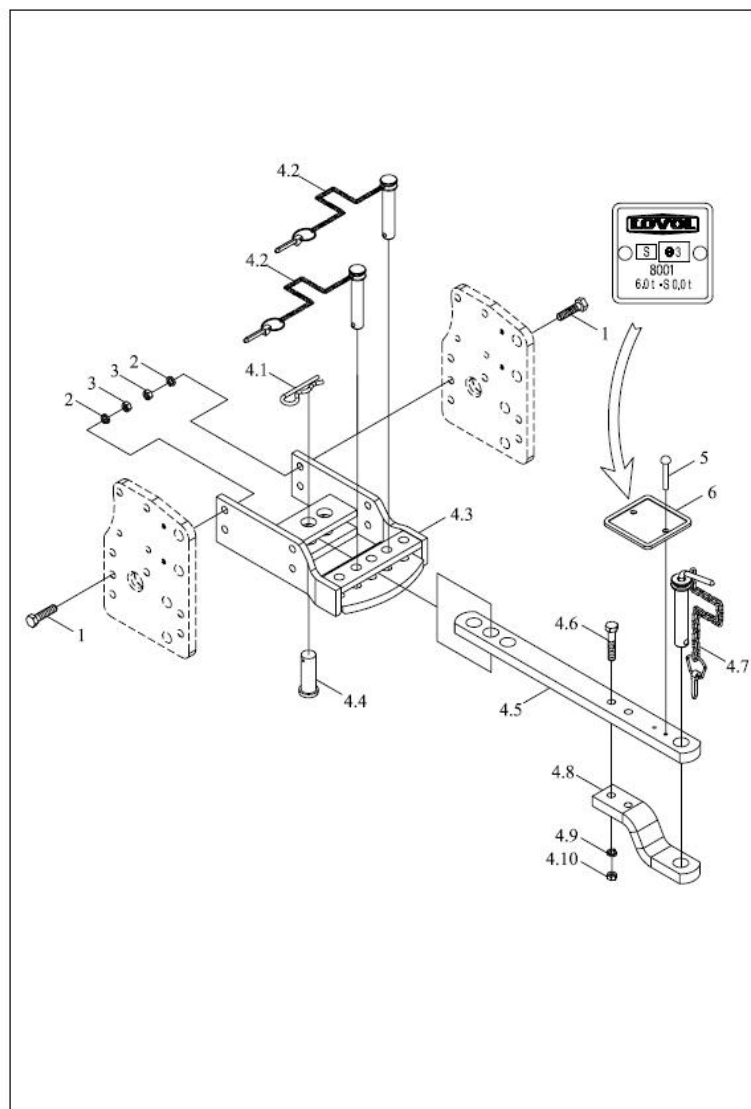
FT404.32F.001 前驱动轮总成



FT404.32F.001 32-前驱动轮总成 32-FRONT DRIVING WHEEL ASSEMBLY

标号 No.	代号 Code	名称 Description	数量 Quantity	备注 Remark
1	GBT2979-8.3-20-6PR-PR	DRIVING WHEEL OUTER TUBE	1	
2	GBT2979-8.3-20-R	DRIVING WHEEL INNER TUBE	1	2013-02_
3	FT404.32F.011	WHEEL RIM WELD	1	2011-11_

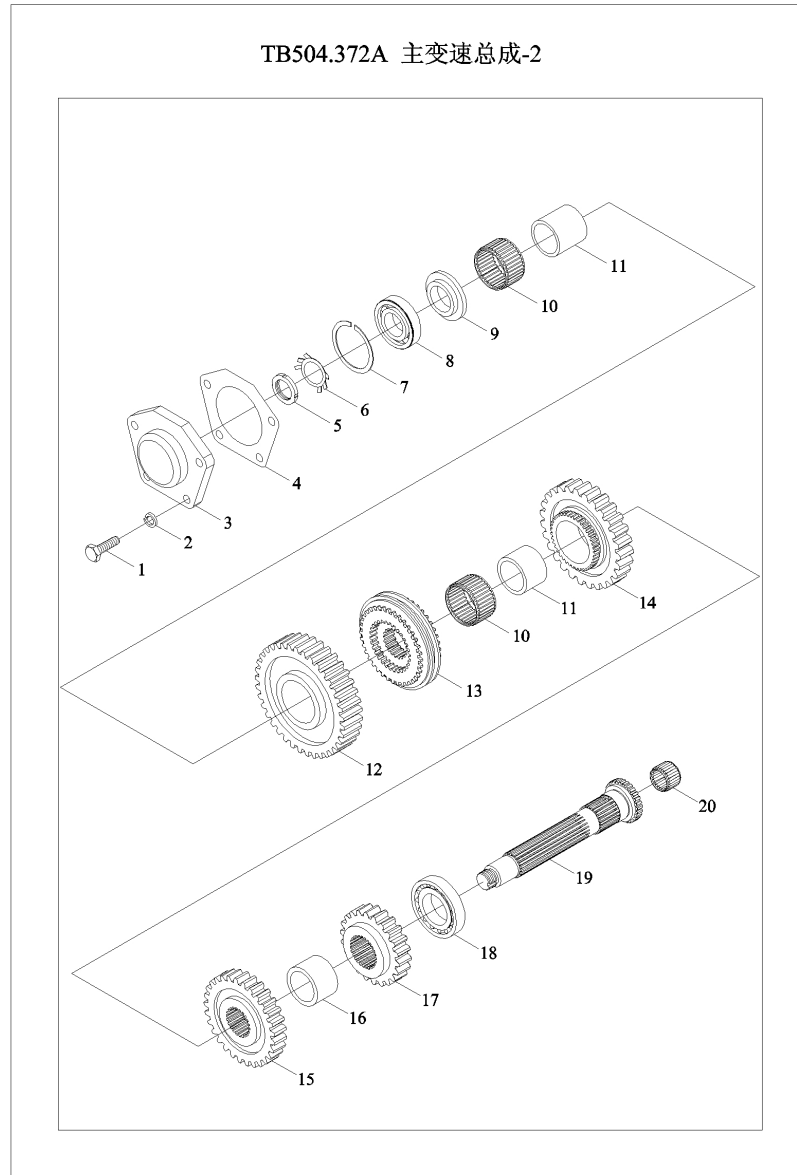
TB400.35C 牵引装置装配总成



TB400.35C 35-牵引装置装配总成 35-TRACTION EQUIPMENT MOUNTING ASSEMBLY

标号 No.	代号 Code	名称 Description	数量 Quantity	备注 Remark
1	GBT5783-M16X60-A3L	BOLT	8	2012-07_
2	GBT93-16-A0P	SPRING WASHER	8	2012-07_
3	GBT6170-M16-A3L	NUT	8	2012-07_
4	TB400.35C.1	TRACTION DEVICE ASSEMBLY	1	2012-07_
4.1	FT65.53.103	SPRING LOCK PIN	1	2012-07_
4.2	TB400.35.1.1	LIMITING PIN AND LOCK PIN ASSEMBLY	2	2012-07_
4.3	TB400.35C.1.1	TRACTION FRAME	1	2012-07_
4.4	FT300.35A.103	CONNECTING PIN	1	2012-07_
4.5	TB400.35C.1-01	UPPER PART U-HOOK	1	2012-07_
4.6	TB400.35.1-03	BOLT	2	2012-07_
4.7	TB400.35.1.2	TOWING PIN AND LOCK PIN ASSEMBLY	1	2012-07_
4.8	TB400.35.1-02	CONNECTING SWING ROD	1	2012-07_
5	GBT827-3X8	SCUTCHEON RIVET	2	2012-07_
6	TB400.35-01	TOWING SIGN PLATE	1	2012-07_

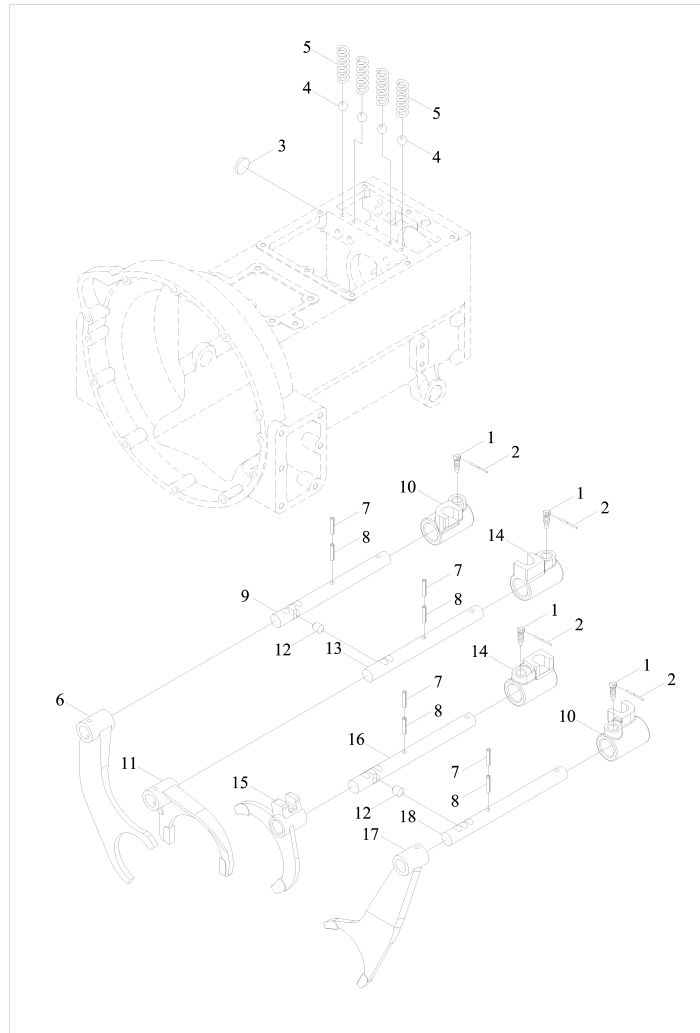
TB504.372A 主变速总成-2



TB504.372A-2 37.2.2-主变速总成-2 MAIN TRANSMISSION ASSEMBLY-2

标号 No.	代号 Code	名称 Description	数量 Quantity	备注 Remark
10	TB550.372-05	NEEDLE BEARINGS	2	2013-08_
11	FT300.37M.114	I-II GEAR BUSH	2	2013-08_
12	TB604.372T-10	I DRIVEN GEAR	1	2013-08_
13	TE354.361T.3	SYNCHRONIZER ASSEMBLY	1	2013-08_
14	TB604.372T-09	II DRIVEN GEAR	1	2013-08_
15	TB604.372T-07	III DRIVEN GEAR	1	2013-08_
16	FT300.37.110	III-IV GEAR SPACER	1	2013-08_
17	TB604.372T-06	IV DRIVEN GEAR	1	2013-08_
18	GBT283-NUP208E	BEARING	1	2013-08_
19	TB604.372T-08	SHAFT II	1	2013-08_
2	GBT93-8-A0P	WASHER	4	2013-08_
20	TB550.372-17	BEARING	1	2013-08_
3	FT300.37.120	SHAFT II BEARING COVER	1	2013-08_
4	FT300.37.119	SHAFT II BEARING COVER PAPER GASKET	1	2013-08_
5	GBT812-M24X1.5	ROUND NUT	1	2013-08_
6	GBT858-24	THRUST RING	1	2013-08_
7	GBT305-72-78.6	THRUST RING	1	2013-08_
8	GBT276-6306N	BEARING	1	2013-08_
9	TB604.372T-11	SHAFT II END RETAINER RING	1	2013-08_

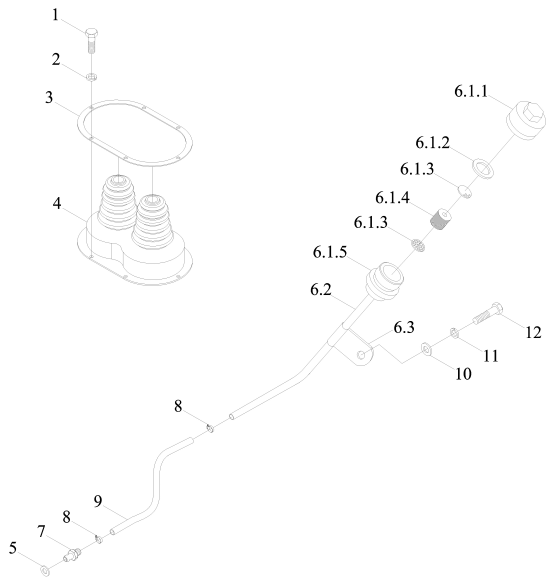
TB604.374D 变速箱操纵机构总成-1



TB604.374D-1 37.4-变速箱操纵机构总成-1 37.4-GEARBOX CONTROL MECHANISM ASSEMBLY-1

标号 No.	代号 Code	名称 Description	数量 Quantity	备注 Remark
1	TB504.374-01	LOCKING SCREW	4	2012-01_
10	TB604.374B-05	I-II GEAR FORK HEAD	2	2012-01_
11	FT300.37.145	AUXILIARY GEARSHIFT FORK	1	2012-01_
12	FT300.37.151	MUTUAL PIN	2	2012-01_
13	TB604.374D-01	AUXILIARY GEARSHIFT DIAL HEAD	1	2012-01_
14	TB604.374B-06	III-IV FORK HEAD	2	2012-01_
15	TB604.374A-01	GEAR FORK	1	2012-01_
16	TB604.374B-02	III-IV FORK SHAFT	1	2012-01_
17	TB604.374A-04	GEAR FORK	1	2012-01_
18	TB604.374B-01	I-II GEAR FORK SHAFT	1	2012-01_
2	TF1004.374-02	LOW CARBON STEEL WIRE	4	2012-01_
3	Q72214	PLUG PIECE	2	2012-01_
4	GBT308-8-G100-B	BALL	4	2012-01_
5	FT300.37.135	FORK SHAFT LOCATING SPRING	4	2012-01_
6	TB550.374-03a	HIGH AND LOW GEAR FORK	1	2012-01_
7	GBT879.1-3X24	PIN	4	2012-01_
8	GBT879.1-5X24	PIN	4	2012-01_
9	TB604.374B-03	HIGH AND LOW GEAR FORK SHAFT	1	2012-01_

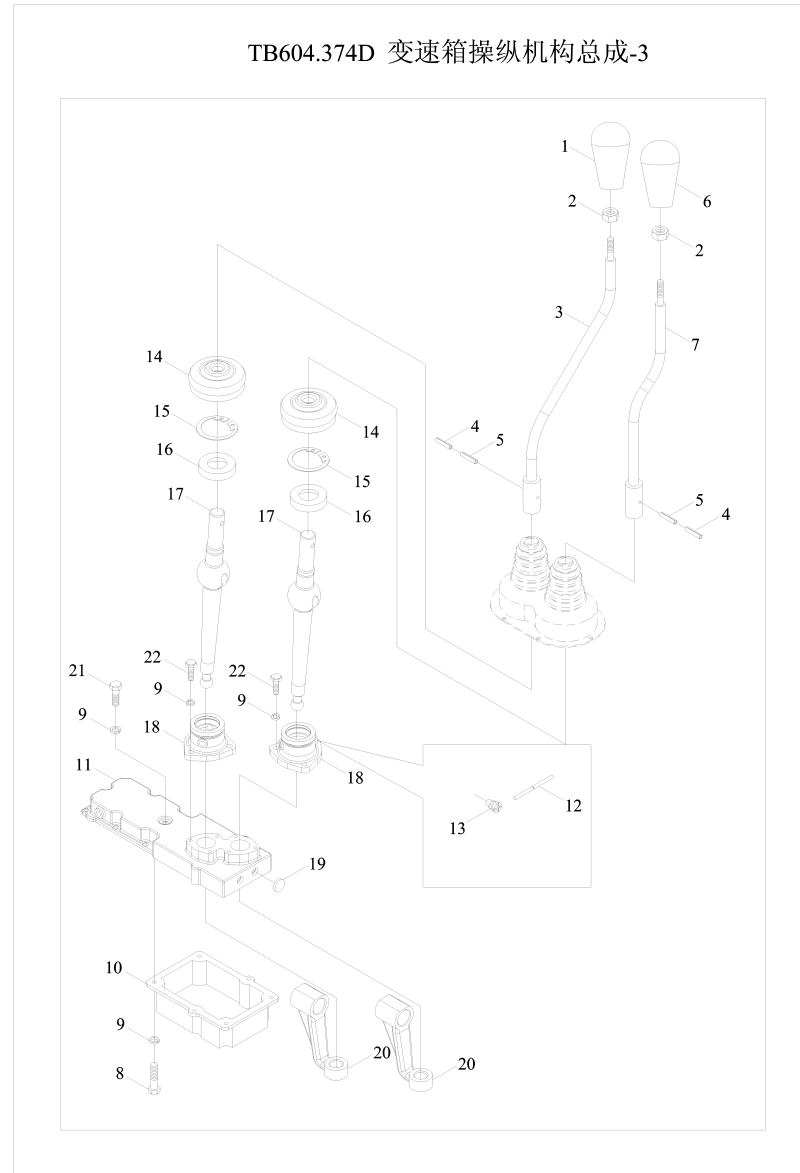
TB604.374D 变速箱操纵机构总成-2



TB604.374D-2 37.4-变速箱操纵机构总成-2

标号 No.	代号 Code	名称 Description	数量 Quantity	备注 Remark
1	GBT5783-M6X20-8.8-A2L	BOLT	6	2012-01_
10	GBT97.1-8-A0P	WASHER	1	2012-01_
11	GBT93-8-A0P	WASHER	1	2012-01_
12	GBT5783-M8X16-8.8-A2L	BOLT	1	2012-01_
2	GBT93-6-A0P	SPRING WASHER	6	2012-01_
3	TB604.374B-09	SLEEVE PRESSURE PLATE	1	2012-01_
4	TB604.374B-08	SLEEVE	1	2012-01_
5	JB/T982-12	SEAL GASKET	1	2012-01_
6	TA700.55.6		1	2012-01_
6.1	TG1204.505.2	BREATHER	1	2012-01_
6.11	FT700.55D.136	RESPIRATOR COVER	1	2012-01_
6.11	FT700.55D.136	RESPIRATOR COVER	1	2012-01_
6.12	GBT893.1-26	SNAP RING	1	2012-01_
6.13	FT650.40.167	SEAT PLATE	2	2012-01_
6.14	FT700.55D.109	BREATH FILTER ELEMENT	1	2012-01_
6.15	TG1204.505.2-01	BREATHER BODY	1	2012-01_
6.2	TA700.55.6-01	BREATH PIPE	1	2012-01_
6.3	TA700.55.6-02	BREATHER INSTALLATION PLATE	1	2012-01_
7	TE354.371-01	BREATH JOINT	1	2012-01_
8	Q67512	HOSE RING HOOP	2	2012-01_
9	TB604.374B-07	BREATH HOSE	1	2012-01_

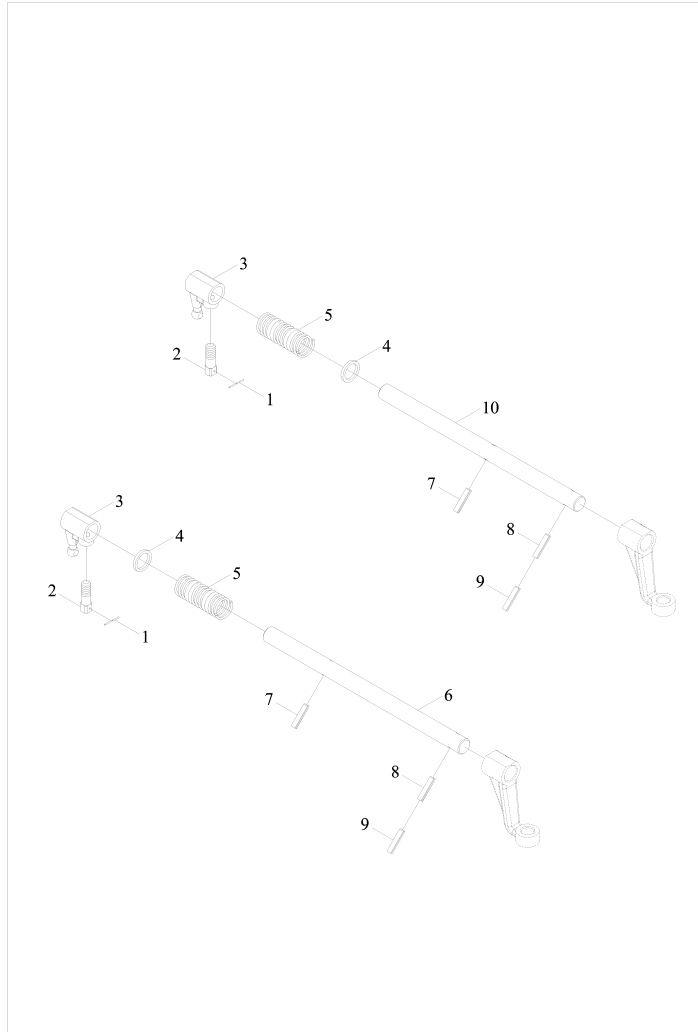
TB604.374D 变速箱操纵机构总成-3



TB604.374D-3 37.4-变速箱操纵机构总成-3

标号 No.	代号 Code	名称 Description	数量 Quantity	备注 Remark
0	TB604.374D.1	SIDE CONTROL MECHANISM ASSEMBLY	1	2012-01_
1	TB604.374B.1.3	MAIN GEARSHIFT CONTROL HANDLE ASSEMBLY	1	2012-01_
10	TB604.374B.1-02	SIDE CONTROL LOWER COVER	1	2012-01_
11	TB604.374B.1-01	SIDE CONTROL UPPER COVER	1	2012-01_
12	TF1004.374-02	LOW CARBON STEEL WIRE	2	2012-01_
13	FT800A.37.326	GEARLEVER LOCATING PIN	4	2012-01_
14	FT300.37.166a	GEARLEVER DUSTPROOF BONNET	2	2012-01_
15	GBT893.1-40	RETAINER RING	2	2012-01_
16	FT800A.37.305	NYLON SEAT	2	2012-01_
17	TB604.374B.1-09	LOWER CONTROL ROD	2	2012-01_
18	TB504.374-06	SEAT	2	2012-01_
19	Q72220	PLUG PIECE	2	2012-01_
2	GBT6172.1-M10-04-A3L	NUT	2	2012-01_
20	TB604.374B.1-06	FORK HEAD	2	2012-01_
21	GBT5782-M8X55-8.8-A2L	BOLT	1	2012-01_
22	GBT5783-M8X25-8.8-A2L	BOLT	13	2012-01_
3	TB604.374B.1.1	MAIN GEARLEVER WELDMENT	1	2012-01_
4	GBT879.1-3X28	PIN	2	2012-01_
5	GBT879.1-5X28	PIN	2	2012-01_
6	FT300.37J.016	AUXILIARY GEARSHIFT CONTROL HANDLE ASSEMBLY	1	2012-01_
7	TB604.374B.1.2	ASSISTANT GEARLEVER WELDMENT	1	2012-01_
8	GBT5783-M8X20-10.9-A2L	BOLT	6	2012-01_
9	GBT93-8-A0P	WASHER	20	2012-01_

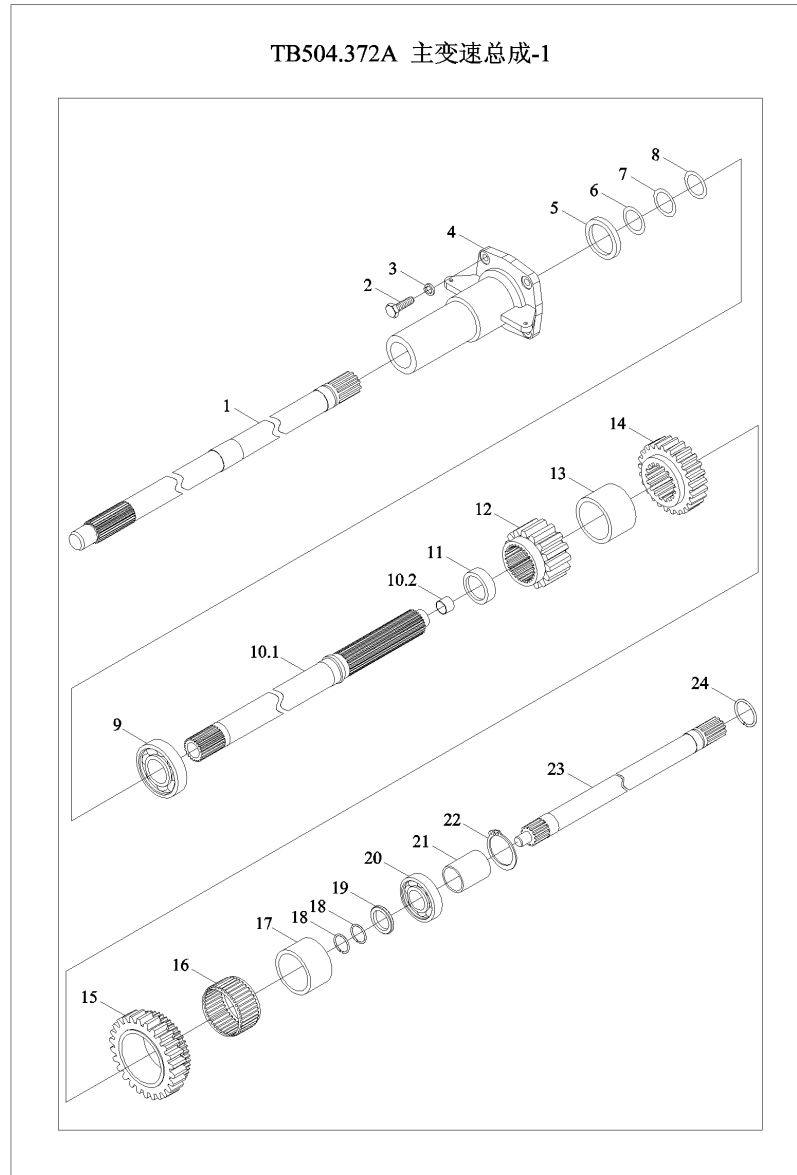
TB604.374D 变速箱操纵机构总成-4



TB604.374D-4 37.4-变速箱操纵机构总成-4

标号 No.	代号 Code	名称 Description	数量 Quantity	备注 Remark
0	TB604.374D.1	SIDE CONTROL MECHANISM ASSEMBLY	1	2012-01_
1	TF1004.374-02	LOW CARBON STEEL WIRE	2	2012-01_
10	TB604.374B.1-04	TRANSMISSION ROD	1	2012-01_
2	TB504.374-01	LOCKING SCREW	2	2012-01_
3	TB604.374B.1-05	SIDE CONTROL INNER FORK HEAD	2	2012-01_
4	TB604.374B.1-08	SPRING WASHER	2	2012-01_
5	TB604.374B.1-07	LOCATING SPRING	2	2012-01_
6	TB604.374B.1-03	TRANSMISSION ROD	1	2012-01_
7	GBT879.1-6X24	PIN	2	2012-01_
8	GBT879.1-3.5X28	PIN	2	2012-01_
9	GBT879.1-6X28	PIN	1	2012-01_
9	GBT879.1-6X28	PIN	1	2012-01_

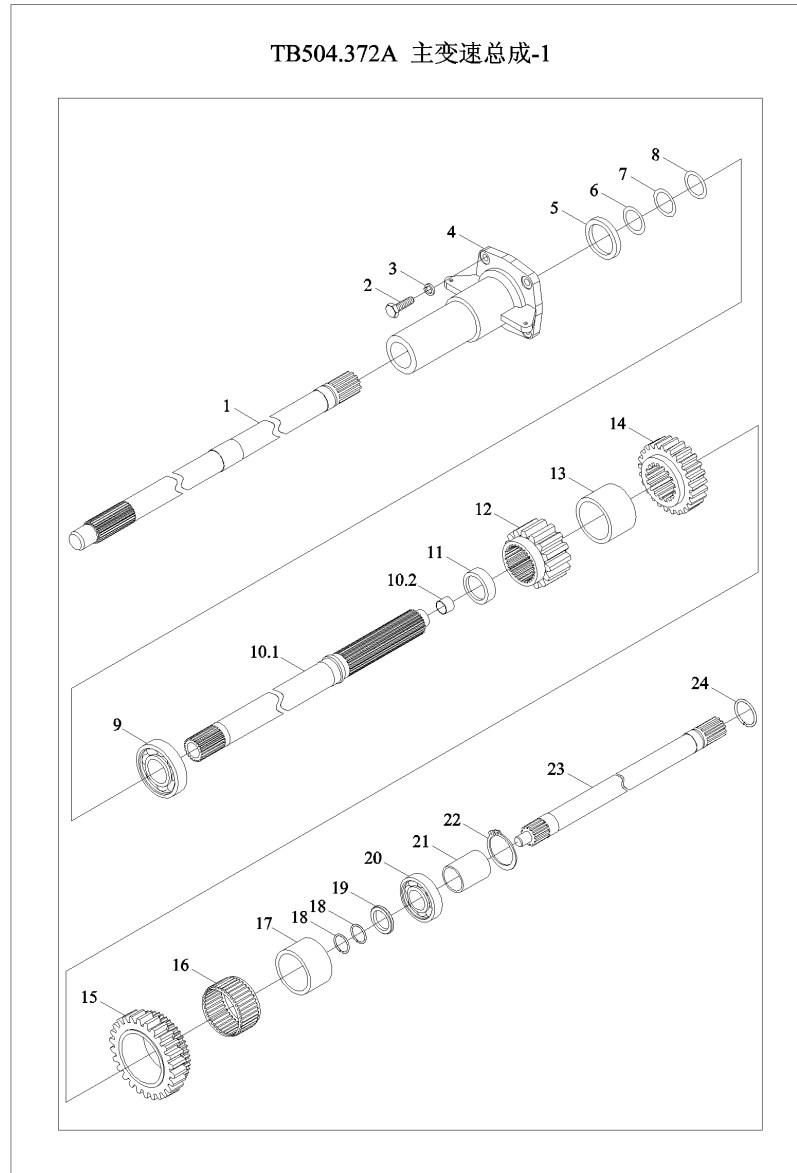
TB504.372A 主变速总成-1



TB504.372A-1 372.1-主变速总成-1 MAIN TRANSMISSION ASSEMBLY-1

标号 No.	代号 Code	名称 Description	数量 Quantity	备注 Remark
1	FT400.37B.201	AUXILIARY CLUTCH SHAFT	1	2013-08_
10	TB604.372T.1	SHAFT I UNIT	1	2013-08_
10.1	TB604.372T.1-01	SHAFT I	1	2013-08_
10.2	FT300.37.170	SLEEVE	1	2013-08_
11	TB604.372T-15	I GEAR SPACER	1	2013-08_
12	TB604.372T-01	I DRIVING GEAR	1	2013-08_
13	TB604.372T-02	GEAR SPACER	1	2013-08_
14	TB604.372T-03	II DRIVING GEAR	1	2013-08_
15	TB604.372T-05	III DRIVING GEAR	1	2013-08_
16	TB604.372T-17	NEEDLE BEARINGS	1	2013-08_
17	TB604.372T-16	III GEAR BUSH	1	2013-08_
18	GBT3452.1-23.6X1.80G	O-SEAL RING	2	2013-08_
19	TB604.372T-04	WASHER	1	2013-08_
2	GBT5783-M8X25-8.8-A2L	BOLT	8	2013-08_
20	GBT276-6007	BEARING	1	2013-08_
21	FT300.37.136	CONNECTING SLEEVE	1	2013-08_
22	GBT893.1-21	SNAP RING	1	2013-08_
23	FT300.37J.137	PTO CONNECTING SHAFT	1	2013-08_
24	GBT895.2-24	SNAP RING	1	2013-08_
3	GBT93-8-A0P	WASHER	8	2013-08_
4	FT300.37B.124	SHAFT I BEARING COVER	1	2013-08_
5	GBT9877.1-FB40X62X8D	O RING	1	2013-08_
6	TB604.372T-12	ADJUSTING GASKET	999	2013-08_
7	TB604.372T-13	ADJUSTING GASKET	999	2013-08_
8	TB604.372T-14	ADJUSTING GASKET	999	2013-08_

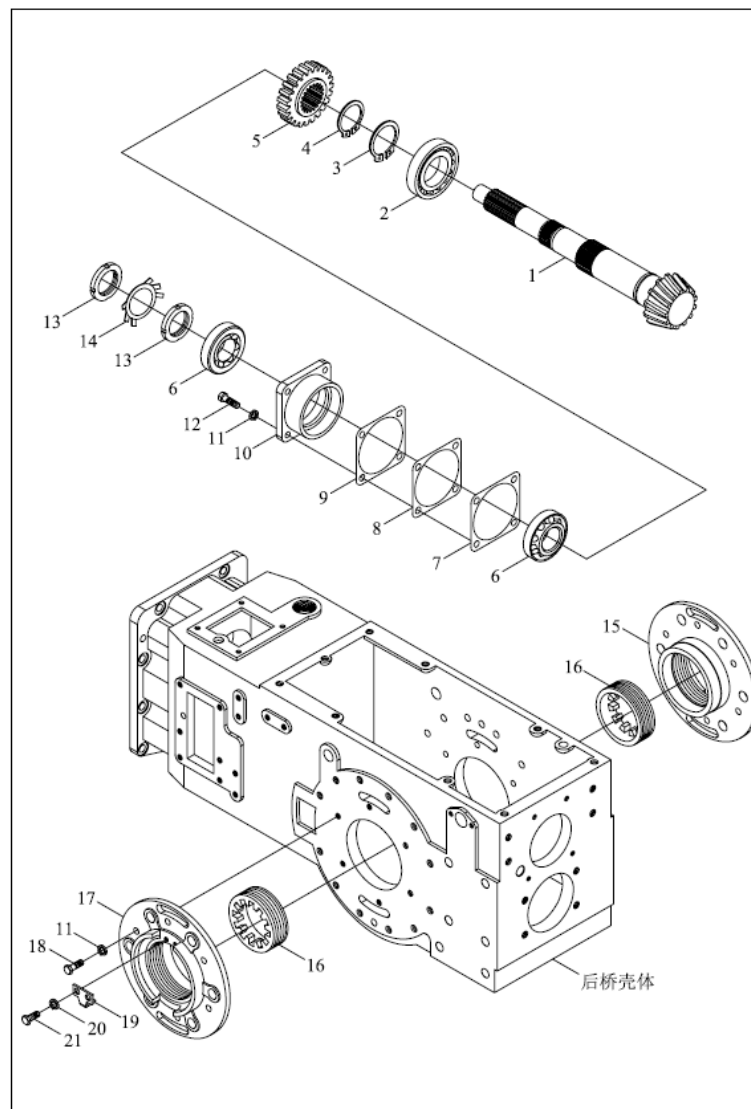
TB504.372A 主变速总成-1



TB504.372A-1 372.1-主变速总成-1(续)

标号 No.	代号 Code	名称 Description	数量 Quantity	备注 Remark
9	GBT276-6208	BEARING	1	2013-08_

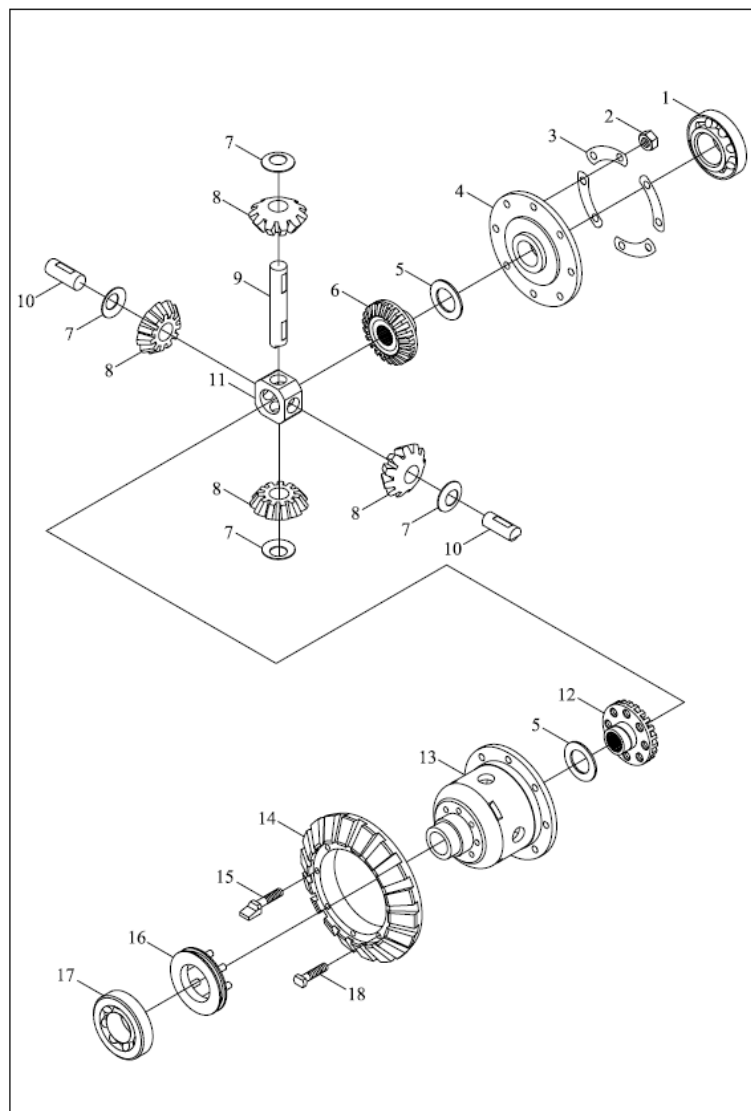
TB504.382 后桥中央传动总成-1



TB504.382-1 38.2.1-后桥中央传动总成-1 REAR AXLE CENTRAL TRANSMISSION ASSEMBLY-1

标号 No.	代号 Code	名称 Description	数量 Quantity	备注 Remark
1	TB450.38J-05	SMALL TAPER GEAR SHAFT	1	2011-11_
10	FT300.38.117	BEARING SEAT	1	2011-11_
11	GBT93-10-A0P	WASHER	16	2011-11_
12	GBT5783-10X30-A3L	BOLT	4	2011-11_
13	GBT812-M39X1.5	ROUND NUT	2	2011-11_
14	GBT858-39	THRUST RING	1	
15	FT300.38.177	RIGHT DIFFERENTIAL BEARING SEAT	1	2011-11_
16	FT300.38.151	ADJUSTING NUT	2	2011-11_
17	FT300.38.142	LEFT DIFFERENTIAL BEARING SEAT	1	2011-11_
18	GBT5783-10X25-A3L	BOLT	12	2011-11_
19	FT300.38.161	LOCK SHIM	2	2011-11_
2	GBT283-NUP2210E	BEARING	1	2011-11_
20	GBT93-8-A0P	WASHER	4	2011-11_
21	TB554.382-01	BOLT	4	
3	GBT894.1-50	SNAP RING	1	2011-11_
4	GBT894.1-48	RETAINER RING	1	2011-11_
5	FT404.38G.116	FRONT DRIVE OUTPUT GEAR	1	2011-11_
6	GBT297-32208	BEARING	2	2011-11_
7	FT300.38.118	TAPER GEAR SHAFT ADJUSTING GASKET	999	2011-11_
8	FT300.38.119	TAPER GEAR SHAFT ADJUSTING GASKET	999	2011-11_
9	FT300.38.120	TAPER GEAR SHAFT ADJUSTING GASKET	999	2011-11_

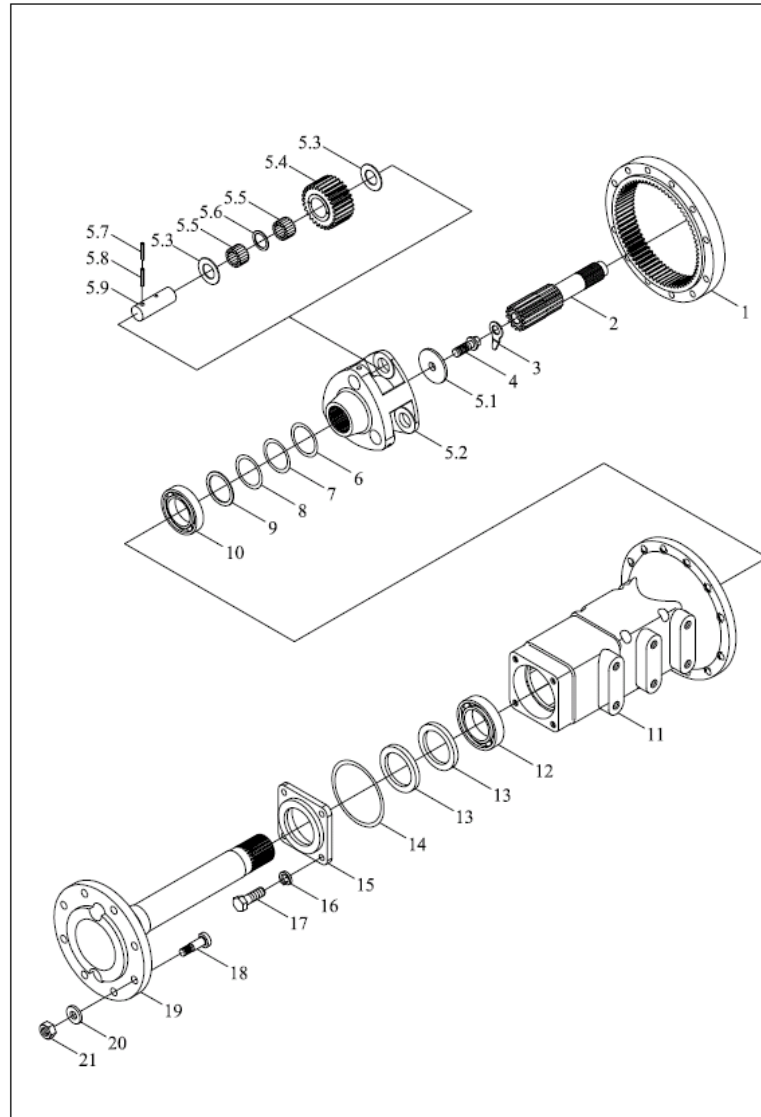
TB504.382 后桥中央传动总成-2



TB504.382-2 38.2.2-后桥中央传动总成-2 REAR AXLE CENTRAL TRANSMISSION ASSEMBLY-2

标号 No.	代号 Code	名称 Description	数量 Quantity	备注 Remark
0	FT300.38.012	DIFFERENTIAL ASSEMBLY	1	2011-11_
1	GBT297-32013	BEARING	1	2011-11_
10	FT300.38.183	SHORT PLANETARY GEAR SHAFT	2	2011-11_
11	FT300.38.184	CENTRAL RING	1	2011-11_
12	FT300.38.143	LEFT HALF SHAFT GEAR	1	2011-11_
13	FT300.38.180	DIFFERENTIAL HOUSING	1	2011-11_
14	FT300.38.141	BIG TAPER GEAR	1	2011-11_
15	FT300.38.185	PLANET GEAR SHAFT THRUST BOLT	4	2011-11_
16	FT300.38.019	DIFFERENTIAL LOCK ASSEMBLY	1	2011-11_
16	FT300.38.019	DIFFERENTIAL LOCK ASSEMBLY	1	2011-11_
17	GBT297-30211	BEARING	1	2011-11_
18	FT300.38.186	FIXING BOLT	4	2011-11_
2	GBT6170-M12-A3L	NUT	8	2011-11_
3	FT300.38.152	LOCKING WASHER	4	2011-11_
4	FT300.38.181	DIFFERENTIAL HOUSING	1	2011-11_
4	FT300.38.181	DIFFERENTIAL HOUSING	1	2011-11_
5	FT300.38.147	HALF SHAFT GEAR WASHER	2	2011-11_
6	FT300.38.144	RIGHT HALF SHAFT GEAR	1	2011-11_
7	FT300.38.148	PLANET GEAR WASHER	4	2011-11_
8	FT300.38.145	PLANETARY GEAR	4	2011-11_
8	FT300.38.145	PLANETARY GEAR	4	2011-11_
9	FT300.38.182	LONG PLANETARY GEAR SHAFT	1	2011-11_

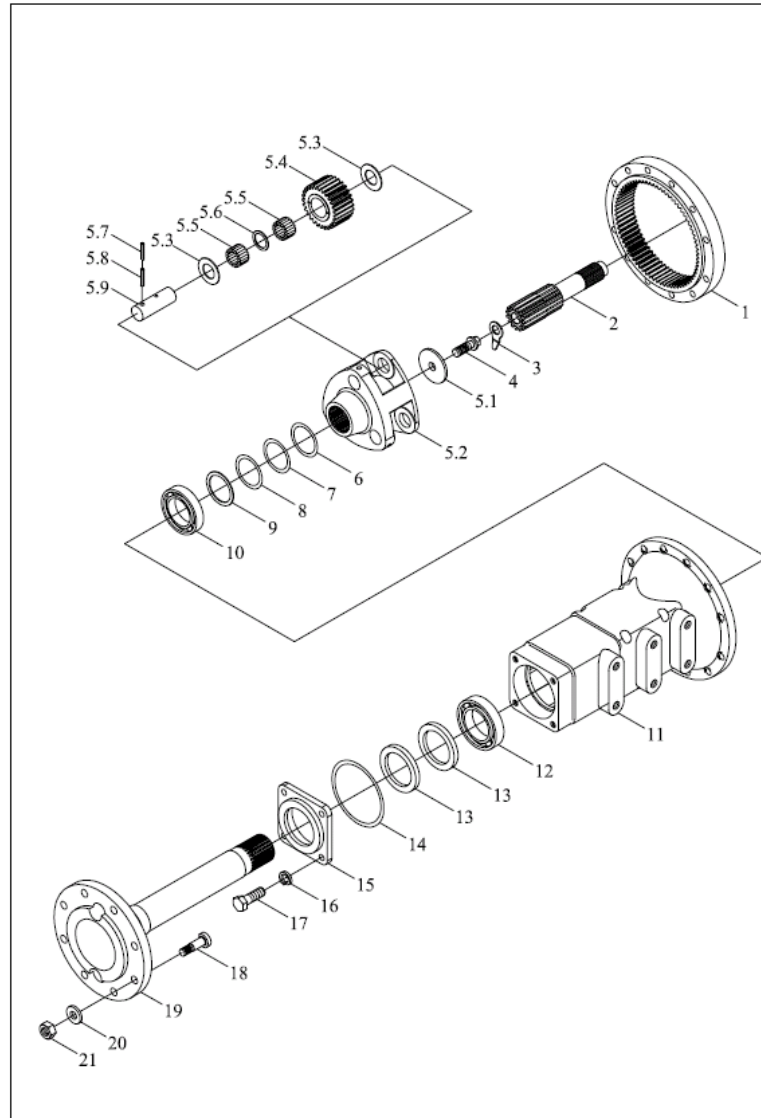
TB450.391Left final transmission assembly



TB450.391 39.1-左最终传动总成 39.1-LEFT FINAL TRANSMISSION ASSEMBLY

标号 No.	代号 Code	名称 Description	数量 Quantity	备注 Remark
1	TB450.391-02	FINAL TRANSMISSION GEAR RING	1	2011-11_
10	GBT276-6211	BEARING	1	2011-11_
11	FT300.39.115	LEFT DRIVING SHAFT HOUSING	1	2011-11_
12	GBT276-6212	BALL BEARING	1	2011-11_
13	GBT9877.1-FB70X95X10D	O RING	2	2011-11_
14	GBT3452.1-115X3.55G	O-SEAL RING	1	2011-11_
15	FT300.39.116	OIL SEAL CAGE	1	2011-11_
16	GBT93-12-A0P	SPRING WASHER	4	2011-11_
17	GBT5783-M12X30-A3L	BOLT	4	2011-11_
18	FT300.39.136	REAR HUB BOLT (LEFT)	8	2011-11_
19	FT300.39.118	DRIVING SHAFT	1	2011-11_
2	TB450.391-01	LEFT FINAL TRANSMISSION HALF SHAFT	1	2011-11_
20	FT300.39.137	WASHER	8	2011-11_
3	FT300.39.110	DRIVING SHAFT LOCK PIECE	1	2011-11_
4	FT300.39.112	DRIVING SHAFT LOCK BOLT	1	2011-11_
5	TB450.391.1	FINAL TRANSMISSION PLANET BRACKET ASSEMBLY	1	2011-11_
5.1	FT300.39.111	RETAINER BLOCK	1	2011-11_
5.2	FT300.39.104	PLANET CARRIER	1	2011-11_
5.3	FT300.39.109	NEEDLE OUTER SPACER RING	6	2011-11_
5.4	TB450.391.1-01	FINAL TRANSMISSION PLANET GEAR	3	2011-11_
5.5	GBT309-5X23.8	NEEDLE	132	2011-11_
5.6	FT300.39.105	NEEDLE INNER SPACER RING	3	2011-11_
5.7	GBT879.1-5X26	PIN	3	2011-11_
5.8	GBT879.1-8X26	PIN	3	2011-11_
5.9	FT300.39.106	PLANET GEAR SHAFT	3	2011-11_

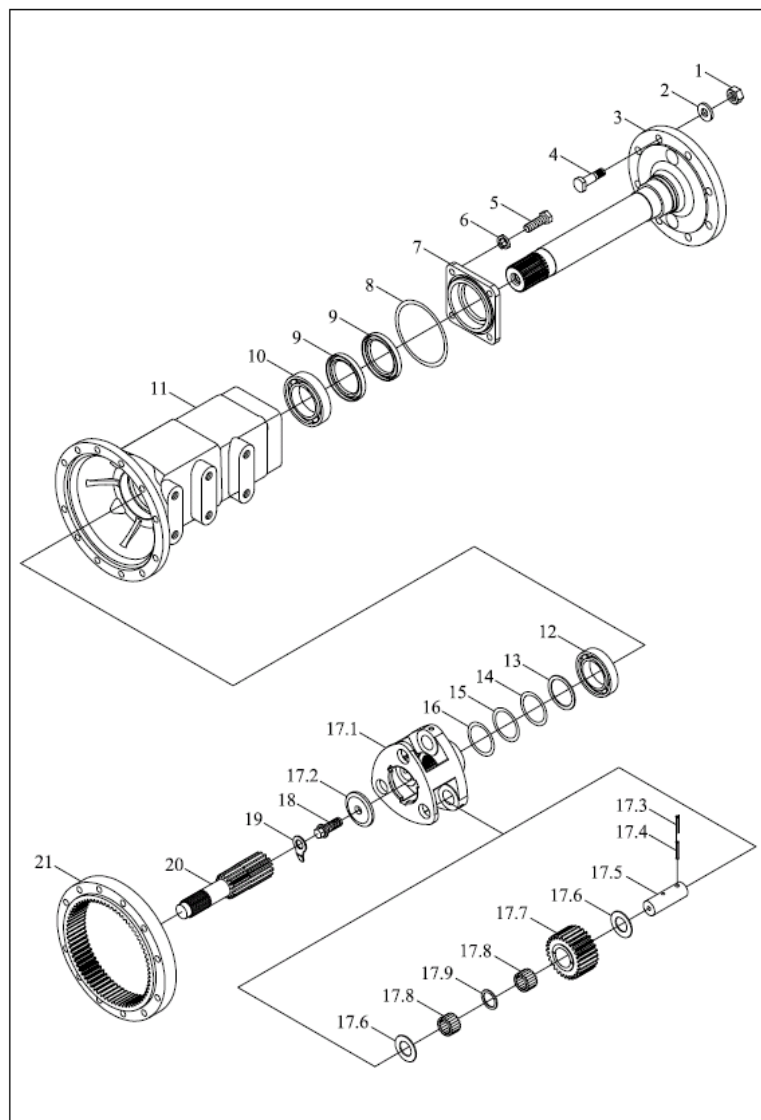
TB450.391Left final transmission assembly



TB450.391 39.1-左最终传动总成(续)

标号 No.	代号 Code	名称 Description	数量 Quantity	备注 Remark
6	FT300.39.121	ADJUSTING WASHER	999	2011-11_
6	FT300.39.121	ADJUSTING WASHER	999	2011-11_
7	FT300.39.122	ADJUSTING WASHER	999	2011-11_
8	FT300.39.123	ADJUSTING WASHER	999	2011-11_
9	FT300.39.113	SPACER BUSH	1	2011-11_

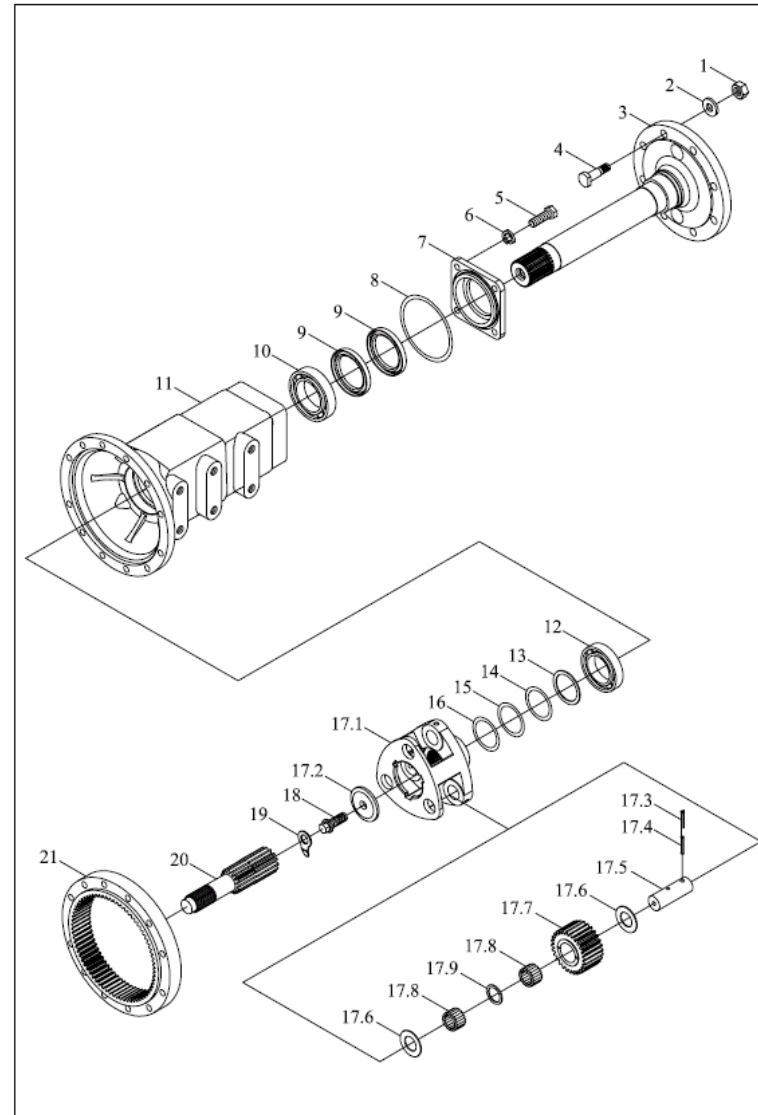
TB450.392Right final transmission assembly



TB450.392 39.2-右最终传动总成 39.2-RIGHT FINAL TRANSMISSION ASSEMBLY

标号 No.	代号 Code	名称 Description	数量 Quantity	备注 Remark
1	GBT6176-M16X1.5-12-A3L	HEXAGON NUT, TYPE-2	8	2011-11_
10	GBT276-6212	BALL BEARING	1	2011-11_
11	FT300.39.114	RIGHT DRIVING SHAFT HOUSING	1	2011-11_
12	GBT276-6211	BEARING	1	2011-11_
13	FT300.39.113	SPACER BUSH	1	2011-11_
14	FT300.39.121	ADJUSTING WASHER	999	2011-11_
14	FT300.39.121	ADJUSTING WASHER	999	2011-11_
15	FT300.39.122	ADJUSTING WASHER	999	2011-11_
16	FT300.39.123	ADJUSTING WASHER	999	2011-11_
17	TB450.391.1	FINAL TRANSMISSION PLANET BRACKET ASSEMBLY	1	2011-11_
17.1	FT300.39.104	PLANET CARRIER	1	2011-11_
17.2	FT300.39.111	RETAINER BLOCK	1	2011-11_
17.3	GBT879.1-5X26	PIN	3	2011-11_
17.4	GBT879.1-8X26	PIN	3	2011-11_
17.5	FT300.39.106	PLANET GEAR SHAFT	3	2011-11_
17.6	FT300.39.109	NEEDLE OUTER SPACER RING	6	2011-11_
17.7	TB450.391.1-01	FINAL TRANSMISSION PLANET GEAR	3	2011-11_
17.8	GBT309-P5X23.8-G2	NEEDLE	132	2011-11_
17.9	FT300.39.105	NEEDLE INNER SPACER RING	3	2011-11_
18	FT300.39.112	DRIVING SHAFT LOCK BOLT	1	2011-11_
19	FT300.39.110	DRIVING SHAFT LOCK PIECE	1	2011-11_
2	FT300.39.137	WASHER	8	2011-11_
20	TB450.392-01	RIGHT FINAL TRANSMISSION HALF SHAFT	1	2011-11_
21	TB450.391-02	FINAL TRANSMISSION GEAR RING	1	2011-11_
3	FT300.39.118	DRIVING SHAFT	1	2011-11_

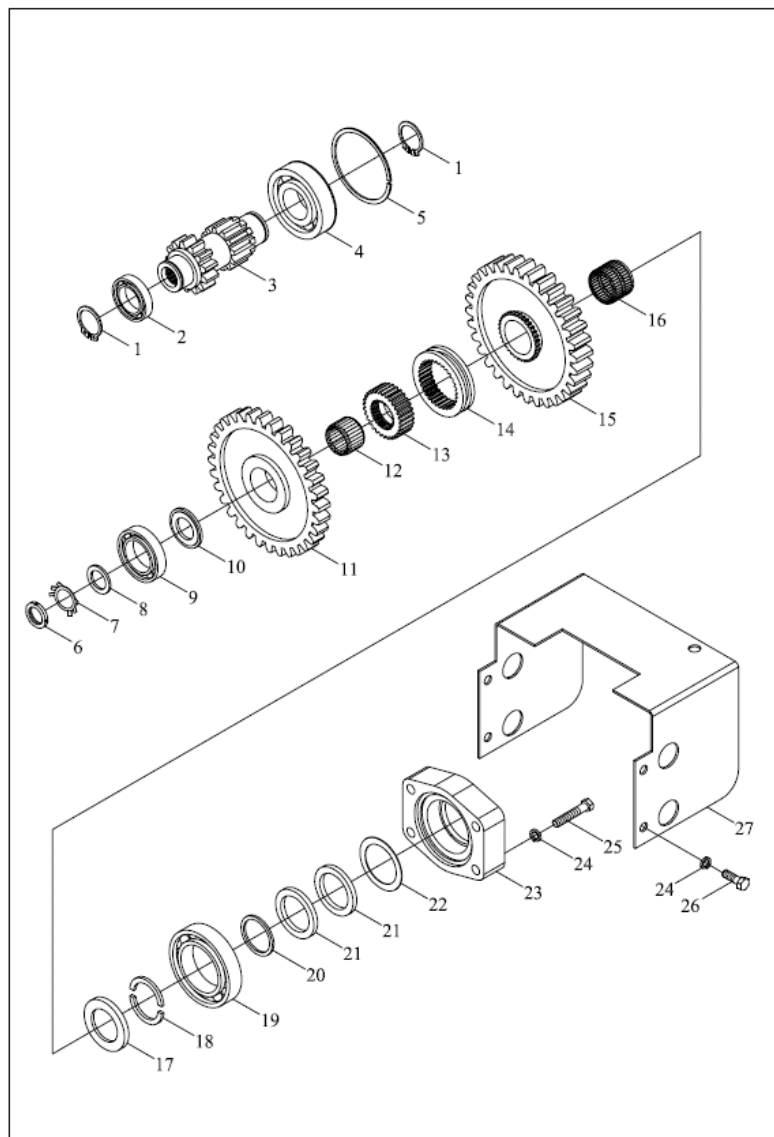
TB450.392Right final transmission assembly



TB450.392 39.2-右最终传动总成(续)

标号 No.	代号 Code	名称 Description	数量 Quantity	备注 Remark
4	FT300.39.135	REAR HUB BOLT	8	2011-11_
5	GBT5783-M12X30-A3L	BOLT	4	2011-11_
6	GBT93-12-A0P	SPRING WASHER	4	2011-11_
7	FT300.39.116	OIL SEAL CAGE	1	2011-11_
8	GBT3452.1-115X3.55G	O-SEAL RING	1	2011-11_
9	GBT9877.1-FB70X95X10D	O RING	2	2011-11_

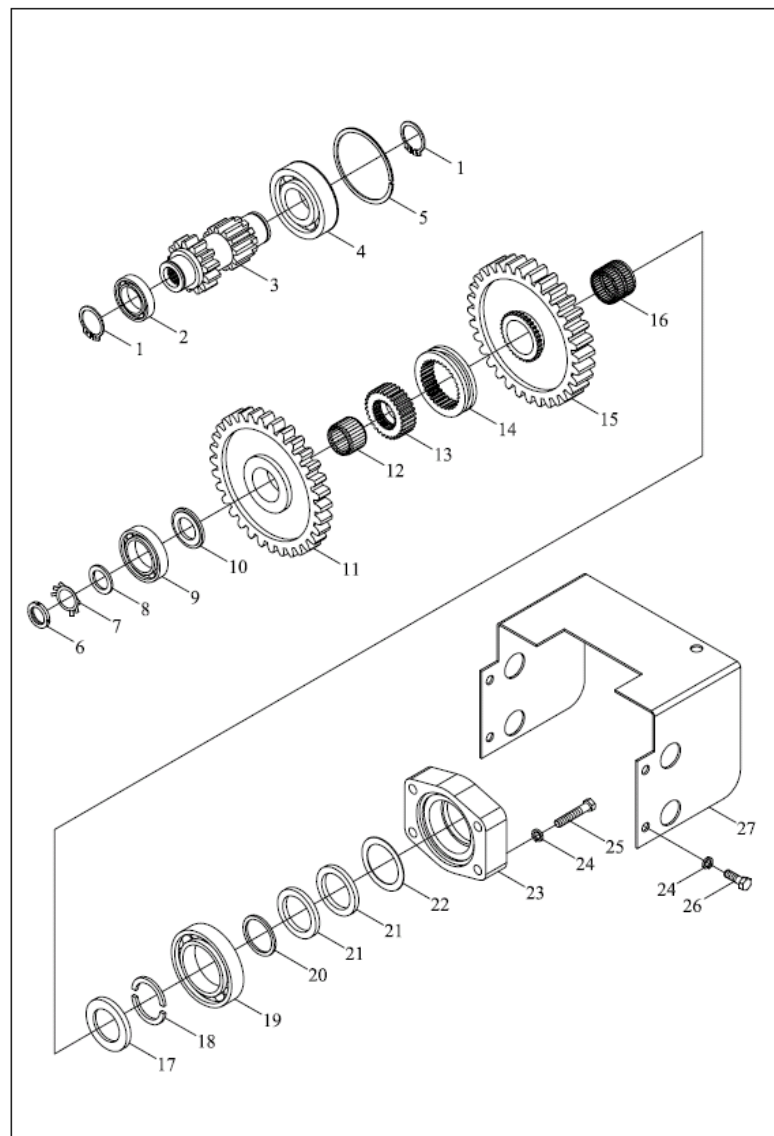
TB400.411CPTO gear assembly



TB400.411C 41.1-动力输出齿轮总成 41.1-PTO GEAR ASSEMBLY

标号 No.	代号 Code	名称 Description	数量 Quantity	备注 Remark
1	GBT894.1-40	WASHER 40	2	2011-11_
10	FT300.41C.118	OUTPUT SHAFT FRONT RETAINER RING	1	2011-11_
11	FT300.41G.105	PTO DRIVEN SMALL GEAR	1	2011-11_
12	JBT7918-K35X40X27	NEEDLE AND CARRIER UNIT	1	2011-11_
13	FT300.41C.117	PTO MESHING SEAT	1	2011-11_
13	FT300.41C.117	PTO MESHING SEAT	1	2011-11_
14	FT300.41C.116	PTO SHIFT COLLAR	1	2011-11_
15	FT300.41E.103	PTO DRIVEN BIG GEAR	1	2011-11_
16	QLWZB120-K40X46X34ZW	NEEDLE BEARINGS	1	2004-01_
17	FT300.41E.114	REAR RETAINER RING	1	2011-11_
18	FT300.41E.119	OUTPUT SHAFT HALF RETAINER RING	2	2011-11_
19	GBT276-6309	BEARING	1	2011-11_
2	GBT276-6208	BEARING	1	2011-11_
20	FT300.41E.113	OUTPUT SHAFT BEARING WASHER	1	2011-11_
21	GBT9877.1-FB50X72X8D	O RING	2	2011-11_
22	FT300.41E.115	OIL SEAL RETAINER RING	1	2011-11_
23	FT300.41E.101	REAR END COVER I	1	2011-11_
24	GBT93-12-A0P	SPRING WASHER	8	2011-11_
25	GBT5782-M12X55	BOLT	4	2011-11_
26	GBT5781-M12X25-A3L	BOLT	4	2011-11_
27	FT300.41.131a	SAFTY BONNET	1	2011-11_
3	FT300.41G.106	PTO LOW GEAR DRIVING GEAR	1	2011-11_
4	GBT276-6308N	BEARING	1	2011-11_
5	GBT305-90/96.5	THRUST RING	1	2011-11_
6	GBT812-M25X1.5	ROUND NUT	1	2011-11_

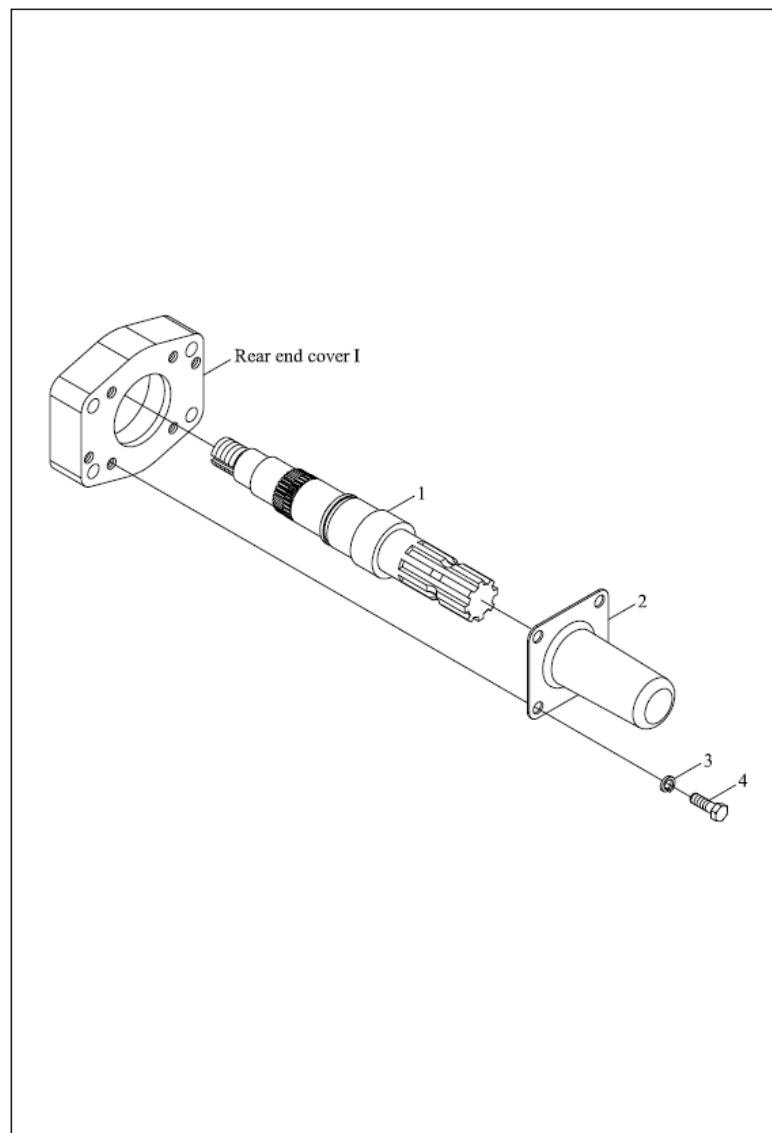
TB400.411CPTO gear assembly



TB400.411C 41.1-动力输出齿轮总成(续)

标号 No.	代号 Code	名称 Description	数量 Quantity	备注 Remark
7	GBT858-25	WASHER LOCK	1	2011-11_
8	FT300.41.122	WASHER	1	2011-11_
9	GBT276-6306	BEARING	1	2011-11_

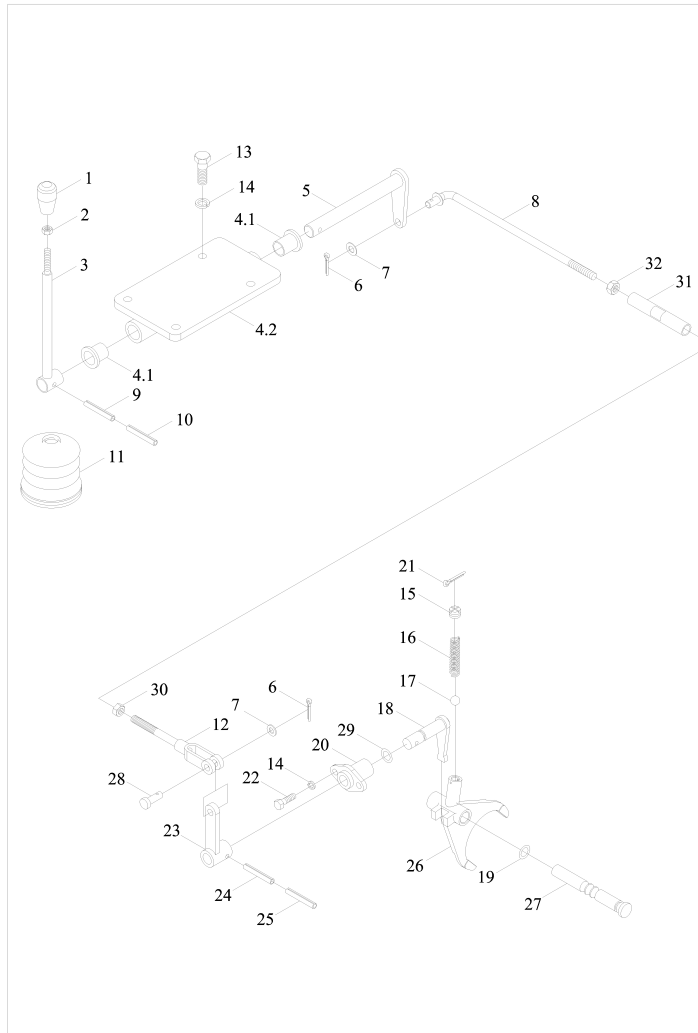
TB550.412A Power shaft assembly



TB550.412A 41.2-动力输出轴总成 41.2-PTO SHAFT ASSEMBLY

标号 No.	代号 Code	名称 Description	数量 Quantity	备注 Remark
1	TB550.412A-01	TYPE-I 35 PTO SHAFT	1	2011-11_
1	TB550.412A-01	TYPE-I 35 PTO SHAFT	1	2011-11_
2	TE250.411C-02	PTO SHAFT HOOD	1	2008-11_
2	FT300.41E.102	PTO SHAFT COVER	1	2004-01_
3	GBT93-10	WASHER 10	4	2011-11_
4	GBT5783-10X20-A3L	BOLT	4	2011-11_

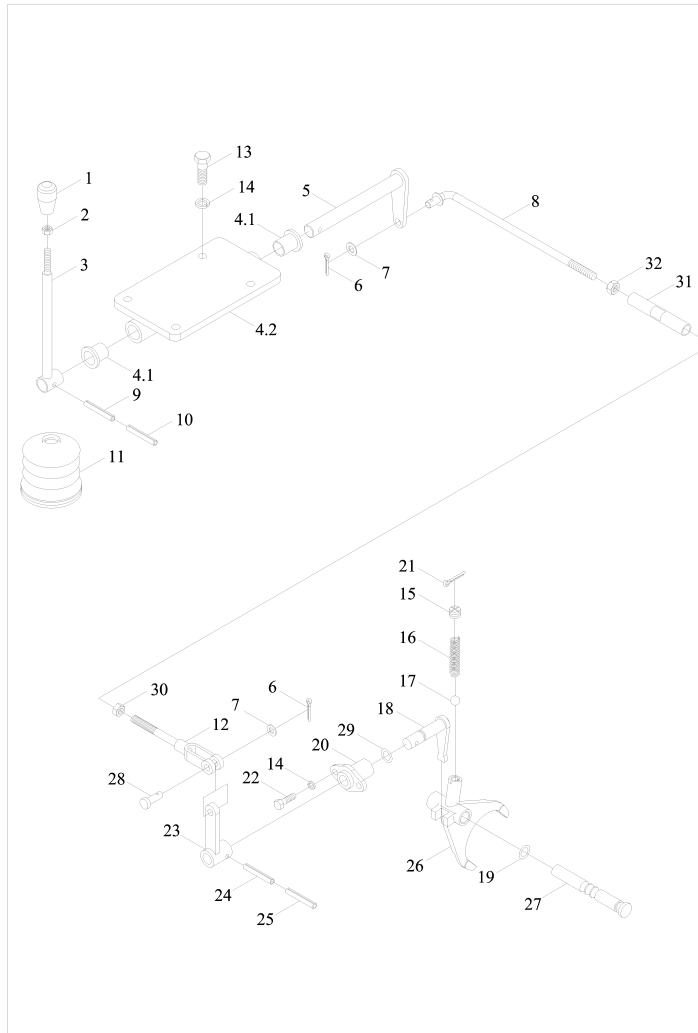
TB504.413A 动力输出操纵总成



TB504.413A 41.3-动力输出操纵总成 41.3-PTO CONTROL ASSEMBLY

标号 No.	代号 Code	名称 Description	数量 Quantity	备注 Remark
1	FT300.41.015	PTO CONTROL HANDLE ASSEMBLY	1	2012-01_
11	TB704.413A-02		1	2012-01_
12	TB504.413A.5		1	2012-01_
13	GBT5783-M8X16-8.8-A2L	BOLT	4	2012-01_
14	GBT93-8-A0P	WASHER	6	2012-01_
15	TB550.413-03	SCREW	1	2012-01_
16	FT704.42B.163	FORK SHAFT LOCATING SPRING	1	2012-01_
17	GBT308-9.5-G100-b	BALL	1	2012-01_
18	TB550.413-04	FINGER LEVER WELDMENT	1	2012-01_
19	GBT3452.1-11.2X2.65G	O-SEAL RING	1	2012-01_
2	GBT6170-M10-8-A3L	NUT	1	2012-01_
20	FT300.41E.109	LEVER SHAFT SLEEVE	1	2012-01_
21	GBT91-2.5X32-A0P	PIN	1	2012-01_
22	GBT5783-M8X20-8.8-A2L	BOLT	2	2012-01_
23	TB480.413.2	ROCKER WELDMENT	1	2012-01_
24	GBT879.1-6X26	PIN	1	2012-01_
25	GBT879.1-3.5X26	PIN	1	2012-01_
26	TB550.413-01a	PTO GEARSHIFT FORK	1	2012-01_
27	FT300.41C.107a	PTO FORK SHAFT	1	2012-01_
28	GBT882-B10X30	PIN	1	2012-01_
29	GBT3452.1-16.0X2.65G	O-SEAL RING	2	2012-01_
3	TB504.413A.2	PTO GEARSHIFT CONTROL ROD WELDMENT	1	2012-01_
30	GBT6171-M10X1-8-A2L	NUT	1	2012-01_
31	FT800A.21.353	MIDDLE ROD	1	2012-01_
32	GBT6171-M10X1-LH-8-A2L	NUT	1	2012-01_

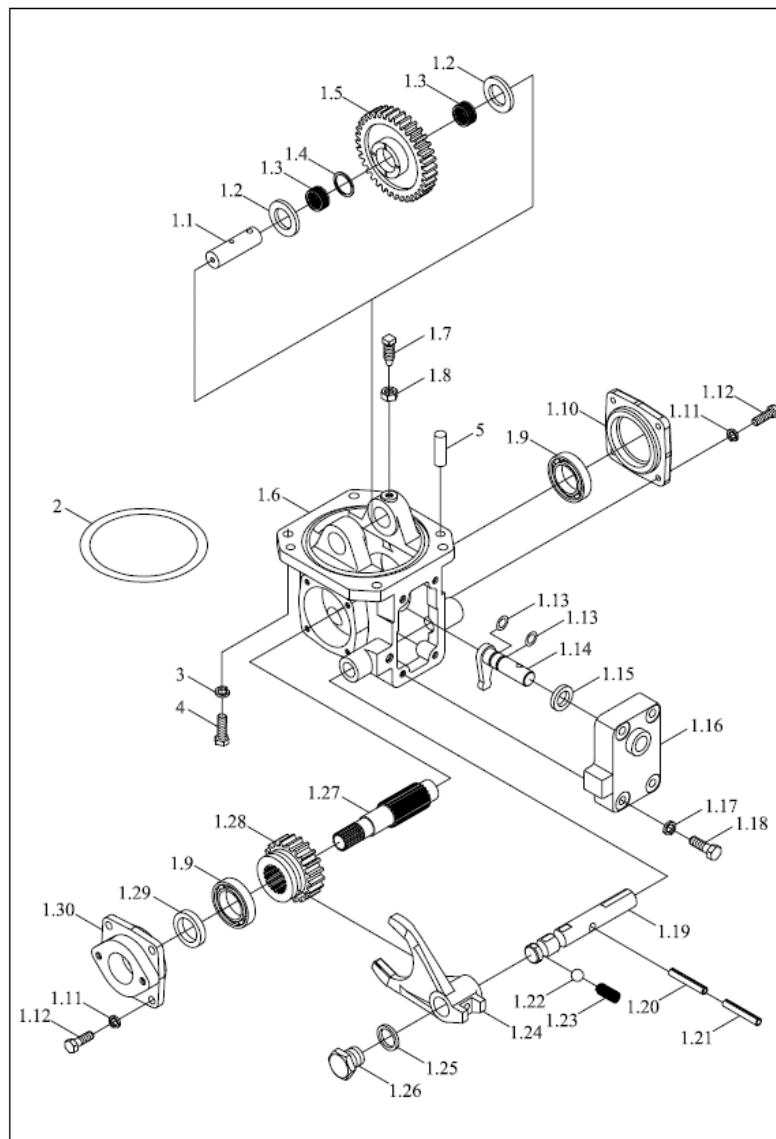
TB504.413A 动力输出操纵总成



TB504.413A 41.3-动力输出操纵总成(续)

标号 No.	代号 Code	名称 Description	数量 Quantity	备注 Remark
4	TB704.413A.3	OIL CYLINDER BONNET WELDMENT	1	2012-01_
4.1	TB480.413A.1-01	NYLON BUSH	2	2012-01_
4.2	TB704.413A.3.1	SUPPORT SEAT WELDMENT	1	2012-01_
5	TB504.413A.3	CONTROL ROCKER WELDMENT	1	2012-01_
6	GBT91-3.2X16-A0P	PIN	2	2012-01_
7	GBT97.1-10-A0P	WASHER	2	2012-01_
8	TB504.413A.1	MIDDLE PULL ROD WELDMENT	1	2012-01_

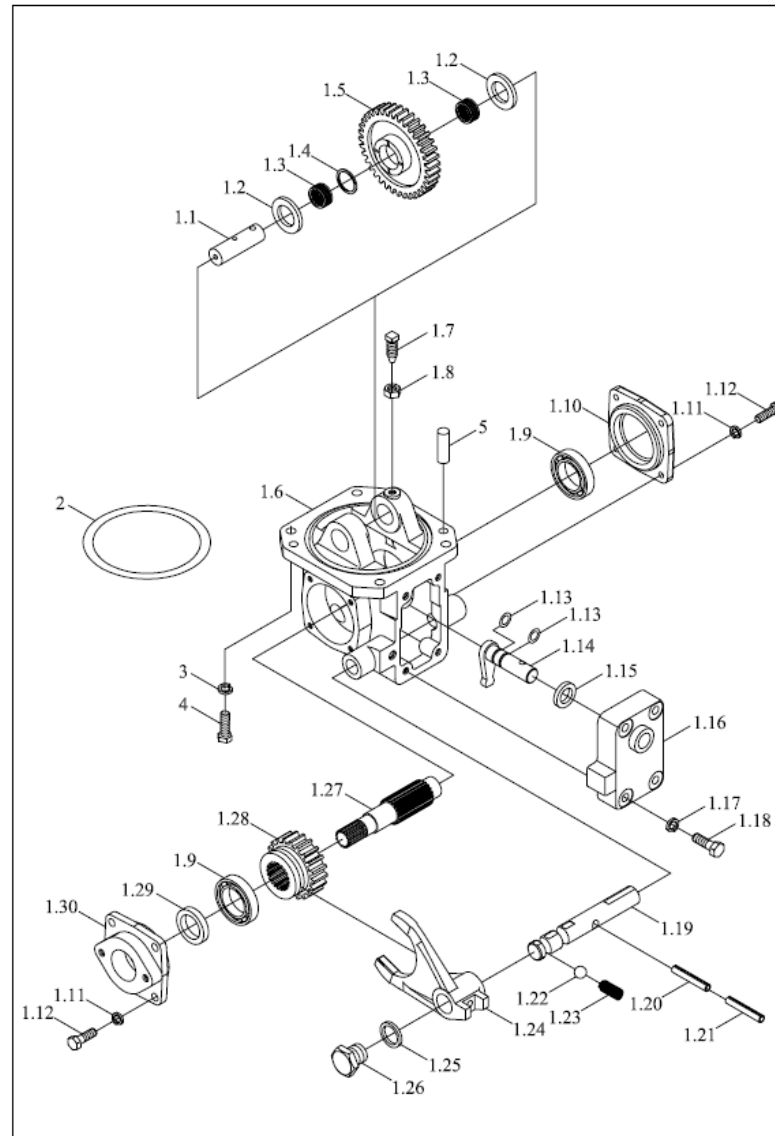
TB554.421E Transfer case housing assembly



TB554.421E 42.1-分动箱箱体总成 42.1-TRANSFER CASE HOUSING ASSEMBLY

标号 No.	代号 Code	名称 Description	数量 Quantity	备注 Remark
1	TB554.421E.1	TRANSFER CASE BODY INSTALLATION ASSEMBLY	1	2011-11_
1.1	FT304.42.102	IDLER SHAFT	1	2011-11_
1.1	FT304.42.117	BEARING COVER	1	2011-11_
1.1	FT304.42.117	BEARING COVER	1	2011-11_
1.11	GBT93-8-AOP	SPRING WASHER	8	2011-11_
1.12	GBT5783-M8X20-A2L	BOLT	8	2011-11_
1.13	GBT3452.1-17.0X1.80G	O-SEAL RING	2	2011-11_
1.14	TB554.421E.1.1	ROTARY SHAFT WELDMENT	1	2011-11_
1.15	TB554.423B-02	ROTARY SHAFT SPACER BUSH	1	2011-11_
1.16	TB554.421E.1-05	SIDE COVER	1	2011-11_
1.17	GBT93-10-AOP	WASHER	4	2011-11_
1.18	GBT5782-M10×45-A3L	BOLT	4	2011-11_
1.19	TB554.421E.1-04	FORK SHAFT	1	2011-11_
1.2	GBT879.1-6X30	PIN	1	2011-11_
1.2	FT304.42F.103	PLATE;THRUST	2	2011-11_
1.21	GBT879.1-3.5X30	PIN	1	2011-11_
1.22	GBT308-10-G100-b	BALL	1	2011-11_
1.23	FT800.37.139	SPRING	1	2011-11_
1.24	TB554.421E.1-06	RELEASE SHIFT FORK	1	2011-11_
1.25	JBT982-18	COMBINED SEAL GASKET	2	2011-11_
1.25	JBT982-18	COMBINED SEAL GASKET	2	2011-11_
1.26	FT804.42.110	SCREW PLUG	2	2011-11_
1.27	FT304.42F.105	TRANSFER CASE OUTPUT SHAFT	1	2011-11_
1.28	TB554.421E.1-03	TRANSFER CASE DRIVEN GEAR	1	2011-11_
1.29	GBT9877.1-FB30X52X7D	O RING	1	2011-11_

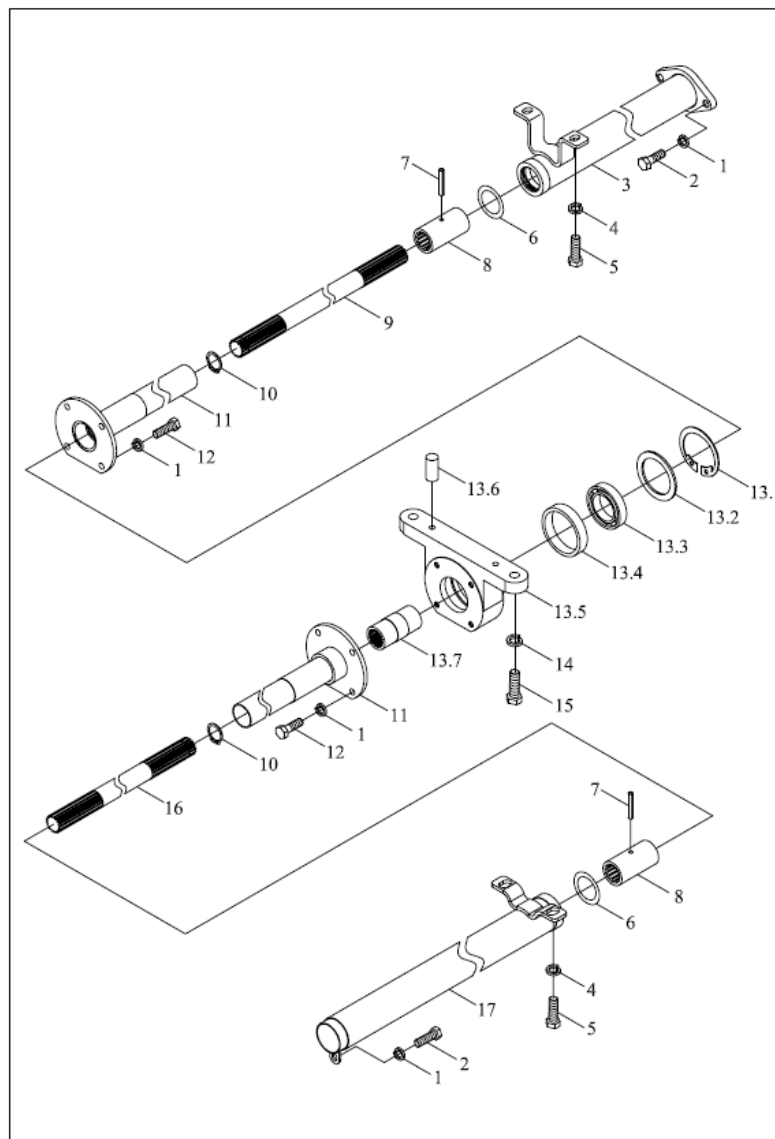
TB554.421E Transfer case housing assembly



TB554.421E 42.1-分动箱箱体总成(续)

标号 No.	代号 Code	名称 Description	数量 Quantity	备注 Remark
1.3	FT304.42F.106	BEARING SEAT	1	2011-11_
1.4	FT304.42.126	NEEDLE INNER SPACER SLEEVE	1	2011-11_
1.5	TB554.421E.1-02	TRANSFER CASE IDLER	1	2011-11_
1.6	TB554.421E.1-01	TRANSFER CASE BODY	1	2011-11_
1.7	FT304.42.112	THRUST SCREW	1	2011-11_
1.8	GBT6173-M10X1-A2L	NUT	1	2011-11_
1.9	GBT276-6306	BEARING	2	2011-11_
2	GBT3452.1-132X3.55G	O-SEAL RING	1	2011-11_
3	GBT93-10-A0P	WASHER	4	2011-11_
4	GBT5783-M10X25-A3L	BOLT	4	2011-11_

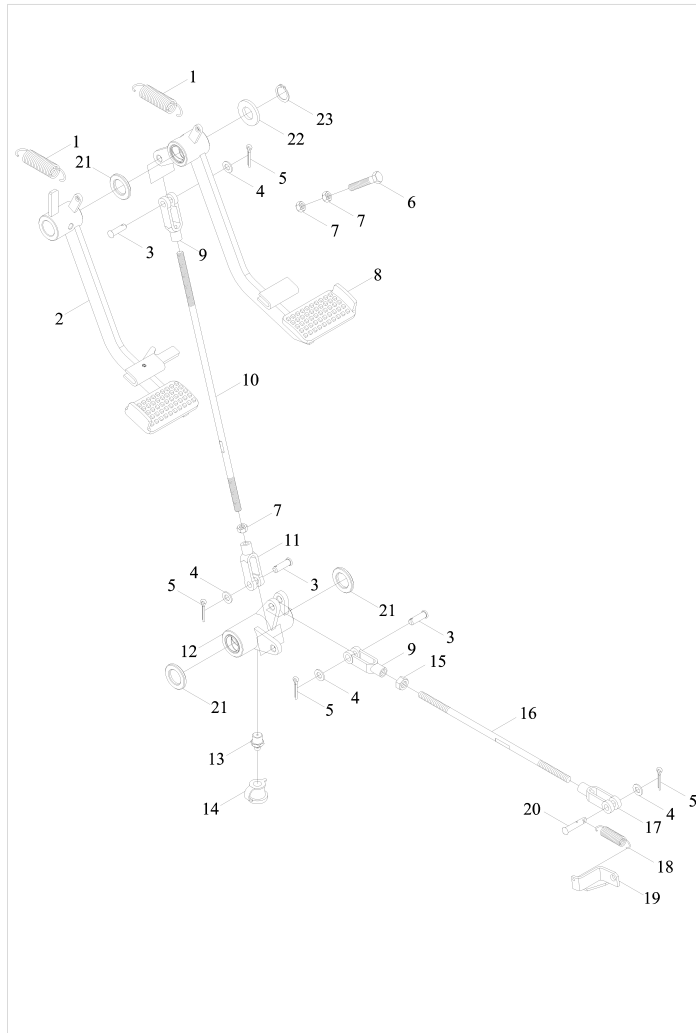
TB454.422 Transfer case driven assembly



TB454.422 42.2-分动箱传动总成 42.2-TRANSFER CASE TRANSMISSION ASSEMBLY

标号 No.	代号 Code	名称 Description	数量 Quantity	备注 Remark
1	GBT93-8-AOP	SPRING WASHER	11	2011-11_
10	GBT894.1-26	SNAP RING	2	2011-11_
11	FT304.42X.017	GUARD SLEEVE WELDMENT (2)	2	2011-11_
12	GBT5783-M8X20-A2L	BOLT	8	2011-11_
13	TB554.422.1	MIDDLE BEARING SEAT ASSEMBLY	1	2011-11_
13.1	GBT893.2-72	SNAP RING	1	2011-11_
13.2	FT304.42X.136		1	2011-11_
13.3	GBT276-6007-2RZ	BEARING	1	2011-11_
13.4	FT304.42X.137	RUBBER RING	1	2011-11_
13.5	FT304.42X.138	MIDDLE BEARING SEAT	1	2011-11_
13.6	GBT119.1-8m6X20-A0P	PIN	2	2007-04_
13.7	FT304.42X.135	MIDDLE SPLINE BUSH	1	2011-11_
14	GBT93-12-AOP	WASHER	2	2011-11_
15	GBT5783-M12X40-A3L	BOLT	2	2011-11_
16	FT404.42.139	FRONT TRANSMISSION SHAFT	1	2011-11_
17	FT404.42.016	GUARD SLEEVE WELDMENT (3)	1	2011-11_
17	FT404.42.016	GUARD SLEEVE WELDMENT (3)	1	2011-11_
2	GBT5783-M8X16-A2L	BOLT	3	2011-11_
3	FT304.42F.015	BONNET (1) WELDMENT	1	2011-11_
4	GBT93-10-AOP	WASHER	4	2011-11_
5	GBT5783-M10X20-A3L	BOLT	4	2011-11_
6	GBT3452.1-34.5X3.55G	O-SEAL RING	2	2011-11_
7	GBT879.1-6X35	PIN	2	2011-11_
8	FT304.42.107a	SPLINE BUSH	2	2011-11_
9	FT404.42.128	REAR TRANSMISSION SHAFT	1	2011-11_

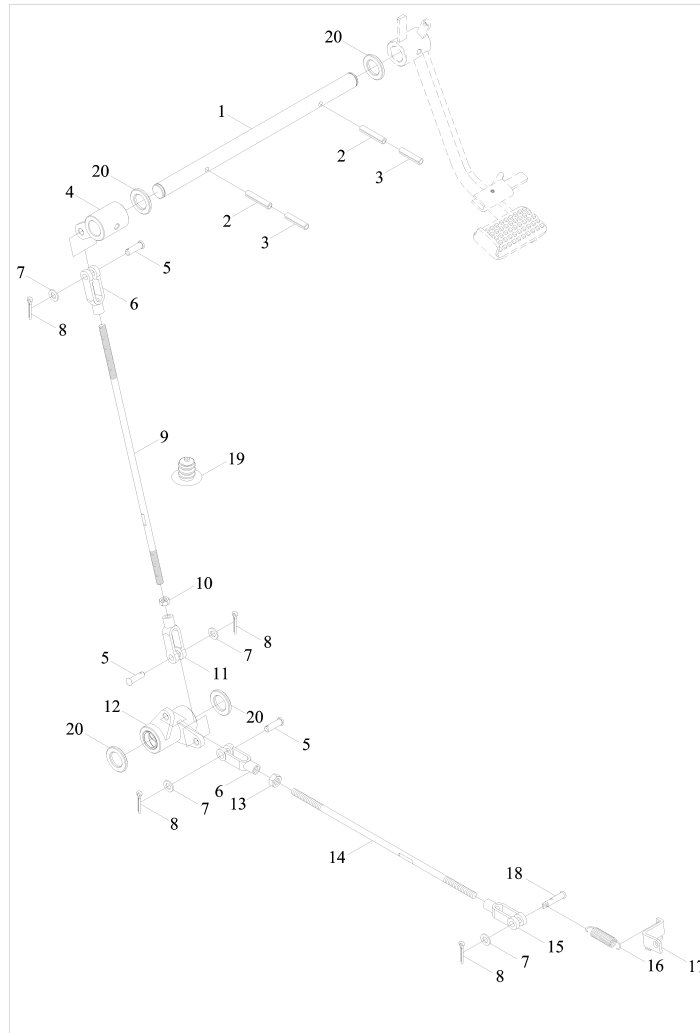
TB604.433F 制动系操纵机构总成-1



TB604.433F-1 43.3-制动系操纵机构总成-1

标号 No.	代号 Code	名称 Description	数量 Quantity	备注 Remark
1	TE250.212D-05	CLUTCH PEDAL RETURN SPRING	2	2012-01_
10	TB604.433E-02		1	2012-01_
11	FT300.43.108	PULL ROD FRONT FORK	1	2012-01_
12	TB604.433E.5		1	2012-01_
13	JB/T7940.1-M8X1	STRAIGHT PRESSURE FILLING OIL CUP	1	2012-01_
14	TD800.311C.1-01	DUSTPROOF CAP OF OIL CUP	1	2012-01_
14	TD800.311C.1-01	DUSTPROOF CAP OF OIL CUP	1	2012-01_
15	GBT6170-M10-LH-8-A3L	NUT	1	2012-01_
16	TB604.433E-03		1	2012-01_
17	TA700.431A-01	DEXTROROTATION LONG HOLE CONNECT FORK	1	2012-01_
18	TA820.213C-03	RETURN SPRING	1	2012-01_
19	TB704.433.5	HOSE	1	2012-01_
2	TB604.433E.1	LEFT BRAKE PEDAL UNIT	1	2012-01_
20	TB704.433-04	CONNECTING PIN	1	2012-01_
21	TE250.433C-02	WASHER	3	2012-01_
22	GBT97.1-24-A0P	WASHER	1	2012-01_
22	GBT97.1-24-A0P	WASHER	1	2012-01_
23	GB/T894.1		2	2012-01_
3	GBT882-B10X30-A0P	PIN	3	2012-01_
4	GBT97.1-10-A0P	WASHER	4	2012-01_
5	GBT91-3.2X22-A0P	PIN	4	2012-01_
6	GBT5783-M10X45-8.8-A3L	BOLT	2	2012-01_
7	GBT6170-M10-8-A3L	NUT	5	2012-01_
8	TB604.433E.2	RIGHT BRAKE PEDAL UNIT	1	2012-01_
9	FT300.43.110	PULL ROD REAR FORK	2	2012-01_

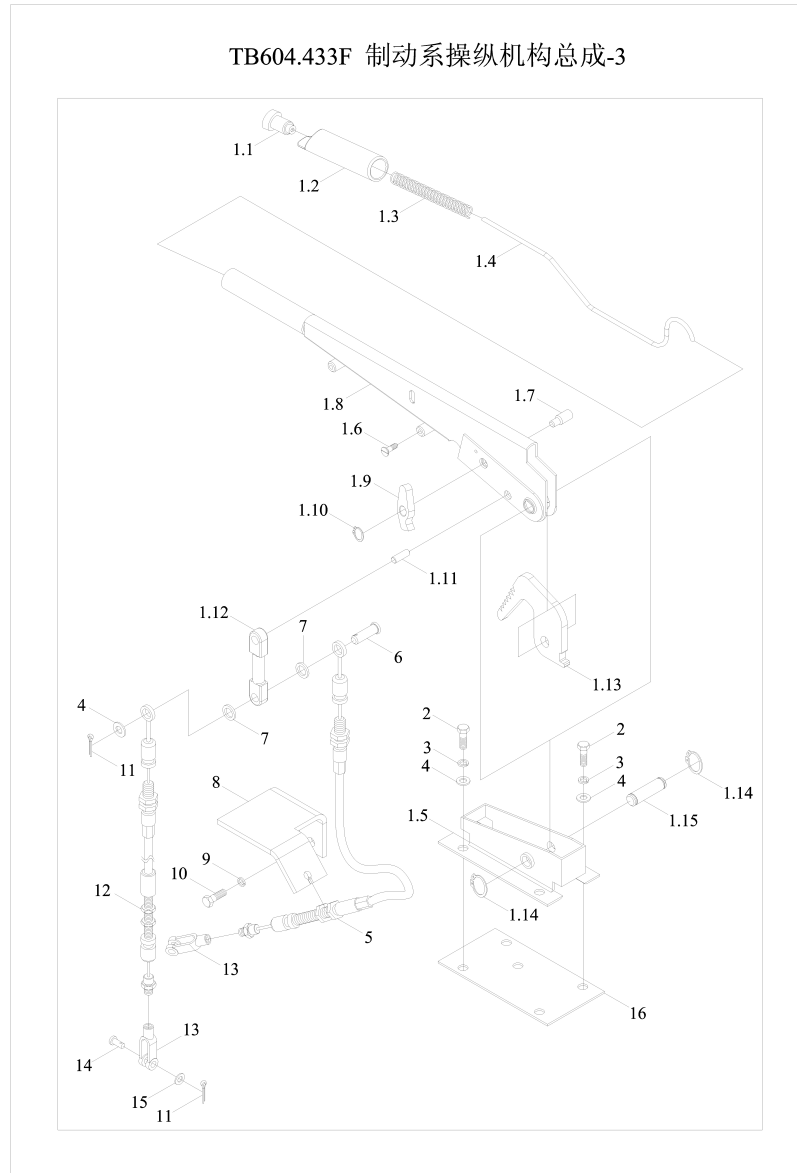
TB604.433F 制动系操纵机构总成-2



TB604.433F-2 43.3-制动系操纵机构总成-2

标号 No.	代号 Code	名称 Description	数量 Quantity	备注 Remark
1	TB604.433E-01		1	2012-01_
10	GBT6170-M10-8-A3L	NUT	1	2012-01_
11	FT300.43.108	PULL ROD FRONT FORK	1	2012-01_
12	TB604.433E.4		1	2012-01_
13	GBT6170-M10-LH-8-A3L	NUT	1	2012-01_
14	TB604.433E-03		1	2012-01_
15	TA700.431A-01	DEXTROROTATION LONG HOLE CONNECT FORK	1	2012-01_
16	TA820.213C-03	RETURN SPRING	1	2012-01_
17	TB704.433.6	FIXING BRACKET WELDMENT	1	2012-01_
18	TB704.433-04	CONNECTING PIN	1	2012-01_
19	TB604.433E-06	DUST COVER	2	2012-01_
2	GBT879.1-5X40	PIN	2	2012-01_
2	GBT879.1-5X40	PIN	2	2012-01_
20	TE250.433C-02	WASHER	4	2012-01_
3	GBT879.1-8X40	PIN	2	2012-01_
4	TB604.433E.3		1	2012-01_
5	GBT882-B10X30-A0P	PIN	3	2012-01_
6	FT300.43.110	PULL ROD REAR FORK	2	2012-01_
7	GBT97.1-10-A0P	WASHER	4	2012-01_
8	GBT91-3.2X22-A0P	PIN	4	2012-01_
9	TB604.433E-02		1	2012-01_

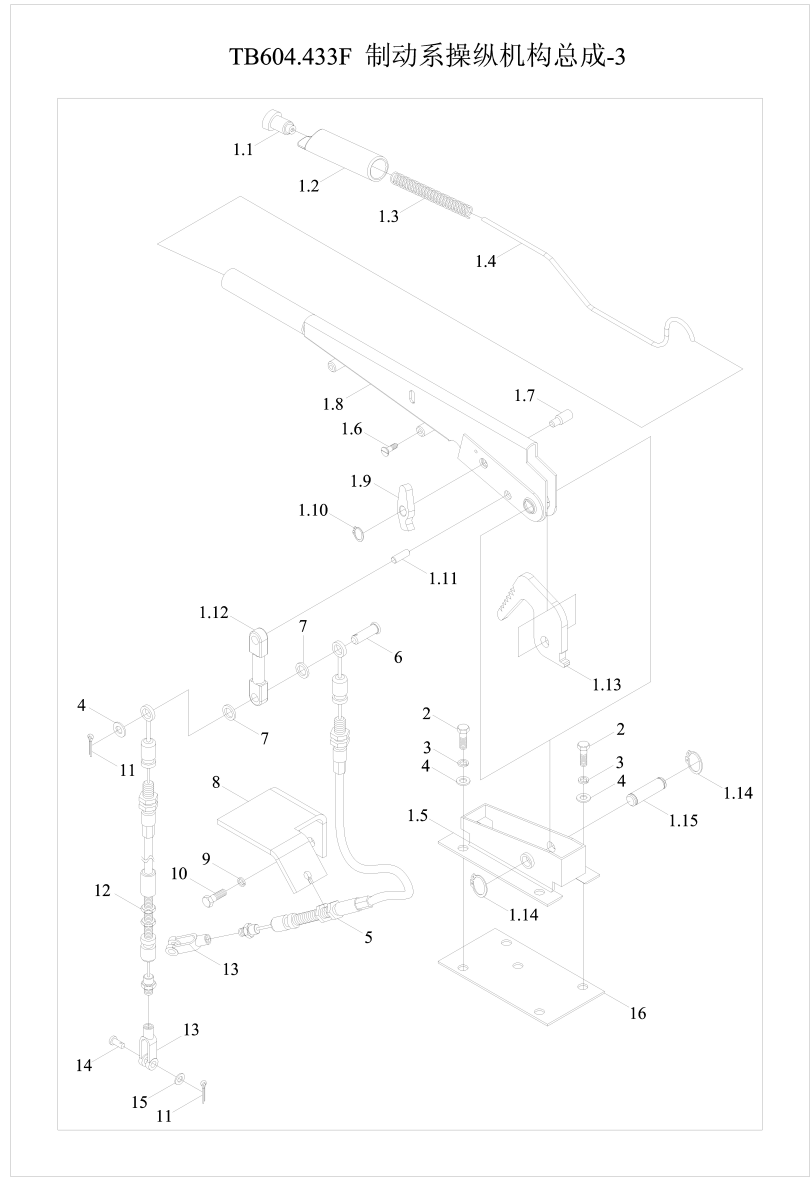
TB604.433F 制动系操纵机构总成-3



TB604.433F-3 43.3-制动系操纵机构总成-3

标号 No.	代号 Code	名称 Description	数量 Quantity	备注 Remark
1	TB604.433E.9		1	2012-01_
1.1	GBT894.1-6	SNAP RING	1	2012-01_
1.1	FT800A.21.045	BUTTON ASSEMBLY	1	2012-01_
1.11	FT800A.21.323	PIN	1	2012-01_
1.12	TB604.433E.9-01	SHORT PULL ROD	1	2012-01_
1.13	FT800A.43.310	RATCHET WHEEL	1	2012-01_
1.14	GBT894.1-13	SNAP RING	2	2012-01_
1.15	FT800A.21.321	PIN	1	2012-01_
1.2	FT800A.21.319	CONTROLLING HANDLE SLEEVE	1	2012-01_
1.3	FT800.43.180	SPRING	1	2012-01_
1.4	FT800A.21.315	TOP ROD	1	2012-01_
1.5	FT800A.21.065	AUXILIARY CLUTCH CONTROL HANDLE FIXING SEAT UNIT	1	2012-01_
1.6	GBT68-M4X10-4.8-A2L	SCREW	4	2012-01_
1.7	FT800A.21.322	SMALL PIN SHAFT	1	2012-01_
1.8	FT800A.21.044	CONTROLLING HANDLE ASSEMBLY	1	2012-01_
1.9	FT800A.21.314	PAWL	1	2012-01_
10	GBT5783-M10X20-8.8-A3L	BOLT	2	2012-01_
10	GBT5783-M10X20-8.8-A3L	BOLT	2	2012-01_
11	GBT91-3.2X22-A0P	PIN	3	2012-01_
12	TB604.433E.7	LEFT BRAKE WIRE ASSEMBLY	1	2012-01_
13	TA700.431A-01	DEXTROROTATION LONG HOLE CONNECT FORK	2	2012-01_
14	GBT882-B10X30-A0P	PIN	2	2012-01_
15	GBT97.1-10-A0P	WASHER	2	2012-01_
16	TB604.433E-05		1	2012-01_
2	GBT5783-M8X25-8.8-A2L	BOLT	4	2012-01_

TB604.433F 制动系操纵机构总成-3



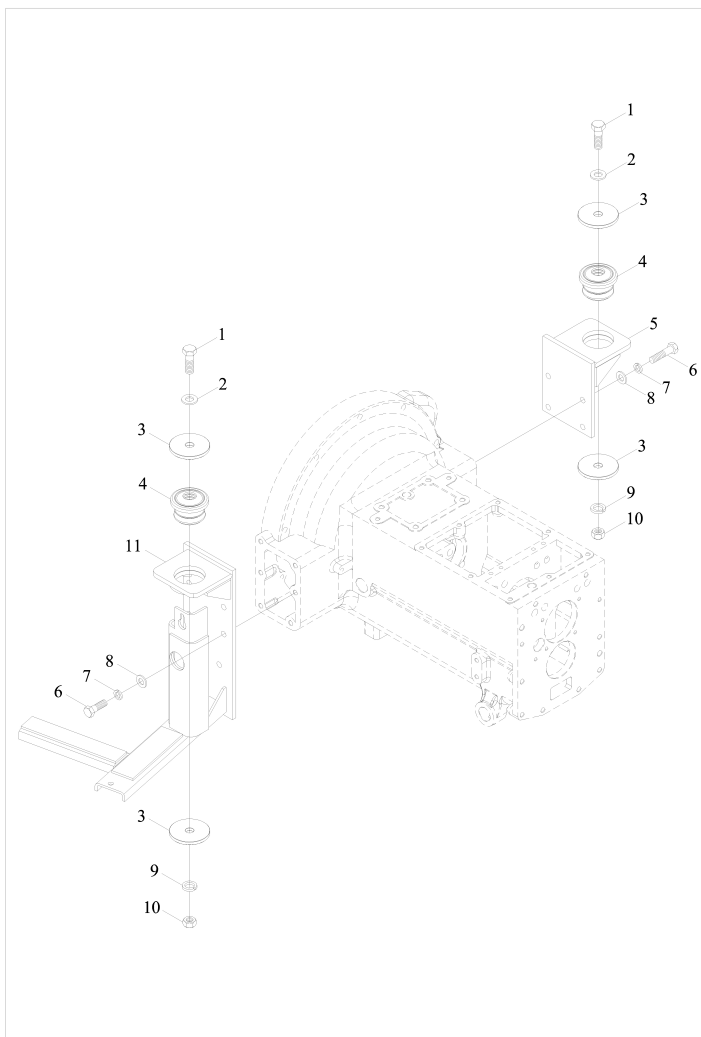
TB604.433F-3 43.3-制动系操纵机构总成-3(续)

标号 No.	代号 Code	名称 Description	数量 Quantity	备注 Remark
3	GBT93-8-A0P	WASHER	4	2012-01_
4	GBT97.1-8-A0P	WASHER	5	2012-01_
5	TB604.433E.8	PULL WIRE ASSEMBLY OF RIGHT BRAKE	1	2012-01_
6	GBT882-B8X40-A0P	PIN	1	2012-01_
7	TB604.433E-04		2	2012-01_
8	TB604.433E.6		1	2012-01_
9	GBT93-10-A0P	WASHER	2	2012-01_

TC02440020000K 44-座椅安装总成 44SEAT INSTALLATION ASSEMBLY

标号 No.	代号 Code	名称 Description	数量 Quantity	备注 Remark
1	TC02440020001K		1	2014-06_
2	GBT5783-M12X30-8.8-A3L	BOLT	4	2014-06_
3	GBT93-12-A0P	SPRING WASHER	4	2014-06_

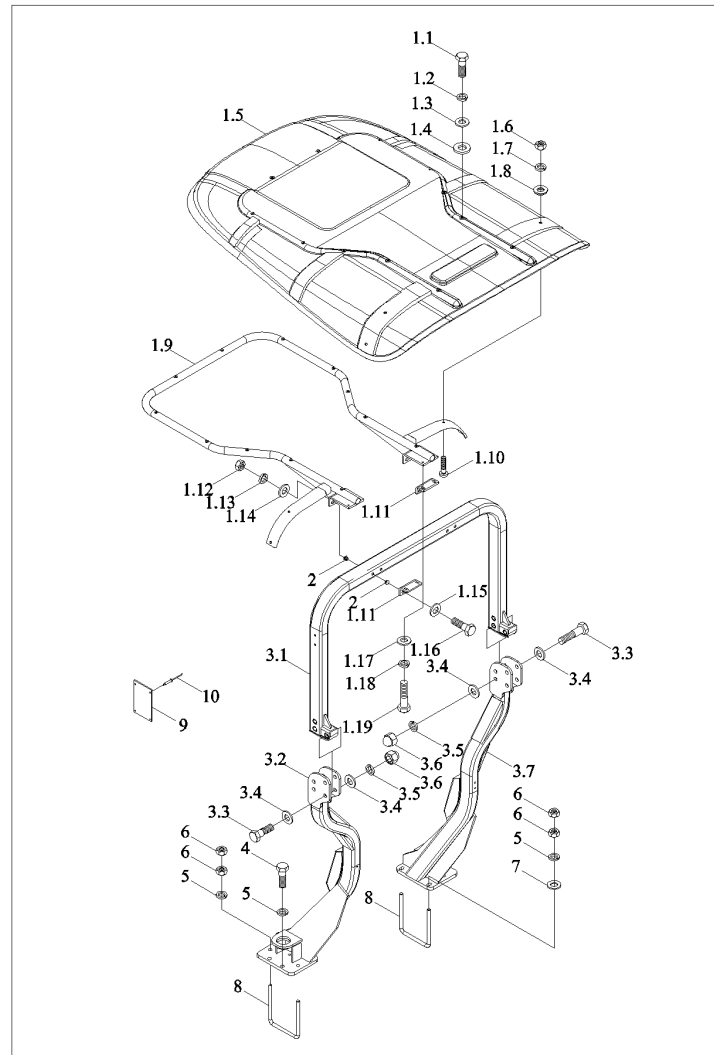
TB604.457 前连接总成



TB604.457 45.7-前连接总成 45.7-FRONT CONNECTING ASSEMBLY

标号 No.	代号 Code	名称 Description	数量 Quantity	备注 Remark
1	GBT5783-M16X80-8.8-A3L	BOLT	2	2012-01_
10	GBT6170-M16-8-A3L	NUT	2	2012-01_
11	TB604.457.1	LEFT FRONT CONNECTION WELDMENT	1	2012-01_
2	GBT97.1-16-A0P	WASHER	2	2012-01_
3	TB400.457B-02	RETAINER RING	4	2012-01_
4	TB400.457B-01	ABSORBER	2	2012-01_
5	TB604.457.2	RIGHT FRONT CONNECTION WELDMENT	1	2012-01_
6	GBT5783-M12X35-8.8-A3L	BOLT	10	2012-01_
7	GBT93-12-A0P	SPRING WASHER	10	2012-01_
8	GBT97.1-12-A0P	WASHER	10	2012-01_
9	GBT93-16-A0P	SPRING WASHER	2	2012-01_

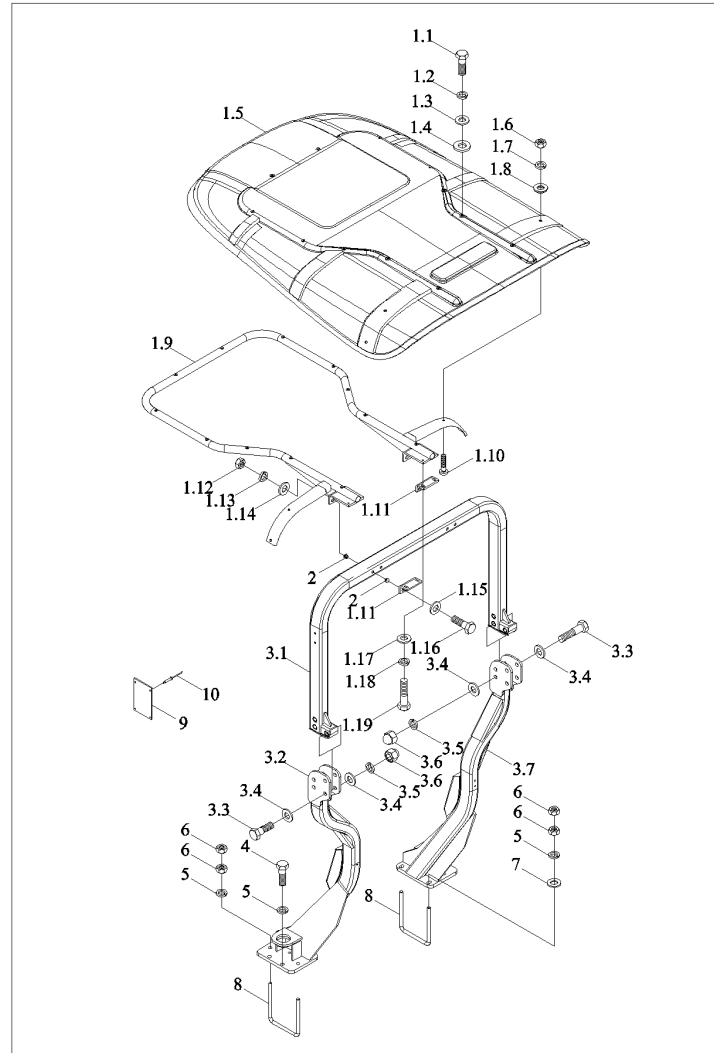
TC02461020000K 安全架安装总成



TC02461020000K 46.1-安全架安装总成 SAFETY FRAME INSTALLATION ASSEMBLY

标号 No.	代号 Code	名称 Description	数量 Quantity	备注 Remark
1	TB400.46C.3	SHADOW ASSEMBLY	1	2014-04_
1.1	GBT5783-M6X25-8.8-A2L	BOLT	12	2014-04_
1.10	GBT818-M10X30-4.8-A3L	SCREW	4	2014-04_
1.11	TB400.46C.3-01	FIXING BRACKET	2	2014-04_
1.12	GBT6170-M12-10-A3L	NUT	4	2014-04_
1.13	GBT93-12-A0P	SPRING WASHER	4	2014-04_
1.14	GBT96.1-12-A3L	WASHER	4	2014-04_
1.15	GBT97.1-12-A0P	WASHER	4	2014-04_
1.16	GBT5782-M12X110-8.8-A2L	BOLT	4	2014-04_
1.17	GBT97.1-8-A0P	WASHER	4	2014-04_
1.18	GBT93-8-A0P	WASHER	4	2014-04_
1.19	GBT5783-M8X20-10.9-A2L	BOLT	4	2014-04_
1.2	GBT93-6-A0P	SPRING WASHER	12	2014-04_
1.3	GBT97.1-6-A0P	WASHER	12	2014-04_
1.4	TE254.46.2.1-02	RUBBER WASHER	12	2014-04_
1.5	TB400.46C.3.1	SHADOW	1	2014-04_
1.6	GBT6170-M10-8-A3L	NUT	4	2014-04_
1.7	GBT93-10-A0P	WASHER	4	2014-04_
1.8	FT400.46.021	WASHER UNIT	4	2014-04_
1.9	TB400.46C.3.3	AWNINGS FIXED FRAME WELDED	1	2014-04_
10	GBT12618-3X15	RIVET	4	2014-04_
2	TB400.46C-01	PLUG COVER	8	2014-04_
3.2	TB400.46Q.1.1	LEFT BRACKET WELDMENT	1	2014-04_
3.3	GBT5782-M16X90-10.9-A2L	BOLT	6	2014-04_
3.4	GBT97.1-16-A0P	WASHER	12	2014-04_

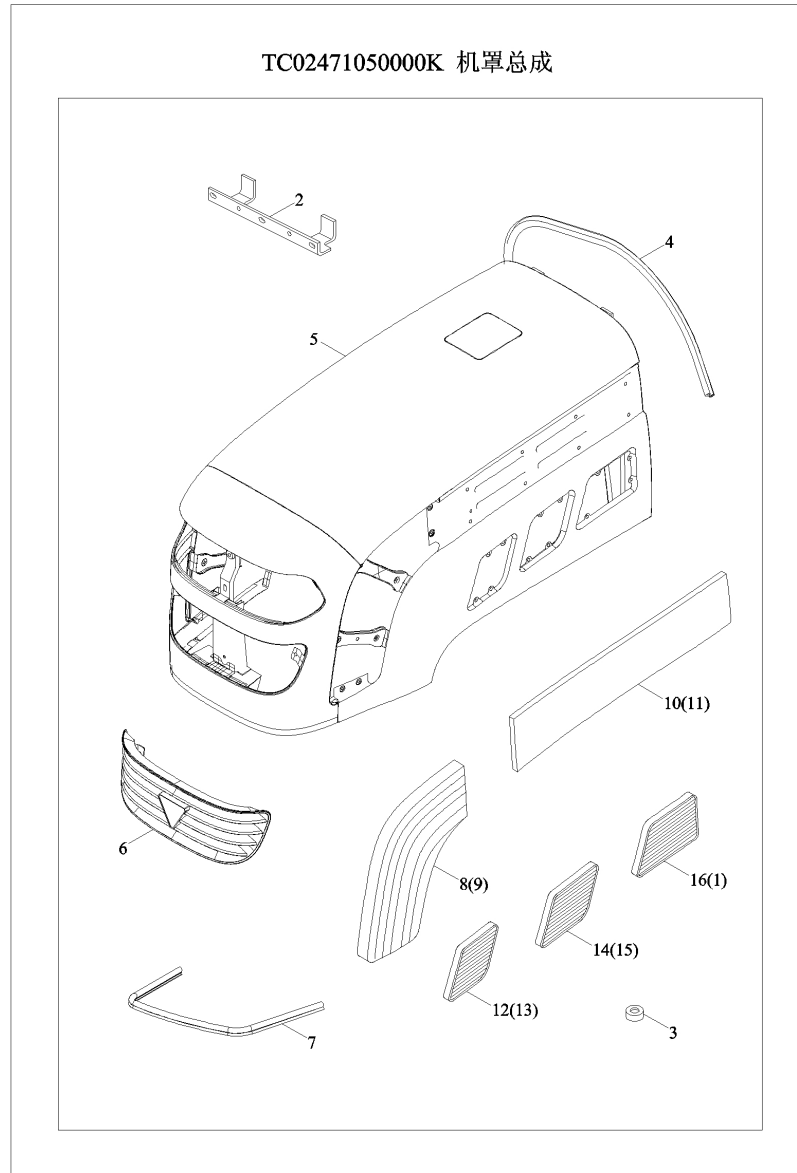
TC02461020000K 安全架安装总成



TC02461020000K 46.1-安全架安装总成(续)

标号 No.	代号 Code	名称 Description	数量 Quantity	备注 Remark
3.5	GBT93-16-A0P	SPRING WASHER	6	2014-04_
3.6	GBT802-M16-6	NUT	6	2014-04_
3.7	TB400.46Q.1.2	RIGHT SUPPORTING WELDMENT	1	2014-04_
4	GBT5783-M14X40-8.8-A3L	BOLT	4	2014-04_
5	GBT93-14-A0P	SPRING WASHER	12	2014-04_
5	GBT93-14-A0P	SPRING WASHER	12	2014-04_
6	GBT6170-M14-8-A3L	HEXAGON NUT	16	2014-04_
7	GBT97.1-14-A0P	WASHER	4	2014-04_
8	FT400.46.350	U BOLT	4	2014-04_
9	TB400.46D-01	EC ATTESTATION BRAND	1	2014-04_

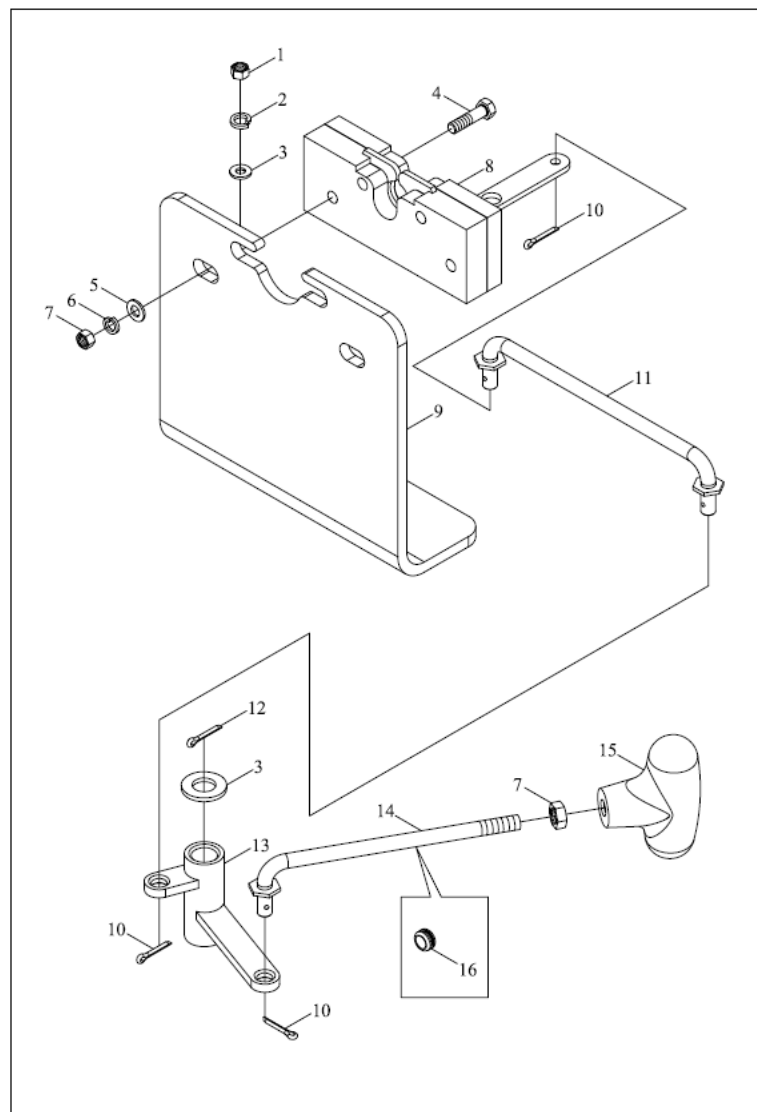
TC02471050000K 机罩总成



TC02471050000K 47.1-机罩总成 47.1-BONNET ASSEMBLY

标号 No.	代号 Code	名称 Description	数量 Quantity	备注 Remark
1	TB400B.471-11	RIGHT REAR LOWER GRID	1	2013-10_
10	TB400B.471-04	LEFT REAR DECORATION	1	2013-10_
11	TB400B.471-05	RIGHT REAR DECORATION PART	1	2013-10_
12	TB400B.471-06	LEFT FRONT LOWER GRID	1	2013-10_
13	TB400B.471-07	RIGHT FRONT LOWER GRID	1	2013-10_
14	TB400B.471-08	LEFT MIDDLE LOWER GRID	1	2013-10_
15	TB400B.471-09	RIGHT MIDDLE LOWER GRID	1	2013-10_
16	TB400B.471-10	LEFT REAR LOWER GRID	1	2013-10_
2	TB400B.471-15	HINGE UPPER SEAT	2	2013-10_
3	TB400B.471-18	PAD BLOCK	24	2013-10_
4	TB400B.471-14	BONNET SEAL STRIP	1	2013-10_
5	TB400B.471.4	HOOD	1	2013-10_
6	TC02471040001K	FRONT GRID	1	2013-10_
7	TB400B.471-17	FRONT LOWER CUSHION RUBBER PIECE	1	2013-10_
8	TB400B.471-02	LEFT FRONT GRID	1	2013-10_
9	TB400B.471-03	RIGHT FRONT GRID	1	2013-10_

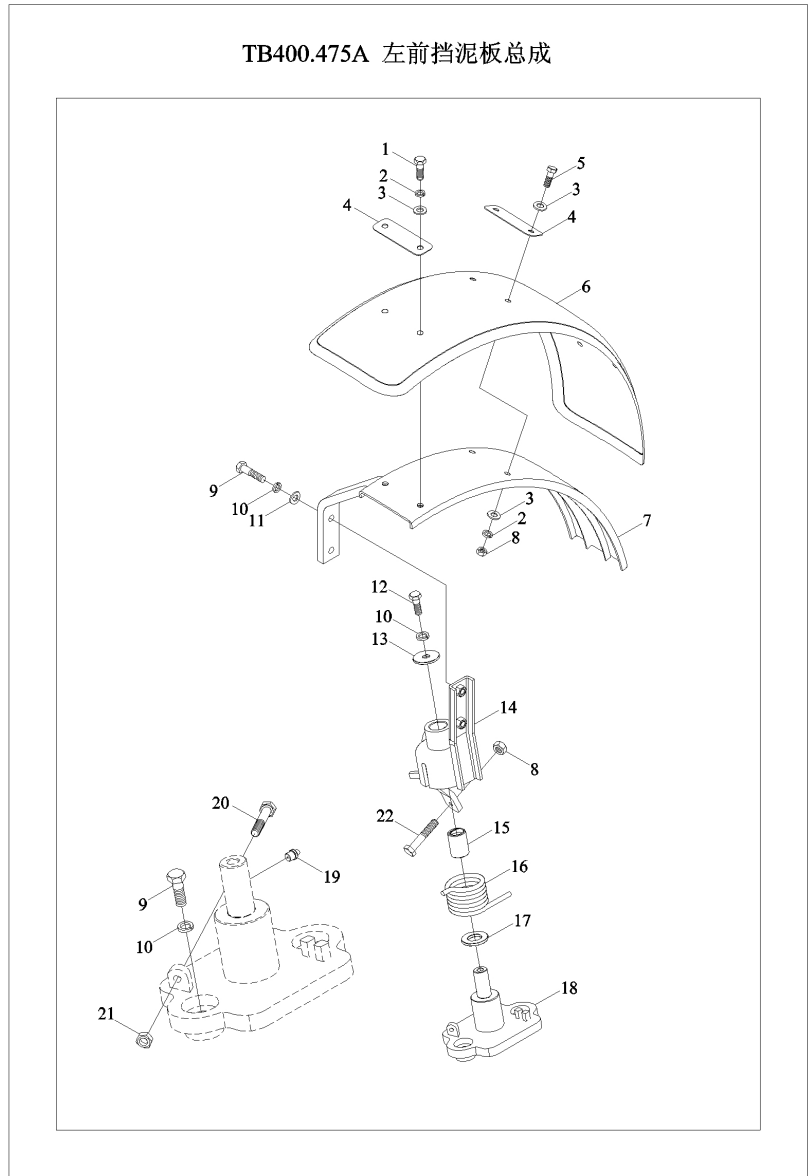
TB400B.473 机罩锁紧装置总成



TB400B.473 47.3-机罩锁紧装置总成 47.3-BONNET LOCKING DEVICE ASSEMBLY

标号 No.	代号 Code	名称 Description	数量 Quantity	备注 Remark
0	TB400B.473.4	WELDED PUSHING ROD	1	2011-08_
1	GBT6170-M8-A2L	NUT	3	2011-11_
10	GBT91-1.6X16-A0P	PIN	3	2011-11_
11	TB400B.473.2	WELDED PUSHING ROD	1	2011-08_
12	GBT91-2.5X25-A0P	PIN	1	2011-11_
13	TB400B.473.3	ROCKER WELDMENT	1	2011-08_
14	FT800A.47.098	PULL ROD WELDMENT (2)	1	2011-11_
15	FT800A.47.056	HANDLE ASSEMBLY	1	2011-11_
16	TB450.473-02	RUBBER RING	1	2008-08_
2	GBT93-8-A0P	WASHER	3	2011-11_
3	GBT97.1-8-A0P	WASHER	3	2011-11_
4	GBT5783-M6X35-8.8-A1L	BOLT	4	2004-01_
5	GBT97.1-6-A0P	WASHER	7	2011-11_
6	GBT93-6-A0P	SPRING WASHER	4	2011-11_
7	GBT6170-M6-A2L	NUT	5	2011-11_
8	FT800.47.127	BONNET LOCK ASSEMBLY	1	2004-01_
8	TG1204.474.4	BONNET LOCK	1	2011-08_
9	TB400B.473-01	BONNET LOCK PLATE	1	2011-08_

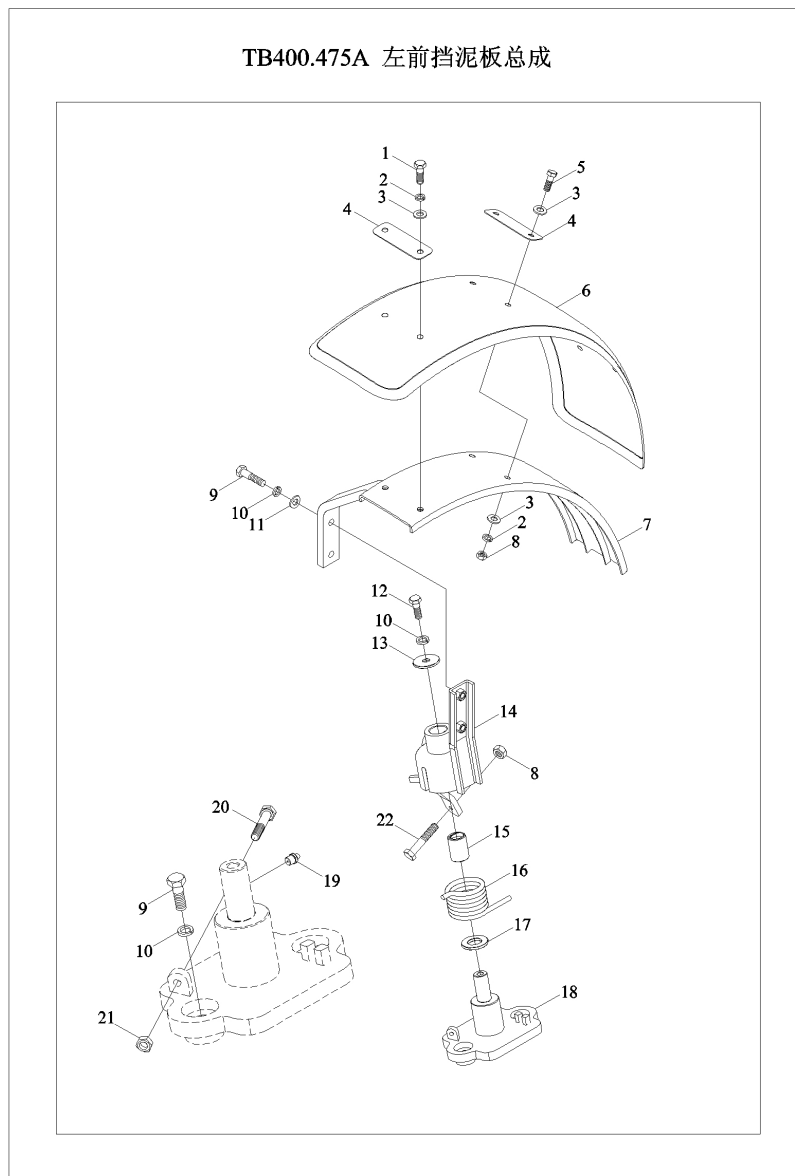
TB400.475A 左前挡泥板总成



TB400.475A 47.5-左前挡泥板总成 47.5-LEFT FRONT MUD GUARD ASSEMBLY

标号 No.	代号 Code	名称 Description	数量 Quantity	备注 Remark
1	GBT5783-M10X35-8.8-A3L	BOLT	2	2013-08_
1	GBT5783-M10×35-8.8-A3L	BOLT	2	2012-12_
10	GBT93-12-A0P	SPRING WASHER	5	2012-12_
11	GBT97.1-12-A0P	WASHER	2	2012-12_
12	GBT5783-M12X30-10.9-A3L	BOLT	1	
13	TB400.475-07	WASHER	1	2012-12_
14	TB400.475A.3	INSTALLATION BRACKET WELDMENT	1	2011-11_
15	TB400.475A-01	SLEEVE	1	2011-11_
16	TB400.475A-02	LEFT TORQUE SPRING	1	2011-11_
17	TB400.475-06	WASHER	1	2012-12_
18	TB400.475A.1	LEFT INSTALLATION PLATE WELDMENT	1	
19	JBT7940.1-M10×1	OIL CUP	1	2012-12_
19	JBT7940.1-M10X1	STRAIGHT PRESSURE FILLING OIL CUP	1	2013-08_
2	GBT93-10-A0P	WASHER	6	2012-12_
20	GBT5783-M8×45-8.8-A2L	BOLT	1	2012-12_
20	GBT5783-M8X45-8.8-A2L	BOLT	1	2013-08_
21	GBT6170-M8-8-A2L	I-TYPE HEXAGON NUT	1	2012-12_
22	GBT5783-M10×55-8.8-A2L	BOLT	1	2012-12_
22	GBT5783-M10X55-8.8-A2L	BOLT	1	2013-08_
3	GBT97.1-10-A0P	WASHER	10	2012-12_
4	TB400.475A-04	STRENGTHEN PLATE	3	
5	GBT5783-M10X30-8.8-A3L	BOLT	4	2013-08_
5	GBT5783-M10×30-8.8-A3L	BOLT	4	2012-12_
6	TB400.475A-03	LEFT FRONT MUD GUARD	1	
7	TB400.475A.2	UPPER BRACKET WELDMENT-LEFT	1	2011-11_

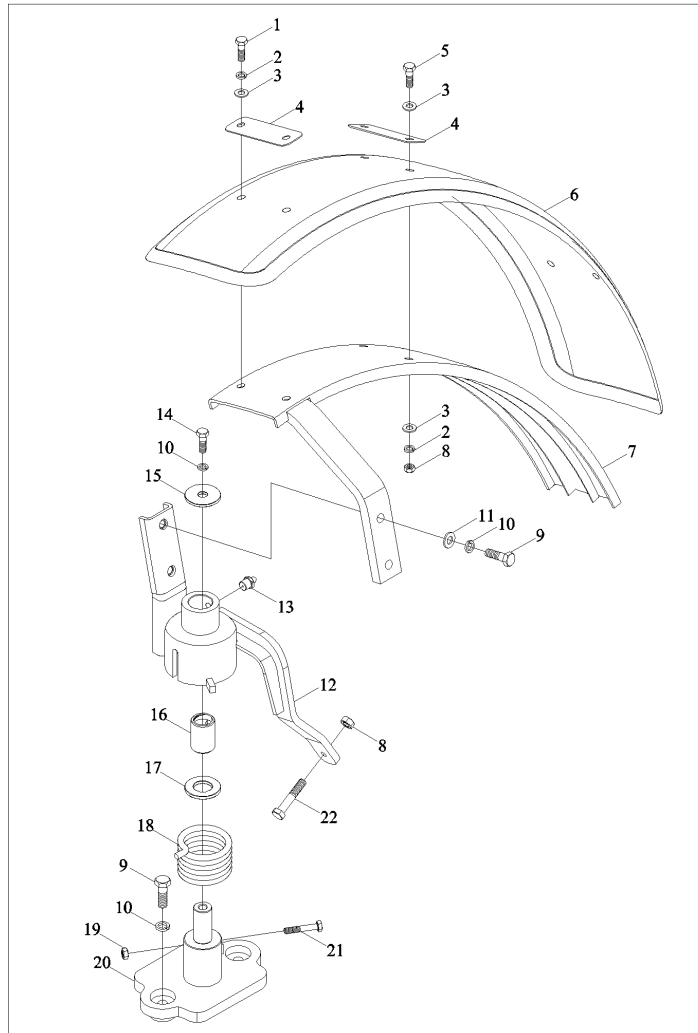
TB400.475A 左前挡泥板总成



TB400.475A 47.5-左前挡泥板总成(续)

标号 No.	代号 Code	名称 Description	数量 Quantity	备注 Remark
8	GBT6170-M10-8-A3L	NUT	5	2012-12_
9	GBT5783-M12X40-8.8-A3L	BOLT	4	2013-08_
9	GBT5783-M12 × 40-8.8-A3L	BOLT	4	2012-12_

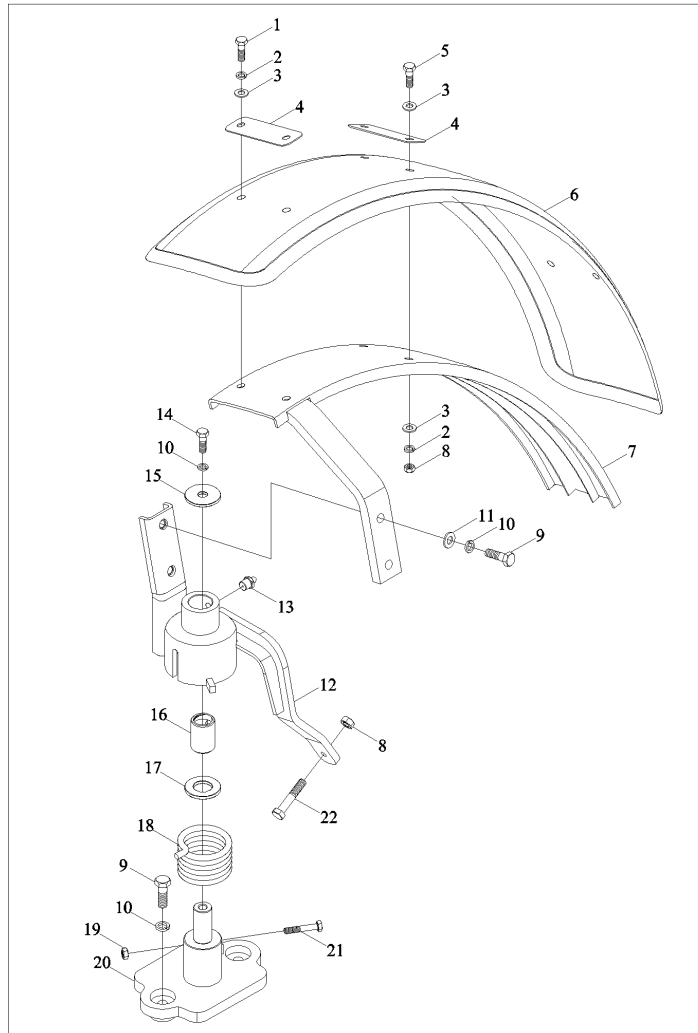
TB400.476A 右前挡泥板总成



TB400.476A 47.6-右前挡泥板总成 47.6-RIGHT FRONT MUD GUARD ASSEMBLY

标号 No.	代号 Code	名称 Description	数量 Quantity	备注 Remark
1	GBT5783-M10X35-8.8-A2L	BOLT	2	
10	GBT93-12-AOP	WASHER	5	
10	GBT93-12-A0P	SPRING WASHER	5	2013-08_
11	GBT97.1-12-AOP	WASHER	2	2012-12_
11	GBT97.1-12-A0P	WASHER	2	2013-08_
12	TB400.476A.3	INSTALLATION BRACKET WELDMENT	1	
13	JBT7940.1-M10×1	OIL CUP	1	2012-12_
14	GBT5783-M12X30-10.9-A3L	BOLT	1	
15	TB400.475-07	WASHER	1	2012-12_
16	TB400.475A-01	SLEEVE	1	
17	TB400.475-06	WASHER	1	2012-12_
18	TB400.476A-01	RIGHT TORSION SPRING	1	
19	GBT6170-M8-8-A2L	I-TYPE HEXAGON NUT	1	2012-12_
2	GBT93-10-AOP	WASHER	6	2012-12_
2	GBT93-10-A0P	WASHER	6	2013-08_
20	TB400.476A.1	RIGHT FIX WELDMENT	1	
21	GBT5783-M8×45-8.8-A2L	BOLT	1	2012-12_
21	GBT5783-M8X45-8.8-A2L	BOLT	1	2013-08_
22	GBT5783-M10X55-8.8-A2L	BOLT	1	
3	GBT96.1-10-A0P	WASHER	10	
4	TB400.475A-04	STRENGTHEN PLATE	3	
5	GBT5782-M10X30-10.9-A3L	BOLT	4	
6	TB400.475A-03	LEFT FRONT MUD GUARD	1	
7	TB400.476A.2	INSTALLATION BRACKET WELDMENT	1	
8	GBT6170-M10-8-A3L	NUT	5	2012-12_

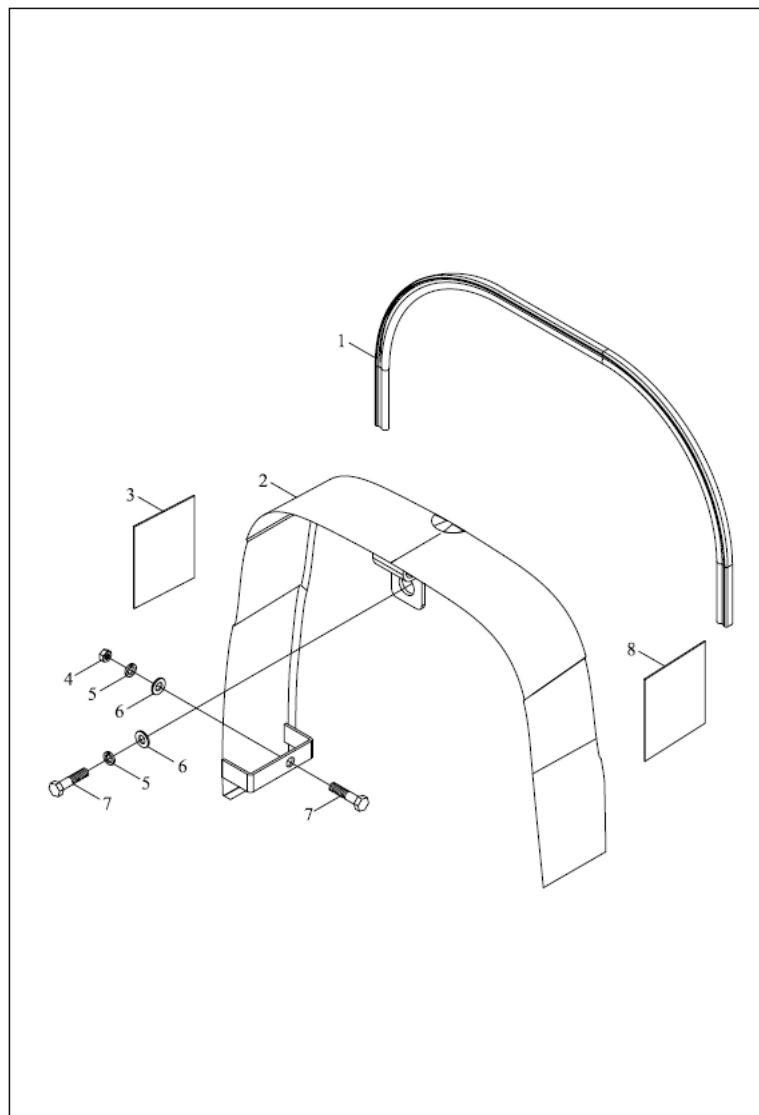
TB400.476A 右前挡泥板总成



TB400.476A 47.6-右前挡泥板总成(续)

标号 No.	代号 Code	名称 Description	数量 Quantity	备注 Remark
9	GBT5783-M12X40-8.8-A3L	BOLT	4	2013-08_
9	GBT5783-M12×40-8.8-A3L	BOLT	4	2012-12_

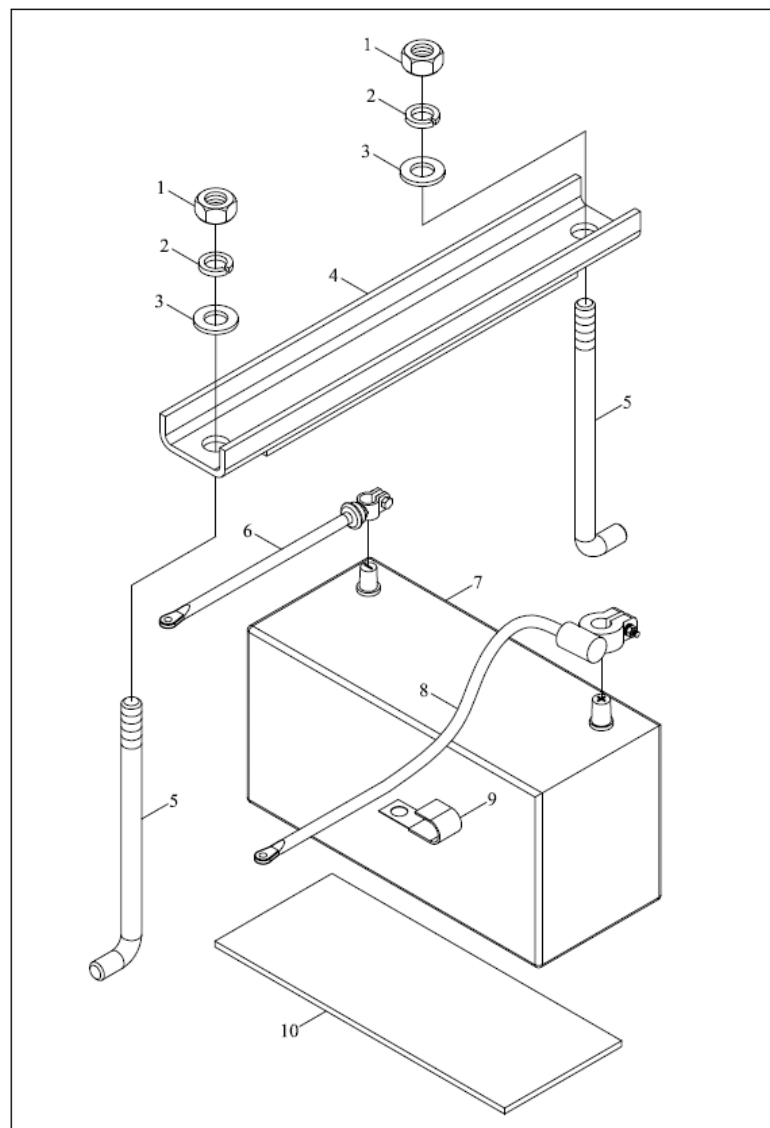
TB550.477E 机罩加长板总成



TB550.477E 47.7-机罩加长板总成 47.7-BONNET EXTENSION PLATE ASSEMBLY

标号 No.	代号 Code	名称 Description	数量 Quantity	备注 Remark
1	TB550.477B-03	EXTENSION PLATE SEAL PIECE	1	2010-05_
1	TB400B.471-14	BONNET SEAL STRIP	1	2004-01_
2	TB550.477E.1	BONNET EXTENSION PLATE WELDMENT	1	2011-11_
3	TB550.477D-02	RIGHT DECORATION ADHESIVE STRIP	1	2011-11_
4	GBT6170-M8-A2L	NUT	2	2011-11_
5	GBT93-8-A0P	WASHER	3	2011-11_
6	GBT97.1-8-A0P	WASHER	3	2011-11_
7	GBT5781-M8X30-A2L	BOLT	3	2011-11_
8	TB550.477D-01	LEFT DECORATION ADHESIVE PIECE	1	2011-11_

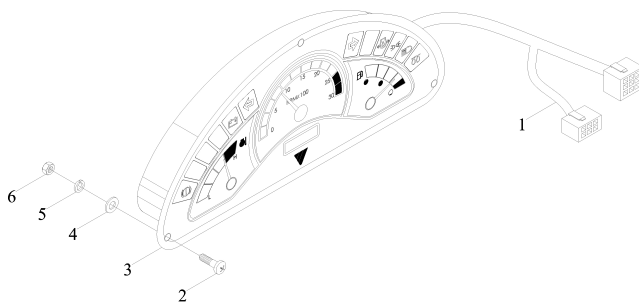
TB450.485A Battery mounting assembly



TB450.485A 48.5-蓄电池安装总成 48.5-BATTERY INSTALLATION ASSEMBLY

标号 No.	代号 Code	名称 Description	数量 Quantity	备注 Remark
1	GBT6170-M8-A2L	NUT	2	2011-11_
10	TB450.485.1	BATTERY SHOCK ABSORPTION MAT	2	2010-08_
10	FT450.48.102	BATTERY SHOCK ABSORPTION MAT	1	2004-01_
2	GBT93-8-A0P	WASHER	2	2011-11_
3	GBT97.1-8-A0P	WASHER	2	2011-11_
4	TG1204.485-02	BATTERY PRESS PLATE	1	2011-11_
5	TG1204.485-01	U-TYPE PULL ROD OF BATTERY	2	
6	TB400.485A.2	BATTERY IRON WIRE	1	2011-11_
7	FT450.48.010	BATTERY	1	2011-11_
8	TB400.485A.1	POWER WIRE ASSEMBLY	1	2011-11_
9	FT65.48.095	HARNESS TIGHTEN CLIP (1)	1	2011-11_

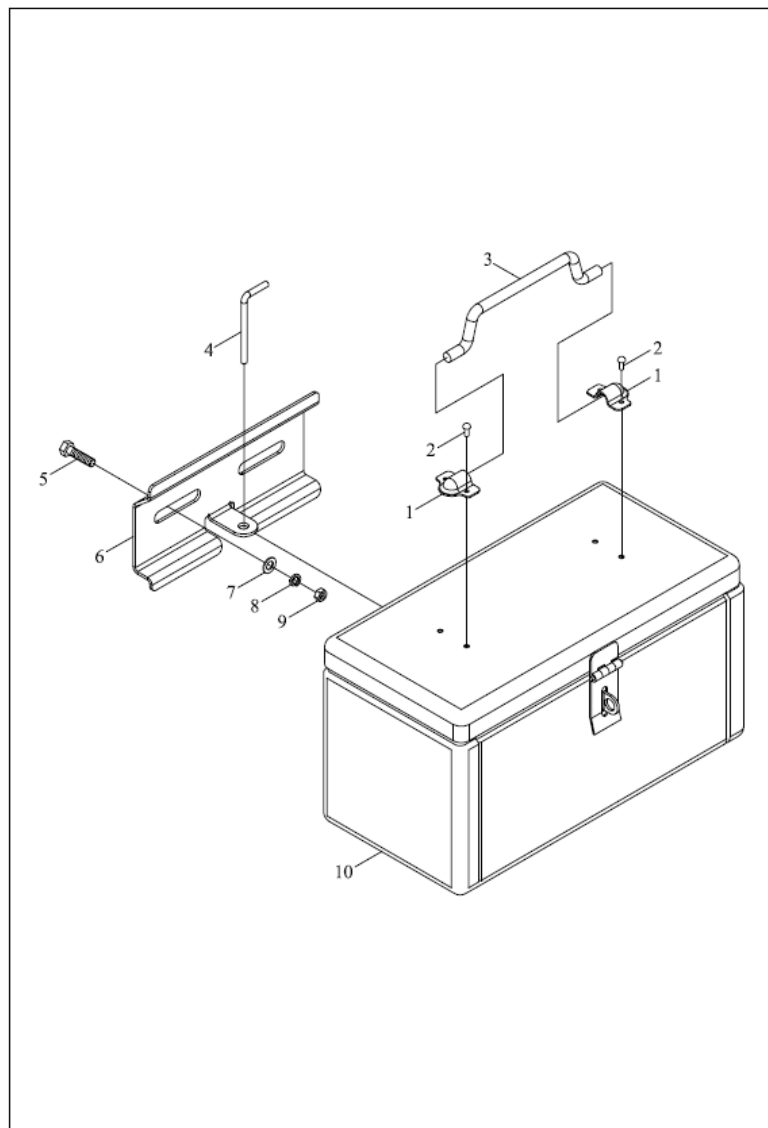
TL01487040000K 组合仪表安装总成



TL01487040000K 48.7-组合仪表安装总成 48.7-INSTRUMENT COMBINATION ASSEMBLY

标号 No.	代号 Code	名称 Description	数量 Quantity	备注 Remark
1	TB550.487.1	TRANSITION WIRE HARNESS ASSEMBLY	1	2014-12_
2	GBT818-M5X25-4.8-A2L	SCREW	3	2014-12_
3	TL01487040001K	COMBINED INSTRUMENT ASSEMBLY	1	2014-12_
4	GBT95-5-A0P	WASHER	3	2014-12_
5	GBT93-5-A0P	WASHER	3	2014-12_
6	GBT6170-M5-8-A2L	NUT	3	2014-12_

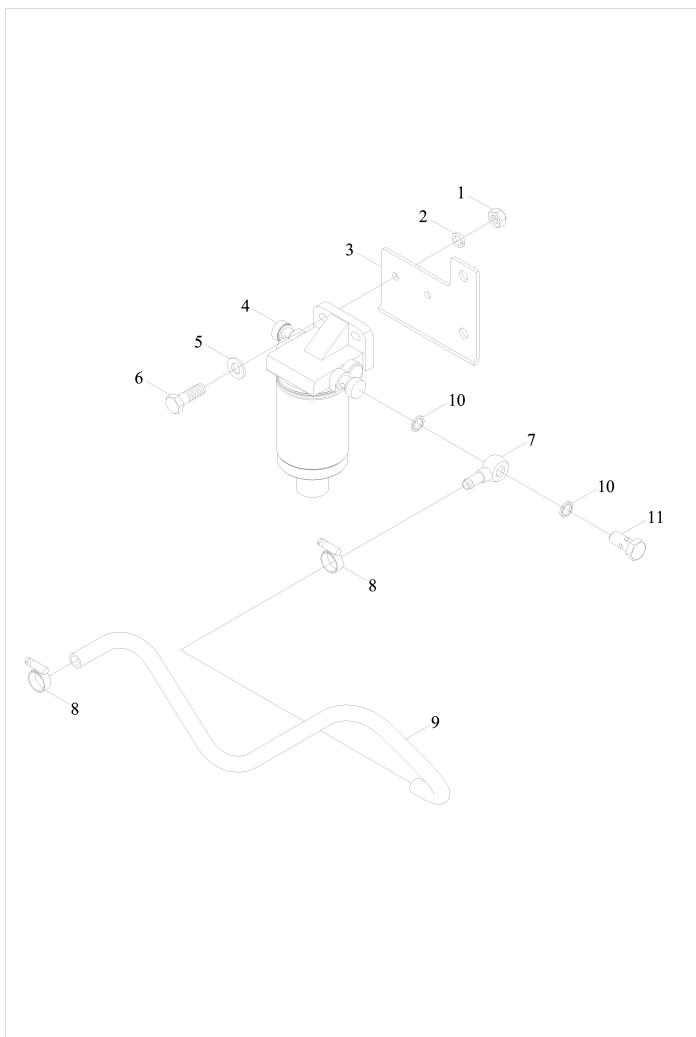
FT300.49.001 Tool box assembly



FT300.49.001 49-工具箱总成 49-TOOL BOX ASSEMBLY

标号 No.	代号 Code	名称 Description	数量 Quantity	备注 Remark
1	GBT5783-M12X25-A3L	BOLT	2	2011-11_
1	FT65.49.101	HANDLE SEAT	2	2003-11_
10	FT300.49.012	TOOL BOX WELDMENT ASSEMBLY	1	2003-11_
2	GBT 867-4X8	RIVET	2	2003-11_
3	FT65.49.115	HANDLE	1	2003-11_
4	FT65.49.102	CROSS PIN	1	2003-11_
5	GBT5783-M12X35-A3L	BOLT	2	2003-11_
5	GBT5783-M12X35-A3L	BOLT	2	2003-11_
6	FT65.49.103	FIXING SUPPORT PLATE	1	2003-11_
7	GBT97.1-12-A0P	WASHER	2	2003-11_
8	GBT93-12-A0P	SPRING WASHER	2	2003-11_
9	GBT6170-M12-A3L	NUT	2	2003-11_

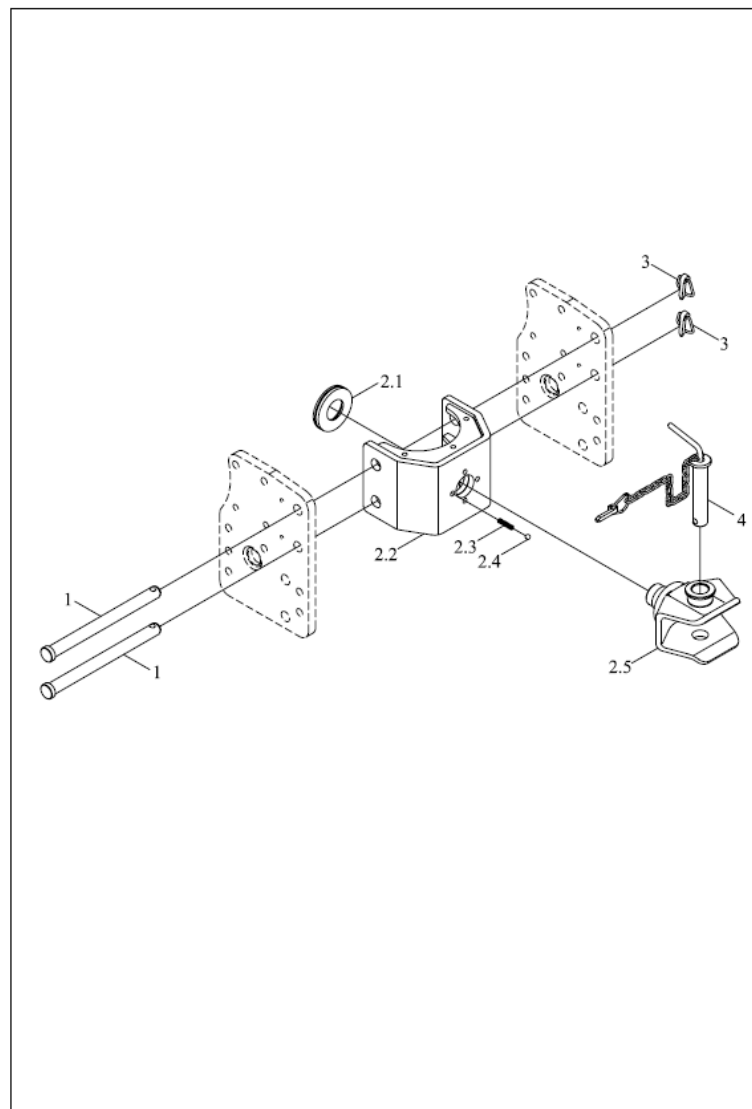
TB604.504 输油管路总成



TB604.504 50.4-输油管路总成 50.4-OIL CONVEYING PIPE ASSEMBLY

标号 No.	代号 Code	名称 Description	数量 Quantity	备注 Remark
0	TB604.504.1	JOINT WELDMENT	1	2014-04_

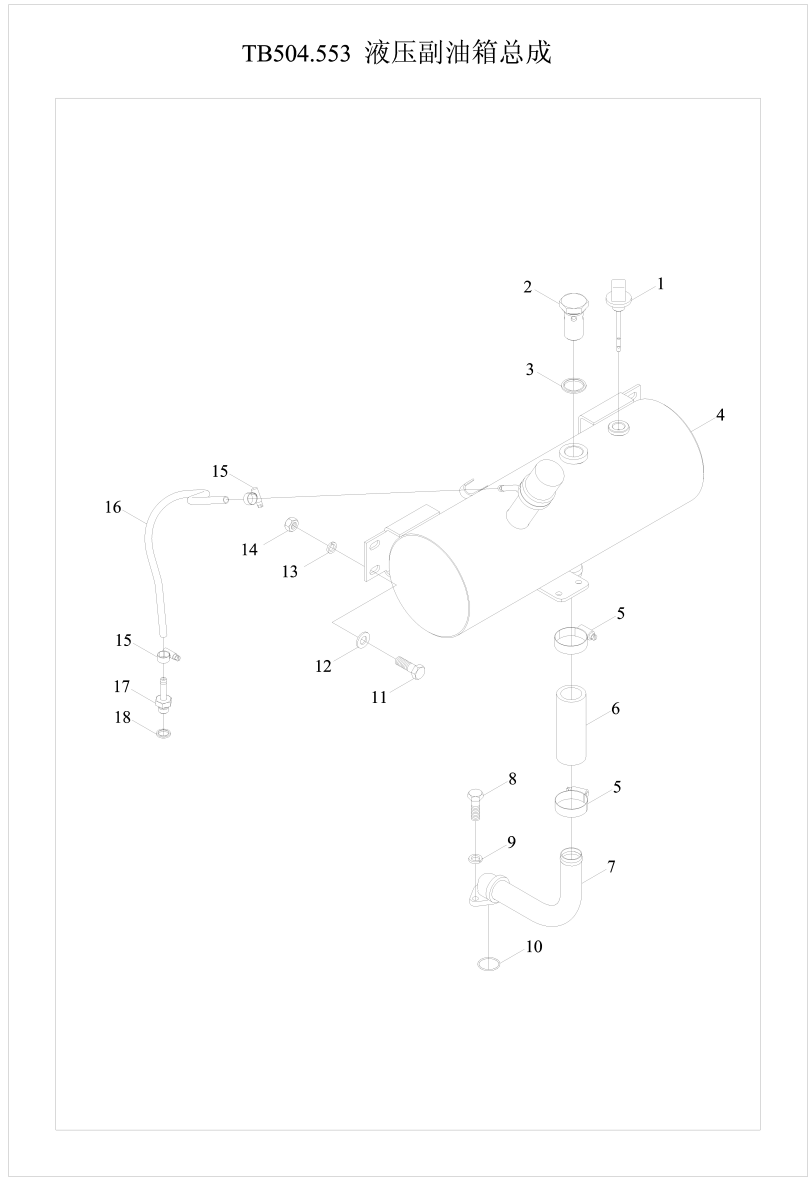
TB400.53B 拖挂装置总成



TB400.53B 53-拖挂装置总成 53-TOW EQUIPMENT ASSEMBLY

标号 No.	代号 Code	名称 Description	数量 Quantity	备注 Remark
0	TB400.53B-01	DRAG HANG THE AUTHENTICATION THE SIGN	1	2010-08_
1	FT300.53.101a	CONNECTING PIN	2	2011-11_
2	TB400.53B.1	TOW MECHANISM ASSEMBLY WELDMENT	1	2011-11_
2.1	LA754.53A.2.1-03	RETAINER PLATE	1	2011-11_
2.2	TB400.53B.1.1	TOWING FRAME WELDMENT	1	2011-11_
2.3	LA754.53A.2.1-04	COMPRESSION SPRING	4	2011-11_
2.4	GBT308-10-G100-b	BALL	4	2011-11_
2.5	TA700.53C.1.1-01	U-HOOK	1	2011-11_
3	FT300.56.029	LOCKING PIN CHAIN ASSEMBLY	2	2011-11_
4	TA700.53C.1.3	TOWING PIN AND LOCKING PIN ASSEMBLY	1	2011-11_

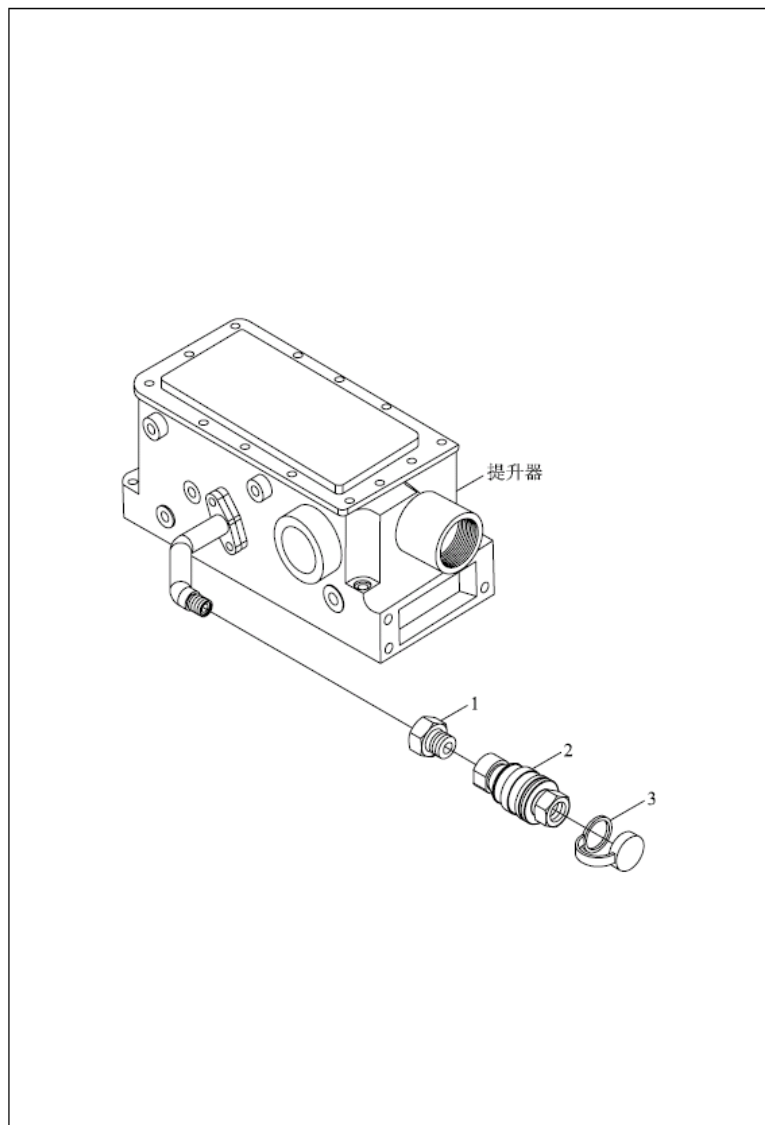
TB504.553 液压副油箱总成



TB504.553 55.3-液压副油箱总成 HYDRAULIC AUXILIARY OIL TANK ASSEMBLY

标号 No.	代号 Code	名称 Description	数量 Quantity	备注 Remark
1	TB504.553.3	OIL DIPSTICK ASSEMBLY	1	
10	GBT3452.1-34.5X1.80G	O-SEAL RING	1	
11	GBT5783-M10X25-8.8-A3L	BOLT	4	
12	GBT95-10-A0P	WASHER	4	
13	GBT93-10-A0P	WASHER	4	
14	GBT6170-M10-10-A3L	NUT	4	
15	Q67516	A-TYPE WORM TRANSMISSION HOSE CLAMP	2	
16	TB400.553-02	HOSE	1	
17	TB400.553.4	AIR JOINT WELDMENT	1	
18	JBT982-14	COMBINED SEAL GASKET	1	
18	JBT982-14	COMBINED SEAL GASKET	1	
2	FT65.55.139	HOLLOW BOLT	1	
4	TB504.553.1	AUXILIARY OIL TANK WELDMENT	1	
5	Q67645	CLAMP HOOP	2	
6	TB504.553-01	CONNECTING RUBBER PIPE	1	
7	TB504.553.2a	OIL TANK CONNECTING PIPE	1	
8	GBT5783-M8X20-8.8-A2L	BOLT	2	
9	GBT93-8-A0P	WASHER	2	

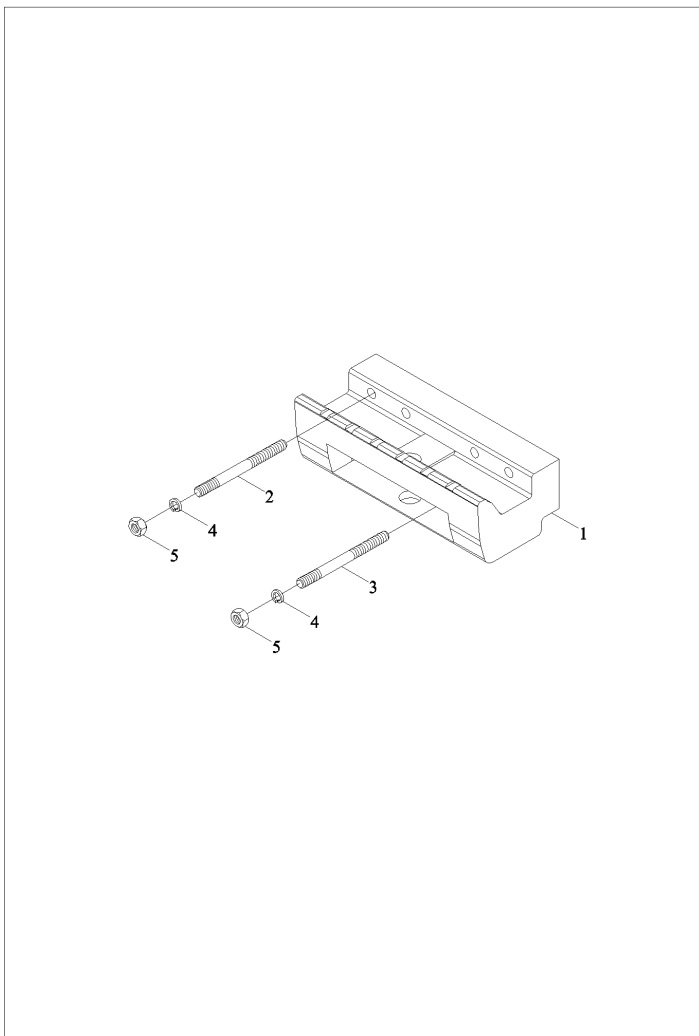
TB300.583ASingle-circuit hydraulic pressure output assembly2



TB300.583A 58.3-单路液压输出总成2 58.3-SINGLE-WAY HYDRAULIC OUTPUT ASSEMBLY 2

标号 No.	代号 Code	名称 Description	数量 Quantity	备注 Remark
1	FT354.58A.104	BRITISH SYSTEM OIL PIPE JOINT	1	2011-11_
2	FT354.58A.030	QUICK CHANGING JOINT	1	2011-11_
3	FT354.58A.103	DUSTPROOF COVER	1	2011-11_

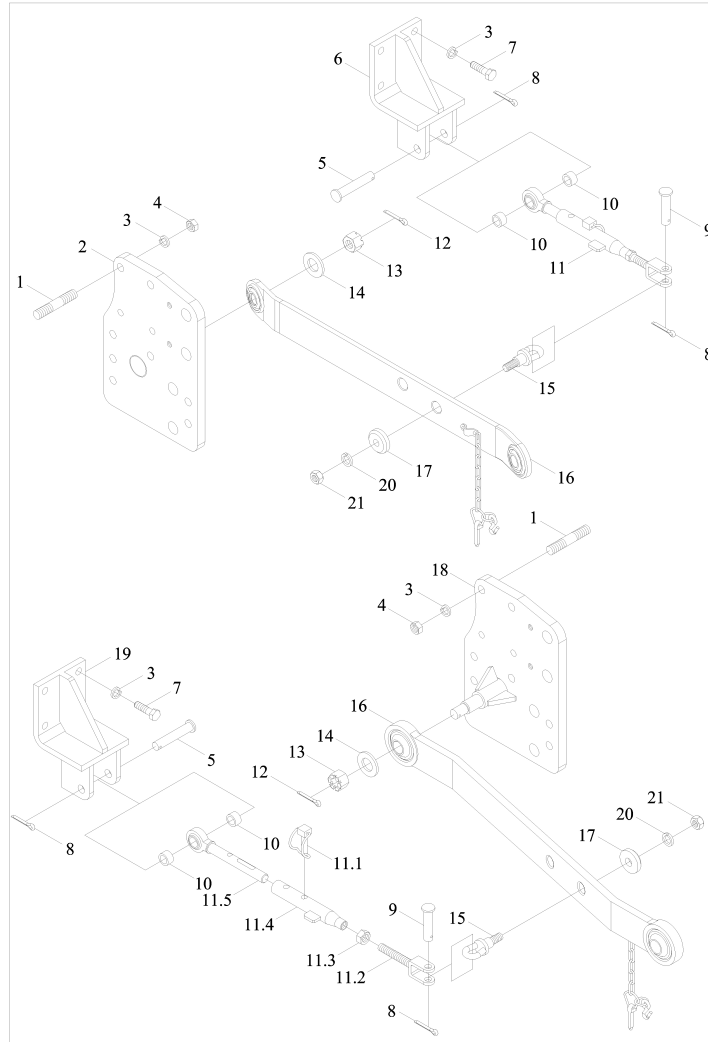
TB400.74D 前配重架总成



TB400.74D 74-前配重架总成 74-FRONT BALLAST BRACKET ASSEMBLY

标号 No.	代号 Code	名称 Description	数量 Quantity	备注 Remark
1	TB400.74D-01	BALLAST BRACKET	1	2013-08_
1	GBT6170-M16-8-A3L	NUT	6	2313-04_
2	GBT899-AM16-M16X90-A3L	8.8-A3L STUD	4	2013-08_
3	GBT899-AM16-M16X110-A3L	8.8-A3L STUD	2	2013-08_
4	GBT93-16-Zn.D	WASHER	6	2013-08_
4	GBT93-16-A0P	SPRING WASHER	6	2013-04_

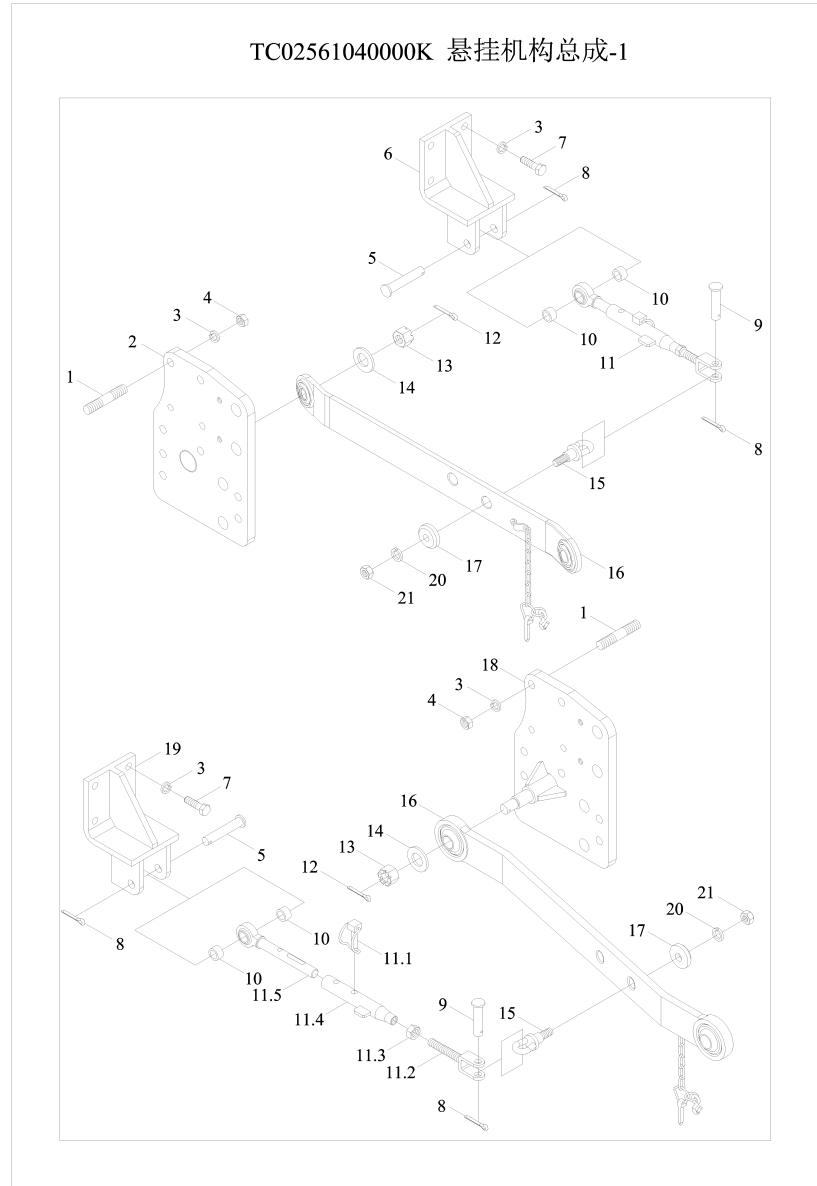
TC02561040000K 悬挂机构总成-1



TC02561040000K-1 悬挂机构总成-1 SUSPENSION MECHANISM ASSEMBLY-1

标号 No.	代号 Code	名称 Description	数量 Quantity	备注 Remark
1	GBT899-AM16-M16X1.5X45-10.9-A3L	8.8-A3L STUD	8	2014-12_
10	FT300.56A.103	COVER	4	2014-12_
11	FT300.56A.016a	LIMIT ROD ASSEMBLY	2	2014-12_
11.1	FT300.56A.023	LIMITING ROD LOCK PIN ASSEMBLY	1	2014-12_
11.2	FT300.56A.161	LIMITING ROD ADJUSTING SCREW	1	2014-12_
11.3	GBT6170-M22-A3L	NUT	1	2014-12_
11.4	FT300.56A.022a	EXTENSIBLE GUIDE PIPE WELDMENT	1	2014-12_
11.5	FT300.56A.021a	EXTENSIBLE ROD BALL ASSEMBLY	1	2014-12_
12	GBT91-4X36-A0P	PIN	2	2014-12_
13	GBT6178-M20-A3L	NUT (PAGE81)	2	2014-12_
14	GBT97.1-20-A0P	WASHER	2	2014-12_
14	GBT97.1-20-A0P	WASHER	2	2014-12_
15	FT300.56A.110a	LIMITING ROD REAR CONNECTING PIN	2	2014-12_
16	FT500A.56.012	LOWER PULL ROD ASSEMBLY	2	2014-12_
16	FT500A.56.012	LOWER PULL ROD ASSEMBLY	2	2014-12_
17	FT300.56A.111a	ROUND BOARD	2	2014-12_
18	FT300.56B.015	LEFT LOWER PULL ROD SEAT WELDMENT	1	2014-12_
19	FT300.56A.017	LEFT LIMITING ROD BRACKET WELDMENT	1	2014-12_
2	FT300.56B.014	RIGHT LOWER PULL ROD SEAT WELDMENT	1	2014-12_
20	GBT93-20-A0P	WASHER	2	2014-12_
21	GBT6170-M20-8-A3L	NUT	2	2014-12_
3	GBT93-16-A0P	SPRING WASHER	16	2014-12_
4	SPL-CO-M16X1.5-10-F3	HEXAGON NUT	8	2014-12_
5	FT300.56A.102	LIMITING ROD CONNECTING PIN	2	2014-12_
5	FT300.56A.102	LIMITING ROD CONNECTING PIN	2	2014-12_

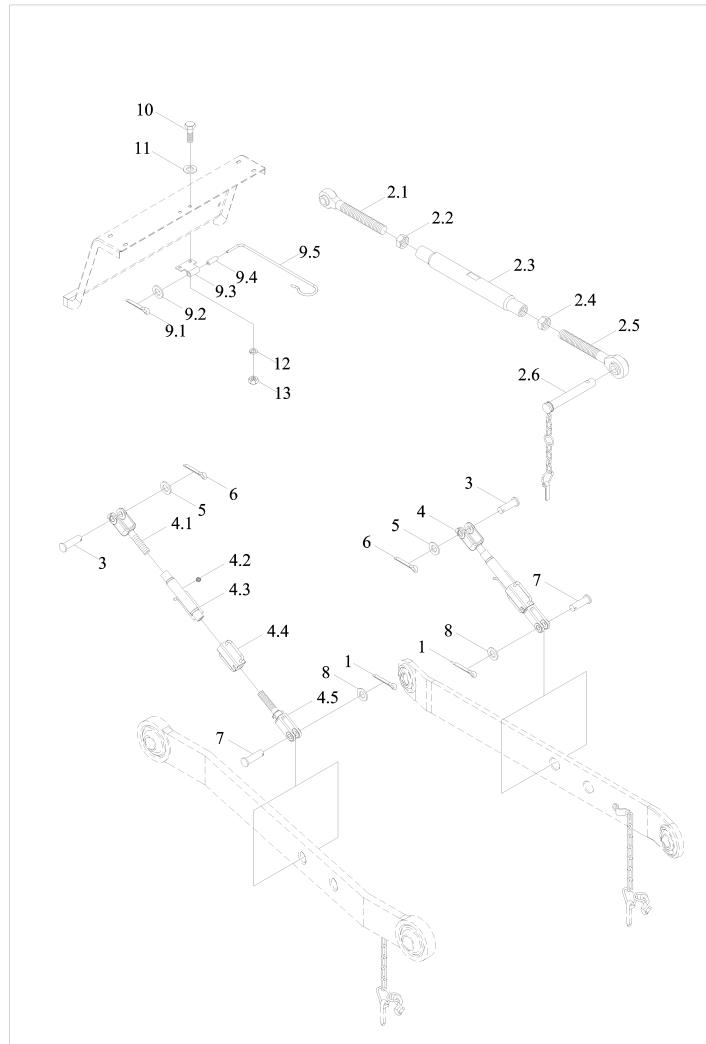
TC02561040000K 悬挂机构总成-1



TC02561040000K-1 悬挂机构总成-1(续)

标号 No.	代号 Code	名称 Description	数量 Quantity	备注 Remark
6	FT300.56A.019	RIGHT LIMITING ROD BRACKET WELDMENT	1	2014-12_
7	GBT16674.1-M16X40-10.9-A3L	BOLT	8	2014-12_
8	GBT91-5X32-A0P	PIN	4	2014-12_
9	GBT882-B18X55-A0P	PIN	2	2014-12_

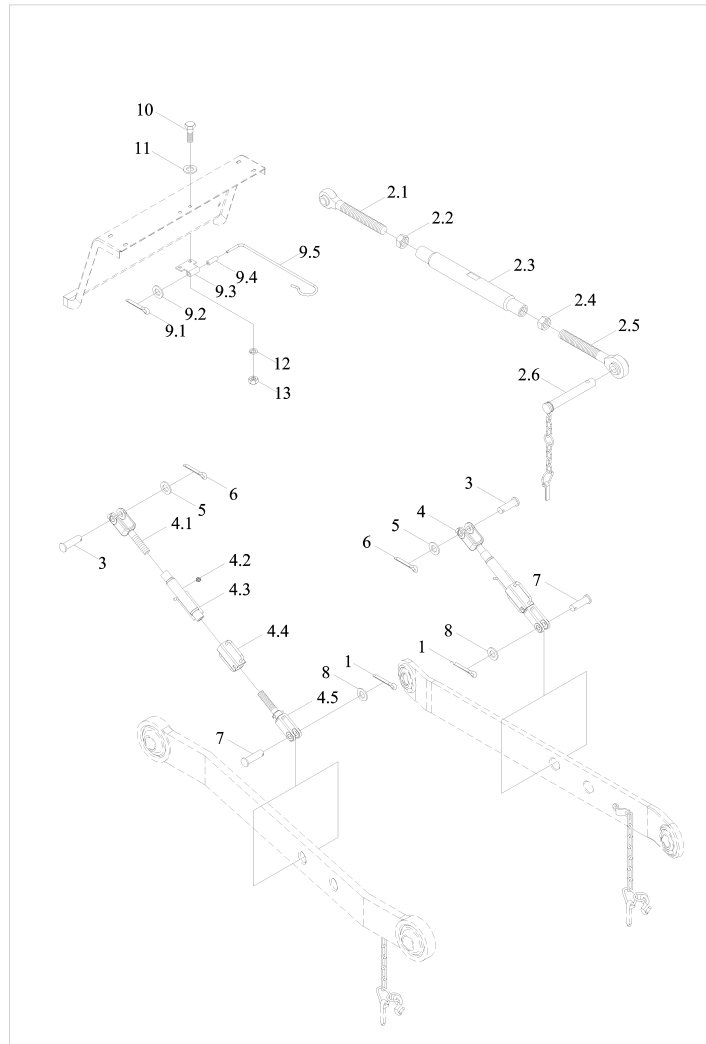
TC02561040000K 悬挂机构总成-2



TC02561040000K-2 悬挂机构总成-2 SUSPENSION MECHANISM ASSEMBLY-2

标号 No.	代号 Code	名称 Description	数量 Quantity	备注 Remark
1	GBT91-5X32-A0P	PIN	2	2014-12_
10	GBT5783-M8X20-A3L	BOLT	2	2014-12_
11	GBT97.1-8-A0P	WASHER	2	2014-12_
12	GBT93-8-A0P	WASHER	2	2014-12_
13	GBT6170-M8-8-A3L	NUT	2	2014-12_
2	FT500A.56.011a	UPPER PULL ROD ASSEMBLY	1	2014-12_
2.1	FT500A.56.026	UPPER PULL ROD FRONT ADJUSTING ROD ASSEMBLY	1	2014-12_
2.2	GBT6173-M27X2-A3L	NUT	1	2014-12_
2.3	FT500A.56.130	ADJUSTING SOLENOID	1	2014-12_
2.4	GBT6173-M27X2-LH-A3L	NUT	1	2014-12_
2.5	FT500A.56.024	UPPER PULL ROD REAR ADJUSTING ROD ASSEMBLY	1	2014-12_
2.6	FT65.56.015	UPPER PULL ROD LOCK PIN ASSEMBLY	1	2014-12_
3	FT500A.56.101	LIFTING ROD UPPER CONNECTING PIN	2	2014-12_
4	TB400.56E.1	LIFTING ROD ASSEMBLY	2	2014-12_
4.1	TB400.56E.1-01	LIFTING ROD UPPER CONNECTING FORK	1	2014-12_
4.2	JBT7940.1-M6	STRAIGHT PRESSURE FILLING OIL CUP	1	2014-12_
4.3	TB400.56E.1.1	ADJUSTING SCREW WELDMENT	1	2014-12_
4.4	TB400.56E.1.2	CONTROL ROD	1	2014-12_
4.5	TB400.56E.1.3	LOWER CONNECTING FORK	1	2014-12_
5	FT500A.56.118	WASHER	2	2014-12_
6	GBT91-5X40-A0P	PIN	2	2014-12_
7	FT300.56A.112	LIFTING ROD LOWER CONNECTING PIN	2	2014-12_
8	GBT97.1-24-A0P	WASHER	2	2014-12_
8	GBT97.1-24-A0P	WASHER	2	2014-12_
9	TB500.56B.6	UPPER PULL ROD FIXED CLIP COMBINATION	1	2014-12_

TC02561040000K 悬挂机构总成-2



TC02561040000K-2 悬挂机构总成-2(续)

标号 No.	代号 Code	名称 Description	数量 Quantity	备注 Remark
9.1	GBT91-2X14-A0P	PIN	1	2014-12_
9.2	GBT96.1-6-A0P	WASHER	1	2014-12_
9.3	TE300.56.6-01	FIXING SEAT	1	2014-12_
9.4	TE300.56.6-03	NYLON BUSH	1	2014-12_
9.5	TB500.56B.6-01	FIXED POTHOOK OF UPPER LINK	1	2014-12_

