

LOVOL

**Lovol Tractor Illustration
books of parts
(TS2A354-004C)**

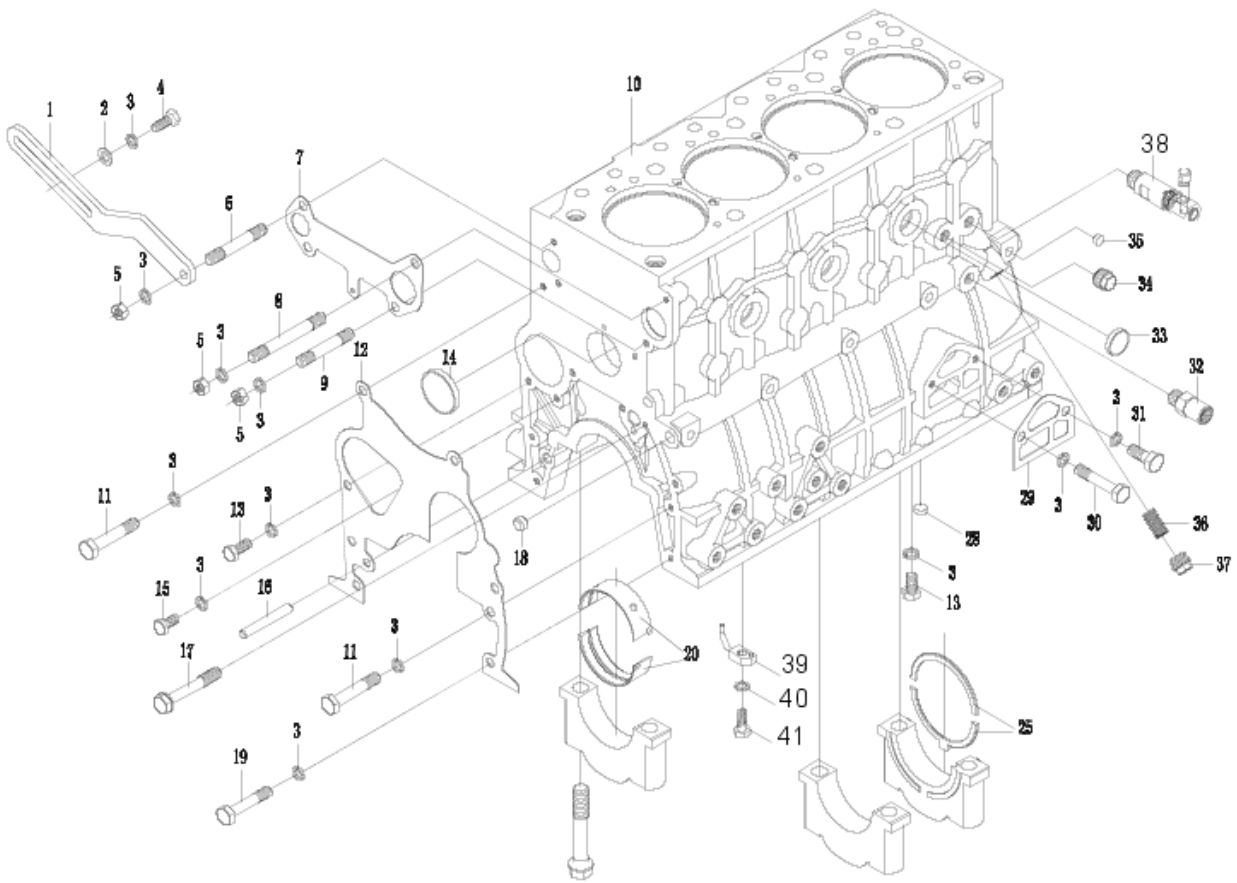
Lovol Heavy Industry International Trading Co.,Ltd

CONTENTS

◆ 4L22TC-1A10	1
◆ TE354. 11	34
◆ TE354. 13	36
◆ TC02133010000K	38
◆ TE354. 201	40
◆ TE354. 202	42
◆ TE300. 211D	44
◆ TE354. 212	46
◆ TL02220010000K	48
◆ TE254. 314G	50
◆ C3D_TE254. 311G_K	52
◆ TL02312010000K	70
◆ TE254. 313G	72
◆ TE354. 32F	74
◆ TE354. 34F	76
◆ TL01350010000K	78
◆ C3D_TE354. 361T_K	80
◆ TE250. 362M	84
◆ C3D_TE354. 371T_K	86
◆ C3D_TE354. 372A_K	92
◆ C3D_TE354. 373_K	98
◆ TE300. 391	106
◆ TE300. 392	108
◆ TE250. 401A	110
◆ TE354. 402	112
◆ TL01403040000K	116
◆ TE300. 411	118
◆ TE354. 412	120
◆ TE354. 413	122
◆ TE254. 421B	125
◆ TE354. 422	128
◆ TE254. 423C	130
◆ TE354. 431A	132
◆ TE354. 433B	134
◆ TE250. 44E	141

◆ TL01456030000K	143
◆ TE254. 457	145
◆ TE354. 458	147
◆ TL02461030000K	149
◆ TE250. 471C	151
◆ C3D_TE250. 472F_K	153
◆ TE250. 476D	158
◆ TE250. 477	160
◆ TL01481190000K	162
◆ TL01482310000K	164
◆ TL01483030000K	166
◆ TL01484320000K	168
◆ TE300. 485C	171
◆ TL01487040000K	173
◆ FT300. 49. 001	175
◆ TL02500010000K	177
◆ TE354. 55	179
◆ TE250. 556B	187
◆ C3D_TE354. 56_K	189
◆ C3D_TE354. 57_K	194
◆ TE354. 581A	199
◆ C3D_TE354. 582_K	201
◆ TE354. 583	206
◆ TA600. 62	208
◆ TE254. 742	210
◆ FT250. 91B. 001	212

4L22TC-1A10-1



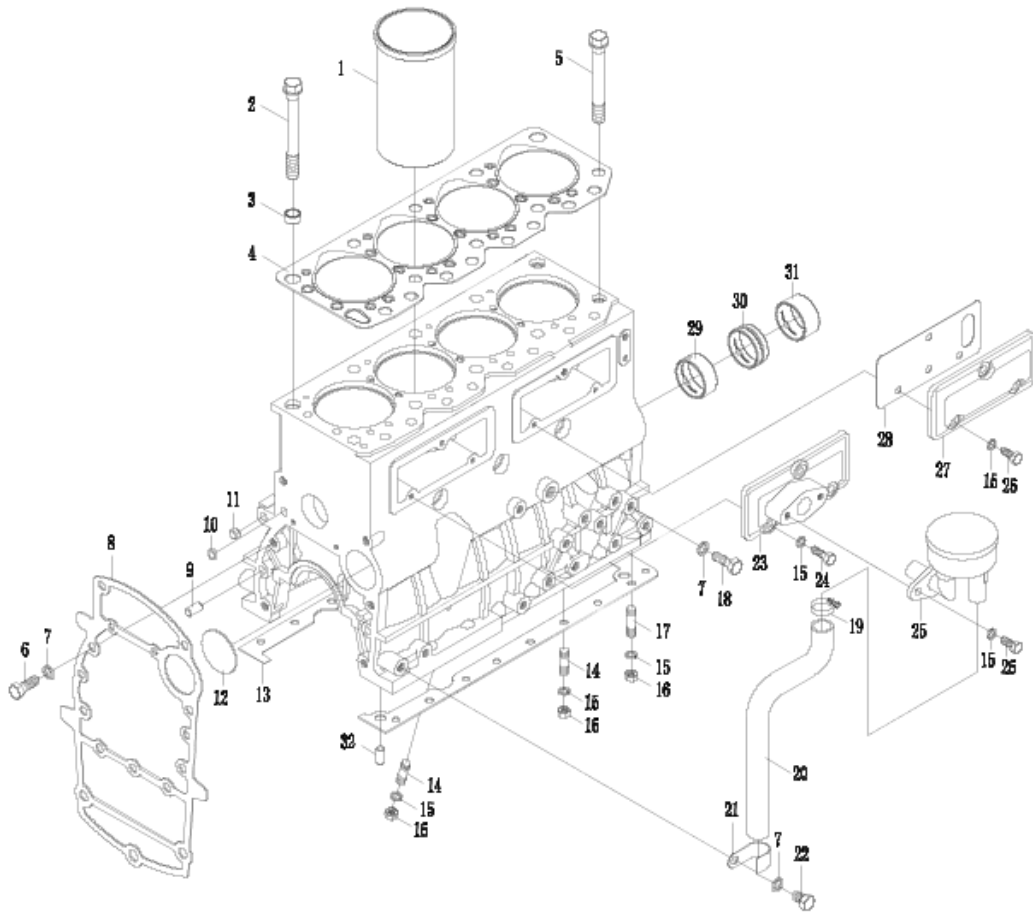
4L22TC-1A10-1

No.	Part No.	Description	Version	QTY.	Remark
0	4L22TC-1A13	ENGINE ASSY		1	
1	4L22-01029	GENERATOR ADJUSTABLE SUPPORT		1	
2	GB97.1-8	WASHER		1	
3	GB93-8	WASHER		35	
4	GB5783-M8X35	BOLT		1	
5	GB6170-M8	NUT		4	
6	GB898-M8X65	STUD		1	
7	4L22BT-01006	WATER PUMP REAR COVER GASKET		1	
8	GB898-M8X90	STUD		1	
9	GB898-M8X60	STUD		2	
10	4L22BT-01110	CYLINDER BLOCK		1	
11	GB5782-M8X55	STUD		5	
12	L375-01007	GEAR CHAMBER GASKET		1	
13	GB5783-M8X20	BOLT		2	
14	D495QB-03105	BLIND PLUG Φ 42		2	
15	GB5783-M8X16	BOLT		2	
16	GB119-B8X60	PIN		1	
17	4L22BT-01021	BOLT		2	
18	L375-01104	MAIN OIL LINE PLUG		1	
19	GB5782-M8X55	STUD		2	
20	4L22-01015/01016	MAIN BEARING		5	
25	4L22-01007/01008	CRANKSHAFT THRUST PIECE		2	
28	D495QB-03109	BOWL SHIM Φ 12		1	
29	L375-01027S	OIL FILTER GASKET		1	
30	GB5782-M8X50	BOLT		1	
31	GB5783-M8X25	BOLT		1	
32	L375-01035	OIL PRESSURE GAUGE JOINT		1	
33	D495QB-01024	BOWL SHIM Φ 32		3	
34	D495QB-06111-1	SCREW PLUG		1	
35	L375-01105-1	TAPER PLUG		5	
36	4L22-01800	OIL PRESSURE ADJUSTING VALVE		1	
37	4L22-01026	SCREW PLUG		1	

4L22TC-1A10-1 (cont'd.)

No.	Part No.	Description	Version	QTY.	Remark
38	4L22BT-01610S	DRAIN VALVE BLOCK		1	
39	4L22-01700	NOZZLE		4	
40	4L22-01024	WASHER		4	
41	4L22-01025	BOLT FOR NOZZLE		4	

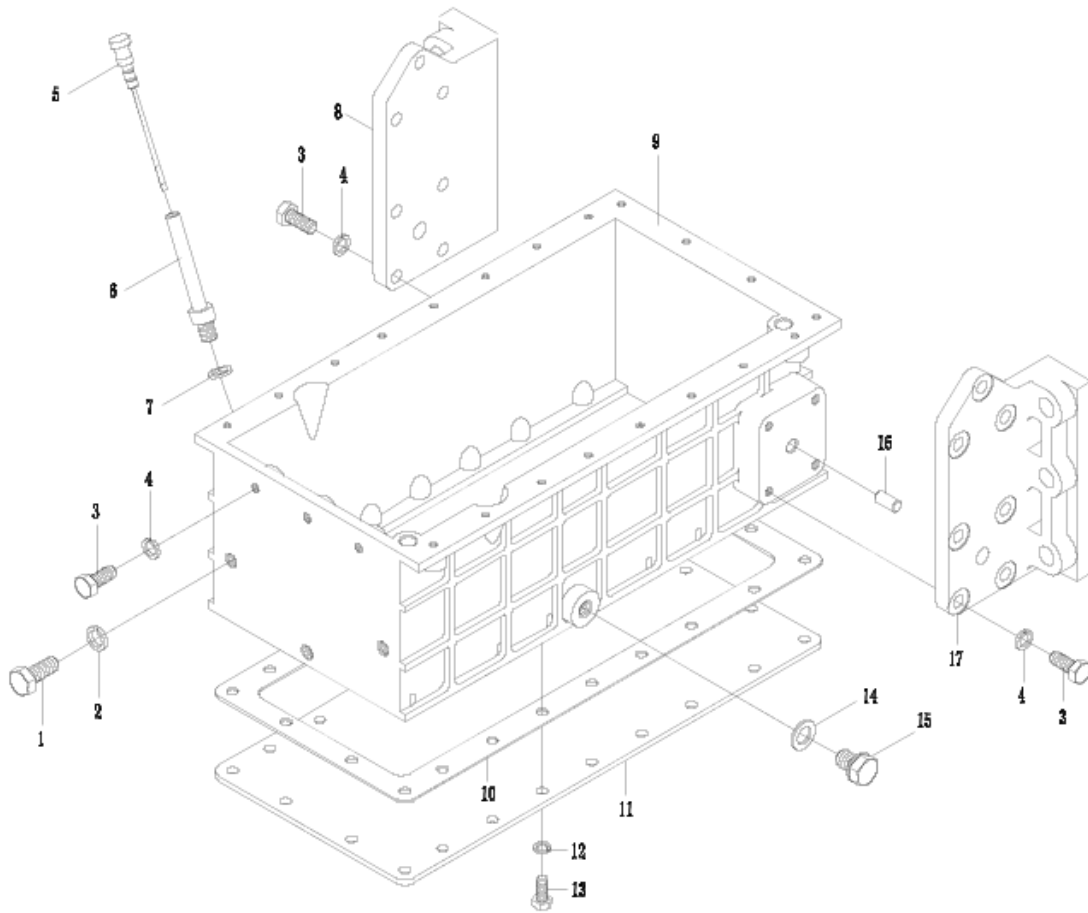
4L22TC-1A10-2



4L22TC-1A10-2

No.	Part No.	Description	Ver- sion	QTY.	Remark
1	4L22-01003	CYLINDER BUSH		4	
2	4L22-01005	CYLINDER COVER BOLT		8	
3	L375-01103	LOCATING SLEEVE		2	
4	4L22T-01002-2	CYLINDER COVER GASKET		1	
5	4L22-01005	CYLINDER COVER BOLT		2	
6	GB5783-M10X30	BOLT		11	
7	GB93-10	WASHER		18	
8	LL385BT-01018	FLYWHEEL HOUSING GASKET		1	
9	GB119-B10X20	PIN		2	
10	L375-01115	PLUG PIECE		2	
11	L375-01104	MAIN OIL LINE PLUG		1	
12	L375-01102	PLUG PIECE		1	
13	4I22BT-01017	OIL SUMP GASKET		1	
14	GB898-M8X22	STUD		20	
15	GB93-8	WASHER		30	
16	GB6170-M8	NUT		22	
17	GB898-M8X25	STUD		2	
18	GB5783-M10X25	BOLT		6	
19	ZBT32005.1-26	CIRCLE CLAMP		1	
20	LL380-01203-2	BREATHER PIPE		1	
21	4L22BT-01206	FIXING CLAMP		1	
22	GB5783-M10X25	BOLT		1	
23	4L22-01013	SIDE COVER II		1	
24	GB5783-M8X20	BOLT		3	
25	4L22B-01200	BREATHER HOUSING		1	
26	GB5783-M8X15	BOLT		3	
27	LL480B-01012H	SIDE COVER I		1	
28	LL480-01014	SIDE COVER SPACER		2	
29	4L22-01117	REAR BUSH OF CAMSHAFT		1	
30	4L22-01116	MIDDLE BUSH OF CAMSHAFT		1	
31	4L22-01115	FRONT BUSH OR CAMSHAFT		1	
32	GB119-C12X16	PIN		2	

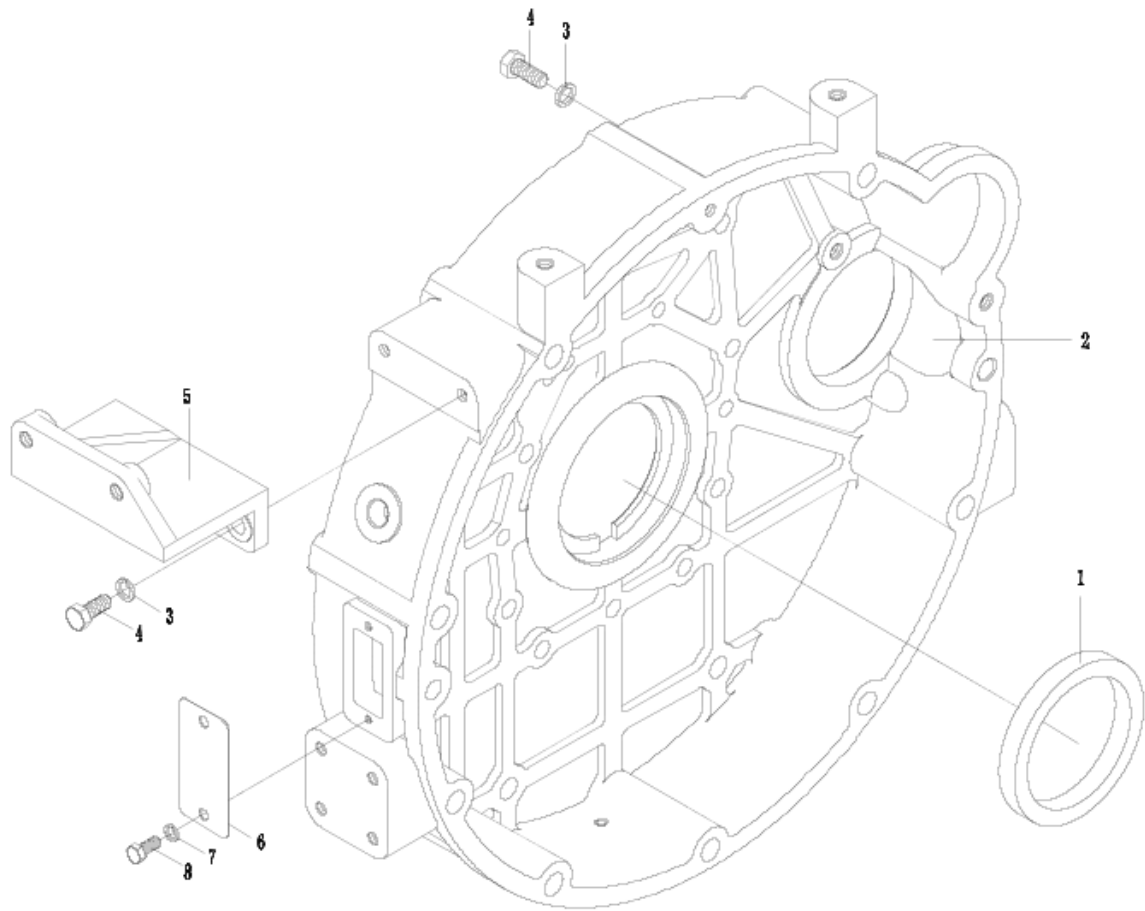
4L22TC-1A10-3



4L22TC-1A10-3

No.	Part No.	Description	Ver- sion	QTY.	Remark
1	GB5783-M12X25	STUD		3	
2	GB93-12	WASHER		3	
3	GB5783-M10X25	STUD		17	
4	GB93-10	WASHER		17	
5	LL385BT-01300	OIL DIPSTICK PARTS		1	
6	LL385BT-01320	OIL DIPSTICK PIPE WELDMENT		1	
7	195-13007	GASKET		1	
8	4L22BT-01016	LEFT BRACKET		1	
9	4L22BT-015101-4	OIL SUMP		1	
10	4L22BT-015111	OIL SUMP COVER GASKET		1	
11	4L22BT-015104	OIL SUMP COVER		1	
12	GB93-8	WASHER		22	
13	GB5783-M8X18	STUD		22	
14	LL380-01503	A TYPE COMBINED WASHER		1	
15	4L22BT-01501	OIL DISCHARGING SCREW PLUG		1	
16	GB119-B10X20	PIN		2	
17	4L22BT-01019	LEFT BRACKET		1	

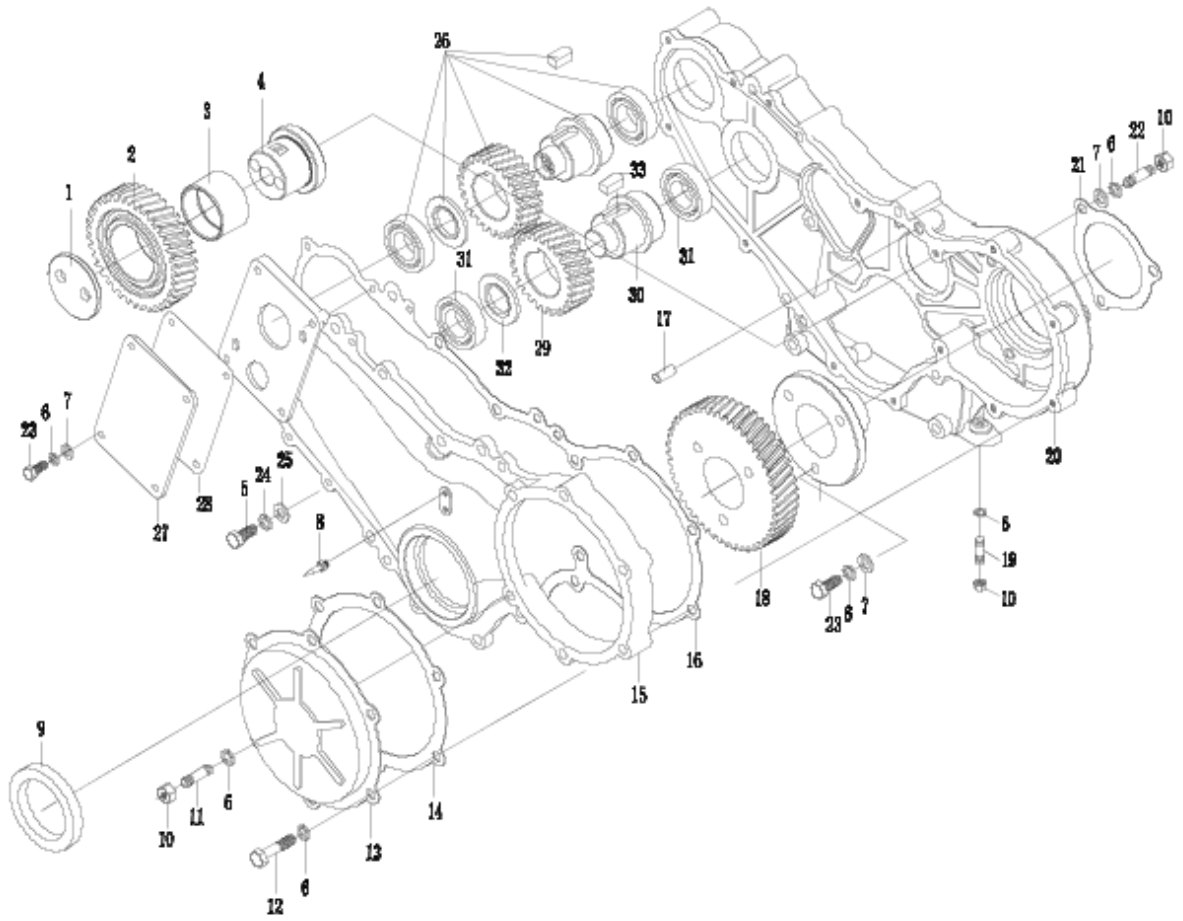
4L22TC-1A10-4



4L22TC-1A10-4

No.	Part No.	Description	Version	QTY.	Remark
1	DL80X100X12FJ	OIL SEAL		1	
2	LL385BT-01010	FLYWHEEL HOUSING		1	
3	GB93-10	WASHER		2	
4	GB5783-M10X30	BOLT		2	
5	4L22BT-01014	OIL FILTER BRACKET		1	
6	LL480-01025	COVER PLATE		1	
7	GB93-8	WASHER		2	
8	GB5783-M8X18	BOLT		2	

4L22TC-1A10-5



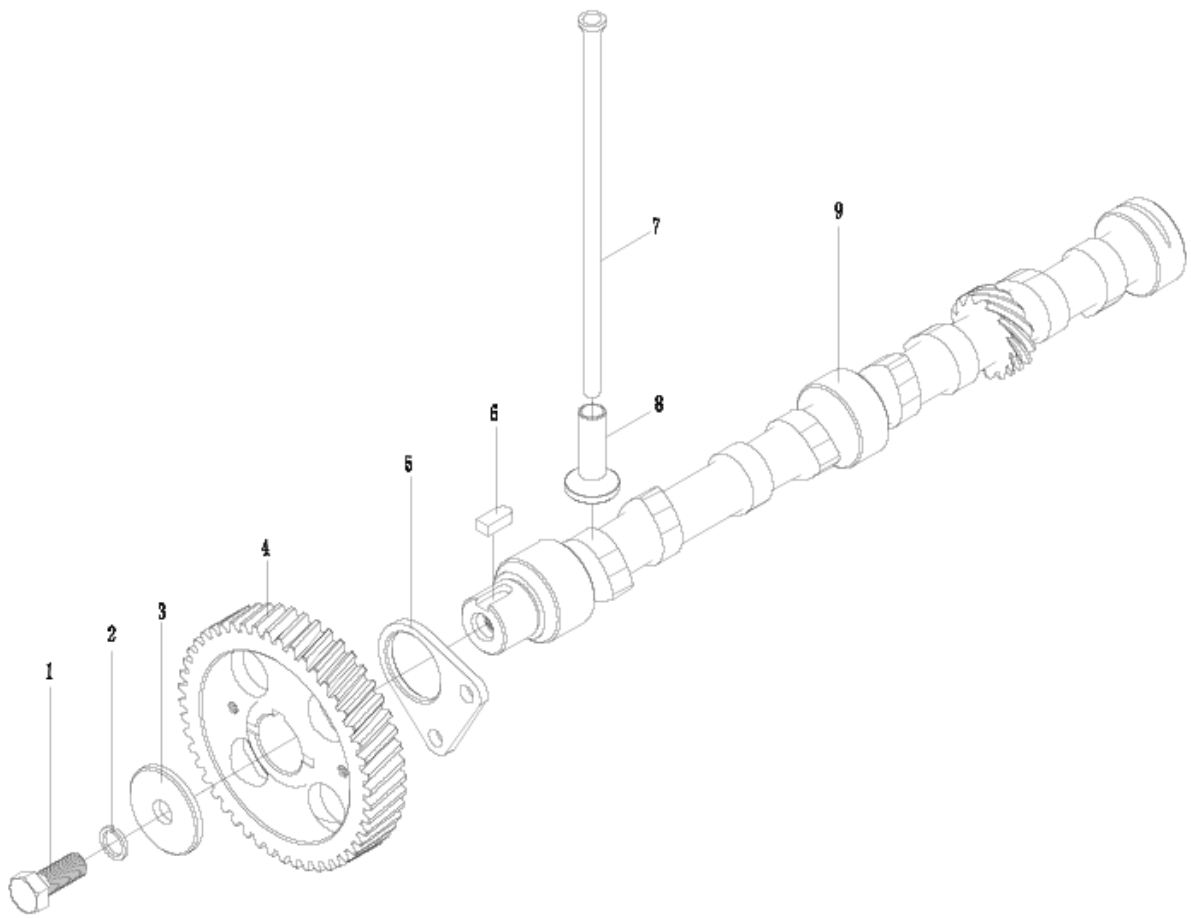
4L22TC-1A10-5

No.	Part No.	Description	Ver- sion	QTY.	Remark
1	4L22BT-01020	IDLE GEAR PRESSURE PLATE		1	
2	4L22BT-01200	IDLE GEAR BUSH WELDMENT		1	
3	4L22BT-01202	BUSHING OF IDLE GEAR		1	
4	4L22BT-01015	TIMING IDLE GEAR SHAFT		1	
5	GB5783-M10X20	BOLT		10	
6	GB93-8	WASHER		20	
7	GB97.1-8	WASHER		17	
8	KM385T-01034	UPPER DEATH POINT FINGER		1	
9	DR55X75X12FJ	OIL SEAL		1	
10	GB6170-M8	NUT		5	
11	GB898-M8X40	STUD		1	
12	GB5782-M8X40	BOLT		5	
13	4L22BT-01025	GEAR CASE FRONT COVER		1	
14	4L22BT-01030	GEAR CASE FRONT COVER GASKET		1	
15	4L22BT-01008L	TIMING GEAR CASE COVER		1	
16	4L22BT-01009	TIMING GEAR COVER GASKET		1	
17	GB119-B8X18	PIN		1	
18	4L22BT-01011	OIL INJECTION PUMP TIM- ING GEAR		1	
19	GB898-M8X16	STUD		4	
20	4L22BT-01007L	TIMING CASE		1	
21	4L22BZ-01010	OIL INJECTION PUMP GASKET		1	
22	GB898-M8X30	STUD		3	
23	GB5783-M8X20	BOLT		7	
24	GB93-10	WASHER		10	
25	GB97.1-10	WASHER		10	
26	4L22BT-01700L	HYDRAULIC TRANSMIS- SION PARTS		1	
27	TL4110-06027	COVER PLATE		1	
28	KM385T-01039-1	HYDRAULIC PUMP WASHER		1	
29	KM385T-01043	HYDRAULIC PUMP TRAN- SITION GEAR		1	

4L22TC-1A10-5 (cont'd.)

No.	Part No.	Description	Version	QTY.	Remark
30	KM385T-01041	HYDRAULIC PUMP TRANSITION SHAFT		1	
31	GBT297-6205	DEEP GROOVE BALL BEARING		3	
32	KM385T-01045	BEARING RETAINER RING		2	
33	GB1096-C8X20	FLAT KEY		2	

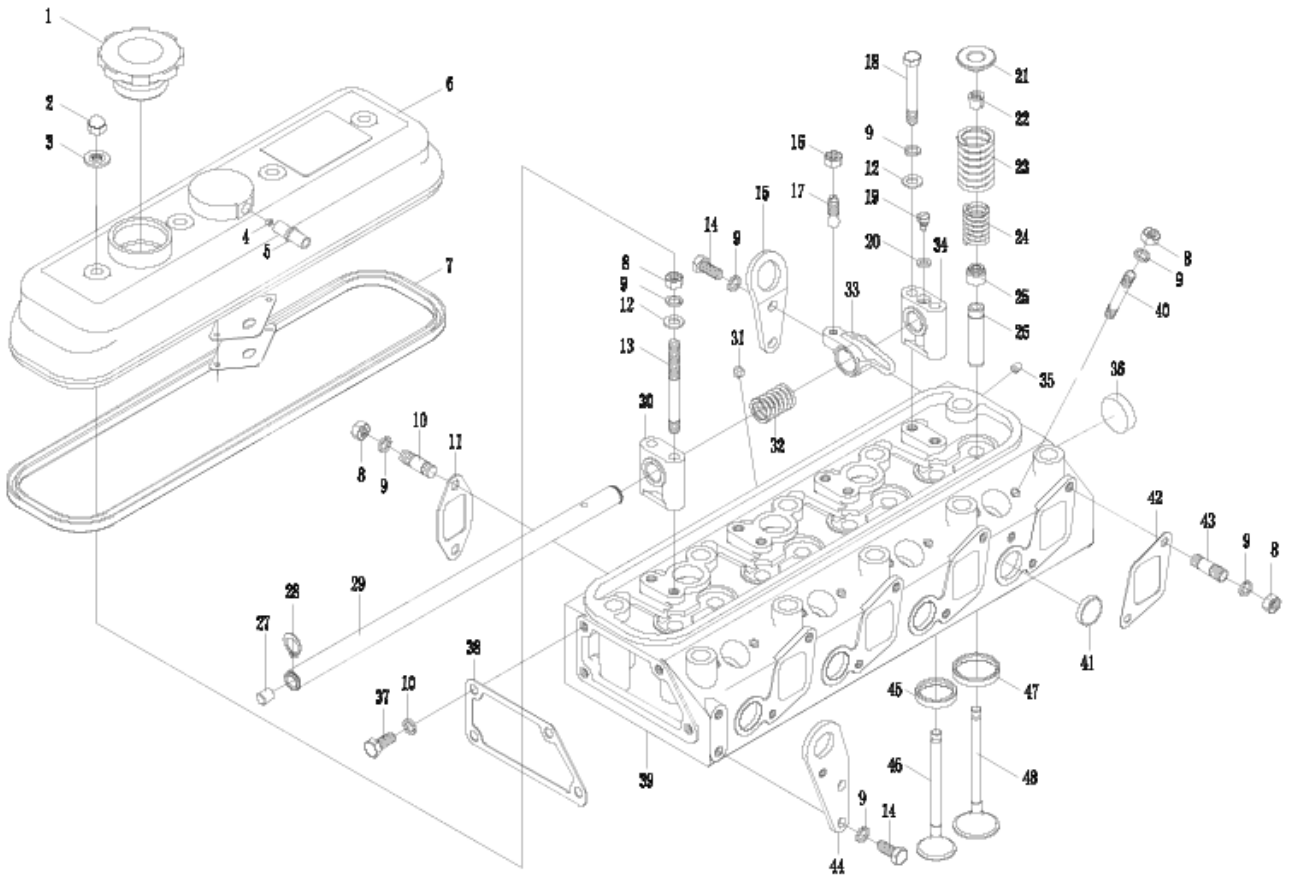
4L22TC-1A10-6



4L22TC-1A10-6

No.	Part No.	Description	Version	QTY.	Remark
1	GB5783-M12X35	BOLT		1	
2	GB93-12	WASHER		1	
3	L375-02004	CAMSHAFT GEAR CIRCLIP		1	
4	4L22BT-02011	CAMSHAFT TIMING GEAR		1	
5	L375-02002	CAMSHAFT THRUST PLATE		1	
6	GB1096-C8X18	KEY		1	
7	4L22-02003	PUSH ROD		8	
8	L375-02005	TAPPTE		8	
9	4L22-02001	CAM SHAFT		1	

4L22TC-1A10-7



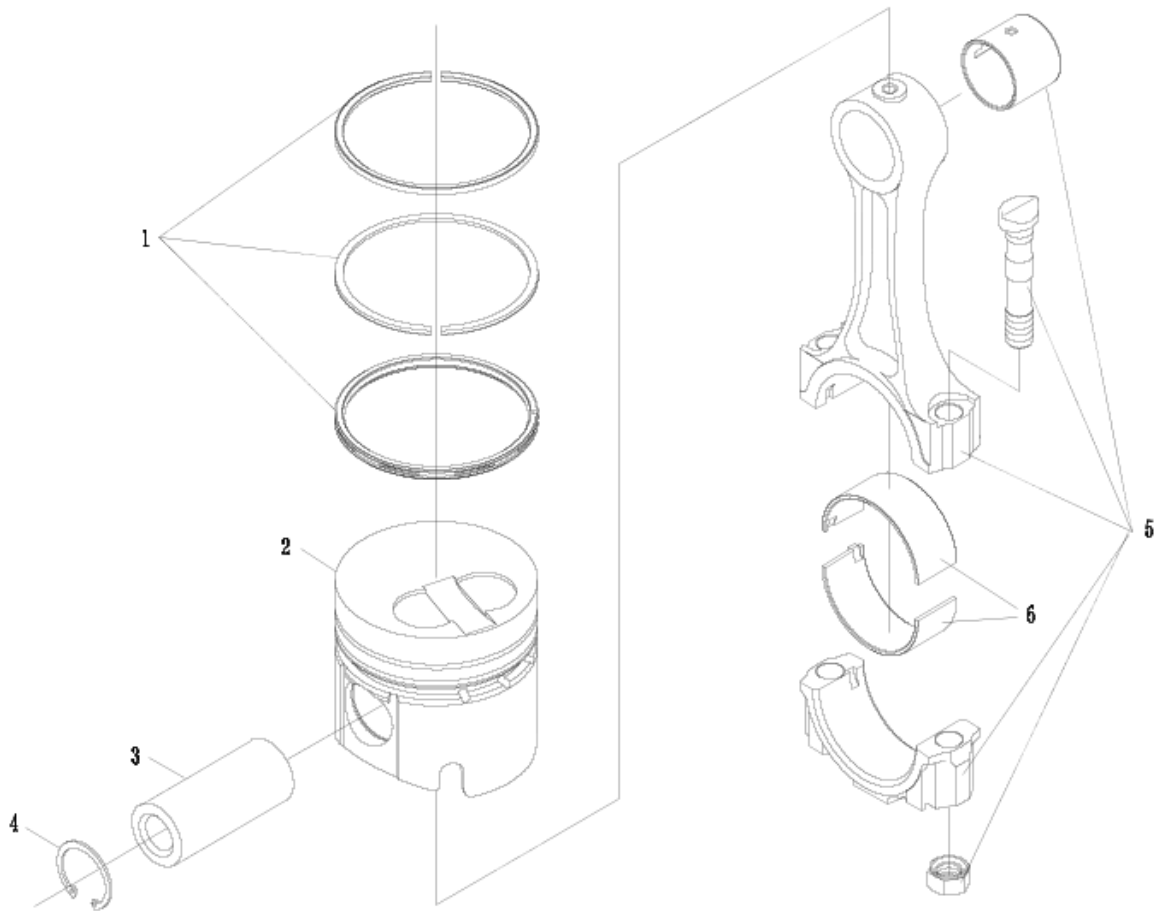
4L22TC-1A10-7

No.	Part No.	Description	Ver- sion	QTY.	Remark
1	L375-03005	FILLING CAP		1	
2	GB923-M8	CAP NUT		4	
3	L375-03017	ANTILEAK WASHER		4	
4	KM385T-03305	AIR OUTLET PIPE PLUG		1	
5	KM385T-03320	AIR OUTLET PIPE		1	
6	4L22T-03310	CYLINDER COVER		1	
7	4L22-03002	CYLINDER COVER GASKET		1	
8	GB6170-M8	NUT		28	
9	GB93-8	WASHER		44	
10	GB898-M8X30	STUD		8	
11	4L22-03006	EXHAUST PIPE GASKET		4	
12	GB97.1-8	WASHER		8	
13	LL480B-03001	ROCKER SEAT FASTENING BOLT		4	
14	GB5783-M8X20	BOLT		4	
15	L375-03012	REAR HANGING RING		1	
16	GB6171-M8X1	NUT		8	
17	LL480B-03201	VALVE CLEARANCE AD- JUSTING SCREW		8	
18	GB5782-M8X60	BOLT		4	
19	L375-03206	ROCKER SHAFT LOCATING SCREW		1	
20	GB848-6	WASHER		1	
21	4L22BT-03009	VALVE SPRING UPPER SEAT		8	
22	LL480B-03008	VALVE COLLET		16	
23	4L22-03015	VALVE OUTER SPRING		8	
24	4L22-03007	VALVE INNER SPRING		8	
25	LL480B-03019	VALVE OIL SEAL		8	
26	KM485QB-03102	VALVE GUIDE PIPE		8	
27	L375-01115	PLUG PIECE		2	
28	GB894.1-16	RETAINER RING		2	
29	4L22-03205	ROCKER SHAFT		1	
30	L375-03202	ROCKER SHAFT SUPPORT SEAT		3	
31	L375-03107	PLUG PIECE		4	

4L22TC-1A10-7 (cont'd.)

No.	Part No.	Description	Version	QTY.	Remark
32	L375-03204	ROCKER SHAFT SPRING		3	
33	4L22-03220	AIR INLET VALVE ROCKER UNIT		4	
34	L375-03207	ROCKER SHAFT REAR SEAT		1	
35	D495QB-03110	OIL WAY PLUG		1	
36	D495QB-01024	PLUG PIECE		1	
37	GB5783-M8X25	BOLT		4	
38	L375-03010	THERMOSTAT HOUSING GASKET		1	
39	4L22T-03100	CYLINDER COVER		1	
40	GB898-M8X60	STUD		8	
41	L375-03106	PLUG PIECE		4	
42	4L22-03013	AIR INLET PIPE GASKET		4	
43	GB898-M8X25	STUD		8	
44	LL480-03010	FRONT HOISTING RING		1	
45	4L22-03104	EXHAUST VALVE SEAT		4	
46	4L22-03004	EXHAUST VALVE		4	
47	4L22-03103	AIR INLET VALVE SEAT		4	
48	4L22-03005	AIR INLET VALVE		4	

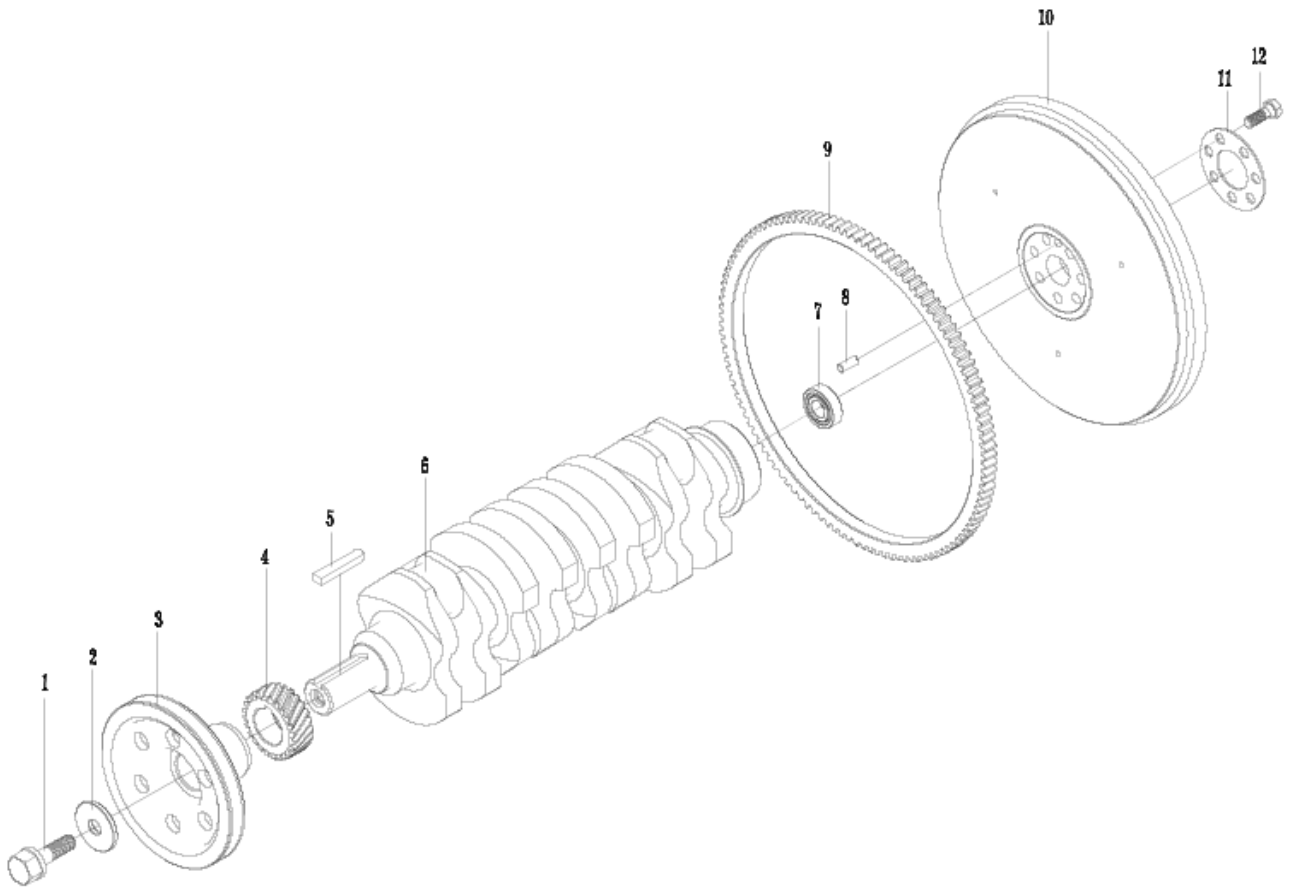
4L22TC-1A10-8



4L22TC-1A10-8

No.	Part No.	Description	Version	QTY.	Remark
1	4L22T-04010	PISTON RING ASSEMBLY		1	
2	4L22-04005	PISTON		1	
3	4L22-04004	PISTON PIN		1	
4	4L22-04006	CIRCLIP		2	
5	4L22-04200	CONNECTING ROD ASSEMBLY		1	
6	4L22-04003	CONNECTING ROD BEARING		2	

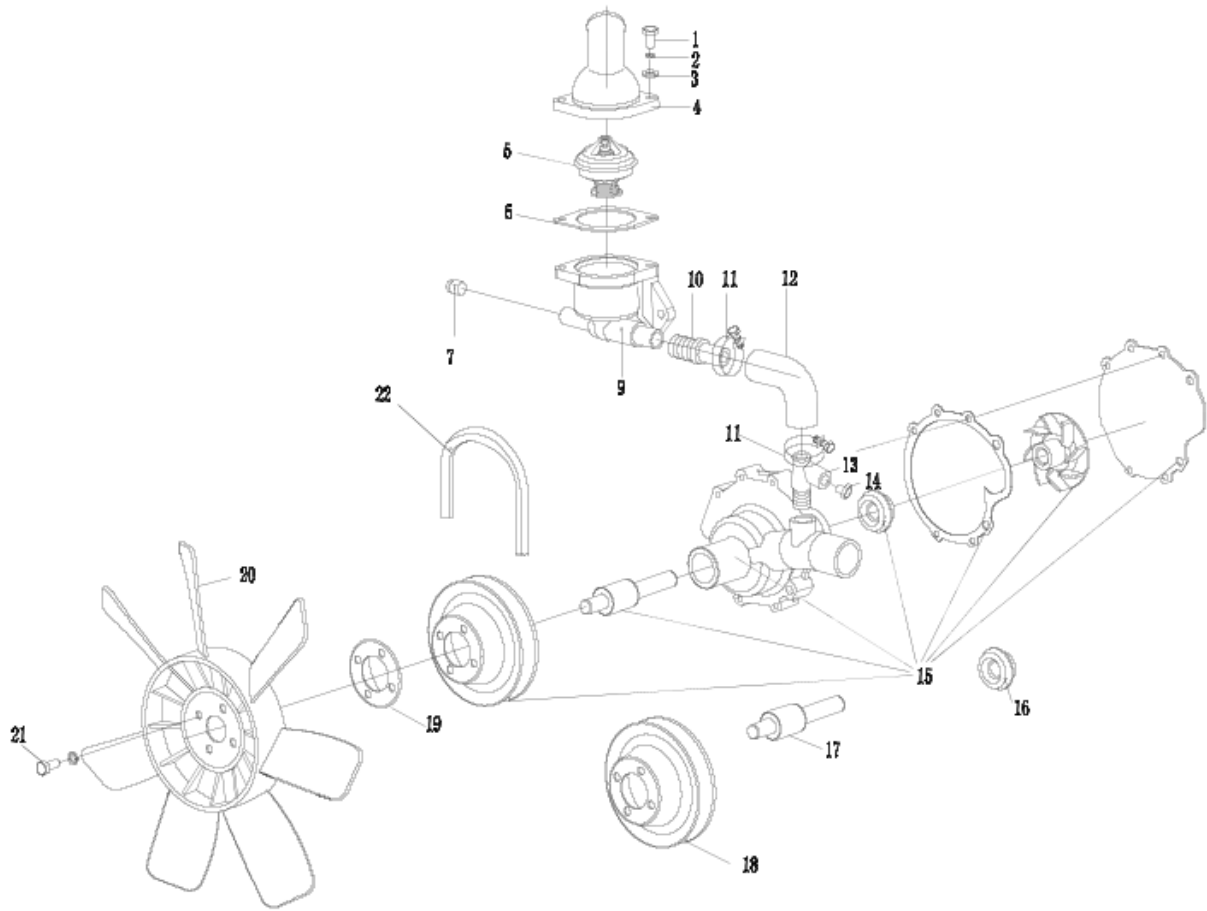
4L22TC-1A10-9



4L22TC-1A10-9

No.	Part No.	Description	Version	QTY.	Remark
1	L375-05006	STARTING CLAW		1	
2	L375-05005	STARTING CLAW MAT PLATE		1	
3	4L22BT-05005-4	CRANKSHAFT BELT PULLEY		1	
4	KM385T-05007	CRANKSHAFT TIMING GEAR		1	
5	GB1096-C10X63	KEY		1	
6	4L22-05003	CRANK SHAFT		1	
7	GBT276-6203-2RS	single-row radial thrust ball bearing		1	
8	GB119-B8X20	PIN		1	
9	LL480-05102	FLYWHEEL GEAR RING		1	
10	4L22BT-05101-4	FLY WHEEL		1	
11	4L22-05002	FLYWHEEL BOLT BACK- ING PLATE		1	
12	4L22BT-05001-2	FLYWHEEL BOLT		7	

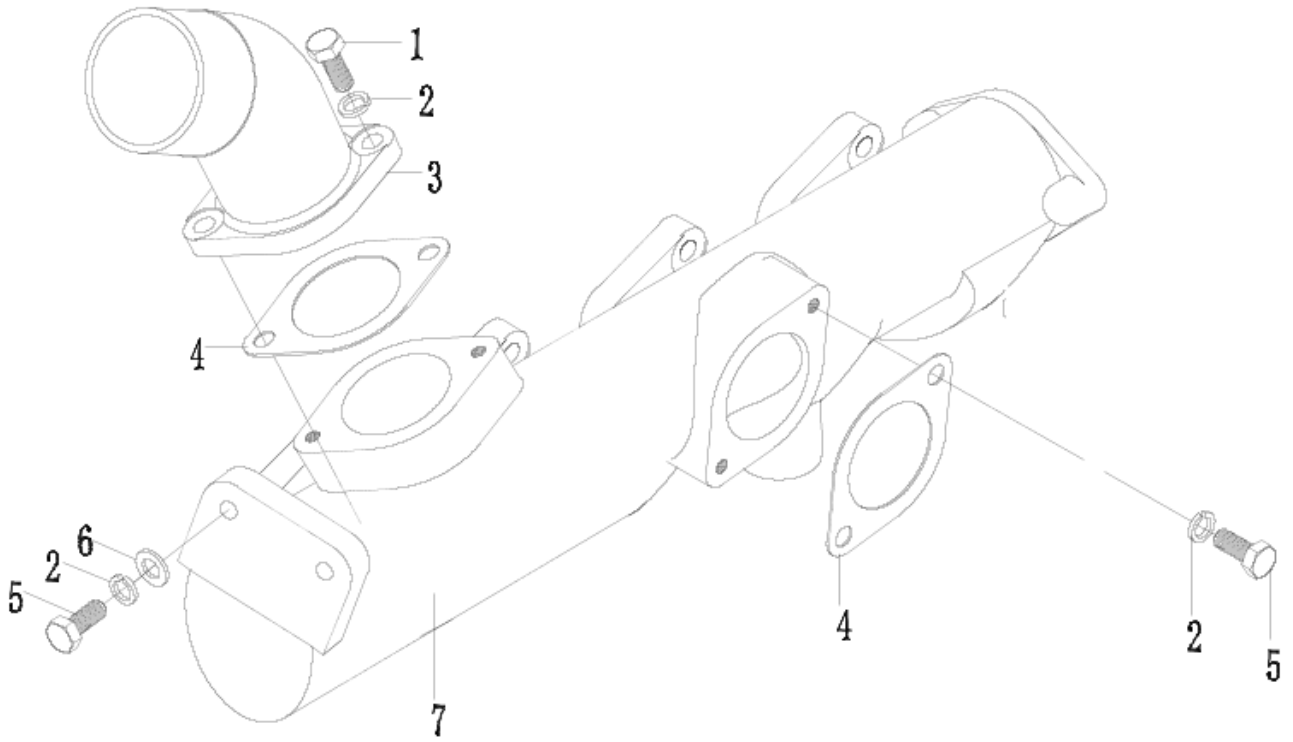
4L22TC-1A10-10



4L22TC-1A10-10

No.	Part No.	Description	Version	QTY.	Remark
1	GB5783-M6X22	BOLT		4	
2	GB93-6	WASHER		4	
3	GB848-6	WASHER		4	
4	4L22BT-06201-2	THERMOSTAT COVER		1	
5	L375-06203	THE RMOSTAT		1	
6	L375-06202	THERMOSTAT COVER GASKET		1	
7	LL480-06300	SCREW PLUG		1	
9	L375-06204	THERMOSTAT HOUSING		1	
10	LL380-06001	SMALL CIRCULATING PIPE		1	
11	ZBT32005.1-26	CLAMP		2	
12	L375-06001	WATER PUMP HOSE		1	
13	4L22-06110	TEE PIPE		1	
14	L375Y3-14-06111	SCREW PLUG		1	
15	4L22BT-06100-2C	WATER PUMP ASSEMBLY		1	
16	4L22-06112	WATER SEAL		1	
17	LL480-06106	WATER PUMP SHAFT CON- NECTING BEARING		1	
18	4L22BT-06102	WATER PUMP BELT PULLEY		1	
19	KM385T-06112S	FAN GASKET		1	
20	4D30YB-24-06400	FAN PARTS		1	
21	GB5780-M8X95	BOLT		4	
22	GBT12732-AV13X1125-c	BELT		1	

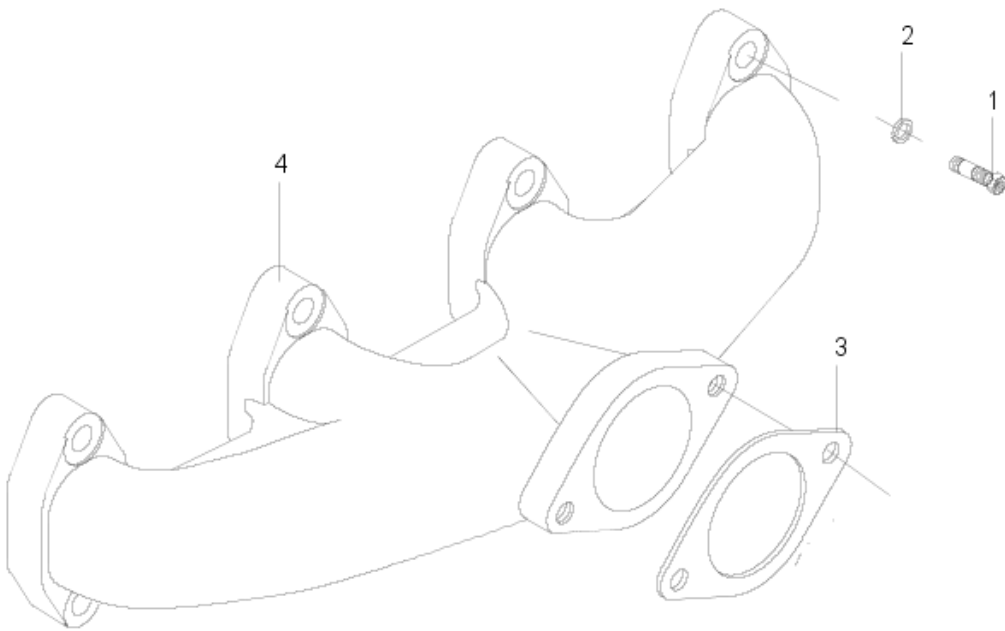
4L22TC-1A10-11



4L22TC-1A10-11

No.	Part No.	Description	Version	QTY.	Remark
1	GB5783-M8X25	BOLT		2	
2	GB93-8	WASHER		6	
3	4L22BT-07004-1	AIR INLET PIPE JOINT		1	
4	L375Y3-07003	AIR INLET PIPE END COVER GASKET		2	
5	GB5783-M8X16	BOLT		4	
6	GB97.1-8	WASHER		2	
7	4L22T-07001-1	AIR INLET PIPE		1	

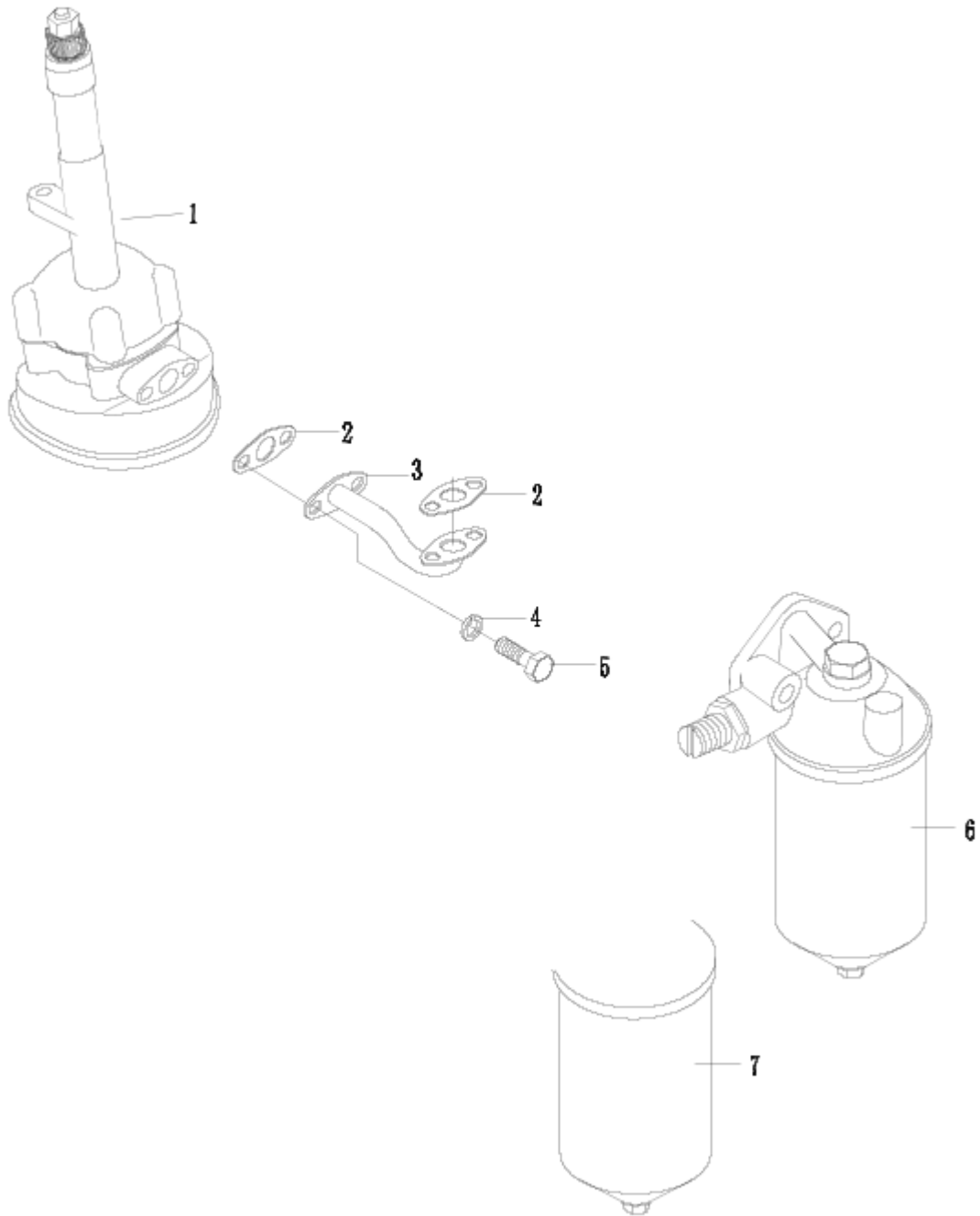
4L22TC-1A10-12



4L22TC-1A10-12

No.	Part No.	Description	Version	QTY.	Remark
1	GB5783-M10X25	BOLT		4	
2	GB93-10	WASHER		4	
3	KM385T-08002	EXHAUST PIPE GASKET		1	
4	4L22BT-08001-3	EXHAUST PIPE		1	

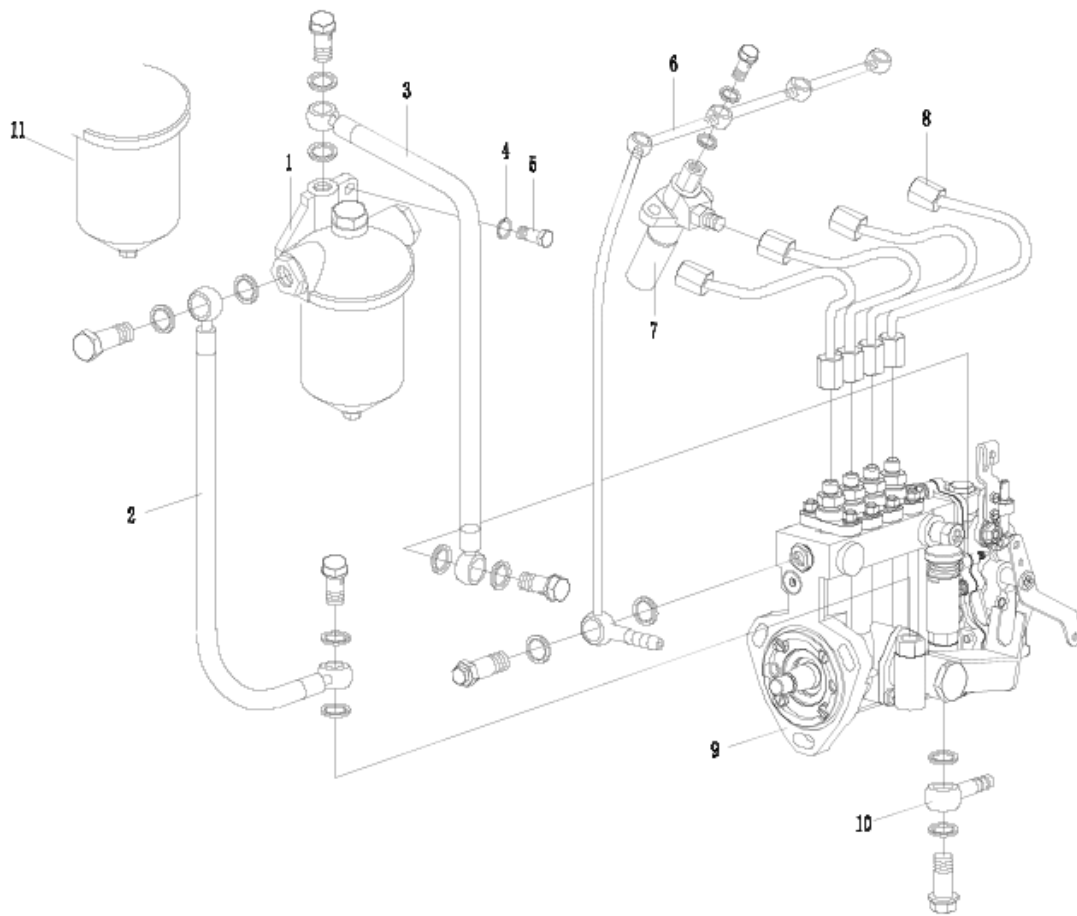
4L22TC-1A10-13



4L22TC-1A10-13

No.	Part No.	Description	Version	QTY.	Remark
1	4L22BZ-09100-4	LUBRICATING OIL PUMP ASSEMBLY		1	
2	4L22-09001	OIL OUTLET PIPE FLANGE GASKET		2	
3	4L22BZ-09200-1	OIL PIPELINE UNIT		1	
4	GB93-8	WASHER		4	
5	GB5783-M8X20	BOLT		4	
6	KM385T-09300C	OIL FILTER PARTS		1	
7	KM385T-09305C	OIL FILTER ELEMENT		1	

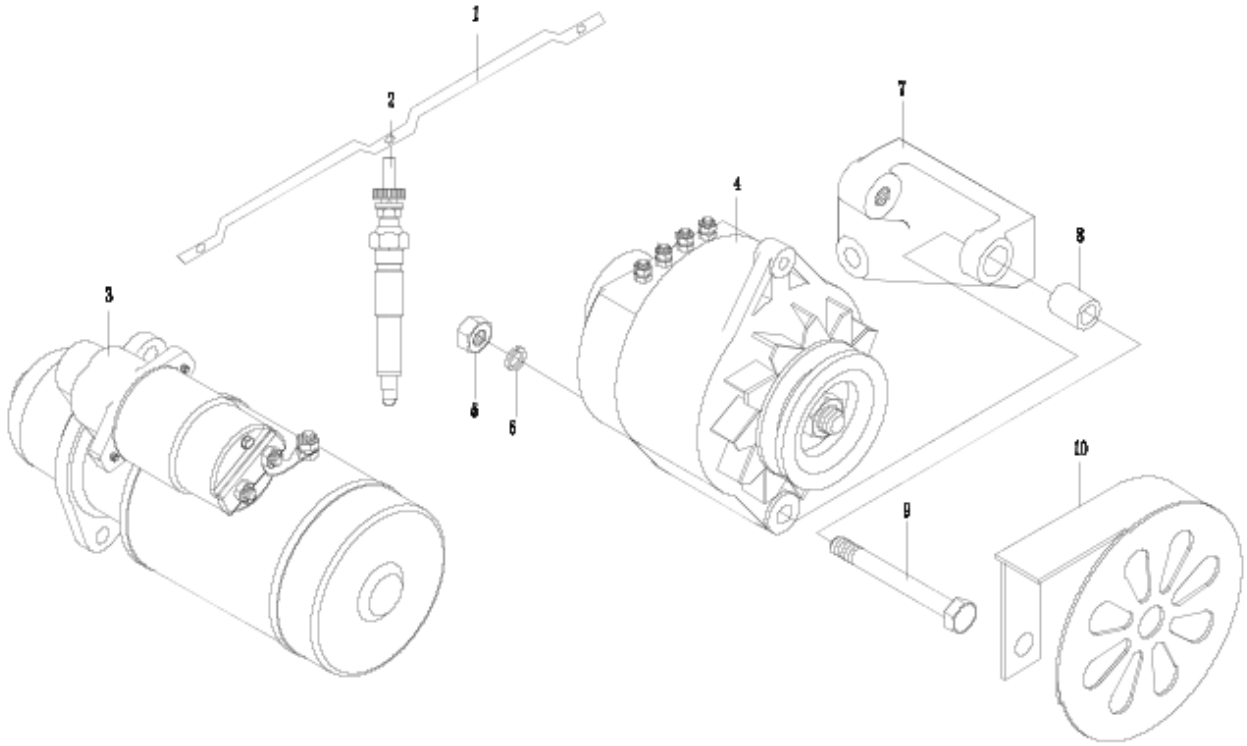
4L22TC-1A10-14



4L22TC-1A10-14

No.	Part No.	Description	Version	QTY.	Remark
1	L375-10500-1C	FUEL FILTER PARTS		1	
2	L375-10700-1	PIPE FROM OIL CONVEY- ING PUMP TO FUEL OIL FILTER		1	
3	L375-10600	OIL PIPE FROM FILTER TO INJECTION PUMP PIPE		1	
4	GB93.1-10	WASHER		1	
5	GB5783-M10X30	BOLT		1	
6	4L22BT-10400-5	OIL RETURN PIPE PARTS		1	
7	KM385TA-10300	OIL INJECTOR ASSEMBLY		4	
8	4L22-10200	HIGH PRESSURE OIL PIPE PARTS		1	
9	4L22T-10100-4Q213BW-1	OIL INJECTION PUMP ASSEMBLY		1	
10	L375-10601	PIPE JOINT		1	
11	KM385T-10501	FUEL FILTER ELEMENT		1	

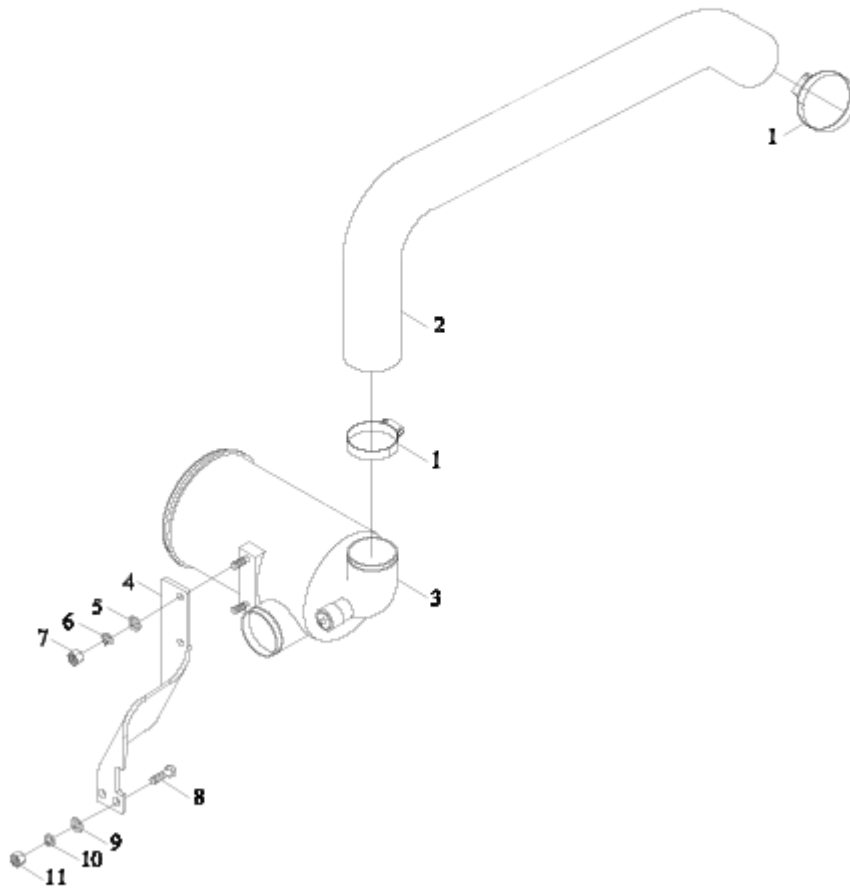
4L22TC-1A10-15



4L22TC-1A10-15

No.	Part No.	Description	Ver- sion	QTY.	Remark
1	LL480-12002	CURRENT-CARRYING PLATE		1	
2	L375-12200-1	HEAT PLUG		4	
3	4L22BT-12300J-1C	MOTOR STARTER		1	
4	L480Q-12100J-1C	GENERATOR		1	
5	GB6170-M10	NUT		1	
6	GBT93-10	SPRING WASHER		1	
7	4L22BT-01028	GENERATOR FASTEN BRACKET		1	
8	L375-01031	GENERATOR BRACKET BUSH		1	
9	GBT5782-M10X100	BOLT		1	
10	4L22BT-12110-2A	GENERATOR BONNET WELDMENT		1	

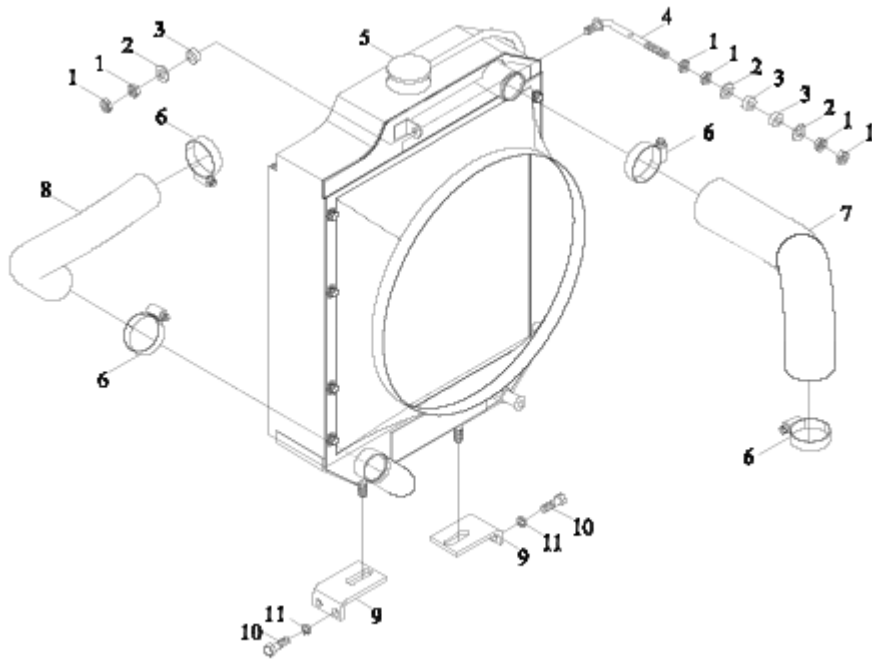
TE354. 11



TE354. 11

No.	Part No.	Description	Version	QTY.	Remark
1	Q67676	B-TYPE WORM TRANSMISSION HOSE CLAMP		2	
2	TE354.11-01	AIR INLET HOSE		1	
3	TE250.11F.1	AIR FILTER ASSEMBLY		1	
4	TE320.11B-02	AIR FILTER INSTALLATION PLATE		1	
5	GBT97.1-8-A0P	FLAT WASHER		2	
6	GBT93-8-A0P	STANDARD SPRING WASHER		2	
7	GBT6170-M8-8-A2L	HEXAGON NUT, TYPE-1		2	
8	GBT5783-M10X30-8.8-A3L	HEXAGON BOLT		2	
9	GBT97.1-10-A0P	FLAT WASHER		2	
10	GBT93-10-A0P	STANDARD SPRING WASHER		2	
11	GBT6170-M10-8-A3L	HEXAGON NUT, TYPE-1		2	

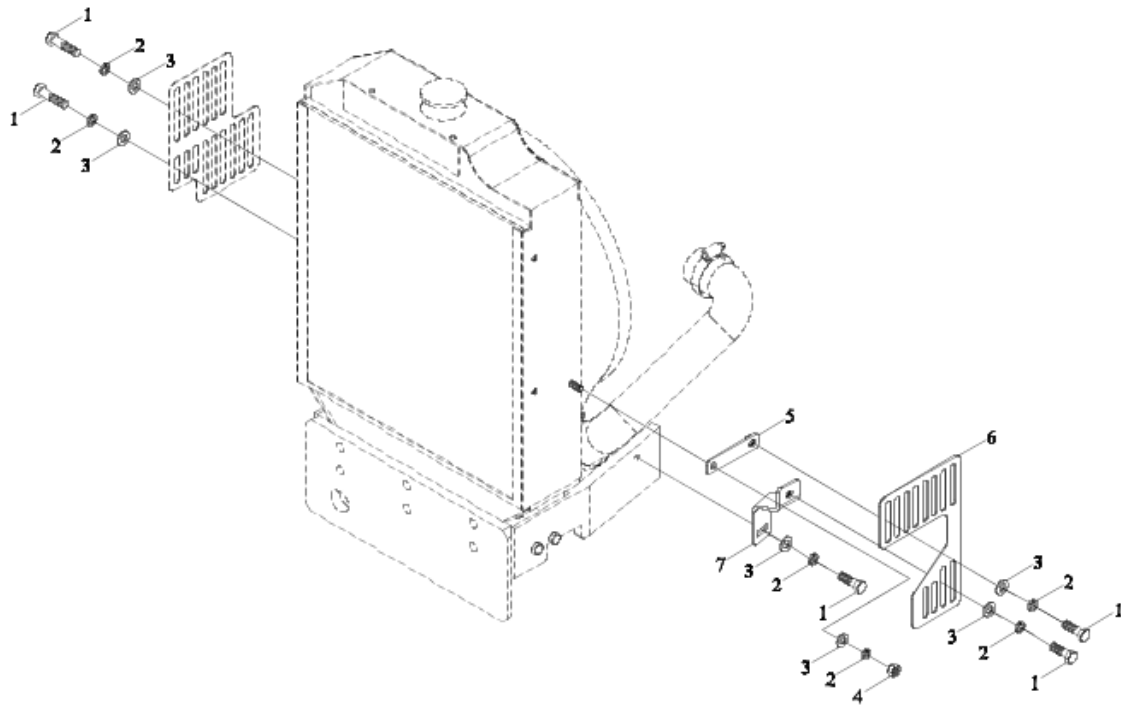
TE354. 13



TE354. 13

No.	Part No.	Description	Version	QTY.	Remark
1	GBT6172.1-M8-04-A2L	HEXAGON THIN NUT		6	
2	GBT97.1-8-A0P	FLAT WASHER		3	
3	FT650.13.135	RUBBER PAD		3	
4	TE354.13.2	RADIATOR PULL ROD WELDMENT		1	
5	TE354.13.1	RADIATOR ASSEMBLY		1	
6	Q67657	B-TYPE WORM TRANSMIS- SION HOSE CLAMP		4	
7	TE354.13-01	WATER TANK INLET HOSE		1	
8	TE250.13-05	WATER TANK OUTLET HOSE		1	
9	TE250.13B.2	RADIATOR BRACKET WELDMENT		2	
10	GBT5783-M8X35-8.8-A2L	HEXAGON BOLT		4	
11	GBT93-8-A0P	STANDARD SPRING WASHER		4	

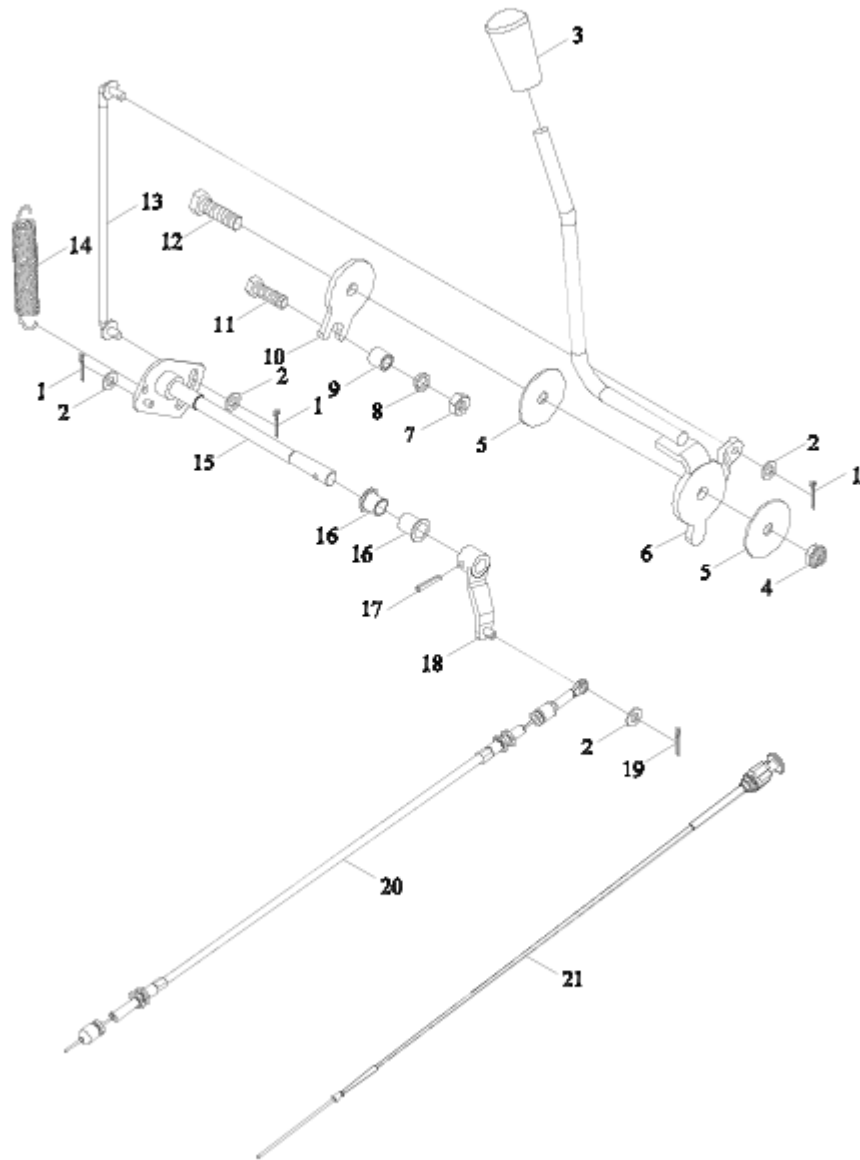
TC02133010000K



TC02133010000K

No.	Part No.	Description	Version	QTY.	Remark
	TC02133010000K	WATER GUARD NET INSTALLATION ASSEMBLY		1	
1	GBT5783-M8X20-8.8-A2L	HEXAGON BOLT		3	
2	GBT93-8-A0P	STANDARD SPRING WASHER		4	
3	GBT97.1-8-A0P	FLAT WASHER		4	
4	GBT6170-M8-8-A2L	HEXAGON NUT, TYPE-1		1	
5	TE254.133.2	WATER GUARD NET WELDMENT		1	
6	TE254.133-02	RIGHT GUARD PLATE		1	
7	TE254.133.1	WATER GUARD NET WELDMENT		1	

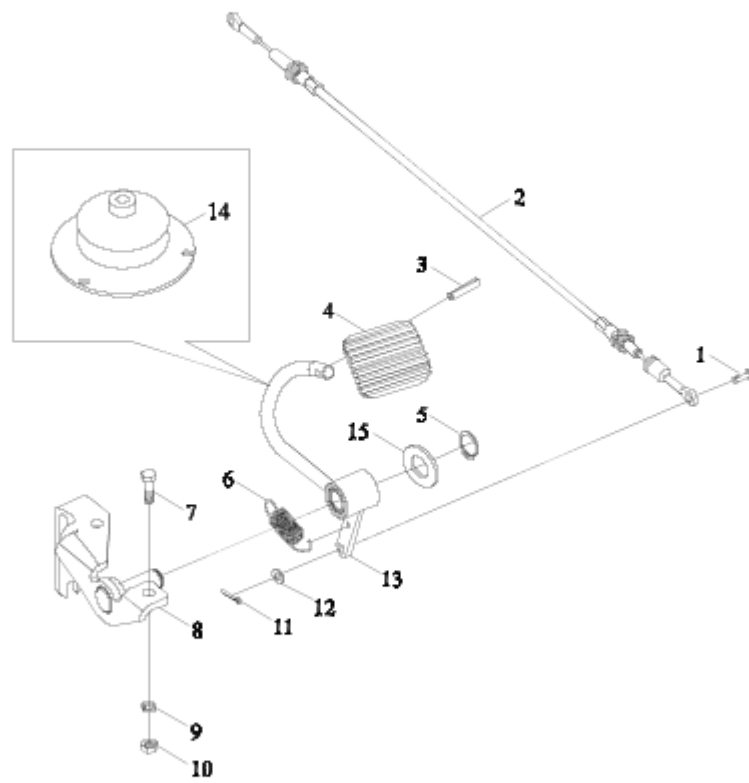
TE354. 201



TE354. 201

No.	Part No.	Description	Ver- sion	QTY.	Remark
1	GBT91-2X10-A0P	SPLIT PIN		3	
2	GBT97.1-6-A0P	FLAT WASHER		4	
3	LA754.201-01	HANDLE		1	
4	GBT1337-M10	HEXAGON SELF-LOCKING NUT		1	
5	LA754.201-03	FRICITION PLATE		2	
6	TE254.201A.2	ROCKER WELDMENT		1	
7	GBT6170-M8-8-A2L	HEXAGON NUT, TYPE-1		1	
8	GBT93-8-A0P	STANDARD SPRING WASHER		1	
9	LA754.201-04	LIMITING SLEEVE		1	
10	LA754.201-02	LIMIT PLATE		1	
11	GBT5783-M8X35-8.8-A2L	HEXAGON BOLT		1	
12	GBT5783-M10X40-8.8-A3L	HEXAGON BOLT		1	
13	TE254.201A.1a	PULL ROD WELDMENT		1	
14	GBT2088-LIIIB-2X16X112	COLUMN SPIRE TENSION SPRING		1	
15	LA754.201.3	ROTARY ARM WELDMENT		1	
16	LA754.201-05	NYLON BUSH		2	
17	GBT879.1-5X20	SPRING COLUMN PIN		1	
18	LA754.201.4	WIRE ROCKER WELDMENT		1	
19	GBT91-2X12-A0P	SPLIT PIN		1	
20	TE354.201-01	ENGINE THROTTLE WIRE		1	
21	FT300.20.018	EXTINGUISH WIRE ASSEMBLY		1	

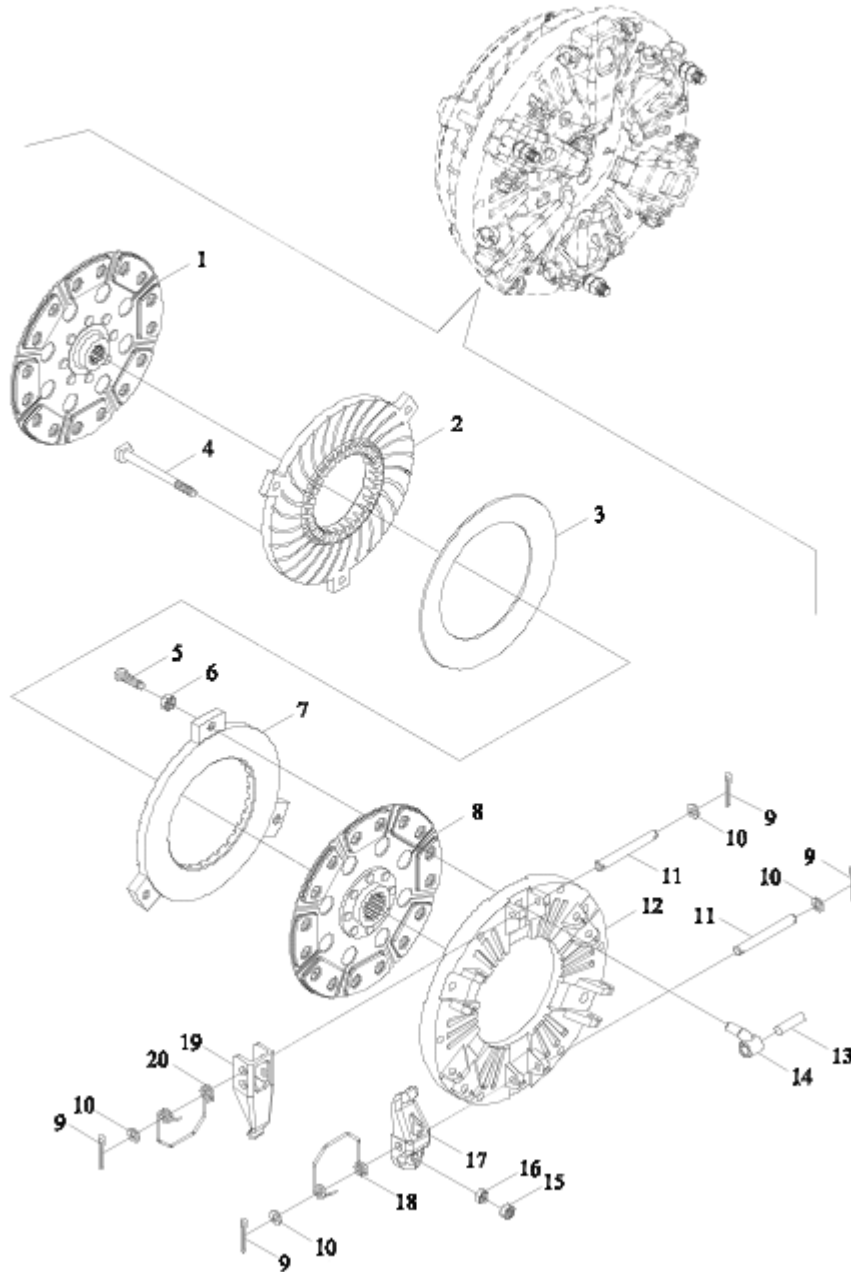
TE354. 202



TE354. 202

No.	Part No.	Description	Ver- sion	QTY.	Remark
1	GBT882-B6X16	PIN SHAFT		1	
2	TE354.202-01	FOOT THROTTLE WIRE ASSEMBLY		1	
3	GBT5783-M5X16-8.8-A2L	SPRING COLUMN PIN		1	
4	TE254.202A-01	FOOT PEDAL		1	
5	GBT894.1-13	CIRCLIP FOR SHAFT		1	
6	TE254.202A-03	FOOT THROTTLE RETURN SPRING		1	
7	GBT5783-M8X20-8.8-A2L	HEXAGON BOLT		2	
8	TE254.202A.1	FIXING BRACKET WELDMENT		1	
9	GBT93-8-A0P	STANDARD SPRING WASHER		2	
10	GBT6170-M8-8-A2L	HEXAGON NUT, TYPE-1		2	
11	GBT91-2X12-A0P	SPLIT PIN		1	
12	GBT97.1-6-A0P	FLAT WASHER		1	
13	TE254.202A.2	ROCKER WELDMENT		1	
14	FT65.45.393	THROTTLE PEDAL SEAL SLEEVE		1	
15	GBT97.1-14-A0P	FLAT WASHER		1	

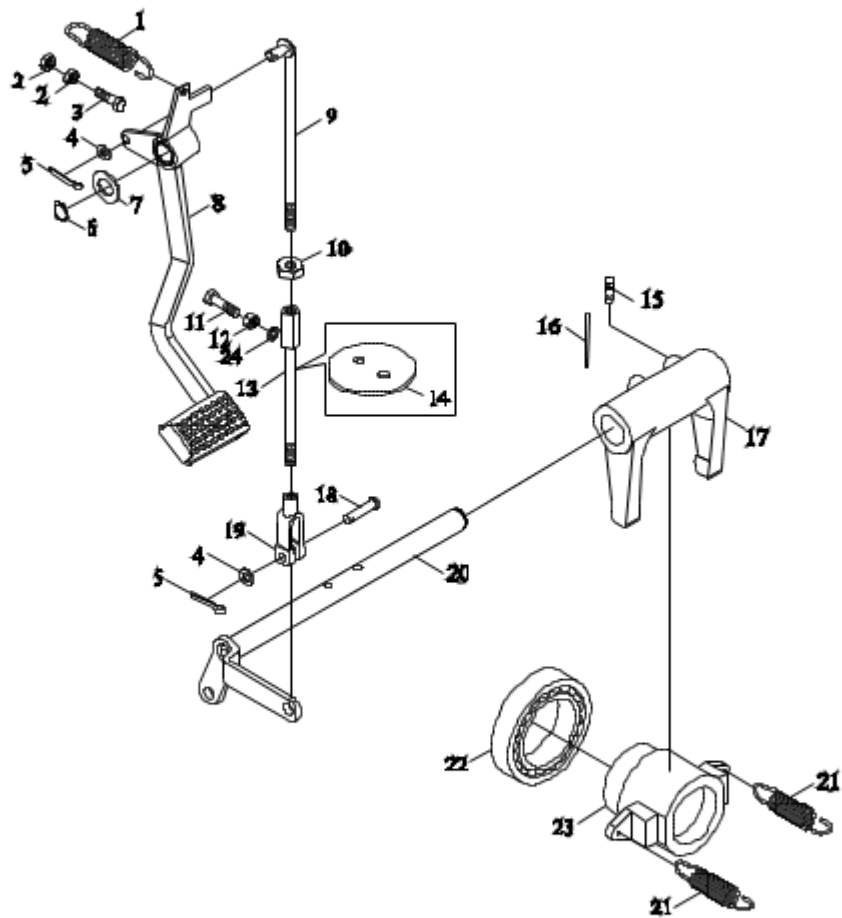
TE300. 211D



TE300. 211D

No.	Part No.	Description	Version	QTY.	Remark
1	TE300.211D.2	AUXILIARY CLUTCH FRICTION PLATE ASSEMBLY		1	
2	FT300.21B.102	AUXILIARY CLUTCH PRESSURE PLATE		1	
3	FT350.21B.103	BUTTERFLY SPRING		1	
4	FT300.21B.104	AUXILIARY CLUTCH PULL ROD		3	
5	FT300.21B.114	MAIN CLUTCH ADJUSTING SCREW		3	
6	GBT6171-M10X1-8-A2L	NUT		3	
7	FT300.21B.113	MAIN CLUTCH PRESSURE PLATE		1	
8	TE300.211D.1	MAIN CLUTCH FRICTION PLATE ASSEMBLY		1	
9	GBT91-3.2X20-A0P	SPLIT PIN		12	
10	GBT848-10-A0P	WASHER		12	
11	FT300.21B.111	LONG PIN		6	
12	FT300.21B.112	CLUTCH COVER		1	
13	FT300.21B.109	PIN SHAFT		3	
14	FT300.21B.110	TOP ROD		3	
15	GBT6171-M8X1-8-A2L	NUT		3	
16	FT300.21B.105	BALL NUT		3	
17	FT300.21B.106	AUXILIARY CLUTCH RELEASE LEVER		3	
18	FT300.21B.120	AUXILIARY RELEASE LEVER SPRING		3	
19	FT300.21B.107	MAIN CLUTCH RELEASE LEVER		3	
20	FT300.21B.108	MAIN RELEASE LEVER SPRING		3	

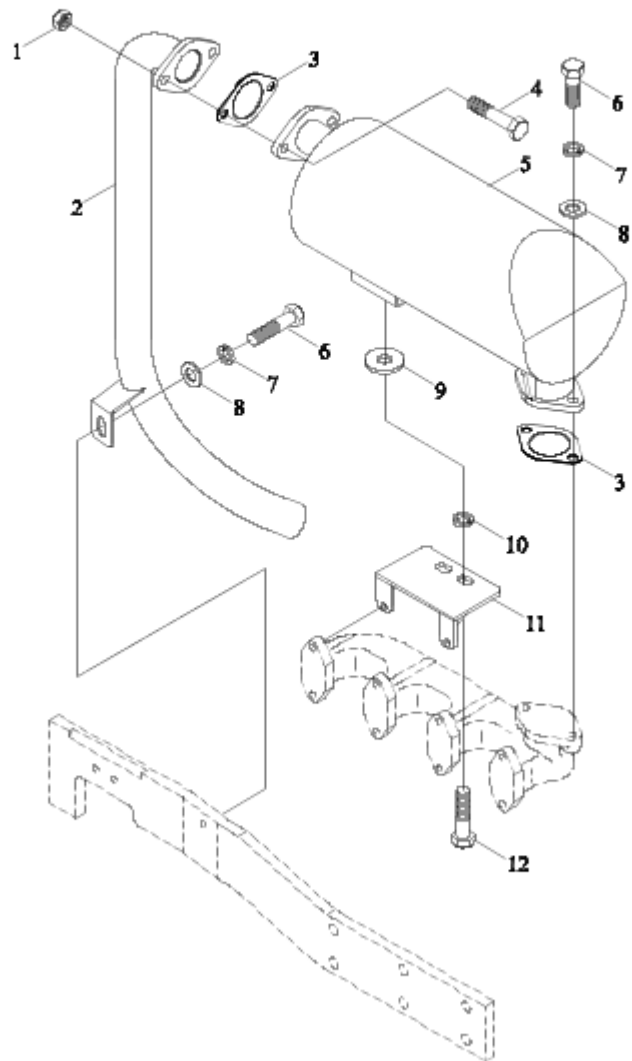
TE354. 212



TE354. 212

No.	Part No.	Description	Version	QTY.	Remark
1	TE250.212D-05	CLUTCH PEDAL RETURN SPRING		1	
2	GBT6172.1-M10-A3L	HEXAGON THIN NUT		2	
3	GBT5781-M10X40-A3L	HEXAGON BOLT		1	
4	GBT97.1-10-A0P	FLAT WASHER		2	
5	GBT91-3.2X22-A0P	SPLIT PIN		2	
6	GBT894.1-25	CIRCLIP FOR SHAFT		1	
7	GBT97.1-24-A0P	FLAT WASHER		1	
8	TE250.212D.1	CLUTCH PEDAL ROCKER UNIT		1	
9	TE250.212D.3	RELEASE UPPER TIE ROD WELD		1	
10	GBT6171-M101-A2L	HEXAGON NUT, TYPE-1		1	
11	GBT5781-M10X50-A3L	HEXAGON BOLT		1	
12	GBT6170-M10-A3L	HEXAGON NUT, TYPE-1		1	
13	TE250.212D.4	RELEASE LOWER TIE ROD WELD		1	
14	TE250.212D-04a	RUBBER SEALING PLATE		1	
15	FT65.37.109	THRUST SCREW		2	
16	TE250.212-05	LOW CARBON STEEL WIRE		2	
17	FT200.21.107	CLUTCH FORK		1	
18	GBT882-B10X30-A0P	PIN SHAFT		2	
19	FT300.43.110	PULL ROD REAR FORK		1	
20	TE250.212D.2a	CLUTCH RELEASE ROCKER WELDMENT		1	
21	FT200.21.106	RETURN SPRING OF RELEASE BEARING SEAT		2	
22	TA800.212-02	THRUST BEARING 996713		1	
23	TE300.212B-01	RELEASE BEARING SEAT		1	
24	GBT93-10-A0P	STANDARD SPRING WASHER		1	

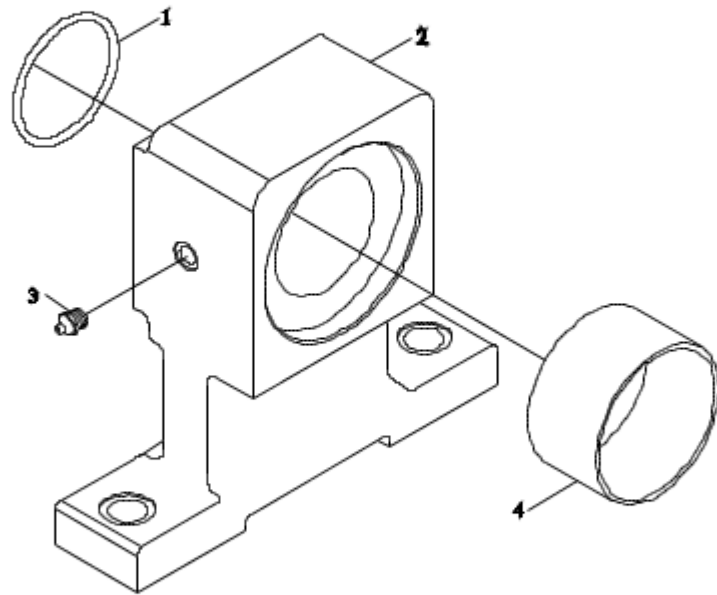
TL02220010000K



TL02220010000K

No.	Part No.	Description	Version	QTY.	Remark
	TL02220010000K	EXHAUST SYSTEM ASSEMBLY		1	
1	SPL6175PT-M10X1.5-8F3	HEXAGON SELF-LOCKING NUT, STYLE 2		2	
2	TL02220010003K	EXHAUST BENDING PIPE WELDMENT		1	
3	FT250.22C.030	SEAL GASKET UNIT		2	
4	GBT5783-M10X30-8.8-A3L	HEXAGON BOLT		2	
5	TL02220010001K	MUFFLER ASSEMBLY		1	
6	GBT5783-M10X25-8.8-A3L	HEXAGON BOLT		3	
7	GBT93-10-A0P	STANDARD SPRING WASHER		3	
8	GBT97.1-10-A0P	FLAT WASHER		3	
9	GBT96.1-8-A0P	BIG WASHER		2	
10	GBT93-8-A0P	STANDARD SPRING WASHER		2	
11	TE250.22A.2	MUFFLER BRACKET WELDMENT		1	
12	GBT5783-M8X20-8.8-A2L	HEXAGON BOLT		2	

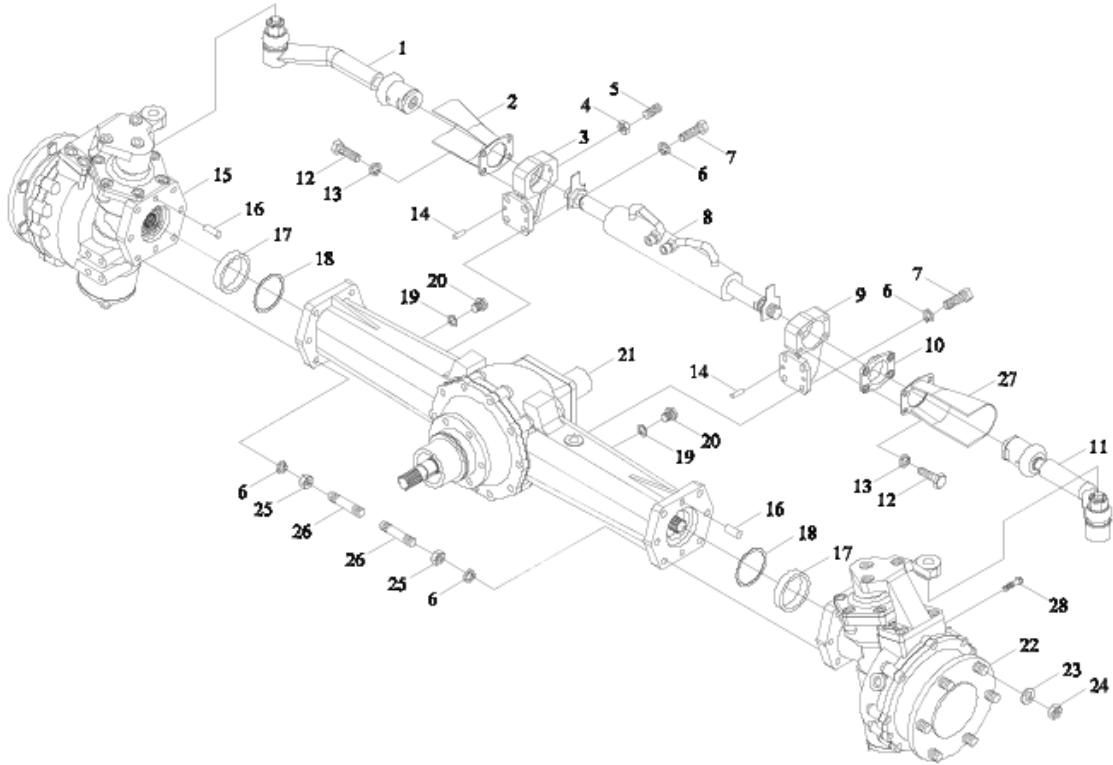
TE254. 314G



TE254. 314G

No.	Part No.	Description	Version	QTY.	Remark
1	GBT3452.1-54.5X3.55G	RUBBER O-SEAL RING		1	
2	TE254.311B.1-01	REAR SUPPORTING SEAT		1	
3	JBT7940.1-M10X1	STRAIGHT FORCED FILL- ING OIL CUP		1	
4	FT254.31F.129	SLIDING SHAFT SLEEVE 70X75X40		1	

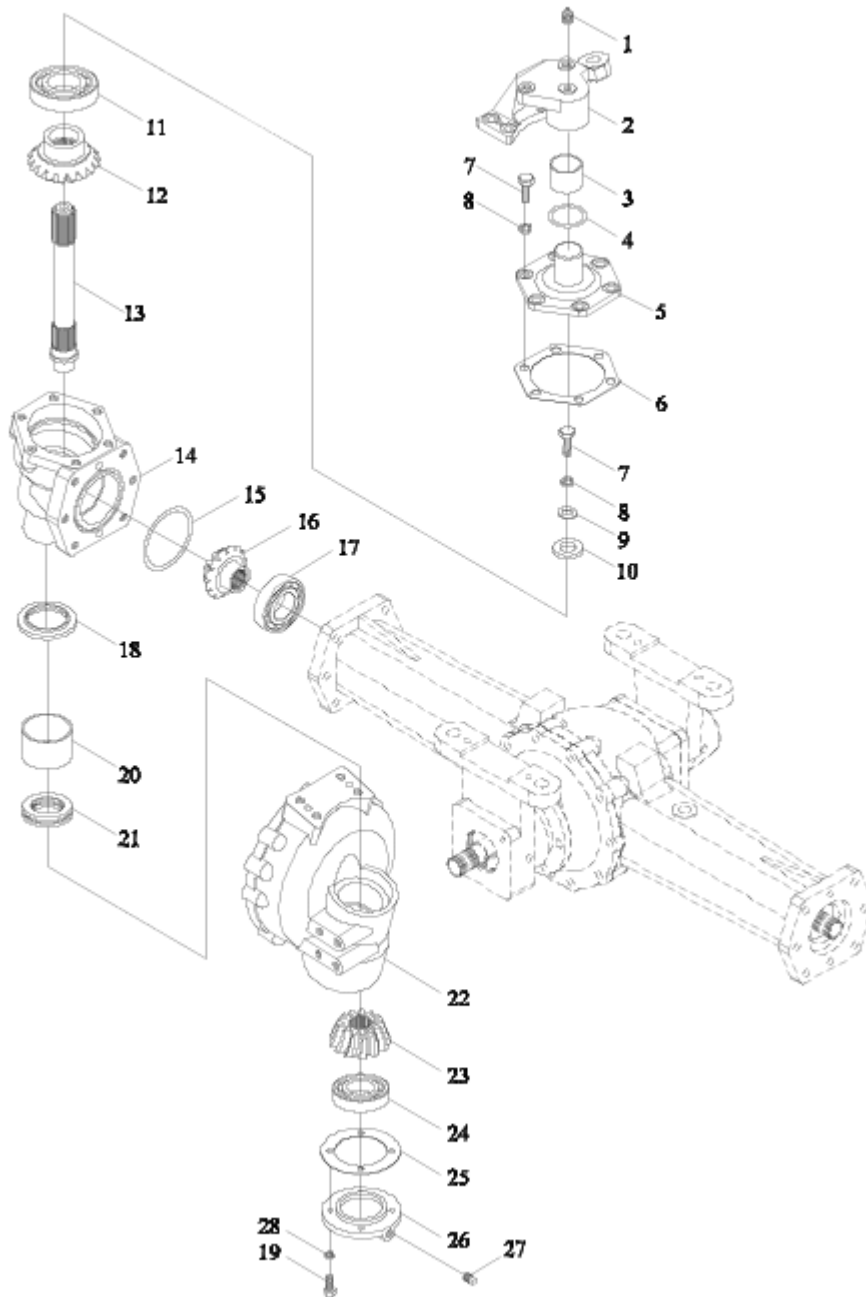
TE254. 311G-1



TE254. 311G-1

No.	Part No.	Description	Version	QTY.	Remark
1	TE254.311G.5	LEFT STEERING HORIZONTAL PULL ROD ASSEMBLY		1	
2	TE254.311J.6	OIL CYLINDER BONNET WELDMENT		1	
3	TE254.311G-03	OIL CYLINDER FIXING SEAT II		1	
4	GBT6174-M6-A2L	NUT		1	
5	GBT71-M6X20	SCREW		1	
6	GBT93-10-A0P	SPRING WASHER		12	
7	GBT5783-M10X25-A3L	BOLT		10	
8	TE254.311G.4	HYDRAULIC CYLINDER ASSEMBLY		1	
9	TE254.311G-02	OIL CYLINDER FIXING SEAT		1	
10	TE254.311G-01	SEAT COVER		1	
11	TE254.311G.6	RIGHT STEERING CROSS PULL ROD ASSEMBLY		1	
12	GBT5783-M8X20-A2L	BOLT		8	
13	GBT93-8-A0P	SPRING WASHER		8	
14	GBT119.1-6h8X14-A0P	COLUMN PIN		4	
15	TE254.311G.1	LEFT TRANSMISSION ASSEMBLY		1	
16	GBT119.1-10h8X20-A0P	COLUMN PIN		4	
17	FT254.31F.123	LOCATING SLEEVE		2	
18	FT254.31F.124	ADJUSTING GASKET		999	
19	JBT982-14	WASHER		2	
20	Q617B	PLUG		2	
21	TE254.311G.3	MAIN REDUCER BOX ASSEMBLY		1	
22	TE254.311G.2	RIGHT TRANSMISSION ASSEMBLY		1	
23	GBT97.1-14-A0P	WASHER		12	
24	GBT6176-M14X1.5-A3L	NUT		12	
25	GBT6171-M10X1.25-A2L	NUT		12	
26	GBT899-AM10-M10X1.25X35-8.8-A2 L	STUD		12	
27	TE254.311J.7	OIL CYLINDER BONNET WELDMENT		1	
28	TE254.311J-01	LIMIT BOLT		2	

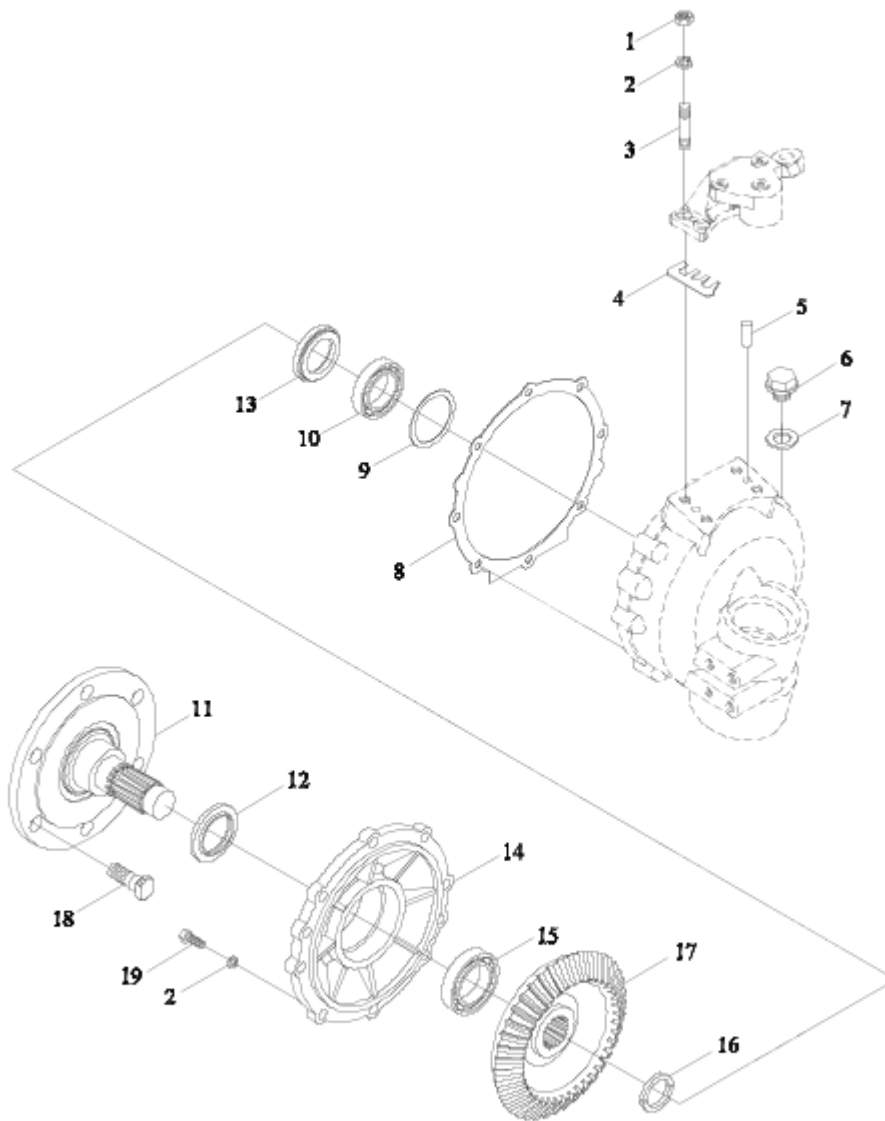
TE254. 311G-2. 1



TE254. 311G-2. 1

No.	Part No.	Description	Ver- sion	QTY.	Remark
1	JBT7940.1-M10X1	OIL CUP		1	
2	TE254.311G.1-01	LEFT STEERING SUPPORT		1	
3	FT254.31F.104	SHAFT BUSH		1	
4	GBT3452.1-33.5X3.55G	RUBBER O-SEAL RING		1	
5	FT254.31F.105	STEERING SHAFT SEAT		1	
6	FT254.31F.102	SEAL GASKET		999	
7	GBT5783-M10X25-A3L	BOLT		7	
8	GBT93-10-A0P	WASHER		7	
9	GBT96.1-10-A0P	BIG WASHER		1	
10	FT254.31F.106	MAT		1	
11	GBT276-6210	BEARING		1	
12	FT254.31F.108	HALF SHAFT BIG GEAR		1	
13	FT254.31F.119	END PIN SHAFT		1	
14	TE254.311G.1-02	STEERING BURL HOUSING		1	
15	GBT3452.1-80.0X2.65G	RUBBER O-SEAL RING		1	
16	FT254.31F.101	HALF SHAFT PINION		1	
17	GBT276-6207	BEARING		1	
18	FT254.31F.113	DUSTPROOF RING		1	
19	GBT5783-M6X20-A2L	BOLT		4	
20	FT254.31F.122	SHAFT BUSH		1	
21	GBT301-51106	BEARING		1	
22	FT254.31F.120a	LEFT END HOUSING		1	
23	FT254.31F.118a	END PINION		1	
24	GBT276-6305	BEARING		1	
25	FT254.31F.117	ADJUSTING GASKET		999	
26	FT254.31F.116	BOTTOM END COVER		1	
27	Q614B01	SQUARE HEAD TAPERED SCREW PLUG		1	
28	GBT93-6	WASHER		4	

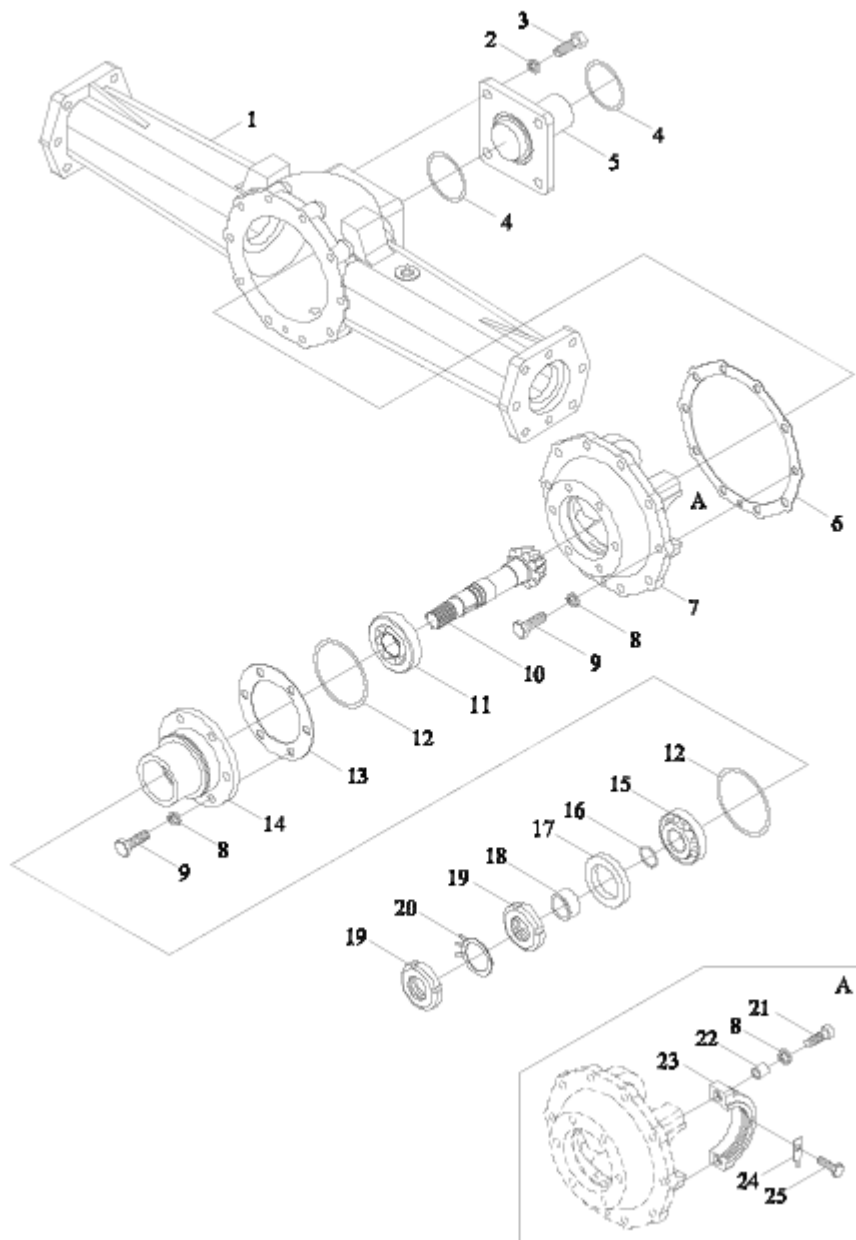
TE254. 311G-2. 2



TE254. 311G-2. 2

No.	Part No.	Description	Version	QTY.	Remark
1	GBT6171-M10X1.25-A2L	NUT		4	
2	GBT93-10-A0P	WASHER		12	
3	GBT899-AM10-M10X1.25X30-8.8-A2 L	STUD		4	
4	FT254.31F.107	ADJUSTING GASKET		999	
5	GBT119.2-B8X20-A0P	PIN		2	
6	FT254.31F.175	SCREW PLUG		1	
7	FT254.31F.176	WASHER		1	
8	FT254.31F.114	ADJUSTING GASKET		999	
9	FT254.31F.115	ADJUSTING GASKET		999	
10	GBT276-6206	BEARING		1	
11	FT254.31F.111c	FRONT DRIVING SHAFT		1	
12	FT254.31F.113	DUSTPROOF RING		1	
13	FT254.31F.178c	LOCATING RING		1	
14	FT254.31F.109c	END BIG COVER		1	
15	GBT276-6308	DEEP GROOVE BALL BEARING		1	
16	FT254.31F.112a	STEEL WIRE RETAINER RING		1	
17	FT254.31F.110c	END BIG GEAR		1	
18	FT254.31F.177	BOLT		6	
19	GBT5783-M10X30-A3L	BOLT		8	

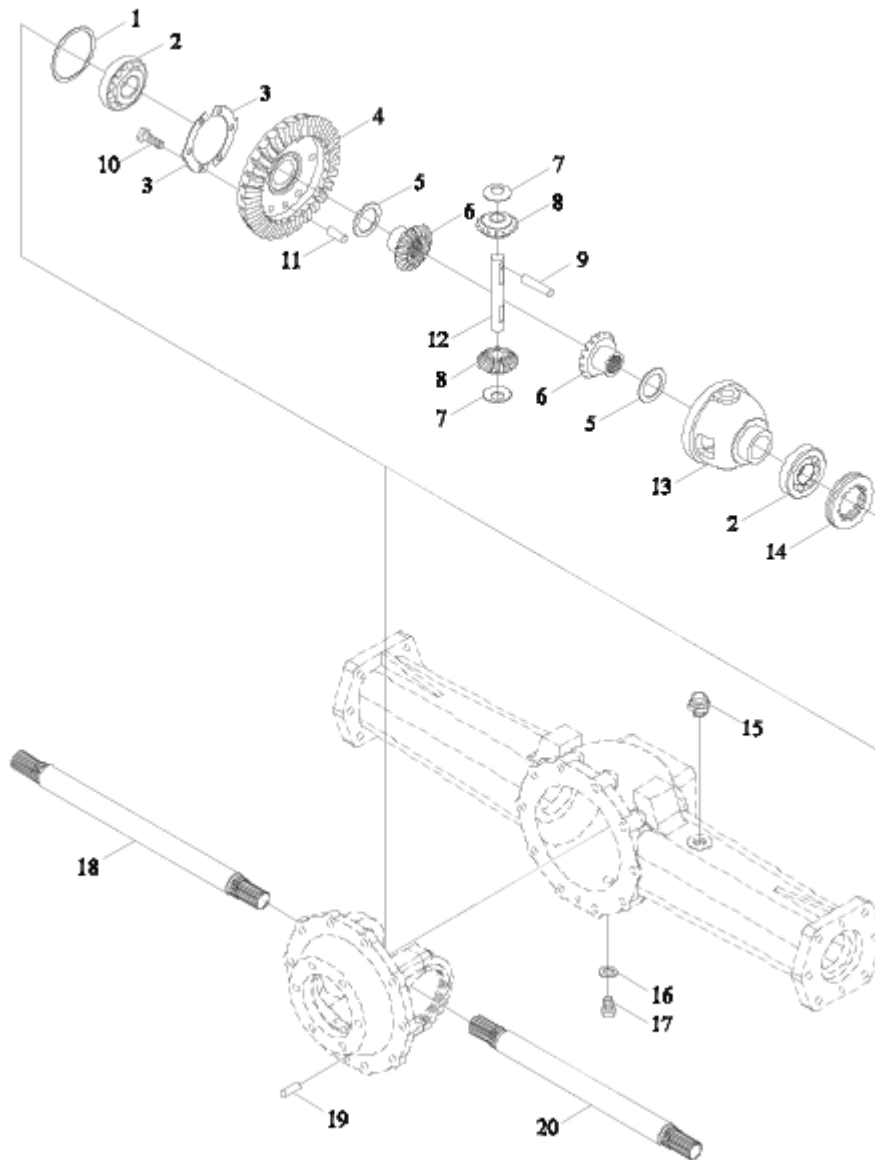
TE254. 311G-3. 1



TE254. 311G-3. 1

No.	Part No.	Description	Ver- sion	QTY.	Remark
1	TE254.311G.3-04	MAIN REDUCER BOX HOUSING		1	
2	GBT93-12-A0P	WASHER		4	
3	GBT5783-M12X30-A3L	BOLT		4	
4	GBT3452.1-63.0X3.55G	O-RING		2	
5	TE254.311G.3-02	FRONT SUPPORT SHAFT		1	
6	FT254.31F.132	ADJUSTING GASKET		999	
7	TE254.311G.3-01	DIFFERENTIAL SEAT		1	
8	GBT93-10-A0P	WASHER		18	
9	GBT5783-M10X30-A3L	BOLT		16	
10	FT254.31F.127	INPUT SPIRAL BEVEL GEAR SHAFT		1	
11	GBT297-31306	BEARING		1	
12	GBT3452.1-73.0X3.55G	O-RING		2	
13	FT254.31F.131	ADJUSTING GASKET		999	
14	FT254.31F.130	REAR SUPPORTING SHAFT		1	
15	GBT297-32006	BEARING		1	
16	GBT3452.1-23.6X2.65G	O-RING		1	
17	GBT9877.1-FB35X55X8B	OIL SEAL		1	
18	FT254.31F.128	OIL SEAL BUSH		1	
19	GBT810-M27X1.5	SMALL ROUND NUT		2	
20	GBT858-27	WASHER		1	
21	GBT70.1-M10X40	SCREW		2	
22	FT254.31F.152	LOCATING SLEEVE		2	
23	FT254.31F.139	BEARING FIXING SLEEVE		1	
24	FT254.31F.141	THRUST WASHER		1	
25	GBT5783-M8X16-A2L	BOLT		1	

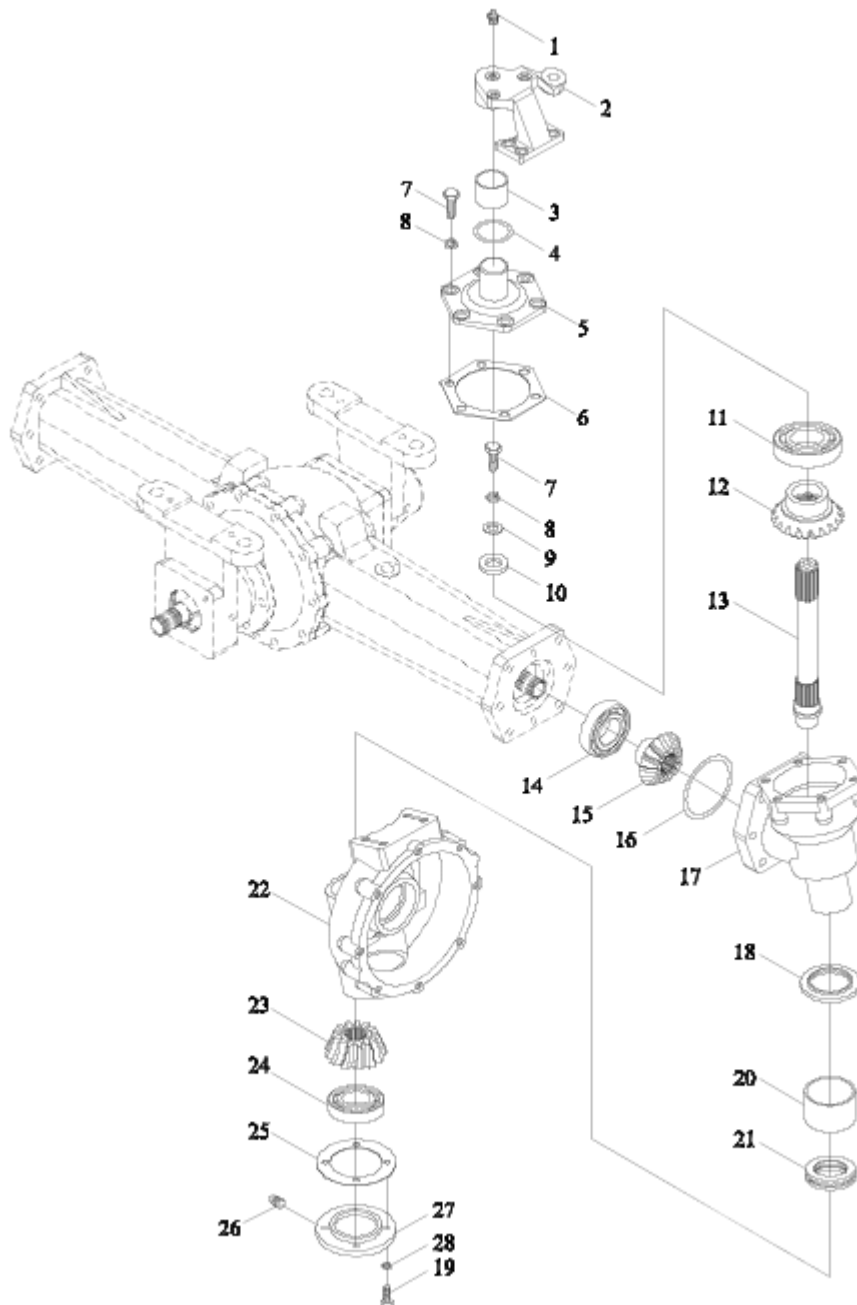
TE254. 311G-3. 2



TE254. 311G-3. 2

No.	Part No.	Description	Version	QTY.	Remark
1	FT254.31F.134	ADJUSTING GASKET		1	
2	GBT297-32009	BEARING		2	
3	FT254.31F.135	THRUST WASHER		2	
4	FT254.31F.144	BIG BEVEL GEAR		1	
5	FT254.31F.148	FLAT WASHER		2	
6	FT254.31F.143	DIFFERENTIAL BIG GEAR		2	
7	FT254.31F.146	SPHERICAL WASHER		2	
8	FT254.31F.147	PLANET GEAR		2	
9	GBT119.1-8m6X40-A0P	PIN		1	
10	GBT5783-M8X25-A2L	BOLT		6	
11	GBT119.2-8X20-A0P	PIN		1	
12	FT254.31F.145	DIFFERENTIAL PIN SHAFT		1	
13	FT254.31F.149	DIFFERENTIAL HOUSING		1	
14	FT254.31F.140	ADJUSTING NUT		1	
15	TE254.311A.1.1	STEEL BALL VENTILATION PLUG		1	
16	FT304.42.118	WASHER		1	
17	Q617B12	HEXAGON PLUG		1	
18	FT254.31F.142	LEFT HALF SHAFT		1	
19	GBT119.2-8X18-A0P	PIN		1	
20	FT254.31F.151	RIGHT HALF SHAFT		1	

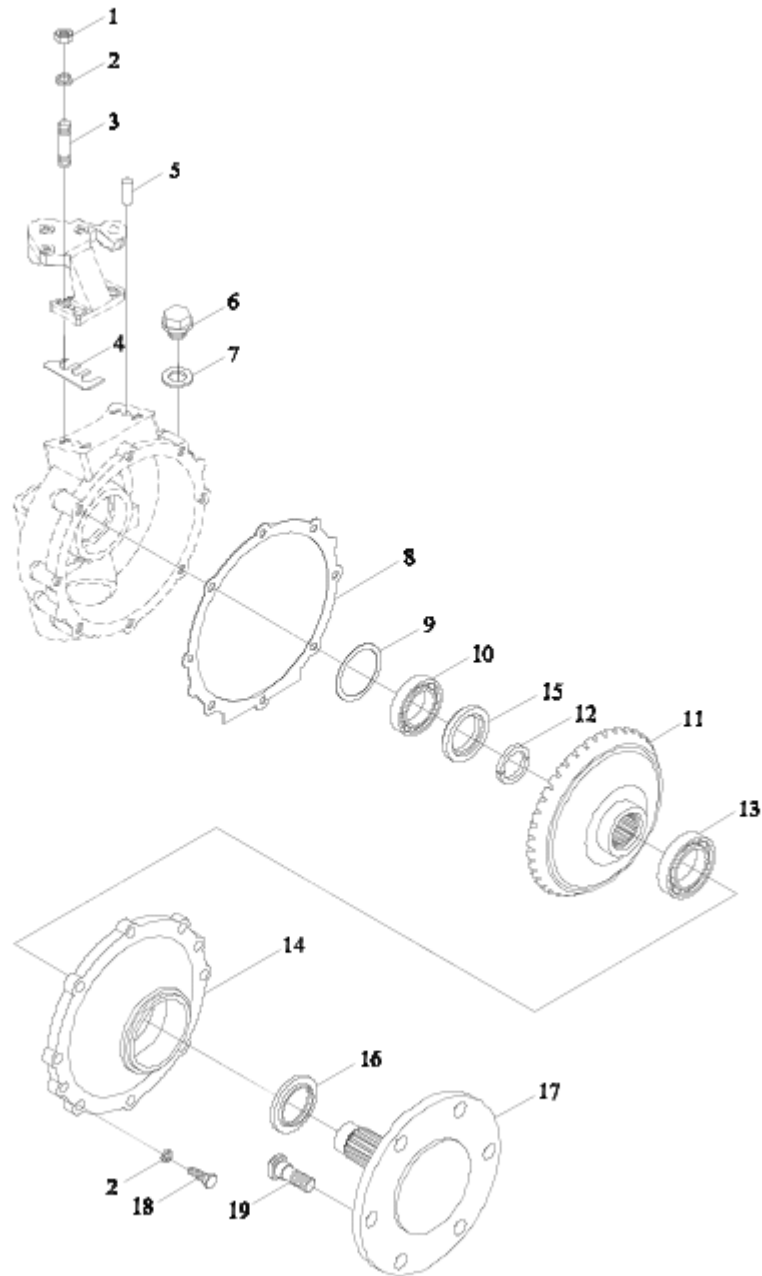
TE254. 311G-4. 1



TE254. 311G-4. 1

No.	Part No.	Description	Ver- sion	QTY.	Remark
1	JBT7940.1-M10X1	OIL CUP		1	
2	TE254.311G.2-01	RIGHT STEERING SUPPORT		1	
3	FT254.31F.104	SHAFT BUSH		1	
4	GBT3452.1-34.5X3.55G	RUBBER O-SEAL RING		1	
5	FT254.31F.105	STEERING SHAFT SEAT		1	
6	FT254.31F.102	SEAL GASKET		999	
7	GBT5783-M10X25-A3L	BOLT		7	
8	GBT93-10	WASHER		7	
9	GBT96.1-10-A0P	WASHER		1	
10	FT254.31F.106	MAT		1	
11	GBT276-6210	BEARING		1	
12	FT254.31F.108	HALF SHAFT BIG GEAR		1	
13	FT254.31F.119	END PIN SHAFT		1	
14	GBT276-6207	BEARING		1	
15	FT254.31F.101	HALF SHAFT PINION		1	
16	GBT3452.1-80.0X2.65G	RUBBER O-SEAL RING		1	
17	TE254.311G.1-02	STEERING BURL HOUSING		1	
18	FT254.31F.113	DUSTPROOF RING		1	
19	GBT5783-M6X20-A2L	BOLT		4	
20	FT254.31F.122	SHAFT BUSH		1	
21	GBT301-51106	BEARING		1	
22	FT254.31F.155a	RIGHT END HOUSING		1	
23	FT254.31F.118a	END PINION		1	
24	GBT276-6305	BEARING		1	
25	FT254.31F.117	ADJUSTING GASKET		999	
26	Q614B01	SQUARE HEAD TAPERED SCREW PLUG		1	
27	FT254.31F.116	BOTTOM END COVER		1	
28	GBT93-6	WASHER		4	

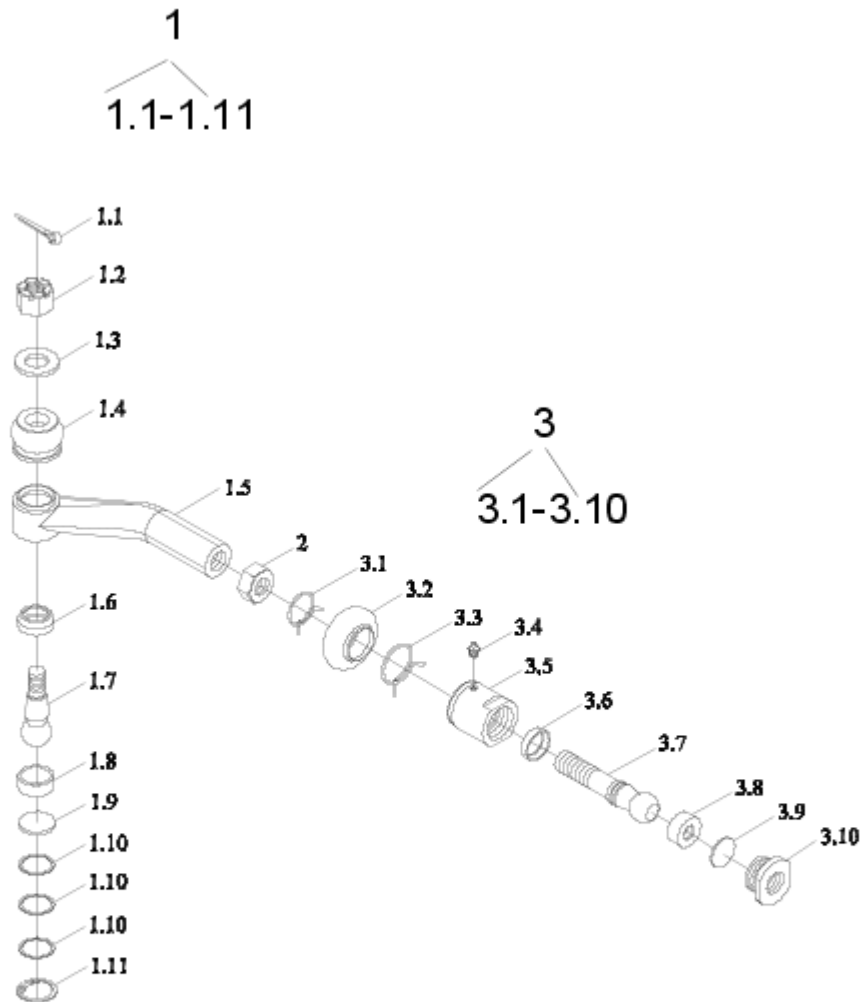
TE254. 311G-4. 2



TE254. 311G-4. 2

No.	Part No.	Description	Version	QTY.	Remark
1	GBT6171-M10X1.25-A2L	NUT		4	
2	GBT93-10	WASHER		12	
3	GBT899-AM10-M10X1.25X30-A2L	STUD		4	
4	FT254.31F.107	ADJUSTING GASKET		999	
5	GBT119.2-8X20-A0P	COLUMN PIN		2	
6	FT254.31F.175	SCREW PLUG		1	
7	FT254.31F.176	WASHER		1	
8	FT254.31F.114	ADJUSTING GASKET		999	
9	FT254.31F.115	ADJUSTING GASKET		999	
10	GBT276-6206	BEARING		1	
11	FT254.31F.110c	END BIG GEAR		1	
12	FT254.31F.112c	STEEL WIRE RETAINER RING		2	
13	GBT276-6308	DEEP GROOVE BALL BEARING		1	
14	FT254.31F.109c	END BIG COVER		1	
15	FT254.31F.178c	LOCATING RING		1	
16	FT254.31F.113	DUSTPROOF RING		2	
17	FT254.31F.111c	FRONT DRIVING SHAFT		1	
18	GBT5783-M10X30-A3L	BOLT		8	
19	FT254.31F.177	BOLT		6	

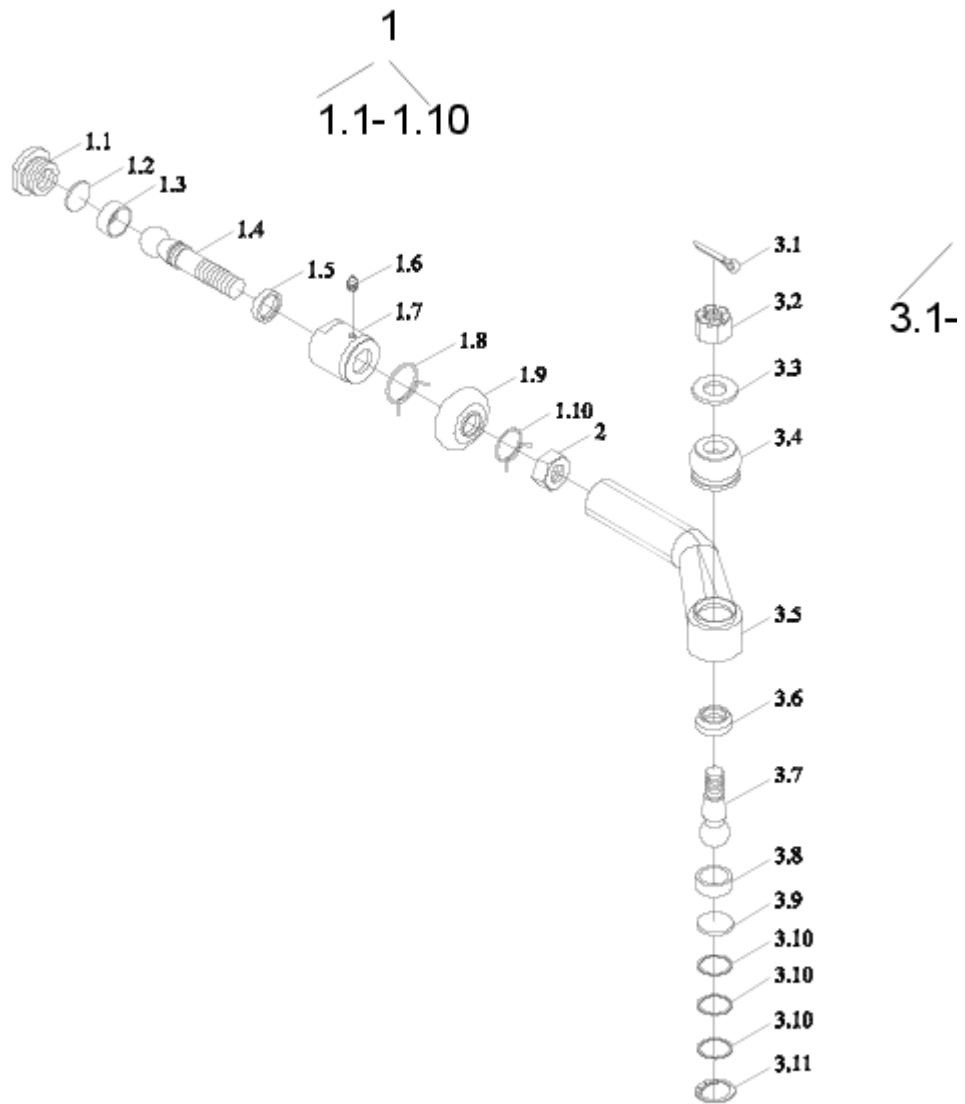
TE254. 311G-5



TE254. 311G-5

No.	Part No.	Description	Ver- sion	QTY.	Remark
1	TE254.311G.5.1	LEFT ROCKER JOINT ASSEMBLY		1	
2	GBT6173-M18X1.5-A3L	NUT		1	
3	TE254.311G.5.2	OIL CYLINDER JOINT ASSEMBLY		1	

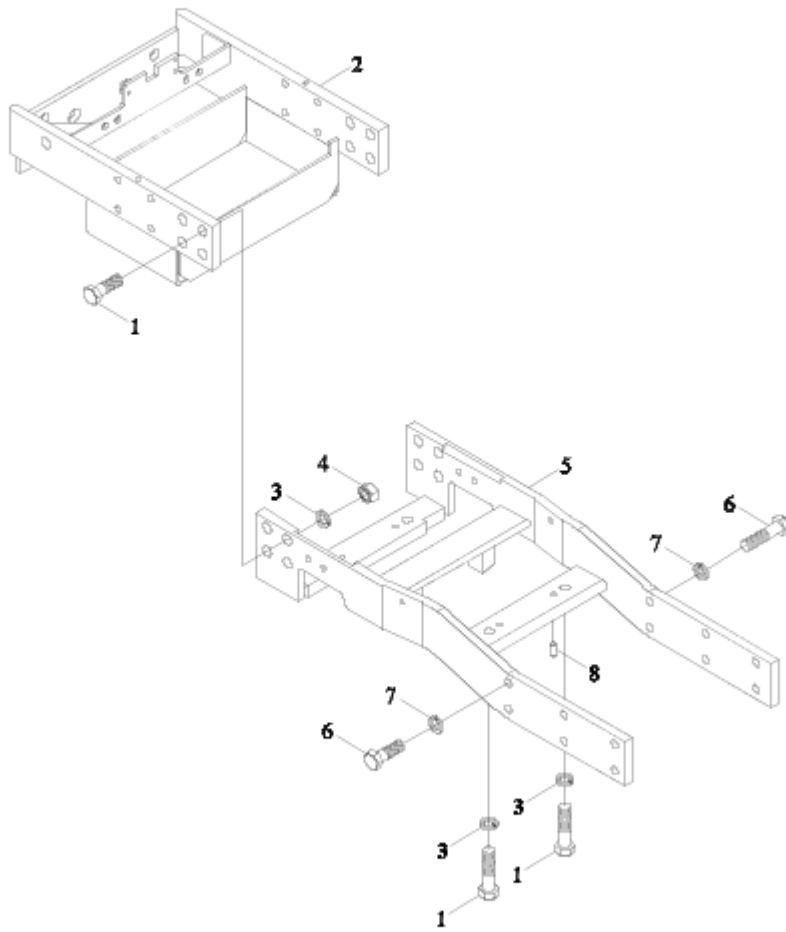
TE254. 311G-6



TE254. 311G-6

No.	Part No.	Description	Version	QTY.	Remark
1	TE254.311G.5.2	OIL CYLINDER JOINT ASSEMBLY		1	
2	GBT6173-M18X1.5-A3L	NUT		1	
3	TE254.311G.6.1	RIGHT ROCKER JOINT ASSEMBLY		1	

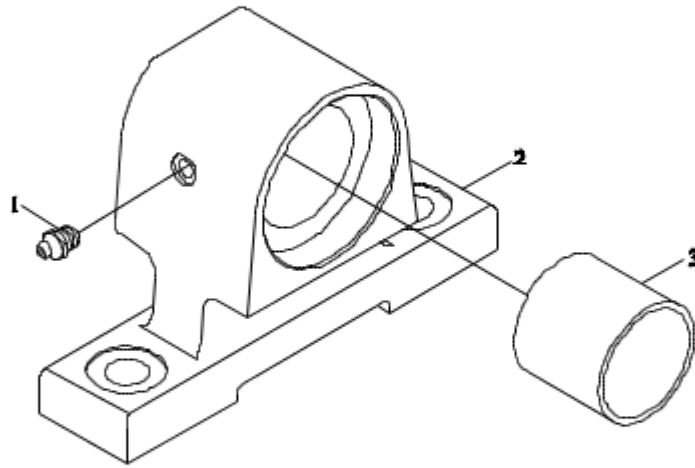
TL02312010000K



TL02312010000K

No.	Part No.	Description	Ver- sion	QTY.	Remark
1	GBT5783-M16X55-8.8-A3L	HEXAGON BOLT		12	
2	TL02312010001K	BATTERY BRACKET WELDMENT		1	
3	GBT93-16-A0P	STANDARD SPRING WASHER		12	
4	GBT6170-M16-8-A3L	HEXAGON NUT, TYPE-1		8	
5	TL02312010002K	HALF-BRACKET WELDMENT		1	
6	GBT5783-M12X35-8.8-A3L	HEXAGON BOLT		12	
7	GBT93-12-A0P	STANDARD SPRING WASHER		12	
8	GBT119.2-8X20-A0P	COLUMN PIN		4	

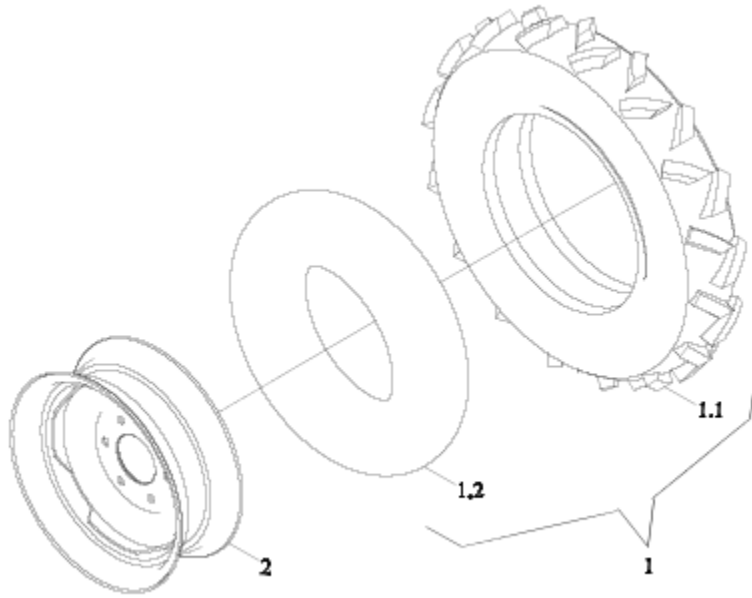
TE254. 313G



TE254. 313G

No.	Part No.	Description	Version	QTY.	Remark
1	JBT7940.1-M10X1	STRAIGHT FORCED FILL- ING OIL CUP		1	
2	TE254.313G-01	FRONT SUPPORT SEAT		1	
3	FT254.31F.136	SLIDING SHAFT SLEEVE 45X50X45		1	

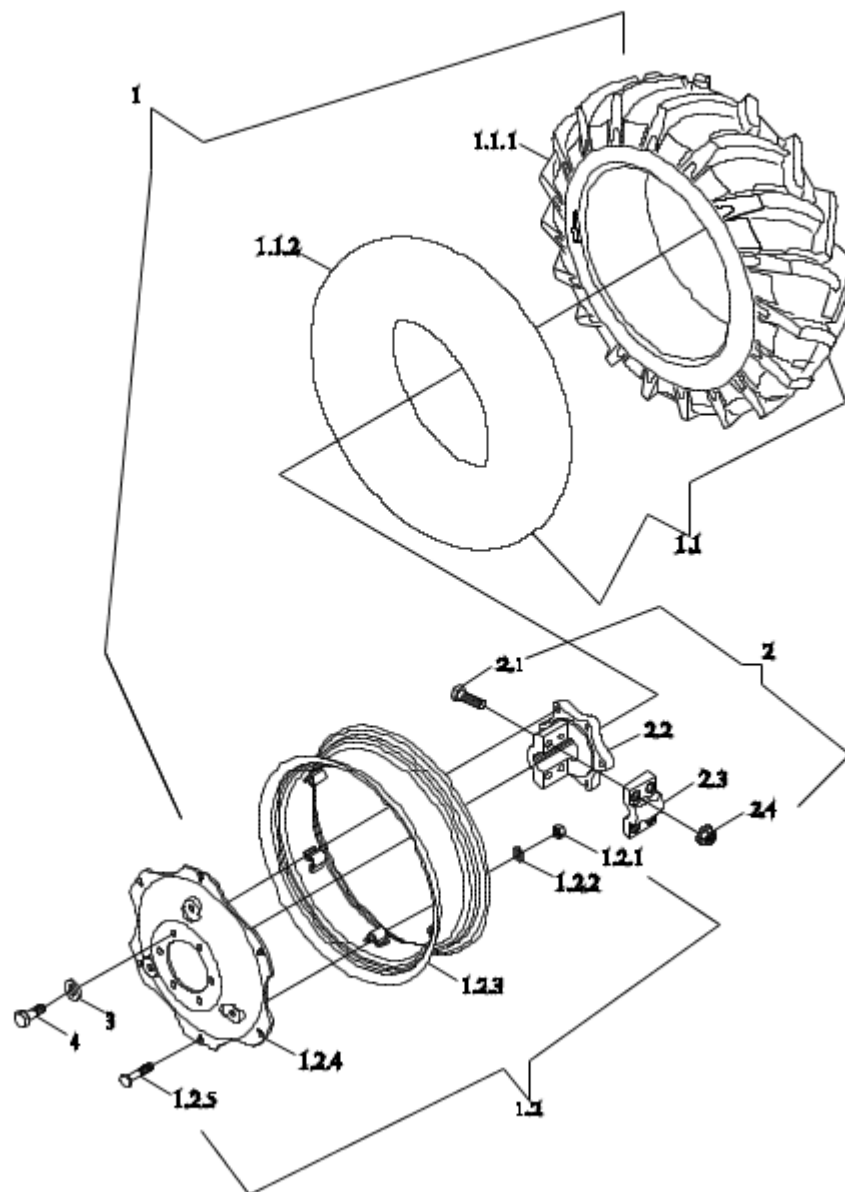
TE354. 32F



TE354. 32F

No.	Part No.	Description	Version	QTY.	Remark
1	TE354.32F.2	TIRES ASSEMBLY 7.50-16		9	
1.1	GBT2979-7.50-16-6PR-R	OUTER TYRE		9	
1.2	GBT2979-7.50-16-R	DRIVING WHEEL INNER TUBE		1	
2	TE324.32F.1	RIM WELDMENT		1	

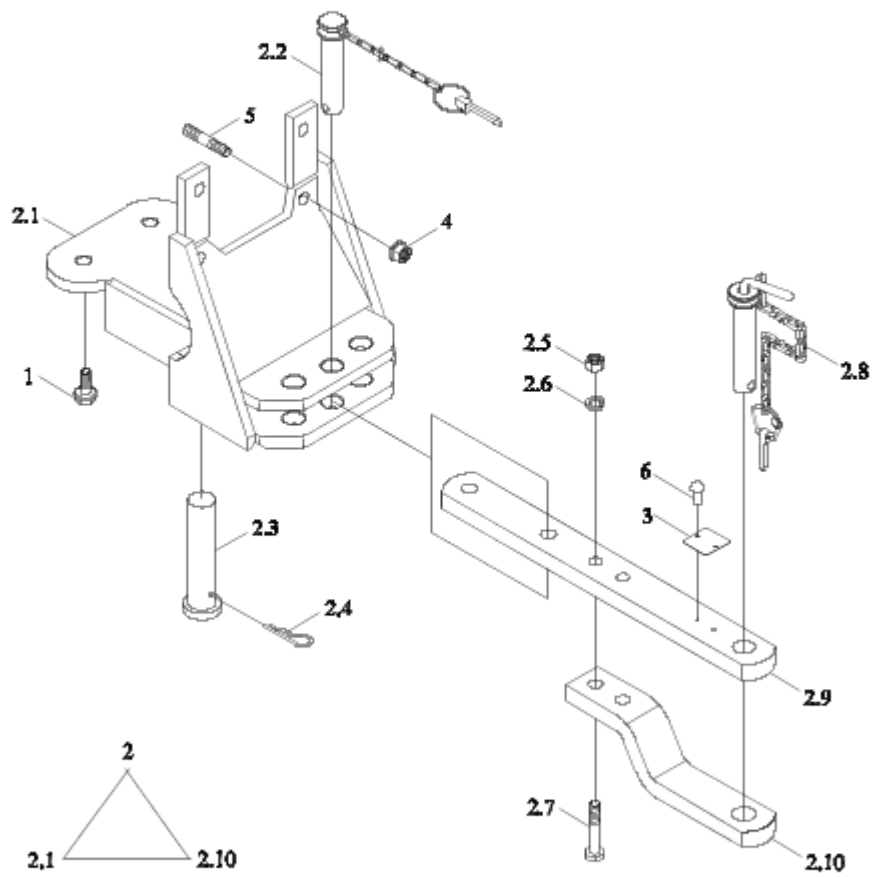
TE354. 34F



TE354. 34F

No.	Part No.	Description	Version	QTY.	Remark
1	TE354.34F.1	REAR WHEEL ASSEMBLY		2	
1.1	TE354.34F.1.2	TIRES ASSEMBLY		2	
1.1.1	GBT2979-12.4-24-6PR-R	DRIVING WHEEL OUTER TUBE		2	
1.1.2	GBT2979-12.4-24-R	DRIVING WHEEL INNER TUBE		2	
1.2	TE354.34F.1.1	RIM SPOKE ASSEMBLY		2	
1.2.1	GBT6171-M16X1.5-8-A3L	HEXAGON NUT, TYPE-1		12	
1.2.2	FT300.34.106	WASHER		12	
1.2.3	TE324.34F.1.1.1	RIM WELDMENT		2	
1.2.4	TE324.34.1.1-01	SPOKE PLATE		2	
1.2.5	FT300.34.102	RIM BOLT		12	
2	TE254.34B.2	HUB INSTALLATION ASSEMBLY		2	
2.1	TE254.34B.2-01	HUB BOLT		8	
2.2	FT250.34.102a	DRIVING WHEEL HUB		2	
2.3	FT250.34.103a	DRIVING WHEEL HUB COVER		2	
2.4	SPL-CO-M14X1.5-10-F3	HEXAGON NUT		8	
3	FT250.34.108	HUB WASHER		12	
4	GBT5786-M14X1.5X35-10.9-A3L	HEXAGON BOLT		12	

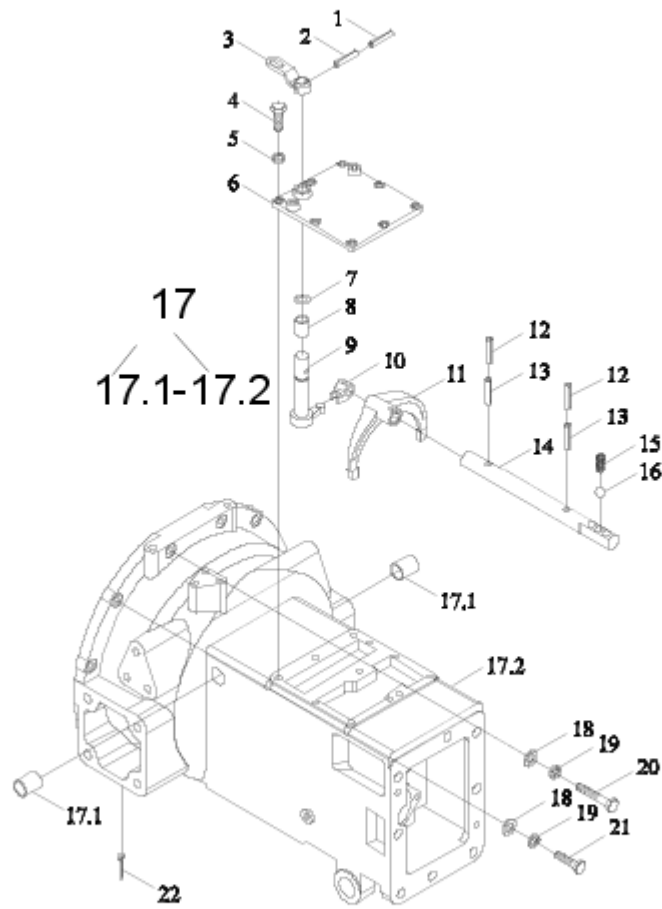
TL01350010000K



TL01350010000K

No.	Part No.	Description	Version	QTY.	Remark
	TL01350010000K	TOWING MECHANISM INSTALLATION ASSEMBLY		1	
1	GBT16674.1-M12X30-10.9-A3L	HEXAGON FLANGE NUT		2	
2	TL01350010001K	TRACTION DEVICE ASSEMBLY		1	
2.1	TE300.35.2.1	TOWING BRACKET WELDMENT		1	
2.2	TE250.35A.1.1	LIMITING PIN AND LOCK PIN ASSEMBLY		1	
2.3	FT250.35.101	CONNECTING PIN		1	
2.4	FT65.35.103	SPRING LOCK PIN		1	
2.5	GBT6170-M16-8-A3L	HEXAGON NUT, TYPE-1		2	
2.6	GBT93-16	STANDARD SPRING WASHER		2	
2.7	GBT5782-M16X80-8.8-A3L	HEXAGON BOLT		2	
2.8	TB400.35.1.2	TOWING PIN AND LOCK PIN ASSEMBLY		1	
2.9	TE250.35C.1-01	SWING ROD		1	
2.10	TB400.35.1-02	CONNECTING SWING ROD		1	
3	TE250.35C-01	TOWING SIGN PLATE		1	
4	SPL-CO-M12-10-F3	HEXAGON NUT		4	
5	GBT899-GM12-M12X32-10.9-A3L	DOUBLE END STUDS		4	
6	GBT827-3X8-A0P	LABEL RIVET		2	

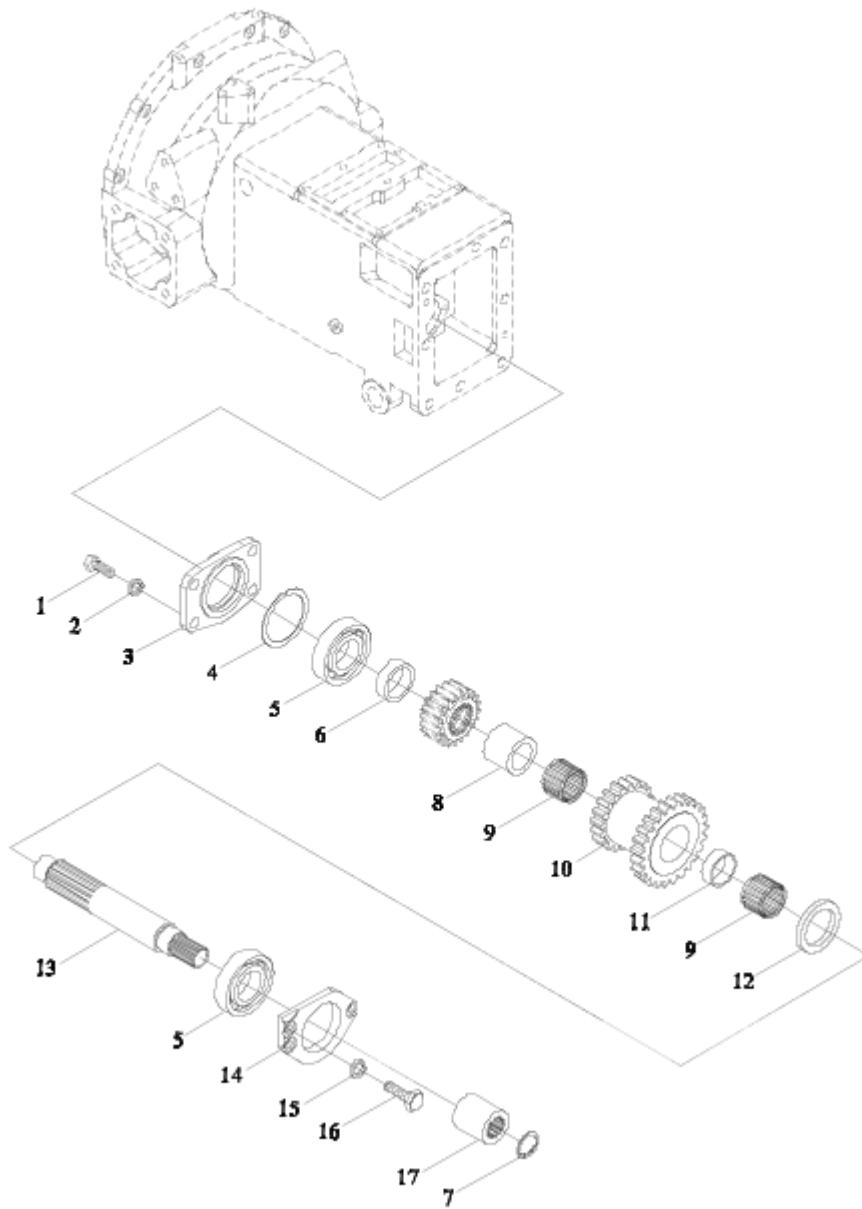
TE354. 361T-1



TE354. 361T-1

No.	Part No.	Description	Version	QTY.	Remark
1	GBT879.1-4X28	PIN		1	
2	GBT879.1-6X28	PIN		1	
3	TE250.361M.2	CONTROL ROCKER WELDMENT		1	
4	GBT5783-M8X25-8.8-A2L	BOLT		8	
5	GBT93-8	WASHER		8	
6	TE250.361M-02	SHUTTLE SHIFT UPPER COVER		1	
7	GBT3452.1-13.2X2.65G	O-RING		1	
8	TE250.361M-05	LIMITING SLEEVE		1	
9	TE250.361M-01	SHUTTLE SHIFT ROCKER ARM		1	
10	TE250.361M-03	SHUTTLE GEARSHIFT DI- AL HEAD		1	
11	TE354.361T-06	SHUTTLE SHIFT FORK		1	
12	GBT879.1-3X26	PIN		2	
13	GBT879.1-5X26	PIN		2	
14	TE354.361T-07	SHUTTLE SHIFT FORK SHAFT		1	
15	FT250.37.148	FORK SHAFT LOCKING SPRING		1	
16	GBT308-8.731-G200-b	STEEL BALL		1	
17	TE354.361T.1	CLUTCH HOUSING UNIT		1	
17.1	FT250.36.103	ROCKER SHAFT LONG BUSH		2	
17.2	TE354.361T.1-01	CLUTCH HOUSING		1	
18	GBT97.1-10-A0P	FLAT WASHER		12	
19	GBT93-10-A0P	WASHER		12	
20	GBT5782-M10X55-8.8-A2L	BOLT		4	
21	GBT5783-M10X35-8.8-A3L	BOLT		8	
22	GBT91-4X20-A0P	PIN		1	

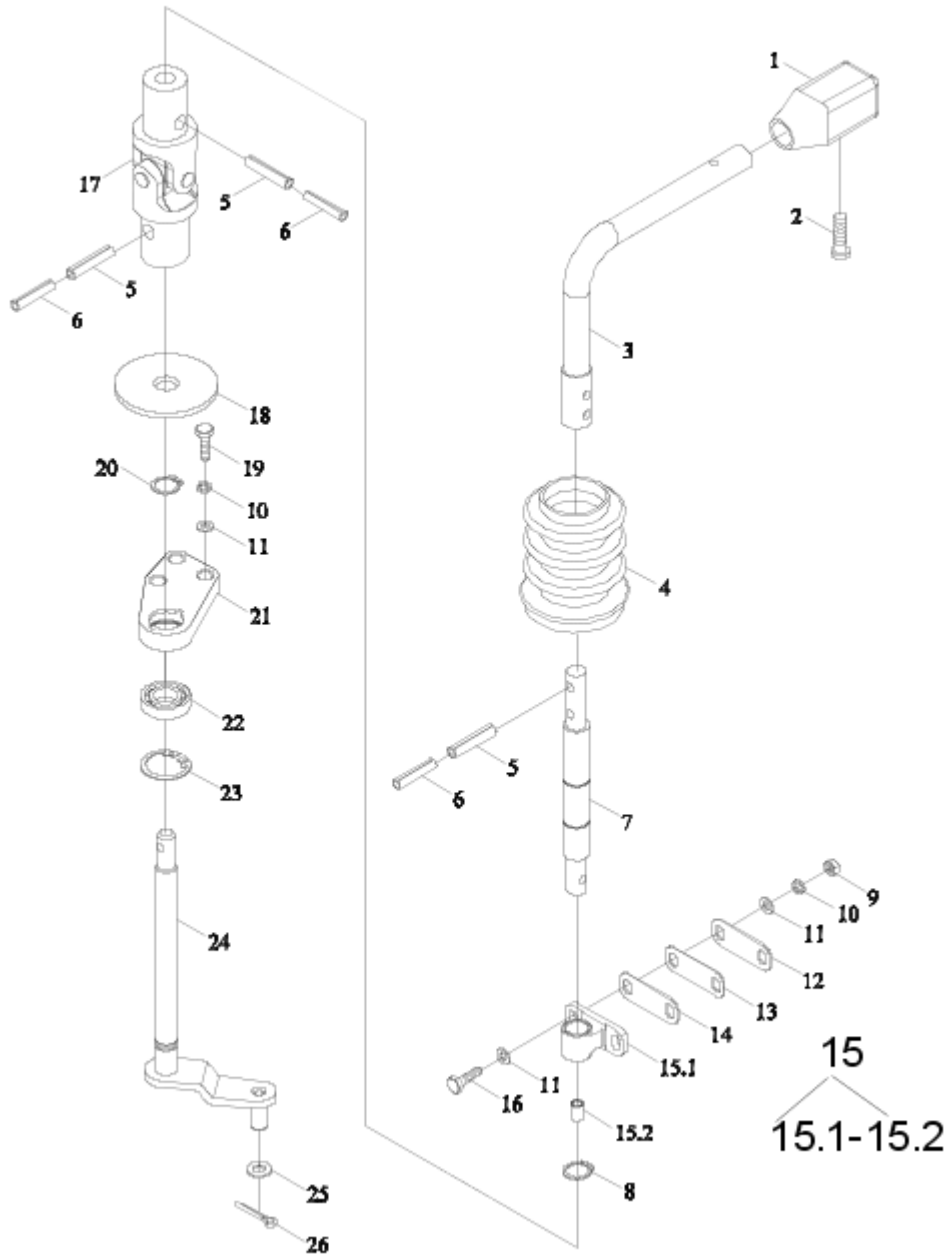
TE354. 361T-2



TE354. 361T-2

No.	Part No.	Description	Version	QTY.	Remark
1	GBT5783-M10X25-8.8-A3L	HEXAGON BOLT		4	
2	GBT93-10-A0P	WASHER		4	
3	TE250.361F-04	BEARING PRESSURE COVER		1	
4	TE250.361F-21	ADJUSTING WASHER		999	
5	GBT276-6305	DEEP GROOVE BALL BEARING		2	
6	TE250.361F-05	SPACER BUSH		1	
7	GBT893.1-18	CIRCLIPS FOR HOLE		1	
8	TE354.361T-17	MIDDLE SHAFT SPACER BUSH		1	
9	JBT7918-K30X35X27	NEEDLE AND CARRIER COMBINATION		2	
10	TE354.361T-01	SHUTTLE SHIFT DRIVEN DUAL GEAR		1	
11	TE354.361T-02	SHORT BUSH		1	
12	TE354.361T-04	MIDDLE SHAFT RETAINER RING		1	
13	TE250.361F-12	SHUTTLE SHIFT MIDDLE SHAFT		1	
14	TE250.361F-22	BEARING PRESSURE COVER		1	
15	GBT93-8	WASHER		3	
16	GBT5783-M8X20-8.8-A2L	HEXAGON BOLT		3	
17	TE250.361F-13	SPLINE BUSH		1	

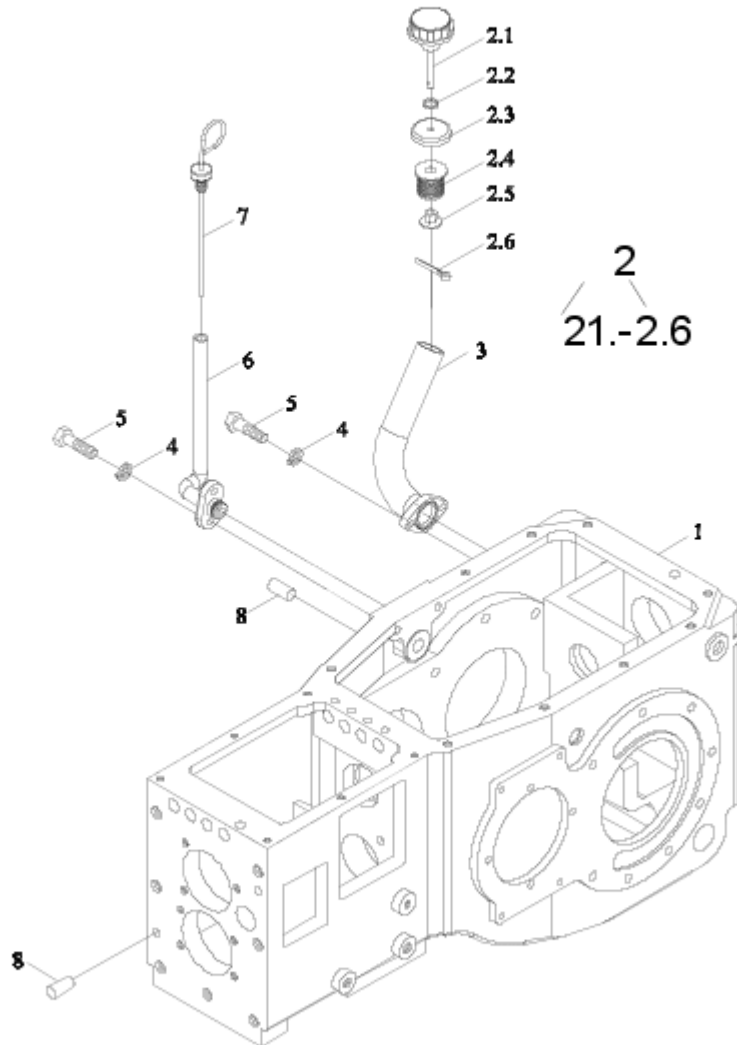
TE250. 362M



TE250. 362M

No.	Part No.	Description	Version	QTY.	Remark
1	TE250.362D-04	PLASTIC HANDLE		1	
2	GBT818-M5X16-A2L	CROSS SCREW		1	
3	TE250.362M.2	GEARSHIFT LEVER WELDMENT		1	
4	TE250.362D-01	DUSTPROOF RING		1	
5	GBT879.1-6X18	SPRING COLUMN PIN		4	
6	GBT879.1-3.5X18	SPRING COLUMN PIN		4	
7	TE250.362M-02b	MIDDLE ROD		1	
8	GBT894.1-16	CIRCLIP FOR SHAFT		1	
9	GBT6170-M10-A3L	HEXAGON NUT, TYPE-1		2	
10	GBT93-10-A0P	STANDARD SPRING WASHER		5	
11	GBT97.1-10-A0P	FLAT WASHER		4	
12	TE250.362M-06	ADJUSTING WASHER		999	
13	TE250.362M-05	ADJUSTING WASHER		999	
14	TE250.362M-04	ADJUSTING WASHER		999	
15	TE250.362M.3	GUIDE SLEEVE UNIT		1	
15.1	TE250.362M.3-01	GUIDE SLEEVE		1	
15.2	TE250.362M.3-02	SLEEVE		1	
16	GBT5783-M10X35-8.8-A3L	HEXAGON BOLT		2	
17	TE250.362D.2	UNIVERSAL JOINT ASSEMBLY		1	
18	TE250.362M-03	SEAL BLOCK		1	
19	GBT5783-M10X25-8.8-A3L	HEXAGON BOLT		3	
20	GBT894.1-15	CIRCLIP FOR SHAFT		1	
21	TE250.362M-01a	GUIDE SLEEVE		1	
22	GBT276-6002-2RS	DEEP GROOVE BALL BEARING		1	
23	GBT893.1-32	CIRCLIPS FOR HOLE		1	
24	TE250.362M.1a	CONTROL ROD WELDMENT		1	
25	GBT848-12-A0P	SMALL WASHER		1	
26	GBT91-2.5X20-A0P	SPLIT PIN		1	

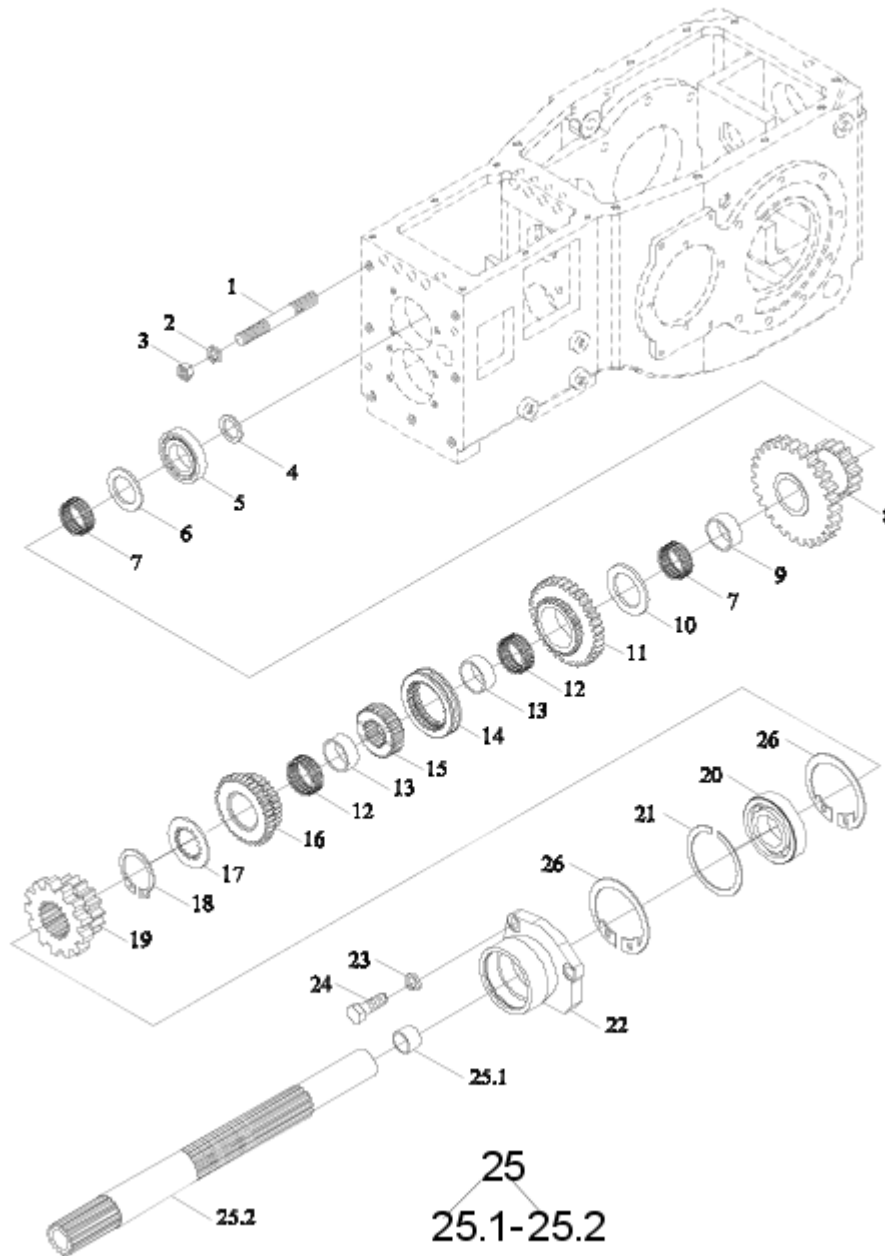
TE354. 371T-1



TE354. 371T-1

No.	Part No.	Description	Version	QTY.	Remark
	TE354.371.1a	TRANSMISSION CASE SHELL ASSEMBLY		1	
1	TE354.371.1-01a	TRANSMISSION CASE SHELL		1	
2	FT300.55B.029	OIL PIPE PLUG ASSEMBLY		1	
2.1	FT700.55D.029	HANDLE WHEEL ASSEMBLY I		1	
2.2	JBT982-8	WASHER		1	
2.3	FT700.55D.129	COVER PLATE		1	
2.4	FT300.55B.165	TENSION RUBBER SLEEVE		1	
2.5	FT300.55B.166	ADJUSTING NUT		1	
2.6	GBT91-3.2X16-A0P	PIN		1	
3	TE250.371F.1.1	OIL FILLING PIPE WELDMENT		1	
4	GBT93-8-A0P	STANDARD SPRING WASHER		4	
5	GBT5783-M8X25-8.8-A2L	HEXAGON BOLT		4	
6	TE250.371F.1.2	OIL DIPSTICK PIPE WELDMENT		1	
7	TE250.371F.1.3	DIPSTICK ASSEMBLY		1	
8	GBT119.1-10m6X26-A0P	COLUMN PIN		4	

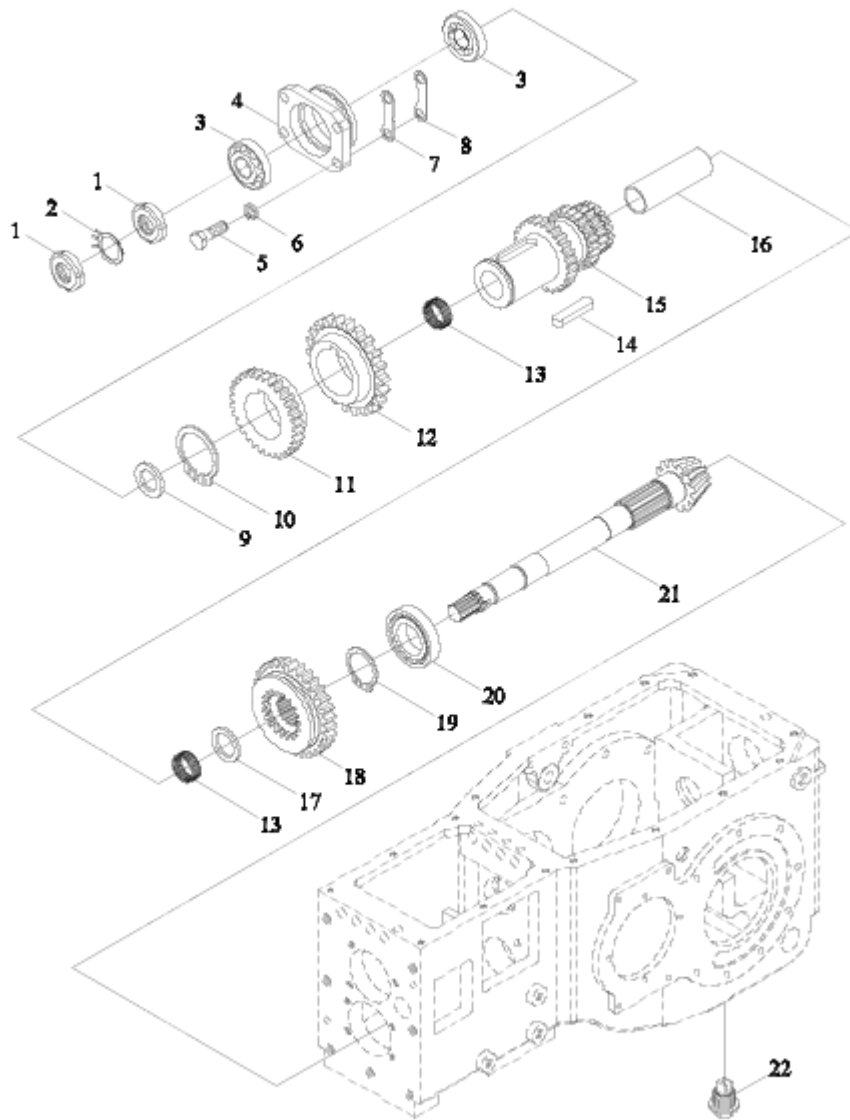
TE354. 371T-2



TE354. 371T-2

No.	Part No.	Description	Version	QTY.	Remark
1	GBT898-AM14-M14X1.5X40-8.8-A3L	DOUBLE END STUDS		7	
2	GBT93-14-A0P	WASHER		7	
3	GBT6171-M14X1.5-8-A3L	HEXAGON NUT, TYPE-1		7	
4	FT250.37A.272	THRUST RING		1	
5	GBT283-NJ206E	COLUMN ROLLER BEARING		1	
6	FT250.37A.147	1ST SHAFT ASSISTANT GEARSHIFT SLEEVE		1	
7	JBT7918-K30X35X27	ROLLER NEEDLE BEARING		2	
8	FT250.37.146	HIGH AND LOW GEAR FIXING GEAR		1	
9	FT250.37.139	SHORT SPACER		1	
10	FT250.37.138	IV DRIVING GEAR RETAINING RING		1	
11	TE300.371-08	IV DRIVING GEAR		1	
12	QLWZB120-K42X48X22	ROLLER NEEDLE BEARING		2	
13	FT250.37.134	GEAR SLIDING SLEEVE		2	
14	TE300.371-09	SHIFT COLLAR		1	
15	FT250.37.135	MESH GEAR SEAT		1	
16	TE300.371-07	III DRIVING GEAR		1	
17	FT250.37.133	3RD GEAR DRIVING GEAR RETAINER RING		1	
18	GBT894.1-34	RETAINER RING		1	
19	TE300.371-05	I-II SLIDING GEAR		1	
20	GBT276-6207N	DEEP GROOVE BALL BEARING		1	
21	GBT305-72-78.6	THRUST RING		1	
22	FT250.37.128	1ST SHAFT FRONT BEARING COVER		1	
23	GBT93-10-A0P	WASHER		3	
24	GBT5783-M10X25-8.8-A3L	HEXAGON BOLT		3	
25	TE354.371T.1	1ST SHAFT ASSEMBLY		1	
25.1	FT250.37A.137	SHAFT SLEEVE		1	
25.2	TE354.371T.1-01	1ST SHAFT		1	
26	GBT894.1-35	RETAINER RING		2	

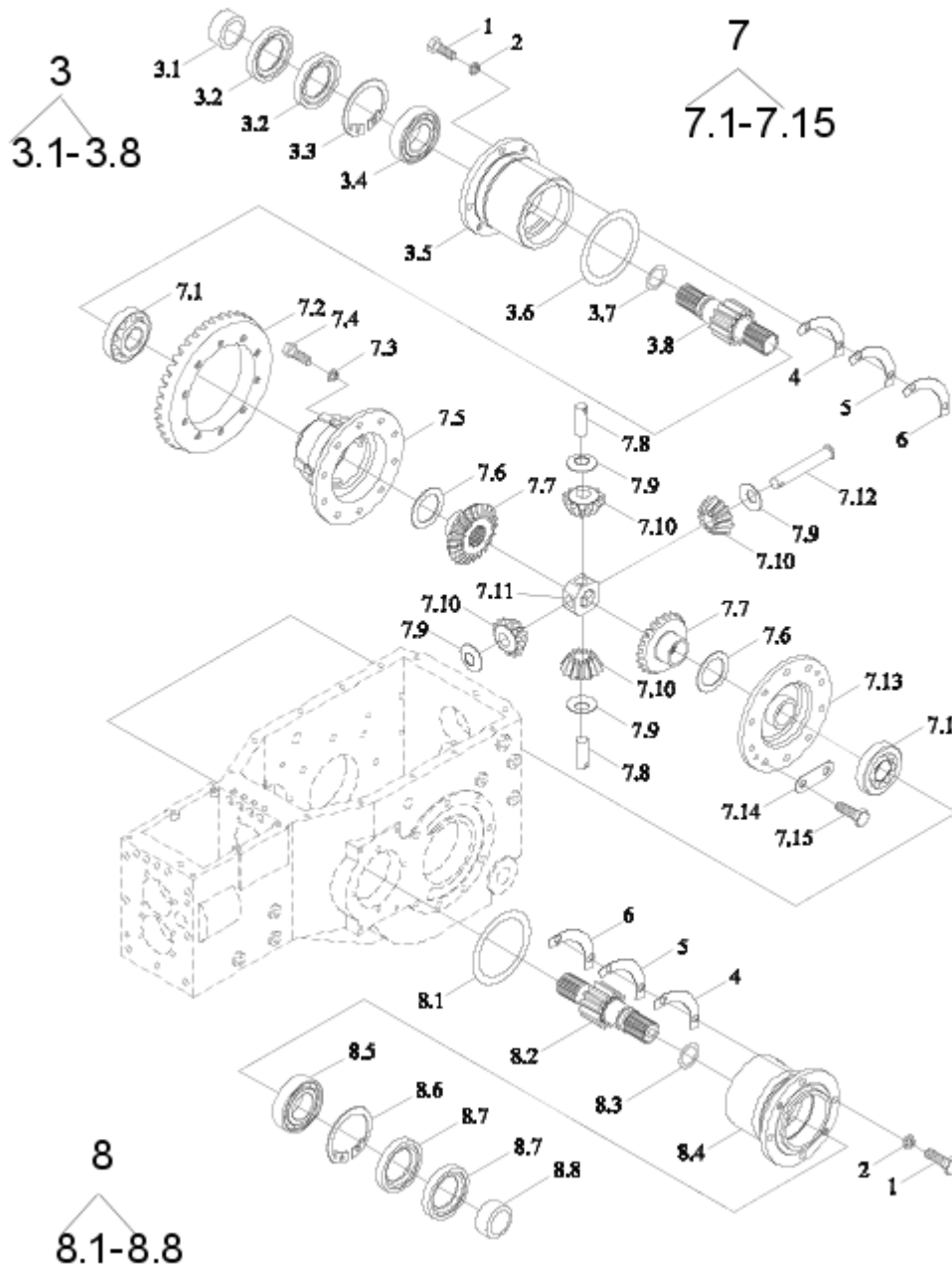
TE354. 371T-3



TE354. 371T-3

No.	Part No.	Description	Ver- sion	QTY.	Remark
1	GBT812-M27X1.5	NUT		2	
2	GBT858-27	WASHER		1	
3	GBT297-30206	TAPERED ROLLER BEARING		2	
4	FT250.37.121	SHAFT-2 FRONT BEARING SEAT		1	
5	GBT5783-M10X25-8.8-A3L	HEXAGON BOLT		4	
6	GBT93-10-A0P	WASHER		4	
7	FT250.37.122	SHAFT-2 ADJUSTING WASHER		999	
8	FT250.37.123	SHAFT-2 ADJUSTING WASHER		999	
9	FT250.37.110a	SHAFT-2 FRONT THRUST RING		1	
10	GBT894.1-55	RETAINER RING		1	
11	TE300.371-03	II DRIVEN GEAR		1	
12	TE300.371-04	I DRIVEN GEAR		1	
13	JBT7918-K32X37X27	ROLLER NEEDLE BEARING		2	
14	GBT1096-14X9X56	KEY		1	
15	TE300.371-06a	III-IV DRIVEN GEAR		1	
16	FT250.37.105a	LONG SPACER BUSH		1	
17	FT250.37.104a	SHAFT-2 REAR THRUST RING		1	
18	FT250.37.103a	HIGH AND LOW GEAR SLIDING GEAR		1	
19	GBT894.1-38	RETAINER RING		1	
20	TE250.371C-02	BEARING		1	
21	TE300.371-01a	SECOND SHAFT		1	
22	FT65.38.026	OIL PLUG ASSEMBLY		1	

TE354. 372A-1



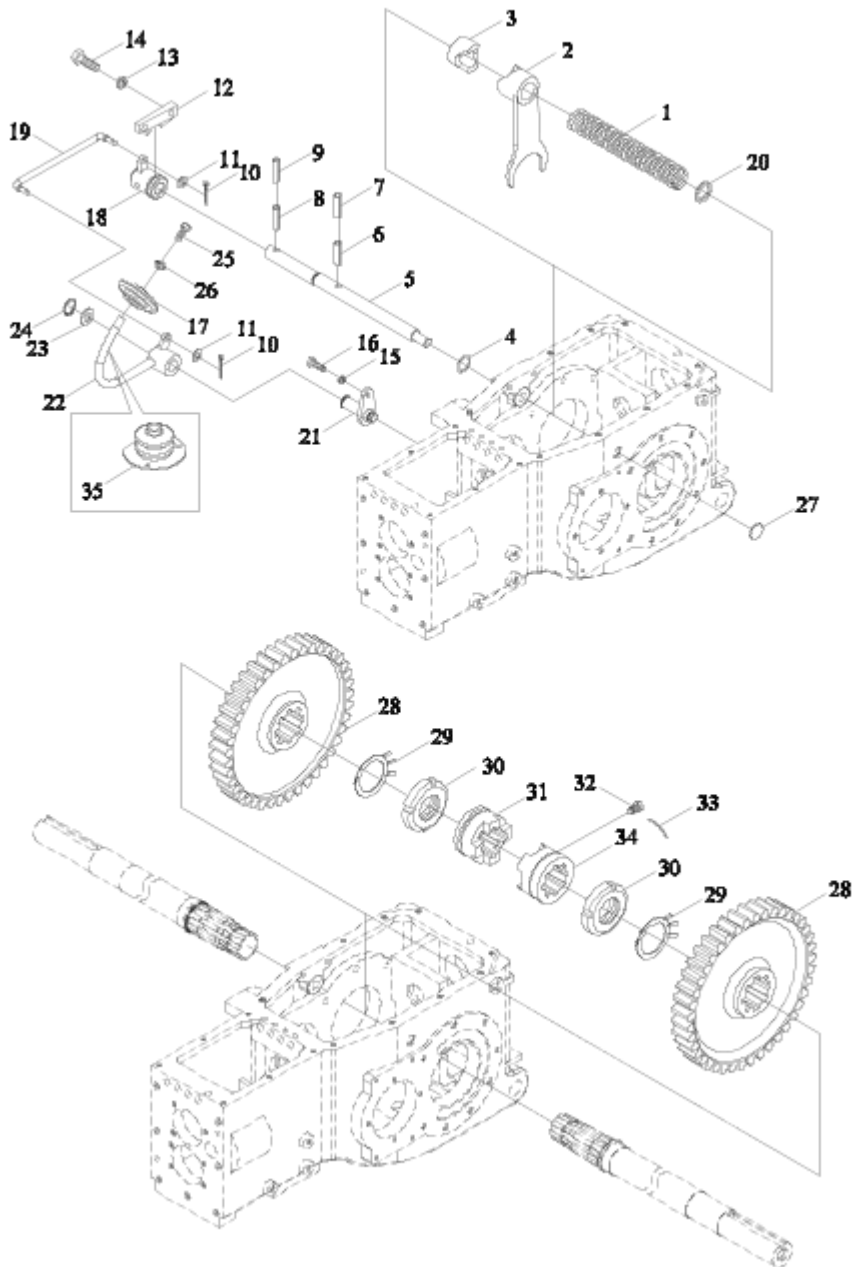
TE354. 372A-1

No.	Part No.	Description	Version	QTY.	Remark
1	GBT5783-M10X30-8.8-A3L	HEXAGON BOLT		8	
2	GBT93-10-A0P	WASHER		8	
3	TE354.372A.2	RIGHT SHORT HALF SHAFT ASSEMBLY		1	
3.1	FT250.37.208	OIL SEAL COLLAR		1	
3.2	GBT9877.1-FB52X80X8D	SEAL RING		2	
3.3	GBT893.1-80	RETAINER RING		1	
3.4	GBT276-6307	DEEP GROOVE BALL BEARING		1	
3.5	TE354.372A.2-01	RIGHT BEARING SEAT		1	
3.6	GBT3452.1-103X3.55G	O-RING		1	
3.7	GBT3452.1-28.0X3.55G	RUBBER O-SEAL RING		1	
3.8	TE300.372.1-02	FINAL TRANSMISSION DRIVING GEAR		1	
4	FT250.37.204	ADJUSTING WASHER		999	
5	FT250.37.205	ADJUSTING WASHER		999	
6	FT250.37.206	ADJUSTING WASHER		999	
7	TE300.372.2	DIFFERENTIAL ASSEMBLY		1	
7.1	GBT297-32011	TAPERED ROLLER BEARING		2	
7.2	TE300.372.2-07	DRIVEN SPIRAL BEVEL GEAR		1	
7.3	GBT93-8-A0P	STANDARD SPRING WASHER		3	
7.4	FT250.37.201	FIXING SCREW		3	
7.5	TE300.372.2-05	DIFFERENTIAL HOUSING		1	
7.6	FT250.37.203	HALF SHAFT GEAR WASHER		2	
7.7	FT250.37.202	HALF SHAFT GEAR		2	
7.8	TE300.372.2-09	SHORT PLANETARY GEAR SHAFT		2	
7.9	FT250.37.199	PLANET GEAR WASHER		4	
7.10	FT250.37.200	PLANET GEAR		4	
7.11	TE300.372.2-08	CENTRAL RING		1	
7.12	FT250.37.198	PLANET GEAR SHAFT		1	
7.13	TE300.372.2-06	DIFFERENTIAL COVER		1	
7.14	TE300.372.2-03	LOCK WASHER		5	
7.15	GBT5786-M10X1.25X35-8.8-A2L	HEXAGON BOLT		10	

TE354. 372A-1 (cont'd.)

No.	Part No.	Description	Version	QTY.	Remark
8	TE354.372A.1	LEFT SHORT HALF SHAFT ASSEMBLY		1	
8.1	GBT3452.1-103X3.55G	O-RING		1	
8.2	TE300.372.1-02	FINAL TRANSMISSION DRIVING GEAR		1	
8.3	GBT3452.1-28.0X3.55G	RUBBER O-SEAL RING		1	
8.4	TE354.372A.1-01	LEFT BEARING SEAT		1	
8.5	GBT276-6307	DEEP GROOVE BALL BEARING		1	
8.6	GBT893.1-80	RETAINER RING		1	
8.7	GBT9877.1-FB52X80X8D	SEAL RING		2	
8.8	FT250.37.208	OIL SEAL COLLAR		1	

TE354. 372A-2



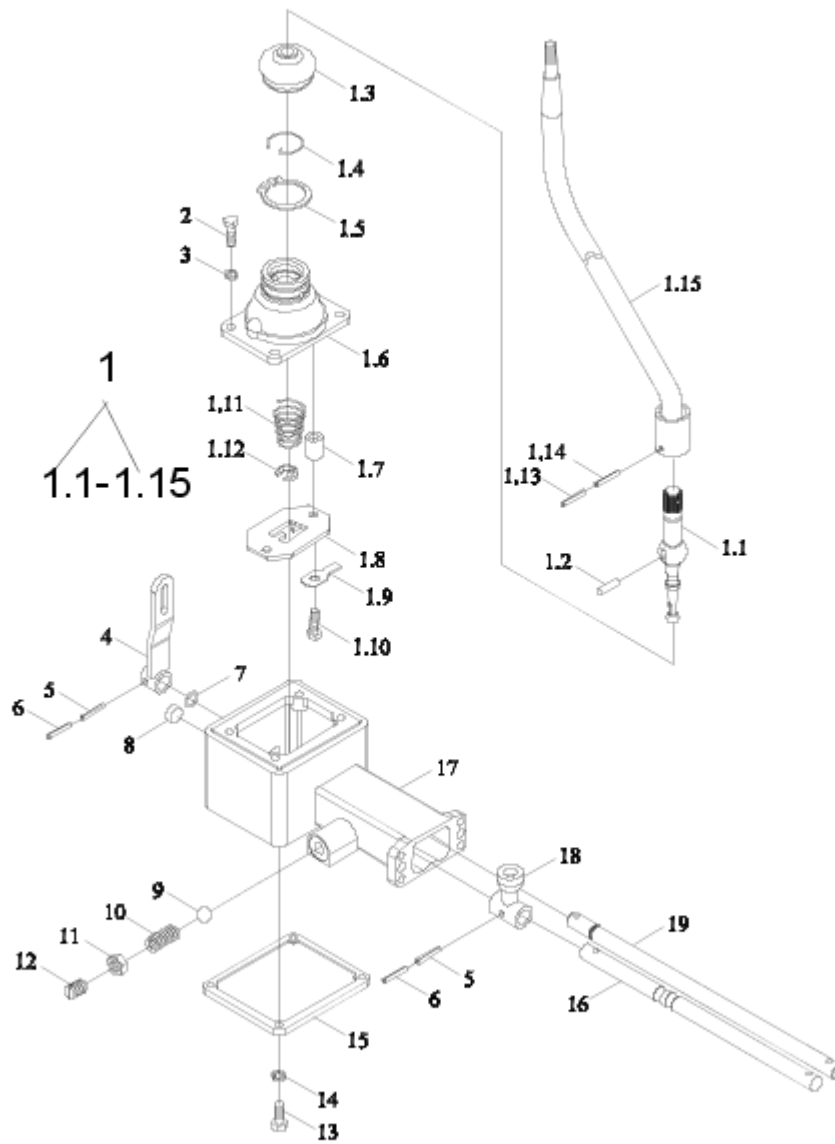
TE354. 372A-2

No.	Part No.	Description	Ver- sion	QTY.	Remark
1	FT250.37.263	DIFFERENTIAL LOCK SPRING		1	
2	TE354.372-02	DIFFERENTIAL LOCK FORK		1	
3	TE250.372F-05	DIFFERENTIAL LOCK DIAL BLOCK		1	
4	GBT3452.1-15.0X2.65G	O-RING		1	
5	TE354.372-03	DIFFERENTIAL LOCK FORK SHAFT		1	
6	GBT879.1-8X40	SPRING COLUMN PIN		1	
7	GBT879.1-5X40	SPRING COLUMN PIN		1	
8	GBT879.1-8X35	SPRING COLUMN PIN		1	
9	GBT879.1-5X35	SPRING COLUMN PIN		1	
10	GBT91-3.2X16-A0P	SPLIT PIN		2	
11	GBT95-8-A0P	FLAT WASHER		2	
12	TE250.372F-02	RETAINER PLATE		1	
13	GBT93-10-A0P	STANDARD SPRING WASHER		2	
14	GBT5783-M10X30-8.8-A3L	HEXAGON BOLT		2	
15	GBT93-8-A0P	STANDARD SPRING WASHER		1	
16	GBT5783-M8X20-8.8-A2L	HEXAGON BOLT		1	
17	TE250.372F-07	DIFFERENTIAL LOCK PEDAL		1	
18	TE250.372F.3	DIFFERENTIAL LOCK FORK SHAFT STEERING HUB WELDMENT		1	
19	TE354.372-01	DIFFERENTIAL LOCK CON- TROL PULL ROD		1	
20	GBT95-16-A0P	FLAT WASHER		1	
21	TE250.372F.2	DIFFERENTIAL LOCK STEERING HUB SHAFT WELDMENT		1	
22	TE354.372.1	DIFFERENTIAL LOCK ROCKER WELDMENT		1	
23	GBT97.1-20-A0P	FLAT WASHER		1	
24	GBT894.1-20	CIRCLIP FOR SHAFT		1	
25	GBT67-M6X16-4.8-A2L	SLOTTED PAN HEAD SCREW		1	
26	GBT93-6-A0P	STANDARD SPRING WASHER		1	

TE354. 372A-2 (cont'd.)

No.	Part No.	Description	Version	QTY.	Remark
27	Q72220	PLUG PIECE		1	
28	TE300.372-01	FINAL TRANSMISSION DRIVEN GEAR		2	
29	GBT858-52	WASHER		2	
30	GBT812-M52X1.5	ROUND NUT		2	
31	TE300.372-05	RIGHT JAW		1	
32	FT250.37.264	LOCKING NUT		1	
33	TE250.212-05	LOW CARBON STEEL WIRE		1	
34	TE300.372-04	LEFT JAW		1	
35	TE250.372F-06	DUSTPROOF SLEEVE		1	

TE354. 373-1



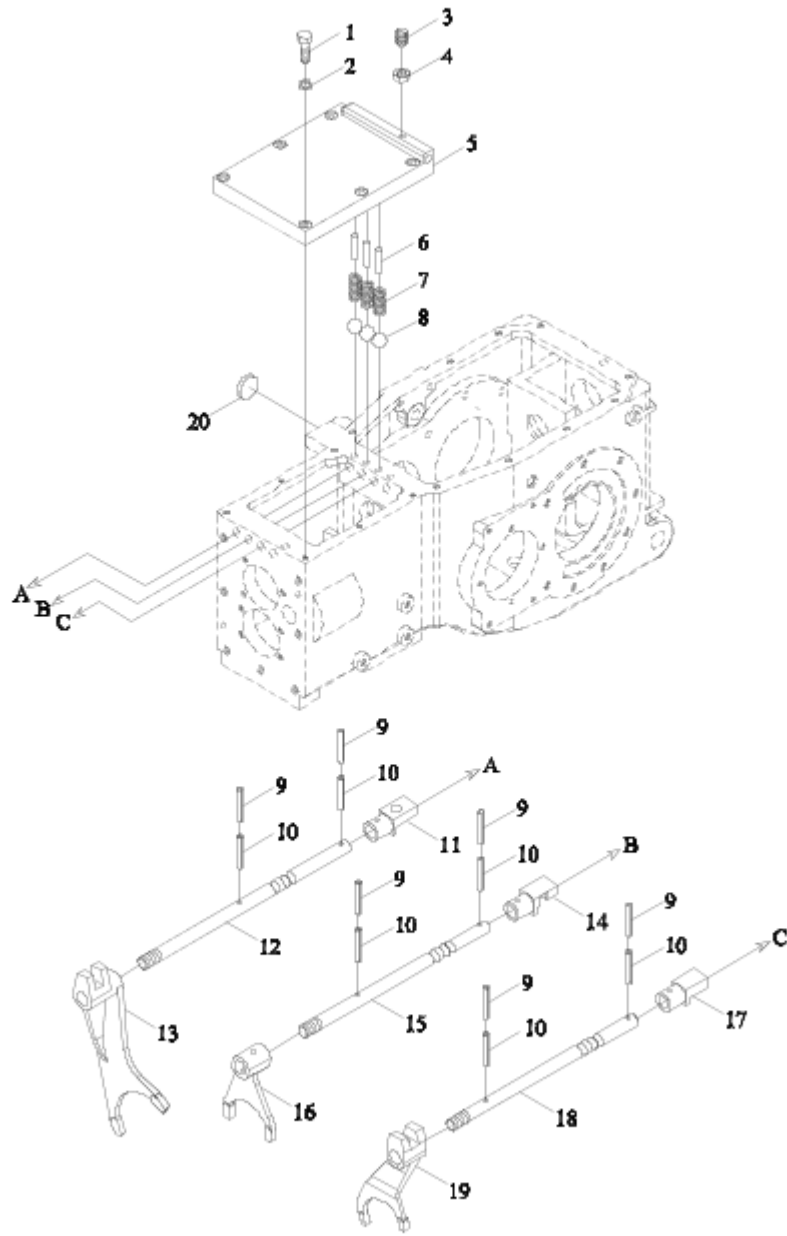
TE354. 373-1

No.	Part No.	Description	Version	QTY.	Remark
1	TE250.373F.1.1	MAIN GEARSHIFT CONTROL COVER ASSEMBLY		1	
1.1	TE250.373F.1.1-01a	MAIN GEARSHIFT CONTROL ROD		1	
1.1	GBT5782-M8X40-8.8-A2L	HEXAGON BOLT		2	
1.2	GBT119.1-6h8X40-A0P	COLUMN PIN		1	
1.3	FT800.37.138	GEARLEVER DUSTPROOF BONNET		1	
1.4	FT250.37.248	STEEL WIRE RETAINER RING		1	
1.5	GBT894.1-45	CIRCLIP FOR SHAFT		1	
1.6	FT250.37.211	MAIN GEARLEVER SEAT		1	
1.7	TE250.373F.1.1-03	PAD BLOCK		2	
1.8	TE250.373F.1.1-02	GEARLEVER LOCATING PLATE		1	
1.9	GBT854-8	STOPPING WASHER		2	
1.11	FT250.37.183	GEARLEVER SPRING		1	
1.12	FT300.37.164	GEARLEVER SPRING RETAINER RING		1	
1.13	GBT879.1-5X35	SPRING COLUMN PIN		1	
1.14	GBT879.1-8X35	SPRING COLUMN PIN		1	
1.15	TE250.373F.1.1.1	MAIN GEARLEVER WELDMENT		1	
2	GBT5783-M8X25-8.8-A2L	HEXAGON BOLT		4	
3	GBT93-8-A0P	STANDARD SPRING WASHER		4	
4	TE250.373F.1.2	AUXILIARY GEARSHIFT LOWER CONTROL ROCKER WELDMENT		1	
5	GBT879.1-6X24	SPRING COLUMN PIN		2	
6	GBT879.2-3.5X24	SPRING COLUMN PIN		2	
7	GBT3452.1-12.5X1.80G	O-RING		1	
8	Q72218	PLUG PIECE		1	
9	GBT308-9.5-G200-b	STEEL BALL		1	
10	FT704.42B.163	FORK SHAFT LOCATING SPRING		1	
11	GBT6172.1-M12-04-A3L	HEXAGON THIN NUT		1	
12	GBT73-M12X25-14H-A3L	SLOTTED LOCKING SCREW		1	

TE354. 373-1 (cont'd.)

No.	Part No.	Description	Version	QTY.	Remark
13	GBT5783-M6X20-8.8-A2L	HEXAGON BOLT		4	
14	GBT93-6-A0P	STANDARD SPRING WASHER		4	
15	TE250.373F.1-03	SIDE-MOUNTED CONTROL LOWER COVER		1	
16	TE250.373F.1-05	MAIN GEARSHIFT CON- TROL TRANSFER ROD		1	
17	TE354.373.1-01	SIDE-MOUNTED CONTROL UPPER COVER		1	
18	TE250.373F.1-02	MAIN GEARSHIFT OUTER CONTROL FORK HEAD		1	
19	TE250.373F.1-04	AUXILIARY GEARSHIFT CONTROL TRANSMISSION ROD		1	

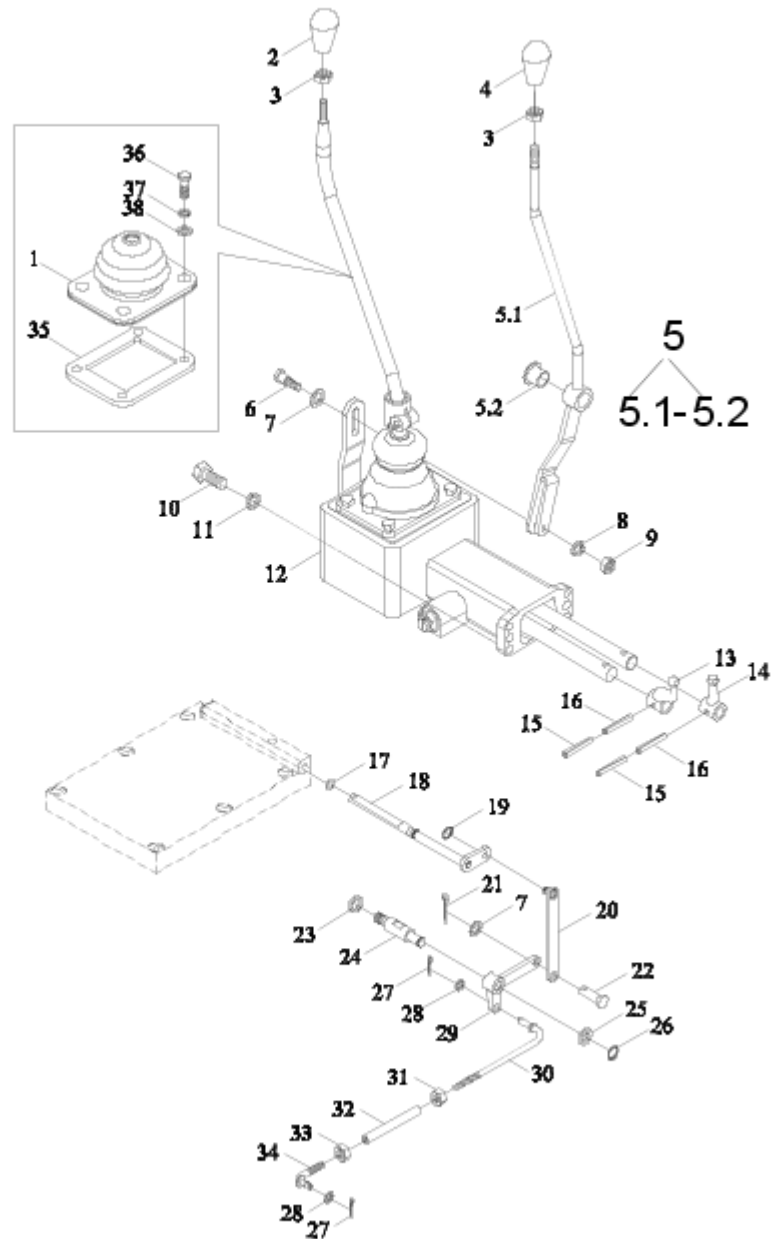
TE354. 373-2



TE354. 373-2

No.	Part No.	Description	Version	QTY.	Remark
1	GBT5783-M8X40-8.8-A2L	HEXAGON BOLT		6	
2	GBT93-8-A0P	STANDARD SPRING WASHER		6	
3	FT250.37.249	FIXING SCREW		1	
4	GBT6173-M8X1-05-A2L	HEXAGON THIN NUT		1	
5	TE250.373F-01	GEARBOX INTERLOCK PRESSURE COVER		1	
6	FT250.37.250	FIXING PIN		3	
7	TE354.373A-01	SELF LOCKING SPRING		3	
8	GBT308-8.731-G200-b	STEEL BALL		3	
9	GBT879.1-3X24	SPRING COLUMN PIN		6	
10	GBT879.1-5X24	SPRING COLUMN PIN		6	
11	TE250.373F-11	HIGH AND LOW GEAR DI- AL BLOCK		1	
12	TE354.373-03	HIGH AND LOW GEAR FORK SHAFT		1	
13	FT250.37.145	HIGH AND LOW GEAR FORK		1	
14	TE250.373F-10	III-IVGEAR DIAL BLOCK		1	
15	TE354.373-02	III-IV FORK SHAFT		1	
16	FT250.37.143	III-IV FORK		1	
17	TE250.373F-09	I-II GEAR DIAL BLOCK		1	
18	TE354.373-01	I-II GEAR FORK SHAFT		1	
19	TE300.373-01	I-II GEAR FORK		1	
20	Q72114	PLUG PIECE		1	

TE354. 373-3



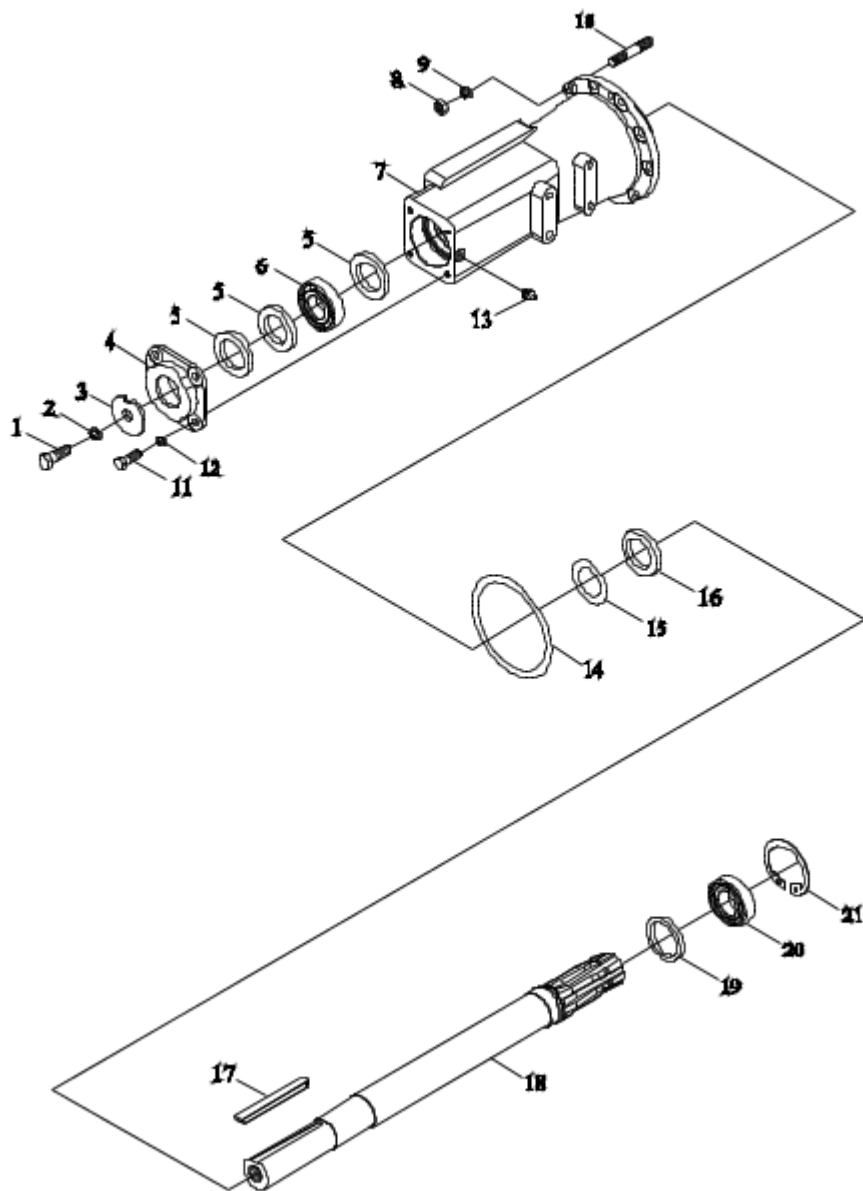
TE354. 373-3

No.	Part No.	Description	Version	QTY.	Remark
1	TE250.373F-15	SHIELD		1	
2	TE250.371G.2.2	MAIN GEARSHIFT CONTROL HANDLE		1	
3	GBT6170-M10-8-A3L	HEXAGON NUT, TYPE-1		1	
4	FT250.37.037	AUXILIARY GEARSHIFT CONTROL HANDLE		1	
5	TE354.373.2	AUXILIARY GEARSHIFT UPPER CONTROL ROD PRESSURE UNIT		1	
5.1	TE354.373.2.1	AUXILIARY GEARSHIFT UPPER CONTROL ROD WELDMENT		1	
5.2	TE254.582H.11-01	NYLON SLEEVE		1	
6	TE250.373F-13	STEP BOLT		1	
7	GBT95-8-A0P	FLAT WASHER		1	
8	GBT93-6-A0P	STANDARD SPRING WASHER		1	
9	GBT6170-M6-8-A2L	HEXAGON NUT, TYPE-1		1	
10	GBT5783-M8X25-8.8-A2L	HEXAGON BOLT		4	
11	GBT93-8-A0P	STANDARD SPRING WASHER		4	
12	TE354.373.1	SIDE-MOUNTED CONTROL MECHANISM ASSEMBLY		1	
13	TE250.373F-02	MAIN GEARSHIFT CONTROL INNER FORK HEAD		1	
14	TE250.373F-03	AUXILIARY GEARSHIFT CONTROL INNER DIAL HEAD		1	
15	GBT879.2-3.5X24	SPRING COLUMN PIN		2	
16	GBT879.1-6X24	SPRING COLUMN PIN		2	
17	GBT3452.1-8.75X1.80G	O-RING		1	
18	TE250.373F.2	INTERLOCKING SHAFT WELDMENT		1	
19	GBT896-6	SPLIT RETAINER RING		1	
20	TE250.373F.7	PULL PLATE WELD		1	
21	GBT91-3.2X20-A0P	SPLIT PIN		1	
22	GBT882-B8X16-A0P	PIN SHAFT		1	
23	GBT93-12-A0P	STANDARD SPRING WASHER		1	
24	TE250.373F-14	STUD		1	

TE354. 373-3 (cont'd.)

No.	Part No.	Description	Version	QTY.	Remark
25	GBT848-12-A0P	SMALL WASHER		1	
26	GBT894.1-12	CIRCLIP FOR SHAFT		1	
27	GBT91-3.2X25-A0P	SPLIT PIN		2	
28	GBT95-10-A0P	FLAT WASHER		2	
29	TE250.373F.4	INTERLOCKING ROTARY SLEEVE WELDMENT		1	
30	TE250.373F.6	PULL ROD WELDMENT		1	
31	GBT6171-M10X1-8-A2L	HEXAGON NUT, TYPE-1		1	
32	TE250.433C-09	CONNECTING ROD		1	
33	GBT6171-M10X1-LH-8-A2L	HEXAGON NUT, TYPE-1		1	
34	TE250.433C.14	BRAKE SHORT TIE ROD WELD (II)		1	
35	TE250.373F-12	PRESSURE PLATE		1	
36	GBT5783-M5X20-8.8-A2L	HEXAGON BOLT		4	
37	GBT93-5-A0P	STANDARD SPRING WASHER		4	
38	GBT95-5-A0P	FLAT WASHER		4	

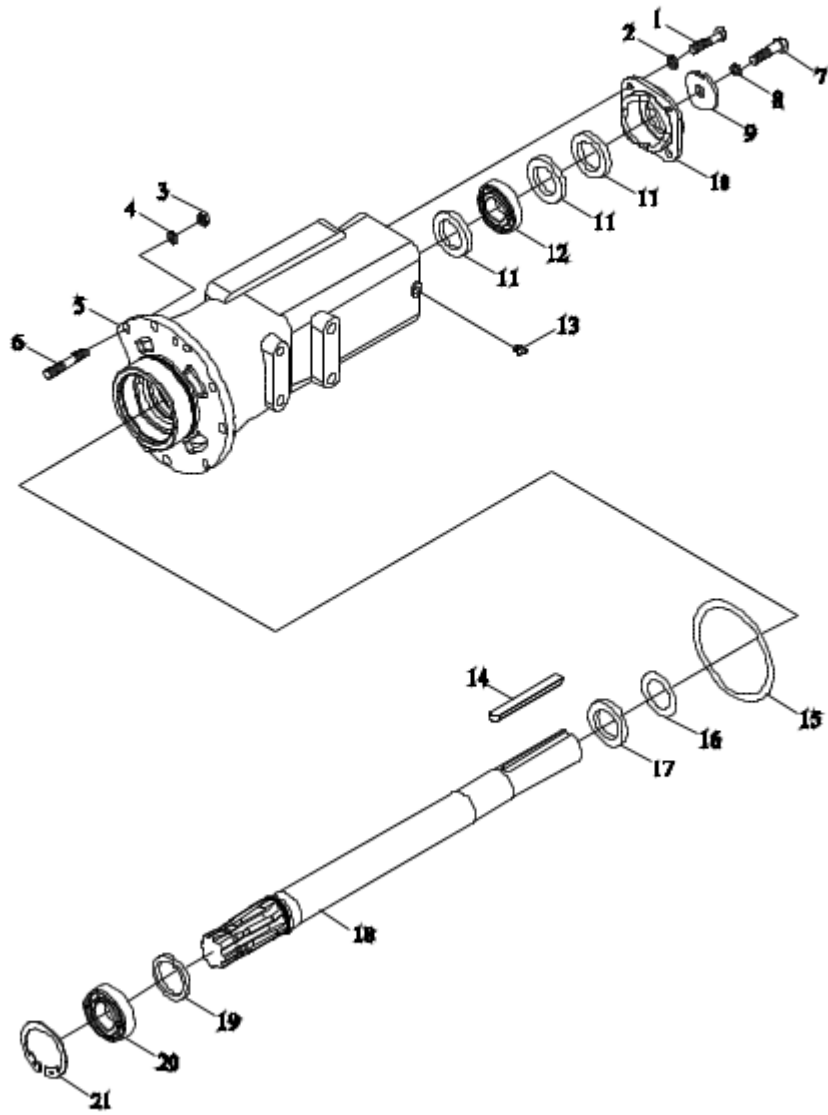
TE300. 391



TE300.391

No.	Part No.	Description	Version	QTY.	Remark
1	GBT5783-M16X35-8.8-A3L	HEXAGON BOLT		1	
2	GBT93-16-A0P	STANDARD SPRING WASHER		1	
3	FT250.37.216	RETAINER RING		1	
4	FT250.37.214	DRIVING SHAFT BEARING COVER		1	
5	GBT9877.1-FB50X72X8D	SEAL RING		3	
6	GBT276-6210	DEEP GROOVE BALL BEARING		1	
7	TE300.391-02	LEFT DRIVING SHAFT SLEEVE		1	
8	GBT6171-M12X1.25-10-A2L	HEXAGON NUT, TYPE-1		8	
9	GBT93-12-A0P	STANDARD SPRING WASHER		8	
10	GBT899-AM12-M12X1.25X35-10.9-A 3L	DOUBLE END STUDS		8	
11	GBT5783-M10X25-8.8-A3L	HEXAGON BOLT		4	
12	GBT93-10-A0P	STANDARD SPRING WASHER		4	
13	JBT7940.1-M10X1	STRAIGHT FORCED FILLING OIL CUP		1	
14	GBT3452.1-112X3.55G	RUBBER O-SEAL RING		1	
15	FT250.37.242	OIL SEAL SPACER RING		1	
16	GBT9877.1-FB55X75X8D	SEAL RING		1	
17	FT250.37.215	FLAT KEY		1	
18	TE300.391-01	DRIVING SHAFT		1	
19	FT250.37.218	BEARING RETAINER RING		1	
20	GBT276-6211	DEEP GROOVE BALL BEARING		1	
21	GBT893.1-100	CIRCLIPS FOR HOLE		1	

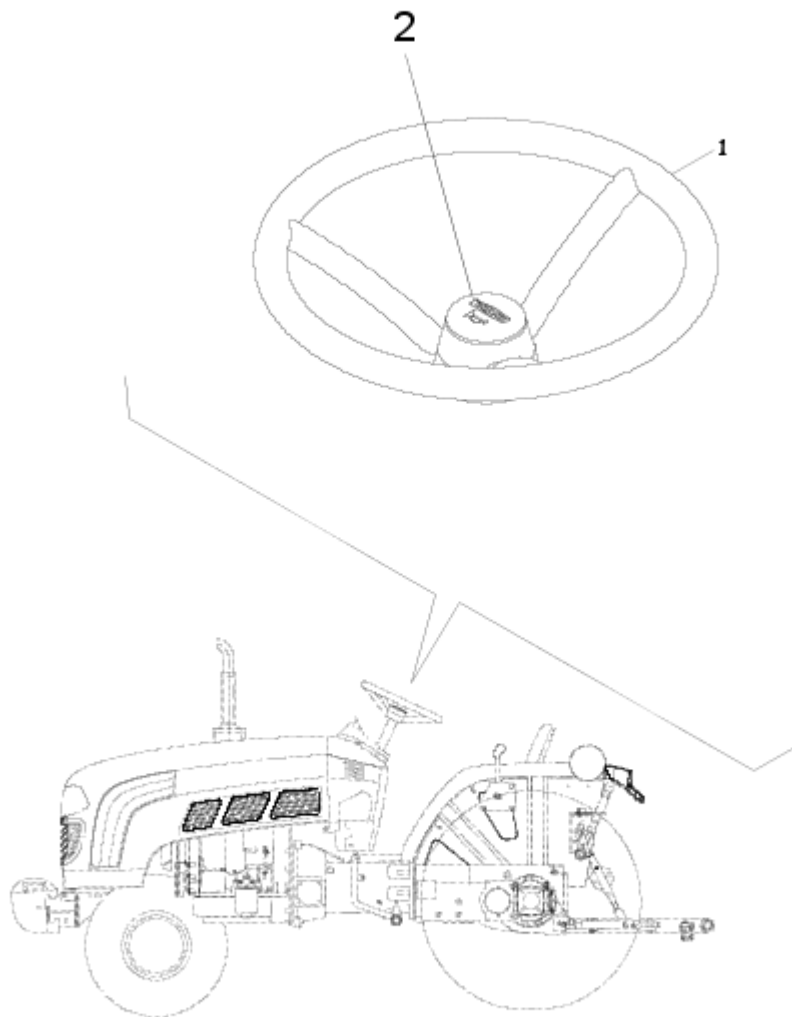
TE300. 392



TE300.392

No.	Part No.	Description	Version	QTY.	Remark
1	GBT5783-M10X25-8.8-A3L	HEXAGON BOLT		4	
2	GBT93-10-A0P	STANDARD SPRING WASHER		4	
3	GBT6171-M12X1.25-10-A2L	HEXAGON NUT, TYPE-1		8	
4	GBT93-12-A0P	STANDARD SPRING WASHER		8	
5	TE300.392-01	RIGHT DRIVING SHAFT SLEEVE		1	
6	GBT899-AM12-M12X1.25X35-10.9-A 3L	DOUBLE END STUDS		8	
7	GBT5783-M16X35-8.8-A3L	HEXAGON BOLT		1	
8	GBT93-16-A0P	STANDARD SPRING WASHER		1	
9	FT250.37.216	RETAINER RING		1	
10	FT250.37.214	DRIVING SHAFT BEARING COVER		1	
11	GBT9877.1-FB50X72X8D	SEAL RING		3	
12	GBT276-6210	DEEP GROOVE BALL BEARING		1	
13	JBT7940.1-M10X1	STRAIGHT FORCED FILLING OIL CUP		1	
14	FT250.37.215	FLAT KEY		1	
15	GBT3452.1-112X3.55G	RUBBER O-SEAL RING		1	
16	FT250.37.242	OIL SEAL SPACER RING		1	
17	GBT9877.1-FB55X75X8D	SEAL RING		1	
18	TE300.391-01	DRIVING SHAFT		1	
19	FT250.37.218	BEARING RETAINER RING		1	
20	GBT276-6211	DEEP GROOVE BALL BEARING		1	
21	GBT893.1-100	CIRCLIPS FOR HOLE		1	

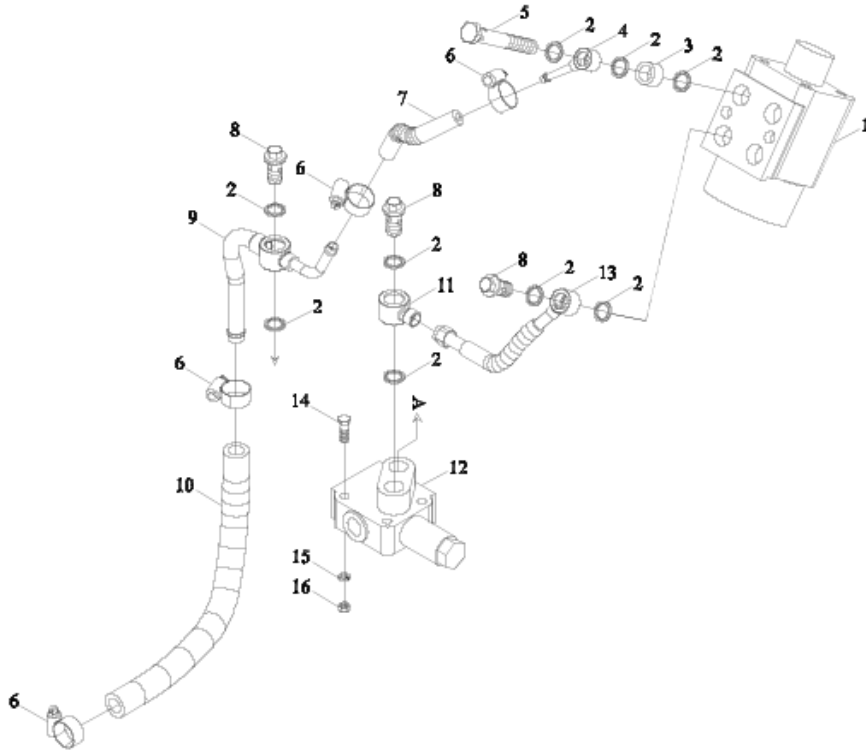
TE250. 401A



TE250. 401A

No.	Part No.	Description	Ver- sion	QTY.	Remark
1	TE250.401A	STEERING WHEEL ASSEMBLY		1	
2	TE250.401A.1	COVER OF STEERING WHEEL		1	

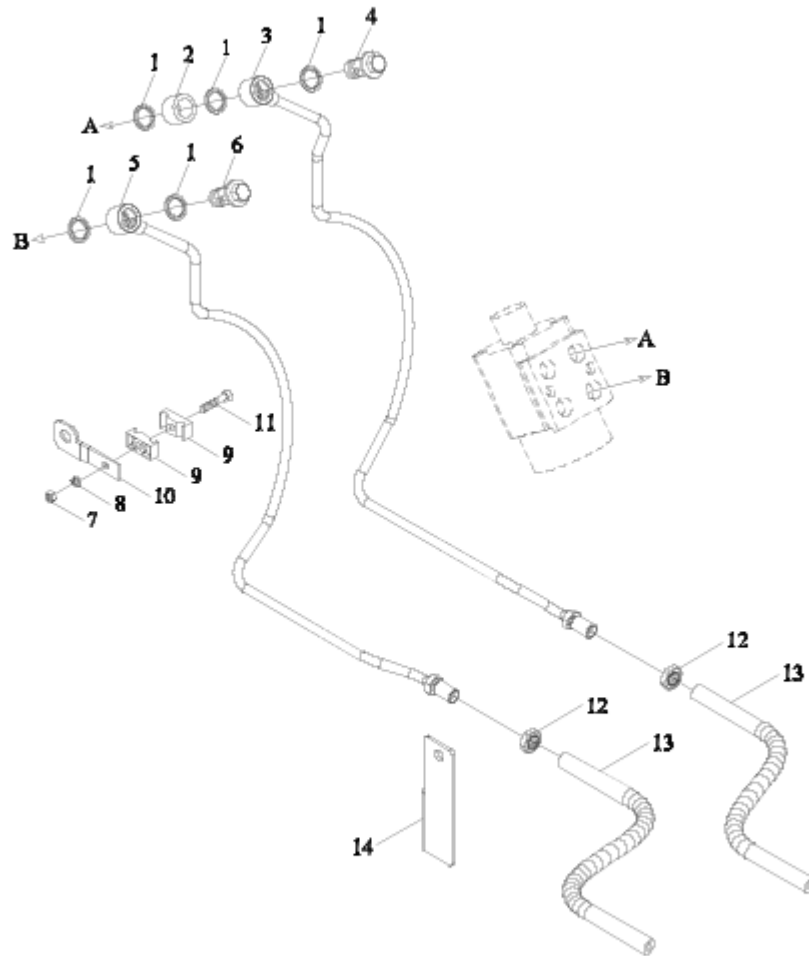
TE354. 402-1



TE354. 402-1

No.	Part No.	Description	Version	QTY.	Remark
1	FT254.40.028	HYDRAULIC STEERING MECHANISM ASSEMBLY		1	
2	JBT982-20	COMBINED SEAL GASKET		9	
3	TH354.402-03	SPACER BUSH		1	
4	TE354.402.1	REDIRECTOR OIL RETURN PIPE WELDMENT		1	
5	TH354.402-02	HOLLOW BOLT M20X1.5		1	
6	Q67627	B-TYPE WORM TRANSMISSION HOSE CLAMP		4	
7	TE254.402C-01	OIL RETURN RUBBER HOSE		1	
8	FT254.40.102	HOLLOW BOLT		3	
9	TE354.402.2a	SINGLE STEADY VALVE RETURN PIPE WELDMENT		1	
10	TE354.402-01a	OIL RETURN RUBBER HOSE OF SINGLE PATH STABILIZER DIVERTER VALVE		1	
11	TE254.402F-04	CONNECTING JOINT		1	
12	FT254.40.030	SINGLE-WAY STABILIZER DIVERTER VALVE		1	
13	TE254.402F.1a	OIL INLET PIPE OF REDIRECTOR		1	
14	GBT5782-M8X55-8.8-A2L	HEXAGON BOLT		3	
15	GBT93-8-A0P	STANDARD SPRING WASHER		3	
16	GBT6170-M8-8-A2L	HEXAGON NUT, TYPE-1		3	

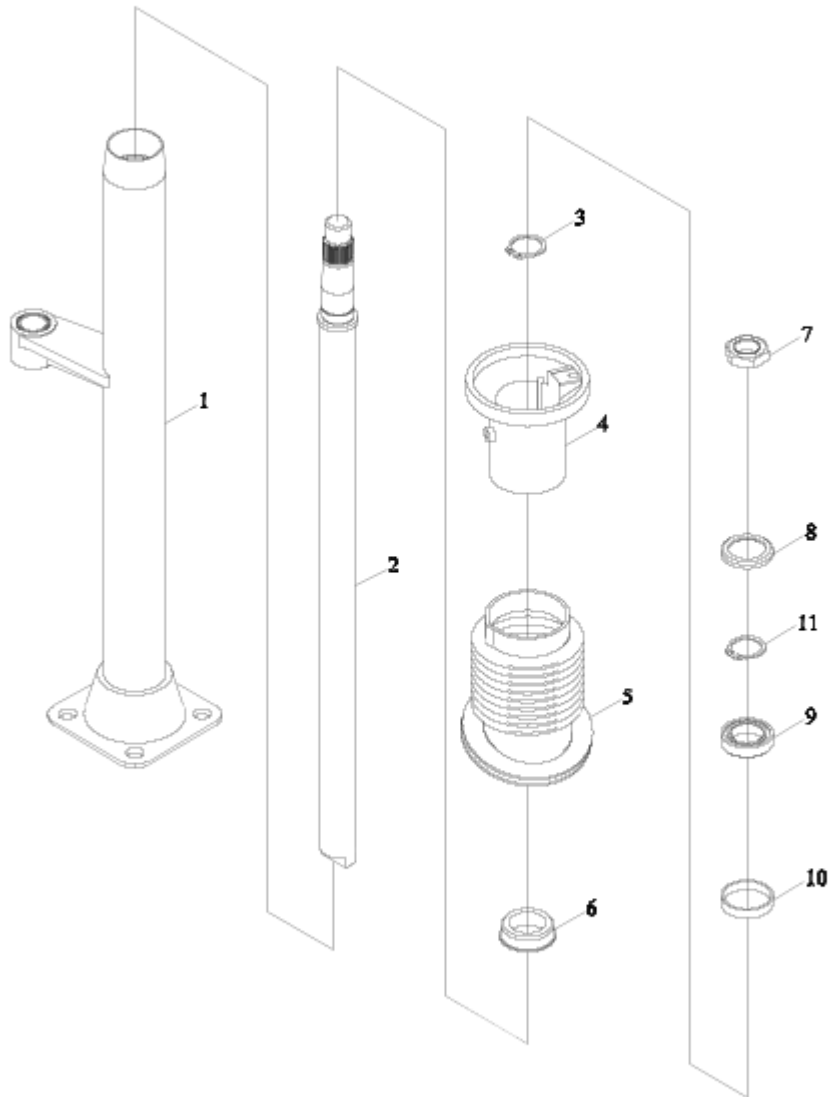
TE354. 402-2



TE354. 402-2

No.	Part No.	Description	Version	QTY.	Remark
1	JBT982-20	COMBINED SEAL GASKET		5	
2	TH354.402-03	SPACER BUSH		1	
3	TE254.402F.5a	REDIRECTOR LEFT OIL OUTLET PIPE WELDMENT		1	
4	TH354.402-02	HOLLOW BOLT M20X1.5		1	
5	TE254.402F.6a	REDIRECTOR RIGHT OIL OUTLET PIPE WELDMENT		1	
6	FT254.40.102	HOLLOW BOLT		1	
7	GBT6170-M8-8-A2L	HEXAGON NUT, TYPE-1		1	
8	GBT93-8-A0P	STANDARD SPRING WASHER		1	
9	FT354.40C.121	DOUBLE PIPE CLAMP		2	
10	TE254.402F-02	OIL PIPE BRACKET2		1	
11	GBT5782-M8X40-8.8-A2L	HEXAGON BOLT		1	
12	GBT6173-M16X1.5-05-A3L	HEXAGON THIN NUT		2	
13	TE354.402.4a	STEERING OIL TUBE AS- SEMBLY I		2	
14	TE254.402F-01	OIL PIPE BRACKET1		1	

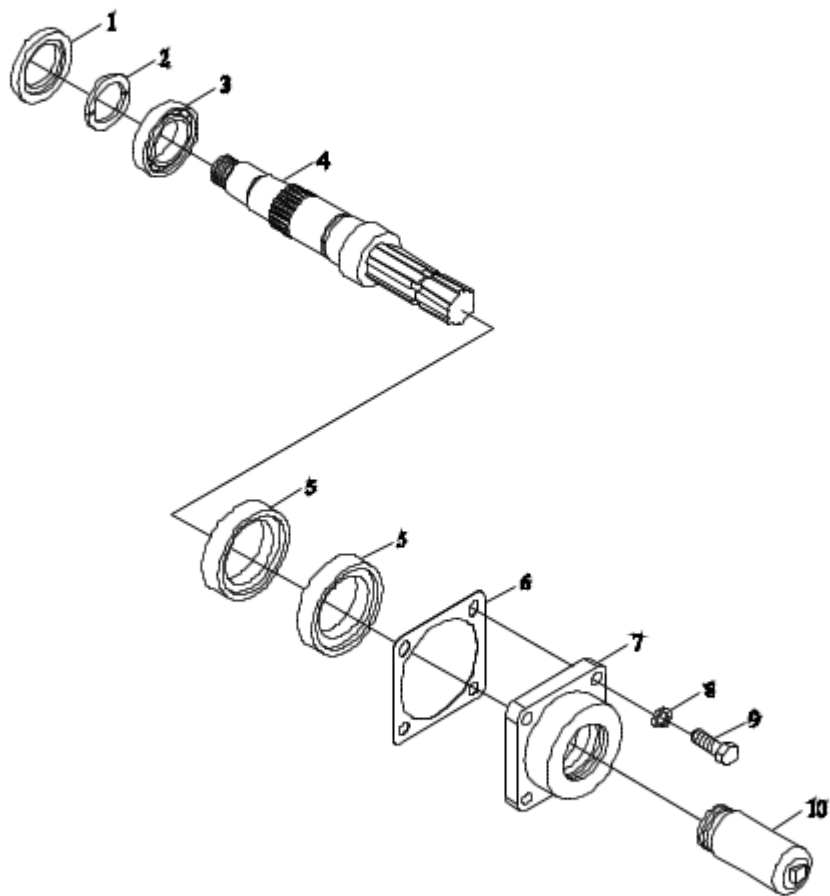
TL01403040000K



TL01403040000K

No.	Part No.	Description	Version	QTY.	Remark
	TE250.403F.1	STEERING PIPE COLUMN ASSEMBLY		1	
1	TE250.403F.1.1	STEERING SLEEVE WELDMENT		1	
2	TE250.403F.1-01	STEERING ROD		1	
3	GBT893.1-32	CIRCLIPS FOR HOLE		1	
4	TC07401010001K	HORN BRUSH SEAT ASSEMBLY		1	
5	TE254.403B-01	STEERING ROD SLEEVE		1	
6	FT254.40.114	SPACER BUSH		1	
7	GBT6173-M16X1.5-05-A3L	HEXAGON THIN NUT		1	
8	FT650.40.172	BEARING RETAINER RING		1	
9	GBT276-61804-2LS	DEEP GROOVE BALL BEARING		1	
10	FT650.40.173	BEARING RETAINER RING 2		1	
11	GBT894.1-20	CIRCLIP FOR SHAFT		1	

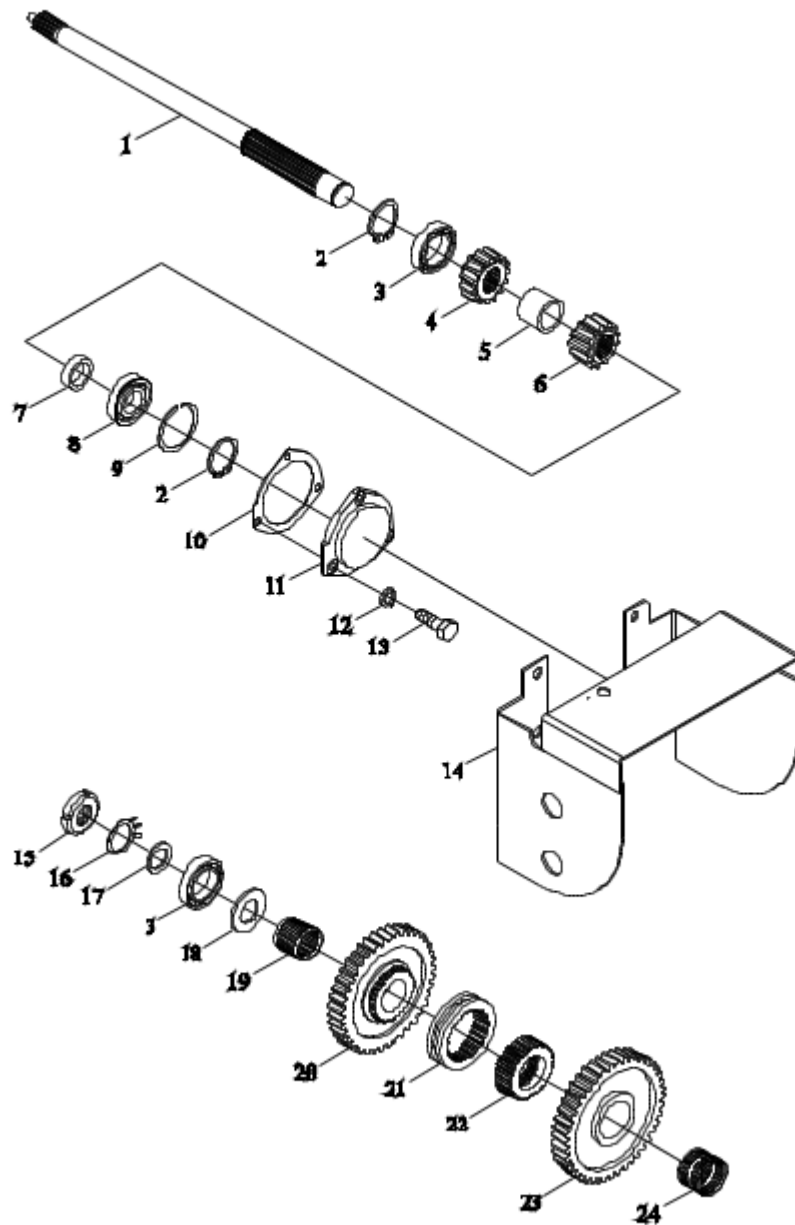
TE300. 411



TE300.411

No.	Part No.	Description	Version	QTY.	Remark
1	TE300.411-03	THRUST RETAINER RING		1	
2	TE300.411-02	THRUST RING		1	
3	GBT276-6308	DEEP GROOVE BALL BEARING		1	
4	TE300.411-01	PTO SHAFT		1	
5	GBT9877.1-FB50X72X8D	SEAL RING		2	
6	FT300.41.136	SEAT LINER		1	
7	FT300.41.101	REAR END COVER I		1	
8	GBT93-10-A0P	STANDARD SPRING WASHER		4	
9	GBT5783-M10X30-8.8-A3L	HEXAGON BOLT		4	
10	TB550.412-02	PTO SHAFT HOOD SHIELD		1	

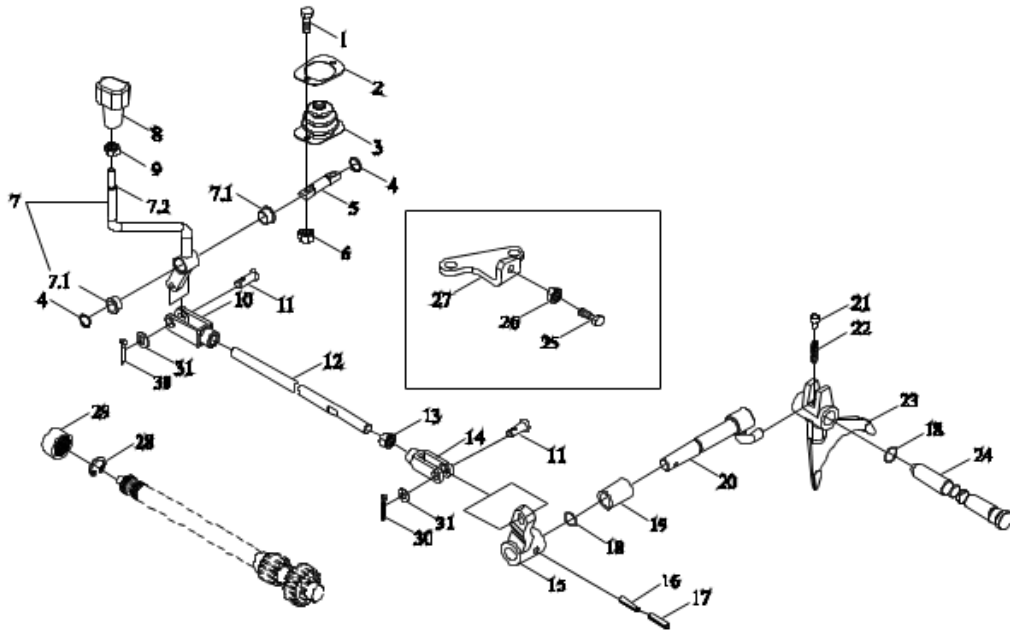
TE354. 412



TE354. 412

No.	Part No.	Description	Ver- sion	QTY.	Remark
1	TE300.412-01	PTO TRANSMISSION SHAFT		1	
2	GBT894.1-30	CIRCLIP FOR SHAFT		1	
3	GBT276-6306	DEEP GROOVE BALL BEARING		1	
4	TE300.412-02	PTO HIGH GEAR DRIVING GEAR		1	
5	TE300.412-03	FRONT SPACER BUSH		1	
6	TE300.412-04	PTO LOW GEAR DRIVING GEAR		1	
7	TE300.412-05	REAR SPACER BUSH		1	
8	GBT276-6306N	DEEP GROOVE BALL BEARING		1	
9	GBT305-72-78.6	THRUST RING		1	
10	FT300.41.135	REAR END COVER II GASKET		1	
11	TE300.412-09	REAR END COVER II		1	
12	GBT93-8-A0P	STANDARD SPRING WASHER		1	
13	GBT5783-M8X20-8.8-A2L	HEXAGON BOLT		1	
14	TE354.412.1	PTO BONNET WELDMENT		1	
15	GBT812-M25X1.5	ROUND NUT		1	
16	GBT858-25	THRUST WASHER FOR ROUND NUT		1	
17	FT300.41.122	WASHER		1	
18	FT300.41C.118	OUTPUT SHAFT FRONT RETAINER RING		1	
19	JBT7918-K35X40X27	NEEDLE AND CARRIER COMBINATION		1	
20	TE300.412-08	PTO HIGH GEAR DRIVEN GEAR		1	
21	FT300.41C.116	PTO SHIFT COLLAR		1	
22	FT300.41C.117	PTO MESHING SEAT		1	
23	TE300.412-06	PTO LOW GEAR DRIVEN GEAR		1	
24	TE300.412-07	NEEDLE BEARING KK40X46X34		1	

TE354. 413



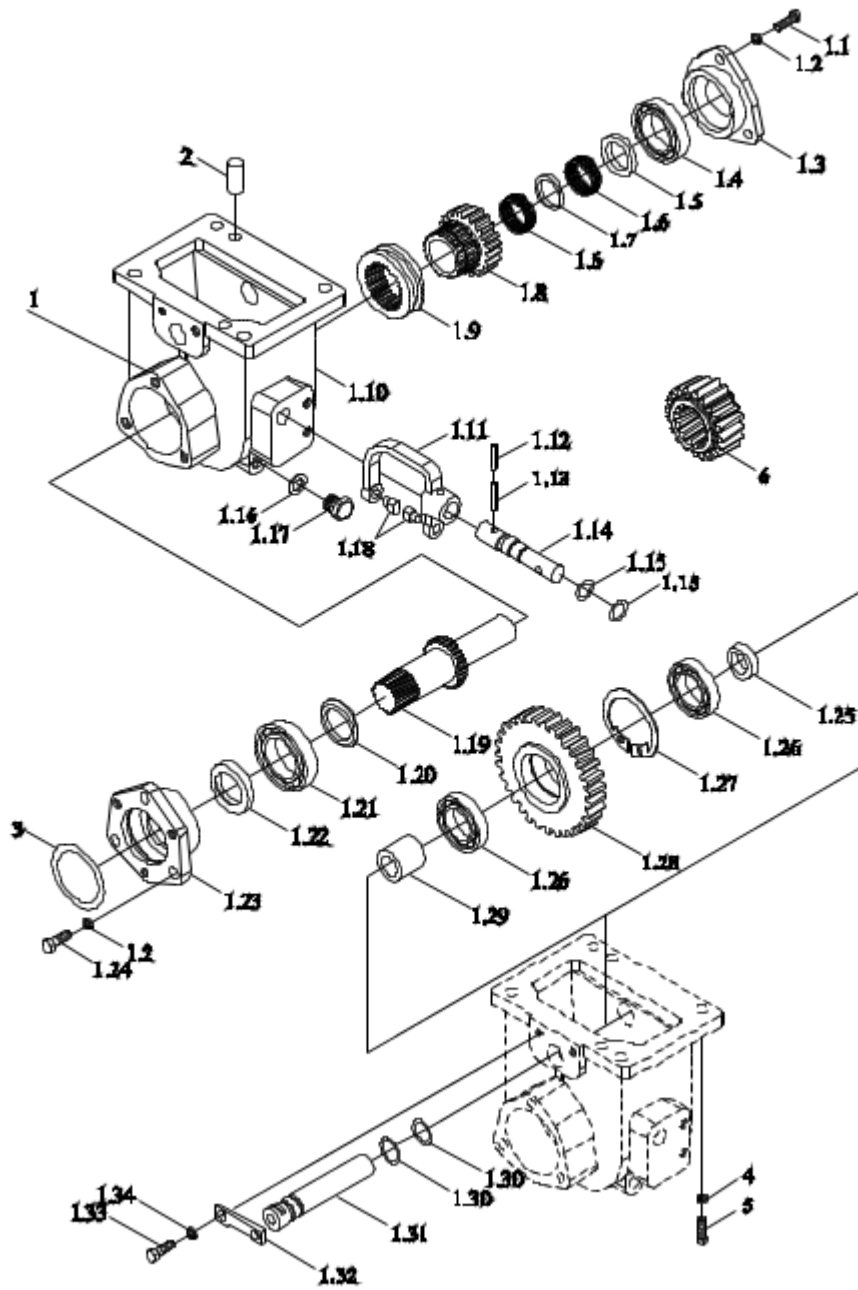
TE354. 413

No.	Part No.	Description	Ver- sion	QTY.	Remark
1	GBT5783-M8X30-8.8-A2L	HEXAGON BOLT		2	
2	TE250.413D-07	PRESSURE PLATE		1	
3	TE250.413D-03	DUSTPROOF SLEEVE		1	
4	GBT894.1-18	CIRCLIP FOR SHAFT		2	
5	TE250.413D-04	FIXING SHAFT		1	
6	GBT6170-M8-8-A2L	HEXAGON NUT, TYPE-1		2	
7	TE354.413.4	CONTROL ROD PRESSURE UNIT		1	
7.1	TE250.413D.2-01	NYLON SLEEVE		2	
7.2	TE354.413.4.1	CONTROL ROD WELDMENT		1	
8	FT250.41.016	PTO GEARSHIFT HANDLE		1	
9	GBT6170-M10-8-A3L	HEXAGON NUT, TYPE-1		1	
10	FT800A.43B.119	LEFT REVOLVING PULL ROD FORK		1	
11	GBT882-B10X30-A0P	PIN SHAFT		2	
12	TE354.413-01	MIDDLE PULL ROD		1	
13	GBT6172.1-M10-04-A3L	HEXAGON THIN NUT		1	
14	FT800A.43B.116	RIGHT REVOLVING PULL ROD FORK		1	
15	TE354.413.3	ROCKER WELDMENT		1	
16	GBT879.1-6X26	SPRING COLUMN PIN		1	
17	GBT879.1-3.5X26	SPRING COLUMN PIN		1	
18	GBT3452.1-11.8X1.80G	RUBBER O-SEAL RING		2	
19	TE300.413-04	SPACER BUSH		1	
20	TE354.413.1	GEARSHIFT DIAL ROD WELDMENT		1	
21	TE250.413D-05	GEARSHIFT SHAFT LOCK PIN		1	
22	FT250.37.148	FORK SHAFT LOCKING SPRING		1	
23	TE300.413-02a	PTO GEARSHIFT FORK		1	
24	TE300.413-03a	GEARSHIFT FORK SHAFT		1	
25	GBT5783-M8X35-8.8-A2L	HEXAGON BOLT		1	
26	GBT6172.1-M8-04-A2L	HEXAGON THIN NUT		1	
27	TE354.413.2-01	LIMIT PLATE		1	
28	GBT893.1-21	CIRCLIPS FOR HOLE		1	
29	FT300.37.136	CONNECTING SLEEVE		1	

TE354. 413 (cont'd.)

No.	Part No.	Description	Version	QTY.	Remark
30	GBT91-3.2X20-A0P	SPLIT PIN		2	
31	GBT97.1-10-A0P	FLAT WASHER		2	

TE254. 421B



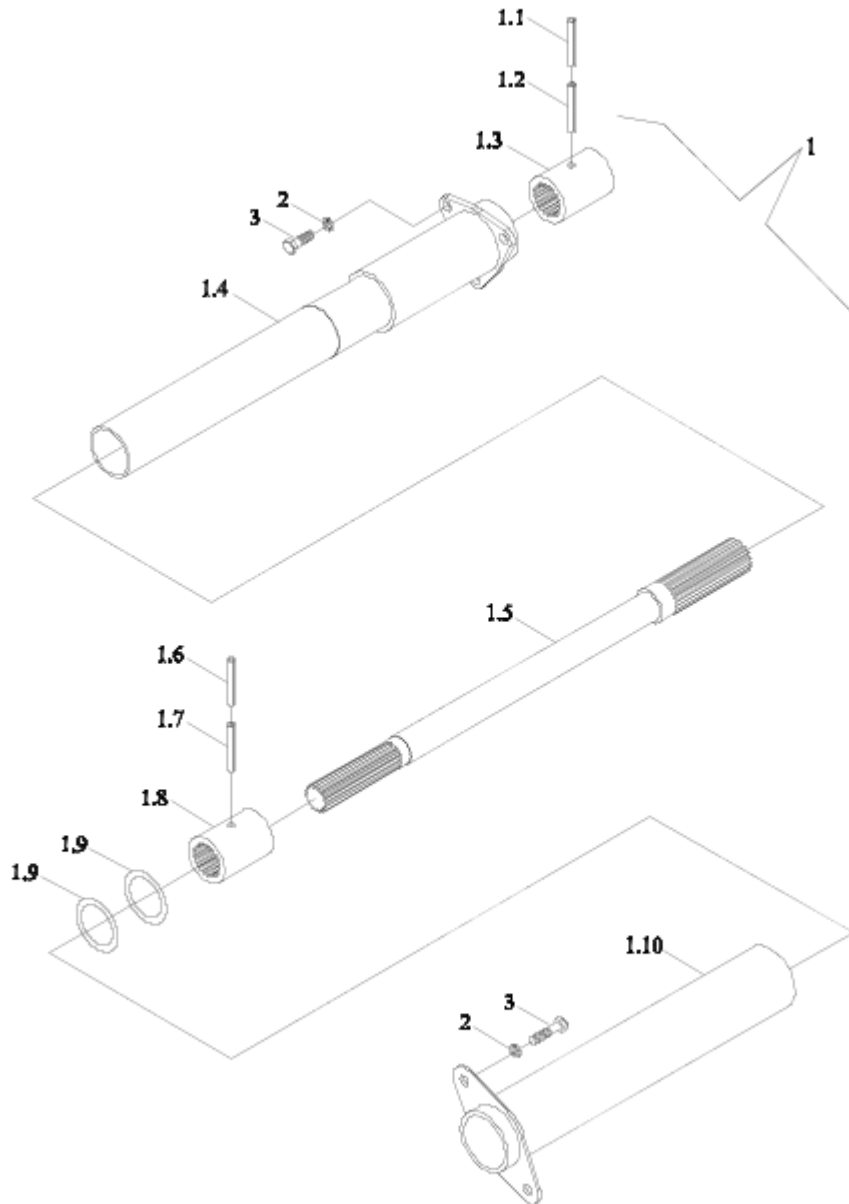
TE254. 421B

No.	Part No.	Description	Version	QTY.	Remark
1	TE254.421B.1	TRANSFER CASE HOUSING ASSEMBLY		1	
1.1	GBT5783-M10X20-8.8-A3L	HEXAGON BOLT		5	
1.2	GBT93-10-A0P	STANDARD SPRING WASHER		8	
1.3	TE254.421A.1-04	REAR BEARING COVER		1	
1.4	GBT276-6305	DEEP GROOVE BALL BEARING		1	
1.5	FT254.42.107	OUTPUT SHAFT REAR THRUST RING		1	
1.6	JBT7918-K25X31X20	NEEDLE AND CARRIER COMBINATION		2	
1.7	FT254.42.108	OUTPUT SHAFT ROLLING BEARING SPACER BUSH		1	
1.8	TE254.421B.1-01a	TRANSFER CASE DRIVEN GEAR		1	
1.9	FT254.42F.103	SHIFT COLLAR		1	
1.10	TE254.421A.1-01	TRANSFER CASE HOUSING		1	
1.11	TE254.421A.1-02	TRANSFER CASE FORK		1	
1.12	GBT879.1-6X24	SPRING COLUMN PIN		1	
1.13	GBT879.1-4X24	SPRING COLUMN PIN		1	
1.14	TE254.421A.1-03	TRANSFER CASE FORK SHAFT		1	
1.15	GBT3452.1-12.5X1.80G	RUBBER O-SEAL RING		2	
1.16	JBT982-12	COMBINED SEAL GASKET		1	
1.17	Q617B12	HEXAGON PLUG		1	
1.18	FT254.42.121	TRANSFER CASE FORK HEAD		2	
1.19	FT254.42.102	OUTPUT SHAFT		1	
1.20	FT254.42.109	OUTPUT SHAFT FRONT THRUST RING		1	
1.21	GBT276-6206	DEEP GROOVE BALL BEARING		1	
1.22	TE254.421.1.1	OIL SEAL		1	
1.23	TE254.421A.1-09	FRONT BEARING COVER		1	
1.24	GBT5783-M10X30-8.8-A3L	HEXAGON BOLT		3	
1.25	TE254.421A.1-10	MIDDLE SHAFT SMALL THRUST RING		1	
1.26	GBT276-6204	DEEP GROOVE BALL BEARING		2	

TE254.421B (cont'd.)

No.	Part No.	Description	Version	QTY.	Remark
1.27	GBT893.1-47	CIRCLIPS FOR HOLE		1	
1.28	TE254.421B.1-02	TRANSFER CASE MIDDLE GEAR		1	
1.29	TE254.421A.1-11	MIDDLE SHAFT BIG THRUST RING		1	
1.30	GBT3452.1-15.0X2.65G	RUBBER O-SEAL RING		2	
1.31	TE254.421A.1-05	MIDDLE SHAFT		1	
1.32	TE254.421A.1-07	MIDDLE SHAFT LOCATING PLATE		1	
1.33	GBT5783-M8X20-8.8-A2L	HEXAGON BOLT		2	
1.34	GBT93-8-A0P	STANDARD SPRING WASHER		2	
2	GBT119.1-10m6X18-A0P	PIN		2	
3	GBT3452.1-53.0X2.65G	O-RING		1	
4	GBT93-10-A0P	SPRING WASHER		4	
5	GBT5783-M10X30-10.9-A3L	BOLT		4	
6	TE300.361-01	FRONT DRIVING GEAR		1	

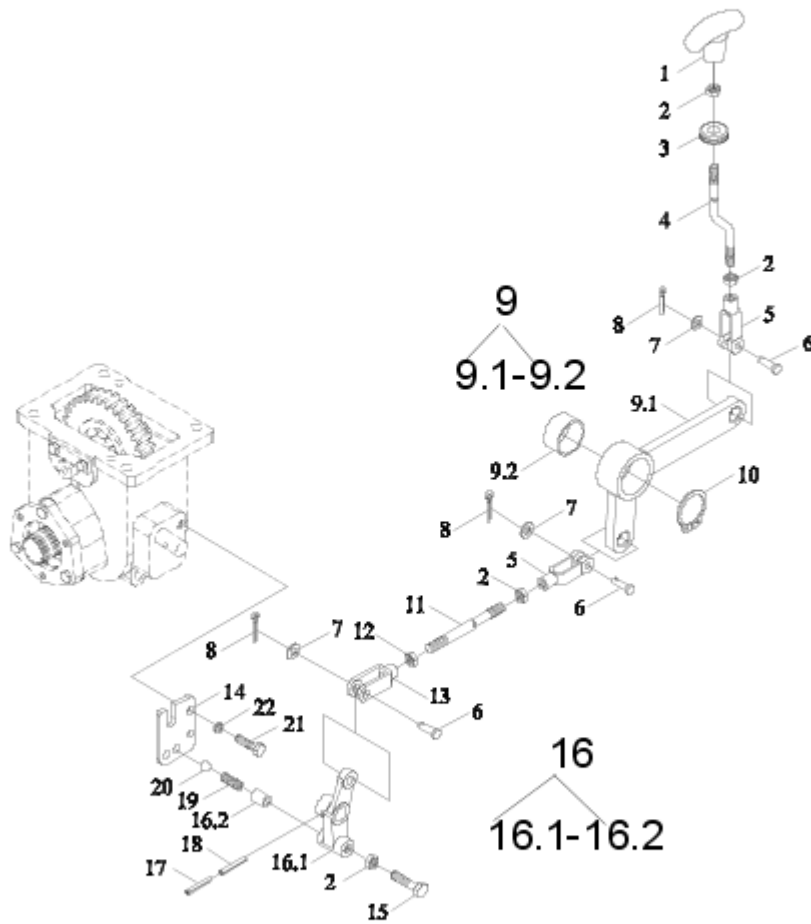
TE354. 422



TE354. 422

No.	Part No.	Description	Version	QTY.	Remark
1	TE354.422.1	TRANSFER CASE TRANSMISSION SHAFT INSTALLATION		1	
1.1	GBT879.1-3.5X40	SPRING COLUMN PIN		1	
1.2	GBT879.1-6X40	SPRING COLUMN PIN		1	
1.3	FT254.42.113	SPLINE BUSH		1	
1.4	TE354.422.1.1	REAR SLEEVE PIPE WELDMENT		1	
1.5	TE354.422.1-01	TRANSFER CASE TRANSMISSION SHAFT		1	
1.6	GBT879.1-3.5X35	SPRING COLUMN PIN		1	
1.7	GBT879.1-6X35	SPRING COLUMN PIN		1	
1.8	FT254.42F.120	FRONT SPLINE BUSH		1	
1.9	GBT3452.1-46.2X3.55G	RUBBER O-SEAL RING		1	
1.10	TE254.422A.1.1	FRONT SLEEVE PIPE WELDMENT		1	
2	GBT93-8-A0P	STANDARD SPRING WASHER		5	
3	GBT5783-M8X16-8.8-A2L	HEXAGON BOLT		5	

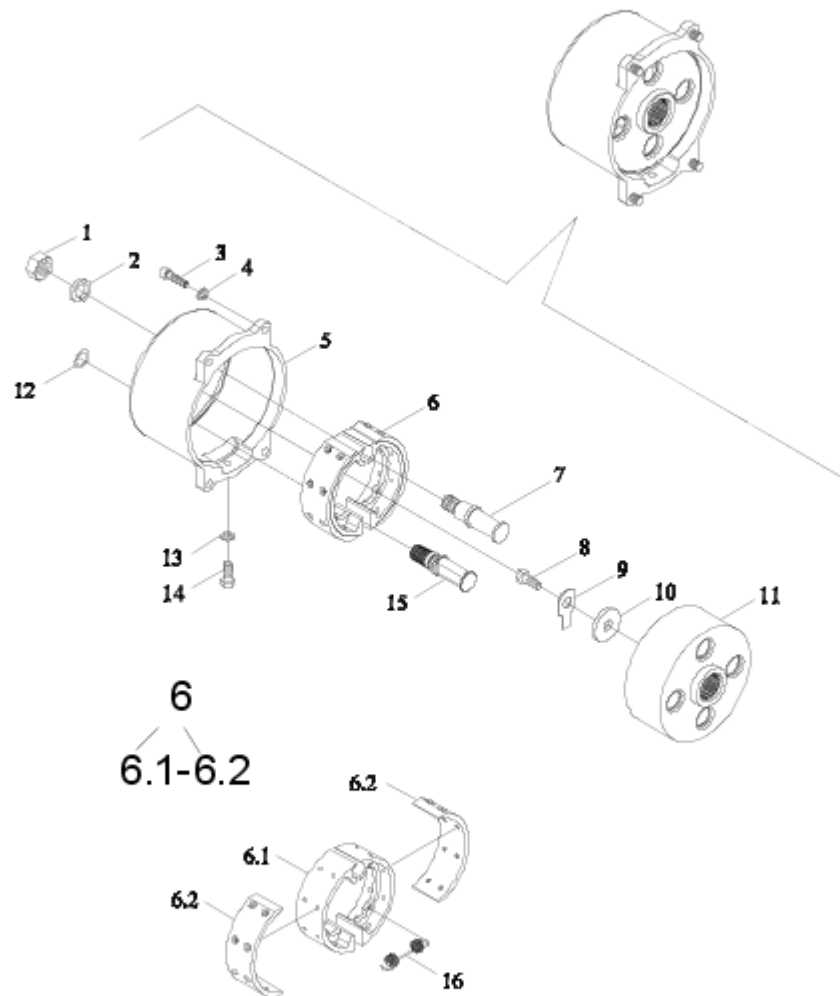
TE254. 423C



TE254. 423C

No.	Part No.	Description	Version	QTY.	Remark
1	FT65.38.051	PULL/PRESS HANDLE		1	
2	GBT6170-M10-8-A3L	NUT		4	
3	TE254.423A-01	THROUGH HARNESS WASHER		1	
4	TE254.423C-01	CONTROL ROD		1	
5	FT300.43.108	PULL ROD FRONT FORK		2	
6	GBT882-B10X30-A0P	PIN SHAFT		3	
7	GBT97.1-10-A0P	FLAT WASHER		3	
8	GBT91-3.2X20-A0P	SPLIT PIN		3	
9	TE254.423C.1	MIDDLE ROCKER UNIT		1	
9.1	TE254.423C.1.1	MIDDLE ROCKER WELDMENT		1	
9.2	TE254.423C.1-01	MIDDLE ROCKER BUSH		1	
10	GBT894.1-20	CIRCLIPS FOR SHAFT		1	
11	TE254.423C-02	MIDDLE PULL ROD		1	
12	GBT6170-M10-LH-8-A3L	NUT		1	
13	FT800A.43B.119	LEFT REVOLVING PULL ROD FORK		1	
14	TE254.423A-05	LOCATING PLATE		1	
15	GBT5783-M10X25-8.8-A3L	BOLT		1	
16	TE254.423A.1	ROCKER UNIT		1	
16.1	TE254.423A.1-01	ROCKER		1	
16.2	FT304.42.135(J)	SLEEVE		1	
17	GBT879.1-3.5X24	PIN		1	
18	GBT879.1-6X24	PIN		1	
19	FT304.42.124	LOCATING SPRING		1	
20	GBT308-8-G100-b	STEEL BALL		1	
21	GBT5783-M8X20-8.8-A2L	BOLT		2	
22	GBT93-8-A0P	WASHER		2	

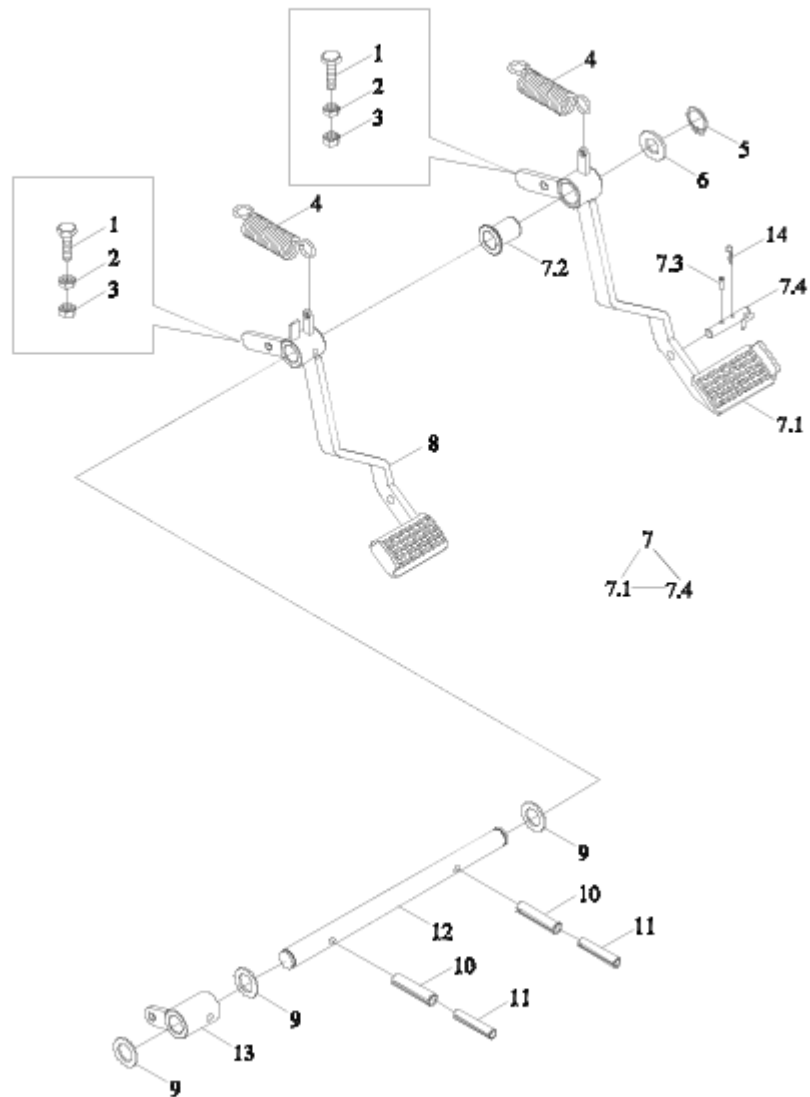
TE354. 431A



TE354. 431A

No.	Part No.	Description	Ver- sion	QTY.	Remark
1	GBT6170-M16-8-A3L	HEXAGON NUT, TYPE-1		1	
2	GBT93-16-A0P	STANDARD SPRING WASHER		1	
3	GBT70.1-M8X20-8.8	INNER HEXAGON SCREW		4	
4	GBT93-8-A0P	STANDARD SPRING WASHER		4	
5	TE354.431A-01	BRAKE HOUSING		1	
6	TE354.431A.1	BRAKE HOOF ASSEMBLY		1	
6.1	TE354.431A.1-01	BRAKE HOOF		1	
6.2	TE354.431A.1-02	BRAKE FRICTION PLATE		2	
7	TE354.431A-02	BRAKE HOOF PIN SHAFT		1	
8	GBT5783-M12X30-8.8-A3L	HEXAGON BOLT		1	
9	FT250.43.104a	STOPPING WASHER		1	
10	FT250.43.101	WASHER		1	
11	TE354.431A-03	BRAKE DRUM		1	
12	GBT3452.1-15.0X2.65G	RUBBER O-SEAL RING		1	
13	JBT982-8	COMBINED SEAL GASKET		1	
14	GBT5783-M8X16-8.8-A2L	HEXAGON BOLT		1	
15	TE354.431A-04	BRAKE CAM		1	
16	TE354.431A-05	RETURN SPRING		2	

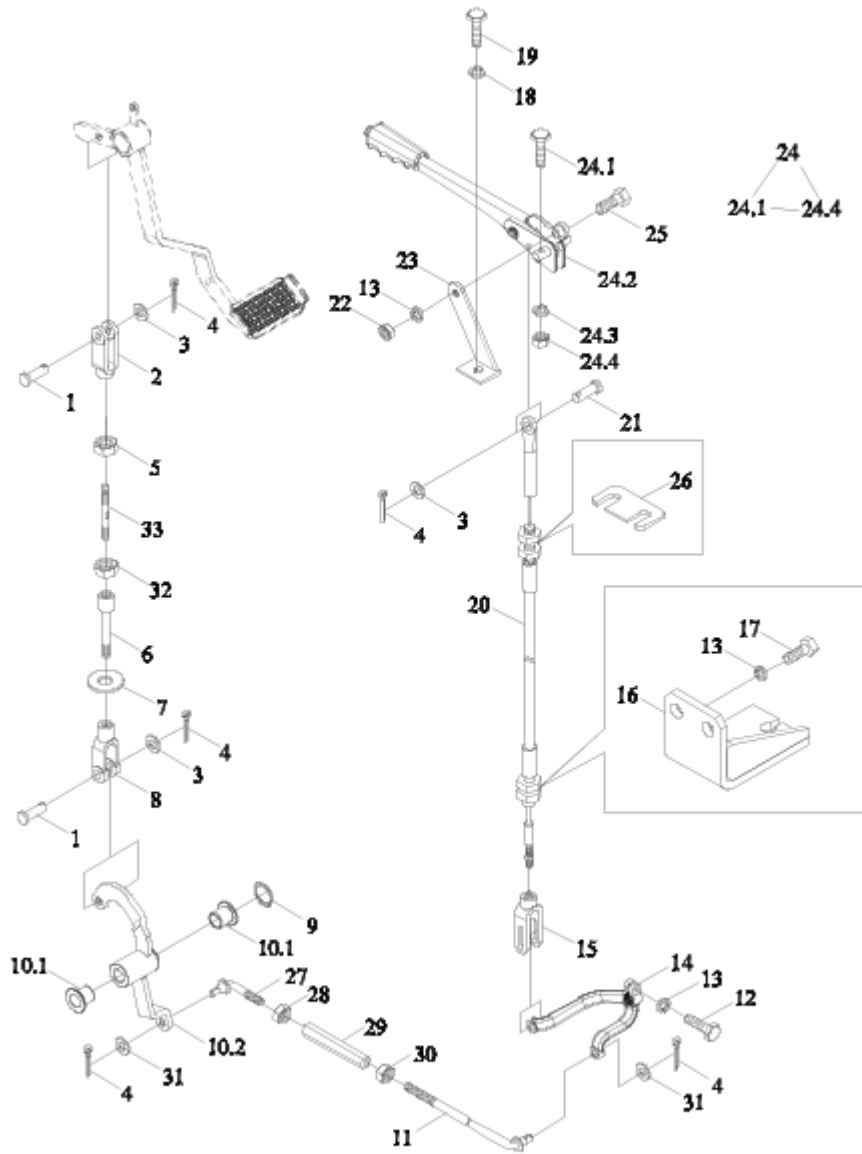
TE354. 433B-1



TE354. 433B-1

No.	Part No.	Description	Version	QTY.	Remark
1	GBT5783-M10X35-8.8-A3L	HEXAGON BOLT		2	
2	GBT6172.1-M10-04-A3L	HEXAGON THIN NUT		2	
3	GBT6170-M10-8-A3L	HEXAGON NUT, TYPE-1		2	
4	TE250.212D-05	CLUTCH PEDAL RETURN SPRING		2	
5	GBT894.1-25	CIRCLIP FOR SHAFT		1	
6	GBT97.1-24-A0P	FLAT WASHER		1	
7	TE250.433C.2	RIGHT BRAKE PEDAL ASSEMBLY		1	
7.1	TE250.433C.2.1	RIGHT BRAKE PEDAL WELDMENT		1	
7.2	TE250.433C.2-01	SLEEVE		1	
7.3	GBT879.1-5X16	SPRING COLUMN PIN		1	
7.4	TE250.433C.2.2	BRAKE CONNECTING LOCK ROD WELDMENT		1	
8	TE250.433C.1a	LEFT BRAKE PEDAL WELDMENT		1	
9	TE250.433C-02	WASHER		3	
10	GBT879.1-10X40	SPRING COLUMN PIN		2	
11	GBT879.1-6X40	SPRING COLUMN PIN		2	
12	TE250.433C-01	ROTARY SHAFT OF BRAKE		1	
13	TE250.433C.3	LEFT ROCKER WELDMENT		1	
14	FT800A.43.401	LOCK PIN		1	

TE354. 433B-2



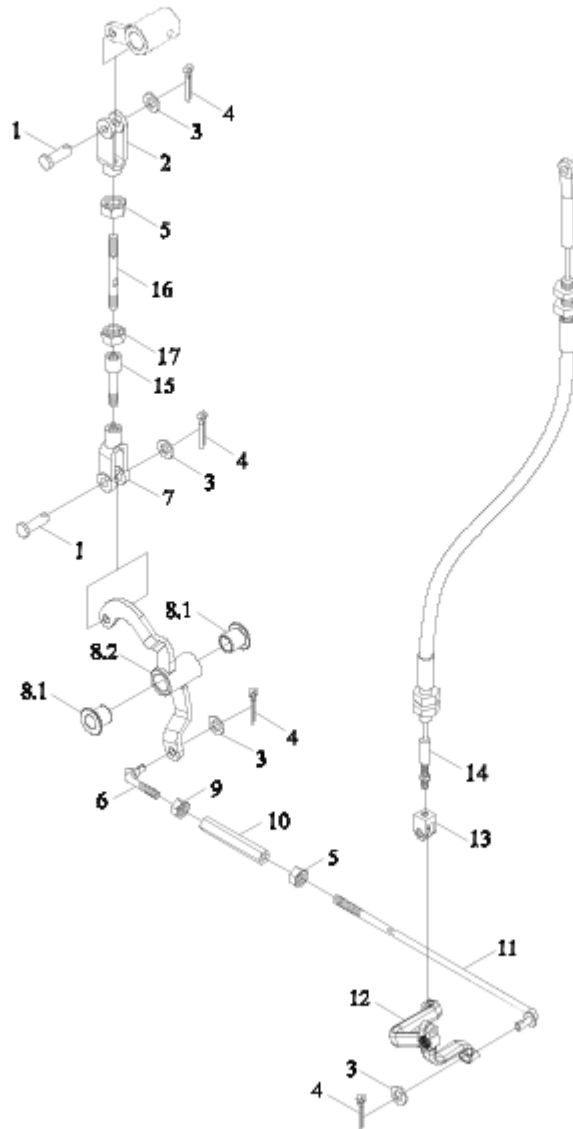
TE354. 433B-2

No.	Part No.	Description	Ver- sion	QTY.	Remark
1	GBT882-B10X30-A0P	PIN SHAFT		2	
2	FT300.43.110	PULL ROD REAR FORK		1	
3	GBT97.1-10-A0P	FLAT WASHER		4	
4	GBT91-3.2X22-A0P	SPLIT PIN		5	
5	GBT6171-M10X1-8-A2L	HEXAGON NUT, TYPE-1		2	
6	TE250.433C-14	BRAKE UPPER CONNECT- ING ROD		1	
7	TE250.433C-08	RUBBER SEALING PLATE		1	
8	FT300.43.108	PULL ROD FRONT FORK		1	
9	GBT894.1-20	CIRCLIP FOR SHAFT		1	
10	TE354.433.6	RIGHT LOWER ROCKER ASSEMBLY		1	
10.1	TE250.433C.4-01	SLEEVE		2	
10.2	TE354.433.6.1	RIGHT LOWER ROCKER WELDMENT		1	
11	TE354.433B.2	RIGHT BRAKE LONG PULL ROD WELDMENT		1	
12	GBT5783-M8X25-8.8-A2L	HEXAGON BOLT		2	
13	GBT93-8-A0P	STANDARD SPRING WASHER		5	
14	TE354.433-02	RIGHT BRAKE ROCKER		1	
15	TE250.433C-11	CONNECTING FORK		1	
16	TE354.433.1	RIGHT SUPPORT WELD		1	
17	GBT6171-M12X1.5-8-A3L	HEXAGON NUT, TYPE-1		2	
18	GBT93-10-A0P	STANDARD SPRING WASHER		2	
19	GBT5783-M10X25-8.8-A3L	HEXAGON BOLT		2	
20	TE250.433C.8	RIGHT BRAKE PULL WIRE ASSEMBLY		1	
21	GBT882-B10X35-A0P	PIN SHAFT		1	
22	GBT6170-M8-8-A2L	HEXAGON NUT, TYPE-1		1	
23	TE250.433C.13	RATCHET WHEEL BRACK- ET WELDMENT		1	
24	TE250.433C.7	HAND BRAKE HANDLE ASSEMBLY		1	
24.1	GBT5781-M8X30-4.8-A2L	HEXAGON BOLT		2	
24.2	TE250.433C.7.1	HAND BRAKE HANDLE		1	
24.3	GBT93-8-A0P	STANDARD SPRING WASHER		2	

TE354. 433B-2 (cont' d.)

No.	Part No.	Description	Version	QTY.	Remark
24.4	GBT6170-M8-8-A2L	HEXAGON NUT, TYPE-1		2	
25	GBT5783-M8X35-8.8-A2L	HEXAGON BOLT		1	
26	TE250.433C-12	UPPER FIXING PLATE OF BRAKE PULL WIRE		1	
27	TE250.433C.17	BRAKE SHORT PULL ROD WELDMENT		1	
28	GBT6171-M12X1.5-LH-8- A3L	HEXAGON NUT, TYPE-1		1	
29	TE354.433-03	CONNECTING ROD		1	
30	GBT5783-M8X20-8.8-A2L	HEXAGON BOLT		2	
31	GBT97.1-12-A0P	FLAT WASHER		4	
32	GBT6170-M10-8-A3L	HEXAGON NUT, TYPE-1		2	
33	TE354.433B.3	RIGHT BRAKE PULL ROD WELDMENT		1	

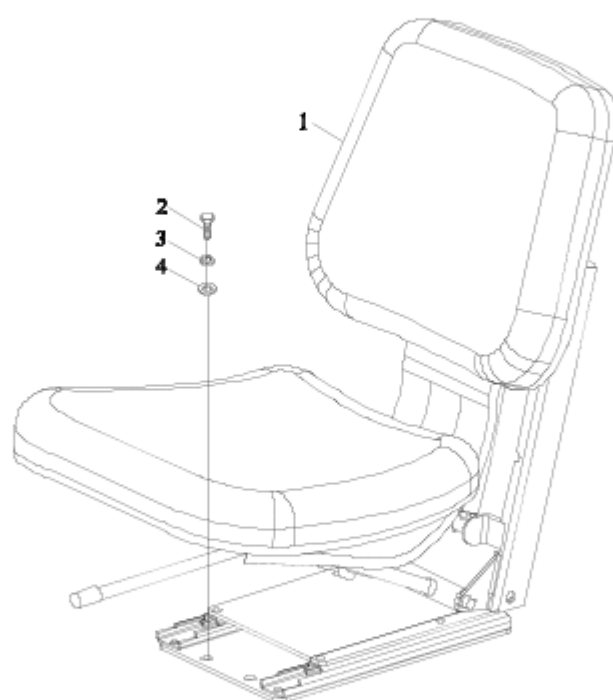
TE354. 433B-3



TE354. 433B-3

No.	Part No.	Description	Version	QTY.	Remark
1	GBT882-B10X30-A0P	PIN SHAFT		5	
2	FT300.43.110	PULL ROD REAR FORK		1	
3	GBT97.1-10-A0P	FLAT WASHER		3	
4	GBT91-3.2X22-A0P	SPLIT PIN		6	
5	GBT6170-M10-8-A3L	HEXAGON NUT, TYPE-1		2	
6	TE354.433.4	BRAKE SHORT PULL ROD WELDMENT		1	
7	FT300.43.108	PULL ROD FRONT FORK		1	
8	TE354.433.5	LEFT LOWER ROCKER ASSEMBLY		1	
8.1	TE250.433C.4-01	SLEEVE		2	
8.2	TE354.433.5.1	LEFT LOWER ROCKER WELDMENT		1	
9	GBT6171-M12X1.5-LH-8-A3L	HEXAGON NUT, TYPE-1		1	
10	TE354.433-03	CONNECTING ROD		1	
11	TE354.433B.1	LEFT BRAKE LONG PULL ROD WELDMENT		1	
12	TE354.433-01a	LEFT BRAKE ROCKER		1	
13	TE250.433C-11	CONNECTING FORK		1	
14	TE250.433C.12	LEFT BRAKE WIRE ASSEMBLY		1	
15	TE250.433C.17	BRAKE SHORT PULL ROD WELDMENT		1	
16	TE250.433C-14	BRAKE UPPER CONNECTING ROD		1	
17	GBT6171-M10X1-8-A2L	HEXAGON NUT, TYPE-1		1	

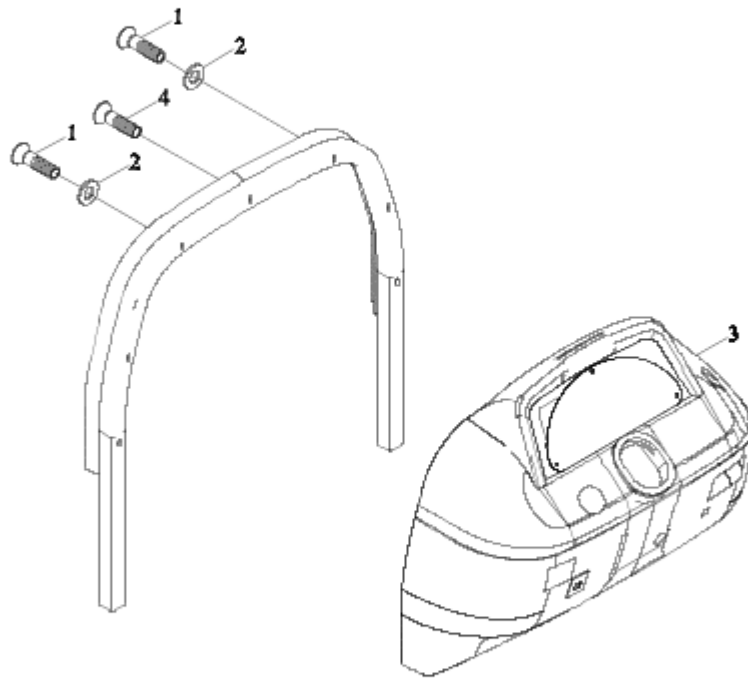
TE250. 44E



TE250. 44E

No.	Part No.	Description	Version	QTY.	Remark
1	TE250.44E.1	SEAT ASSEMBLY		1	
2	GBT5783-M8X25-8.8-A2L	HEXAGON BOLT		4	
3	GBT93-8-A0P	STANDARD SPRING WASHER		4	
4	GBT97.1-8-A0P	FLAT WASHER		4	

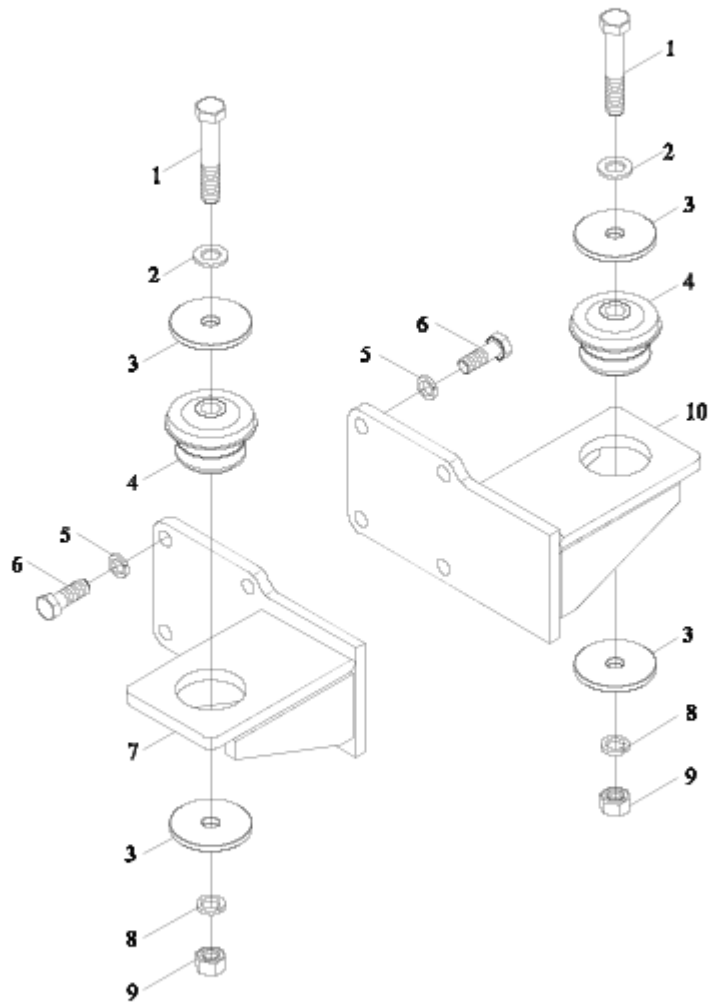
TL01456030000K



TL01456030000K

No.	Part No.	Description	Version	QTY.	Remark
	TL01456030000K	DASHBOARD INSTALLATION ASSEMBLY		1	
1	GBT819.1-M5X50-4.8-A1L	CROSS SCREW		6	
2	GBT93-5-A0P	STANDARD SPRING WASHER		6	
3	TL01456030001K	DASHBOARD		1	
4	GBT819.1-M5X10-4.8-A2L	CROSS SCREW		1	

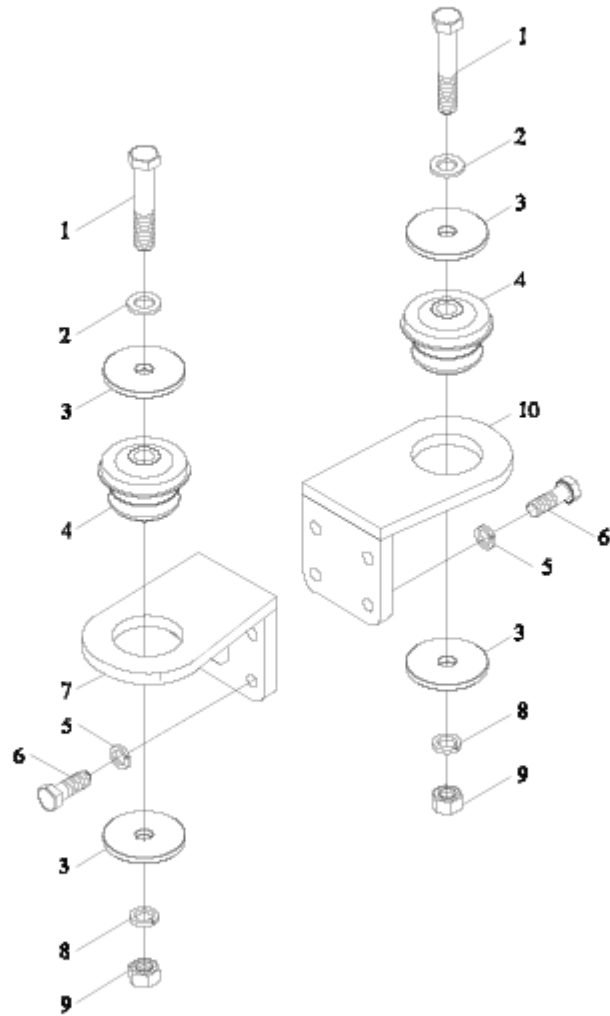
TE254. 457



TE254. 457

No.	Part No.	Description	Version	QTY.	Remark
1	GBT5783-M16X90-8.8-A2L	HEXAGON BOLT		2	
2	GBT97.1-16-A0P	FLAT WASHER		2	
3	TE254.457-01	RETAINER RING		4	
4	TE254.457.3	SHOCK ABSORBER		2	
5	GBT93-14-A0P	STANDARD SPRING WASHER		8	
6	GBT5783-M14X40-8.8-A3L	HEXAGON BOLT		8	
7	TE254.457.1	LEFT FRONT INSTALLA- TION BRACKET WELDMENT		1	
8	GBT93-16-A0P	STANDARD SPRING WASHER		2	
9	GBT6170-M16-8-A3L	HEXAGON NUT, TYPE-1		2	
10	TE254.457.2	RIGHT FRONT INSTALLA- TION BRACKET WELDMENT		1	

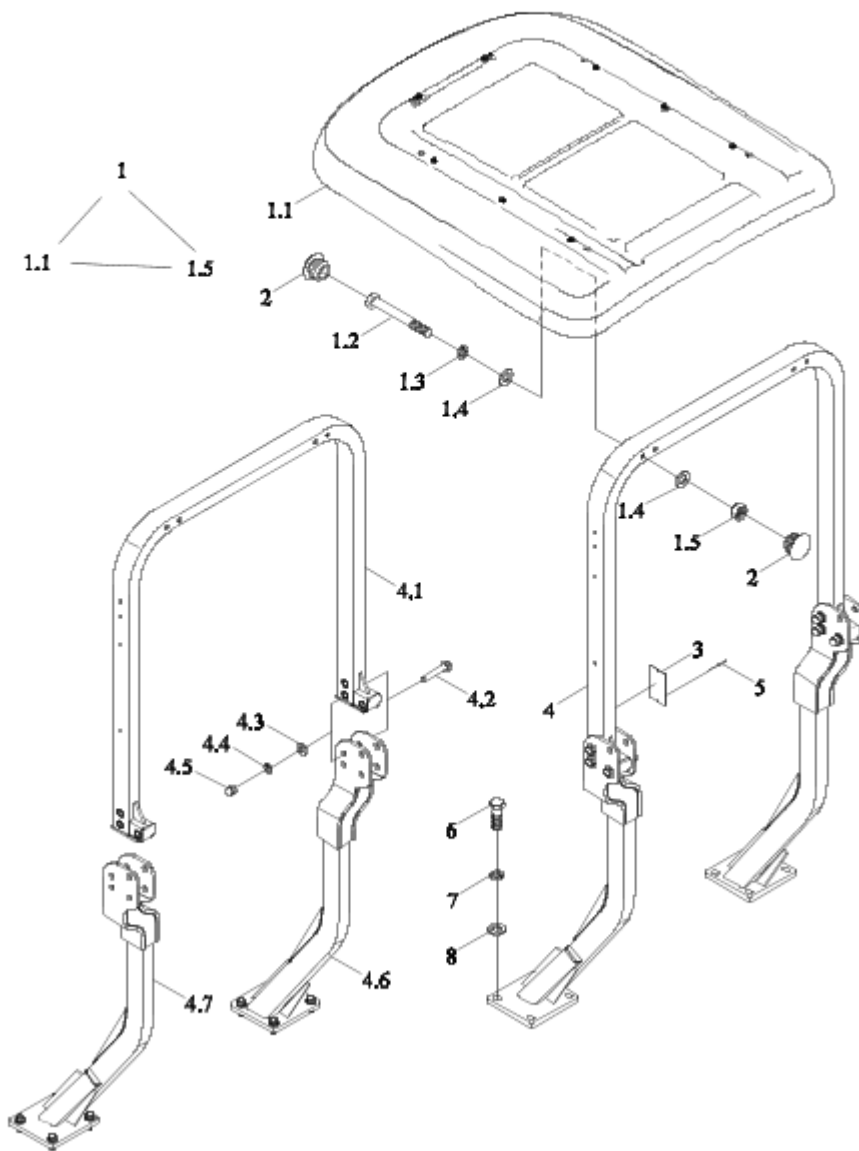
TE354. 458



TE354. 458

No.	Part No.	Description	Version	QTY.	Remark
1	GBT5783-M16X90-8.8-A2L	HEXAGON BOLT		2	
2	GBT97.1-16-A0P	FLAT WASHER		2	
3	TE254.457-01	RETAINER RING		4	
4	TE254.457.3	SHOCK ABSORBER		2	
5	GBT93-12-A0P	STANDARD SPRING WASHER		8	
6	GBT5783-M12X30-8.8-A3L	HEXAGON BOLT		8	
7	TE354.458.1	LEFT REAR INSTALLATION BRACKET WELDMENT		1	
8	GBT93-16-A0P	STANDARD SPRING WASHER		2	
9	GBT6170-M16-8-A3L	HEXAGON NUT, TYPE-1		2	
10	TE354.458.2	RIGHT REAR INSTALLA- TION BRACKET WELDMENT		1	

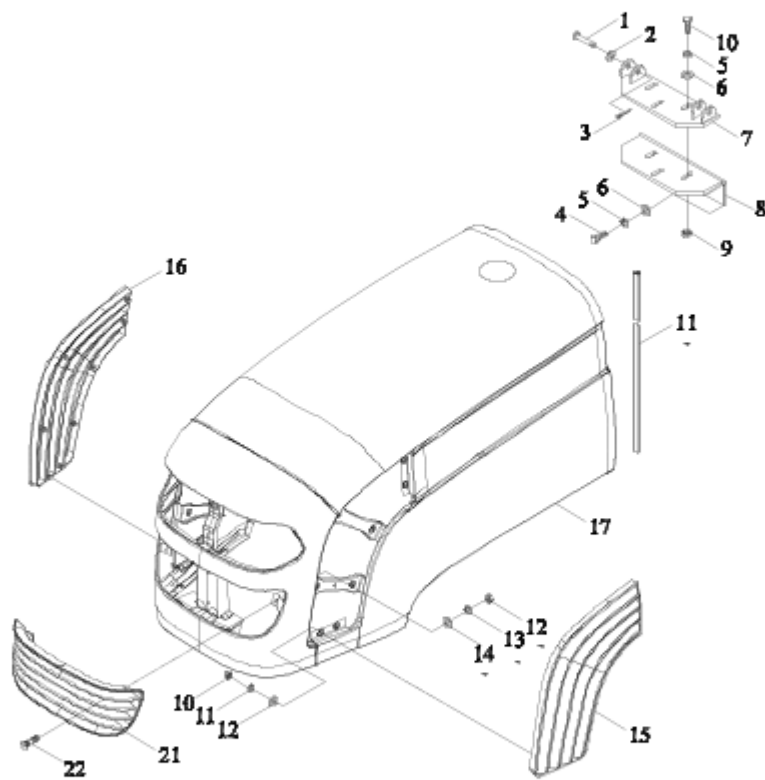
TL0246103000K



TL02461030000K

No.	Part No.	Description	Version	QTY.	Remark
	TL02461030000K	SAFETY FRAME ASSEMBLY		1	
1	TL02461030020K	SHADOW ASSEMBLY		1	
1.1	TE254.46.2.1	AWNING		1	
1.2	GBT5782-M12X100-8.8-A2L	HEXAGON BOLT		4	
1.3	GBT93-12-A0P	STANDARD SPRING WASHER		4	
1.4	GBT97.1-12-A0P	FLAT WASHER		8	
1.5	GBT6170-M12-8-A3L	HEXAGON NUT, TYPE-1		4	
2	TB400.46C-01	PLUG COVER		8	
3	TL02461020020K	SIGN MARK OF SAFTY FRAME		1	
4	TL02461030003K	SUPPORT BEAM INSTALLATION ASSEMBLY		1	
4.1	TL02461030002K	UPPER SUPPORTING BEAM WELD		1	
4.2	GBT5789-M16X90-10.9-A3L	HEXAGON FLANGE NUT		6	
4.3	GBT97.1-16-A0P	FLAT WASHER		6	
4.4	GBT93-16-A0P	STANDARD SPRING WASHER		6	
4.5	GBT802-M16-6	COMBINED COVER NUT		6	
4.6	TL02461030004K	RIGHT SUPPORTING BEAM WELDMENT		1	
4.7	TL02461030005K	LEFT SUPPORTING BEAM WELDMENT		1	
5	GBT12618-3X15	MUSHROOM HEAD RIVET		2	
6	GBT5783-M14X40-8.8-A3L	HEXAGON BOLT		8	
7	GBT93-14-A0P	STANDARD SPRING WASHER		8	
8	GBT97.1-14-A0P	FLAT WASHER		8	

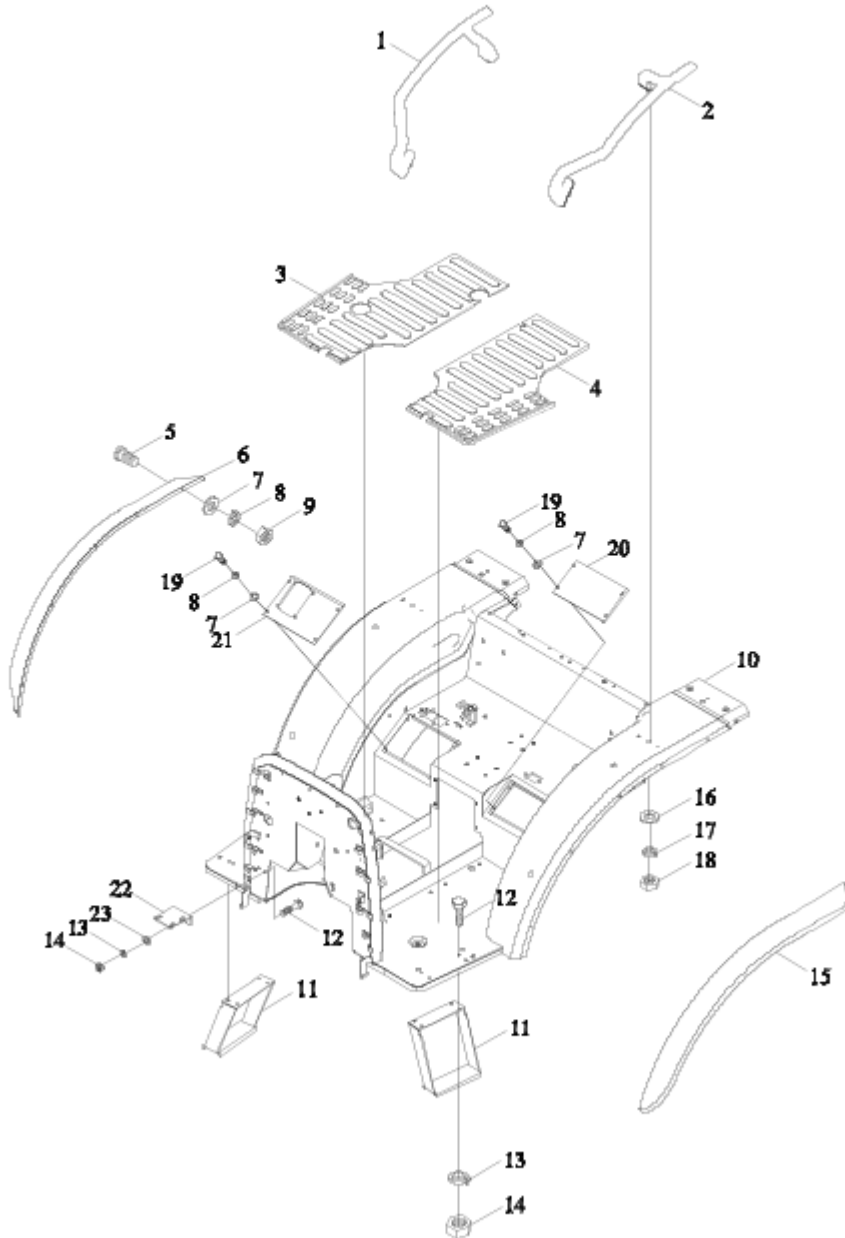
TE250. 471C



TE250. 471C

No.	Part No.	Description	Version	QTY.	Remark
1	GBT882-B12X50	PIN SHAFT		2	
2	GBT97.1-12-A0P	WASHER		2	
3	GBT91-4X20-A0P	PIN		2	
4	GBT5783-M10X30-8.8-A3L	BOLT		3	
5	GBT93-10-A0P	WASHER		6	
6	GBT97.1-10-A0P	WASHER		9	
7	TE250.471C.1	HINGE WELDMENT		1	
8	TE250.471C.2	FIXING BRACKET WELDMENT		1	
9	GBT6170-M10-8-A3L	NUT		3	
10	GBT5783-M10X35-8.8-A3L	BOLT		3	
11	FT250.47C.230	BONNET SEAL STRIP		1	
12	GBT6170-M6-8-A2L	NUT		3	
13	GBT93-6-A0P	WASHER		2	
14	GBT97.1-6-A0P	WASHER		2	
15	FT250B.47.302	LEFT FRONT GRID		1	
16	FT250B.47.303	RIGHT FRONT GRID		1	
17	TE250.471C.4	BONNET WELDMENT		1	
18	GBT97.1-5-A0P	WASHER		18	
19	GBT93-5-A0P	WASHER		18	
20	GBT6172.1-M5-A2L	HEXAGON THIN NUT		18	
21	FT250B.47.301	FRONT GRID		1	
22	GBT818-M6X16-4.8-A2L	CROSS SCREW		2	

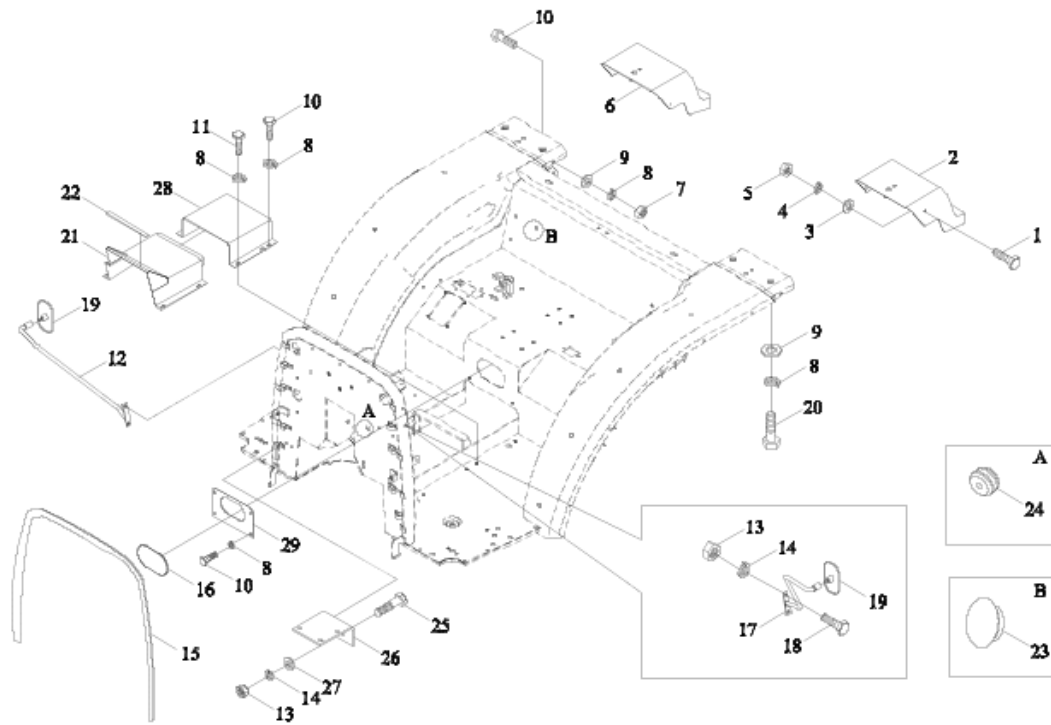
TE250. 472F-1



TE250. 472F-1

No.	Part No.	Description	Version	QTY.	Remark
1	TE324.472-02	RIGHT HANDLE		1	
2	TE324.472-01	LEFT RAIL		1	
3	TE250.472F-03	RIGHT FLOOR MAT		1	
4	TE250.472F-02	LEFT FLOOR MAT		1	
5	GBT5783-M5X16-8.8-A2L	HEXAGON BOLT		10	
6	TE254.472-02	RIGHT MUD GUARD OUTER PART		1	
7	GBT97.1-5-A0P	FLAT WASHER		18	
8	GBT93-5-A0P	STANDARD SPRING WASHER		18	
9	GBT6170-M5-8-A2L	HEXAGON NUT, TYPE-1		10	
10	TE250.472F.1	FLOOR WELDMENT		1	
11	TE254.472.3	PEDAL WELDMENT		2	
12	GBT5783-M8X20-8.8-A2L	HEXAGON BOLT		8	
13	GBT93-8-A0P	STANDARD SPRING WASHER		8	
14	GBT6170-M8-8-A2L	HEXAGON NUT, TYPE-1		8	
15	TE254.472-01	LEFT MUD GUARD OUTER PART		1	
16	GBT96.1-16-A0P	BIG WASHER		4	
17	GBT93-16-A0P	STANDARD SPRING WASHER		4	
18	GBT6170-M16-8-A3L	HEXAGON NUT, TYPE-1		4	
19	GBT5783-M5X12-8.8-A2L	HEXAGON BOLT		4	
20	TE254.472-14	COVER PLATE		1	
21	TE254.472-13	CONTROL COVER PLATE		1	
22	TE250.472F-04	SINGLE STEADY VALVE BRACKET		1	
23	GBT97.1-8-A0P	FLAT WASHER		2	

TE250. 472F-2



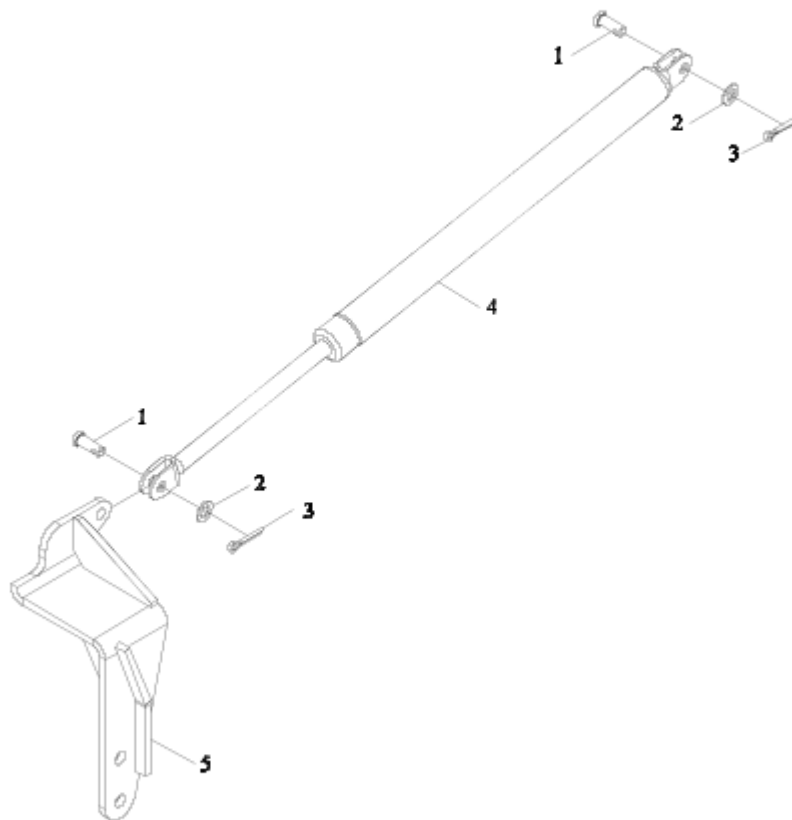
TE250. 472F-2

No.	Part No.	Description	Version	QTY.	Remark
1	GBT5783-M5X16-8.8-A2L	HEXAGON BOLT		4	
2	TE324.472.1-01	LEFT MUD GUARD REAR PART		1	
3	GBT97.1-5-A0P	FLAT WASHER		2	
4	GBT93-5-A0P	STANDARD SPRING WASHER		2	
5	GBT6170-M5-8-A2L	HEXAGON NUT, TYPE-1		2	
6	TE324.472.2-01	RIGHT MUD GUARD REAR PART		1	
7	GBT6170-M6-8-A2L	HEXAGON NUT, TYPE-1		2	
8	GBT93-6-A0P	STANDARD SPRING WASHER		10	
9	GBT97.1-6-A0P	FLAT WASHER		14	
10	GBT5783-M6X16-8.8-A2L	HEXAGON BOLT		14	
11	GBT5781-M6X16-4.8-A2L	HEXAGON BOLT		1	
12	TE250.472F.2	RIGHT BRACKET WELDMENT		1	
13	GBT6170-M8-8-A2L	HEXAGON NUT, TYPE-1		6	
14	GBT93-8-A0P	STANDARD SPRING WASHER		6	
15	TE250.472F-01	SEAL RUBBER STRIP		1	
16	TE254.472-10	REAR FLOOR COVER		1	
17	TE324.473.2	REARVIEW MIRROR BRACKET WELDMENT		1	
18	GBT5783-M8X50-8.8-A2L	HEXAGON BOLT		4	
19	TB400.456A.3	REARVIEW MIRROR ASSEMBLY		2	
20	GBT5783-M6X12-8.8-A2L	HEXAGON BOLT		8	
21	TE250.472F.3	UPPER COVER PLATE WELDMENT		1	
22	TE250.472F-05	SEAL STRIP		1	
23	TE250.472E-06	PLUG COVER		3	
24	TG1204.20A-02	THROUGH HARNESS WASHER		1	
25	GBT5783-M8X20-8.8-A2L	HEXAGON BOLT		2	
26	TE250.472F-04	SINGLE STEADY VALVE BRACKET		1	
27	GBT97.1-8-A0P	FLAT WASHER		2	

TE250.472F-2 (cont'd.)

No.	Part No.	Description	Version	QTY.	Remark
28	TE250.472F-06	REAR COVER PLATE		1	
29	TE250.472F-07	UPPER COVER PLATE		1	

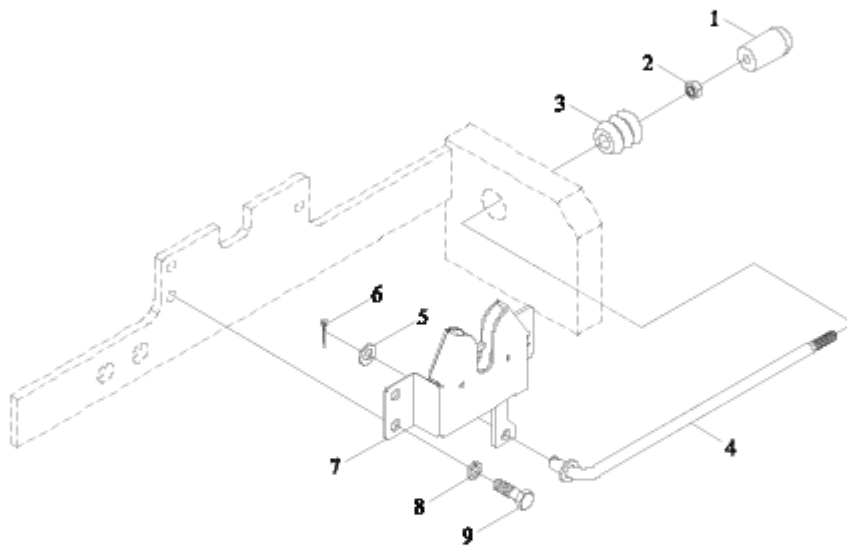
TE250. 476D



TE250. 476D

No.	Part No.	Description	Version	QTY.	Remark
1	GBT882-B8X22	PIN SHAFT		2	
2	GBT95-8-A0P	FLAT WASHER		2	
3	GBT91-3.2X16-A0P	SPLIT PIN		2	
4	TE250.476D-01	BONNET PNEUMATIC SPRING		1	
5	TE254.471.6	PNEUMATIC SPRING FIX- ING BRACKET WELDMENT		1	

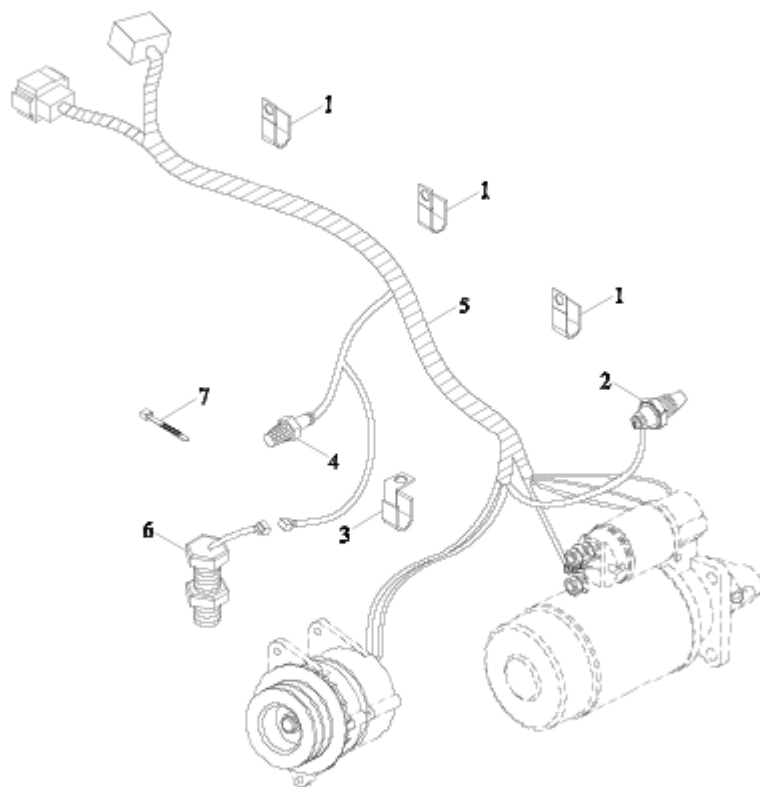
TE250. 477



TE250.477

No.	Part No.	Description	Version	QTY.	Remark
	TE250.477	BONNET LOCK INSTALLATION ASSEMBLY		1	
1	TE250.477.3	HANDLE ASSEMBLY		1	
2	GBT6170-M5-8-A2L	HEXAGON NUT, TYPE-1		1	
3	TE250.477-01	RUBBER RING		1	
4	TE250.477.2	PULL ROD WELDMENT		1	
5	GBT97.1-6-A0P	FLAT WASHER		1	
6	GBT91-2X16-A0P	SPLIT PIN		1	
7	TE250.477.1	BONNET LOCK		1	
8	GBT93-5-A0P	STANDARD SPRING WASHER		3	
9	GBT5783-M5X10-8.8-A2L	HEXAGON BOLT		3	

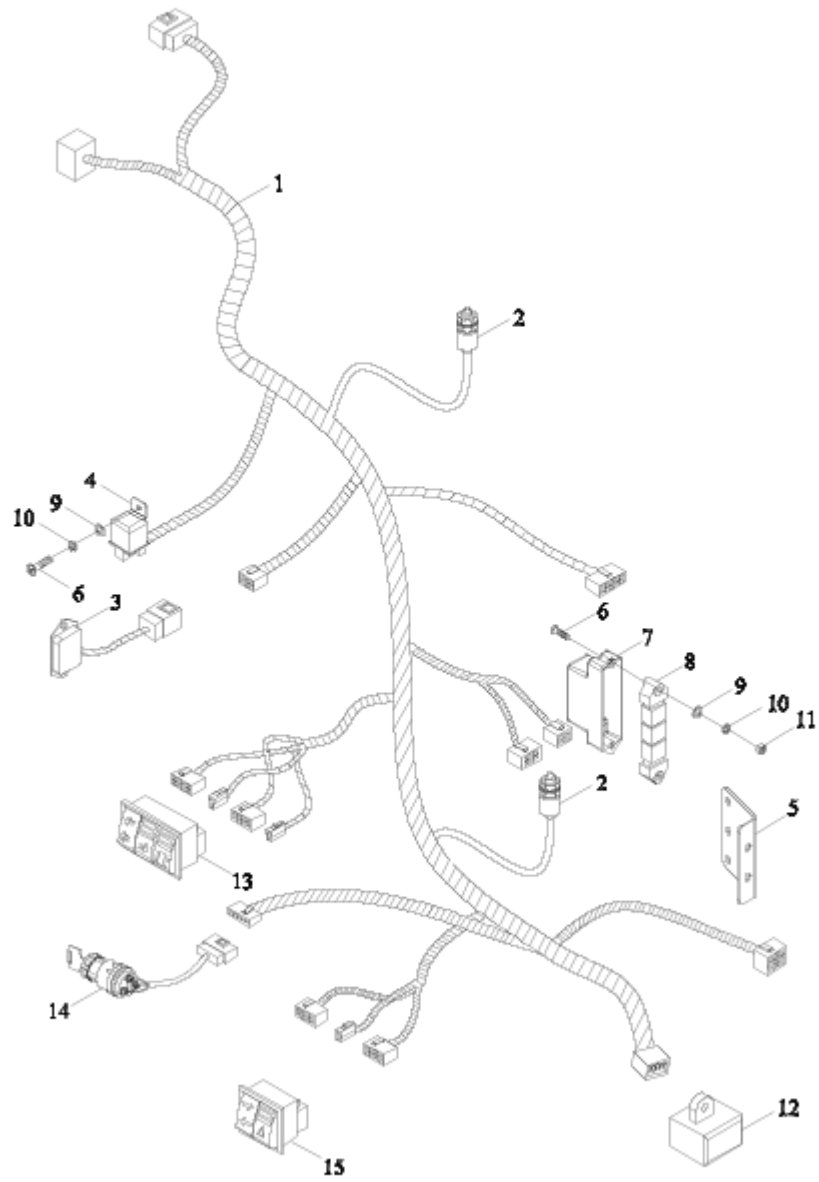
TL01481190000K



TL01481190000K

No.	Part No.	Description	Version	QTY.	Remark
1	FT304.48L.203	HARNESS TIGHTEN CLIP		3	
2	FT65.48.072	WATER TEMPERATURE SENSOR		1	
3	FT300.48.105	HARNESS FIXING CLAMP		1	
4	FT65.48.073a	OIL PRESSURE ALARM		1	
5	TL01481190001K	ENGINE HARNESS ASSEMBLY		1	
6	TS10481010002	RPM SENSOR		1	
7	Q67405100	PLASTIC FASTENING STRIP		1	

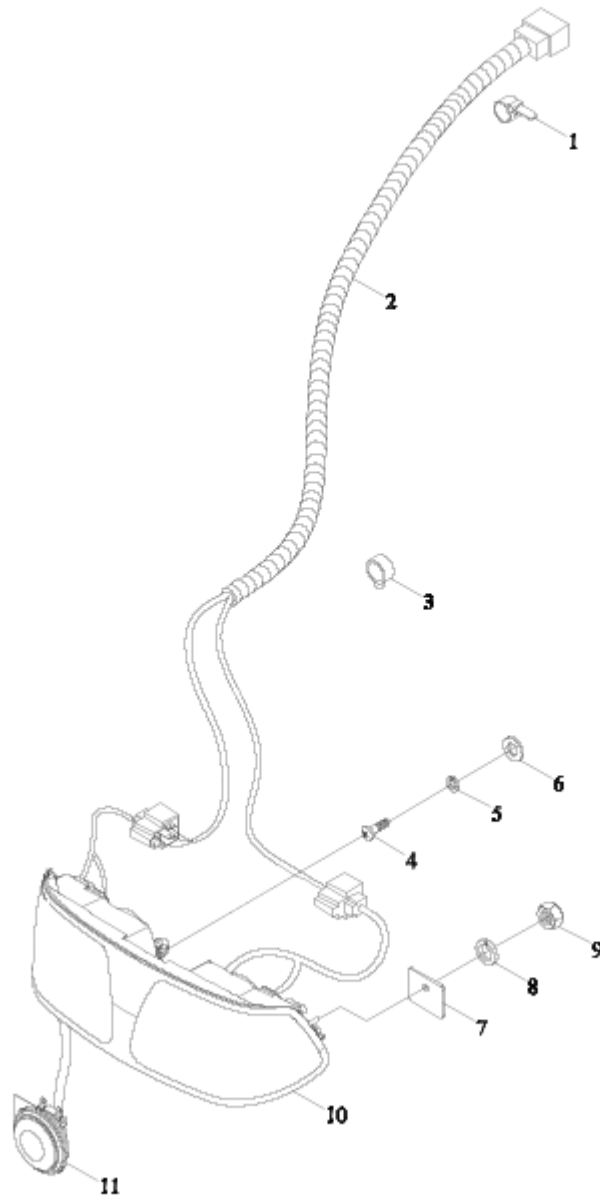
TL01482310000K



TL01482310000K

No.	Part No.	Description	Version	QTY.	Remark
1	TL01482310001K	BODY HARNESS ASSEMBLY		1	
2	TB550.484.2	BRAKE LIGHT SWITCH		2	
3	TL01482150004K	VOLTAGE ADJUSTER		1	
4	FT300.48.055	STARTING RELAY		1	
5	TE250.482Y-01	RELAY BRACKET		1	
6	GBT818-M6X20-4.8-A2L	CROSS SCREW		7	
7	TE250.482A-02	RELAY BOX COVER		1	
8	TL01482150002K	RELAY BOX ASSEMBLY		1	
9	GBT97.1-6-A0P	FLAT WASHER		7	
10	GBT93-6-A0P	STANDARD SPRING WASHER		7	
11	GBT6170-M6-8-A2L	HEXAGON NUT, TYPE-1		5	
12	TL01482150003K	FUSE BOX ASSEMBLY		1	
13	TE250.482Y.2	RIGHT BUTTON SWITCH		1	
14	TB550.482.3	IGNITION LOCK		1	
15	TH354.482.4	LEFT PADDLE SWITCH		1	

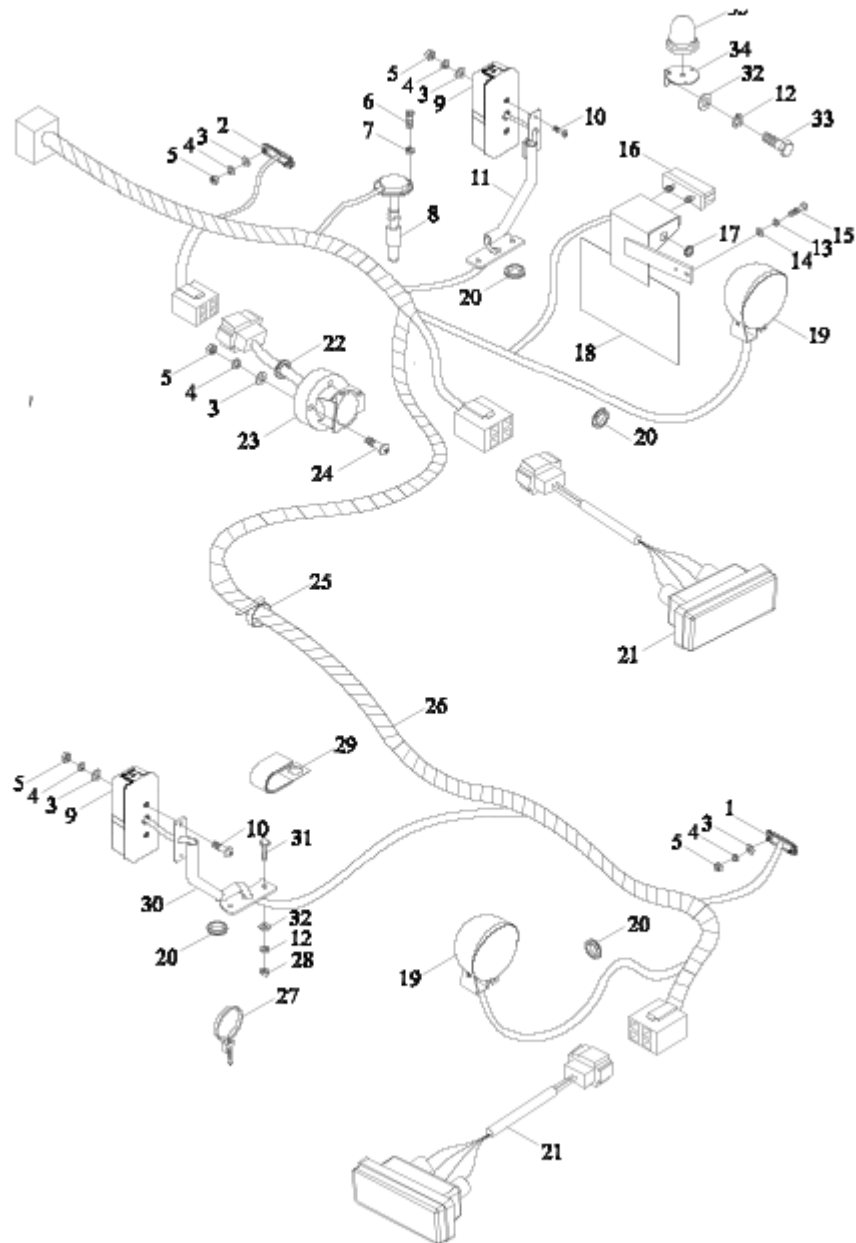
TL01483030000K



TL01483030000K

No.	Part No.	Description	Version	QTY.	Remark
1	3724D01-201	RELEASABLE TIE		1	
2	TL01483030001K	FRONT LAMP HARNESS ASSEMBLY		1	
3	3203505D9-L	TIE		5	
4	GBT818-M8X16-4.8-A2L	CROSS SCREW		2	
5	GBT93-8-A0P	STANDARD SPRING WASHER		2	
6	GBT97.1-8-A0P	FLAT WASHER		2	
7	TE250.483-01	PAD BOARD		2	
8	GBT93-6-A0P	STANDARD SPRING WASHER		2	
9	GBT6170-M6-8-A2L	HEXAGON NUT, TYPE-1		2	
10	TE250.483A.1	FRONT BIG LAMP ASSEMBLY		1	
10.1	GF286.29.8-01	BULB		1	
11	TD800.483B.3	ELECTRIC HORN		1	

TL01484320000K



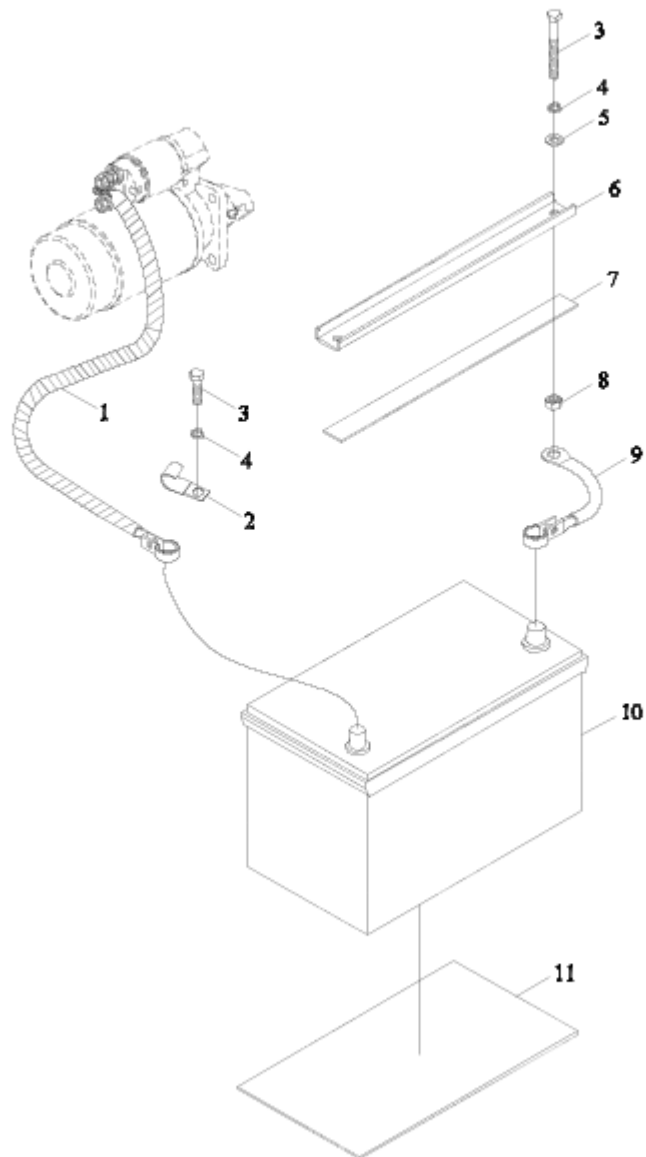
TL01484320000K

No.	Part No.	Description	Ver- sion	QTY.	Remark
1	TB450.484E.6	RIGHT REFLECTOR		1	
2	TB450.484E.5	LEFT REFLECTOR		1	
3	GBT97.1-5-A0P	FLAT WASHER		8	
4	GBT93-5-A0P	STANDARD SPRING WASHER		8	
5	GBT6170-M5-8-A2L	HEXAGON NUT, TYPE-1		8	
6	GBT818-M4X10-4.8-A2L	CROSS SCREW		5	
7	GBT93-4-A0P	STANDARD SPRING WASHER		5	
8	TL01484240002K	OIL QUANTITY SENSOR		1	
9	TL01484070008K	SINGLE-SIDE LAMP ASSEMBLY		2	
10	GBT818-M5X20-4.8-A2L	CROSS SCREW		4	
11	TL01484060006K	LEFTSINGLELAMPBRACK- ETWELDMENT		1	
12	GBT93-8	STANDARD SPRING WASHER		8	
13	GBT93-6-A0P	STANDARD SPRING WASHER		2	
14	GBT97.1-6-A0P	FLAT WASHER		2	
15	GBT5783-M6X16-8.8-A2L	HEXAGON BOLT		2	
16	TL01484230003K	NAMEPLATE LAMP ASSEMBLY		1	
17	TD800.484B-03	RUBBER RING		1	
18	TE250.484U.1	NAMEPLATE LAMP BRACKET WELDMENT		1	
19	TC02484020003	REAR WORKING LIGHT ASSEMBLY		2	
20	FT65.48.094	THROUGH HARNESS WASHER (2)		2	
21	TL01484230002K	TAIL LAMP ASSEMBLY		2	
22	FT800A.48L.101	RUBBER RING(1)		2	
23	TD900.484.2	REAR TRAILER SOCKET		1	
24	GBT818-M5X35-4.8-A1L	CROSS SCREW		3	
25	3203505D9-L	TIE		5	
26	TL01484320001K	REAR LAMP HARNESS ASSEMBLY		1	
27	Q67405200	PLASTIC FASTENING STRIP		2	

TL01484320000K (cont'd.)

No.	Part No.	Description	Version	QTY.	Remark
28	GBT6170-M8-8-A2L	HEXAGON NUT, TYPE-1		6	
29	TF1204.481B-01	HARNESS TIGHTEN CLIP		2	
30	TL01484060003K	RIGHTSINGLESIDELAMP-BRACKETWELDMENT		1	
31	GBT5783-M8X20-8.8-A2L	HEXAGON BOLT		6	
32	GBT97.1-8	FLAT WASHER		8	
33	GBT5783-M8X80-8.8-A2L	HEXAGON BOLT		2	
34	TB500.484D.3	ALARM LIGHT BRACKET WELDMENT		1	
35	TC02484100001K	ROTATING ALARM LIGHT ASSEMBLY		1	

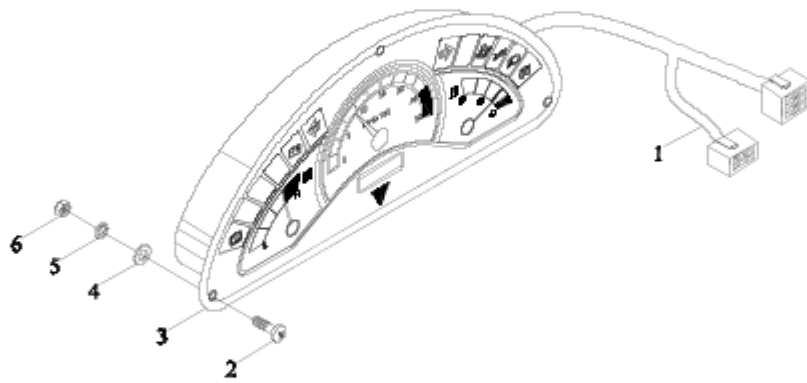
TE300. 485C



TE300. 485C

No.	Part No.	Description	Version	QTY.	Remark
1	FT300.48.017	POWER WIRE ASSEMBLY		1	
2	FT65.48.095	HARNESS FIXING CLAMP		1	
3	GBT5783-M8X80-8.8-A2L	HEXAGON BOLT		3	
4	GBT93-8-A0P	WASHER		3	
5	GBT97.1-8-A0P	WASHER		2	
6	TE300.485A-01	BATTERY PRESS PLATE		1	
7	TE250.485A-02	PRESSURE GASKET		1	
8	GBT6170-M8-8-A2L	HEXAGON NUT, TYPE-1		1	
9	TE300.485.3	BATTERY CATHODE CABLE ASSEMBLY		1	
10	TE250.24B.1L	BATTERY ASSEMBLY		1	
11	FT250.24B.103	RUBBER SKIN		1	

TL01487040000K



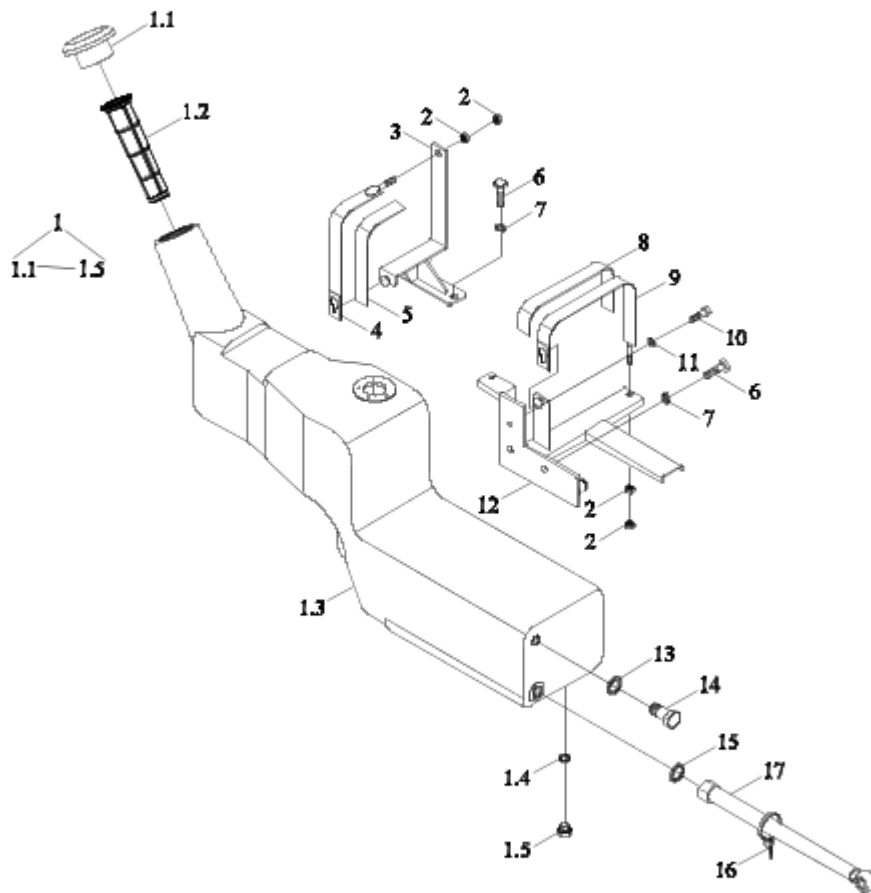
TL01487040000K

No.	Part No.	Description	Version	QTY.	Remark
1	TB550.487.1	TRANSITION WIRE HAR- NESS ASSEMBLY		1	
2	GBT818-M5X25-4.8-A2L	CROSS SCREW		3	
3	TL01487040001K	COMBINED INSTRUMENT ASSEMBLY		1	
4	GBT95-5-A0P	FLAT WASHER		3	
5	GBT93-5-A0P	STANDARD SPRING WASHER		3	
6	GBT6170-M5-8-A2L	HEXAGON NUT, TYPE-1		3	

FT300. 49. 001

No.	Part No.	Description	Version	QTY.	Remark
1	TB400.49.1	TOOL ASSEMBLY		1	
1.1	FT65.49.102	CROSS PIN		1	
1.2	FT65.49.103	FIXING SUPPORT PLATE		1	
1.3	TB400.49.1.1	TOOL ASSEMBLY		1	
2	GBT6170-M12-8-A3L	HEXAGON NUT, TYPE-1		2	
3	GBT97.1-12-A0P	FLAT WASHER		2	
4	GBT93-12-A0P	STANDARD SPRING WASHER		2	
5	GBT5783-M12X35-8.8-A3L	HEXAGON BOLT		2	

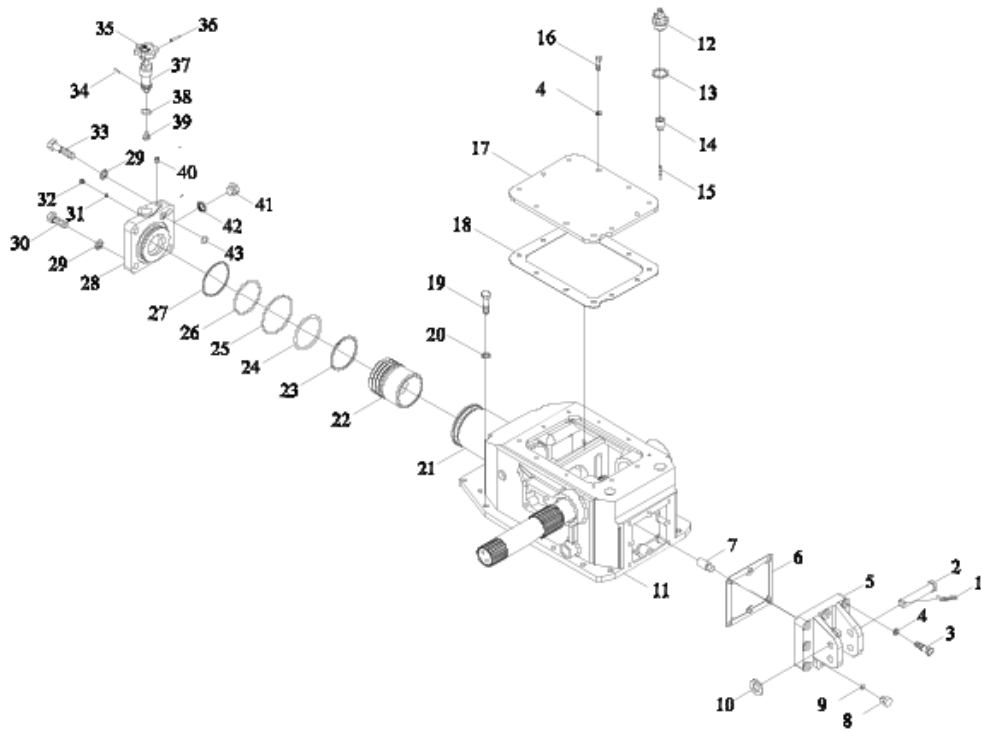
TL02500010000K



TL02500010000K

No.	Part No.	Description	Version	QTY.	Remark
	TL02500010000K	OILTANKINSTALLATIONASSEMBLY		1	
1	TE254.50A.1	OIL TANK ASSEMBLY		1	
1.1	TD800.501A.1.1	OIL TANK COVER		1	
1.2	TF1004.501.1-02	FILTER MESH		1	
1.3	TE254.50A.1-01	OIL TANK HOUSING		1	
1.4	JBT982-16	COMBINED SEAL GASKET		1	
1.5	Q617B16	HEXAGON PLUG		1	
2	GBT6170-M10-8-A3L	HEXAGON NUT, TYPE-1		4	
3	TE354.50.2	OIL TANK REAR BRACKET WELDMENT		1	
4	TE254.50A.4a	REAR FASTENING TIE WELDMENT		1	
5	TE254.50A-01	WASHER		1	
6	GBT5783-M12X30-8.8-A3L	HEXAGON BOLT		4	
7	GBT93-12-A0P	STANDARD SPRING WASHER		4	
8	TE254.50A-02	WASHER		1	
9	TE254.50A.5a	FRONT BAND WELDMENT		1	
10	GBT5783-M10X30-8.8-A3L	HEXAGON BOLT		1	
11	GBT93-10-A0P	STANDARD SPRING WASHER		1	
12	TE354.50.3	OIL TANK FRONT BRACKET WELDMENT		1	
13	JB982-14	COMBINED SEAL GASKET		1	
14	GBT5786-M14X1.5X30-8.8-A3L	HEXAGON BOLT		1	
15	JB982-14	RUBBER WASHER		1	
16	Q67405200	PLASTIC FASTENING STRIP		4	
17	TE254.50A.7	OIL CONVEYING PIPE ASSEMBLY		1	

TE354. 55-1



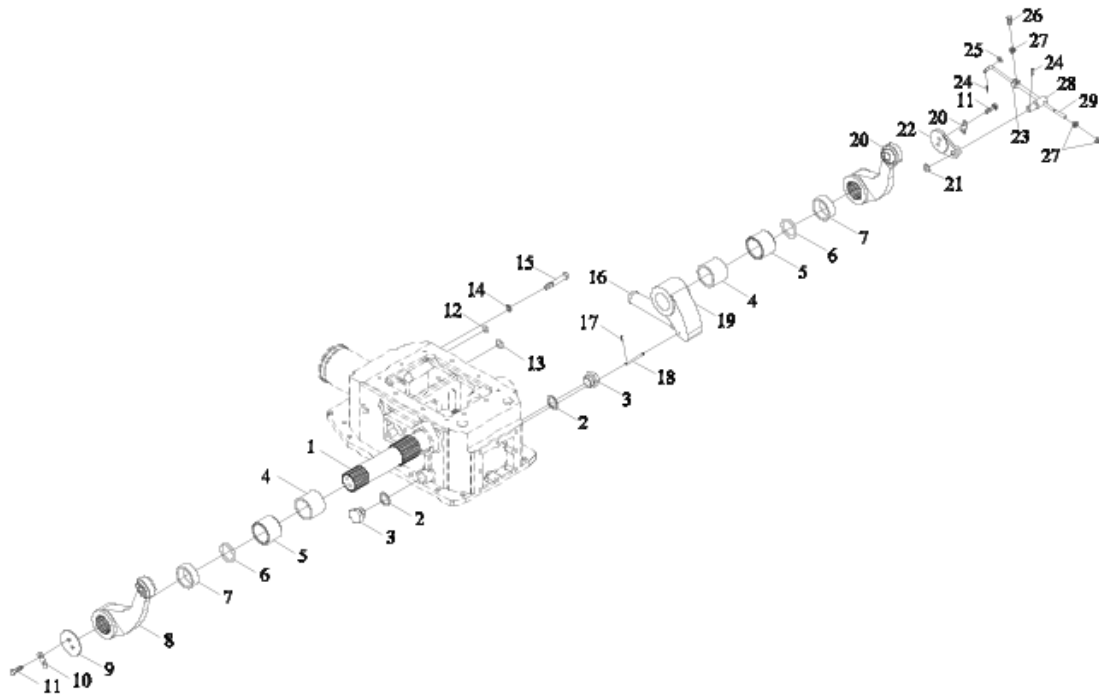
TE354. 55-1

No.	Part No.	Description	Ver- sion	QTY.	Remark
1	FT800.55A.237	ELASTIC PIN		1	
2	18.55.107	UPPER PULL ROD FRONT CONNECTING PIN		1	
3	GBT5782-M10X45	BOLT		8	
4	GBT93-8	WASHER		11	
5	TE250.55A.112	REAR END COVER		1	
6	18.55.159	REAR END COVER PAPER GASKET		1	
7	18.55.141	LIMITING PIN		1	
8	18.55.108	OIL DISCHARGING PLUG		1	
9	JBT982-12	COMBINED SEAL GASKET		1	
10	GBT97.1-20	WASHER		1	
11	TE354.55.1	LIFTER ASSEMBLY		1	
12	TE250.55.011	VENTILATION PLUG BODY WELDMENT		1	
13	18.55.104	WASHER		1	
14	18.55.136	OIL FILLING COVER CORE		1	
15	TE354.55.110	DIPSTICK		1	
16	GBT5783-M8X20	BOLT		14	
17	TE354.55.103	UPPER COVER PLATE		1	
18	TE354.55.108	UPPER COVER GASKET		1	
19	GBTT5783-M10X30-A3L	BOLT		12	
20	GBTT93-10-A0P	WASHER		12	
21	YT300B.55.114	CYLINDER TRUNK		1	
22	E300.55.012	PISTON ASSEMBLY		1	
23	E300.55.117	RETAINER RING		1	
24	GBT3452.1-75X5.3	O-RING		1	
25	GBT3452.1-90X3.55	O-RING		1	
26	GBT3452.1-77.5X3.55	O-RING		1	
27	E300.55.118	RETAINER RING		1	
28	TE354.55.106	CYLINDER HEAD		1	
29	GBT93-14	WASHER		4	
30	GBT5785-M14X1.5X50	BOLT		3	
31	GBT97.1-5	WASHER		1	
32	GBT828-M5X6X4-22H	SCREW		1	
33	GBT5785-M14X1.5X60	BOLT		1	
34	300.55.138	PIN		1	

TE354. 55-1 (cont'd.)

No.	Part No.	Description	Version	QTY.	Remark
35	E300.55.140A	SPEED DROP VALVE HAND WHEEL		1	
36	GBT879-4X22	PIN		1	
37	TE354.55.109	ADJUSTING VALVE ROD		1	
38	GBT1235-22X2.4	O-RING		1	
39	YT18.55.129	ADJUSTING VALVE		1	
40	25.55.169	PLUG ZG18		1	
41	25.55.109A	HEXAGON SCREW PLUG		1	
42	JBT982-18	COMBINED SEAL WASHER		1	
43	GBT1235-18X2.4	O-RING		1	

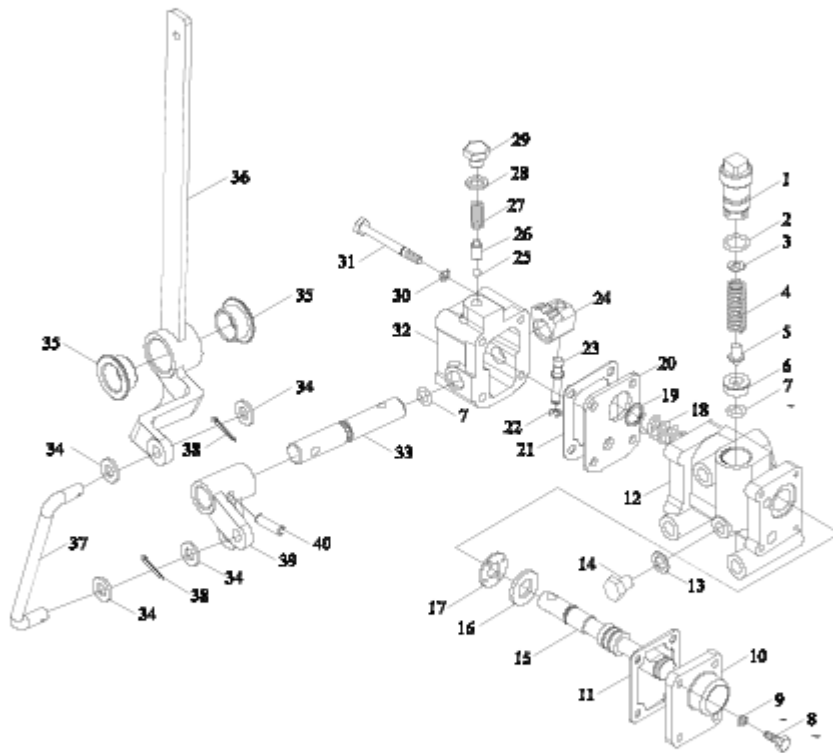
TE354. 55-2



TE354. 55-2

No.	Part No.	Description	Ver- sion	QTY.	Remark
1	TE354.55.105	LIFTING SHAFT		1	
2	JBT982-27	COMBINED SEAL GASKET		3	
3	TE250.55A.109	PLUG 27X1.5		3	
4	FT500A.55B.105	SPACER BUSH		2	
5	E300.55.116	SHAFT SLEEVE		2	
6	GBT1235-60X5.7	O-RING		2	
7	BY350.55.103A	LIFTING SHAFT SLEEVE		2	
8	TE354.55.011	LEFT LIFTING ARM ASSEMBLY		1	
9	FT500B.55.127	LIFTING SHAFT PRESSURE PLATE		1	
10	GBT93-10	WASHER		12	
11	GBT5781-M10X20	BOLT		1	
12	GBT3452.1-13.2X2.65	O-RING		1	
13	GBT3452.1-19X2.65	O-RING		1	
14	GBT93-10-A0P	WASHER		3	
15	GBT5783-M10X80-A3L	BOLT		3	
16	TE354.55.104	PISTON TOP ROD		1	
17	GBT91-2X12	PIN		1	
18	300.55.148A	PIN SHAFT		1	
19	300.55.151	INNER LIFTING ARM		1	
20	TE354.55.010	RIGHT LIFTING ARM ASSEMBLY		1	
21	GBT97.1-12	WASHER		1	
22	18.55.145	RETURN RETAINER PLATE		1	
23	18.55.110	RETAINER BLOCK		1	
24	GBT91-2X16	PIN		2	
25	GBT97.1-8	WASHER		1	
26	GBT5783-M8X20	BOLT		14	
27	GBT6170-M8	NUT		3	
28	14.55.107	LIMITING PIN SHAFT		1	
29	TE250.55A.107	LIFTING ADJUSTING ROD		1	

TE354. 55-3



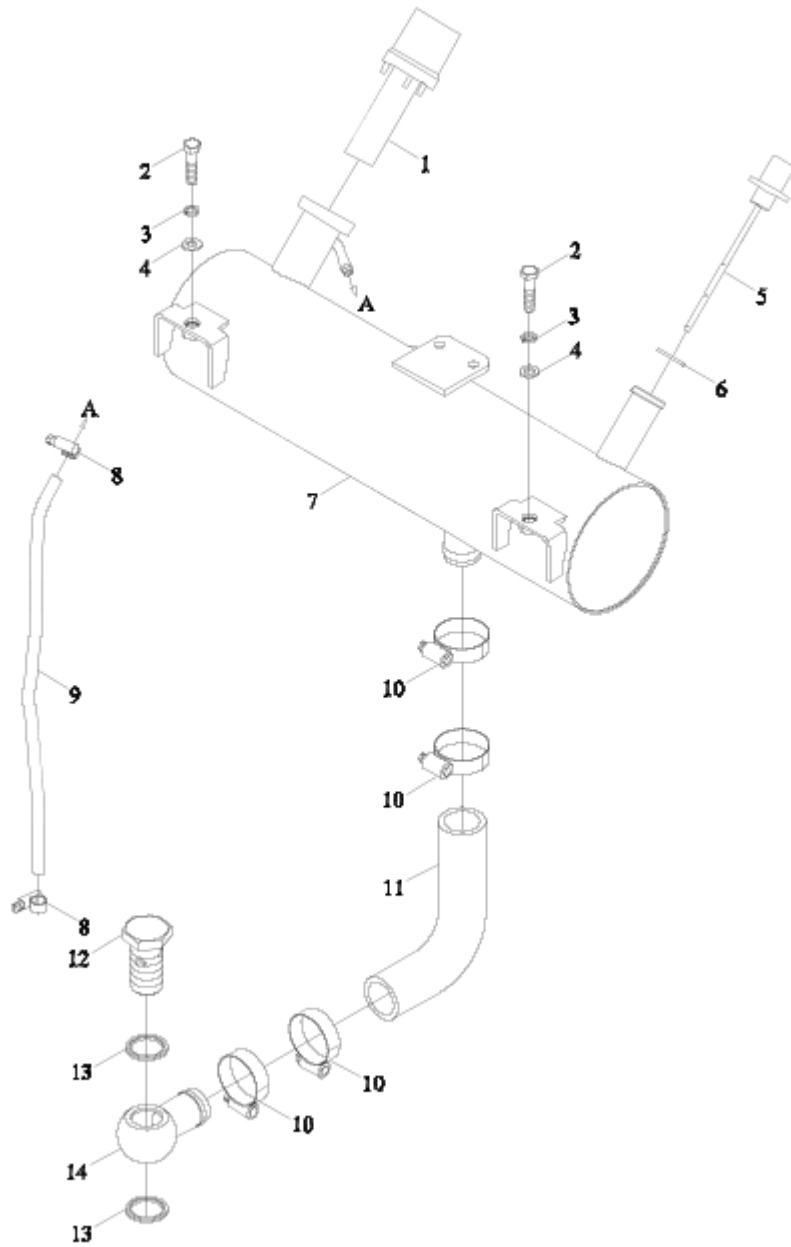
TE354. 55-3

No.	Part No.	Description	Ver- sion	QTY.	Remark
1	18FP.57.110	PRESSURE PLUG		1	
2	GBT3452.1-15X2.65G	O-SEAL RING		1	
3	18FP.57.111	ADJUSTING WASHER		1	
4	18FP.57.112	SAFETY VALVE SPRING		1	
5	18FP.57.119	SAFETY VALVE CORE		1	
6	18FP.57.101	SAFETY VALVE SEAT		1	
7	GBT3452.1-9.5X2.65G	O-SEAL RING		2	
8	GBT5783-M5X16	BOLT		4	
9	GBT93-5	WASHER		4	
10	18FP.57.102	FRONT COVER		1	
11	18FP.57.103	FRONT COVER PAPER GASKET		1	
12	18FP.57.104A	DISTRIBUTOR HOUSING		1	
13	150D.55.227-2	SEAL RING		1	
14	JBT1000-M10X1X12	HEXAGON SCREW PLUG		1	
15	18FP.57.113-1	SLIDING VALVE		1	
16	18FP.57.120	WASHER		1	
17	18FP.57.115	WASHER		1	
18	18FP.57.114	SLIDING VALVE RETURN SPRING		1	
19	GBT894.1-15	RETAINER RING		1	
20	18FP.57.106	RETAINER PLATE		1	
21	18FP.57.107	REAR COVER PAPER GASKET		2	
22	GBT896-4	RETAINER RING		1	
23	14FP.57.105	DIAL PIN		1	
24	14FP.57.104	LOCATING BLOCK		1	
25	GBT308-6V	STEEL BALL		1	
26	14FP.57.118	LOCATING SPRING SEAT		1	
27	14FP.57.119	LOCATING SPRING		1	
28	14FP.57.121	MAT		1	
29	14FP.57.120	SCREW PLUG		1	
30	GBT93-6	WASHER		6	
31	GBT5782-M6X60	BOLT		4	
32	18FP.57.108	REAR COVER		1	
33	TE250.57.102	HANDLE SHAFT		1	
34	GBT97.1-8	FLAT WASHER		2	

TE354. 55-3 (cont 'd.)

No.	Part No.	Description	Ver- sion	QTY.	Remark
35	TE250.57.103	NYLON BUSH		2	
36	TE354.57.1.1	CONTROL ARM WELDMENT		1	
37	TE250.57.106	PULL ROD		1	
38	GBT91-2X18	SPLIT PIN		2	
39	TE250.57.101	CONTROL ROCKER 1		1	
40	GBT879-6X22	ELASTIC PIN		1	

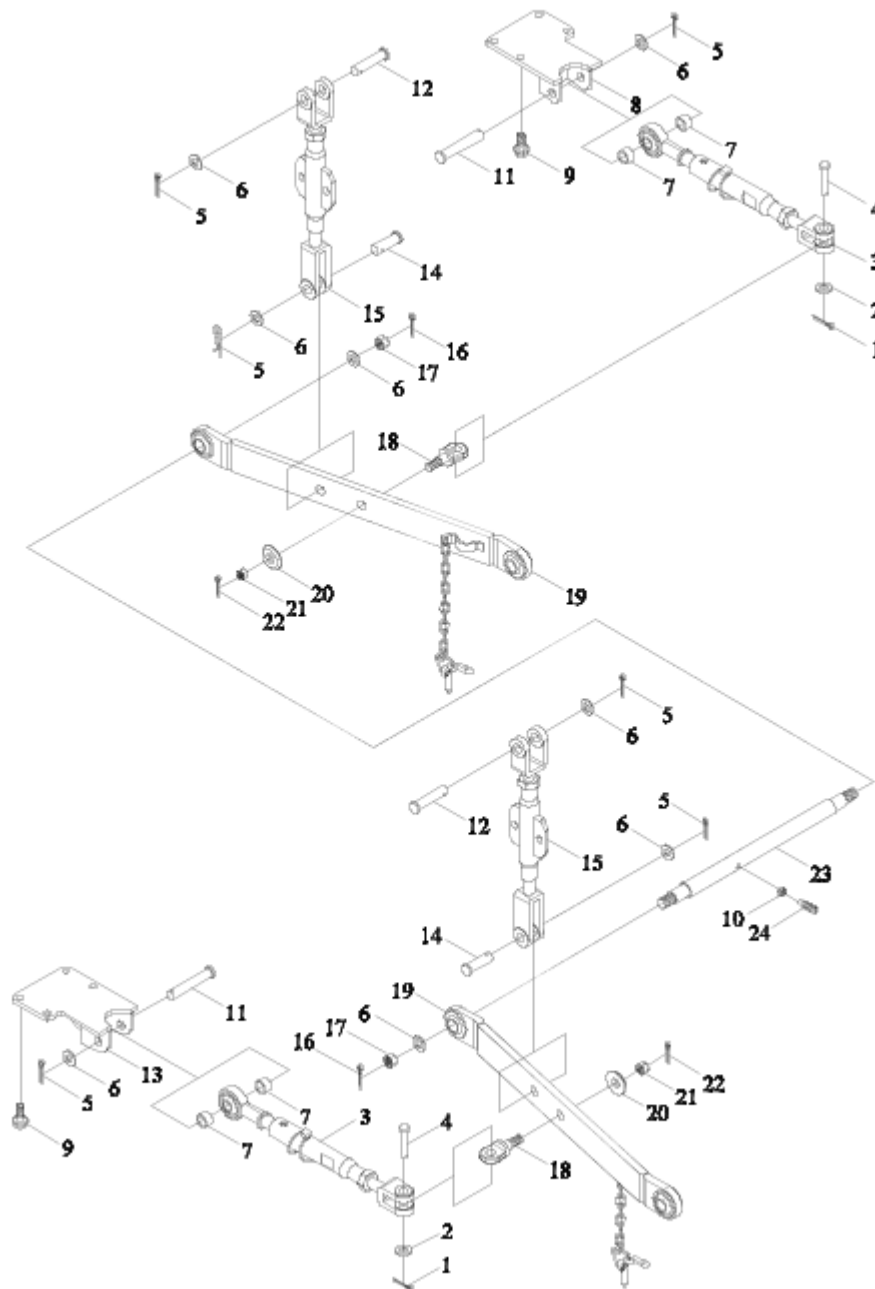
TE250. 556B



TE250. 556B

No.	Part No.	Description	Version	QTY	Remark
1	TD800.556.4	OIL TANK AIR FILTER		1	
2	GBT5783-M10X35-8.8-A3L	HEXAGON BOLT		2	
3	GBT93-10-A0P	STANDARD SPRING WASHER		2	
4	GBT97.1-10-A0P	FLAT WASHER		2	
5	TD800.556.3	OIL DIPSTICK ASSY		1	
6	JBT982-18	COMBINED SEAL GASKET		1	
7	TE250.556B.1	HYDRAULIC AUXILIARY FUEL TANK WELD		1	
8	Q67512	A-TYPE WORM TRANSMIS- SION HOSE CLAMP		2	
9	TE250.556B-02	BREATH HOSE		1	
10	Q67645	B-TYPE WORM TRANSMIS- SION HOSE CLAMP		4	
11	TE250.556B-01	OIL INLET RUBBLE HOSE		1	
12	TE250.556B-04	HOLLOW BOLT		1	
13	JBT982-27	COMBINED SEAL GASKET		2	
14	TE250.556B-03	OIL PIPE JOINT		1	

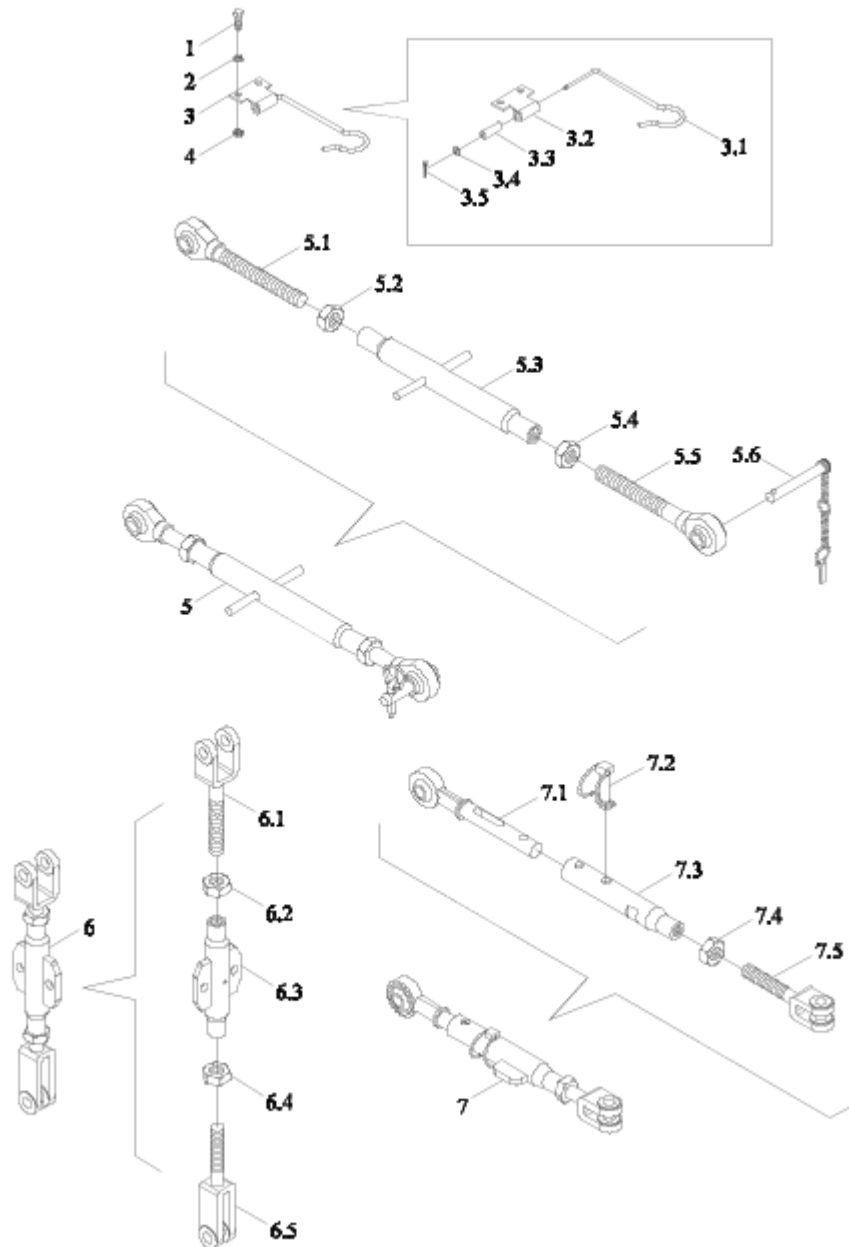
TE354. 56-1



TE354. 56-1

No.	Part No.	Description	Version	QTY.	Remark
1	GBT91-5X32-A0P	PIN		2	
2	GBT97.1-18-A0P	WASHER		2	
3	TE300.56.3a	LIMIT ROD ASSEMBLY		2	
4	GBT882-B18X55	PIN SHAFT		2	
5	GBT91-3.2X36-A0P	PIN		6	
6	GBT97.1-20-A0P	WASHER		8	
7	FT300.56A.103	BUSH		4	
8	TE300.56.4a	RIGHT LIMITING ROD BRACKET WELDMENT		1	
9	GBT16674.1-M14X30-10.9-A3L	HEXAGON FLANGE NUT		8	
10	GBT6172.1-M12-04-A3L	HEXAGON THIN NUT		1	
11	TE300.56-07	LIMITING ROD CONNECT- ING PIN		2	
12	FT300.56A.101	LIFTING ROD UPPER CON- NECTING PIN		2	
13	TE300.56.5a	LEFT LIMITING ROD BRACKET WELDMENT		1	
14	TE300.56-03	LIFTING ROD LOWER CON- NECTING PIN		2	
15	TE354.56.1	LIFTING ROD ASSEMBLY		2	
16	GBT91-4X40-A0P	PIN		2	
17	GBT6178-M20-8	HEXAGON SLOTTED NUT, STYLE 1		2	
18	TE300.56-01	LIMITING ROD REAR CON- NECTING PIN		2	
19	TE300.56.1	LOWER PULL ROD ASSEMBLY		2	
20	TE300.56-02	CIRCULAR PLATE		2	
21	GBT6178-M16-8	HEXAGON SLOTTED NUT, STYLE 1		2	
22	GBT91-4X36-A0P	PIN		2	
23	TE300.56-04	LOWER PULL ROD FIXING SHAFT		1	
24	FT250.56.125	THRUST SCREW		1	

TE354. 56-2



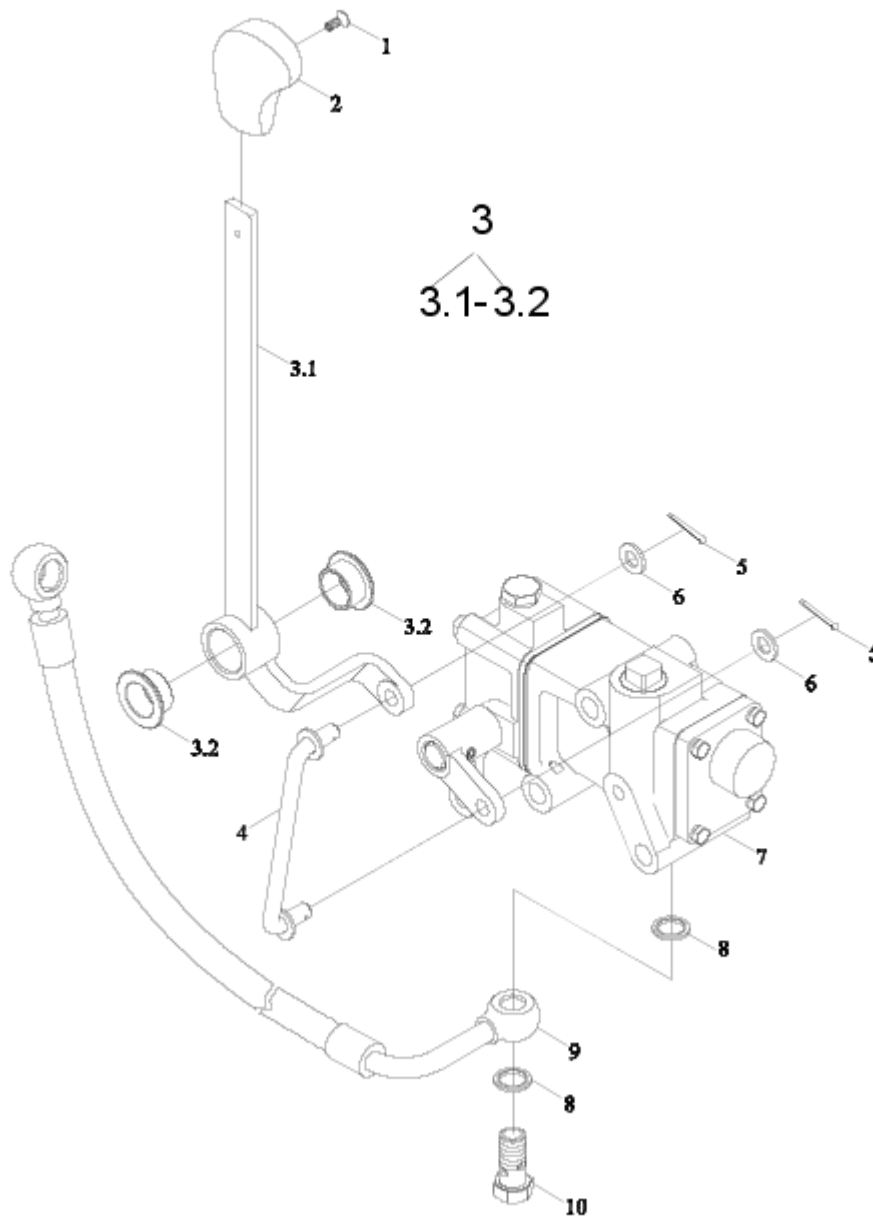
TE354. 56-2

No.	Part No.	Description	Ver- sion	QTY.	Remark
1	GBT5783-M8X16-8.8-A2L	HEXAGON BOLT		1	
2	GBT93-8-A0P	SPRING WASHER		1	
3	TE300.56.6	UPPER PULL ROD FIXED CLIP COMBINATION		1	
3.1	TE300.56.6-02	UPPER PULL ROD FIXING CLIP		1	
3.2	TE300.56.6-01	FIXING SEAT		1	
3.3	TE300.56.6-03	NYLON BUSH		1	
3.4	GBT96.1-6-A0P	BIG WASHER		1	
3.5	GBT91-2X14-A0P	SPLIT PIN		1	
4	GBT6170-M8-8-A2L	HEXAGON NUT, TYPE-1		1	
5	FT250.56.012a	UPPER PULL ROD ASSEMBLY		1	
5.1	FT250.56.017	UPPER PULL ROD FRONT ADJUSTING ROD ASSEMBLY		1	
5.2	GBT6171-M22X1.5-8-A3L	HEXAGON NUT, TYPE-1		1	
5.3	FT250.56.031	ADJUSTING SCREW WELDMENT		1	
5.4	GBT6171-M22X1.5-LH-8- A3L	HEXAGON NUT, TYPE-1		1	
5.5	FT250.56.019	UPPER PULL ROD REAR ADJUSTING ROD ASSEMBLY		1	
5.6	FT300.56A.113	LOCKING PIN CHAIN ASSEMBLY		1	
6	TE354.56.1	LIFTING ROD ASSEMBLY		1	
6.1	TE354.56.1-01	LIFTING ROD UPPER CON- NECTING FORK		1	
6.2	TE300.56.2-03	NUT		1	
6.3	TE300.56.2.1a	LIFTING SOLENOID WELDMENT		1	
6.4	TE300.56.2-04	NUT		1	
6.5	TE300.56.2-01a	LIFTING ROD LOWER CON- NECTING FORK		1	
7	TE300.56.3a	LIMIT ROD ASSEMBLY		1	
7.1	TE300.56.3A.1	EXTENSIBLE ROD BALL ASSEMBLY		1	
7.2	FT300.56A.023(J)	LIMITING ROD LOCK PIN ASSEMBLY		1	

TE354. 56-2 (cont ' d.)

No.	Part No.	Description	Ver- sion	QTY.	Remark
7.3	TE300.56.3A-01	EXTENSIBLE GUIDE PIPE		1	
7.4	GBT6170-M22-8-A9L	HEXAGON NUT, TYPE-1		1	
7.5	TE300.56.3A-02	LIMITING ROD ADJUSTING SCREW		1	

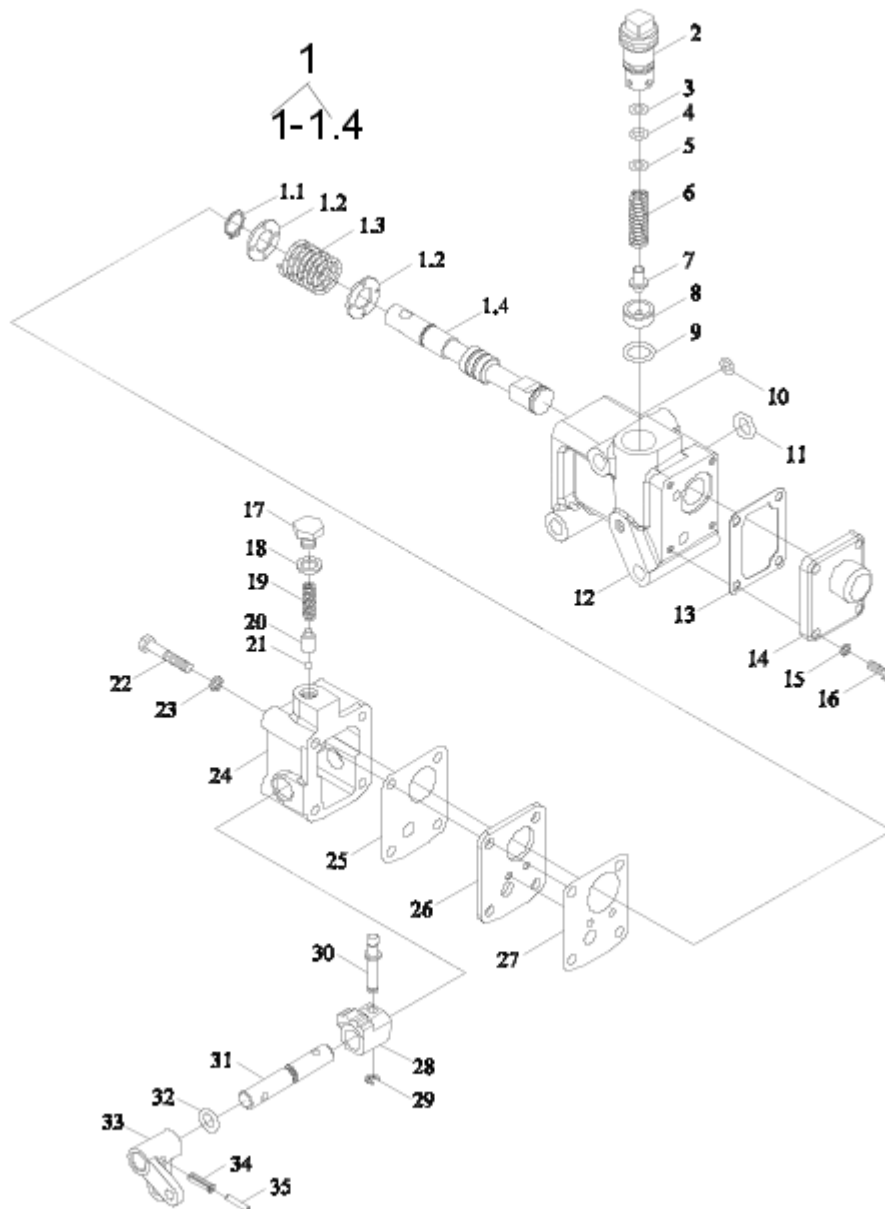
TE354. 57-1



TE354. 57-1

No.	Part No.	Description	Version	QTY.	Remark
1	GBT68-M4X10-4.8-A2L	SLOTTED SCREW		1	
2	TB504.552-04	HANDLE HEAD		1	
3	TE354.57.1	CONTROL ARM ASSEMBLY		1	
3.1	TE354.57.1.1	CONTROL ARM WELDMENT		1	
3.2	TE250.57.2-01	NYLON BUSH		2	
4	TE250.57.3	PULL ROD WELDMENT		1	
5	GBT91-2X18-A0P	SPLIT PIN		2	
6	GBT97.1-8-A0P	FLAT WASHER		2	
7	TE250.57.1	DISTRIBUTOR ASSEMBLY		1	
8	JBT982-18	COMBINED SEAL GASKET		2	
9	TE354.57.2	DISTRIBUTOR OIL INLET PIPE ASSEMBLY		1	
10	FT654.58.112	HOLLOW BOLT -3		1	

TE354. 57-2



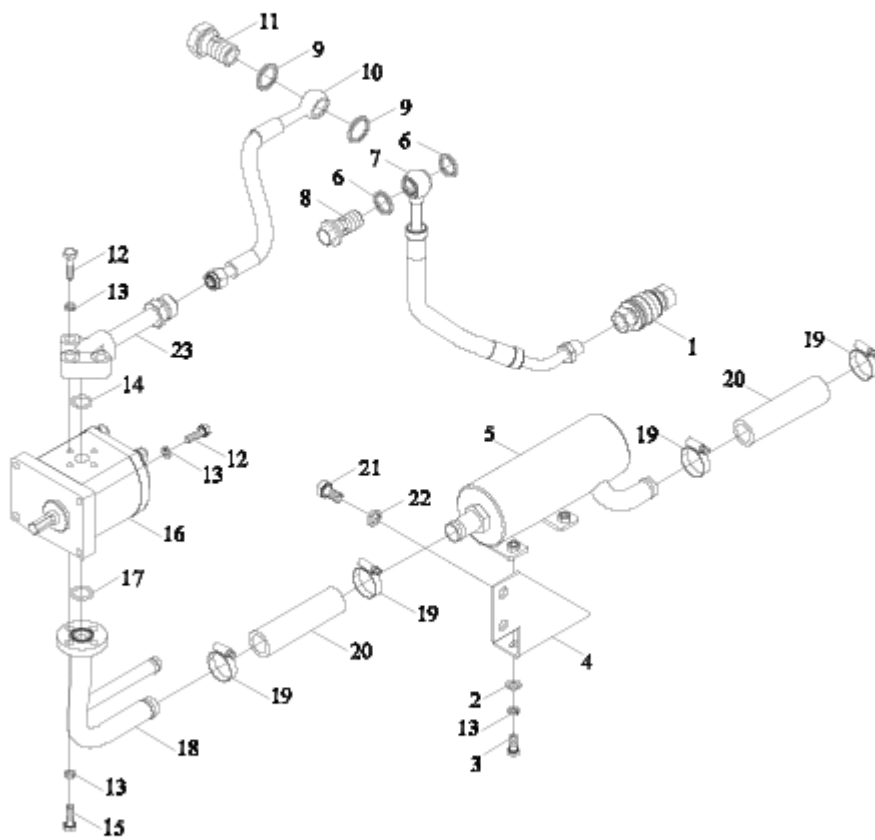
TE354. 57-2

No.	Part No.	Description	Ver- sion	QTY.	Remark
	TE250.57.1	DISTRIBUTOR ASSEMBLY		1	
1	FT250.57.010	SLIDING VALVE ASSEMBLY		1	
1.1	GBT894.1-15	RETAINER RING		1	
1.2	FT250.57.115	SPRING RETAINER PIECE		2	
1.3	FT250.57.114	SLIDING VALVE RETURN SPRING		1	
1.4	FT250.57.113	SLIDING VALVE		1	
2	FT250.57.128	PRESSURE PLUG		1	
3	FT250.57.110	ADJUSTING WASHER		1	
4	FT250.57.111	ADJUSTING WASHER		1	
5	FT250.57.112	ADJUSTING WASHER		1	
6	FT250.57.129	SAFETY VALVE SPRING		1	
7	FT250.57.131	SAFETY VALVE CORE		1	
8	FT250.57.101	SAFETY VALVE SEAT		1	
9	GBT3452.1-15.0X2.65G	RUBBER O-SEAL RING		1	
10	GBT3452.1-13.2X2.65G	RUBBER O-SEAL RING		1	
11	GBT3452.1-19.0X2.65G	RUBBER O-SEAL RING		1	
12	FT250.57.104	DISTRIBUTOR HOUSING		1	
13	FT250.57.103	FRONT COVER PAPER GASKET		1	
14	FT250.57.102	FRONT COVER		1	
15	GBT93-5-A0P	STANDARD SPRING WASHER		4	
16	GBT5781-M5X16-4.8-A2L	HEXAGON BOLT		4	
17	FT250.57.123	SCREW PLUG		1	
18	FT250.57.124	WASHER		1	
19	FT250.57.122	LOCATING SPRING		1	
20	FT250.57.121	LOCATING SPRING SEAT		1	
21	GBT308-5-G100-B	STEEL BALL		1	
22	GBT5780-M6X55-4.8-A1L	HEXAGON BOLT		4	
23	GBT93-6-A0P	STANDARD SPRING WASHER		4	
24	FT250.57.108	REAR COVER		1	
25	FT250.57.107	REAR COVER PAPER GASKET		1	
26	FT250.57.106	RETAINER PLATE		1	

TE354. 57-2 (cont 'd.)

No.	Part No.	Description	Ver- sion	QTY.	Remark
27	FT250.57.105	RETAINER PLATE PAPER GASKET		1	
28	FT250.57.119	LOCATING BLOCK		1	
29	GBT896-4	SPLIT RETAINER RING		1	
30	FT250.57.120	DIAL PIN		1	
31	TE250.57.1-01	HANDLE SHAFT		1	
32	GBT3452.1-9.50X2.65A	RUBBER O-SEAL RING		1	
33	TE250.57.1-02	CONTROL ROCKER 1		1	
34	GBT879.1-6X22	SPRING COLUMN PIN		1	
35	GBT879.1-4X22	SPRING COLUMN PIN		1	

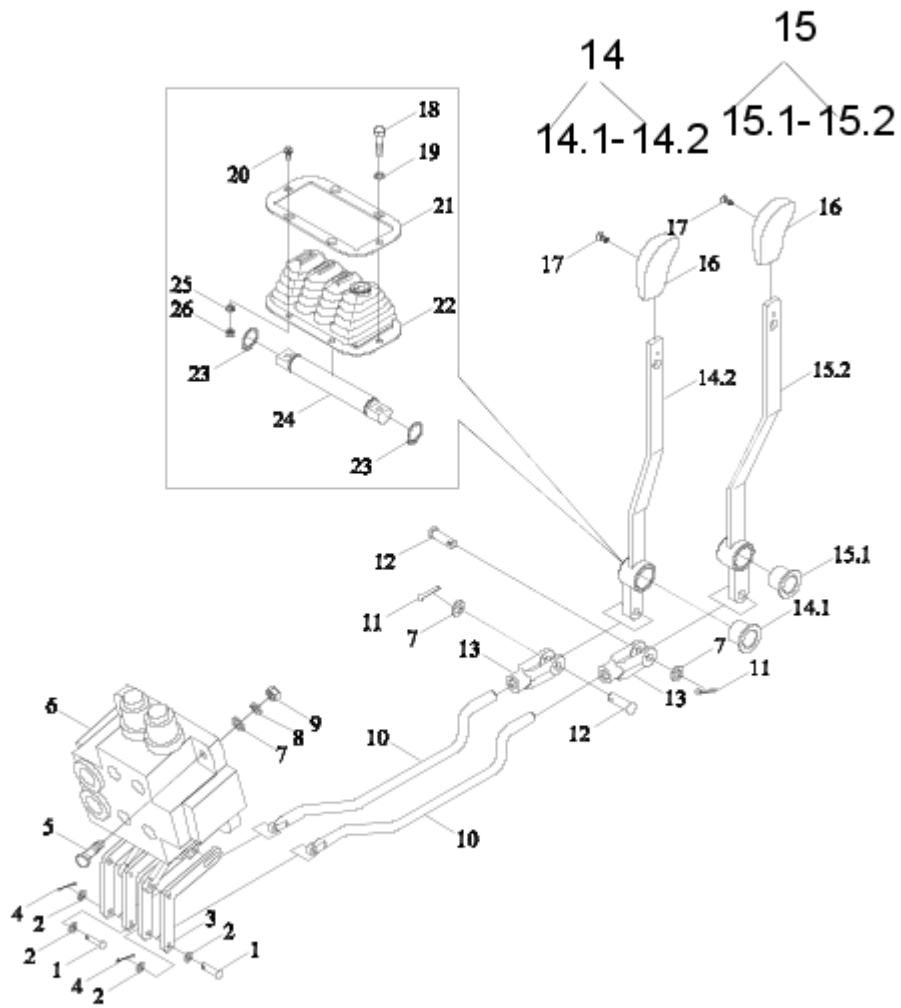
TE354. 581A



TE354. 581A

No.	Part No.	Description	Ver- sion	QTY.	Remark
1	FT354.58A.030	QUICK CHANGING JOINT		1	
2	GBT95-8-A0P	FLAT WASHER		2	
3	GBT5783-M8X20-8.8-A2L	HEXAGON BOLT		2	
4	TE354.581-01	OIL FILTER FIXING PLATE WELD		1	
5	TE254.581H.3	OIL SUCTION FILTER ASSEMBLY		1	
6	JBT982-20	COMBINED SEAL GASKET		2	
7	TE254.582H.10	STEADY FLOW VALVE OIL OUTLET PIPE WELDMENT		1	
8	FT254.40.102	HOLLOW BOLT		1	
9	JBT982-24	COMBINED SEAL GASKET		2	
10	TE354.581.4	OIL RETURN RUBBER HOSE OF SINGLE PATH STABILIZER DIVERTER VALVE		1	
11	FT254.58.132	HOLLOW BOLT M24X1.5		1	
12	GBT5783-M8X30-8.8-A2L	HEXAGON BOLT		7	
13	GBT93-8-A0P	STANDARD SPRING WASHER		13	
14	GBT3452.1-18.0X2.65G	RUBBER O-SEAL RING		1	
15	GBT70.1-M8X25-8.8-A2L	HEXAGON BOLT		4	
16	TB504.581B.6	GEAR PUMP		1	
17	GBT3452.1-21.2X1.80G	RUBBER O-SEAL RING		1	
18	TE354.581.1	OIL SUCTION PIPE WELDMENT		1	
19	Q67535	A-TYPE WORM TRANSMIS- SION HOSE CLAMP		4	
20	FT254.58.135	RUBBER HOSE		2	
21	GBT5783-M12X20-8.8-A3L	HEXAGON BOLT		2	
22	GBT93-12-A0P	STANDARD SPRING WASHER		2	
23	TE354.581.2a	OIL OUTLET TUBE WELD- MENT OF GEAR PUMP		1	

TE354. 582-1



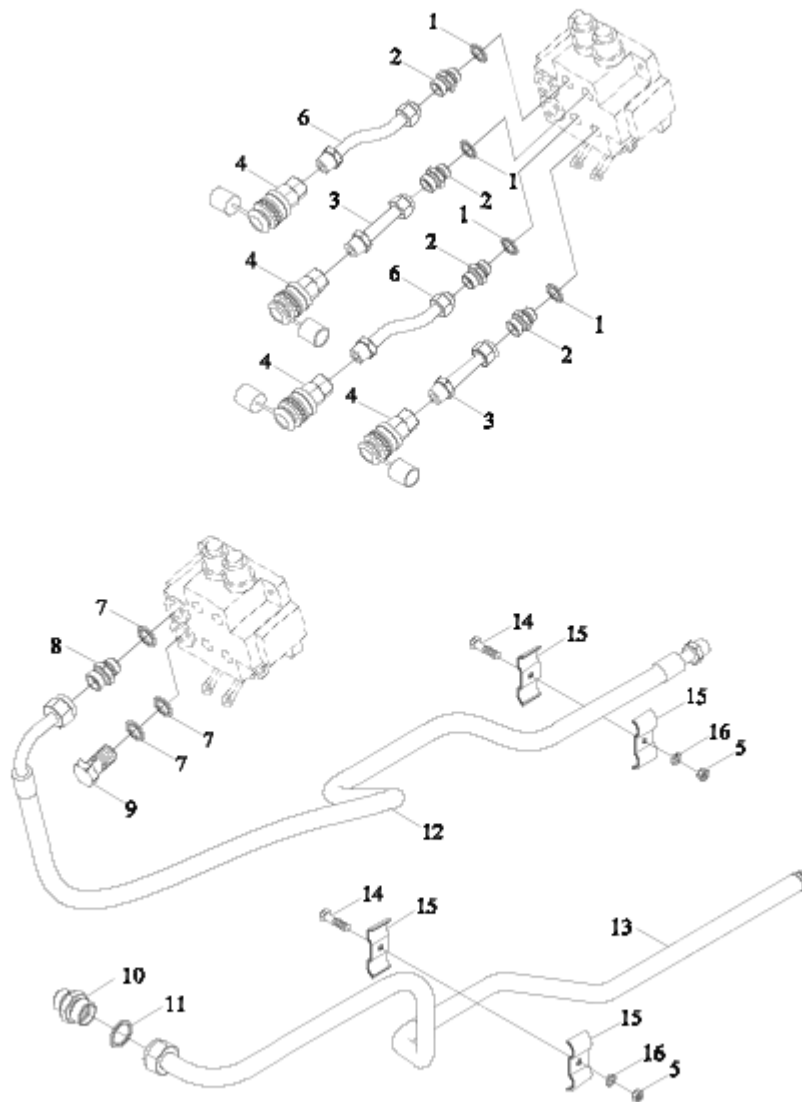
TE354. 582-1

No.	Part No.	Description	Version	QTY.	Remark
1	GBT882-B5X22	PIN SHAFT		6	
2	GBT95-5-A0P	FLAT WASHER		12	
3	TE354.582-01	MULTI-WAY VALVE ROCK- ER ARM		4	
4	GBT91-1.6X20-A0P	SPLIT PIN		6	
5	GBT5783-M8X30-8.8-A2L	HEXAGON BOLT		3	
6	TE254.582H.2	MULTI-WAY VALVE ASSEMBLY		1	
7	GBT95-8-A0P	FLAT WASHER		5	
8	GBT93-8-A0P	STANDARD SPRING WASHER		3	
9	GBT6170-M8-8-A2L	HEXAGON NUT, TYPE-1		3	
10	TE354.582-02	PULL ROD		2	
11	GBT91-3.2X20-A0P	SPLIT PIN		2	
12	GBT882-B8X28	PIN SHAFT		2	
13	TE354.582-05	PULL ROD FORK		2	
14	TE354.582.4	CONTROL HANDLE COM- PRESSION II		1	
14.1	TE254.582H.11-01	NYLON SLEEVE		1	
14.2	TE354.582.4.1	CONTROL HANDLE WELD II		1	
15	TE354.582.2	CONTROL HANDLE COM- PRESSION I		1	
15.1	TE254.582H.11-01	NYLON SLEEVE		1	
15.2	TE354.582.2.2	CONTROL HANDLE AS- SEMBLY OF MULTI-WAY VALVE II		1	
16	TB504.552-04	HANDLE HEAD		2	
17	GBT68-M4X10-4.8-A2L	SLOTTED SCREW		2	
18	GBT5783-M6X35-8.8-A1L	HEXAGON BOLT		2	
19	GBT93-6-A0P	STANDARD SPRING WASHER		2	
20	GBT819.2-M5X20-8.8-A2L	SCREW		4	
21	TE254.582H-10	STEEL PLATE MAT		1	
22	TE254.582H-09	SEAL SLEEVE		1	
23	GBT894.1-18	CIRCLIP FOR SHAFT		2	
24	TE254.582H-07	ROTARY SHAFT		1	

TE354. 582-1 (cont'd.)

No.	Part No.	Description	Version	QTY.	Remark
25	GBT93-5-A0P	STANDARD SPRING WASHER		4	
26	GBT6170-M5-8-A2L	HEXAGON NUT, TYPE-1		4	

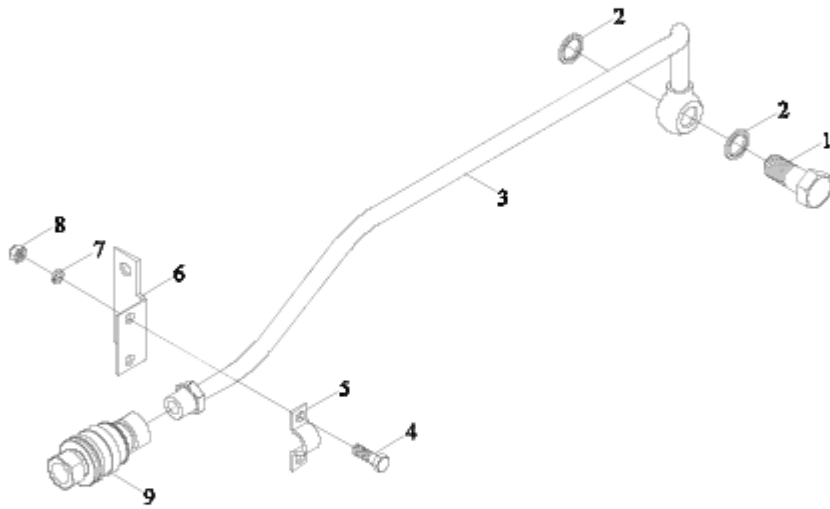
TE354. 582-2



TE354. 582-2

No.	Part No.	Description	Version	QTY.	Remark
1	JBT982-18	COMBINED SEAL GASKET		4	
2	GBT3733.2-G14	STRAIGHT PIPE JOINT BODY		4	
3	TE354.582.5	TRANSITION RIGID TUBE ASSEMBLY		2	
4	FT354.58A.030	QUICK CHANGING JOINT		4	
5	GBT6170-M6-8-A2L	HEXAGON NUT, TYPE-1		2	
6	TE354.582.6	OIL OUTPUT PIPE ASSEMBLY		2	
7	JBT982-22	COMBINED SEAL GASKET		3	
8	FT654.58B.102	STRAIGHT THREAD JOINT BODY 1		1	
9	FT654.58.107	HOLLOW BOLT -1		1	
10	TE354.582-04	JOINT BODY		1	
11	JBT982-27	COMBINED SEAL GASKET		1	
12	TE354.582.1	OIL INLET TUBE ASSEM- BLY OF MULTI-WAY VALVE		1	
13	TE354.582.3	OIL SUCTION PIPE ASSEMBLY		1	
14	GBT5783-M6X30-8.8-A2L	HEXAGON BOLT		2	
15	TE354.582.7	PIPE CLAMP		4	
16	GBT93-6-A0P	STANDARD SPRING WASHER		4	

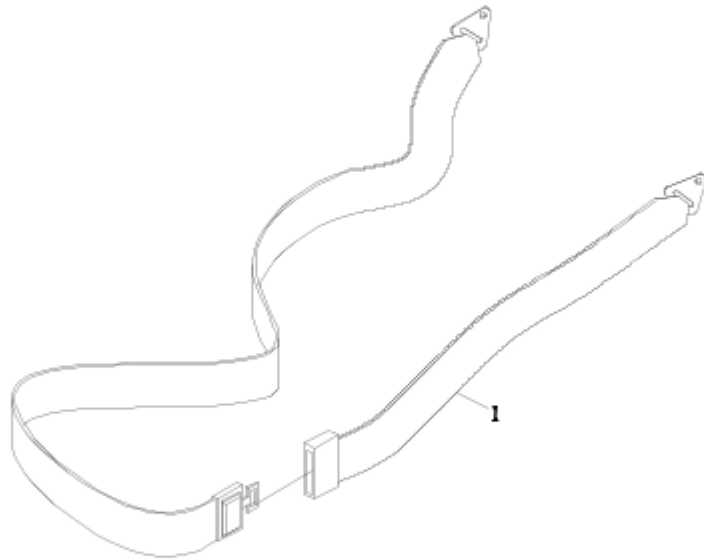
TE354. 583



TE354. 583

No.	Part No.	Description	Version	QTY.	Remark
1	FT250.55.119	HOLLOW BOLT		1	
2	JBT982-18	COMBINED SEAL GASKET		2	
3	TE354.583.1	OIL OUTLET PIPE WELD- MENT ASSEMBLY		1	
4	GBT5783-M8X20-8.8-A2L	HEXAGON BOLT		2	
5	FT250.55.120	PIPE CLAMP		1	
6	FT250.56.144	OIL PIPE BRACKET		1	
7	GBT93-8-A0P	STANDARD SPRING WASHER		2	
8	GBT6170-M8-8-A2L	HEXAGON NUT, TYPE-1		2	
9	FT354.58A.030	QUICK CHANGING JOINT		1	

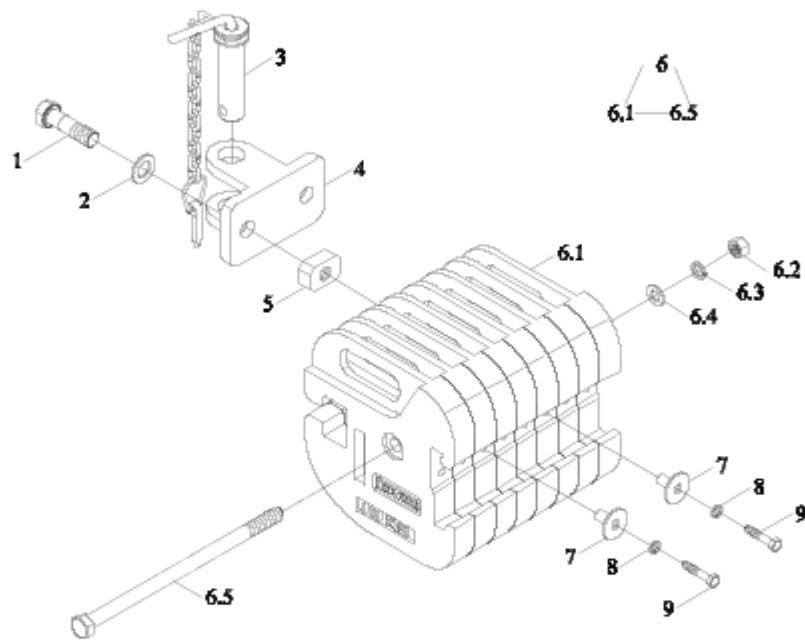
TA600. 62



TA600. 62

No.	Part No.	Description	Ver- sion	QTY.	Remark
1	TA600.62	SAFETY BELT		1	

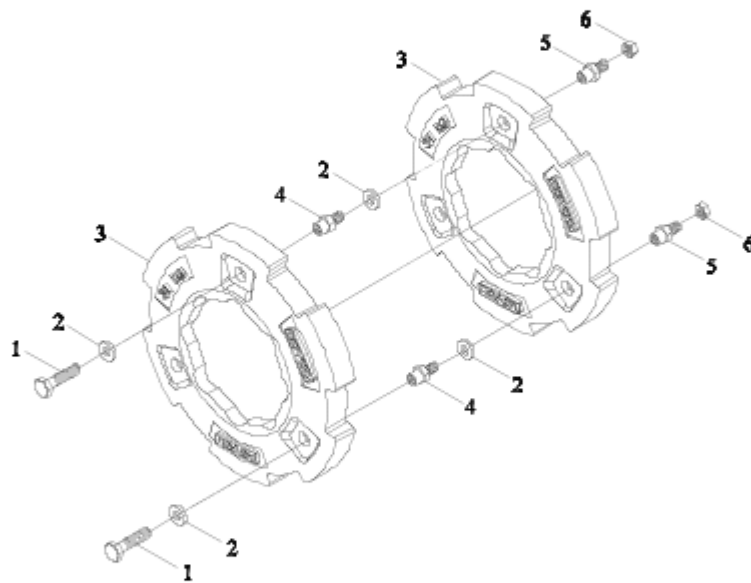
TE254. 742



TE254. 742

No.	Part No.	Description	Ver- sion	QTY.	Remark
1	TE254.742-04	TOWING BOLT		2	
2	GBT97.1-20-A0P	FLAT WASHER		2	
3	TB400.74A.2	TOWING PIN AND LOCK PIN ASSEMBLY		1	
4	TE254.742-02	TOWING LUG		1	
5	FT650.74.108	TOWING NUT		2	
6	TE254.742.2	FRONT BALLAST SMALL ASSEMBLY		1	
6.1	TE254.742-01	BALLAST BLOCK		8	
6.2	GBT6170-M16-8-A3L	HEXAGON NUT, TYPE-1		1	
6.3	GBT93-16-A0P	STANDARD SPRING WASHER		1	
6.4	GBT97.1-16-A0P	FLAT WASHER		1	
6.5	TE254.742-03	CONNECTING BOLT		1	
7	TE254.742.3	BASE PLATE		2	
8	GBT93-10-A0P	STANDARD SPRING WASHER		2	
9	GBT5783-M10X45-8.8-A3L	HEXAGON BOLT		2	

FT250. 91B. 001



FT250.91B.001

No.	Part No.	Description	Version	QTY.	Remark
1	TE350.91-04	HEXAGON BOLT		3	
2	FT650.34.104	WASHER		6	
3	FT250.91B.101	REAR BALLAST		2	
4	FT250.91B.103	BALLAST SCREW II		3	
5	FT250.91B.102	BALLAST SCREW I		3	
6	GBT6171-M16X1.5-8-A3L	HEXAGON NUT, TYPE-1		3	