

LOVOL

**Lovol Tractor Illustration
books of parts
(TL1A254-011C)**

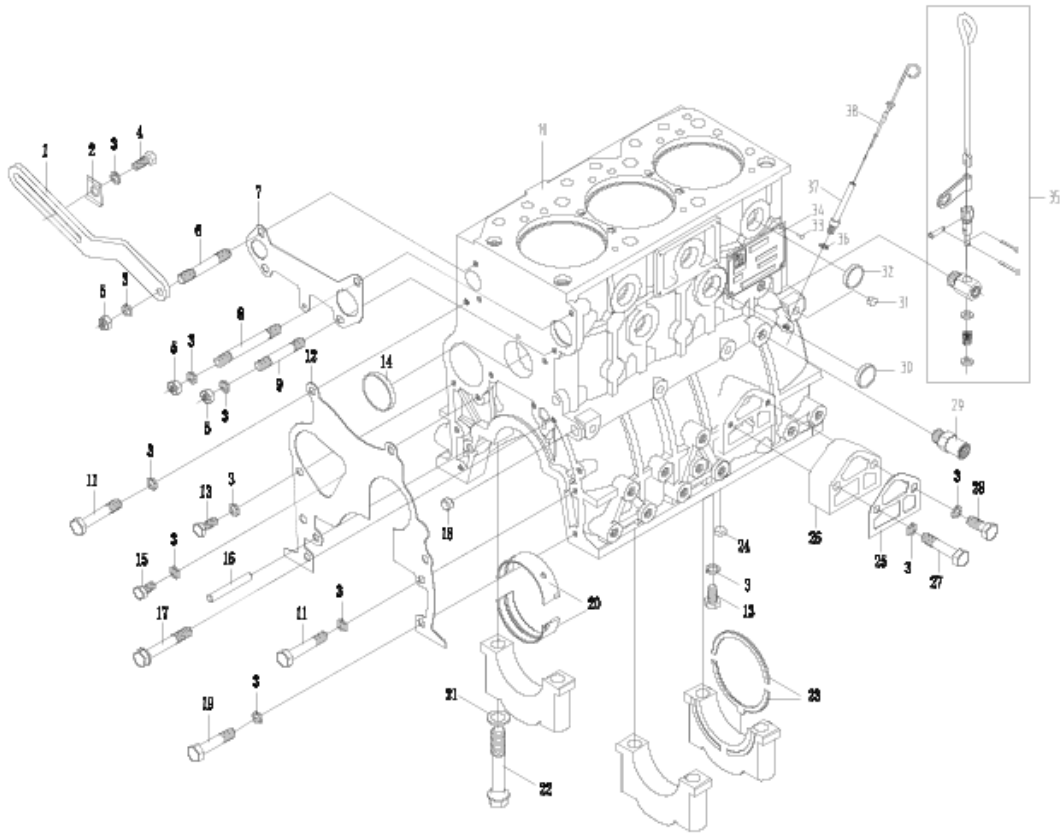
Lovol Heavy Industry International Trading Co.,Ltd

CONTENTS

◆ KM385BT-1G2 ENGINE ASSY	1
◆ TE250. 11J AIR FILTER SYSTEM ASSEMBLY	34
◆ TE250. 13 COOLING SYSTEM ASSEMBLY	36
◆ TE254. 133B WATER GUARD NET INSTALLATION ASSEMBLY	38
◆ FT250. 20B. 017 EXTINGUISH WIRE ASSEMBLY	40
◆ TE254. 201B HAND THROTTLE ASSEMBLY	42
◆ TE254. 202A FOOT THROTTLE ASSEMBLY	44
◆ TE250. 211 CLUTCH SUBASSEMBLY	46
◆ TE250. 212D CLUTCH CONTROL ASSEMBLY	48
◆ TE250. 22 EXHAUST SYSTEM ASSEMBLY	50
◆ TE254. 314G REAR SUPPORTING SEAT ASSEMBLY	52
◆ TE254. 311G FRONT DRIVING AXLE ASSEMBLY	54
◆ TE254. 312K BRACKET ASSEMBLY	72
◆ TE254. 313G FRONT SUPPORT SEAT ASSEMBLY	74
◆ TE284. 32F FRONT DRIVING WHEEL ASSEMBLY	76
◆ FT250. 34F. 001 REAR DRIVING WHEEL ASSEMBLY	78
◆ TE250. 35C TOWING MECHANISM INSTALLATION ASSEMBLY	80
◆ TE254. 361B SHUTTLE SHIFT ASSEMBLY	82
◆ TE250. 362M SHUTTLE SHIFT CONTROL MECHANISM ASSEMBLY	88
◆ TE250. 371F TRANSMISSION CASE ASSEMBLY	90
◆ TE250. 372F REAR CENTRAL ASSEMBLY OF TRANSMISSION CASE	98
◆ TE250. 373F TRANSMISSION CASE CONTROL MECHANISM ASSEMBLY	104
◆ TE250. 391C FINAL TRANSMISSION ASSEMBLY (LEFT)	112
◆ TE250. 392C FINAL TRANSMISSION ASSEMBLY (RIGHT)	114
◆ TE250. 401A STEERING WHEEL ASSEMBLY	116
◆ TE254. 402F STEERING PIPE ASSEMBLY	118
◆ TL01403020000K ADJUSTING STEERING COLUMN INSTALLATION ASSEMBLY	122
◆ TE250. 411B PTO SHAFT ASSEMBLY	124
◆ TE250. 412E PTO GEAR ASSEMBLY	126
◆ TE250. 413D PTO CONTROL MECHANISM ASSEMBLY	128
◆ TE254. 421B TRANSFER CASE ASSEMBLY	131
◆ TE254. 422A TRANSFER CASE TRANSMISSION SHAFT ASSEMBLY	134
◆ TE254. 423C TRANSFER CASE CONTROL ASSEMBLY	136
◆ TE250. 431 BRAKE ASSEMBLY	138
◆ TE250. 433C BRAKE CONTROL ASSEMBLY	140

◆ TE250. 44E SEAT INSTALLATION ASSEMBLY	147
◆ TE254. 457 FRONT CONNECTING ASSEMBLY	149
◆ TE254. 458 REAR CONNECTING ASSEMBLY	151
◆ TE250. 46R SAFETY FRAME ASSEMBLY	153
◆ TE250. 471C BONNET INSTALLATION ASSEMBLY	155
◆ TE250. 472F FLOOR INSTALLATION ASSEMBLY	157
◆ TE300. 473 FRONT MUD GUARD INSTALLATION ASSEMBLY	162
◆ TE250. 474D DASHBOARD INSTALLATION ASSEMBLY	164
◆ TE250. 476D BONNET PNEUMATIC SPRING INSTALLATION ASSEMBLY	166
◆ TE250. 477 BONNET LOCK INSTALLATION ASSEMBLY	168
◆ TL01481020000K ENGINE HARNESS INSTALLATION ASSEMBLY	170
◆ TL01482300000K BODY HARNESS INSTALLATION ASSEMBLY	172
◆ TL01483030000K FRONT LAMP HARNESS INSTALLATION ASSEMBLY	174
◆ TL01484320000K REAR LAMP HARNESS INSTALLATION ASSEMBLY	176
◆ TE300. 485C BATTERY INSTALLATION ASSEMBLY	179
◆ TL01487010000K COMBINED INSTRUMENT ASSEMBLY	181
◆ FT300. 49. 001 TOOL BOX ASSEMBLY	183
◆ TE254. 50A OIL TANK INSTALLATION ASSEMBLY	185
◆ TE250. 55A LIFTER INSTALLATION ASSEMBLY	187
◆ TE250. 556B HYDRAULIC AUXILIARY OIL TANK ASSEMBLY	196
◆ TE250. 56E SUSPENSION ASSEMBLY	198
◆ TE250. 57 DISTRIBUTOR AND CONTROL MECHANISM ASSEMBLY	202
◆ TE254. 581H OIL PUMP/PIPE/FILTER ASSEMBLY	207
◆ TE254. 582H MULTI-WAY VALVE OIL PIPE ASSEMBLY	209
◆ TE250. 583 SINGLE-WAY HYDRAULIC OUTPUT ASSEMBLY 1	215
◆ TA600. 62 SAFETY BELT INSTALLATION ASSEMBLY	217
◆ TE254. 742 FRONT BALLAST ASSEMBLY	219
◆ FT250. 91B. 001 REAR BALLAST ASSEMBLY	221

KM385BT-1G2 ENGINE ASSY-1



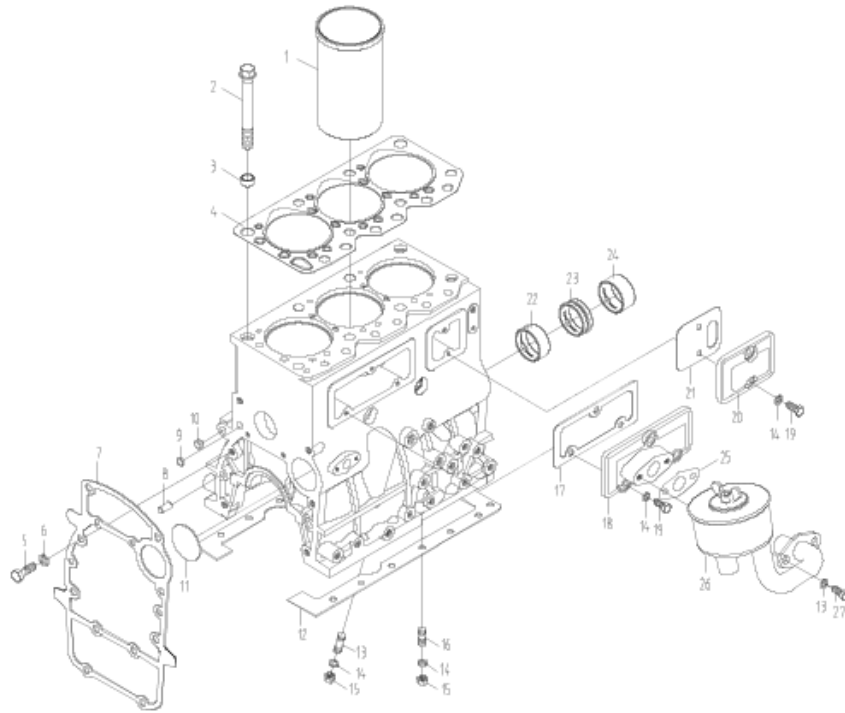
KM385BT-1G2 ENGINE ASSY-1

No.	Part No.	Description	Version	QTY.	Remark
	KM385BT-1G2	ENGINE ASSY			
1	KM385T-01029	GENERATOR ADJUSTABLE SUPPORT		1	
2	GBT97.1-8	WASHER		1	
3	GBT93-8	WASHER		8	
4	GBT5783-M8X35	BOLT		1	
5	GBT6170-M8	NUT		4	
6	GBT898-AM8X65-8.8	STUD		1	
7	L375-01006	WATER PUMP REAR COV- ER GASKET		1	
8	GBT898-AM8X90-8.8	STUD		1	
9	GBT898-AM8X60-8.8	STUD		2	
10	KM385T-01110	CYLINDER BLOCK		1	
11	GBT5782-M8X55	STUD		6	
12	L375-01007	GEAR CHAMBER GASKET		1	
13	GBT5783-M8X20	BOLT		2	
14	D495QB-01024	BOWL SHIM Φ 55		1	
15	GBT5783-M8X16	BOLT		2	
16	GBT119-B8X50	PIN		3	
17	4L22BT-01021	IDLE BOLT		2	
18	L375-01104	MAIN OIL LINE PLUG		1	
19	L375-01106	LOCATING SLEEVE OF MAIN BEARING COVER		2	
20	KM485QB-01015/01016	MAIN BEARING		5	
21	L375-01110	MAIN BEARING COVER BOLT WASHER		10	
22	L375-01111	MAIN BEARING COVER BOLT		10	
23	KM485QB-01007/01008	CRANKSHAFT THRUST PIECE		2	
24	D495QB-03109	PLUG PIECE		1	
25	L375-01027	OIL FILTER GASKET		1	
26	KM385T-01027	OIL FILTER WASHER BLOCK		1	
27	GBT5782-M8X50	BOLT		1	
28	GBT5783-M8X25	BOLT		1	
29	KM385T-01035	OIL PRESSURE GAUGE JOINT		1	

KM385BT-1G2 ENGINE ASSY-1 (cont'd.)

No.	Part No.	Description	Version	QTY.	Remark
30	D495QB-03109	PLUG PIECE		2	
31	L375-01105-1	TAPER PLUG		4	
32	D495QB-01024	PLUG PIECE		3	
33	GBT827-2X6	RIVET		4	
34	L375-03302-9	NAME PLATE		1	
35	4L22BT-01600	DRAIN SWITCH		1	
36	195-13007	WASHER		1	
37	L375-01320-1	OIL DIPSTICK PIPE WELDMENT		1	
38	KM385T-01310	OIL DIPSTICK PARTS		1	

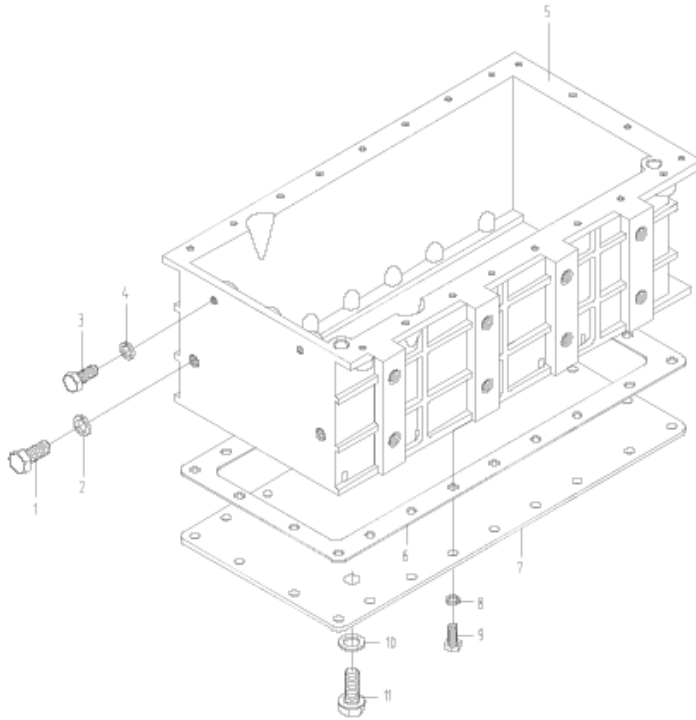
KM385BT-1G2 ENGINE ASSY-2



KM385BT-1G2 ENGINE ASSY-2

No.	Part No.	Description	Version	QTY.	Remark
1	KM485QB-01003	CYLINDER BUSH		3	
2	KM485QB-01005	CYLINDER COVER BOLT		8	
3	L375-01103	LOCATING SLEEVE		2	
4	KM385QB-01002	CYLINDER COVER GASKET		1	
5	GBT5783-M10X30	BOLT		6	
6	GBT93-10	WASHER		6	
7	KM385T-01018	FLYWHEEL HOUSING GASKET		1	
8	GBT119-B10X20	PIN		2	
9	L375-01115	PLUG PIECE		2	
10	L375-01104	MAIN OIL LINE PLUG		1	
11	L375-01102	PLUG PIECE		1	
12	KM385T-01019	OIL SUMP GASKET		1	
13	GBT898-AM8X22	STUD		1	
14	GBT93-8	WASHER		28	
15	GBT6170-M8	NUT		22	
16	GBT898-AM8X16	STUD		16	
17	LL380-01015	SIDE COVER GASKET 1		1	
18	LL380-01012	SIDE COVER-1		1	
19	GBT5783-M10X25	BOLT		5	
20	LL480-01013-3	SIDE COVER-2		1	
21	LL480-01014	SIDE COVER GASKET 2		1	
22	KM485QB-01114	REAR BUSH OF CAMSHAFT		1	
23	L375-01113	MIDDLE BUSH OF CAMSHAFT		1	
24	L375-01112	FRONT BUSH OR CAMSHAFT		1	
25	LL480-01011	BREATHER GASKET		1	
26	KM385T-01200-1	BREATHER PARTS		1	
27	GBT5783-M8X18	BOLT		2	

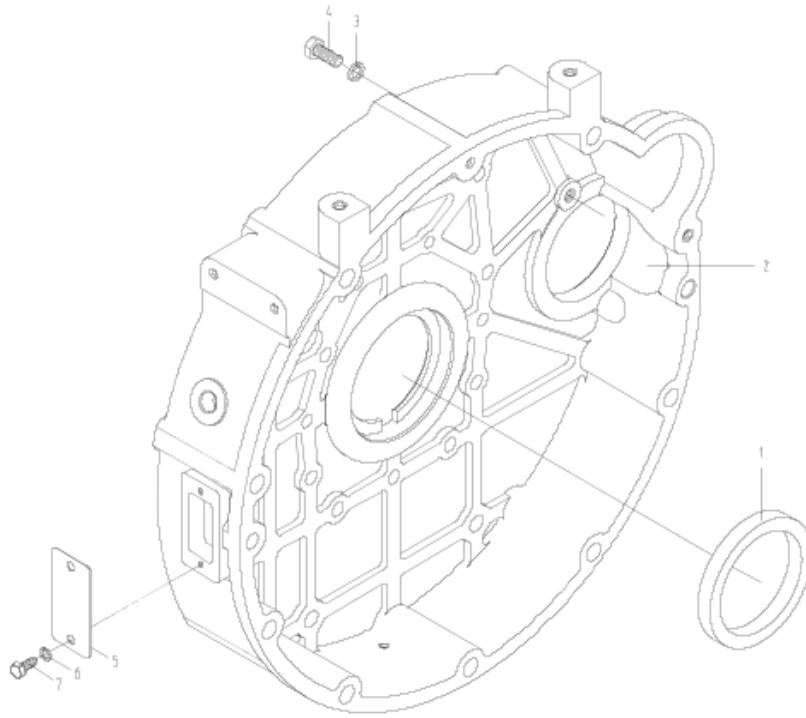
KM385BT-1G2 ENGINE ASSY-3



KM385BT-1G2 ENGINE ASSY-3

No.	Part No.	Description	Version	QTY.	Remark
1	GBT5783-M12X25	BOLT		2	
2	GBT93-12	WASHER		2	
3	GBT5783-M10X25	BOLT		2	
4	GBT93-10	WASHER		2	
5	KM385T-015101	OIL SUMP		1	
6	KM385T-015111	OIL SUMP COVER GASKET		1	
7	KM385T-015104S	OIL SUMP COVER		1	
8	GBT93-8	WASHER		18	
9	GBT5783-M8X18	BOLT		18	
10	LL380-01503	A TYPE COMBINED WASHER		1	
11	LL380-01501	OIL DISCHARGING SCREW PLUG		1	

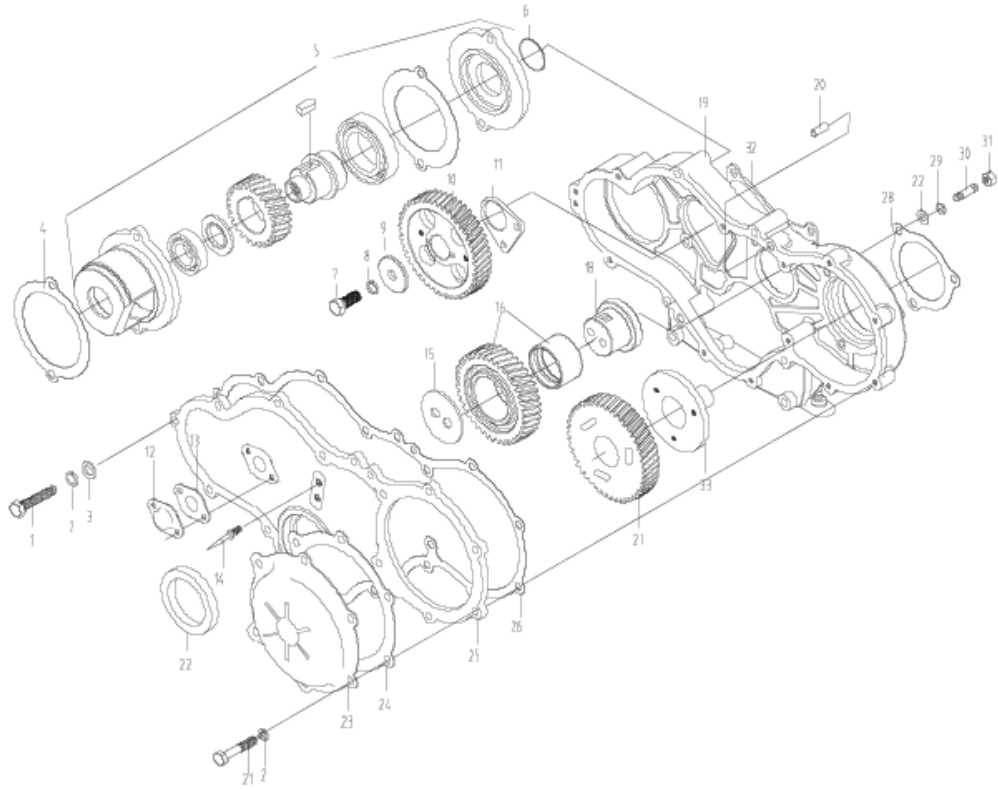
KM385BT-1G2 ENGINE ASSY-4



KM385BT-1G2 ENGINE ASSY-4

No.	Part No.	Description	Version	QTY.	Remark
1	JB2600-DL80X100X12	OIL SEAL		1	
2	KM385T-01010-4	FLYWHEEL HOUSING		1	
3	GBT93-10	WASHER		2	
4	GBT5783-M10X30	BOLT		2	
5	LL480-01025	COVER PLATE		1	
6	GBT93-10	WASHER		2	
7	GBT5783-M10X30	BOLT		2	

KM385BT-1G2 ENGINE ASSY-5



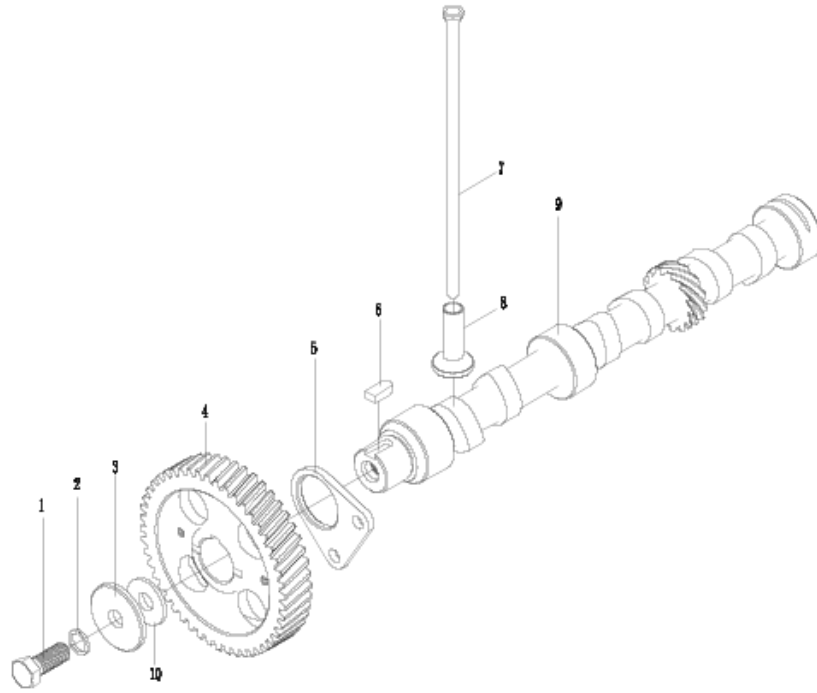
KM385BT-1G2 ENGINE ASSY-5

No.	Part No.	Description	Version	QTY.	Remark
1	GBT5783-M8X30	BOLT		1	
2	GBT97.1-8	WASHER		2	
3	GBT93-8	WASHER		1	
4	KM385T-01708	HYDRAULIC PUMP CONNECTING TRANSITION PLATE WASHER		1	
5	KM385T-01700-1	HYDRAULIC PUMP TRANSMISSION PARTS		1	
6	GBT3452.1-37.5X2.65	O-RING 9.3X2.2-M12X1.5		1	
7	GBT5783-M12X35	BOLT		1	
8	GBT97.1-12	WASHER		1	
9	4L22BT-02002	CAMSHAFT TIMING GEAR PRESSURE PLATE		1	
10	4L22BT-02011	CAMSHAFT TIMING GEAR		1	
11	L375-02004	CAMSHAFT TIMING GEAR CIRCLIP		1	
12	KM385T-01012	TIMING GEAR CASE COVER PLATE		1	
13	KM385T-01036	RPM SENSOR GASKET		1	
14	KM385T-01034	UPPER DEATH POINT FINGER		1	
15	L375-01014	IDLE GEAR PRESSURE PLATE		1	
16	KM385T-01400	IDLE GEAR BUSH WELDMENT		1	
17	KM385T-01401	TIMING IDLE GEAR BUSH		1	
18	KM385T-01038	TIMING IDLE GEAR SHAFT		1	
19	KM385T-01007	TIMING CASE		1	
20	GBT119-B8	PIN		1	
21	GBT5782-M8X55	BOLT		1	
22	JB2600-DR55X75X12F	FRAMEWORK OIL SEAL		1	
23	L375-01025-1	GEAR CHAMBER FRONT COVER		1	
24	L375-01030	GEAR CHAMBER FRONT COVER GASKET		1	
25	KM385T-01015	TIMING GEAR CASE COVER		1	
26	KM385T-01009	GEAR CHAMBER COVER GASKET		1	

KM385BT-1G2 ENGINE ASSY-5 (cont'd.)

No.	Part No.	Description	Version	QTY.	Remark
27	L480Q-01011	OIL INJECTION PUMP TIMING GEAR		1	
28	L375-01010A	OIL INJECTION PUMP GASKET		1	
29	GBT93-8	WASHER		1	
30	GBT898-AM8X20	DOUBLE END STUDS		1	
31	GBT6170-M8	NUT		1	
32	L375-01007	GEAR CHAMBER GASKET		1	
33	L375-01012	OIL INJECTION PUMP GEAR CONNECTING PLATE		1	

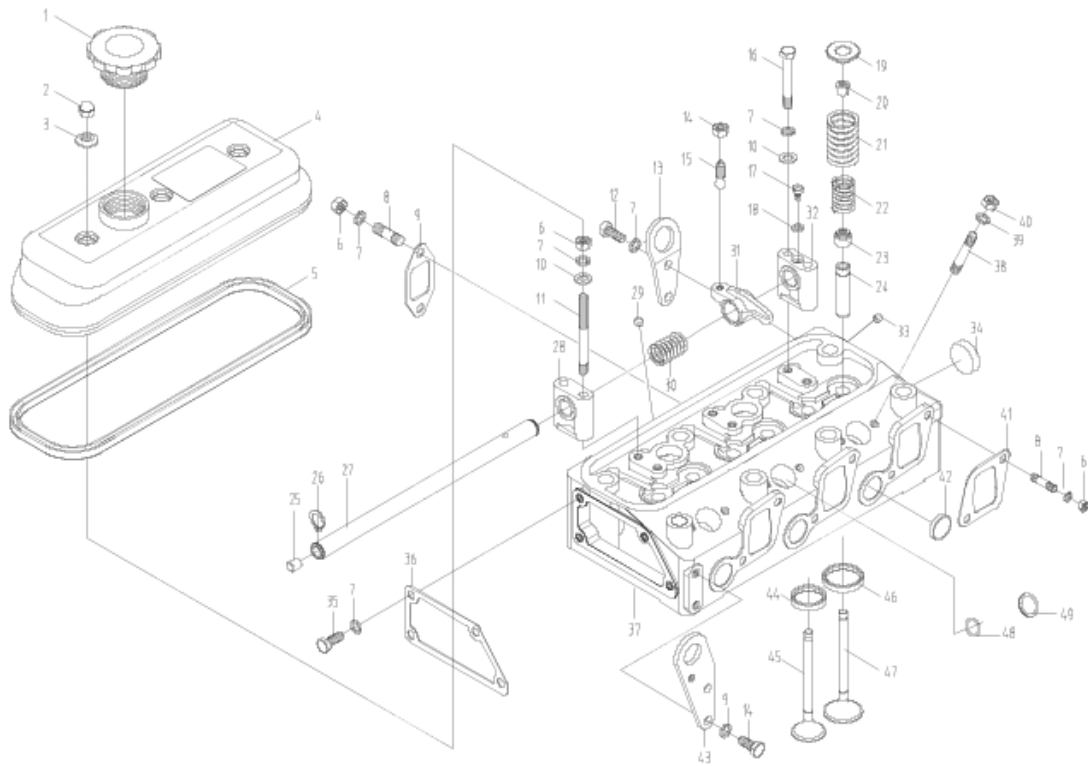
KM385BT-1G2 ENGINE ASSY-6



KM385BT-1G2 ENGINE ASSY-6

No.	Part No.	Description	Version	QTY.	Remark
1	GBT5783-M12X35	BOLT		1	
2	GBT93-12	WASHER		1	
3	L375-02004	CAMSHAFT GEAR CIRCLIP 1		1	
4	4L22BT-02011	CAMSHAFT TIMING GEAR		1	
5	L375-02002	CAMSHAFT THRUST PLATE		1	
6	GBT1096-C8X18	KEY		1	
7	LL480-02003	PUSH ROD		6	
8	L375-02005	TAP PTE		6	
9	L375-02001	CAM SHAFT		1	
10	KM385T-02013	CAMSHAFT GEAR CIRCLIP 2		1	

KM385BT-1G2 ENGINE ASSY-7



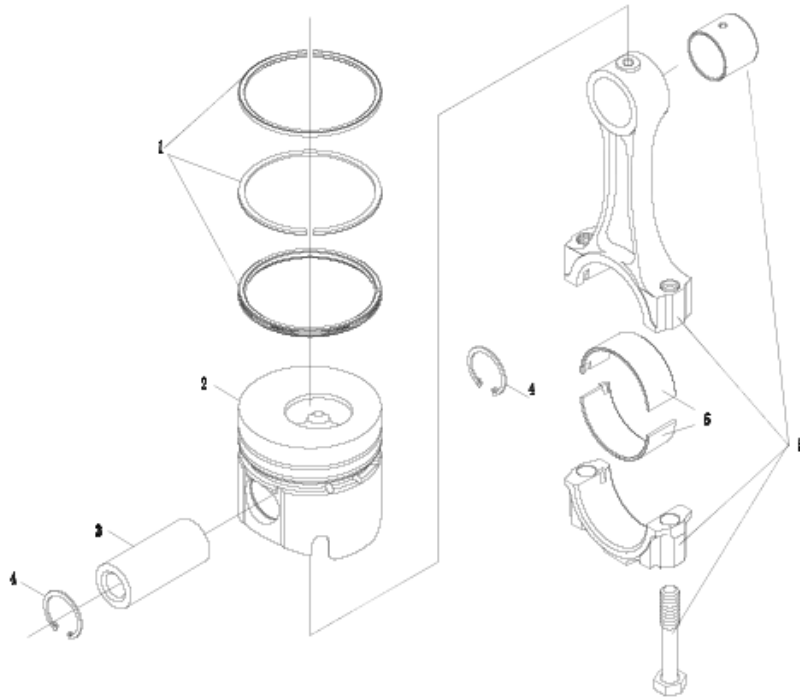
KM385BT-1G2 ENGINE ASSY-7

No.	Part No.	Description	Version	QTY.	Remark
1	L375-03005	FILLER CAP		1	
2	GBT923-M8	CAP NUT		3	
3	L375-03302-5	ANTILEAK WASHER		3	
4	LL380B-03301	CYLINDER COVER		1	
5	LL380B-03002	CYLINDER COVER GASKET		1	
6	GBT6170-M8	NUT		15	
7	GBT93-8	WASHER		26	
8	GBT898-AM8X25	STUD		12	
9	KM485QB-03006	EXHAUST PIPE GASKET		3	
10	GBT97.1-8	WASHER		6	
11	L375-03001	ROCKER SEAT FIXING BOLT		3	
12	GBT5783-M8X20	BOLT		4	
13	L375-03011	FRONT HOISTING RING		1	
14	GBT6171-M8	NUT		6	
15	LL480B-03201	VALVE CLEARANCE ADJUSTING SCREW		6	
16	GBT6171-M8X16	BOLT		3	
17	L375-03206	ROCKER SHAFT LOCATING SCREW		1	
18	GBT848-8	WASHER		1	
19	LL480B-03009	VALVE SPRING UPPER SEAT		6	
20	LL480B-03008	VALVE COLLET		12	
21	L375-03015	VALVE OUTER SPRING		6	
22	L375-03007	VALVE INNER SPRING		6	
23	LL480B-03019	VALVE OIL SEAL		6	
24	KM485QB-03102-1	VALVE GUIDE PIPE		6	
25	L375-01115	PLUG PIECE		2	
26	GBT894.1-8	RETAINER RING		2	
27	L375-03205	ROCKER SHAFT		1	
28	L375-03202	ROCKER SHAFT SUPPORT SEAT		2	
29	L375-03107	PLUG PIECE		4	
30	L375-03204	ROCKER SHAFT SPRING		2	
31	LL480B-03210	VALVE ROCKER UNIT		6	

KM385BT-1G2 ENGINE ASSY-7 (cont'd.)

No.	Part No.	Description	Version	QTY.	Remark
32	L375-03207	ROCKER SHAFT REAR SEAT		1	
33	D495QB-03110	OIL WAY PLUG		1	
34	D495QB-01024	PLUG PIECE		1	
35	GBT5783-M8X25	BOLT		4	
36	L375-03010	THERMOSTAT HOUSING GASKET		1	
37	KM385QB-03101	CYLINDER COVER		1	
38	LL480B-03114	OIL INJECTOR FIXING BOLT		6	
39	GBT93-6	WASHER		6	
40	GBT804-M6	NUT		6	
41	LL480B-03013	AIR INLET PIPE GASKET		3	
42	L375-03106	PLUG PIECE		5	
43	L375-03012	FRONT HOISTING RING		1	
44	LL480B-03104	EXHAUST VALVE SEAT		3	
45	LL480B-03015	EXHAUST VALVE		3	
46	LL480B-03103	AIR INLET VALVE SEAT		3	
47	LL480B-03014	AIR INLET VALVE		3	
48	LL480B-03113	O-RING		3	
49	LL480B-03112	ADJUSTING WASHER		3	

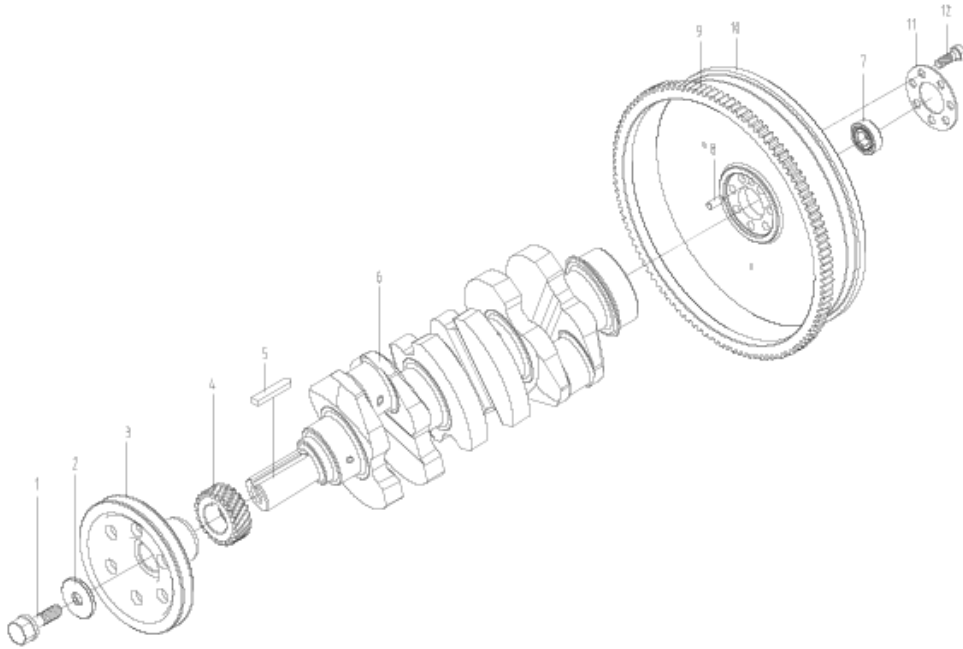
KM385BT-1G2 ENGINE ASSY-8



KM385BT-1G2 ENGINE ASSY-8

No.	Part No.	Description	Version	QTY.	Remark
1	KM485QB-04010	PISTON RING ASSEMBLY		1	
2	KM485QB-04005	PISTON		1	
3	KM485QB-04004	PISTON PIN		1	
4	GBT893.1-28	CIRCLIP		2	
5	KM485QB-04200	CONNECTING ROD ASSEMBLY		1	
6	KM485QB-04003	CONNECTING ROD BEARING		2	

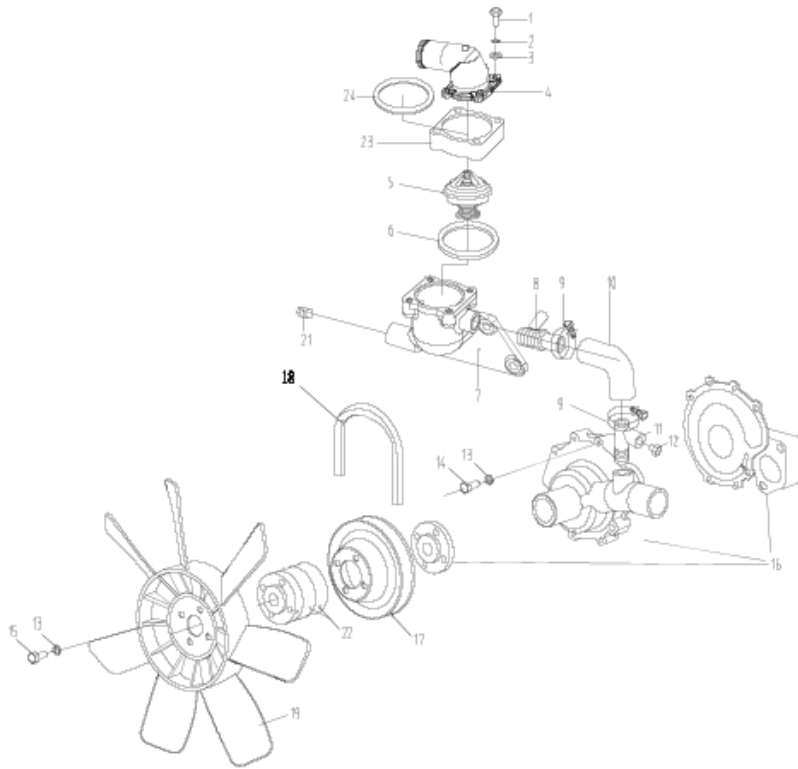
KM385BT-1G2 ENGINE ASSY-9



KM385BT-1G2 ENGINE ASSY-9

No.	Part No.	Description	Version	QTY.	Remark
1	KM385T-05006	STARTING CLAW		1	
2	L375-05005	STARTING CLAW MAT PLATE		1	
3	KM385T-05005-4	CRANKSHAFT BELT PULLEY		1	
4	KM385T-05007	CRANKSHAFT TIMING GEAR		1	
5	GBT1096-C10X63	KEY		1	
6	KM385QB-05003	CRANK SHAFT		1	
7	GBT276-6203	DEEP GROOVE BALL BEARING		1	
8	GBT119-B8X20	PIN		1	
9	LL480-05102	FLYWHEEL GEAR RING		1	
10	KM385T-05101-5	FLY WHEEL		1	
11	L375-05002	FLYWHEEL BOLT BACK- ING PLATE		1	
12	KM385T-05001	FLYWHEEL BOLT		6	

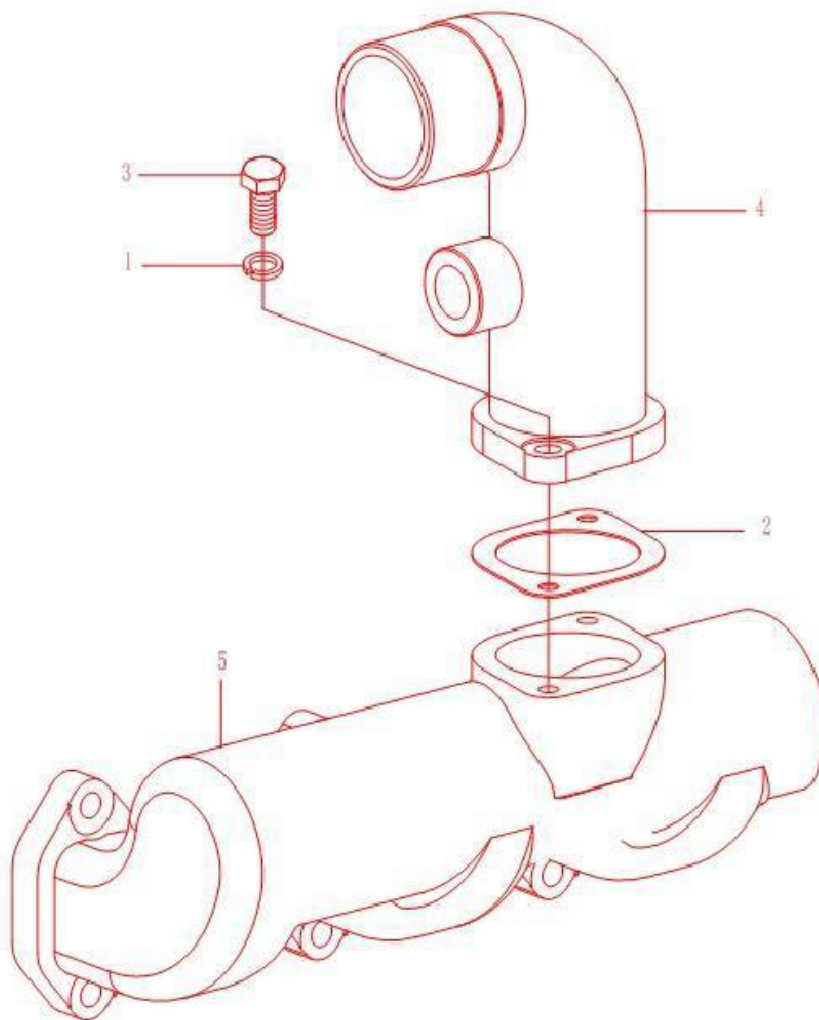
KM385BT-1G2 ENGINE ASSY-10



KM385BT-1G2 ENGINE ASSY-10

No.	Part No.	Description	Version	QTY.	Remark
1	GBT898-AM6X105	STUD		4	
2	GBT93-6	WASHER		4	
3	GBT848-6	WASHER		4	
4	4L22BT-06201-2	THERMOSTAT COVER		1	
5	L375-06203	THERMOSTAT		1	
6	L375-06202	THERMOSTAT COVER GASKET		1	
7	L375-06204	THERMOSTAT HOUSING		1	
8	LL480-06303	SMALL CIRCULATING PIPE		1	
9	ZBT32005.1-26	CLAMP		2	
10	LL380-06001	WATER PUMP HOSE		1	
11	L375Y3-14-06110	TEE PIPE		1	
12	L375Y3-14-06111	SCREW PLUG		1	
13	GBT93-8	WASHER		6	
14	GBT5783-M8X30	BOLT		2	
15	GBT5780-M8X95	BOLT		4	
16	LL480-06100C	WATER PUMP ASSEMBLY		1	
17	LL480-06102	WATER PUMP BELT PULLEY		1	
18	GBT12732-AV13X1000	GEAR BELT		1	
19	L475-06300	FAN PARTS		1	
20	LL480-06113	WATER PUMP BELT PUL- LEY HUB		1	
21	D495QB-06111-1	SCREW PLUG		1	
22	4L22BT-06112S	FAN GASKET		1	
23	KM385T-06208-1	PAD BLOCK		2	
24	KM385T-06209	THERMOSTAT COVER GASKET		2	

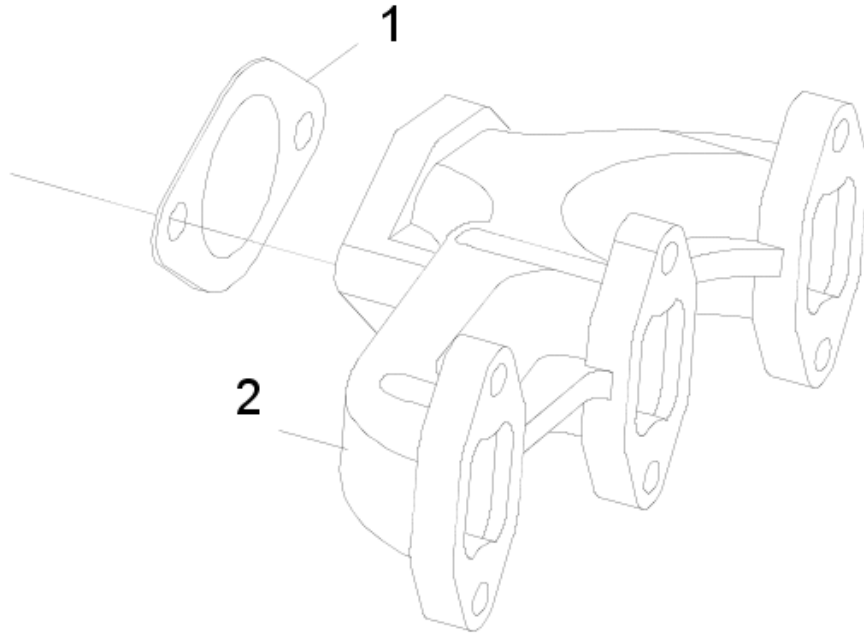
KM385BT-1G2 ENGINE ASSY-11



KM385BT-1G2 ENGINE ASSY-11

No.	Part No.	Description	Version	QTY.	Remark
1	GBT93-10	WASHER		2	
2	KM385T-07007	AIR INLET PIPE END COVER GASKET		1	
3	GBT5783-M10X30	BOLT		2	
4	KM385T-07004-6	AIR INLET PIPE JOINT		1	
5	KM385BT-07001-2	AIR INLET PIPE		1	

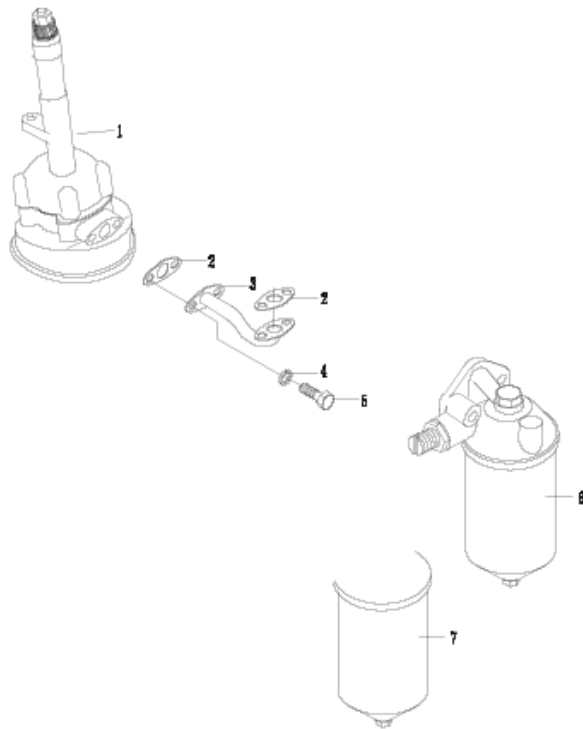
KM385BT-1G2 ENGINE ASSY-12



KM385BT-1G2 ENGINE ASSY-12

No.	Part No.	Description	Version	QTY.	Remark
1	KM385T-08002	EXHAUST PIPE GASKET		1	
2	KM385-08001	EXHAUST PIPE		1	

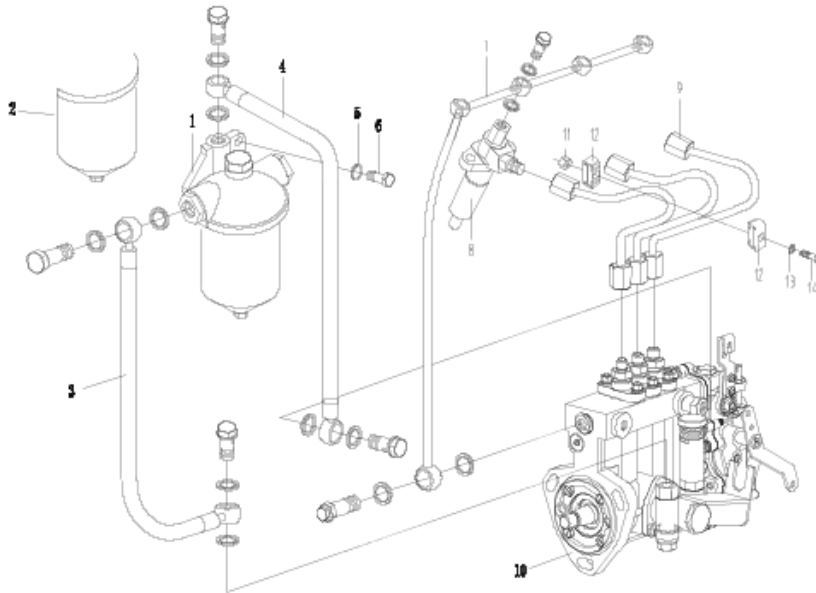
KM385BT-1G2 ENGINE ASSY-13



KM385BT-1G2 ENGINE ASSY-13

No.	Part No.	Description	Version	QTY.	Remark
1	4L22-09100-3C	LUBRICATING OIL PUMP ASSEMBLY		1	
2	4L22-09001	OIL OUTLET PIPE FLANGE GASKET		2	
3	LL480T-09200	OIL PIPELINE UNIT		1	
4	GBT93-8	WASHER		4	
5	GBT5783-M8X20	BOLT		4	
6	KM385T-09300C	OIL FILTER PARTS		1	
7	KM385T-09305C	OIL FILTER ELEMENT		1	

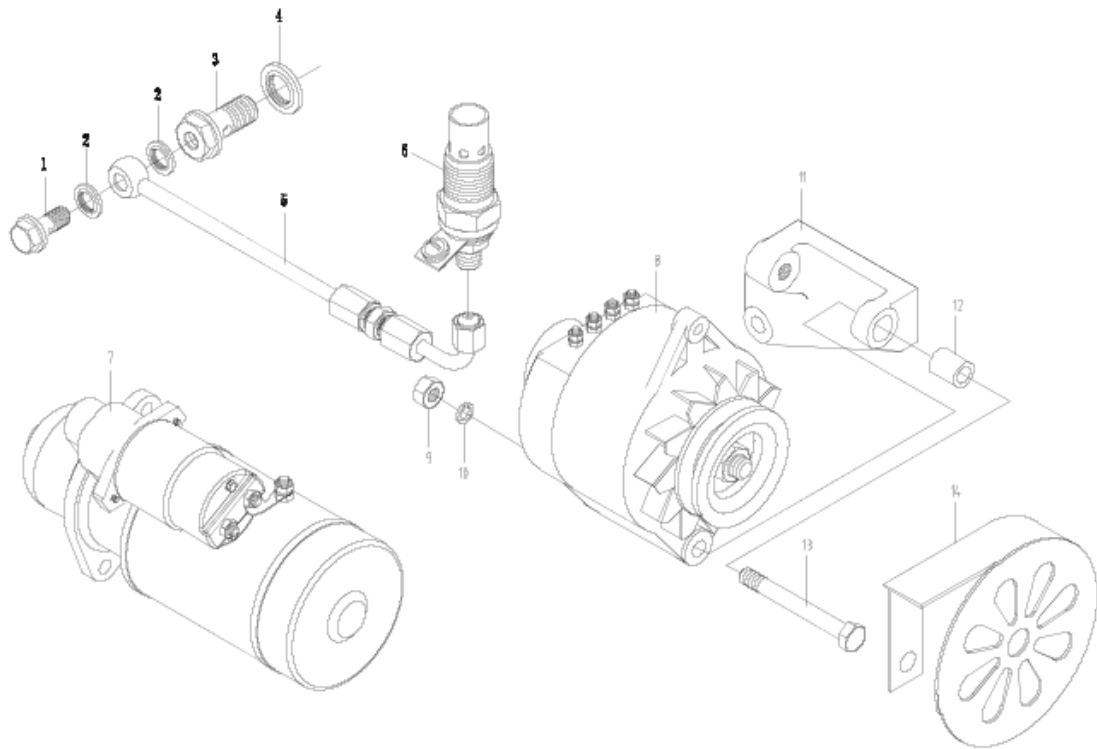
KM385BT-1G2 ENGINE ASSY-14



KM385BT-1G2 ENGINE ASSY-14

No.	Part No.	Description	Version	QTY.	Remark
1	L375-10500-1C	FUEL FILTER PARTS		1	
2	KM385T-10501	FUEL FILTER ELEMENT		1	
3	KM385T-10700	PIPE FROM OIL CONVEY- ING PUMP TO FUEL OIL FILTER		1	
4	KM385T-10600	OIL PIPE FROM FILTER TO INJECTION PUMP PIPE		1	
5	GBT93-8	WASHER		1	
6	GBT5783-M8X25	BOLT		1	
7	KM385T-10400-6	OIL RETURN PIPE PARTS		1	
8	LL480B-10300-PK27	OIL INJECTOR ASSEMBLY		3	
9	LL380B-10200	HIGH PRESSURE OIL PIPE PARTS		1	
10	KM385BT-10100-3I344E	OIL INJECTION PUMP		1	
11	GBT6170-M6	NUT		2	
12	D495QB-10600	HIGH PRESSURE OIL PIPE LOCK CLIP UNIT		4	
13	GBT93-6	WASHER		2	
14	GBT65-M6X30	SCREW NECK		2	

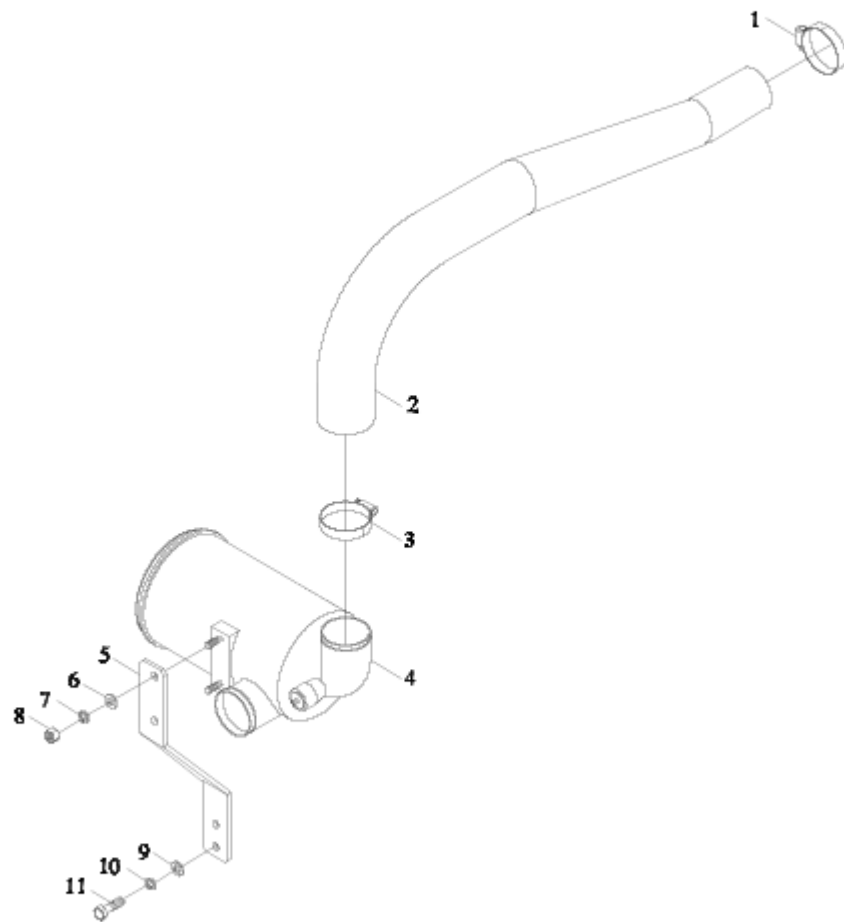
KM385BT-1G2 ENGINE ASSY-15



KM385BT-1G2 ENGINE ASSY-15

No.	Part No.	Description	Version	QTY.	Remark
1	KM485QB-12603	HINGE BOLT		1	
2	L375-03017	ANTILEAK WASHER		2	
3	KM485QB-12602	BOLT		1	
4	KM485QB-12607	COMBINED GASKET		1	
5	KM485QB-12604-1	PREHEATING PLUG OIL PIPE		1	
6	KM485QB-12600-3	FLAME WARM-UP PLUG		1	
7	KM385T-12300JC	STARTIN GMOTOR		1	
8	KM385T-12100-2C	GENERATOR		1	
9	GBT6170-M10	NUT		1	
10	GBT93-10	WASHER		1	
11	KM385T-01028	GENERATOR FASTEN BRACKET		1	
12	L375-01031	GENERATOR BRACKET BUSH		1	
13	GBT5782-M10X100	BOLT		1	
14	KM385T-12110-3	GENERATOR SAFTY COVER		1	
15	KM385BT-10022	WHOLE ENGINE GASKET		1	不包括缸垫与油底壳垫

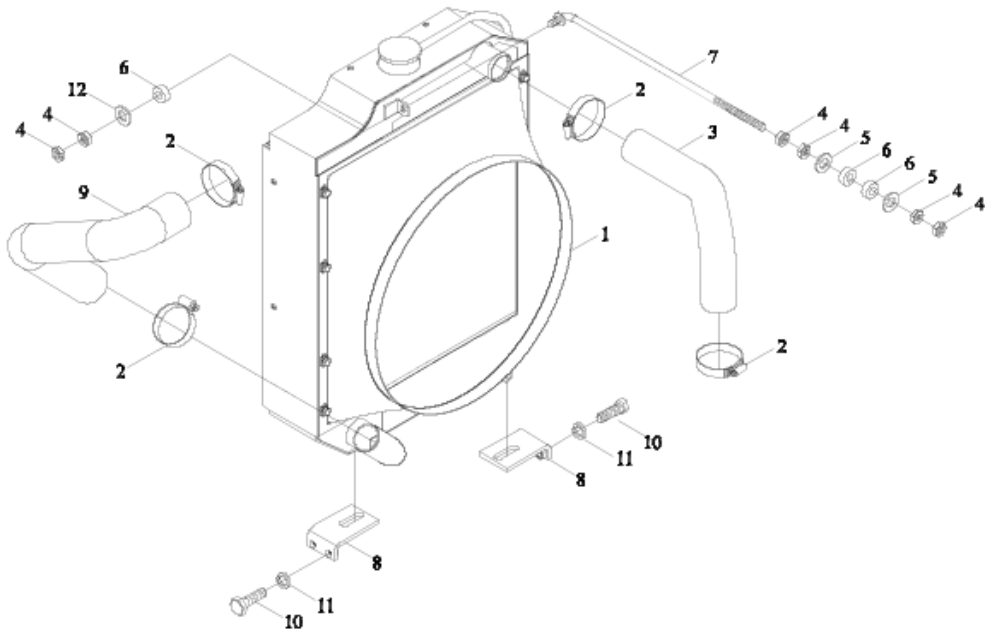
TE250. 11J AIR FILTER SYSTEM ASSEMBLY



TE250. 11J AIR FILTER SYSTEM ASSEMBLY

No.	Part No.	Description	Version	QTY.	Remark
1	Q67664	B-TYPE WORM TRANSMISSION HOSE CLAMP		1	
2	TE250.11F-01	AIR INLET HOSE		1	
3	Q67676	B-TYPE WORM TRANSMISSION HOSE CLAMP		1	
4	TE250.11F.1	AIR FILTER ASSEMBLY		1	
5	TE250.11J-01	AIR FILTER BRACKET		1	
6	GBT97.1-8-A0P	FLAT WASHER		2	
7	GBT93-8-A0P	STANDARD SPRING WASHER		2	
8	GBT6170-M8-8-A2L	HEXAGON NUT, TYPE-1		2	
9	GBT97.1-10-A0P	FLAT WASHER		2	
10	GBT93-10-A0P	STANDARD SPRING WASHER		2	
11	GBT5783-M10X25-8.8-A3L	HEXAGON BOLT		2	

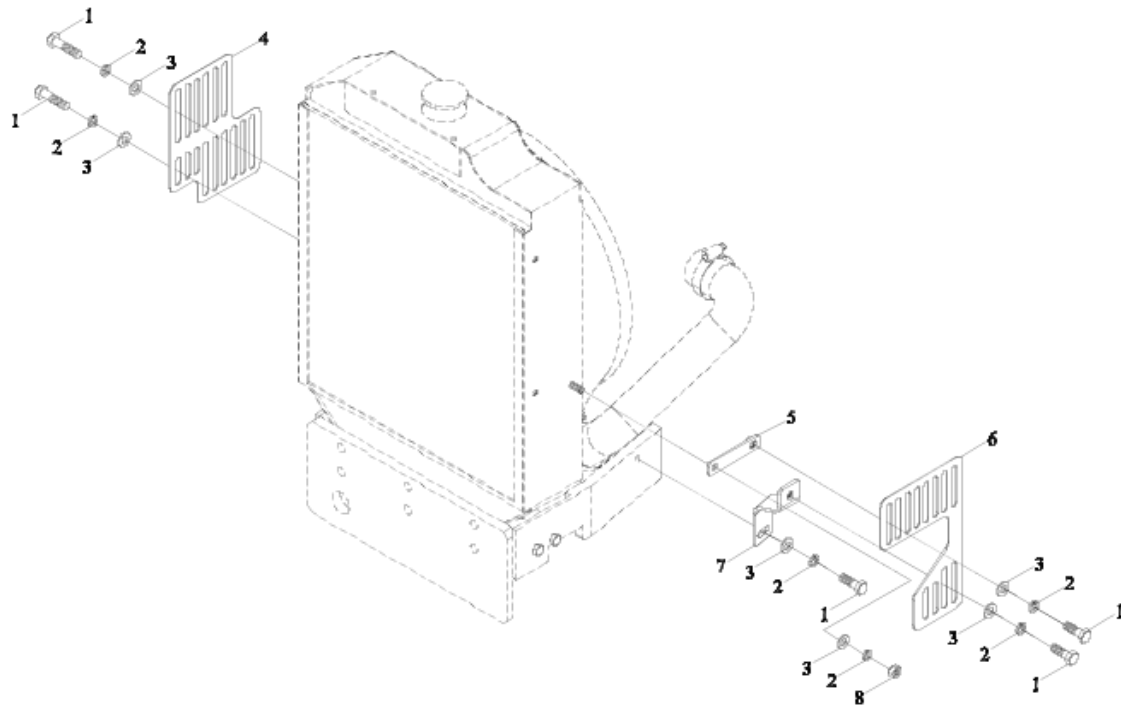
TE250. 13 COOLING SYSTEM ASSEMBLY



TE250. 13 COOLING SYSTEM ASSEMBLY

序号	零件图号	零件名称	版本	数量	备注
1	TE250.13.1	散热器总成		1	
2	Q67657	B型蜗杆传动式软管环箍		4	
3	TE250.13-04	水箱进水软管		1	
4	GBT6172.1-M8-04-A2L	六角薄螺母		6	
5	GBT96.1-8-A0P	大垫圈		2	
6	FT650.13.135	橡胶垫块		3	
7	TE250.13B.3	散热器拉杆焊合		1	
8	TE250.13B.2	散热器支架焊合		2	
9	TE250.13-05	水箱出水软管		1	
10	GBT5783-M8X35-8.8-A2L	六角头螺栓		4	
11	GBT93-8-A0P	标准型弹簧垫圈		4	
12	GBT97.1-8-A0P	平垫圈		1	

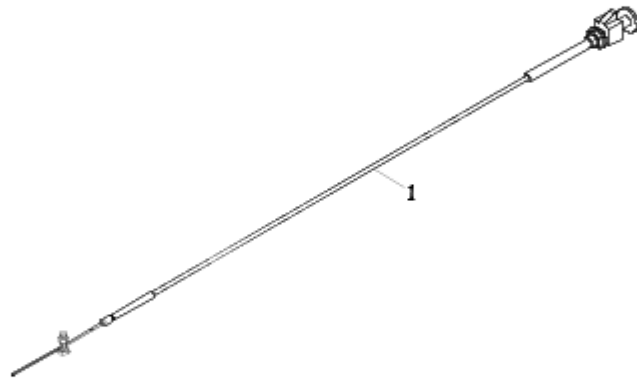
TE254. 133B WATER GUARD NET INSTALLATION ASSEMBLY



TE254. 133B WATER GUARD NET INSTALLATION ASSEMBLY

No.	Part No.	Description	Version	QTY.	Remark
1	GBT5783-M8X20-8.8-A2L	HEXAGON BOLT		5	
2	GBT93-8-A0P	STANDARD SPRING WASHER		6	
3	GBT97.1-8-A0P	FLAT WASHER		6	
4	TE254.133-01	LEFT GUARD PLATE		1	
5	TE254.133.2	WATER GUARD NET WELDMENT		1	
6	TE254.133-02	RIGHT GUARD PLATE		1	
7	TE254.133.1	WATER GUARD NET WELDMENT		1	
8	GBT6170-M8-8-A2L	HEXAGON NUT, TYPE-1		1	

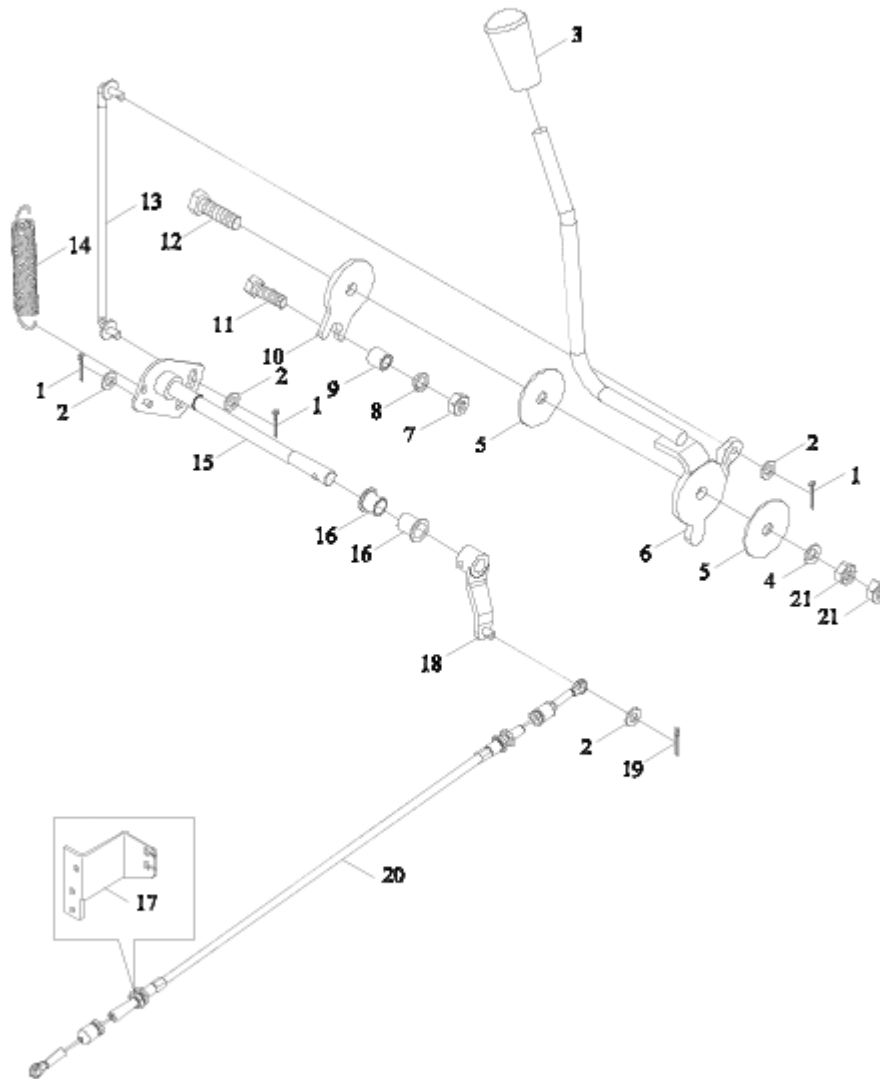
FT250. 20B. 017 EXTINGUISH WIRE ASSEMBLY



FT250. 20B. 017 EXTINGUISH WIRE ASSEMBLY

No.	Part No.	Description	Ver- sion	QTY.	Remark
1	FT250.20B.017	EXTINGUISH WIRE ASSEMBLY		1	

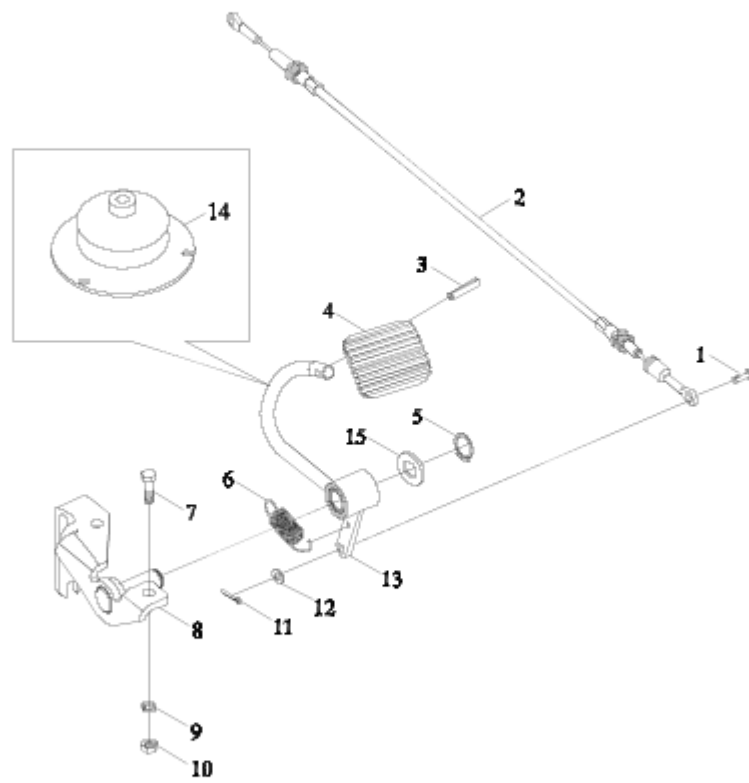
TE254. 201B HAND THROTTLE ASSEMBLY



TE254. 201B HAND THROTTLE ASSEMBLY

No.	Part No.	Description	Version	QTY	Remark
1	GBT91-2X10-A0P	SPLIT PIN		3	
2	GBT97.1-6-A0P	FLAT WASHER		4	
3	LA754.201-01	HANDLE		1	
4	GBT1972-20X10.2X1.1X1.55	BUTTERFLY SPRING		1	
5	LA754.201-03	FRICITION PLATE		2	
6	TE254.201A.2	ROCKER WELDMENT		1	
7	GBT6170-M8-8-A2L	HEXAGON NUT, TYPE-1		1	
8	GBT93-8-A0P	STANDARD SPRING WASHER		1	
9	LA754.201-04	LIMITING SLEEVE		1	
10	LA754.201-02	LIMIT PLATE		1	
11	GBT5783-M8X35-8.8-A2L	HEXAGON BOLT		1	
12	GBT5783-M10X35-8.8-A3L	HEXAGON BOLT		1	
13	TE254.201A.1A	PULL ROD WELDMENT		1	
14	GBT2088-LIIIB-2X16X112	COLUMN SPIRE TENSION SPRING		1	
15	LA754.201.3	ROTARY ARM WELDMENT		1	
16	LA754.201-05	NYLON BUSH		2	
17	TE254.201B-01	ENGINE THROTTLE BRACKET		1	
18	LA754.201.4	WIRE ROCKER WELDMENT		1	
19	GBT91-2X12-A0P	SPLIT PIN		1	
20	TE254.201A-01	ENGINE THROTTLE WIRE		1	
21	GBT6172.1-M10-04-A3L	HEXAGON THIN NUT		2	

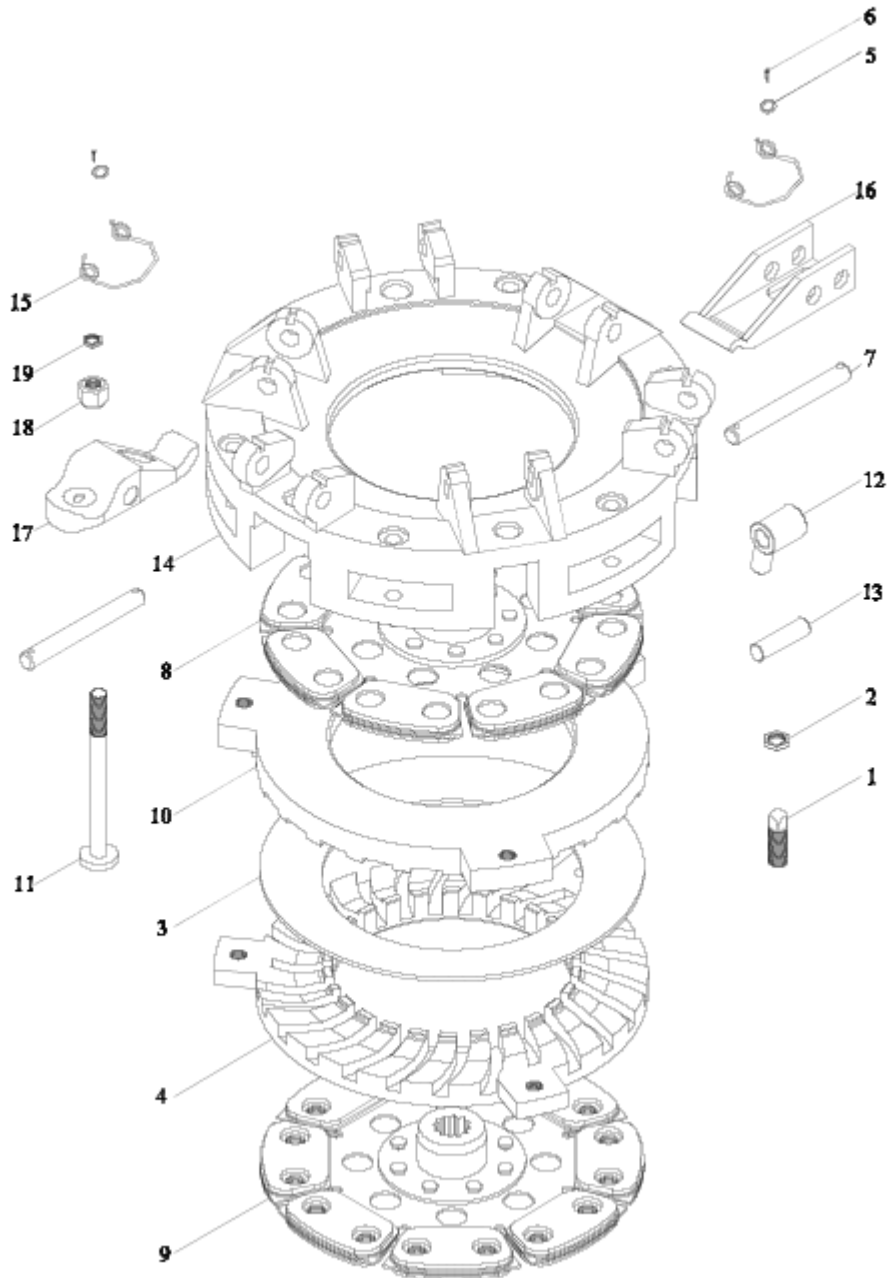
TE254. 202A FOOT THROTTLE ASSEMBLY



TE254. 202A FOOT THROTTLE ASSEMBLY

No.	Part No.	Description	Ver- sion	QTY.	Remark
1	GBT882-B6X16	PIN SHAFT		1	
2	TE254.202A-02	FOOT THROTTLE WIRE ASSEMBLY		1	
3	GBT5783-M5X16-8.8-A2L	SPRING COLUMN PIN		1	
4	TE254.202A-01	FOOT PEDAL		1	
5	GBT894.1-13	CIRCLIP FOR SHAFT		1	
6	TE254.202A-03	FOOT THROTTLE RETURN SPRING		1	
7	GBT5783-M8X20-8.8-A2L	HEXAGON BOLT		2	
8	TE254.202A.1	FIXING BRACKET WELDMENT		1	
9	GBT93-8-A0P	STANDARD SPRING WASHER		2	
10	GBT6170-M8-8-A2L	HEXAGON NUT, TYPE-1		2	
11	GBT91-2X12-A0P	SPLIT PIN		1	
12	GBT97.1-6-A0P	FLAT WASHER		1	
13	TE254.202A.2	ROCKER WELDMENT		1	
14	FT65.45.393	THROTTLE PEDAL SEAL SLEEVE		1	
15	GBT97.1-14-A0P	FLAT WASHER		1	

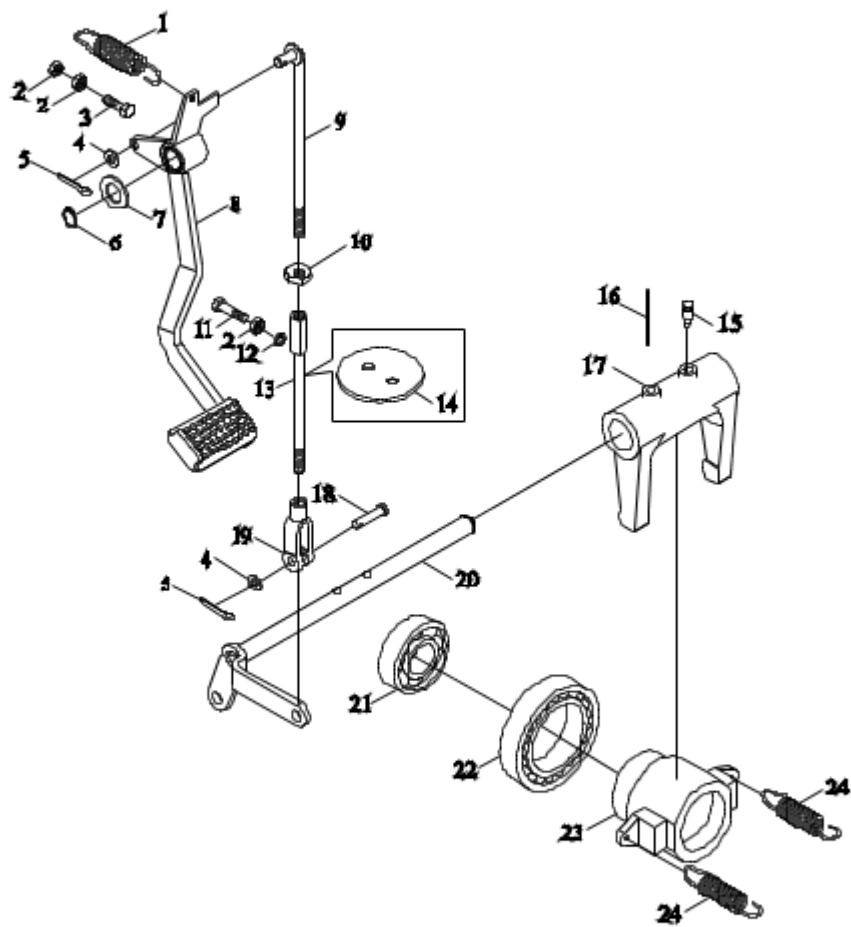
TE250. 211 CLUTCH SUBASSEMBLY



TE250. 211 CLUTCH SUBASSEMBLY

No.	Part No.	Description	Version	QTY.	Remark
1	FT200.21B.110	MAIN CLUTCH ADJUSTING SCREW		3	
2	GBT6173-M10X1	NUT		3	
3	FT250.21B.105	SPRING		1	
4	FT250.21B.112	AUXILIARY CLUTCH PRESSURE PLATE		1	
5	GBT91-3.2X20	PIN		12	
6	GBT848-10	WASHER 10		12	
7	FT300.21B.111	LONG PIN		6	
8	250.21.017T	MAIN CLUTCH DRIVEN PLATE ASSEMBLY		1	
9	250.21.014T	AUXILIARY CLUTCH DRIVEN PLATE ASSEMBLY		1	
10	FT200.21B.113	MAIN CLUTCH PRESSURE PLATE		1	
11	FT400.21B.104	AUXILIARY CLUTCH PULL ROD		3	
12	FT200.21B.114	MAIN CLUTCH RELEASE PULL ROD		3	
13	FT300.21B.109	PIN SHAFT		3	
14	FT200.21B.115	CLUTCH COVER		1	
15	FT200.21B.116	CLUTCH RELEASE LEVER SPRING		6	
16	FT200.21B.117	MAIN CLUTCH RELEASE LEVER		3	
17	FT200.21B.118	AUXILIARY CLUTCH RELEASE LEVER		3	
18	FT300.21B.105	BALL NUT		3	
19	GBT6171-M8X1	NUT		3	

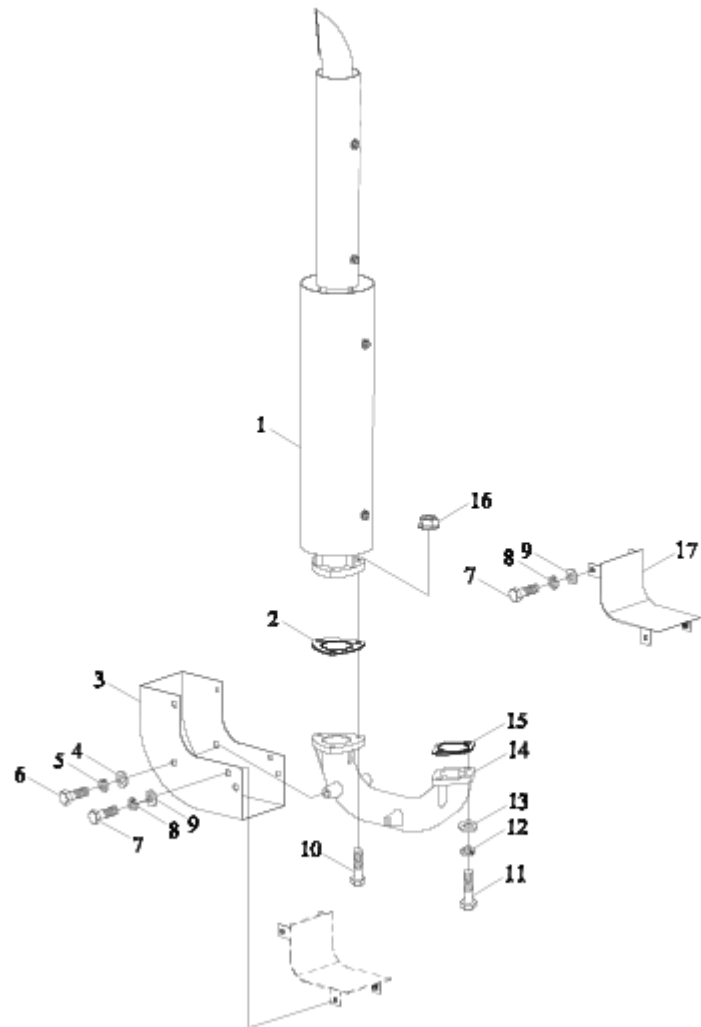
TE250. 212D CLUTCH CONTROL ASSEMBLY



TE250. 212D CLUTCH CONTROL ASSEMBLY

No.	Part No.	Description	Version	QTY.	Remark
1	TE250.212D-05	CLUTCH PEDAL RETURN SPRING		1	
2	GBT6172.1-M10-04-A3L	HEXAGON THIN NUT		3	
3	GBT5781-M10X40-4.8-A3L	HEXAGON BOLT		1	
4	GBT97.1-10-A0P	FLAT WASHER		2	
5	GBT91-3.2X22-A0P	SPLIT PIN		2	
6	GBT894.1-25	CIRCLIP FOR SHAFT		1	
7	GBT97.1-24-A0P	FLAT WASHER		1	
8	TE250.212D.1	CLUTCH PEDAL ROCKER UNIT		1	
9	TE250.212D.3	RELEASE UPPER TIE ROD WELD		1	
10	GBT6171-M10X1-8-A2L	HEXAGON NUT, TYPE-1		1	
11	GBT5781-M10X50-4.8-A3L	HEXAGON BOLT		1	
12	GBT93-10-A0P	STANDARD SPRING WASHER		1	
13	TE250.212D.4	RELEASE LOWER TIE ROD WELD		1	
14	TE250.212D-04a	RUBBER SEALING PLATE		1	
15	FT65.37.109	THRUST SCREW		2	
16	TE250.212-05	LOW CARTON STEEL WIRE SZ-1.4		2	
17	FT200.21.107	CLUTCH FORK		1	
18	GBT882-B10X30-A0P	PIN SHAFT		2	
19	FT300.43.110	PULL ROD REAR FORK		1	
20	TE250.212D.2a	CLUTCH RELEASE ROCKER WELDMENT		1	
21	GBT276-6203-2Z	DEEP GROOVE BALL BEARING		1	
22	TE250.212B-01	RELEASE BEARING 996711		1	
23	FT200.21B.103	RELEASE BEARING SEAT		1	
24	FT200.21.106	RETURN SPRING OF RELEASE BEARING SEAT		2	

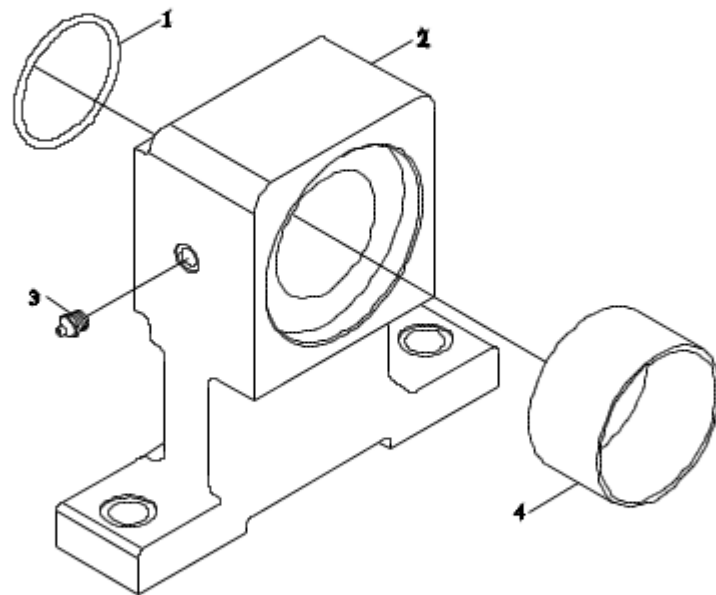
TE250. 22 EXHAUST SYSTEM ASSEMBLY



TE250. 22 EXHAUST SYSTEM ASSEMBLY

No.	Part No.	Description	Version	QTY.	Remark
1	TE250.22.1	MUFFLER ASSEMBLY	008	1	
2	FT250.22.030	SEAL GASKET UNIT	002	1	
3	TE250.22.5	DOWN GUARD NET WELDMENT	001	1	
4	GBT97.1-8-A0P	FLAT WASHER	001	4	
5	GBT93-8-A0P	STANDARD SPRING WASHER	001	4	
6	GBT5783-M8X16-8.8-A2L	HEXAGON BOLT	001	4	
7	GBT5783-M6X12-8.8-A2L	HEXAGON BOLT	001	4	
8	GBT93-6-A0P	STANDARD SPRING WASHER	001	4	
9	GBT97.1-6-A0P	FLAT WASHER	001	4	
10	GBT5783-M8X35-8.8-A2L	HEXAGON BOLT	001	3	
11	GBT5783-M10X30-8.8-A3L	HEXAGON BOLT	001	2	
12	GBT93-10-A0P	STANDARD SPRING WASHER	001	2	
13	GBT97.1-10-A0P	FLAT WASHER	001	2	
14	TE250.22-01	EXHAUST BENDING PIPE	005	1	
15	FT250.22C.030	SEAL GASKET UNIT	003	1	
16	SPL6177.1-M8-F3	HEXAGON FLANGE NUT	001	3	
17	TE250.22.4	UPPER GUARD PLATE WELDMENT	002	1	

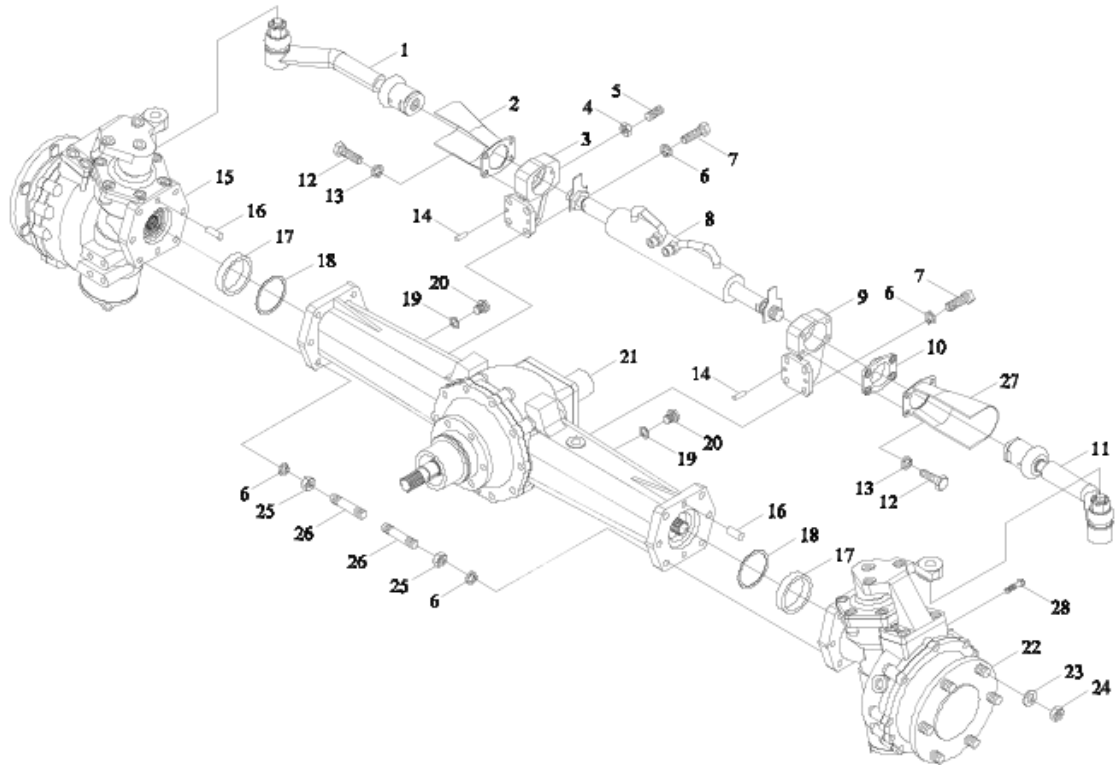
TE254. 314G REAR SUPPORTING SEAT ASSEMBLY



TE254. 314G REAR SUPPORTING SEAT ASSEMBLY

No.	Part No.	Description	Version	QTY.	Remark
1	GBT3452.1-54.5X3.55G	RUBBER O-SEAL RING		1	
2	TE254.311B.1-01	REAR SUPPORTING SEAT		1	
3	JBT7940.1-M10X1	STRAIGHT FORCED FILLING OIL CUP		1	
4	FT254.31F.129	SLIDING SHAFT SLEEVE 70X75X40		1	

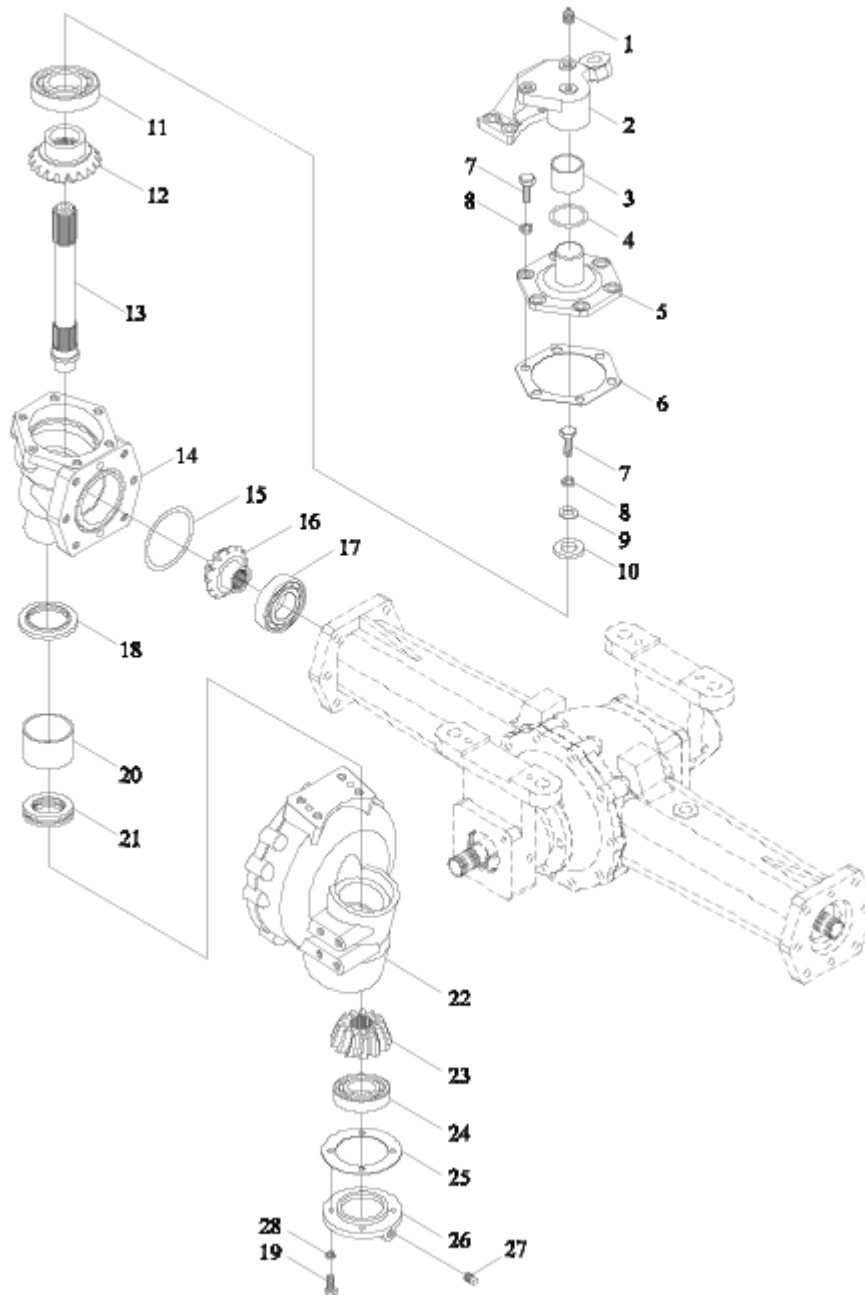
TE254. 311G FRONT DRIVING AXLE ASSEMBLY-1



TE254. 311G FRONT DRIVING AXLE ASSEMBLY-1

No.	Part No.	Description	Ver- sion	QTY.	Remark
1	TE254.311G.5	LEFT STEERING HORIZONTAL PULL ROD ASSEMBLY		1	
2	TE254.311J.6	OIL CYLINDER BONNET WELDMENT		1	
3	TE254.311G-03	OIL CYLINDER FIXING SEAT II		1	
4	GBT6174-M6-A2L	NUT		1	
5	GBT71-M6X20	SCREW		1	
6	GBT93-10-A0P	SPRING WASHER		12	
7	GBT5783-M10X25-A3L	BOLT		10	
8	TE254.311G.4	HYDRAULIC CYLINDER ASSEMBLY		1	
9	TE254.311G-02	OIL CYLINDER FIXING SEAT		1	
10	TE254.311G-01	SEAT COVER		1	
11	TE254.311G.6	RIGHT STEERING CROSS PULL ROD ASSEMBLY		1	
12	GBT5783-M8X20-A2L	BOLT		8	
13	GBT93-8-A0P	SPRING WASHER		8	
14	GBT119.1-6h8X14-A0P	COLUMN PIN		4	
15	TE254.311G.1	LEFT TRANSMISSION ASSEMBLY		1	
16	GBT119.1-10h8X20-A0P	COLUMN PIN		4	
17	FT254.31F.123	LOCATING SLEEVE		2	
18	FT254.31F.124	ADJUSTING GASKET		999	
19	JBT982-14	WASHER		2	
20	Q617B	PLUG		2	
21	TE254.311G.3	MAIN REDUCER BOX ASSEMBLY		1	
22	TE254.311G.2	RIGHT TRANSMISSION ASSEMBLY		1	
23	GBT97.1-14-A0P	WASHER		12	
24	GBT6176-M14X1.5-A3L	NUT		12	
25	GBT6171-M10X1.25-A2L	NUT		12	
26	GBT899-AM10-M10X1.25X35-8.8-A2 L	STUD		12	
27	TE254.311J.7	OIL CYLINDER BONNET WELDMENT		1	
28	TE254.311J-01	LIMIT BOLT		2	

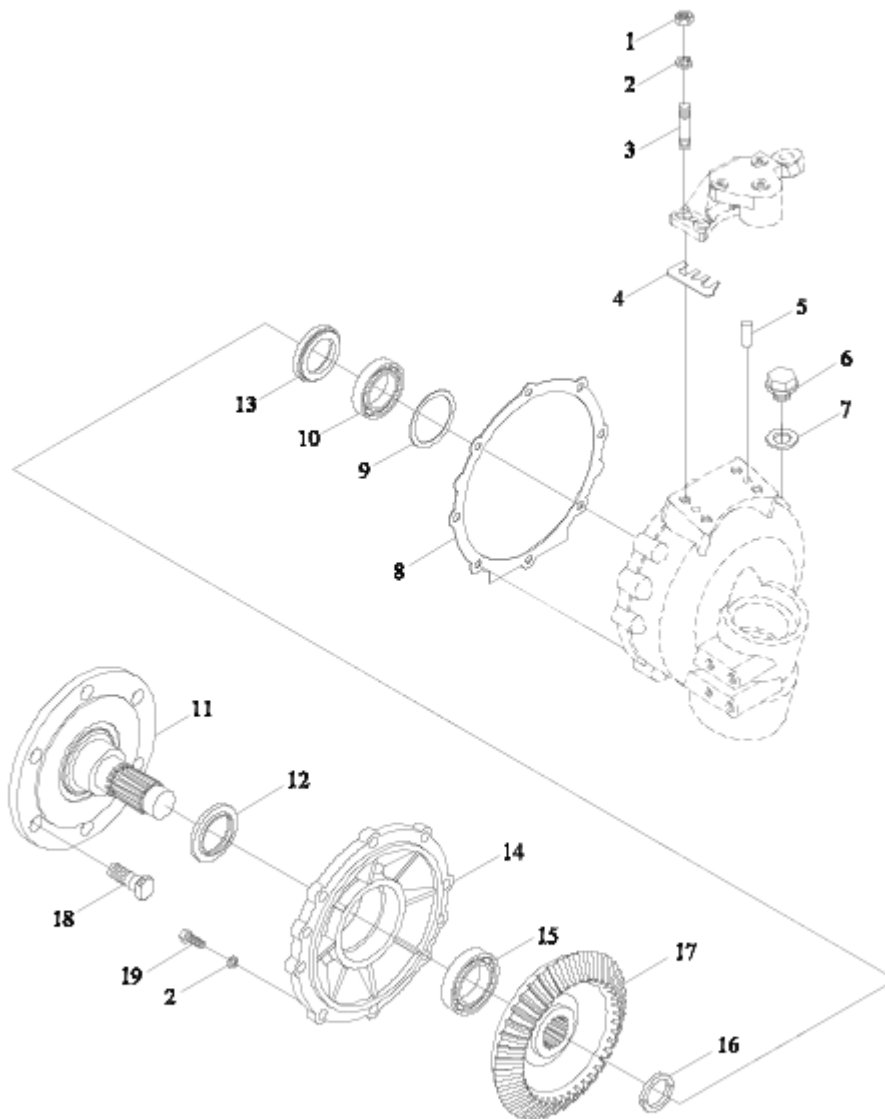
TE254. 311G FRONT DRIVING AXLE ASSEMBLY-2. 1



TE254. 311G FRONT DRIVING AXLE ASSEMBLY-2. 1

No.	Part No.	Description	Ver- sion	QTY.	Remark
1	JBT7940.1-M10X1	OIL CUP		1	
2	TE254.311G.1-01	LEFT STEERING SUPPORT		1	
3	FT254.31F.104	SHAFT BUSH		1	
4	GBT3452.1-33.5X3.55G	RUBBER O-SEAL RING		1	
5	FT254.31F.105	STEERING SHAFT SEAT		1	
6	FT254.31F.102	SEAL GASKET		999	
7	GBT5783-M10X25-A3L	BOLT		7	
8	GBT93-10-A0P	WASHER		7	
9	GBT96.1-10-A0P	BIG WASHER		1	
10	FT254.31F.106	MAT		1	
11	GBT276-6210	BEARING		1	
12	FT254.31F.108	HALF SHAFT BIG GEAR		1	
13	FT254.31F.119	END PIN SHAFT		1	
14	TE254.311G.1-02	STEERING BURL HOUSING		1	
15	GBT3452.1-80.0X2.65G	RUBBER O-SEAL RING		1	
16	FT254.31F.101	HALF SHAFT PINION		1	
17	GBT276-6207	BEARING		1	
18	FT254.31F.113	DUSTPROOF RING		1	
19	GBT5783-M6X20-A2L	BOLT		4	
20	FT254.31F.122	SHAFT BUSH		1	
21	GBT301-51106	BEARING		1	
22	FT254.31F.120a	LEFT END HOUSING		1	
23	FT254.31F.118a	END PINION		1	
24	GBT276-6305	BEARING		1	
25	FT254.31F.117	ADJUSTING GASKET		999	
26	FT254.31F.116	BOTTOM END COVER		1	
27	Q614B01	SQUARE HEAD TAPERED SCREW PLUG		1	
28	GBT93-6	WASHER		4	

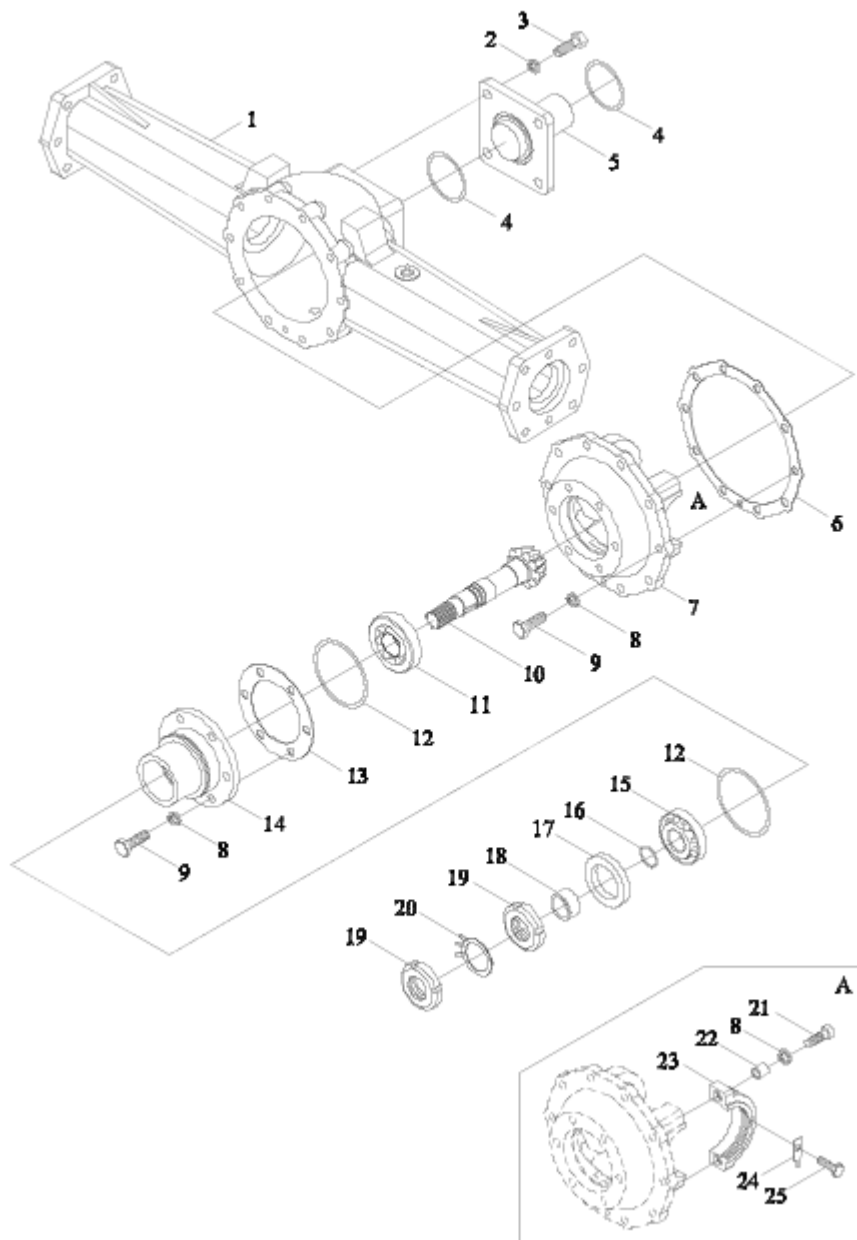
TE254. 311G FRONT DRIVING AXLE ASSEMBLY-2. 2



TE254. 311G FRONT DRIVING AXLE ASSEMBLY-2. 2

No.	Part No.	Description	Version	QTY.	Remark
1	GBT6171-M10X1.25-A2L	NUT		4	
2	GBT93-10-A0P	WASHER		12	
3	GBT899-AM10-M10X1.25X30-8.8-A2 L	STUD		4	
4	FT254.31F.107	ADJUSTING GASKET		999	
5	GBT119.2-B8X20-A0P	PIN		2	
6	FT254.31F.175	SCREW PLUG		1	
7	FT254.31F.176	WASHER		1	
8	FT254.31F.114	ADJUSTING GASKET		999	
9	FT254.31F.115	ADJUSTING GASKET		999	
10	GBT276-6206	BEARING		1	
11	FT254.31F.111c	FRONT DRIVING SHAFT		1	
12	FT254.31F.113	DUSTPROOF RING		1	
13	FT254.31F.178c	LOCATING RING		1	
14	FT254.31F.109c	END BIG COVER		1	
15	GBT276-6308	DEEP GROOVE BALL BEARING		1	
16	FT254.31F.112a	STEEL WIRE RETAINER RING		1	
17	FT254.31F.110c	END BIG GEAR		1	
18	FT254.31F.177	BOLT		6	
19	GBT5783-M10X30-A3L	BOLT		8	

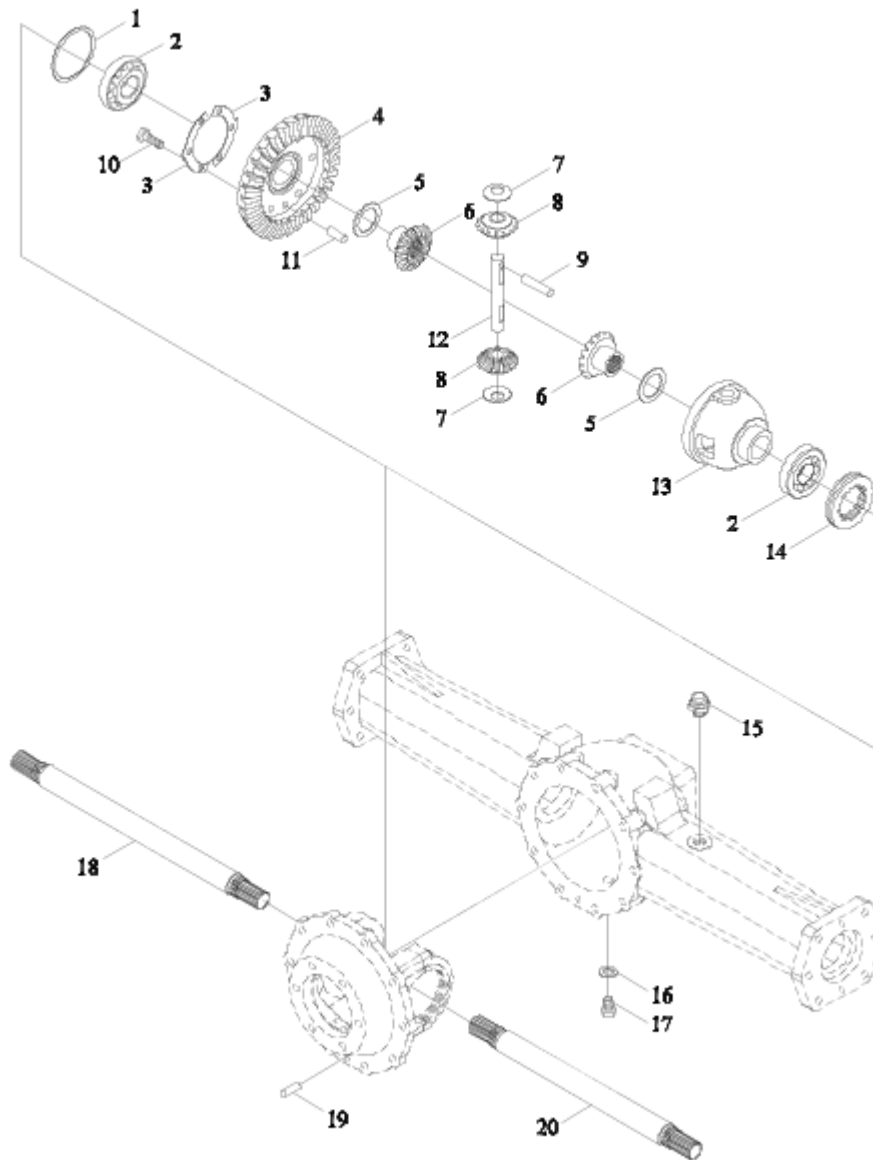
TE254. 311G FRONT DRIVING AXLE ASSEMBLY-3. 1



TE254. 311G FRONT DRIVING AXLE ASSEMBLY-3. 1

No.	Part No.	Description	Version	QTY.	Remark
1	TE254.311G.3-04	MAIN REDUCER BOX HOUSING		1	
2	GBT93-12-A0P	WASHER		4	
3	GBT5783-M12X30-A3L	BOLT		4	
4	GBT3452.1-63.0X3.55G	O-RING		2	
5	TE254.311G.3-02	FRONT SUPPORT SHAFT		1	
6	FT254.31F.132	ADJUSTING GASKET		999	
7	TE254.311G.3-01	DIFFERENTIAL SEAT		1	
8	GBT93-10-A0P	WASHER		18	
9	GBT5783-M10X30-A3L	BOLT		16	
10	FT254.31F.127	INPUT SPIRAL BEVEL GEAR SHAFT		1	
11	GBT297-31306	BEARING		1	
12	GBT3452.1-73.0X3.55G	O-RING		2	
13	FT254.31F.131	ADJUSTING GASKET		999	
14	FT254.31F.130	REAR SUPPORTING SHAFT		1	
15	GBT297-32006	BEARING		1	
16	GBT3452.1-23.6X2.65G	O-RING		1	
17	GBT9877.1-FB35X55X8B	OIL SEAL		1	
18	FT254.31F.128	OIL SEAL BUSH		1	
19	GBT810-M27X1.5	SMALL ROUND NUT		2	
20	GBT858-27	WASHER		1	
21	GBT70.1-M10X40	SCREW		2	
22	FT254.31F.152	LOCATING SLEEVE		2	
23	FT254.31F.139	BEARING FIXING SLEEVE		1	
24	FT254.31F.141	THRUST WASHER		1	
25	GBT5783-M8X16-A2L	BOLT		1	

TE254. 311G FRONT DRIVING AXLE ASSEMBLY-3. 2



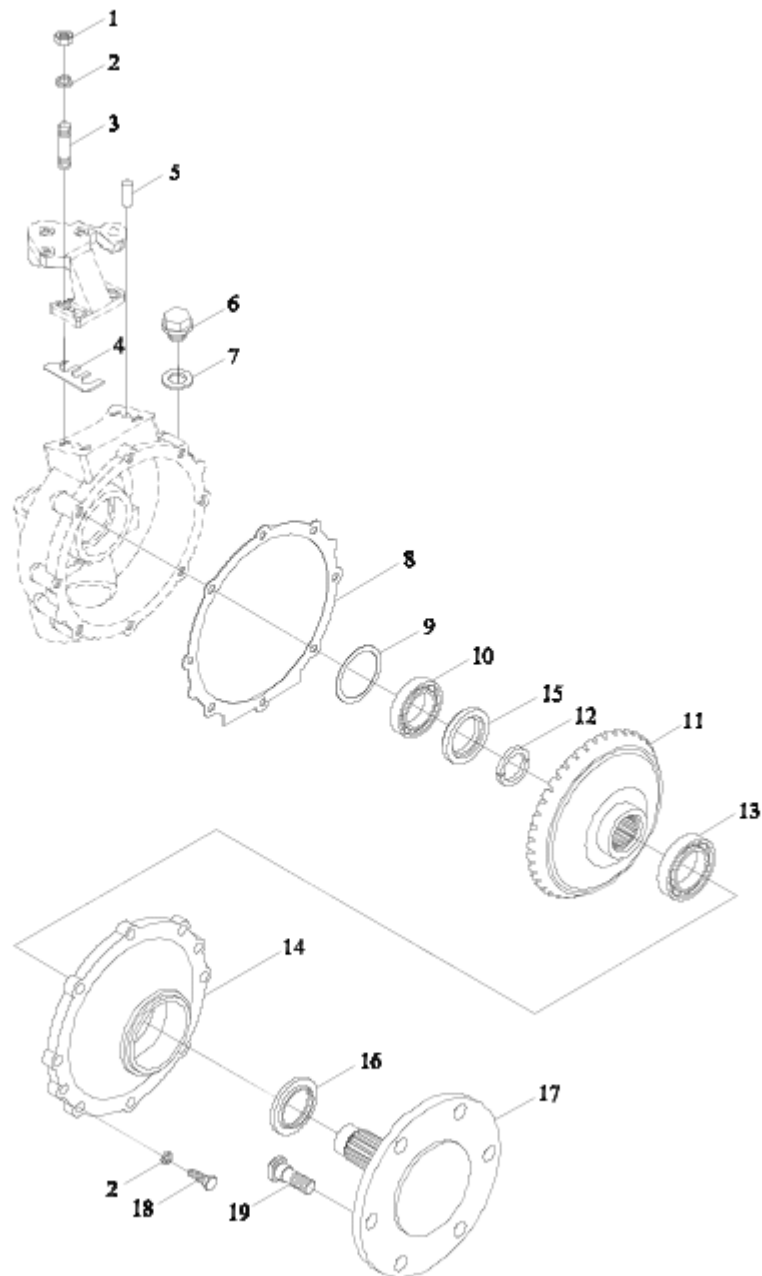
TE254. 311G FRONT DRIVING AXLE ASSEMBLY-3. 2

No.	Part No.	Description	Version	QTY.	Remark
1	FT254.31F.134	ADJUSTING GASKET		1	
2	GBT297-32009	BEARING		2	
3	FT254.31F.135	THRUST WASHER		2	
4	FT254.31F.144	BIG BEVEL GEAR		1	
5	FT254.31F.148	FLAT WASHER		2	
6	FT254.31F.143	DIFFERENTIAL BIG GEAR		2	
7	FT254.31F.146	SPHERICAL WASHER		2	
8	FT254.31F.147	PLANET GEAR		2	
9	GBT119.1-8m6X40-A0P	PIN		1	
10	GBT5783-M8X25-A2L	BOLT		6	
11	GBT119.2-8X20-A0P	PIN		1	
12	FT254.31F.145	DIFFERENTIAL PIN SHAFT		1	
13	FT254.31F.149	DIFFERENTIAL HOUSING		1	
14	FT254.31F.140	ADJUSTING NUT		1	
15	TE254.311A.1.1	STEEL BALL VENTILATION PLUG		1	
16	FT304.42.118	WASHER		1	
17	Q617B12	HEXAGON PLUG		1	
18	FT254.31F.142	LEFT HALF SHAFT		1	
19	GBT119.2-8X18-A0P	PIN		1	
20	FT254.31F.151	RIGHT HALF SHAFT		1	

TE254. 311G FRONT DRIVING AXLE ASSEMBLY-4. 1

No.	Part No.	Description	Ver- sion	QTY.	Remark
1	JBT7940.1-M10X1	OIL CUP		1	
2	TE254.311G.2-01	RIGHT STEERING SUPPORT		1	
3	FT254.31F.104	SHAFT BUSH		1	
4	GBT3452.1-34.5X3.55G	RUBBER O-SEAL RING		1	
5	FT254.31F.105	STEERING SHAFT SEAT		1	
6	FT254.31F.102	SEAL GASKET		999	
7	GBT5783-M10X25-A3L	BOLT		7	
8	GBT93-10	WASHER		7	
9	GBT96.1-10-A0P	WASHER		1	
10	FT254.31F.106	MAT		1	
11	GBT276-6210	BEARING		1	
12	FT254.31F.108	HALF SHAFT BIG GEAR		1	
13	FT254.31F.119	END PIN SHAFT		1	
14	GBT276-6207	BEARING		1	
15	FT254.31F.101	HALF SHAFT PINION		1	
16	GBT3452.1-80.0X2.65G	RUBBER O-SEAL RING		1	
17	TE254.311G.1-02	STEERING BURL HOUSING		1	
18	FT254.31F.113	DUSTPROOF RING		1	
19	GBT5783-M6X20-A2L	BOLT		4	
20	FT254.31F.122	SHAFT BUSH		1	
21	GBT301-51106	BEARING		1	
22	FT254.31F.155a	RIGHT END HOUSING		1	
23	FT254.31F.118a	END PINION		1	
24	GBT276-6305	BEARING		1	
25	FT254.31F.117	ADJUSTING GASKET		999	
26	Q614B01	SQUARE HEAD TAPERED SCREW PLUG		1	
27	FT254.31F.116	BOTTOM END COVER		1	
28	GBT93-6	WASHER		4	

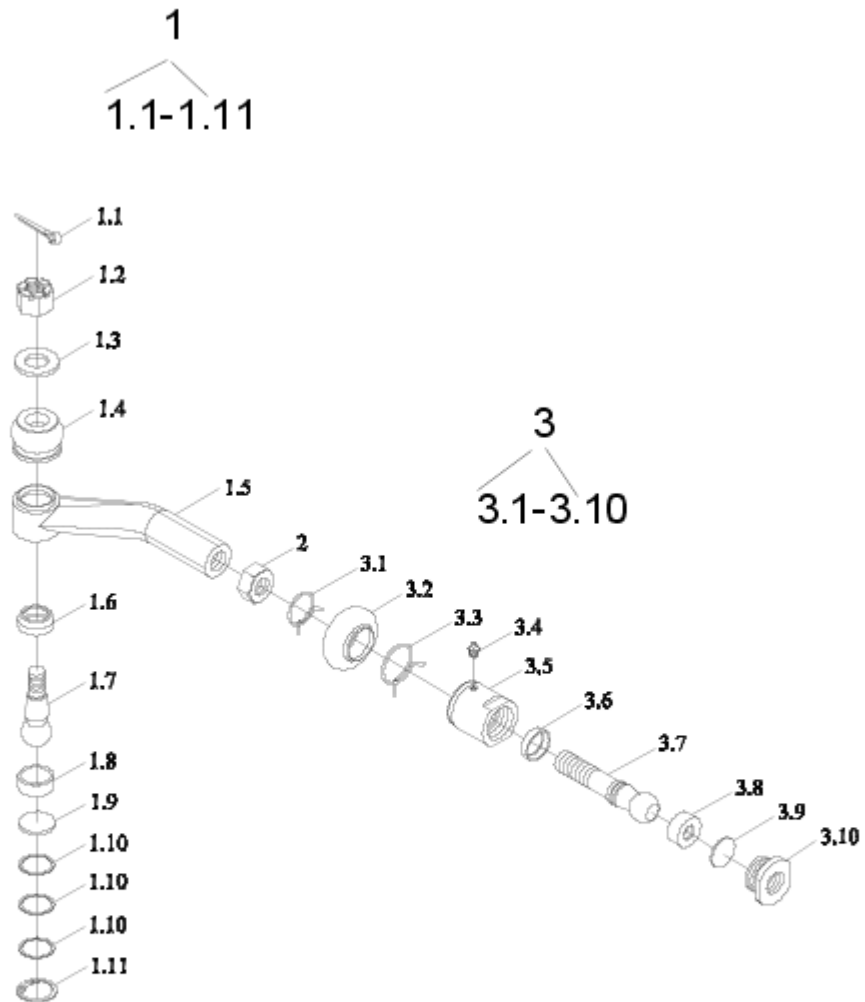
TE254. 311G FRONT DRIVING AXLE ASSEMBLY-4. 2



TE254. 311G FRONT DRIVING AXLE ASSEMBLY-4. 2

No.	Part No.	Description	Version	QTY.	Remark
1	GBT6171-M10X1.25-A2L	NUT		4	
2	GBT93-10	WASHER		12	
3	GBT899-AM10-M10X1.25X30-A2L	STUD		4	
4	FT254.31F.107	ADJUSTING GASKET		999	
5	GBT119.2-8X20-A0P	COLUMN PIN		2	
6	FT254.31F.175	SCREW PLUG		1	
7	FT254.31F.176	WASHER		1	
8	FT254.31F.114	ADJUSTING GASKET		999	
9	FT254.31F.115	ADJUSTING GASKET		999	
10	GBT276-6206	BEARING		1	
11	FT254.31F.110c	END BIG GEAR		1	
12	FT254.31F.112c	STEEL WIRE RETAINER RING		2	
13	GBT276-6308	DEEP GROOVE BALL BEARING		1	
14	FT254.31F.109c	END BIG COVER		1	
15	FT254.31F.178c	LOCATING RING		1	
16	FT254.31F.113	DUSTPROOF RING		2	
17	FT254.31F.111c	FRONT DRIVING SHAFT		1	
18	GBT5783-M10X30-A3L	BOLT		8	
19	FT254.31F.177	BOLT		6	

TE254. 311G FRONT DRIVING AXLE ASSEMBLY-5



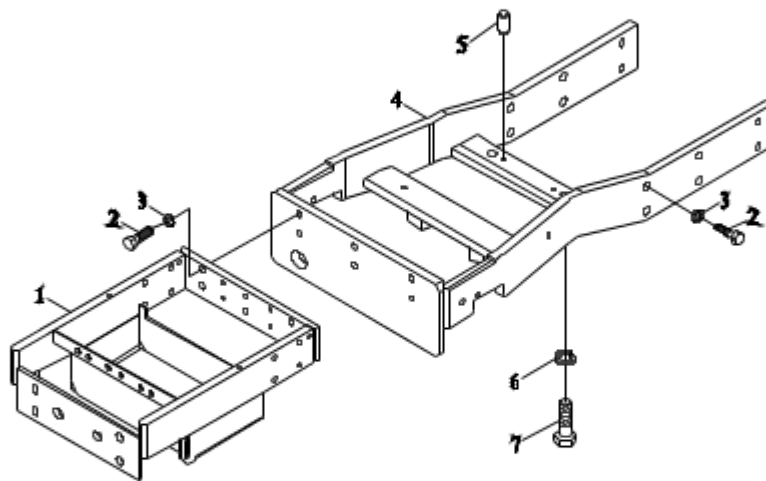
TE254. 311G FRONT DRIVING AXLE ASSEMBLY-5

No.	Part No.	Description	Ver- sion	QTY.	Remark
1	TE254.311G.5.1	LEFT ROCKER JOINT ASSEMBLY		1	
2	GBT6173-M18X1.5-A3L	NUT		1	
3	TE254.311G.5.2	OIL CYLINDER JOINT ASSEMBLY		1	

TE254. 311G FRONT DRIVING AXLE ASSEMBLY-6

No.	Part No.	Description	Ver- sion	QTY.	Remark
1	TE254.311G.5.2	OIL CYLINDER JOINT ASSEMBLY		1	
2	GBT6173-M18X1.5-A3L	NUT		1	
3	TE254.311G.6.1	RIGHT ROCKER JOINT ASSEMBLY		1	

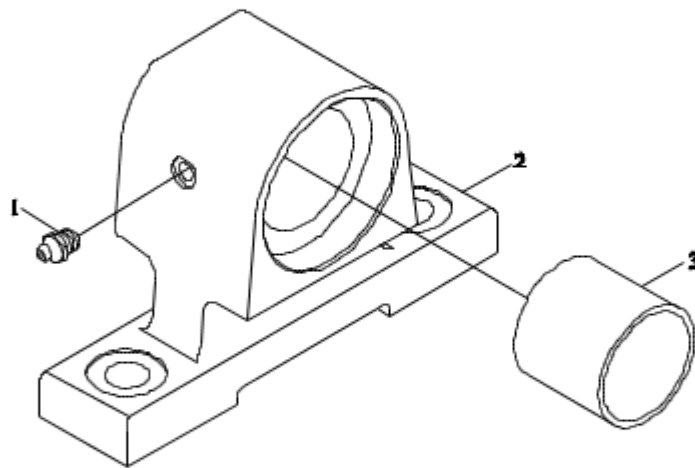
TE254. 312K BRACKET ASSEMBLY



TE254. 312K BRACKET ASSEMBLY

No.	Part No.	Description	Version	QTY.	Remark
1	TE254.312K.1	BATTERY BRACKET WELDMENT		1	
2	GBT5783-M12X35-8.8-A3L	BOLT		18	
3	GBT93-12-A0P	WASHER		18	
4	TE254.312G.1	HALF-BRACKET WELDMENT		1	
5	GBT119.2-8X20-A0P	PIN		4	
6	GBT93-16-A0P	WASHER		4	
7	GBT5783-M16X45-8.8-A3L	BOLT		4	

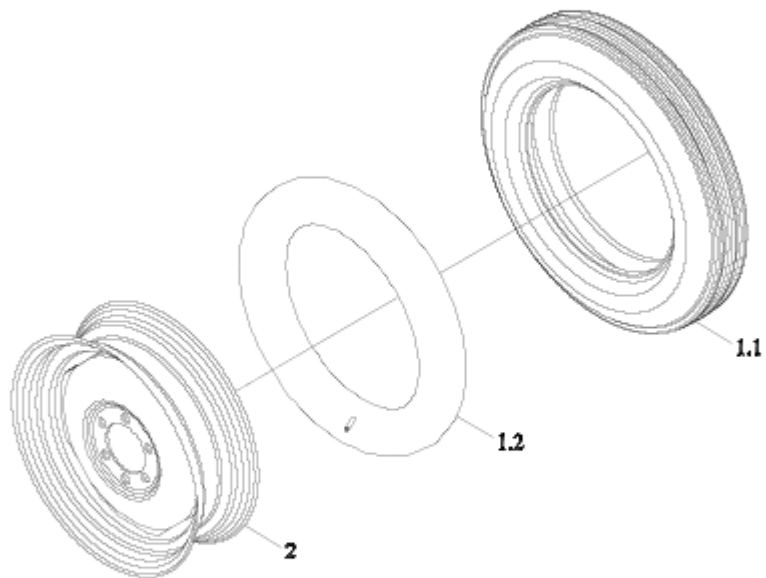
TE254. 313G FRONT SUPPORT SEAT ASSEMBLY



TE254. 313G FRONT SUPPORT SEAT ASSEMBLY

No.	Part No.	Description	Version	QTY.	Remark
1	JBT7940.1-M10X1	STRAIGHT FORCED FILL- ING OIL CUP		1	
2	TE254.313G-01	FRONT SUPPORT SEAT		1	
3	FT254.31F.136	SLIDING SHAFT SLEEVE 45X50X45		1	

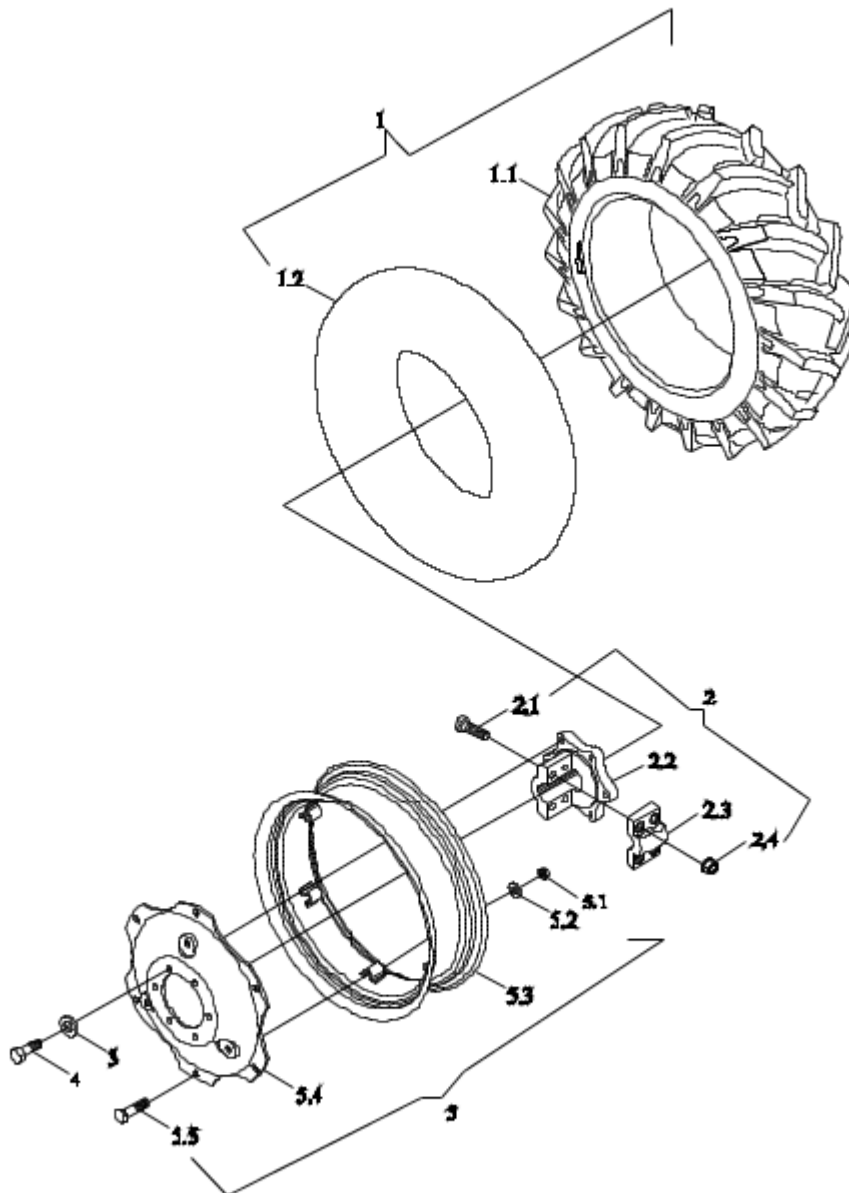
TE284. 32F FRONT DRIVING WHEEL ASSEMBLY



TE284. 32F FRONT DRIVING WHEEL ASSEMBLY

No.	Part No.	Description	Version	QTY.	Remark
1	TE254.32E.2	INNER&COVERTYREAS- SEMBLY		1	
1.1	GBT1192-6.00-16-6PR-R	DRIVING WHEEL OUTER TIRE		1	
1.2	GBT1192-6.00-16-R	DRIVING WHEEL INNER TUBE		1	
2	TE284.32F.1	RIM WELDMENT		1	

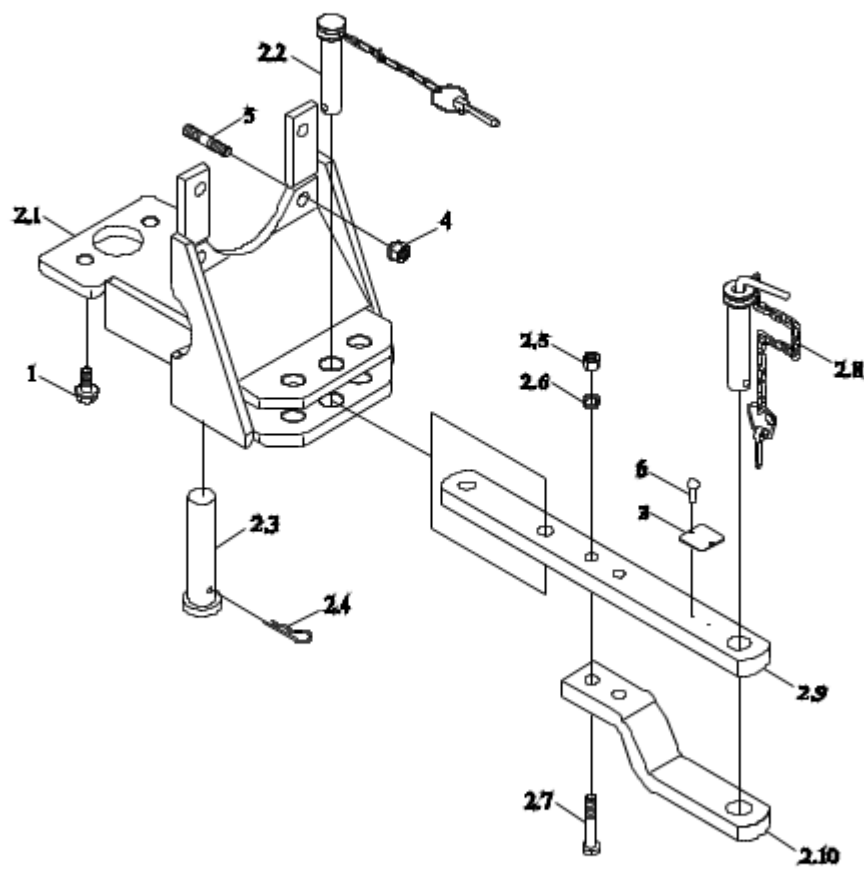
FT250. 34F. 001 REAR DRIVING WHEEL ASSEMBLY



FT250. 34F. 001 REAR DRIVING WHEEL ASSEMBLY

No.	Part No.	Description	Version	QTY.	Remark
1	FT250.34B.012	TIRES ASSEMBLY		1	
1.1	GBT2979-9.5-24-6PR-R	DRIVING WHEEL OUTER TUBE		1	
1.2	GBT2979-9.5-24-R	DRIVING WHEEL INNER TUBE		1	
2	TE254.34B.2	HUB INSTALLATION ASSEMBLY		1	
2.1	TE254.34B.2-01	HUB BOLT		4	
2.2	FT250.34.102a	DRIVING WHEEL HUB		1	
2.3	FT250.34.103a	DRIVING WHEEL HUB COVER		1	
2.4	SPL-CO-M14X1.5-10-F3	HEXAGON NUT		4	
3	FT250.34.108	HUB WASHER		6	
4	GBT5786-M14X1.5X35-10.9-A3L	HEXAGON BOLT		6	
5	FT250.34F.010	RIM SPOKE ASSEMBLY		1	
5.1	GBT6171-M16X1.5-10-A3L	NUT		6	
5.2	FT300.34.106	WASHER		6	
5.3	FT250.34F.011	RIM WELDMENT		1	
5.4	TE324.34.1.1-01	SPOKE PLATE		1	
5.5	FT300.34.102	RIM BOLT		6	

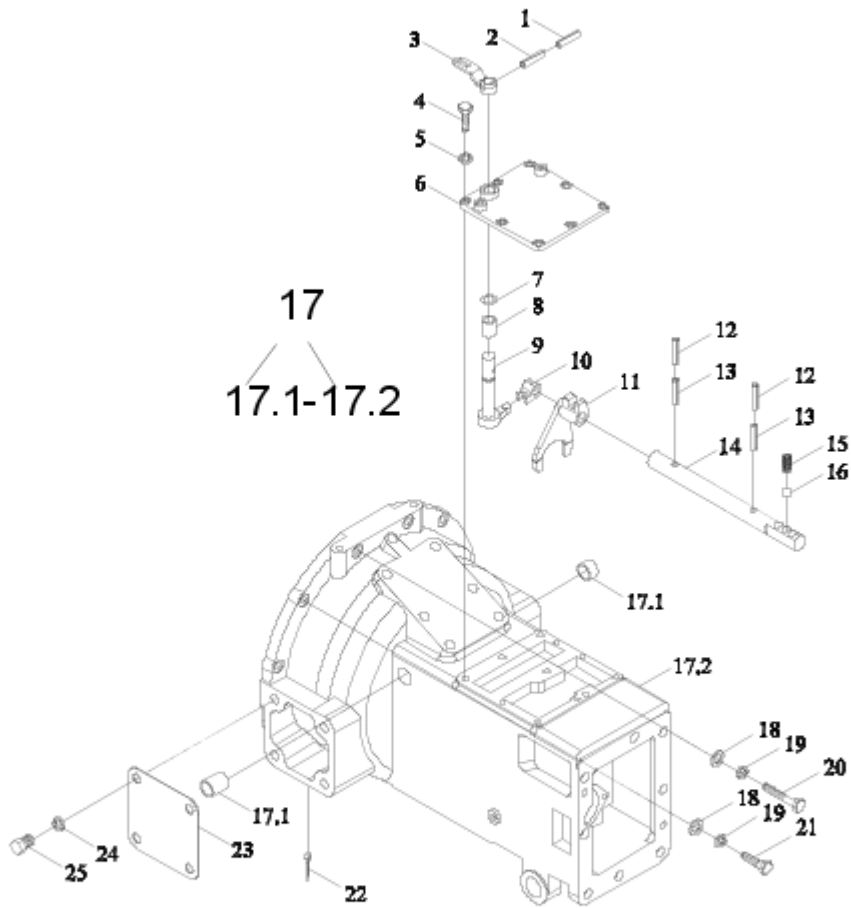
TE250. 35C TOWING MECHANISM INSTALLATION ASSEMBLY



TE250. 35C TOWING MECHANISM INSTALLATION ASSEMBLY

No.	Part No.	Description	Version	QTY.	Remark
1	GBT899-M12X35-8.8-A3L	HEXAGON FLANGE NUT		2	
2	TE250.35C.1	TRACTION DEVICE ASSEMBLY		1	
2.1	FT250.35.010	TOWING BRACKET WELDMENT		1	
2.2	TE250.35A.1.1	LIMITING PIN AND LOCK PIN ASSEMBLY		1	
2.3	FT250.35.101	CONNECTING PIN		1	
2.4	FT65.35.103	SPRING LOCK PIN		1	
2.5	GBT6170-M16-8-A3L	HEXAGON NUT, TYPE-1		2	
2.6	GBT93-16	STANDARD SPRING WASHER		2	
2.7	GBT5782-M16X80-8.8-A3L	HEXAGON BOLT		2	
2.8	TB400.35.1.2	TOWING PIN AND LOCK PIN ASSEMBLY		1	
2.9	TE250.35C.1-01	SWING ROD		1	
2.10	TB400.35.1-02	CONNECTING SWING ROD		1	
3	TE250.35C-01	TOWING SIGN PLATE		1	
4	SPL-CO-M12-10-F3	HEXAGON NUT		4	
5	GBT899-M12X32-8.8-A3L	DOUBLE END STUDS		4	
6	GBT827-3X8-A0P	LABEL RIVET		2	

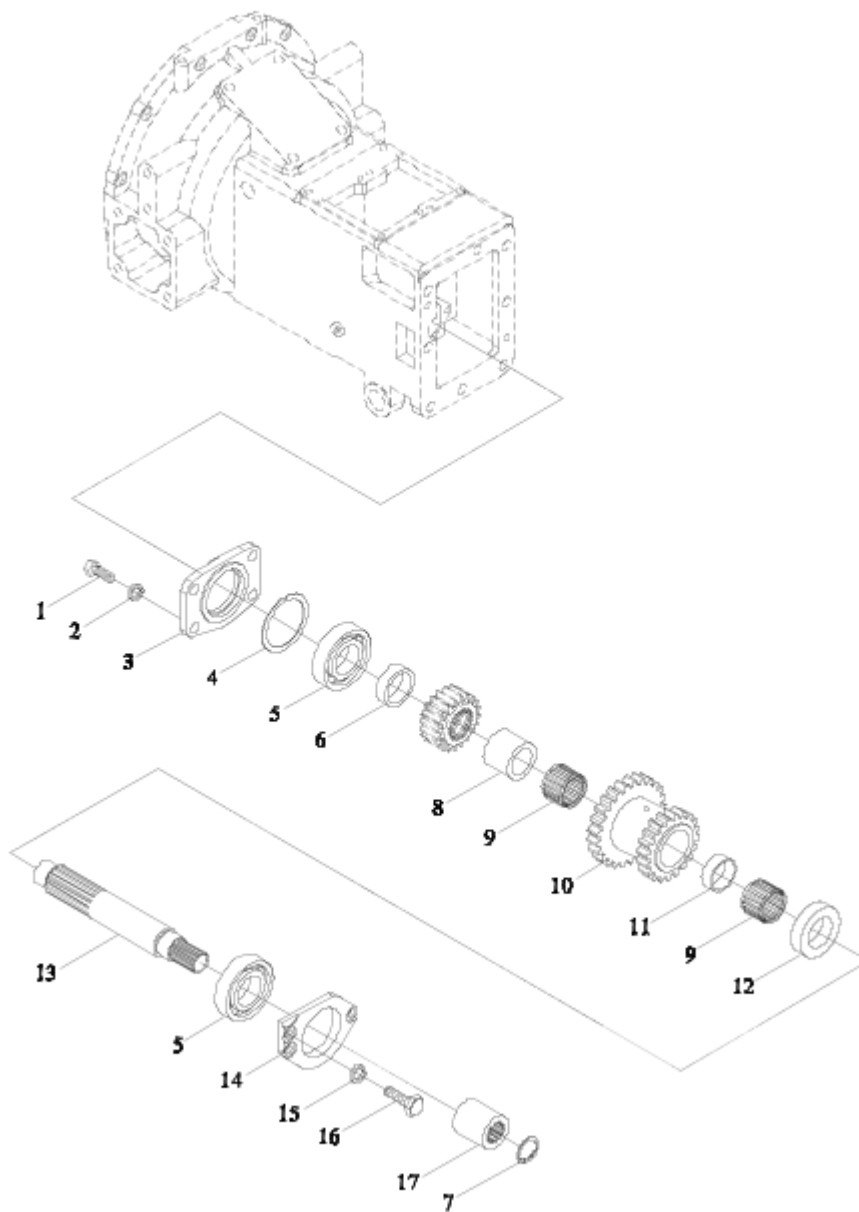
TE254. 361B SHUTTLE SHIFT ASSEMBLY-1



TE254. 361B SHUTTLE SHIFT ASSEMBLY-1

No.	Part No.	Description	Ver- sion	QTY.	Remark
1	GBT879.1-4X28	PIN			
2	GBT879.1-6X28	PIN			
3	TE250.361M.2	CONTROL ROCKER WELDMENT			
4	GBT5783-M8X25-8.8-A2L	BOLT			
5	GBT93-8-A0P	WASHER			
6	TE250.361M-02	SHUTTLE SHIFT UPPER COVER			
7	GBT3452.1-13.2X2.65G	O-RING			
8	TE250.361M-05	LIMITING SLEEVE			
9	TE250.361M-01	SHUTTLE SHIFT ROCKER ARM			
10	TE250.361M-03	SHUTTLE GEARSHIFT DI- AL HEAD			
11	TE250.361F-27	SHUTTLE SHIFT FORK			
12	GBT879.1-3X26	PIN			
13	GBT879.1-5X26	PIN			
14	TE250.361M-04	SHUTTLE SHIFT FORK SHAFT			
15	FT250.37.148	FORK SHAFT LOCKING SPRING			
16	GBT308-8.731-G200-b	STEEL BALL			
17	TE250.361M.1	CLUTCH HOUSING UNIT			
17.1	FT250.36.103	ROCKER SHAFT LONG BUSH			
17.2	TE250.361M.1-01a	CLUTCH HOUSING			
18	GBT97.1-10-A0P	FLAT WASHER			
19	GBT93-10	WASHER			
20	GBT5782-M10X55-8.8-A2L	BOLT			
21	GBT5783-M10X35-8.8-A3L	BOLT			
22	GBT91-4X20-A0P	PIN			
23	FT250.36.110	INSPECTION HOLE SIDE COVER			
24	GBT93-14	WASHER			
25	TE250.361F-17	BOLT			

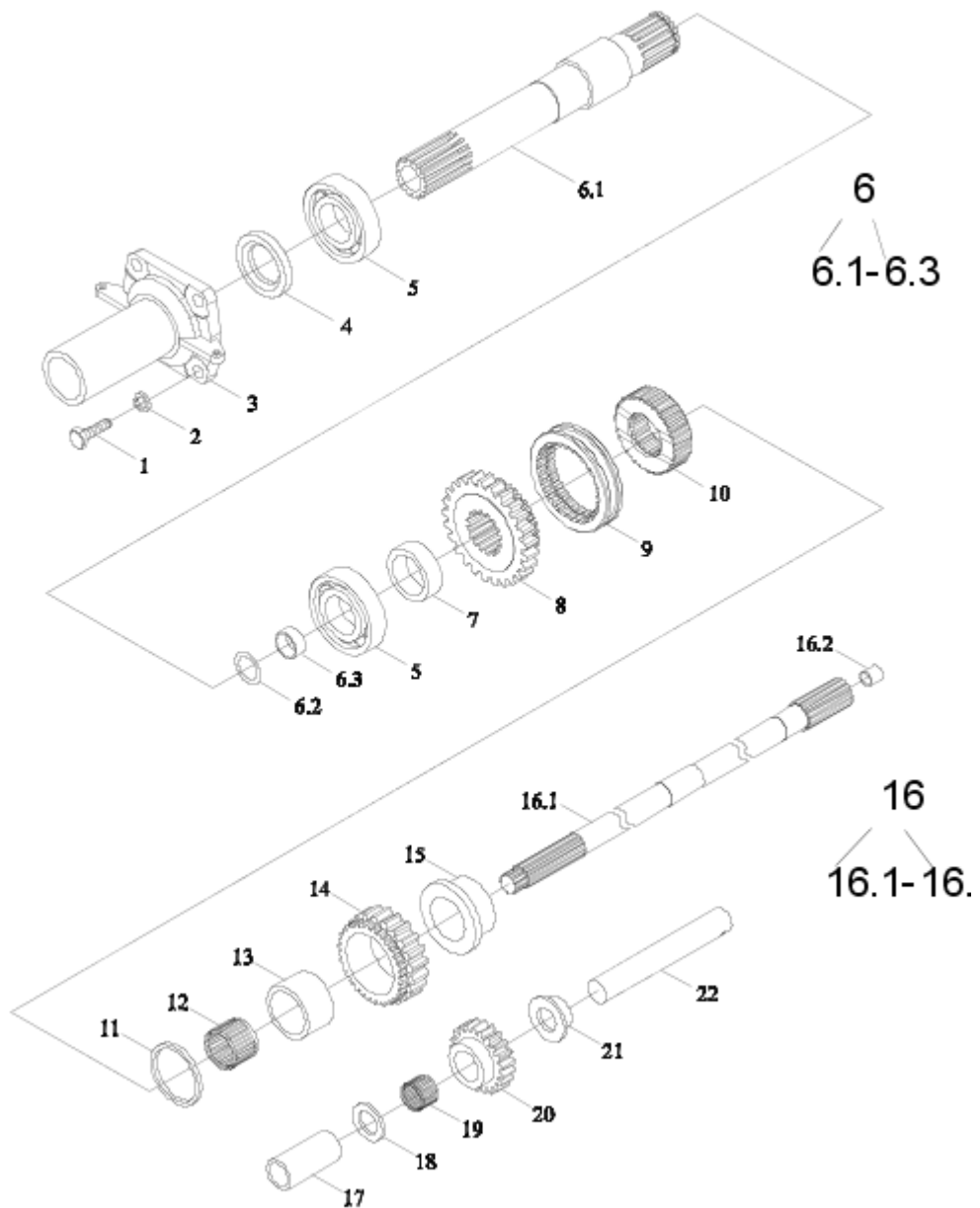
TE254. 361B SHUTTLE SHIFT ASSEMBLY-2



TE254. 361B SHUTTLE SHIFT ASSEMBLY-2

No.	Part No.	Description	Ver- sion	QTY.	Remark
1	GBT5783-M10X25-8.8-A3L	BOLT			
2	GBT93-10	WASHER			
3	TE250.361F-04	BEARING PRESSURE COVER			
4	TE250.361F-21	ADJUSTING WASHER			
5	GBT276-6305	BEARING			
6	TE250.361F-05	SPACER BUSH			
7	GBT893.1-18	RETAINER RING			
8	TE250.361F-25	SPACER BUSH I			
9	JBT7918-K30X35X27	BEARING			
10	TE250.361F-09	SHUTTLE SHIFT DRIVEN DUAL GEAR			
11	FT250.37.139	SHORT BUSH			
12	TE250.361F-26	SPACER BUSH II			
13	TE250.361F-12	SHUTTLE SHIFT MIDDLE SHAFT			
14	TE250.361F-22	BEARING PRESSURE COVER			
15	GBT93-8-A0P	WASHER			
16	GBT5783-M8X20-8.8-A2L	BOLT			
17	TE250.361F-13	SPLINE BUSH			

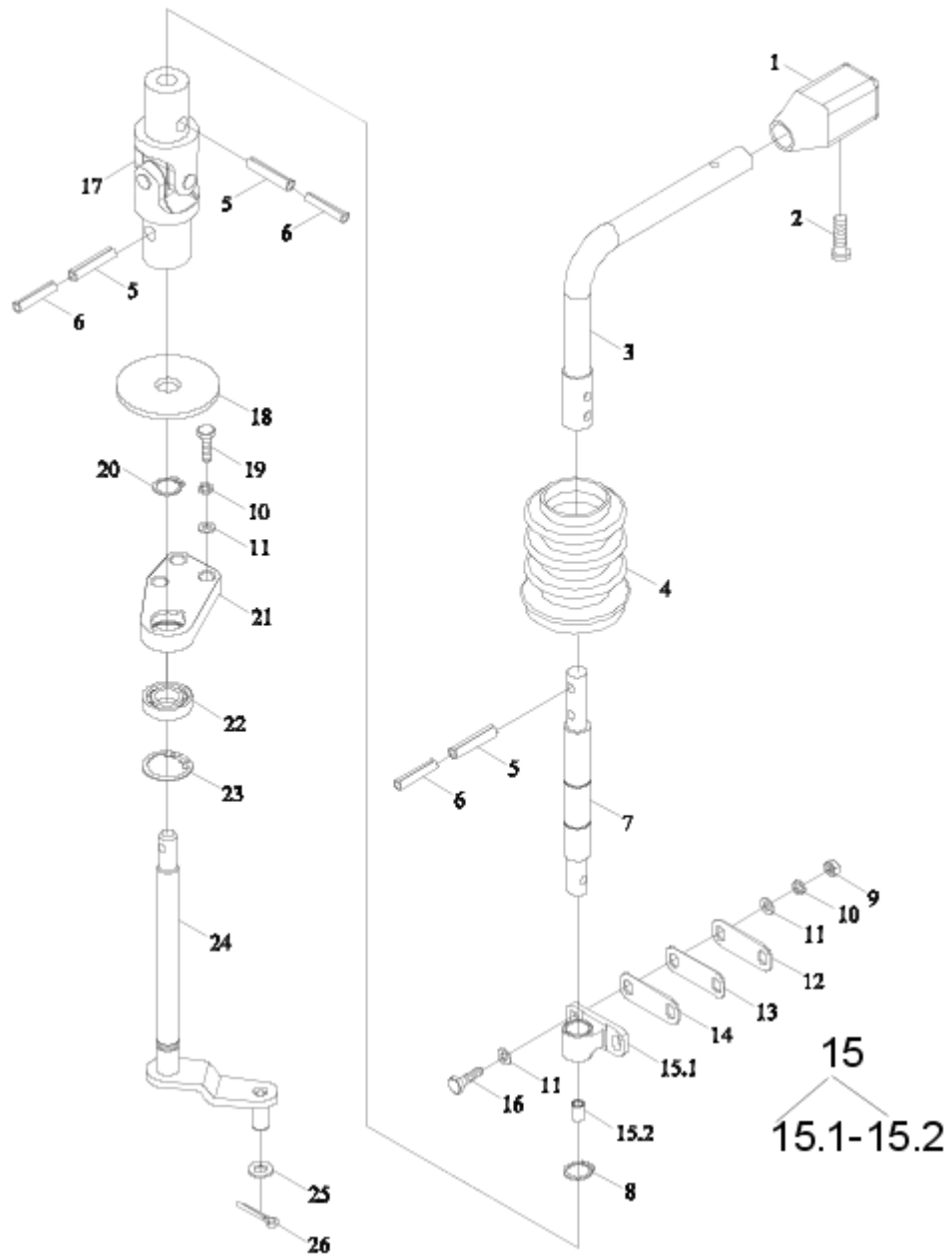
TE254. 361B SHUTTLE SHIFT ASSEMBLY-3



TE254. 361B SHUTTLE SHIFT ASSEMBLY-3

No.	Part No.	Description	Ver- sion	QTY.	Remark
1	GBT5783-M10X25-8.8-A3L	BOLT			
2	GBT93-10	WASHER			
3	TE250.361F-01	RELEASE BEARING SEAT SUPPORT			
4	GBT9877.1-FB35X55X8D	OIL SEAL			
5	GBT276-6207	BEARING			
6	TE250.361F.2	SHUTTLE SHIFT DRIVING SHAFT ASSEMBLY			
6.1	TE250.361F.2-01	SHUTTLE SHIFT DRIVING SHAFT			
6.2	GBT3452.1-20.0X1.80G	RUBBER O-SEAL RING			
6.3	TE250.361F.2-02	SLEEVE			
7	TE250.361F-29	DRIVING GEAR SPACER BUSH			
8	TE250.361D-05	SHUTTLE SHIFT DRIVING GEAR			
9	TE250.361D-24	SHIFT COLLAR			
10	TE250.361D-10	MESH GEAR SEAT			
11	TE250.361D-13	NEEDLE SPACER BUSH			
12	QSFZB019-K42X48X21	ROLLER NEEDLE BEARING			
13	TE250.361F-32	DRIVEN GEAR BUSH			
14	TE250.361D-09	SHUTTLE SHIFT DRIVEN GEAR			
15	TE250.361F-28	DRIVEN GEAR SPACER			
16	TE250.361F.3	PTO CLUTCH SHAFT ASSEMBLY			
16.1	TE250.361F.3-01	PTO CLUTCH SHAFT			
16.2	FT250.36B.128	SHAFT SLEEVE			
17	TE250.361F-31	IDLER SPACER II			
18	TE250.361D-01	WASHER			
19	QSFZB019-K20X26X24	ROLLER NEEDLE BEARING			
20	TE250.361F-10	SHUTTLE SHIFT IDLE WHEEL			
21	TE250.361F-30	IDLER SHAFT SPACER BUSH			
22	TE250.361F-14	SHUTTLE SHIFT IDLE SHAFT			

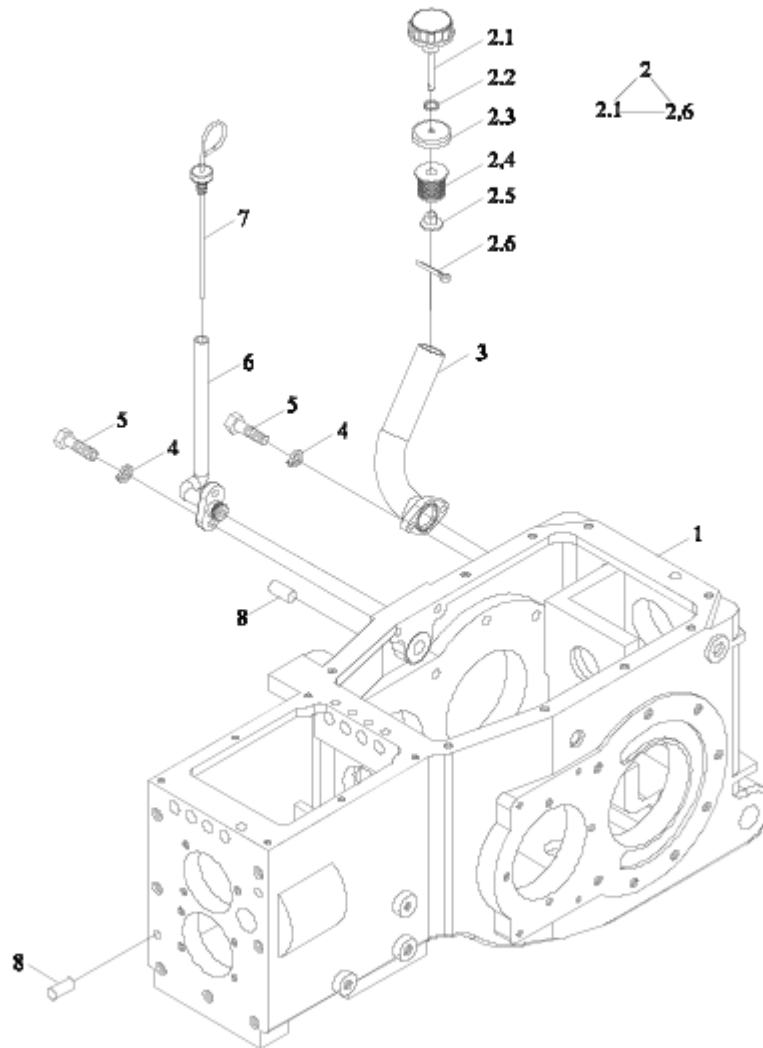
TE250. 362M SHUTTLE SHIFT CONTROL MECHANISM ASSEMBLY



TE250.362M SHUTTLE SHIFT CONTROL MECHANISM ASSEMBLY

No.	Part No.	Description	Version	QTY.	Remark
1	TE250.362D-04	PLASTIC HANDLE		1	
2	GBT818-M5X16-A2L	CROSS SCREW		1	
3	TE250.362M.2	GEARSHIFT LEVER WELDMENT		1	
4	TE250.362D-01	DUSTPROOF RING		1	
5	GBT879.1-6X18	SPRING COLUMN PIN		4	
6	GBT879.1-3.5X18	SPRING COLUMN PIN		4	
7	TE250.362M-02b	MIDDLE ROD		1	
8	GBT894.1-16	CIRCLIP FOR SHAFT		1	
9	GBT6170-M10-A3L	HEXAGON NUT, TYPE-1		2	
10	GBT93-10-A0P	STANDARD SPRING WASHER		5	
11	GBT97.1-10-A0P	FLAT WASHER		4	
12	TE250.362M-06	ADJUSTING WASHER		999	
13	TE250.362M-05	ADJUSTING WASHER		999	
14	TE250.362M-04	ADJUSTING WASHER		999	
15	TE250.362M.3	GUIDE SLEEVE UNIT		1	
15.1	TE250.362M.3-01	GUIDE SLEEVE		1	
15.2	TE250.362M.3-02	SLEEVE		1	
16	GBT5783-M10X35-8.8-A3L	HEXAGON BOLT		2	
17	TE250.362D.2	UNIVERSAL JOINT ASSEMBLY		1	
18	TE250.362M-03	SEAL BLOCK		1	
19	GBT5783-M10X25-8.8-A3L	HEXAGON BOLT		3	
20	GBT894.1-15	CIRCLIP FOR SHAFT		1	
21	TE250.362M-01a	GUIDE SLEEVE		1	
22	GBT276-6002-2RS	DEEP GROOVE BALL BEARING		1	
23	GBT893.1-32	CIRCLIPS FOR HOLE		1	
24	TE250.362M.1a	CONTROL ROD WELDMENT		1	
25	GBT848-12-A0P	SMALL WASHER		1	
26	GBT91-2.5X20-A0P	SPLIT PIN		1	

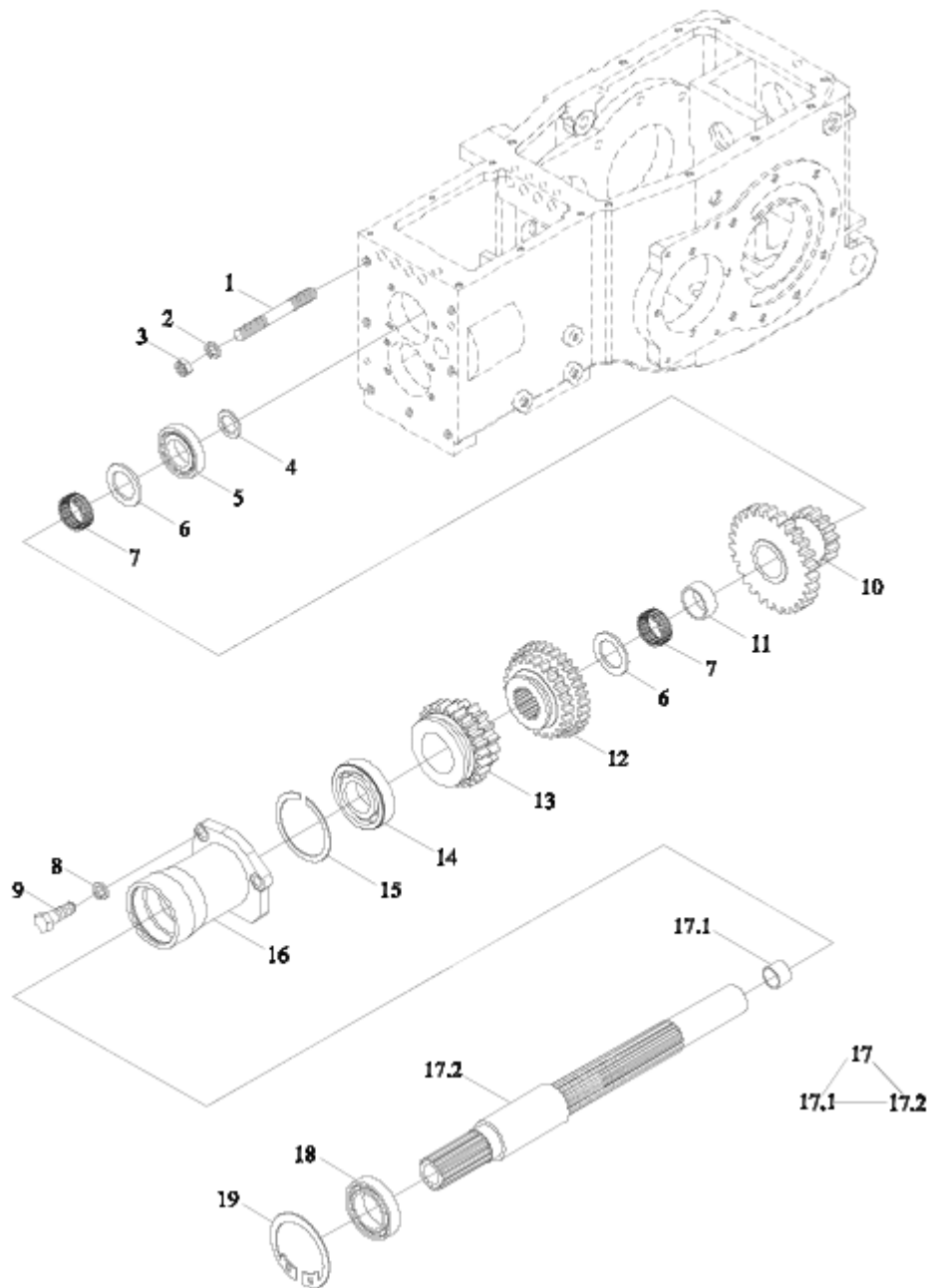
TE250. 371F TRANSMISSION CASE ASSEMBLY-1



TE250. 371F TRANSMISSION CASE ASSEMBLY-1

No.	Part No.	Description	Version	QTY.	Remark
1	TE250.371F.1-01a	TRANSMISSION CASE SHELL		1	
2	FT300.55B.029	OIL PIPE PLUG ASSEMBLY		1	
2.1	FT700.55D.029	HANDLE WHEEL ASSEMBLY I		1	
2.2	JBT982-8	WASHER		1	
2.3	FT700.55D.129	COVER PLATE		1	
2.4	FT300.55B.165	TENSION RUBBER SLEEVE		1	
2.5	FT300.55B.166	ADJUSTING NUT		1	
2.6	GBT91-3.2X16-A0P	PIN		1	
3	TE250.371F.1.1	OIL FILLING PIPE WELDMENT		1	
4	GBT93-8-A0P	STANDARD SPRING WASHER		4	
5	GBT5783-M8X25-8.8-A2L	HEXAGON BOLT		4	
6	TE250.371F.1.2	OIL DIPSTICK PIPE WELDMENT		1	
7	TE250.371F.1.3	DIPSTICK ASSEMBLY		1	
8	GBT119.1-10m6X26-A0P	COLUMN PIN		4	

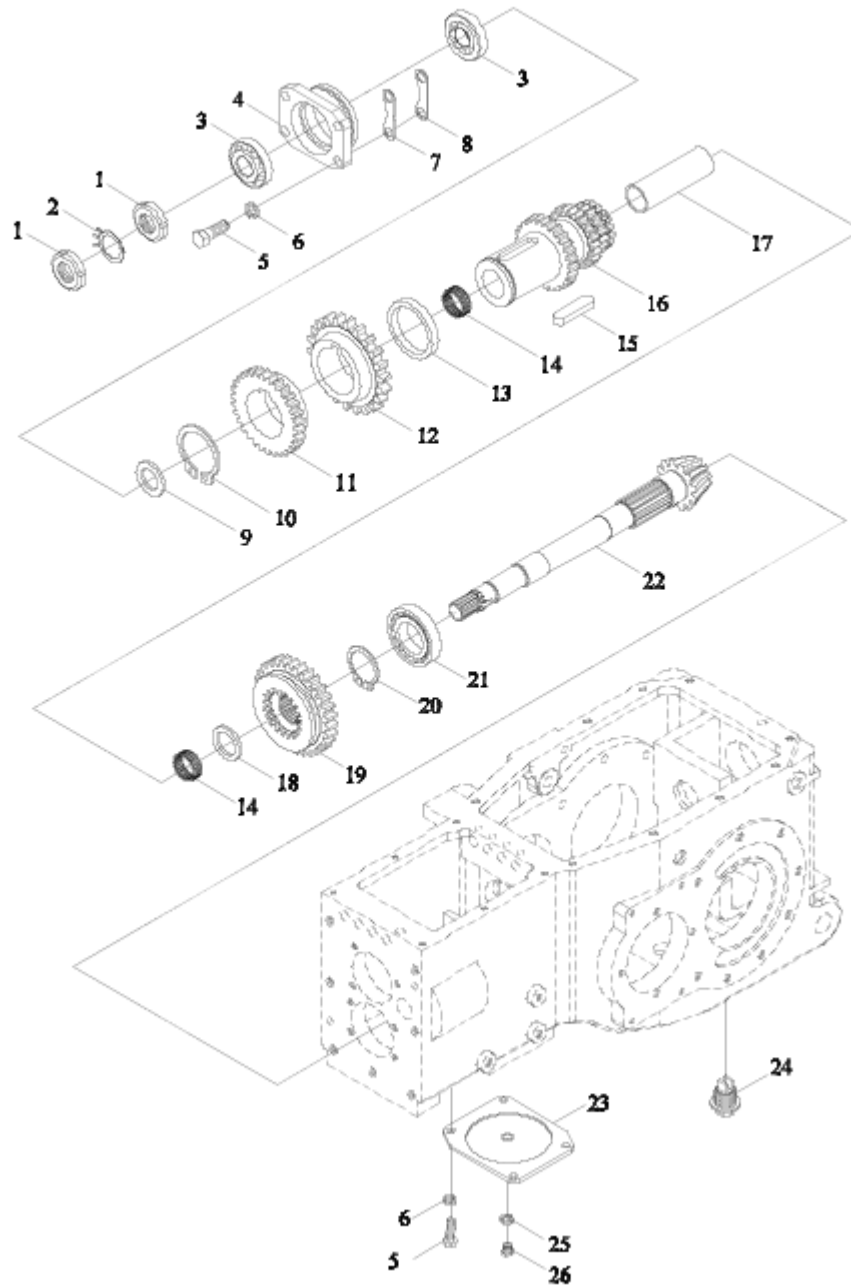
TE250. 371F TRANSMISSION CASE ASSEMBLY-2



TE250. 371F TRANSMISSION CASE ASSEMBLY-2

No.	Part No.	Description	Ver- sion	QTY.	Remark
1	GBT898-AM14-M14X1.5X40-8.8-A3L	DOUBLE END STUDS		7	
2	GBT93-14-A0P	STANDARD SPRING WASHER		7	
3	GBT6171-M14X1.5-8-A3L	HEXAGON NUT, TYPE-1		7	
4	FT250.37A.272	THRUST RING		1	
5	GBT283-NJ206E	COLUMN ROLLER BEARING		1	
6	FT250.37A.147	1ST SHAFT ASSISTANT GEARSHIFT SPACER RING		2	
7	JBT7918-K30X35X27	NEEDLE AND CARRIER COMBINATION		2	
8	GBT93-10-A0P	STANDARD SPRING WASHER		3	
9	GBT5783-M10X25-8.8-A3L	HEXAGON BOLT		3	
10	FT250.37.146	HIGH AND LOW FIXING GEAR		1	
11	FT250.37.139	SHORT SPACER		1	
12	TE250.371B-05	III-IV SLIDING GEAR		1	
13	FT250.37.130	I-II SLIDING GEAR		1	
14	GBT276-6207N	DEEP GROOVE BALL BEARING		1	
15	GBT305-72-78.6	THRUST RING		1	
16	TE250.371B-04	BEARING COVER		1	
17	TE250.371B.1	1ST SHAFT ASSEMBLY		1	
17.1	FT250.37A.137	SHAFT SLEEVE		1	
17.2	TE250.371B.1-01	1ST SHAFT		1	
18	GBT276-6007	DEEP GROOVE BALL BEARING		1	
19	GBT893.1-62	CIRCLIPS FOR HOLE		1	

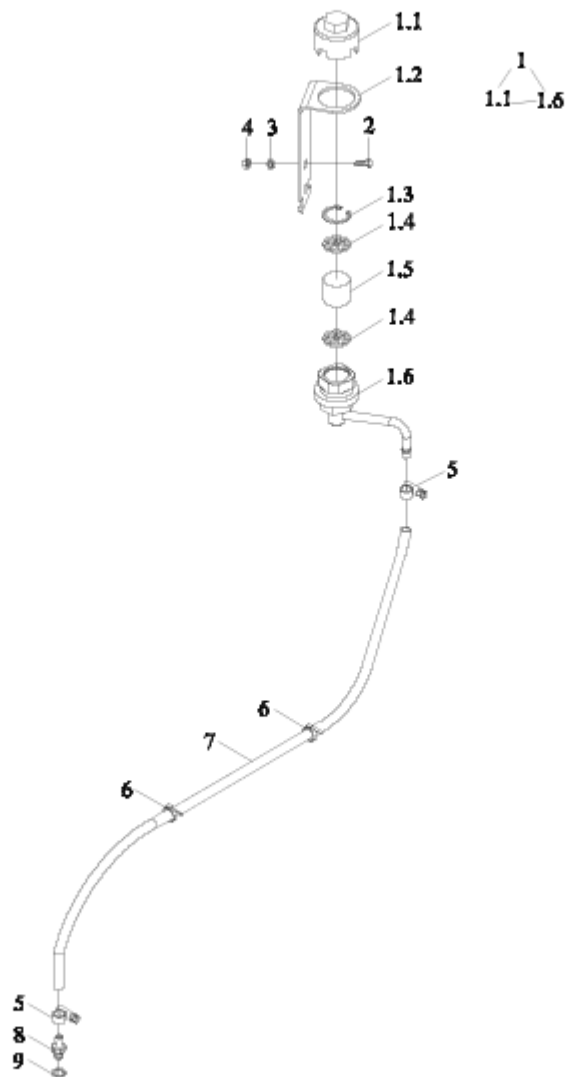
TE250. 371F TRANSMISSION CASE ASSEMBLY-3



TE250. 371F TRANSMISSION CASE ASSEMBLY-3

No.	Part No.	Description	Ver- sion	QTY.	Remark
1	GBT812-M27X1.5	ROUND NUT		2	
2	GBT858-27	THRUST WASHER FOR ROUND NUT		1	
3	GBT297-30206	TAPERED ROLLER BEARING		2	
4	FT250.37.121	SHAFT-2 FRONT BEARING SEAT		1	
5	GBT5783-M10X25-8.8-A3L	HEXAGON BOLT		4	
6	GBT93-10-A0P	STANDARD SPRING WASHER		4	
7	FT250.37.122	SHAFT-2 ADJUSTING WASHER		按需	
8	FT250.37.123	SHAFT-2 ADJUSTING WASHER		按需	
9	FT250.37.110a	SHAFT-2 FRONT THRUST RING		1	
10	GBT894.1-55	CIRCLIP FOR SHAFT		1	
11	FT250.37.120	II DRIVEN GEAR		1	
12	FT250.37.119	I DRIVEN GEAR		1	
13	TE250.371B-03	SPACER BUSH		1	
14	JBT7918-K32X37X27	NEEDLE AND CARRIER COMBINATION		2	
15	GBT1096-14X9X56	FLAT KEY		1	
16	TE250.371B-02a	III-IV DRIVEN GEAR		1	
17	FT250.37.105a	LONG SPACER BUSH		1	
18	FT250.37.104a	SHAFT-2 REAR THRUST RING		1	
19	FT250.37.103a	HIGH AND LOW GEAR FIX- ING GEAR		1	
20	GBT894.1-38	CIRCLIP FOR SHAFT		1	
21	TE250.371C-02	BEARING		1	
22	TE250.371B-01a	SECOND SHAFT		1	
23	FT250.37.237	TRANSFER CASE BLOCK COVER		1	
24	FT65.38.026	OIL PLUG ASSEMBLY		1	
25	JBT982-12	COMBINED SEAL GASKET		1	
26	Q617B12	HEXAGON PLUG		1	

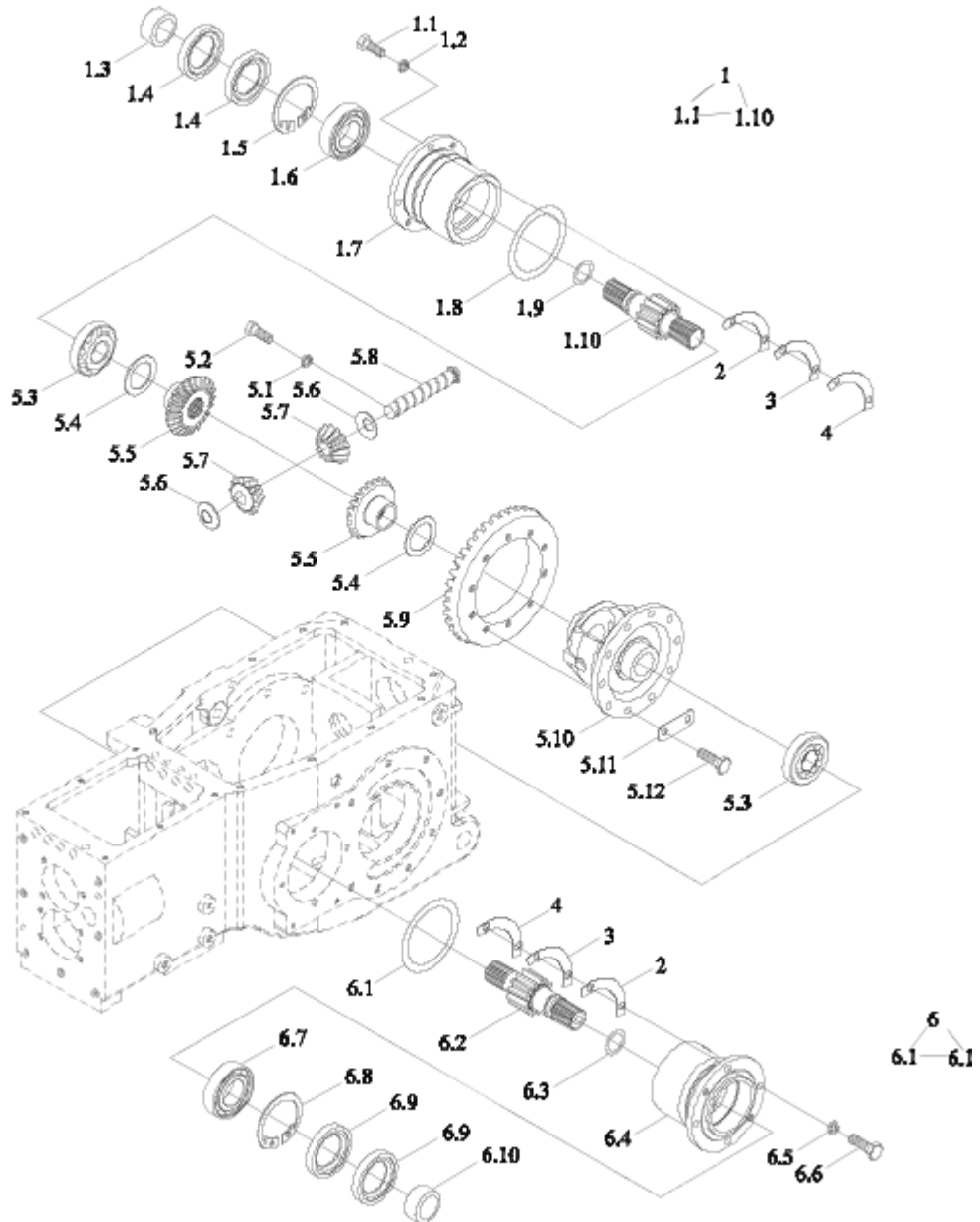
TE250. 371F TRANSMISSION CASE ASSEMBLY-4



TE250. 371F TRANSMISSION CASE ASSEMBLY-4

No.	Part No.	Description	Version	QTY.	Remark
1	FT300.55B.016	BREATH ASSEMBLY		1	
1.1	FT700.55D.136	BREATH COVER		1	
1.2	FT300.55B.164	BREATHER BRACKET		1	
1.3	GBT893.1-26	CIRCLIPS FOR HOLE		1	
1.4	FT650.40.167	SEAT PLATE		2	
1.5	FT700.55D.109	BREATH FILTER ELEMENT		1	
1.6	FT300.55B.027A	BREATHER CONNECTING PIPE WELDMENT		1	
2	GBT5783-M10X20-A3L	BOLT		2	
3	GBT93-10-A0P	WASHER		2	
4	GBT6170-M10-A3L	NUT		2	
5	Q67512	A-TYPE SCREW TRANS- MISSION RING CLAMP		2	
6	Q67405100	PLASTIC FASTENING STRIP		2	
7	TE354.371-02	BREATH HOSE		1	
8	TE354.371-01	BREATH JOINT		1	
9	JBT982-12	COMBINED SEAL GASKET		1	

TE250. 372F REAR CENTRAL ASSEMBLY OF TRANSMISSION CASE-1



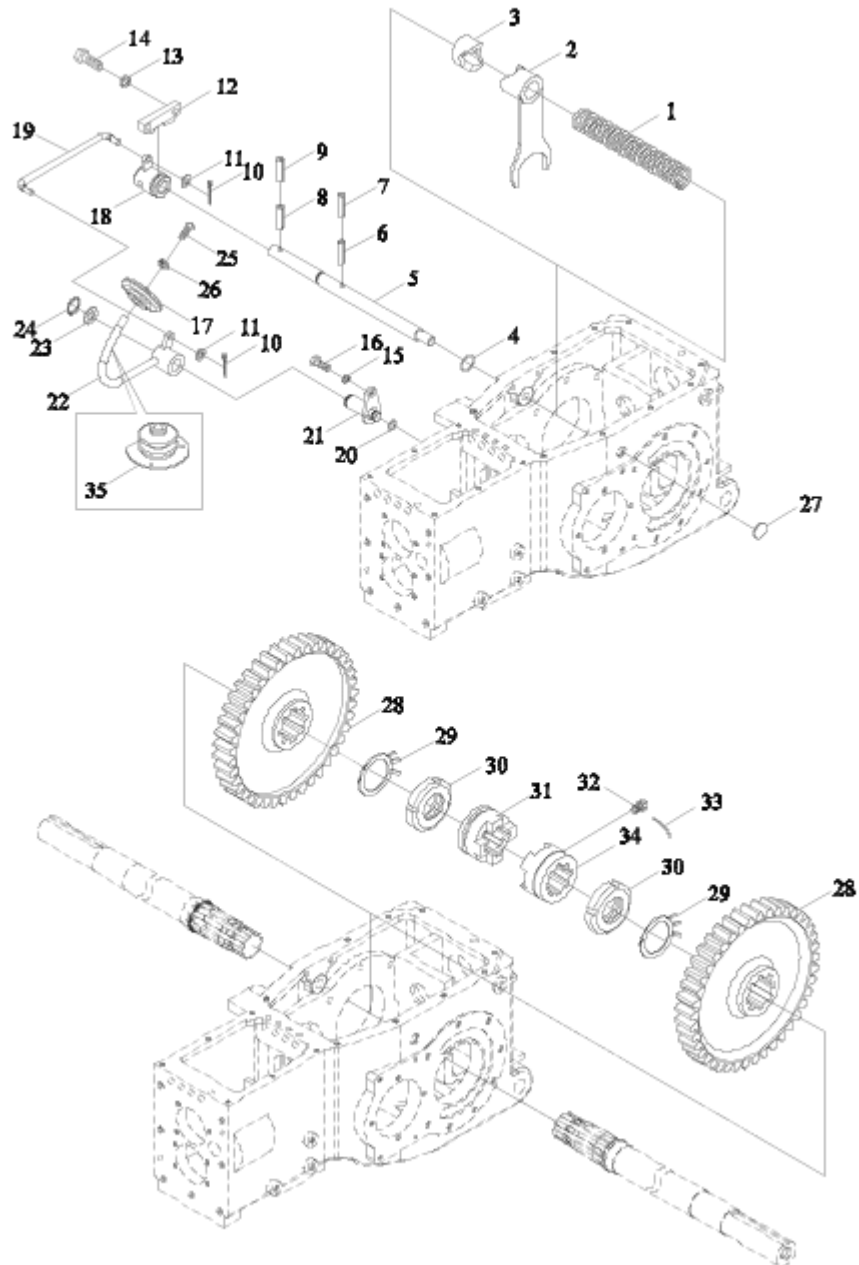
TE250. 372F REAR CENTRAL ASSEMBLY OF TRANSMISSION CASE-1

No.	Part No.	Description	Ver- sion	QTY.	Remark
1	TE250.372B.2	RIGHT SHORT HALF SHAFT ASSEMBLY		1	
1.1	GBT5783-M10X30-8.8-A3L	HEXAGON BOLT		4	
1.2	GBT93-10	STANDARD SPRING WASHER		4	
1.3	FT250.37.208	OIL SEAL COLLAR		1	
1.4	GBT9877.1-FB52X80X8D	SEAL RING		2	
1.5	GBT893.1-80	RETAINER RING		1	
1.6	GBT276-6307	DEEP GROOVE BALL BEARING		1	
1.7	FT250.37.207	BEARING SEAT		1	
1.8	GBT3452.1-103X3.55G	O-RING		1	
1.9	GBT3452.1-28.0X3.55G	RUBBER O-SEAL RING		1	
1.10	TE250.372B.1-01	FINAL TRANSMISSION DRIVING GEAR		1	
2	FT250.37.204	ADJUSTING WASHER			按需
3	FT250.37.205	ADJUSTING WASHER			按需
4	FT250.37.206	ADJUSTING WASHER			按需
5	FT250.37.013	DIFFERENTIAL ASSEMBLY		1	
5.1	GBT93-8-A0P	STANDARD SPRING WASHER		1	
5.2	FT250.37.201	FIXING SCREW		1	
5.3	GBT297-32011	TAPERED ROLLER BEARING		2	
5.4	FT250.37.203	HALF SHAFT GEAR WASHER		2	
5.5	FT250.37.202	HALF SHAFT GEAR		2	
5.6	FT250.37.199	PLANET GEAR WASHER		2	
5.7	FT250.37.200	PLANET GEAR		2	
5.8	FT250.37.198	PLANET GEAR SHAFT		1	
5.9	FT250.37.196	DRIVEN SPIRAL BEVEL GEAR		1	
5.10	FT250.37.197	DIFFERENTIAL HOUSING		1	
5.11	FT250.37.195	LOCK WASHER		5	
5.12	GBT5786-M10X1.25X25-8.8-A2L	HEXAGON BOLT		10	
6	TE250.372B.1	LEFT SHORT HALF SHAFT ASSEMBLY		1	
6.1	GBT3452.1-103X3.55G	O-RING		1	

TE250. 372F REAR CENTRAL ASSEMBLY OF TRANSMISSION CASE-1 (cont'd.)

No.	Part No.	Description	Version	QTY.	Remark
6.2	TE250.372B.1-01	FINAL TRANSMISSION DRIVING GEAR		1	
6.3	GBT3452.1-28.0X3.55G	RUBBER O-SEAL RING		1	
6.4	FT250.37.207	BEARING SEAT		1	
6.5	GBT93-10	STANDARD SPRING WASHER		4	
6.6	GBT5783-M10X30-8.8-A3L	HEXAGON BOLT		4	
6.7	GBT276-6307	DEEP GROOVE BALL BEARING		1	
6.8	GBT893.1-80	RETAINER RING		1	
6.9	GBT9877.1-FB52X80X8D	SEAL RING		2	
6.10	FT250.37.208	OIL SEAL COLLAR		1	

TE250. 372F REAR CENTRAL ASSEMBLY OF TRANSMISSION CASE-2



TE250. 372F REAR CENTRAL ASSEMBLY OF TRANSMISSION CASE-2

No.	Part No.	Description	Ver- sion	QTY.	Remark
1	FT300.38.160	DIFFERENTIAL LOCK RE- TURN SPRING		1	
2	TE250.372F-04	DIFFERENTIAL LOCK FORK		1	
3	TE250.372F-05	DIFFERENTIAL LOCK DIAL BLOCK		1	
4	GBT3452.1-15.0X2.65G	RUBBER O-SEAL RING		1	
5	TE250.372F-03	DIFFERENTIAL LOCK FORK SHAFT		1	
6	GBT879.1-8X40	SPRING COLUMN PIN		1	
7	GBT879.1-5X40	SPRING COLUMN PIN		1	
8	GBT879.1-8X35	SPRING COLUMN PIN		1	
9	GBT879.1-5X35	SPRING COLUMN PIN		1	
10	GBT91-3.2X16-A0P	SPLIT PIN		2	
11	GBT95-8-A0P	FLAT WASHER		2	
12	TE250.372F-02	RETAINER PLATE		1	
13	GBT93-10-A0P	STANDARD SPRING WASHER		2	
14	GBT5783-M10X30-8.8-A3L	HEXAGON BOLT		2	
15	GBT93-8-A0P	STANDARD SPRING WASHER		1	
16	GBT5783-M8X20-8.8-A2L	HEXAGON BOLT		1	
17	TE250.372F-07	DIFFERENTIAL LOCK PEDAL		1	
18	TE250.372F.3	DIFFERENTIAL LOCK FORK SHAFT STEERING HUB WELDMENT		1	
19	TE250.372F-01	DIFFERENTIAL LOCK CON- TROL PULL ROD		1	
20	GBT3452.1-11.8X1.80G	RUBBER O-SEAL RING		1	
21	TE250.372F.2	DIFFERENTIAL LOCK STEERING HUB SHAFT WELDMENT		1	
22	TE250.372F.1	DIFFERENTIAL LOCK ROCKER WELDMENT		1	
23	GBT97.1-20-A0P	FLAT WASHER		1	
24	GBT894.1-20	CIRCLIP FOR SHAFT		1	
25	GBT67-M6X16-4.8-A2L	SLOTTED PAN HEAD SCREW		1	
26	GBT93-6-A0P	STANDARD SPRING WASHER		1	

TE250. 372F REAR CENTRAL ASSEMBLY OF TRANSMISSION CASE-2 (cont'd.)

No.	Part No.	Description	Version	QTY.	Remark
27	FT250.37.232	PLIUG PIECE		1	
28	TE250.372B-01	FINAL TRANSMISSION DRIVEN GEAR		2	
29	GBT858-52	THRUST WASHER FOR ROUND NUT		2	
30	GBT812-M52X1.5	ROUND NUT		2	
31	TE300.372-05	RIGHT JAW		1	
32	FT250.37.264	LOCKING NUT		1	
33	TE250.212-05	LOW CARBON STEEL WIRE		1	
34	TE300.372-04	LEFT JAW		1	
35	TE250.372F-06	DUSTPROOF SLEEVE		1	

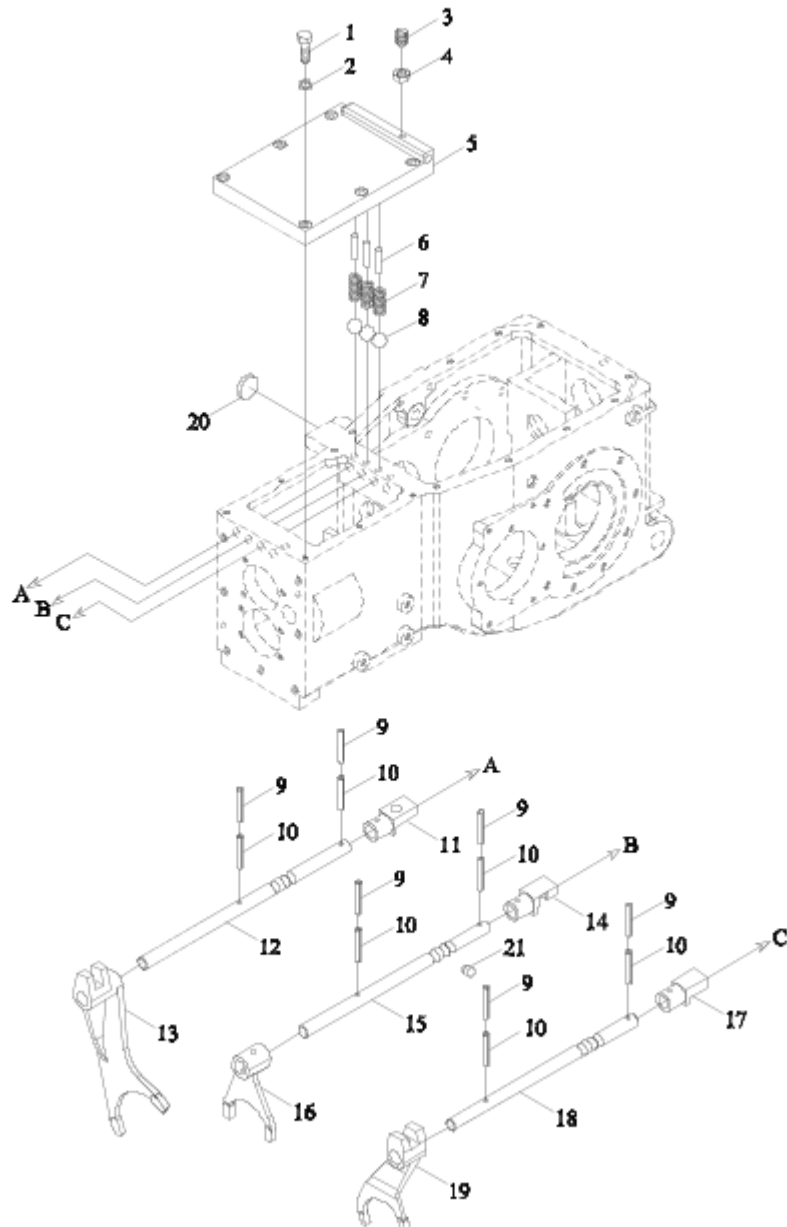
TE250. 373F TRANSMISSION CASE CONTROL MECHANISM ASSEMBLY-1

No.	Part No.	Description	Version	QTY.	Remark
1	TE250.373F.1.1	MAIN GEARSHIFT CONTROL COVER ASSEMBLY		1	
1.1	TE250.373F.1.1-01a	MAIN GEARSHIFT CONTROL ROD		1	
1.2	GBT119.1-6h8X40-A0P	COLUMN PIN		1	
1.3	FT800.37.138	GEARLEVER DUSTPROOF BONNET		1	
1.4	FT250.37.248	STEEL WIRE RETAINER RING		1	
1.5	GBT894.1-45	CIRCLIP FOR SHAFT		1	
1.6	FT250.37.211	MAIN GEARLEVER SEAT		1	
1.7	TE250.373F.1.1-03	PAD BLOCK		2	
1.8	TE250.373F.1.1-02	GEARLEVER LOCATING PLATE		1	
1.9	GBT854-8	STOPPING WASHER		2	
1.10	GBT5782-M8X40-8.8-A2L	HEXAGON BOLT		2	
1.11	FT250.37.183	GEARLEVER SPRING		1	
1.12	FT300.37.164	GEARLEVER SPRING RETAINER RING		1	
1.13	GBT879.1-5X35	SPRING COLUMN PIN		1	
1.14	GBT879.1-8X35	SPRING COLUMN PIN		1	
1.15	TE250.373F.1.1.1	MAIN GEARLEVER WELDMENT		1	
2	GBT5783-M8X25-8.8-A2L	HEXAGON BOLT		4	
3	GBT93-8-A0P	STANDARD SPRING WASHER		4	
4	TE250.373F.1.2	AUXILIARY GEARSHIFT LOWER CONTROL ROCKER WELDMENT		1	
5	GBT879.1-6X24	SPRING COLUMN PIN		2	
6	GBT879.2-3.5X24	SPRING COLUMN PIN		2	
7	GBT3452.1-12.5X1.80G	RUBBER O-SEAL RING		1	
8	Q72218	PLUG PIECE		1	
9	GBT308-9.5-G200-b	STEEL BALL		1	
10	FT704.42B.163	FORK SHAFT LOCATING SPRING		2	
11	GBT6172.1-M12-04-A3L	HEXAGON THIN NUT		1	
12	GBT73-M12X25-14H-A3L	SLOTTED LOCKING SCREW		1	

TE250.373F TRANSMISSION CASE CONTROL MECHANISM ASSEMBLY-1 (cont'd.)

No.	Part No.	Description	Version	QTY.	Remark
13	GBT5783-M6X20-8.8-A2L	HEXAGON BOLT		1	
14	GBT93-6-A0P	STANDARD SPRING WASHER		1	
15	TE250.373F.1-03	SIDE-MOUNTED CONTROL LOWER COVER		1	
16	TE250.373F.1-05	MAIN GEARSHIFT CON- TROL TRANSFER ROD		1	
17	TE250.373F.1-01	SIDE-MOUNTED CONTROL UPPER COVER		1	
18	TE250.373F.1-02	MAIN GEARSHIFT OUTER CONTROL FORK HEAD		1	
19	TE250.373F.1-04	AUXILIARY GEARSHIFT CONTROL TRANSMISSION ROD		1	

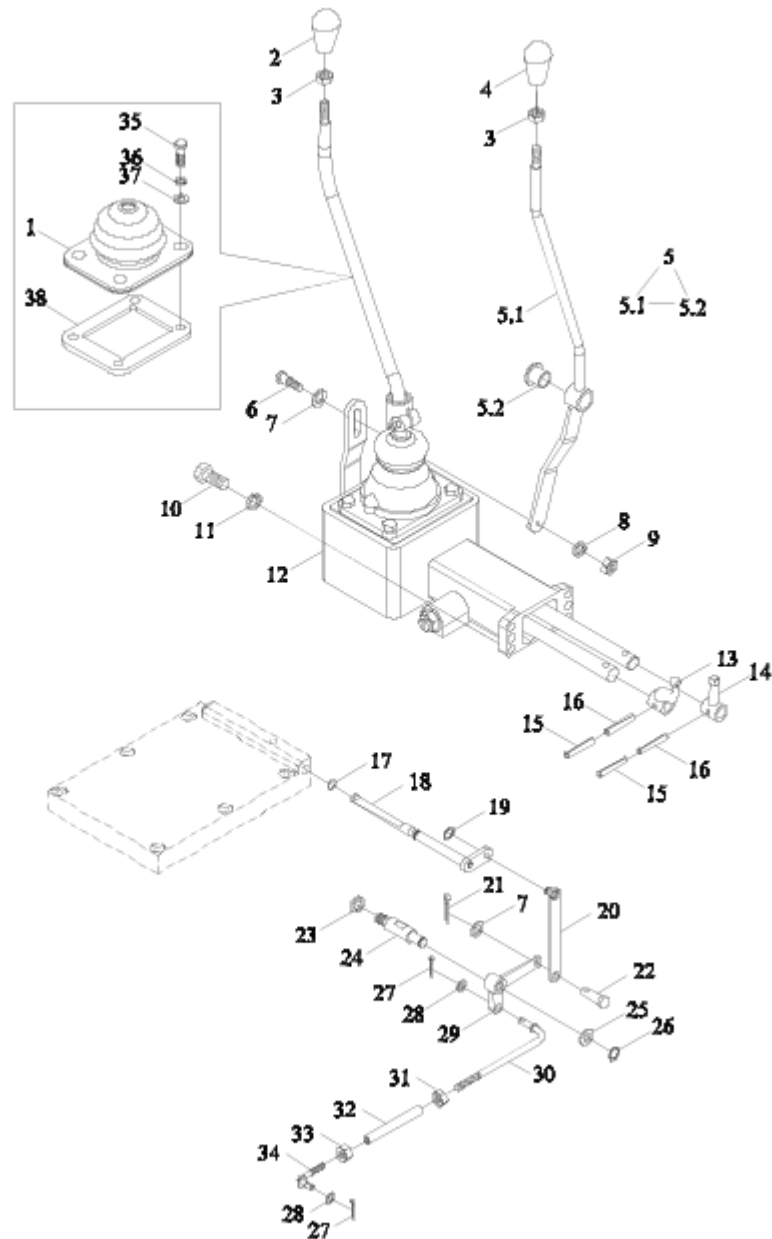
TE250. 373F TRANSMISSION CASE CONTROL MECHANISM ASSEMBLY-2



TE250. 373F TRANSMISSION CASE CONTROL MECHANISM ASSEMBLY-2

No.	Part No.	Description	Version	QTY.	Remark
1	GBT5783-M8X40-8.8-A2L	HEXAGON BOLT		6	
2	GBT93-8-A0P	STANDARD SPRING WASHER		6	
3	FT250.37.249	FIXING SCREW		1	
4	GBT6173-M8X1-05-A2L	HEXAGON THIN NUT		1	
5	TE250.373F-01	GEARBOX INTERLOCK PRESSURE COVER		1	
6	FT250.37.250	FIXING PIN		3	
7	TE354.373A-01	SELF LOCKING SPRING		3	
8	GBT308-8-G100-b	STEEL BALL		3	
9	GBT879.1-3X24	SPRING COLUMN PIN		6	
10	GBT879.1-5X24	SPRING COLUMN PIN		6	
11	TE250.373F-11	HIGH AND LOW GEAR DIAL BLOCK		1	
12	TE250.373F-08	HIGH AND LOW GEAR FORK SHAFT		1	
13	FT250.37.145	HIGH AND LOW GEAR FORK		1	
14	TE250.373F-10	III-IV GEAR DIAL BLOCK		1	
15	TE250.373F-07	III-IV FORK SHAFT		1	
16	TE250.373B-01	III-IV FORK		1	
17	TE250.373F-09	I-II GEAR DIAL BLOCK		1	
18	TE250.373F-06	I-II GEAR FORK SHAFT		1	
19	FT250.37.131	FORK, I-II		1	
20	Q72114	PLUG PIECE		1	
21	FT700.37.178	GEARSHIFT SHAFT INTER-LOCKING PIN		1	

TE250. 373F TRANSMISSION CASE CONTROL MECHANISM ASSEMBLY-3



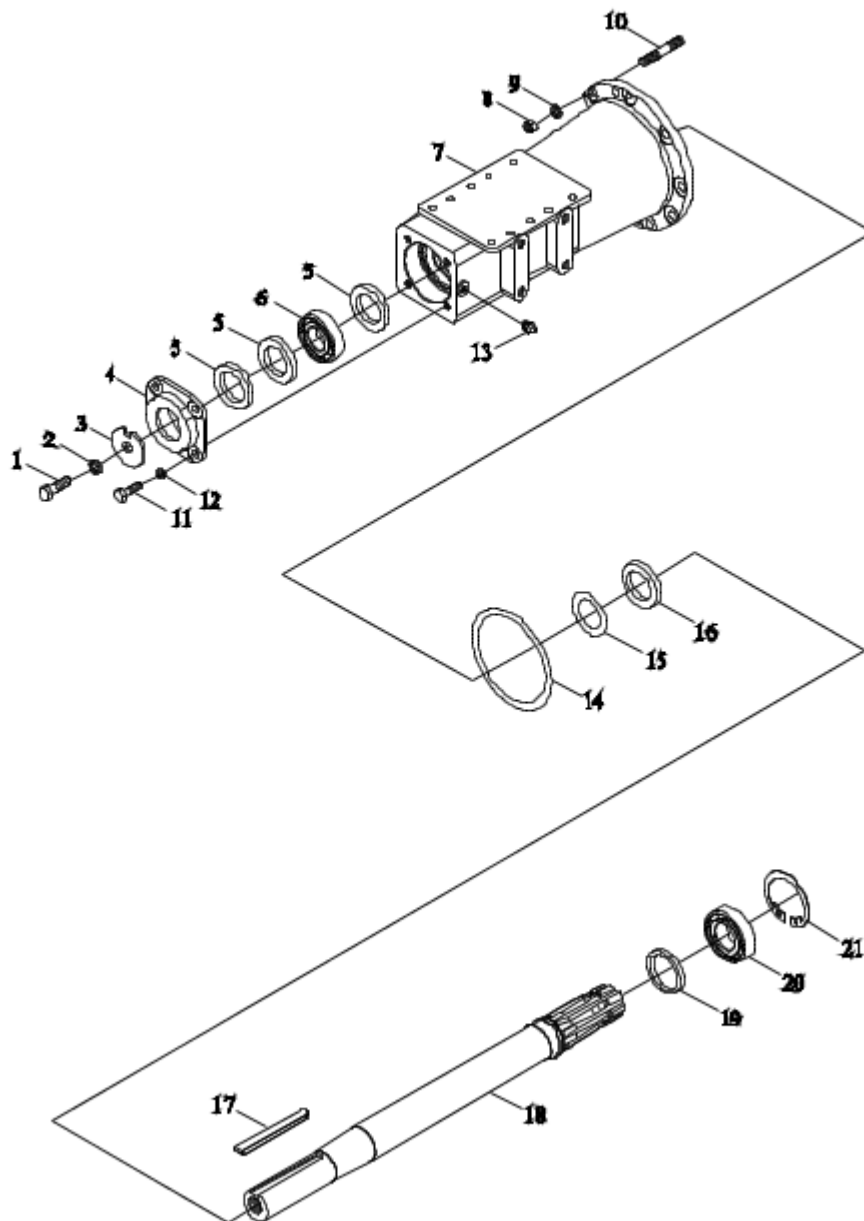
TE250. 373F TRANSMISSION CASE CONTROL MECHANISM ASSEMBLY-3

No.	Part No.	Description	Version	QTY.	Remark
1	TE250.373F-15	SHIELD		1	
2	TE250.371G.2.2	MAIN GEARSHIFT CONTROL HANDLE		1	
3	GBT6170-M10-8-A3L	HEXAGON NUT, TYPE-1		2	
4	FT250.37.037	AUXILIARY GEARSHIFT CONTROL HANDLE		1	
5	TE250.373F.5	AUXILIARY GEARSHIFT UPPER CONTROL ROD PRESSURE UNIT		1	
5.1	TE250.373F.5.1	AUXILIARY GEARSHIFT UPPER CONTROL ROD WELDMENT		1	
5.2	TE254.582H.11-01	NYLON SLEEVE		1	
6	TE250.373F-13	STEP BOLT		1	
7	GBT95-8-A0P	FLAT WASHER		2	
8	GBT93-6-A0P	STANDARD SPRING WASHER		1	
9	GBT6170-M6-8-A2L	HEXAGON NUT, TYPE-1		1	
10	GBT5783-M8X25-8.8-A2L	HEXAGON BOLT		4	
11	GBT93-8-A0P	STANDARD SPRING WASHER		4	
12	TE250.373F.1	SIDE-MOUNTED CONTROL MECHANISM ASSEMBLY		1	
13	TE250.373F-02	MAIN GEARSHIFT CONTROL INNER FORK HEAD		1	
14	TE250.373F-03	AUXILIARY GEARSHIFT CONTROL INNER DIAL HEAD		1	
15	GBT879.2-3.5X24	SPLIT PIN		2	
16	GBT879.1-6X24	SPLIT PIN		2	
17	GBT3452.1-8.75X1.80G	O-RING		1	
18	TE250.373F.2	INTERLOCKING SHAFT WELDMENT		1	
19	GBT896-6	SPLIT RETAINER RING		1	
20	TE250.373F.7	PULL PLATE WELD		1	
21	GBT91-3.2X20-A0P	SPLIT PIN		1	
22	GBT882-B8X16-A0P	PIN SHAFT		1	
23	GBT93-12-A0P	STANDARD SPRING WASHER		1	
24	TE250.373F-14	STUD		1	

TE250.373F TRANSMISSION CASE CONTROL MECHANISM ASSEMBLY-3 (cont'd.)

No.	Part No.	Description	Version	QTY.	Remark
25	GBT848-12-A0P	SMALL WASHER		1	
26	GBT894.1-12	CIRCLIP FOR SHAFT		1	
27	GBT91-3.2X25-A0P	SPLIT PIN		2	
28	GBT95-10-A0P	FLAT WASHER		2	
29	TE250.373F.4	INTERLOCKING ROTARY SLEEVE WELDMENT		1	
30	TE250.373F.6	PULL ROD WELDMENT		1	
31	GBT6171-M10X1-8-A2L	HEXAGON NUT, TYPE-1		1	
32	TE250.433C-09	CONNECTING ROD		1	
33	GBT6171-M10X1-LH-8-A2L	HEXAGON NUT, TYPE-1		1	
34	TE250.433C.14	BRAKE SHORT TIE ROD WELD (II)		1	
35	GBT5783-M5X20-8.8-A2L	BOLT		4	
36	GBT93-5-A0P	STANDARD SPRING WASHER		4	
37	GBT95-5-A0P	FLAT WASHER		4	
38	TE250.373F-12	PRESSURE PLATE		1	

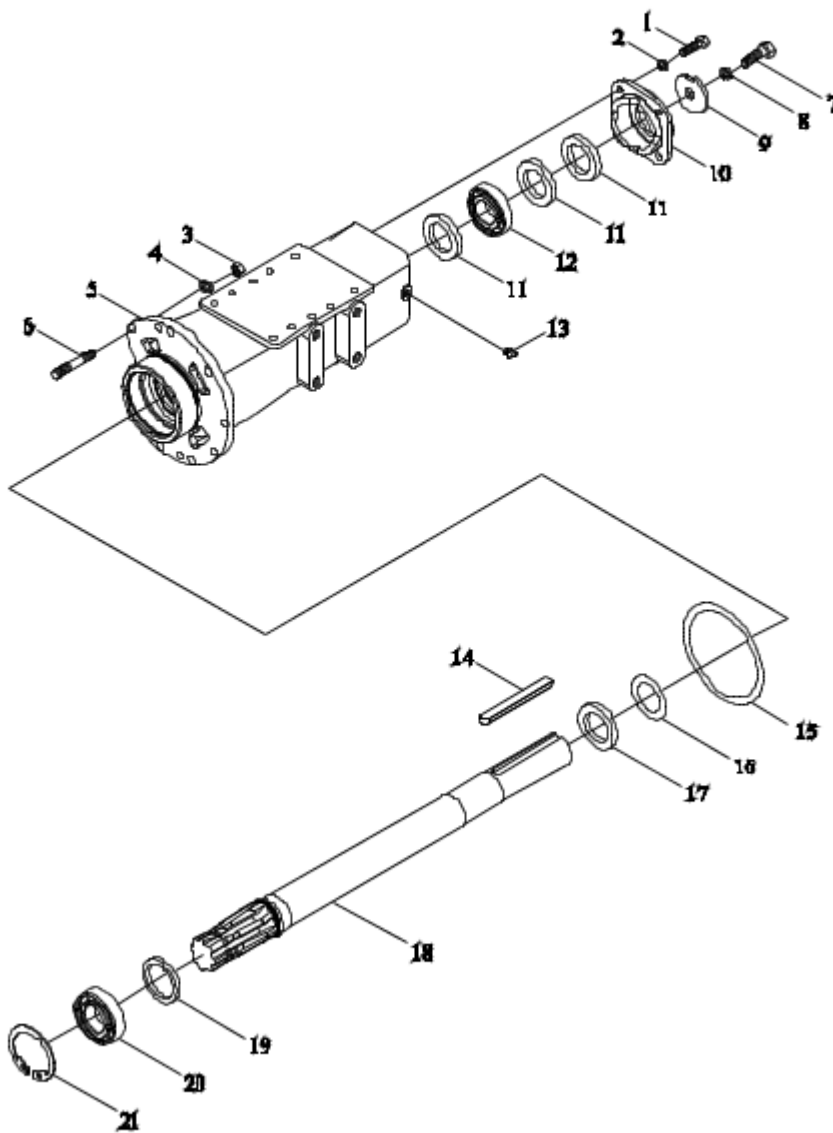
TE250. 391C FINAL TRANSMISSION ASSEMBLY (LEFT)



TE250. 391C FINAL TRANSMISSION ASSEMBLY (LEFT)

No.	Part No.	Description	Version	QTY.	Remark
1	GBT5783-M16X35-8.8-A3L	HEXAGON BOLT		1	
2	GBT93-16-A0P	STANDARD SPRING WASHER		1	
3	FT250.37.216	RETAINER RING		1	
4	FT250.37.214	DRIVING SHAFT BEARING COVER		1	
5	GBT9877.1-FB50X72X8D	SEAL RING		3	
6	GBT276-6210	DEEP GROOVE BALL BEARING		1	
7	TE250.391C-01	LEFT DRIVING SHAFT SLEEVE		1	
8	GBT6171-M12X1.25-10-A2L	HEXAGON NUT, TYPE-1		8	
9	GBT93-12-A0P	STANDARD SPRING WASHER		8	
10	GBT899-AM12-M12X1.25X35-10.9-A 3L	DOUBLE END STUDS		8	
11	GBT5783-M10X25-8.8-A3L	HEXAGON BOLT		4	
12	GBT93-10-A0P	STANDARD SPRING WASHER		4	
13	JBT7940.1-M10X1	STRAIGHT FORCED FILLING OIL CUP		1	
14	GBT3452.1-112X3.55G	RUBBER O-SEAL RING		1	
15	FT250.37.242	OIL SEAL SPACER RING		1	
16	GBT9877.1-FB55X75X8D	SEAL RING		1	
17	FT250.37.215	FLAT KEY		1	
18	FT250.37B.212	DRIVING SHAFT		1	
19	FT250.37.218	BEARING RETAINER RING		1	
20	GBT276-6211	DEEP GROOVE BALL BEARING		1	
21	GBT893.1-100	CIRCLIPS FOR HOLE		1	

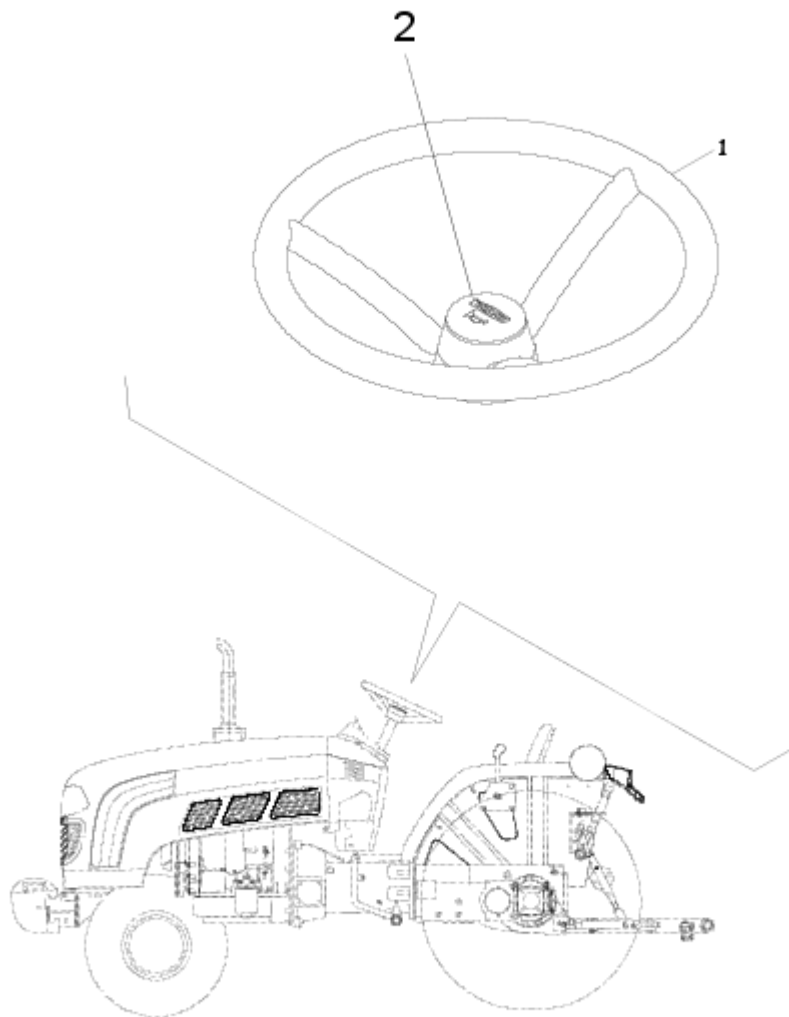
TE250. 392C FINAL TRANSMISSION ASSEMBLY (RIGHT)



TE250. 392C FINAL TRANSMISSION ASSEMBLY (RIGHT)

No.	Part No.	Description	Version	QTY.	Remark
1	GBT5783-M10X25-8.8-A3L	HEXAGON BOLT		4	
2	GBT93-10-A0P	STANDARD SPRING WASHER		4	
3	GBT6171-M12X1.25-10-A2L	HEXAGON NUT, TYPE-1		8	
4	GBT93-12-A0P	STANDARD SPRING WASHER		8	
5	TE250.392C-01	RIGHT HALF SHAFT SLEEVE		1	
6	GBT899-AM12-M12X1.25X35-10.9-A 3L	DOUBLE END STUDS		8	
7	GBT5783-M16X35-8.8-A3L	HEXAGON BOLT		1	
8	GBT93-16-A0P	STANDARD SPRING WASHER		1	
9	FT250.37.216	RETAINER RING		1	
10	FT250.37.214	DRIVING SHAFT BEARING COVER		1	
11	GBT9877.1-FB50X72X8D	SEAL RING		3	
12	GBT276-6210	DEEP GROOVE BALL BEARING		1	
13	JBT7940.1-M10X1	STRAIGHT FORCED FILLING OIL CUP		1	
14	FT250.37.215	FLAT KEY		1	
15	GBT3452.1-112X3.55G	O-RING		1	
16	FT250.37.242	OIL SEAL SPACER RING		1	
17	GBT9877.1-FB55X75X8D	SEAL RING		1	
18	FT250.37B.212	DRIVING SHAFT		1	
19	FT250.37.218	BEARING RETAINER RING		1	
20	GBT276-6211	DEEP GROOVE BALL BEARING		1	
21	GBT893.1-100	RETAINER RING		1	

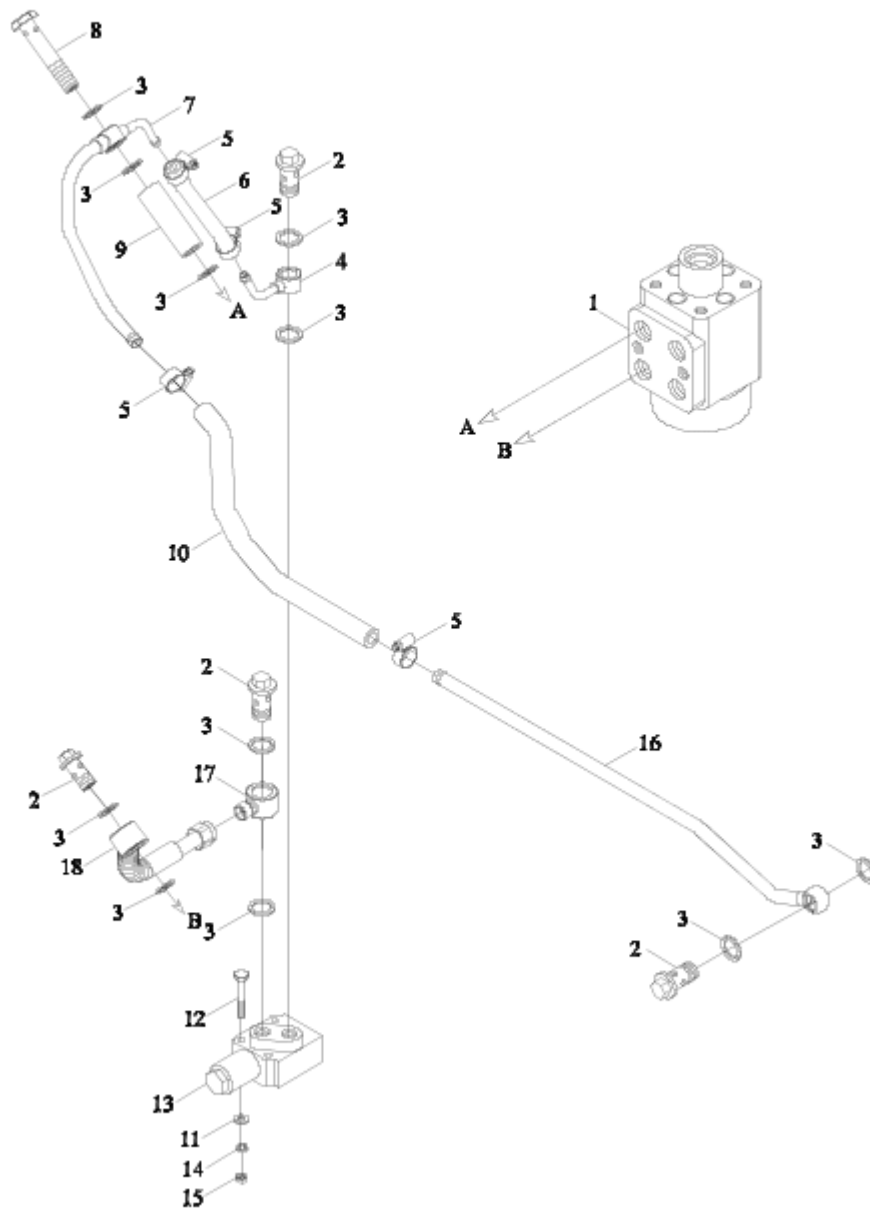
TE250. 401A STEERING WHEEL ASSEMBLY



TE250. 401A STEERING WHEEL ASSEMBLY

No.	Part No.	Description	Version	QTY.	Remark
1	TE250.401A	STEERING WHEEL ASSEMBLY		1	
2	TE250.401A.1	COVER OF STEERING WHEEL		1	

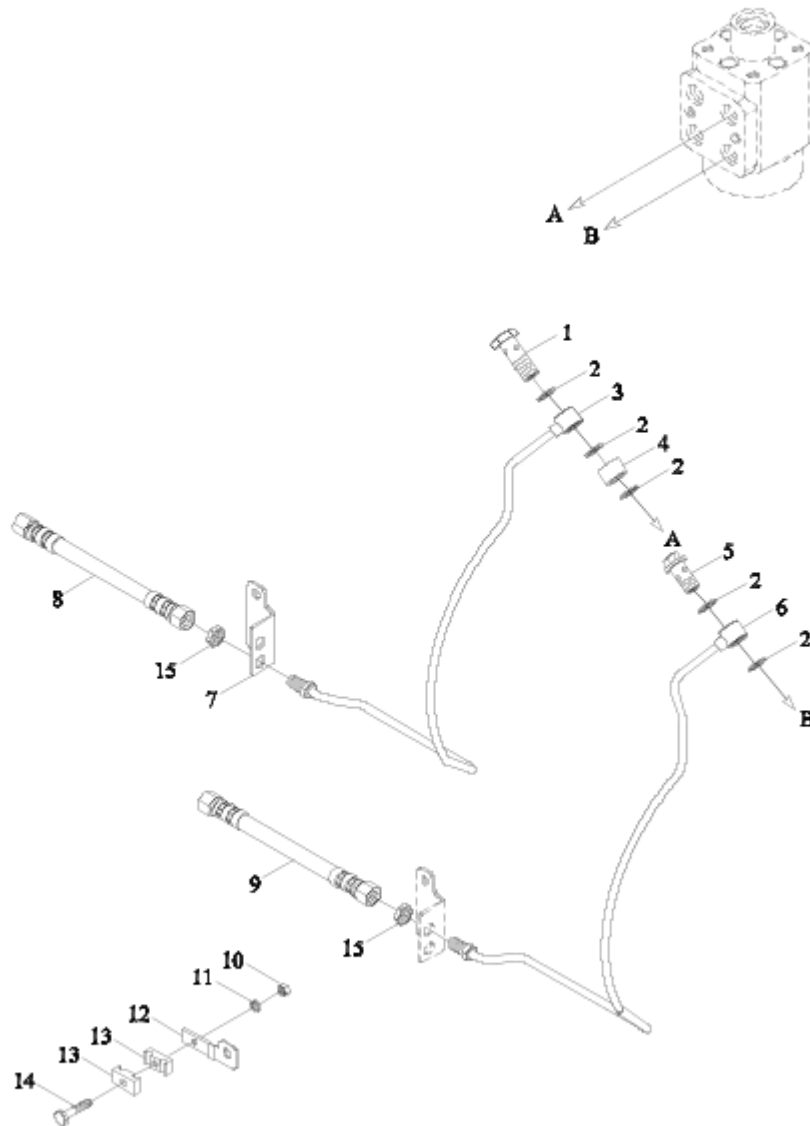
TE254. 402F STEERING PIPE ASSEMBLY-1



TE254. 402F STEERING PIPE ASSEMBLY-1

No.	Part No.	Description	Version	QTY.	Remark
1	FT254.40.028	HYDRAULIC STEERING MECHANISM ASSEMBLY		1	
2	FT254.40.102	HOLLOW BOLT		3	
3	JBT982-20	COMBINED SEAL GASKET		9	
4	TE254.402F.2	OIL RETURN SHORT PIPE WELDMENT		1	
5	Q67627	B-TYPE WORM TRANSMISSION HOSE CLAMP		4	
6	TE254.402C-01	OIL RETURN RUBBER HOSE		1	
7	TE254.402F.3	REDIRECTOR OIL RETURN PIPE WELDMENT		1	
8	FT250.40A.106	HOLLOW BOLT		1	
9	FT250.40A.105	CONNECTING TUBE		1	
10	TE254.402F-03	OIL RETURN HOSE		1	
11	GBT96.1-8-A0P	BIG WASHER		3	
12	GBT5782-M8X55-8.8-A2L	HEXAGON BOLT		3	
13	FT254.40.030	SINGLE-WAY STABILIZER DIVERTER VALVE		1	
14	GBT93-8-A0P	STANDARD SPRING WASHER		3	
15	GBT6170-M8-8-A2L	HEXAGON NUT, TYPE-1		3	
16	TE254.402F.4	OIL RETURN LONG PIPE WELDMENT		1	
17	TE254.402F-04	CONNECTING JOINT		1	
18	TE254.402F.1a	OIL INLET PIPE OF REDIRECTOR		1	

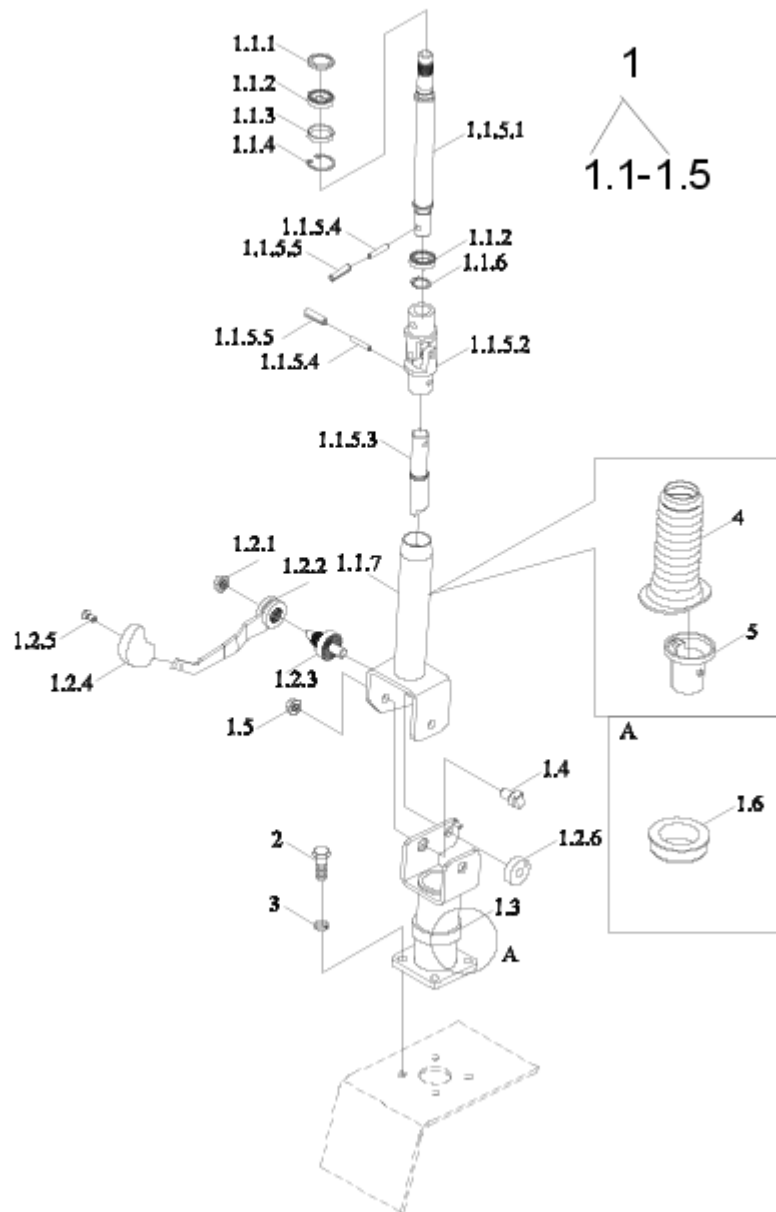
TE254. 402F STEERING PIPE ASSEMBLY-2



TE254. 402F STEERING PIPE ASSEMBLY-2

No.	Part No.	Description	Ver- sion	QTY.	Remark
1	TH354.402-02	HOLLOW BOLT M20X1.5		1	
2	JBT982-20	COMBINED SEAL GASKET		5	
3	TE254.402F.5a	REDIRECTOR LEFT OIL OUTLET PIPE WELDMENT		1	
4	TH354.402-03	SPACER BUSH		1	
5	FT254.40.102	HOLLOW BOLT		1	
6	TE254.402F.6a	REDIRECTOR RIGHT OIL OUTLET PIPE WELDMENT		1	
7	TE254.402F-01	OIL PIPE BRACKET1		1	
8	TE254.402F.8a	HIGH PRESSURE OIL HOSE ASSEMBLY 2		1	
9	TE250.402C.4	OIL CYLINDER HOSE ASSEMBLY		1	
10	GBT6170-M8-8-A2L	HEXAGON NUT, TYPE-1		1	
11	GBT93-8-A0P	STANDARD SPRING WASHER		1	
12	TE254.402F-02	OIL PIPE BRACKET2		1	
13	FT354.40C.121	DOUBLE PIPE CLAMP		2	
14	GBT5782-M8X40-8.8-A2L	HEXAGON BOLT		1	
15	GBT6173-M16X1.5-05-A3L	HEXAGON THIN NUT		2	

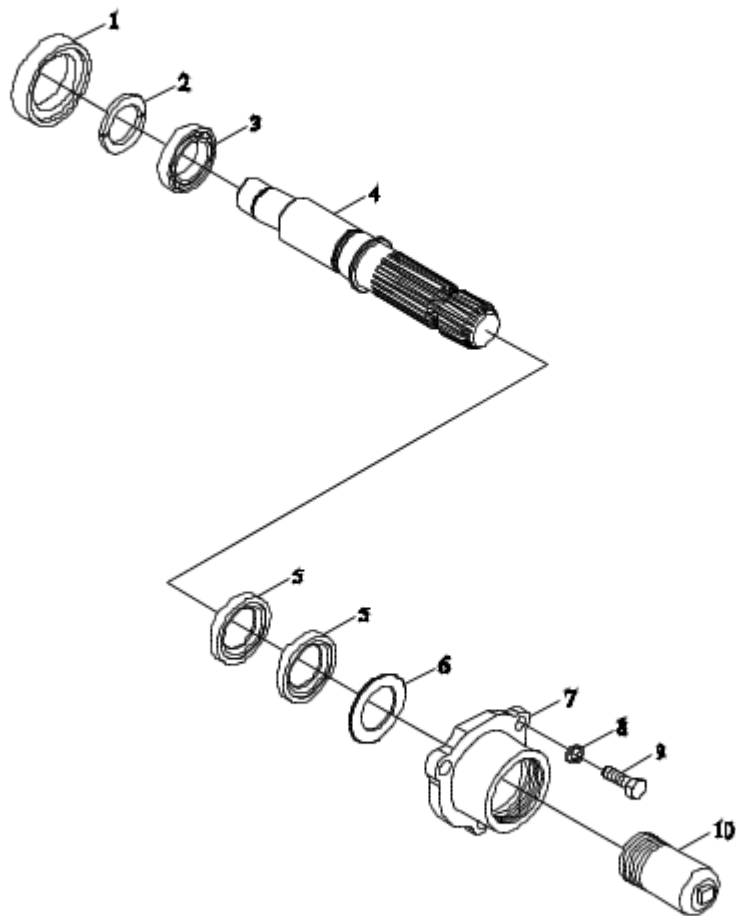
TL01403020000K ADJUSTING STEERING COLUMN INSTALLATION ASSEMBLY



TL01403020000K ADJUSTING STEERING COLUMN INSTALLATION ASSEMBLY

No.	Part No.	Description	Version	QTY.	Remark
1	TL01401010001K	ADJUSTING STEERING COLUMN ASSEMBLY		1	
2	GBT5783-M10X30-8.8-A3L	HEXAGON BOLT		4	
3	GBT93-10-A0P	STANDARD SPRING WASHER		4	
4	TE254.403B-01	STEERING ROD SLEEVE		1	
5	TC07401010001K	HORN BRUSH SEAT ASSEMBLY		1	

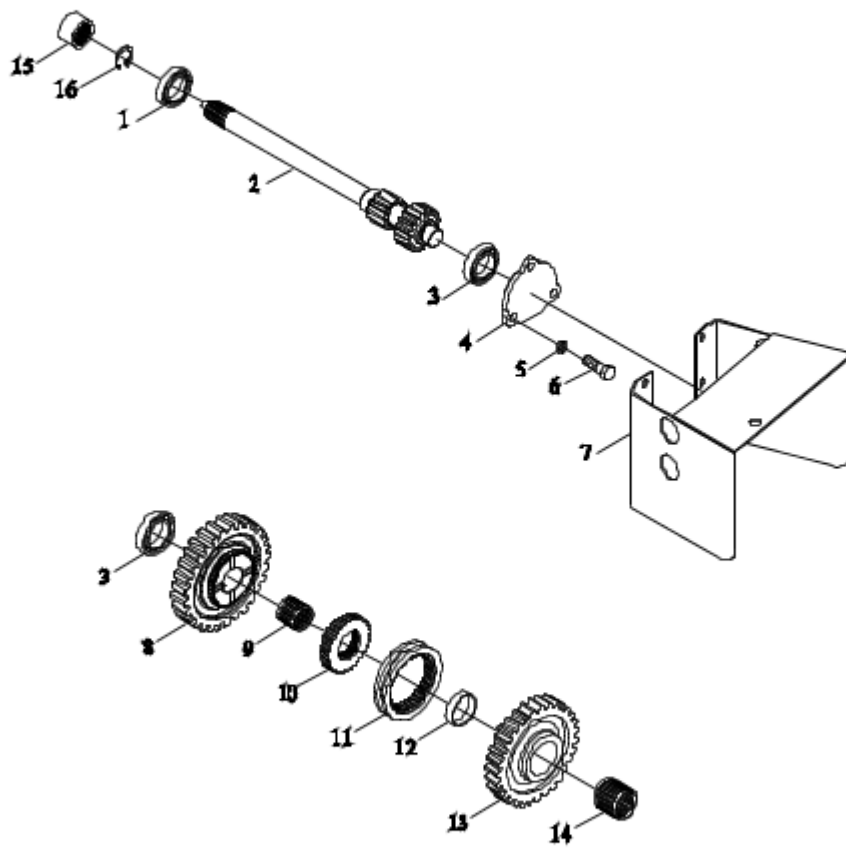
TE250. 411B PTO SHAFT ASSEMBLY



TE250. 411B PTO SHAFT ASSEMBLY

No.	Part No.	Description	Version	QTY.	Remark
1	TE250.411B-02	THRUST WASHER RETAINER RING		1	
2	FT250.41.131	THRUST RING		1	
3	GBT276-6207	DEEP GROOVE BALL BEARING		1	
4	TE250.411B-01	PTO SHAFT		1	
5	GBT9877.1-FB35X55X8D	SEAL RING		2	
6	FT250.41.133	WASHER		1	
7	FT250.41.104	PTO SHAFT BEARING COVER		1	
8	GBT93-10-A0P	STANDARD SPRING WASHER		3	
9	GBT5783-M10X25-8.8-A3L	HEXAGON BOLT		3	
10	TB550.412-02	PTO SHAFT HOOD SHIELD		1	

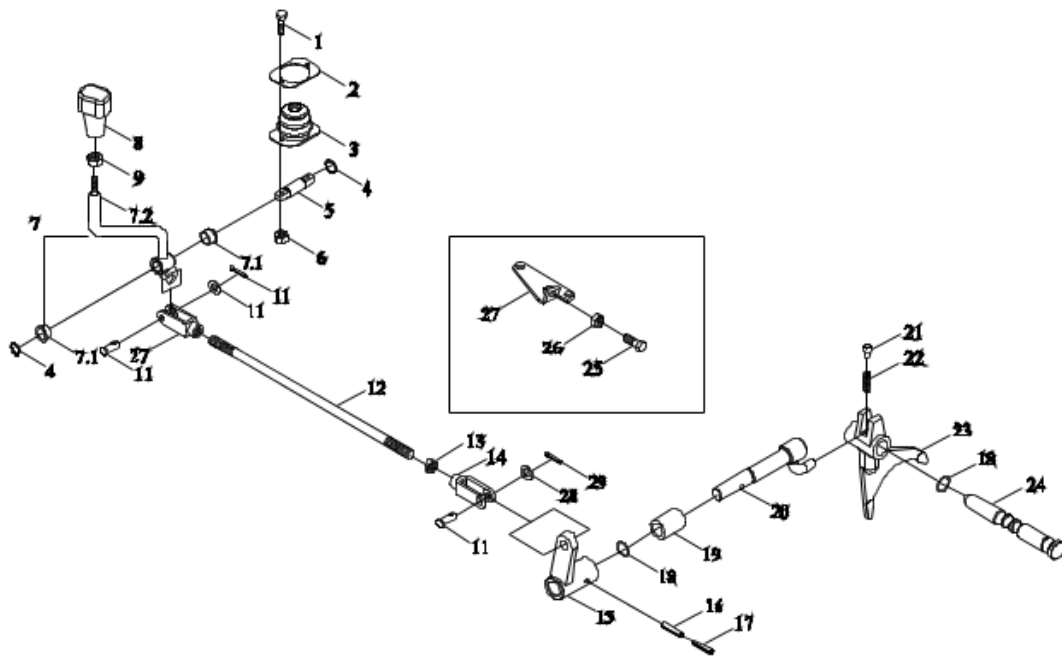
TE250. 412E PTO GEAR ASSEMBLY



TE250. 412E PTO GEAR ASSEMBLY

No.	Part No.	Description	Version	QTY.	Remark
1	GBT276-6206	DEEP GROOVE BALL BEARING		1	
2	TE250.412C-01	PTO TRANSMISSION SHAFT		1	
3	GBT276-6305	DEEP GROOVE BALL BEARING		2	
4	FT250.41.103	TRANSMISSION SHAFT BEARING COVER		1	
5	GBT93-10-A0P	STANDARD SPRING WASHER		3	
6	GBT5783-M10X25-8.8-A3L	HEXAGON BOLT		3	
7	TE250.412D.1	PTO BONNET WELDMENT		1	
8	TE250.412B-02	PTO DRIVEN GEAR		1	
9	TE250.412B-07	ROLLER NEEDLE BEARING		1	
10	TE250.412B-06	PTO MESHING SEAT		1	
11	TE250.412B-03	PTO SHIFT COLLAR		1	
12	TE250.412B-04	SPACER BUSH		1	
13	TE250.412C-02	PTO DRIVEN GEAR		1	
14	JBT7918-K35X40X27	NEEDLE AND CARRIER COMBINATION		1	
15	FT300.37.136	CONNECTING SLEEVE		1	
16	GBT893.1-21	CIRCLIPS FOR HOLE		1	

TE250. 413D PTO CONTROL MECHANISM ASSEMBLY



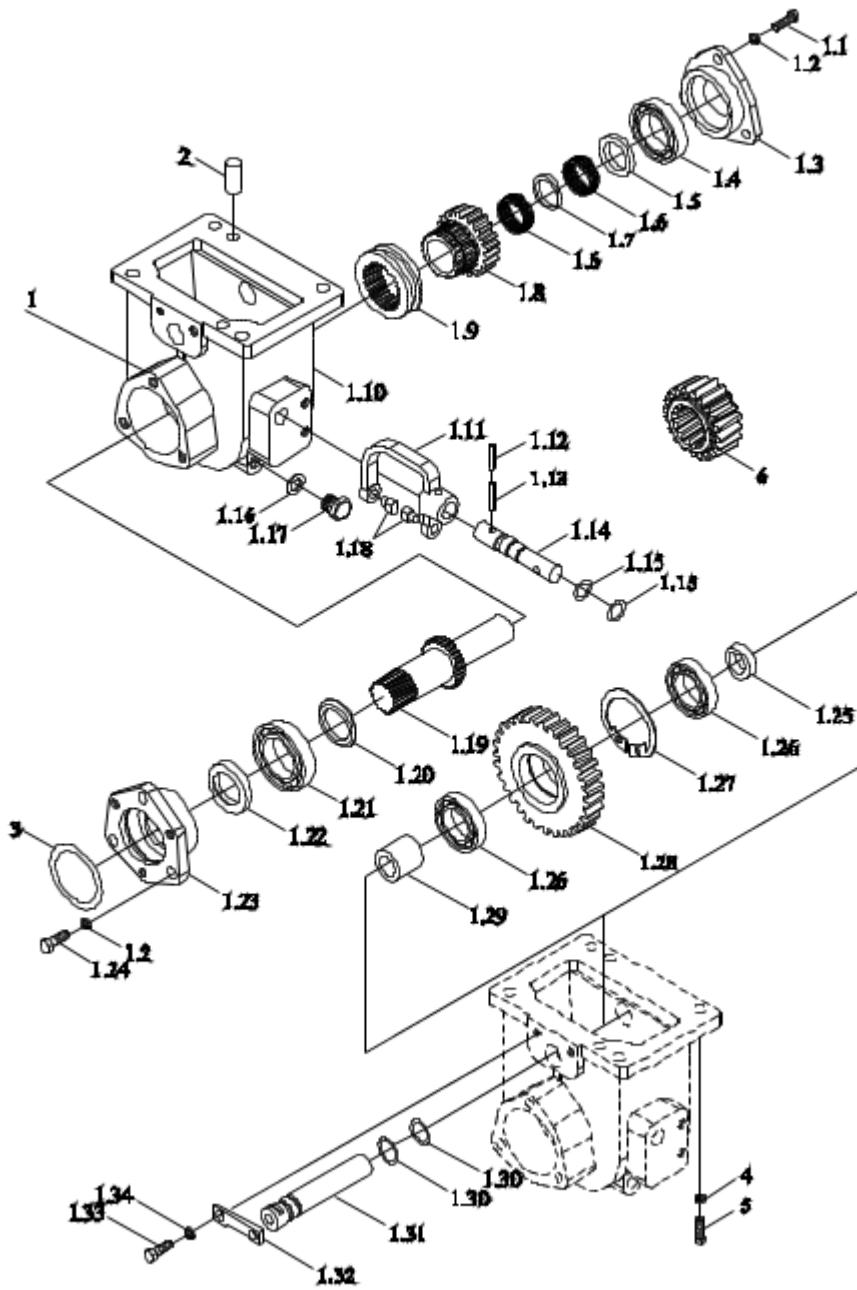
TE250. 413D PTO CONTROL MECHANISM ASSEMBLY

No.	Part No.	Description	Version	QTY.	Remark
1	GBT5783-M8X30-8.8-A2L	HEXAGON BOLT		2	
2	TE250.413D-07	PRESSURE PLATE		1	
3	TE250.413D-03	DUSTPROOF SLEEVE		1	
4	GBT894.1-18	CIRCLIP FOR SHAFT		2	
5	TE250.413D-04	FIXING SHAFT		1	
6	GBT6170-M8-8-A2L	HEXAGON NUT, TYPE-1		2	
7	TE250.413D.2	CONTROL ROD PRESSURE UNIT		1	
7.1	TE250.413D.2-01	NYLON SLEEVE		2	
7.2	TE250.413D.2.1	CONTROL ROD WELDMENT		1	
8	TE300.413A.1	PTO GEARSHIFT HANDLE		1	
9	GBT6170-M10-8-A3L	HEXAGON NUT, TYPE-1		1	
10	FT800A.43B.119	LEFT REVOLVING PULL ROD FORK		1	
11	GBT882-B10X30-A0P	PIN SHAFT		2	
12	TE250.413D-01	MIDDLE PULL ROD		1	
13	GBT6172.1-M10-04-A3L	HEXAGON THIN NUT		1	
14	FT800A.43B.116	RIGHT REVOLVING PULL ROD FORK		1	
15	TE250.413D.4	ROCKER WELDMENT		1	
16	GBT879.1-6X26	SPRING COLUMN PIN		1	
17	GBT879.1-3.5X26	SPRING COLUMN PIN		1	
18	GBT3452.1-11.8X1.80G	RUBBER O-SEAL RING		2	
19	TE300.413-04	SPACER BUSH		1	
20	TE250.413D.3	GEARSHIFT DIAL ROD WELDMENT		1	
21	TE250.413D-05	GEARSHIFT SHAFT LOCK PIN		1	
22	FT250.37.148	LOCKING SPRING OF FORK SHAFT		1	
23	TE250.413D-02	FORK		1	
24	TE250.413D-06	GEARSHIFT FORK SHAFT		1	
25	GBT5783-M8X45-8.8-A2L	HEXAGON BOLT		1	
26	GBT6172.1-M8-04-A2L	HEXAGON THIN NUT		1	
27	TE250.413D.1	LIMITING PLATE WELDMENT		1	

TE250. 413D PTO CONTROL MECHANISM ASSEMBLY (cont'd.)

No.	Part No.	Description	Version	QTY.	Remark
28	GBT91-3.2X20-A0P	SPLIT PIN		2	
29	GBT97.1-10-A0P	FLAT WASHER		2	

TE254. 421B TRANSFER CASE ASSEMBLY



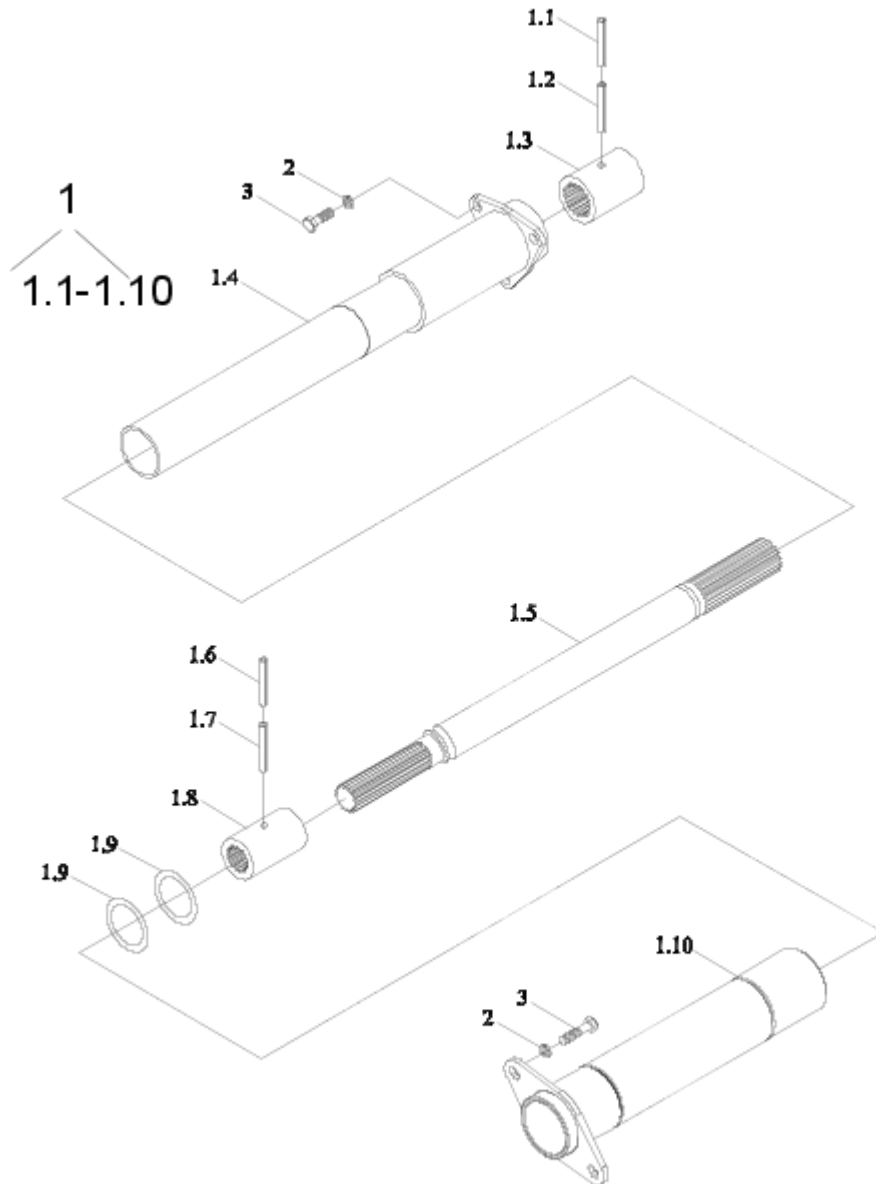
TE254. 421B TRANSFER CASE ASSEMBLY

No.	Part No.	Description	Version	QTY.	Remark
1	TE254.421B.1	TRANSFER CASE HOUSING ASSEMBLY		1	
1.1	GBT5783-M10X20-8.8-A3L	HEXAGON BOLT		5	
1.2	GBT93-10-A0P	STANDARD SPRING WASHER		8	
1.3	TE254.421A.1-04	REAR BEARING COVER		1	
1.4	GBT276-6305	DEEP GROOVE BALL BEARING		1	
1.5	FT254.42.107	OUTPUT SHAFT REAR THRUST RING		1	
1.6	JBT7918-K25X31X20	NEEDLE AND CARRIER COMBINATION		2	
1.7	FT254.42.108	OUTPUT SHAFT ROLLING BEARING SPACER BUSH		1	
1.8	TE254.421B.1-01a	TRANSFER CASE DRIVEN GEAR		1	
1.9	FT254.42F.103	SHIFT COLLAR		1	
1.10	TE254.421A.1-01	TRANSFER CASE HOUSING		1	
1.11	TE254.421A.1-02	TRANSFER CASE FORK		1	
1.12	GBT879.1-6X24	SPRING COLUMN PIN		1	
1.13	GBT879.1-4X24	SPRING COLUMN PIN		1	
1.14	TE254.421A.1-03	TRANSFER CASE FORK SHAFT		1	
1.15	GBT3452.1-12.5X1.80G	RUBBER O-SEAL RING		2	
1.16	JBT982-12	COMBINED SEAL GASKET		1	
1.17	Q617B12	HEXAGON PLUG		1	
1.18	FT254.42.121	TRANSFER CASE FORK HEAD		2	
1.19	FT254.42.102	OUTPUT SHAFT		1	
1.20	FT254.42.109	OUTPUT SHAFT FRONT THRUST RING		1	
1.21	GBT276-6206	DEEP GROOVE BALL BEARING		1	
1.22	TE254.421.1.1	OIL SEAL		1	
1.23	TE254.421A.1-09	FRONT BEARING COVER		1	
1.24	GBT5783-M10X30-8.8-A3L	HEXAGON BOLT		3	
1.25	TE254.421A.1-10	MIDDLE SHAFT SMALL THRUST RING		1	
1.26	GBT276-6204	DEEP GROOVE BALL BEARING		2	

TE254. 421B TRANSFER CASE ASSEMBLY (cont'd.)

No.	Part No.	Description	Version	QTY.	Remark
1.27	GBT893.1-47	CIRCLIPS FOR HOLE		1	
1.28	TE254.421B.1-02	TRANSFER CASE MIDDLE GEAR		1	
1.29	TE254.421A.1-11	MIDDLE SHAFT BIG THRUST RING		1	
1.30	GBT3452.1-15.0X2.65G	RUBBER O-SEAL RING		2	
1.31	TE254.421A.1-05	MIDDLE SHAFT		1	
1.32	TE254.421A.1-07	MIDDLE SHAFT LOCATING PLATE		1	
1.33	GBT5783-M8X20-8.8-A2L	HEXAGON BOLT		2	
1.34	GBT93-8-A0P	STANDARD SPRING WASHER		2	
2	GBT119.1-10m6X18-A0P	PIN		2	
3	GBT3452.1-53.0X2.65G	O-RING		1	
4	GBT93-10-A0P	SPRING WASHER		4	
5	GBT5783-M10X30-10.9-A3L	BOLT		4	
6	TE300.361-01	FRONT DRIVING GEAR		1	

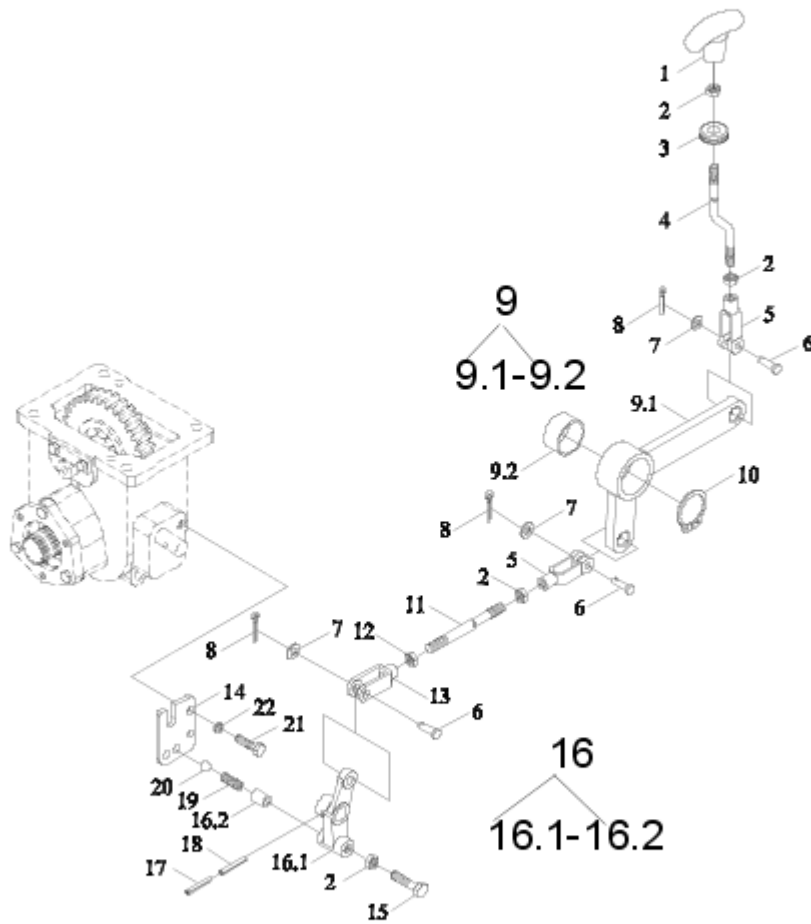
TE254. 422A TRANSFER CASE TRANSMISSION SHAFT ASSEMBLY



TE254. 422A TRANSFER CASE TRANSMISSION SHAFT ASSEMBLY

No.	Part No.	Description	Version	QTY.	Remark
	TE254.422A	TRANSFERCASETRANS- MISSIONSHAFTASSEMBLY			
1	TE254.422A.1	TRANSFER CASE TRANS- MISSION SHAFT INSTALLATION		1	
1.1	GBT879.1-3.5X40	SPRING COLUMN PIN		1	
1.2	GBT879.1-6X40	SPRING COLUMN PIN		1	
1.3	FT254.42.113	SPLINE BUSH		1	
1.4	TE254.422A.1.2	REAR SLEEVE PIPE WELDMENT		1	
1.5	TE254.422A.1-02	TRANSFER CASE TRANS- MISSION SHAFT		1	
1.6	GBT879.1-3.5X35	SPRING COLUMN PIN		1	
1.7	GBT879.1-6X35	SPRING COLUMN PIN		1	
1.8	FT254.42F.120	FRONT SPLINE BUSH		1	
1.9	GBT3452.1-45.0X3.55G	O-RING 9.3X2.2-M12X1.5		1	
1.10	TE254.422A.1.1	FRONT SLEEVE PIPE WELDMENT		1	
2	GBT93-8-A0P	SPRING WASHER		5	
3	GBT5783-M8X16-8.8-A2L	BOLT		5	

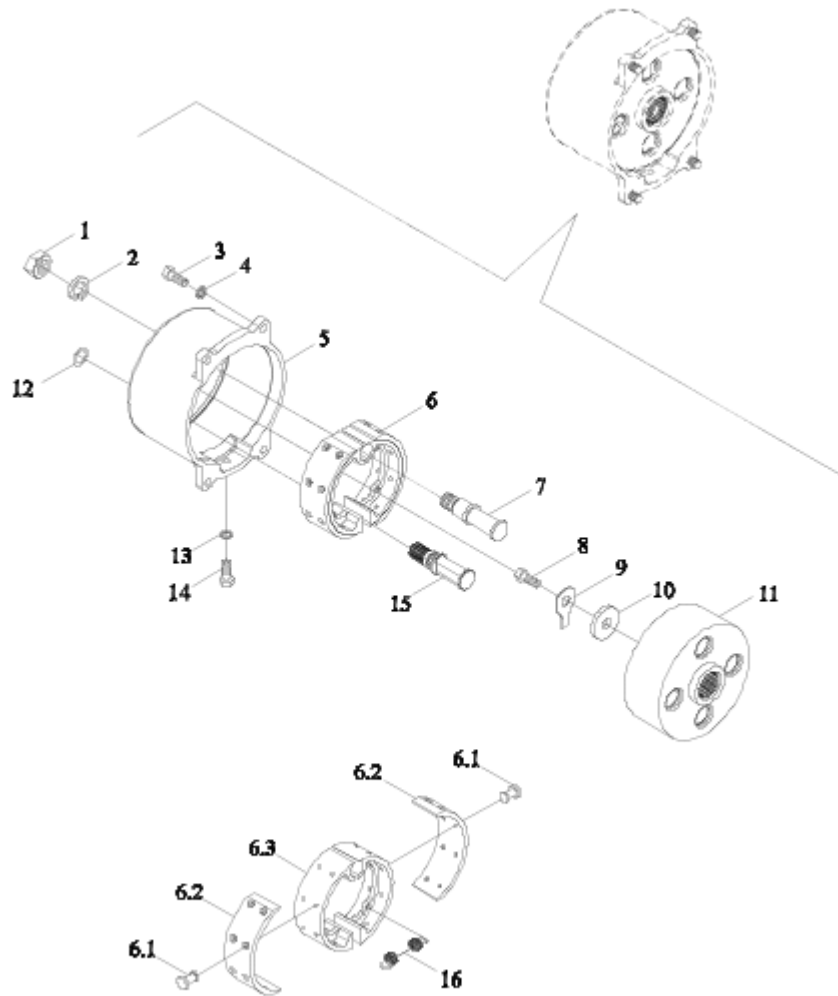
TE254. 423C TRANSFER CASE CONTROL ASSEMBLY



TE254. 423C TRANSFER CASE CONTROL ASSEMBLY

No.	Part No.	Description	Version	QTY.	Remark
1	FT65.38.051	PULL/PRESS HANDLE		1	
2	GBT6170-M10-8-A3L	NUT		4	
3	TE254.423A-01	THROUGH HARNESS WASHER		1	
4	TE254.423C-01	CONTROL ROD		1	
5	FT300.43.108	PULL ROD FRONT FORK		2	
6	GBT882-B10X30-A0P	PIN SHAFT		3	
7	GBT97.1-10-A0P	FLAT WASHER		3	
8	GBT91-3.2X20-A0P	SPLIT PIN		3	
9	TE254.423C.1	MIDDLE ROCKER UNIT		1	
9.1	TE254.423C.1.1	MIDDLE ROCKER WELDMENT		1	
9.2	TE254.423C.1-01	MIDDLE ROCKER BUSH		1	
10	GBT894.1-20	CIRCLIPS FOR SHAFT		1	
11	TE254.423C-02	MIDDLE PULL ROD		1	
12	GBT6170-M10-LH-8-A3L	NUT		1	
13	FT800A.43B.119	LEFT REVOLVING PULL ROD FORK		1	
14	TE254.423A-05	LOCATING PLATE		1	
15	GBT5783-M10X25-8.8-A3L	BOLT		1	
16	TE254.423A.1	ROCKER UNIT		1	
16.1	TE254.423A.1-01	ROCKER		1	
16.2	FT304.42.135(J)	SLEEVE		1	
17	GBT879.1-3.5X24	PIN		1	
18	GBT879.1-6X24	PIN		1	
19	FT304.42.124	LOCATING SPRING		1	
20	GBT308-8-G100-b	STEEL BALL		1	
21	GBT5783-M8X20-8.8-A2L	BOLT		2	
22	GBT93-8-A0P	WASHER		2	

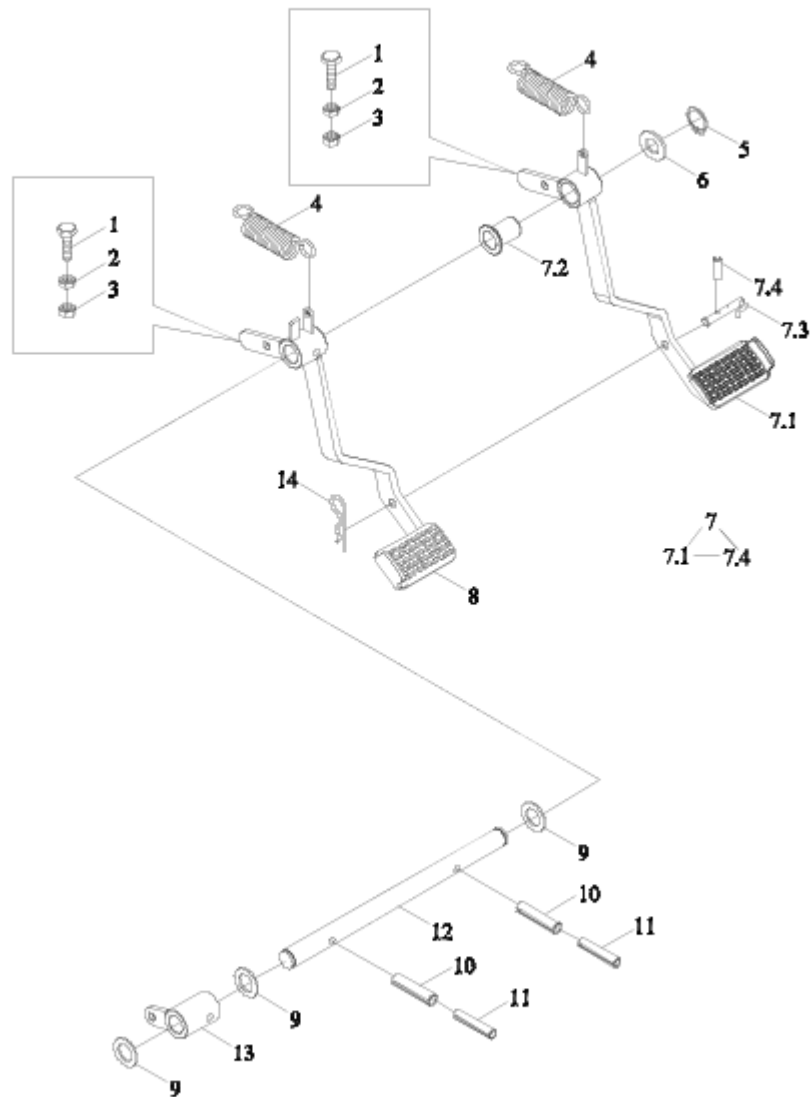
TE250. 431 BRAKE ASSEMBLY



TE250. 431 BRAKE ASSEMBLY

No.	Part No.	Description	Version	QTY.	Remark
1	GBT6170-M16-A3L	HEXAGON NUT, TYPE-1		1	
2	GBT93-16-A0P	STANDARD SPRING WASHER		1	
3	GBT5783-M8X25-A2L	HEXAGON BOLT		4	
4	GBT93-8-A0P	STANDARD SPRING WASHER		4	
5	FT250.43.121	BRAKE HOUSING		1	
6	FT250.43.012	BRAKE HOOF ASSEMBLY		1	
6.1	GBT109-4X13	RIVET		16	
6.2	FT250.43.129	BRAKE FRICTION PLATE		2	
6.3	FT250.43.128	BRAKE HOOF		1	
7	FT250.43.122	BRAKE HOOF PIN SHAFT		1	
8	GBT5783-M12X30-A3L	HEXAGON BOLT		1	
9	FT250.43.104a	STOPPING WASHER		1	
10	FT250.43.101	WASHER		1	
11	FT250.43.105	BRAKE DRUM		1	
12	GBT3452.1-15X2.65G	O-RING		1	
13	JBT982-8	COMBINED SEAL GASKET		1	
14	GBT5783-M8X16-A2L	HEXAGON BOLT		1	
15	FT250.43.124	BRAKE CAM		1	
16	FT250.43.123	RETURN SPRING		2	

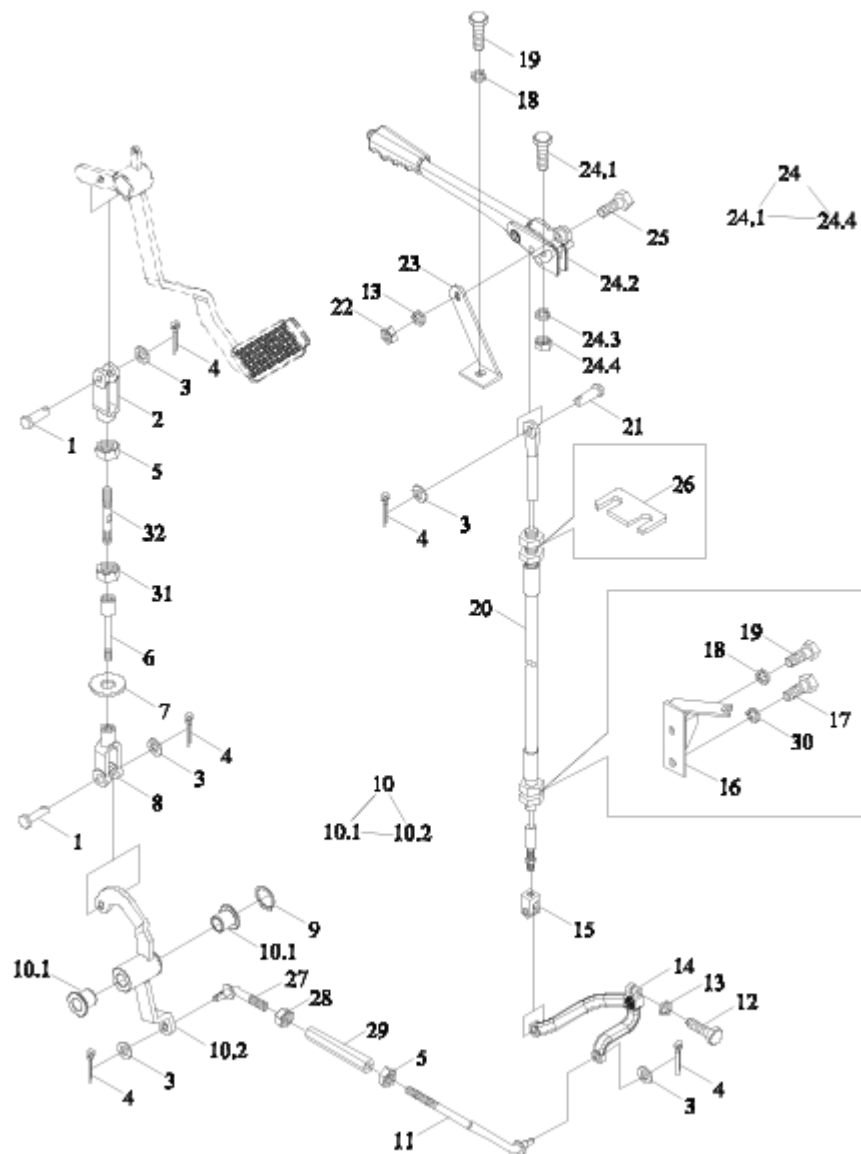
TE250. 433C BRAKE CONTROL ASSEMBLY-1



TE250. 433C BRAKE CONTROL ASSEMBLY-1

No.	Part No.	Description	Version	QTY.	Remark
1	GBT5783-M10X35-8.8-A3L	HEXAGON BOLT		2	
2	GBT6172.1-M10-04-A3L	HEXAGON THIN NUT		2	
3	GBT6170-M10-8-A3L	HEXAGON NUT, TYPE-1		2	
4	TE250.212D-05	CLUTCH PEDAL RETURN SPRING		2	
5	GBT894.1-25	CIRCLIP FOR SHAFT		1	
6	GBT97.1-24-A0P	FLAT WASHER		1	
7	TE250.433C.2	RIGHT BRAKE PEDAL ASSEMBLY		1	
7.1	TE250.433C.2.1	RIGHT BRAKE PEDAL WELDMENT		1	
7.2	TE250.433C.2-01	SLEEVE		1	
7.3	TE250.433C.2.2	BRAKE CONNECTING LOCK ROD WELDMENT		1	
7.4	GBT879.1-5X16	SPRING COLUMN PIN		1	
8	TE250.433C.1a	LEFT BRAKE PEDAL WELDMENT		1	
9	TE250.433C-02	WASHER		3	
10	GBT879.1-10X40	SPRING COLUMN PIN		2	
11	GBT879.1-6X40	SPRING COLUMN PIN		2	
12	TE250.433C-01	ROTARY SHAFT OF BRAKE		1	
13	TE250.433C.3	LEFT ROCKER WELDMENT		1	
14	FT800A.43.401	LOCK PIN		1	

TE250. 433C BRAKE CONTROL ASSEMBLY-2



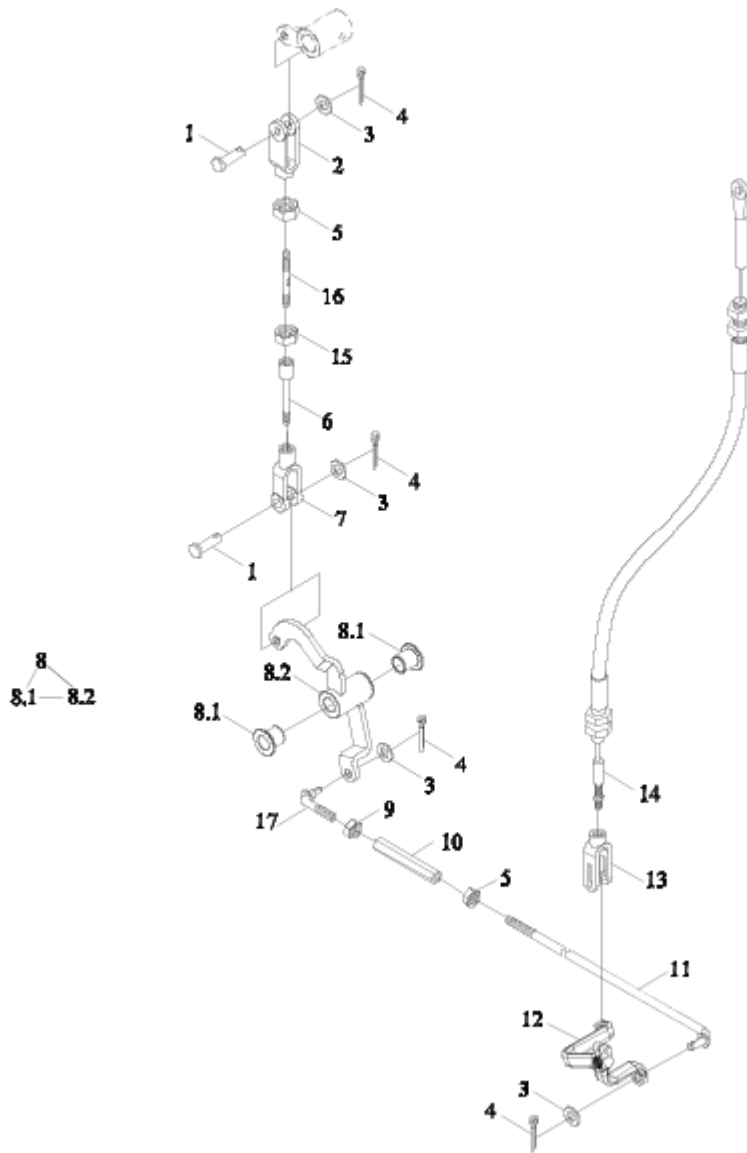
TE250. 433C BRAKE CONTROL ASSEMBLY-2

No.	Part No.	Description	Ver- sion	QTY.	Remark
1	GBT882-B10X30-A0P	PIN SHAFT		5	
2	FT300.43.110	PULL ROD REAR FORK		1	
3	GBT97.1-10-A0P	FLAT WASHER		6	
4	GBT91-3.2X22-A0P	SPLIT PIN		6	
5	GBT6170-M10-8-A3L	HEXAGON NUT, TYPE-1		2	
6	TE250.433C.17	BRAKE SHORT PULL ROD WELDMENT		1	
7	TE250.433C-08	RUBBER SEALING PLATE		1	
8	FT300.43.108	PULL ROD FRONT FORK		1	
9	GBT894.1-20	CIRCLIP FOR SHAFT		1	
10	TE250.433C.5	RIGHT LOWER ROCKER ASSEMBLY		1	
10.1	TE250.433C.4-01	SLEEVE		2	
10.2	TE250.433C.5.1	RIGHT LOWER ROCKER WELDMENT		1	
11	TE250.433C.11	BRAKE LONG PULL ROD WELDMENT		1	
12	GBT5783-M8X25-8.8-A2L	HEXAGON BOLT		2	
13	GBT93-8-A0P	STANDARD SPRING WASHER		3	
14	TE250.433C-03	RIGHT BRAKE ROCKER		1	
15	TE250.433C-11	CONNECTING FORK		1	
16	TE250.433C.10	RIGHT FIXING PLATE WELDMENT		1	
17	GBT5783-M12X25-8.8-A3L	HEXAGON BOLT		1	
18	GBT93-10-A0P	STANDARD SPRING WASHER		3	
19	GBT5783-M10X35-8.8-A3L	HEXAGON BOLT		3	
20	TE250.433C.8	RIGHT BRAKE PULL WIRE ASSEMBLY		1	
21	GBT882-B10X35-A0P	PIN SHAFT		1	
22	GBT6170-M8-8-A2L	HEXAGON NUT, TYPE-1		1	
23	TE250.433C.13	RATCHET WHEEL BRACK- ET WELDMENT		1	
24	TA820.213D.3	HAND BRAKE HANDLE ASSEMBLY		1	
24.1	GBT5783-M8X30-8.8-A2L	HEXAGON BOLT		2	
24.2	TA820.213D.3.1	HAND BRAKE HANDLE		1	

TE250. 433C BRAKE CONTROL ASSEMBLY-2 (cont'd.)

No.	Part No.	Description	Version	QTY.	Remark
24.3	GBT93-8-A0P	STANDARD SPRING WASHER		2	
24.4	GBT6170-M8-8-A2L	HEXAGON NUT, TYPE-1		2	
25	GBT5783-M8X35-8.8-A2L	HEXAGON BOLT		1	
26	TE250.433C-12	UPPER FIXING PLATE OF BRAKE PULL WIRE		1	
27	TE250.433C.14	BRAKE SHORT TIE ROD WELD (II)		1	
28	GBT6170-M10-LH-8-A3L	HEXAGON NUT, TYPE-1		1	
29	TE250.433C-09	CONNECTING ROD		1	
30	GBT93-12-A0P	STANDARD SPRING WASHER		1	
31	GBT6171-M10X1-8-A2L	HEXAGON NUT, TYPE-1		1	
32	TE250.433C-14	BRAKE UPPER CONNECTING ROD		1	

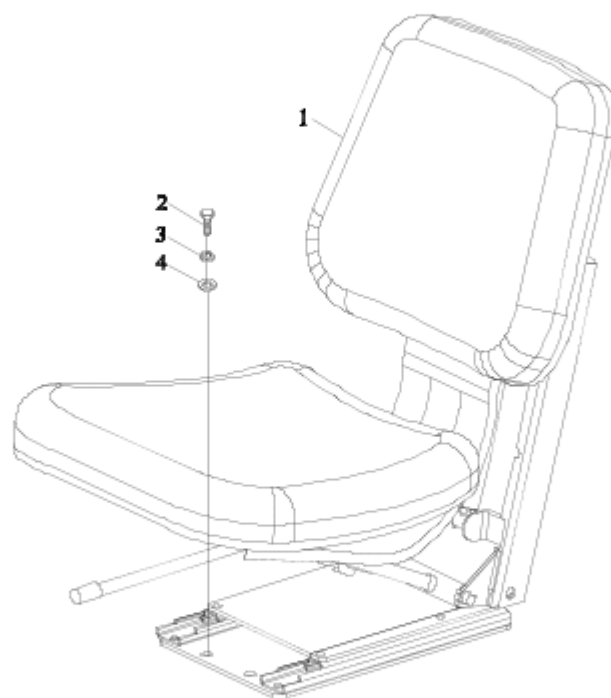
TE250. 433C BRAKE CONTROL ASSEMBLY-3



TE250. 433C BRAKE CONTROL ASSEMBLY-3

No.	Part No.	Description	Version	QTY.	Remark
1	GBT882-B10X30-A0P	PIN SHAFT		2	
2	FT300.43.110	PULL ROD REAR FORK		1	
3	GBT97.1-10-A0P	FLAT WASHER		4	
4	GBT91-3.2X22-A0P	SPLIT PIN		4	
5	GBT6170-M10-8-A3L	HEXAGON NUT, TYPE-1		2	
6	TE250.433C.17	BRAKE SHORT PULL ROD WELDMENT		1	
7	FT300.43.108	PULL ROD FRONT FORK		1	
8	TE250.433C.4	LEFT LOWER ROCKER ASSEMBLY		1	
8.1	TE250.433C.4-01	SLEEVE		2	
8.2	TE250.433C.4.1	LEFT LOWER ROCKER WELDMENT		1	
9	GBT6170-M10-LH-8-A3L	HEXAGON NUT, TYPE-1		1	
10	TE250.433C-09	CONNECTING ROD		1	
11	TE250.433C.11	BRAKE LONG PULL ROD WELDMENT		1	
12	TE250.433C-04	LEFT BRAKE ROCKER		1	
13	TE250.433C-11	CONNECTING FORK		1	
14	TE250.433C.12	LEFT BRAKE WIRE ASSEMBLY		1	
15	GBT6171-M10X1-8-A2L	HEXAGON NUT, TYPE-1		1	
16	TE250.433C-14	BRAKE UPPER CONNECTING ROD		1	
17	TE250.433C.14	BRAKE SHORT TIE ROD WELD (II)		1	

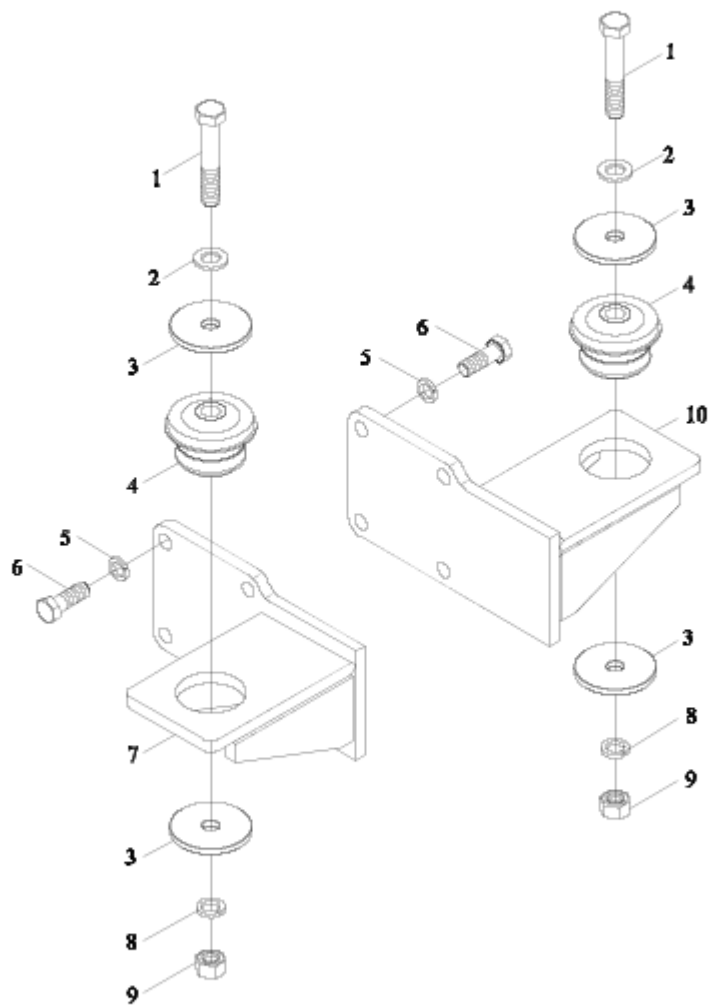
TE250. 44E SEAT INSTALLATION ASSEMBLY



TE250. 44E SEAT INSTALLATION ASSEMBLY

No.	Part No.	Description	Version	QTY.	Remark
1	TE250.44E.1	SEAT ASSEMBLY		1	
2	GBT5783-M8X25-8.8-A2L	HEXAGON BOLT		4	
3	GBT93-8-A0P	STANDARD SPRING WASHER		4	
4	GBT97.1-8-A0P	FLAT WASHER		4	

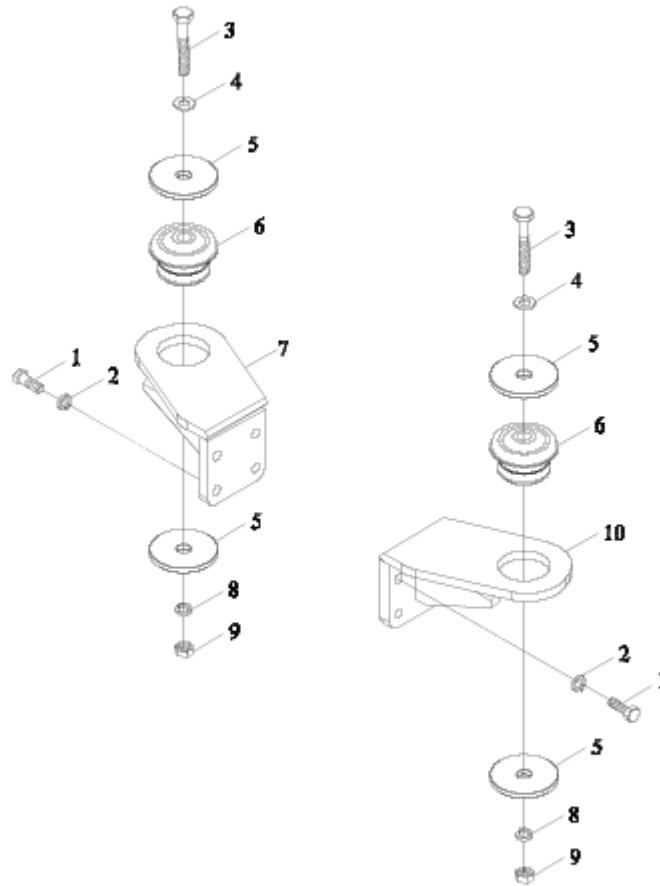
TE254. 457 FRONT CONNECTING ASSEMBLY



TE254. 457 FRONT CONNECTING ASSEMBLY

No.	Part No.	Description	Version	QTY.	Remark
1	GBT5783-M16X90-8.8-A2L	HEXAGON BOLT		2	
2	GBT97.1-16-A0P	FLAT WASHER		2	
3	TE254.457-01	RETAINER RING		4	
4	TE254.457.3	SHOCK ABSORBER		2	
5	GBT93-14-A0P	STANDARD SPRING WASHER		8	
6	GBT5783-M14X40-8.8-A3L	HEXAGON BOLT		8	
7	TE254.457.1	LEFT FRONT INSTALLATION BRACKET WELDMENT		1	
8	GBT93-16-A0P	STANDARD SPRING WASHER		2	
9	GBT6170-M16-8-A3L	HEXAGON NUT, TYPE-1		2	
10	TE254.457.2	RIGHT FRONT INSTALLATION BRACKET WELDMENT		1	

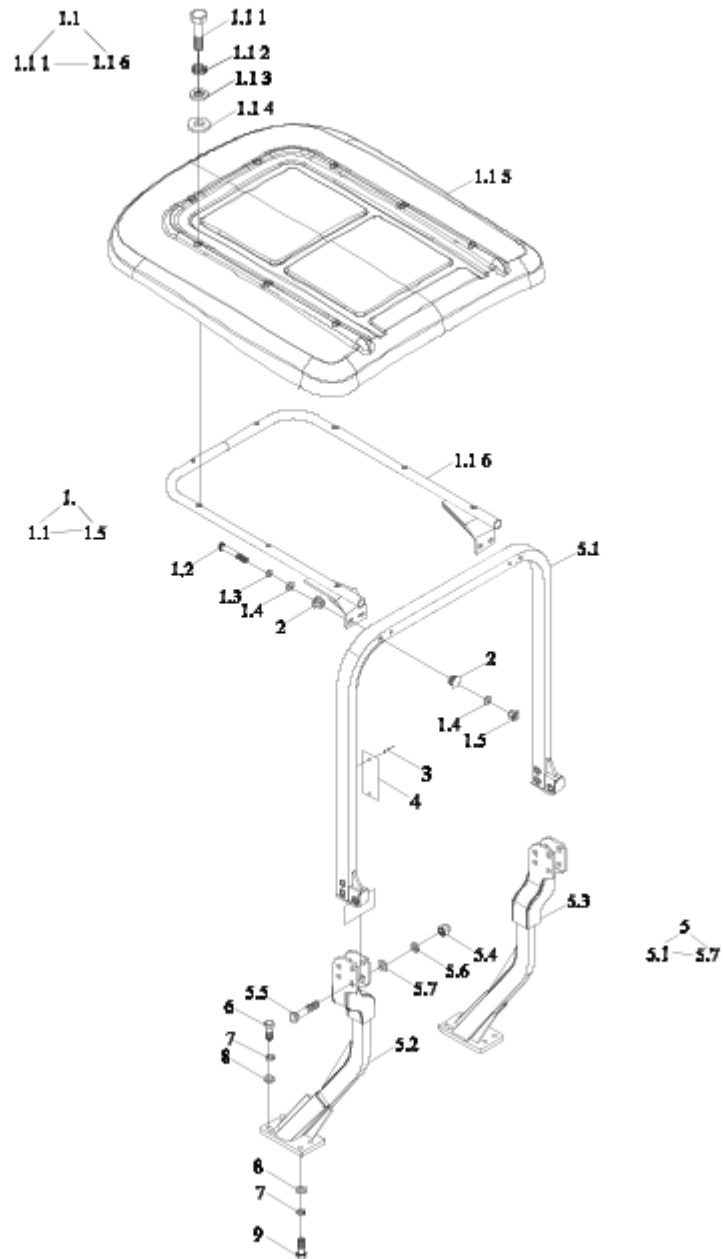
TE254. 458 REAR CONNECTING ASSEMBLY



TE254. 458 REAR CONNECTING ASSEMBLY

No.	Part No.	Description	Version	QTY.	Remark
1	GBT5783-M12X30-8.8-A3L	HEXAGON BOLT		8	
2	GBT93-12-A0P	STANDARD SPRING WASHER		8	
3	GBT5783-M16X90-A2L	HEXAGON BOLT		2	
4	GBT97.1-16-A0P	FLAT WASHER		2	
5	TE254.457-01	RETAINER RING		4	
6	TE254.457.3	SHOCK ABSORBER		2	
7	TE254.458.2	RIGHT REAR INSTALLA- TION BRACKET WELDMENT		1	
8	GBT93-16-A0P	STANDARD SPRING WASHER		2	
9	GBT6170-M16-A3L	HEXAGON NUT, TYPE-1		2	
10	TE254.458.1	LEFT REAR INSTALLATION BRACKET WELDMENT		1	

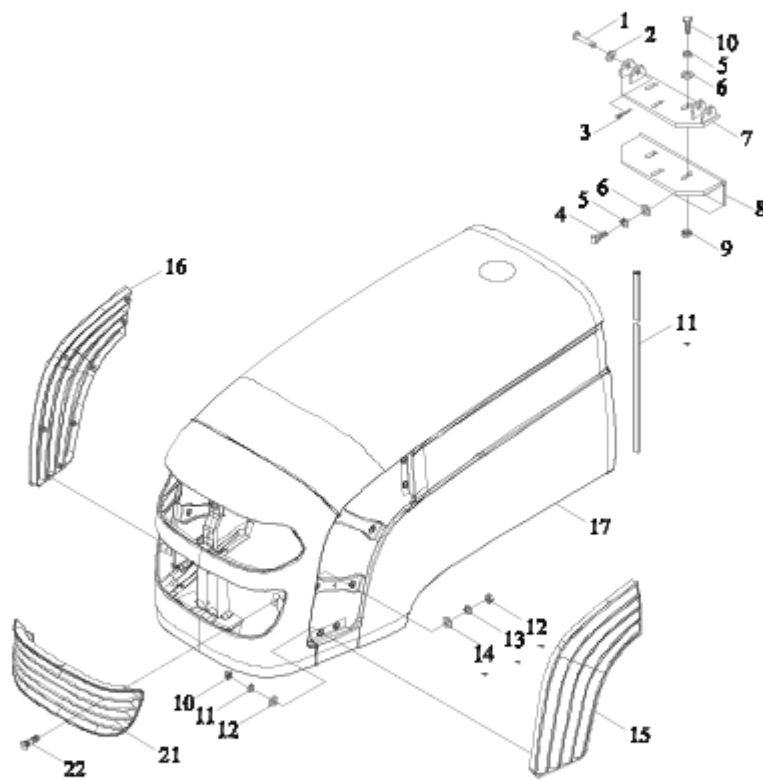
TE250. 46R SAFETY FRAME ASSEMBLY



TE250. 46R SAFETY FRAME ASSEMBLY

No.	Part No.	Description	Ver- sion	QTY.	Remark
1	TE254.46.2	SHADOW ASSEMBLY		1	
1.1	TE254.46.2.1	AWNING		1	
1.2	GBT5782-M12X90-8.8-A2L	HEXAGON BOLT		4	
1.3	GBT93-12-A0P	STANDARD SPRING WASHER		4	
1.4	GBT97.1-12-A0P	FLAT WASHER		8	
1.5	GBT6170-M12-8-A3L	HEXAGON NUT, TYPE-1		4	
1.11	GBT5783-M6X25-8.8-A2L	HEXAGON BOLT		8	
1.12	GBT93-6-A0P	STANDARD SPRING WASHER		8	
1.13	GBT97.1-6-A0P	FLAT WASHER		8	
1.14	TE254.46.2.1-02	RUBBER WASHER		8	
1.15	TE254.46.2.1-01	PLASTIC AWNINGS		1	
1.16	TE254.46.2.1.1	AWNINGS STENTS		1	
2	TB400.46C-01	PLUG COVER		8	
3	GBT12618-3X15	MUSHROOM HEAD RIVET		2	
4	TE250.46F-01	SIGN MARK OF SAFTY FRAME		1	
5	TE250.46R.1	SUPPORT BEAM INSTAL- LATION ASSEMBLY		1	
5.1	TE250.46R.1.1	UPPER SUPPORTING BEAM WELD		1	
5.2	TE250.46F.1.1	LEFT SUPPORTING BEAM WELDMENT		1	
5.3	TE250.46F.1.2	RIGHT SUPPORTING BEAM WELDMENT		1	
5.4	GBT802-M16-6	COMBINED COVER NUT		6	
5.5	GBT5782-M16X80-8.8-A3L	HEXAGON BOLT		6	
5.6	GBT93-16-A0P	STANDARD SPRING WASHER		6	
5.7	GBT95-16-A0P	FLAT WASHER		6	
6	GBT5783-M14X40-8.8-A3L	HEXAGON BOLT		4	
7	GBT93-14-A0P	STANDARD SPRING WASHER		8	
8	GBT97.1-14-A0P	FLAT WASHER		8	
9	GBT5783-M14X45-8.8-A3L	HEXAGON BOLT		4	

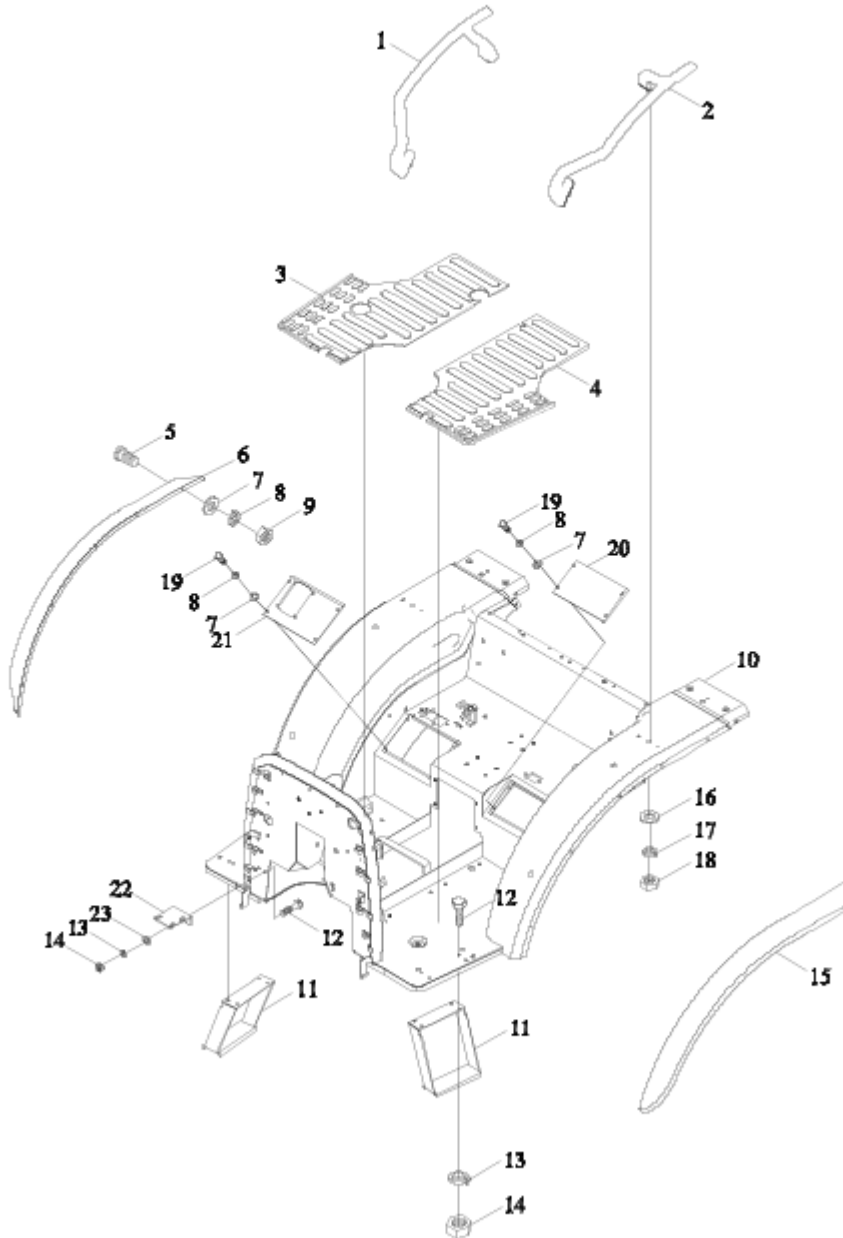
TE250. 471C BONNET INSTALLATION ASSEMBLY



TE250. 471C BONNET INSTALLATION ASSEMBLY

No.	Part No.	Description	Version	QTY.	Remark
1	GBT882-B12X50	PIN SHAFT		2	
2	GBT97.1-12-A0P	WASHER		2	
3	GBT91-4X20-A0P	PIN		2	
4	GBT5783-M10X30-8.8-A3L	BOLT		3	
5	GBT93-10-A0P	WASHER		6	
6	GBT97.1-10-A0P	WASHER		9	
7	TE250.471C.1	HINGE WELDMENT		1	
8	TE250.471C.2	FIXING BRACKET WELDMENT		1	
9	GBT6170-M10-8-A3L	NUT		3	
10	GBT5783-M10X35-8.8-A3L	BOLT		3	
11	FT250.47C.230	BONNET SEAL STRIP		1	
12	GBT6170-M6-8-A2L	NUT		3	
13	GBT93-6-A0P	WASHER		2	
14	GBT97.1-6-A0P	WASHER		2	
15	FT250B.47.302	LEFT FRONT GRID		1	
16	FT250B.47.303	RIGHT FRONT GRID		1	
17	TE250.471C.4	BONNET WELDMENT		1	
18	GBT97.1-5-A0P	WASHER		18	
19	GBT93-5-A0P	WASHER		18	
20	GBT6172.1-M5-A2L	HEXAGON THIN NUT		18	
21	FT250B.47.301	FRONT GRID		1	
22	GBT818-M6X16-4.8-A2L	CROSS SCREW		2	

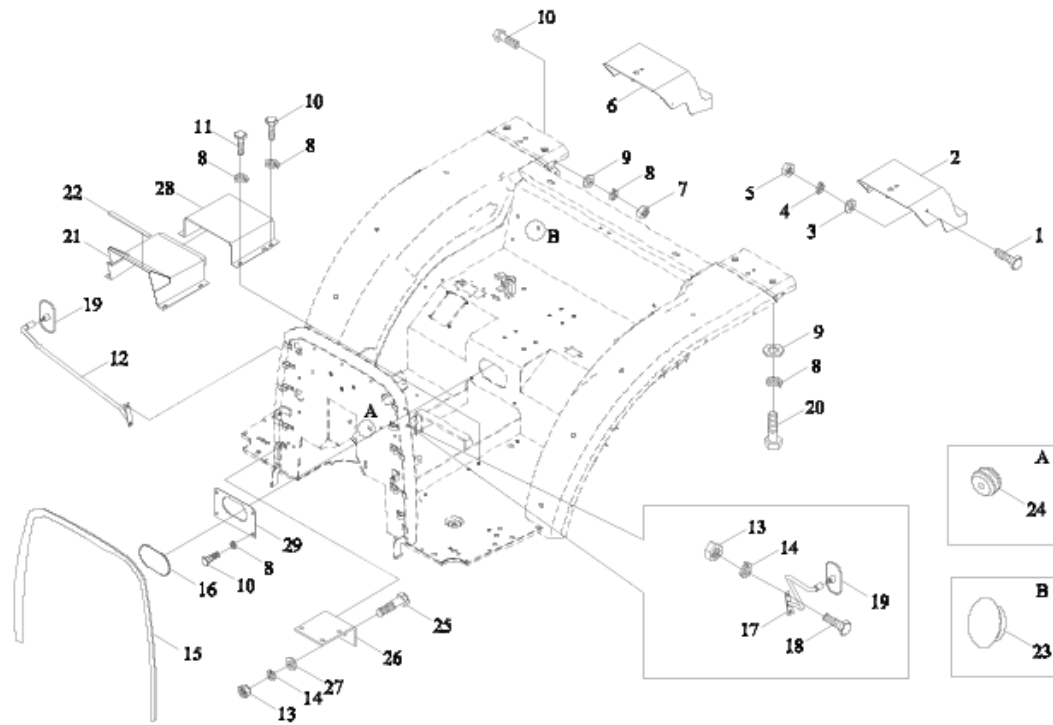
TE250. 472F FLOOR INSTALLATION ASSEMBLY-1



TE250.472F FLOOR INSTALLATION ASSEMBLY-1

No.	Part No.	Description	Version	QTY.	Remark
1	TE324.472-02	RIGHT HANDLE		1	
2	TE324.472-01	LEFT RAIL		1	
3	TE250.472F-03	RIGHT FLOOR MAT		1	
4	TE250.472F-02	LEFT FLOOR MAT		1	
5	GBT5783-M5X16-8.8-A2L	HEXAGON BOLT		10	
6	TE254.472-02	RIGHT MUD GUARD OUTER PART		1	
7	GBT97.1-5-A0P	FLAT WASHER		18	
8	GBT93-5-A0P	STANDARD SPRING WASHER		18	
9	GBT6170-M5-8-A2L	HEXAGON NUT, TYPE-1		10	
10	TE250.472F.1	FLOOR WELDMENT		1	
11	TE254.472.3	PEDAL WELDMENT		2	
12	GBT5783-M8X20-8.8-A2L	HEXAGON BOLT		8	
13	GBT93-8-A0P	STANDARD SPRING WASHER		8	
14	GBT6170-M8-8-A2L	HEXAGON NUT, TYPE-1		8	
15	TE254.472-01	LEFT MUD GUARD OUTER PART		1	
16	GBT96.1-16-A0P	BIG WASHER		4	
17	GBT93-16-A0P	STANDARD SPRING WASHER		4	
18	GBT6170-M16-8-A3L	HEXAGON NUT, TYPE-1		4	
19	GBT5783-M5X12-8.8-A2L	HEXAGON BOLT		4	
20	TE254.472-14	COVER PLATE		1	
21	TE254.472-13	CONTROL COVER PLATE		1	
22	TE250.472F-04	SINGLE STEADY VALVE BRACKET		1	
23	GBT97.1-8-A0P	FLAT WASHER		2	

TE250. 472F FLOOR INSTALLATION ASSEMBLY-2



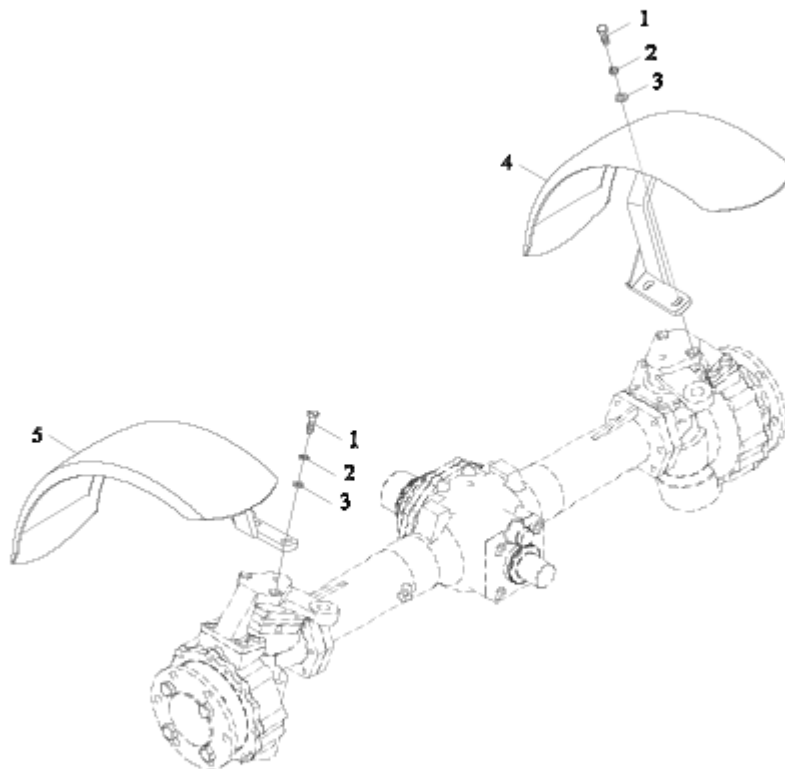
TE250. 472F FLOOR INSTALLATION ASSEMBLY-2

No.	Part No.	Description	Version	QTY.	Remark
1	GBT5783-M5X16-8.8-A2L	HEXAGON BOLT		4	
2	TE324.472.1-01	LEFT MUD GUARD REAR PART		1	
3	GBT97.1-5-A0P	FLAT WASHER		2	
4	GBT93-5-A0P	STANDARD SPRING WASHER		2	
5	GBT6170-M5-8-A2L	HEXAGON NUT, TYPE-1		2	
6	TE324.472.2-01	RIGHT MUD GUARD REAR PART		1	
7	GBT6170-M6-8-A2L	HEXAGON NUT, TYPE-1		2	
8	GBT93-6-A0P	STANDARD SPRING WASHER		10	
9	GBT97.1-6-A0P	FLAT WASHER		14	
10	GBT5783-M6X16-8.8-A2L	HEXAGON BOLT		14	
11	GBT5781-M6X16-4.8-A2L	HEXAGON BOLT		1	
12	TE250.472F.2	RIGHT BRACKET WELDMENT		1	
13	GBT6170-M8-8-A2L	HEXAGON NUT, TYPE-1		6	
14	GBT93-8-A0P	STANDARD SPRING WASHER		6	
15	TE250.472F-01	SEAL RUBBER STRIP		1	
16	TE254.472-10	REAR FLOOR COVER		1	
17	TE324.473.2	REARVIEW MIRROR BRACKET WELDMENT		1	
18	GBT5783-M8X50-8.8-A2L	HEXAGON BOLT		4	
19	TB400.456A.3	REARVIEW MIRROR ASSEMBLY		2	
20	GBT5783-M6X12-8.8-A2L	HEXAGON BOLT		8	
21	TE250.472F.3	UPPER COVER PLATE WELDMENT		1	
22	TE250.472F-05	SEAL STRIP		1	
23	TE250.472E-06	PLUG COVER		3	
24	TG1204.20A-02	THROUGH HARNESS WASHER		1	
25	GBT5783-M8X20-8.8-A2L	HEXAGON BOLT		2	
26	TE250.472F-04	SINGLE STEADY VALVE BRACKET		1	
27	GBT97.1-8-A0P	FLAT WASHER		2	

TE250.472F FLOOR INSTALLATION ASSEMBLY-2 (cont'd.)

No.	Part No.	Description	Version	QTY.	Remark
28	TE250.472F-06	REAR COVER PLATE		1	
29	TE250.472F-07	UPPER COVER PLATE		1	

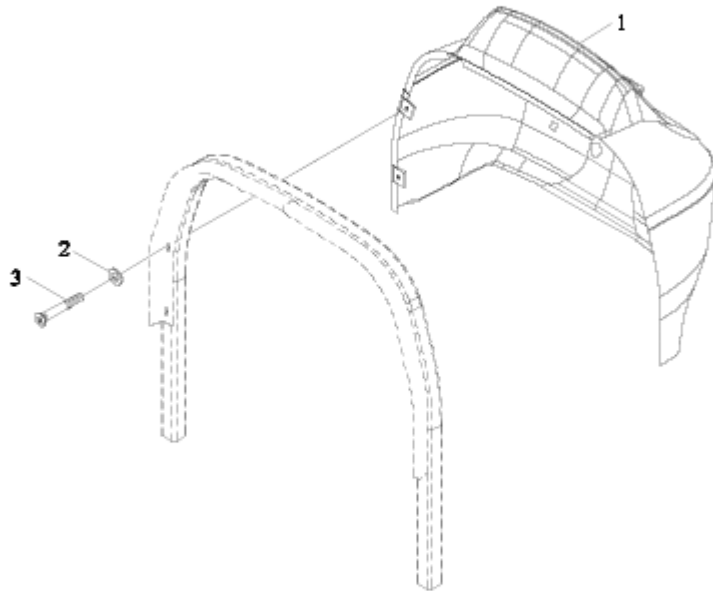
TE300. 473 FRONT MUD GUARD INSTALLATION ASSEMBLY



TE300.473 FRONT MUD GUARD INSTALLATION ASSEMBLY

No.	Part No.	Description	Ver- sion	QTY.	Remark
	TE300.473	FRONT MUD GUARD IN- STALLATION ASSEMBLY			
1	GBT5783-M10X30-8.8-A3L	HEXAGON BOLT		4	
2	GBT93-10-A0P	STANDARD SPRING WASHER		4	
3	GBT97.1-10-A0P	FLAT WASHER		4	
4	TE300.473.1	LEFT FRONT MUD GUARD ASSEMBLY		1	
5	TE300.473.2	RIGHT FRONT MUD GUARD ASSEMBLY		1	

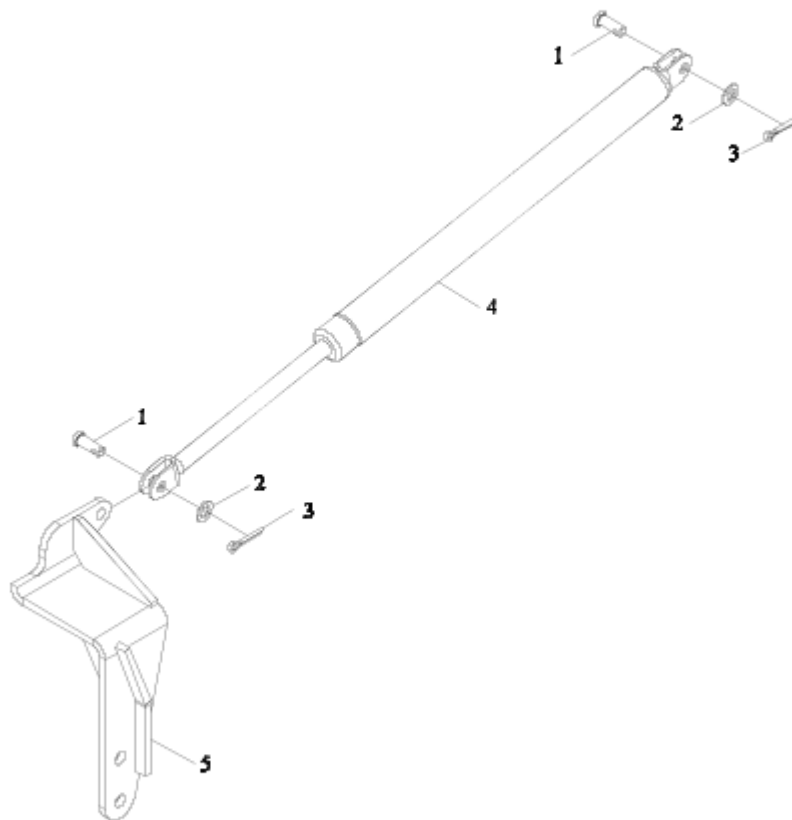
TE250. 474D DASHBOARD INSTALLATION ASSEMBLY



TE250. 474D DASHBOARD INSTALLATION ASSEMBLY

No.	Part No.	Description	Version	QTY.	Remark
1	TE250.474D.1	DASHBOARD		1	
2	GBT97.1-5-A0P	FLAT WASHER		6	
3	GBT819.1-M5X50-4.8-A1L	SCREW		6	

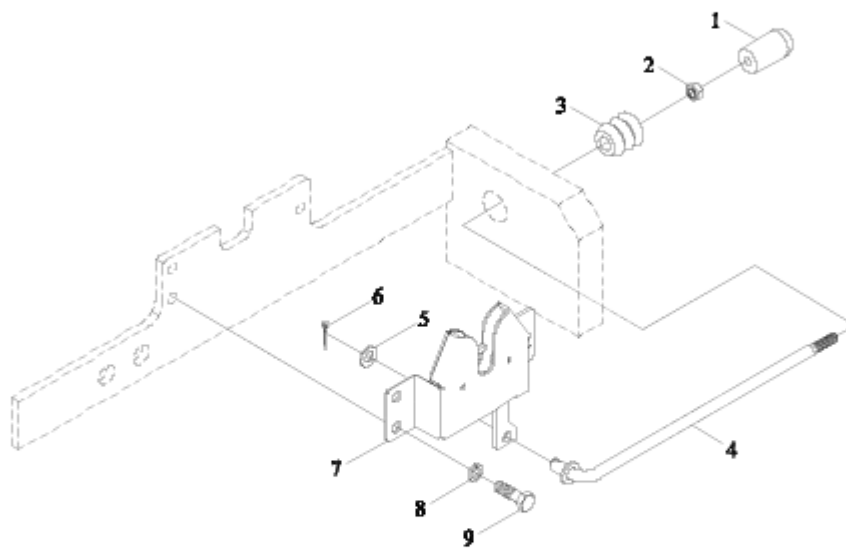
TE250. 476D BONNET PNEUMATIC SPRING INSTALLATION ASSEMBLY



TE250.476D BONNET PNEUMATIC SPRING INSTALLATION ASSEMBLY

No.	Part No.	Description	Version	QTY.	Remark
1	GBT882-B8X22	PIN SHAFT		2	
2	GBT95-8-A0P	FLAT WASHER		2	
3	GBT91-3.2X16-A0P	SPLIT PIN		2	
4	TE250.476D-01	BONNET PNEUMATIC SPRING		1	
5	TE254.471.6	PNEUMATIC SPRING FIX- ING BRACKET WELDMENT		1	

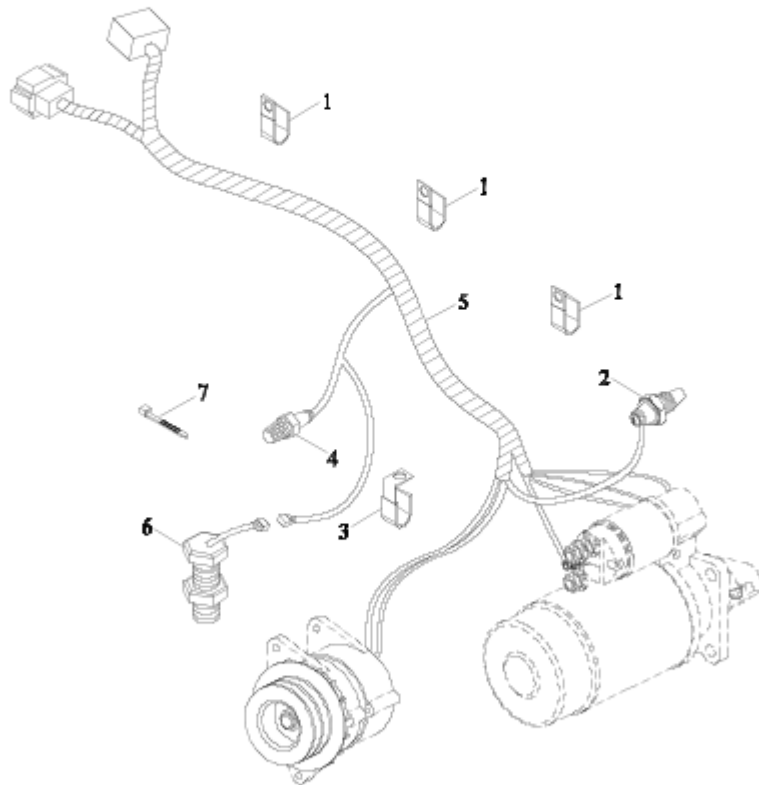
TE250. 477 BONNET LOCK INSTALLATION ASSEMBLY



TE250. 477 BONNET LOCK INSTALLATION ASSEMBLY

No.	Part No.	Description	Version	QTY.	Remark
	TE250.477	BONNET LOCK INSTALLATION ASSEMBLY		1	
1	TE250.477.3	HANDLE ASSEMBLY		1	
2	GBT6170-M5-8-A2L	HEXAGON NUT, TYPE-1		1	
3	TE250.477-01	RUBBER RING		1	
4	TE250.477.2	PULL ROD WELDMENT		1	
5	GBT97.1-6-A0P	FLAT WASHER		1	
6	GBT91-2X16-A0P	SPLIT PIN		1	
7	TE250.477.1	BONNET LOCK		1	
8	GBT93-5-A0P	STANDARD SPRING WASHER		3	
9	GBT5783-M5X10-8.8-A2L	HEXAGON BOLT		3	

TL0148102000K ENGINE HARNESS INSTALLATION ASSEMBLY



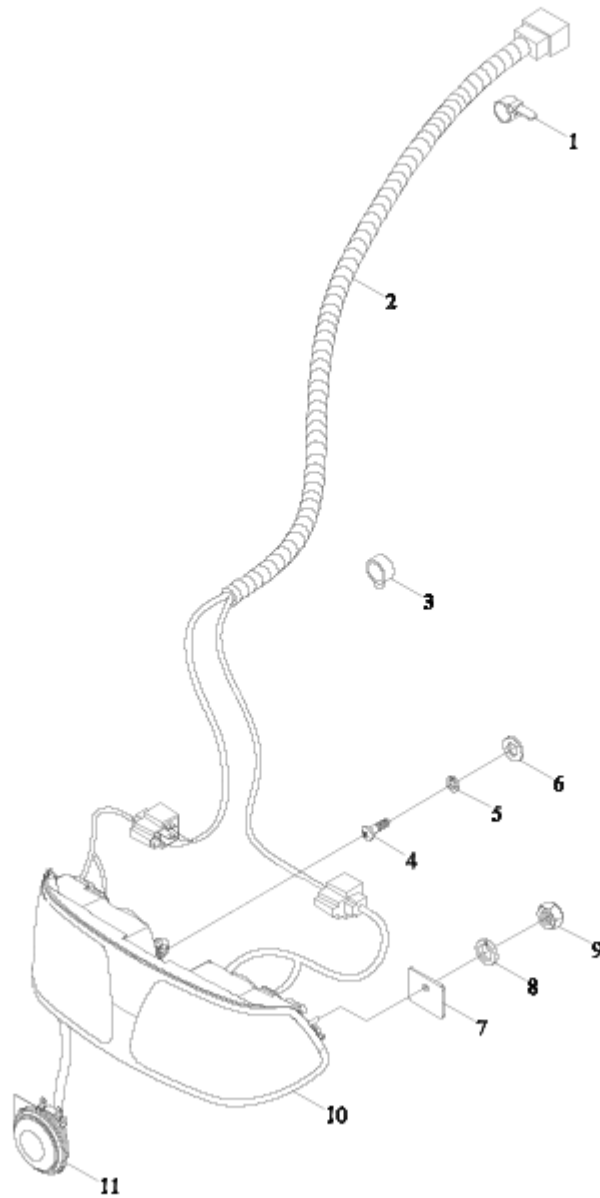
TL0148102000K ENGINE HARNESS INSTALLATION ASSEMBLY

No.	Part No.	Description	Version	QTY.	Remark
	TL0148102000K	ENGINE HARNESS INSTALLATION ASSEMBLY			
1	FT304.48L.203	HARNESS TIGHTEN CLIP		3	
2	FT65.48.072	WATER TEMPERATURE SENSOR		1	
3	FT300.48.105	HARNESS TIGHTEN CLIP 3		2	
4	FT65.48.073a	OIL PRESSURE ALARM		1	
5	TL01481020001K	ENGINE HARNESS ASSEMBLY		1	
6	TS10481010002	RPM SENSOR		1	
7	Q67405100	PLASTIC FASTENING STRIP		1	

TL01482300000K BODY HARNESS INSTALLATION ASSEMBLY

No.	Part No.	Description	Version	QTY.	Remark
1	TL01482300001K	BODY HARNESS ASSEMBLY		1	
2	TB550.484.2	BRAKE LIGHT SWITCH		2	
3	TE250.482A.3	VOLTAGE ADJUSTER		1	
4	FT300.48.055	STARTING RELAY		1	
5	TE250.482Y-01	RELAY BRACKET		1	
6	GBT818-M6X20-4.8-A2L	CROSS SCREW		7	
7	TE250.482A-02	RELAY BOX COVER		1	
8	TL01482150002K	RELAY BOX ASSEMBLY		1	
9	GBT97.1-6-A0P	FLAT WASHER		7	
10	GBT93-6-A0P	STANDARD SPRING WASHER		7	
11	GBT6170-M6-8-A2L	HEXAGON NUT, TYPE-1		5	
12	TL01482150003K	FUSE BOX ASSEMBLY		1	
13	TE250.482Y.2	RIGHT BUTTON SWITCH		1	
14	TB550.482.3	IGNITION LOCK		1	
15	TH354.482.4	LEFT PADDLE SWITCH		1	
16	3724D01-201	RELEASABLE TIE		8	
17	FT800A.48L.101	RUBBER RING(1)		3	

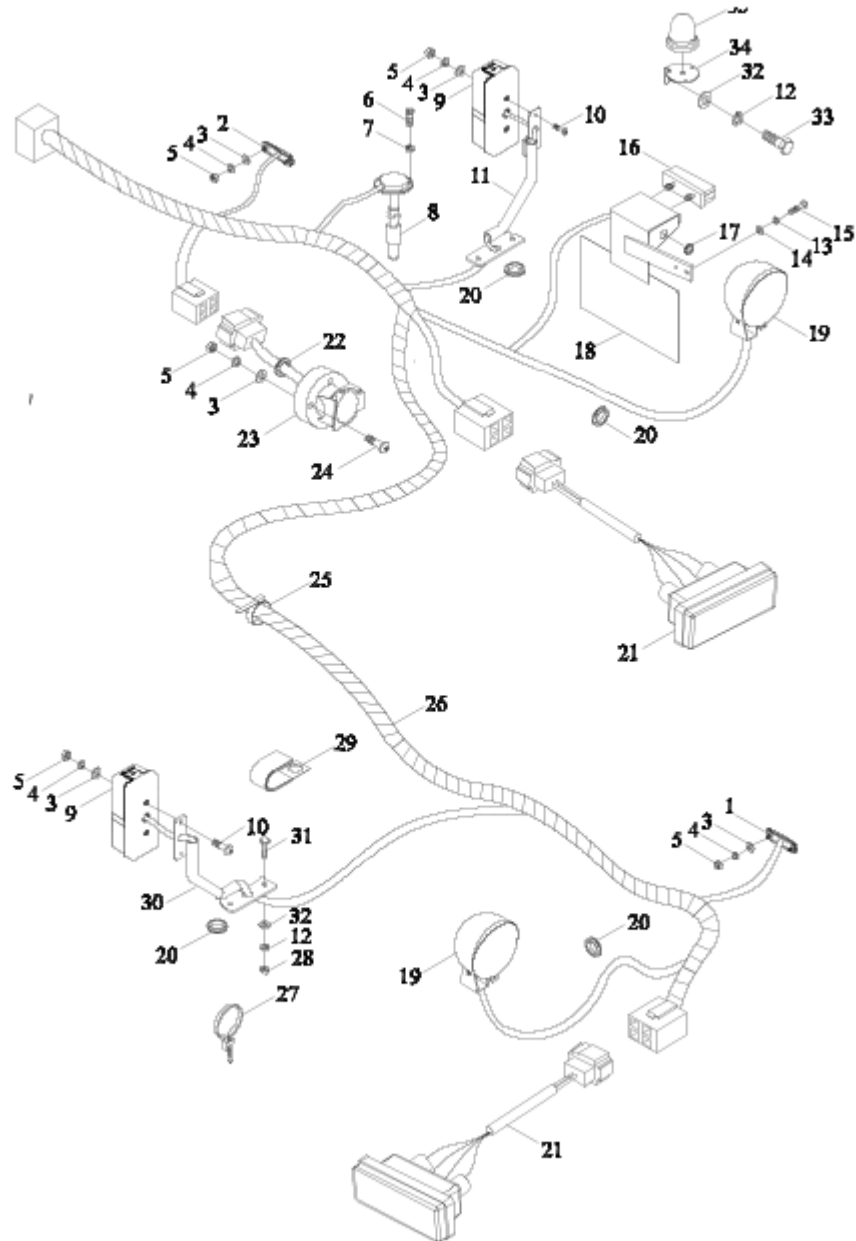
TL01483030000K FRONT LAMP HARNESS INSTALLATION ASSEMBLY



TL01483030000K FRONT LAMP HARNESS INSTALLATION ASSEMBLY

No.	Part No.	Description	Version	QTY.	Remark
1	3724D01-201	RELEASABLE TIE		1	
2	TL01483030001K	FRONT LAMP HARNESS ASSEMBLY		1	
3	3203505D9-L	TIE		5	
4	GBT818-M8X16-4.8-A2L	CROSS SCREW		2	
5	GBT93-8-A0P	STANDARD SPRING WASHER		2	
6	GBT97.1-8-A0P	FLAT WASHER		2	
7	TE250.483-01	PAD BOARD		2	
8	GBT93-6-A0P	STANDARD SPRING WASHER		2	
9	GBT6170-M6-8-A2L	HEXAGON NUT, TYPE-1		2	
10	TE250.483A.1	FRONT BIG LAMP ASSEMBLY		1	
10.1	GF286.29.8-01	BULB		1	
11	TD800.483B.3	ELECTRIC HORN		1	

TL0148432000K REAR LAMP HARNESS INSTALLATION ASSEMBLY



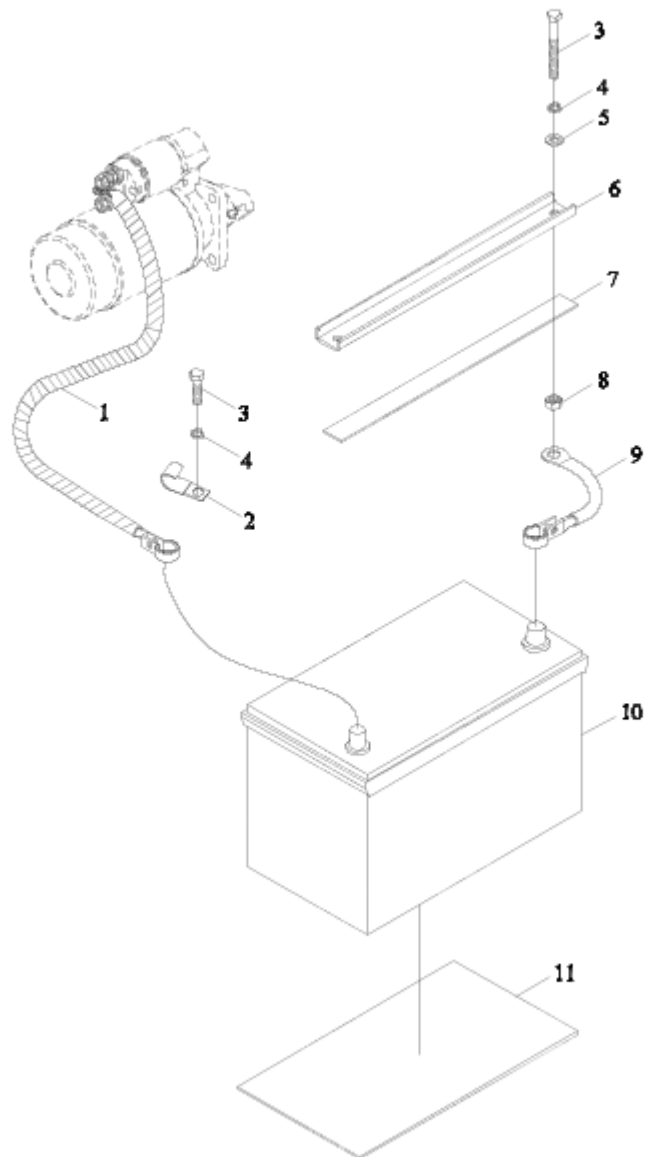
TL0148432000K REAR LAMP HARNESS INSTALLATION ASSEMBLY

No.	Part No.	Description	Version	QTY.	Remark
1	TB450.484E.6	RIGHT REFLECTOR		1	
2	TB450.484E.5	LEFT REFLECTOR		1	
3	GBT97.1-5-A0P	FLAT WASHER		8	
4	GBT93-5-A0P	STANDARD SPRING WASHER		8	
5	GBT6170-M5-8-A2L	HEXAGON NUT, TYPE-1		8	
6	GBT818-M4X10-4.8-A2L	CROSS SCREW		5	
7	GBT93-4-A0P	STANDARD SPRING WASHER		5	
8	TL01484240002K	OIL QUANTITY SENSOR		1	
9	TL01484070008K	SINGLE-SIDE LAMP ASSEMBLY		2	
10	GBT818-M5X20-4.8-A2L	CROSS SCREW		4	
11	TL01484060006K	LEFTSINGLELAMPBRACKETWELDMENT		1	
12	GBT93-8	STANDARD SPRING WASHER		8	
13	GBT93-6-A0P	STANDARD SPRING WASHER		2	
14	GBT97.1-6-A0P	FLAT WASHER		2	
15	GBT5783-M6X16-8.8-A2L	HEXAGON BOLT		2	
16	TL01484230003K	NAMEPLATE LAMP ASSEMBLY		1	
17	TD800.484B-03	RUBBER RING		1	
18	TE250.484U.1	NAMEPLATE LAMP BRACKET WELDMENT		1	
19	TC02484020003	REAR WORKING LIGHT ASSEMBLY		2	
20	FT65.48.094	THROUGH HARNESS WASHER (2)		2	
21	TL01484230002K	TAIL LAMP ASSEMBLY		2	
22	FT800A.48L.101	RUBBER RING(1)		2	
23	TD900.484.2	REAR TRAILER SOCKET		1	
24	GBT818-M5X35-4.8-A1L	CROSS SCREW		3	
25	3203505D9-L	TIE		5	
26	TL01484320001K	REAR LAMP HARNESS ASSEMBLY		1	
27	Q67405200	PLASTIC FASTENING STRIP		2	

TL01484320000K REAR LAMP HARNESS INSTALLATION ASSEMBLY (cont'd.)

No.	Part No.	Description	Version	QTY.	Remark
28	GBT6170-M8-8-A2L	HEXAGON NUT, TYPE-1		6	
29	TF1204.481B-01	HARNESS TIGHTEN CLIP		2	
30	TL01484060003K	RIGHTSINGLESIDELAMP-BRACKETWELDMENT		1	
31	GBT5783-M8X20-8.8-A2L	HEXAGON BOLT		6	
32	GBT97.1-8	FLAT WASHER		8	
33	GBT5783-M8X80-8.8-A2L	HEXAGON BOLT		2	
34	TB500.484D.3	ALARM LIGHT BRACKET WELDMENT		1	
35	TC02484100001K	ROTATING ALARM LIGHT ASSEMBLY		1	

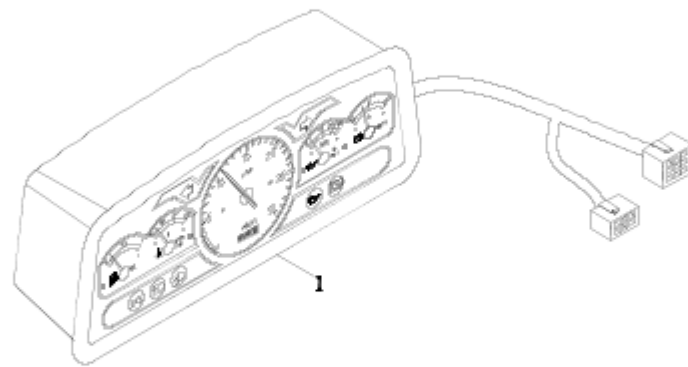
TE300. 485C BATTERY INSTALLATION ASSEMBLY



TE300. 485C BATTERY INSTALLATION ASSEMBLY

No.	Part No.	Description	Version	QTY.	Remark
1	FT300.48.017	POWER WIRE ASSEMBLY		1	
2	FT65.48.095	HARNESS FIXING CLAMP		1	
3	GBT5783-M8X80-8.8-A2L	HEXAGON BOLT		3	
4	GBT93-8-A0P	WASHER		3	
5	GBT97.1-8-A0P	WASHER		2	
6	TE300.485A-01	BATTERY PRESS PLATE		1	
7	TE250.485A-02	PRESSURE GASKET		1	
8	GBT6170-M8-8-A2L	HEXAGON NUT, TYPE-1		1	
9	TE300.485.3	BATTERY CATHODE CABLE ASSEMBLY		1	
10	TE250.24B.1L	BATTERY ASSEMBLY		1	
11	FT250.24B.103	RUBBER SKIN		1	

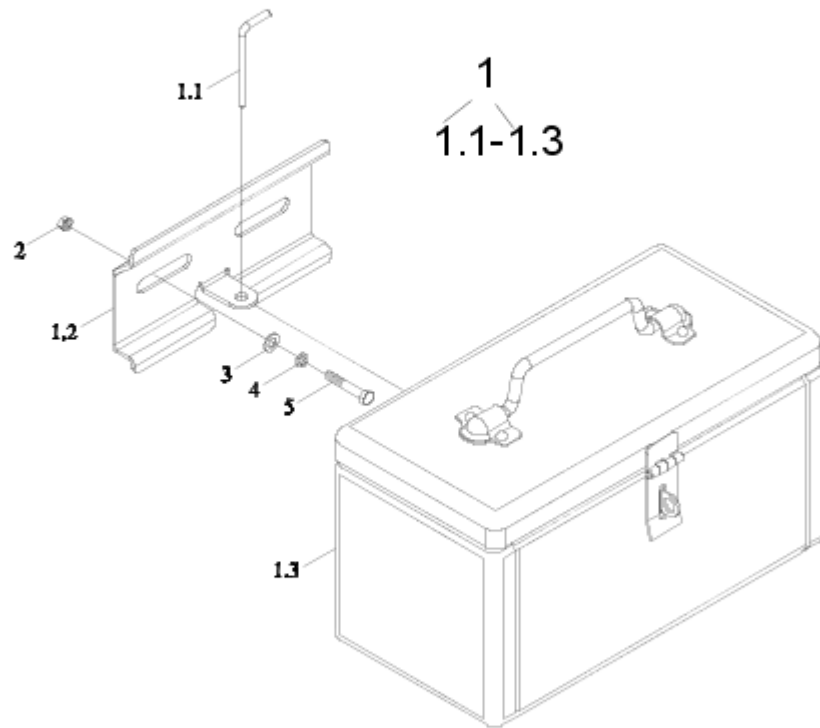
TL01487010000K COMBINED INSTRUMENT ASSEMBLY



TL01487010000K COMBINED INSTRUMENT ASSEMBLY

No.	Part No.	Description	Ver- sion	QTY.	Remark
1	TL01487010000K	COMBINED INSTRUMENT ASSEMBLY		1	

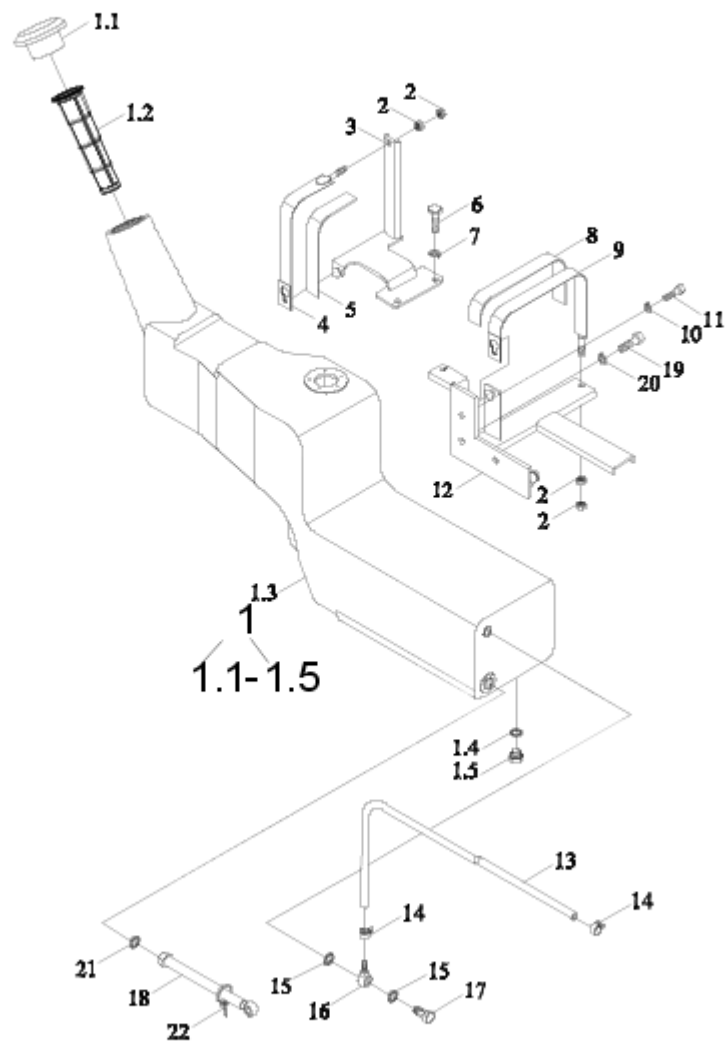
FT300. 49. 001 TOOL BOX ASSEMBLY



FT300. 49. 001 TOOL BOX ASSEMBLY

No.	Part No.	Description	Version	QTY.	Remark
1	TB400.49.1	TOOL ASSEMBLY		1	
1.1	FT65.49.102	CROSS PIN		1	
1.2	FT65.49.103	FIXING SUPPORT PLATE		1	
1.3	TB400.49.1.1	TOOL ASSEMBLY		1	
2	GBT6170-M12-8-A3L	HEXAGON NUT, TYPE-1		2	
3	GBT97.1-12-A0P	FLAT WASHER		2	
4	GBT93-12-A0P	STANDARD SPRING WASHER		2	
5	GBT5783-M12X35-8.8-A3L	HEXAGON BOLT		2	

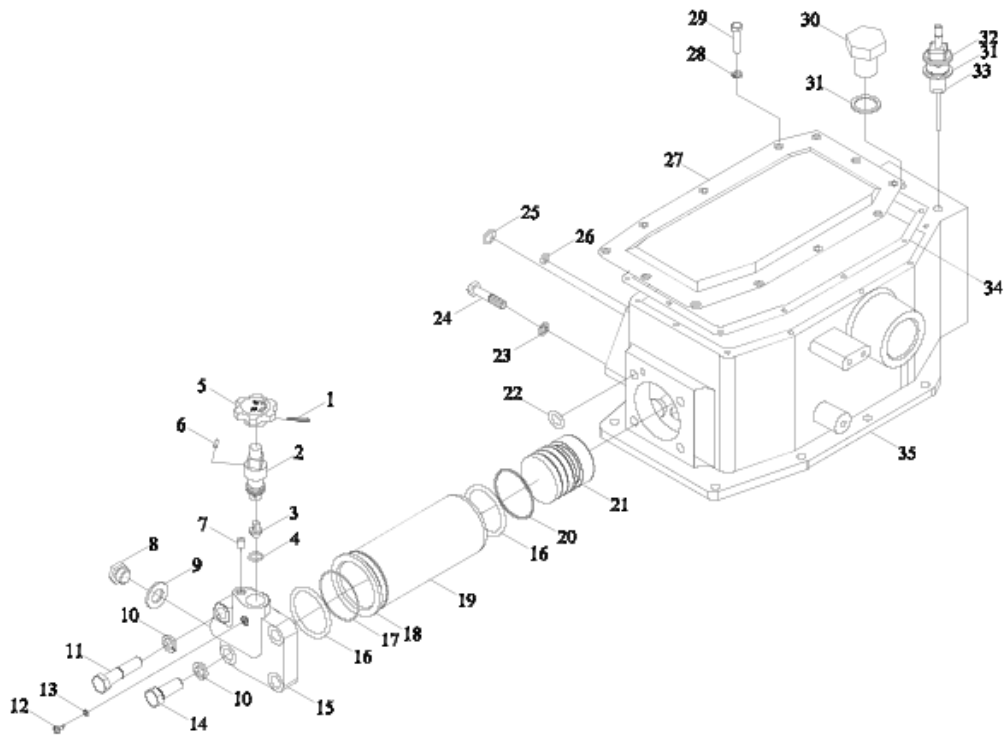
TE254. 50A OIL TANK INSTALLATION ASSEMBLY



TE254. 50A OIL TANK INSTALLATION ASSEMBLY

No.	Part No.	Description	Version	QTY.	Remark
1	TE254.50A.1	OIL TANK ASSEMBLY		1	
1.1	TD800.501A.1.1	OIL TANK COVER		1	
1.2	TF1004.501.1-02	FILTER MESH		1	
1.3	TE254.50A.1-01	OIL TANK HOUSING		1	
1.4	JBT982-16	COMBINED SEAL GASKET		3	
1.5	Q617B16	HEXAGON PLUG		1	
2	GBT6170-M10-8-A3L	HEXAGON NUT, TYPE-1		4	
3	TE254.50A.2	OIL TANK REAR BRACKET WELDMENT		1	
4	TE254.50A.4a	REAR FASTENING TIE WELDMENT		1	
5	TE254.50A-01	RUBBER WASHER 1		1	
6	GBT5783-M14X30-8.8-A3L	HEXAGON BOLT		2	
7	GBT93-14-A0P	STANDARD SPRING WASHER		2	
8	TE254.50A-02	RUBBER WASHER 2		1	
9	TE254.50A.5a	FRONT BAND WELDMENT		1	
10	GBT93-10-A0P	STANDARD SPRING WASHER		1	
11	GBT5783-M10X30-8.8-A3L	HEXAGON BOLT		1	
12	TE254.50A.3	OIL TANK FRONT BRACKET WELDMENT		1	
13	TE254.50A-06	BREATH PIPE		1	
14	Q673B13	STEEL STRIP ELASTIC HOOP		2	
15	JBT982-14	COMBINED SEAL GASKET		2	
16	FT800A.50.162	OIL PIPE JOINT		1	
17	FT65.50.106	HOLLOW BOLT		1	
18	TE254.50A.6	OIL CONVEYING PIPE ASSEMBLY		1	
19	GBT5783-M12X30-8.8-A3L	HEXAGON BOLT		1	
20	GBT93-12-A0P	STANDARD SPRING WASHER		2	
21	TE254.50A-03	RUBBER WASHER		1	
22	Q67405200	PLASTIC FASTENING STRIP		4	

TE250. 55A LIFTER INSTALLATION ASSEMBLY-1



TE250. 55A LIFTER INSTALLATION ASSEMBLY-1

No.	Part No.	Description	Ver- sion	QTY.	Remark
1	GBT879-4X22	PIN		1	
2	FT250.55.128A	ADJUSTING VALVE ROD		1	
3	YT18.55.129	ADJUSTING VALVE		1	
4	GBT1235-22X2.4	O-RING		1	
5	E300.55.140A	SPEED DROP VALVE HAND WHEEL		1	
6	300.55.138	PIN		1	
7	25.55.169	TAPER PLUG ZG1/8"		1	
8	25.55.109A	HEXAGON SCREW PLUG		1	
9	JBT982-18	WASHER		1	
10	GBT93-14	WASHER		4	
11	GBT5782-M14X60	BOLT		1	
12	GBT828-M5X6X4-22H	SCREW		1	
13	GBT97.1-5	WASHER		1	
14	GBT5782-M14X50	BOLT		3	
15	TE300.55.126	CYLINDER HEAD		1	
16	GBT3452.1-65X5.3	O-RING		2	
17	DF250.55.120	O-RING		1	
18	DF250.55.121	RECTANGULAR RETAINER RING		1	
19	TE300.55.102	CYLINDER TRUNK		1	
20	DF250.55.161	RETAINER RING		1	
21	DF250.55.013	PISTON ASSEMBLY		1	
22	GBT1235-18X2.4	O-RING		1	
23	GBT93-10	WASHER		3	
24	GBT5782-M10X80	BOLT		3	
25	GBT3452.1-19X2.65	O-RING		1	
26	GBT3452.1-13.2X2.65	O-RING		1	
27	TE250.55A.105	LIFTER UPPER COVER		1	
28	GBT93-8	WASHER		12	
29	GBT5783-M8X20	BOLT		12	
30	TE250.55A.109	PLUG		1	
31	18.55.104	WASHER		2	
32	TE250.55A.011	VENTILATION PLUG BODY WELDMENT		1	
33	18.55.021	OIL METER ASSEMBLY		1	

TE250. 55A LIFTER INSTALLATION ASSEMBLY-1 (cont'd.)

No.	Part No.	Description	Version	QTY.	Remark
34	TE250.55A.106	UPPER COVER PAPER GASKET		1	
35	TE250.55A.101	LIFTER HOUSING		1	

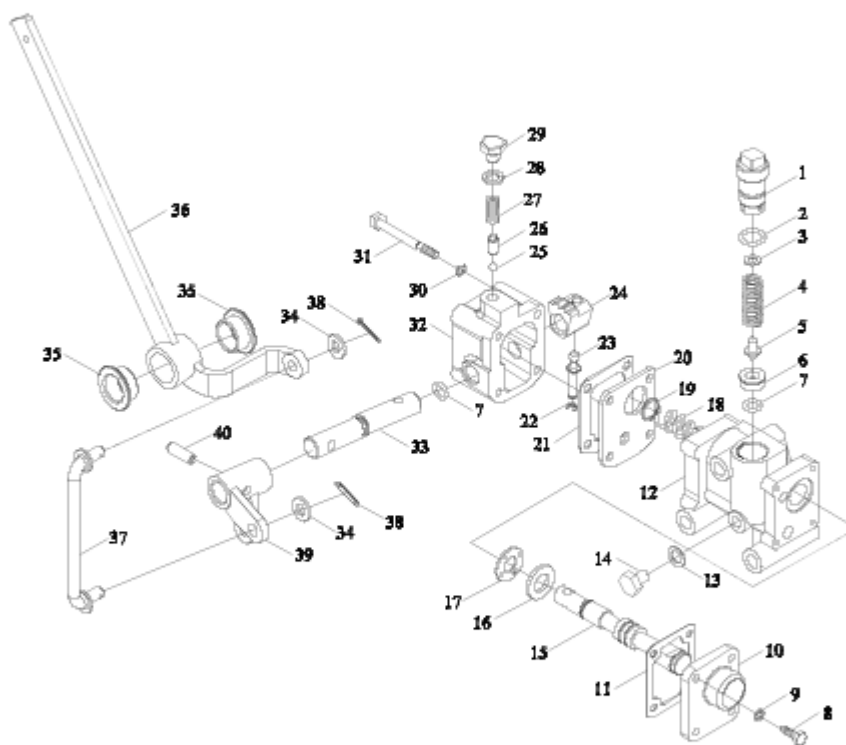
TE250. 55A LIFTER INSTALLATION ASSEMBLY-2

No.	Part No.	Description	Ver- sion	QTY.	Remark
1	FT800.55A.237	ELASTIC PIN		1	
2	18.55.107	UPPER PULL ROD FRONT CONNECTING PIN		1	
3	TE250.55A.012	REAR END COVER ASSEMBLY		1	
4	18.55.159	REAR END COVER PAPER GASKET		1	
5	GBT93-10	WASHER		8	
6	GBT5782-M10X45	BOLT		8	
7	18.55.108	OIL DISCHARGING PLUG		1	
8	JBT982-12	COMBINED SEAL GASKET		1	
9	GBT97.1-20	WASHER		1	
10	GBT5783-M8X20	BOLT		3	
11	18.55.111	THRUST WASHER		2	
12	18.55.109	LIFTING SHAFT PRESSURE PLATE		1	
13	TE250.55A.030	LEFT LIFTING ARM ASSEMBLY		1	
14	TE250.55.132	SEAL SLEEVE		2	
15	GBT3452.1-48.7X1.8	O-RING		2	
16	GBT3452.1-43.7X1.8	O-RING		2	
17	TE250.55.110	O-RING		2	
18	TE250.55.111	LIFTING SHAFT SLEEVE		2	
19	TE250.55A.111	SPACER BUSH		2	
20	TE250.55A.104	LIFTING SHAFT		1	
21	18.55.133-1	INNER LIFTING ARM		1	
22	GBT882-B6X50	PIN SHAFT		1	
23	TE300.55.132	TOP ROD		1	
24	GBT97.1-6	WASHER		1	
25	GBT91-2X12	PIN		1	
26	TE250.55A.020	RIGHT LIFTING ARM ASSEMBLY		1	
27	GBT97.1-12	WASHER		1	
28	GBT91-2X16	PIN		3	
29	18.55.145	RETURN RETAINER PLATE		1	
30	GBT6170-M8	NUT		3	
31	TE250.55A.113	LIMITING PIN SHAFT		1	
32	18.55.110	RETAINER BLOCK		1	

TE250. 55A LIFTER INSTALLATION ASSEMBLY-2 (cont'd.)

No.	Part No.	Description	Version	QTY.	Remark
33	TE250.55A.107	LIFTING ADJUSTING ROD		1	
34	GBT97.1-8	WASHER		1	
35	GBT5783-M10X35-A3L	HEXAGON BOLT		5	
36	GBT93-10-AOP	SPRING WASHER		10	
37	GBT5783-M10X30-A3L	HEXAGON BOLT		8	

TE250. 55A LIFTER INSTALLATION ASSEMBLY-3



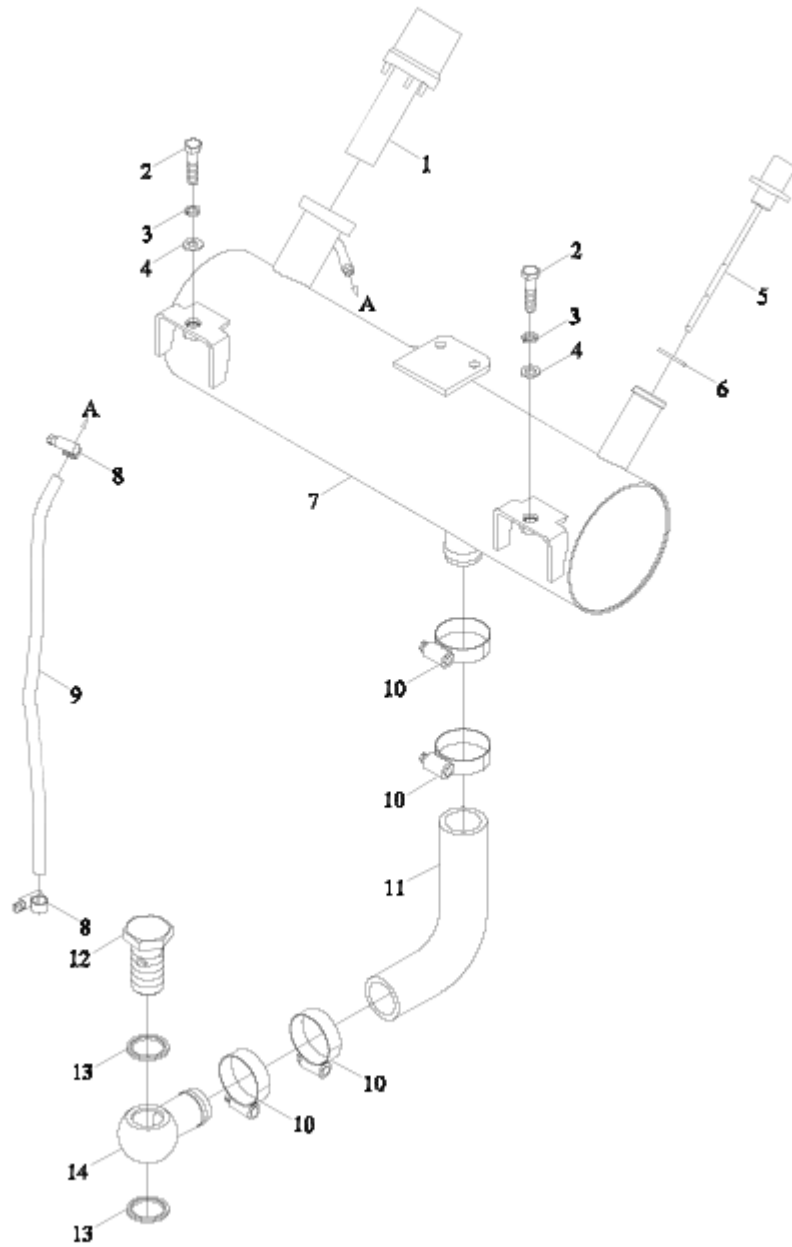
TE250. 55A LIFTER INSTALLATION ASSEMBLY-3

No.	Part No.	Description	Ver- sion	QTY.	Remark
1	18FP.57.110	PRESSURE PLUG		1	
2	GBT3452.1-15X2.65G	O-SEAL RING		1	
3	18FP.57.111	ADJUSTING WASHER		1	
4	18FP.57.112	SAFETY VALVE SPRING		1	
5	18FP.57.119	SAFETY VALVE CORE		1	
6	18FP.57.101	SAFETY VALVE SEAT		1	
7	GBT3452.1-9.5X2.65G	O-SEAL RING		2	
8	GBT5783-M5X18	BOLT		4	
9	GBT93-5	WASHER		4	
10	18FP.57.102	FRONT COVER		1	
11	18FP.57.103	FRONT COVER PAPER GASKET		1	
12	18FP.57.104A	DISTRIBUTOR HOUSING		1	
13	150D.55.227-2	SEAL RING		1	
14	JBT1000-M10X1	HEXAGON SCREW PLUG		1	
15	18FP.57.113	SLIDING VALVE		1	
16	GBT97.1-14	WASHER		1	
17	18FP.57.115	WASHER		1	
18	18FP.57.114	SLIDING VALVE RETURN SPRING		1	
19	GBT894.1-15	RETAINER RING		1	
20	18FP.57.106	RETAINER PLATE		1	
21	18FP.57.107	REAR COVER PAPER GASKET		2	
22	GBT896-4	RETAINER RING		1	
23	14FP.57.105	DIAL PIN		1	
24	14FP.57.104	LOCATING BLOCK		1	
25	GBT308-6V	STEEL BALL		1	
26	14FP.57.118	LOCATING SPRING SEAT		1	
27	14FP.57.119	LOCATING SPRING		1	
28	14FP.57.121	MAT		1	
29	14FP.57.120	SCREW PLUG		1	
30	GBT93-6	WASHER		6	
31	GBT5782-M6X60	BOLT		4	
32	18FP.57.108	REAR COVER		1	
33	TE250.57.102	HANDLE SHAFT		1	
34	GBT97.1-8	FLAT WASHER		2	

TE250. 55A LIFTER INSTALLATION ASSEMBLY-3 (cont'd.)

No.	Part No.	Description	Version	QTY.	Remark
35	TE250.57.103	NYLON BUSH		2	
36	TE250.57.012	CONTROL HANDLE WELDMENT		1	
37	TE250.57.013	PULL ROD WELDMENT		1	
38	GBT91-2X16	SPLIT PIN		2	
39	TE250.57.101	CONTROL ROCKER 1		1	
40	GBT879-6X22	ELASTIC PIN		1	

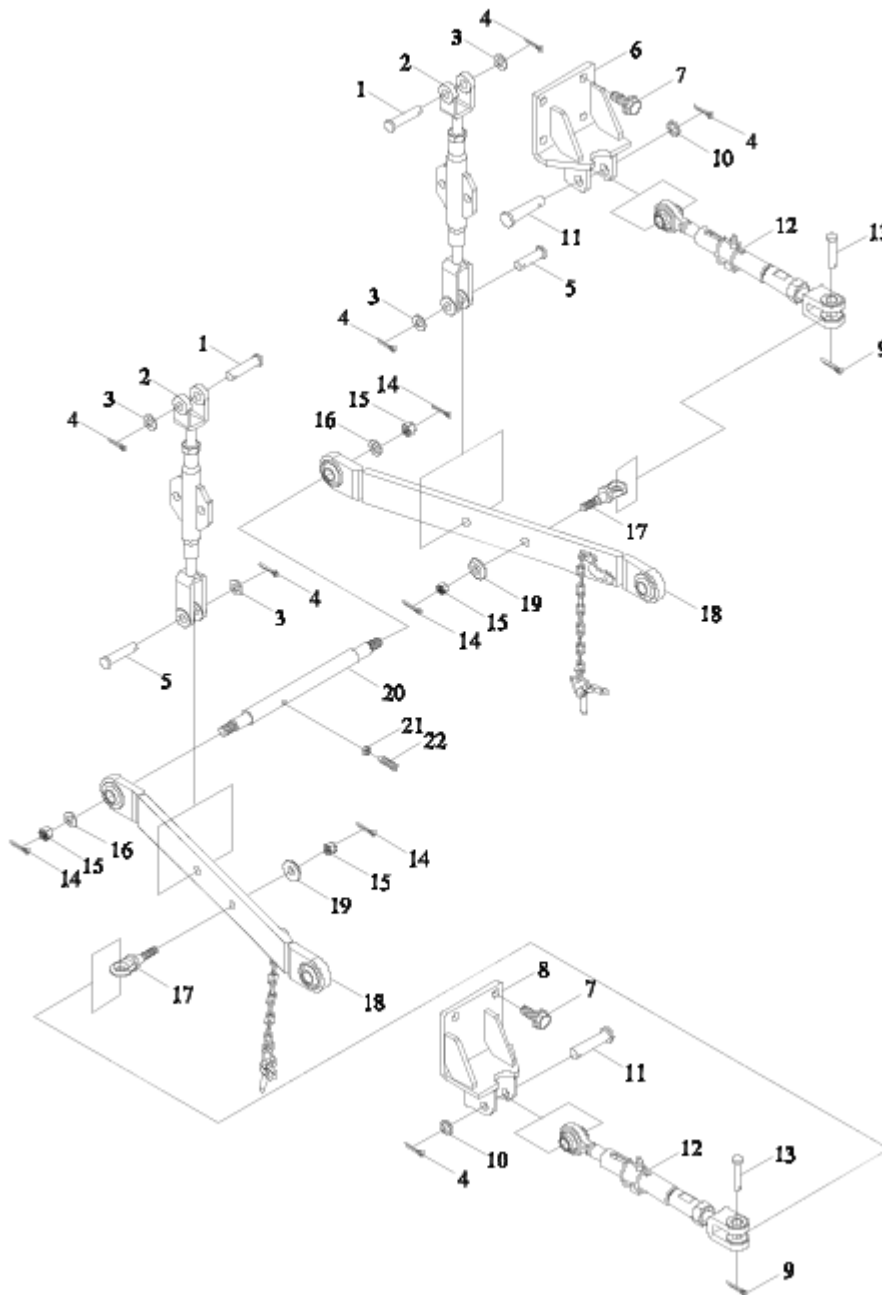
TE250. 556B HYDRAULIC AUXILIARY OIL TANK ASSEMBLY



TE250. 556B HYDRAULIC AUXILIARY OIL TANK ASSEMBLY

No.	Part No.	Description	Version	QTY	Remark
1	TD800.556.4	OIL TANK AIR FILTER		1	
2	GBT5783-M10X35-8.8-A3L	HEXAGON BOLT		2	
3	GBT93-10-A0P	STANDARD SPRING WASHER		2	
4	GBT97.1-10-A0P	FLAT WASHER		2	
5	TD800.556.3	OIL DIPSTICK ASSY		1	
6	JBT982-18	COMBINED SEAL GASKET		1	
7	TE250.556B.1	HYDRAULIC AUXILIARY FUEL TANK WELD		1	
8	Q67512	A-TYPE WORM TRANSMIS- SION HOSE CLAMP		2	
9	TE250.556B-02	BREATH HOSE		1	
10	Q67645	B-TYPE WORM TRANSMIS- SION HOSE CLAMP		4	
11	TE250.556B-01	OIL INLET RUBBLE HOSE		1	
12	TE250.556B-04	HOLLOW BOLT		1	
13	JBT982-27	COMBINED SEAL GASKET		2	
14	TE250.556B-03	OIL PIPE JOINT		1	

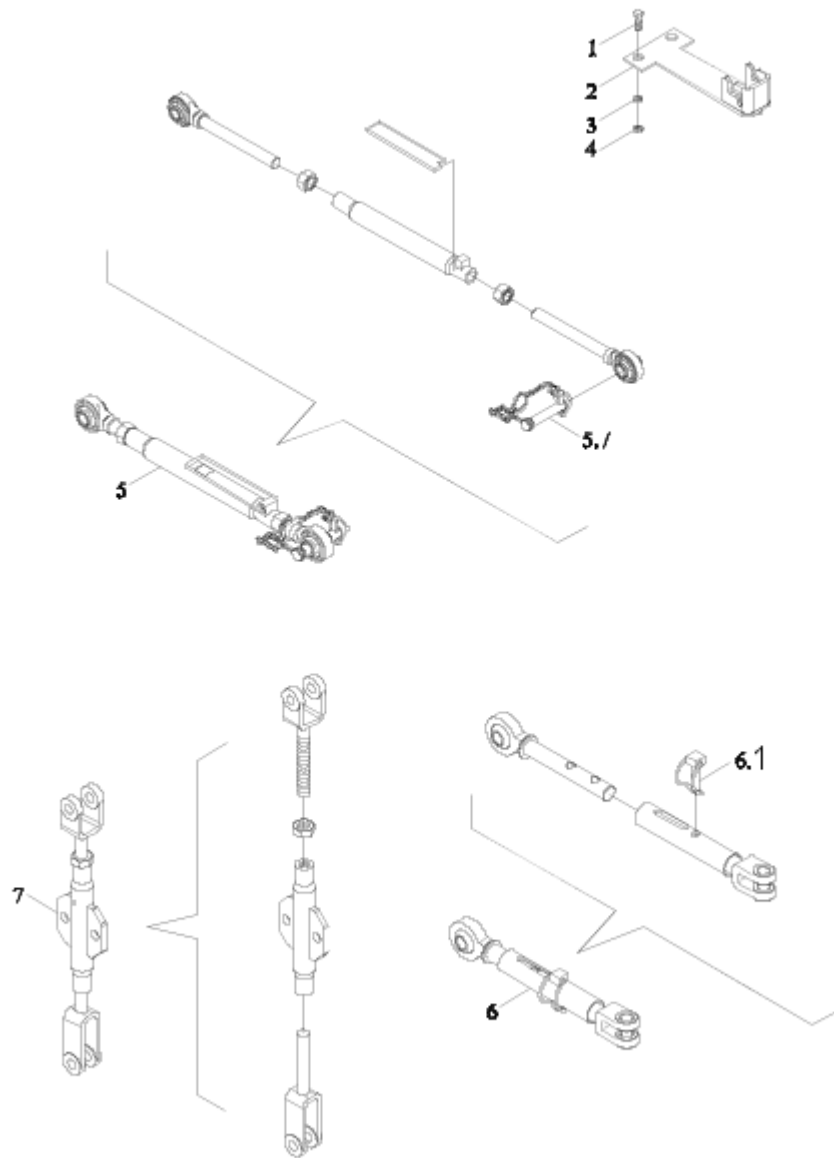
TE250. 56E SUSPENSION ASSEMBLY-1



TE250.56E SUSPENSION ASSEMBLY-1

No.	Part No.	Description	Version	QTY	Remark
1	TE250.56D-01	LIFTING ROD UPPER CONNECTING PIN		2	
2	TE250.56D.3	LIFTING ROD ASSEMBLY		2	
3	GBT97.1-20-A0P	FLAT WASHER		4	
4	GBT91-4X28-A0P	SPLIT PIN		6	
5	TE300.56-03	LIFTING ROD LOWER CONNECTING PIN		2	
6	TE250.56D.5	RIGHT LIMITING ROD BRACKET WELDMENT		1	
7	GBT16674.1-M14X30-10.9-A3L	HEXAGON FLANGE NUT		8	
8	TE250.56D.6	LEFT LIMITING ROD BRACKET WELDMENT		1	
9	GBT91-5X32-A0P	SPLIT PIN		2	
10	FT250.56.103	BUSH		2	
11	FT250.56.106	LIMITING ROD CONNECTING PIN		2	
12	TE250.56D.2	LIMIT ROD ASSEMBLY		2	
13	GBT882-B18X55	PIN SHAFT		2	
14	GBT91-4X36-A0P	SPLIT PIN		4	
15	GBT6178-M16-8	HEXAGON SLOTTED NUT, STYLE 1		4	
16	GBT97.1-16-A0P	FLAT WASHER		2	
17	TE300.56-11	LIMITING ROD REAR CONNECTING PIN		2	
18	TE250.56D.1	LOWER PULL ROD ASSEMBLY		2	
19	TE300.56-02	CIRCULAR PLATE		2	
20	FT250.56.102	LOWER PULL ROD FIXING SHAFT		1	
21	GBT6172.1-M12-04-A3L	HEXAGON THIN NUT		1	
22	FT250.56.125	THRUST SCREW		1	

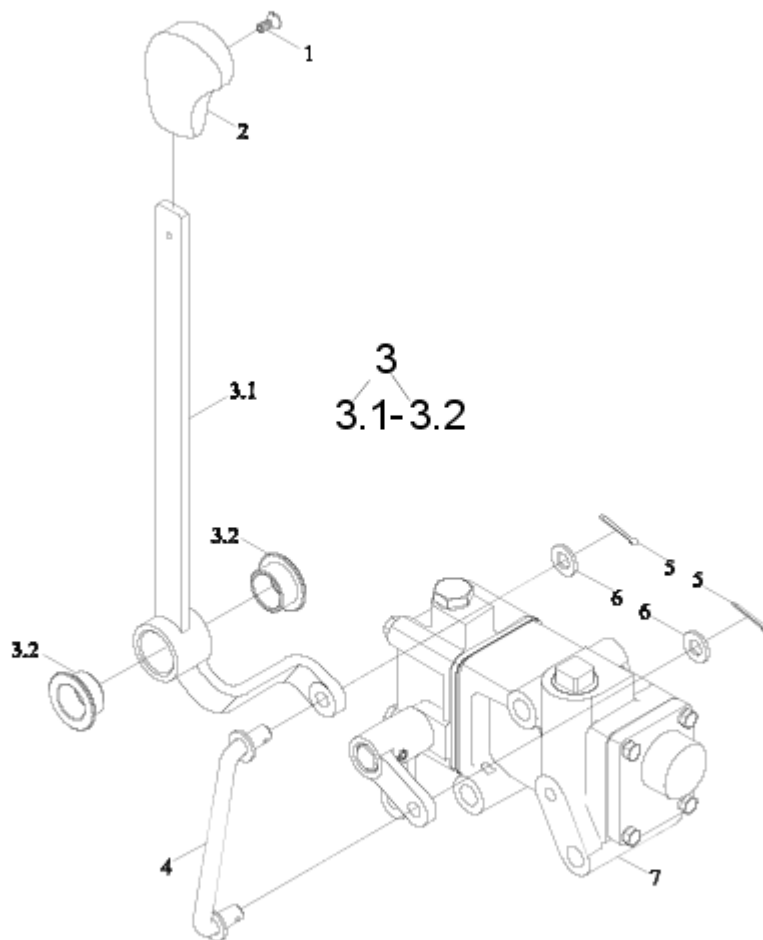
TE250. 56E SUSPENSION ASSEMBLY-2



TE250.56E SUSPENSION ASSEMBLY-2

No.	Part No.	Description	Version	QTY	Remark
1	GBT5783-M8X30-8.8-A2L	HEXAGON BOLT		2	
2	TE250.56E.2	INSTALLATION SEAT WELDMENT		1	
3	GBT93-8-A0P	STANDARD SPRING WASHER		2	
4	GBT6170-M8-8-A2L	HEXAGON NUT, TYPE-1		2	
5	TE250.56E.1	UPPER PULL ROD ASSEMBLY		1	
5.1	FT300.56A.113	LOCKING PIN CHAIN ASSEMBLY		2	
6	TE250.56D.2	LIMIT ROD ASSEMBLY		1	
6.1	FT300.56A.023	LIMITING ROD LOCK PIN ASSEMBLY		1	
7	TE250.56D.3	LIFTING ROD ASSEMBLY		1	

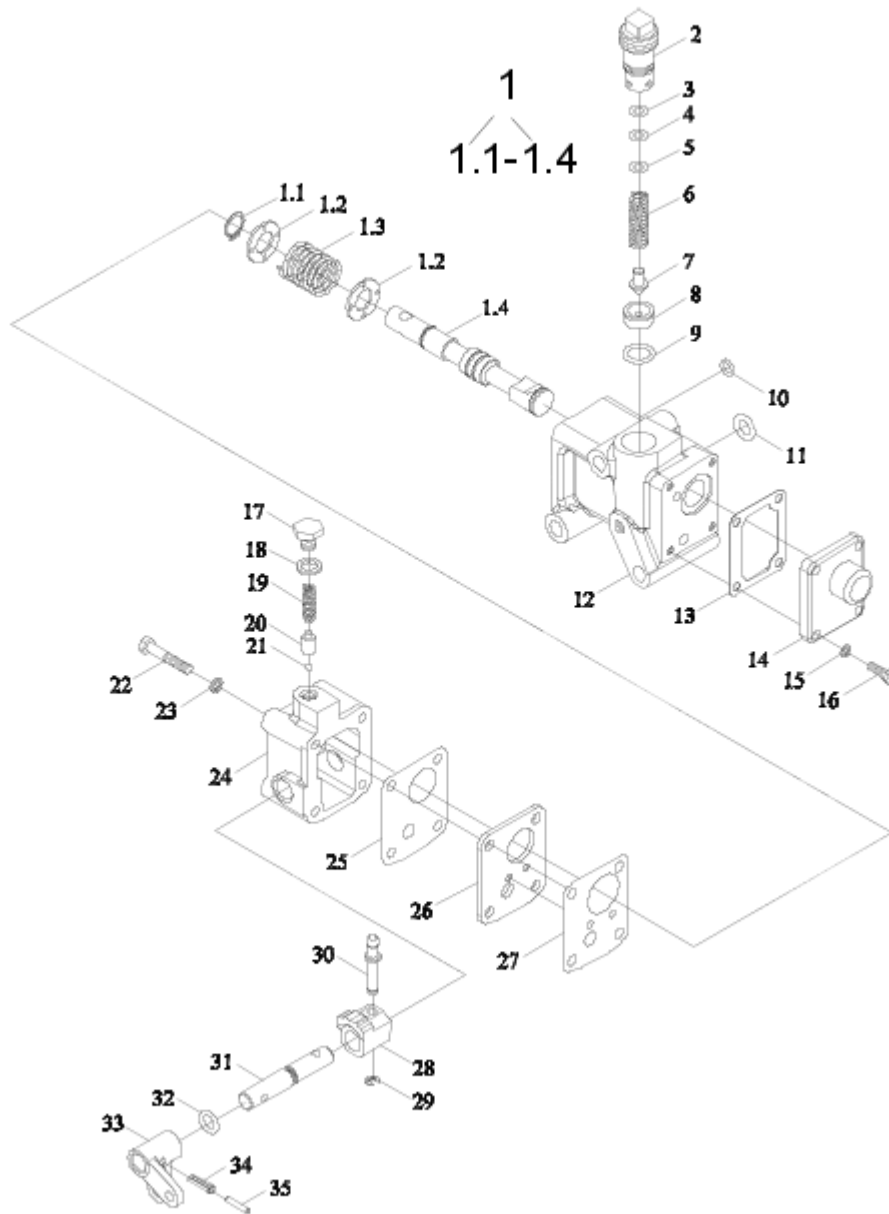
TE250. 57 DISTRIBUTOR AND CONTROL MECHANISM ASSEMBLY-1



TE250.57 DISTRIBUTOR AND CONTROL MECHANISM ASSEMBLY-1

No.	Part No.	Description	Version	QTY.	Remark
1	GBT68-M4X10-4.8-A2L	SLOTTED SCREW		1	
2	TB504.552-04	HANDLE HEAD		1	
3	TE250.57.2a	CONTROL HANDLE ASSEMBLY		1	
3.1	TE250.57.2a.1	CONTROL HANDLE WELDMENT		1	
3.2	TE250.57.2-01	NYLON BUSH		2	
4	TE250.57.3	PULL ROD WELDMENT		1	
5	GBT91-2X18-A0P	SPLIT PIN		2	
6	GBT97.1-8-A0P	FLAT WASHER		2	
7	TE250.57.1	DISTRIBUTOR ASSEMBLY		1	

TE250. 57 DISTRIBUTOR AND CONTROL MECHANISM ASSEMBLY-2



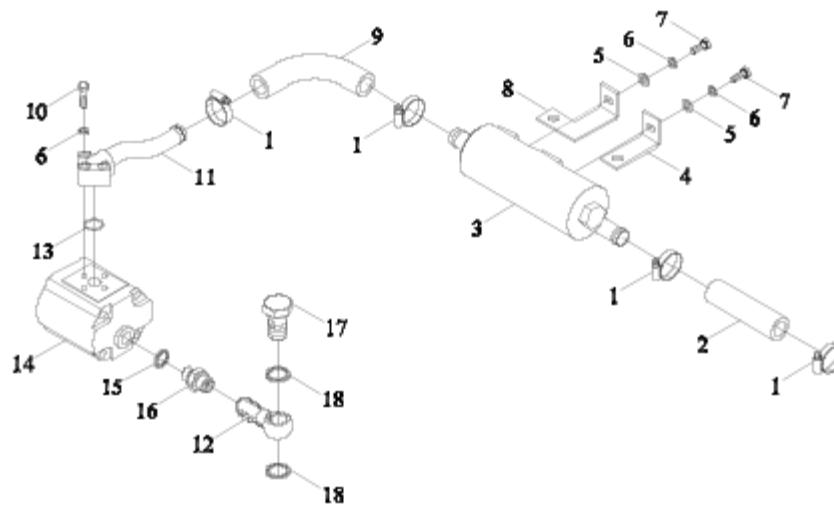
TE250. 57 DISTRIBUTOR AND CONTROL MECHANISM ASSEMBLY-2

No.	Part No.	Description	Ver- sion	QTY.	Remark
1	FT250.57.010	SLIDING VALVE ASSEMBLY		1	
1.1	GBT894.1-15	RETAINER RING		1	
1.2	FT250.57.115	SPRING RETAINER PIECE		2	
1.3	FT250.57.114	SLIDING VALVE RETURN SPRING		1	
1.4	FT250.57.113	SLIDING VALVE		1	
2	FT250.57.128	PRESSURE PLUG		1	
3	FT250.57.110	ADJUSTING WASHER		1	
4	FT250.57.111	ADJUSTING WASHER		1	
5	FT250.57.112	ADJUSTING WASHER		1	
6	FT250.57.129	SAFETY VALVE SPRING		1	
7	FT250.57.131	SAFETY VALVE CORE		1	
8	FT250.57.101	SAFETY VALVE SEAT		1	
9	GBT3452.1-15.0X2.65G	RUBBER O-SEAL RING		1	
10	GBT3452.1-13.2X2.65G	RUBBER O-SEAL RING		1	
11	GBT3452.1-19.0X2.65G	RUBBER O-SEAL RING		1	
12	FT250.57.104	DISTRIBUTOR HOUSING		1	
13	FT250.57.103	FRONT COVER PAPER GASKET		1	
14	FT250.57.102	FRONT COVER		1	
15	GBT93-5-A0P	STANDARD SPRING WASHER		4	
16	GBT5781-M5X16-4.8-A2L	HEXAGON BOLT		4	
17	FT250.57.123	SCREW PLUG		1	
18	FT250.57.124	WASHER		1	
19	FT250.57.122	LOCATING SPRING		1	
20	FT250.57.121	LOCATING SPRING SEAT		1	
21	GBT308-5-G100-B	STEEL BALL		1	
22	GBT5780-M6X55-4.8-A1L	HEXAGON BOLT		4	
23	GBT93-6-A0P	STANDARD SPRING WASHER		4	
24	FT250.57.108	REAR COVER		1	
25	FT250.57.107	REAR COVER PAPER GASKET		1	
26	FT250.57.106	RETAINER PLATE		1	
27	FT250.57.105	RETAINER PLATE PAPER GASKET		1	

TE250.57 DISTRIBUTOR AND CONTROL MECHANISM ASSEMBLY-2 (cont'd.)

No.	Part No.	Description	Version	QTY.	Remark
28	FT250.57.119	LOCATING BLOCK		1	
29	GBT896-4	SPLIT RETAINER RING		1	
30	FT250.57.120	DIAL PIN		1	
31	TE250.57.1-01	HANDLE SHAFT		1	
32	GBT3452.1-9.50X2.65A	RUBBER O-SEAL RING		1	
33	TE250.57.1-02	CONTROL ROCKER 1		1	
34	GBT879.1-6X22	SPRING COLUMN PIN		1	
35	GBT879.1-4X22	SPRING COLUMN PIN		1	

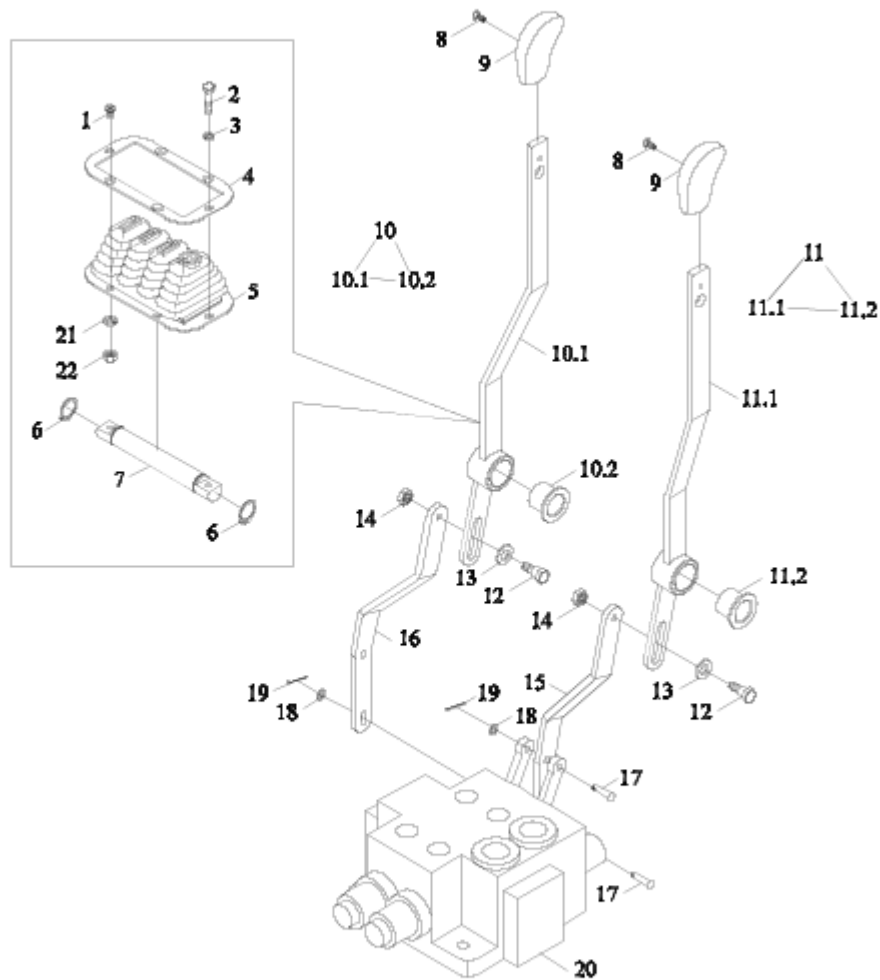
TE254. 581H OIL PUMP/PIPE/FILTER ASSEMBLY



TE254. 581H OIL PUMP/PIPE/FILTER ASSEMBLY

No.	Part No.	Description	Version	QTY.	Remark
1	Q67638	B-TYPE WORM TRANSMISSION HOSE CLAMP		4	
2	FT254.58.135	RUBBER HOSE		1	
3	TE254.581H.3	OIL SUCTION FILTER ASSEMBLY		1	
4	TE254.581H-03	OIL FILTER REAR BRACKET		1	
5	GBT97.1-8-A0P	FLAT WASHER		2	
6	GBT93-8-A0P	STANDARD SPRING WASHER		5	
7	GBT5783-M8X20-8.8-A2L	HEXAGON BOLT		2	
8	TE254.581H-02	OIL FILTER FRONT BRACKET		1	
9	TE254.581H-01	OIL SUCTION HOSE		1	
10	GBT5783-M8X40-8.8-A2L	HEXAGON BOLT		3	
11	TE254.581H.1	OIL SUCTION PIPE WELDMENT OF PUMP		1	
12	TE254.581H.2	OIL OUTLET PIPE ASSEMBLY OF PUMP		1	
13	GBT3452.1-21.2X1.80G	RUBBER O-SEAL RING		1	
14	FT254.58.010	CBJ30-E14L GEAR PUMP		1	
15	JBT982-18	COMBINED SEAL GASKET		1	
16	FT804.58.112	STRAIGHT PIPE JOINT BODY		1	
17	FT254.58.132	HOLLOW BOLT M24X1.5		1	
18	JBT982-24	COMBINED SEAL GASKET		2	

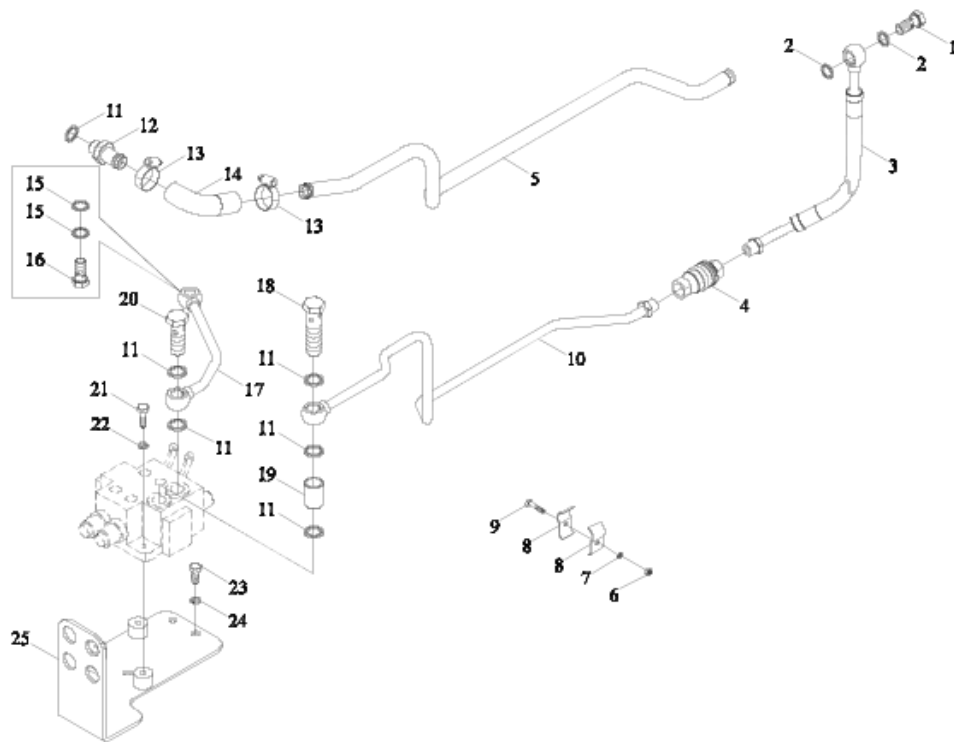
TE254. 582H MULTI-WAY VALVE OIL PIPE ASSEMBLY-1



TE254. 582H MULTI-WAY VALVE OIL PIPE ASSEMBLY-1

No.	Part No.	Description	Version	QTY.	Remark
1	GBT819.2-M5X20-8.8-A2L	SCREW		4	
2	GBT5783-M6X35-8.8-A1L	HEXAGON BOLT		2	
3	GBT93-6-A0P	STANDARD SPRING WASHER		2	
4	TE254.582H-10	STEEL PLATE MAT		1	
5	TE254.582H-09A	SEAL SLEEVE		1	
6	GBT894.1-18	CIRCLIP FOR SHAFT		2	
7	TE254.582H-07	ROTARY SHAFT		1	
8	GBT68-M4X10-4.8-A2L	SLOTTED SCREW		2	
9	TB504.552-04	HANDLE HEAD		2	
10	TE254.582H.12a	MULTI-WAY VALVE CONTROL LEFT HANDLE PRESSURE UNIT		1	
10.1	TE254.582H.12a.1	MULTI-WAY VALVE LEFT CONTROL ROD WELDMENT		1	
10.2	TE254.582H.11-01	NYLON SLEEVE		1	
11	TE254.582H.11a	MULTI-WAY VALVE CONTROL RIGHT HANDLE PRESSURE UNIT		1	
11.1	TE254.582H.11a.1	RIGHT CONTROL ROD WELDMENT		1	
11.2	TE254.582H.11-01	NYLON SLEEVE		1	
12	TE254.582H-08	STEP BOLT		2	
13	GBT97.1-8-A0P	FLAT WASHER		2	
14	GBT6174-M6-110HV30-A2L	HEXAGON THIN NUT		2	
15	TE254.582H-05	MULTI-WAY VALVE CONTROL RIGHT CONNECTING ROD		1	
16	TE254.582H-06	MULTI-WAY VALVE CONTROL LEFT CONNECTING ROD		1	
17	GBT882-B5X18	PIN SHAFT		4	
18	GBT97.1-5-A0P	FLAT WASHER		4	
19	GBT91-2X14-A0P	SPLIT PIN		4	
20	TE254.582H.2	MULTI-WAY VALVE ASSEMBLY		1	
21	GBT93-5-A0P	STANDARD SPRING WASHER		4	
22	GBT6170-M5-8-A2L	HEXAGON NUT, TYPE-1		4	

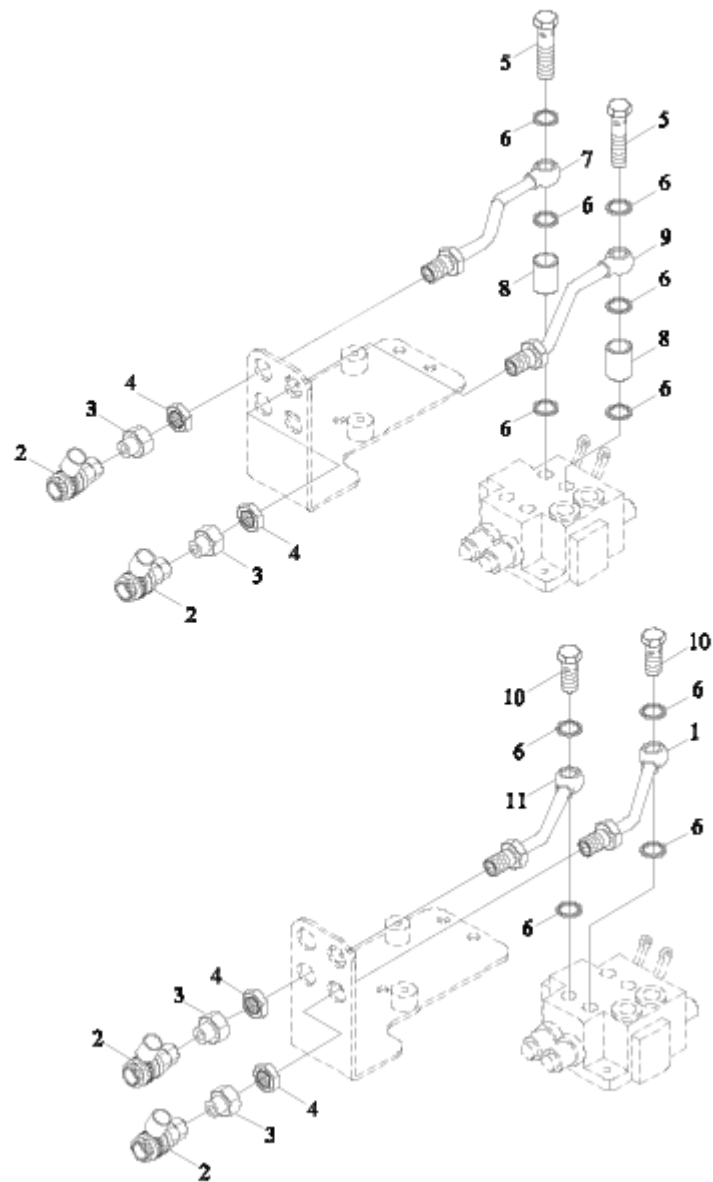
TE254. 582H MULT I-WAY VALVE OIL PIPE ASSEMBLY-2



TE254. 582H MULTI-WAY VALVE OIL PIPE ASSEMBLY-2

No.	Part No.	Description	Version	QTY.	Remark
1	FT650.40.102	HOLLOW BOLT M20X1.5		1	
2	JBT982-20	COMBINED SEAL GASKET		2	
3	TE254.582H.10	STEADY FLOW VALVE OIL OUTLET PIPE WELDMENT		1	
4	FT354.58A.030	QUICK CHANGING JOINT		5	
5	TE254.582H-01	OIL SUCTION STEEL PIPE		1	
6	GBT6170-M6-8-A2L	HEXAGON NUT, TYPE-1		2	
7	GBT93-6-A0P	STANDARD SPRING WASHER		2	
8	FT254.58.033	OIL PIPE CLAMP AND RUB- BER WASHER		4	
9	GBT5781-M6X30-4.8-A2L	HEXAGON BOLT		2	
10	TE254.582H.8	MULTI-WAY VALVE OIL IN- LET PIPE WELDMENT		1	
11	JBT982-22	COMBINED SEAL GASKET		6	
12	TE254.582H.7	STRAIGHT JOINT WELDMENT		1	
13	Q67638	B-TYPE WORM TRANSMIS- SION HOSE CLAMP		2	
14	TE254.582H-02	OIL SUCTION RUBBER HOSE		1	
15	JBT982-18	COMBINED SEAL GASKET		12	
16	FT654.58.112	HOLLOW BOLT -3		3	
17	TE254.582H.9	DISTRIBUTOR OIL INLET PIPE WELDMENT		1	
18	TE254.582H-04	HOLLOW BOLT		1	
19	TE254.582H-03	LONG SLEEVE		1	
20	FT654.58.107	HOLLOW BOLT -1		1	
21	GBT5783-M10X30-8.8-A3L	HEXAGON BOLT		3	
22	GBT93-10-A0P	STANDARD SPRING WASHER		3	
23	GBT5783-M12X30-8.8-A3L	HEXAGON BOLT		3	
24	GBT93-12-A0P	STANDARD SPRING WASHER		3	
25	TE254.582H.1A	MULTI-WAY VALVE BRACKET WELDMENT		1	

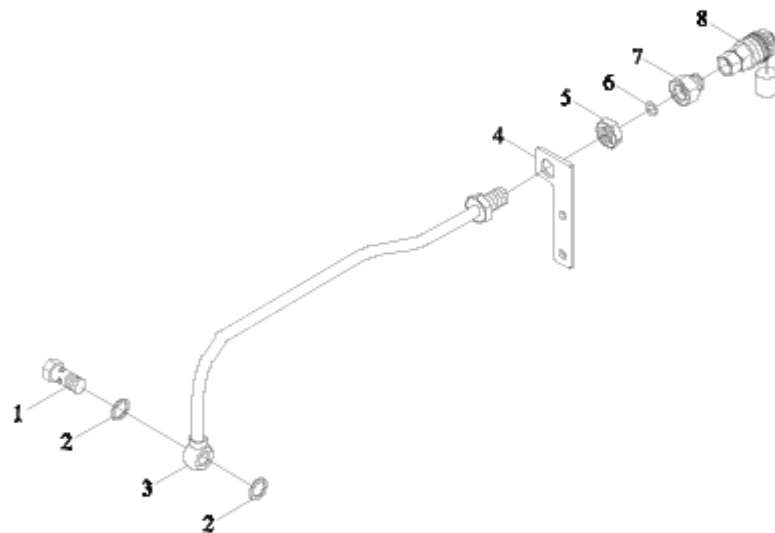
TE254. 582H MULTI-WAY VALVE OIL PIPE ASSEMBLY-3



TE254. 582H MULTI-WAY VALVE OIL PIPE ASSEMBLY-3

No.	Part No.	Description	Version	QTY.	Remark
1	TE254.582H.4	MULTI-WAY VALVE OIL OUTPUT PIPE WELDMENT II		1	
2	FT354.58A.030	QUICK CHANGING JOINT		4	
3	FT354.58A.104	BRITISH SYSTEM OIL PIPE JOINT		4	
4	GBT6173-M22X1.5-05-A3L	HEXAGON THIN NUT		4	
5	FT654.58.113	HOLLOW BOLT -4		2	
6	JBT982-18	COMBINED SEAL GASKET		10	
7	TE254.582H.5	MULTI-WAY VALVE OIL OUTPUT PIPE WELDMENT III		1	
8	FT654.58.114	THICK WASHER-2		2	
9	TE254.582H.6A	MULTI-WAY VALVE OIL OUTPUT PIPE WELDMENT IV		1	
10	FT654.58.112	HOLLOW BOLT -3		2	
11	TE254.582H.3	MULTI-WAY VALVE OIL OUTPUT PIPE WELDMENT I		1	

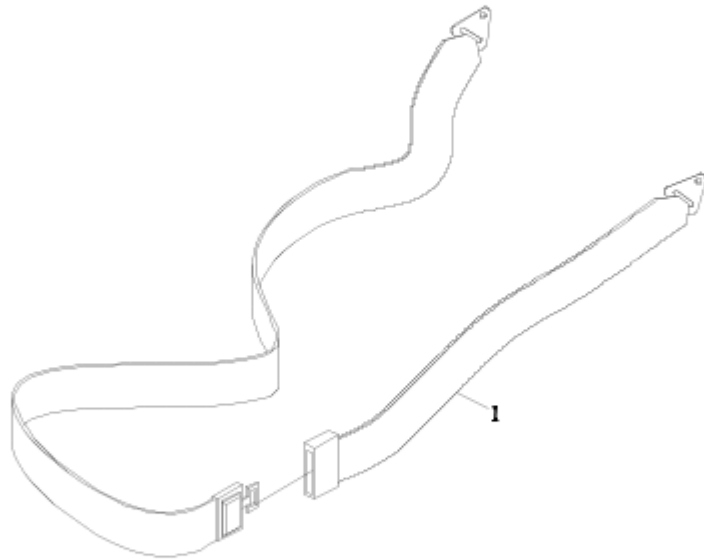
TE250. 583 SINGLE-WAY HYDRAULIC OUTPUT ASSEMBLY 1



TE250. 583 SINGLE-WAY HYDRAULIC OUTPUT ASSEMBLY 1

No.	Part No.	Description	Version	QTY.	Remark
1	FT654.58.112	HOLLOW BOLT -3		1	
2	JBT982-18	COMBINED SEAL GASKET		2	
3	TE250.583.1	HYDRAULIC OIL OUTPUT PIPE WELDMENT		1	
4	TE250.583-01	HYDRAULIC OIL OUTPUT PIPE BRACKET		1	
5	GBT6173-M22X1.5-05-A3L	HEXAGON THIN NUT		1	
6	GBT3452.1-12.5X2.65G	RUBBER O-SEAL RING		1	
7	FT354.58A.104	BRITISH SYSTEM OIL PIPE JOINT		1	
8	FT354.58A.030	QUICK CHANGING JOINT		1	

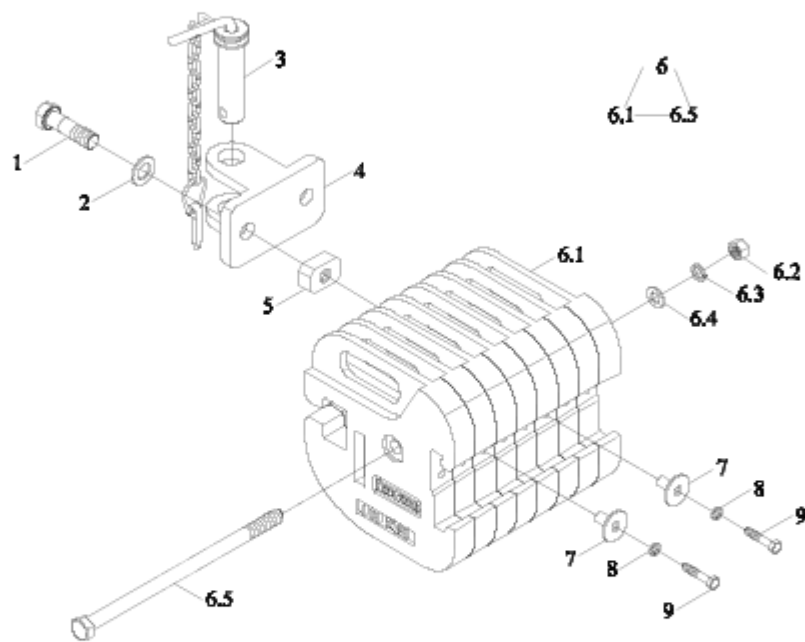
TA600. 62 SAFETY BELT INSTALLATION ASSEMBLY



TA600.62 SAFETY BELT INSTALLATION ASSEMBLY

No.	Part No.	Description	Ver- sion	QTY.	Remark
1	TA600.62	SAFETY BELT		1	

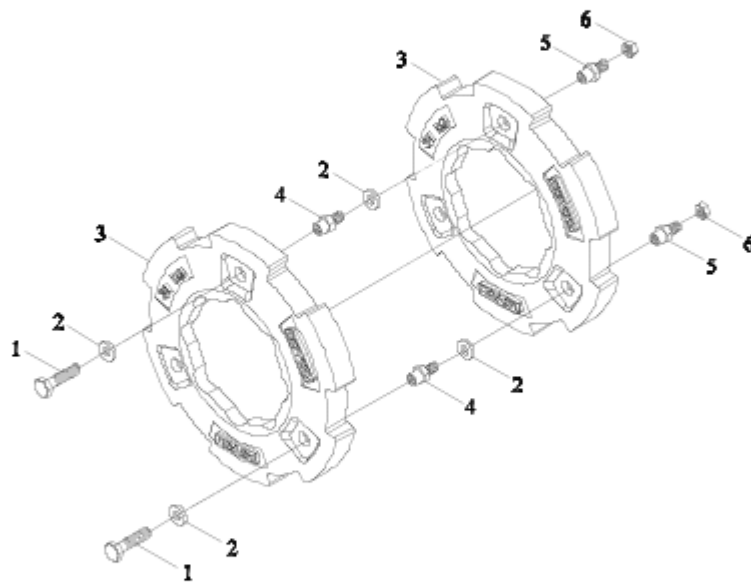
TE254. 742 FRONT BALLAST ASSEMBLY



TE254. 742 FRONT BALLAST ASSEMBLY

No.	Part No.	Description	Version	QTY.	Remark
1	TE254.742-04	TOWING BOLT		2	
2	GBT97.1-20-A0P	FLAT WASHER		2	
3	TB400.74A.2	TOWING PIN AND LOCK PIN ASSEMBLY		1	
4	TE254.742-02	TOWING LUG		1	
5	FT650.74.108	TOWING NUT		2	
6	TE254.742.2	FRONT BALLAST SMALL ASSEMBLY		1	
6.1	TE254.742-01	BALLAST BLOCK		8	
6.2	GBT6170-M16-8-A3L	HEXAGON NUT, TYPE-1		1	
6.3	GBT93-16-A0P	STANDARD SPRING WASHER		1	
6.4	GBT97.1-16-A0P	FLAT WASHER		1	
6.5	TE254.742-03	CONNECTING BOLT		1	
7	TE254.742.3	BASE PLATE		2	
8	GBT93-10-A0P	STANDARD SPRING WASHER		2	
9	GBT5783-M10X45-8.8-A3L	HEXAGON BOLT		2	

FT250. 91B. 001 REAR BALLAST ASSEMBLY



FT250. 91B. 001 REAR BALLAST ASSEMBLY

No.	Part No.	Description	Ver- sion	QTY.	Remark
	FT250.91B.001	REAR BALLAST ASSEMBLY			
1	TE350.91-04	HEXAGON BOLT		3	
2	FT650.34.104	WASHER		6	
3	FT250.91B.101	REAR BALLAST		2	
4	FT250.91B.103	BALLAST SCREW II		3	
5	FT250.91B.102	BALLAST SCREW I		3	
6	GBT6171-M16X1.5-8-A3L	HEXAGON NUT, TYPE-1		3	