



Parts Catalogue of Foton

(TL1A254-002C)

Foton Lovol International Heavy Industries Co.,Ltd

目录 CONTENTS

序号 No.	代码 Code	名称 Description	页次 Page
1	TE250.11J	11-AIR CLEANER ASSEMBLY	1
2	TE250.13	13-COOLING SYSTEM ASSEMBLY	3
3	TE254.133D	GUARD PLATE	5
4	FT250.20B.017ZC	20-CHOKE WIRE ASSEMBLY	7
5	TE254.201B	20.1-HAND THROTTLE ASSEMBLY	9
6	TE254.202A	20.2-FOOT THROTTLE ASSEMBLY	11
7	TE250.212D	21.2-CLUTCH CONTROL ASSEMBLY	13
8	TE250.22	22-EXHAUST SYSTEM ASSEMBLY	17
9	TE254.311G-1	FRONT DRIVING AXLE ASSEMBLY-1	19
10	TE254.312K	31.2-BRACKET ASSEMBLY	23
11	TE254.311G-2.1	FRONT DRIVING AXLE ASSEMBLY-2.1	25
12	TE254.311G-2.2	FRONT DRIVING AXLE ASSEMBLY-2.2	29
13	TE254.313G	31.3-FRONT SUPPORT SEAT ASSEMBLY	33
14	TE254.311G-3.1	FRONT DRIVING AXLE ASSEMBLY-3.1	35
15	TE254.311G-3.2	FRONT DRIVING AXLE ASSEMBLY-3.2	39
16	TE254.314G	31.4-REAR SUPPORTING SEAT ASSEMBLY	41
17	TE254.311G-4.1	FRONT DRIVING AXLE ASSEMBLY-4.1	43
18	TE254.311G-4.2	FRONT DRIVING AXLE ASSEMBLY-4.2	47
19	TE254.311G-5	FRONT DRIVING AXLE ASSEMBLY-5	51
20	TE254.311G-6	FRONT DRIVING AXLE ASSEMBLY-6	55
21	TE284.32F	32-FRONT DRIVING WHEEL ASSEMBLY	59
22	FT250.34F.001	34-REAR DRIVE WHEEL ASSEMBLY	61
23	TE250.35C	35-TRACTION EQUIPMENT MOUNTING ASSEMBLY	63
24	TE254.361B-1	SHUTTLE GEARSHIFT ASSEMBLY-1	65
25	TE254.361B-2	SHUTTLE GEARSHIFT ASSEMBLY-2	69

目录 CONTENTS

序号 No.	代码 Code	名称 Description	页次 Page
26	TE250.362M	36.2-SHUTTLE SHIFT CONTROL MECHANISM ASSEMBLY	71
27	TE254.361B-3	SHUTTLE GEARSHIFT ASSEMBLY-3	75
28	TE250.371F-1	37.1TRANSMISSION ASSEMBLY-1	79
29	TE250.371F-2	37.1TRANSMISSION ASSEMBLY-2	81
30	TE250.371F-3	TRANSMISSION CASE ASSEMBLY-3	83
31	TE250.372F-1	TRANSMISSION REAR CENTER ASSEMBLY-1	87
32	TE250.372F-2	TRANSMISSION REAR CENTER ASSEMBLY-2	91
33	TE250.373F-1	TRANSMISSION CONTROL MECHANISM ASSEMBLY-1	95
34	TE250.373F-2	TRANSMISSION CONTROL MECHANISM ASSEMBLY-2	99
35	TE250.373F-3	TRANSMISSION CONTROL MECHANISM ASSEMBLY-3	101
36	TE250.391C	39.1-FINAL TRANSMISSION ASSEMBLY (LEFT)	105
37	TE250.392C	39.2-FINAL TRANSMISSION ASSEMBLY (RIGHT)	107
38	TE254.403B-1	ADJUSTABLE STEERING COLUMN INSTALLATION	109
39	TE250.401AZC	40.1-STEERING WHEEL ASSEMBLY	111
40	TE254.403B-2	ADJUSTABLE STEERING COLUMN INSTALLATION	113
41	TE254.402F-1	STEERING PIPE ASSEMBLY-1	115
42	TE254.402F-2	STEERING PIPE ASSEMBLY-2	117
43	TE250.411B	DOUBLE POWER OUTPUT ASSEMBLY	119
44	TE254.421B	42.1-TRANSFER CASE ASSEMBLY	121
45	TE254.422A	42.2-TRANSFER CASE TRANSMISSION ASSEMBLY	125
46	TE254.423C	42.3-TRANSFER CASE CONTROL ASSEMBLY	127
47	TE250.431	43.1-BRAKE ASSEMBLY	131
48	TE250.433C-1	BRAKE CONTROL ASSEMBLY-1	133
49	TE250.433C-2	BRAKE CONTROL ASSEMBLY-2	135
50	TE250.433C-3	BRAKE CONTROL ASSEMBLY-3	139

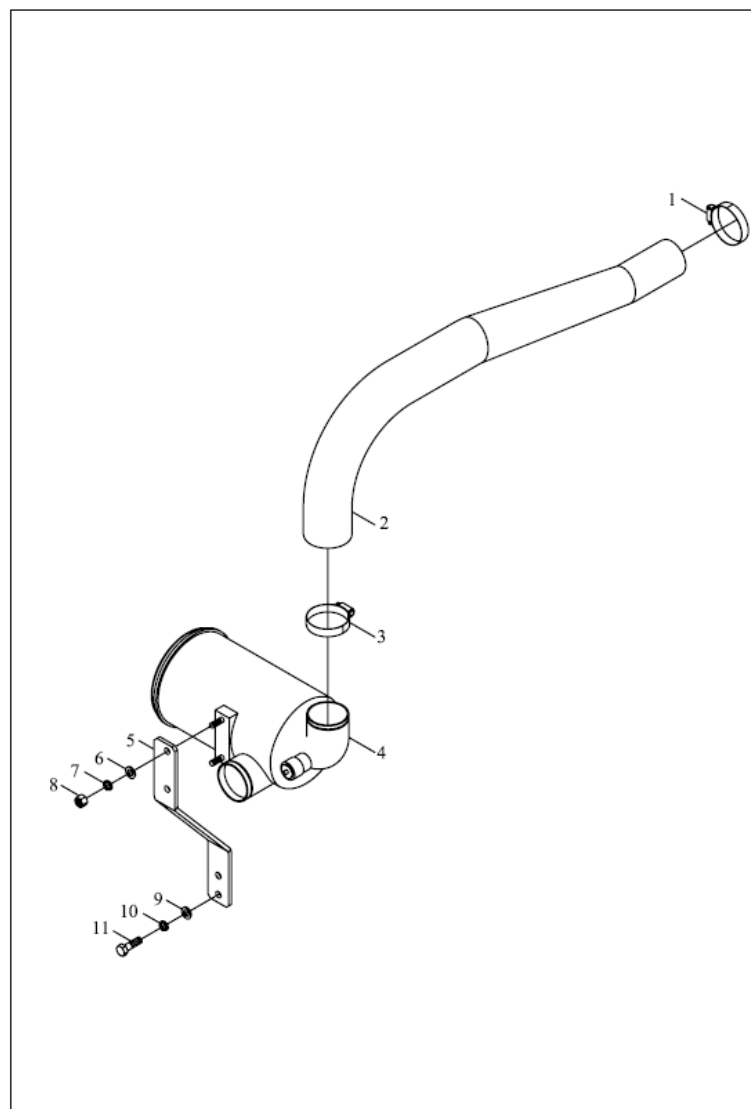
目录 CONTENTS

序号 No.	代码 Code	名称 Description	页次 Page
51	TE250.44E	44SEAT INSTALLATION ASSEMBLY	141
52	TE254.458	45.8-REAR CONNECTING ASSEMBLY	143
53	TE250.46R	46-SAFETY FRAME ASSEMBLY	145
54	TE250.46F	46-SAFETY FRAME ASSEMBLY	149
55	TE250.471C	47.1-BONNET INSTALLATION ASSEMBLY	151
56	TE250.472F-1	FLOOR INSTALLATION ASSEMBLY-1	155
57	TE250.472F-2	FLOOR INSTALLATION ASSEMBLY-2	157
58	TE300.473	47.3-FRONT MUD GUARD INSTALLATION ASSEMBLY	159
59	TE250.474D	47.4-DASHBOARD INSTALLATION ASSEMBLY	161
60	TE250.474A	47.4-DASHBOARD INSTALLATION ASSEMBLY	163
61	TE250.477	47.7-BONNET LOCK INSTALLATION ASSEMBLY	165
62	TE250.481	48.1-ENGINE HARNESS INSTALLATION ASSEMBLY	167
63	TE250.482Y	48.2-BODY HARNESS INSTALLATION ASSEMBLY	169
64	TE250.482Q	48.2-BODY HARNESS INSTALLATION ASSEMBLY	171
65	TE250.483A	48.3-FRONT LAMP HARNESS INSTALLATION ASSEMBLY	173
66	TE250.484V	48.4-REAR LAMP HARNESS INSTALLATION ASSEMBLY	175
67	TE250.487ZC	48.7-COMBINED INSTRUMENT ASSEMBLY	179
68	FT300.49.001	49-TOOL BOX ASSEMBLY	181
69	TE254.50A		183
70	TE250.56D-1	SUSPENSION MECHANISM ASSEMBLY-1	187
71	TE250.56D-2	SUSPENSION MECHANISM ASSEMBLY-2	191
72	TE250.57-1	DISTRIBUTOR AND CONTROL MECHANISM ASSEMBLY-1	195
73	TE250.57-2	DISTRIBUTOR AND CONTROL MECHANISM ASSEMBLY-2	197
74	TE254.581H	58.1-OIL PUMP/PIPE/FILTER ASSEMBLY	201
75	TE254.582H-1	MULTI-WAY VALVE OIL PIPE ASSEMBLY-1	203

目录 CONTENTS

序号 No.	代码 Code	名称 Description	页次 Page
76	TE254.582H-2	MULTI-WAY VALVE OIL PIPE ASSEMBLY-2	205
77	TE254.582H-3	OIL PIPE ASSEMBLY、MULTI-WAY VALVE-3	209
78	TE250.583	58.3-SINGLE-WAY HYDRAULIC OUTPUT ASSEMBLY 1	211
79	TE254.801	80.1-BRAKE VALVE ASSEMBLY	213
80	TE254.802	80.2-AIR CYLINDER ASSEMBLY	215
81	TE254.803	80.3-AIR CONVEYING PIPELINE ASSEMBLY	217
82	FT250.91B.001	91-REAR BALLAST ASSEMBLY	219
83	TE250.413D	PTO CONTROL ASSEMBLY	221
84	TE250.211.1	CLUTCH SUBASSEMBLY	225

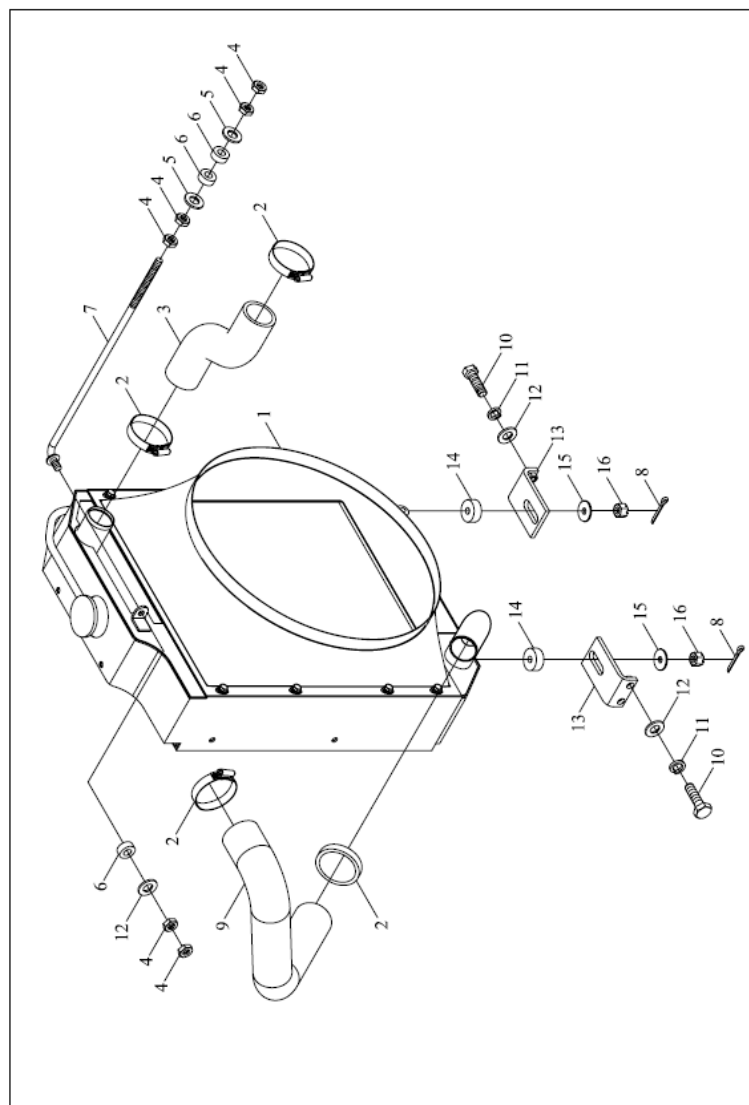
TE250.11J 空气滤清系总成



TE250.11J 11-空气滤清系总成 11-AIR CLEANER ASSEMBLY

标号 No.	代号 Code	名称 Description	数量 Quantity	备注 Remark
1	Q67664	B-TYPE WORM TRANSMISSION HOSE CLAMP	1	2011-11_
10	GBT93-10-A0P	WASHER	2	2011-11_
11	GBT5783-M10X25-8.8-A3L	BOLT	2	2011-11_
2	TE250.11F-01	AIR INLET HOSE	1	2011-11_
3	Q67676	Clip	1	2011-11_
4	TE250.11F.1	AIR FILTER ASSEMBLY	1	2011-11_
4.1	TE250.11F.1-05	AIR FILTER ELEMENT	1	2011-11_
5	TE250.11J-01	BRACKET	1	2011-11_
6	GBT97.1-8-A0P	WASHER	2	2011-11_
7	GBT93-8-A0P	WASHER	2	2011-11_
8	GBT6170-M8-A2L	NUT	2	2011-11_
9	GBT97.1-10-A0P	WASHER	2	2011-11_

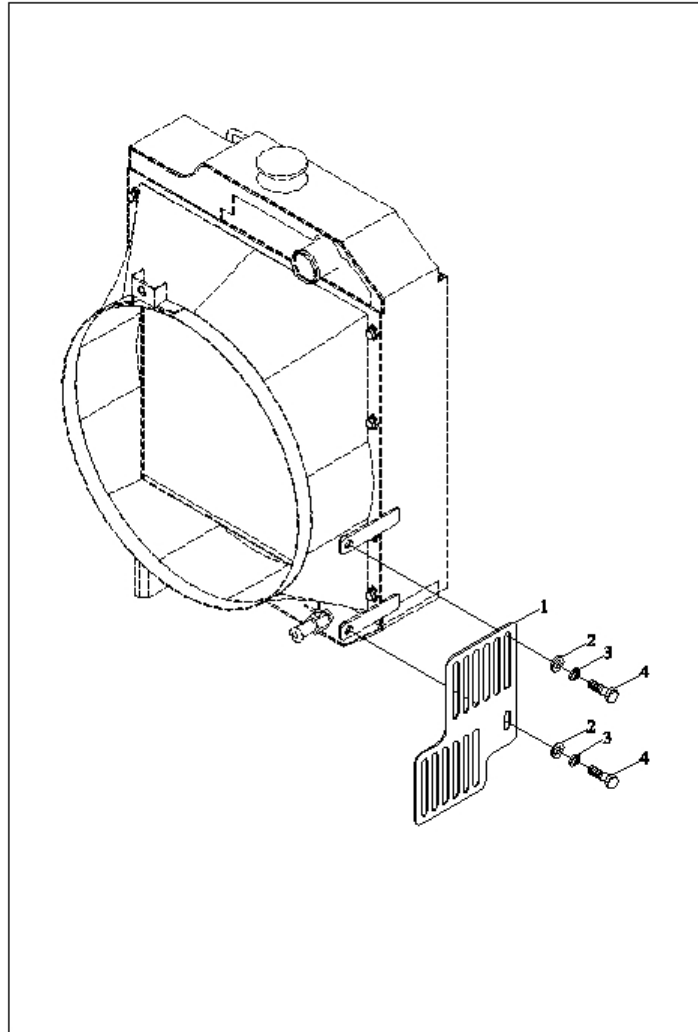
TE250.13 冷却系总成



TE250.13 13-冷却系总成 13-COOLING SYSTEM ASSEMBLY

标号 No.	代号 Code	名称 Description	数量 Quantity	备注 Remark
1	TE250.13.1	RADIATER ASSEMBLY	1	2011-11_
10	GBT5783-M8X35-A2L	BOLT	4	2004-01_
11	GBT93-8-A0P	WASHER	4	2011-11_
12	GBT97.1-8-A0P	WASHER	5	2011-11_
13	TE250.13B.2	RADIATOR BRACKET WELDMENT	2	2011-11_
14	TE250.13-03	RUBBER WASHER	2	2011-11_
15	GBT96.1-10-A0P	WASHER	2	2011-11_
16	GBT6178-M10	NUT (PAGE81)	2	2011-11_
2	Q67657	B-TYPE WORM TRANSMISSION HOSE CLAMP	4	2011-11_
3	TE250.13-04	WATER TANK INLET HOSE	1	2011-11_
4	GBT6172.1-M8-A2L	NUT	6	2011-11_
5	GBT96.1-8-A0P	WASHER	2	2011-11_
6	FT650.13.135	RUBBER PAD BLOCK	3	2011-11_
7	TE250.13B.3	RADIATOR PULL ROD WELDMENT	1	2011-11_
8	GBT91-2X20-A0P	PIN	2	2011-11_
9	TE250.13-05	WATER TANK OUTLET HOSE	1	2011-11_

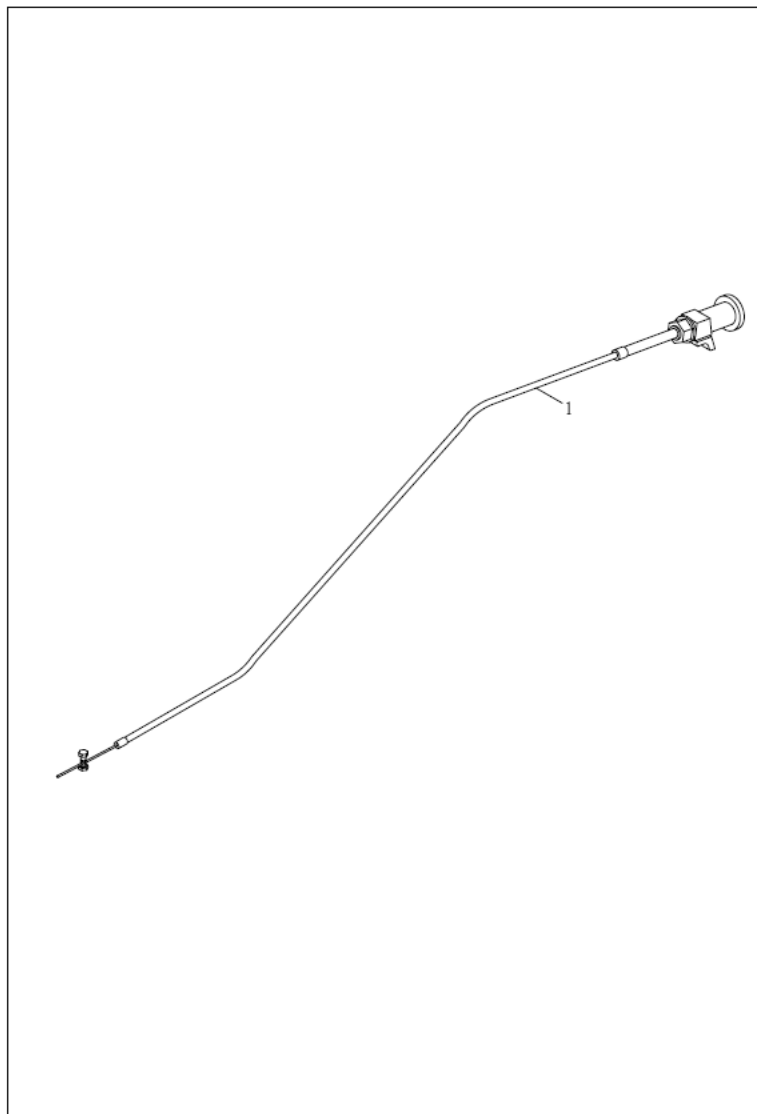
TE254.133D 水箱护网安装总成



TE254.133D 13.3-水箱护板 GUARD PLATE

标号 No.	代号 Code	名称 Description	数量 Quantity	备注 Remark
1	TE254.133-01	LEFT GUARD PLATE	1	2013-03_
2	GBT97.1-8-A0P	WASHER	2	2013-03_
3	GBT93-8-A0P	WASHER	2	2013-03_
4	GBT5783-M8X20-8.8-A2L	BOLT	2	2013-03_

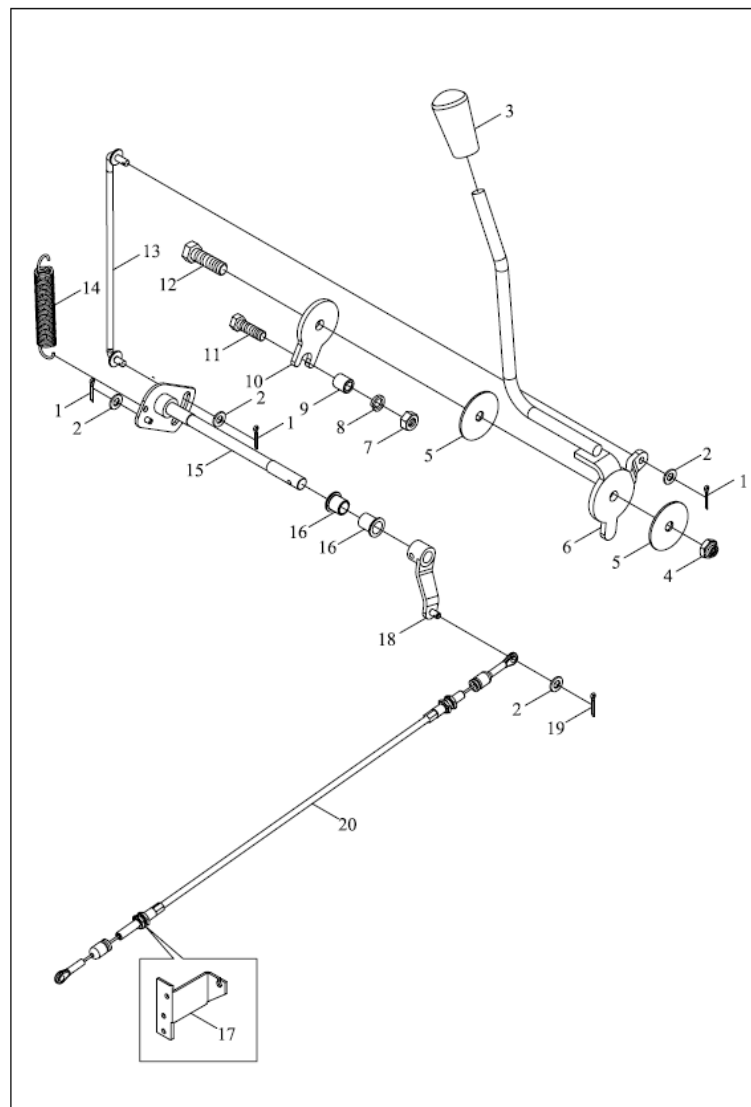
FT250.20B.017 熄火拉线总成



FT250.20B.017ZC 20-熄火拉线总成 20-CHOKE WIRE ASSEMBLY

标号 No.	代号 Code	名称 Description	数量 Quantity	备注 Remark
1	FT250.20B.017	EXTINGUISH WIRE ASSEMBLY	1	

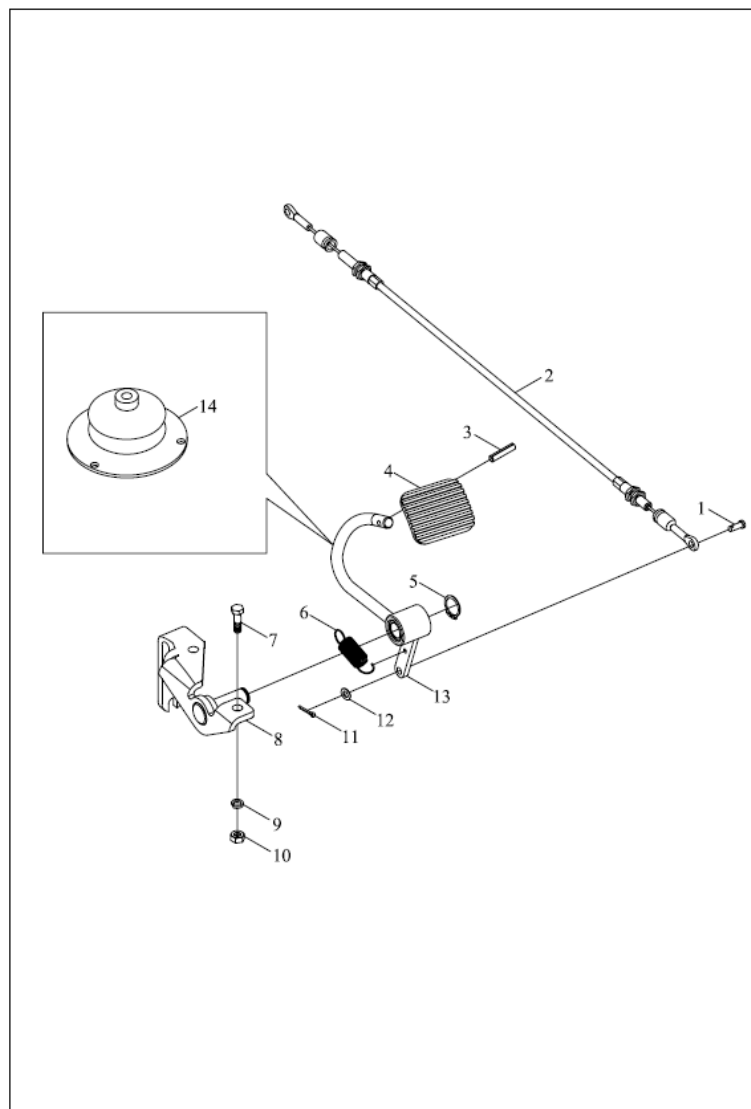
TE254.201B 手油门总成



TE254.201B 20.1-手油门总成 20.1-HAND THROTTLE ASSEMBLY

标号 No.	代号 Code	名称 Description	数量 Quantity	备注 Remark
1	GBT91-2X10-A0P	PIN	3	2011-11_
10	LA754.201-02	LIMIT PLATE	1	2011-11_
11	GBT5783-M8X35-A2L	BOLT	1	2013-08_
12	GBT5783-M10X40-A3L	BOLT	1	2011-11_
13	TE254.201A.1a	WELDED PUSHING ROD	1	2011-11_
14	GBT2088-LⅢB-2X16X112	SPRING	1	2011-11_
15	LA754.201.3	WELDED TURNING ARM	1	2011-11_
15	LA754.201.3	WELDED TURNING ARM	1	2011-11_
16	LA754.201-05	NYLON BUSH	2	2011-11_
17	FT250.20.107	SUPPOT BRACKET	1	2011-11_
18	LA754.201.4	WIRE ROCKER WELDMENT	1	2011-11_
19	GBT91-2X12-A0P	PIN	1	2011-11_
2	GBT97.1-6-A0P	WASHER	4	2011-11_
20	TE254.201A-01	ENGINE THROTTLE WIRE	1	2011-11_
3	LA754.201-01	HANDLE	1	2011-11_
4	GBT1337-M10	NUT	1	2011-11_
5	LA754.201-03	ATTRITION DISK	2	2011-11_
6	TE254.201A.2	ROCKER WELDMENT	1	2011-11_
7	GBT6170-M8-A2L	NUT	1	2011-11_
8	GBT93-8-A0P	WASHER	1	2011-11_
9	LA754.201-04	LIMITING SLEEVE	1	2011-11_

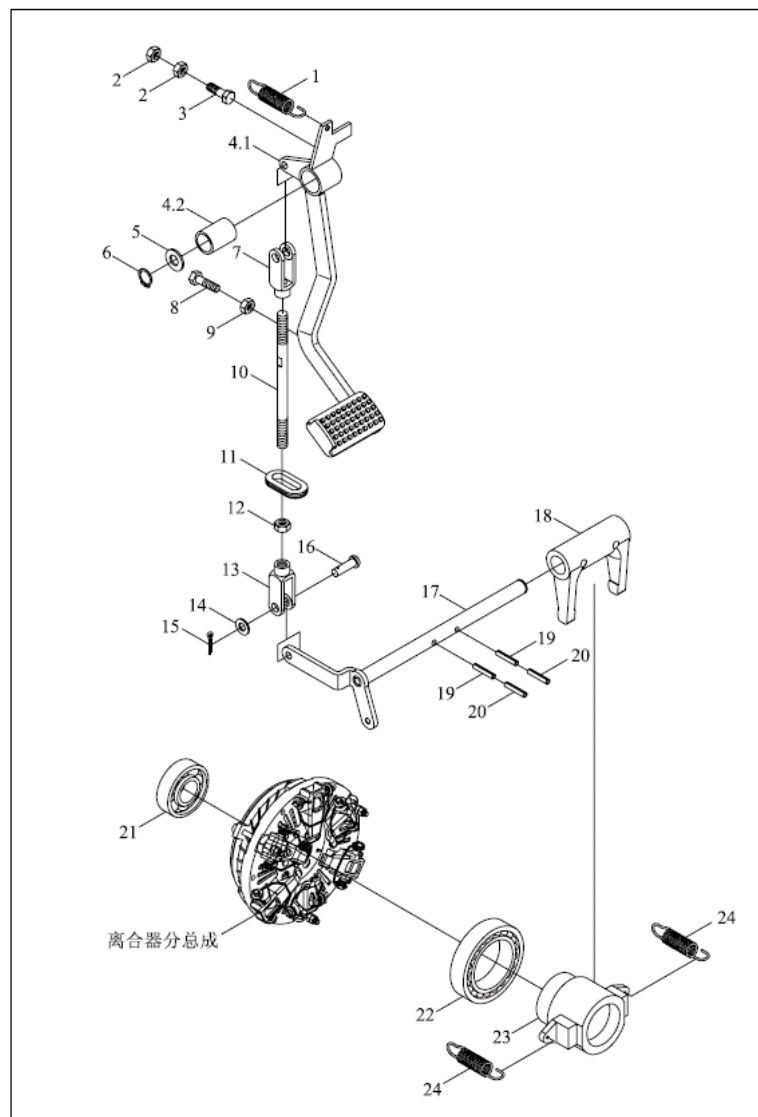
TE254.202A 脚油门总成



TE254.202A 20.2-脚油门总成 20.2-FOOT THROTTLE ASSEMBLY

标号 No.	代号 Code	名称 Description	数量 Quantity	备注 Remark
1	GBT882-B6X16	PIN	1	2011-11_
10	GBT6170-M8-A2L	NUT	2	2011-11_
11	GBT91-2X12-A0P	PIN	1	2011-11_
12	GBT97.1-6-A0P	WASHER	1	2011-11_
13	TE254.202A.2	ROCKER WELDMENT	1	2011-11_
14	FT65.45.393	THROTTLE PEDAL SEAL SLEEVE	1	2011-11_
2	TE254.202A-02	FOOT THROTTLE WIRE ASSEMBLY	1	2011-11_
3	GBT879.1-5X16	PIN	1	2011-11_
4	TE254.202A-01	FOOT PEDAL	1	2011-11_
5	GBT894.1-13	SNAP RING	1	2011-11_
6	TE254.202A-03	FOOT THROTTLE RETURN SPRING	1	2011-11_
7	GBT5783-M8X20-A2L	BOLT	2	2011-11_
8	TE254.202A.1	FIXING BRACKET WELDMENT	1	2011-11_
9	GBT93-8-A0P	WASHER	2	2011-11_

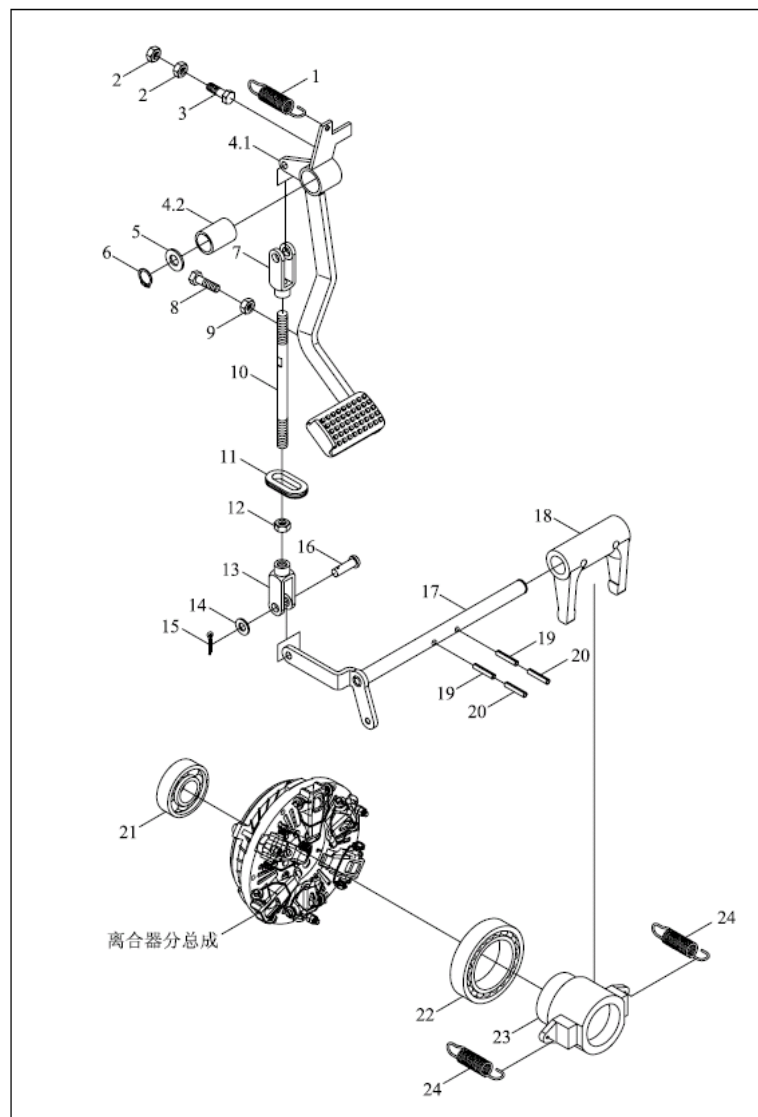
TE250.212D 离合器操纵总成



TE250.212D 21.2-离合器操纵总成 21.2-CLUTCH CONTROL ASSEMBLY

标号 No.	代号 Code	名称 Description	数量 Quantity	备注 Remark
1	FT200.21.101	CLUTCH PEDAL SPRING	1	2004-01_
1	TE250.212D-05	CLUTCH PEDAL RETURN SPRING	1	2009-02_
10	TE250.212D-03	PULL ROD	1	2011-11_
11	TE250.212D-04a	RUBBER RING	1	2008-08_
11	TE250.212D-04	RUBBER RING	1	2004-01_
12	GBT6172.1-M10-LH-A3L	NUT	1	2011-11_
13	FT300.43.110	PULL ROD REAR FORK	1	2011-11_
14	GBT97.1-10-A0P	WASHER	2	2011-11_
15	GBT91-3.2X22-A0P	PIN	2	2011-11_
16	GBT882-B10X30-A0P	PIN	2	2011-11_
17	TE250.212D.2	CLUTCH RELEASE ROCKER WELDMENT	1	2004-01_
17	TE250.212D.2a	CLUTCH RELEASE ROCKER WELDMENT	1	2009-04_
18	FT200.21.107	CLUTCH FORK	1	2011-11_
18	FT200.21.105a	CLUTCH FORK	1	2009-04_
19	GBT879.1-5X32	PIN	2	2011-11_
2	GBT6172.1-M10-A3L	NUT	2	2011-11_
20	GBT879.1-8X32	PIN	2	2011-11_
21	GBT276-6203-2Z	BEARING	1	2011-11_
22	TE250.212B-01	BEARING	1	2011-11_
23	FT200.21B.103	RELEASE BEARING SEAT	1	2011-11_
24	FT200.21.106	RETURN SPRING OF RELEASE BEARING SEAT	2	2011-11_
3	GBT5781-M10-A3L	BOLT	1	2011-11_
4	TE250.212D.1a	CLUTCH PEDAL ROCKER UNIT	1	2011-11_
4.1	TE250.212D.1.1	CLUTCH PEDAL ROCKER WELDMENT	1	2011-11_
4.2	TE250.212D.1-01	PEDAL SHAFT BUSH	1	2011-11_

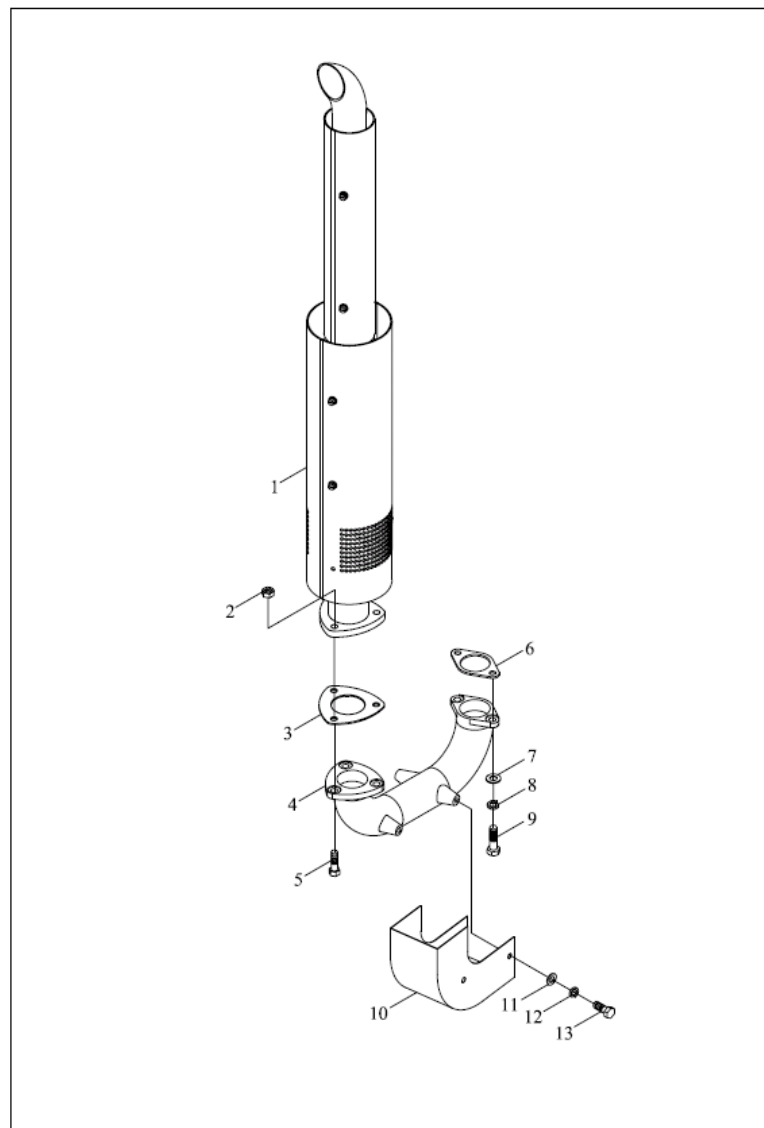
TE250.212D 离合器操纵总成



TE250.212D 21.2-离合器操纵总成(续)

标号 No.	代号 Code	名称 Description	数量 Quantity	备注 Remark
5	GBT97.1-24-A0P	WASHER	1	2011-11_
5	GBT97.1-24-A0P	WASHER	1	2011-11_
6	GBT894.1-25	RETAINER RING	1	2011-11_
7	FT300.43.108	PULL ROD FRONT FORK	1	2011-11_
8	GBT5781-M10X50-A3L	BOLT	1	2011-11_
9	GBT6170-M10-A3L	NUT	1	2011-11_

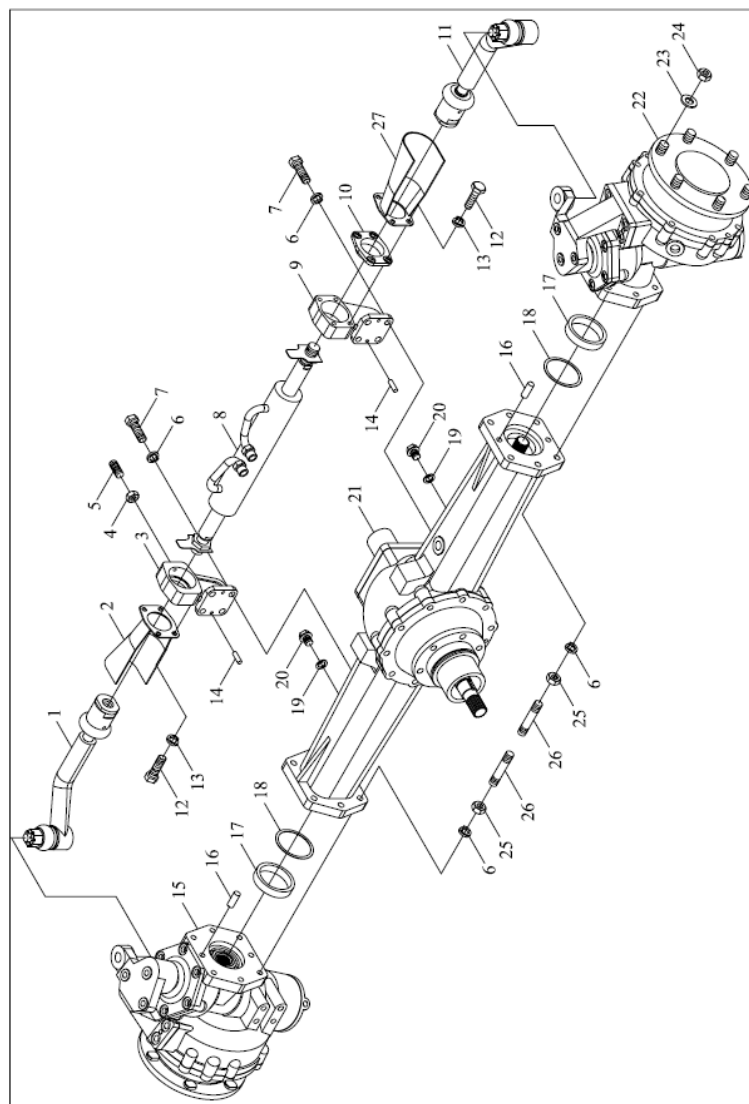
TE250.22 排气系总成



TE250.22 22-排气系总成 22-EXHAUST SYSTEM ASSEMBLY

标号 No.	代号 Code	名称 Description	数量 Quantity	备注 Remark
1	TE250.22.1	MUFFLER ASSEMBLY	1	2011-11_
10	TE250.22-03	EXHAUST PIPE SHIELD NET	1	2011-11_
11	GBT97.1-8-A0P	WASHER	4	2011-11_
12	GBT93-8-A0P	WASHER	4	2011-11_
13	GBT5783-M8X16-A2L	BOLT	4	2011-11_
2	SPL6175PT-M10X1.5-8F3	HEXAGON SELF-LOCKING NUT、 STYLE 2	3	2011-11_
2	GBT6184-M8	1-HEXAGON BLOCKNUT	3	2007-04_
3	FT250.22.030	SEAL GASKET UNIT	1	2011-11_
4	TE250.22-01	EXHAUST BENDING PIPE	1	2007-06_
4	FT250.22B.111	EXHAUST BENDING PIPE	1	2004-01_
5	GBT5783-M10X40-A3L	BOLT	3	2011-11_
6	FT250.22C.030	SEAL GASKET UNIT	1	2011-11_
7	GBT97.1-10-A0P	WASHER	2	2011-11_
8	GBT93-10-A0P	WASHER	2	2011-11_
9	GBT5783-M10X30-A3L	BOLT	2	2011-11_

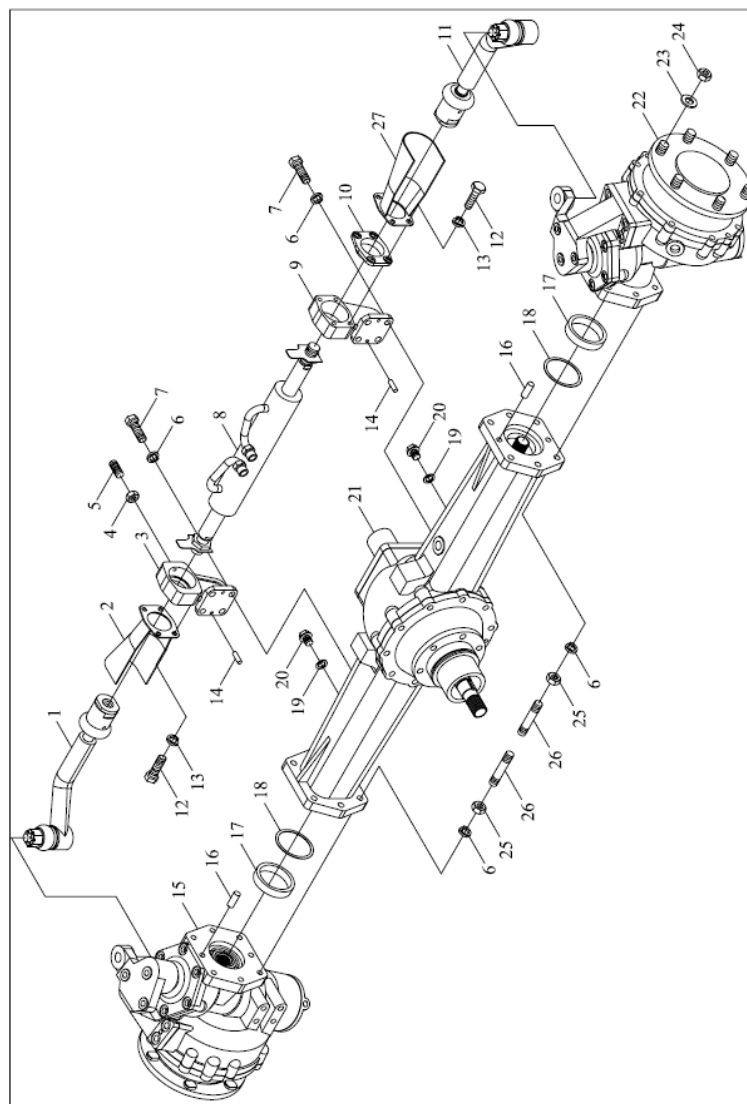
TE254.311G 前驱动桥总成-1



TE254.311G-1 31.1-前驱动桥总成-1 FRONT DRIVING AXLE ASSEMBLY-1

标号 No.	代号 Code	名称 Description	数量 Quantity	备注 Remark
1	TE254.311G.5	LEFT STEERING HORIZONTAL PULL ROD ASSEMBLY	1	2011-11_
10	TE254.311G-01	SEAT COVER	1	2011-11_
11	TE254.311G.6	RIGHT STEERING CROSS PULL ROD ASSEMBLY	1	2011-11_
12	GBT5783-M8X20-A2L	BOLT	8	2011-11_
13	GBT93-8-A0P	WASHER	8	2011-11_
14	GBT119.1-6h8X14-A0P	PIN	4	2011-11_
15	TE254.311G.1	LEFT TRANSMISSION ASSEMBLY	1	2011-11_
16	GBT119.1-10h8X20-A0P	PIN	4	2011-11_
17	FT254.31F.123	LOCATING SLEEVE	2	2011-11_
18	FT254.31F.124	ADJUSTING GASKET	1	2011-11_
19	JB982-14	COMBINED GASKET	2	2011-11_
19	JB982-14	COMBINED SEAL GASKET	2	2011-11_
2	TE254.311J.6	OIL CYLINDER BONNET WELDMENT (LEFT)	1	2011-11_
20	Q617B	HEXAGON SCREW PLUG 14	2	2011-11_
21	TE254.311G.3	MAIN REDUCER BOX ASSEMBLY	1	2011-11_
22	TE254.311G.2	RIGHT TRANSMISSION ASSEMBLY	1	2011-11_
23	GBT97.1-14-A0P	WASHER	12	2011-11_
24	GBT6176-M14X1.5-A3L	HEXAGON NUT, TYPE-2	12	2011-11_
25	GBT6171-M10X1.25-A2L	NUT	12	2011-11_
25	GBT6171-M10X1.25-A2L	NUT	12	2011-11_
26	GBT899-AM10-M10X1.25X35-8.8-A2L	8.8-A3L STUD	12	2011-11_
27	TE254.311J.7	OIL CYLINDER BONNET WELDMENT (RIGHT)	1	2011-11_
3	TE254.311G-03	OIL CYLINDER FIXING SEAT II	1	2011-11_
4	GBT6174-M6-A2L	NUT	1	2011-11_
5	GBT71-M6X20	SCREW	1	2011-11_

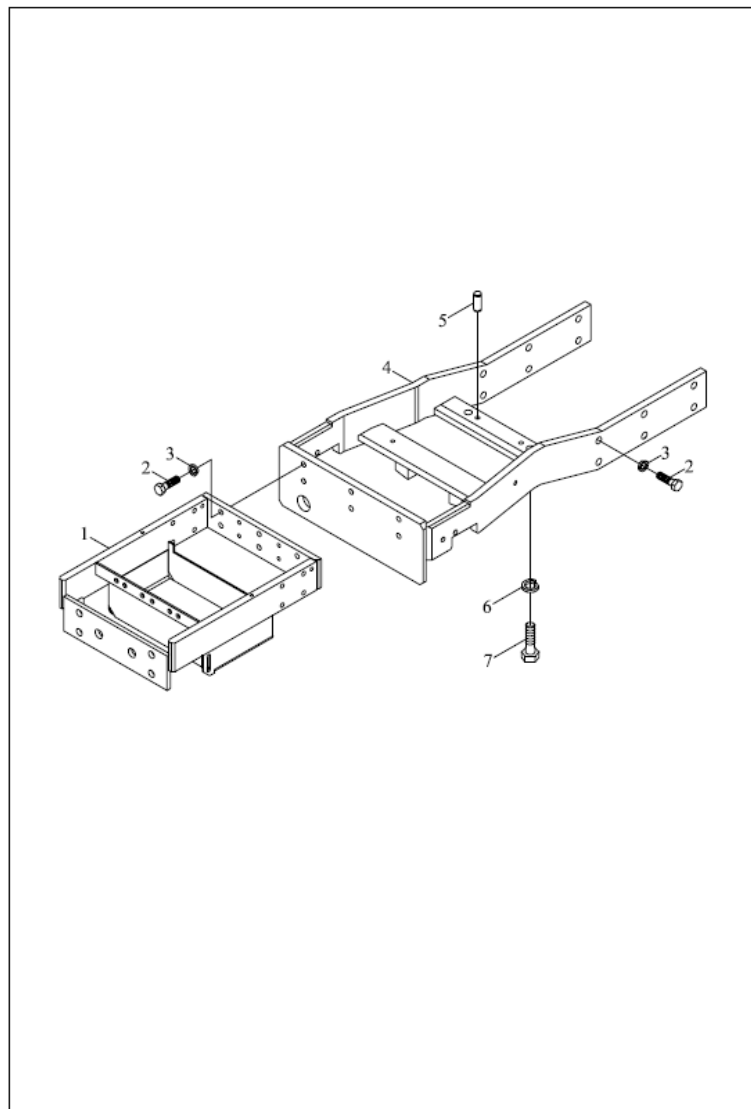
TE254.311G 前驱动桥总成-1



TE254.311G-1 31.1-前驱动桥总成-1(续)

标号 No.	代号 Code	名称 Description	数量 Quantity	备注 Remark
6	GBT93-10-A0P	WASHER	20	2011-11_
7	GBT5783-M10X25-A3L	BOLT	8	2011-11_
8	TE254.311G.4	HYDRAULIC CYLINDER ASSEMBLY	1	2011-11_
9	TE254.311G-02	OIL CYLINDER FIXING SEAT	1	2011-11_

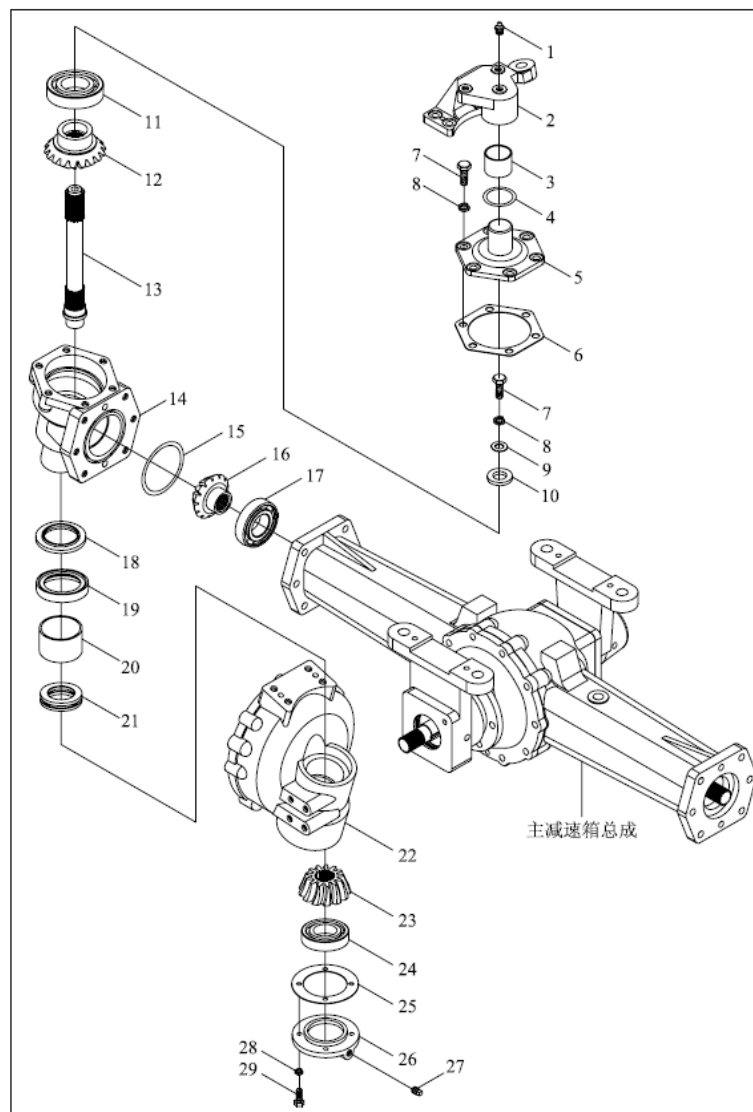
TE254.312K 托架总成



TE254.312K 31.2-托架总成 31.2-BRACKET ASSEMBLY

标号 No.	代号 Code	名称 Description	数量 Quantity	备注 Remark
1	TE254.312K.1	BATTERY BRACKET WELDMENT	1	2011-11_
2	GBT5783-M12X35-8.8-A3L	BOLT	18	2011-11_
3	GBT93-12-A0P	SPRING WASHER	18	2011-11_
4	TE254.312G.1	HALF-BRACKET WELDMENT	1	2011-11_
5	GBT119.2-8X20-A0P	PIN	4	2011-11_
6	GBT93-16-A0P	SPRING WASHER	4	2011-11_
7	GBT5783-M16X45-8.8-A3L	BOLT	4	2011-11_

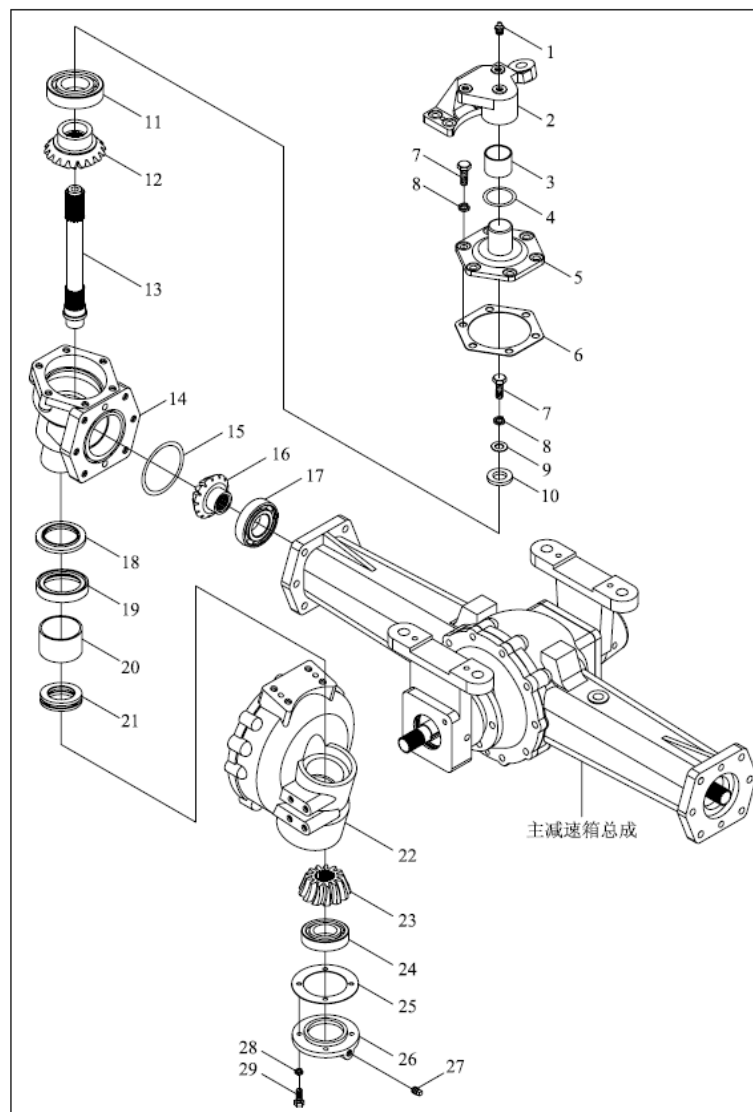
TE254.311G 前驱动桥总成-2.1



TE254.311G-2.1 31.2.1-前驱动桥总成-2.1 FRONT DRIVING AXLE ASSEMBLY-2.1

标号 No.	代号 Code	名称 Description	数量 Quantity	备注 Remark
0	TE254.311G.1	LEFT TRANSMISSION ASSEMBLY	1	2011-11_
1	JBT7940.1-M10X1	STRAIGHT PRESSURE FILLING OIL CUP	1	2011-11_
10	FT254.31F.106	WASHER	1	2011-11_
11	GBT276-6210	BEARING	1	2011-11_
12	FT254.31F.108	HALF SHAFT BIG GEAR	1	2011-11_
13	FT254.31F.119	END PIN SHAFT	1	2011-11_
14	TE254.311G.1-02	STEERING BURL HOUSING	1	2011-11_
15	JBT3452.1-80X2.65G	O-RING	1	2011-11_
15	JBT3452.1-80X2.65G	O-RING	1	2011-11_
16	FT254.31F.101	HALF SHAFT PINION	1	2011-11_
17	GBT276-6207	BEARING	1	2011-11_
18	FT254.31F.113		1	2011-11_
19	GBT9877.1-B507210D	OIL SEAL	1	2011-11_
2	TE254.311G.1-01	LEFT STEERING SUPPORT	1	2011-11_
20	FT254.31F.122	SLIDING BUSHING	1	2011-11_
21	GBT301-51106	HANDSPIKE BALL BEARING	1	2011-11_
22	FT254.31F.120	LEFT END HOUSING	1	2004-01_
22	FT254.31F.120a	LEFT END HOUSING	1	2010-11_
23	FT254.31F.118	END PINION	1	2004-01_
23	FT254.31F.118a	END PINION	1	2010-11_
24	GBT276-6305	BEARING	1	2011-11_
25	FT254.31F.117	ADJUSTING GASKET	1	2011-11_
25	FT254.31F.117	ADJUSTING GASKET	1	2011-11_
26	FT254.31F.116	BOTTOM END COVER	1	2011-11_
27	Q614B01	SQUARE HEAD TAPERED SCREW PLUG	1	2011-11_

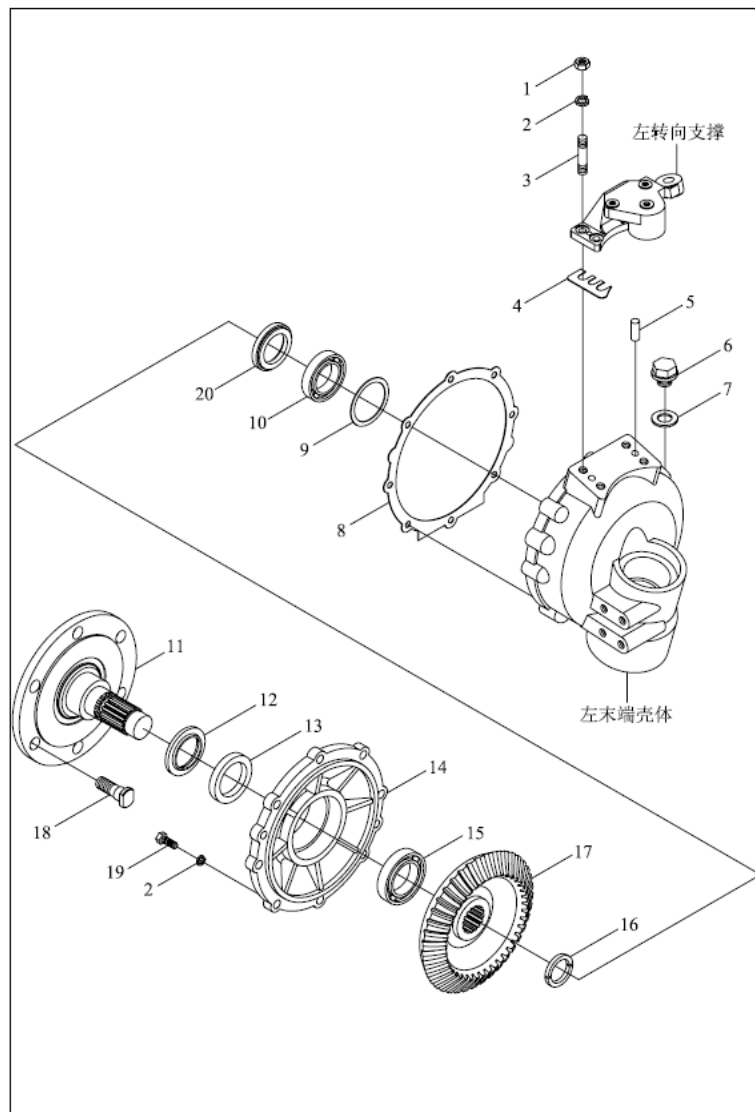
TE254.311G 前驱动桥总成-2.1



TE254.311G-2.1 31.2.1-前驱动桥总成-2.1(续)

标号 No.	代号 Code	名称 Description	数量 Quantity	备注 Remark
27	Q614B01	SQUARE HEAD TAPERED SCREW PLUG	1	2011-11_
28	GBT93-6	WASHER	4	2011-11_
29	GBT5783-M6X20-A2L	BOLT	4	2011-11_
3	FT254.31F.104	SLIDING BUSHING	1	2011-11_
4	GBT3452.1-34.5X3.55G	O-SEAL RING	1	2011-11_
5	FT254.31F.105	STEERING SHAFT SEAT	1	2011-11_
6	FT254.31F.102	SEAL GASKET	1	2011-11_
7	GBT5783-M10X25-A3L	BOLT	7	2011-11_
8	GBT93-10-A0P	WASHER	7	2011-11_
9	GBT96.1-10-A0P	WASHER	1	2011-11_

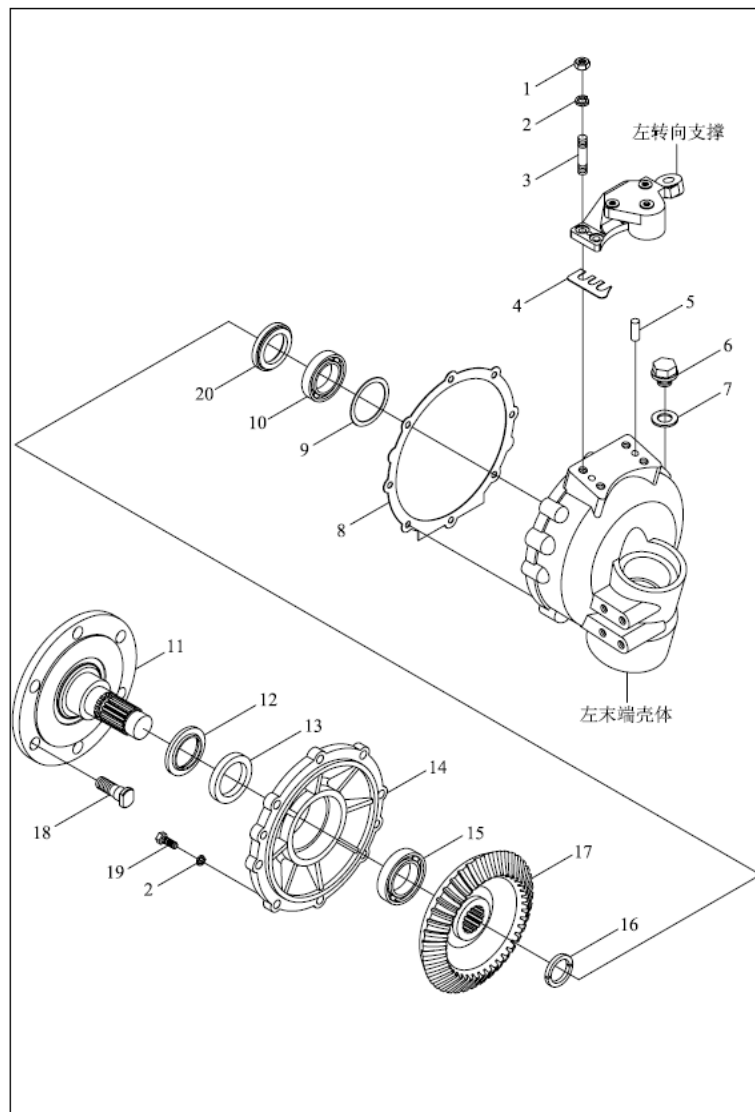
TE254.311G 前驱动桥总成-2.2



TE254.311G-2.2 31.2.2-前驱动桥总成-2.2 FRONT DRIVING AXLE ASSEMBLY-2.2

标号 No.	代号 Code	名称 Description	数量 Quantity	备注 Remark
0	TE254.311G.1	LEFT TRANSMISSION ASSEMBLY	1	2011-11_
1	GBT6171-M10X1.25-A2L	NUT	4	2011-11_
1	GBT6171-M10X1.25-A2L	NUT	4	2011-11_
10	GBT276-6206	BEARING	1	2011-11_
11	FT254.31F.111a	FRONT DRIVING SHAFT	1	2008-04_
11	FT254.31F.111	FRONT DRIVING SHAFT	1	2004-01_
11	FT254.31F.111c	FRONT DRIVING SHAFT	1	2014-01_
12	FT254.31F.113		1	2011-11_
13	GBT9877.1-B507210D	OIL SEAL	1	2011-11_
13	TE254.311G.1-03	OIL SEAL	1	2014-01_
14	FT254.31F.109	END BIG COVER	1	2011-11_
14	FT254.31F.109c	END BIG COVER	1	2014-01_
15	GBT276-6307	BEARING	1	2011-11_
15	GBT276-6308	BEARING	1	2014-01_
16	FT254.31F.112	SNAP RING	1	2004-01_
16	FT254.31F.112c	SNAP RING	1	2014-01_
16	FT254.31F.112a	SNAP RING	1	2008-04_
17	FT254.31F.110	END BIG GEAR	1	2004-01_
17	FT254.31F.110b	END BIG GEAR	1	2010-11_
17	FT254.31F.110	END BIG GEAR	1	2004-01_
17	FT254.31F.110c	END BIG GEAR	1	2014-01_
17	FT254.31F.110a	END BIG GEAR	1	2008-04_
18	FT254.31F.177	BOLT	6	2011-11_
19	GBT5783-M10X30-A3L	BOLT	8	2011-11_
2	GBT93-10-A0P	WASHER	12	2011-11_

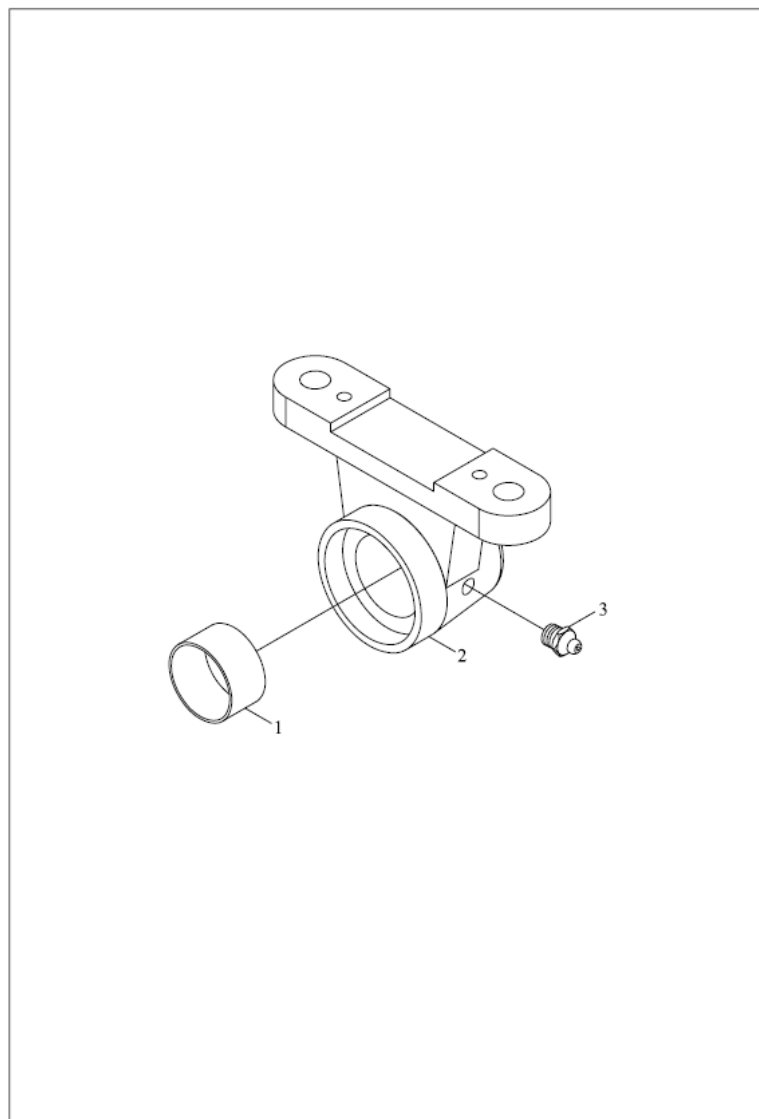
TE254.311G 前驱动桥总成-2.2



TE254.311G-2.2 31.2.2-前驱动桥总成-2.2(续)

标号 No.	代号 Code	名称 Description	数量 Quantity	备注 Remark
20	FT254.31F.178	LOCATING RING	1	2011-11_
20	FT254.31F.178c	LOCATING RING	1	2014-01_
3	GBT899-AM10-M10X1.25X30-8.8-A2L	8.8-A3L STUD	4	2011-11_
4	FT254.31F.107	ADJUSTING GASKET	2	2011-11_
5	GBT119.2-B8X20-A0P	PIN	2	2011-11_
6	FT254.31F.175	SCREW PLUG	1	2011-11_
7	FT254.31F.176	WASHER	1	2011-11_
8	FT254.31F.114	ADJUSTING GASKET	1	2011-11_
9	FT254.31F.115	ADJUSTING GASKET	1	2011-11_

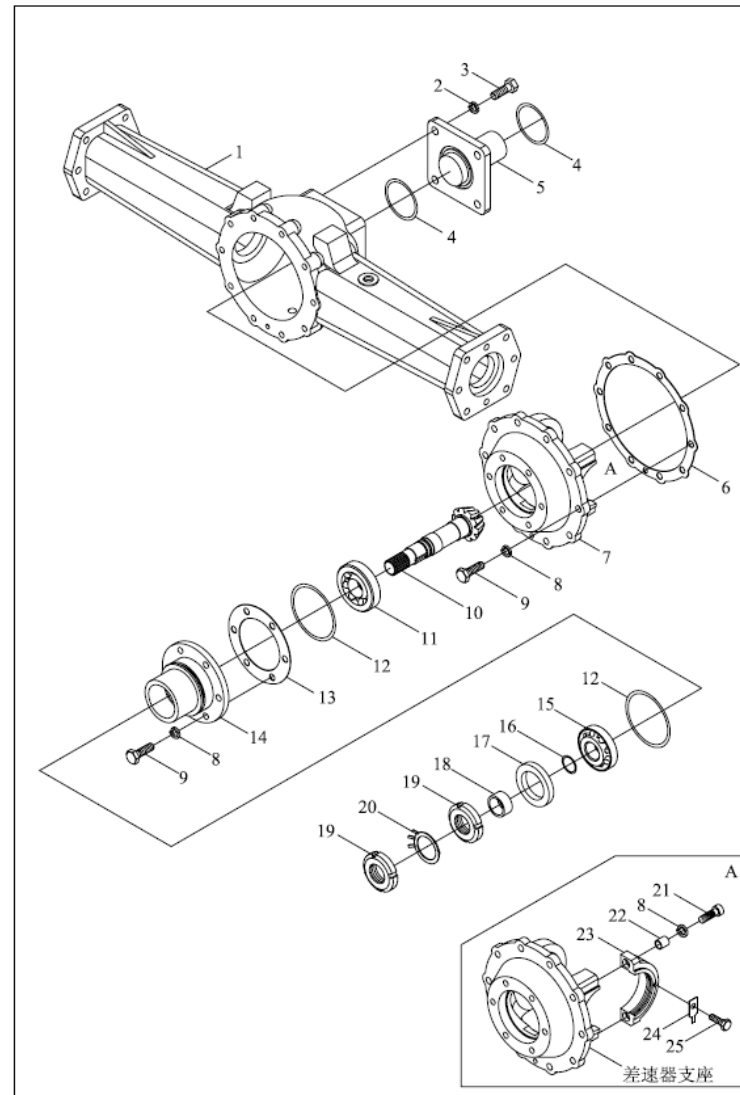
TE254.313G 前支撑座总成



TE254.313G 31.3-前支撑座总成 31.3-FRONT SUPPORT SEAT ASSEMBLY

标号 No.	代号 Code	名称 Description	数量 Quantity	备注 Remark
1	FT254.31F.136	SLIDING BUSHING	1	2011-11_
2	TE254.313G-01	FRONT SUPPORT SEAT	1	2011-11_
3	JBT7940.1-M10X1	STRAIGHT PRESSURE FILLING OIL CUP	1	2011-11_

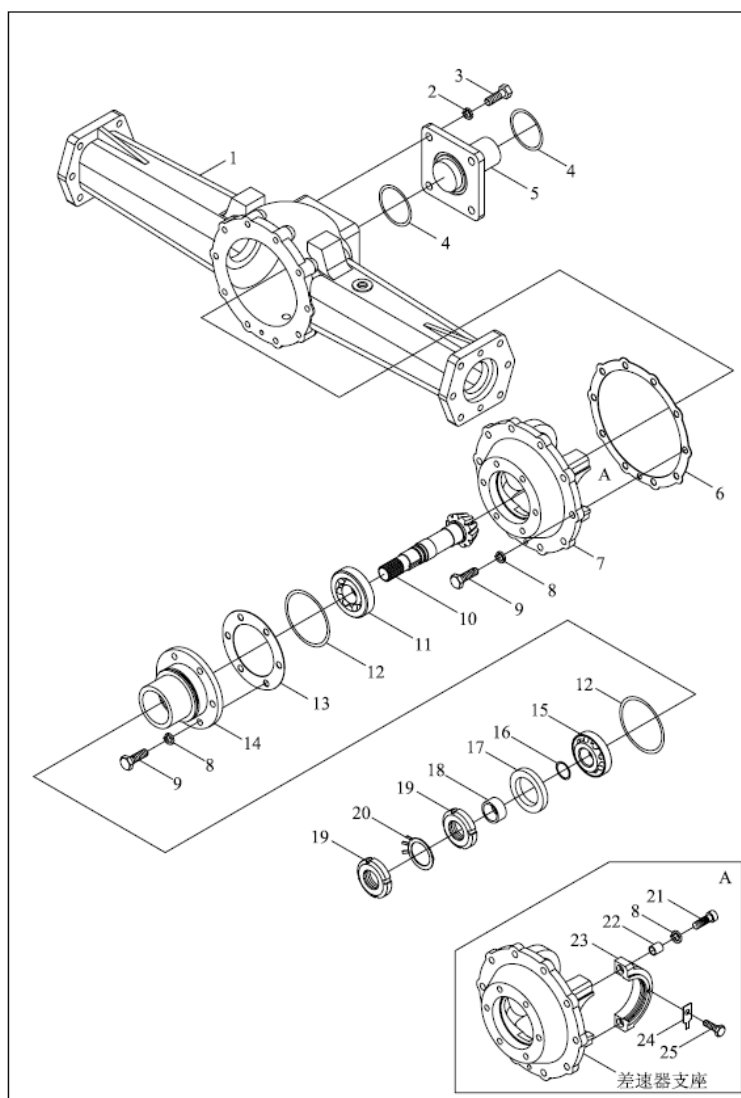
TE254.311G 前驱动桥总成-3.1



TE254.311G-3.1 31.3.1-前驱动桥总成-3.1 FRONT DRIVING AXLE ASSEMBLY-3.1

标号 No.	代号 Code	名称 Description	数量 Quantity	备注 Remark
0	TE254.311G.3	MAIN REDUCER BOX ASSEMBLY	1	2011-11_
1	TE254.311G.3-04	MAIN REDUCER BOX HOUSING	1	2011-11_
10	FT254.31F.127	INPUT SPIRAL BEVEL GEAR SHAFT	1	2011-11_
11	GBT297-31306	BEARING	1	2011-11_
11	GBT297-31306	BEARING	1	2011-11_
12	GBT3452.1-73.0X3.55G	O-SEAL RING	2	2011-11_
13	FT254.31F.131	ADJUSTING GASKET	1	2011-11_
14	FT254.31F.130	REAR SUPPORT SHAFT	1	2011-11_
15	GBT297-32006	BEARING	1	2011-11_
16	GBT3452.1-23.6X2.65G	O-SEAL RING	1	2011-11_
17	GBT9877.1-FB35X55X8B	O RING	1	2011-11_
18	FT254.31F.128	OIL SEAL BUSH	1	2011-11_
19	GBT810-M27X1.5	NUT	2	2011-11_
2	GBT93-12-AOP	WASHER	4	2011-11_
20	GBT858-27	WASHER	1	2011-11_
21	GBT70.1-M10X40	SCREW	2	2011-11_
22	FT254.31F.152	LOCATING SLEEVE	2	2011-11_
23	FT254.31F.139	BEARING FIXING SLEEVE	1	2011-11_
23	FT254.31F.139	BEARING FIXING SLEEVE	1	2011-11_
24	FT254.31F.141	THRUST WASHER	1	2011-11_
25	GBT5783-M8X16-A2L	BOLT	1	2011-11_
3	GBT5783-M12X30-A3L	BOLT	4	2011-11_
4	GBT3452.1-63.0X3.55G	O-SEAL RING	2	2011-11_
5	TE254.311G.3-02	FRONT SUPPORT SHAFT	1	2011-11_
6	FT254.31F.132	ADJUSTING GASKET	1	2011-11_

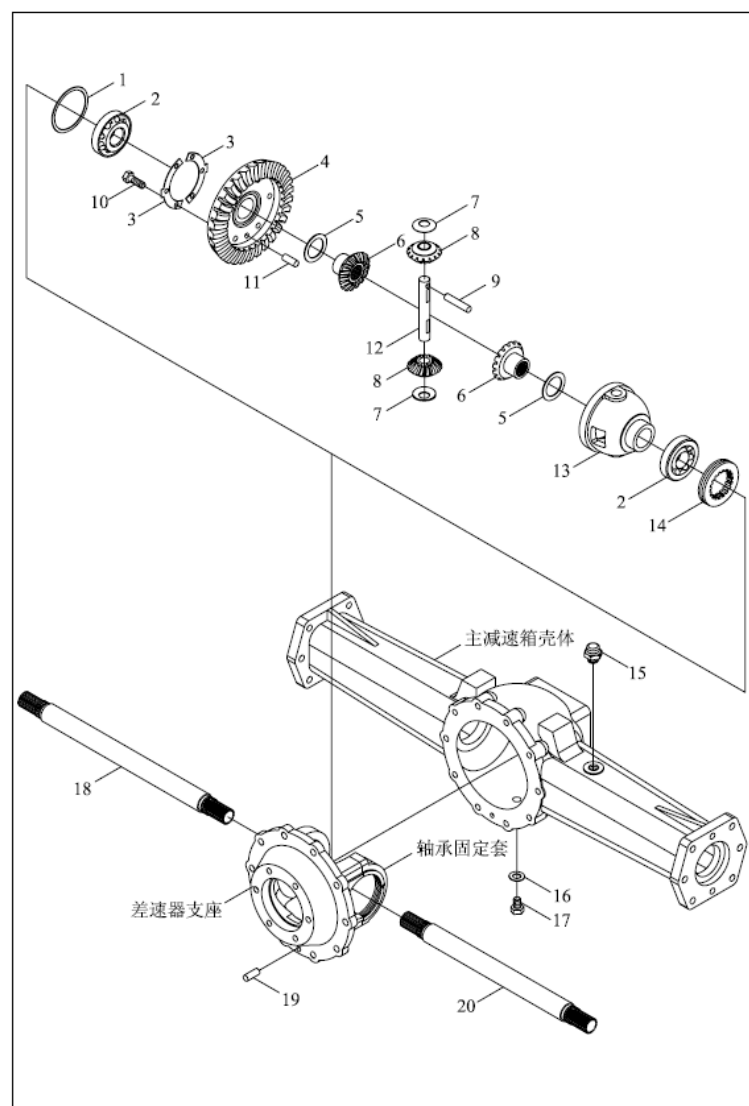
TE254.311G 前驱动桥总成-3.1



TE254.311G-3.1 31.3.1-前驱动桥总成-3.1(续)

标号 No.	代号 Code	名称 Description	数量 Quantity	备注 Remark
7	TE254.311G.3-01	DIFFERENTIAL SEAT	1	2011-11_
8	GBT93-10-AOP	WASHER	18	2011-11_
9	GBT5783-M10X30-A3L	BOLT	16	2011-11_

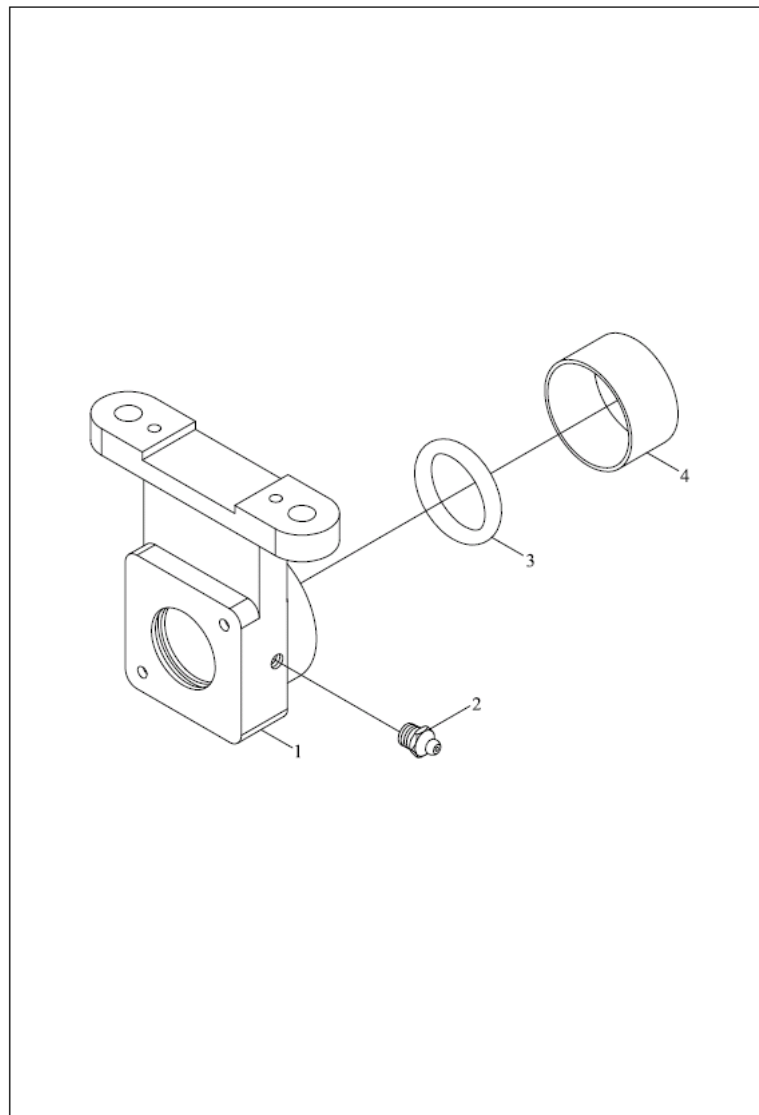
TE254.311G 前驱动桥总成-3.2



TE254.311G-3.2 31.3.2-前驱动桥总成-3.2 FRONT DRIVING AXLE ASSEMBLY-3.2

标号 No.	代号 Code	名称 Description	数量 Quantity	备注 Remark
0	TE254.311G.3	MAIN REDUCER BOX ASSEMBLY	1	2011-11_
1	FT254.31F.134	ADJUSTING GASKET	1	2011-11_
10	GBT5783-M8X25-A2L	BOLT	6	2011-11_
11	GBT119.2-8X20-A0P	PIN	1	2011-11_
12	FT254.31F.145	DIFFERENTIAL PIN SHAFT	1	2010-10_
13	FT254.31F.149	DIFFERENTIAL HOUSING	1	2011-11_
14	FT254.31F.140	ADJUSTING NUT	1	2011-11_
15	TE254.311A.1.1	STEEL BALL VENTILATION PLUG	1	2011-11_
16	FT304.42.118	WASHER	1	2011-11_
17	Q617B12	SCREW PLUG	1	2011-11_
18	FT254.31F.142	LEFT HALF SHAFT	1	2011-11_
18	FT254.31F.142	LEFT HALF SHAFT	1	2011-11_
19	GBT119.2-8X18-A0P	PIN	1	2010-10_
2	GBT297-32009	BEARING	2	2011-11_
20	FT254.31F.151	RIGHT HALF SHAFT	1	2011-11_
3	FT254.31F.135	THRUST WASHER	2	2011-11_
4	FT254.31F.144	BIG BEVEL GEAR	1	2011-11_
5	FT254.31F.148	WASHER	2	2011-11_
6	FT254.31F.143	DIFFERENTIAL BIG GEAR	2	2011-11_
7	FT254.31F.146	BALL WASHER	2	2011-11_
8	FT254.31F.147	PLANETARY GEAR	2	2011-11_
9	GBT119.1-8m6X40-A0P	PIN	1	2011-11_

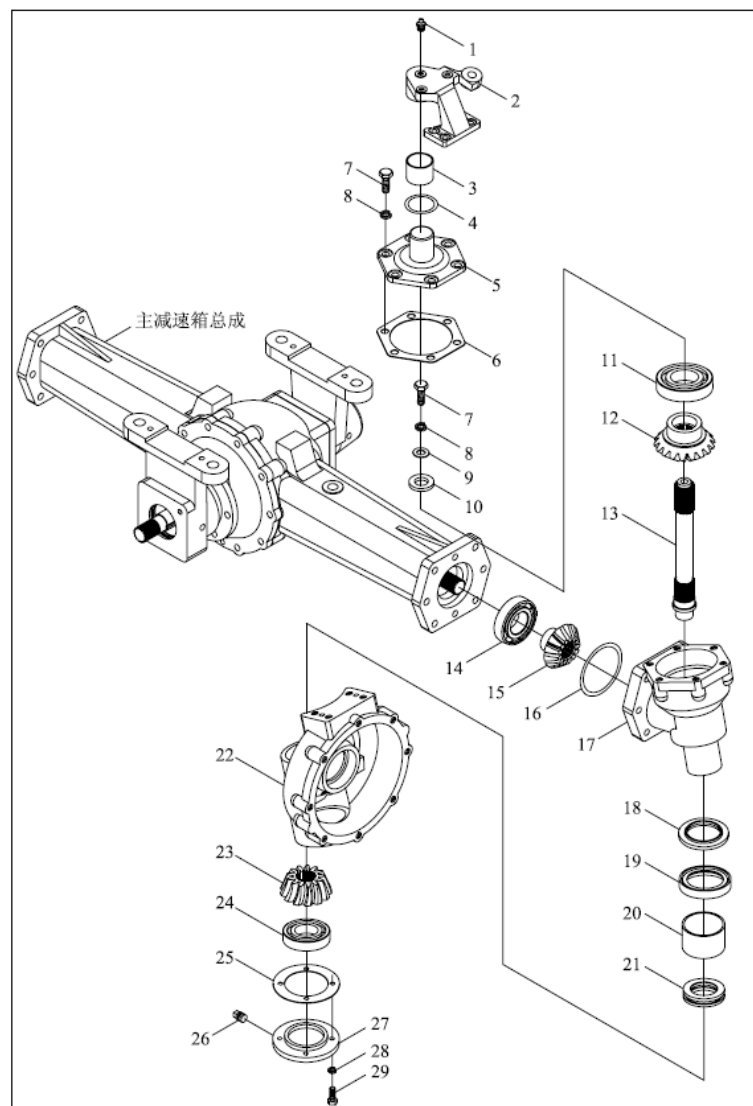
TE254.314G 后支撑座总成



TE254.314G 31.4-后支撑座总成 31.4-REAR SUPPORTING SEAT ASSEMBLY

标号 No.	代号 Code	名称 Description	数量 Quantity	备注 Remark
1	TE254.311B.1-01	REAR SUPPORTING SEAT	1	2011-11_
2	JBT7940.1-M10X1	STRAIGHT PRESSURE FILLING OIL CUP	1	2011-11_
3	GBT3452.1-54.5X3.55G	O-SEAL RING	1	2011-11_
4	FT254.31F.129	SLIDING BUSHING	1	2011-11_

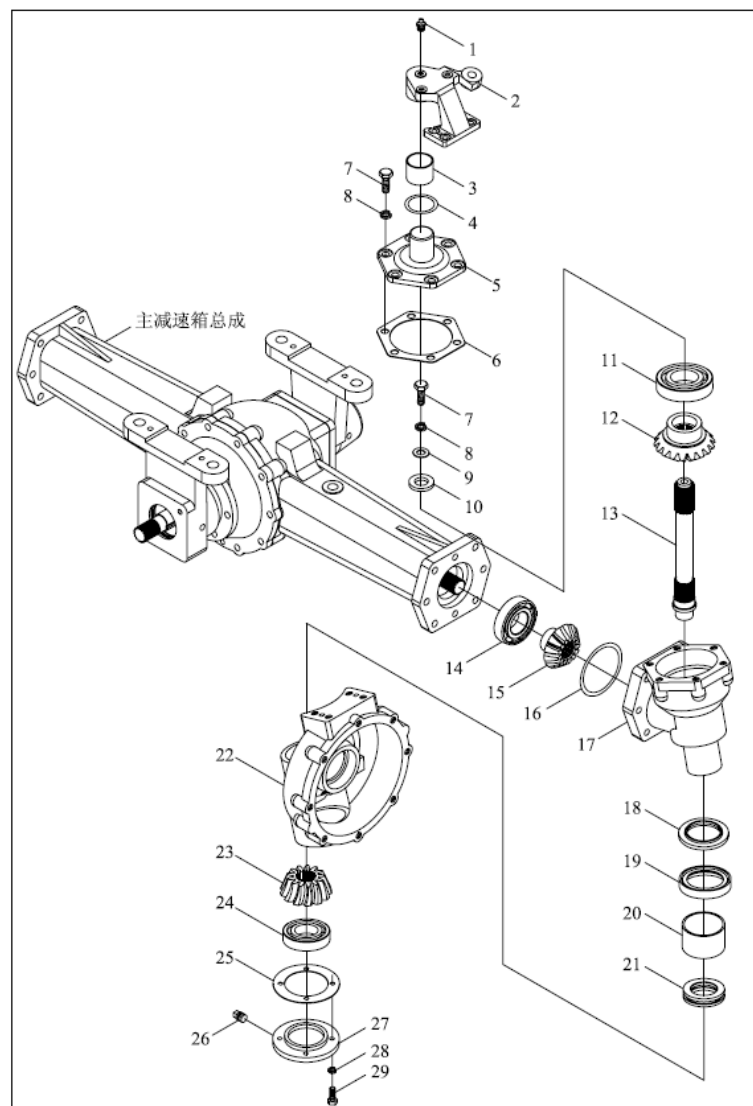
TE254.311G 前驱动桥总成-4.1



TE254.311G-4.1 31.4.1-前驱动桥总成-4.1 FRONT DRIVING AXLE ASSEMBLY-4.1

标号 No.	代号 Code	名称 Description	数量 Quantity	备注 Remark
0	TE254.311G.2	RIGHT TRANSMISSION ASSEMBLY	1	2011-11_
1	JBT7940.1-M10X1	STRAIGHT PRESSURE FILLING OIL CUP	1	2011-11_
10	FT254.31F.106	WASHER	1	2011-11_
11	GBT276-6210	BEARING	1	2011-11_
12	FT254.31F.108	HALF SHAFT BIG GEAR	1	2011-11_
13	FT254.31F.119	END PIN SHAFT	1	2011-11_
14	GBT276-6207	BEARING	1	2011-11_
15	FT254.31F.101	HALF SHAFT PINION	1	2011-11_
16	JBT3452.1-80X2.65G	O-RING	1	2011-11_
16	JBT3452.1-80X2.65G	O-RING	1	2011-11_
17	TE254.311G.1-02	STEERING BURL HOUSING	1	2011-11_
18	FT254.31F.113		1	2011-11_
19	GBT9877.1-B507210D	OIL SEAL	1	2011-11_
2	TE254.311G.2-01	RIGHT STEERING SUPPORT	1	2011-11_
20	FT254.31F.122	SLIDING BUSHING	1	2011-11_
21	GBT301-51106	HANDSPIKE BALL BEARING	1	2011-11_
22	FT254.31F.155	RIGHT END HOUSING	1	2004-01_
22	FT254.31F.155a	RIGHT END HOUSING	1	2010-11_
23	FT254.31F.118	END PINION	1	2004-01_
23	FT254.31F.118a	END PINION	1	2010-11_
24	GBT276-6305	BEARING	1	2011-11_
25	FT254.31F.117	ADJUSTING GASKET	1	2011-11_
25	FT254.31F.117	ADJUSTING GASKET	1	2011-11_
26	Q614B01	SQUARE HEAD TAPERED SCREW PLUG	1	2011-11_
26	Q614B01	SQUARE HEAD TAPERED SCREW PLUG	1	2011-11_

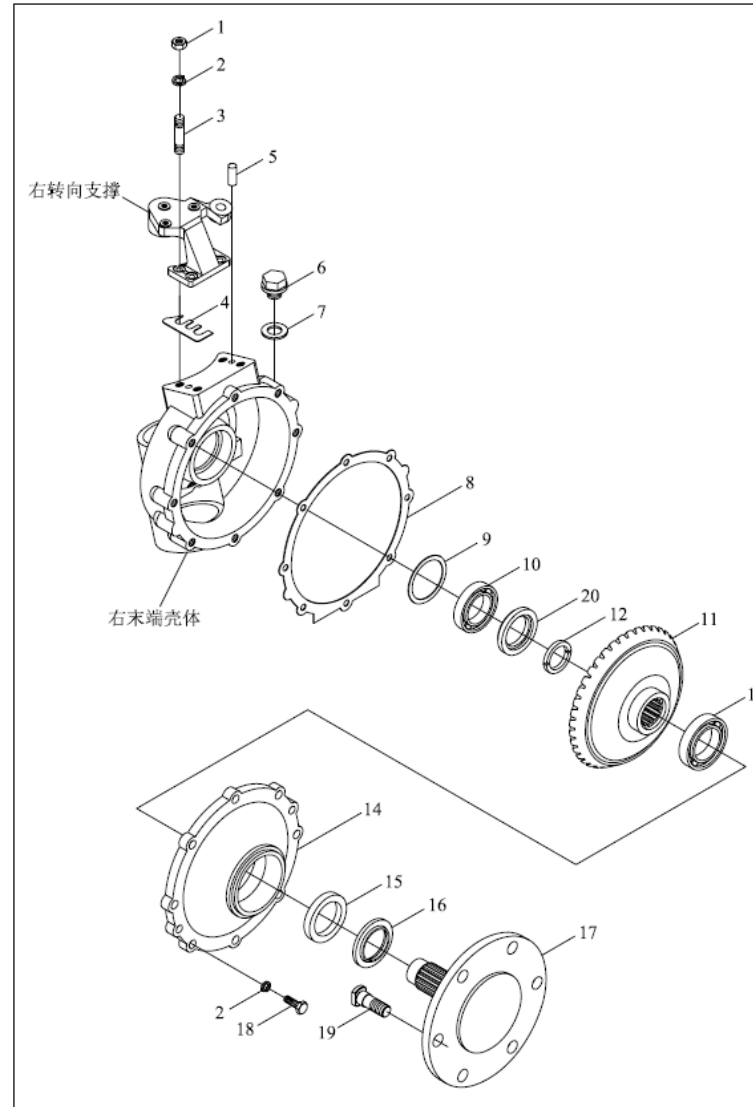
TE254.311G 前驱动桥总成-4.1



TE254.311G-4.1 31.4.1-前驱动桥总成-4.1(续)

标号 No.	代号 Code	名称 Description	数量 Quantity	备注 Remark
27	FT254.31F.116	BOTTOM END COVER	1	2011-11_
28	GBT93-6	WASHER	4	2011-11_
29	GBT5783-M6X20-A2L	BOLT	4	2011-11_
3	FT254.31F.104	SLIDING BUSHING	1	2011-11_
4	JB3452.1-34.5X3.55G	O-RING	1	2011-11_
5	FT254.31F.105	STEERING SHAFT SEAT	1	2011-11_
6	FT254.31F.102	SEAL GASKET	1	2011-11_
7	GBT5783-M10X25-A3L	BOLT	7	2011-11_
8	GBT93-10	WASHER 10	7	2011-11_
9	GBT96.1-10-A0P	WASHER	1	2011-11_

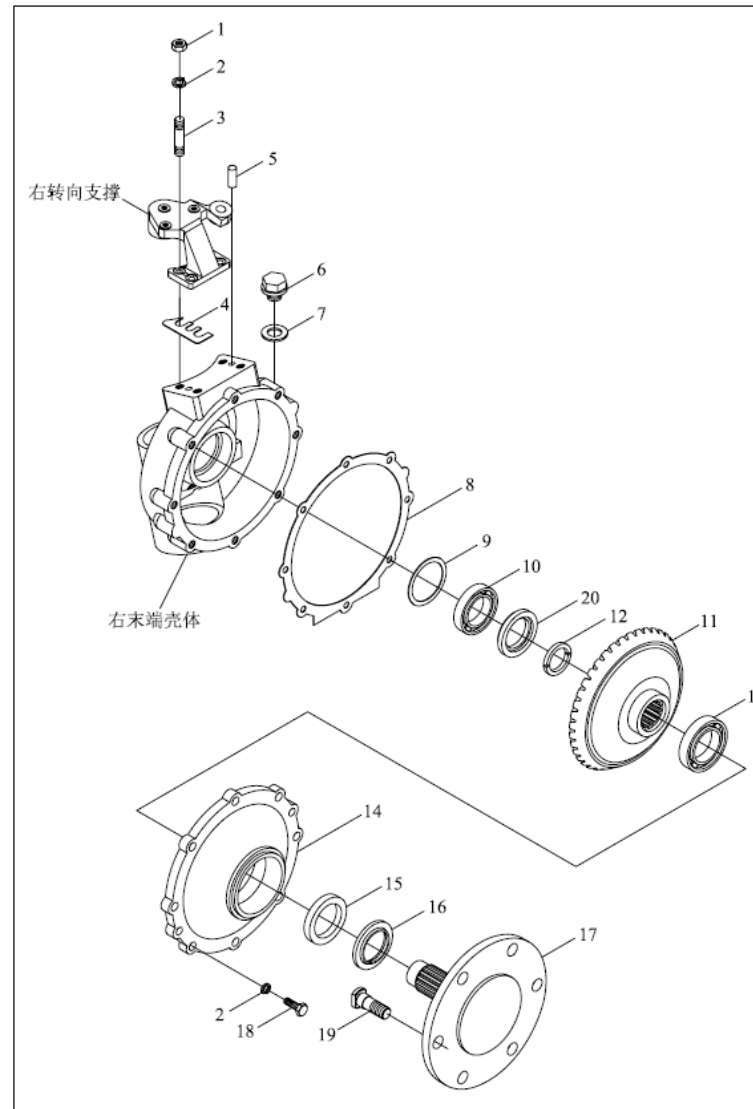
TE254.311G 前驱动桥总成-4.2



TE254.311G-4.2 31.4.2-前驱动桥总成-4.2 FRONT DRIVING AXLE ASSEMBLY-4.2

标号 No.	代号 Code	名称 Description	数量 Quantity	备注 Remark
0	TE254.311G.2	RIGHT TRANSMISSION ASSEMBLY	1	2011-11_
1	GBT6171-M10X1.25-A2L	NUT	4	2011-11_
1	GBT6171-M10X1.25-A2L	NUT	4	2011-11_
10	GBT276-6206	BEARING	1	2011-11_
11	FT254.31F.110	END BIG GEAR	1	2004-01_
11	FT254.31F.110b	END BIG GEAR	1	2010-11_
11	FT254.31F.110a	END BIG GEAR	1	2008-04_
11	FT254.31F.110	END BIG GEAR	1	2004-01_
12	FT254.31F.112a	SNAP RING	1	2008-04_
12	FT254.31F.112	SNAP RING	1	2004-01_
13	GBT276-6307	BEARING	1	2011-11_
14	FT254.31F.109	END BIG COVER	1	2011-11_
15	GBT9877.1-B507210D	OIL SEAL	2	2011-11_
16	FT254.31F.113		2	2011-11_
17	FT254.31F.111	FRONT DRIVING SHAFT	1	2004-01_
17	FT254.31F.111a	FRONT DRIVING SHAFT	1	2008-04_
18	GBT5783-M10X30-A3L	BOLT	8	2011-11_
19	FT254.31F.177	BOLT	6	2011-11_
2	GBT93-10	WASHER 10	12	2011-11_
20	FT254.31F.178	LOCATING RING	1	2011-11_
3	GBT899-AM10-M10X1.25X30-8.8-A2L	8.8-A3L STUD	4	2011-11_
4	FT254.31F.107	ADJUSTING GASKET	2	2011-11_
5	GBT119.2-B8X20-A0P	PIN	2	2011-11_
6	FT254.31F.175	SCREW PLUG	1	2011-11_
7	FT254.31F.176	WASHER	1	2011-11_

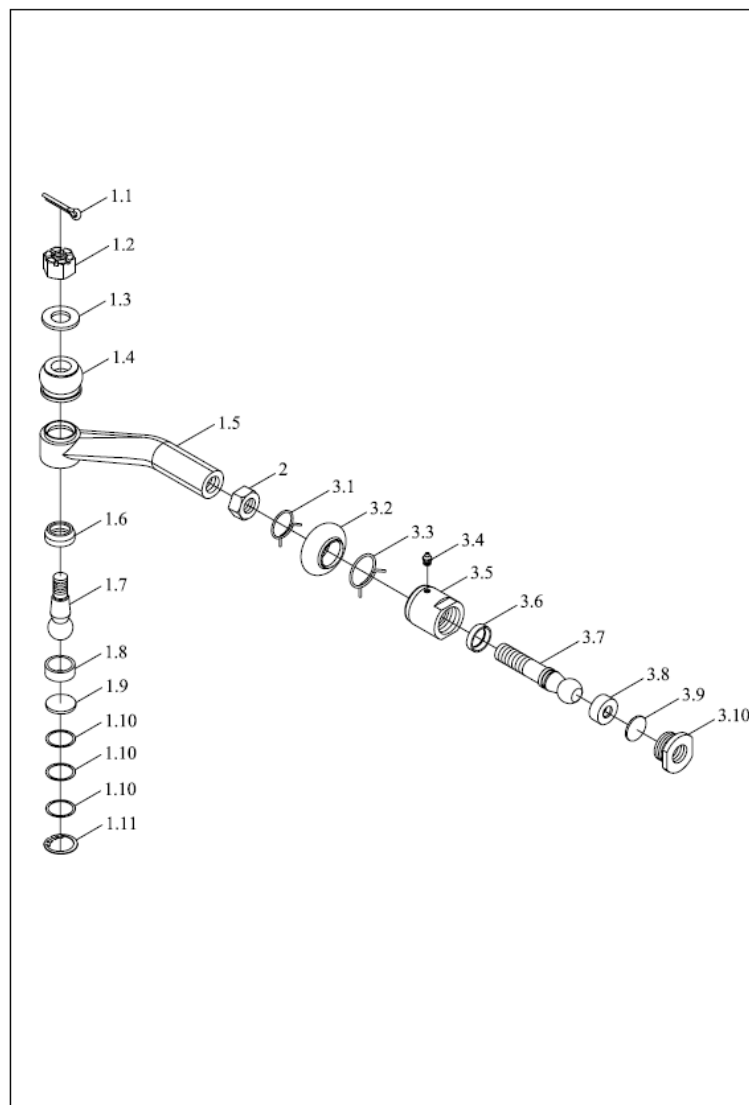
TE254.311G 前驱动桥总成-4.2



TE254.311G-4.2 31.4.2-前驱动桥总成-4.2(续)

标号 No.	代号 Code	名称 Description	数量 Quantity	备注 Remark
8	FT254.31F.114	ADJUSTING GASKET	1	2011-11_
9	FT254.31F.115	ADJUSTING GASKET	1	2011-11_

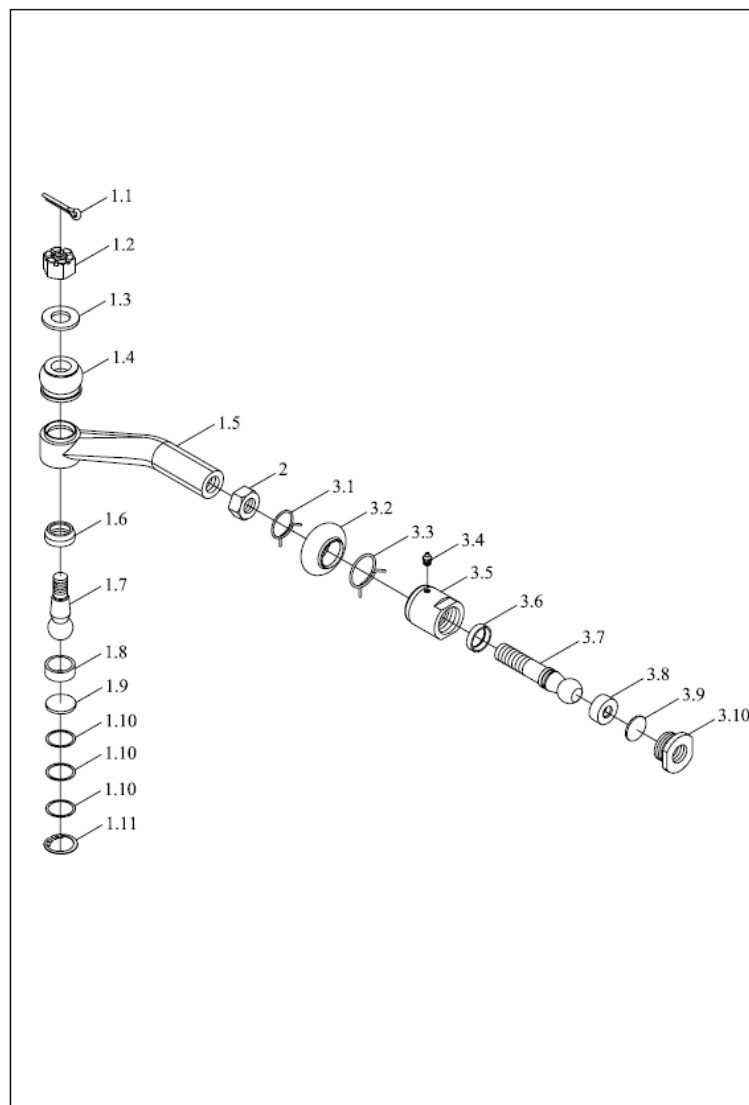
TE254.311G 前驱动桥总成-5



TE254.311G-5 31.5-前驱动桥总成-5 FRONT DRIVING AXLE ASSEMBLY-5

标号 No.	代号 Code	名称 Description	数量 Quantity	备注 Remark
1	TE254.311G.5.1	LEFT ROCKER JOINT ASSEMBLY	1	2013-01_
1.1	GBT91-3.2X40-A0P	PIN	1	2013-01_
1.10	TE254.311G.5.1-05	ADJUSTING WASHER	1	2011-11_
1.10	TE254.311G.5.1-05	ADJUSTING WASHER	1	2011-11_
1.11	GBT893.1-30	SNAP RING	1	2013-01_
1.2	GBT6178-M14-A3L	NUT	1	2013-01_
1.3	GBT97.1-14-A0P	WASHER	1	2013-01_
1.4	TE254.311G.5.1.1	DUSTPROOF SLEEVE ASSEMBLY	1	2013-01_
1.5	TE254.311G.5.1-06	LEFT STEERING ROCKER	1	2013-01_
1.6	TE254.311G.5.1-03	BOWL COVER	1	2013-01_
1.6	TE254.311G.5.1-03	BOWL COVER	1	2013-01_
1.7	TE254.311G.5.1-04	BALL PIN	1	2013-01_
1.8	TE254.311G.5.1-02	BOWL SEAT	1	2013-01_
1.9	TE254.311G.5.1-01	TOP COVER	1	2013-01_
2	GBT6173-M18X1.5-A3L	NUT	1	2010-10_
3	TE254.311G.5.2	OIL CYLINDER JOINT ASSEMBLY	1	2013-01_
3.1	Q671B20	STEEL WIRE ELASTIC HOOP	1	2013-01_
3.10	TE254.311G.5.2-05	CONNECTING NUT	1	2011-11_
3.10	TE254.311G.5.2-05	CONNECTING NUT	1	2011-11_
3.2	TE254.311G.5.2-04	OIL CYLINDER BALL JOINT SEAL BUSH	1	2013-01_
3.3	Q671B36	STEEL WIRE ELASTIC HOOP	1	2013-01_
3.4	JBT7940.1-M6	STRAIGHT PRESSURE FILLING OIL CUP	1	2013-01_
3.5	TE254.311G.5.2-01	OIL CYLINDER BALL JOINT PIN SEAT	1	2013-01_
3.6	TE254.311G.5.2-08	OIL CYLINDER BALL PIN COVER II	1	2013-01_
3.7	TE254.311G.5.2-03	OIL CYLINDER BALL JOINT PIN	1	2013-01_

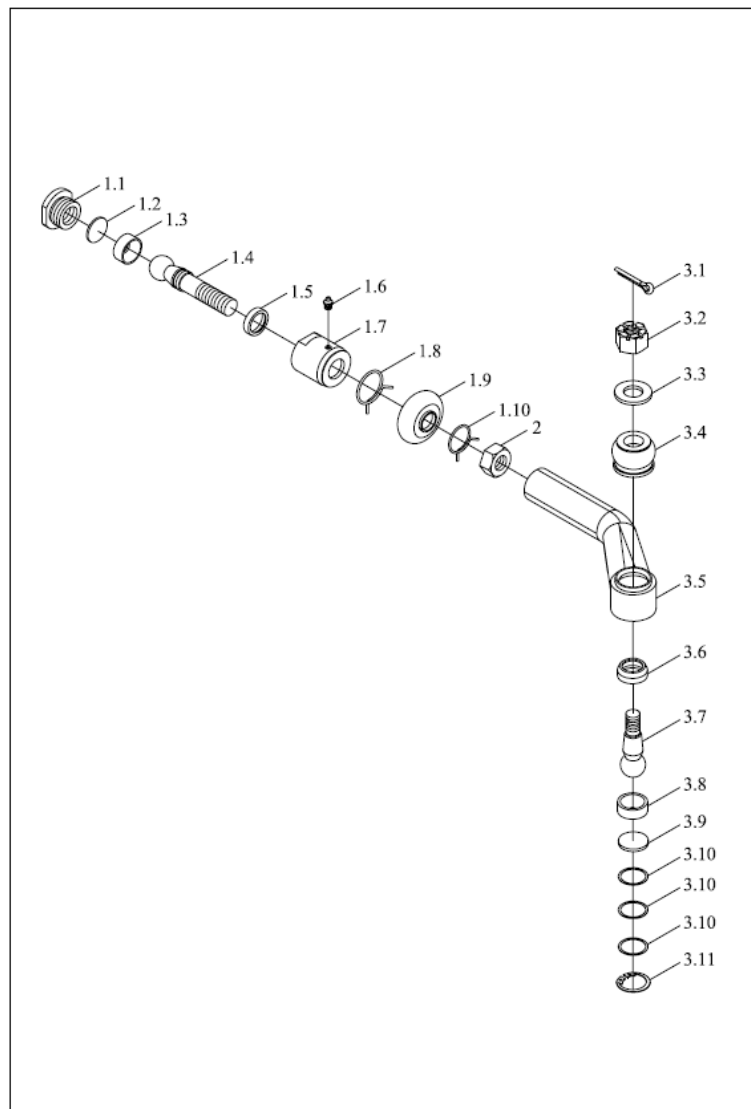
TE254.311G 前驱动桥总成-5



TE254.311G-5 31.5-前驱动桥总成-5(续)

标号 No.	代号 Code	名称 Description	数量 Quantity	备注 Remark
3.8	TE254.311G.5.2-07	OIL CYLINDER BALL PIN COVER I	1	2013-01_
3.9	TE254.311G.5.2-06	WASHER	1	2013-01_

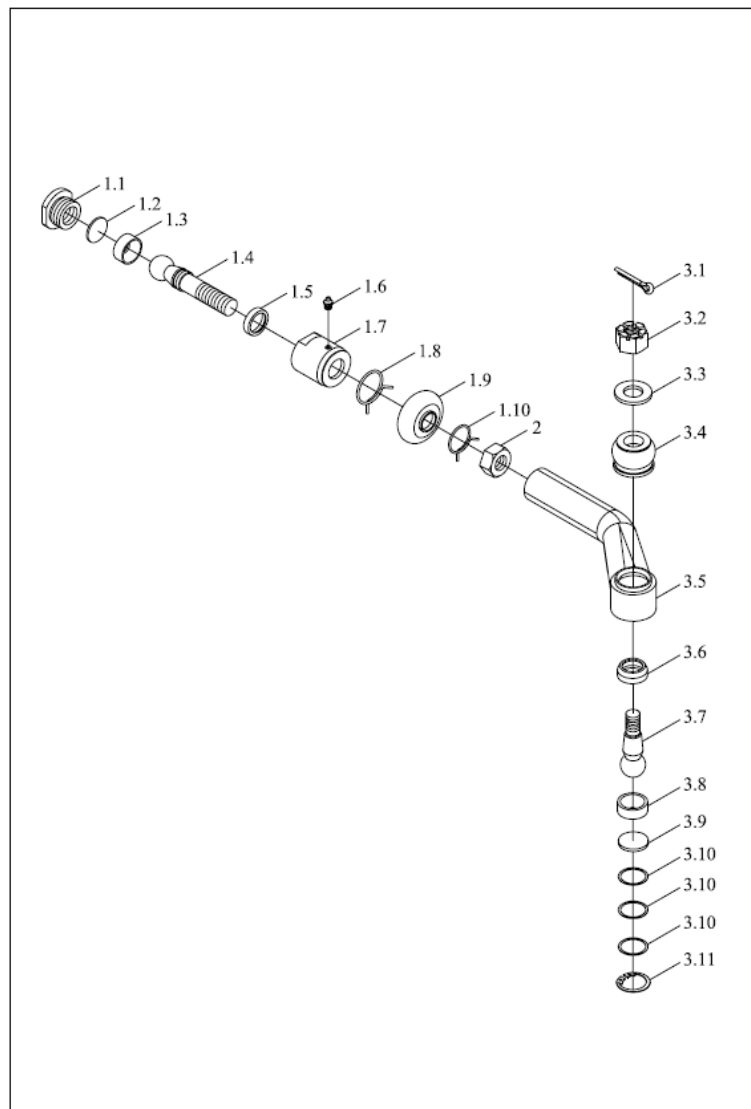
TE254.311G 前驱动桥总成-6



TE254.311G-6 31.6-前驱动桥总成-6 FRONT DRIVING AXLE ASSEMBLY-6

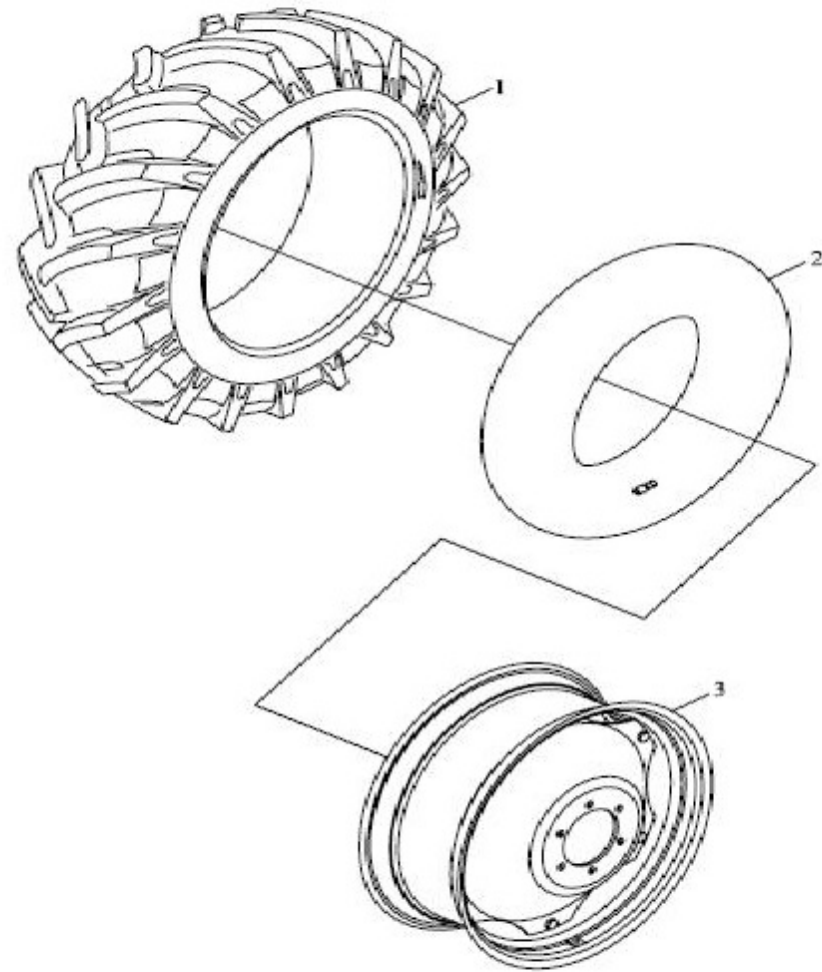
标号 No.	代号 Code	名称 Description	数量 Quantity	备注 Remark
1.1	TE254.311G.5.2-05	CONNECTING NUT	1	2013-01_
1.1	TE254.311G.5.2-05	CONNECTING NUT	1	2013-01_
1.10	Q671B20	STEEL WIRE ELASTIC HOOP	1	2013-01_
1.2	TE254.311G.5.2-06	WASHER	1	2013-01_
1.3	TE254.311G.5.2-07	OIL CYLINDER BALL PIN COVER I	1	2013-01_
1.4	TE254.311G.5.2-03	OIL CYLINDER BALL JOINT PIN	1	2013-01_
1.5	TE254.311G.5.2-08	OIL CYLINDER BALL PIN COVER II	1	2013-01_
1.6	JBT7940.1	OIL CUP M10×1	1	2013-01_
1.7	TE254.311G.5.2-01	OIL CYLINDER BALL JOINT PIN SEAT	1	2013-01_
1.8	Q671B36	STEEL WIRE ELASTIC HOOP	1	2013-01_
1.9	TE254.311G.5.2-04	OIL CYLINDER BALL JOINT SEAL BUSH	1	2013-01_
2	GBT6173-M18X1.5-A3L	NUT	1	2013-01_
3	TE254.311G.6.1	RIGHT ROCKER JOINT ASSEMBLY	1	2013-01_
3.1	GBT91-3.2X40-A0P	PIN	1	2013-01_
3.10	TE254.311G.5.1-05	ADJUSTING WASHER	999	2013-02_
3.10	TE254.311G.5.1-05	ADJUSTING WASHER	999	2013-02_
3.11	GBT893.1-30	SNAP RING	1	2013-01_
3.2	GBT6178-M14-A3L	NUT	1	2013-01_
3.3	GBT97.1-14-A0P	WASHER	1	2013-01_
3.4	TE254.311G.5.1.1	DUSTPROOF SLEEVE ASSEMBLY	1	2013-01_
3.5	TE254.311G.6.1-01	RIGHT STEERING ROCKER	1	2013-01_
3.5	TE254.311G.6.1-01	RIGHT STEERING ROCKER	1	2013-01_
3.6	TE254.311G.5.1-03	BOWL COVER	1	2013-01_
3.6	TE254.311G.5.1-03	BOWL COVER	1	2013-01_
3.7	TE254.311G.5.1-04	BALL PIN	1	2013-01_

TE254.311G 前驱动桥总成-6



TE254.311G-6 31.6-前驱动桥总成-6(续)

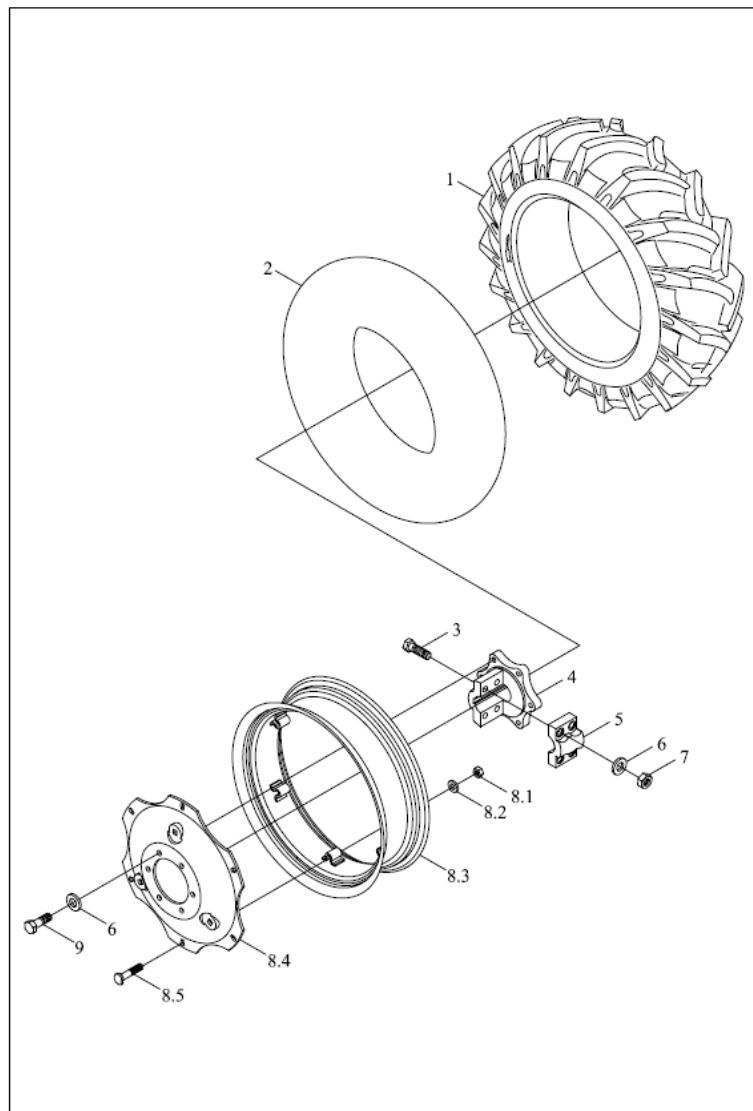
标号 No.	代号 Code	名称 Description	数量 Quantity	备注 Remark
3.8	TE254.311G.5.1-02	BOWL SEAT	1	2013-01_
3.9	TE254.311G.5.1-01	TOP COVER	1	2013-01_



TE284.32F 32-前驱动轮总成 32-FRONT DRIVING WHEEL ASSEMBLY

标号 No.	代号 Code	名称 Description	数量 Quantity	备注 Remark
1	GBT1192-6.00-16-6PR	DRIVING WHEEL OUTER TUBE	1	2011-11_
2	GBT1192-6.00-16	DRIVING WHEEL INNER TUBE	1	2011-11_
2	GBT1192-6.00-16	DRIVING WHEEL INNER TUBE	1	2011-11_
3	TE284.32F.1	WHEEL RIM WELD	1	2011-11_

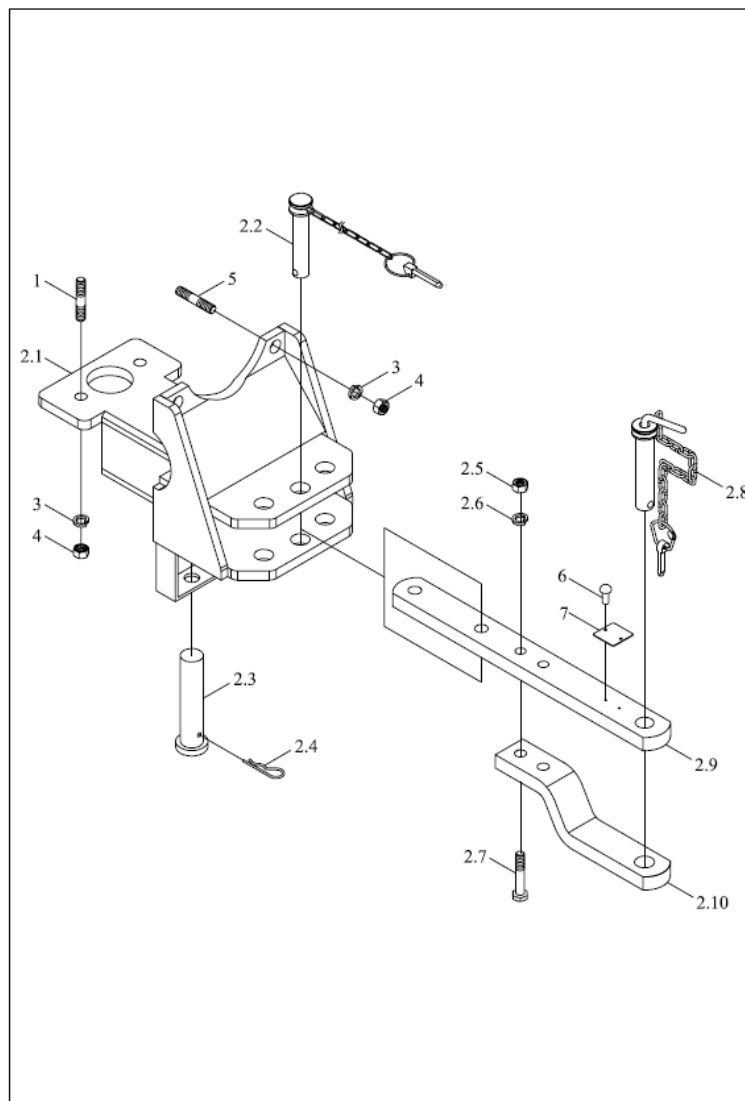
FT250.34F.001 后驱动轮总成



FT250.34F.001 34-后驱动轮总成 34-REAR DRIVE WHEEL ASSEMBLY

标号 No.	代号 Code	名称 Description	数量 Quantity	备注 Remark
1	GBT2979-9.5-24-6PR-R	DRIVING WHEEL OUTER TUBE	1	
2	GBT2979-9.5-24	DRIVING WHEEL INNER TUBE	1	2011-11_
3	TE254.34B.2-01	BOLT	4	2011-11_
4	FT250.34.102	DRIVING WHEEL HUB	1	2011-11_
4	FT250.34.102a	DRIVING WHEEL HUB	1	2013-04_
5	FT250.34.103a	DRIVING WHEEL HUB COVER	1	2013-04_
5	FT250.34.103	DRIVING WHEEL HUB COVER	1	2011-11_
6	FT250.34.108	HUB WASHER	10	2011-11_
7	GBT6171-M14X1.5-10-A3L	NUT	4	2011-11_
8	FT250.34F.010	RIM SPOKE ASSEMBLY	1	2011-11_
8	FT250.34F.010	RIM SPOKE ASSEMBLY	1	2011-11_
8.1	GBT6171-M16X1.5-10-A3L	NUT	6	2011-11_
8.2	FT300.34.106	WASHER	6	2011-01_
8.3	FT250.34F.011	WHEEL RIM WELD	1	2011-11_
8.4	TE324.34.1.1-01	SPOKE PLATE	1	2011-11_
8.5	FT300.34.102	RIM BOLT	6	2011-11_
9	GBT5786-M14X1.5X35-10.9-A3L	BOLT	6	2011-11_

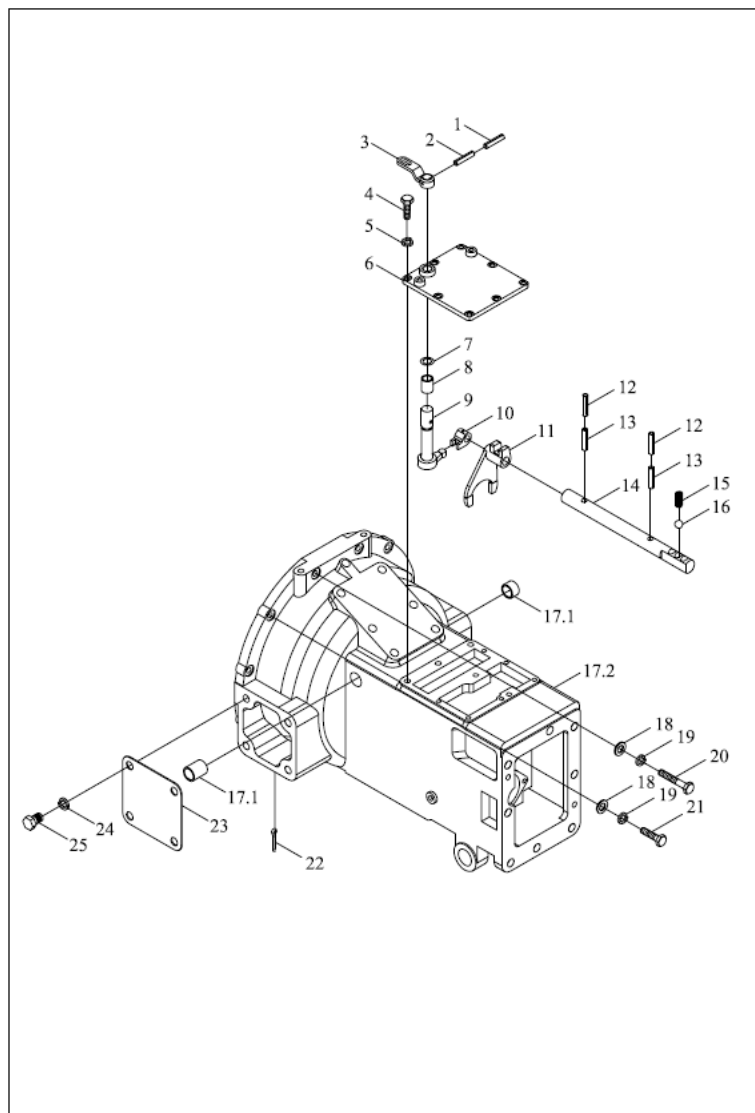
TE250.35C 牵引装置装配总成



TE250.35C 35-牵引装置装配总成 35-TRACTION EQUIPMENT MOUNTING ASSEMBLY

标号 No.	代号 Code	名称 Description	数量 Quantity	备注 Remark
2	TE250.35C.1	TRACTION DEVICE ASSEMBLY	1	2011-11_
2.1	FT250.35.010	TRACTION FRAME	1	2011-11_
2.1	TB400.35.1-02	CONNECTING SWING ROD	1	2011-11_
2.2	TE250.35A.1.1	LIMITING PIN AND LOCK PIN ASSEMBLY	1	2011-11_
2.3	FT250.35.101	CONNECTING PIN	1	2011-11_
2.4	FT65.35.103	SPRING LOCK PIN	1	2011-11_
2.4	FT65.35.103	SPRING LOCK PIN	1	2011-11_
2.5	GBT6170-M16-A3L	NUT	2	2011-11_
2.6	GBT93-16	WASHER	2	2010-04_
2.7	GBT5782-M16X80-A3L	BOLT	2	2011-11_
2.8	TB400.35.1.2	TOWING PIN AND LOCK PIN ASSEMBLY	1	2011-11_
2.9	TE250.35C.1-01	UPPER PART U-HOOK	1	2011-11_
3	GBT93-12-AOP	WASHER	4	2011-11_
4	GBT6170-M12-A3L	NUT	4	2011-11_
5	GBT899-M12X35-A3L	8.8-A3L STUD	2	2010-04_
6	GBT827-3X8	SCUTCHEON RIVET	2	2011-11_
7	TE250.35C-01	TOWING SIGN PLATE	1	2011-11_
	GBT899-M12X32-8.8-A3L	8.8-A3L STUD	2	2011-07_
	GBT5783-M12X35-8.8-A3L	BOLT	2	2011-07_

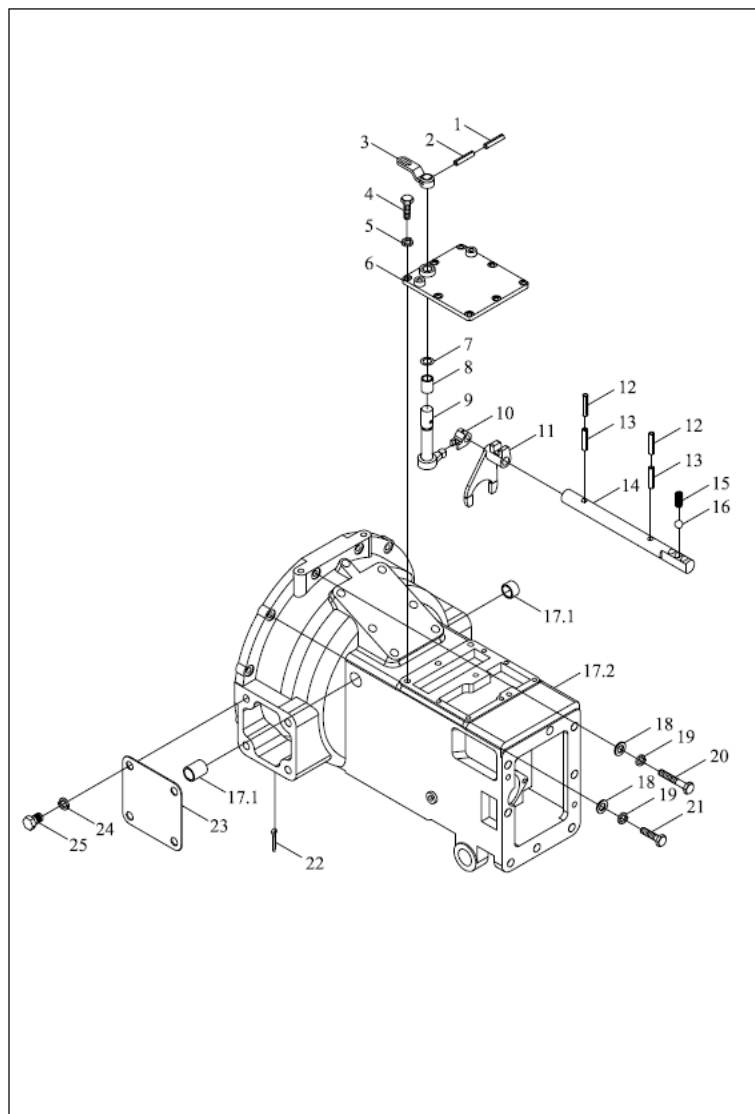
TE254.361B 梭式换档总成-1



TE254.361B-1 36.1-梭式换档总成-1 SHUTTLE GEARSHIFT ASSEMBLY-1

标号 No.	代号 Code	名称 Description	数量 Quantity	备注 Remark
1	GBT879.1-4X28	PIN	1	2011-11_
10	TE250.361M-03	SHUTTLE GEARSHIFT DIAL HEAD	1	2011-11_
11	TE250.361F-27	SHUTTLE SHIFT FORK	1	2011-11_
12	GBT879.1-3X26	PIN	2	2011-11_
13	GBT879.1-5X26	PIN	2	2011-11_
14	TE250.361M-04	SHUTTLE SHIFT FORK SHAFT	1	2011-11_
15	FT250.37.148	FORK SHAFT LOCKING SPRING	1	2011-11_
15	FT250.37.148	FORK SHAFT LOCKING SPRING	1	2011-11_
16	GBT308-8.7312-G400b	BALL	1	2011-11_
17	TE250.361M.1	CLUTCH HOUSING UNIT	1	2011-11_
17.1	FT250.36.103	ROCKER SHAFT LONG BUSH	2	2011-11_
17.2	TE250.361M.1-01a	CLUTCH HOUSING	1	2011-11_
18	GBT97.1-10-A0P	WASHER	12	2011-11_
19	GBT93-10-A0P	WASHER	12	2011-11_
2	GBT879.1-6X28	PIN	1	2011-11_
2	GBT879.1-6X28	PIN	1	2011-11_
20	GBT5782-M10X55-A3L	BOLT	4	2011-11_
21	GBT5783-M10X35-A3L	BOLT	8	2011-11_
22	GBT91-4X20-A0P	PIN	1	2011-11_
23	FT250.36.110	INSPECTION HOLE SIDE COVER	2	2011-11_
24	GBT93-14-A0P	SPRING WASHER	8	2011-11_
24	GBT93-14-A0P	SPRING WASHER	8	2011-11_
25	TE250.361F-17	BOLT	8	2011-11_
3	TE250.361M.2	CONTROL ROCKER WELDMENT	1	2011-11_
4	GBT5783-M8X25-A2L	BOLT	8	2011-11_

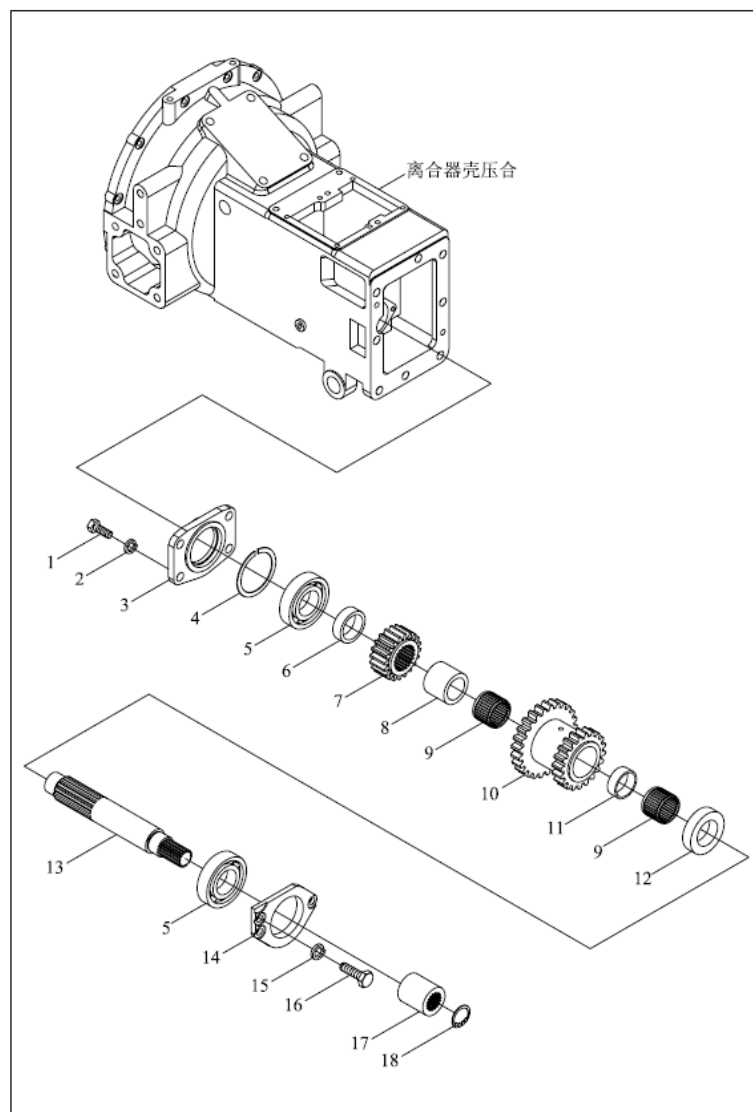
TE254.361B 梭式换档总成-1



TE254.361B-1 36.1-梭式换档总成-1(续)

标号 No.	代号 Code	名称 Description	数量 Quantity	备注 Remark
5	GBT93-8-A0P	WASHER	8	2011-11_
6	TE250.361M-02	SHUTTLE SHIFT UPPER COVER	1	2011-11_
7	GBT3452.1-13.2X2.65G	O-SEAL RING	1	2011-11_
8	TE250.361M-05	LIMITING SLEEVE	1	2011-11_
9	TE250.361M-01	SHUTTLE SHIFT ROCKER ARM	1	2011-11_

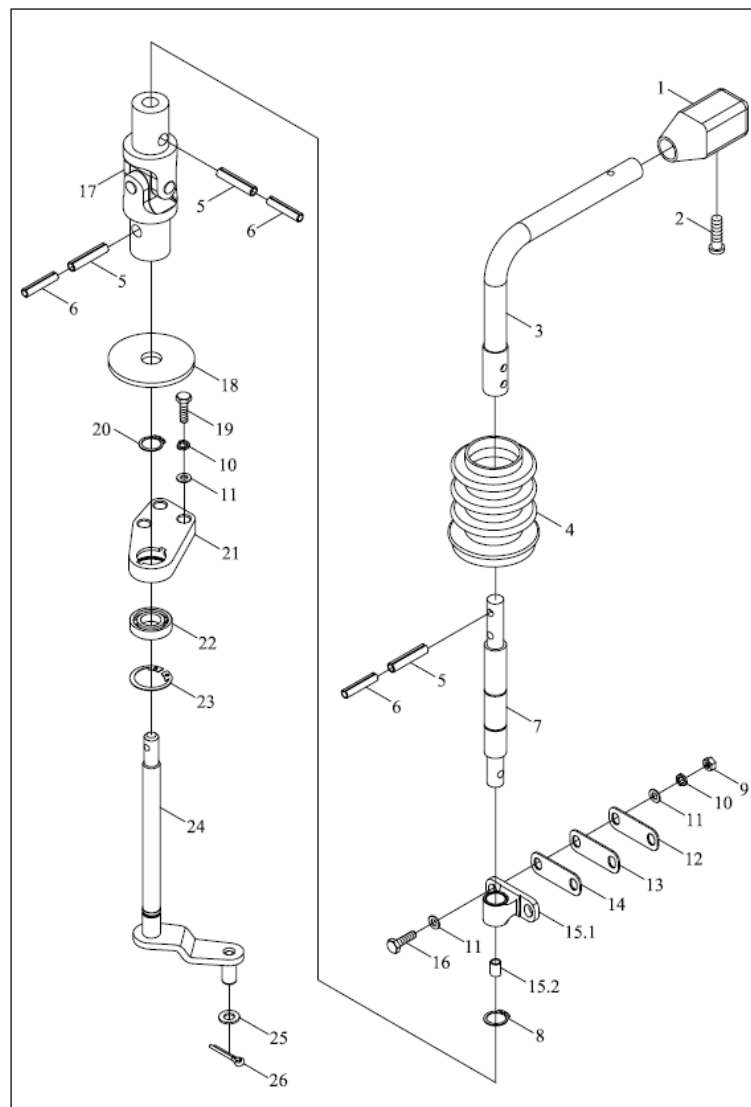
TE254.361B 梭式换档总成-2



TE254.361B-2 36.2-梭式换档总成-2 SHUTTLE GEARSHIFT ASSEMBLY-2

标号 No.	代号 Code	名称 Description	数量 Quantity	备注 Remark
1	GBT5783-M10X25-A3L	BOLT	4	2011-11_
10	TE250.361F-09	SHUTTLE SHIFT DRIVEN DUAL GEAR	1	2011-11_
11	FT250.37.139	SHORT SPACER	1	2011-11_
12	TE250.361F-26	SPACER BUSH II	1	2011-11_
13	TE250.361F-12	SHUTTLE SHIFT MIDDLE SHAFT	1	2011-11_
14	TE250.361F-22	BEARING PRESSURE COVER	1	2011-11_
15	GBT93-8-A0P	WASHER	3	2011-11_
16	GBT5783-M8X20-A2L	BOLT	3	2011-11_
17	TE250.361F-13	SPLINE BUSH	1	2011-11_
18	GBT893.1-18	SNAP RING	1	2011-11_
2	GBT93-10-A0P	WASHER	4	2011-11_
3	TE250.361F-04	BEARING PRESSURE COVER	1	2011-11_
4	TE250.361F-21	ADJUSTING WASHER	999	2011-11_
5	GBT276-6305	BEARING	2	2011-11_
6	TE250.361F-05	SPACER BUSH	1	2011-11_
7	TE300.361-01	FRONT DRIVING GEAR	1	2011-11_
7	TE300.361-01	FRONT DRIVING GEAR	1	2011-11_
8	TE250.361F-25	SPACER BUSH I	1	2011-11_
9	TE250.361F-08	NEEDLE BEARINGS	2	2011-11_

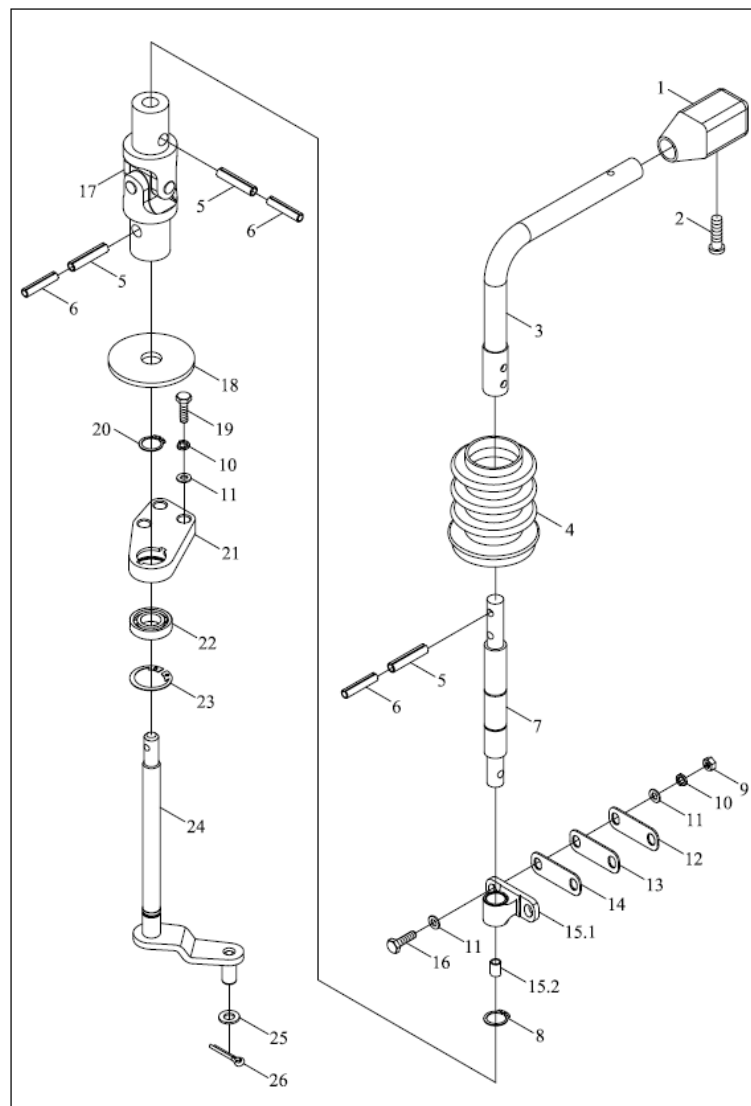
TE250.362M 梭式换挡操纵机构总成



TE250.362M 36.2-梭式换挡操纵机构总成 36.2-SHUTTLE SHIFT CONTROL MECHANISM ASSEMBLY

标号 No.	代号 Code	名称 Description	数量 Quantity	备注 Remark
1	TE250.362D-04	PLASTIC HANDLE	1	2011-11_
10	GBT93-10-A0P	WASHER	5	2011-11_
11	GBT97.1-10-A0P	WASHER	7	2011-11_
12	TE250.362M-06	ADJUSTING WASHER	999	2011-11_
13	TE250.362M-05	ADJUSTING WASHER	999	2011-11_
14	TE250.362M-04	ADJUSTING WASHER	999	2011-11_
14	TE250.362M-04	ADJUSTING WASHER	999	2011-11_
15	TE250.362M.3	GUIDE SLEEVE UNIT	1	2011-11_
15	TE250.362M.3	GUIDE SEAT UNIT	1	2011-11_
15.1	TE250.362M.3-01	GUIDE SLEEVE	1	2011-11_
15.2	TE250.362M.3-02	SLEEVE	1	2011-11_
16	GBT5783-M10X35-A3L	BOLT	2	2011-11_
17	TE250.362D.2	UNIVERSAL JOINT ASSEMBLY	1	2011-11_
18	TE250.362M-03	PACKING WASHER	1	2011-11_
19	GBT5783-M10X25-A3L	BOLT	3	2011-11_
2	GBT818-M5X16-A2L	SCREW	1	2004-01_
20	GBT894.1-15	SNAP RING	1	2011-11_
21	TE250.362M-01a	GUIDE SLEEVE	1	2008-08_
21	TE250.362M-01	GUIDE SLEEVE	1	2004-08_
22	GBT276-6002-2RS	BEARING	1	2011-11_
23	GBT893.1-32	RETAINER RING	1	2011-11_
24	TE250.362M.1	CONTROL ROD WELDMENT	1	2008-04_
24	TE250.362M.1a	CONTROL ROD WELDMENT	1	2011-04_
25	GBT848-12-A0P	WASHER	1	2011-11_
26	GBT91-2.5X20-A0P	PIN	1	2011-11_

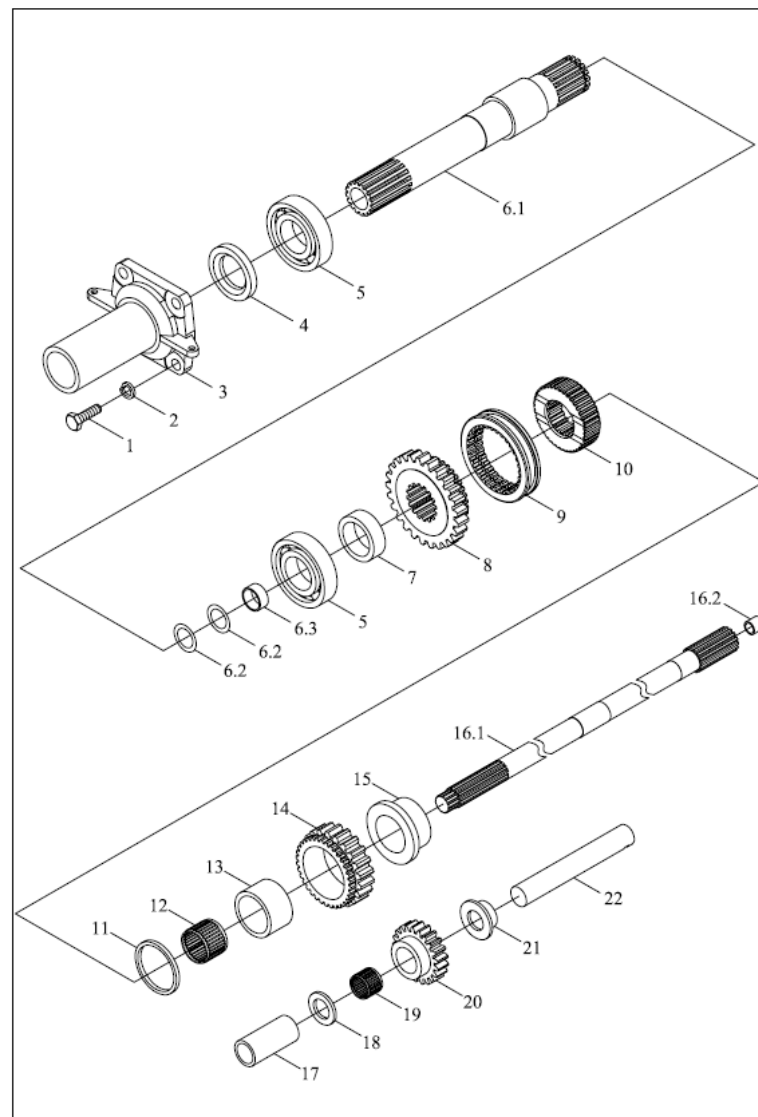
TE250.362M 梭式换挡操纵机构总成



TE250.362M 36.2-梭式换档操纵机构总成(续)

标号 No.	代号 Code	名称 Description	数量 Quantity	备注 Remark
3	TE250.362M.2	GEARSHIFT LEVER WELDMENT	1	2011-11_
3	TE250.362M.2	GEARSHIFT LEVER WELDMENT	1	2011-11_
4	TE250.362D-01		1	2011-11_
5	GBT879.1-6X18	PIN	4	2011-11_
6	GBT879.1-3.5X18	PIN	4	2011-11_
7	TE250.362M-02a	MIDDLE ROD	1	2011-11_
7	TE250.362M-02a	MIDDLE ROD	1	2011-11_
7	TE250.362M-02b	MIDDLE ROD	1	2011-04_
7	TE250.362M-02	MIDDLE ROD	1	2004-01_
8	GBT894.1-16	RETAINER RING	1	2011-11_
9	GBT6170-M10-A3L	NUT	2	2011-11_

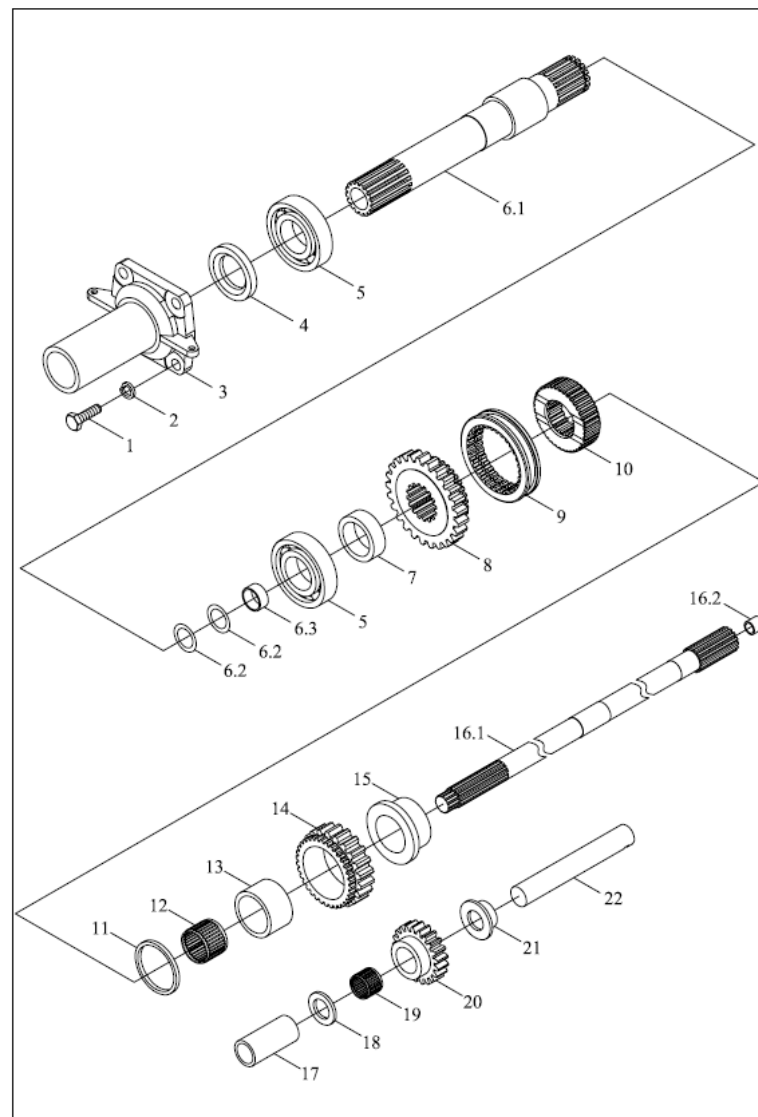
TE254.361B 梭式换档总成-3



TE254.361B-3 36.3-梭式换档总成-3 SHUTTLE GEARSHIFT ASSEMBLY-3

标号 No.	代号 Code	名称 Description	数量 Quantity	备注 Remark
1	GBT5783-M10X25-A3L	BOLT	4	2011-11_
10	TE250.361D-10	MESH GEAR SEAT	1	2011-11_
11	TE250.361D-13	NEEDLE SPACER BUSH	1	2011-11_
12	QSFZB019-K42X48X21	NEEDLE BEARINGS	1	2013-07_
13	TE250.361F-32	DRIVEN GEAR BUSH	1	2011-11_
14	TE250.361D-09	SHUTTLE SHIFT DRIVEN GEAR	1	2011-11_
15	TE250.361F-28	DRIVEN GEAR SPACER	1	2011-11_
16	TE250.361F.3	PTO CLUTCH SHAFT ASSEMBLY	1	2011-11_
16.1	TE250.361F.3-01	PTO CLUTCH SHAFT	1	2011-11_
16.2	FT250.36B.128	SHAFT SLEEVE	1	2011-11_
17	TE250.361F-31	IDLER SPACER II	1	2011-11_
18	TE250.361D-01	WASHER	1	2011-11_
2	GBT93-10-A0P	WASHER	4	2011-11_
20	TE250.361F-10	SHUTTLE SHIFT IDLE WHEEL	1	2011-11_
20	TE250.361F-10	SHUTTLE SHIFT IDLE WHEEL	1	2011-11_
21	TE250.361F-30	IDLER SHAFT SPACER BUSH	1	2011-11_
22	TE250.361F-14	SHUTTLE SHIFT IDLE SHAFT	1	2011-11_
3	TE250.361F-01	RELEASE BEARING SEAT SUPPORT	1	2011-11_
4	GBT9877.1-FB35X55X8D	O RING	1	2011-11_
4	GBT9877.1-FB35X55X8D	O RING	1	2011-11_
5	GBT276-6207	BEARING	2	2011-11_
6	TE250.361F.2	SHUTTLE SHIFT DRIVING SHAFT ASSEMBLY	1	2011-11_
6.1	TE250.361F.2-01	SHUTTLE SHIFT DRIVING SHAFT	1	2011-11_
6.2	GBT3452.1-20X2.65G	O-SEAL RING	2	2009-01_
6.3	TE250.361F.2-02	SLEEVE	1	2011-11_

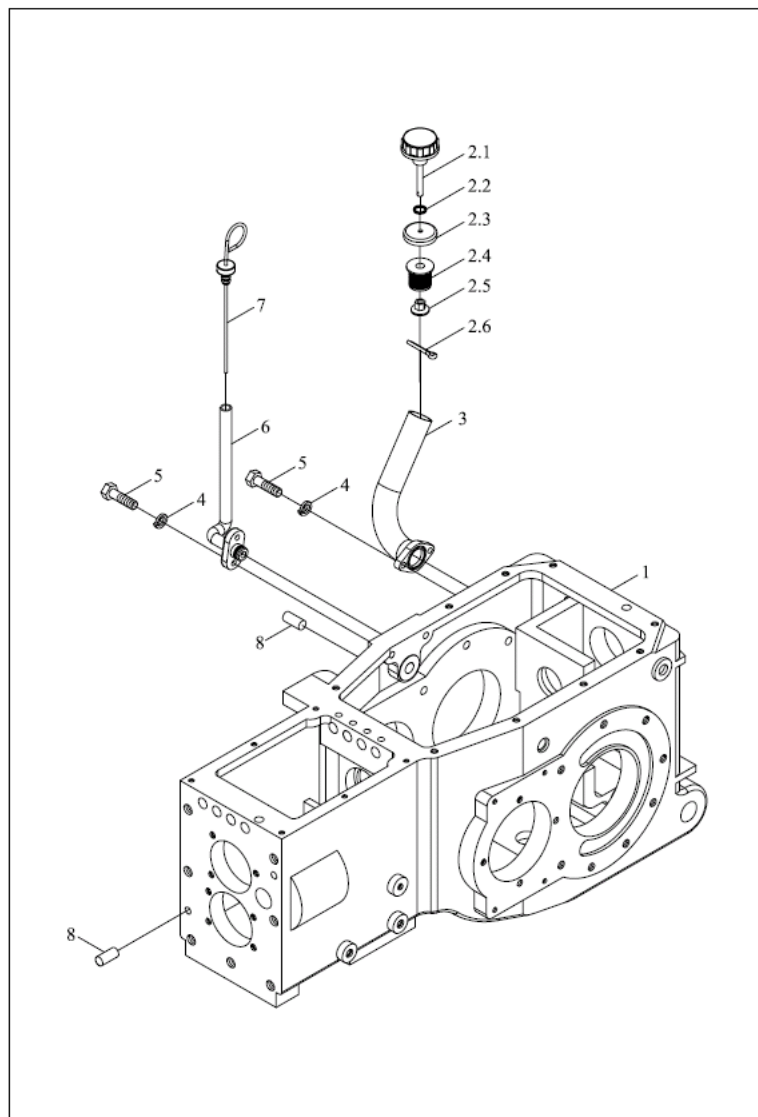
TE254.361B 梭式换档总成-3



TE254.361B-3 36.3-梭式换档总成-3(续)

标号 No.	代号 Code	名称 Description	数量 Quantity	备注 Remark
7	TE250.361F-29	DRIVING GEAR SPACER BUSH	1	2011-11_
8	TE250.361D-05	SHUTTLE SHIFT DRIVING GEAR	1	2011-11_
9	TE250.361D-24	SHIFT COLLAR	1	2011-11_
9	TE250.361D-24	SHIFT COLLAR	1	2011-11_

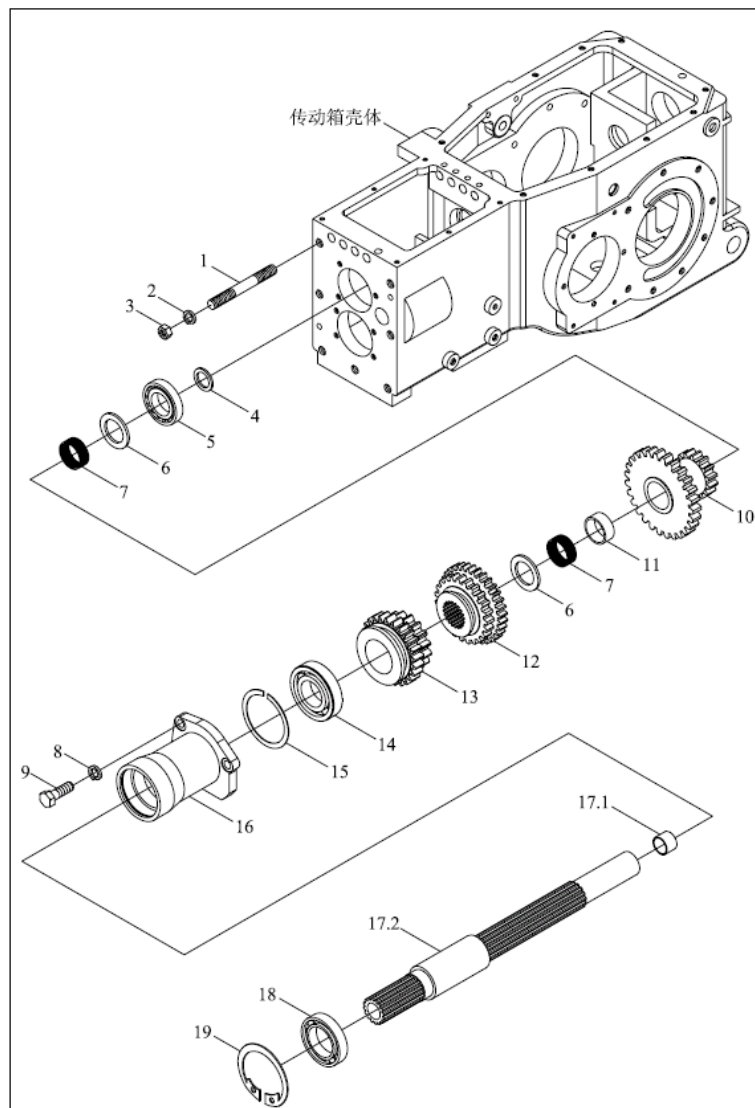
TE250.371F 传动箱总成-1



TE250.371F-1 37.1.1-传动箱总成-1 37.1TRANSMISSION ASSEMBLY-1

标号 No.	代号 Code	名称 Description	数量 Quantity	备注 Remark
0	TE250.371F.1	TRANSMISSION CASE SHELL ASSEMBLY	1	2011-11_
1	TE250.371F.1-01	TRANSMISSION CASE SHELL	1	2011-11_
1	TE250.371F.1-01a	TRANSMISSION CASE SHELL	1	2011-11_
2	FT300.55B.029	OIL PIPE PLUG ASSEMBLY	1	2011-11_
2	TA700.55A.7	PLUG,THREADED	1	2013-05_
2.1	FT700.55D.029	HANDLE WHEEL ASSEMBLY I	1	2011-11_
2.2	JBT982-8	COMBINED GASKET	1	2011-11_
2.3	FT700.55D.129	COVER PLATE	1	2011-11_
2.4	FT300.55B.165	TENSION RUBBER SLEEVE	1	2011-11_
2.5	FT300.55B.166	ADJUSTING NUT	1	2011-11_
2.6	GBT91-3.2X16-A0P	PIN	1	2011-11_
3	TE250.371F.1.1	OIL FILLING PIPE WELDMENT	1	2011-11_
4	GBT93-8-AOP	SPRING WASHER	4	2011-11_
5	GBT5783-M8X25-A2L	BOLT	4	2011-11_
6	TE250.371F.1.2	OIL DIPSTICK PIPE WELDMENT	1	2011-11_
7	TE250.371F.1.3	DIPSTICK ASSEMBLY	1	2011-11_
8	GBT119.1-10m6X26-A0P	PIN	4	2011-11_

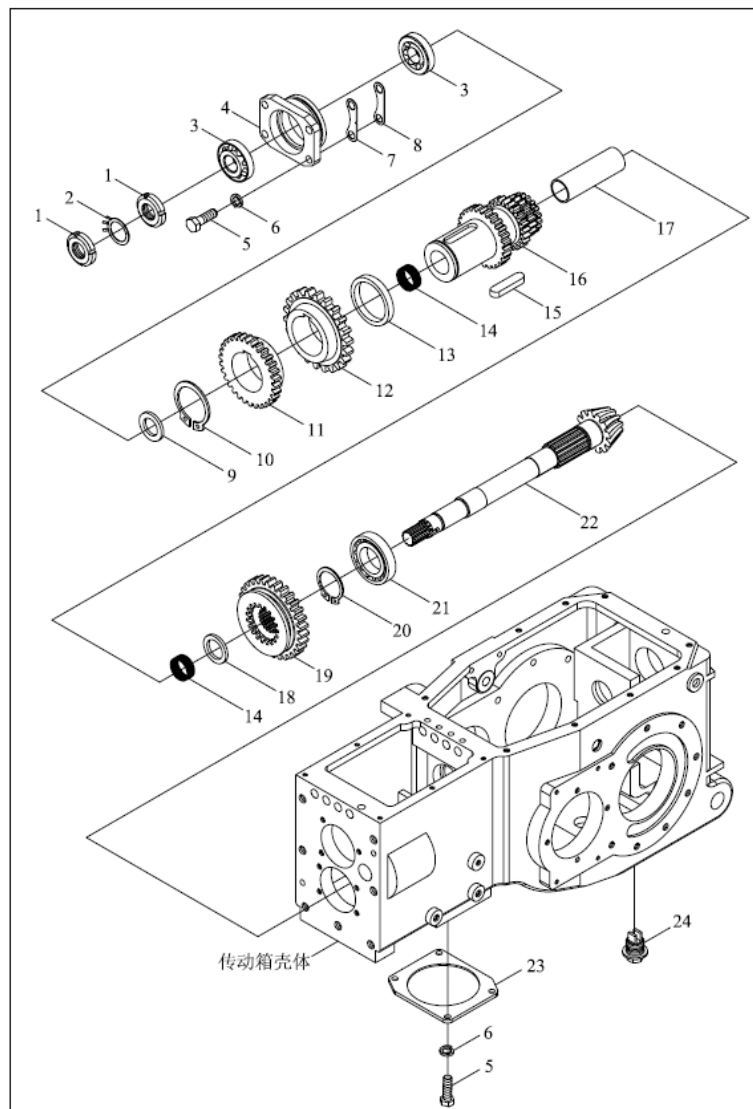
TE250.371F 传动箱总成-2



TE250.371F-2 37.1.2-传动箱总成-2 37.1TRANSMISSION ASSEMBLY-2

标号 No.	代号 Code	名称 Description	数量 Quantity	备注 Remark
1	GBT898-AM14-M14X1.5X35-A3L	8.8-A3L STUD	7	2011-11_
10	FT250.37.146	HIGH AND LOW GEAR FIXING GEAR	1	2011-11_
11	FT250.37.139	SHORT SPACER	1	2011-11_
12	TE250.371B-05	III-IV SLIDING GEAR	1	2011-11_
13	FT250.37.130	I-II SLIDING GEAR	1	2011-11_
14	GBT276-6207N	BEARING	1	2011-11_
15	GBT305-7278.6	THRUST RING	1	2011-11_
16	TE250.371B-04	1ST SHAFT FRONT BEARING COVER	1	2011-11_
17	TE250.371B.1	ONE SHAFT ASSEMBLY	1	2011-11_
17.1	FT250.37A.137	SHAFT SLEEVE	1	2011-11_
17.2	TE250.371B.1-01	FIRST SHAFT	1	2011-11_
18	GBT276-6007	BEARING	1	2011-11_
19	GBT893.1-62	BLOCKING RING - HOLE	1	2011-11_
2	GBT93-14-A0P	SPRING WASHER	7	2011-11_
2	GBT93-14-A0P	SPRING WASHER	7	2011-11_
3	GBT6171-M14X1.5-A3L	NUT	7	2011-11_
4	FT250.37A.272	PLATE;THRUST	1	2011-11_
5	GBT283-NJ206E	BEARING	1	2011-11_
6	FT250.37A.147	1ST SHAFT ASSISTANT GEARSHIFT SLEEVE	2	2011-11_
7	JBT7918-K30X35X27	NEEDLE AND CARRIER UNIT	4	2004-01_
8	GBT93-10-A0P	WASHER	3	2011-11_
9	GBT5783-M10X25-A3L	BOLT	3	2011-11_

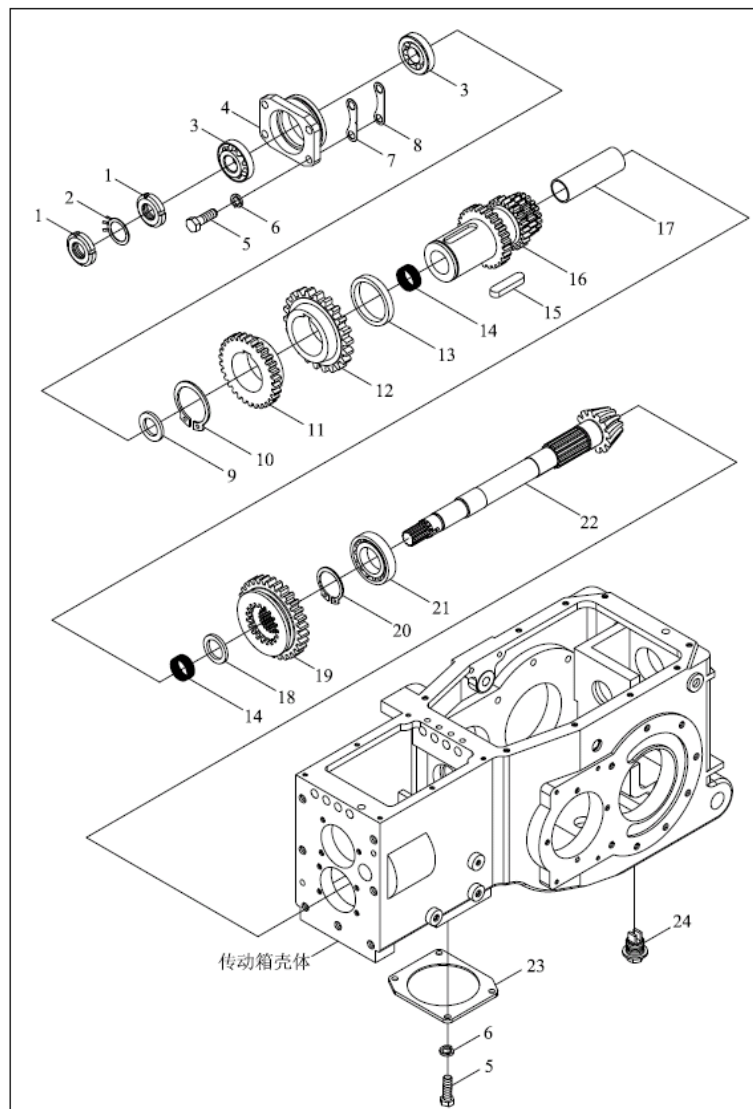
TE250.371F 传动箱总成-3



TE250.371F-3 37.1.3-传动箱总成-3 TRANSMISSION CASE ASSEMBLY-3

标号 No.	代号 Code	名称 Description	数量 Quantity	备注 Remark
1	GBT812-M24X1.5	ROUND NUT	2	2011-11_
10	GBT894.1-55	SNAP RING	1	2011-11_
11	FT250.37.120	II DRIVEN GEAR	1	2011-11_
12	FT250.37.119	I DRIVEN GEAR	1	2011-11_
13	TE250.371B-03	SPACER BUSH	1	2011-11_
14	JBT7918-K28X33X27	NEEDLE AND CARRIER UNIT	4	2004-01_
15	GBT1096-14X9X56	FLAT KEY	1	2011-11_
16	TE250.371B-02a	III-IV DRIVEN GEAR	1	2011-11_
16	TE250.371B-02	III-IV DRIVEN GEAR	1	2011-11_
17	FT250.37.105	LONG SPACER BUSH	1	2004-01_
17	FT250.37.105	LONG SPACER BUSH	1	2004-01_
17	FT250.37.105a	LONG SPACER BUSH	1	2011-08_
18	FT250.37.104a	SHAFT-2 REAR THRUST RING	1	2011-08_
18	FT250.37.104	SHAFT-2 REAR THRUST RING	1	2004-01_
19	FT250.37.103	HIGH AND LOW GEAR FIXING GEAR	1	2004-01_
19	FT250.37.103a	HIGH AND LOW GEAR SLIDING GEAR	1	2011-08_
2	GBT858-24	THRUST RING	1	2011-11_
20	GBT894.1-34	SNAP RING	1	2011-11_
21	GBT283-NUP2207E	BEARING	1	2004-01_
21	TE250.371C-02	BEARING	1	2011-11_
22	TE250.371B-01	SECOND SHAFT	1	2004-01_
22	TE250.371B-01a	SECOND SHAFT	1	2011-08_
23	FT250.37.237	TRANSFER CASE BLOCK COVER	1	2011-11_
24	FT65.38.026	Oil Plug assembly	1	2011-11_
24	FT65.38.026	Oil Plug assembly	1	2011-11_

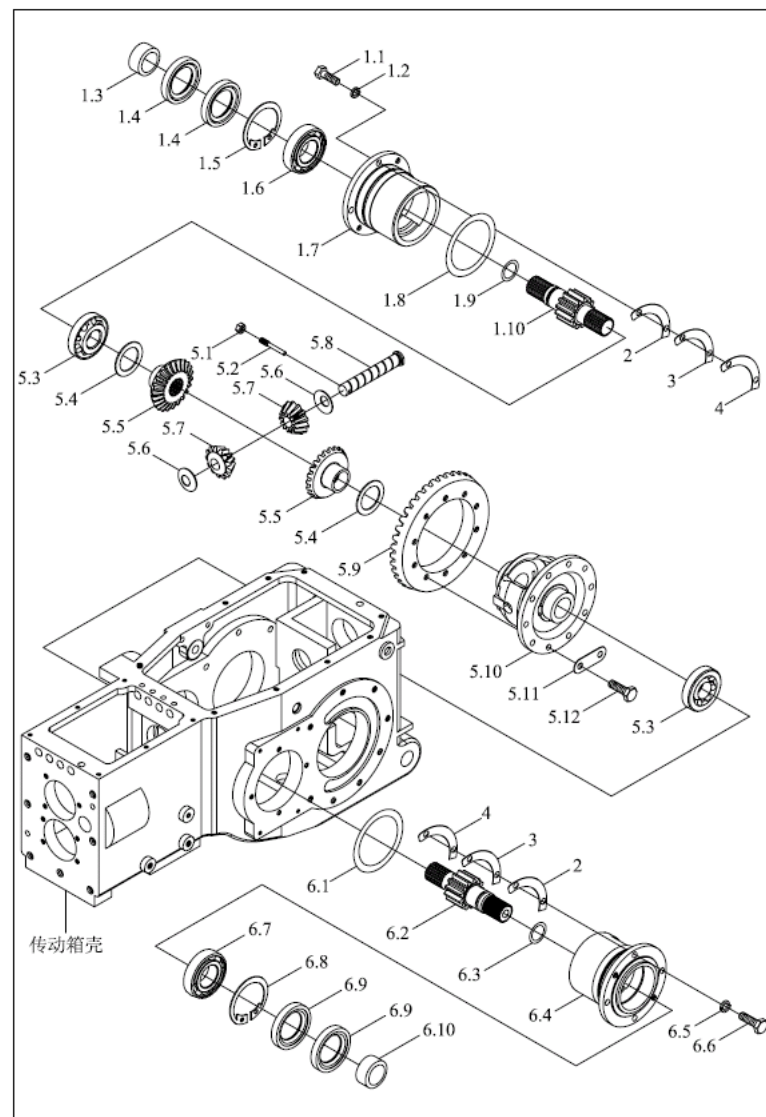
TE250.371F 传动箱总成-3



TE250.371F-3 37.1.3-传动箱总成-3(续)

标号 No.	代号 Code	名称 Description	数量 Quantity	备注 Remark
3	GBT297-31305	BEARING	2	2011-11_
4	FT250.37.121	SHAFT-2 FRONT BEARING SEAT	1	2011-11_
5	GBT5783-M10X25-A3L	BOLT	8	2011-11_
6	GBT93-10-A0P	WASHER	8	2011-11_
7	FT250.37.122	SHAFT-2 ADJUSTING WASHER	999	2011-11_
8	FT250.37.123	SHAFT-2 ADJUSTING WASHER	999	2011-11_
9	FT250.37.110a	SHAFT-2 FRONT THRUST RING	1	2011-08_
9	FT250.37.110	SHAFT-2 FRONT THRUST RING	1	2004-01_

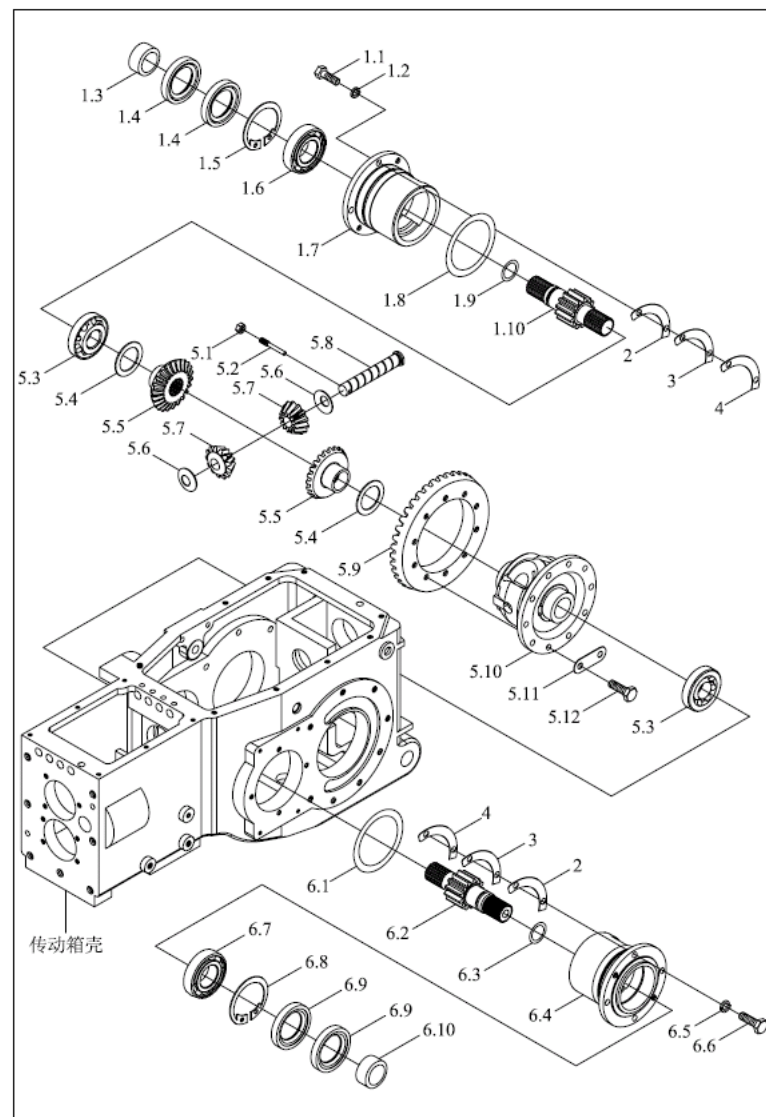
TE250.372F 传动箱后中央总成-1



TE250.372F-1 37.2.1-传动箱后中央总成-1 TRANSMISSION REAR CENTER ASSEMBLY-1

标号 No.	代号 Code	名称 Description	数量 Quantity	备注 Remark
1	TE250.372B.2	RIGHT SHORT HALF SHAFT ASSEMBLY	1	2011-11_
1.1	GBT5783-M10X35-A3L	BOLT	4	2011-11_
1.1	TE250.372B.1-01	FINAL TRANSMISSION DRIVING GEAR	1	2011-11_
1.2	GBT93-10-A0P	WASHER	4	2011-11_
1.4	TE250.372B.1-02	SHAFT SEAL	2	2011-11_
1.5	GBT893.1-80	RETAINER RING FOR HOLE	1	2011-11_
1.6	GBT276-6307	BEARING	1	2011-11_
1.7	FT250.37.207	BEARING SEAT	1	2011-11_
1.8	GBT3452.1-103X3.55G	O-SEAL RING	1	2011-11_
1.9	GBT3452.1-28X3.55G	O-SEAL RING	1	2011-11_
2	FT250.37.204	ADJUSTING WASHER	9999	2011-11_
3	FT250.37.205	ADJUSTING WASHER	9999	2011-11_
4	FT250.37.206	ADJUSTING WASHER	9999	2011-11_
5	FT250.37.013	DIFFERENTIAL ASSEMBLY	1	2011-11_
5.1	FT250.37.197	DIFFERENTIAL HOUSING	1	2011-11_
5.1	GBT6170-M8-A2L	NUT	1	2011-11_
5.11	FT250.37.195	LOCK SHIM	5	2011-11_
5.12	GBT5786-M10X1.25X25-A2L	BOLT	10	2011-11_
5.2	FT250.37.201	FIXING SCREW	1	2011-11_
5.3	GBT297-32011	BEARING	2	2011-11_
5.4	FT250.37.203	HALF SHAFT GEAR WASHER	2	2011-11_
5.5	FT250.37.202	HALF SHAFT GEAR	2	2011-11_
5.6	FT250.37.199	PLANET GEAR WASHER	2	2011-11_
5.7	FT250.37.200	PLANETARY GEAR	2	2011-11_
5.8	FT250.37.198	PLANET GEAR SHAFT	1	2011-11_

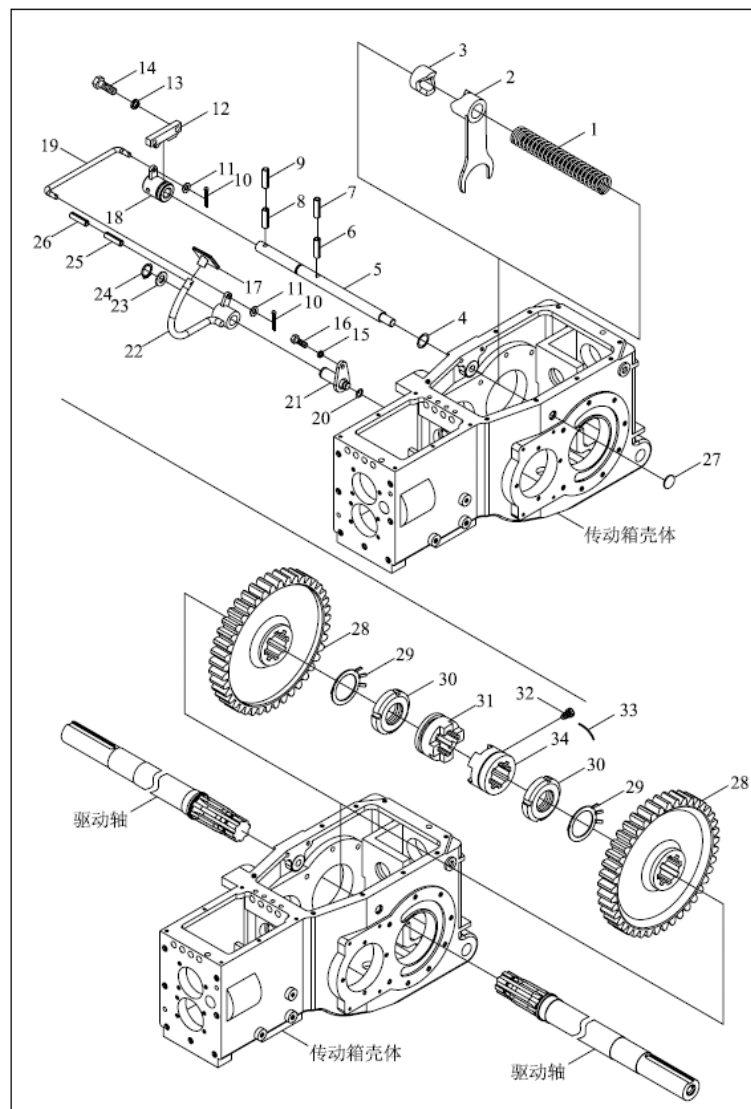
TE250.372F 传动箱后中央总成-1



TE250.372F-1 37.2.1-传动箱后中央总成-1(续)

标号 No.	代号 Code	名称 Description	数量 Quantity	备注 Remark
5.9	FT250.37.196	DRIVEN SPIRAL BEVEL GEAR	1	2011-11_
6	TE250.372B.1	LEFT SHORT HALF SHAFT ASSEMBLY	1	2011-11_
6.1	GBT3452.1-103X3.55G	O-SEAL RING	1	2011-11_
6.1	FT250.37.208	OIL SEAL COLLAR	1	2011-11_
6.10	FT250.37.208	OIL SEAL COLLAR	1	2011-11_
6.2	TE250.372B.1-01	FINAL TRANSMISSION DRIVING GEAR	1	2011-11_
6.3	GBT3452.1-28X3.55G	O-SEAL RING	1	2011-11_
6.4	FT250.37.207	BEARING SEAT	1	2011-11_
6.5	GBT93-10-AOP	WASHER	4	2011-11_
6.6	GBT5783-M10X25-A3L	BOLT	4	2011-11_
6.7	GBT276-6307	BEARING	1	2011-11_
6.8	GBT893.1-80	RETAINER RING FOR HOLE	1	2011-11_
6.9	TE250.372B.1-02	SHAFT SEAL	2	2011-11_

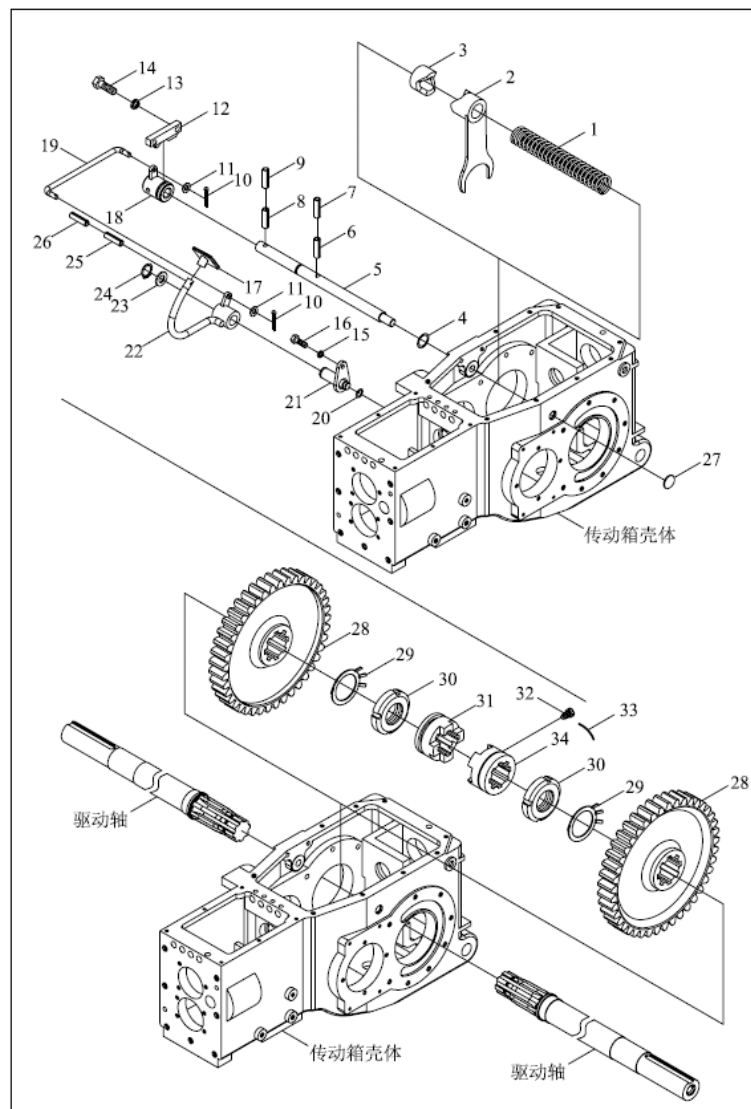
TE250.372F 传动箱后中央总成-2



TE250.372F-2 37.2.2-传动箱后中央总成-2 TRANSMISSION REAR CENTER ASSEMBLY-2

标号 No.	代号 Code	名称 Description	数量 Quantity	备注 Remark
1	FT300.38.160	DIFFERENTIAL LOCK RETURN SPRING	1	2011-11_
10	GBT91-3.2X16-A0P	PIN	2	2011-11_
11	GBT95-8-A0P	WASHER	2	2011-11_
12	TE250.372F-02	RETAINER PLATE	1	2011-11_
13	GBT93-10-A0P	WASHER	2	2011-11_
14	GBT5783-M10X30-A3L	BOLT	2	2011-11_
15	GBT93-8-A0P	WASHER	1	2011-11_
16	GBT5783-M8X20-A2L	BOLT	1	2011-11_
17	TE250.372F.4	PEDAL WELDMENT	1	2011-11_
18	TE250.372F.3	DIFFERENTIAL LOCK FORK SHAFT STEERING HUB WELDMENT	1	2011-11_
19	TE250.372F-01	DIFFERENTIAL LOCK CONTROL PULL ROD	1	2011-11_
2	TE250.372F-04	DIFFERENTIAL LOCK FORK	1	2011-11_
20	GBT3452.1-11.8X1.8G	O-SEAL RING	1	2011-11_
21	TE250.372F.2	DIFFERENTIAL LOCK STEERING HUB SHAFT WELDMENT	1	2011-11_
22	TE250.372F.1	DIFFERENTIAL LOCK ROCKER WELDMENT	1	2011-11_
23	GBT97.1-20-A0P	WASHER	1	2011-11_
23	GBT97.1-20-A0P	WASHER	1	2011-11_
24	GBT894.1-20	BLCKING RING	1	2011-11_
25	GBT879.1-5X22	PIN	1	2011-11_
26	GBT879.2-3X22	PIN	1	2011-11_
27	FT250.37.232	PLIUG PIECE	1	2011-11_
28	TE250.372B-01	FINAL TRANSMISSION DRIVEN GEAR	2	2011-11_
29	GBT858-52	THRUST RING	2	2011-11_
3	TE250.372F-05	DIFFERENTIAL LOCK DIAL BLOCK	1	2011-11_
30	GBT812-M52X1.5	ROUND NUT	2	2011-11_

TE250.372F 传动箱后中央总成-2



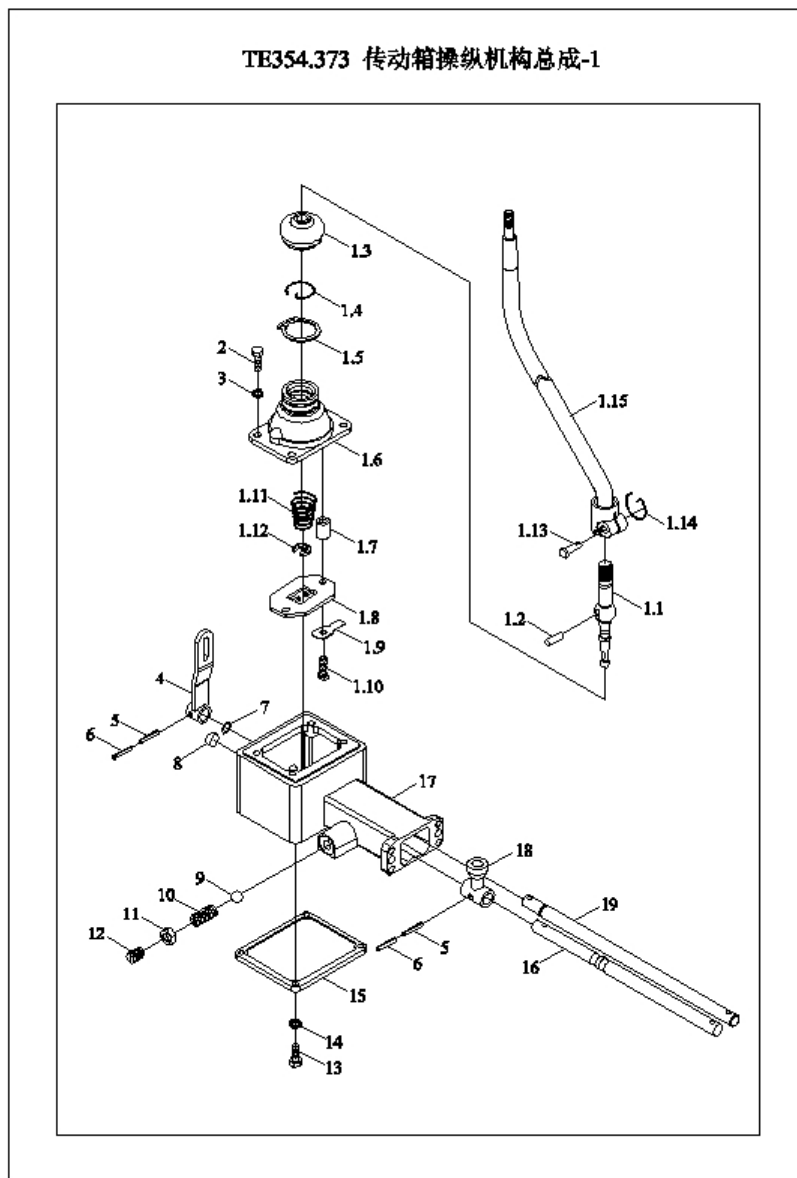
TE250.372F-2 37.2.2-传动箱后中央总成-2(续)

标号 No.	代号 Code	名称 Description	数量 Quantity	备注 Remark
31	FT250.37.261	RIGHT JAW	1	2011-11_
32	FT250.37.264	LOCKING NUT	1	2011-11_
33	TE250.372B-02	LOW CARBON STEEL WIRE	1	2011-11_
34	FT250.37.265	LEFT JAW	1	2011-11_
35	TE250.372F-06	DUST COVER	1	2011-11_
4	GBT3452.1-15.0X2.65G	O-SEAL RING	1	2011-11_
5	TE250.372F-03	DIFFERENTIAL LOCK FORK SHAFT	1	2011-11_
6	GBT879.1-8X40	PIN	1	2011-11_
7	GBT879.1-5X40	PIN	1	2011-11_
7	GBT879.1-5X40	PIN	1	2011-11_
8	GBT879.1-8X35	PIN	1	2011-11_
9	GBT879.1-5X35	PIN	1	2011-11_

TE250.373F-1 37.3.1-传动箱操纵机构总成-1 TRANSMISSION CONTROL MECHANISM ASSEMBLY-1

标号 No.	代号 Code	名称 Description	数量 Quantity	备注 Remark
0	TE250.373F.1	SIDE-MOUNTED CONTROL MECHANISM ASSEMBLY	1	2011-11_
1	TE250.373F.1.1	MAIN GEARSHIFT CONTROL COVER ASSEMBLY	1	2011-11_
1.1	TE250.373F.1.1-01	MAIN GEARSHIFT CONTROL ROD	1	2001-11_
1.1	TE250.373F.1.1-01a	MAIN GEARSHIFT CONTROL ROD	1	2008-08_
1.1	GBT5782-M8X40-A2L	BOLT	2	2011-11_
1.11	FT250.37.183	GEARLEVER SPRING	1	2011-11_
1.11	FT250.37.183	GEARLEVER SPRING	1	2011-11_
1.12	FT300.37.164	GEARLEVER SPRING RETAINER RING	1	2011-11_
1.3	FT800.37.138	GEARLEVER DUSTPROOF BONNET	1	2011-11_
1.4	FT250.37.248	SNAP RING	1	2011-11_
1.5	GBT894.1-45	RETAINER RING	1	2011-11_
1.6	FT250.37.211	MAIN GEARLEVER SEAT	1	2011-11_
1.7	TE250.373F.1.1-03	PAD BLOCK	2	2011-11_
1.8	TE250.373F.1.1-02	GEARLEVER LOCATING PLATE	1	2011-11_
1.9	GBT854-8	WASHER	2	2011-11_
10	FT704.42B.163	FORK SHAFT LOCATING SPRING	1	2011-11_
11	GBT6172.1-M12-A3L	NUT	1	2011-11_
12	GBT73-M12X25-A3L	SCREW	1	2011-11_
12	GBT73-M12X25-A3L	SCREW	1	2011-11_
13	GBT5783-M6X20-A2L	BOLT	4	2011-11_
14	GBT93-6-A0P	SPRING WASHER	4	2011-11_
15	TE250.373F.1-03	SIDE-MOUNTED CONTROL LOWER COVER	1	2011-11_
16	TE250.373F.1-05	MAIN GEARSHIFT CONTROL TRANSFER ROD	1	2011-11_
16	TE250.373F.1-05	MAIN GEARSHIFT CONTROL TRANSFER ROD	1	2011-11_
17	TE250.373F.1-01	SIDE-MOUNTED CONTROL UPPER COVER	1	2011-11_

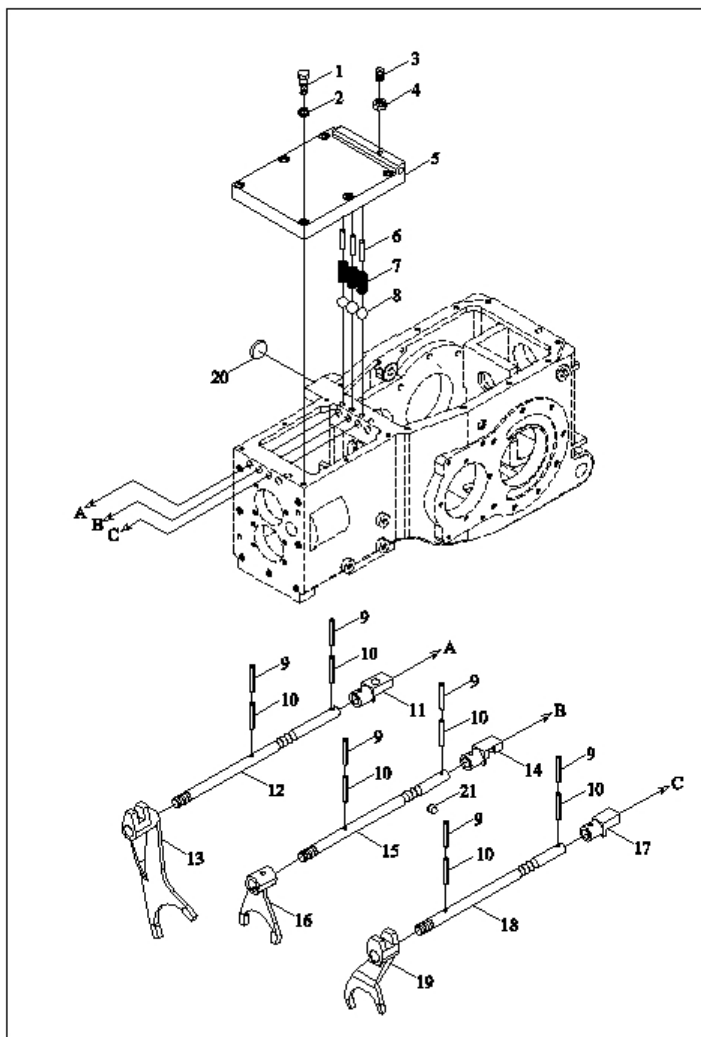
TE354.373 传动箱操纵机构总成-1



TE250.373F-1 37.3.1-传动箱操纵机构总成-1(续)

标号 No.	代号 Code	名称 Description	数量 Quantity	备注 Remark
18	TE250.373F.1-02	MAIN GEARSHIFT OUTER CONTROL FORK HEAD	1	2011-11_
19	TE250.373F.1-04	AUXILIARY GEARSHIFT CONTROL TRANSMISSION ROD	1	2011-11_
2	GBT5783-M8X25-A2L	BOLT	4	2011-11_
3	GBT93-8-A0P	WASHER	4	2011-11_
4	TE250.373F.1.2	AUXILIARY GEARSHIFT LOWER CONTROL ROCKER WELDMENT	1	2011-11_
5	GBT879.2-3.5X24	PIN	2	2011-11_
6	GBT879.1-6X24	PIN	2	2011-11_
7	GBT3452.1-11.8X1.80G	O-SEAL RING	1	2011-11_
8	Q72218	PLUG PIECE	1	2011-11_
9	GBT308-9.5-G200-b	BALL	1	2011-11_

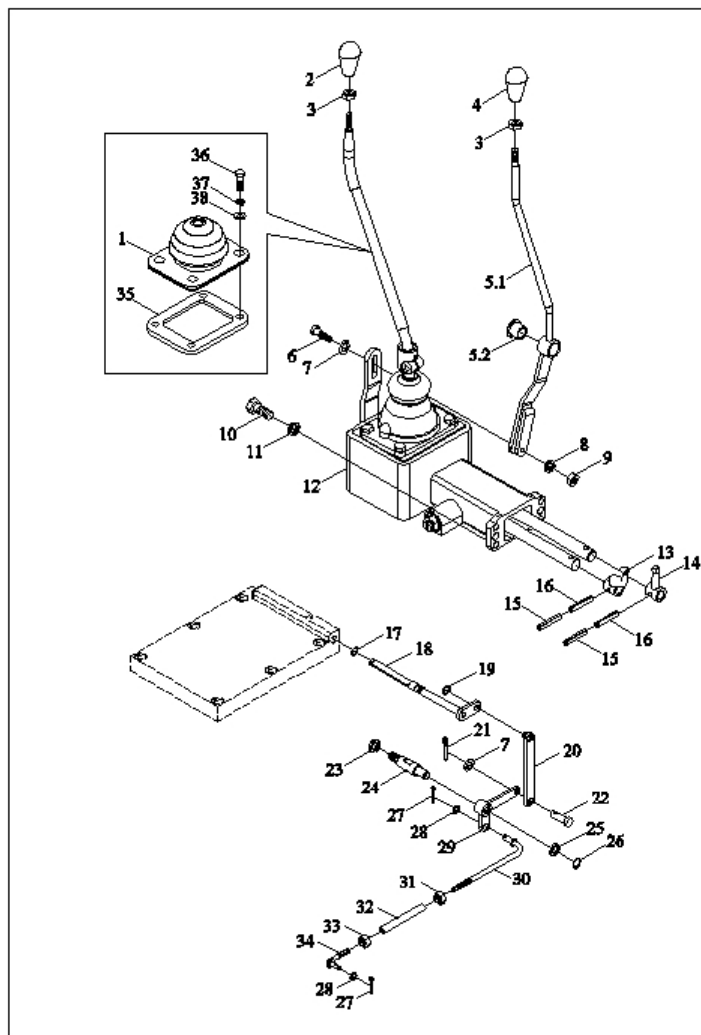
TE354.373 传动箱操纵机构总成-2



TE250.373F-2 37.3.2-传动箱操纵机构总成-2 TRANSMISSION CONTROL MECHANISM ASSEMBLY-2

标号 No.	代号 Code	名称 Description	数量 Quantity	备注 Remark
1	GBT5783-M8X40-A2L	BOLT	6	2011-11_
10	GBT879.1-3X24	PIN	6	2011-11_
11	TE250.373F-11	HIGH AND LOW GEAR DIAL BLOCK	1	2011-11_
12	TE250.373F-08	HIGH AND LOW GEAR FORK SHAFT	1	2011-11_
13	FT250.37.145	HIGH AND LOW GEAR FORK	1	2011-11_
14	TE250.373F-10	III-IV GEAR DIAL BLOCK	1	2011-11_
15	TE250.373F-07	III-IV FORK SHAFT	1	2011-11_
16	TE250.373B-01	III-IV GEAR FORK	1	2011-11_
17	TE250.373F-09	I-II GEAR DIAL BLOCK	1	2011-11_
18	TE250.373F-06	I-II GEAR FORK SHAFT	1	2011-11_
19	FT250.37.131	I-II GEAR FORK	1	2011-11_
2	GBT93-8-A0P	WASHER	6	2011-11_
20	Q72114	PLUG PIECE	1	2011-11_
21	FT700.37.198	GEARLEVER SEAT	1	2011-11_
3	FT250.37.249	FIXING SCREW	1	2011-11_
4	GBT6173-M8X1-A2L	NUT	1	2004-01_
5	TE250.373F-01	GEARBOX INTERLOCK PRESSURE COVER	1	2011-11_
6	FT250.37.250	FIXING PIN	3	2011-11_
7	FT250.37.148	FORK SHAFT LOCKING SPRING	3	2011-11_
7	FT250.37.148	FORK SHAFT LOCKING SPRING	3	2011-11_
8	GBT308-8.731-G200-b	BALL	3	2010-07_
8	GBT308-8-G100-B	BALL	3	2011-11_
9	GBT879.1-5X24	PIN	6	2011-11_

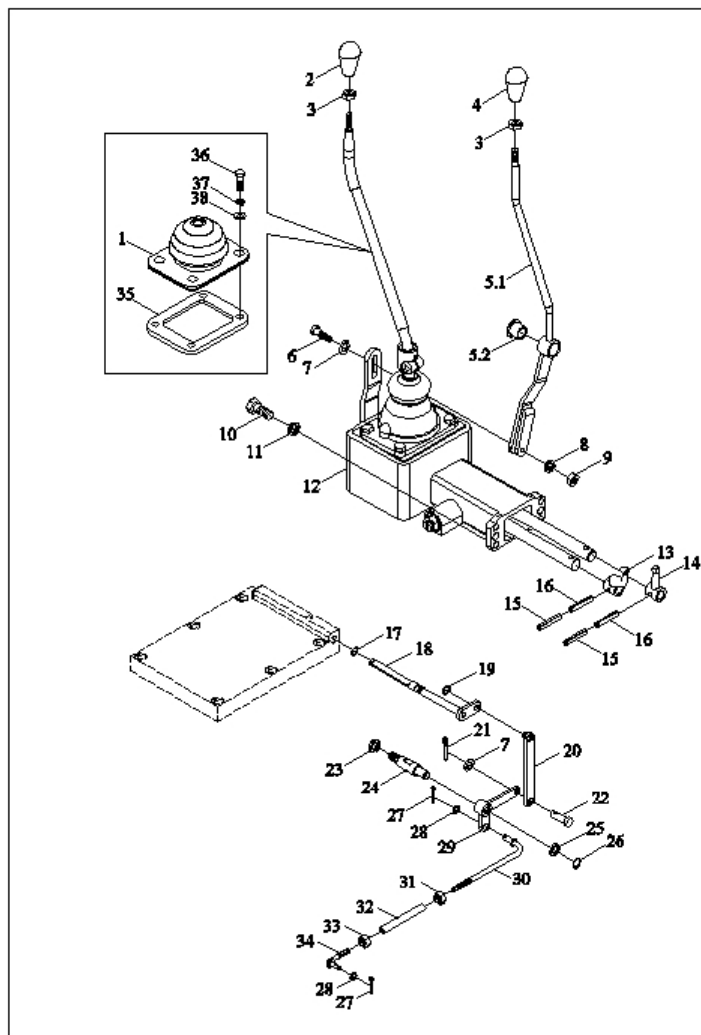
TE354.373 传动箱操纵机构总成-3



TE250.373F-3 37.3.3-传动箱操纵机构总成-3 TRANSMISSION CONTROL MECHANISM ASSEMBLY-3

标号 No.	代号 Code	名称 Description	数量 Quantity	备注 Remark
1	GBT5783-M5X12-A2L	BOLT	4	2011-11_
10	GBT95-8-A0P	WASHER	4	2011-11_
11	GBT93-6-A0P	SPRING WASHER	1	2011-11_
12	GBT6170-M6-A2L	NUT	1	2011-11_
13	GBT5783-M8X25-A2L	BOLT	4	2011-11_
14	GBT93-8-A0P	WASHER	4	2011-11_
15	TE250.373F.1	SIDE-MOUNTED CONTROL MECHANISM ASSEMBLY	1	2011-11_
16	TE250.373F-02	MAIN GEARSHIFT CONTROL INNER FORK HEAD	1	2011-11_
17	TE250.373F-03	AUXILIARY GEARSHIFT CONTROL INNER DIAL HEAD	1	2011-11_
18	GBT879.2-3.5X24	PIN	2	2011-11_
19	GBT879.1-6X24	PIN	2	2011-11_
2	GBT95-5-A0P	WASHER	4	2011-11_
20	GBT3452.1-8.75X1.80G	O-SEAL RING	1	2011-11_
21	TE250.373F.2	INTERLOCKING SHAFT WELDMENT	1	2011-11_
21	TE250.373F.2	INTERLOCKING SHAFT WELDMENT	1	2011-11_
22	GBT91-3.2X20-A0P	PIN	3	2011-11_
22	GBT91-3.2X20-A0P	PIN	3	2011-11_
23	TE250.373F-04	INTERLOCKING UPPER PULL ROD	1	2011-11_
23	TE250.373F-04	INTERLOCKING UPPER PULL ROD	1	2011-11_
24	GBT93-12-A0P	SPRING WASHER	2	2011-11_
25	TE250.373B-04	STUD	1	2011-11_
26	GBT848-12-A0P	WASHER	1	2011-11_
27	GBT894.1-12	SNAP RING	1	2011-11_
28	JBT982-8	COMBINED GASKET	2	2011-11_
29	TE250.373F.3	BREATHER BENDING PIPE WELDMENT	1	2011-11_

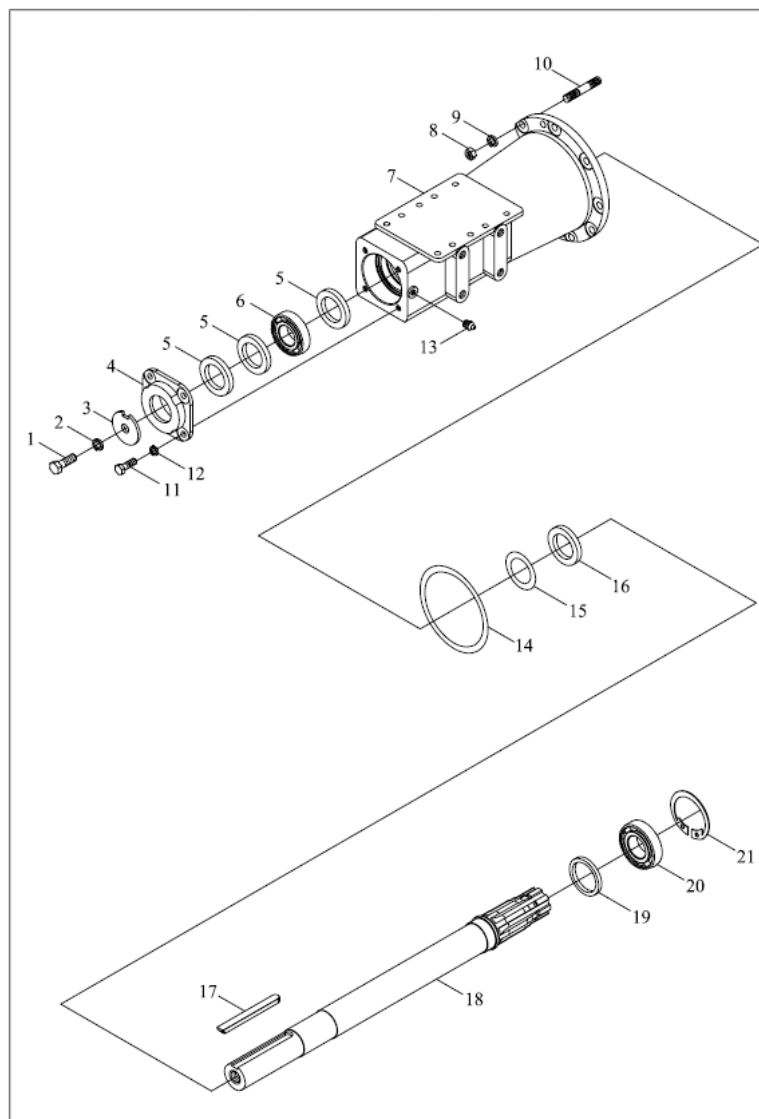
TE354.373 传动箱操纵机构总成-3



TE250.373F-3 37.3.3-传动箱操纵机构总成-3(续)

标号 No.	代号 Code	名称 Description	数量 Quantity	备注 Remark
3	TE250.373F-12	PRESSURE PLATE	1	2011-11_
30	FT250.37.402	HOLLOW BOLT	1	2011-11_
31	GBT91-3.2X25-A0P	PIN	1	2011-11_
31	GBT91-3.2X25-A0P	PIN	1	2011-11_
32	GBT95-10-A0P	WASHER	1	2011-11_
33	FT300.43.108	PULL ROD FRONT FORK	1	2011-11_
34	GBT882-B10X28-A0P	PIN	1	2011-11_
35	TE250.373F-05	INTERLOCKING LOWER PULL ROD	1	2011-11_
36	TE250.373F.4	INTERLOCKING ROTARY SLEEVE WELDMENT	1	2011-11_
36	TE250.373F.4	INTERLOCKING ROTARY SLEEVE WELDMENT	1	2011-11_
4	TG1254.454A-01	SEAL SLEEVE	1	2004-01_
5	TE250.371G.2.2	MAIN GEARSHIFT CONTROL HANDLE ASSEMBLY	1	2011-11_
6	GBT6170-M10-A3L	NUT	3	2011-11_
7	FT250.37.037	AUXILIARY GEARSHIFT CONTROL HANDLE	1	2011-11_
8	TE250.373F.5	AUXILIARY GEARSHIFT UPPER CONTROL ROD PRESSURE UNIT	1	2011-11_
8.1	TE250.373F.5.1	AUXILIARY GEARSHIFT UPPER CONTROL ROD WELDMENT	1	2011-11_
8.2	TE254.582H.11-01	NYLON SLEEVE	1	2011-11_
9	TE250.373F-13	STEP BOLT	1	2011-11_

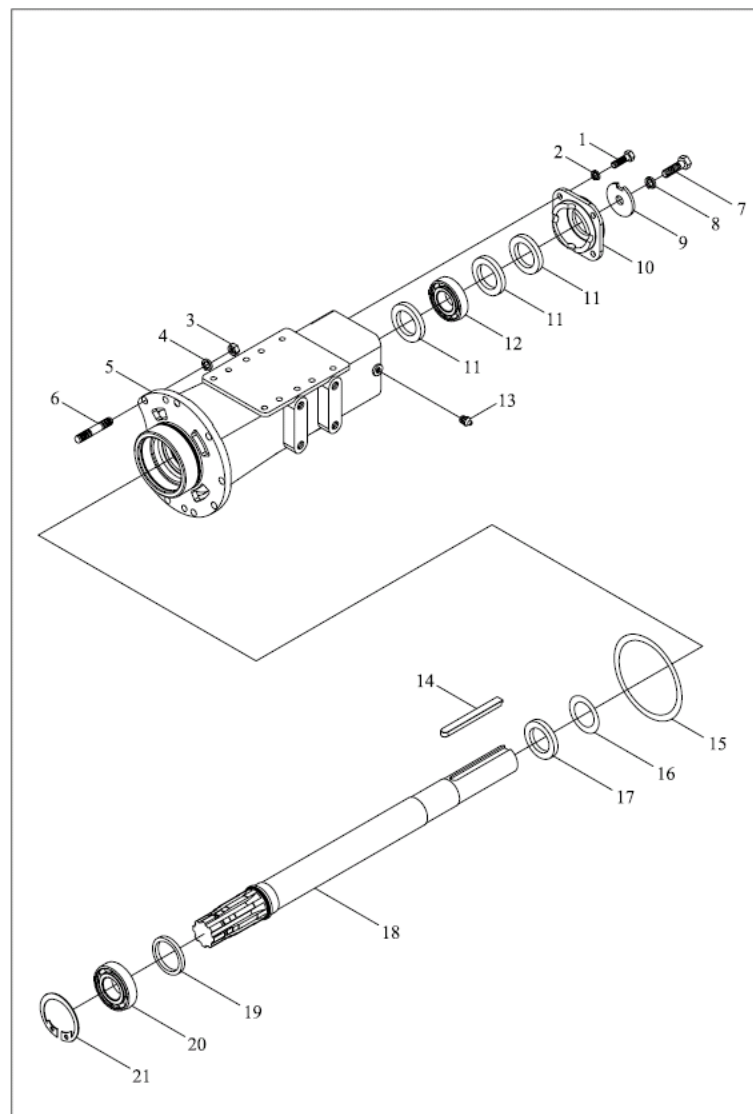
TE250.391C 最终传动总成(左)



TE250.391C 39.1-最终传动总成(左) 39.1-FINAL TRANSMISSION ASSEMBLY (LEFT)

标号 No.	代号 Code	名称 Description	数量 Quantity	备注 Remark
1	GBT5783-M16X35-A3L	BOLT	1	2011-11_
10	GBT898-AM12-M12X1.25X30-A2L	8.8-A3L STUD	8	2011-11_
11	GBT5783-M10X25-A3L	BOLT	4	2011-11_
12	GBT93-10-A0P	WASHER	4	2011-11_
13	JBT7940.1-M10X1	STRAIGHT PRESSURE FILLING OIL CUP	1	2011-11_
14	GBT3452.1-112X3.55G	O-SEAL RING	1	2011-11_
15	FT250.37.242	OIL SEAL SPACER RING	1	2011-11_
16	GBT9877.1-FB55X75X8F	O RING	1	2010-06_
16	GBT9877.1-FB55X75X8D	O RING	1	2009-04_
17	FT250.37.215	FLAT KEY	1	2011-11_
18	FT250.37B.212	DRIVING SHAFT	1	2011-11_
19	FT250.37.218	BEARING RETAINER RING	1	2011-11_
2	GBT93-16-A0P	SPRING WASHER	1	2011-11_
20	GBT276-6211	BEARING	1	2011-11_
21	GBT893.1-100	SNAP RING	1	2011-11_
3	FT250.37.216	RETAINER RING	1	2011-11_
4	FT250.37.214	DRIVING SHAFT BEARING COVER	1	2011-11_
5	GBT9877.1-FB50X72X8D	O RING	3	2009-04_
5	GBT9877.1-FB50X72X8F	O RING	3	2010-06_
6	GBT276-6210	BEARING	1	2011-11_
8	GBT6171-M12X1.25-A2L	NUT	8	2004-01_
9	GBT93-12-A0P	SPRING WASHER	8	2011-11_

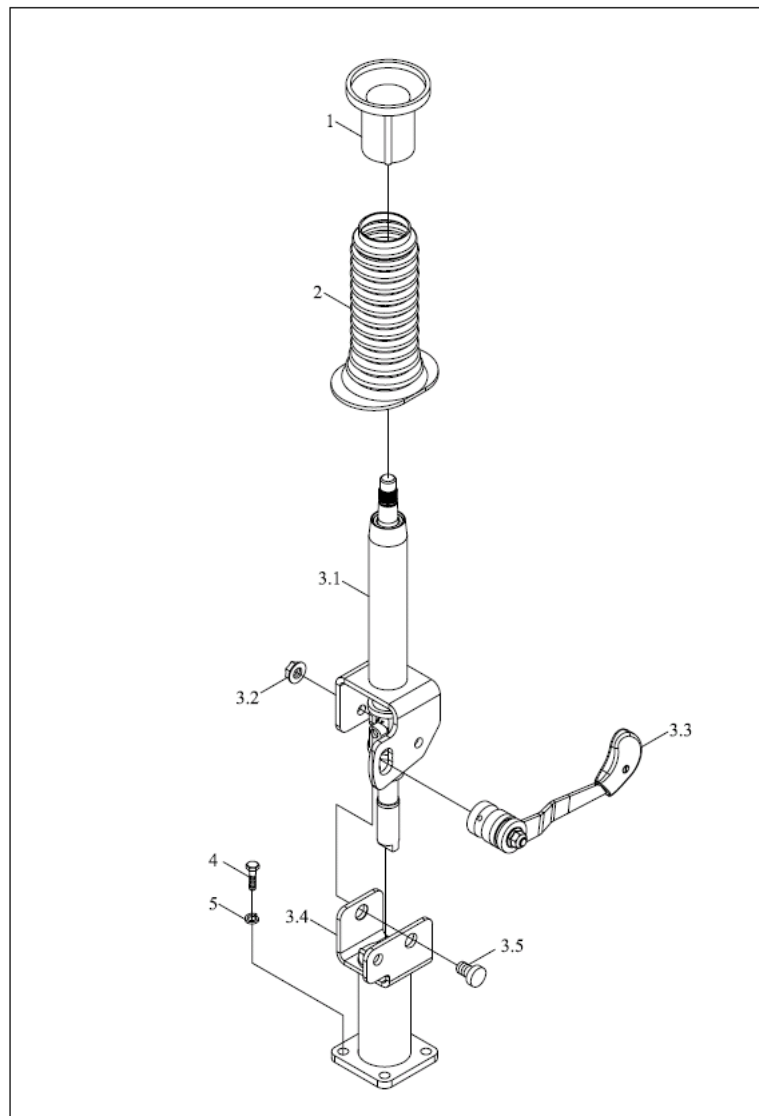
TE250.392C 最终传动总成(右)



TE250.392C 39.2-最终传动总成(右) 39.2-FINAL TRANSMISSION ASSEMBLY (RIGHT)

标号 No.	代号 Code	名称 Description	数量 Quantity	备注 Remark
1	GBT5783-M10X25-A3L	BOLT	4	2011-11_
10	FT250.37.214	DRIVING SHAFT BEARING COVER	1	2011-11_
11	GBT9877.1-FB50X72X8F	O RING	3	2011-06_
11	GBT9877.1-B50X72X8D	O RING	3	2009-04_
12	GBT276-6210	BEARING	1	2011-11_
13	JBT7940.1-M10X1	STRAIGHT PRESSURE FILLING OIL CUP	1	2011-11_
14	FT250.37.215	FLAT KEY	1	2011-11_
15	GBT3452.1-112X3.55G	O-SEAL RING	1	2011-11_
16	FT250.37.242	OIL SEAL SPACER RING	1	2011-11_
17	GBT9877.1-FB55X75X8D	O RING	1	2009-04_
17	GBT9877.1-FB55X75X8F	O RING	1	2010-06_
18	FT250.37B.212	DRIVING SHAFT	1	2011-11_
19	FT250.37.218	BEARING RETAINER RING	1	2011-11_
2	GBT93-10-AOP	WASHER	4	2011-11_
20	GBT276-6211	BEARING	1	2011-11_
21	GBT893.1-100	SNAP RING	1	2011-11_
3	GBT6171-M12X1.25-A2L	NUT	8	2004-01_
4	GBT93-12-AOP	WASHER	8	2011-11_
5	TE250.392C-01	RIGHT DRIVING SHAFT SLEEVE	1	2011-11_
6	GBT898-AM12-M12X1.25X30-A2L	8.8-A3L STUD	8	2011-11_
7	GBT5783-M16X35-A3L	BOLT	1	2011-11_
8	GBT93-16-AOP	WASHER	1	2013-07_
9	FT250.37.216	RETAINER RING	1	2011-11_

TE254.403B 可调转向管柱装配总成-1

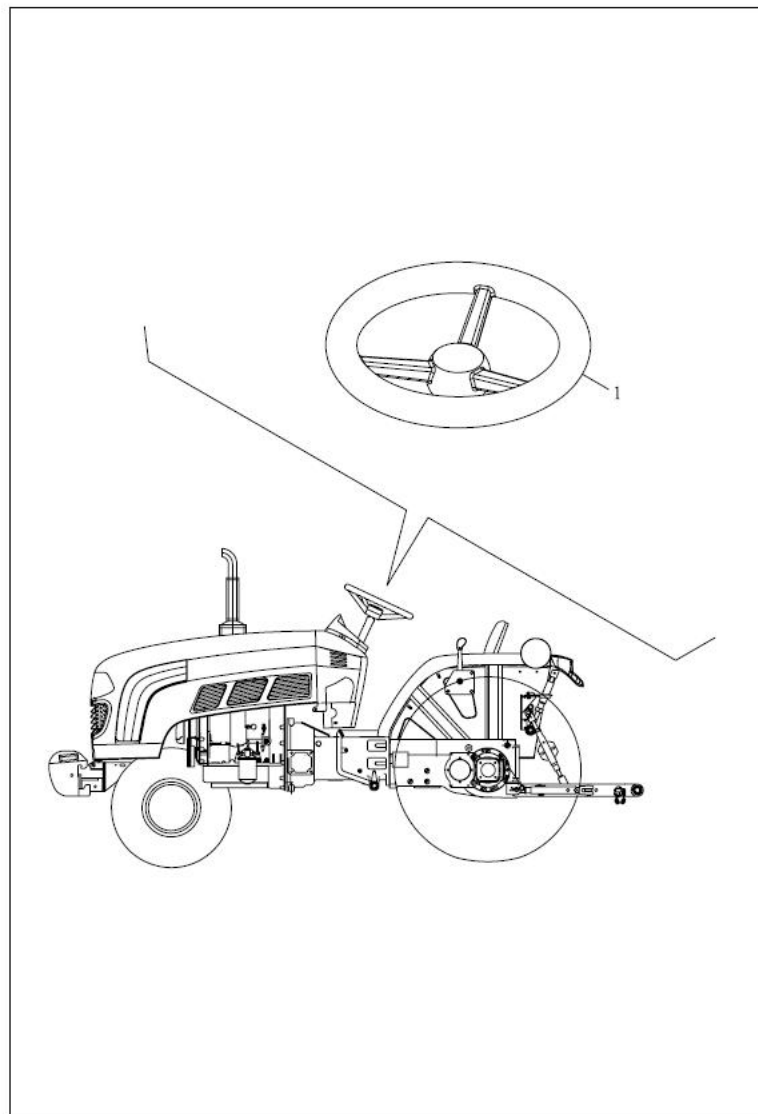


TE254.403B-1 40.1-可调转向管柱装配总成-1 ADJUSTABLE STEERING COLUMN INSTALLATION ASSEMBLY-

1

标号 No.	代号 Code	名称 Description	数量 Quantity	备注 Remark
1	FT650.40.014	HORN BRUSH SEAT ASSEMBLY	1	2011-11_
2	TE254.403B-01	STEERING ROD SLEEVE	1	2011-11_
3	TE254.403B.1	UNIVERSAL JOINT ASSEMBLY	1	2011-11_
3.1	TE254.403B.1.1	ROTARY SHAFT AND SLEEVE ASSEMBLY	1	2011-11_
3.1	TE254.403B.1.1	ROTARY SHAFT AND SLEEVE ASSEMBLY	1	2011-11_
3.2	SPL6177.1-M10-F3	NUT	2	2011-11_
3.3	TE254.403B.1.3	LOCKING MECHANISM ASSEMBLY	1	2011-11_
3.4	TE254.403B.1.2	COLUMN INSTALLATION SLEEVE WELDMENT	1	2011-11_
3.5	TE254.403B.1-01	BRACKET ROTARY SHAFT	2	2011-11_
4	GBT5783-M10X30-A3L	BOLT	4	2011-11_
5	GBT93-10-A0P	WASHER	4	2011-11_

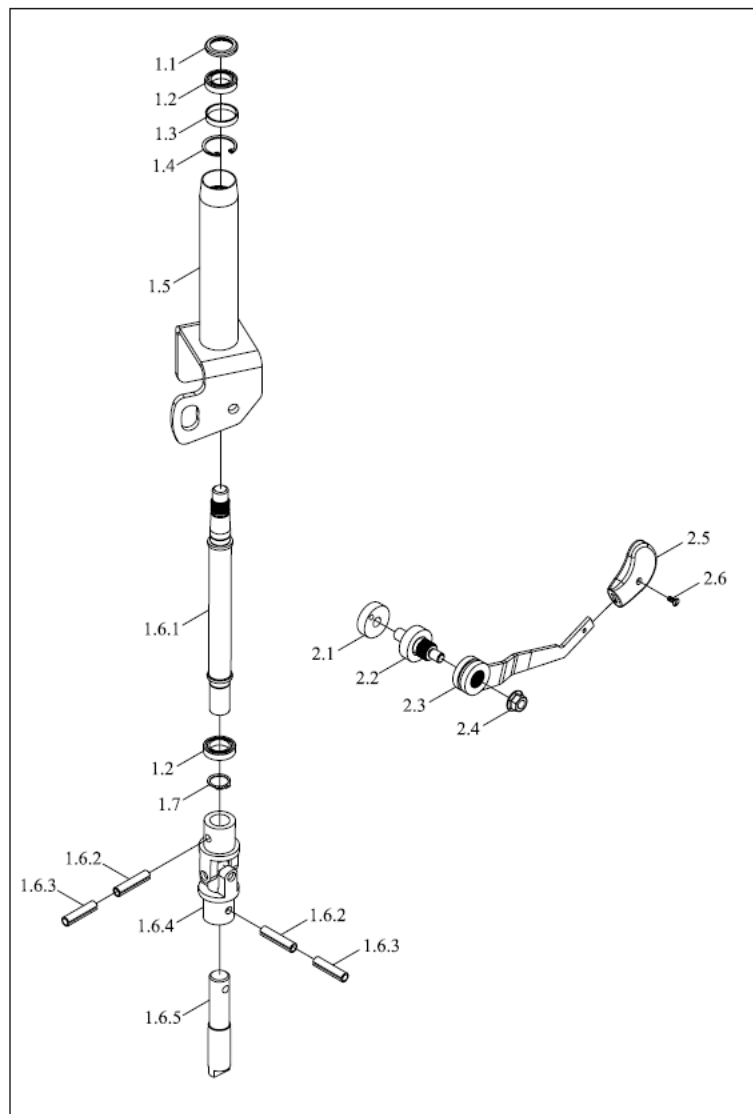
TE250.401A 转向盘总成



TE250.401AZC 40.1-转向盘总成 40.1-STEERING WHEEL ASSEMBLY

标号 No.	代号 Code	名称 Description	数量 Quantity	备注 Remark
1	TE250.401A	40.1-STEERING WHEEL ASSEMBLY	1	
1	TE250.401A	STEERING WHEEL ASSEMBLY	1	

TE254.403B 可调转向管柱装配总成-2

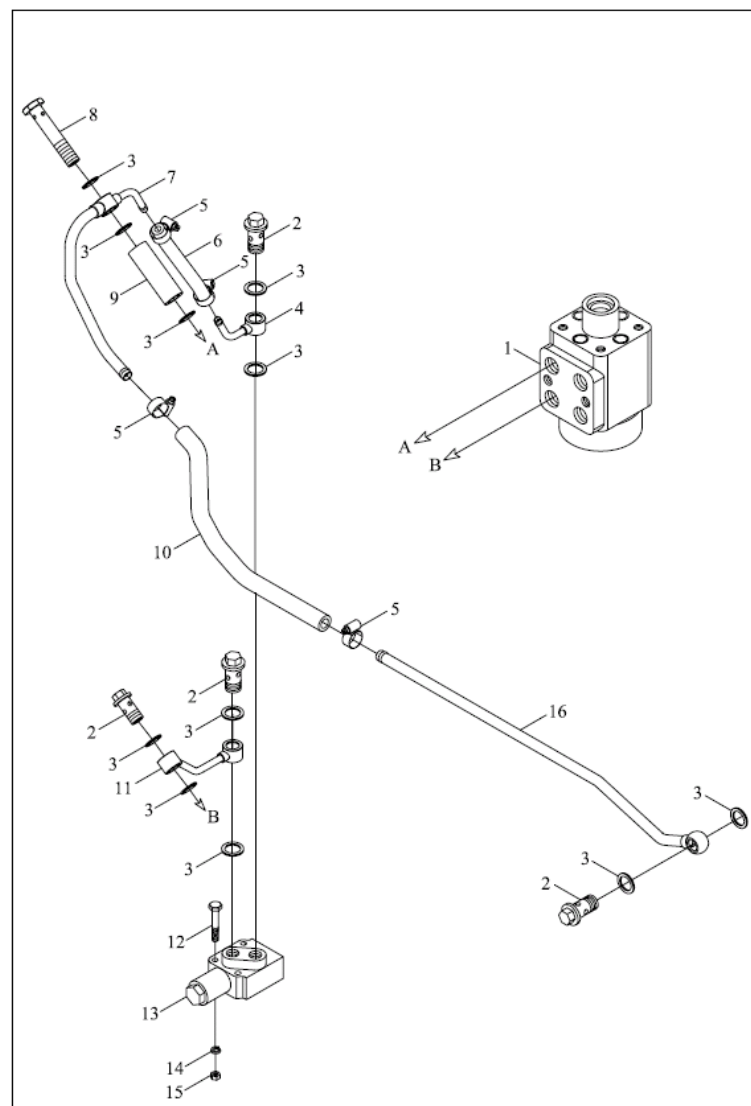


TE254.403B-2 40.2-可调转向管柱装配总成-2 ADJUSTABLE STEERING COLUMN INSTALLATION ASSEMBLY-

2

标号 No.	代号 Code	名称 Description	数量 Quantity	备注 Remark
1	TE254.403B.1.1	ROTARY SHAFT AND SLEEVE ASSEMBLY	1	2011-11_
1	TE254.403B.1.1	ROTARY SHAFT AND SLEEVE ASSEMBLY	1	2011-11_
1.1	FT650.40.172	BEARING RETAINER RING	1	2011-11_
1.2	GBT276-61804-2LS	BEARING	2	2011-11_
1.3	FT650.40.173	BEARING RETAINER RING 2	1	2011-11_
1.4	GBT893.1-32	RETAINER RING	1	2011-11_
1.5	TE254.403B.1.1.2	SLEEVE WELDMENT 1	1	2011-11_
1.6	TE254.403B.1.1.1	STEERING SHAFT ASSEMBLY	1	2011-11_
1.61	TE254.403B.1.1.1-01	STEERING WHEEL INSTALLATION SHAFT	1	2011-11_
1.62	GBT879.1-8X32	PIN	2	2011-11_
1.63	GBT879.1-5X32	PIN	2	2011-11_
1.64	TE254.403B.1.1.1.1	UNIVERSAL JOINT ASSEMBLY	1	2011-11_
1.64	TE254.403B.1.1.1.1	UNIVERSAL JOINT ASSEMBLY	1	2011-11_
1.65	TE254.403B.1.1.1-02	REDIRECTOR CONNECTING SHAFT	1	2011-11_
1.7	GBT894.1-20	BLCKING RING	1	2011-11_
2	TE254.403B.1.3	LOCKING MECHANISM ASSEMBLY	1	2011-11_
2.1	TE254.403B.1.3-01	FIXING WHEEL	1	2011-11_
2.2	TE254.403B.1.3.2	ROTARY SHAFT WELDMENT	1	2011-11_
2.3	TE254.403B.1.3.1	HANDLE WELDMENT	1	2011-11_
2.3	TE254.403B.1.3.1	HANDLE WELDMENT	1	2011-11_
2.4	SPL6177.1-M10-F3	NUT	1	2011-11_
2.5	TE254.403B.1.3-02	HANDLE HEAD	1	2011-11_
2.6	GBT68-M4X10-A2L		1	2011-11_

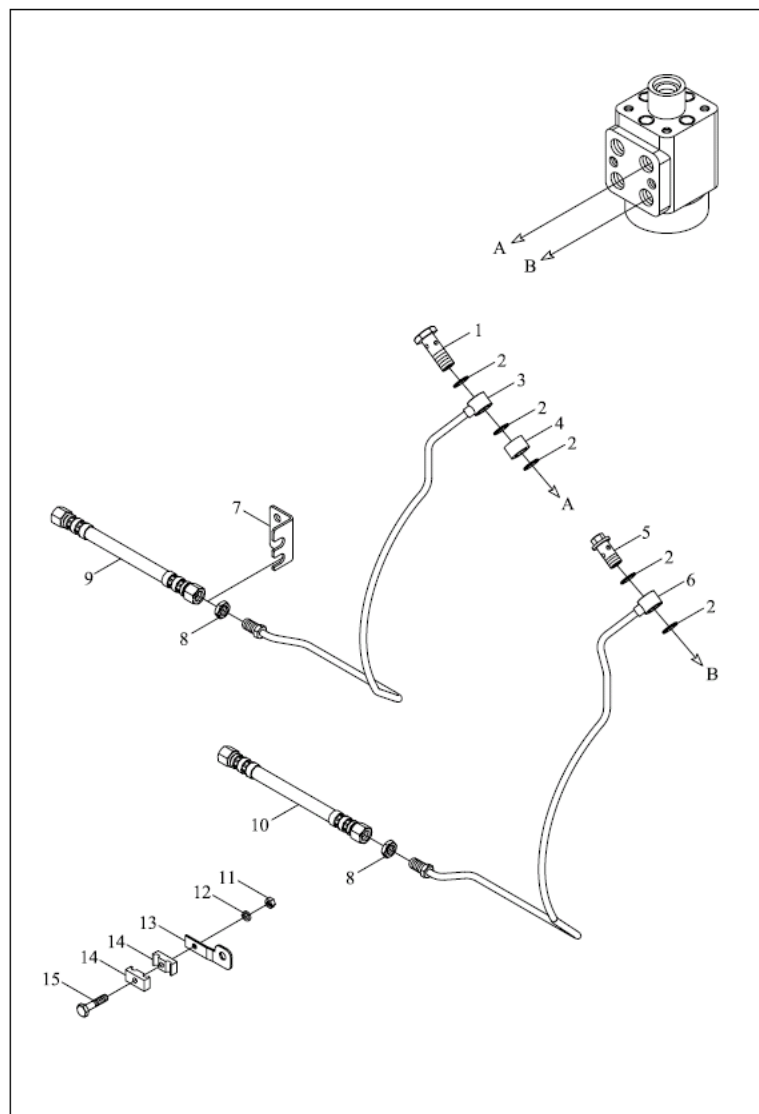
TE254.402F 转向管路总成-1



TE254.402F-1 40.2.1-转向管路总成-1 STEERING PIPE ASSEMBLY-1

标号 No.	代号 Code	名称 Description	数量 Quantity	备注 Remark
1	FT254.40.028	HYDRAULIC STEERING MECHANISM ASSEMBLY	1	2011-11_
10	TE254.402F-03	OIL RETURN HOSE	1	2010-04_
10	FT700.40G.101	OIL RETURN HOSE	1	2004-01_
10	FT700.40G.101	OIL RETURN HOSE	1	2004-01_
11	TE254.402F.1a	OIL INLET PIPE OF STEERING GEAR	1	2011-06_
11	TE254.402F.1a	REDIRECTOR OIL INLET PIPE WELDMENT	1	2011-06_
11	TE254.402F.1	REDIRECTOR OIL INLET PIPE WELDMENT	1	2004-01_
12	GBT5782-M8X60-A2L	BOLT	3	2011-11_
13	FT254.40.030	SINGLE-WAY STABILIZER DIVERTER VALVE	1	2011-11_
14	GBT93-8-A0P	WASHER	3	2011-11_
15	GBT6170-M8-A2L	NUT	3	2011-11_
16	TE254.402F.4	OIL RETURN LONG PIPE WELDMENT	1	2011-11_
2	FT254.40.102	HOLLOW BOLT	4	2011-11_
3	JBT982-20	COMBINED SEAL GASKET	11	2011-11_
4	TE254.402F.2	OIL RETURN SHORT PIPE WELDMENT	1	2011-11_
5	Q67627	HOSE HOOP 27	4	2011-11_
6	TE254.402C-01	OIL RETURN RUBBER HOSE	1	2011-11_
7	TE254.402F.3	REDIRECTOR OIL RETURN PIPE WELDMENT	1	2011-11_
8	FT250.40A.106	HOLLOW BOLT	1	2011-11_
9	FT250.40A.105	CONNECTING TUBE	1	2011-11_

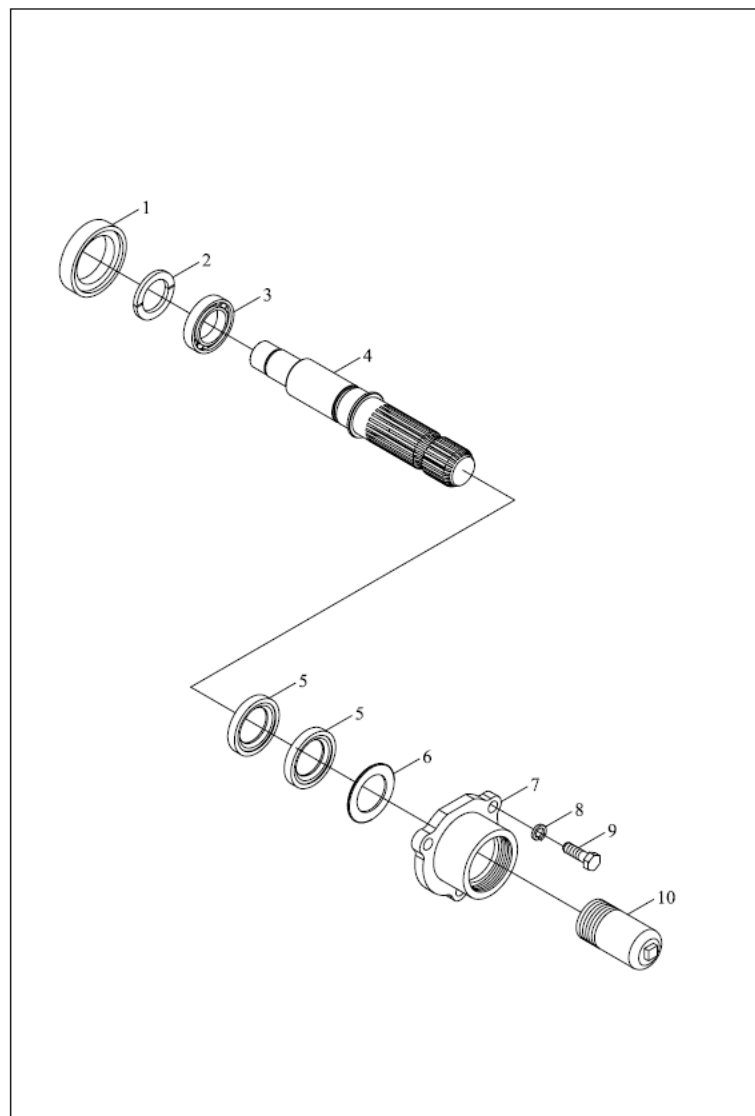
TE254.402F 转向管路总成-2



TE254.402F-2 40.2.2-转向管路总成-2 STEERING PIPE ASSEMBLY-2

标号 No.	代号 Code	名称 Description	数量 Quantity	备注 Remark
1	TH354.402-02	HOLLOW BOLT	1	2011-11_
10	GBT6170-M8-A2L	NUT	1	2011-11_
11	GBT93-8-A0P	WASHER	1	2011-11_
12	TE254.402F-02	OIL PIPE BRACKET2	1	2011-11_
13	FT354.40C.121	DOUBLE PIPE CLAMP	2	2011-11_
14	GBT5782-M8X40-A2L	BOLT	1	2011-11_
15	GBT6173-M16X1.5-A3L	NUT	2	2011-11_
2	JBT982-20	COMBINED SEAL GASKET	5	2011-11_
3	TE254.402F.5	REDIRECTOR LEFT OIL OUTLET PIPE WELDMENT	1	2011-11_
4	TH354.402-03	SPACER BUSH	1	2011-11_
5	FT254.40.102	HOLLOW BOLT	1	2011-11_
6	TE254.402F.6	REDIRECTOR RIGHT OIL OUTLET PIPE WELDMENT	1	2011-11_
7	TE254.402F-01	OIL PIPE BRACKET1	1	2011-11_
7	TE254.402F-01	OIL PIPE BRACKET1	1	2011-11_
8	TE254.402F.8	HIGH PRESSURE OIL HOSE ASSEMBLY 2	1	2011-11_
9	TE254.402F.7	HIGH PRESSURE OIL HOSE ASSEMBLY 1	1	2011-11_

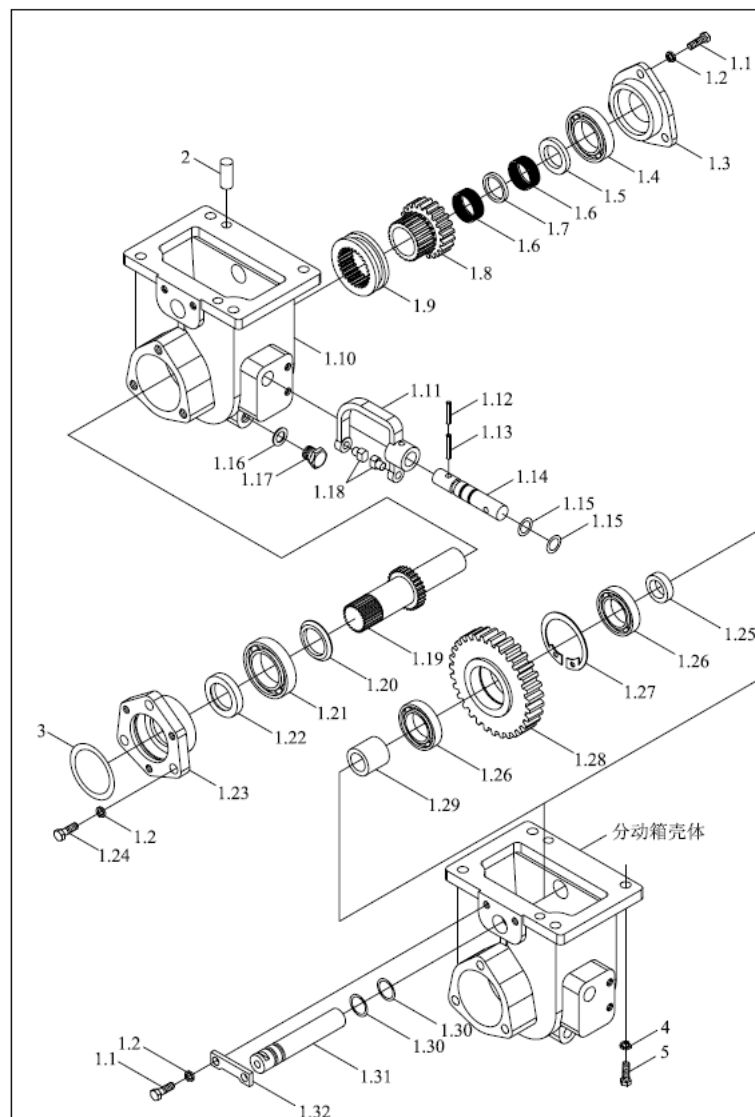
TE250.411B 动力输出轴总成



TE250.411B 41.1-双动力输出总成 DOUBLE POWER OUTPUT ASSEMBLY

标号 No.	代号 Code	名称 Description	数量 Quantity	备注 Remark
0	TE250.411B-04	THRUST WASHER RETAINER RING	999	2011-11_
0	TE250.411B-03	THRUST WASHER RETAINER RING	999	2011-11_
1	TE250.411B-02	THRUST WASHER RETAINER RING	999	2011-11_
10	TE250.411C-02	PTO SHAFT HOOD	1	2004-01_
10	TB550.412-02	PTO SHAFT HOOD	1	2010-09_
2	FT250.41.131	THRUST SHIM	1	2011-11_
3	GBT276-6207	BEARING	1	2011-11_
4	TE250.411B-01	PTO SHAFT	1	2011-11_
5	GBT9877.1-B35X55X8F	O RING	2	2004-01_
5	GBT9877.1-FB35X55X8F	O RING	2	2010-07_
6	FT250.41.133	WASHER	1	2011-11_
7	FT250.41.104	PTO SHAFT BEARING COVER	1	2011-11_
8	GBT93-10-A0P	WASHER	3	2011-11_
9	GBT5783-M10X25-A3L	BOLT	3	2011-03_

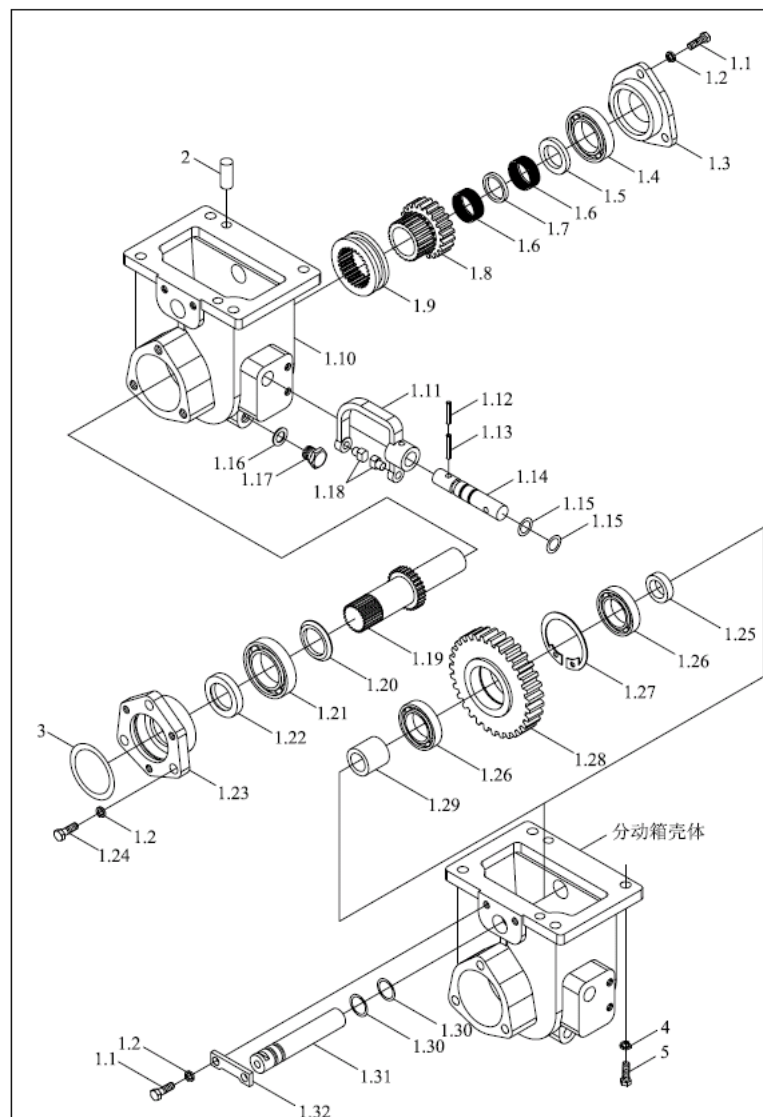
TE254.421B 分动箱总成



TE254.421B 42.1-分动箱总成 42.1-TRANSFER CASE ASSEMBLY

标号 No.	代号 Code	名称 Description	数量 Quantity	备注 Remark
1	TE254.421B.1	TRANSFER CASE HOUSING ASSEMBLY	1	2011-11_
1.1	TE254.421A.1-01	TRANSFER CASE HOUSING	1	2011-11_
1.1	GBT5783-M10X20-A3L	BOLT	5	2011-11_
1.11	TE254.421A.1-02	TRANSFER CASE FORK	1	2011-11_
1.12	GBT879.1-6X24	PIN	1	2011-11_
1.13	GBT879.1-3.5X24	PIN	1	2011-11_
1.14	TE254.421A.1-03	TRANSFER CASE FORK SHAFT	1	2011-11_
1.15	GBT3452.1-12.5X1.80G	O-SEAL RING	2	2011-11_
1.16	JBT982-12	COMBINED SEAL GASKET	1	2011-11_
1.17	Q617B12	SCREW PLUG	1	2011-11_
1.18	FT254.42.121	TRANSFER CASE FORK HEAD	2	2011-11_
1.19	FT254.42.102	OUTPUT SHAFT	1	2011-11_
1.2	FT254.42.109	OUTPUT SHAFT FRONT THRUST RING	1	2011-11_
1.2	GBT93-10-A0P	WASHER	8	2011-11_
1.21	GBT276-6206	BEARING	1	2011-11_
1.22	TE254.421.1.1	OIL SEAL	1	2011-11_
1.22	TE254.421.1.1	OIL SEAL	1	2011-11_
1.23	TE254.421A.1-09	FRONT BEARING COVER	1	2011-11_
1.24	GBT5783-M10X30-A3L	BOLT	3	2011-11_
1.25	TE254.421A.1-10	MIDDLE SHAFT SMALL THRUST RING	1	2011-11_
1.26	GBT276-6204	BEARING	2	2011-11_
1.27	GBT893.1-47	RETAINER RING	1	2011-11_
1.28	TE254.421A.1-08	TRANSFER CASE MIDDLE GEAR	1	2004-01_
1.28	TE254.421B.1-02	TRANSFER CASE MIDDLE GEAR	1	2006-12_
1.29	TE254.421A.1-11	MIDDLE SHAFT BIG THRUST RING	1	2011-11_

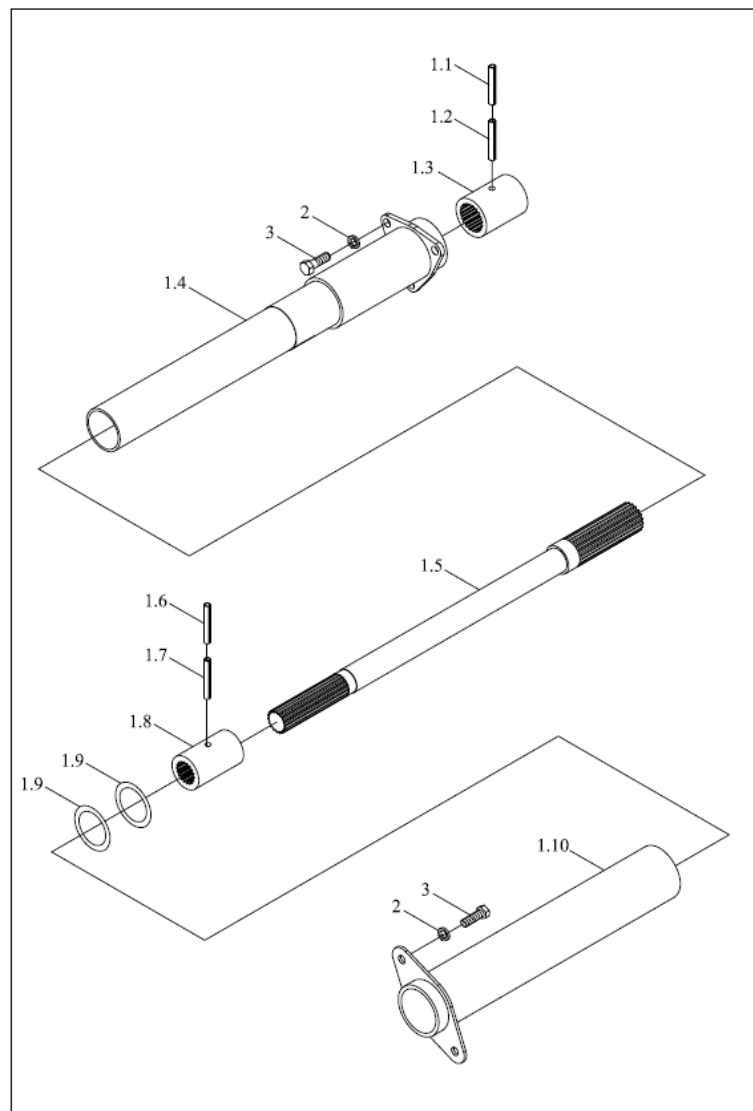
TE254.421B 分动箱总成



TE254.421B 42.1-分动箱总成(续)

标号 No.	代号 Code	名称 Description	数量 Quantity	备注 Remark
1.3	TE254.421A.1-04	REAR BEARING COVER	1	2011-11_
1.3	GBT3452.1-15.0X2.65G	O-SEAL RING	2	2011-11_
1.31	TE254.421A.1-05	MIDDLE SHAFT	1	2011-11_
1.32	TE254.421A.1-07	MIDDLE SHAFT LOCATING PLATE	1	2011-11_
1.4	GBT276-6305	BEARING	1	2011-11_
1.5	FT254.42.107	OUTPUT SHAFT REAR THRUST RING	1	2011-11_
1.5	FT254.42.107	OUTPUT SHAFT REAR THRUST RING	1	2011-11_
1.6	JBT7918-K25X31X20	NEEDLE AND CARRIER UNIT	2	
1.7	FT254.42.108	OUTPUT SHAFT ROLLING BEARING SPACER BUSH	1	2011-11_
1.8	TE254.421B.1-01a	TRANSFER CASE DRIVEN GEAR	1	2006-12_
1.9	FT254.42F.103	SHIFT COLLAR	1	2011-11_
2	GBT119.1-10m6X18-A0P	PIN	2	2011-11_
3	GBT3452.1-53.0X2.65G	O-SEAL RING	1	2004-01_
4	GBT93-10-A0P	WASHER	4	2011-11_
5	GBT5783-M10X30-10.9-A3L	BOLT	4	2011-11_

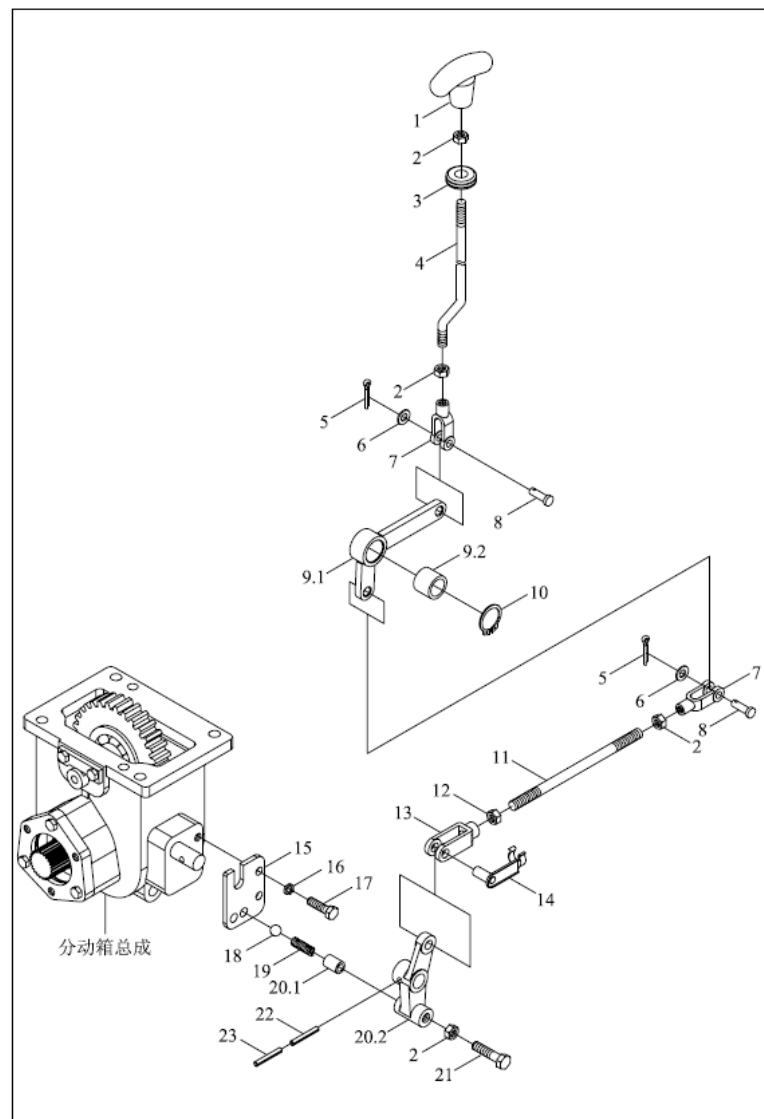
TE254.422A 分动箱传动轴总成



TE254.422A 42.2-分动箱传动总成 42.2-TRANSFER CASE TRANSMISSION ASSEMBLY

标号 No.	代号 Code	名称 Description	数量 Quantity	备注 Remark
1	TE254.422A.1	TRANSFER CASE TRANSMISSION SHAFT INSTALLATION	1	2011-11_
1.1	GBT879.1-3.5X40	PIN	1	2011-11_
1.1	TE254.422A.1.1	FRONT SLEEVE PIPE WELDMENT	1	2011-11_
1.2	GBT879.1-6X40	SPRING COLUMN PIN	1	2011-11_
1.3	FT254.42.113	SPLINE BUSH	1	2011-11_
1.4	TE254.422A.1.2	REAR SLEEVE PIPE WELDMENT	1	2011-11_
1.5	TE254.422A.1-02	TRANSFER CASE TRANSMISSION SHAFT	1	2011-11_
1.6	GBT879.1-3.5X35	PIN	1	2011-11_
1.7	GBT879.1-6X35	PIN	1	2011-11_
1.8	FT254.42F.120	FRONT SPLINE BUSH	1	2011-11_
1.9	GBT3452.1-45.0X3.55G	O-SEAL RING	2	2011-11_
2	GBT93-8-A0P	WASHER	5	2011-11_
3	GBT5781-M8X16-A2L	BOLT	5	2011-11_

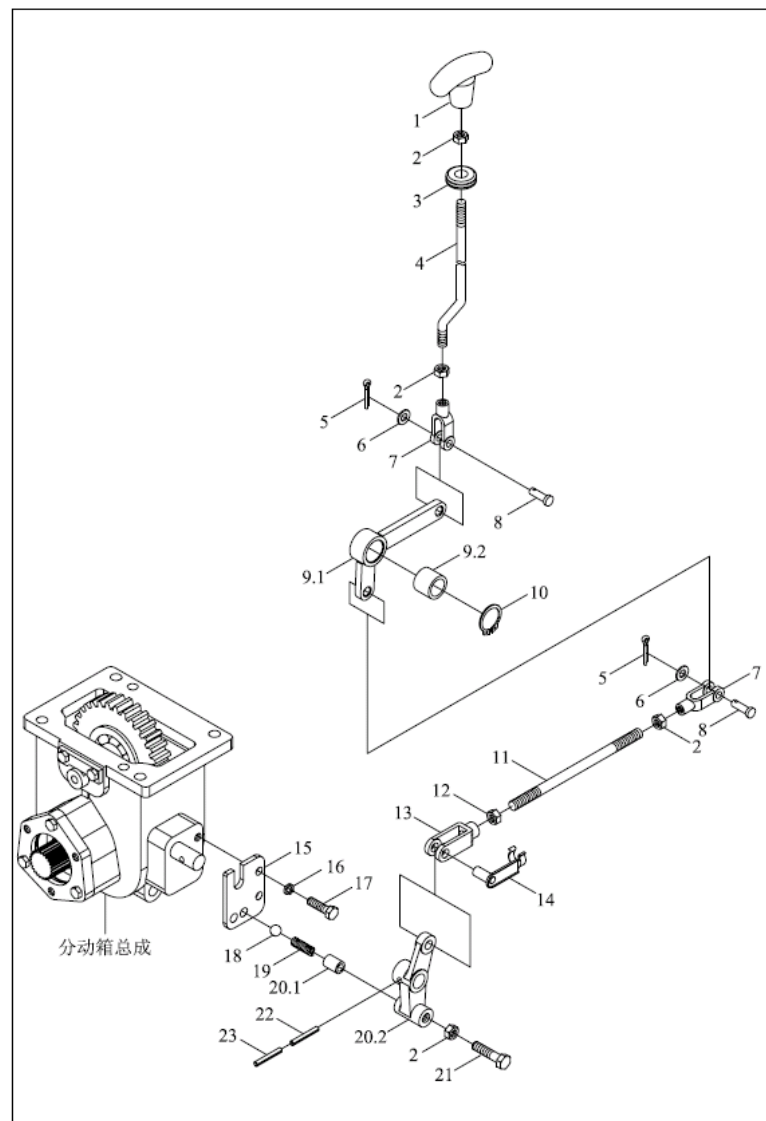
TE254.423C 分动箱操纵总成



TE254.423C 42.3-分动箱操纵总成 42.3-TRANSFER CASE CONTROL ASSEMBLY

标号 No.	代号 Code	名称 Description	数量 Quantity	备注 Remark
1	FT65.38.051	PULL/PRESS HANDLE	1	2011-11_
10	GBT894.1-20	BLCKING RING	1	2011-11_
11	TE254.423C-02	MIDDLE PULL ROD	1	2011-11_
12	GBT6170-M10-LH-A3L	NUT	1	2011-11_
13	FT800A.43B.119	LEFT REVOLVING PULL ROD FORK	1	2011-11_
14	FT800A.43B.011	LOCATING PIN RIVET UNIT	1	2011-11_
15	TE254.423A-05	LOCATING PLATE	1	2011-11_
16	GBT93-8-A0P	WASHER	2	2011-11_
17	GBT5783-M8X20-A2L	BOLT	2	2011-11_
18	GBT308-8-G100-B	BALL	1	2011-11_
19	FT304.42.124	LOCATING SPRING	1	2011-11_
2	GBT6170-M10-A3L	NUT	4	2011-11_
20	TE254.423A.1	ROCKER UNIT	1	2011-11_
20.1	FT304.42.135	SLEEVE	1	2011-11_
20.2	TE254.423A.1-01	ROCKER	1	2011-11_
21	GBT5783-M10X25-A3L	BOLT	1	2011-11_
22	GBT879.1-3.5X24	PIN	1	2011-11_
23	GBT879.1-6X24	PIN	1	2011-11_
3	TE254.423A-01	THROUGH HARNESS WASHER	1	2011-11_
3	TE254.423A-01	THROUGH HARNESS WASHER	1	2011-11_
4	TE254.423C-01	CONTROL ROD	1	2011-11_
5	GBT91-3.2X20-A0P	PIN	2	2011-11_
5	GBT91-3.2X20-A0P	PIN	2	2011-11_
6	GBT97.1-10-A0P	WASHER	2	2011-11_
7	FT300.43.108	PULL ROD FRONT FORK	2	2011-11_

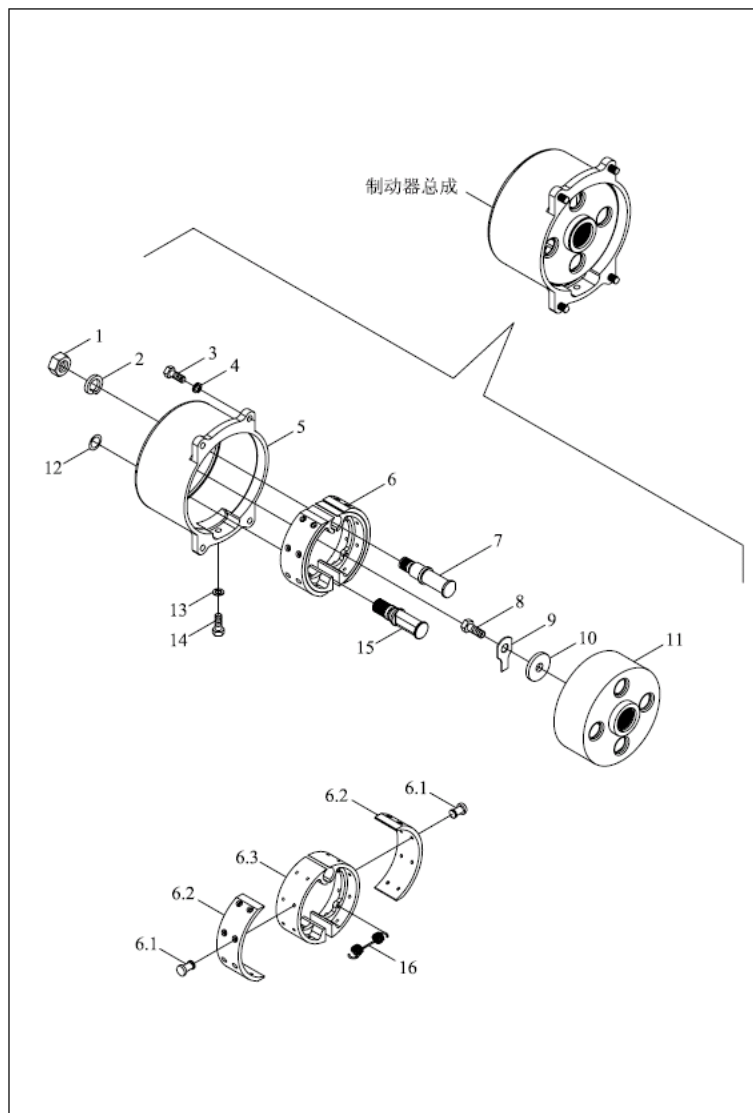
TE254.423C 分动箱操纵总成



TE254.423C 42.3-分动箱操纵总成(续)

标号 No.	代号 Code	名称 Description	数量 Quantity	备注 Remark
8	GBT882-B10X28-A0P	PIN	2	2011-11_
9	TE254.423C.1	MIDDLE ROCKER UNIT	1	2011-11_
9.1	TE254.423C.1.1	MIDDLE ROCKER WELDMENT	1	2011-11_
9.2	TE254.423C.1-01	MIDDLE ROCKER BUSH	1	2011-11_
9.2	TE254.423C.1-01	MIDDLE ROCKER BUSH	1	2011-11_

TE250.431 制动器总成



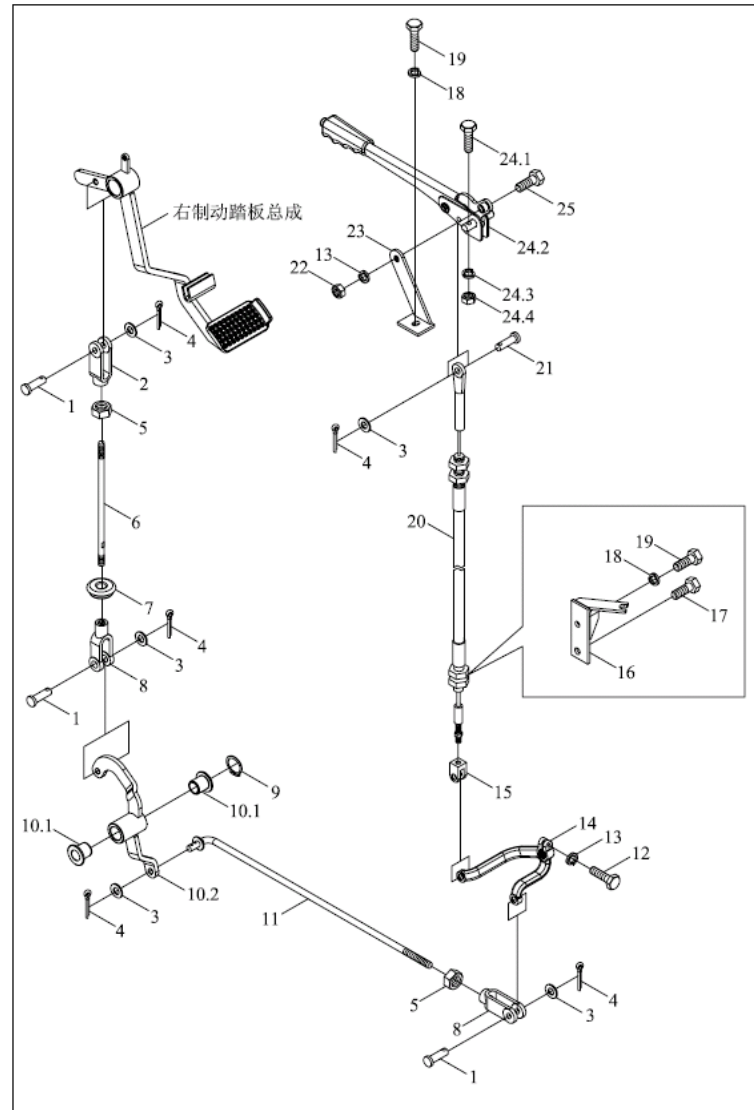
TE250.431 43.1-制动器总成 43.1-BRAKE ASSEMBLY

标号 No.	代号 Code	名称 Description	数量 Quantity	备注 Remark
1	GBT6170-M16-A3L	NUT	1	2011-11_
10	FT250.43.101	WASHER	1	2011-11_
11	FT250.43.105	BRAKE DRUM	1	2011-11_
12	GBT3452.1-15X2.65G	O-SEAL RING	1	2011-11_
13	JBT982-8	COMBINED GASKET	1	2011-11_
14	GBT5783-M8X16-A2L	BOLT	1	2011-11_
15	FT250.43.124	BRAKE CAM	1	2011-11_
16	FT250.43.123	RETURN SPRING	2	2011-11_
2	GBT93-16-A0P	SPRING WASHER	1	2011-11_
3	GBT5783-M8X25-A2L	BOLT	4	2011-11_
4	GBT93-8-A0P	WASHER	4	2011-11_
5	FT250.43.121	BRAKE HOUSING	1	2011-11_
6	FT250.43.012	BRAKE HOOF ASSEMBLY	4	2011-11_
6.1	GBT109-4X13	RIVET	16	2011-11_
6.2	FT250.43.129	BRAKE FRICTION PLATE	2	2011-11_
6.3	FT250.43.128	BRAKE SHOE	1	2011-11_
7	FT250.43.122	BRAKE PIN SHAFT	1	2011-11_
8	GBT5783-M12X25-A3L	BOLT	1	2011-11_
9	FT250.43.104a	STOPPING WASHER	1	2010-08_
9	FT250.43.104	STOPPING WASHER	1	2009-11_

TE250.433C-1 43.3.1-制动器操纵总成-1 BRAKE CONTROL ASSEMBLY-1

标号 No.	代号 Code	名称 Description	数量 Quantity	备注 Remark
1	GBT5783-M10X35-A3L	BOLT	2	2011-11_
10	GBT879.1-10X40	PIN	2	2011-11_
11	GBT879.1-6X40	SPRING COLUMN PIN	2	2011-11_
12	TE250.433C-01	ROTATING SHAFT	1	2011-11_
12	TE250.433C-01	ROTATING SHAFT	1	2011-11_
13	TE250.433C.3	LEFT ROCKER WELDMENT	1	2011-11_
2	GBT6172.1-M10-A3L	NUT	2	2011-11_
3	GBT6170-M10-A3L	NUT	2	2011-11_
4	TE200.21.101	CLUTCH PEDAL SPRING	2	2011-11_
4	TE250.212D-05	CLUTCH PEDAL RETURN SPRING	2	2011-11_
5	GBT894.1-25	RETAINER RING	1	2011-11_
6	GBT97.1-24-A0P	WASHER	1	2011-11_
6	GBT97.1-24-A0P	WASHER	1	2011-11_
7	TE250.433C.2a	RIGHT BRAKE PEDAL ASSEMBLY	1	2011-04_
7	TE250.433C.2	RIGHT BRAKE PEDAL ASSEMBLY	1	2010-11_
7.1	TE250.433C.2.1	RIGHT BRAKE PEDAL WELDMENT	1	2011-11_
7.2	TE250.433C.2-01	SLEEVE	1	2011-11_
8	TE250.433C.1	LEFT BRAKE PEDAL ASSEMBLY	1	2011-11_
8	TE250.433C.1a	LEFT BRAKE PEDAL ASSEMBLY	1	2011-04_
8.1	LA754.433.2-03	BRAKE INTERLOCK SPRING PRESSURE PIECE	1	2011-11_
8.2	LA754.433.2-02	BRAKE INTERLOCK PLATE	1	2011-11_
8.3	GBT879.2-3.5X18	PIN	1	2011-11_
8.4	GBT879.1-6X18	PIN	1	2011-11_
8.5	TE250.433C.1.1	LEFT BRAKE PEDAL WELDMENT	1	2011-11_
9	TE250.433C-02	WASHER	3	2011-11_

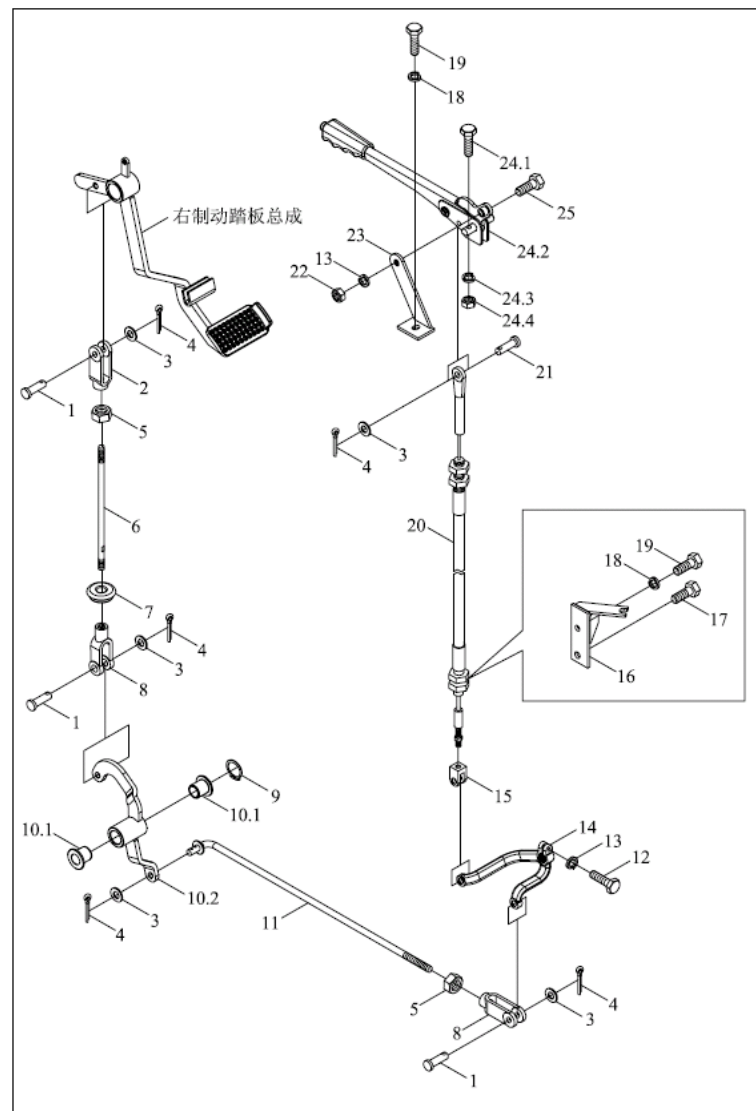
TE250.433C 制动器操纵总成-2



TE250.433C-2 43.3.2-制动器操纵总成-2 BRAKE CONTROL ASSEMBLY-2

标号 No.	代号 Code	名称 Description	数量 Quantity	备注 Remark
1	GBT882-B10X30-A0P	PIN	3	2011-11_
10	TE250.433C.5	RIGHT LOWER ROCKER ASSEMBLY	1	2011-11_
10.1	TE250.433C.4-01	SLEEVE	2	2011-11_
10.2	TE250.433C.5.1	RIGHT LOWER ROCKER WELDMENT	1	2011-11_
10.2	TE250.433C.5.1	RIGHT LOWER ROCKER WELDMENT	1	2011-11_
11	TE250.433C.11	BRAKE LONG PULL ROD WELDMENT	1	2011-11_
12	GBT5783-M8X25-A2L	BOLT	1	2011-11_
13	GBT93-8-A0P	WASHER	2	2011-11_
14	TE250.433C-03	RIGHT BRAKE ROCKER	1	2011-11_
15	TE250.433C-05	CONNECTING ROD FORK	1	2011-11_
16	TE250.433C.10	RIGHT FIXING PLATE WELDMENT	1	2011-11_
17	GBT5783-M12X25-A3L	BOLT	1	2011-11_
18	GBT93-10-A0P	WASHER	2	2011-11_
19	GBT5783-M10X25-A3L	BOLT	2	2011-11_
2	FT300.43.110	PULL ROD REAR FORK	1	2011-11_
20	TE250.433C.8	PULL WIRE ASSEMBLY OF RIGHT BRAKE	1	2011-11_
21	GBT882-B10X35-A0P	PIN	1	2011-11_
22	GBT6170-M8-A2L	NUT	1	2011-11_
23	TE250.433C.13	RATCHET WHEEL BRACKET WELDMENT	1	2011-11_
24	TE250.433C.7	HAND BRAKE HANDLE ASSEMBLY	1	2011-11_
24	TA820.213D.3	HAND BRAKE HANDLE ASSEMBLY	1	2011-11_
24.1	GBT5781-M8X30-A2L	BOLT	2	2011-11_
24.2	TE250.433C.7.1	HAND BRAKE HANDLE	1	2011-11_
24.3	GBT93-8-A0P	WASHER	2	2011-11_
24.4	GBT6170-M8-A2L	NUT	2	2011-11_

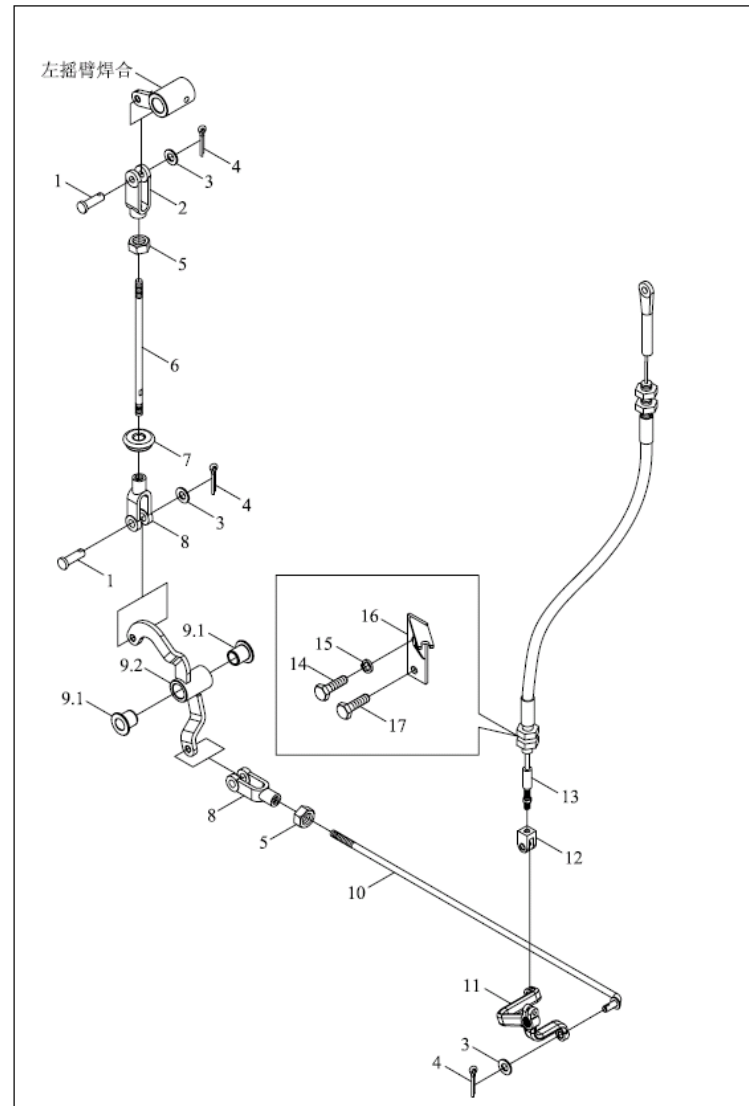
TE250.433C 制动器操纵总成-2



TE250.433C-2 43.3.2-制动器操纵总成-2(续)

标号 No.	代号 Code	名称 Description	数量 Quantity	备注 Remark
3	GBT97.1-10-A0P	WASHER	5	2011-11_
4	GBT91-3.2X22-A0P	PIN	5	2011-11_
5	GBT6170-M10-A3L	NUT	2	2011-11_
6	TE250.433C-07	BRAKE SHORT PULL ROD	1	2011-11_
6	TE250.433C.17	BRAKE SHORT PULL ROD WELDMENT	1	2011-11_
7	TF1004.482-01	RUBBER RING	1	2011-11_
7	TF1004.482-01	RUBBER RING	1	2011-11_
8	FT300.43.108	PULL ROD FRONT FORK	2	2011-11_
9	GBT894.1-20	BLOCKING RING	1	2011-11_

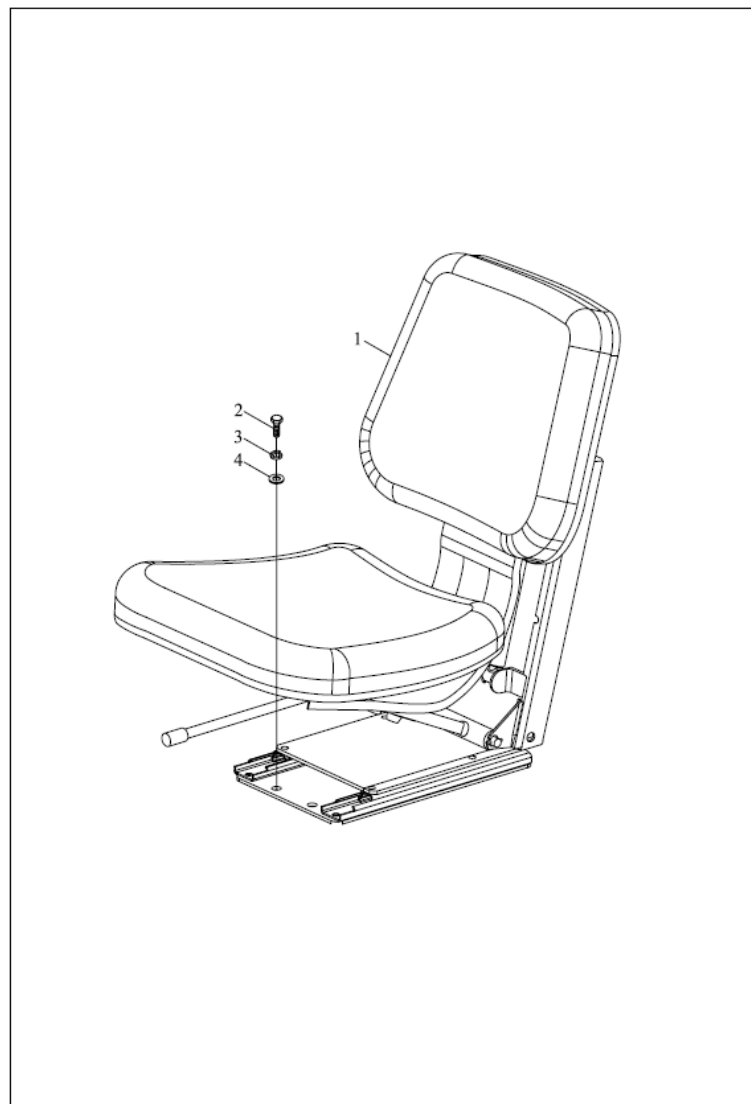
TE250.433C 制动器操纵总成-3



TE250.433C-3 43.3.3-制动器操纵总成-3 BRAKE CONTROL ASSEMBLY-3

标号 No.	代号 Code	名称 Description	数量 Quantity	备注 Remark
1	GBT882-B10X30-A0P	PIN	4	2011-11_
10	TE250.433C.11	BRAKE LONG PULL ROD WELDMENT	1	2011-11_
11	TE250.433C-04	LEFT BRAKE ROCKER	1	2011-11_
12	TE250.433C-05	CONNECTING ROD FORK	1	2011-11_
13	TE250.433C.12	LEFT BRAKE WIRE ASSEMBLY	1	2011-11_
14	GBT5783-M10X30-A3L	BOLT	1	2011-11_
15	GBT93-10-A0P	WASHER	1	2011-11_
16	TE250.433C.9	LEFT FIXING PLATE WELDMENT	1	2011-11_
17	GBT5783-M12X30-A3L	BOLT	1	2011-11_
2	FT300.43.110	PULL ROD REAR FORK	1	2011-11_
3	GBT97.1-10-A0P	WASHER	5	2011-11_
4	GBT91-3.2X22-A0P	PIN	5	2011-11_
5	GBT6170-M10-A3L	NUT	2	2011-11_
6	TE250.433C-07	BRAKE SHORT PULL ROD	1	2011-11_
6	TE250.433C.17	BRAKE SHORT PULL ROD WELDMENT	1	2011-11_
7	TF1004.482-01	RUBBER RING	1	2011-11_
7	TF1004.482-01	RUBBER RING	1	2011-11_
8	FT300.43.108	PULL ROD FRONT FORK	2	2011-11_
9	TE250.433C.4	LEFT LOWER ROCKER ASSEMBLY	1	2011-11_
9.1	TE250.433C.4-01	SLEEVE	2	2011-11_
9.2	TE250.433C.4.1	LEFT LOWER ROCKER WELDMENT	1	2011-11_

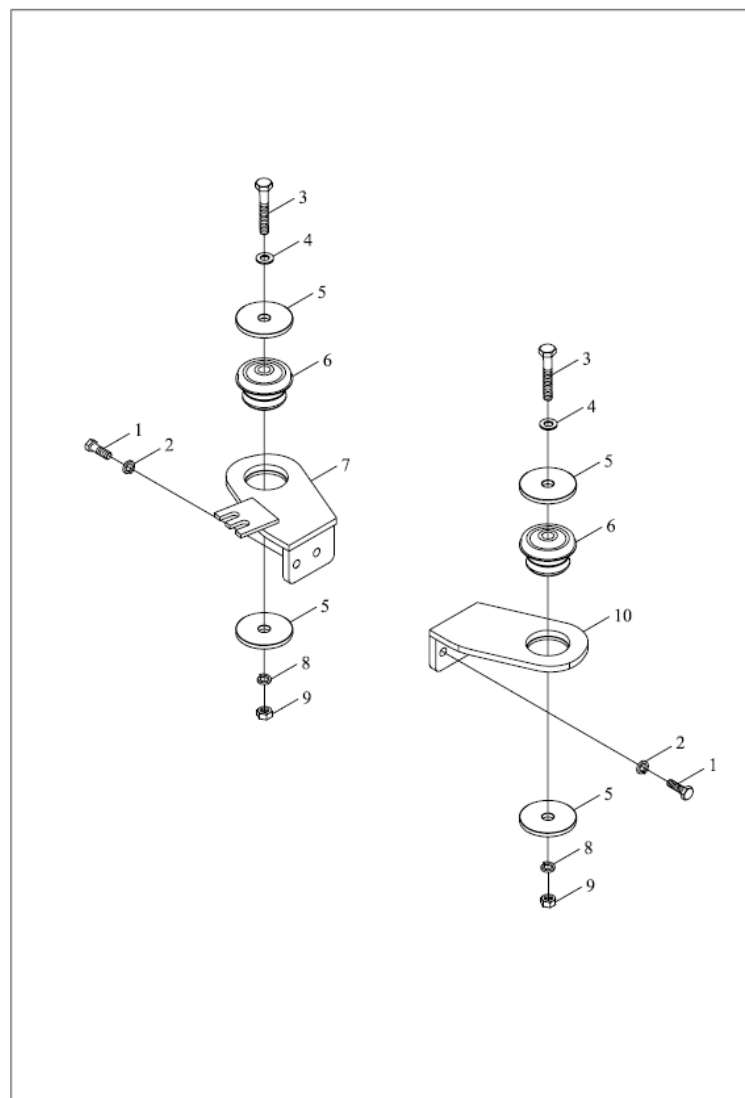
TE250.44E 座椅安装总成



TE250.44E 44-座椅安装总成 44SEAT INSTALLATION ASSEMBLY

标号 No.	代号 Code	名称 Description	数量 Quantity	备注 Remark
1	TE250.44E.1	SEAT ASSEMBLY	1	2011-11_
2	GBT5783-M8X25-A2L	BOLT	4	2011-11_
3	GBT93-8-A0P	WASHER	4	2011-11_
4	GBT97.1-8-A0P	WASHER	4	2011-11_

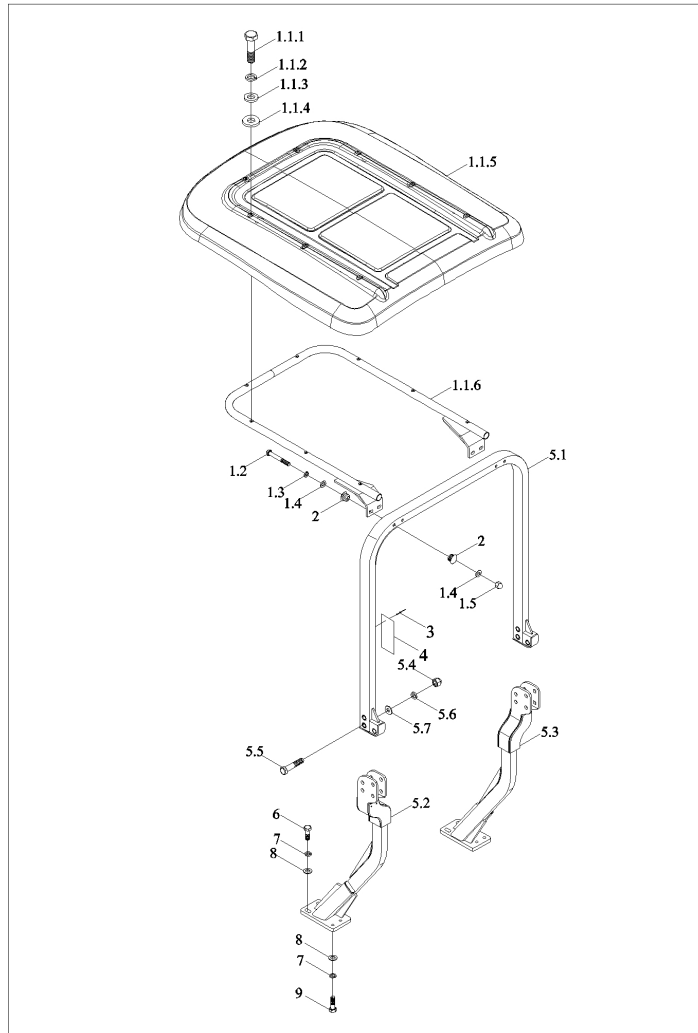
TE254.458 后连接总成



TE254.458 45.8-后连接总成 45.8-REAR CONNECTING ASSEMBLY

标号 No.	代号 Code	名称 Description	数量 Quantity	备注 Remark
1	GBT5783-M12X30-A3L	BOLT	4	2011-11_
10	TE254.458.1	LEFT REAR INSTALLATION BRACKET WELDMENT	1	2011-11_
2	GBT93-12-A0P	SPRING WASHER	4	2011-11_
3	GBT5783-M16X90-8.8-A2L	BOLT	2	2004-01_
4	GBT97.1-16-A0P	WASHER	2	2011-11_
5	TE254.457-01	RETAINER RING	4	2011-11_
6	TE254.457.3	ABSORBER	2	2011-11_
7	TE254.458.2	RIGHT REAR INSTALLATION BRACKET WELDMENT	1	2011-11_
8	GBT93-16-A0P	SPRING WASHER	2	2011-11_
9	GBT6170-M16-A3L	NUT	1	2011-11_

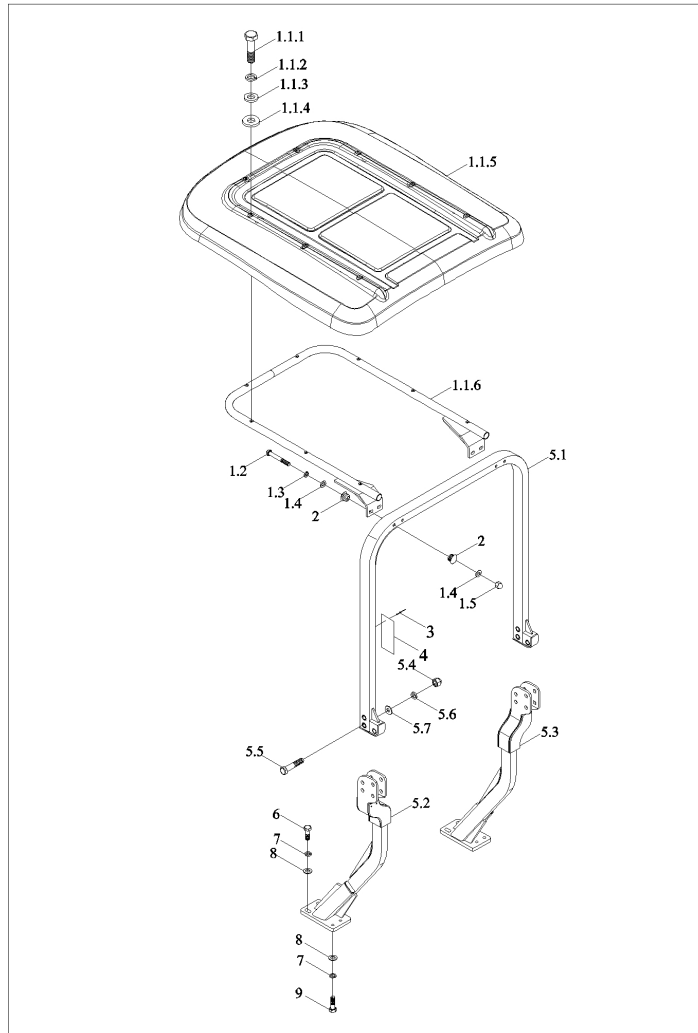
TE250.46R 安全架总成



TE250.46R 46-安全架总成 46-SAFETY FRAME ASSEMBLY

标号 No.	代号 Code	名称 Description	数量 Quantity	备注 Remark
1	TE254.46.2	SHADOW ASSEMBLY	1	2013-10_
1.1	TE254.46.2.1	AWNING	1	2013-10_
1.1.1	GBT5783-M6X25-8.8-A2L	BOLT	8	2013-10_
1.1.2	GBT93-6-A0P	SPRING WASHER	8	2013-10_
1.1.3	GBT97.1-6-A0P	WASHER	8	2013-10_
1.1.4	TE254.46.2.1-02	RUBBER WASHER	8	2013-10_
1.1.5	TE254.46.2.1-01	PLASTIC AWNINGS	1	2013-10_
1.1.6	TE254.46.2.1.1	AWNINGS STENTS	1	2013-10_
1.2	GBT5782-M12X90-8.8-A2L	BOLT	4	2013-10_
1.3	GBT93-12-A0P	SPRING WASHER	4	2013-10_
1.4	GBT97.1-12-A0P	WASHER	8	2013-10_
1.5	GBT802-M12-6	NUT	4	2013-10_
2	TB400.46C-01	PLUG COVER	8	2013-10_
3	GBT12618--3X15	RIVET	2	2013-10_
4	TE250.46F-01	SIGN MARK OF SAFTY FRAME	1	2013-10_
5	TE250.46R.1	SUPPORT BEAM INSTALLATION ASSEMBLY	1	2013-10_
5.1	TE250.46R.1.1	UPPER SUPPORTING BEAM WELD	1	2013-10_
5.2	TE250.46F.1.1	LEFT SUPPORTING BEAM WELDMENT	1	2013-10_
5.3	TE250.46F.1.2	RIGHT SUPPORTING BEAM WELDMENT	1	2013-10_
5.4	GBT802-M16-6	NUT	6	2013-10_
5.5	GBT5782-M16X80-8.8-A3L	BOLT	6	2013-10_
5.6	GBT93-16-A0P	SPRING WASHER	6	2013-10_
5.7	GBT95-16-A0P	WASHER	6	2013-10_
6	GBT5783-M14X40-8.8-A3L	BOLT	4	2013-10_
7	GBT93-14-A0P	SPRING WASHER	8	2013-10_

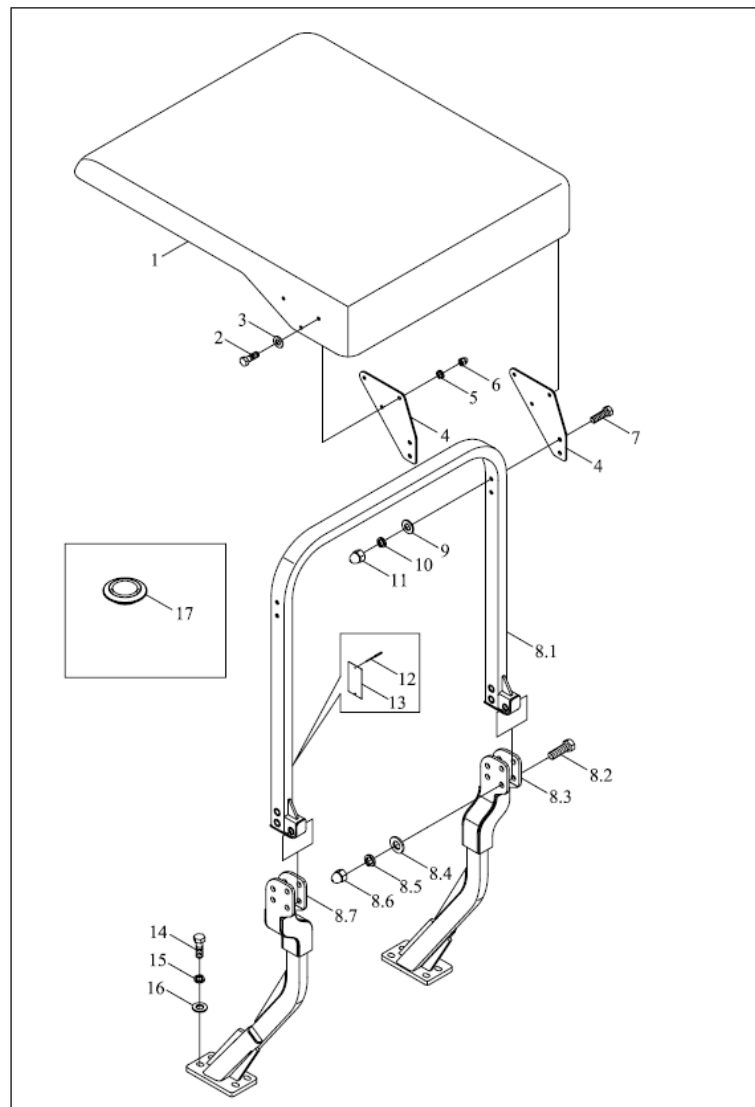
TE250.46R 安全架总成



TE250.46R 46-安全架总成(续)

标号 No.	代号 Code	名称 Description	数量 Quantity	备注 Remark
7	GBT93-14-A0P	SPRING WASHER	8	2013-10_
8	GBT97.1-14-A0P	WASHER	8	2013-10_
9	GBT5783-M14X45-8.8-A3L	BOLT	4	2013-10_

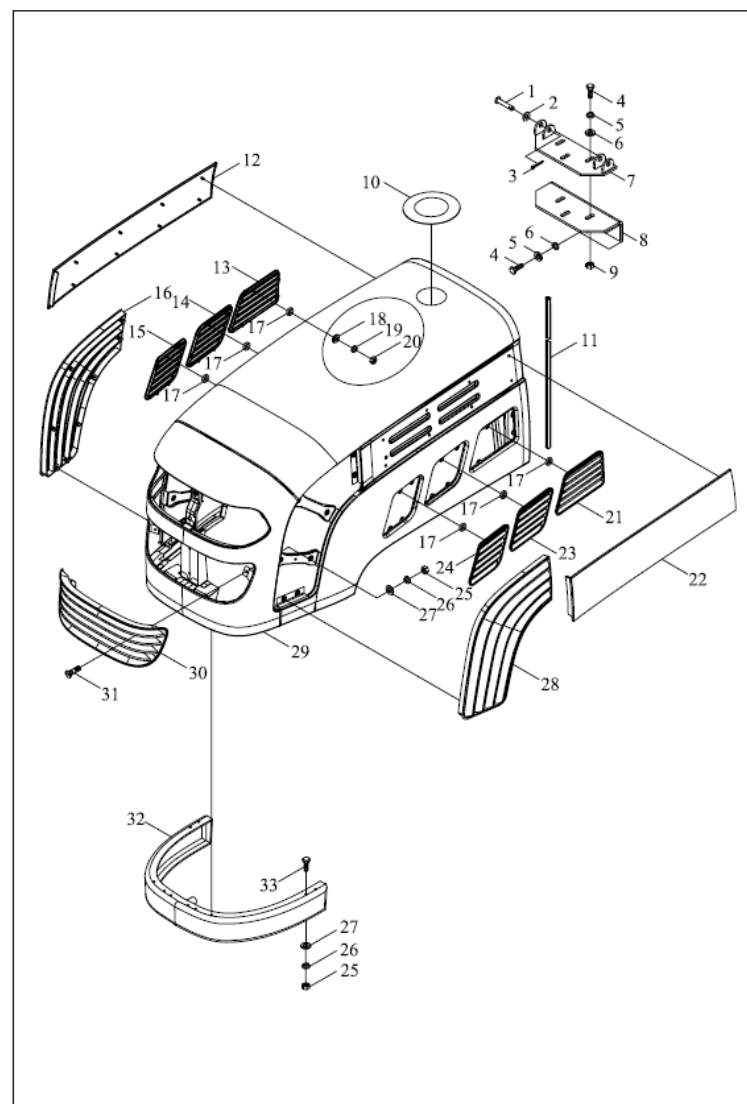
TE250.46F 安全架总成



TE250.46F 46-安全架总成 46-SAFETY FRAME ASSEMBLY

标号 No.	代号 Code	名称 Description	数量 Quantity	备注 Remark
1	FT300.46.012	SHADOW ASSEMBLY	1	2011-11_
10	GBT93-12-A0P	SPRING WASHER	4	2011-11_
12	GBT12618-3X15	RIVET	2	2011-11_
13	TE250.46F-01	SIGN MARK OF SAFTY FRAME	1	2011-11_
14	GBT5783-M14X40-8.8-A3L	BOLT	8	2011-11_
15	GBT93-14-A0P	SPRING WASHER	8	2011-11_
15	GBT93-14-A0P	SPRING WASHER	8	2011-11_
16	GBT97.1-14-A0P	WASHER	8	2011-11_
17	TB400.46C-01	PLUG COVER	8	2011-11_
2	GBT5783-M10X30-8.8-A3L	BOLT	6	2011-11_
3	FT400.46.021	WASHER UNIT	6	2011-11_
4	FT300.46.106	SHADOW LOCKING PLATE	2	2011-11_
5	GBT93-10-A0P	WASHER	6	2011-11_
8	TE250.46F.1	SUPPORT BEAM INSTALLATION ASSEMBLY	1	2011-11_
8.1	TE250.46F.1.3	UPPER SUPPORTING BEAM WELD	1	2011-11_
8.2	GBT5782-M16X80-8.8-A3L	BOLT	6	2011-11_
8.3	TE250.46F.1.2	RIGHT SUPPORTING BEAM WELDMENT	1	2011-11_
8.4	GBT95-16-A0P	WASHER	6	2011-11_
8.5	GBT93-16-A0P	SPRING WASHER	6	2011-11_
8.7	TE250.46F.1.1	LEFT SUPPORTING BEAM WELDMENT	1	2011-11_
9	GBT97.1-12-A0P	WASHER	4	2011-11_

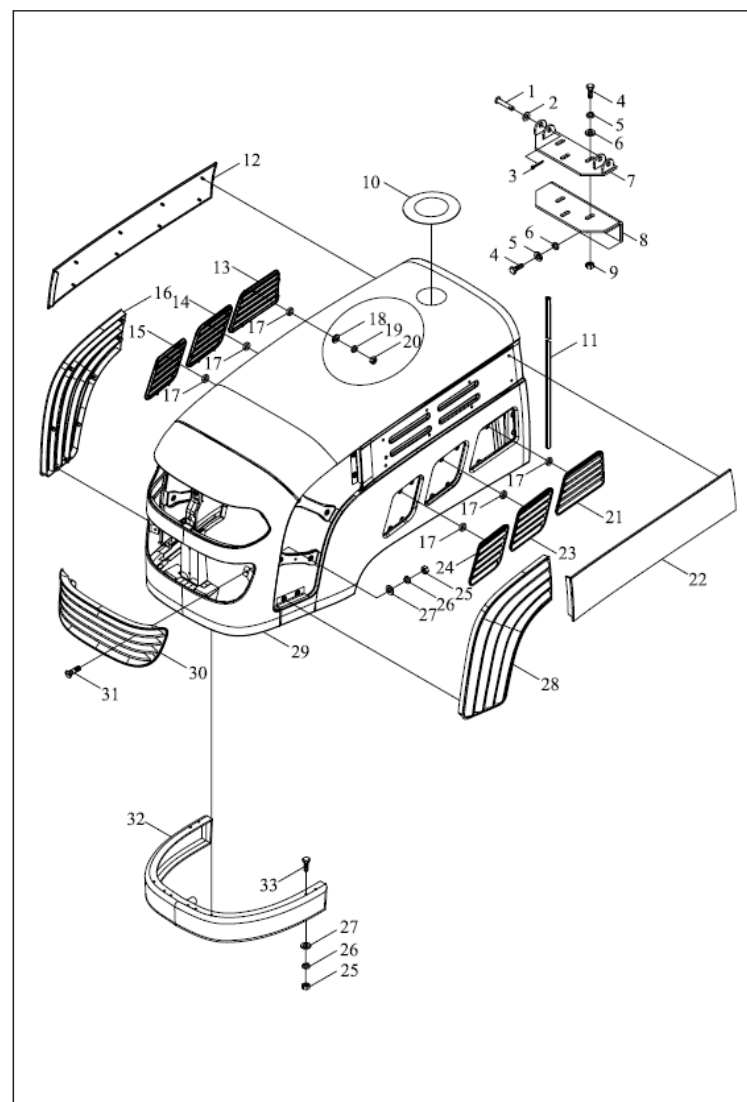
TE250.471C 机罩装配总成



TE250.471C 47.1-机罩装配总成 47.1-BONNET INSTALLATION ASSEMBLY

标号 No.	代号 Code	名称 Description	数量 Quantity	备注 Remark
1	GBT882-B12X50-A0P	PIN	2	2011-11_
10	TE250.471C-01	COVER	1	2011-11_
11	FT250.47C.230	BONNET SEAL STRIP	1	2011-11_
12	FT250B.47.305	RIGHT REAR ADORN BOARD	1	2011-11_
13	FT250B.47.311	RIGHT REAR LOWER GRID	1	2011-11_
14	FT250B.47.309	RIGHT MIDDLE LOWER GRID	1	2011-11_
14	FT250B.47.309	RIGHT MIDDLE LOWER GRID	1	2011-11_
15	FT250B.47.307	RIGHT FRONT LOWER GRID	1	2011-11_
16	FT250B.47.303	RIGHT FRONT GRID	1	2011-11_
17	TB400B.471-18	PAD BLOCK	24	2004-01_
18	GBT97.1-5-A0P	WASHER	58	2011-11_
19	GBT93-5-A0P	WASHER	58	2011-11_
2	GBT97.1-12-A0P	WASHER	2	2011-11_
20	GBT6170-M5-A2L	NUT	58	2011-11_
21	FT250B.47.310	LEFT REAR LOWER GRID	1	2011-11_
22	FT250B.47.304	LEFT REAR ADORN BOARD	1	2011-11_
23	FT250B.47.308	LEFT MIDDLE LOWER GRID	1	2011-11_
24	FT250B.47.306	LEFT FRONT LOWER GRID	1	2011-11_
25	GBT6170-M6-A2L	NUT	13	2011-11_
26	GBT93-6-A0P	SPRING WASHER	12	2011-11_
27	GBT97.1-6-A0P	WASHER	12	2011-11_
28	FT250B.47.302	LEFT FRONT GRID	1	2011-11_
29	TE250.471C.4	BONNET WELDMENT	1	2012-07_
29	TE250.471C.3	BONNET WELDMENT	1	2011-11_
3	GBT91-4X20-A0P	PIN	2	2011-11_

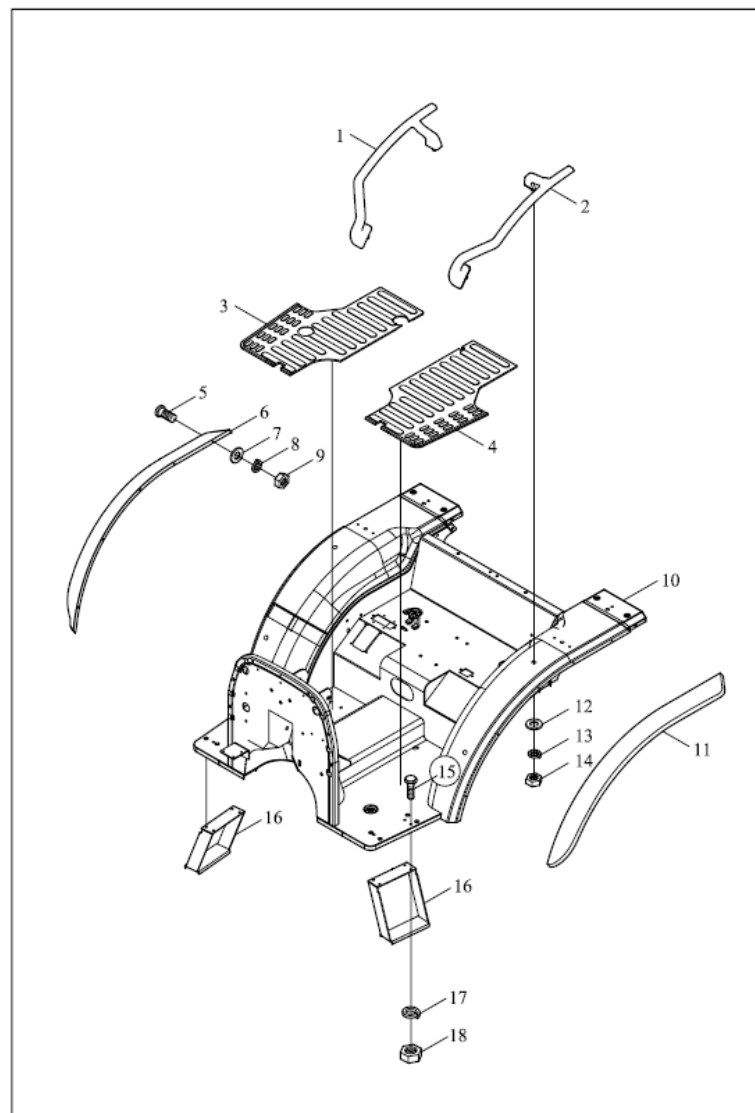
TE250.471C 机罩装配总成



TE250.471C 47.1-机罩装配总成(续)

标号 No.	代号 Code	名称 Description	数量 Quantity	备注 Remark
30	FT250B.47.301	FRONT GRID	1	2011-11_
31	GBT818-M6X16-A2L	SCREW	2	2011-11_
32	TE250B.47.2	BONNET LOW PLATE WELD ASSEMBLY	1	2011-11_
33	GBT5783-M6X20-A2L	BOLT	10	2011-11_
4	GBT5783-M10X30-A2L	BOLT	6	2011-11_
5	GBT93-10-A0P	WASHER	6	2011-11_
6	GBT97.1-10-A0P	WASHER	9	2011-11_
7	TE250.471C.1	HINGE WELDMENT	1	2011-11_
8	TE250.471C.2	FIXING BRACKET WELDMENT	1	2011-11_
9	GBT6170-M10-A3L	NUT	3	2011-11_

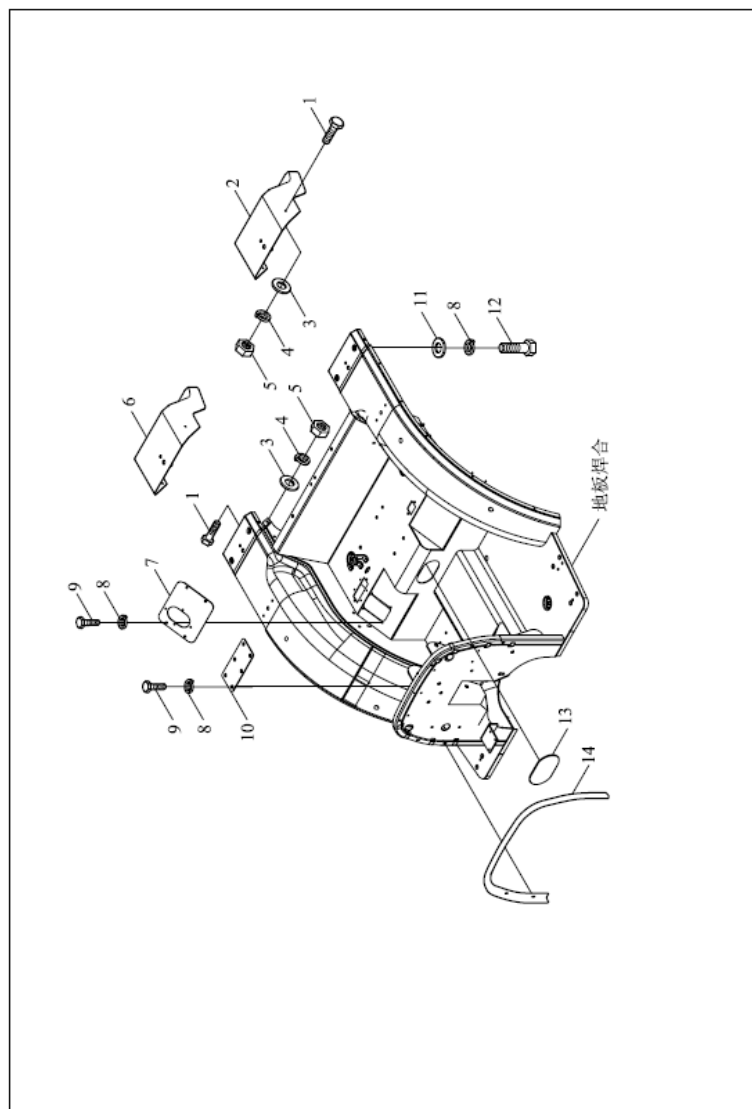
TE250.472F 地板装配总成-1



TE250.472F-1 47.2.1-地板装配总成-1 FLOOR INSTALLATION ASSEMBLY-1

标号 No.	代号 Code	名称 Description	数量 Quantity	备注 Remark
1	TE324.472-02	RIGHT HANDLE	1	2011-11_
10	TE250.472F.1	FLOOR WELDMENT	1	2011-11_
11	TE254.472-01	LEFT MUD GUARD OUTER PART	1	2011-11_
12	GBT96.1-16-A0P	WASHER	4	2011-11_
13	GBT93-16-A0P	SPRING WASHER	4	2011-11_
14	GBT6170-M16-A3L	NUT	4	2011-11_
15	GBT5783-M8X20-8.8-A2L	BOLT	8	2011-11_
16	TE254.472.6	PEDAL WELDMENT	2	2011-11_
17	GBT93-8-A0P	WASHER	9	2011-11_
18	GBT6170-M8-A2L	NUT	8	2011-11_
2	TE324.472-01	LEFT RAIL	1	2011-11_
3	TE250.472F-03	RIGHT FLOOR MAT	1	2011-11_
4	TE250.472F-02	LEFT FLOOR MAT	1	2011-11_
5	GBT5783-M5X16-8.8-A2L	BOLT	8	2011-11_
6	TE254.472-02	RIGHT MUD GUARD OUTER PART	1	2011-11_
6	TE254.472-02	RIGHT MUD GUARD OUTER PART	1	2011-11_
7	GBT97.1-5-A0P	WASHER	8	2011-11_
8	GBT93-5-A0P	WASHER	8	2011-11_
9	GBT6170-M5-A2L	NUT	8	2011-11_

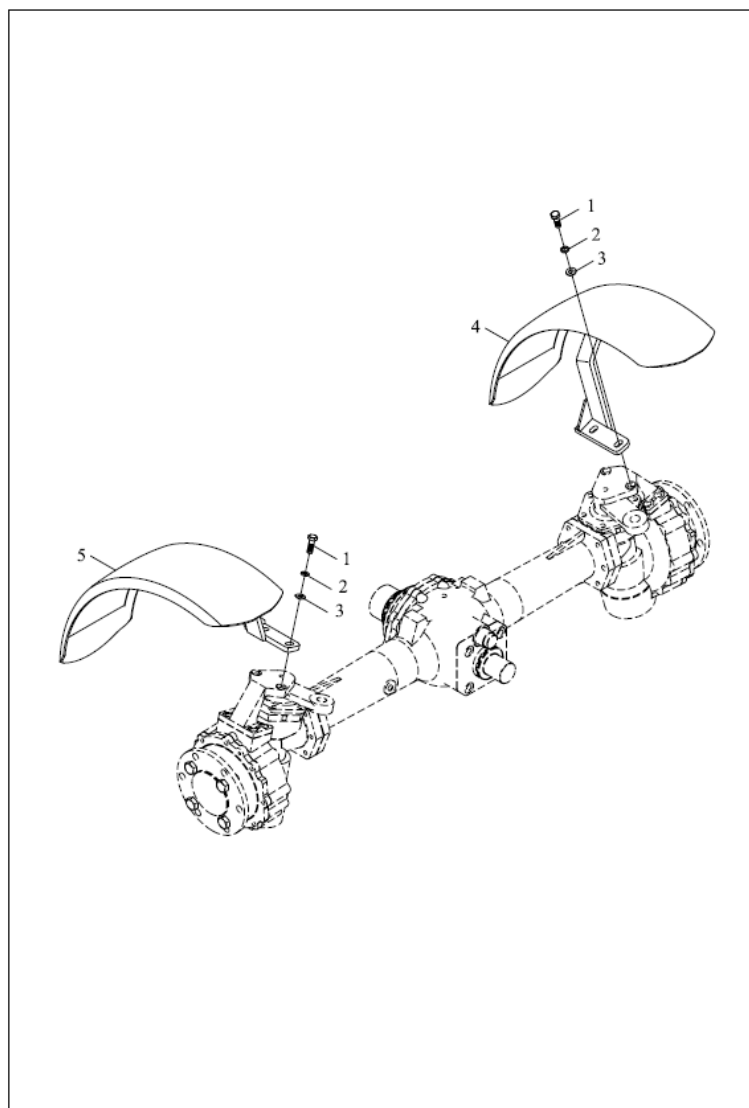
TE250.472F 地板装配总成-2



TE250.472F-2 47.2.2-地板装配总成-2 FLOOR INSTALLATION ASSEMBLY-2

标号 No.	代号 Code	名称 Description	数量 Quantity	备注 Remark
1	GBT5783-M5X16-8.8-A2L	BOLT	4	2011-11_
10	TE254.472-11	FRONT COVER PLATE	1	2011-11_
11	GBT97.1-6-A0P	WASHER	6	2011-11_
12	GBT5783-M6X12-8.8-A2L	BOLT	4	2011-11_
13	TE254.472-10	REAR FLOOR COVER	1	2011-11_
13	TE254.472-10	REAR FLOOR COVER	1	2011-11_
14	TE250.472F-01	SEALING RUBBER STRIP	1	2011-11_
2	TE324.472.1-01	LEFT MUD GUARD REAR PART	1	2011-11_
3	GBT97.1-5-A0P	WASHER	4	2011-11_
4	GBT93-5-A0P	WASHER	4	2011-11_
5	GBT6170-M5-A2L	NUT	4	2011-11_
6	TE324.472.2-01	RIGHT MUD GUARD REAR PART	1	2011-11_
7	TE254.472-09	REAR COVER PLATE	1	2011-11_
8	GBT93-6-A0P	SPRING WASHER	16	2011-11_
9	GBT5783-M6X16-8.8-A2L	BOLT	12	2011-11_

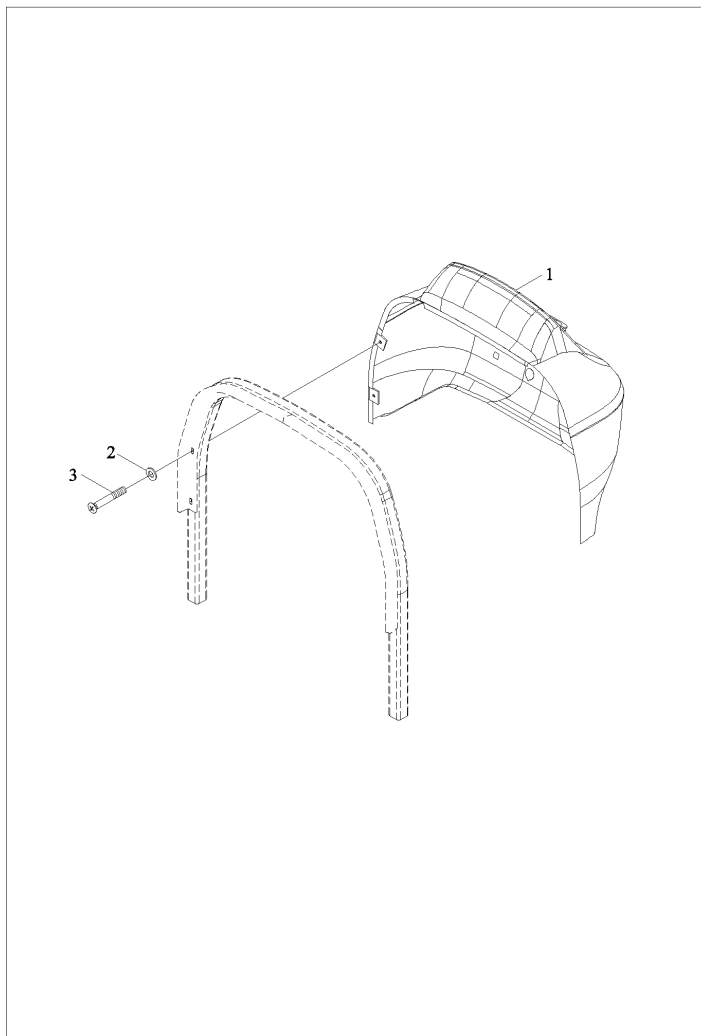
TE300.473 前挡泥板装配总成



TE300.473 47.3-前挡泥板装配总成 47.3-FRONT MUD GUARD INSTALLATION ASSEMBLY

标号 No.	代号 Code	名称 Description	数量 Quantity	备注 Remark
1	GBT5783-M10X30-8.8-A3L	BOLT	4	2009-05_
2	GBT93-10-A0P	WASHER	4	2011-11_
3	GBT97.1-10-A0P	WASHER	4	2011-11_
4	TE300.473.1	LEFT FRONT MUD GUARD ASSEMBLY	1	2011-11_
5	TE300.473.2	RIGHT FRONT MUD GUARD ASSEMBLY	1	2011-11_

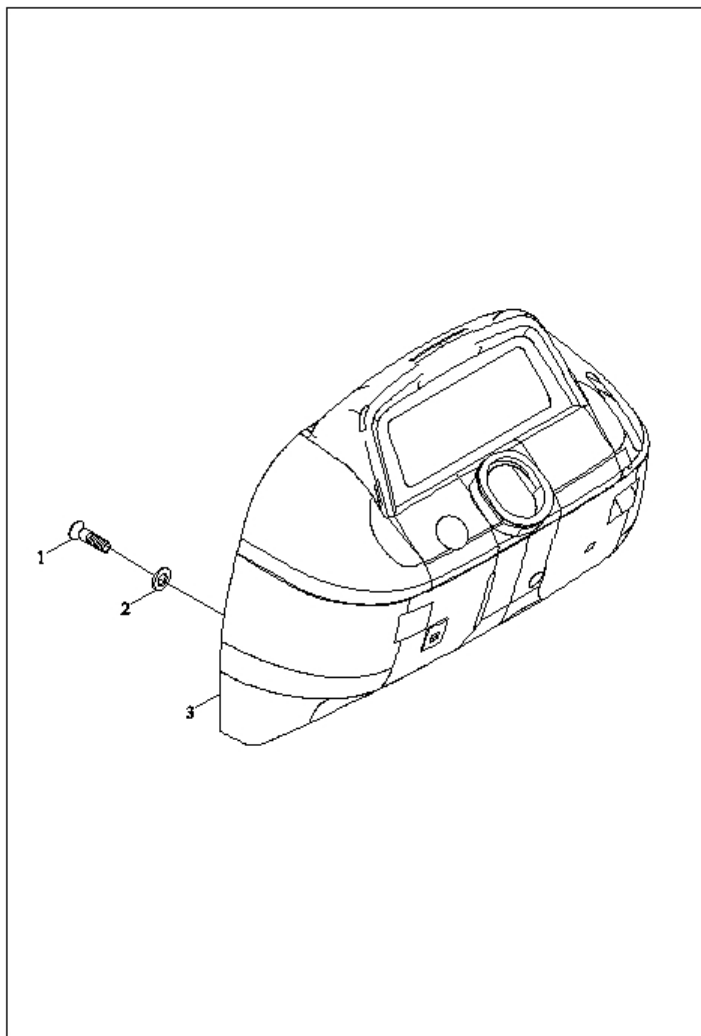
TE250.474D 仪表台装配总成



TE250.474D 47.4-仪表台装配总成 47.4-DASHBOARD INSTALLATION ASSEMBLY

标号 No.	代号 Code	名称 Description	数量 Quantity	备注 Remark
1	TE250.474D.1	DASHBOARD	1	2013-10_
2	GBT97.1-5-A0P	WASHER	6	2013-10_
3	GBT819.1-M5X50-4.8-A1L	CUNERSUNK FLAT HEAD SCREW WITH CROSS RECESS	6	2013-10_

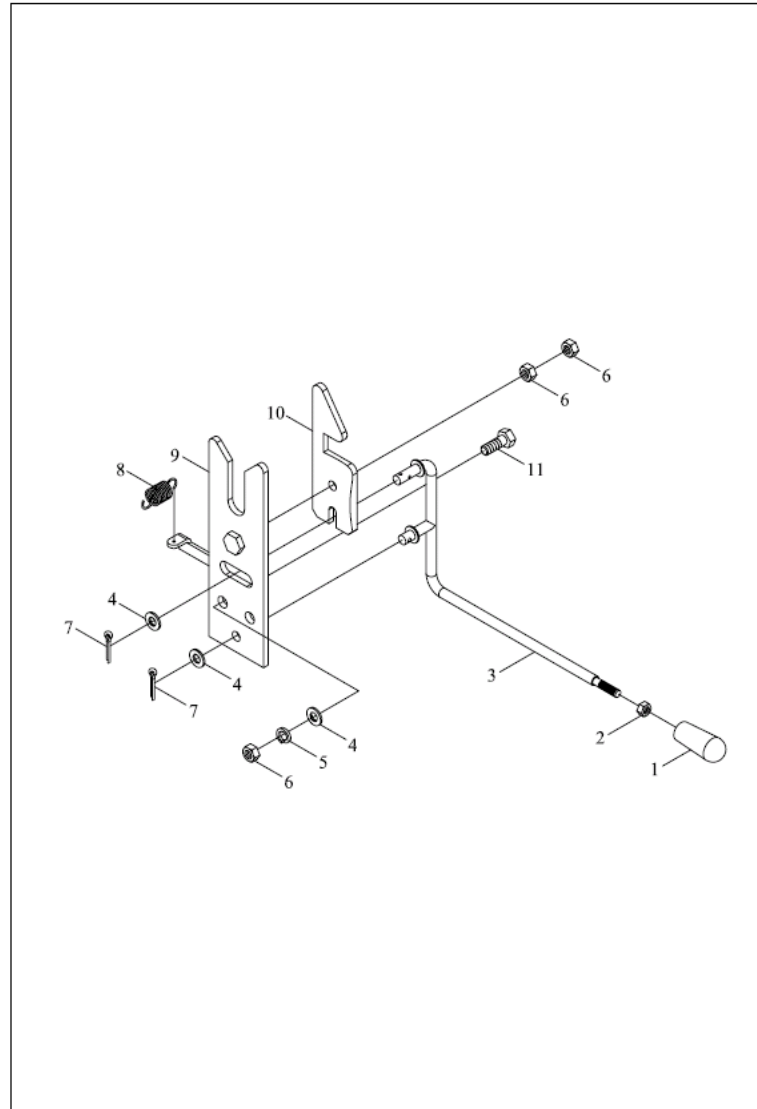
TE250.474A 仪表台装配总成



TE250.474A 47.4-仪表台装配总成 47.4-DASHBOARD INSTALLATION ASSEMBLY

标号 No.	代号 Code	名称 Description	数量 Quantity	备注 Remark
1	GBT819.1-M5X50-4.8-A1L	CUNERSUNK FLAT HEAD SCREW WITH CROSS RECESS	6	2012-05_
2	GBT97.1-5-A0P	WASHER	6	2012-05_
3	TE250.474A.1	DASHBOARD	1	2012-05_

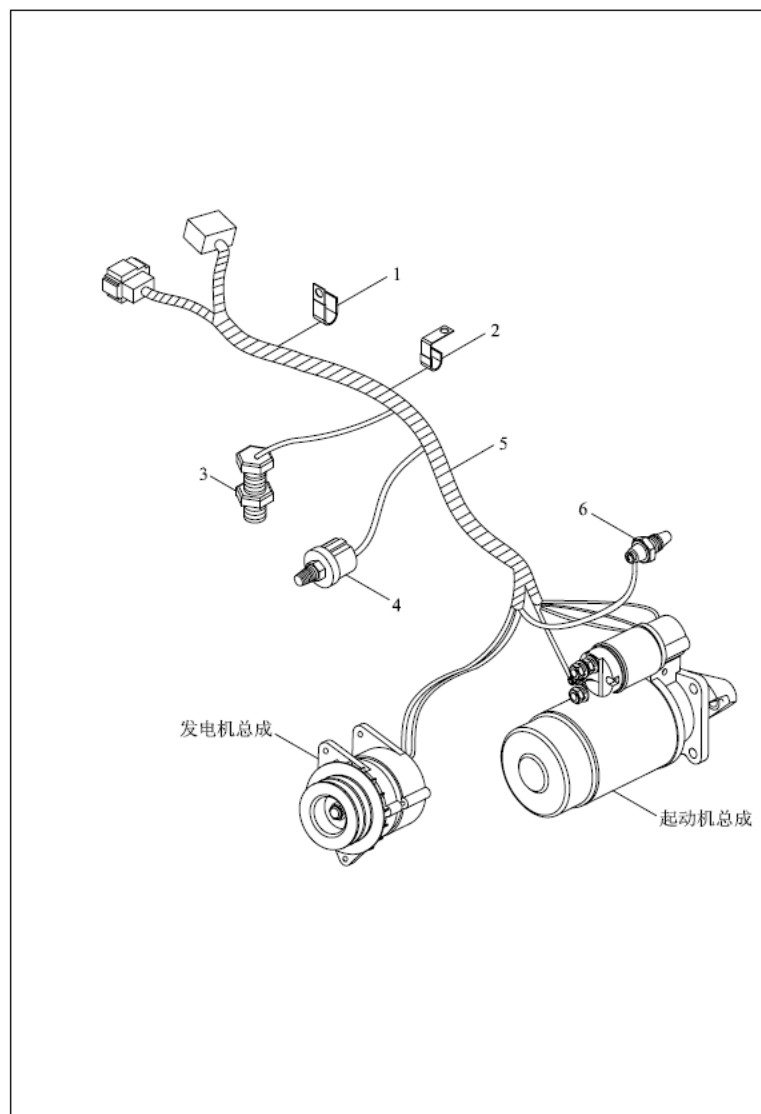
TE250.477 机罩锁装配总成



TE250.477 47.7-机罩锁装配总成 47.7-BONNET LOCK INSTALLATION ASSEMBLY

标号 No.	代号 Code	名称 Description	数量 Quantity	备注 Remark
1	TE250B.47.9	HANDLE ASSEMBLY	1	2011-11_
10	TE250B.47-01	LOCKING PLATE	1	2011-11_
11	GBT5783-M8X25-A2L	BOLT	2	2011-11_
2	GBT6170-M6-A2L	NUT	1	2011-11_
3	TE250B.47.7	WELDED PUSHING ROD	1	2011-11_
4	GBT97.1-8-A0P	WASHER	4	2011-11_
5	GBT93-8-A0P	WASHER	2	2011-11_
6	GBT6170-M8-A2L	NUT	4	2011-11_
7	GBT91-3.2X16-A0P	PIN	2	2011-11_
8	FT200.21.106	RETURN SPRING OF RELEASE BEARING SEAT	1	2011-11_
9	TE250B.47.5	LIMITING PLATE WELDMENT	1	2011-11_

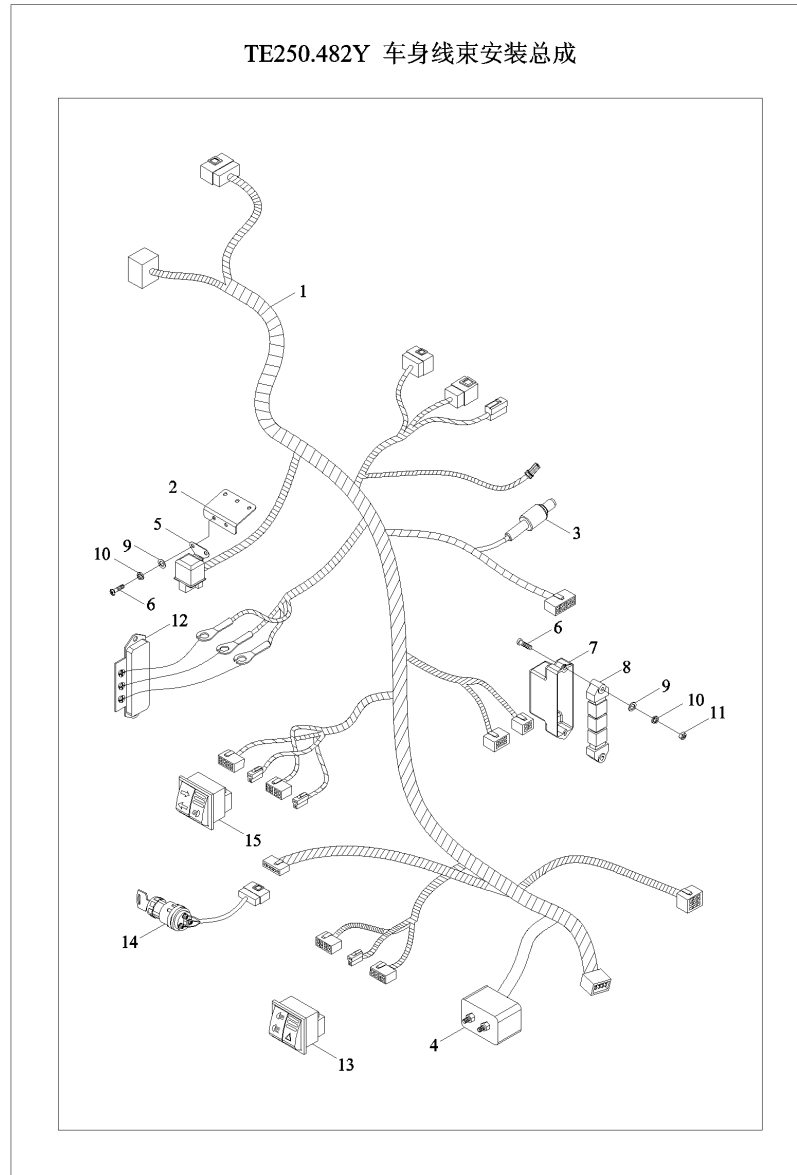
TE250.481 发动机线束安装总成



TE250.481 48.1-发动机线束安装总成 48.1-ENGINE HARNESS INSTALLATION ASSEMBLY

标号 No.	代号 Code	名称 Description	数量 Quantity	备注 Remark
1	FT304.48L.203	HARNESS TIGHTEN CLIP	1	2011-11_
2	FT300.48.105	HARNESS FIXING CLAMP (3)	2	2011-11_
3	FT300.48.074	RPM SENSOR	1	2011-11_
4	FT250.48.036	OIL PRESSURE SENSOR	1	2011-11_
5	TE250.481.1	ENGINE HARNESS ASSEMBLY	1	2011-11_
6	FT300.48.072	WATER TEMPERATURE SENSOR	1	2004-01_
6	TE250.481.2	WATER TEMPERATURE SENSOR	1	2009-05_

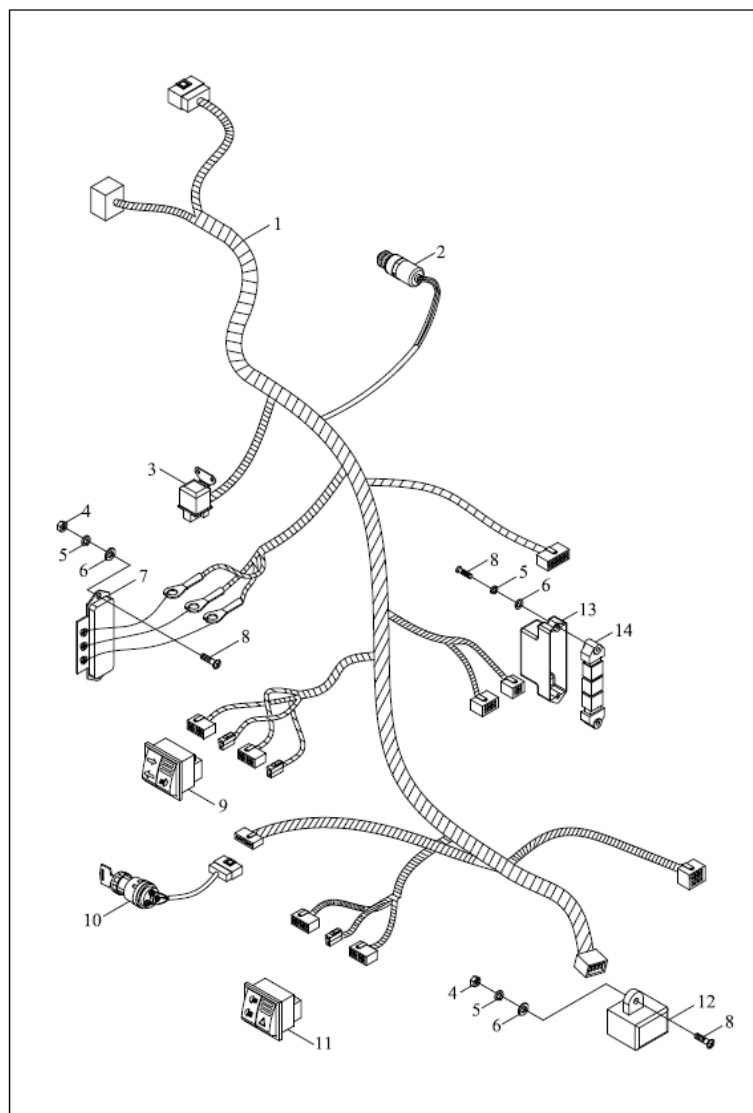
TE250.482Y 车身线束安装总成



TE250.482Y 48.2-车身线束安装总成 48.2-BODY HARNESS INSTALLATION ASSEMBLY

标号 No.	代号 Code	名称 Description	数量 Quantity	备注 Remark
1	TE250.482Y.1	BODY HARNESS ASSEMBLY	1	2013-10_
10	GBT93-6-A0P	SPRING WASHER	7	2013-10_
11	GBT6170-M6-8-A2L	NUT	5	2013-10_
12	JFT141	VOLTAGE ADJUSTER	1	2013-10_
13	TE250.482Y.2	RIGHT BUTTON SWITCH	1	2013-10_
14	FT300.48.064	IGNITION LOCK	1	2013-10_
15	TH354.482.4	LEFT PADDLE SWITCH	1	2013-10_
2	TE250.482Y-01	BRACKET	1	2013-10_
3	FT300.48.033	BRAKE LIGHT SWITCH	2	2013-10_
4	FT250.48F.043	FUSE BOX ASSEMBLY	1	2013-10_
5	FT300.48.055	STARTING RELAY	1	2013-10_
6	GBT818-M6X20-4.8-A2L	SCREW	7	2013-10_
7	TE250.482A-02	RELAY BOX COVER	1	2013-10_
8	TE250.482A.2	RELAY BOX ASSEMBLY	1	2013-10_
9	GBT97.1-6-A0P	WASHER	7	2013-10_

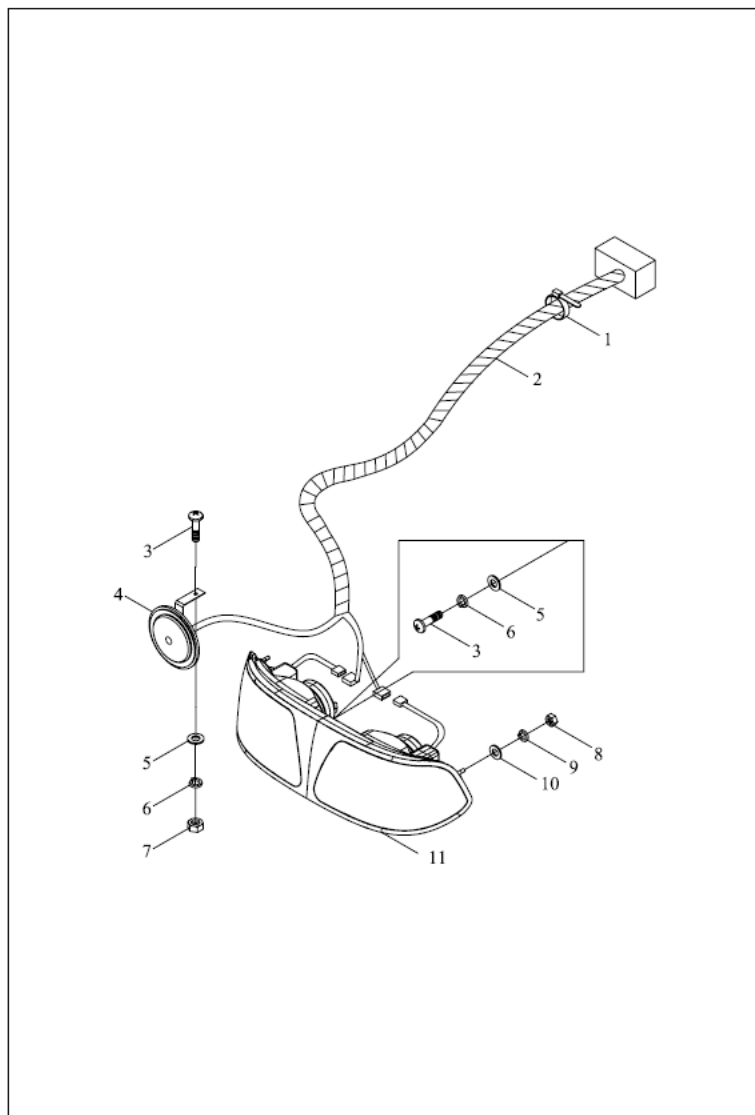
TE250.482Q 车身线束安装总成



TE250.482Q 48.2-车身线束安装总成 48.2-BODY HARNESS INSTALLATION ASSEMBLY

标号 No.	代号 Code	名称 Description	数量 Quantity	备注 Remark
1	TE250.482Q.1	BODY HARNESS ASSEMBLY	1	2011-11_
11	FT250.48E.039	RIGHT BUTTON SWITCH	1	2011-11_
12	FT250.48E.042	FUSE BOX ASSEMBLY	1	2011-11_
13	TE250.482A-02	RELAY BOX COVER	1	2011-11_
14	TE250.482A.2	RELAY BOX ASSEMBLY	1	2011-11_
2	FT300.48.033	BRAKE LIGHT SWITCH	1	2004-01_
3	FT300.48.055	STARTING RELAY	1	2004-01_
4	GBT6170-M6-A2L	NUT	3	2011-11_
5	GBT93-6-A0P	SPRING WASHER	5	2011-11_
6	GBT97.1-6-A0P	WASHER	5	2011-11_
8	GBT818-M6X20-A2L	SCREW	5	2011-11_
8	GBT818-M6X20-A2L	SCREW	5	2011-11_
9	FT250.48.038	LEFT PADDLE SWITCH	1	2011-11_

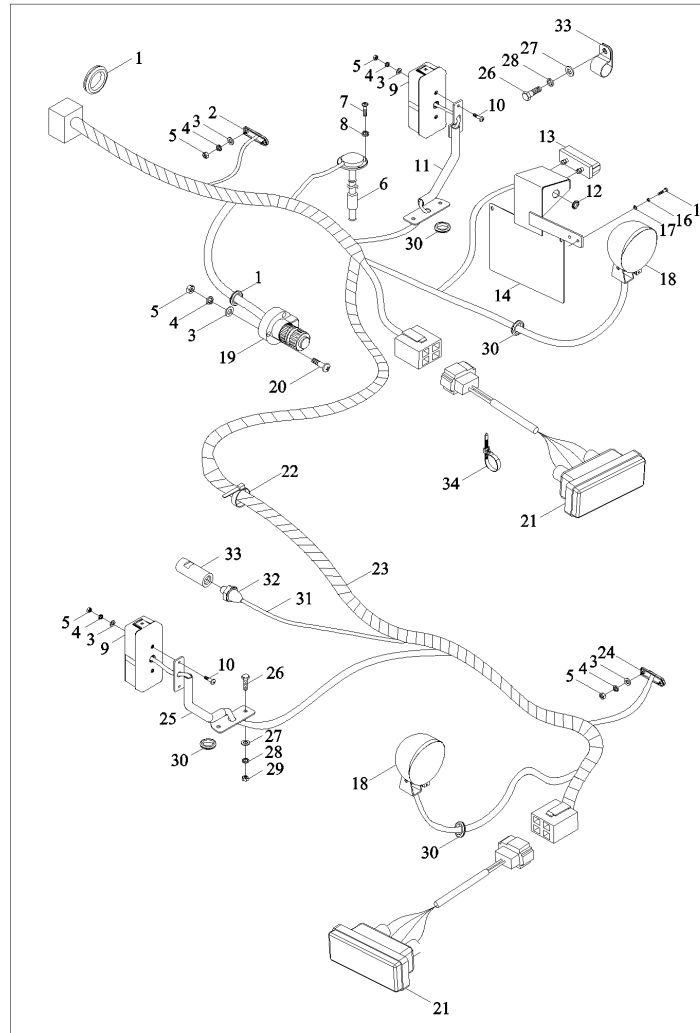
TE250.483A 前灯线束安装总成



TE250.483A 48.3-前灯线束安装总成 48.3-FRONT LAMP HARNESS INSTALLATION ASSEMBLY

标号 No.	代号 Code	名称 Description	数量 Quantity	备注 Remark
1	3724D01-201	RELEASABLE TIE	1	2011-11_
10	GBT96-6-A0P	WASHER	2	2011-11_
11	TE250.483A.1	FRONT BIG LAMP ASSEMBLY	1	2011-11_
2	TE250.483A.1	FRONT BIG LAMP ASSEMBLY	1	2011-11_
3	GBT818-M8X16-A2L	SCREW	3	2011-11_
4	TD800.483B.3	ELECTRIC HORN	1	2011-11_
5	GBT97.1-8-A0P	WASHER	3	2011-11_
6	GBT93-8-A0P	WASHER	3	2011-11_
7	GBT6170-M8-A2L	NUT	1	2011-11_
8	GBT6170-M6-A2L	NUT	2	2011-11_
9	GBT93-6-A0P	SPRING WASHER	2	2011-11_
	TE250.483-01	PAD BOARD	2	2011-01_

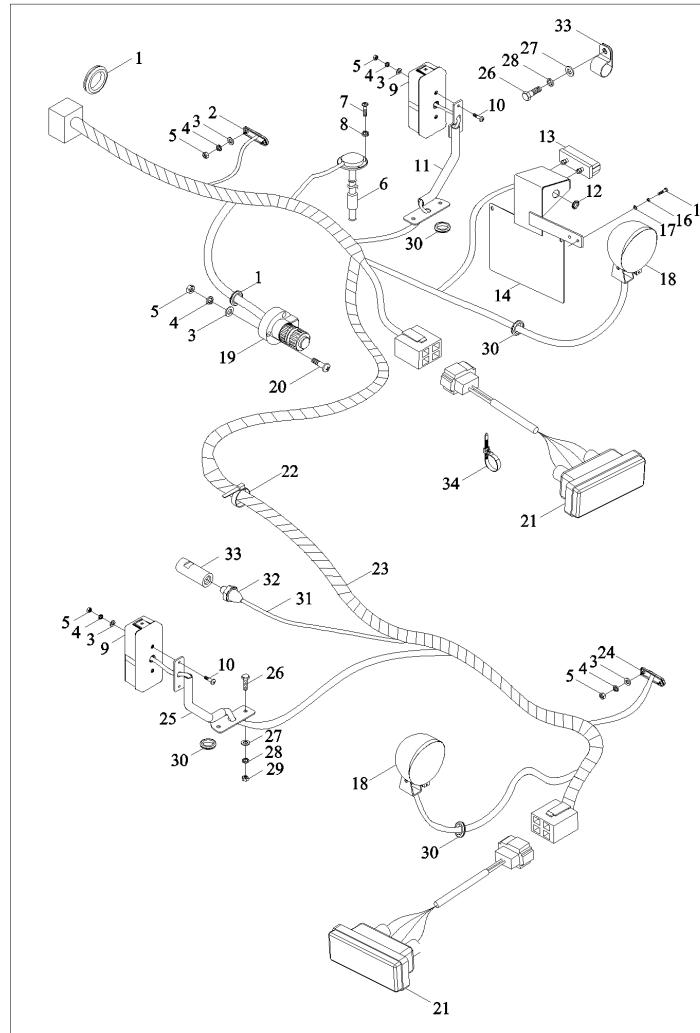
TE250.484V 后灯线束总成



TE250.484V 48.4-后灯线束安装总成 48.4-REAR LAMP HARNESS INSTALLATION ASSEMBLY

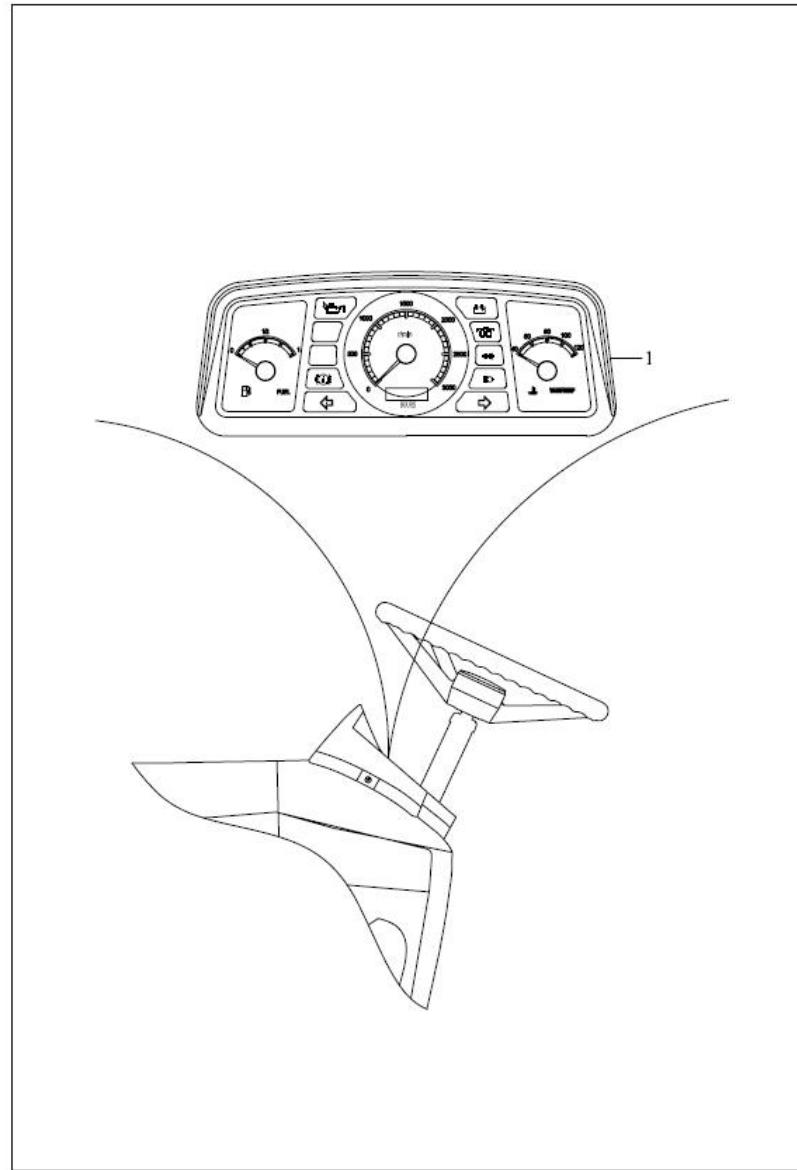
标号 No.	代号 Code	名称 Description	数量 Quantity	备注 Remark
1	FT800A.48L.101	RUBBER RING (1)	4	2012-05_
10	GBT818-M5X20-A2L	SCREW	4	2012-05_
11	TB450.484J.3	LEFT SINGLE LAMP BRACKET WELDMENT	1	2012-05_
12	TD800.484B-03	RUBBER RING	1	2012-05_
13	TD800.484B.3	NAMEPLATE LAMP ASSEMBLY	1	2012-05_
14	TE250.484U.1	NAMEPLATE LAMP BRACKET WELDMENT	1	2012-05_
15	GBT5783-M6x16-A2L	BOLT	2	2012-05_
16	GBT93-6-A0P	SPRING WASHER	2	2012-05_
17	GBT97.1-6-A0P	WASHER	2	2012-05_
18	FT250.48.025	REAR WORKING LIGHT ASSEMBLY	2	2012-05_
19	TD800.484B.6	REAR TRAILER SOCKET ASSEMBLY	1	2012-05_
19	TD900.484.2	REAR TRAILER SOCKET	1	2013-04_
2	TB450.484E.5	LEFT REFLECTOR	1	2012-05_
20	GBT818-M5X35-A1L	SCREW	3	2012-05_
21	TB404.484.3	TAIL LAMP ASSEMBLY	2	2012-05_
22	3203505D9-L	TIE	2	2013-04_
22	3724D01-201	RELEASABLE TIE	5	2012-05_
23	TE250.484H.1	REAR LAMP HARNESS ASSEMBLY	1	2012-05_
23	TE250.484H.1a	REAR LAMP HARNESS ASSEMBLY	1	2014-08_
24	TB450.484E.6	RIGHT REFLECTOR	1	2012-05_
25	TB450.484J.2	RIGHT SINGLE SIDE LAMP BRACKET WELDMENT	1	2012-05_
26	GBT5783-M8X20-A2L	BOLT	4	2012-05_
27	GBT97.1-8-A0P	WASHER	4	2012-05_
28	GBT93-8-A0P	WASHER	4	2012-05_
29	GBT6170-M8-A2L	NUT	4	2012-05_

TE250.484V 后灯线束总成



TE250.484V 48.4-后灯线束安装总成(续)

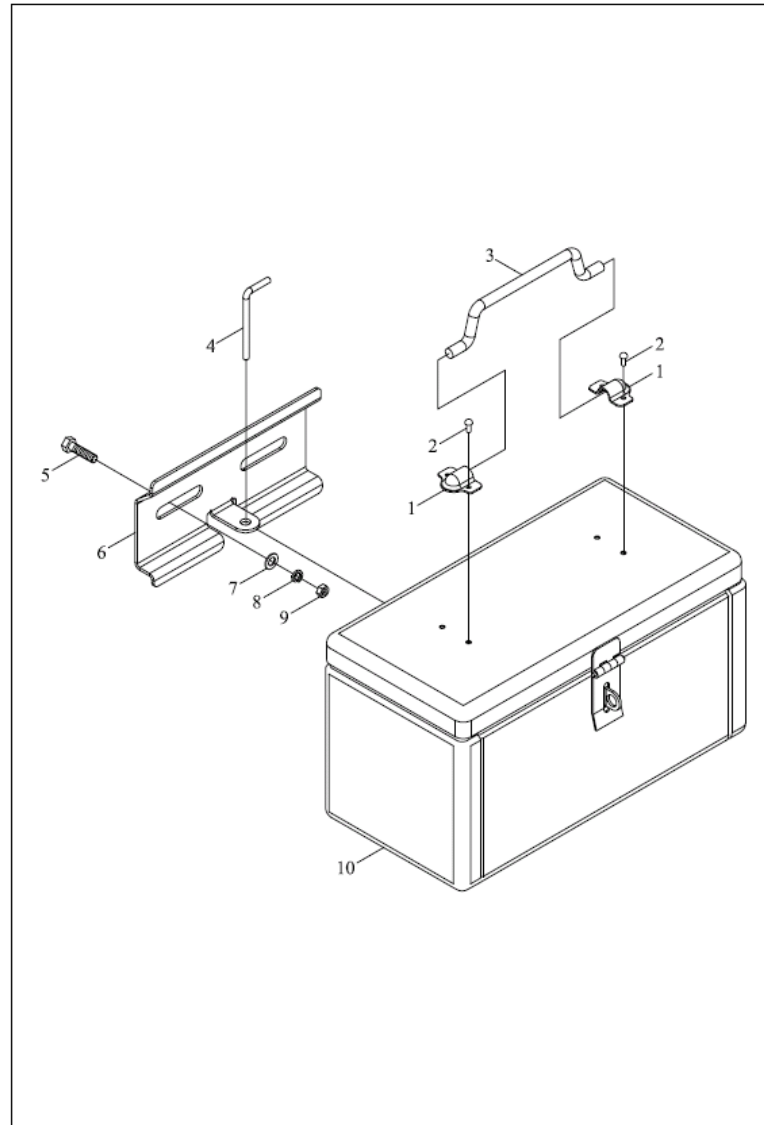
标号 No.	代号 Code	名称 Description	数量 Quantity	备注 Remark
3	GBT97.1-5-A0P	WASHER	8	2012-05_
30	FT65.48.094	RUBBER RING (2)	4	2012-05_
31	TG1204.484A.1	AIR PRESSURE ALARM WIRE ASSEMBLY	1	2012-05_
32	TE250.484-01	AIR PRESSURE ALARM JOINT	1	2012-05_
33	TF1204.481B-01	HARNESS TIGHTEN CLIP	2	2013-04_
33	TD800.484B.7	AIR PRESSURE ALARM	1	2012-05_
34	Q67405200	PLASTIC FASTEN STRIP	2	2013-04_
4	GBT93-5-A0P	WASHER	8	2012-05_
5	GBT6170-M5-A2L	NUT	8	2012-05_
6	TE250.484H.2	OIL QUANTITY SENSOR	1	2012-05_
7	GBT818-M4X10-A2L	SCREW	5	2012-05_
8	GBT93-4-A0P	WASHER	5	2012-05_
9	TB450.484E.4	SINGLE-SIDE LAMP ASSEMBLY	2	2012-05_



TE250.487ZC 48.7-组合仪表总成 48.7-COMBINED INSTRUMENT ASSEMBLY

标号 No.	代号 Code	名称 Description	数量 Quantity	备注 Remark
1	TE250.487	COMBINED INSTRUMENT ASSEMBLY	1	
1	TE250.487	COMBINED INSTRUMENT ASSEMBLY	1	

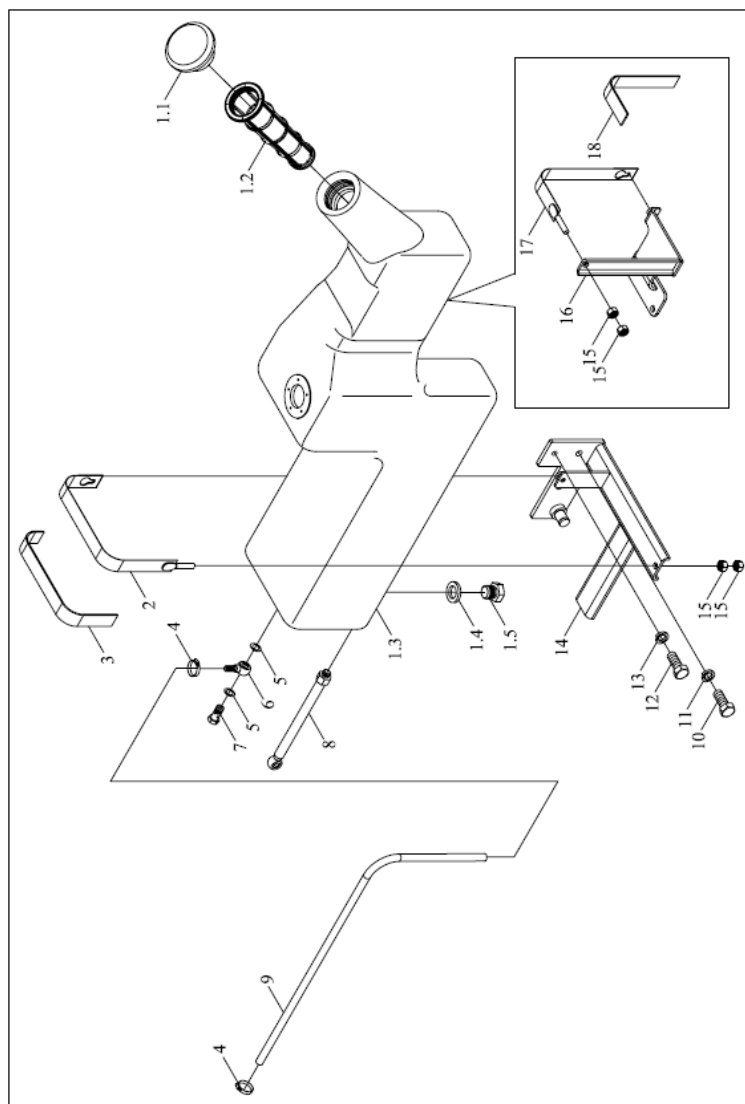
FT300.49.001 Tool box assembly



FT300.49.001 49-工具箱总成 49-TOOL BOX ASSEMBLY

标号 No.	代号 Code	名称 Description	数量 Quantity	备注 Remark
1	GBT5783-M12X25-A3L	BOLT	2	2011-11_
1	FT65.49.101	HANDLE SEAT	2	2003-11_
10	FT300.49.012	TOOL BOX WELDMENT ASSEMBLY	1	2003-11_
2	GBT 867-4X8	RIVET	2	2003-11_
3	FT65.49.115	HANDLE	1	2003-11_
4	FT65.49.102	CROSS PIN	1	2003-11_
5	GBT5783-M12X35-A3L	BOLT	2	2003-11_
5	GBT5783-M12X35-A3L	BOLT	2	2003-11_
6	FT65.49.103	FIXING SUPPORT PLATE	1	2003-11_
7	GBT97.1-12-A0P	WASHER	2	2003-11_
8	GBT93-12-A0P	SPRING WASHER	2	2003-11_
9	GBT6170-M12-A3L	NUT	2	2003-11_

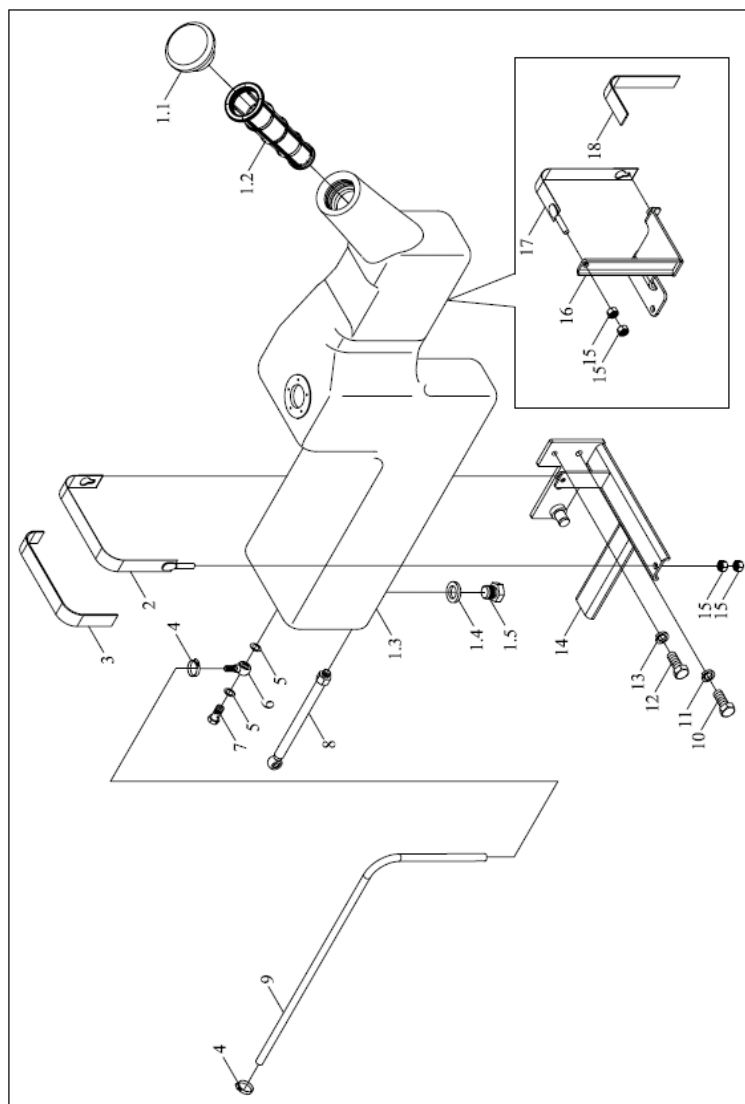
TE254.50A 油箱装配总成



TE254.50A 50-油箱装配总成

标号 No.	代号 Code	名称 Description	数量 Quantity	备注 Remark
1	TE254.50A.1	FUEL OIL TANK ASSEMBLY	1	2011-11_
1.1	TD800.501A.1.1	OIL TANK COVER	1	2011-11_
1.2	TF1004.501.1-02	SCREEN	1	2011-11_
1.3	TE254.50A.1-01	OIL TANK HOUSING	1	2011-11_
1.4	JBT982-16	COMBINED SEAL GASKET	1	2011-11_
1.5	Q617B16	SCREW PLUG	1	2011-11_
10	GBT5783-M12X30-A3L	BOLT	4	2011-11_
11	GBT93-12-A0P	SPRING WASHER	4	2011-11_
12	GBT5783-M10X30-A3L	BOLT	1	2011-11_
13	GBT93-10-A0P	WASHER	1	2011-11_
14	TE254.50A.3	OIL TANK FRONT BRACKET WELDMENT	1	2011-11_
15	GBT6170-M10-A3L	NUT	4	2011-11_
16	TE254.50A.2	OIL TANK REAR BRACKET WELDMENT	1	2011-11_
17	TE254.50A.4a	REAR FASTENING TIE WELDMENT	1	2008-08_
17	TE254.50A.4	REAR FASTENING TIE WELDMENT	1	2004-01_
18	TE254.50A-01	RUBBER WASHER 1	1	2011-11_
2	TE254.50A.5	FRONT BAND WELDMENT	1	2004-01_
2	TE254.50A.5a	FRONT BAND WELDMENT	1	2008-08_
3	TE254.50A-02	RUBBER WASHER 2	1	2011-11_
4	Q673B13	CLAMP	2	2011-11_
5	JBT982-14	COMBINED SEAL GASKET	4	2011-11_
5	JBT982-14	COMBINED SEAL GASKET	4	2011-11_
6	FT800A.50.162	JOINT	1	2011-11_
7	FT65.50.106	HOLLOW BOLT	1	2011-11_
8	TE254.50A.6	OIL CONVEYING PIPE ASSEMBLY	1	2011-11_

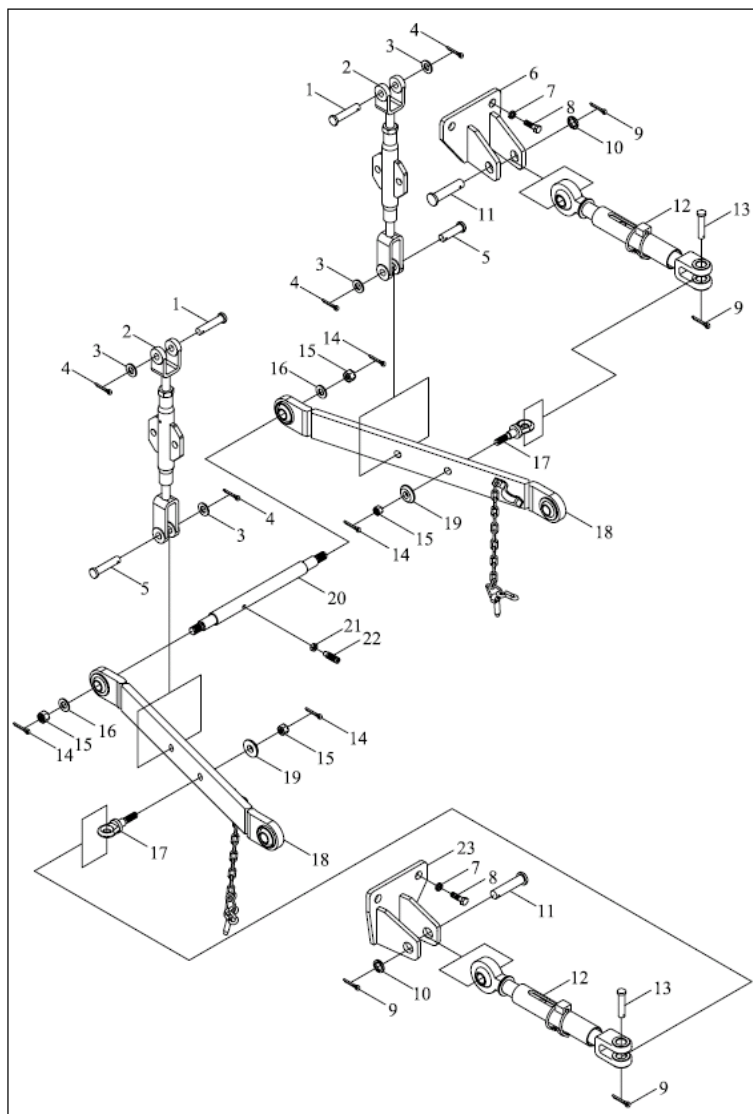
TE254.50A 油箱装配总成



TE254.50A 50-油箱装配总成(续)

标号 No.	代号 Code	名称 Description	数量 Quantity	备注 Remark
9	TE254.50A-06	BREATH PIPE	1	2013-04_
9	TF1004.502-02	BREATH PIPE	1	2011-11_

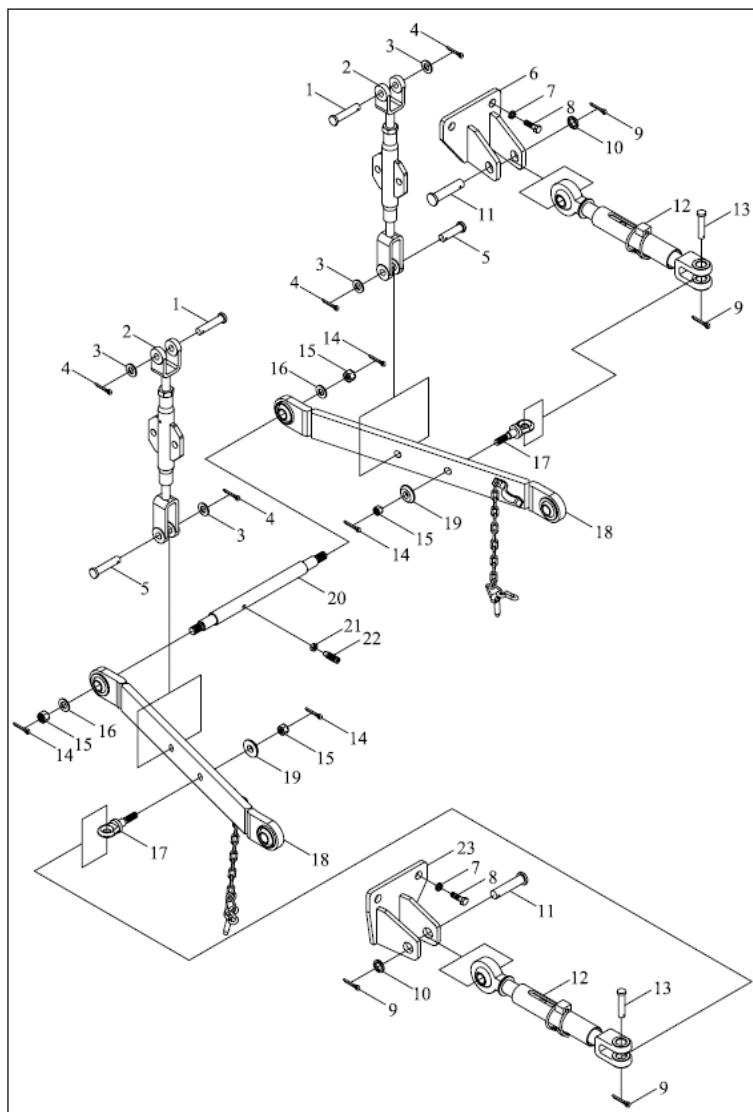
TE250.56D 悬挂机构总成-1



TE250.56D-1 56.1-悬挂机构总成-1 SUSPENSION MECHANISM ASSEMBLY-1

标号 No.	代号 Code	名称 Description	数量 Quantity	备注 Remark
1	TE250.56D-01	LIFTING ROD UPPER CONNECTING PIN	2	2011-11_
10	FT250.56.103	COVER	2	2011-11_
11	FT250.56.106	LIMITING ROD CONNECTING PIN	2	2011-11_
12	TE250.56D.2	LIMIT ROD ASSEMBLY	2	2011-11_
14	GBT91-4X36-A0P	PIN	4	2011-11_
16	GBT97.1-16-A0P	WASHER	2	2011-11_
17	TE300.56-11	LIMITING ROD REAR CONNECTING PIN	2	2014-07_
17	TE300.56-01	LIMITING ROD REAR CONNECTING PIN	2	2011-11_
18	TE250.56D.1	LOWER PULL ROD ASSEMBLY	2	2011-11_
19	TE300.56-02	ROUND BOARD	2	2011-11_
2	TE250.56D.3	LIFTING ROD ASSEMBLY	2	2011-11_
20	FT250.56.102	LOWER PULL ROD FIXING SHAFT	1	2011-11_
21	GBT6172.1-M12-A3L	NUT	1	2011-11_
22	FT250.56.125	THRUST SCREW	1	2011-11_
22	FT250.56.125	THRUST SCREW	1	2011-11_
23	TE250.56D.6	LEFT LIMITING ROD BRACKET WELDMENT	1	2011-11_
23	TE250.56D.6	LEFT LIMITING ROD BRACKET WELDMENT	1	2011-11_
3	GBT97.1-20-A0P	WASHER	4	2011-11_
3	GBT97.1-20-A0P	WASHER	4	2011-11_
4	GBT91-4X28-A0P	PIN	6	2011-11_
5	TE300.56-03	LIFTING ROD LOWER CONNECTING PIN	2	2011-11_
6	TE250.56D.5	RIGHT LIMITING ROD BRACKET WELDMENT	1	2011-11_
7	GBT93-14-A0P	SPRING WASHER	4	2011-11_
7	GBT93-14-A0P	SPRING WASHER	4	2011-11_
8	GBT5783-M14X35-A3L	BOLT	4	2011-11_

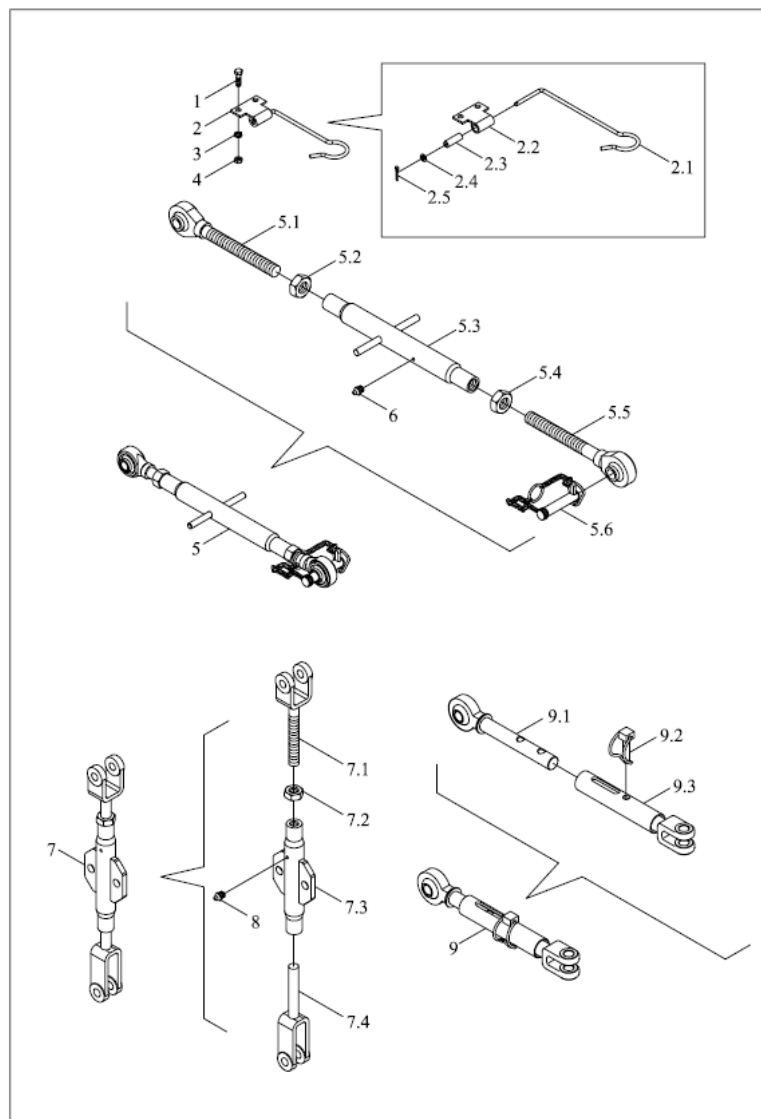
TE250.56D 悬挂机构总成-1



TE250.56D-1 56.1-悬挂机构总成-1(续)

标号 No.	代号 Code	名称 Description	数量 Quantity	备注 Remark
9	GBT91-5X32-A0P	PIN	2	2011-11_

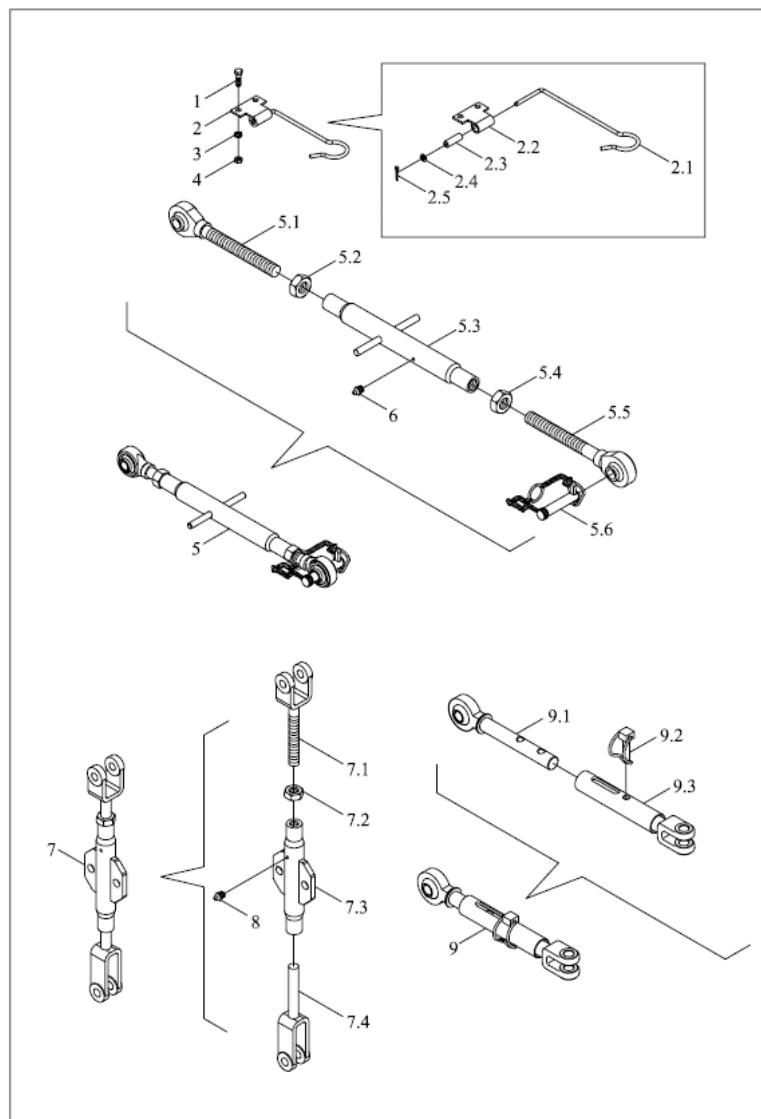
TE250.56D 悬挂机构总成-2



TE250.56D-2 56.2-悬挂机构总成-2 SUSPENSION MECHANISM ASSEMBLY-2

标号 No.	代号 Code	名称 Description	数量 Quantity	备注 Remark
2	TE300.56.6	UPPER PULL ROD FIXED CLIP COMBINATION	1	2011-11_
2.1	TE300.56.6-02	UPPER PULL ROD FIXING CLIP	1	2011-11_
2.2	TE300.56.6-01	FIXING SEAT	1	2011-11_
2.3	TE300.56.6-03	NYLON BUSH	1	2011-11_
2.4	GBT96.1-6-A0P	WASHER	1	2011-11_
2.5	GBT91-2X14-A0P	PIN	1	2011-11_
3	GBT93-8-A0P	WASHER	2	2011-11_
4	GBT6170-M8-A2L	NUT	2	2011-11_
5	TE250.56D.4	UPPER PULL ROD ASSEMBLY	1	2011-11_
5.1	TE250.56D.4.1	UPPER PULL ROD FRONT ADJUSTING ROD ASSEMBLY	1	2011-11_
5.2	GBT6171-M22X1.5-A3L	NUT	1	2011-11_
5.3	FT250.56.031	ADJUSTING SCREW WELDMENT	1	2011-11_
5.4	GBT6171-M22X1.5-LH-A3L	NUT	1	2011-11_
5.5	TE250.56D.4.2	UPPER PULL ROD REAR ADJUSTING ROD ASSEMBLY	1	2011-11_
5.6	FT300.56A.113	LOCKING PIN CHAIN ASSEMBLY	1	2011-11_
6	JBT7940.1-M6	STRAIGHT PRESSURE FILLING OIL CUP	1	2011-11_
7	TE250.56D.3	LIFTING ROD ASSEMBLY	2	2011-11_
7.1	TE250.56D.3-01	LIFTING ROD UPPER CONNECTING FORK	1	2011-11_
7.2	TE300.56.2-03	TRAPEZOIDAL NUT	1	2011-11_
7.3	TE250.56D.3.1	LIFTING ROD SOLENOID ASSEMBLY	1	2011-11_
7.4	TE250.56D.3-02	LIFTING ROD LOWER CONNECTING FORK	1	2011-11_
8	JBT7940.1-M8X1	STRAIGHT PRESSURE FILLING OIL CUP	1	2011-11_
9	TE250.56D.2	LIMIT ROD ASSEMBLY	2	2011-11_
9.1	TE250.56D.2.1	EXTENSIBLE GUIDE ROD ASSEMBLY	1	2011-11_
9.2	FT300.56A.023	LIMITING ROD LOCK PIN ASSEMBLY	1	2011-11_

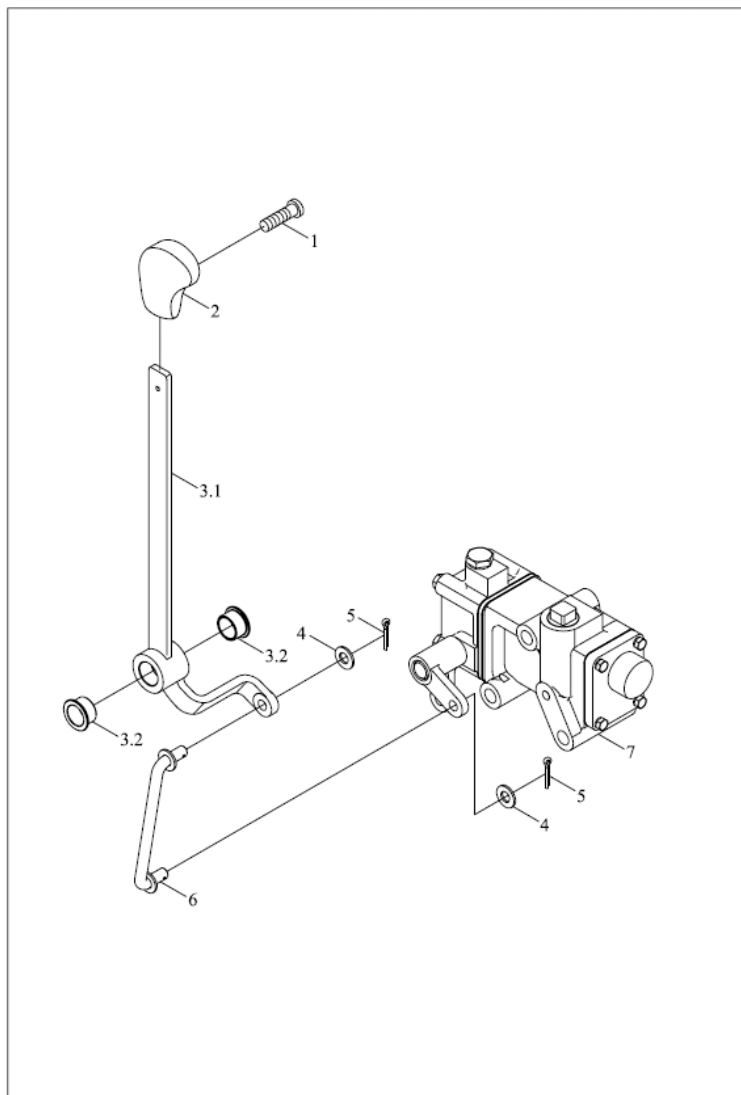
TE250.56D 悬挂机构总成-2



TE250.56D-2 56.2-悬挂机构总成-2(续)

标号 No.	代号 Code	名称 Description	数量 Quantity	备注 Remark
9.3	TE250.56D.2.2	LIMITING SLEEVE ASSEMBLY	1	2011-11_

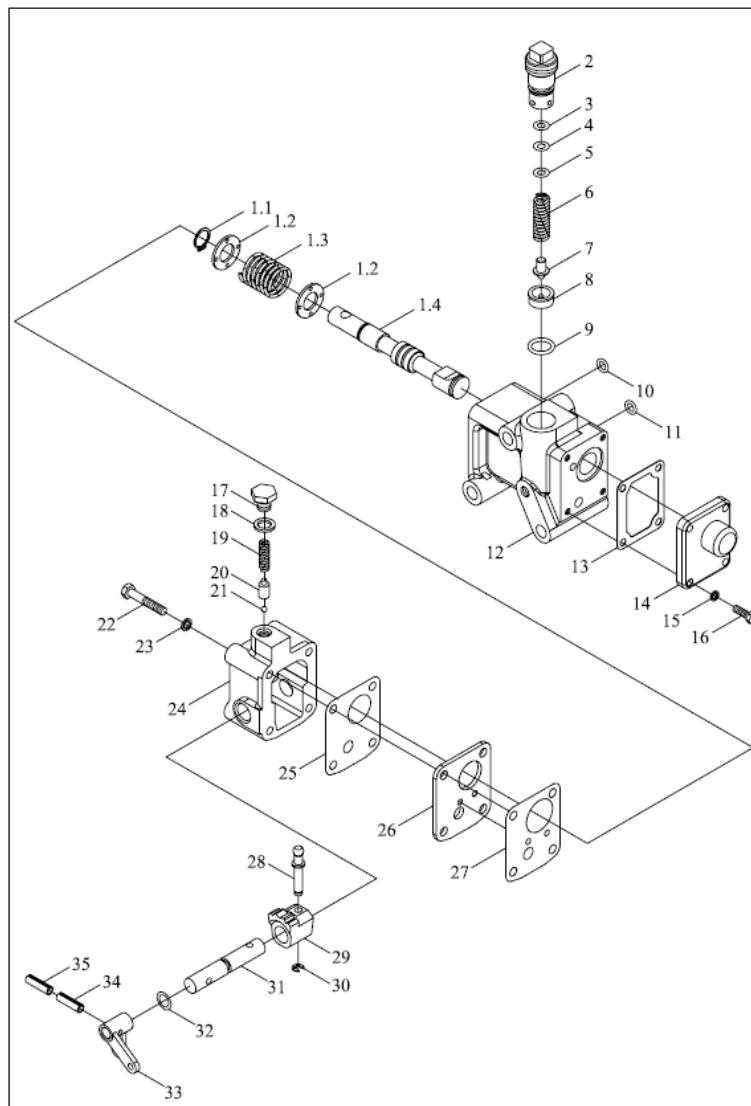
TE250.57 分配器及操纵机构总成-1



TE250.57-1 57.1-分配器及操纵机构总成-1 DISTRIBUTOR AND CONTROL MECHANISM ASSEMBLY-1

标号 No.	代号 Code	名称 Description	数量 Quantity	备注 Remark
1	GBT68-M4X10-A2L		1	2011-11_
2	TB504.552-04	HANDLE HEAD ASSEMBLY	1	2011-11_
3	TE250.57.2	CONTROL HANDLE ASSEMBLY	1	2010-11_
3.1	TE250.57.2.1	CONTROL HANDLE WELDMENT	1	2010-11_
3.1	TE250.57.2.1	CONTROL HANDLE WELDMENT	1	2010-11_
3.2	TE250.57.2-01	NYLON BUSH	2	2011-11_
4	GBT97.1-8-A0P	WASHER	2	2011-11_
5	GBT91-2X18-A0P	PIN	2	2011-11_
6	TE250.57.3	WELDED PUSHING ROD	1	2011-11_
6	TE250.57.3	WELDED PUSHING ROD	1	2011-11_
7	TE250.57.1	DISTRIBUTER ASSEMBLY	1	2011-11_

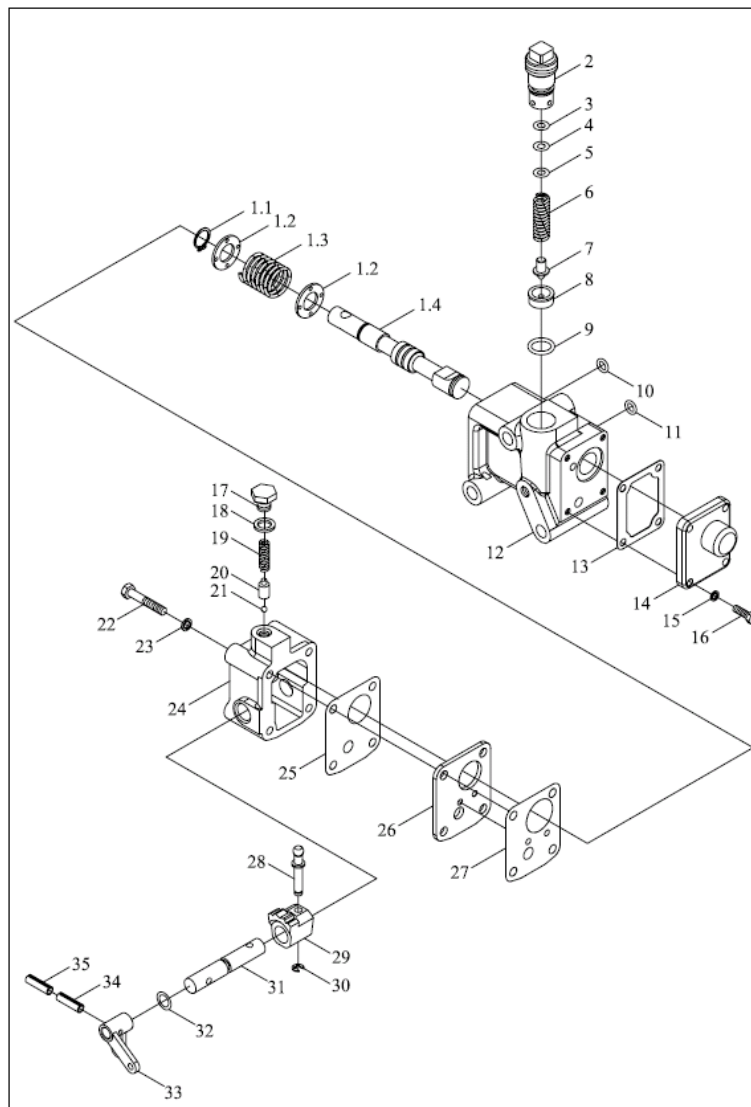
TE250.57 分配器及操纵机构总成-2



TE250.57-2 57.2-分配器及操纵机构总成-2 DISTRIBUTOR AND CONTROL MECHANISM ASSEMBLY-2

标号 No.	代号 Code	名称 Description	数量 Quantity	备注 Remark
0	TE250.57.1	DISTRIBUTER ASSEMBLY	1	2011-11_
1	FT250.57.010	SLIDING VALVE ASSEMBLY	1	2011-11_
1.1	GBT894.1-15	SNAP RING	1	2011-11_
1.2	FT250.57.115	SPRING RETAINER PIECE	2	2011-11_
1.3	FT250.57.114	SLIDING VALVE RETURN SPRING	1	2011-11_
1.4	FT250.57.113	SLIDING VALVE	1	2011-11_
10	GBT3452.1-13.2X2.65G	O-SEAL RING	1	2011-11_
11	GBT3452.1-19.0X2.65G	O-SEAL RING	1	2011-11_
12	FT250.57.104	DISTRIBUTOR HOUSING	1	2011-11_
13	FT250.57.103	FRONT COVER PAPER GASKET	1	2011-11_
14	FT250.57.102	FRONT COVER	1	2011-11_
15	GBT93-5-A0P	WASHER	4	2011-11_
16	GBT5781-M5X16-A2L	BOLT	4	2011-11_
17	FT250.57.123	SCREW PLUG	1	2011-11_
18	FT250.57.124	ADJUSTING WASHER	1	2011-11_
19	FT250.57.122	LOCATING SPRING	1	2011-11_
2	FT250.57.128	PRESSURE PLUG	1	2011-11_
20	FT250.57.121	LOCATING SPRING SEAT	1	2011-11_
21	GBT308-5-G100-b	BALL	1	2011-11_
22	GBT5780-M6X55-A1L	BOLT	4	2011-11_
23	GBT93-6-A0P	SPRING WASHER	4	2011-11_
24	FT250.57.108	COVER REAR	1	2011-11_
25	FT250.57.107	REAR COVER GASKET	1	2011-11_
26	FT250.57.106	RETAINER PLATE	1	2011-11_
27	FT250.57.105	RETAINER PLATE PAPER GASKET	1	2011-11_

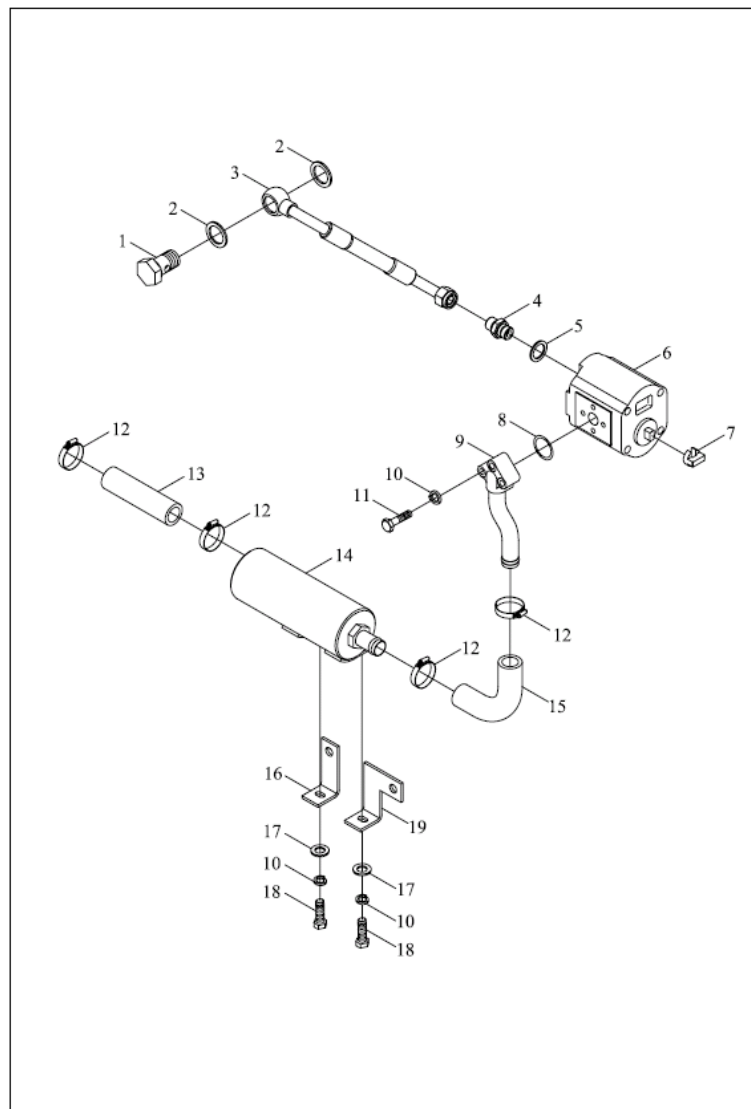
TE250.57 分配器及操纵机构总成-2



TE250.57-2 57.2-分配器及操纵机构总成-2(续)

标号 No.	代号 Code	名称 Description	数量 Quantity	备注 Remark
28	FT250.57.120	DIAL PIN	1	2011-11_
29	FT250.57.119	LOCATING BLOCK	1	2011-11_
3	FT250.57.112	ADJUSTING WASHER	1	2011-11_
30	GBT896-4	SNAP RING	1	2011-11_
31	TE250.57.1-01	HANDLE SHAFT	1	2011-11_
32	GBT3452.1-9.50X2.65A	O-SEAL RING	1	2011-11_
33	TE250.57.1-02	CONTROL ROCKER 1	1	2011-11_
34	GBT879.1-4X22	PIN	1	2011-11_
35	GBT879.1-6X22	PIN	1	2011-11_
4	FT250.57.111	ADJUSTING WASHER	1	2011-11_
5	FT250.57.110	ADJUSTING WASHER	1	2011-11_
6	FT250.57.129	SAFETY VALVE SPRING	1	2011-11_
7	FT250.57.131	SAFETY VALVE CORE	1	2011-11_
8	FT250.57.101	SAFETY VALVE SEAT	1	2011-11_
9	GBT3452.1-15.0X2.65G	O-SEAL RING	1	2011-11_

TE254.581H 油泵油管滤油器总成



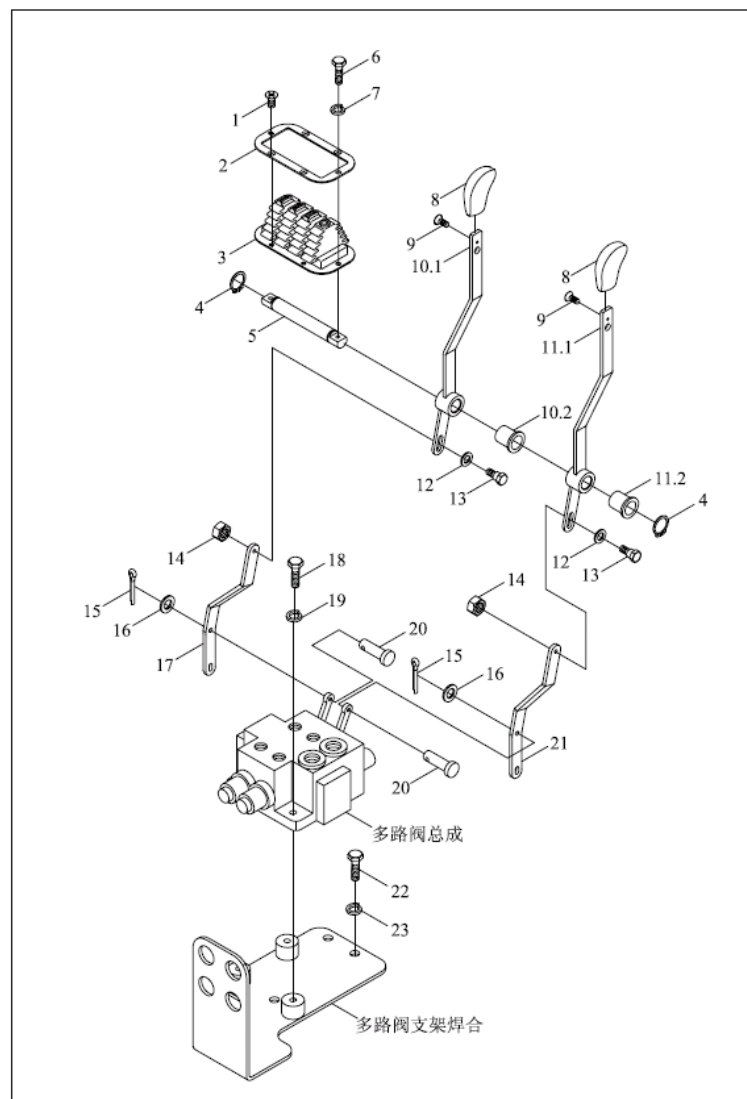
TE254.581H 58.1-油泵油管滤油器总成 58.1-OIL PUMP/PIPE/FILTER ASSEMBLY

标号 No.	代号 Code	名称 Description	数量 Quantity	备注 Remark
1	FT254.58.132	HOLLOW BOLT	1	2011-11_
10	GBT93-8-A0P	WASHER	2	2013-08_
11	GBT5783-M8X40-A2L	BOLT	3	2013-08_
12	Q67638	A-TYPE WORM TRANSMISSION HOSE CLAMP	4	2011-11_
13	FT254.58.135	RUBBER HOSE	1	2011-11_
14	TE254.581H.3	OIL SUCTION FILTER ASSEMBLY	1	2011-11_
15	TE254.581H-01	OIL SUCTION HOSE	1	2011-11_
16	TE254.581H-03	OIL FILTER REAR BRACKET	1	2011-11_
19	TE254.581H-02	OIL FILTER FRONT BRACKET	1	2011-11_
2	JBT982-24	COMBINED SEAL GASKET	2	2013-08_
3	TE254.581H.2	OIL OUTLET PIPE ASSEMBLY OF PUMP	1	2011-11_
4	FT804.58.112	STRAIGHT PIPE JOINT BODY	1	2011-11_
5	GBT97.1-8-A0P	WASHER	2	2004-01_
6	FT254.58.010	GEAR PUMP	1	2011-11_
7	FT254.58.127	CROSS SLIDE BLOCK	1	2011-11_
8	GBT3452.1-21.2X1.80G	O-SEAL RING	1	2013-08_
9	TE254.581H.1	OIL SUCTION PIPE WELDMENT OF PUMP	1	2011-11_

TE254.582H-1 58.2.1-多路阀油管总成-1 MULTI-WAY VALVE OIL PIPE ASSEMBLY-1

标号 No.	代号 Code	名称 Description	数量 Quantity	备注 Remark
1	FT354.58A.103	DUSTPROOF COVER	4	2011-11_
10	FT654.58.114	THICK WASHER-2	2	2011-11_
11	TE254.582C.10	MULTI-WAY VALVE ASSEMBLY	1	2004-01_
11	TE254.582H.2	MULTI-WAY VALVE ASSEMBLY	1	2008-07_
12	FT654.58.112	HOLLOW BOLT -3	2	2011-11_
13	TE254.582H.3	MULTI-WAY VALVE OIL OUTPUT PIPE WELDMENT I	1	2011-11_
14	TE254.582H.4	MULTI-WAY VALVE OIL OUTPUT PIPE WELDMENT II	1	2011-11_
14	TE254.582H.4	MULTI-WAY VALVE OIL OUTPUT PIPE WELDMENT II	1	2011-11_
2	FT354.58A.030	QUICK CHANGING JOINT	4	2011-11_
3	FT354.58A.104	BRITISH SYSTEM OIL PIPE JOINT	4	2011-11_
4	TE254.582H-10	STEEL PLATE MAT	1	2004-01_
5	TE254.582H.1a	MULTI-WAY VALVE BRACKET WELDMENT	1	2008-08_
5	TE254.582H.1	MULTI-WAY VALVE BRACKET WELDMENT	1	2004-01_
6	FT654.58.113	HOLLOW BOLT -4	2	2011-11_
7	JBT982-18	COMBINED SEAL GASKET	10	2011-11_
7	JBT982-18	COMBINED SEAL GASKET	10	2011-11_
8	TE254.582H.5	MULTI-WAY VALVE OIL OUTPUT PIPE WELDMENT III	1	2011-11_
9	TE254.582H.6	MULTI-WAY VALVE OIL OUTPUT PIPE WELDMENT IV	1	2004-01_
9	TE254.582H.6a	MULTI-WAY VALVE OIL OUTPUT PIPE WELDMENT IV	1	2008-08_

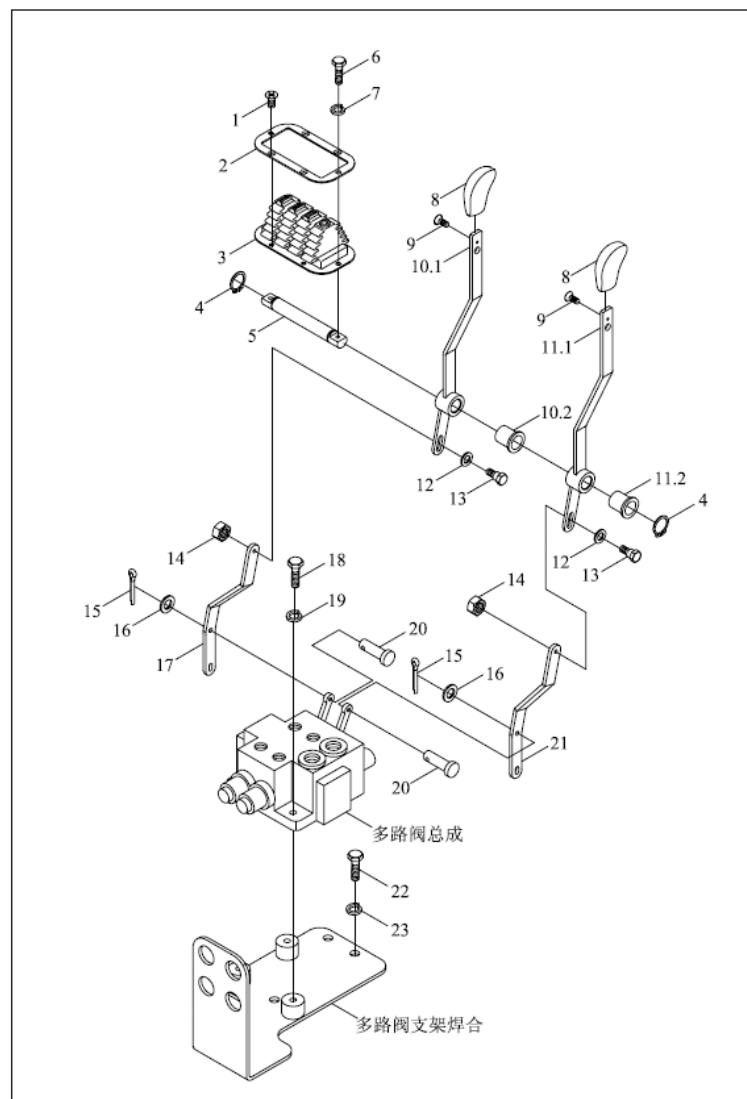
TE254.582H 多路阀油管总成-2



TE254.582H-2 58.2.2-多路阀油管总成-2 MULTI-WAY VALVE OIL PIPE ASSEMBLY-2

标号 No.	代号 Code	名称 Description	数量 Quantity	备注 Remark
1	GBT819.1-M5X10-A2L	CUNERSUNK FLAT HEAD SCREW WITH CROSS RECESS	4	2011-11_
1	GBT819.1-M5X10-A2L	CUNERSUNK FLAT HEAD SCREW WITH CROSS RECESS	4	2011-11_
10	TE254.582H.12	MULTI-WAY VALVE CONTROL LEFT HANDLE PRESSURE UNIT	1	2011-11_
10.1	TE254.582H.12.1	MULTI-WAY VALVE LEFT CONTROL ROD WELDMENT	1	2011-11_
10.2	TE254.582H.11-01	NYLON SLEEVE	1	2011-11_
11	TE254.582H.11	MULTI-WAY VALVE CONTROL RIGHT HANDLE PRESSURE UNIT	1	2011-11_
11.1	TE254.582H.11.1	RIGHT CONTROL ROD WELDMENT	1	2011-11_
11.2	TE254.582H.11-01	NYLON SLEEVE	1	2011-11_
12	GBT97.1-8-A0P	WASHER	2	2011-11_
13	TE254.582H-08	STEP BOLT	2	2011-11_
14	GBT6174-M6-A2L	NUT	2	2011-11_
15	GBT91-2X14-A0P	PIN	4	2011-11_
16	GBT97.1-5-A0P	WASHER	4	2011-11_
17	TE254.582H-06	MULTI-WAY VALVE CONTROL LEFT CONNECTING ROD	1	2011-11_
18	GBT5783-M10X30-A3L	BOLT	3	2011-11_
19	GBT93-10-A0P	WASHER	3	2011-11_
2	TE254.582H-10	STEEL PLATE MAT	1	2011-11_
20	GBT882-B5X18	PIN	4	2011-11_
21	TE254.582H-05	MULTI-WAY VALVE CONTROL RIGHT CONNECTING ROD	1	2011-11_
22	GBT5783-M12X30-A3L	BOLT	3	2011-11_
23	GBT93-12-A0P	SPRING WASHER	3	2011-11_
3	TE254.582H-09	SEAL SLEEVE	1	2011-11_
4	GBT894.1-18	RETAINER RING	2	2011-11_
5	TE254.582H-07	ROTATING SHAFT	1	2011-11_
6	GBT5781-M6X25-4.8-A2L	BOLT	2	2011-11_

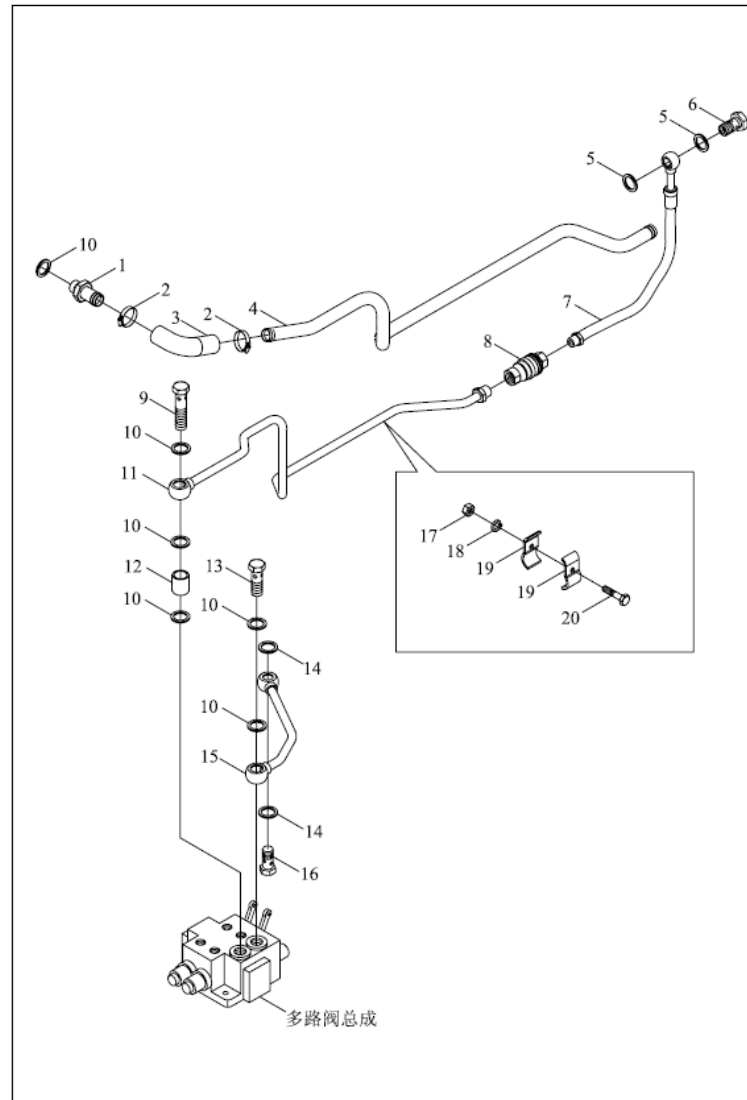
TE254.582H 多路阀油管总成-2



TE254.582H-2 58.2.2-多路阀油管总成-2(续)

标号 No.	代号 Code	名称 Description	数量 Quantity	备注 Remark
7	GBT93-6-A0P	SPRING WASHER	2	2011-11_
8	TB504.552-04	HANDLE HEAD ASSEMBLY	2	2011-11_
9	GBT68-M4X10-A2L		2	2011-11_

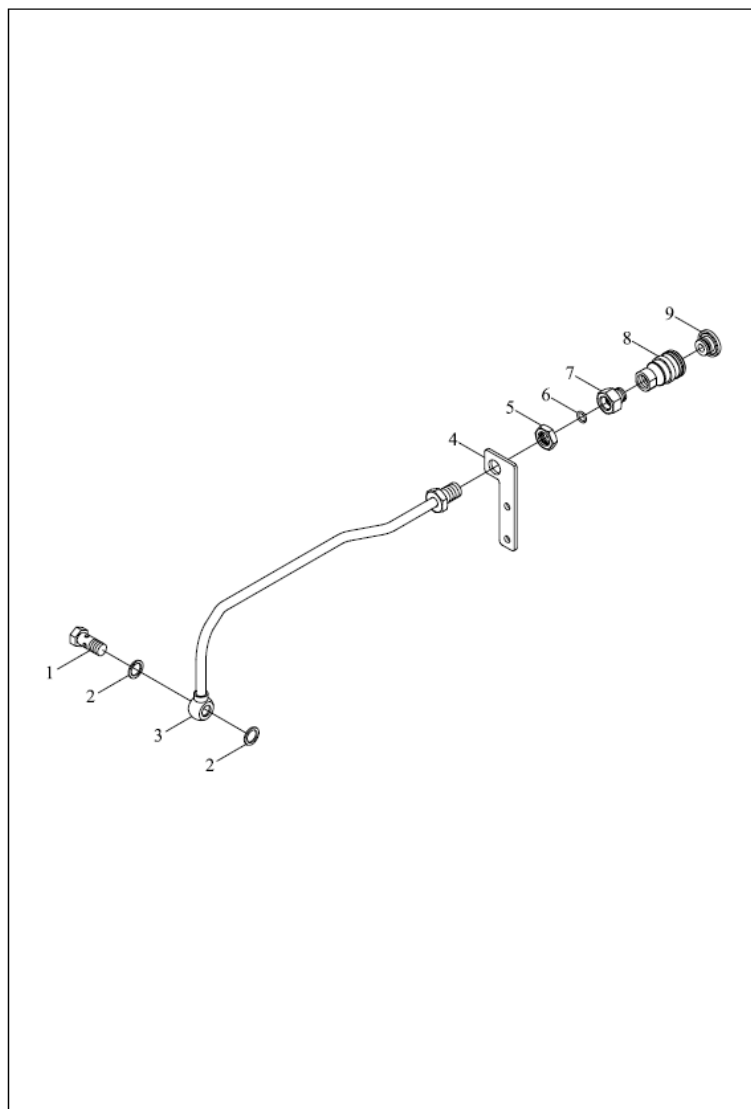
TE254.582H 多路阀油管总成-3



TE254.582H-3 58.2.3-多路阀油管总成-3 OIL PIPE ASSEMBLY、MULTI-WAY VALVE-3

标号 No.	代号 Code	名称 Description	数量 Quantity	备注 Remark
1	TE254.582H.7	STRAIGHT JOINT WELDMENT	1	2011-11_
10	JBT982-22	COMBINED SEAL GASKET	6	2011-11_
11	TE254.582H.8	MULTI-WAY VALVE OIL INLET PIPE WELDMENT	1	2011-11_
12	TE254.582H-03	LONG SLEEVE	1	2011-11_
13	FT654.58.107	HOLLOW BOLT -1	1	2011-11_
14	JBT982-18	COMBINED SEAL GASKET	2	2011-11_
14	JBT982-18	COMBINED SEAL GASKET	2	2011-11_
15	TE254.582H.9	DISTRIBUTOR OIL INLET PIPE WELDMENT	1	2011-11_
16	FT654.58.112	HOLLOW BOLT -3	1	2011-11_
17	GBT6170-M6-A2L	NUT	2	2011-11_
18	GBT93-6-A0P	SPRING WASHER	2	2011-11_
19	FT254.58.033	OIL PIPE CLAMP AND RUBBER WASHER	4	2011-11_
2	Q67638	A-TYPE WORM TRANSMISSION HOSE CLAMP	2	2011-11_
20	GBT5781-M6X30-4.8-A2L	BOLT	2	2011-11_
3	TE254.582H-02	OIL SUCTION HOSE	1	2011-11_
4	TE254.582H-01	OIL SUCTION STEEL PIPE	1	2011-11_
5	JBT982-20	COMBINED SEAL GASKET	2	2011-11_
6	FT650.40.102	HOLLOW BOLT M20X1.5	1	2011-11_
7	TE254.582H.10	STEADY FLOW VALVE OIL OUTLET PIPE WELDMENT	1	2011-11_
8	FT354.58A.030	QUICK CHANGING JOINT	5	2011-11_
9	TE254.582H-04	HOLLOW BOLT	1	2011-11_
9	TE254.582H-04	HOLLOW BOLT	1	2011-11_

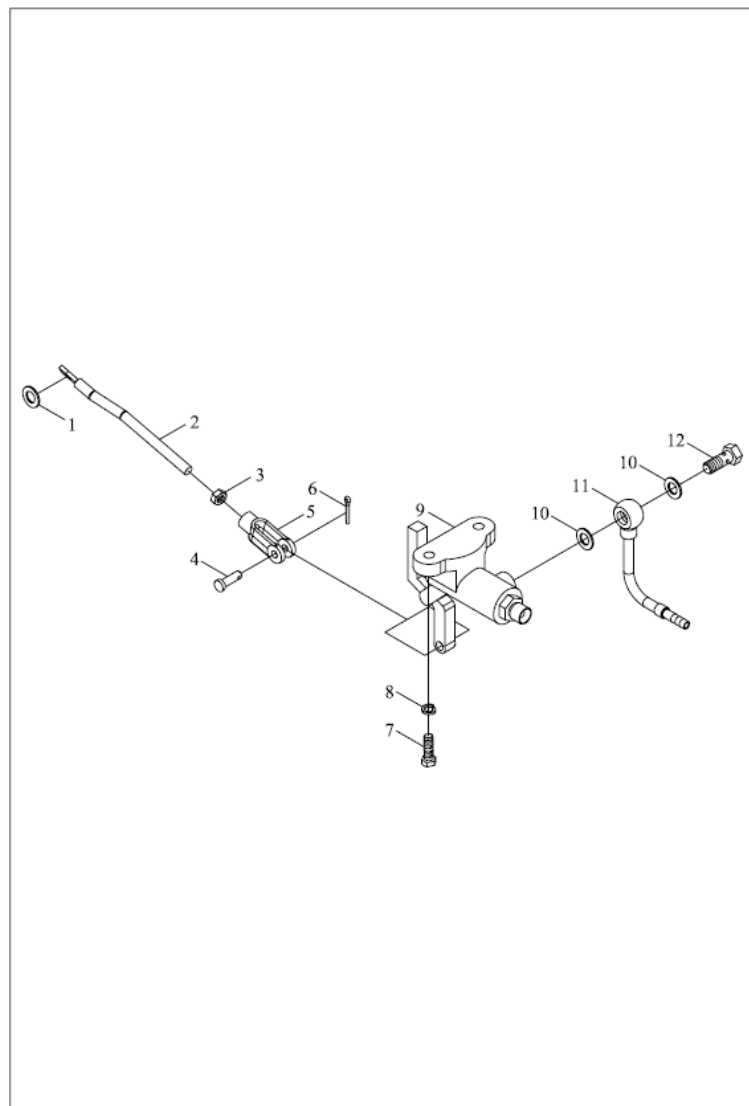
TE250.583 单路液压输出总成1



TE250.583 58.3-单路液压输出总成1 58.3-SINGLE-WAY HYDRAULIC OUTPUT ASSEMBLY 1

标号 No.	代号 Code	名称 Description	数量 Quantity	备注 Remark
1	FT654.58.112	HOLLOW BOLT -3	1	2011-11_
2	JBT982-18	COMBINED SEAL GASKET	2	2011-11_
2	JBT982-18	COMBINED SEAL GASKET	2	2011-11_
3	TE250.583.1	HYDRAULIC OIL OUTPUT PIPE WELDMENT	1	2011-11_
4	TE250.583-01	HYDRAULIC OIL OUTPUT PIPE BRACKET	1	2011-11_
5	GBT6173-M22X1.5-A3L	NUT	1	2013-07_
6	GBT3452.1-12.5X2.65G	O-SEAL RING	1	2011-11_
7	FT354.58A.104	BRITISH SYSTEM OIL PIPE JOINT	1	2011-11_
8	FT354.58A.030	QUICK CHANGING JOINT	1	2011-11_
9	FT354.58A.103	DUSTPROOF COVER	1	2011-11_

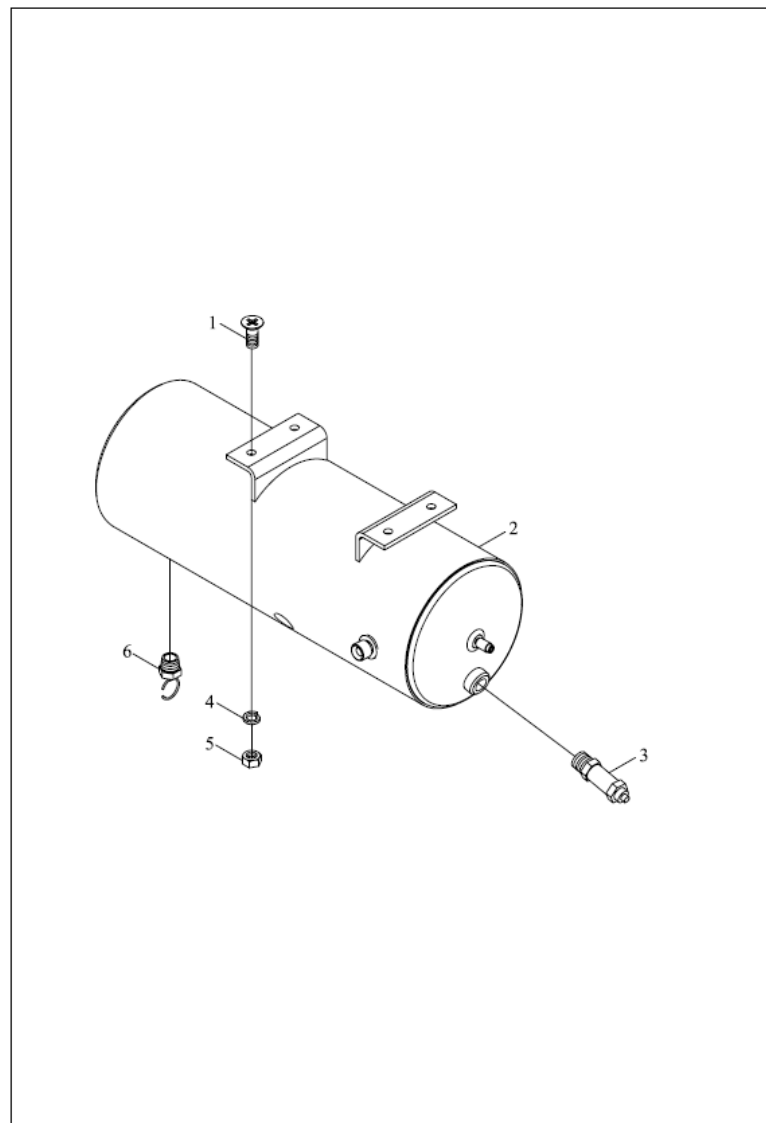
TE254.801 制动阀总成



TE254.801 80.1-制动阀总成 80.1-BRAKE VALVE ASSEMBLY

标号 No.	代号 Code	名称 Description	数量 Quantity	备注 Remark
1	GBT97.1-8-A0P	WASHER	1	2011-11_
10	JBT982-14	COMBINED SEAL GASKET	2	2011-11_
10	JBT982-14	COMBINED SEAL GASKET	2	2011-11_
11	TE254.803.4	TRAILER CONNECTING PIPE WELDMENT	1	2011-11_
12	FT354.40E.172	HOLLOW BOLT	1	2011-11_
2	FT250.80.101		1	2011-11_
3	GBT6170-M10-A3L	NUT	1	2011-11_
4	GBT882-B10X30	PIN	1	2011-11_
5	FT300.80.105	ADJUSTING FORK	1	2011-11_
6	GBT91-2.5X25-A0P	PIN	1	2011-11_
7	GBT5783-M10X25-A3L	BOLT	2	2011-11_
8	GBT93-10-A0P	WASHER	2	2011-11_
9	TE254.801.1	BRAKE VALVE	1	2011-11_

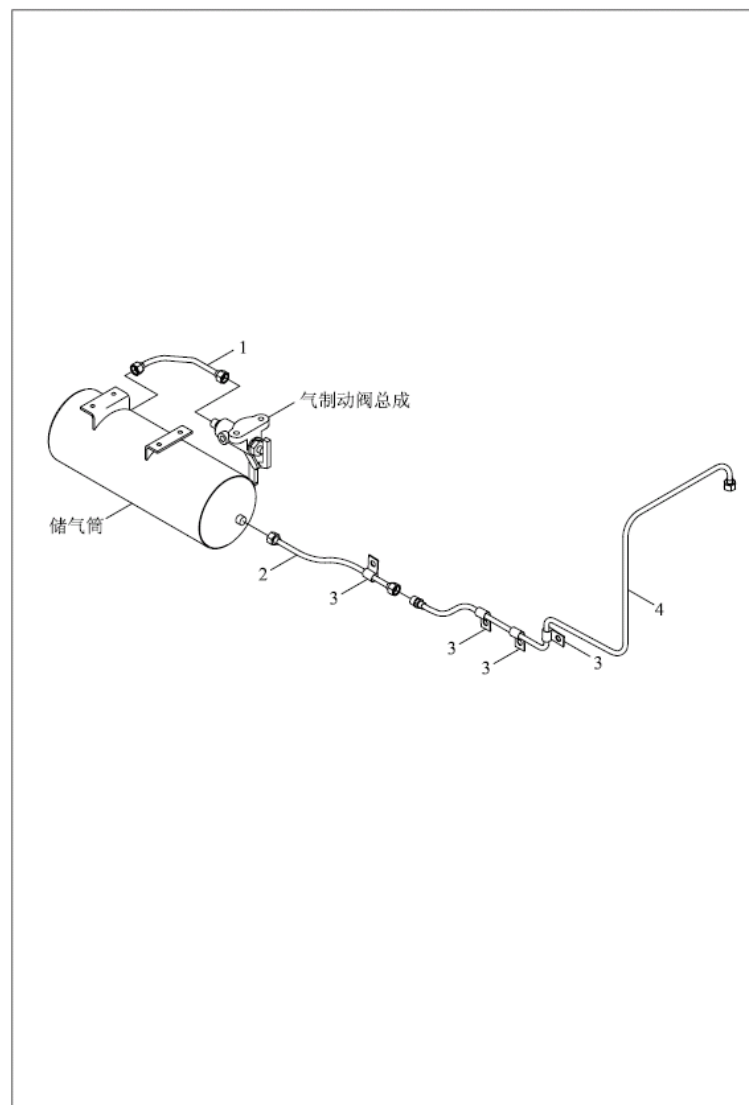
TE254.802 储气筒总成



TE254.802 80.2-储气筒总成 80.2-AIR CYLINDER ASSEMBLY

标号 No.	代号 Code	名称 Description	数量 Quantity	备注 Remark
1	GBT819.1-M8X20-A2L	CUNERSUNK FLAT HEAD SCREW WITH CROSS RECESS	4	2011-11_
2	TE254.802.1	AIR CYLINDER WELDMENT	1	2011-11_
3	FT300.80.034	SAFETY VALVE ASSEMBLY	1	2011-11_
4	GBT93-8-A0P	WASHER	4	2011-11_
5	GBT6170-M8-A2L	NUT	4	2011-11_
6	FT300.80.033	DRAIN VALVE ASSEMBLY	1	2011-11_

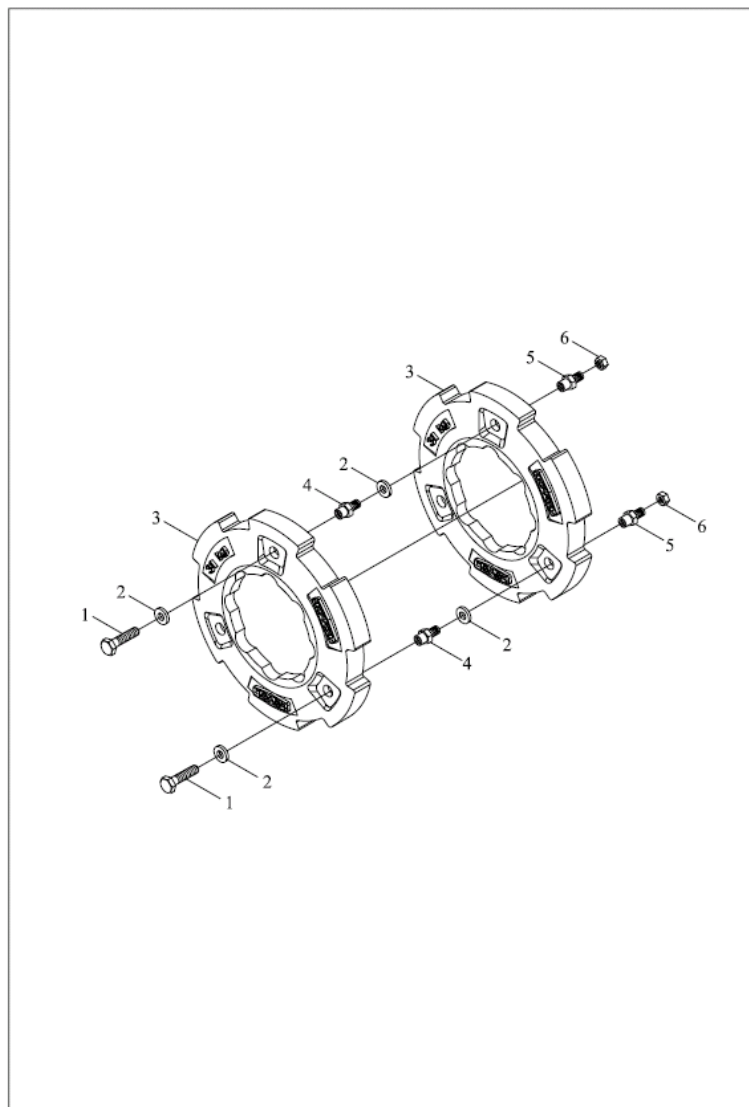
TE254.803 输气管路总成



TE254.803 80.3-输气管路总成 80.3-AIR CONVEYING PIPELINE ASSEMBLY

标号 No.	代号 Code	名称 Description	数量 Quantity	备注 Remark
1	TE254.803.3	AIR CYLINDER OUTLET PIPE WELDMENT	1	2011-11_
2	TE254.803.2	AIR CYLINDER INLET PIPE WELDMENT	1	2011-11_
3	FT250.80.142	PIPE CLAMP I	4	2011-11_
4	TE254.803.1	AIR MACHINE OUTLET PIPE WELDMENT	1	2011-11_
4	TE254.803.1	AIR MACHINE OUTLET PIPE WELDMENT	1	2011-11_

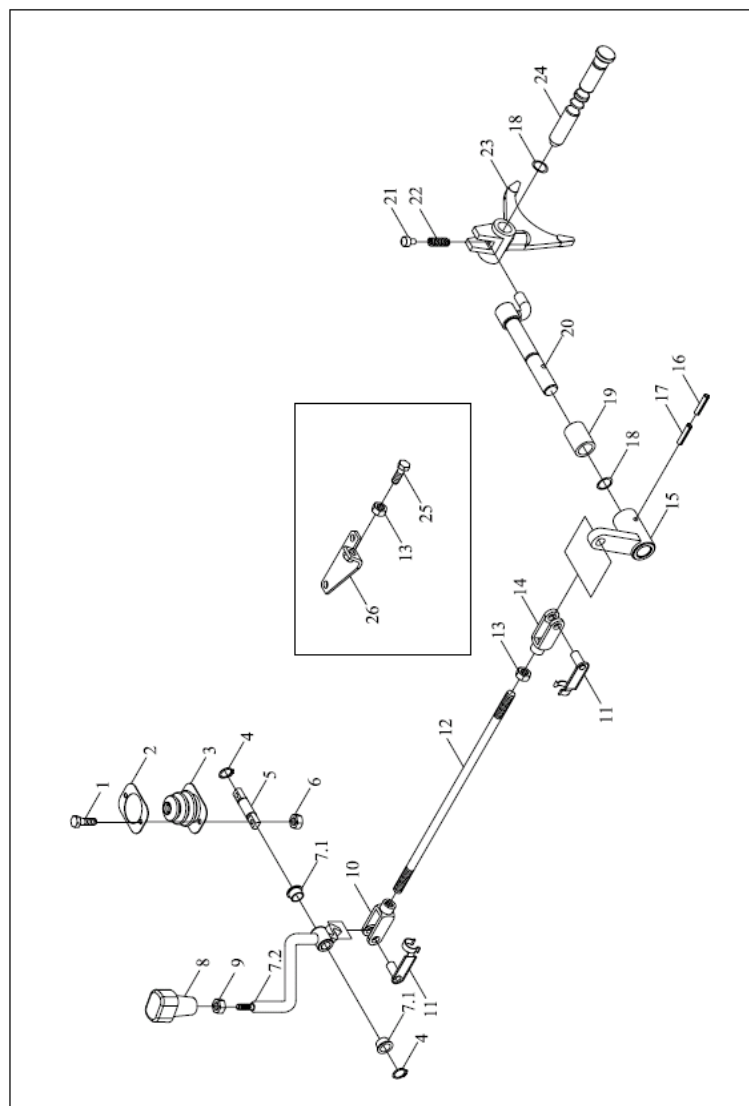
FT250.91B.001 后配重总成



FT250.91B.001 91-后配重总成 91-REAR BALLAST ASSEMBLY

标号 No.	代号 Code	名称 Description	数量 Quantity	备注 Remark
1	GBT5783-M16X1.5X35-A3L	BOLT	3	2011-11_
1	GBT5783-M16X30-8.8-A3L	BOLT	3	2004-01_
1	TE350.91-04	BOLT	3	2011-11_
2	FT650.34.104	WASHER	6	2011-11_
3	FT250.91B.101	REAR BALLAST	2	2011-11_
4	FT250.91B.103	BALLAST SCREW II	3	2011-11_
5	FT250.91B.102	BALLAST SCREW I	3	2011-11_
6	GBT6171-M16X1.5-A3L	NUT	3	2011-11_

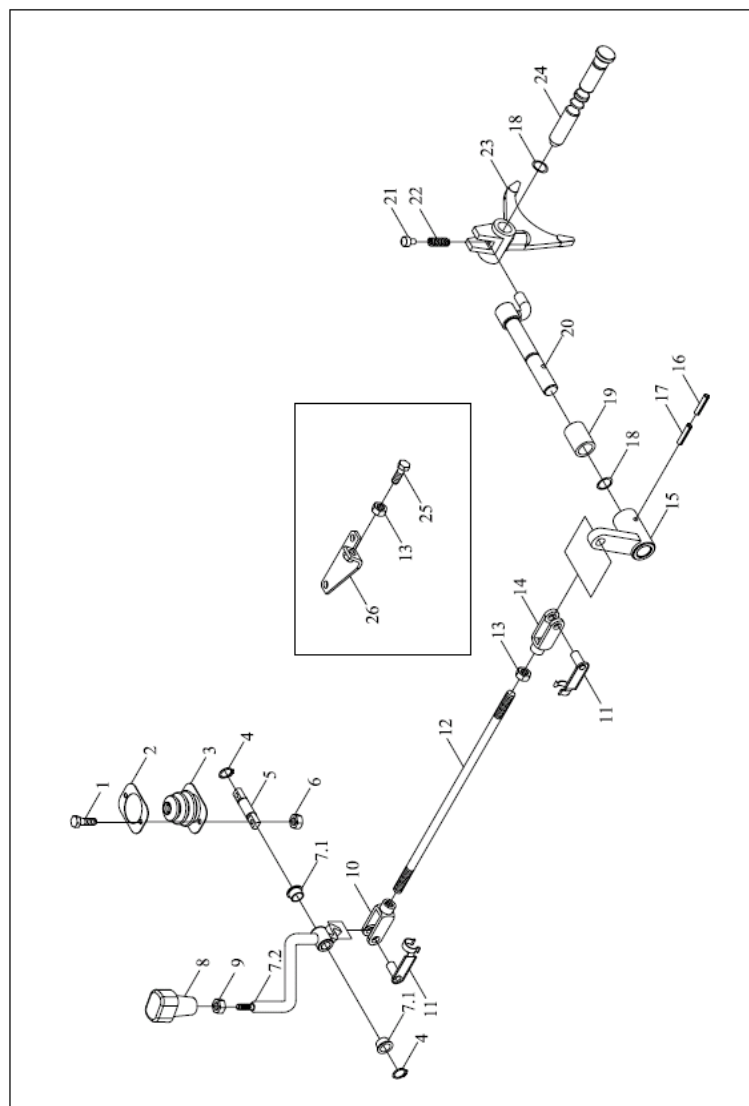
TE250.413D 动力输出操纵机构总成



TE250.413D 动力输出操纵总成 PTO CONTROL ASSEMBLY

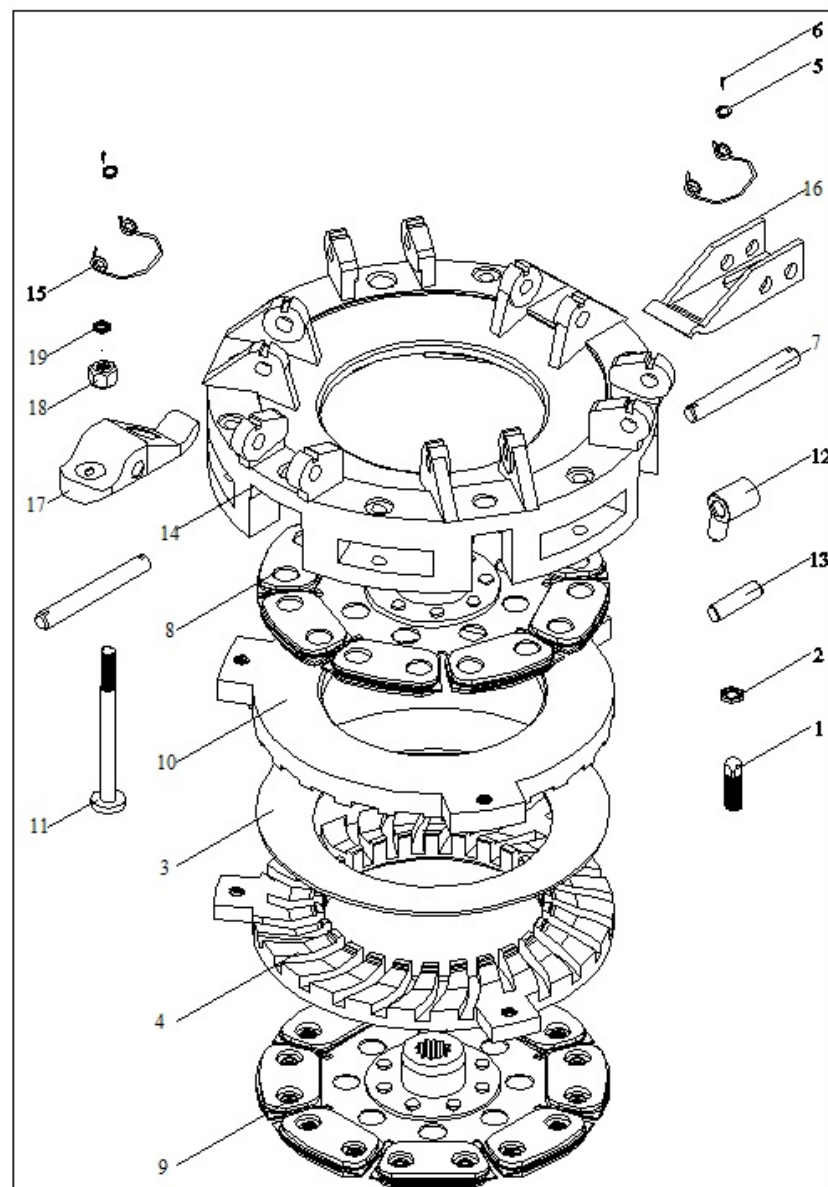
标号 No.	代号 Code	名称 Description	数量 Quantity	备注 Remark
1	GBT5783-M8X30-A2L	BOLT	2	2011-11_
10	FT800A.43B.119	LEFT REVOLVING PULL ROD FORK	1	2011-11_
11	FT800A.43B.011	LOCATING PIN RIVET UNIT	2	2011-11_
12	TE250.413D-01	MIDDLE PULL ROD	1	2011-11_
13	GBT6172.1-M10-A3L	NUT	2	2011-11_
14	FT800A.43B.116	RIGHT REVOLVING PULL ROD FORK	1	2011-11_
15	TE250.413D.4	ROCKER WELDMENT	1	2011-11_
16	GBT879.1-6X26	PIN	1	2011-11_
17	GBT879.1-3.5X26	PIN	1	2011-11_
18	GBT3452.1-11.8X1.80G	O-SEAL RING	2	2011-11_
19	TE300.413-04	SPACER BUSH	1	2011-11_
2	TE250.413D-07	PRESSURE PLATE	1	2011-11_
20	TE250.413D.3	GEARSHIFT DIAL ROD WELDMENT	1	2011-11_
21	TE250.413D-05	GEARSHIFT SHAFT LOCK PIN	1	2011-11_
22	FT250.37.148	FORK SHAFT LOCKING SPRING	1	2011-11_
22	FT250.37.148	FORK SHAFT LOCKING SPRING	1	2011-11_
23	TE250.413D-02	FORK	1	2011-11_
24	TE250.413D-06	GEARSHIFT FORK SHAFT	1	2011-11_
25	GBT5783-M10X45-A3L	BOLT	1	2011-11_
26	TE250.413D.1	LIMITING PLATE WELDMENT	1	2011-11_
3	TE250.413D-03	DUST COVER	1	2011-11_
4	GBT894.1-18	RETAINER RING	2	2011-11_
5	TE250.413D-04	FIXING SHAFT	1	2011-11_
6	GBT6170-M18-A3L	NUT	2	2011-11_
7	TE250.413D.2	CONTROL ROD PRESSURE UNIT	1	2011-11_

TE250.413D 动力输出操纵机构总成



TE250.413D 动力输出操纵总成(续)

标号 No.	代号 Code	名称 Description	数量 Quantity	备注 Remark
7.1	TE250.413D.2-01	NYLON SLEEVE	2	2011-11_
7.1	TE250.413D.2-01	NYLON SLEEVE	2	2011-11_
7.2	TE250.413D.2.1	CONTROL ROD WELDMENT	1	2011-11_
7.2	TE250.413D.2.1	CONTROL ROD WELDMENT	1	2011-11_
8	TE300.413A.1	PTO GEARSHIFT HANDLE	1	2008-11_
8	FT250.41.016	PTO GEARSHIFT HANDLE	1	2008-04_
9	GBT6170-M10-A3L	NUT	1	2011-11_



TE250.211.1 离合器分总成 CLUTCH SUBASSEMBLY

标号 No.	代号 Code	名称 Description	数量 Quantity	备注 Remark
1	FT200.21B.110	MAIN CLUTCH ADJUSTING SCREW	3	
10	FT200.21B.113	MAIN CLUTCH PRESSURE PLATE	1	
11	FT400.21B.104	AUXILIARY CLUTCH PULL ROD	3	
12	FT200.21B.114	MAIN CLUTCH RELEASE PULL ROD	3	
13	FT300.21B.109	PIN	3	
14	FT200.21B.115	CLUTCH COVER	1	
15	FT200.21B.116	CLUTCH RELEASE LEVER SPRING	6	
16	FT200.21B.117	MAIN CLUTCH RELEASE LEVER	3	
16	FT200.21B.117	MAIN CLUTCH RELEASE LEVER	3	
17	FT200.21B.118	AUXILIARY CLUTCH RELEASE LEVER	3	
18	FT300.21B.105	BALL NUT	3	
18	FT300.21B.105	BALL NUT	3	
2	GBT6173-M10X1	NUT	3	
3	FT250.21B.105	DISC SPRING	1	
3	FT250.21B.105	DISC SPRING	1	
4	FT250.21B.112	AUXILIARY CLUTCH PRESSURE PLATE	1	
5	GBT91-3.2X20	PIN	12	
6	GBT848-10	WASHER	12	
7	FT300.21B.111	LONG PIN	6	
8	250.21.017T	MAIN CLUTCH DRIVEN PLATE ASSEMBLY	1	
9	250.21.014T	AUXILIARY CLUTCH DRIVEN PLATE ASSEMBLY	1	

