



# Parts Catalogue of Foton

(TB504-X461Y2C)

Foton Lovol International Heavy Industries Co.,Ltd

## 目录 CONTENTS

序号 No.	代码 Code	名称 Description	页次 Page
1	A498BT1-25-1	BODY ASSEMBLY AND ACCESSORY-1	1
2	A498BT1-25-10	FUEL SUPPLY SYSTEM ASSEMBLY-10	3
3	A498BT1-25-11	OIL FILTER、STARTINGAND GENERATOR ASSEMBLY -11	5
4	A498BT1-25-2	CYLINDER HEAD AND GAS EXCHANGING SYSTEM	7
5	A498BT1-25-3	OIL SUMP ASSEMBLY-3	13
6	A498BT1-25-4	PISTON CONNECTING ROD ASSEMBLY-4	15
7	A498BT1-25-5	CRANKSHAFT FLYWHEEL ASSEMBLY-5	17
8	A498BT1-25-6	TIMING GEAR TRAIN ASSEMBLY-6	19
9	A498BT1-25-7	CYLINDER HEAD COVER ASSEMBLY-7	23
10	A498BT1-25-8	OIL PUMP AND OIL PIPE ASSEMBLY-8	25
11	A498BT1-25-9	COOLING WATER PUMP AND FAN ASSEMBLY-9	29
12	TB500.11C	11-AIR CLEANER ASSEMBLY	33
13	TB500.13Z	13-COOLING SYSTEM ASSEMBLY	35
14	TB500.133A	13.3-GUARD NET INSTALLATION ASSEMBLY	37
15	TB400.201F	20.1-HAND THROTTLE ASSEMBLY	39
16	TB400.202G	20.2-FOOT THROTTLE ASSEMBLY	41
17	TB400.203D	20.3-PULL WIRE ASSEMBLY	43
18	TB550.211A	21.1-CLUTCH ASSEMBLY	45
19	TB504.212	21.2-CLUTCH CONTROL MECHANISM ASSEMBLY	47
20	TB600.22B	22-EXHAUST SYSTEM ASSEMBLY	49
21	TC02311020000-1	31.1-FRONT DRIVING AXLE ASSEMBLY	51
22	TB504.311-1	FRONT DRIVING AXLE ASSEMBLY-1	53
23	TB504.311-2	FRONT DRIVING AXLE ASSEMBLY-2	55
24	TB504.311-3	FRONT DRIVING AXLE ASSEMBLY-3	59
25	TB504.311-4	FRONT DRIVING AXLE ASSEMBLY-4	63

## 目录 CONTENTS

序号 No.	代码 Code	名称 Description	页次 Page
26	TB504.311-5	FRONT DRIVING AXLE ASSEMBLY-5	67
27	TB504.311-6	FRONT DRIVING AXLE ASSEMBLY-6	71
28	TB554.312	31.2-FRONT BRACKET ASSEMBLY	73
29	TC02311020000-2	FRONT DRIVING AXLE ASSEMBLY	75
30	TC02311020000-3	FRONT DRIVING AXLE ASSEMBLY	77
31	TC02311020000-4	FRONT DRIVING AXLE ASSEMBLY	79
32	TC02311020000-5	FRONT DRIVING AXLE ASSEMBLY	81
33	TC02311020000-6	FRONT DRIVING AXLE ASSEMBLY	83
34	FT404.32F.001	32-FRONT DRIVING WHEEL ASSEMBLY	85
35	FT400.34F.001	34-REAR DRIVE WHEEL ASSEMBLY	87
36	TB400.35	35-MAIN TRACTION MECHANISM ASSEMBLY	89
37	TB400.371B	37.1-GEARBOX HOUSING ASSEMBLY	91
38	TB400.372D-1	MAIN TRANSMISSION ASSEMBLY-1	93
39	TB400.372D-2	MAIN TRANSMISSION ASSEMBLY-2	97
40	TB450.373B	37.3-AUXILIARY GEARSHIFT ASSEMBLY	99
41	TB450.374G-1	37.4TRANSMISSION CONTROL MECHANISM ASSEMBLY-1	101
42	TB450.374G-2	37.4TRANSMISSION CONTROL MECHANISM ASSEMBLY-2	103
43	TB504.382-1	REAR AXLE CENTRAL TRANSMISSION ASSEMBLY-1	107
44	TB504.382-2	REAR AXLE CENTRAL TRANSMISSION ASSEMBLY-2	109
45	TB554.383A	38.3-DIFFERENTIAL LOCK CONTROL MECHANISM	111
46	TB554.385	38.5-SHUTTLE SHIFT MECHANISM ASSEMBLY	113
47	FT300.39.001-1	39FINAL TRANSMISSION ASSEMBLY -1	117
48	FT300.39.001-2	39FINAL TRANSMISSION ASSEMBLY -2	121
49	TB504.402B-1	FULL HYDRAULIC STEERING PIPE ASSEMBLY-1	125
50	TB504.401B	40.1-REDIRECTOR OR STEERING COLUMN ASSEMBLY	129

## 目录 CONTENTS

序号 No.	代码 Code	名称 Description	页次 Page
51	TB504.402B-2	FULL HYDRAULIC STEERING PIPE ASSEMBLY-2	131
52	TB504.402J-1	FULLY HYDRAULIC STEERING ASSEMBLY	133
53	TB504.402J-2	FULLY HYDRAULIC STEERING ASSEMBLY	137
54	TB400.411D	41.1-PTO GEAR ASSEMBLY	139
55	TB550.412A	41.2-PTO SHAFT ASSEMBLY	143
56	TB550.413D	41.3-PTO CONTROL ASSEMBLY	145
57	TB554.421C	42.1-TRANSFER CASE HOUSING ASSEMBLY	149
58	TB454.422	42.2-TRANSFER CASE TRANSMISSION ASSEMBLY	153
59	TB554.423C	42.3-TRANSFER CASE CONTROL ASSEMBLY	155
60	TB504.431	43.1-LEFT BRAKE ASSEMBLY	157
61	TB504.432	43.2-RIGHT BRAKE ASSEMBLY	159
62	TB504.433-1	BRAKE CONTROL MECHANISM ASSEMBLY-1	161
63	TB504.433-2	BRAKE CONTROL MECHANISM ASSEMBLY-2	163
64	TB400.44F	44SEAT INSTALLATION ASSEMBLY	167
65	TB600.45X-2	DRIVER' S CAB ASSEMBLY-2	169
66	TB600.45X-3	DRIVER' S CAB ASSEMBLY-3	173
67	TB600.45X-4	DRIVER' S CAB ASSEMBLY-4	177
68	TB600.45X-5	DRIVER' S CAB ASSEMBLY-5	181
69	TB600.45X-1	45CAB ASSEMBLY-1	185
70	TB550.452V-1	FLOOR ASSEMBLY-1	187
71	TB550.452V-2	FLOOR ASSEMBLY-2	189
72	TB400.457B	45.7-FRONT CONNECTING ASSEMBLY	193
73	TB400.458B	45.8-REAR CONNECTING ASSEMBLY	195
74	TB400B.471	47.1-BONNET INSTALLATION ASSEMBLY	197
75	TB400B.473	47.3-BONNET LOCKING DEVICE ASSEMBLY	199

## 目录 CONTENTS

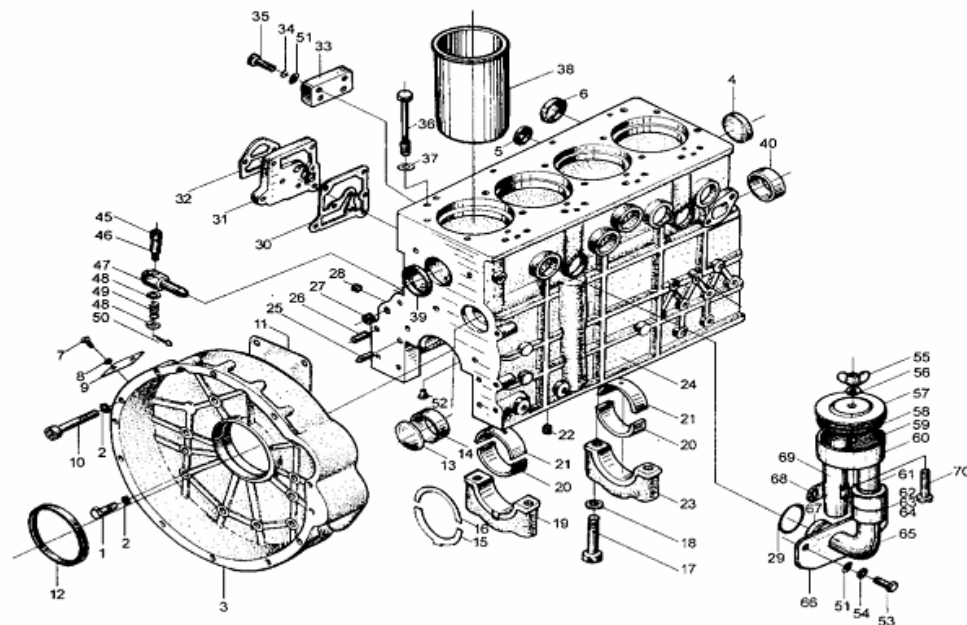
序号 No.	代码 Code	名称 Description	页次 Page
76	TB550.477E	47.7-BONNET EXTENSION PLATE ASSEMBLY	201
77	TB450.481L	48.1-ENGINE HARNESS INSTALLATION ASSEMBLY	203
78	TB450.482H	48.2-BODY HARNESS INSTALLATION ASSEMBLY	205
79	TB450.483B	48.3-FRONT LAMP HARNESS INSTALLATION ASSEMBLY	207
80	TB500.484M	48.4-REAR LAMP HARNESS INSTALLATION ASSEMBLY	209
81	TB450.485A	48.5-BATTERY INSTALLATION ASSEMBLY	211
82	TB400.487	48.7-COMBINED INSTRUMENT ASSEMBLY	213
83	TB450.489	48.9-PREHEATING EQUIPMENT ASSEMBLY	215
84	TB400.49	49-TOOL BOX ASSEMBLY	217
85	TB550.50F	50-FUEL TANK INSTALLATION assembly	219
86	TB400.53B	53-TOW EQUIPMENT ASSEMBLY	223
87	TB504.551A	55.1-LIFTER INSTALLATION ASSEMBLY	225
88	TB504.551A-1	LIFTER INSTALLATION ASSEMBLY-7-1	227
89	TB504.552C	55.2-LIFTER CONTROL MECHANISM ASSEMBLY	231
90	TB504.551A-2	LIFTER INSTALLATION ASSEMBLY-7-2	235
91	TB504.551A-3	LIFTER INSTALLATION ASSEMBLY-7-3	237
92	TB504.551A-4	LIFTER INSTALLATION ASSEMBLY-4	241
93	TB504.551A-5	LIFTER INSTALLATION ASSEMBLY-5	243
94	TB504.551A-6	LIFT ASSEMBLY-6	247
95	TB504.551A-7	LIFT ASSEMBLY-7	249
96	FT500A.56B.001-1	SUSPENSION MECHANISM ASSEMBLY-1	253
97	FT500A.56B.001-2	SUSPENSION MECHANISM ASSEMBLY-2	257
98	TB400.581C	58.1-OIL PUMP/PIPE/FILTER ASSEMBLY	259
99	TB504.582C	58.2-MULTI-WAY VALVE CONTROL MECHANISM	263
100	TB504.582C-1	MULTI-WAY VALVE CONTROL MECHANISM ASSEMBLY-1	265

## 目录 CONTENTS

序号 No.	代码 Code	名称 Description	页次 Page
101	TB504.582C-2	MULTI-WAY VALVE CONTROL MECHANISM ASSEMBLY-2	267
102	TB504.582C-3	MULTI-WAY VALVE CONTROL MECHANISM ASSEMBLY-3	269
103	TB300.583A	58.3-SINGLE-WAY HYDRAULIC OUTPUT ASSEMBLY 2	273
104	TA600.62ZC	62-SAFETY BELT	275
105	TB404.74A	74-FRONT BALLAST ASSEMBLY	277
106	TB400.74B	74-FRONT BALLAST BRACKET ASSEMBLY	279
107	TB400.80	80-PNEUMATIC BRAKE INSTALLATION ASSEMBLY	281
108	TB400.811	81.1-EVAPORATOR INSTALLATION ASSEMBLY	285
109	TB400.812	81.2-CONDENSER INSTALLATION ASSEMBLY	289
110	TB400.91	91-REAR BALLAST ASSEMBLY	293
111	TB504.384	REAR AXLE HOUSING ASSEMBLY	295



机体总成及附件 Body assembly and accessory

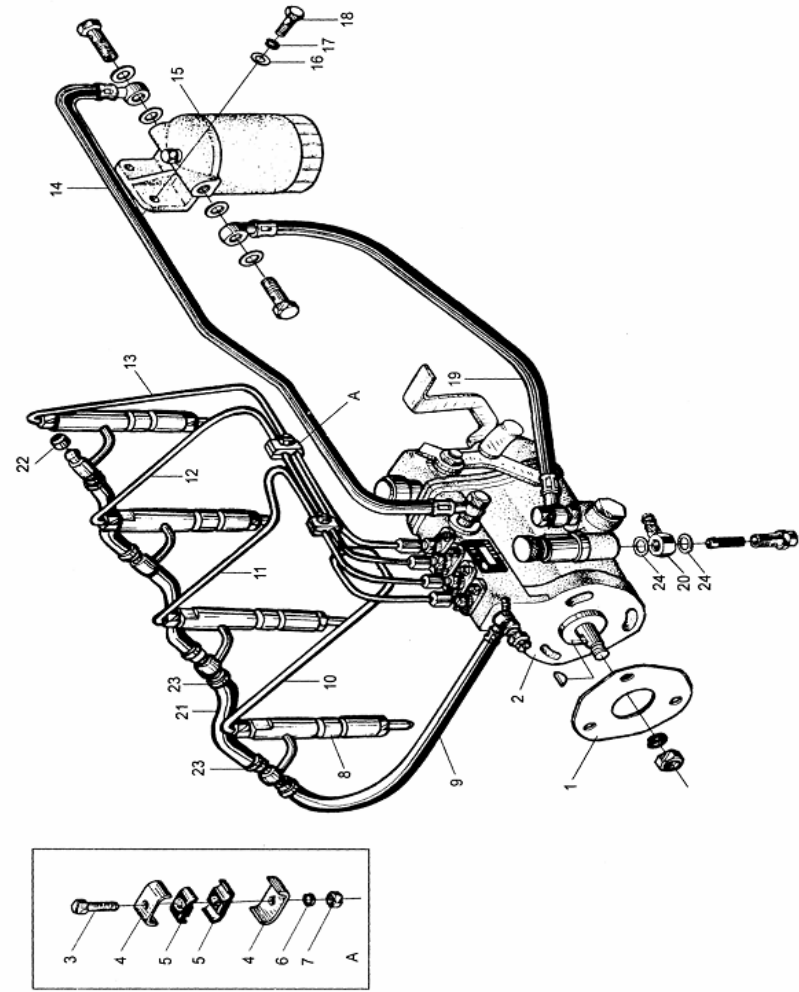




## A498BT1-25-1 10.1-机体总成及附件-1 BODY ASSEMBLY AND ACCESSORY-1

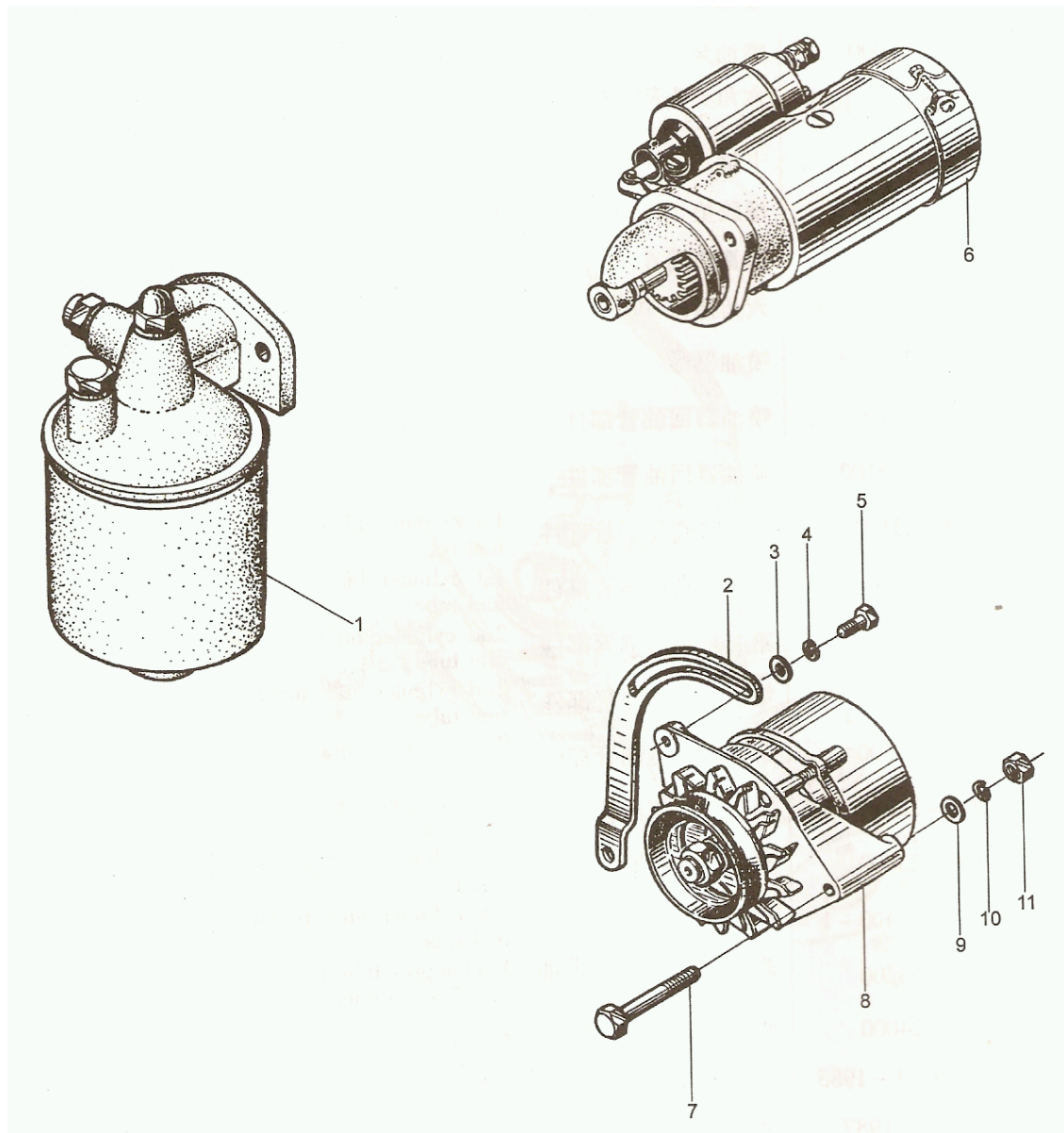
标号 No.	代号 Code	名称 Description	数量 Quantity	备注 Remark
1	GBT5783-M12X32	BOLT	4	2011-11_
1	GBT5783-M12X32	BOLT	4	2011-11_
10	GBT70-M12X90	SCREW	2	2011-11_
11	490BT-13004	FLYWHEEL HOUSING GASKET	1	2011-11_
12	100X125X12	OIL SEAL	1	2011-11_
13	490B-01009	PLUG 58	1	2011-11_
2	GBT93-12	WASHER	8	2011-11_
3	490BT-13001	Flywheel Housing	1	2011-11_
4	495B-01047	BOWL SHIM 50	1	2011-11_
5	490B-03017		3	2011-11_
6	490B-01079	BOWL SHIM 40	10	2011-11_
7	GBT67-M6X10	SLOTTED PAN HEAD SCREW	2	2011-11_
8	GBT93-6	WASHER	2	2011-11_
9	490B-13003	INSPECTION HOLE COVER PLATE	1	2011-11_

A490BT、C490BT 燃油供油系统 Fuel supply system assembly



## A498BT1-25-10 10.10-燃油供油系统-10 FUEL SUPPLY SYSTEM ASSEMBLY-10

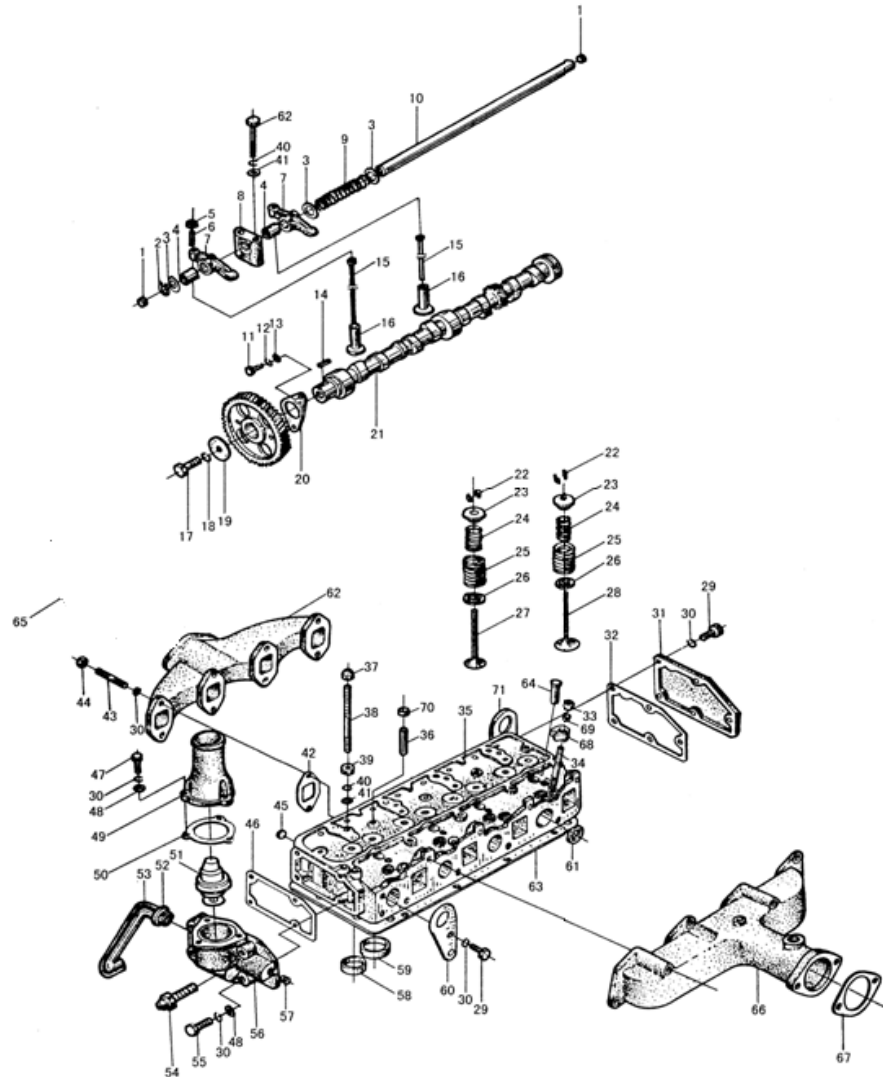
标号 No.	代号 Code	名称 Description	数量 Quantity	备注 Remark
1	490B-16011-1	OIL INJECTION PUMP FLANGE GASKET	1	2011-11_
10	A490B-23100	1ST CYLINDER HIGHT-PRESSURE OIL PIPE ASSEMBLY	1	2011-11_
11	A490B-23200	2ST CYLINDER HIGHT-PRESSURE OIL PIPE ASSEMBLY	1	2011-11_
12	A490B-23300	LINE AS.-FUEL INJECTION	1	2011-11_
13	A490B-23400	4ST CYLINDER HIGHT-PRESSURE OIL PIPE ASSEMBLY	1	2011-11_
14	490B-25200	FUEL SUPPLY TUBE FROM FUEL FILTER TO INJECTION PUMP	1	2011-11_
15	490B-24000A	FUEL FILTER ASSEMBLY	1	2011-11_
16	GBT97.1-8	WASHER	2	2011-11_
17	GBT93-8	WASHER 8	2	2011-11_
18	GBT5783-M8X30	BOLT	2	2011-11_
19	490B-25300	FUEL SUPPLY TUBE FROM SUPPLY PUMP TO FUEL FILTER	1	2011-11_
2	B253D-1	OIL INJECTION PUMP	1	2011-11_
21	498B-25002	OIL INJECTOR RETURN RUBBER PIPE	3	2011-11_
22	498B-25001	OIL INJECTOR RETURN CAP	1	2011-11_
23	498B-25004	Clip	10	2011-11_
24	A490B-22001	COPPER WASHER	4	2011-11_
25	DZXH12B-12V	ELECTRONIC FLAME	1	2011-11_
3	GBT29.1-M6X25	HEXAGON BOLT	3	2011-11_
4	490B-23501	CLAMP HOOP	6	2011-11_
5	490B-23502	RUBBER PAD	6	2011-11_
6	GBT93-6	WASHER	3	2011-11_
7	GBT6172-M6	NUT	3	2011-11_
9	C490BT-25400-3	OIL INJECTOR RETURN PIPE PARTS	1	2011-11_



A498BT1-25-11 10.11-机油滤清器总成起动电机及充电发电机总成-11 OIL FILTER、STARTING AND GENERATOR ASSEMBLY -11

标号 No.	代号 Code	名称 Description	数量 Quantity	备注 Remark
0	JX85100C	ROLLING WHEEL	1	2011-11_
1	490B-32000B	OIL FILTER ASSEMBLY	1	2011-11_
10	GBT93-10	WASHER 10	1	2011-11_
11	GBT6170-10	NUT	1	2011-11_
12	490BT-53005	COVER	1	2011-11_
2	495BT-53001-1	GENERATOR BRACKET	1	2011-11_
3	GBT97.1-8	WASHER	1	2011-11_
4	GBT97.1-8	WASHER	1	2011-11_
5	GBT5783-M8X25	BOLT	1	2011-11_
6	QDJ1409	Motor Starter	1	2011-11_
8	JFW17P-1	GENERATOR	1	2011-11_
9	GBT97.1-10	WASHER 10	1	2011-11_

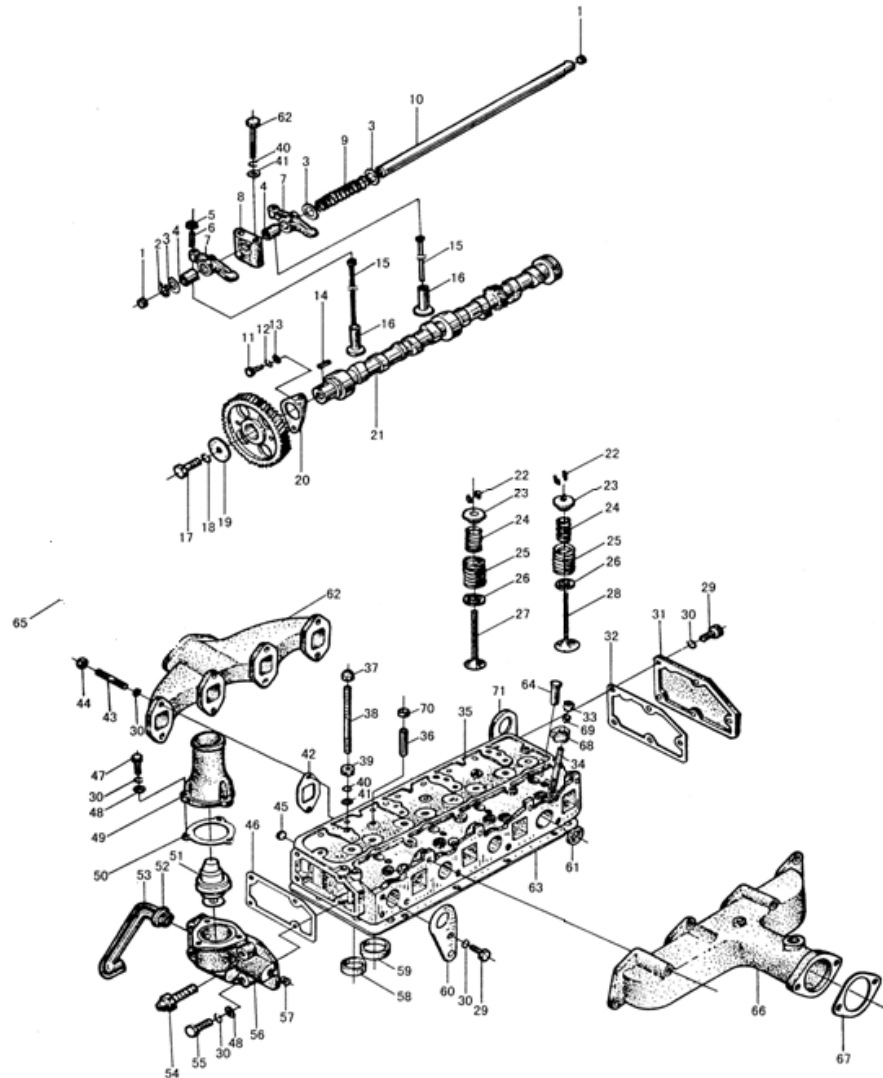
气缸盖及配气机构  
Cylinder head and gas exchanging system assembly



## A498BT1-25-2 10.2-气缸盖及配气机构 CYLINDER HEAD AND GAS EXCHANGING SYSTEM ASSEMBLY-2

标号 No.	代号 Code	名称 Description	数量 Quantity	备注 Remark
0	490B-03200	VALVE ROCKER SHAFT ASSEMBLY	1	2011-11_
1	490B-03018	PLUG PIECE	2	2011-11_
10	490B-03204	VALVE ROCKER SHAFT	1	2011-11_
13	GBT97.1-8	WASHER	2	2011-11_
14	GBT1096-C8X22	FLAT KEY	1	2011-11_
15	495B-06003	VALVE PUSH ROD	8	2011-11_
15	495B-06003	VALVE PUSH ROD	8	2011-11_
16	490B-06002	VALVE TAPPET	8	2011-11_
17	GBT5782-M12X45	BOLT	1	2011-11_
18	GBT93-12	WASHER	1	2011-11_
19	490B-02011	CAMSHAFT TIMING GEAR PRESSURE PLATE	1	2011-11_
2	GBT894.1-20	BLCKING RING	2	2011-11_
20	490B-02008	CAMSHAFT THRUST PLATE	1	2011-11_
22	490B-03006	LOCK	16	2011-11_
23	490B-03007	VALVE SPRING UPPER SEAT	8	2011-11_
24	490B-03005	INNER VALVE SPRING	8	2011-11_
25	490B-03004	OUTER VALVE SPING	8	2011-11_
26	490B-03011	VALVE SPRING LOWER SEAT	8	2011-11_
27	495B-03015	EXHAUST VALVE	4	2011-11_
28	A498B-03014	AIR INLET VALVE	4	2011-11_
3	GBT848-20	WASHER	8	2011-11_
30	GBT93-8	WASHER 8	17	2011-11_
31	490B-03012	REAR END COVER	1	2011-11_
32	490B-03013A	REAR END COVER GASKET	1	2011-11_
34	A490BZL-03017	BOLT	4	2011-11_

气缸盖及配气机构  
Cylinder head and gas exchanging system assembly

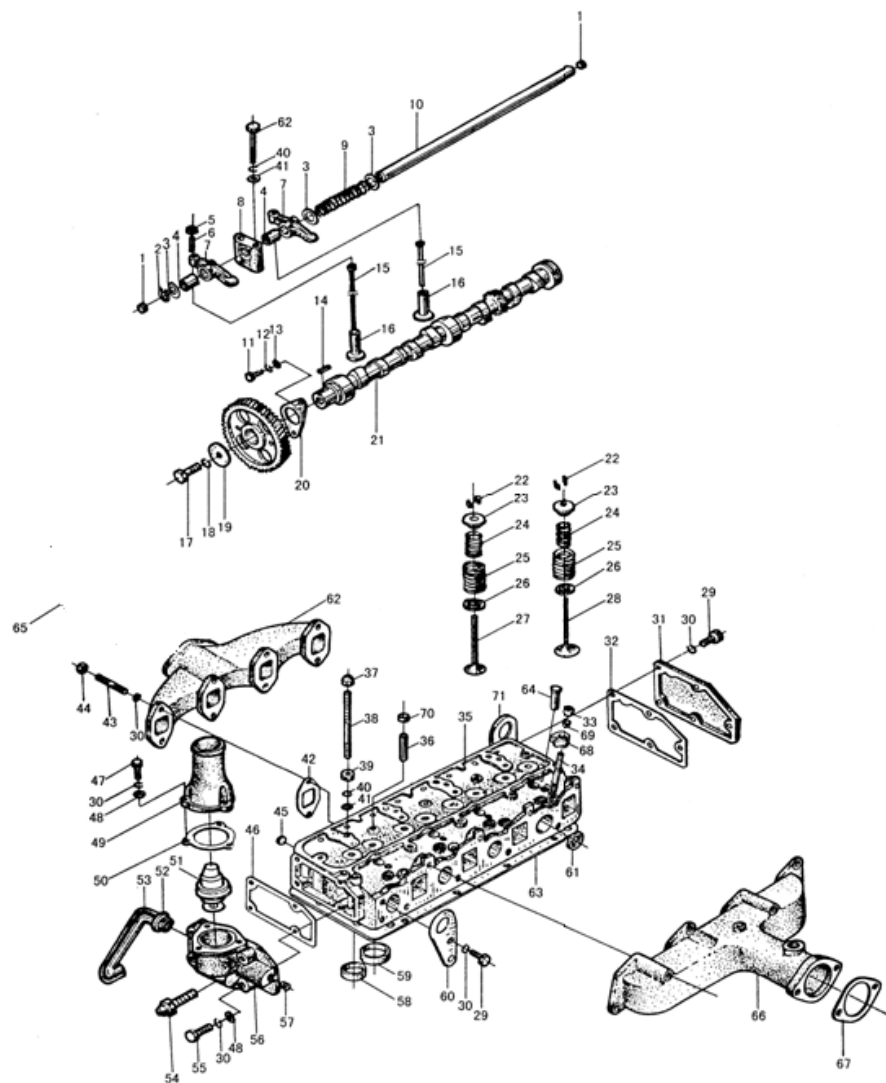




## A498BT1-25-2 10.2-气缸盖及配气机构(续)

标号 No.	代号 Code	名称 Description	数量 Quantity	备注 Remark
35	A498B-03101-1	CYLINDER COVER	1	2011-11_
36	490B-03102	VALVE STEM GUIDE	8	2011-11_
38	490B-03001A	VALVE ROCKER SEAT STUD	4	2011-11_
4	490B-03212A	VALVE ROCKER BUSH	8	2011-11_
42	495B-03003	EXHAUST PIPE GASKET	4	2011-11_
45	490B-03103	PLUG	1	2011-11_
46	490B-43005	THERMOSTAT HOUSING GASKET	1	2011-11_
47	GBT5783-M8X25	BOLT	3	2011-11_
48	GBT97.1-8	WASHER	7	2011-11_
49	490BT-43001	THERMOSTAT COVER	1	2011-11_
5	GBT6171-M8X1	NUT	8	2011-11_
5	GBT6171-M8X1	NUT	8	2011-11_
50	490B-43003	THERMOSTAT COVER GASKET	1	2011-11_
51	490B-43002	THERMOSTAT	1	2011-11_
52	490B-01074	CONNECTING TUBE	1	2011-11_
53	490BT-43007	WATER PIPE	1	2011-11_
55	GBT5782-M8X35	BOLT	4	2011-11_
56	490B-43101-2	THERMOSTAT HOUSING	1	2011-11_
57	490B-43008	SCREW PLUG	1	2011-11_
58	495B-03108	INSERT-VALVE SEAT(OUTLET)	4	2011-11_
59	A498B-03107	AIR INLET VALVE SEAT	4	2011-11_
6	490B-03201	VALVE CLEARANCE ADJUSTING SCREW	8	2011-11_
60	490BT-03300	FIXING BRACKET	1	2011-11_
61	490B-01078	PLUG 30	1	2011-11_
62	490BT-08001-2	EXHAUST PIPE	1	2011-11_

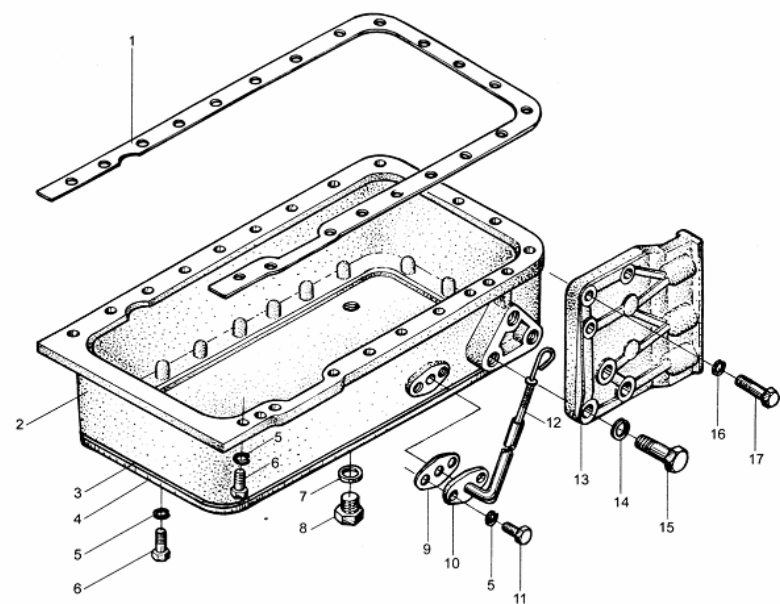
气缸盖及配气机构  
Cylinder head and gas exchanging system assembly



## A498BT1-25-2 10.2-气缸盖及配气机构(续)

标号 No.	代号 Code	名称 Description	数量 Quantity	备注 Remark
63	A498B-01004	CYLINDER HEAD BUSH	1	2011-11_
63	A498B-01004	CYLINDER HEAD BUSH	1	2011-11_
64	A490B-03109	SLEEVE TUBE	4	2011-11_
66	490B-09001	AIR INLET PIPE GASKET	1	2011-11_
66	490BT-09003-3	AIR INLET CONNECTING PIPE	1	2011-11_
66	490BT-09002-5	AIR INLET PIPE	1	2011-11_
67	490B-09004	AIR INLET PIPE PAPER GASKET	1	2011-11_
67	490B-09004	AIR INLET PIPE PAPER GASKET	1	2011-11_
68	A490B-03016A	OIL INJECTOR PRESSURE PLATE	4	2011-11_
69	GBT849-M10	BALL WASHER	4	2011-11_
7	490B-03211A	VALVE ROCKER	8	2011-11_
70	A490BZL-03016	VALVE SEAL	8	2011-11_
71	490B-03009A	BRACKET,LIFTING	1	2011-11_
72	A490B-55001	PREHEATING PLUG	4	2011-11_
8	490B-03202	SEAT	4	2011-11_
9	490B-03203	SPRING	3	2011-11_

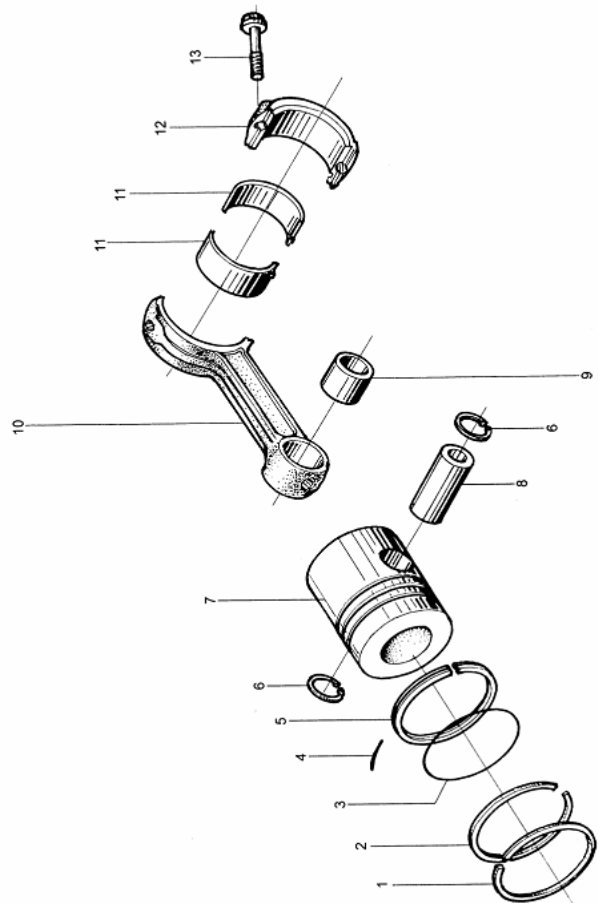
油底壳总成 Oil sump assembly



## A498BT1-25-3 10.3-油底壳-3 OIL SUMP ASSEMBLY-3

标号 No.	代号 Code	名称 Description	数量 Quantity	备注 Remark
1	490BT-07002A	OIL SUMP GASKET	11	2011-11_
10	490BT-07300	OIL DIPSTICK PIPE	1	2011-11_
11	GBT5783-M8X20	BOLT	2	2011-11_
11	GBT5783-M8X20	BOLT	2	2011-11_
12	490B-07200	OIL DIPSTICK	1	2011-11_
13	495BT-15001L	ENGINE FRONT BRACKET	2	2011-11_
13	495BT-15001R	ENGINE FRONT BRACKET	1	2011-11_
14	GBT93-18	WASHER	4	2011-11_
15	490BT-07800	SIDE BRACKET BOLT	4	2011-11_
16	GBT93-10	WASHER 10	6	2011-11_
17	GBT5782-M10X45	BOLT	6	2011-11_
2	495BT-07106A	OIL SUMP	1	2011-11_
2	495BT-07106A	OIL SUMP	1	2011-11_
3	490BT-07004	OIL SUMP GASKET	1	2011-11_
4	490BT-07003	OIL SUMP BOTTOM PLATE	1	2011-11_
5	GBT93-8	WASHER 8	41	2011-11_
6	GBT5783-M8X25	BOLT	39	2011-11_
7	JB982-1977	COMBINED SEAL GASKET	1	2011-11_
8	JB2343-M20X1.5	HEXAGON MAGNETISM PLUG	1	2011-11_
9	490BT-07303	GASKET	1	2011-11_

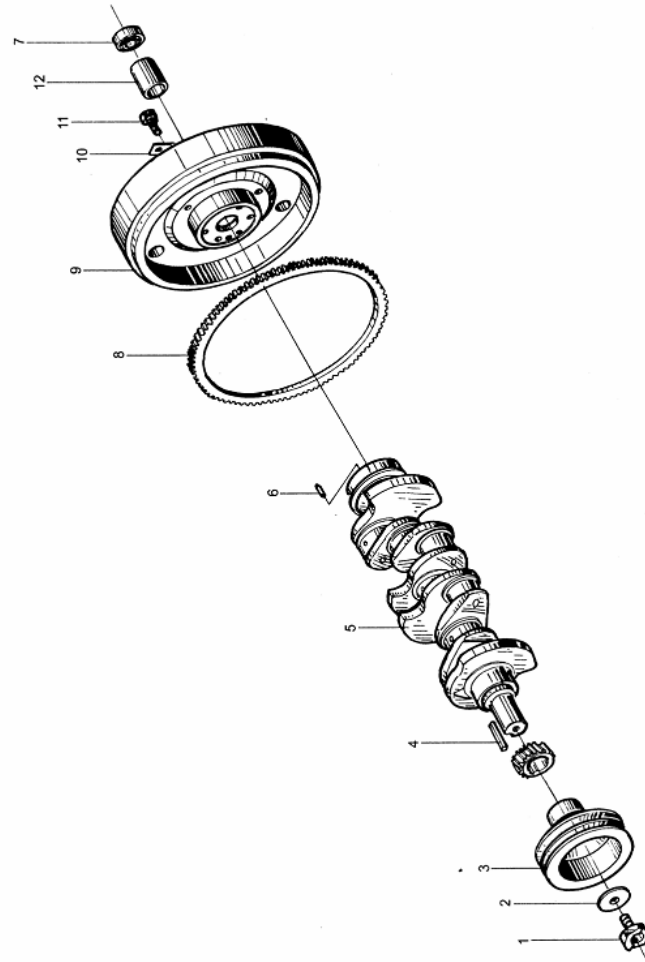
活塞连杆总成 Piston connecting rod assembly



## A498BT1-25-4 10.4-活塞连杆总成-4 PISTON CONNECTING ROD ASSEMBLY-4

标号 No.	代号 Code	名称 Description	数量 Quantity	备注 Remark
10	A498B-04200	CONNECTING ROD ASSEMBLY	4	2011-11_
11	495B-04005-1A	CONNECTING ROD BEARING	4	2011-11_
6	GBT893.1-34	SNAP RING	8	2011-11_
7	A498B-04001-1A	PISTON	4	2011-11_
8	A498B-04004A	GUDGEON	4	2011-11_

曲轴飞轮总成 Crankshaft flywheel assembly

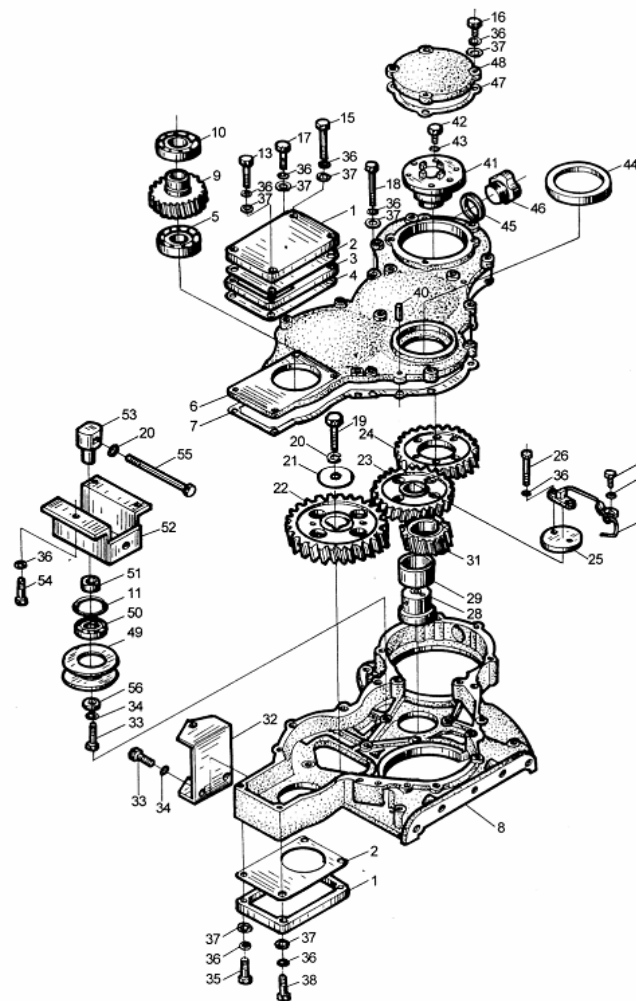




## A498BT1-25-5 10.5-曲轴飞轮总成-5 CRANKSHAFT FLYWHEEL ASSEMBLY-5

标号 No.	代号 Code	名称 Description	数量 Quantity	备注 Remark
1	490B-05008	BOLT	1	2011-11_
10	490B-05001	FLYWHEEL BOLT SAFETY PIECE	3	2011-11_
11	490BT-05002C	FLYWHEEL BOLT	6	2011-11_
12	490BT-05120C	FLYWHEEL BEARING RETAINER RING	1	2011-11_
3	490BT-05006-1	CRANKSHAFT V-BELT	1	2011-11_
4	GBT1096-A12X63	FLAT KEY	1	2011-11_
5	495B-05004A	CRANK SHAFT	1	2011-11_
6	GBT119.2-B10X24	PIN	1	2011-11_
7	GBT278-6204-2Z	BEARING	1	2011-11_
8	490BT-05100-2	FLYWHEEL RING GEAR ASSEMBLY	1	2011-11_
8	490B-05102	GEAR RING OF FLYWHEEL	1	2011-11_
9	490BT-05101-2	FLYWHEEL	1	2011-11_

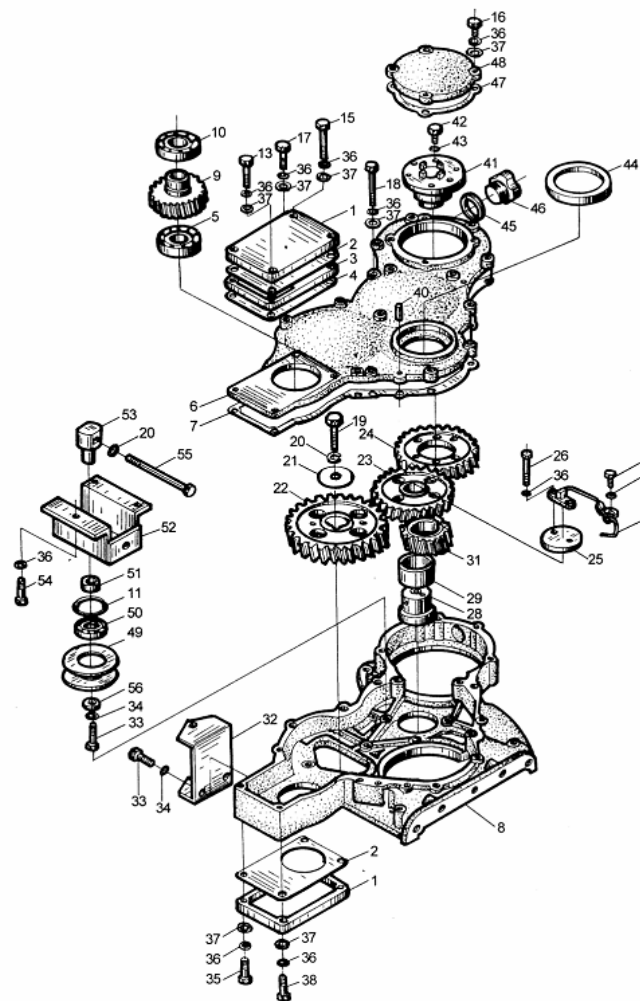
正时齿轮传动系总成 Timing gear train assembly



## A498BT1-25-6 10.6-正时齿轮传动系总成-6 TIMING GEAR TRAIN ASSEMBLY-6

标号 No.	代号 Code	名称 Description	数量 Quantity	备注 Remark
1	490BT-16014	HYDRAULIC PUMP END	2	2011-11_
10	GBT292-7206AC	BEARING	1	2011-11_
13	GBT5782-M8X65	BOLT	2	2011-11_
15	GBT5782-M8X40	BOLT	2	2011-11_
16	GBT5782-M8X25	BOLT	8	2011-11_
17	GBT5783-M8X30	BOLT	8	2011-11_
18	GBT5782-M8X70	BOLT	1	2011-11_
19	GBT5782-M12X45	BOLT	2	2011-11_
2	490BT-16013-1	HYDRAULIC PUMP END CAP GASKET	2	2011-11_
20	GBT93-12	WASHER	1	2011-11_
21	490B-02011	CAMSHAFT TIMING GEAR PRESSURE PLATE	1	2011-11_
22	490BT-02009	CAMSHAFT TIMING GEAR	1	2011-11_
23	490BT-02006	TIMING LAZY GEAR	1	2011-11_
24	490B-02003	OIL INJECTION PUMP TIMING GEAR	1	2011-11_
25	490B-02012	IDLE GEAR SHAFT PRESS PLATE	1	2011-11_
26	GBT5782-M8X60	BOLT	3	2011-11_
27	490BT-02100	INJECTION PIPE	1	2011-11_
28	490B-02004	TIMING IDLE GEAR SHAFT	1	2011-11_
29	490B-02005	TIMING IDLE GEAR BUSH	1	2011-11_
3	490BT-16021	FRONT HYDRAULIC PUMP GUSSET PLATE	1	2011-11_
30	GBT5783-M8X16	BOLT	1	2011-11_
31	490BT-02007	CRANKSHAFT TIMING GEAR	1	2011-11_
32	490BT-53002-1	GENERATOR BRACKET	1	2011-11_
33	GBT5783-M10X25	BOLT	3	2011-11_
34	GBT93-10	WASHER 10	4	2011-11_

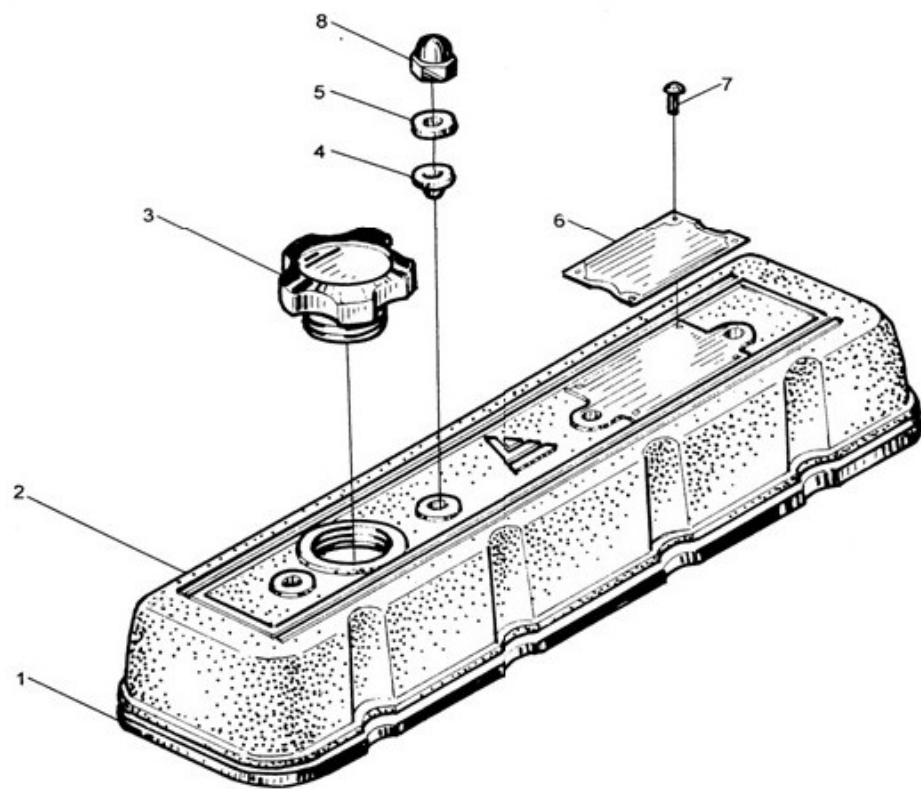
正时齿轮传动系总成 Timing gear train assembly



## A498BT1-25-6 10.6-正时齿轮传动系总成-6(续)

标号 No.	代号 Code	名称 Description	数量 Quantity	备注 Remark
35	GBT5782-M8X55	BOLT	4	2011-11_
36	GBT93-8	WASHER 8	34	2011-11_
38	GBT5783-M8X30	BOLT	1	2011-11_
4	490BT-16017	FRONT HYDRAULIC PUMP CONNECTING PLATE GASKET	1	2011-11_
4	490BT-16017	FRONT HYDRAULIC PUMP CONNECTING PLATE GASKET	1	2011-11_
41	490BT-02015	BUSHING	1	2011-11_
42	GBT5783-M6X16	BOLT	6	2011-11_
43	GBT93-6	WASHER	6	2011-11_
44	60X80X12	OIL SEAL	1	2011-11_
45	495BT-16102	WASHER	1	2011-11_
46	495BT-16101	CAP	1	2011-11_
47	490BT-16005	GASKET	1	2011-11_
48	490BT-16016	AIR COMPRESSOR COVER PLATE	1	2011-11_
49	490BT-16200	IDLER WHEEL ASSEMBLY	1	2011-11_
5	GBT1276-6206	BEARING	1	2011-11_
6	490BT-16001-1	TIMING GEAR COVER	1	2011-11_
7	490BT-16002-1	TIMING GEAR HOUSING COVER GASKET	1	2011-11_
8	490BT-16003-1	TIMING CASE	1	2011-11_
9	490BT-02010-1	HYDRAULIC PUMP GEAR	1	2011-11_

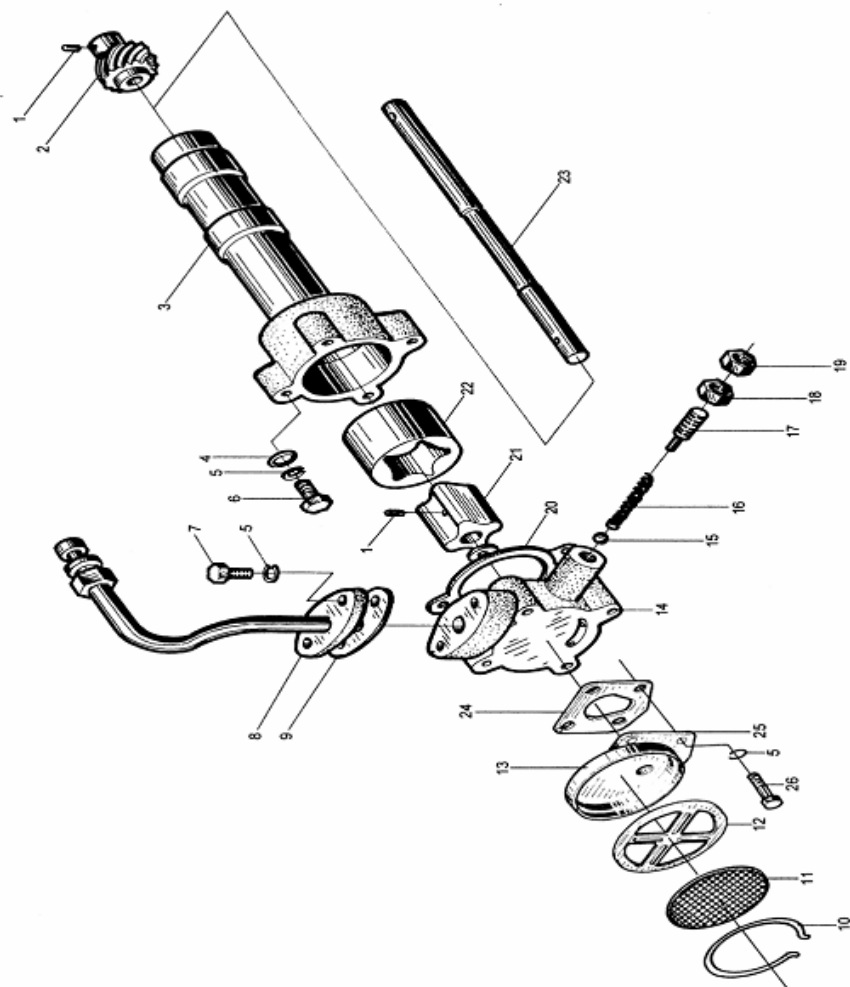
气缸盖罩总成 Cylinder head cover assembly



## A498BT1-25-7 10.7-气缸盖罩总成 CYLINDER HEAD COVER ASSEMBLY-7

标号 No.	代号 Code	名称 Description	数量 Quantity	备注 Remark
1	A498B-11002	CYLINDER COVER RUBBER MAT	1	2011-11_
2	A498B-11001	CYLINDER HEAD COVER	1	2011-11_
3	490B-11200B	FILLING CAP COVER	1	2011-11_
4	A498B-11003	RUBBER ISOLATION BUSH	4	2011-11_
5	A498B-11004	WASHER	4	2011-11_
6	A498B-E-Mark	NAMEPLATE	1	2011-11_
7	GBT827-1986	RIVET 2X5	4	2011-11_
8	GBT923-M8	NUT	4	2011-11_

机油泵、机油管路总成 Oil pump and oil pipe assembly

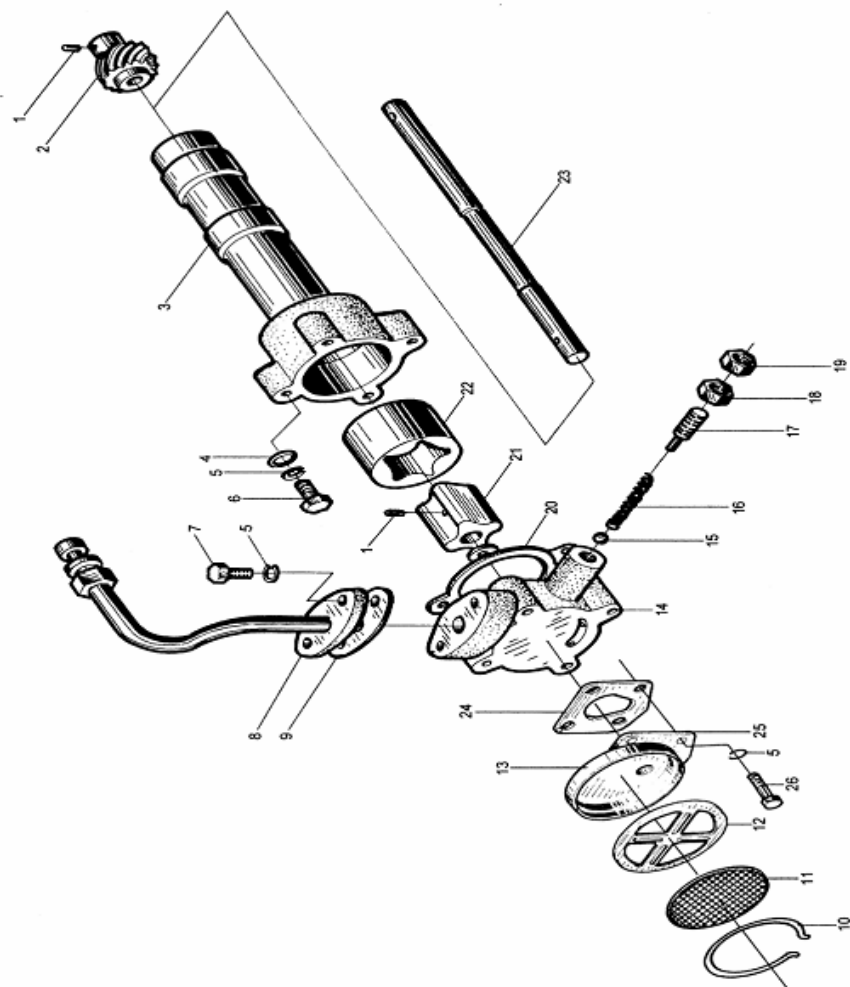




## A498BT1-25-8 10.8-机油泵机油管路总成-8 OIL PUMP AND OIL PIPE ASSEMBLY-8

标号 No.	代号 Code	名称 Description	数量 Quantity	备注 Remark
1	495B-31203	PIN	2	2011-11_
10	490B-31104	SNAP RING	1	2011-11_
11	490B-31112	SCREEN	1	2011-11_
12	490B-31111	FILTER SCREEN FRAME	1	2011-11_
13	490B-31103	FILTER COVER	1	2011-11_
14	495B-31005A	OIL PUMP COVER	1	2011-11_
15	GBT308-10	BALL	1	2011-11_
16	495B-31003	PRESSURE LIMITING VALVE SPRING	1	2011-11_
17	495B-31002	SCREW	1	2011-11_
18	GBT6171-M14X1.5	NUT	1	2011-11_
19	GBT6173-M14X1.5	NUT	1	2011-11_
2	495B-31001	OIL PUMP DRIVING GEAR	1	2011-11_
20	495B-31007	OIL PUMP COVER GASKET	1	2011-11_
21	495B-31202A	INNER ROTOR	1	2011-11_
22	495B-31008A	OUTER ROTOR	1	2011-11_
23	495B-31201	OIL PUMP SHAFT	1	2011-11_
24	495B-31006	OIL FILTER GASKET	1	2011-11_
25	495B-31101	FILTER FLANGE	1	2011-11_
26	GBT5782-M8X45	BOLT	4	2011-11_
3	495B-31004A	OIL PUMP HOUSING	1	2011-11_
4	GBT97.1-8	WASHER	5	2011-11_
5	GBT93-8	WASHER 8	7	2011-11_
6	GBT5783-M8X30	BOLT	4	2011-11_
7	GBT5783-M8X20	BOLT	2	2011-11_
7	GBT5783-M8X20	BOLT	2	2011-11_

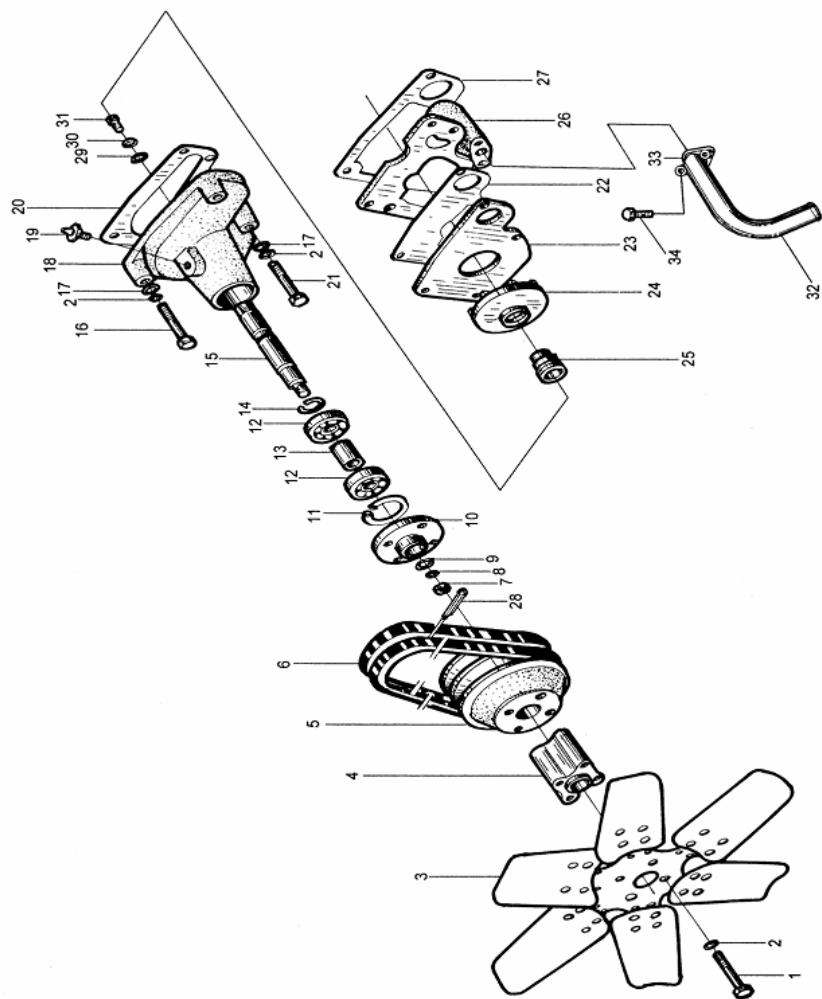
机油泵、机油管路总成 Oil pump and oil pipe assembly



## A498BT1-25-8 10.8-机油泵机油管路总成-8(续)

标号 No.	代号 Code	名称 Description	数量 Quantity	备注 Remark
8	495B-33000	OIL PIPELINE ASSEMBLY	1	2011-11_
9	490B-33005	WASHER	1	2011-11_

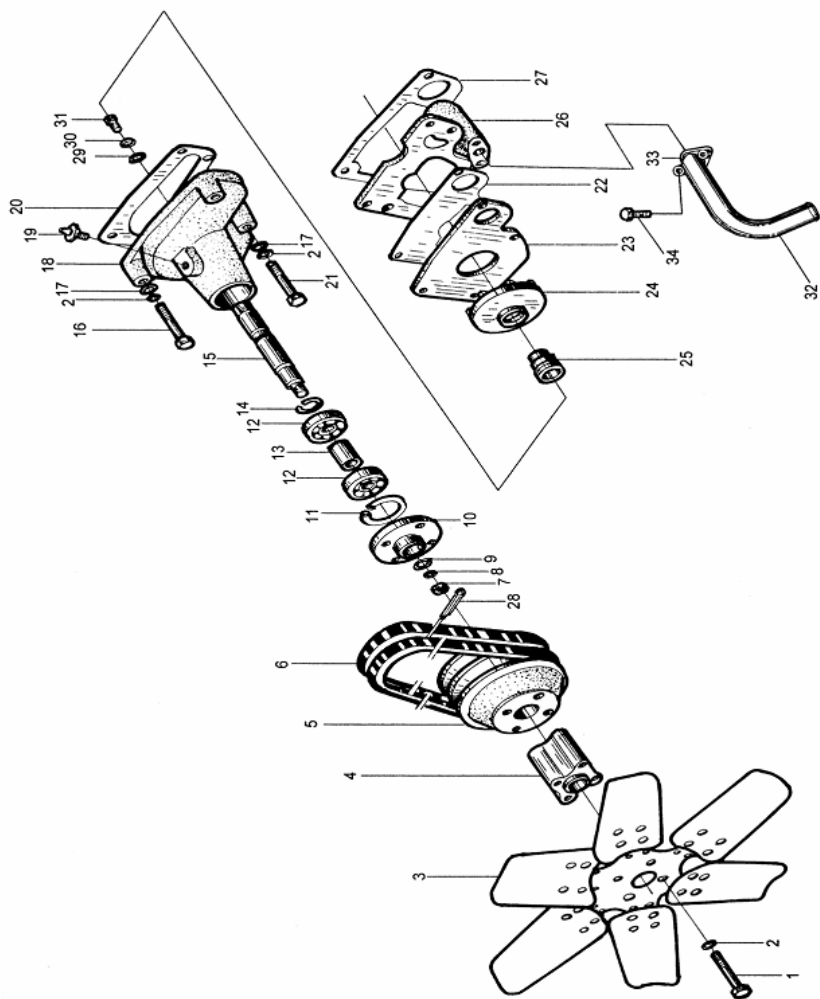
冷却水泵、风扇部件 Cooling water pump and fan assembly



## A498BT1-25-9 10.9-冷却水泵风扇部件-9 COOLING WATER PUMP AND FAN ASSEMBLY-9

标号 No.	代号 Code	名称 Description	数量 Quantity	备注 Remark
0	495B-42000	WATER PUMP ASSEMBLY	1	2011-11_
1	GBT5782-M8X45	BOLT	4	2011-11_
10	495B-42001	FAN BELT PULLEY HUB	1	2011-11_
11	GBT893.1-40	RETAINER RING	1	2011-11_
12	GBT287-6203	BEARING	2	2011-11_
13	495B-42003	BEARING SPACER RING	1	2011-11_
15	495B-42002	WATER PUMP SHAFT	1	2011-11_
16	GBT5782-M8X70	BOLT	1	2011-11_
17	GBT96-8	WASHER	1	2011-11_
17	GBT96-8	WASHER	1	2011-11_
18	495B-42004	WATER PUMP HOUSING	1	2011-11_
19	GBT1152-1989	OIL CUP	1	2011-11_
2	GBT93-8	WASHER 8	4	2011-11_
20	495B-42005	WATER PUMP HOUSING LINER	1	2011-11_
21	GBT5782-M8X55	BOLT	3	2011-11_
22	490BT-42011	WATER PUMP GASKET	1	2011-11_
23	490BT-42006	BACK PLATE	1	2011-11_
24	495B-42008	WATER PUMP GEAR	1	2011-11_
25	JBT5086-1991	WATER SEAL	1	2011-11_
26	490BT-42010-1A	WATER PUMP CONNECTOR	1	2011-11_
27	490BT-42011-1A	GASKET	1	2011-11_
29	495B-42011	WASHER Q235-AF	1	2011-11_
3	Z420-28-52-7	FAN	1	2011-11_
3	Z420-28-52-7	FAN	1	2011-11_
30	GBT93-8	WASHER 8	1	2011-11_

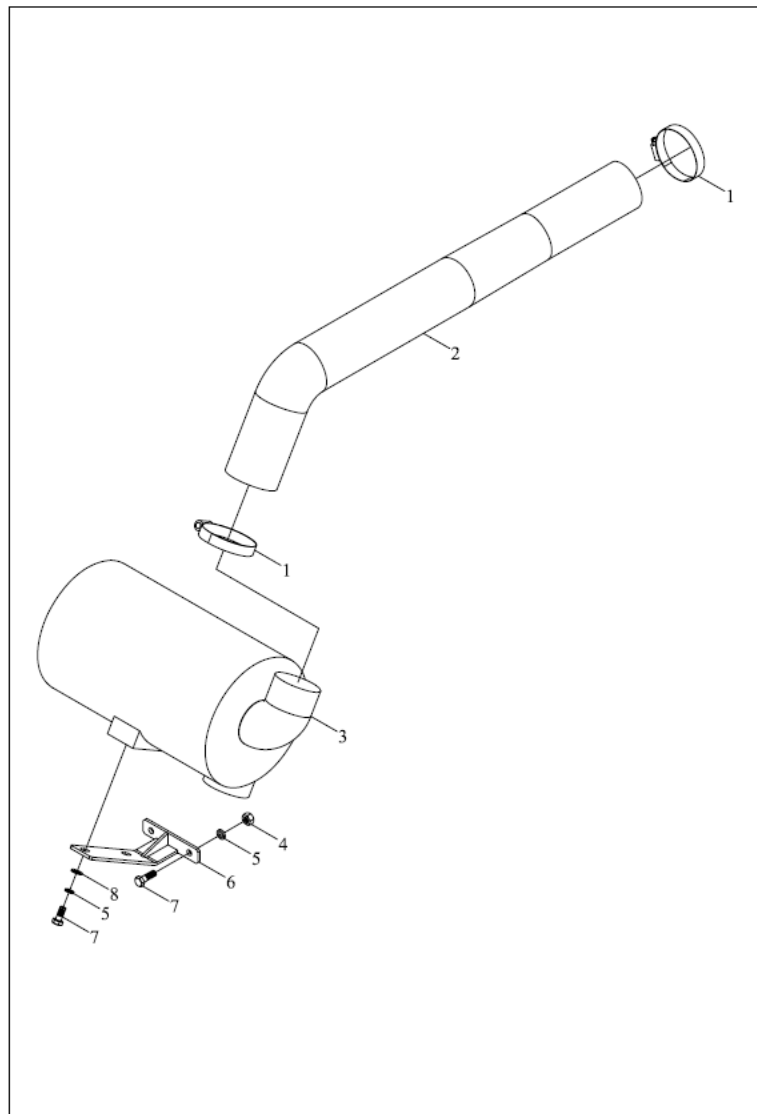
冷却水泵、风扇部件 Cooling water pump and fan assembly



## A498BT1-25-9 10.9-冷却水泵风扇部件-9(续)

标号 No.	代号 Code	名称 Description	数量 Quantity	备注 Remark
31	GBT5783-M8X16	BOLT	1	2011-11_
32	490BT-01011-3	WATER INLET PIPE	1	2011-11_
33	490BT-01012	WATER INLET PIPE GASKET	1	2011-11_
35	490B-01100-2	DRAIN SWITCH	1	2011-11_
4	490B-41003-4	FAN GASKET	1	2011-11_
4	490B-41003-1	FAN GASKET	1	2011-11_
5	490BT-41002-1	FAN BELT PULLEY	1	2011-11_
6	AV15X670Le	BELT	1	2011-11_
6	AV15X670Le	BELT	1	2011-11_
6	AV15X950Le	BELT	1	2011-11_
7	GBT6178-M10	NUT (PAGE81)	1	2011-11_
8	GBT93-10	WASHER 10	1	2011-11_

TB500.11C 空气滤清系总成

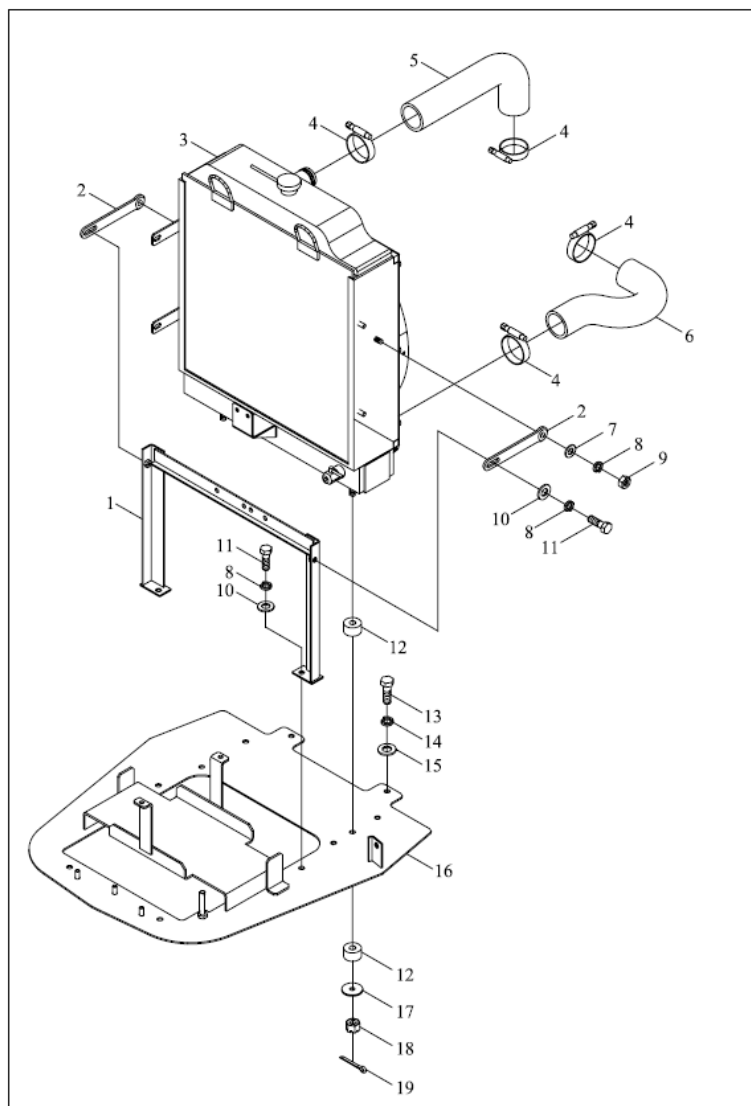




## TB500.11C 11-空气滤清系总成 11-AIR CLEANER ASSEMBLY

标号 No.	代号 Code	名称 Description	数量 Quantity	备注 Remark
1	Q67676	Clip	2	2011-11_
2	TB500.11C-01	AIR INLET HOSE	1	2011-11_
3	TB400.11.1	AIR FILTER ASSEMBLY	1	2011-11_
3.1	TB400.11.1-05	AIR FILTER CORE	1	2011-11_
3.1	TB400.11.1-05	AIR FILTER CORE	1	2011-11_
4	GBT6170-M8-8-A2L	I-TYPE HEXAGON NUT	2	2011-11_
5	GBT93-8-A0P	WASHER	4	2011-11_
6	TB500.11C.1	AIR FILTER ASSEMBLY BRACKET	1	2011-11_
7	GBT5783-M8X20-8.8-A2L	BOLT	4	2011-11_
8	GBT97.1-8-A0P	WASHER	2	2011-11_
9	TD900.11A-01	AIR FILTER MAINTENANCE INDICATOR	1	2011-01_

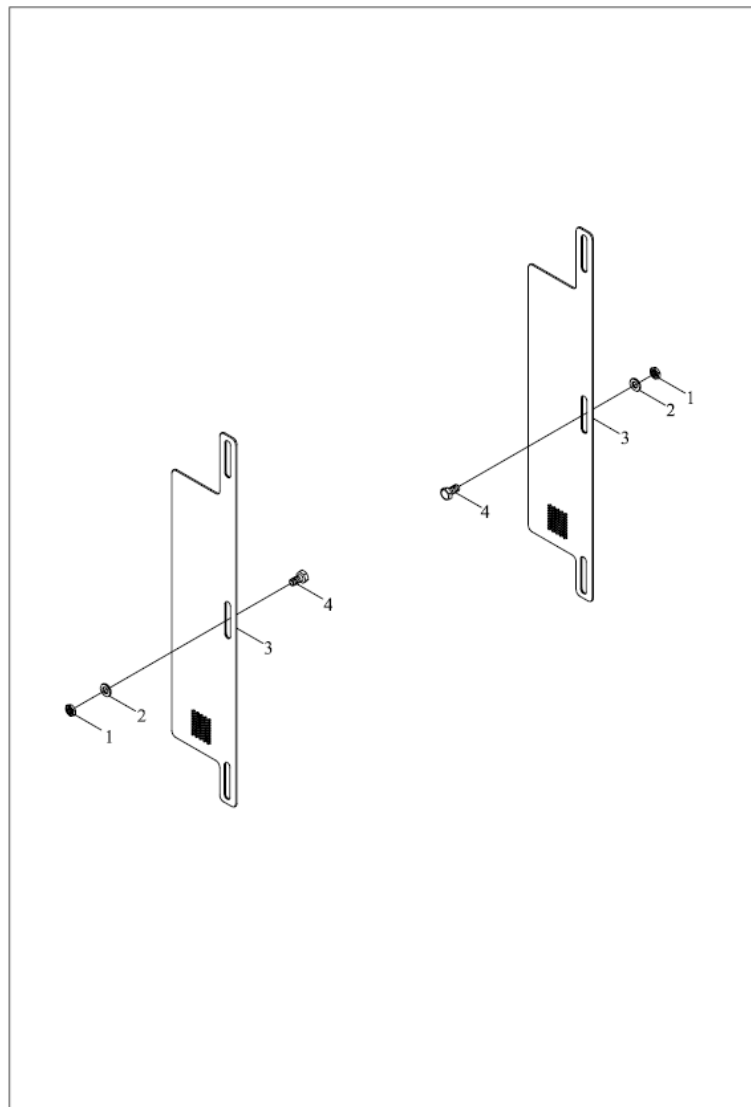
TB500.13Z 冷却系总成



## TB500.13Z 13-冷却系总成 13-COOLING SYSTEM ASSEMBLY

标号 No.	代号 Code	名称 Description	数量 Quantity	备注 Remark
1	TB500.13Y.5	AIR FILTER ASSEMBLY BRACKET	1	2011-11_
10	GBT97.1-8-A0P	WASHER	6	2011-11_
12	TD800.131-11	RUBBER PAD BLOCK	2	2011-08_
12	FT650.13.112	RUBBER PAD BLOCK	4	2004-01_
12	TA700.131-01	RUBBER PAD BLOCK	2	2011-08_
13	GBT5783-M10X20-8.8-A3L	BOLT	2	
13	GBT5783-M10X20-8.8-A3L	BOLT	2	
14	GBT93-10-A0P	WASHER	2	2011-11_
15	GBT97.1-10-A0P	WASHER	2	2011-11_
16	TB500.13Y.2	RADIATOR BACKING BOARD WELDMENT	1	2011-11_
17	FT650.13.116	WASHER	2	2011-11_
18	GBT6178-M10-8-A3L	NUT (PAGE81)	2	2011-11_
19	GBT91-2.5X28-A0P	PIN	2	
2	TB550.13.2	PULL ROD UNIT	2	2011-11_
20	TA700.131-02	SLEEVE	1	2011-08_
3	TB500.13Z.1	RADIATOR ASSEMBLY	1	2011-11_
4	Q67650	B-TYPE WORM TRANSMISSION HOSE CLAMP	4	2011-11_
5	TB500.13-01	WATER TANK INLET HOSE	1	2011-11_
5	TB500.13-01	WATER TANK INLET HOSE	1	2011-11_
6	FT450.13.102	WATER TANK OUTLET HOSE	1	2011-11_
7	GBT96.1-8-A0P	WASHER	2	2011-11_
8	GBT93-8-A0P	WASHER	8	2011-11_
9	GBT6170-M8-8-A2L	I-TYPE HEXAGON NUT	2	2011-11_

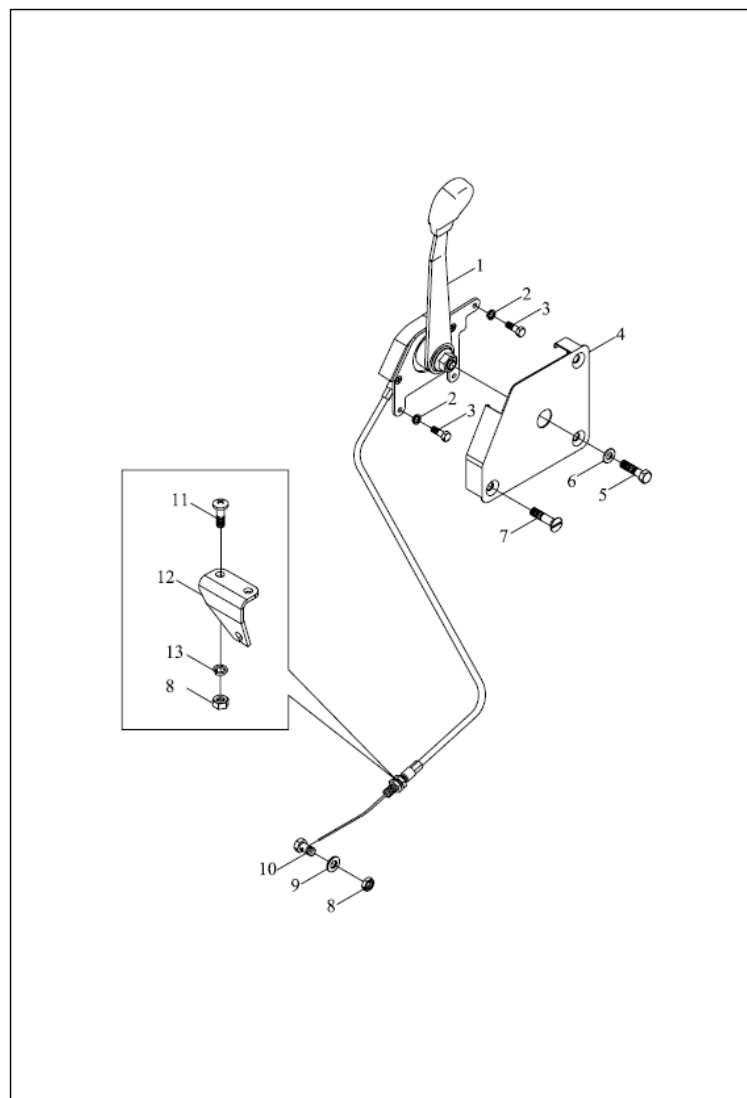
TB500.133A 防护网安装总成



## TB500.133A 13.3-防护网安装总成 13.3-GUARD NET INSTALLATION ASSEMBLY

标号 No.	代号 Code	名称 Description	数量 Quantity	备注 Remark
1	GBT6172.1-M6-04-A2L	NUT	6	2011-11_
2	GBT95-6-A0P	WASHER	6	2011-11_
3	TB500.133A.1	GUARD	2	2011-11_
4	GBT5783-M6X12-8.8-A2L	BOLT	6	2011-11_

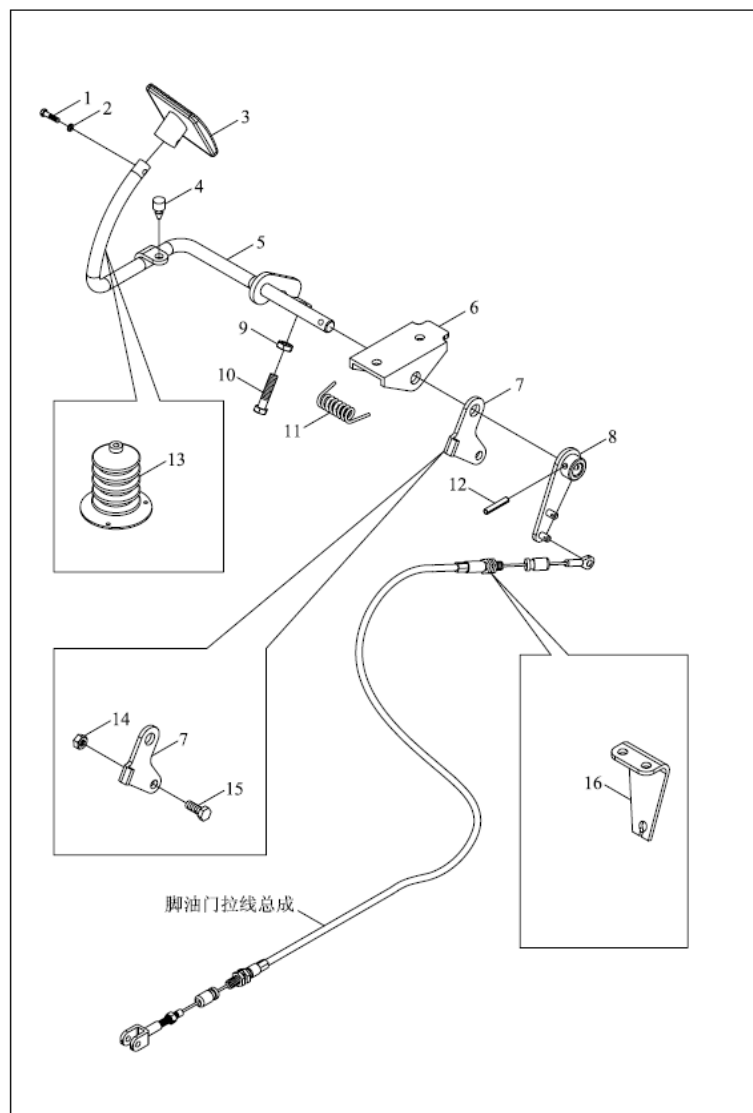
TB400.201F 手油门总成



## TB400.201F 20.1-手油门总成 20.1-HAND THROTTLE ASSEMBLY

标号 No.	代号 Code	名称 Description	数量 Quantity	备注 Remark
1	TA700.201-01	HANDLE THROTTLE ASSEMBLY	1	2011-11_
10	FT650.20.133	LOCKING SCREW	1	2011-11_
11	GBT818-M8X20-A2L	SCREW	2	2011-11_
11	GBT818-M8×20-A2L	SCREW	2	2011-12_
12	FT300.20.105	PULL WIRE BRACKET OF HAND THROTTLE	1	2004-01_
12	FT300.20.015	PULL WIRE BRACKET OF HAND THROTTLE	1	2010-02_
12	FT300.20.015	PULL WIRE BRACKET OF HAND THROTTLE	1	2010-02_
13	GBT93-8-A0P	WASHER	2	2011-11_
2	GBT93-6-A0P	SPRING WASHER	3	2011-11_
3	GBT5781-M6X16-A2L	BOLT	3	2011-11_
4	FT700.20.324	HAND THROTTLE COVER	1	2011-11_
5	GBT5780-M10X45-A3L	BOLT	1	2011-11_
6	GBT96-10-A0P	WASHER	1	2011-11_
7	GBT68-M8X30-A2L	SCREW	3	2011-11_
8	GBT6170-M8-A2L	NUT	3	2011-11_
9	GBT97.1-8-A0P	WASHER	1	2011-11_

TB400.202G 脚油门总成

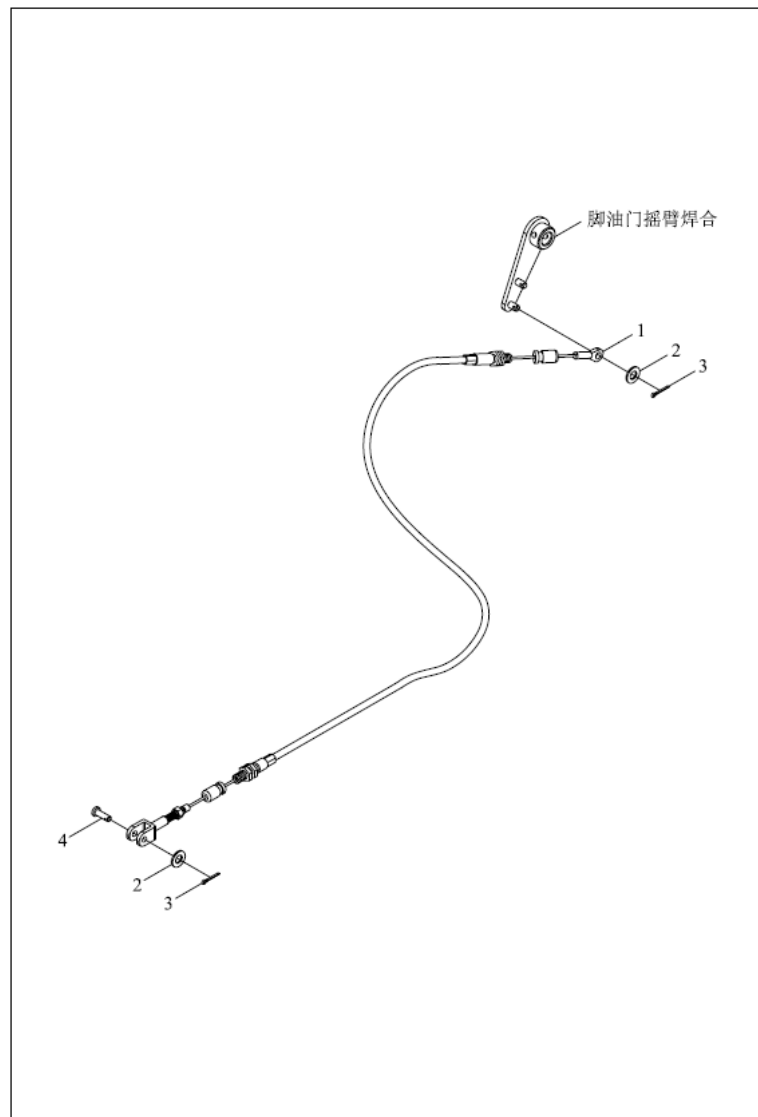




## TB400.202G 20.2-脚油门总成 20.2-FOOT THRORRLE ASSEMBLY

标号 No.	代号 Code	名称 Description	数量 Quantity	备注 Remark
1	GBT5783-M5X16-A2L	BOLT	1	2011-11_
10	GBT5781-M8X45-A2L	BOLT	1	2011-11_
11	FT650.20.104	TORSION SPRING	1	2011-11_
12	GBT879.1-5X20	PIN	1	2011-11_
13	FT65.45.393	THROTTLE PEDAL SEAL SLEEVE	1	2011-11_
14	GBT6170-M8-A2L	NUT	1	2011-11_
15	FT650.20.133	LOCKING SCREW	1	2011-11_
16	FT300.20.016	FOOT THROTTLE WIRE BRACKET WELDMENT	1	2011-11_
2	GBT93-5-A0P	WASHER	1	2011-11_
3	TB400.202F-01	FOOT PEDAL	1	2011-11_
4	FT650.20.107	RUBBER RING	1	2011-11_
5	TB400.202F.1	FOOT PEDAL ROCKER ARM WELDMENT	1	2011-11_
6	FT650.20.108	THROTTLE PEDESTAL	1	2011-11_
7	FT650.20.114	HAND THROTTLE ROCKER	1	2011-11_
8	FT300.20.011	FOOT THROTTLE ROCKER ARM WELDMENT	1	2011-11_
9	GBT6172.1-M8-A2L	NUT	3	2011-11_

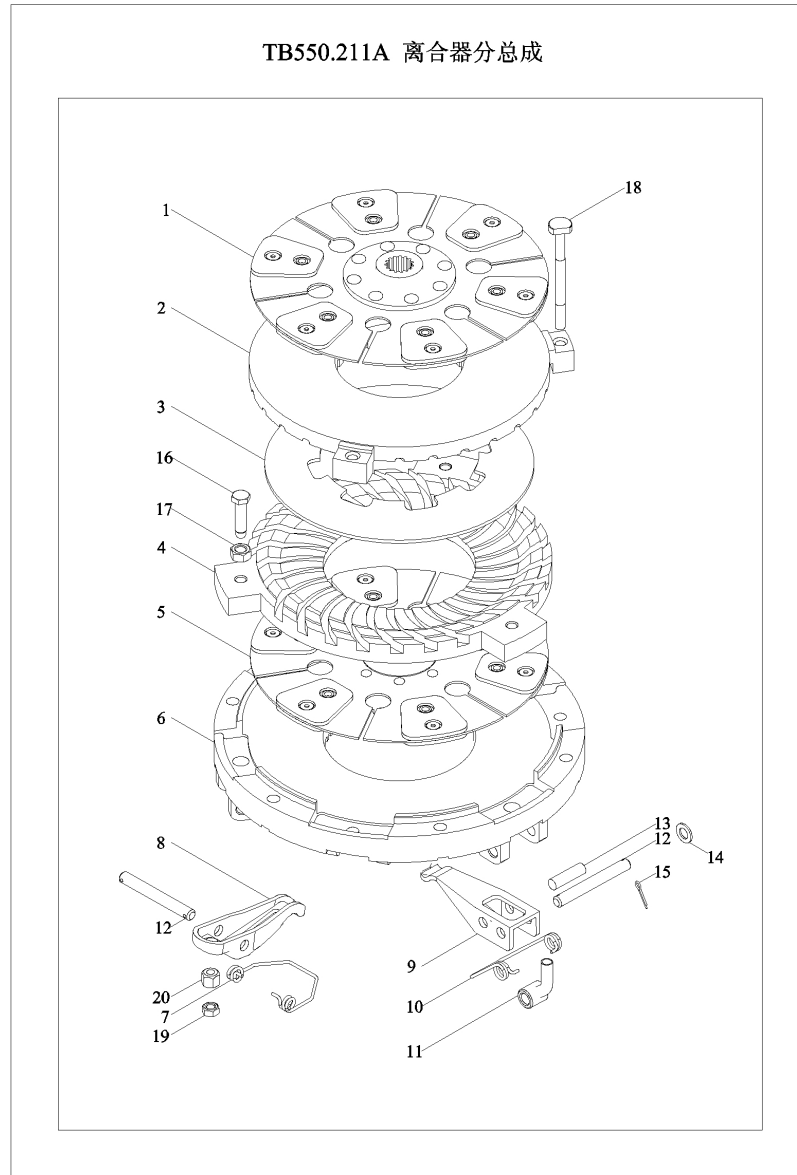
TB400.203D 拉线总成



## TB400.203D 20.3-拉线总成 20.3-PULL WIRE ASSEMBLY

标号 No.	代号 Code	名称 Description	数量 Quantity	备注 Remark
1	FT650.20.014	FOOT THROTTLE WIRE ASSEMBLY	1	2011-11_
2	GBT97.1-5-A0P	WASHER	2	2011-11_
3	GBT91-2X12	PIN	2	2011-11_
4	GBT882-B5X20-A0P	PIN	1	2011-11_
5	TB400.20C-01	PLUG COVER OF EXTINGUISH WIRE FIXING HOLE	1	2011-09_

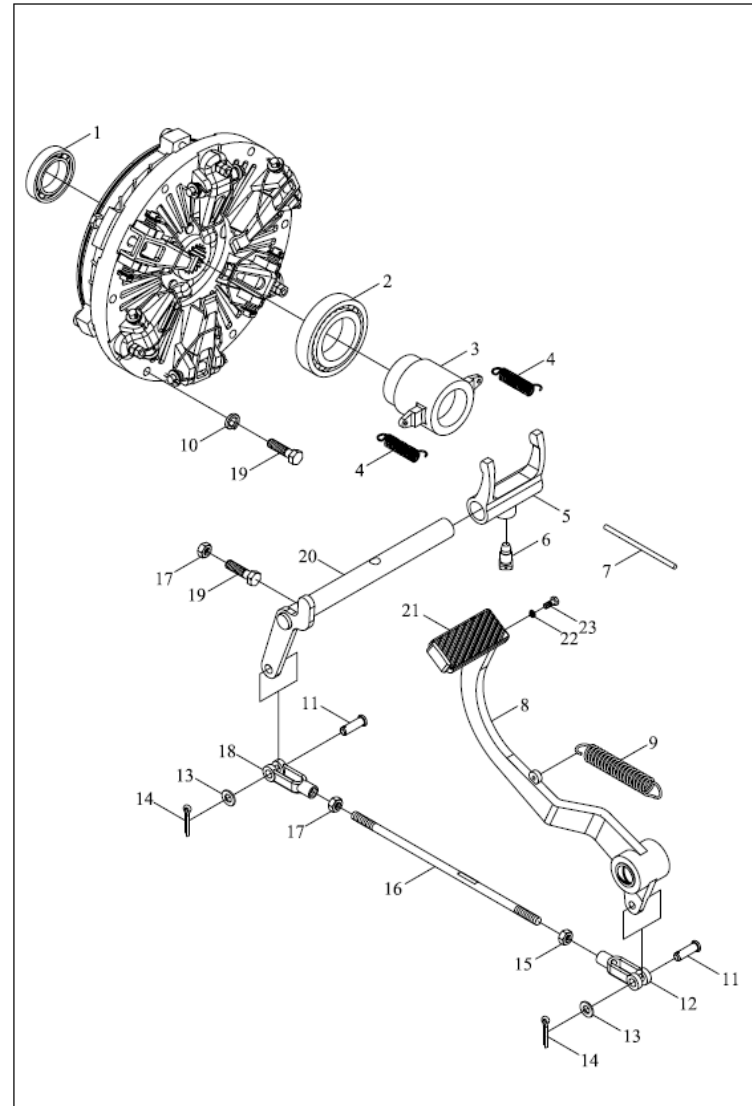
TB550.211A 离合器分总成



## TB550.211A 21.1-离合器总成 21.1-CLUTCH ASSEMBLY

标号 No.	代号 Code	名称 Description	数量 Quantity	备注 Remark
1	TB550.211A.2	AUXILIARY FRICTION PIECE ASSEMBLY	1	2009-12_
1	CF550A.21.025	AUXILIARY FRICTION PIECE	1	2013-10_
10	FT400.21B.108	MAIN RELEASE LEVER SPRING	3	2009-12_
11	FT400.21B.110	TOP ROD	3	2009-12_
12	FT300.21B.111	LONG PIN	6	2009-12_
13	FT300.21B.109	PIN	3	2009-12_
14	GBT848-10-A2L	WASHER	12	2009-12_
14	GBT848-10	WASHER	12	2013-10_
15	GBT91-3.2X16	PIN	12	2013-10_
15	GBT91-3.2X16-A0P	PIN	12	2009-12_
16	FT300.21B.114	MAIN CLUTCH ADJUSTING SCREW	3	2009-12_
17	GBT6171-M10X1	NUT	3	2013-10_
17	GBT6171-M10X1-A2L	NUT	3	2009-12_
18	FT400.21B.104	AUXILIARY CLUTCH PULL ROD	3	2009-12_
19	GBT6171-M8X1-8-A2L	HEXAGON NUT	3	2009-12_
2	FT400.21B.102	AUXILIARY CLUTCH PRESSURE PLATE	1	2009-12_
20	FT300.21B.105	BALL NUT	3	2009-12_
20	FT300.21B.105	BALL NUT	3	2009-12_
3	TB550.211-01	DISC SPRING	1	2009-12_
4	FT400.21B.113	MAIN CLUTCH PRESSURE PLATE	1	2009-12_
5	TB550.211A.1	MAIN FRICTION PLATE ASSEMBLY	1	2009-12_
6	FT400.21B.112	CLUTCH COVER	1	2009-12_
7	FT300.21B.120	AUXILIARY RELEASE LEVER SPRING	3	2009-12_
8	FT400.21B.106	AUXILIARY CLUTCH RELEASE LEVER	3	2009-12_
9	FT400.21B.107	MAIN CLUTCH RELEASE LEVER	3	2009-12_

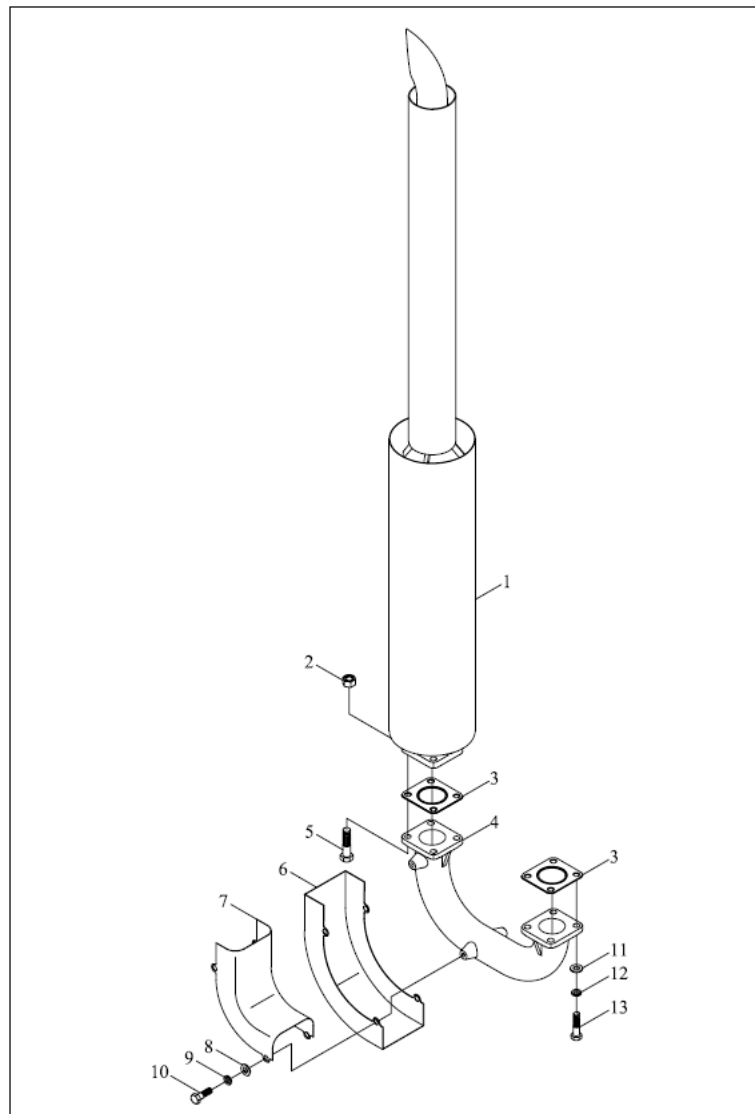
TB504.212 离合器操纵机构总成



## TB504.212 21.2-离合器操纵机构总成 21.2-CLUTCH CONTROL MECHANISM ASSEMBLY

标号 No.	代号 Code	名称 Description	数量 Quantity	备注 Remark
1	GBT276-6204-2RS	BEARING	1	2011-11_
10	GBT93-10-A0P	WASHER	6	2011-11_
11	GBT882-B10X28	PIN	2	2011-11_
12	FT300.43.110	PULL ROD REAR FORK	1	2011-11_
13	GBT97.1-10-A0P	WASHER	2	2011-11_
14	GBT91-3.2X16-A0P	PIN	2	
15	GBT6170-M10-LH-A3L	NUT	1	2011-11_
16	FT300.21.110	PULL ROD	1	2011-11_
17	GBT6170-M10-A3L	NUT	2	2011-11_
18	FT300.43.108	PULL ROD FRONT FORK	1	2011-11_
19	GBT5783-M10X40-8.8-A3L	BOLT	7	2011-11_
2	TA800.212-02	THRUST BEARING	1	2011-11_
20	FT300.21.013	CLUTCH RELEASE FORK SHAFT UNIT	1	2011-11_
21	TB504.21-01	CLUTCH PEDAL WELDMENT	1	2011-11_
22	GBT93-6-A0P	SPRING WASHER	2	2011-11_
23	GBT5783-M6x16-A2L	BOLT	2	2011-11_
3	FT400.21B.101	RELEASE BEARING SEAT	1	2011-11_
4	FT300.21.102	THRUST BEARING SEAT RETURN SPRING	2	2011-11_
5	FT300.21.103	RELEASE SHIFT FORK	1	2011-11_
6	FT300.21.113	THRUST SCREW	1	2011-11_
7	TA800.212B-02	LOW CARBON STEEL WIRE	1	2011-11_
8	TB504.21.1	CLUTCH PEDAL BODY UNIT	1	2011-11_
9	FT300.43.130	PEDAL RETURN SPRING	1	2011-11_

TB600.22B 排气系总成

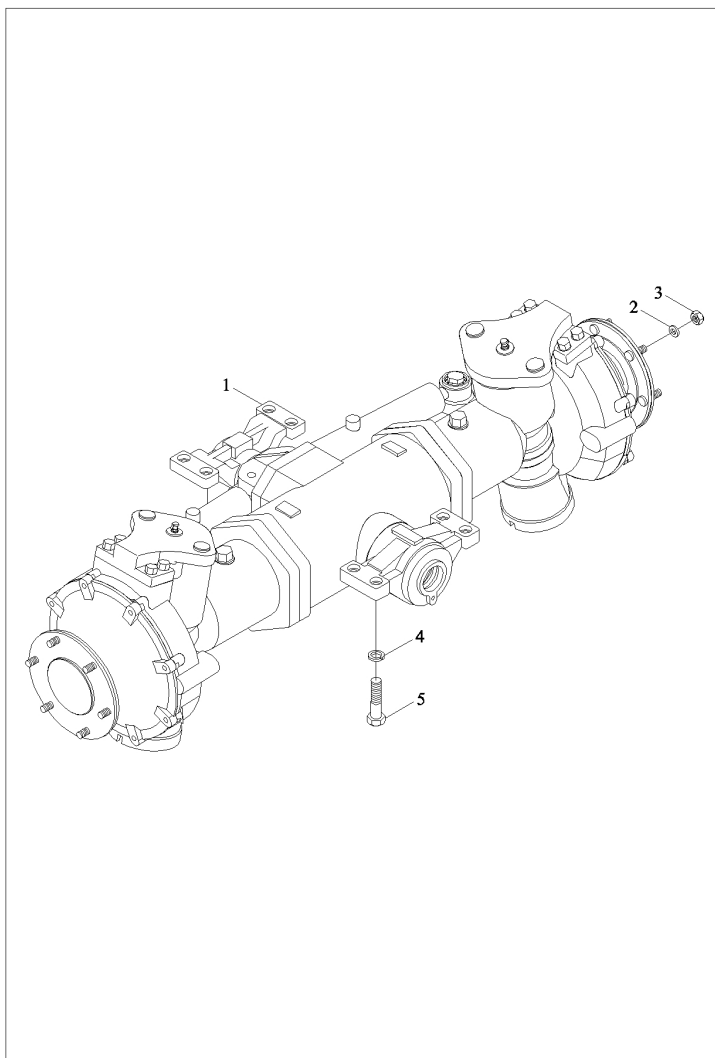




## TB600.22B 22-排气系总成 22-EXHAUST SYSTEM ASSEMBLY

标号 No.	代号 Code	名称 Description	数量 Quantity	备注 Remark
1	TB600.22.1	MUFFLER ASSEMBLY	1	2011-11_
10	GBT5783-M8X20-A2L	BOLT	4	2011-11_
11	GBT95-10-A0P	WASHER	4	2011-11_
12	GBT93-10-A0P	WASHER	4	2011-11_
13	GBT5783-M10X30-A3L	BOLT	4	2011-11_
2	SPL6175PT-M10X1.5-8F3	HEXAGON SELF-LOCKING NUT、 STYLE 2	4	2011-11_
3	FT300.22.030	SEAL GASKET UNIT	2	2011-11_
4	TB550.22A-03	EXHAUST BENDING PIPE	1	2011-11_
5	GBT5783-M10X40-A3L	BOLT	4	2011-11_
6	TB550.22A-02	EXHAUST PIPE LOWER SHIELD NET	1	2011-11_
7	TB550.22A-01	EXHAUST PIPE UPPER SHIELD NET	1	2011-11_
8	GBT97.1-8-A0P	WASHER	4	2011-11_
9	GBT93-8-A0P	WASHER	4	2011-11_

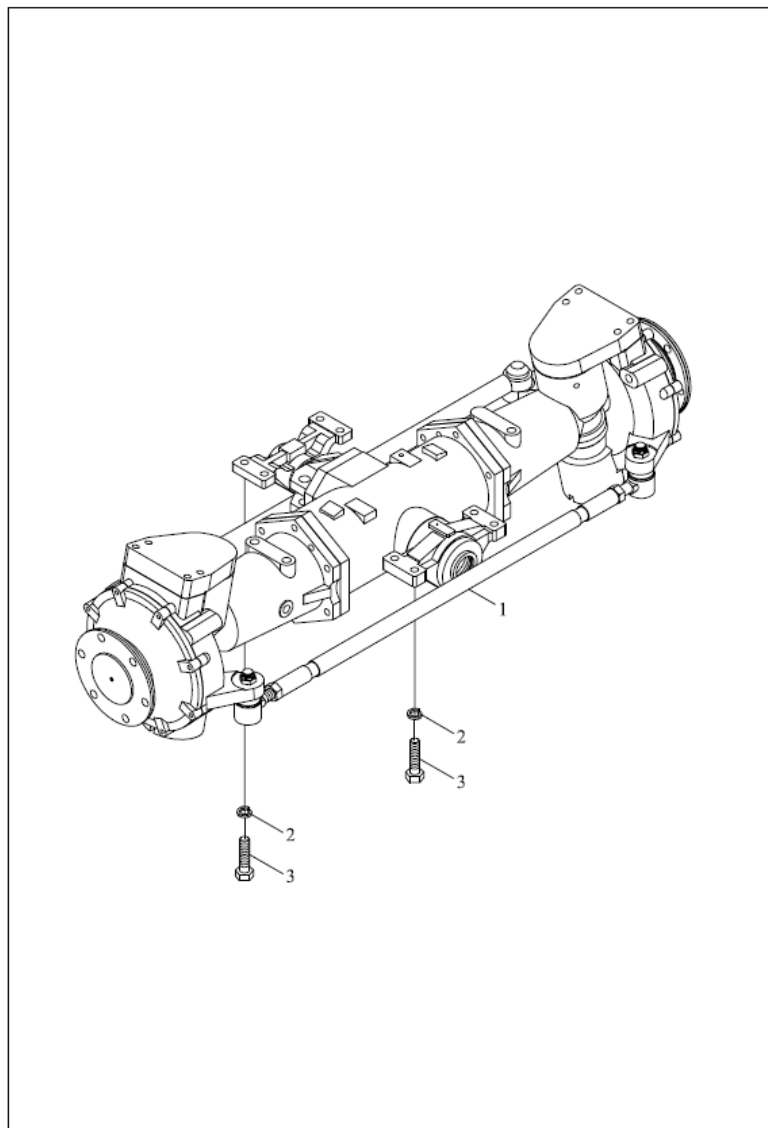
TC02311020000 前驱动桥总成-1



## TC02311020000-1 31.1-前驱动桥总成 31.1-FRONT DRIVING AXLE ASSEMBLY

标号 No.	代号 Code	名称 Description	数量 Quantity	备注 Remark
1	TC02311020001	FRONT DRIVING AXLE SUB-ASSEMBLY	1	2014-04_
2	FT400.31B.103	WASHER	12	2014-04_
4	GBT93-14-A0P	SPRING WASHER	8	2014-04_
4	GBT93-14-A0P	SPRING WASHER	8	2014-04_
5	GBT5783-M14X45-10.9-A3L	BOLT	8	2014-04_

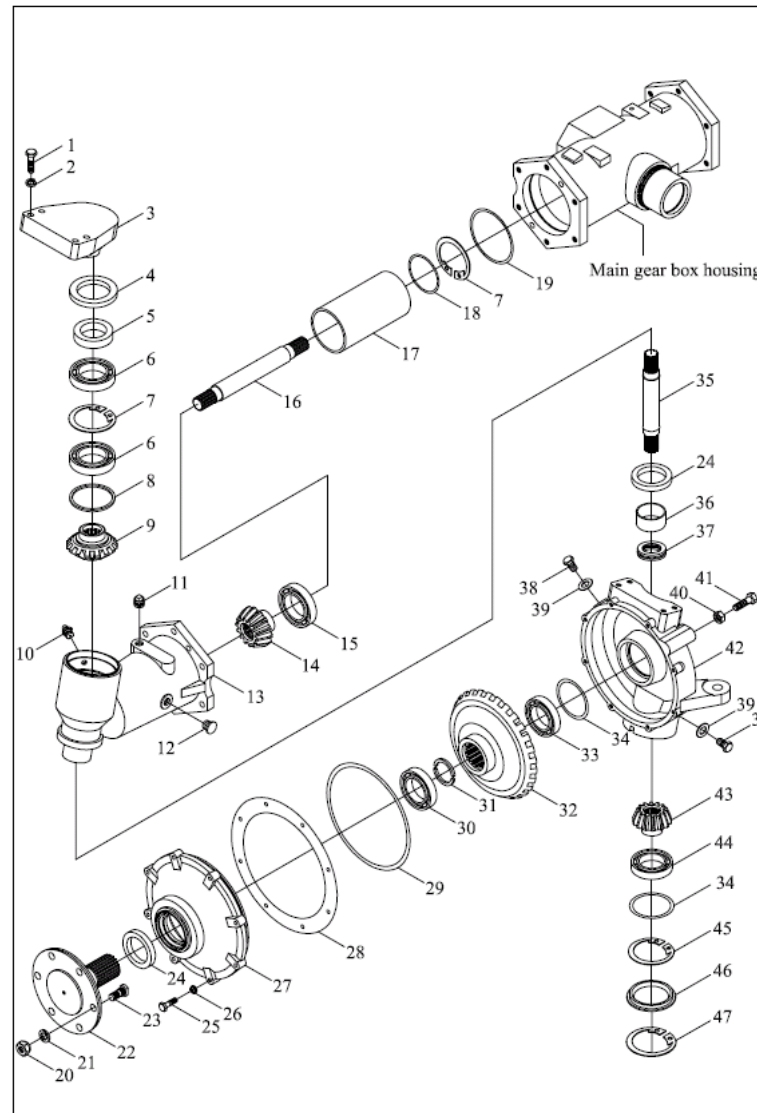
TB504.311 Front driving axle assembly-I



## TB504.311-1 31.1.1-前驱动桥总成-1 FRONT DRIVING AXLE ASSEMBLY-1

标号 No.	代号 Code	名称 Description	数量 Quantity	备注 Remark
1	FT304.31F.011	FRONT DRIVING AXLE SUB-ASSEMBLY	1	2011-11_
2	GBT93-14-A0P	SPRING WASHER	8	2011-11_
2	GBT93-14-A0P	SPRING WASHER	8	2011-11_
3	GBT5783-M14X45-10.9-A3L	BOLT	8	2011-11_

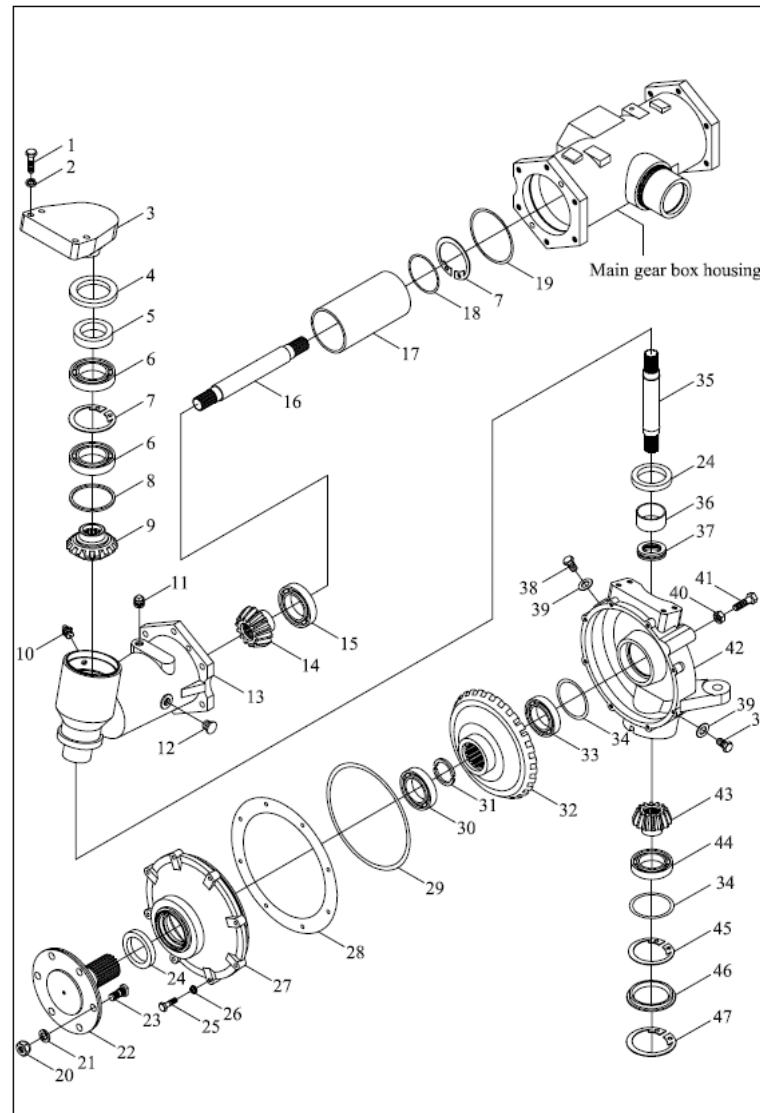
TB504.311Front driving axle assembly-2



## TB504.311-2 31.1.2-前驱动桥总成-2 FRONT DRIVING AXLE ASSEMBLY-2

标号 No.	代号 Code	名称 Description	数量 Quantity	备注 Remark
0	FT304.31F.011	FRONT DRIVING AXLE SUB-ASSEMBLY	1	2011-11_
1	GBT5783-M12×40-8.8-A3L	BOLT	4	
10	JBT7940.1-M10X1	STRAIGHT PRESSURE FILLING OIL CUP	1	2011-11_
11	QYXF70-Z3/8"	SCREW PLUG	1	
12	GBT1160.2-A10	DIPSTICK	1	2011-11_
13	FT304.31F.121	HALF SHAFT HOUSING	1	2011-11_
14	FT304.31F.126	GEAR	1	2011-11_
15	GBT276-6309	BEARING	1	2011-11_
16	FT304.31F.128	SPLINE SHAFT	1	2011-11_
17	FT304.31F.127	SLEEVE	1	2011-11_
18	FT304.31F.123	ADJUSTING WASHER	1	2011-11_
19	FT304.31F.130	ADJUSTING WASHER	1	2011-11_
2	GBT93-12	WASHER	4	2011-11_
20	GBT6176-M14X1.5-10-A2L	HEXAGON NUT, TYPE-2	6	2004-01_
21	FT304.31F.205	WASHER	6	2011-11_
22	FT304.31F.117	FRONT DRIVING SHAFT	1	2011-11_
23	FT304.31F.115	BOLT	6	2011-11_
24	FT304.31F	FLOATING OIL SEAL	2	2011-11_
24.1	65*4.8	O-RING	5	2011-11_
25	GBT5783-M8X35	BOLT	8	2011-11_
26	GBT93-8	WASHER 8	8	2011-11_
27	FT304.31F.107	BIG END COVER	1	2011-11_
28	FT304.31F.190	ADJUSTING GASKET	1	2011-11_
29	GBT3452.1-236X5.3G	O-SEAL RING	1	2011-11_
3	FT304.31F.124	CONNECTING COVER	1	2011-11_

TB504.311Front driving axle assembly-2

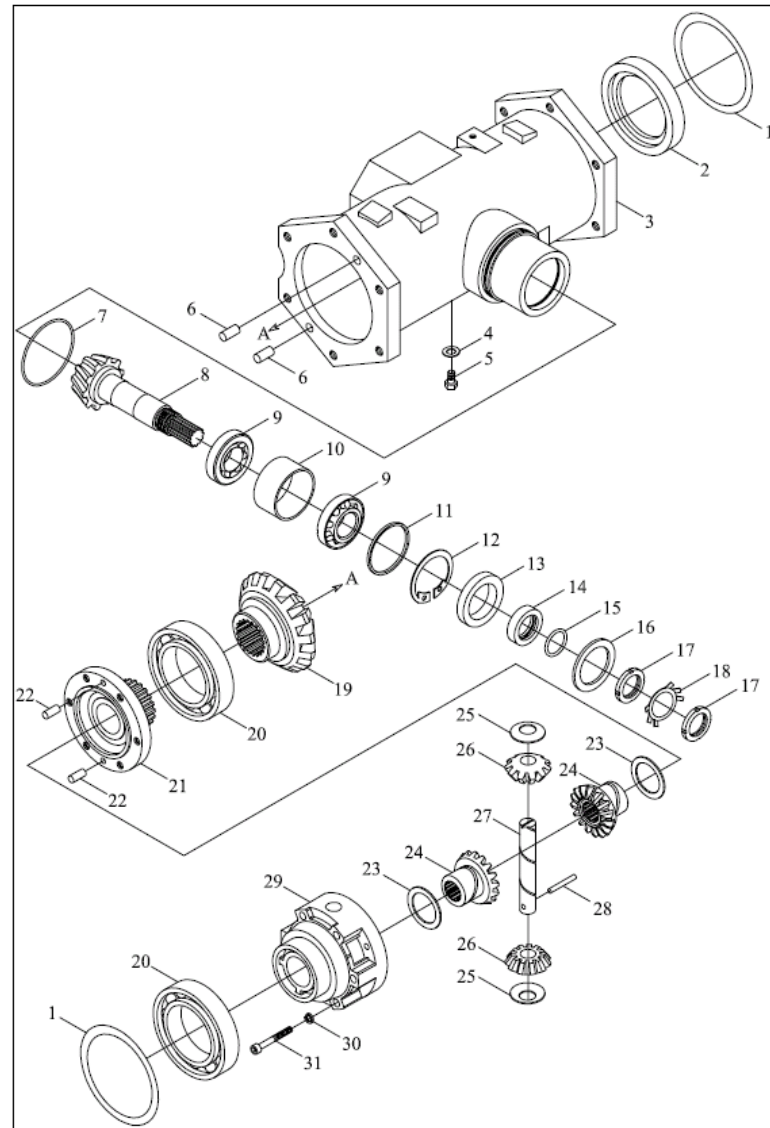




## TB504.311-2 31.1.2-前驱动桥总成-2(续)

标号 No.	代号 Code	名称 Description	数量 Quantity	备注 Remark
30	GBT276-6310	BEARING	1	2011-11_
31	FT304.31F.114	RETAINER RING	2	2011-11_
32	FT304.31F.108	BIG END GEAR	1	2011-11_
33	GBT276-6210	BEARING	1	2011-11_
34	FT304.31F.113	ADJUSTING GASKET	2	
35	FT304.31F.110	END SPLINE SHAFT	1	
36	FT304.31F.111	SLEEVE	1	2011-11_
37	GBT301-51107	BEARING	1	2011-11_
38	FT304.31F.105	SCREW PLUG	2	
38	FT304.31F.105	SCREW PLUG	2	
39	FT304.31F.106	WASHER	2	2011-11_
4	GBT9877.1-FB80X105X12	O RING	1	2011-11_
40	GBT6170-M16	NUT	1	2011-11_
41	GBT5783-M16X50-10.9-A3L	BOLT	1	
42	FT304.31F.109	LEFT END HOUSING	1	2011-11_
43	FT304.31F.112	END PINION	1	2011-11_
44	GBT276-6308	BEARING	1	2011-11_
45	GBT893.1-90	RETAINER RING	1	2011-11_
46	FT304.31F.022	SEAL CAP	1	2011-11_
47	GBT893.1-102	SNAP RING	1	2011-11_
5	FT304.31F.125	OIL SEAL BUSH	1	2011-11_
6	GBT276-6013	BEARING	2	2011-11_
7	GBT893.1-100	SNAP RING	2	2011-11_
8	FT304.31F.188	WASHER	1	2011-11_
9	FT304.31F.122	GEAR	1	2011-11_

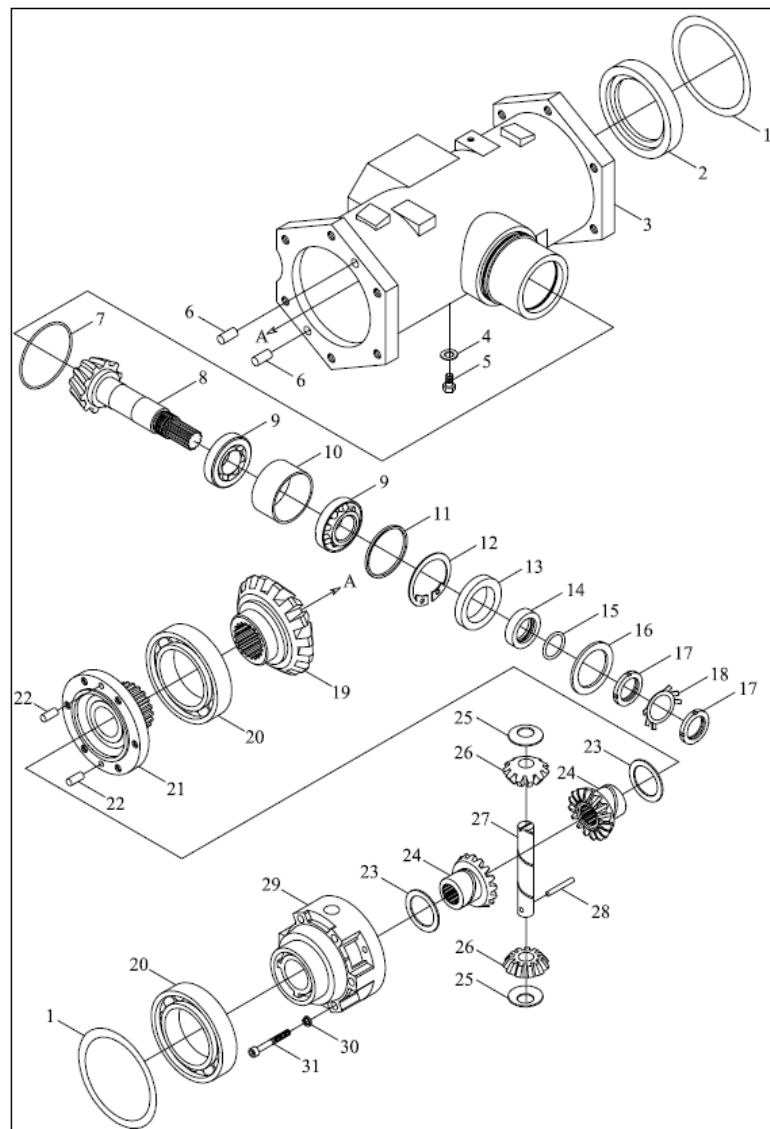
TB504.311 Front driving axle assembly-3



## TB504.311-3 31.1.3-前驱动桥总成-3 FRONT DRIVING AXLE ASSEMBLY-3

标号 No.	代号 Code	名称 Description	数量 Quantity	备注 Remark
0	FT304.31F.011	FRONT DRIVING AXLE SUB-ASSEMBLY	1	2011-11_
1	GBT3452.1-140X3.5G	O RING	2	2011-11_
10	FT304.31F.132	SPACER BUSH	1	2011-11_
10	FT304.31F.132	SPACER BUSH	1	2011-11_
11	FT304.31F.133	ADJUSTING SLEEVE	1	2011-11_
12	GBT893.1-72	RETAINER RING	1	2011-11_
13	GBT9877.1-F50X72X8D	O RING	1	2011-11_
14	FT304.31F.134	OIL SEAL CAGE	1	2011-11_
15	GBT3452.1-34.5X3.55G	O-SEAL RING	1	2011-11_
16	FT304.31F.104	COPPER WASHER	1	2011-11_
17	GBT810-M30X1.5	NUT	2	2011-11_
18	GBT858-30	WASHER LOCK	1	2011-11_
19	FT304.31F.138	CENTRAL TRANSMISSION BIG SPIRAL BEVEL GEAR	1	2011-11_
2	FT304.31F.191	LOCATING PLATE	1	2011-11_
20	GBT276-6216	BEARING	2	2011-11_
21	FT304.31F.137	DIFFERENTIAL RIGHT HOUSING	1	2011-11_
22	GBT119-B8X20	PIN	2	2011-11_
22	GBT119-B8X20	PIN	2	2011-11_
23	FT304.31F.139		2	2011-11_
24	FT304.31F.144	HALF SHAFT GEAR	2	2011-11_
25	FT304.31F.140	WASHER	2	2011-11_
26	FT304.31F.143	PLANETARY GEAR	2	2011-11_
27	FT304.31F.142	PIN	1	2011-11_
28	FT304.31F.141	THRUST PIN	1	2011-11_
29	FT304.31F.136	DIFFERENTIAL LEFT HOUSING	1	2011-11_

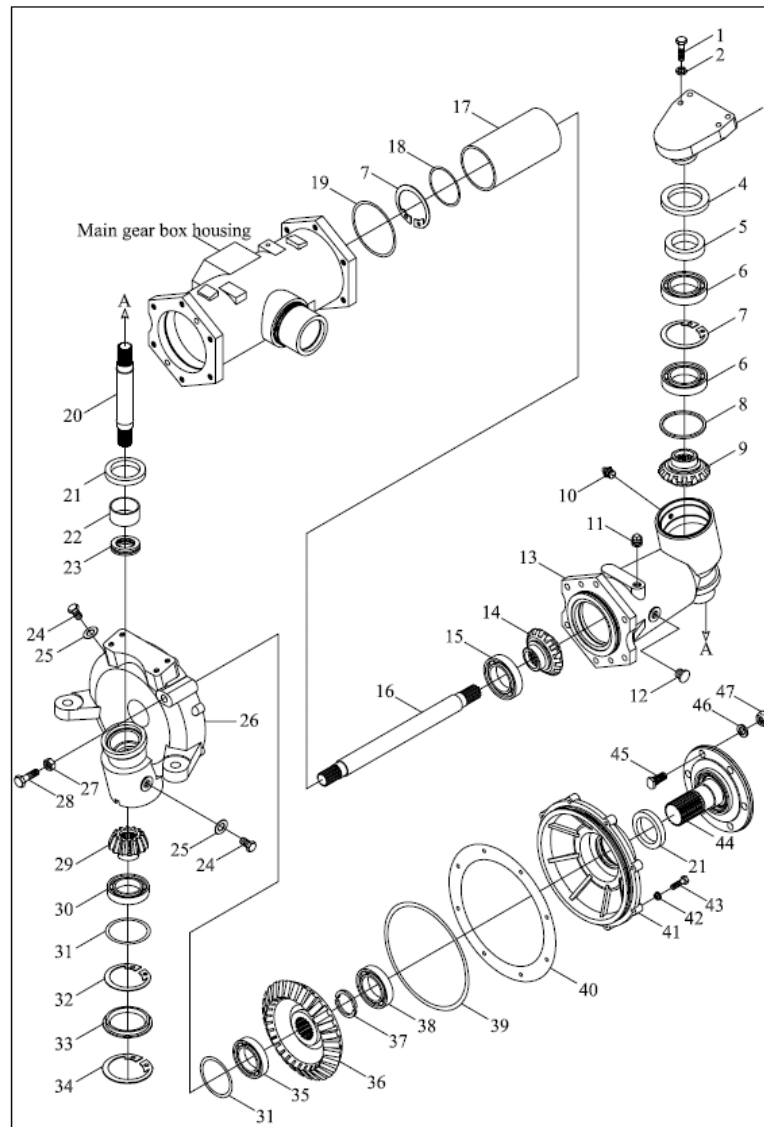
TB504.311 Front driving axle assembly-3



## TB504.311-3 31.1.3-前驱动桥总成-3(续)

标号 No.	代号 Code	名称 Description	数量 Quantity	备注 Remark
3	FT304.31F.129	MAIN REDUCER BOX HOUSING	1	2011-11_
30	GBT93-10	WASHER 10	6	2011-11_
31	GBT70-M10X70	SCREW	6	2011-11_
4	FT304.31F.106	WASHER	1	2011-11_
5	FT304.31F.105	SCREW PLUG	1	2011-11_
5	FT304.31F.105	SCREW PLUG	1	2011-11_
6	GBT119-B12X20	PIN	4	2011-11_
7	GBT3452.1-90X2.65G	O-SEAL RING	1	2011-11_
8	FT304.31F.131	DRIVING SPIRAL BEVEL GEAR SHAFT	1	2011-11_
9	GBT297-32207	BEARING	2	2011-11_

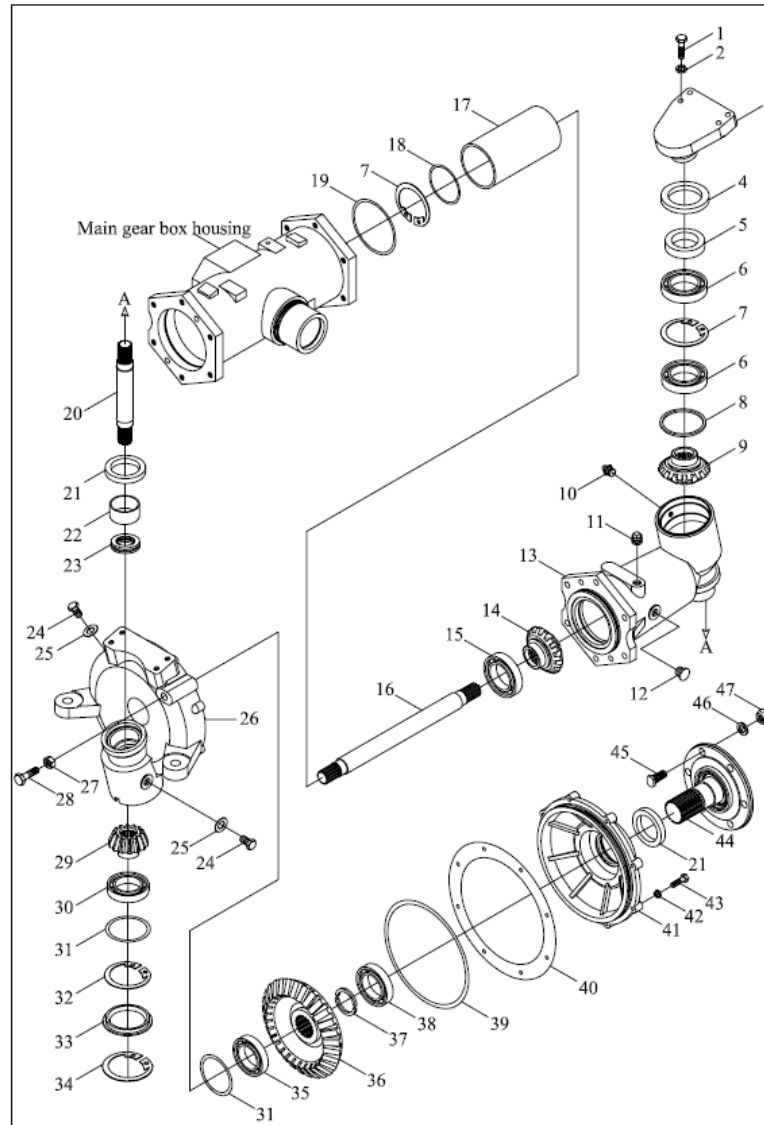
TB504.311Front driving axle assembly-4



## TB504.311-4 31.1.4-前驱动桥总成-4 FRONT DRIVING AXLE ASSEMBLY-4

标号 No.	代号 Code	名称 Description	数量 Quantity	备注 Remark
0	FT304.31F.011	FRONT DRIVING AXLE SUB-ASSEMBLY	1	2011-11_
1	GBT5783-M12X40-10.9-A3L	BOLT	4	
10	JBT7940.1-M10X1	STRAIGHT PRESSURE FILLING OIL CUP	1	2011-11_
11	GBT70-M8 × 25	SCREW	6	
12	GBT1160.2-A10	DIPSTICK	1	2011-11_
13	FT304.31F.121	HALF SHAFT HOUSING	1	2011-11_
14	FT304.31F.126	GEAR	1	2011-11_
15	GBT276-6309	BEARING	1	2011-11_
16	FT304.31F.145	SPLINE SHAFT	1	2011-11_
17	FT304.31F.127	SLEEVE	1	2011-11_
18	FT304.31F.123	ADJUSTING WASHER	1	2011-11_
19	FT304.31F.130	ADJUSTING WASHER	1	2011-11_
2	GBT93-12	WASHER	4	2011-11_
20	FT304.31F.110	END SPLINE SHAFT	1	2011-11_
21	FT304.31F	FLOATING OIL SEAL	2	2011-11_
22	FT304.31F.111	SLEEVE	1	2011-11_
23	GBT301-8107	HANDSPIKE BALL BEARING	1	2011-11_
24	FT304.31F.105	SCREW PLUG	2	2011-11_
24	FT304.31F.105	SCREW PLUG	2	2011-11_
25	FT304.31F.106	WASHER	2	2011-11_
26	FT304.31F.146	RIGHT END HOUSING	1	2011-11_
27	GBT6170-M16	NUT	1	2011-11_
28	QJ554.31.144B	ADJUSTING WASHER	999	2011-11_
29	FT304.31F.112	END PINION	1	2011-11_
3	FT304.31F.124	CONNECTING COVER	1	2011-11_

TB504.311Front driving axle assembly-4

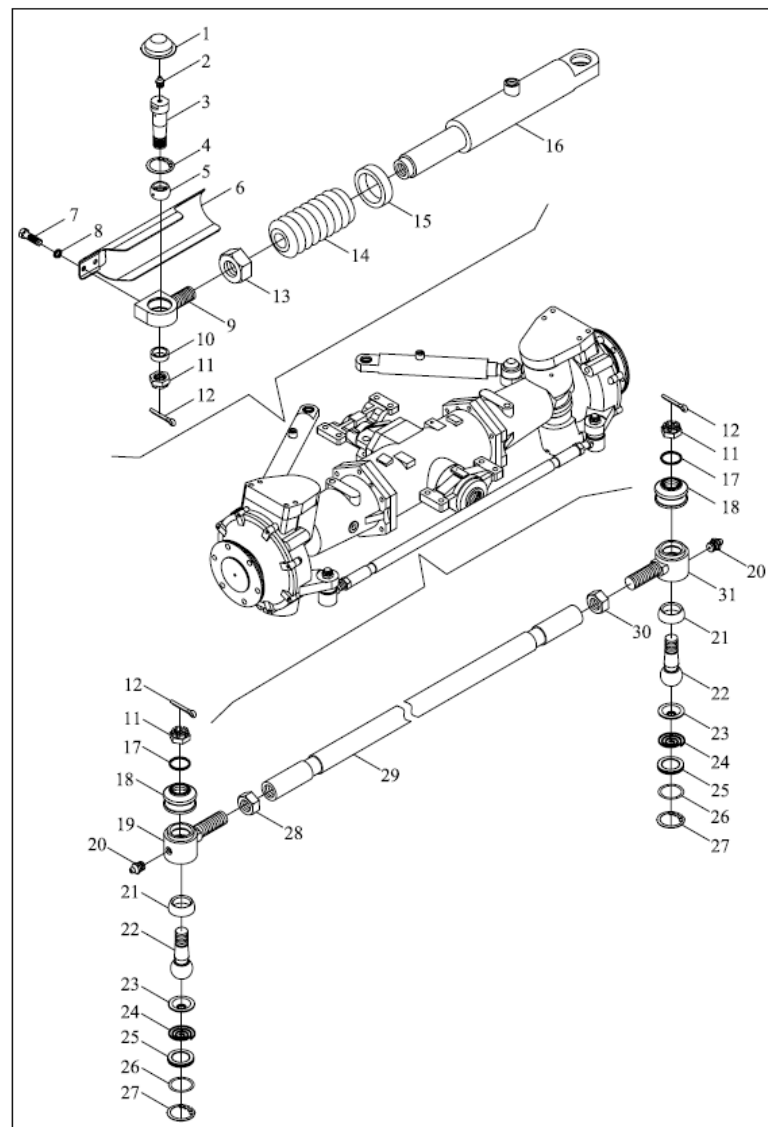




## TB504.311-4 31.1.4-前驱动桥总成-4(续)

标号 No.	代号 Code	名称 Description	数量 Quantity	备注 Remark
30	GBT276-6308	BEARING	1	2011-11_
31	FT304.31F.113	ADJUSTING GASKET	2	2011-11_
32	GBT893.1-90	RETAINER RING	1	2011-11_
33	FT304.31F.022	SEAL CAP	1	2011-11_
34	GBT893.1-102	SNAP RING	1	2011-11_
35	GBT276-6210	BEARING	1	2011-11_
36	FT304.31F.108	BIG END GEAR	1	2011-11_
37	FT304.31F.114	RETAINER RING	2	2011-11_
38	GBT276-6310	BEARING	1	2011-11_
39	GBT3452.1-236X5.3G	O-SEAL RING	1	2011-11_
4	GBT9877.1-FB80X105X12	O RING	1	2011-11_
40	FT304.31F.190	ADJUSTING GASKET	1	2011-11_
41	FT304.31F.107	BIG END COVER	1	2011-11_
42	GBT93-8	WASHER 8	8	2011-11_
43	GBT5783-M8X35	BOLT	8	2011-11_
44	FT304.31F.117	FRONT DRIVING SHAFT	1	2011-11_
45	FT304.31F.115	BOLT	6	2011-11_
46	FT304.31F.205	WASHER	6	2011-07_
47	GBT6176-M14X1.5	NUT	6	
5	FT304.31F.125	OIL SEAL BUSH	1	2011-11_
6	GBT276-6013	BEARING	2	2011-11_
7	GBT893.1-100	SNAP RING	2	2011-11_
8	FT304.31F.188	WASHER	1	2011-11_
9	FT304.31F.122	GEAR	1	2011-11_

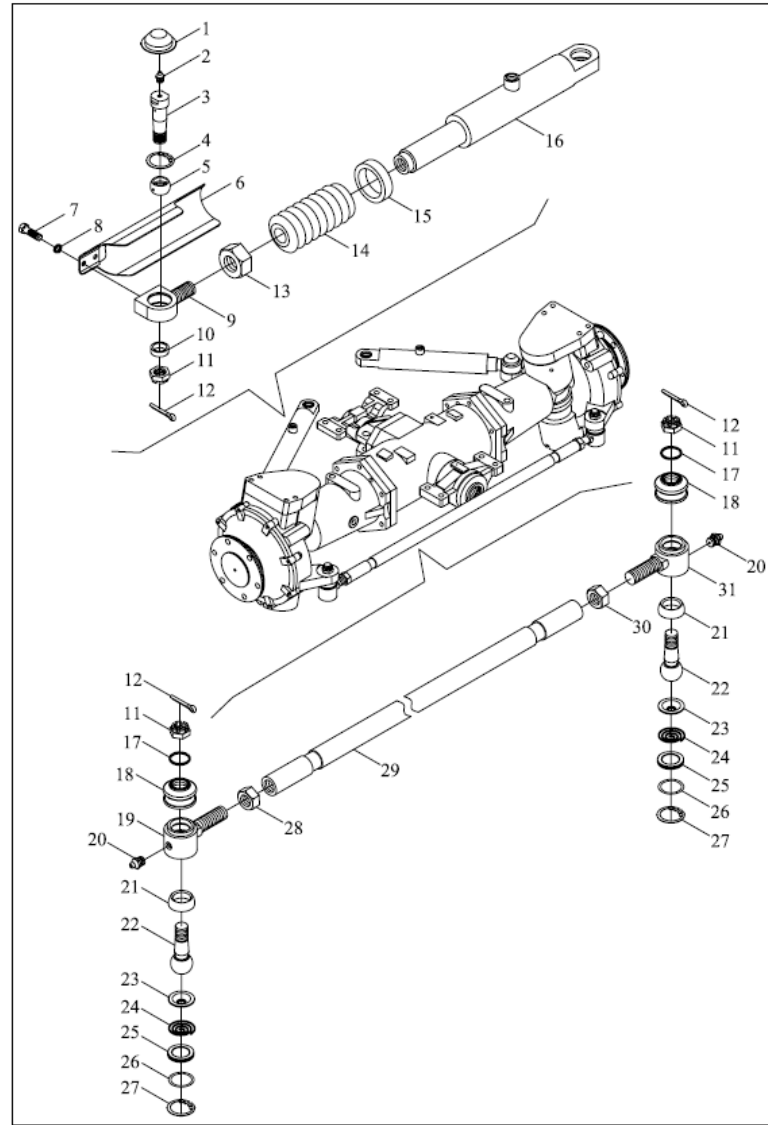
TB504.311 前驱动桥总成-5



## TB504.311-5 31.1.5-前驱动桥总成-5 FRONT DRIVING AXLE ASSEMBLY-5

标号 No.	代号 Code	名称 Description	数量 Quantity	备注 Remark
.1	FT304.31F.036	LEFT CYLINDER JOINT ASSEMBLY	1	2011-11_
.1	FT304.31F.036	LEFT CYLINDER JOINT ASSEMBLY	1	2011-11_
.2	FT304.31F.037	RIGHT OIL CYLINDER JOINT ASSEMBLY	1	2011-11_
.3	FT304.31F.033	STEERING BALL HEAD ASSY、 RIGHT	1	2011-11_
.4	FT304.31F.032	STEERING BALL HEAD ASSY、 LEFT	1	2011-11_
1	FT304.31F.160	DUSTPROOF CAP	2	2011-11_
10	FT304.31F.167	SPACER BUSH	2	2011-11_
11	FT304.31F.168	HEXAGON SLOTTED NUT	4	2011-11_
12	GBT91	COTTER PIN 3.2 25	4	
13	GBT6173-M20X1.5	NUT	2	2011-11_
14	FT304.31F.027	DUSTPROOF LEATHER SLEEVE	2	2011-11_
15	Q50MZ3040-50	PIPE HOOP	2	2011-11_
16	FT304.31F.019a	HYDRAULIC CYLINDER	2	2011-11_
17	FT304.31F.184	CIRCLIP	2	2011-11_
18	FT304.31F.026A	DUSTPROOF POCKET	2	2010-07_
19	FT304.31F.174A	LEFT BALL PIN SEAT	1	2011-11_
2	JBT7940.1-M6X1	OIL CUP	2	2011-11_
2	JBT7940.1-M6X1	OIL CUP	2	2011-11_
20	JBT7940.1-M6X1	OIL CUP	2	2011-11_
20	JBT7940.1-M6X1	OIL CUP	2	2011-11_
21	804.31.151	BALL HEAD PIN SEAT	2	2011-11_
22	FT304.31F.177A	BALL PIN	2	2010-07_
23	8004.31.153	BALL PIN COVER	2	2011-11_
24	8004.31.154	SPRING	2	2011-11_
25	FT304.31F.187	PRESSURE COVER	2	2011-11_

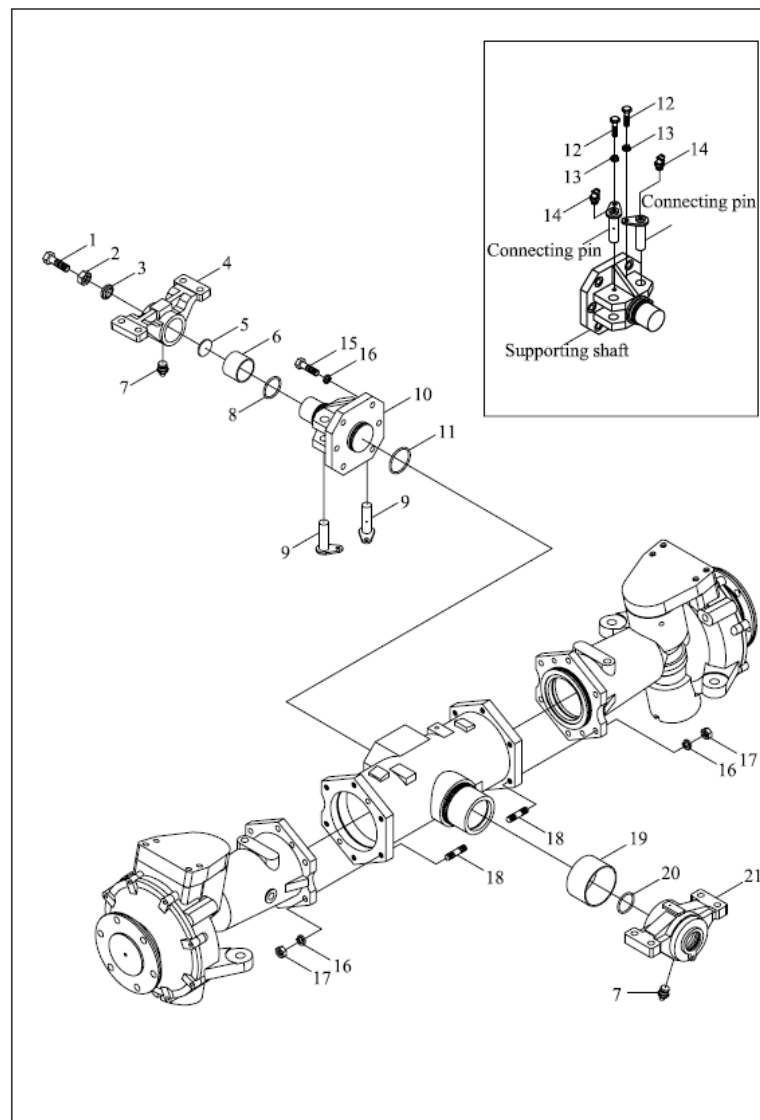
TB504.311 前驱动桥总成-5



## TB504.311-5 31.1.5-前驱动桥总成-5(续)

标号 No.	代号 Code	名称 Description	数量 Quantity	备注 Remark
26	GBT3452.1-33.5X1.8G	O-RING	1	2011-11_
27	GBT893.1-37	SNAP RING	2	2011-11_
28	GBT6171-M20X1.5-LH	NUT	1	
29	FT304.31F.175	PULL ROD	1	2011-11_
3	FT304.31F.165a	FIXING PIN	2	2011-11_
30	GBT6171-M20X1.5	NUT	1	2011-11_
31	FT304.31F.176A	RIGHT BALL PIN SEAT	1	
4	GBT893.1-35	RETAINER RING	2	2011-11_
5	GBT9163-GE20ES	BEARING	2	2011-11_
6	FT304.31F.185	LEFT GUARD PLATE	1	2011-11_
6.1	FT304.31F.186	RIGHT GUARD PLATE	1	
7	GBT5783-M8X16	BOLT	4	2011-11_
8	GBT93-8	WASHER 8	4	2011-11_
9	FT304.31F.195	EAR RING OF LEFT PISTON ROD	1	2011-11_
9.1	FT304.31F.196	RIGHT PISTON ROD EAR RING	1	

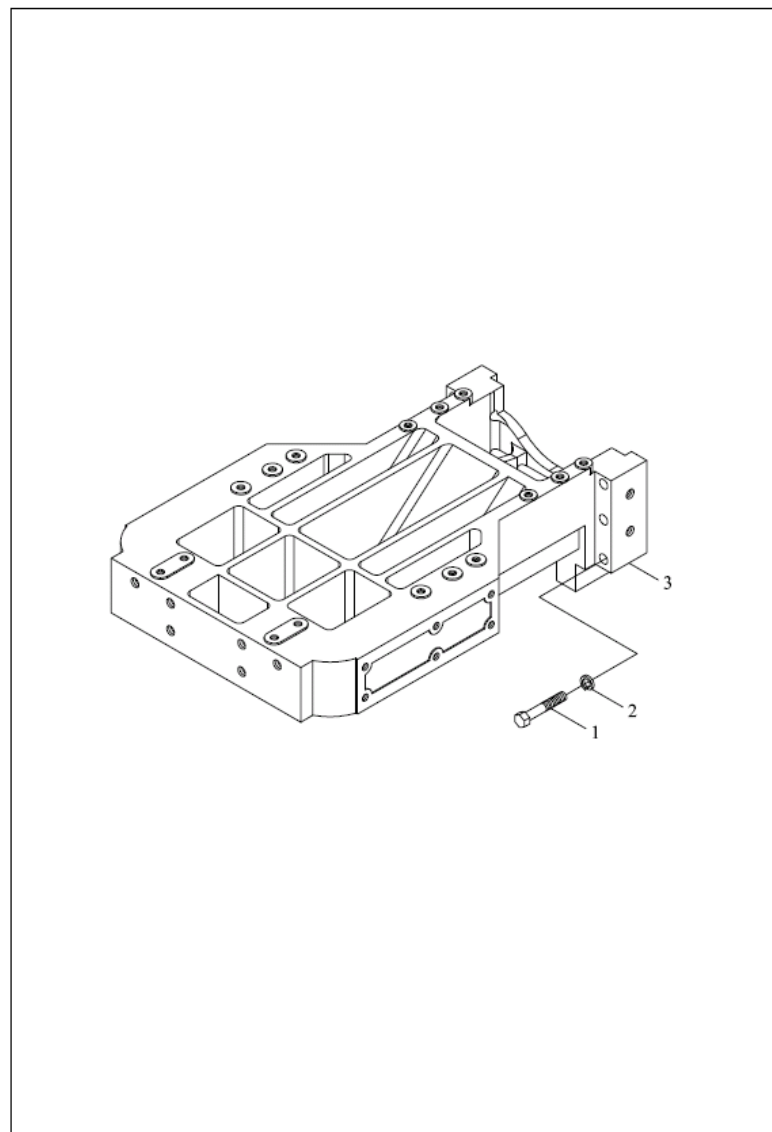
TB504.311Front driving axle assembly-6



## TB504.311-6 31.1.6-前驱动桥总成-6 FRONT DRIVING AXLE ASSEMBLY-6

标号 No.	代号 Code	名称 Description	数量 Quantity	备注 Remark
0	FT304.31F.011	FRONT DRIVING AXLE SUB-ASSEMBLY	1	2011-11_
1	GBT5783-M16X40-8.8-A3L	BOLT	1	2011-11_
10	FT304.31F.147	SHAFT	1	2011-11_
11	GBT3452.1-58X3.55G	O-SEAL RING	1	2011-11_
12	GBT5783-M8X20-Zn.D	BOLT	2	
13	GBT93-8	WASHER 8	2	2011-11_
14	GBT7940.2-M8X1	OIL CUP	2	2011-11_
15	GBT5783-M12X40-10.9	BOLT	6	
16	GBT93-12	WASHER	18	2011-11_
17	GBT6170-M12	NUT	12	2011-11_
18	GBT900-AM12X40-8.8-Zn.D	STUD	12	2011-11_
19	FT304.31F.156	SLIDING BEARING	1	2011-11_
2	GBT6170-M16	NUT	1	2011-11_
20	GBT3452.1-45X3.55G	O-SEAL RING	1	2011-11_
21	FT304.31F.155	REAR SUPPORTING SHAFT SEAT	1	2011-11_
3	FT304.31F.025	SEAL GASKET	1	2011-11_
4	FT304.31F.149	FRONT SUPPORT SHAFT SEAT	1	2011-11_
5	FT304.31F.150	WASHER	1	2011-11_
6	FT304.31F.148	SLIDING BEARING	1	2011-11_
7	GBT7940.1-M8X1	OIL CUP	2	2011-11_
8	GBT3452.1-47.5X3.55G	O-SEAL RING	1	2011-11_
9	FT304.31F.024	CONNECTING PIN	2	2011-11_

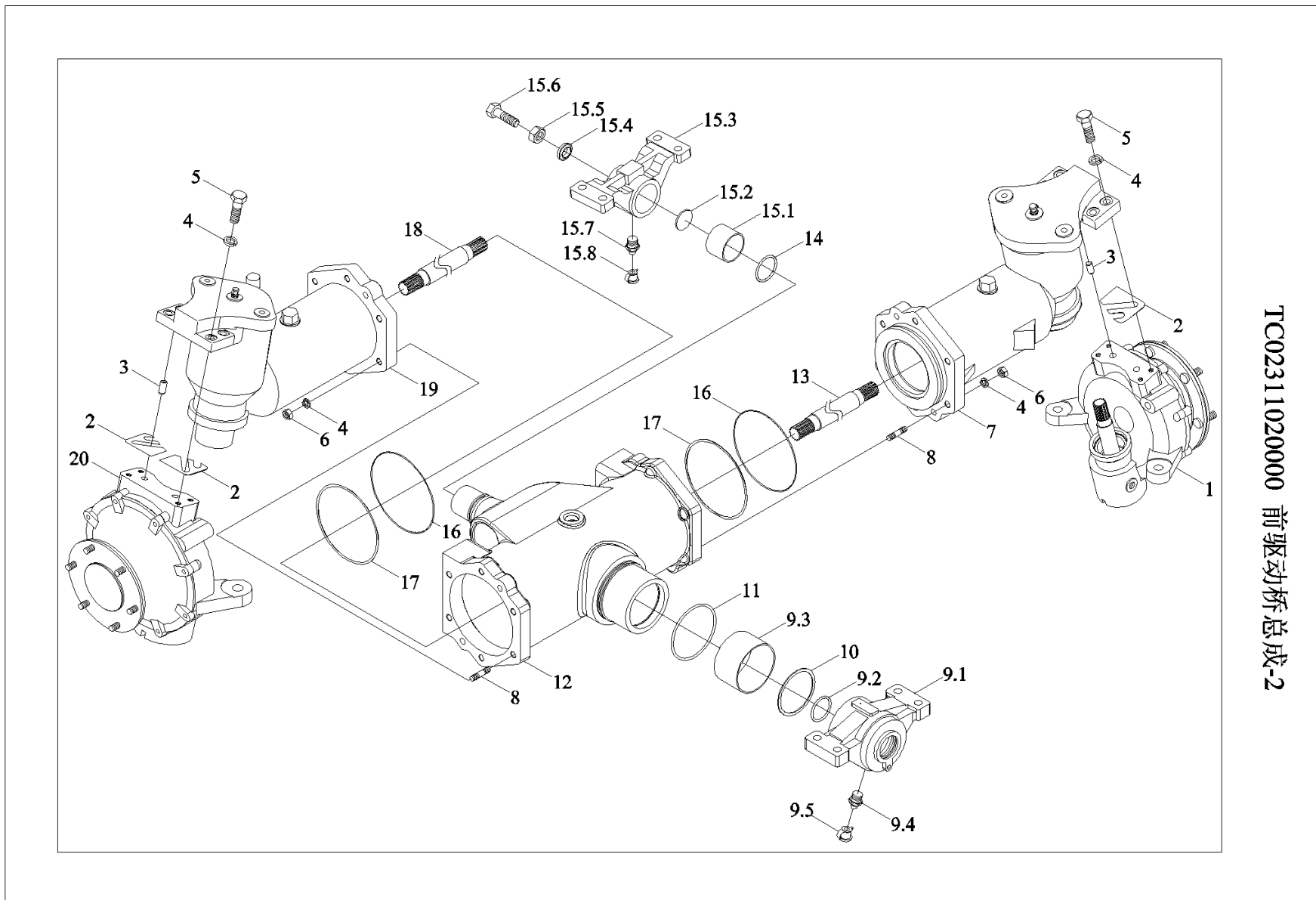
TB554.312Front tray assembly





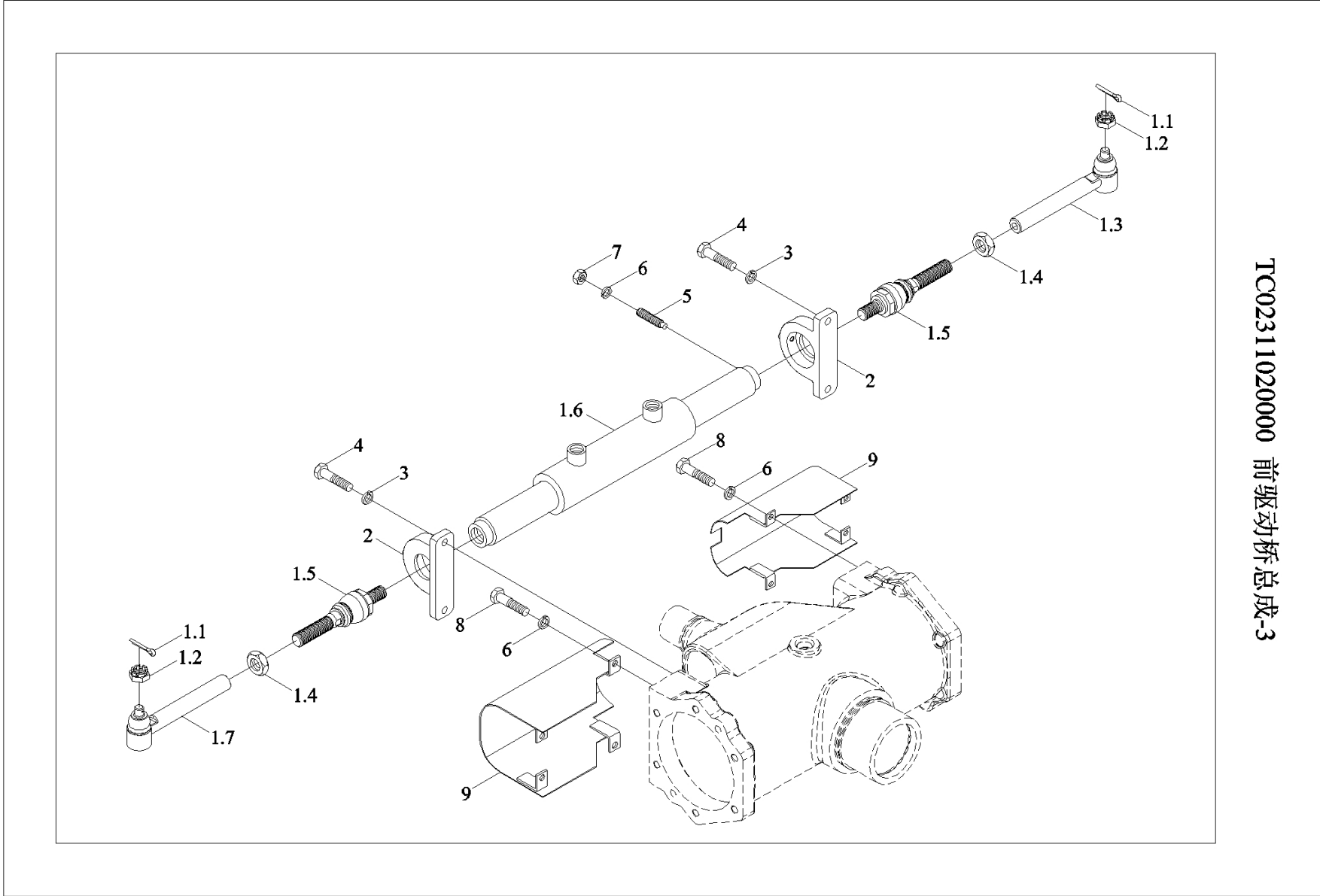
## TB554.312 31.2-前托架总成 31.2-FRONT BRACKET ASSEMBLY

标号 No.	代号 Code	名称 Description	数量 Quantity	备注 Remark
1	GBT5782-M16X110-10.9-A2L	BOLT	6	2011-11_
2	GBT93-16-A0P	SPRING WASHER	6	2011-11_
3	TB554.312-01	FRONT BRACKET	1	2011-11_



## TC02311020000-2 31.2-前驱动桥总成 FRONT DRIVING AXLE ASSEMBLY

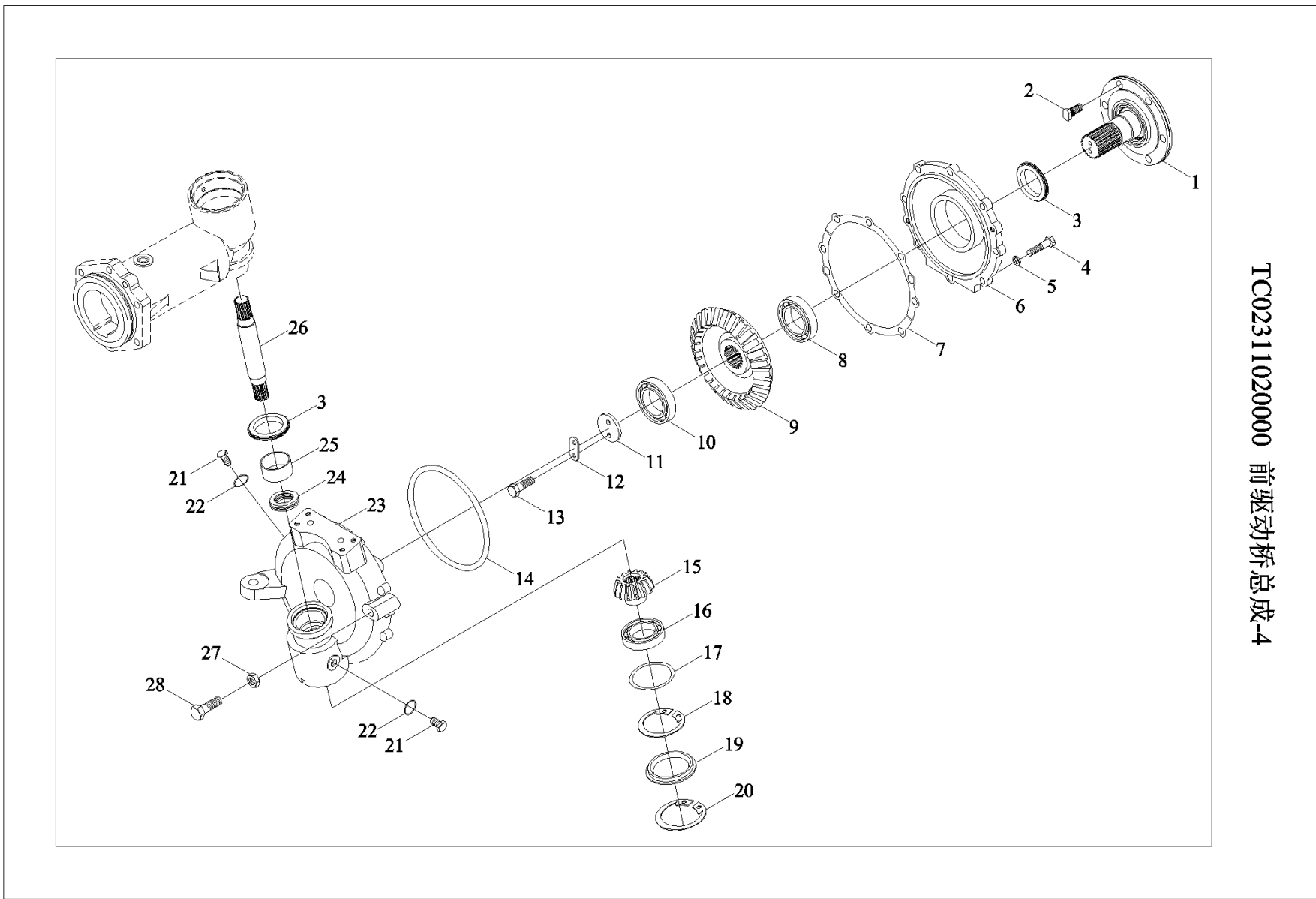
标号 No.	代号 Code	名称 Description	数量 Quantity	备注 Remark
11	GBT3452.1-97.5X3.55G	O-SEAL RING	1	2014-04_
15.2	TC02311010067	WASHER	1	2014-04_
15.5	GBT6170-M16-8-A3L	NUT	1	2014-04_
15.6	GBT5783-M16X50-8.8-A3L	BOLT	1	2014-04_
17	TC02311010081	ADJUSTING WASHER	999	2014-04_
2	TC02311010012	ADJUSTING GASKET	999	2014-04_
3	GBT119.1-12m6X22-A0P	PIN	1	2014-04_
4	GBT93-12-A0P	SPRING WASHER	24	2014-04_
5	GBT5783-M12X40-10.9-A3L	BOLT	8	2014-04_
6	GBT6170-M12-10-A3L	NUT	12	2014-04_
8	GBT899-GM12-M12X40-10.9-A3L	8.8-A3L STUD	12	2014-04_
9.2	GBT3452.1-45X3.55G	O-SEAL RING	1	2014-04_
9.4	JB/T 7940.1-M10X1	OIL CUP	1	2014-04_
9.5	TD800.311C.1-01	DUSTPROOF CAP OF OIL CUP	1	2014-04_
9.5	TD800.311C.1-01	DUSTPROOF CAP OF OIL CUP	1	2014-04_



TC02311020000 前驱动桥总成-3

## TC02311020000-3 31.3-前驱动桥总成 FRONT DRIVING AXLE ASSEMBLY

标号 No.	代号 Code	名称 Description	数量 Quantity	备注 Remark
1.1	GBT91-3.2X40-A0P	PIN	2	2014-04_
1.2	TC02311010075	HEXAGON SLOTTED NUT	2	2014-04_
1.4	GBT6173-M22X1.5-05-A3L	NUT	2	
3	GBT93-12-A0P	SPRING WASHER	24	2014-04_
4	GBT5783-M12X35-10.9-A3L	BOLT	4	2014-04_
6	GBT93-8-A0P	WASHER	10	2014-04_
7	GBT6170-M8-8-A2L	I-TYPE HEXAGON NUT	2	2014-04_
8	GBT5783-M8X16-8.8-A2L	BOLT	8	2014-04_

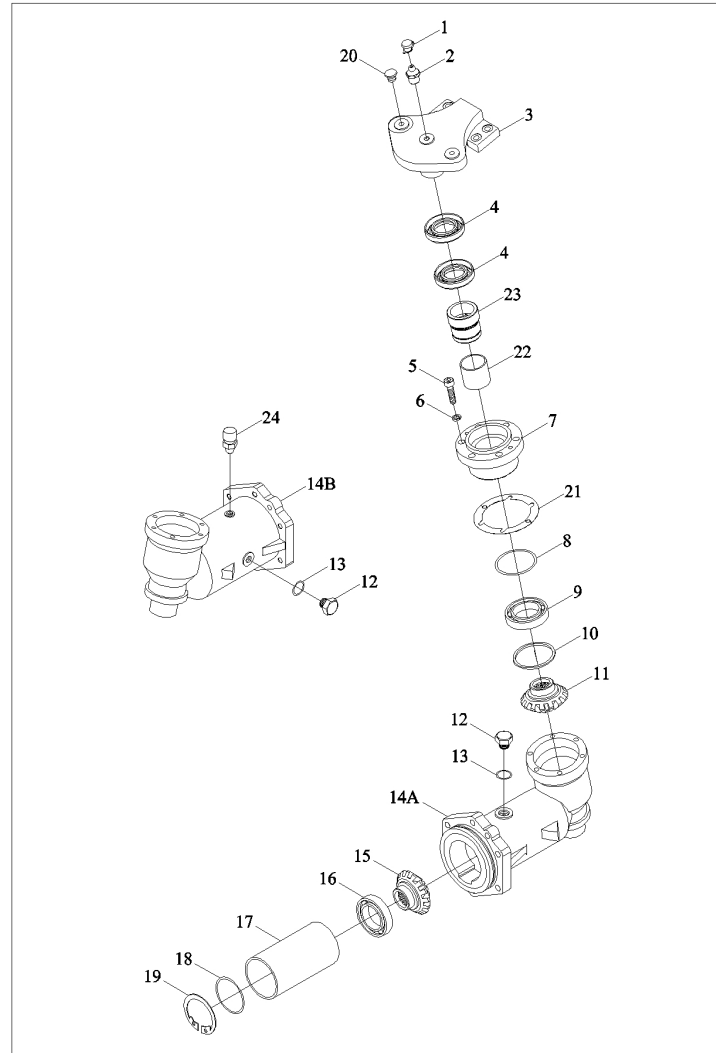


TC02311020000 前驱动桥总成-4

## TC02311020000-4 31.4-前驱动桥总成 FRONT DRIVING AXLE ASSEMBLY

标号 No.	代号 Code	名称 Description	数量 Quantity	备注 Remark
1	TC02311020014	FRONT DRIVING SHAFT	1	2014-04_
10	GBT276-6310	BEARING	1	2014-04_
11	TC02311010055	WASHER	1	2014-04_
13	GBT5783-M8X35-8.8-A2L	BOLT	2	2014-04_
15	TC02311010053	END PINION	1	2014-04_
16	GBT276-6308	BEARING	1	2014-04_
17	TC02311010059	ADJUSTABLE WASHER	999	2014-04_
18	GBT893.1-90	RETAINER RING	1	2014-04_
2	TC02311020015	BOLT	6	2014-04_
20	GBT893.1-102	SNAP RING	1	2014-04_
22	GBT3452.1-21.2X2.65G	O-SEAL RING	2	2014-04_
24	GBT301-51107	BEARING	1	2014-04_
26	TC02311010056	END SPLINE SHAFT	1	2014-04_
27	GBT6172.1-M16-04-A3L	NUT	1	2014-04_
28	GBT5783-M16X40-10.9-A3L	BOLT	1	2014-04_
3	TC02311010032	FLOATING OIL SEAL	2	2014-04_
4	GBT5783-M10X40-10.9-A3L	BOLT	8	2014-04_
5	GBT93-10-A0P	WASHER	8	2014-04_
6	TC02311010050	BIG END COVER	1	2014-04_
7	TC02311010060	ADJUSTABLE WASHER	999	2014-04_
8	GBT276-6410	BEARING	1	2014-04_
9	TC02311010052	BIG END GEAR	1	2014-04_

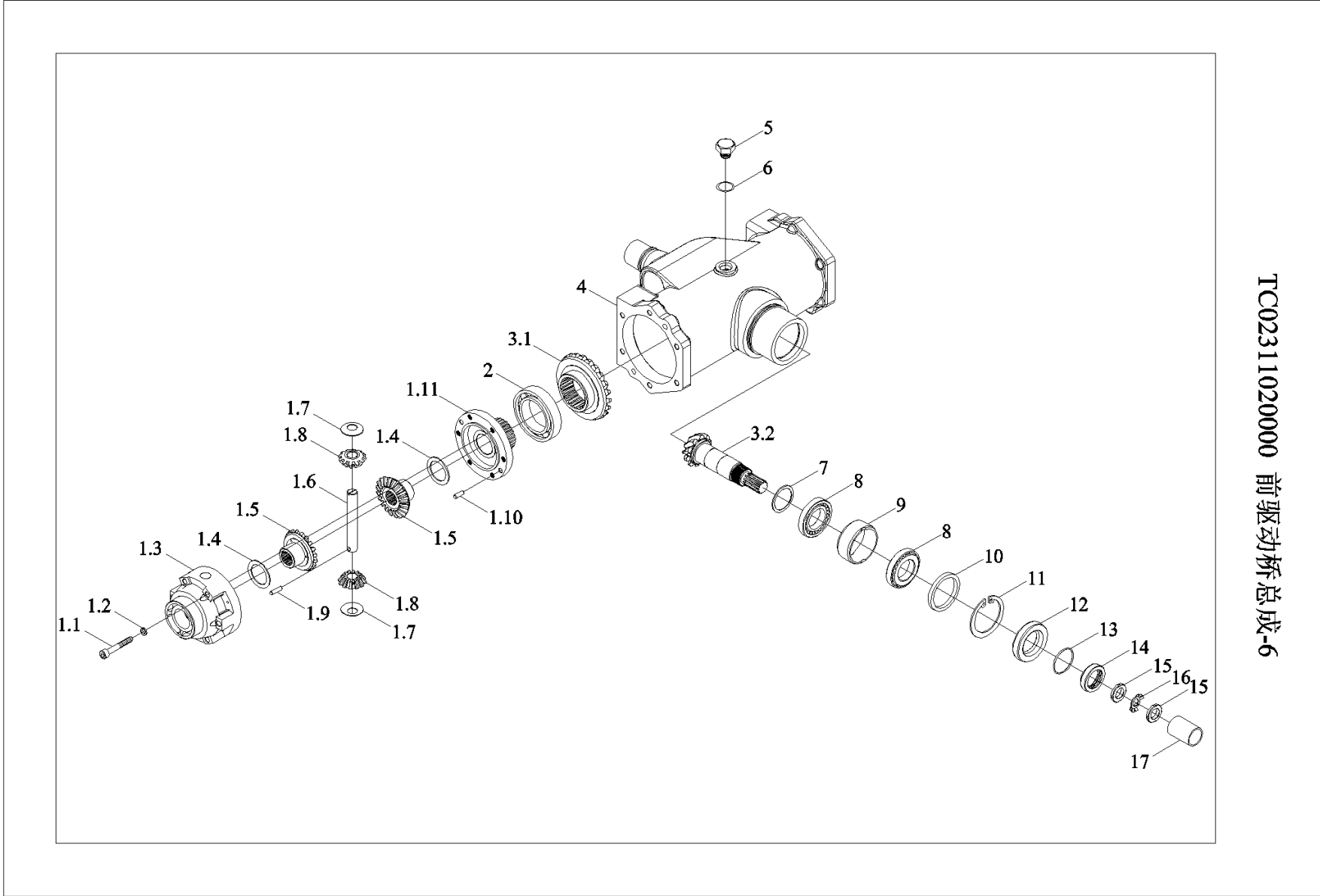
TC02311020000 前驱动桥总成-5





## TC02311020000-5 31.5-前驱动桥总成 FRONT DRIVING AXLE ASSEMBLY

标号 No.	代号 Code	名称 Description	数量 Quantity	备注 Remark
1	TD800.311C.1-01	DUSTPROOF CAP OF OIL CUP	1	2014-04_
1	TD800.311C.1-01	DUSTPROOF CAP OF OIL CUP	1	2014-04_
11	TC02311020018	DRIVEN GEAR	1	2014-04_
13	GBT3452.1-21.2X2.65G	O-SEAL RING	1	2014-04_
15	TC02311020017	DRIVING GEAR	1	2014-04_
16	GBT276-6309	BEARING	1	2014-04_
18	TC02311010073	ADJUSTING WASHER	999	2014-04_
19	GBT893.1-100	SNAP RING	1	2014-04_
2	JB/T 7940.1-M10X1	OIL CUP	1	2014-04_
21	TC02311010040	ADJUSTING GASKET	999	2014-04_
24	TD904.311K.1.6	VENT PLUG	1	2014-04_
3	TC02311010041	CONNECTING COVER	1	2014-04_
5	GBT70.1-M8X25-8.8	SCREW	6	2014-04_
6	GBT93-8-A0P	WASHER	6	2014-04_
9	GBT276-6211	BEARING	1	2014-04_

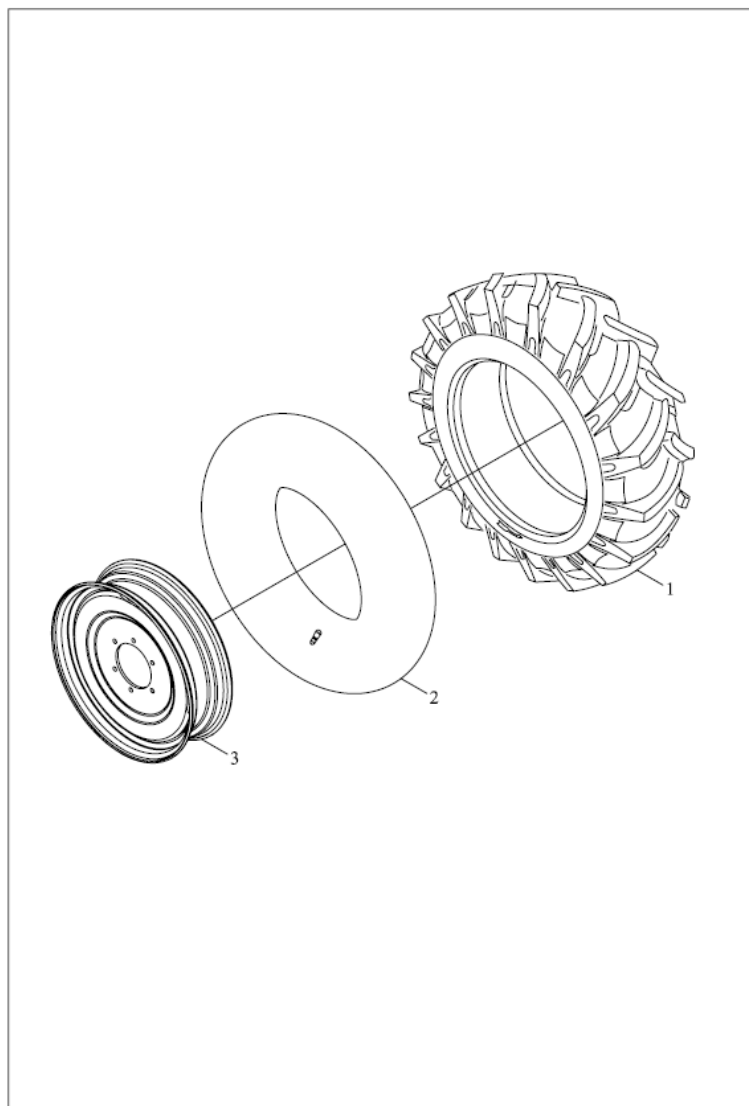


TC02311020000 前驱动桥总成-6

## TC02311020000-6 31.6-前驱动桥总成 FRONT DRIVING AXLE ASSEMBLY

标号 No.	代号 Code	名称 Description	数量 Quantity	备注 Remark
1	TC02311010018	DIFFERENTIAL ASSEMBLY	1	2014-04_
1.1	GBT70.1-M10X70-8.8	SCREW	6	2014-04_
1.10	GBT119.1-8h8X20-A0P	PIN	2	2014-04_
1.11	TC02311010028	DIFFERENTIAL RIGHT HOUSING	1	2014-04_
1.2	GBT93-10	WASHER 10	6	2014-04_
1.3	TC02311010027	DIFFERENTIAL LEFT HOUSING	1	2014-04_
1.4	TC02311010030	HALF SHAFT GEAR WASHER	2	2014-04_
1.5	TC02311010035	HALF SHAFT GEAR	2	2014-04_
11	GBT893.1-80	RETAINER RING FOR HOLE	1	2014-04_
12	GBT9877.1-FB55X80X8D	OIL SEAL	1	2014-04_
13	GBT3452.1-41.2X3.55G	O-SEAL RING	1	2014-04_
2	GBT276-6216	BEARING	2	2014-04_
3.1	TC02311010029	CENTRAL TRANSMISSION BIG SPIRAL BEVEL GEAR	1	2014-04_
3.2	TC02311010020	DRIVING SPIRAL BEVEL GEAR SHAFT	1	2014-04_
6	GBT3452.1-21.2X2.65G	O-SEAL RING	1	2014-04_
8	GBT297-32208	BEARING	2	2014-04_

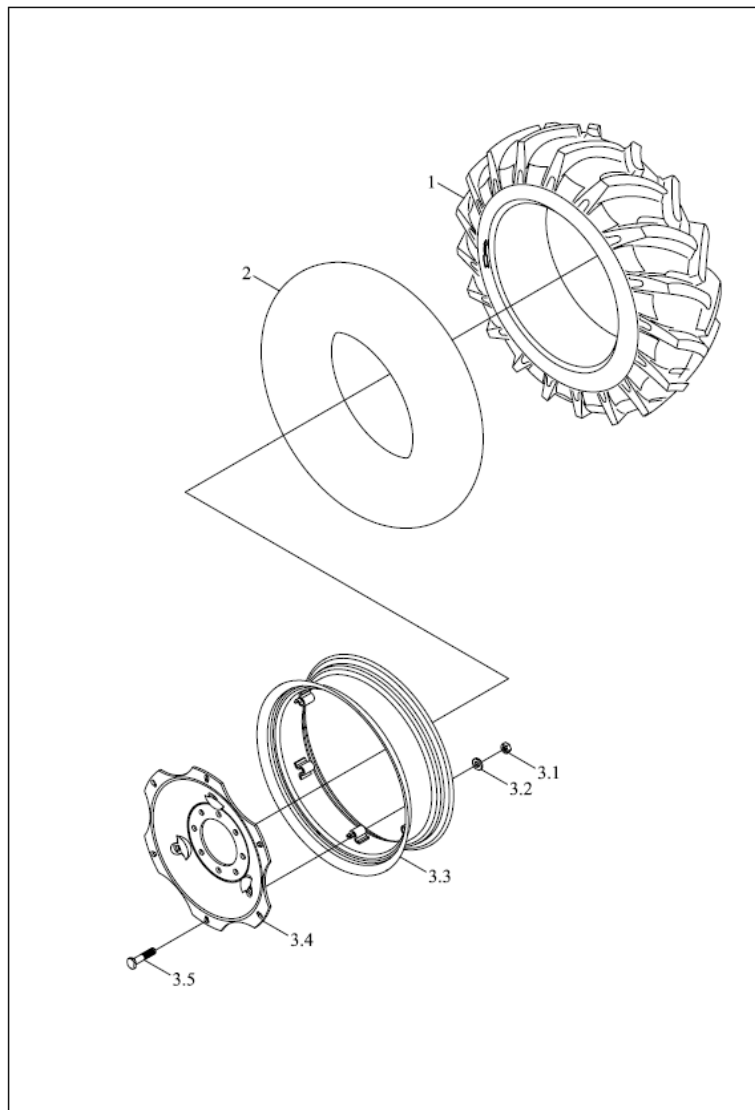
FT404.32F.001 前驱动轮总成



## FT404.32F.001 32-前驱动轮总成 32-FRONT DRIVING WHEEL ASSEMBLY

标号 No.	代号 Code	名称 Description	数量 Quantity	备注 Remark
1	GBT2979-8.3-20-6PR-PR	DRIVING WHEEL OUTER TUBE	1	
2	GBT2979-8.3-20-R	DRIVING WHEEL INNER TUBE	1	2013-02_
3	FT404.32F.011	WHEEL RIM WELD	1	2011-11_

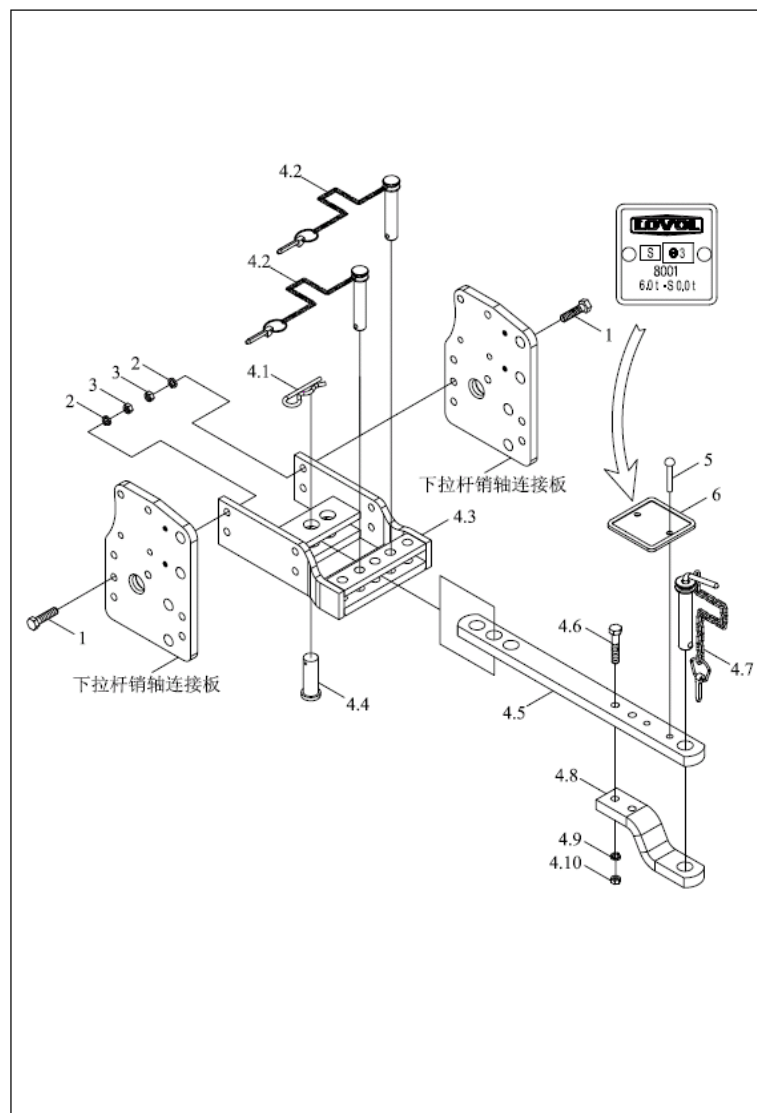
FT400.34F.001 后驱动轮总成



## FT400.34F.001 34-后驱动轮总成 34-REAR DRIVE WHEEL ASSEMBLY

标号 No.	代号 Code	名称 Description	数量 Quantity	备注 Remark
1	GBT2979-12.4-28-8PR-R	DRIVING WHEEL OUTER TUBE	1	2011-11_
2	GBT2979-12.4-28-R	DRIVING WHEEL INNER TUBE	1	2011-11_
2	GBT2979-12.4-28-R	DRIVING WHEEL INNER TUBE	1	2011-11_
3	FT400.34F.011	RIM ASSEMBLY	1	2011-11_
3.1	GBT6171-M16X1.5-A3L	NUT	6	2011-11_
3.2	FT300.34.106	WASHER	6	2011-11_
3.3	FT400.34F.012	WHEEL RIM WELD	1	2011-11_
3.4	FT400.34.103b	SPOKE	1	2011-11_
3.5	FT300.34.102	RIM BOLT	6	2011-11_

TB400.35 总牵引机构总成

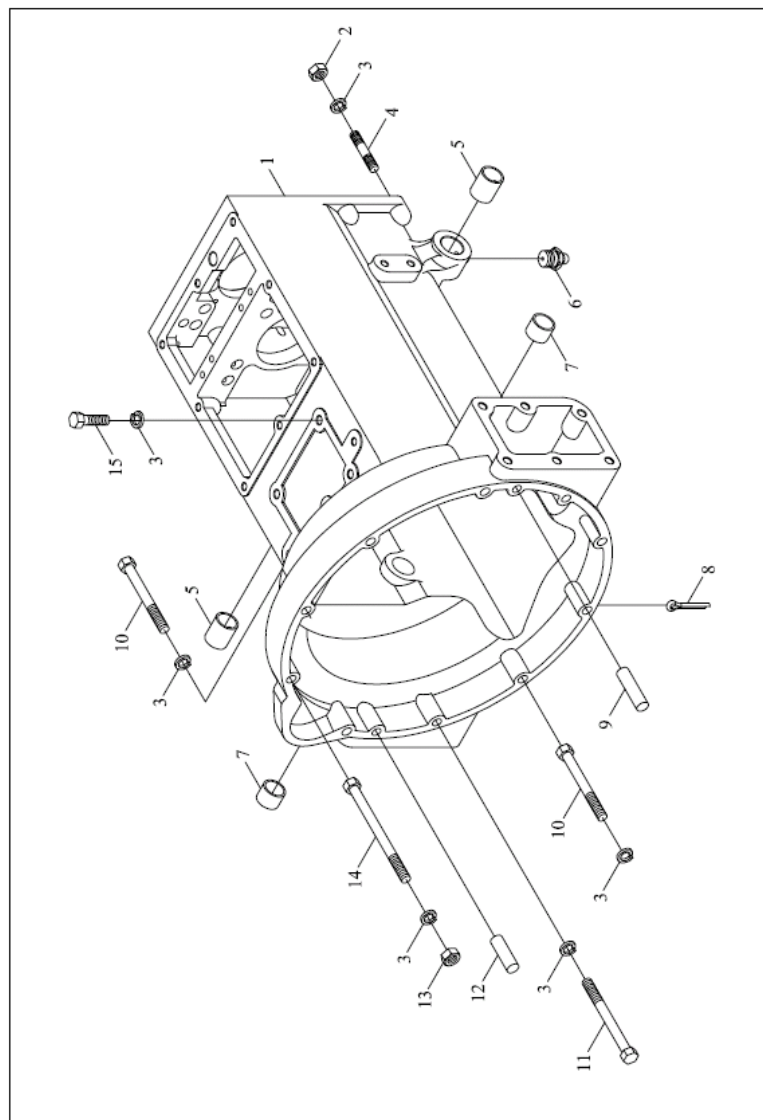




## TB400.35 35-总牵引机构总成 35-MAIN TRACTION MECHANISM ASSEMBLY

标号 No.	代号 Code	名称 Description	数量 Quantity	备注 Remark
1	GBT5783-M16X60-A3L	BOLT	8	2011-11_
2	GBT93-16-A0P	SPRING WASHER	8	2011-11_
3	GBT6171-M16-A3L	NUT	8	2011-11_
4	TB400.35.1	TRACTION DEVICE ASSEMBLY	1	2011-11_
4.1	FT65.53.103	SPRING LOCK PIN	1	2011-11_
4.10	GBT6170-M16-A3L	NUT	2	2011-11_
4.2	TB400.35.1.1	LIMITING PIN AND LOCK PIN ASSEMBLY	2	2011-11_
4.3	FT300.35A.012a	TRACTION FRAME	1	2011-11_
4.4	FT300.35A.103	CONNECTING PIN	1	2011-11_
4.5	TB400.35.1-01	UPPER PART U-HOOK	1	2011-11_
4.6	TB400.35.1-03	BOLT	2	2004-01_
4.7	TB400.35.1.2	TOWING PIN AND LOCK PIN ASSEMBLY	1	2011-11_
4.8	TB400.35.1-02	CONNECTING SWING ROD	1	2011-11_
4.9	GBT93-16-A0P	SPRING WASHER	2	2011-11_
5	GBT827-3X8	SCUTCHEON RIVET	2	2011-11_
6	TB400.35-01	TOWING SIGN PLATE	1	2011-11_

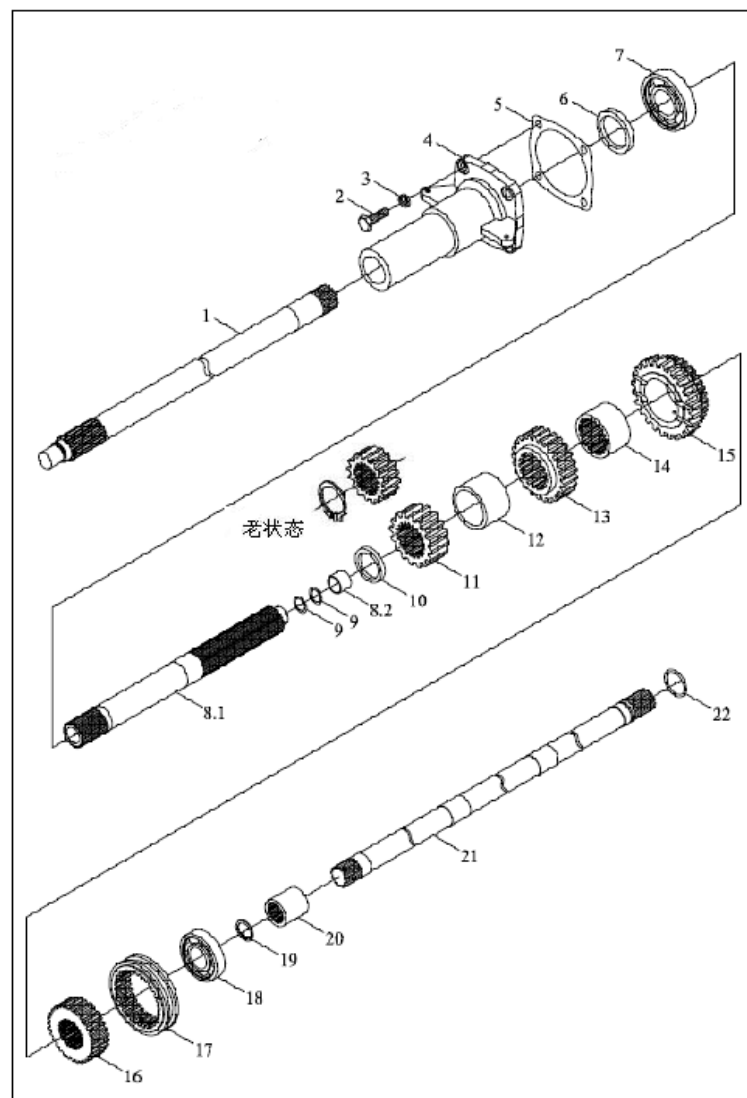
TB400.371B Transmission housing assembly



## TB400.371B 37.1-变速箱壳体总成 37.1-GEARBOX HOUSING ASSEMBLY

标号 No.	代号 Code	名称 Description	数量 Quantity	备注 Remark
1	FT300.37.101b	GEAR BOX	1	2006-12_
1	TB400.371E-01	GEAR BOX	1	2007-12_
1	FT300.37.101b	GEAR BOX	1	2006-12_
10	TB550.371-01	BOLT	3	2006-12_
11	GBT5782-M12X110-A2L	BOLT	1	
12	GBT119.1-12m6X22-A0P	PIN	1	2011-11_
13	GBT6170-M12-A3L	NUT	3	2011-11_
14	GBT5783-M12X40-A3L	BOLT	1	
15	GBT5783-M12X35-A3L	BOLT	4	2011-11_
15	GBT5783-M12X35-A3L	BOLT	4	2011-11_
2	GBT6171-M12X1.5-A3L	NUT	10	
3	GBT93-12-A0P	SPRING WASHER	24	2011-11_
4	GBT899-AM12-M12X1.5X35-8.8-A3L	8.8-A3L STUD	10	2011-11_
5	FT300.37.158	PEDAL SHAFT BUSH	2	2011-11_
6	JBT7940.1-M10X1	STRAIGHT PRESSURE FILLING OIL CUP	2	2011-11_
7	FT300.37.159	RELEASE FORK SHAFT BUSH	2	2011-11_
8	GBT91-6.3X40-A0P	PIN	1	2011-11_
9	GBT119.1-12m6X30-A0P	PIN	3	2011-11_
9	GBT119.1-12m6X30-A0P	PIN	3	2011-11_

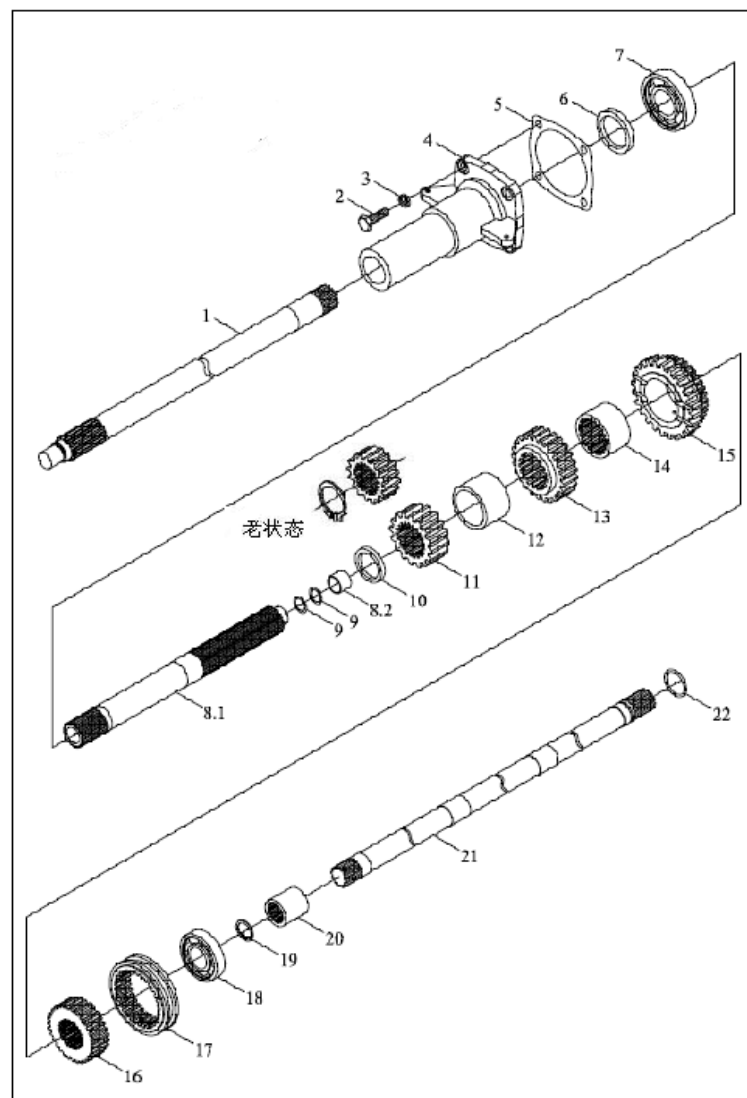
TB400.372D 主变速总成-1



## TB400.372D-1 37.2.1-主变速总成-1 MAIN TRANSMISSION ASSEMBLY-1

标号 No.	代号 Code	名称 Description	数量 Quantity	备注 Remark
1	FT400.37B.201	AUXILIARY CLUTCH SHAFT	1	2011-11_
10	TB550.372-18	I GEAR SPACER	1	2004-01_
10	GBT894.1	BLCKING RING	1	2011-11_
11	FT300.37B.126a	I DRIVING GEAR	1	2008-08_
11	FT300.37B.126	I DRIVING GEAR	1	2004-01_
12	FT300.37B.127a	I-II GEAR SPACER	1	2007-04_
12	TB550.372-19	I-II GEAR SPACER	1	2008-08_
12	FT300.37B.127	I-II GEAR SPACER	1	2004-01_
13	FT300.37.128	II DRIVING GEAR	1	2011-11_
14	FT300.37.130	III GEAR BUSH	1	2011-11_
15	FT300.37.131a	III DRIVING GEAR	1	2011-11_
16	FT300.37.132	III-IV ENGAGING GEAR SEAT	1	2011-11_
17	FT300.37.134a	III-IV SHIFT COLLAR	1	2011-11_
18	GBT276-6007	BEARING	1	2011-11_
19	GBT893.1-21	SNAP RING	1	2011-11_
2	GBT5783-M8X25-A2L	BOLT	4	2011-11_
20	FT300.37.136	CONNECTING SLEEVE	1	2011-11_
21	FT300.37J.137	PTO CONNECTING SHAFT	1	2011-11_
22	GBT895.2-24	SNAP RING	1	2011-11_
3	GBT93-8	WASHER 8	4	2011-11_
4	FT300.37B.124	SHAFT I BEARING COVER	1	2011-11_
5	FT300.37B.125	SHAFT I BEARING COVER PAPER GASKET	1	2011-11_
6	GBT9877.1-FB40X62X8D	O RING	1	2011-11_
7	GBT276-6208	BEARING	1	2011-11_
8	FT300.37B.021a	SHAFT I UNIT	1	2008-08_

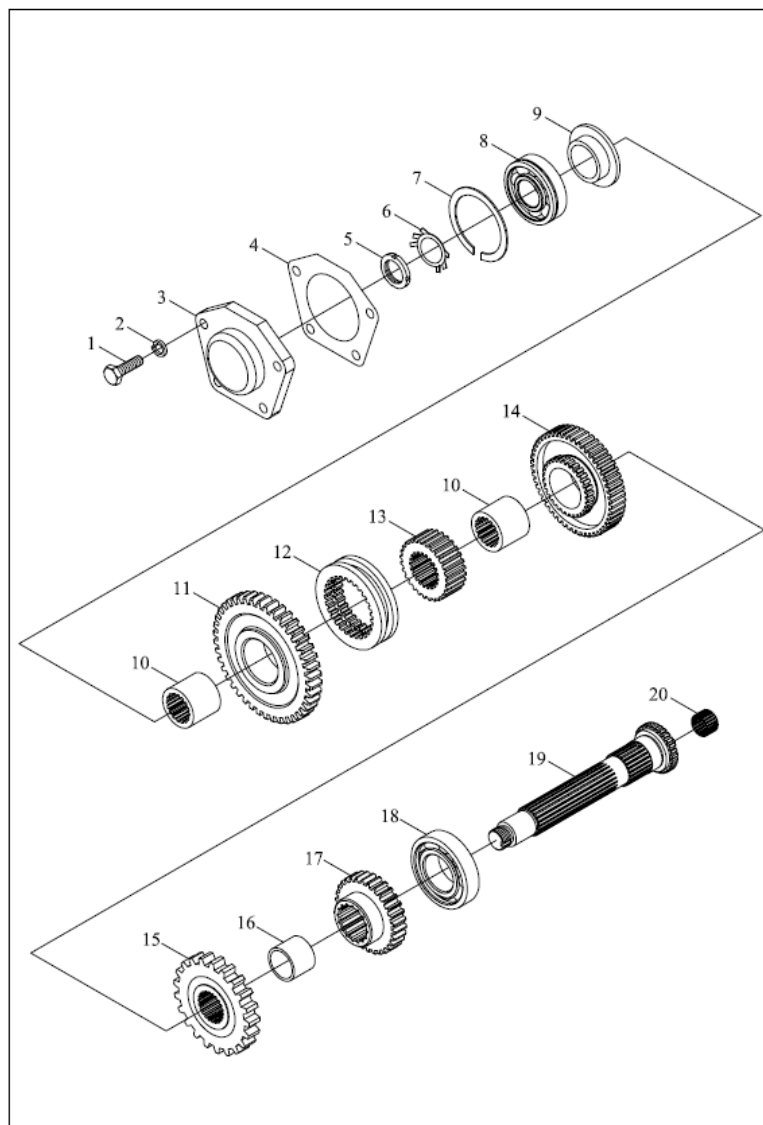
TB400.372D 主变速总成-1



## TB400.372D-1 37.2.1-主变速总成-1(续)

标号 No.	代号 Code	名称 Description	数量 Quantity	备注 Remark
8	FT300.37B.021a	SHAFT I UNIT	1	2008-08_
8	FT300.37B.021	SHAFT I UNIT	1	2004-01_
8.1	FT300.37B.202a	SHAFT I	1	2008-08_
8.1	FT300.37B.202	SHAFT I	1	2004-01_
8.2	FT300.37.170	SLEEVE	1	2011-11_
9	GBT3452.1-23.6X1.80G	O-SEAL RING	2	2011-11_

TB400.372D Main transmission assembly-2

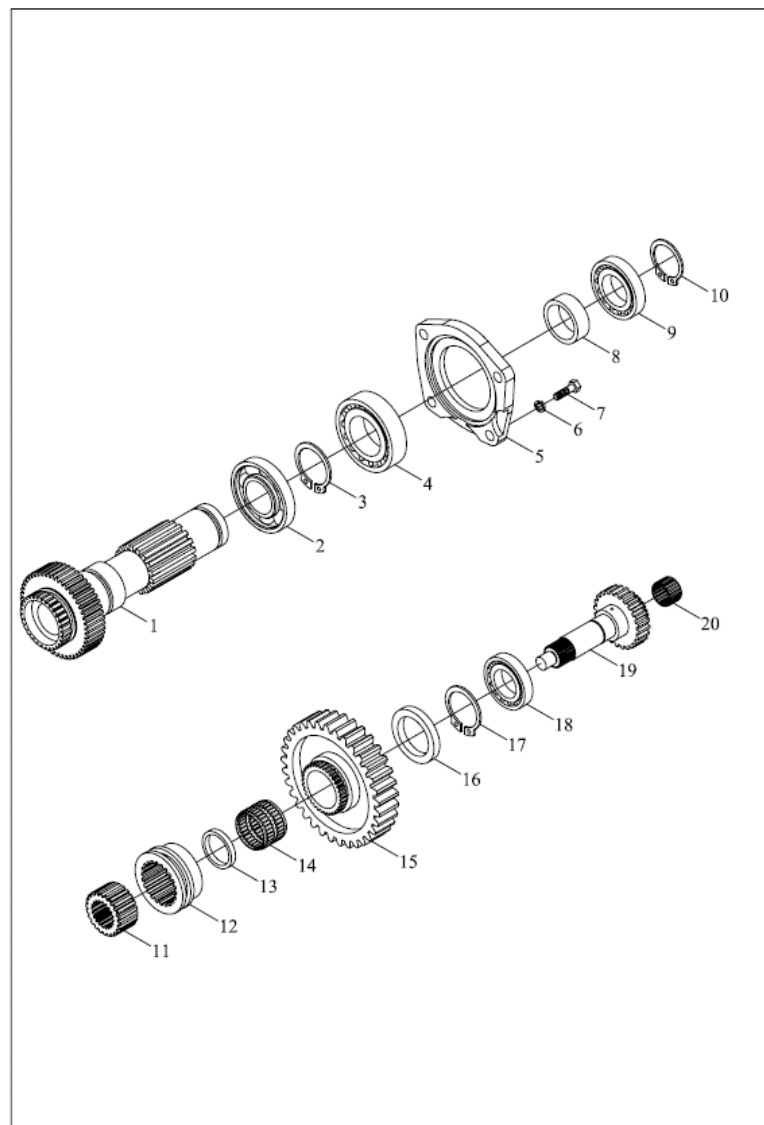




## TB400.372D-2 37.2.2-主变速总成-2 MAIN TRANSMISSION ASSEMBLY-2

标号 No.	代号 Code	名称 Description	数量 Quantity	备注 Remark
1	GBT5783-M8X25-A2L	BOLT	4	2011-11_
10	FT300.37.114	I-II GEAR BUSH	2	2011-11_
11	FT300.37.117	I DRIVEN GEAR	1	2004-01_
11	FT300.37.117a	I DRIVEN GEAR	1	2011-06_
12	FT300.37.115a	I-II SHIFT COLLAR	1	2011-06_
12	FT300.37.115	I-II SHIFT COLLAR	1	2004-01_
13	FT300.37.116	I-II ENGAGING TOOTH SEAT	1	2011-11_
14	FT300.37.113a	II DRIVEN GEAR	1	2011-06_
14	FT300.37.113	II DRIVEN GEAR	1	2004-01_
15	FT300.37.112	III DRIVEN GEAR	1	2011-11_
16	FT300.37.110	III-IV GEAR SPACER	1	2011-11_
17	FT300.37.108a	IV DRIVEN GEAR	1	2011-11_
18	GBT276-6208	BEARING	1	2011-11_
19	FT300.37.109a	SHAFT II	1	2011-11_
2	GBT93-8	WASHER 8	4	2011-11_
20	JBT7918-K20X26X20	NEEDLE AND CARRIER UNIT	1	2011-11_
3	FT300.37.120	SHAFT II BEARING COVER	1	2011-11_
4	FT300.37.119	SHAFT II BEARING COVER PAPER GASKET	1	2011-11_
5	GBT812-M24X1.5	ROUND NUT	1	2011-11_
6	GBT858-24	THRUST RING	1	2011-11_
7	GBT305-72/78.6	PLATE;THRUST	1	2004-01_
8	GBT276-6306N	BEARING	1	2011-11_
9	FT300.37.118	SHAFT II END RETAINER RING	1	2011-11_

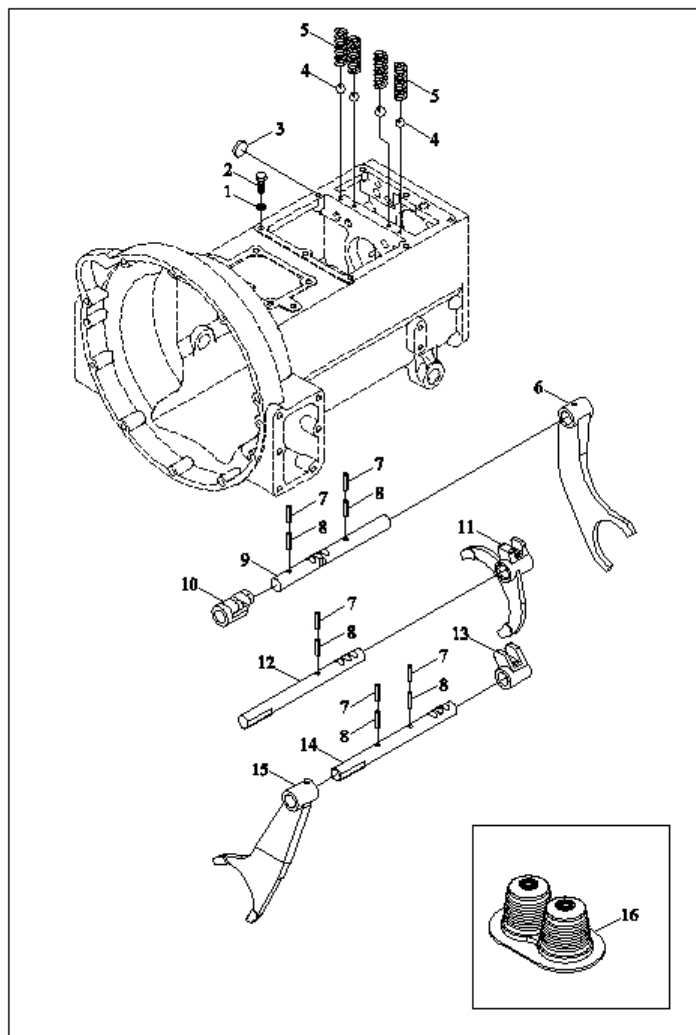
TB450.373BAuxiliary transmission assembly



## TB450.373B 37.3-副变速总成 37.3-AUXILIARY GEARSHIFT ASSEMBLY

标号 No.	代号 Code	名称 Description	数量 Quantity	备注 Remark
1	FT300.37J.169a	AUXILIARY GEARSHIFT DRIVING GEAR SHAFT	1	2011-11_
10	GBT894.1-40	WASHER 40	1	2011-11_
11	FT300.37.106a	REVERSE GEAR MESHING SEAT	1	2011-11_
12	FT300.37J.105	AUXILIARY GEARSHIFT SLEEVE	1	2011-11_
12	FT300.37J.105	AUXILIARY GEARSHIFT SLEEVE	1	2011-11_
13	FT300.37.111	SPACER BUSH	1	2011-11_
14	QSFZB019-K35X43X34ZW	NEEDLE BEARINGS	1	2011-11_
15	FT300.37.103	AUXILIARY GEARSHIFT DRIVEN GEAR	1	2004-01_
15	FT450.37.103	AUXILIARY GEARSHIFT DRIVEN GEAR	1	2007-04_
16	FT300.37J.182	LIMITING RETAINER RING	1	2004-01_
16	FT300.37J.182a	LIMITING RETAINER RING	1	2007-04_
17	GBT894.1-35	SNAP RING	1	2011-11_
18	GBT283-NUP307E	BEARING	1	2011-11_
19	TB450.37J-01	AUXILIARY GEARSHIFT DRIVEN SHAFT	1	2011-11_
2	GBT276-6210	BEARING	1	2011-11_
20	JBT7918-K25X31X20	NEEDLE AND CARRIER UNIT	1	2011-11_
3	GBT894.1-50	SNAP RING	1	2011-11_
4	GBT283-NUP308E	BEARING	1	2011-11_
5	FT300.37.139	AUXILIARY GEARSHIFT BEARING COVER	1	2011-11_
6	GBT93-10-A0P	WASHER	4	2011-11_
7	GBT5783-M10X30-A2L	BOLT	4	2011-11_
8	FT300.37J.180	SPACER BUSH	1	2011-11_
9	GBT283-NF208E	BEARING	1	2011-11_

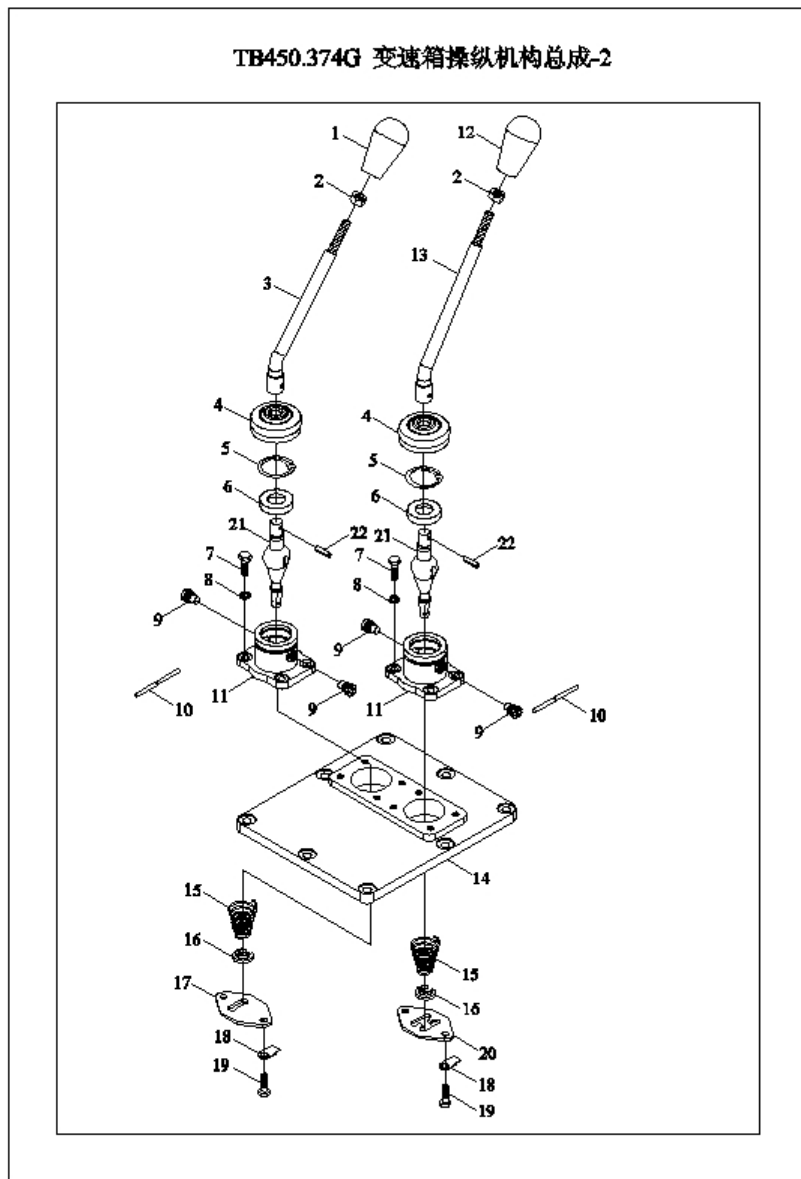
TB450.374G 变速箱操纵机构总成-1



## TB450.374G-1 37.4.1-变速箱操纵机构总成-1 37.4TRANSMISSION CONTROL MECHANISM ASSEMBLY-1

标号 No.	代号 Code	名称 Description	数量 Quantity	备注 Remark
1	GBT93-10	WASHER 10	8	2012-05_
10	FT300.37.154	AUXILIARY GEARSHIFT DIAL HEAD	1	2012-05_
11	FT300.37.147	III-IV FORK	1	2012-05_
12	FT300.37.150	III-IV FORK SHAFT	1	2012-05_
13	FT300.37.152	I-II GEAR FORK HEAD	1	2012-05_
14	FT300.37.149	I-II GEAR FORK SHAFT	1	2012-05_
15	FT300.37.148	I-II GEAR FORK	1	2012-05_
16	TB450.374B-01	GEARLEVER DUSTPROOF BONNET	1	2012-05_
2	GBT5783-M10X30-A3L	BOLT	8	2012-05_
3	Q72114	PLUG PIECE	1	2012-05_
4	GBT308-8-G100-B	BALL	4	2012-05_
5	FT300.37.135	FORK SHAFT LOCATING SPRING	4	2012-05_
6	FT300.37.145	AUXILIARY GEARSHIFT FORK	1	2012-05_
7	GBT879.1-3X24	PIN	5	2012-05_
8	GBT879.1-5X24	PIN	5	2012-05_
9	FT300.37.156	AUXILIARY GEARSHIFT FORK SHAFT	1	

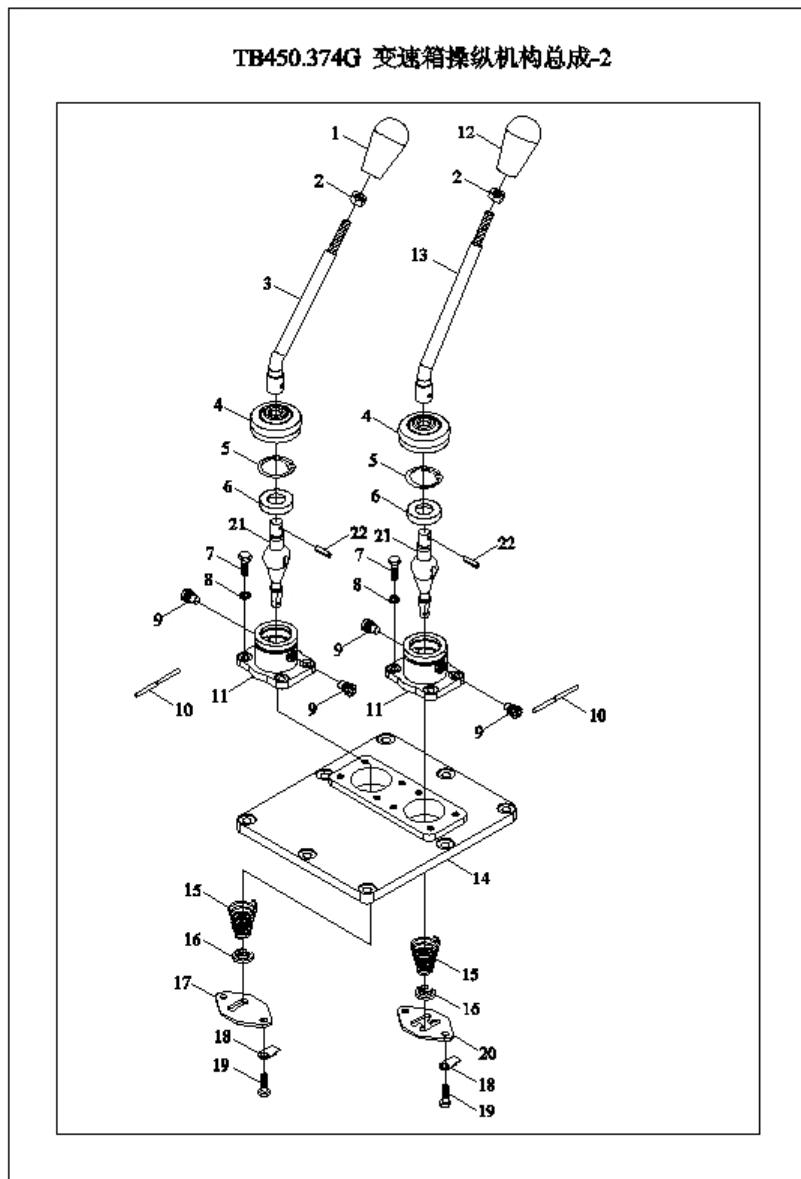
TB450.374G 变速箱操纵机构总成-2



## TB450.374G-2 37.4.2-变速箱操纵机构总成-2 37.4TRANSMISSION CONTROL MECHANISM ASSEMBLY-2

标号 No.	代号 Code	名称 Description	数量 Quantity	备注 Remark
0.5	TB450.374G.1	GEAR BOX COVER ASSEMBLY	1	2012-05_
1	FT300.37J.016	AUXILIARY GEARSHIFT CONTROL HANDLE ASSEMBLY	1	2012-05_
10	TF1004.374-02	LOW CARBON STEEL WIRE	2	2012-05_
11	FT300.37.180	GEARLEVER SEAT	2	2012-05_
12	FT300.37.015	MAIN GEARSHIFT CONTROL HANDLE ASSEMBLY	1	2012-05_
13	TB450.374B.1.1	MAIN GEARLEVER WELDMENT	1	2012-05_
14	FT300.37.163a	GEARBOX UPPER COVER	1	2012-05_
15	FT300.37.165	GEARLEVER SPRING	2	2012-05_
15	FT300.37.165	GEARLEVER SPRING	2	2012-05_
16	FT300.37.164	GEARLEVER SPRING RETAINER RING	2	2012-05_
17	FT300.37J.161	AUXILIARY GAR GUIDE PLATE	1	2012-05_
18	GBT854-8	WASHER	4	2012-05_
19	GBT5783-M8X16-A2L	BOLT	4	2012-05_
2	GBT6172.1-M10-A2L	NUT	2	2012-05_
20	FT300.37.162	MAIN GEARSHIFT GUIDE PLATE	1	2012-05_
21	TB450.374B.1-01	LOWER CONTROL ROD	2	2012-05_
22	GBT879.1-6X28	PIN	2	2012-05_
22	GBT879.1-6X28	PIN	2	2012-05_
3	TB520.374A.1.1	ASSISTANT GEARLEVER WELDMENT	1	2012-05_
4	FT300.37.166a	GEARLEVER DUSTPROOF BONNET	2	2012-05_
5	GBT893.1-40	RETAINER RING	2	2012-05_
6	FT800A.37.305	NYLON SEAT	2	2012-05_
7	GBT5781-M8X20-A2L	BOLT	8	2012-05_
7	GBT5781-M8X20-A2L	BOLT	8	2012-05_
8	GBT93-8-A0P	WASHER	8	2012-05_

TB450.374G 变速箱操纵机构总成-2

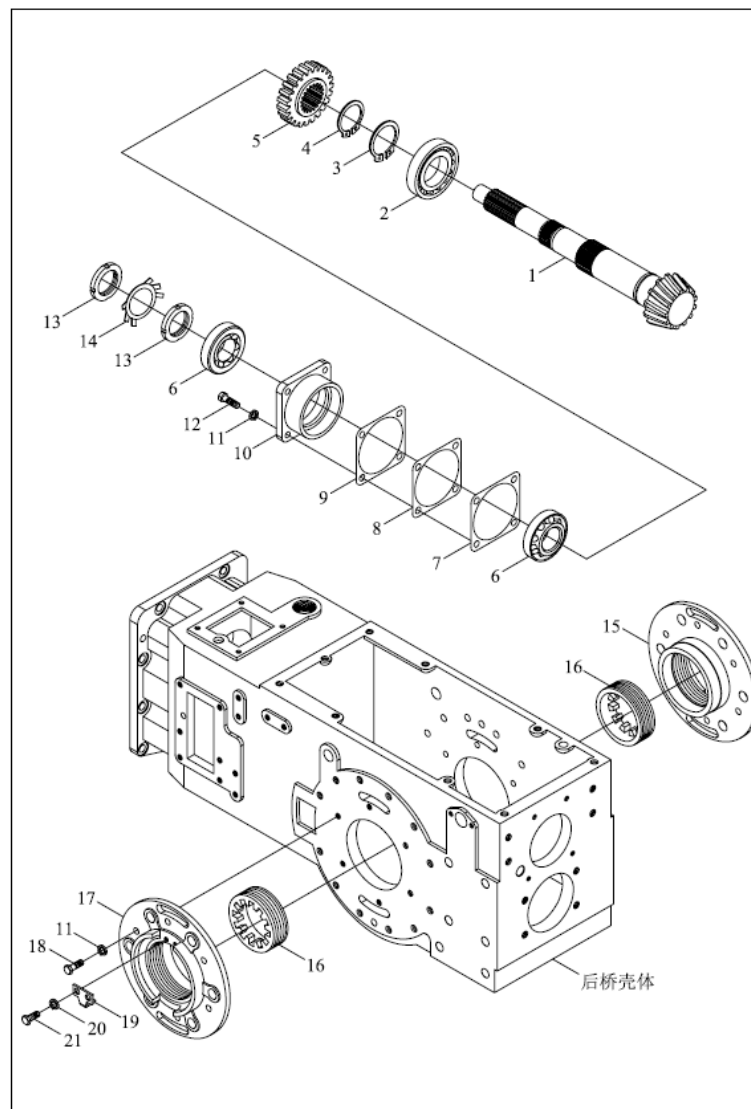




## TB450.374G-2 37.4.2-变速箱操纵机构总成-2(续)

标号 No.	代号 Code	名称 Description	数量 Quantity	备注 Remark
9	FT800A.37.326	GEARLEVER LOCATING PIN	4	2012-05_

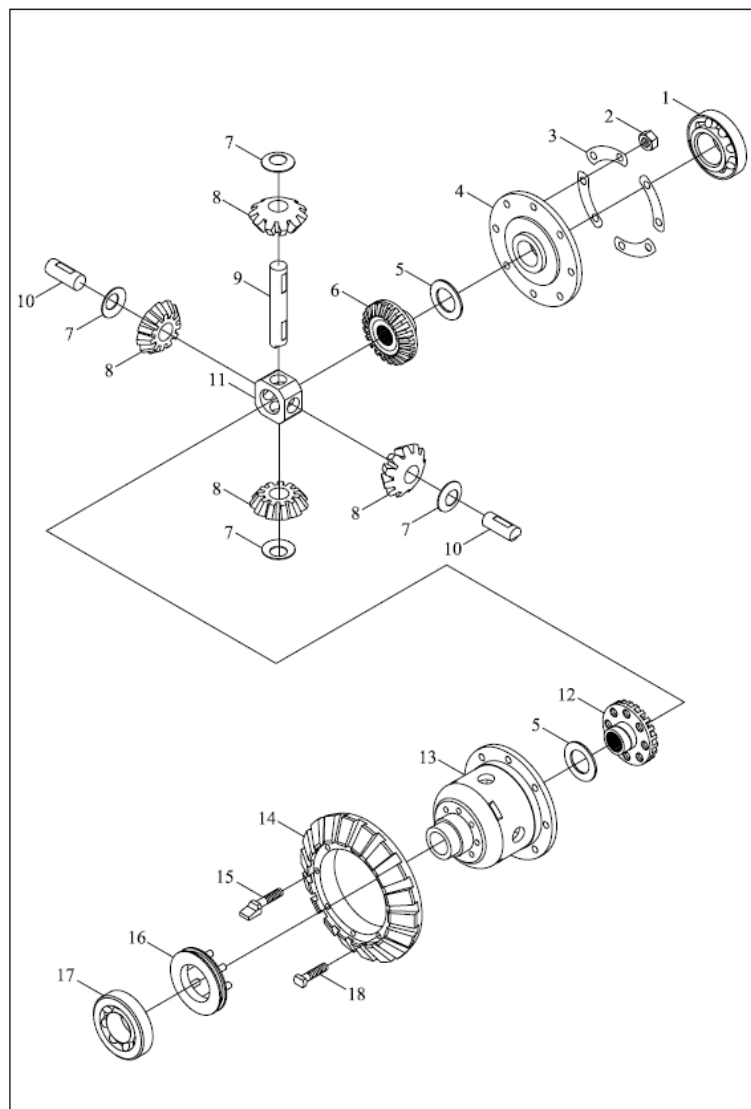
TB504.382 后桥中央传动总成-1



## TB504.382-1 38.2.1-后桥中央传动总成-1 REAR AXLE CENTRAL TRANSMISSION ASSEMBLY-1

标号 No.	代号 Code	名称 Description	数量 Quantity	备注 Remark
1	TB450.38J-05	SMALL TAPER GEAR SHAFT	1	2011-11_
10	FT300.38.117	BEARING SEAT	1	2011-11_
11	GBT93-10-A0P	WASHER	16	2011-11_
12	GBT5783-10X30-A3L	BOLT	4	2011-11_
13	GBT812-M39X1.5	ROUND NUT	2	2011-11_
14	GBT858-39	THRUST RING	1	
15	FT300.38.177	RIGHT DIFFERENTIAL BEARING SEAT	1	2011-11_
16	FT300.38.151	ADJUSTING NUT	2	2011-11_
17	FT300.38.142	LEFT DIFFERENTIAL BEARING SEAT	1	2011-11_
18	GBT5783-10X25-A3L	BOLT	12	2011-11_
19	FT300.38.161	LOCK SHIM	2	2011-11_
2	GBT283-NUP2210E	BEARING	1	2011-11_
20	GBT93-8-A0P	WASHER	4	2011-11_
21	TB554.382-01	BOLT	4	
3	GBT894.1-50	SNAP RING	1	2011-11_
4	GBT894.1-48	RETAINER RING	1	2011-11_
5	FT404.38G.116	FRONT DRIVE OUTPUT GEAR	1	2011-11_
6	GBT297-32208	BEARING	2	2011-11_
7	FT300.38.118	TAPER GEAR SHAFT ADJUSTING GASKET	999	2011-11_
8	FT300.38.119	TAPER GEAR SHAFT ADJUSTING GASKET	999	2011-11_
9	FT300.38.120	TAPER GEAR SHAFT ADJUSTING GASKET	999	2011-11_

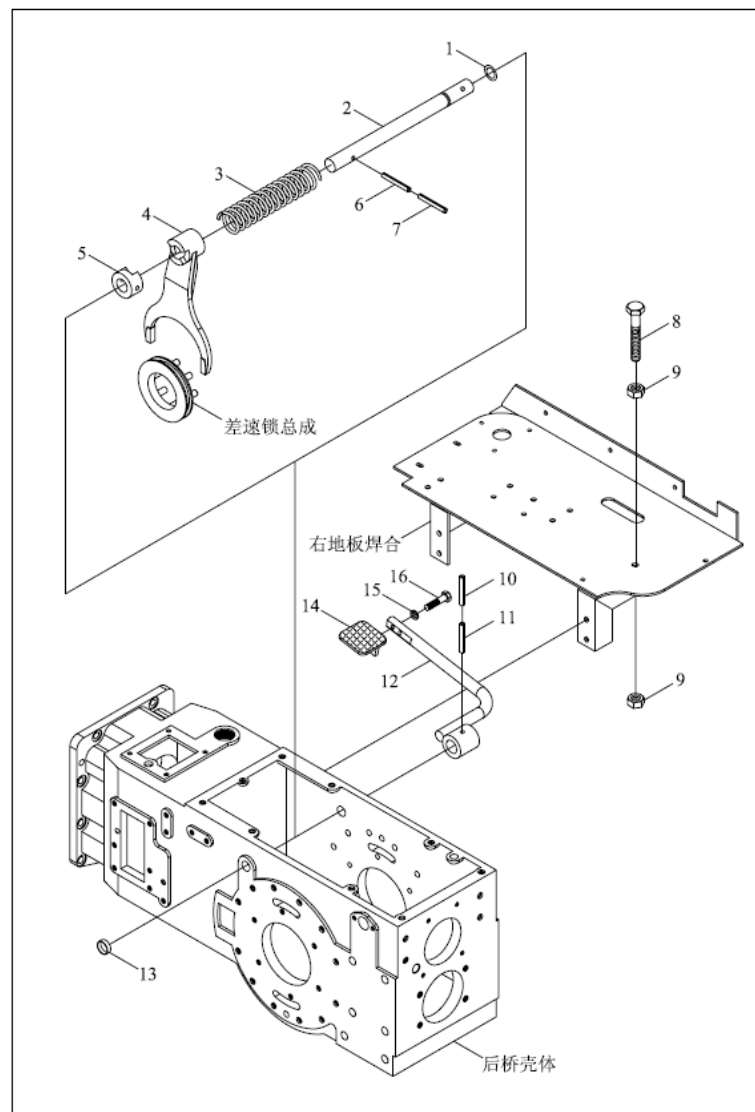
TB504.382 后桥中央传动总成-2



## TB504.382-2 38.2.2-后桥中央传动总成-2 REAR AXLE CENTRAL TRANSMISSION ASSEMBLY-2

标号 No.	代号 Code	名称 Description	数量 Quantity	备注 Remark
0	FT300.38.012	DIFFERENTIAL ASSEMBLY	1	2011-11_
1	GBT297-32013	BEARING	1	2011-11_
10	FT300.38.183	SHORT PLANETARY GEAR SHAFT	2	2011-11_
11	FT300.38.184	CENTRAL RING	1	2011-11_
12	FT300.38.143	LEFT HALF SHAFT GEAR	1	2011-11_
13	FT300.38.180	DIFFERENTIAL HOUSING	1	2011-11_
14	FT300.38.141	BIG TAPER GEAR	1	2011-11_
15	FT300.38.185	PLANET GEAR SHAFT THRUST BOLT	4	2011-11_
16	FT300.38.019	DIFFERENTIAL LOCK ASSEMBLY	1	2011-11_
16	FT300.38.019	DIFFERENTIAL LOCK ASSEMBLY	1	2011-11_
17	GBT297-30211	BEARING	1	2011-11_
18	FT300.38.186	FIXING BOLT	4	2011-11_
2	GBT6170-M12-A3L	NUT	8	2011-11_
3	FT300.38.152	LOCKING WASHER	4	2011-11_
4	FT300.38.181	DIFFERENTIAL HOUSING	1	2011-11_
4	FT300.38.181	DIFFERENTIAL HOUSING	1	2011-11_
5	FT300.38.147	HALF SHAFT GEAR WASHER	2	2011-11_
6	FT300.38.144	RIGHT HALF SHAFT GEAR	1	2011-11_
7	FT300.38.148	PLANET GEAR WASHER	4	2011-11_
8	FT300.38.145	PLANETARY GEAR	4	2011-11_
8	FT300.38.145	PLANETARY GEAR	4	2011-11_
9	FT300.38.182	LONG PLANETARY GEAR SHAFT	1	2011-11_

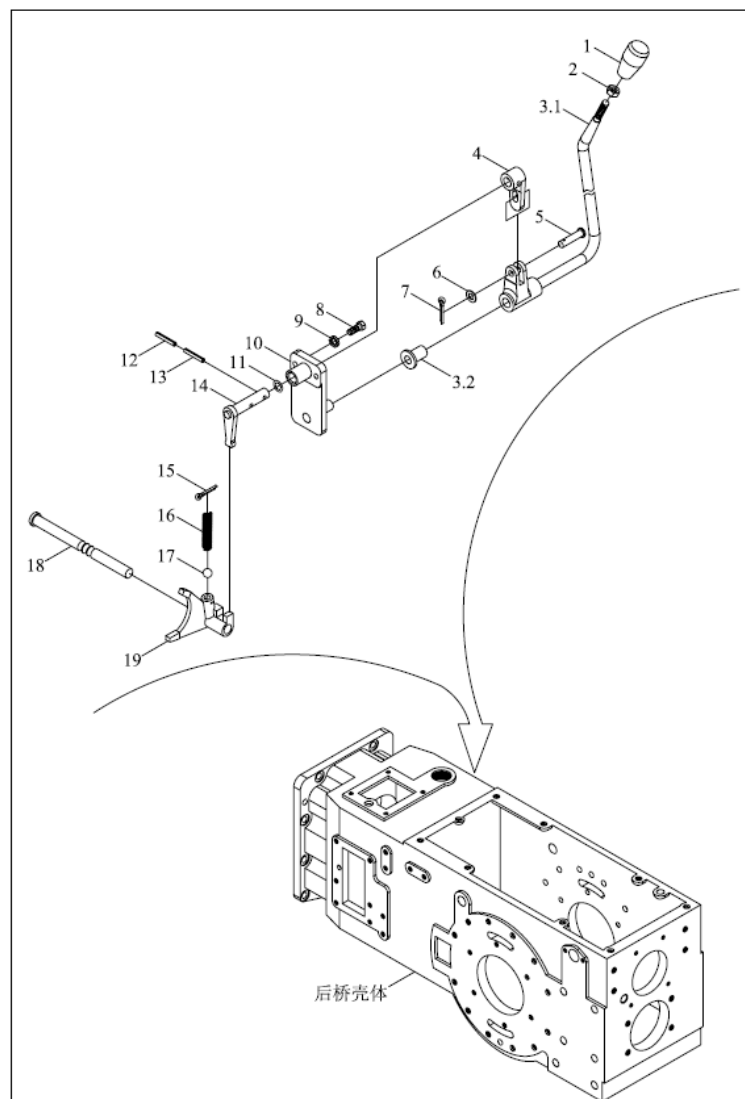
TB554.383A 差速器操纵机构总成



## TB554.383A 38.3-差速锁操纵机构总成 38.3-DIFFERENTIAL LOCK CONTROL MECHANISM ASSEMBLY

标号 No.	代号 Code	名称 Description	数量 Quantity	备注 Remark
1	GBT3452.1-15.0X2.65G	O-SEAL RING	1	2011-11_
10	GBT879.1-6X35	PIN	1	2011-11_
11	GBT879.2-3.5X35	PIN	1	2011-11_
12	TB554.383A.2	DIFFERENTIAL LOCK PEDAL LEVER WELDMENT	1	2004-01_
13	Q72220	PLUG PIECE	1	2011-11_
14	TB554.383A.1	DIFFERENTIAL LOCK PEDAL WELDMENT	1	2004-01_
14	TB554.383A.4	DIFFERENTIAL LOCK PEDAL LEVER WELDMENT	1	2010-03_
15	GBT93-6-A0P	SPRING WASHER	2	2011-11_
16	GBT5783-M6X25-8.8-A2L	BOLT	2	2011-11_
2	FT300.38.158a	DIFFERENTIAL LOCK FORK SHAFT	1	2011-11_
3	FT300.38.160	DIFFERENTIAL LOCK RETURN SPRING	1	2011-11_
4	FT300.38.159a	DIFFERENTIAL LOCK FORK	1	2011-11_
5	FT300.38.190	DIFFERENTIAL LOCK DIAL BLOCK	1	2011-11_
6	GBT879.1-6X40	SPRING COLUMN PIN	1	2011-11_
7	GBT879.2-3.5X40	PIN	1	2011-11_
8	GBT5781-M8X45-A2L	BOLT	1	2011-11_
9	GBT6170-M8-A2L	NUT	2	2011-11_
	TB554.383A.3	DIFFERENTIAL LOCK DOWN PEDAL WELDMENT	1	2010-03_

TB554.385 梭式换档机构总成

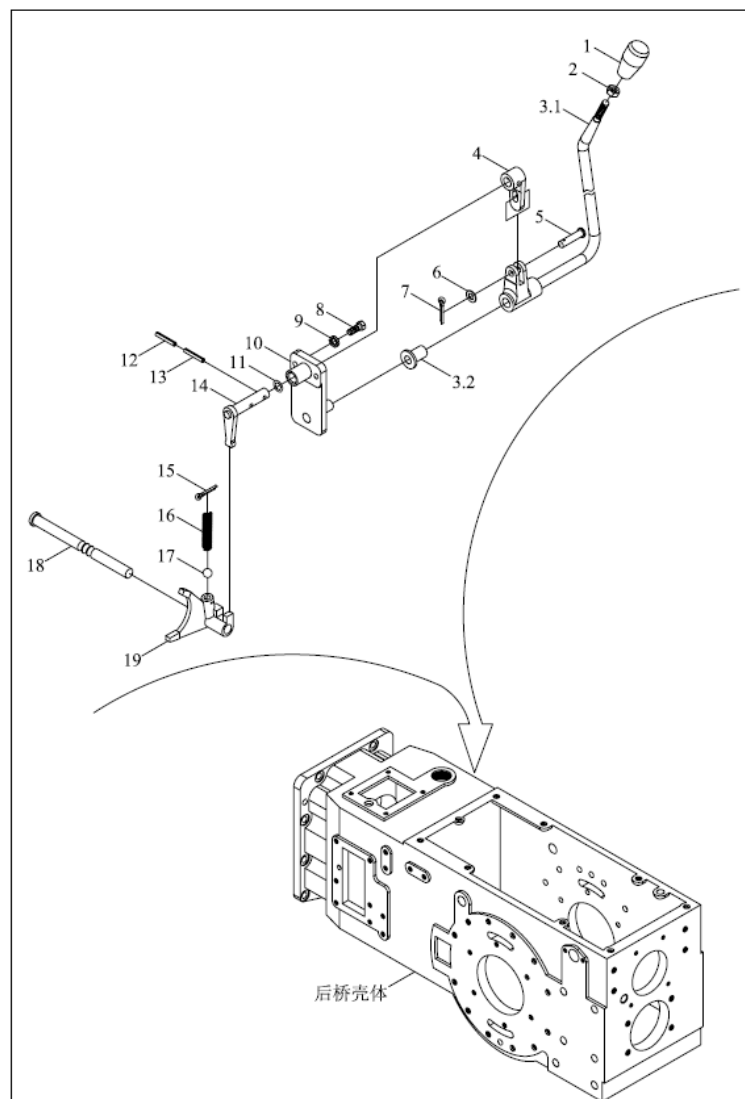




## TB554.385 38.5-梭式换档机构总成 38.5-SHUTTLE SHIFT MECHANISM ASSEMBLY

标号 No.	代号 Code	名称 Description	数量 Quantity	备注 Remark
1	FT300.41.015	PTO CONTROL HANDLE ASSEMBLY	1	2011-11_
10	TB554.385.3a	LEVER BUSH WELDMENT	1	2010-01_
10	TB554.385.3	LEVER BUSH WELDMENT	1	2011-11_
11	GBT3452.1-16.0X2.65G	O-SEAL RING	1	2011-11_
12	GBT879.1-6X28	PIN	1	2011-11_
12	GBT879.1-6X28	PIN	1	2011-11_
13	GBT879.2-3.5X28	PIN	1	2011-11_
14	TB554.385.2	FINGER LEVER WELDMENT	1	2008-09_
14	FT300.38J.023c	FINGER LEVER WELDMENT	1	2007-10_
15	GBT91-4X32-A0P	PIN	1	2011-11_
16	FT704.42B.163	FORK SHAFT LOCATING SPRING	1	2011-11_
17	GBT308-9.5-G100-b	BALL	1	2011-11_
18	FT300.38J.203	REVERSE FORK SHAFT	1	2011-11_
19	FT300.38J.218	REVERSE GEAR FORK	1	2011-11_
2	GBT6170-M10-A3L	NUT	1	2011-11_
3	TB554.385.1a	REVERSE CONTROL LEVER PRESSURE UNIT	1	2010-01_
3	TB554.385.1	REVERSE CONTROL LEVER PRESSURE UNIT	1	2004-01_
3.1	FT300.38J.022b	REVERSE CONTROL LEVER WELDMENT	1	2008-07_
3.1	FT300.38J.022b	REVERSE CONTROL LEVER WELDMENT	1	2008-07_
3.1	FT300.38J.022c	REVERSE CONTROL LEVER ASSEMBLY	1	2010-01_
3.1	FT300.38J.022a	REVERSE CONTROL LEVER ASSEMBLY	1	2004-01_
3.2	TB504.385.1-01	SLEEVE	1	2011-11_
4	FT300.38J.231b	ROCKER	1	2007-10_
4	FT300.38J.231a	ROCKER	1	
4	FT300.38J.216	ROCKER	1	2010-08_

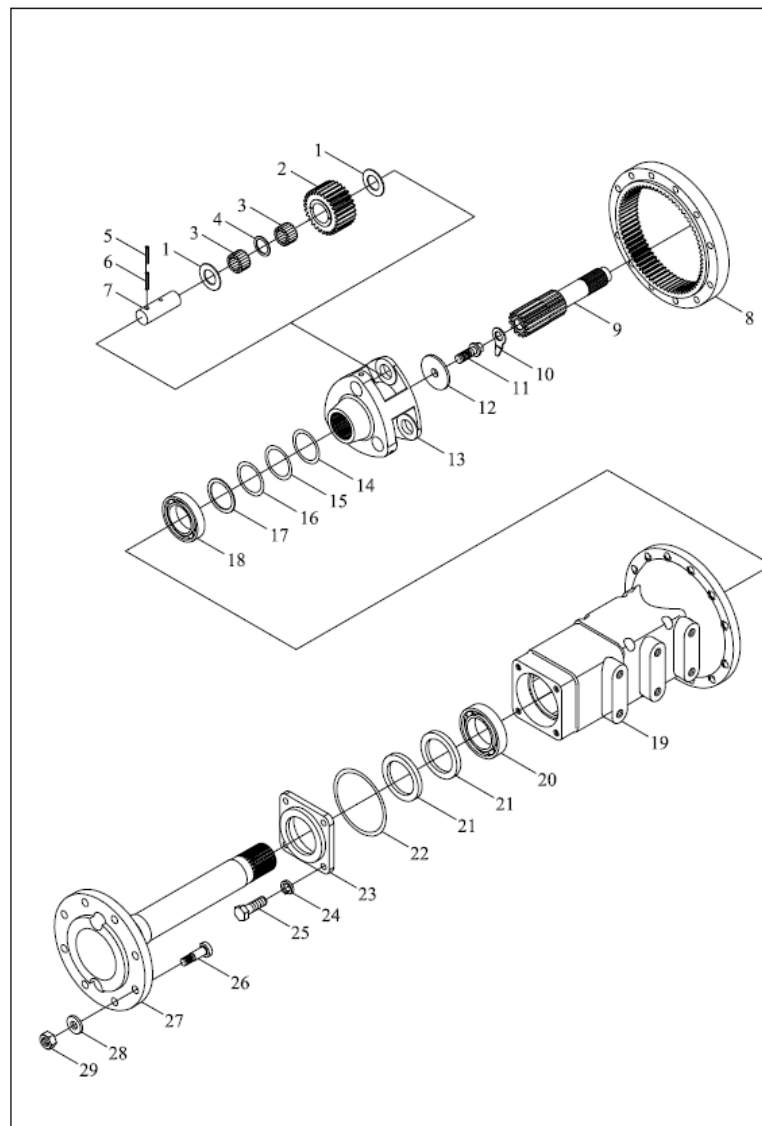
TB554.385 梭式换档机构总成



## TB554.385 38.5-梭式换档机构总成(续)

标号 No.	代号 Code	名称 Description	数量 Quantity	备注 Remark
4	FT300.38J.231b	ROCKER	1	2007-10_
5	GBT882-B10X30-A0P	PIN	1	2011-11_
6	GBT848-10-A0P	WASHER	1	2011-11_
7	GBT91-3.2X40-A0P	PIN	1	2011-11_
8	TB400.385-09	BOLT	2	2011-11_
9	GBT93-10-A0P	WASHER	2	2011-11_

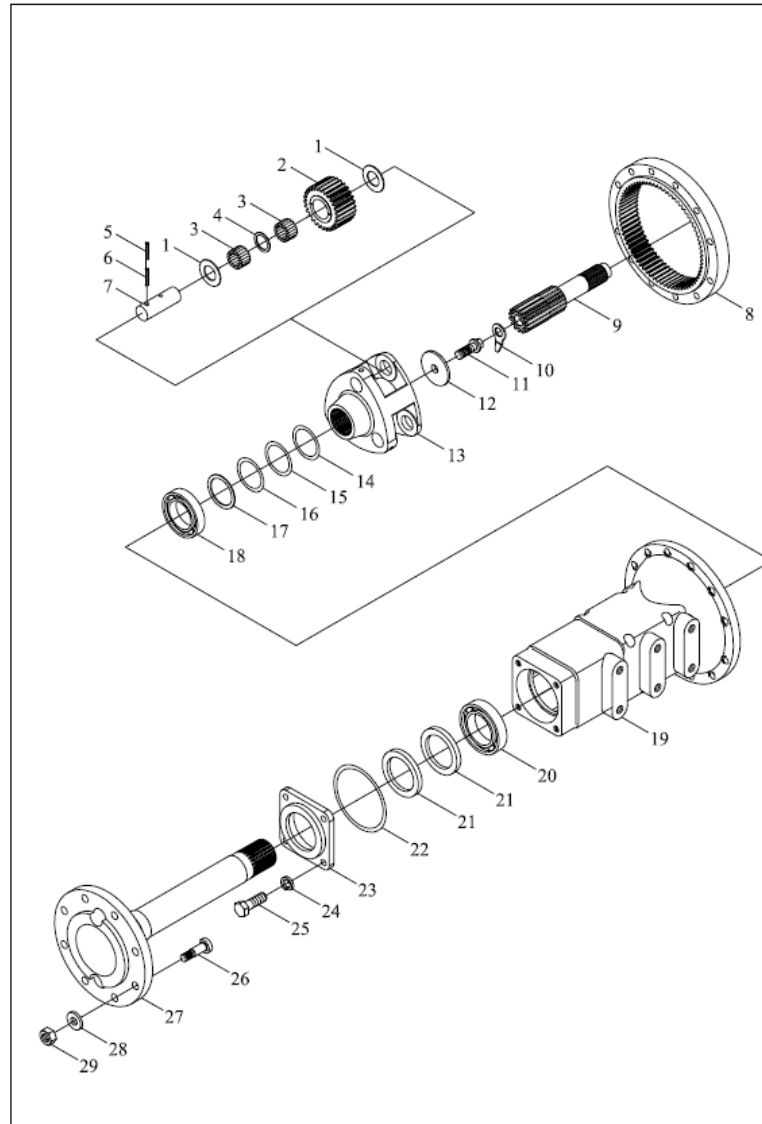
FT300.39.001 Final transmission assembly--1



## FT300.39.001-1 39.1-最终传动总成-1 39FINAL TRANSMISSION ASSEMBLY -1

标号 No.	代号 Code	名称 Description	数量 Quantity	备注 Remark
1	FT300.39.109	NEEDLE OUTER SPACER RING	6	2011-11_
10	FT300.39.110	DRIVING SHAFT LOCK PIECE	1	2011-11_
11	FT300.39.112	DRIVING SHAFT LOCK BOLT	1	2011-11_
12	FT300.39.111	RETAINER BLOCK	1	2011-11_
13	FT300.39.104	PLANET CARRIER	1	2011-11_
14	FT300.39.123	ADJUSTING WASHER	999	2011-11_
15	FT300.39.122	ADJUSTING WASHER	999	2011-11_
16	FT300.39.121	ADJUSTING WASHER	999	2011-11_
16	FT300.39.121	ADJUSTING WASHER	999	2011-11_
17	FT300.39.113	SPACER BUSH	1	2011-11_
18	GBT276-6211	BEARING	1	2011-11_
19	FT300.39.115	LEFT DRIVING SHAFT HOUSING	1	2011-11_
2	FT300.39.103	PLANET GEAR	3	2011-11_
20	GBT276-6212	BALL BEARING	1	2011-11_
21	GBT9877.1-FB70X95X10D	O RING	2	2011-11_
22	GBT3452.1-115X3.55G	O-SEAL RING	1	2004-01_
23	FT300.39.116	OIL SEAL CAGE	1	2011-11_
24	GBT93-12-AOP	WASHER	4	2011-11_
25	GBT5783-M12X30-8.8-A3L	BOLT	4	
26	FT300.39.136	REAR HUB BOLT (LEFT)	8	2011-11_
27	FT300.39.118	DRIVING SHAFT	1	2011-11_
28	FT300.39.137	WASHER	8	2011-11_
29	GBT6176-M16X1.5-LH-10-A3L	HEXAGON NUT, TYPE-2	8	2004-01_
3	GBT309-P5X23.8-G2	NEEDLE	132	2011-11_
4	FT300.39.105	NEEDLE INNER SPACER RING	3	2011-11_

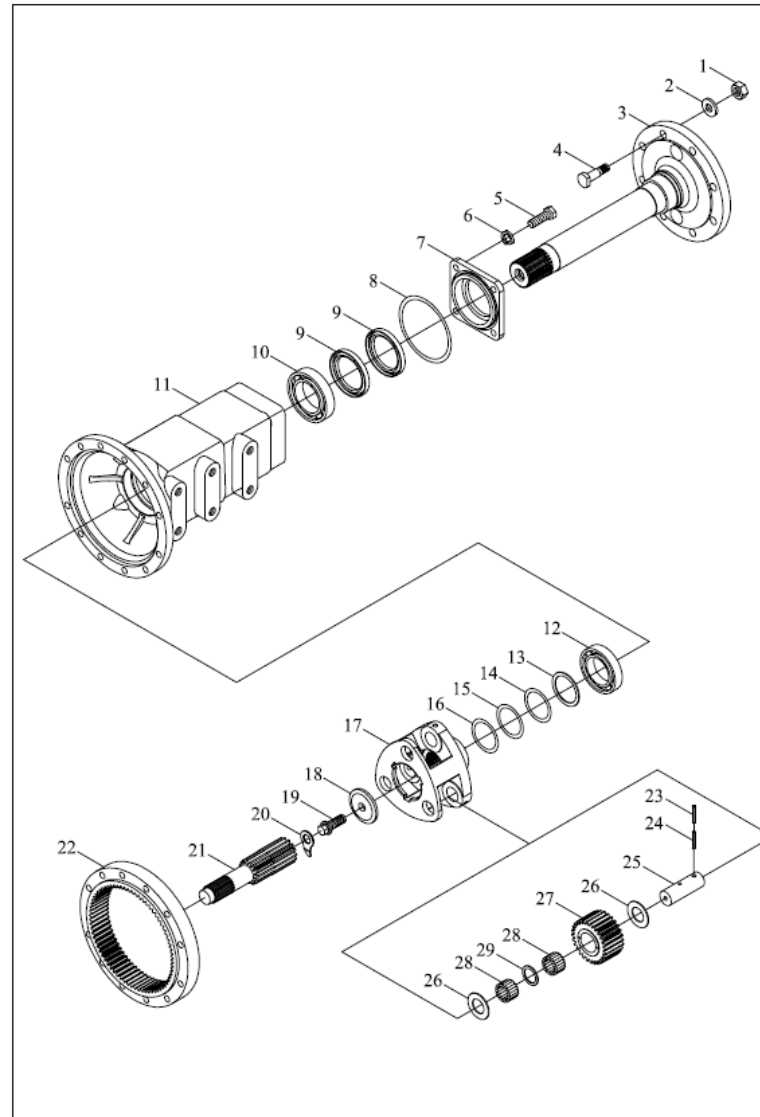
FT300.39.001 Final transmission assembly--1



## FT300.39.001-1 39.1-最终传动总成-1(续)

标号 No.	代号 Code	名称 Description	数量 Quantity	备注 Remark
5	GBT879.1-5X24	PIN	3	2011-11_
6	GBT879.1-8X24	PIN	3	2011-11_
7	FT300.39.106	PLANET GEAR SHAFT	3	2011-11_
8	FT300.39.107	GEAR RING	1	2011-11_
9	FT300.39.101	LEFT HALF SHAFT	1	2011-11_

FT300.39.001 Final transmission assembly- -2

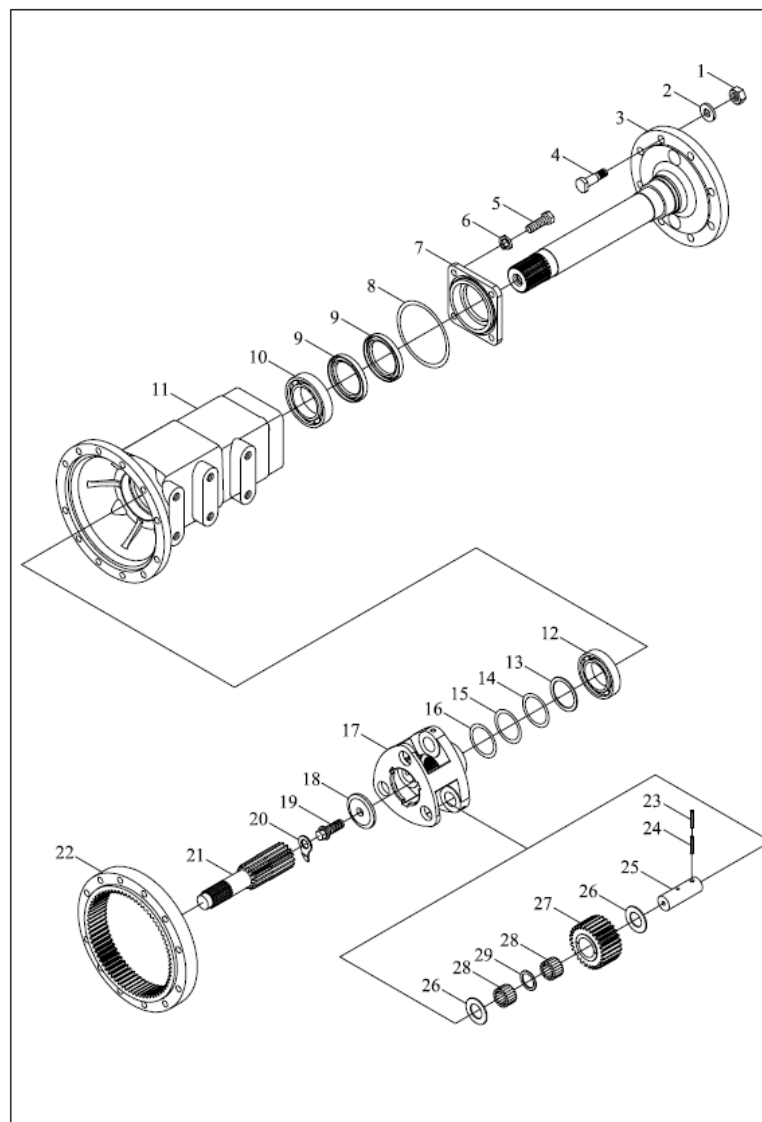




## FT300.39.001-2 39.2-最终传动总成-2 39FINAL TRANSMISSION ASSEMBLY -2

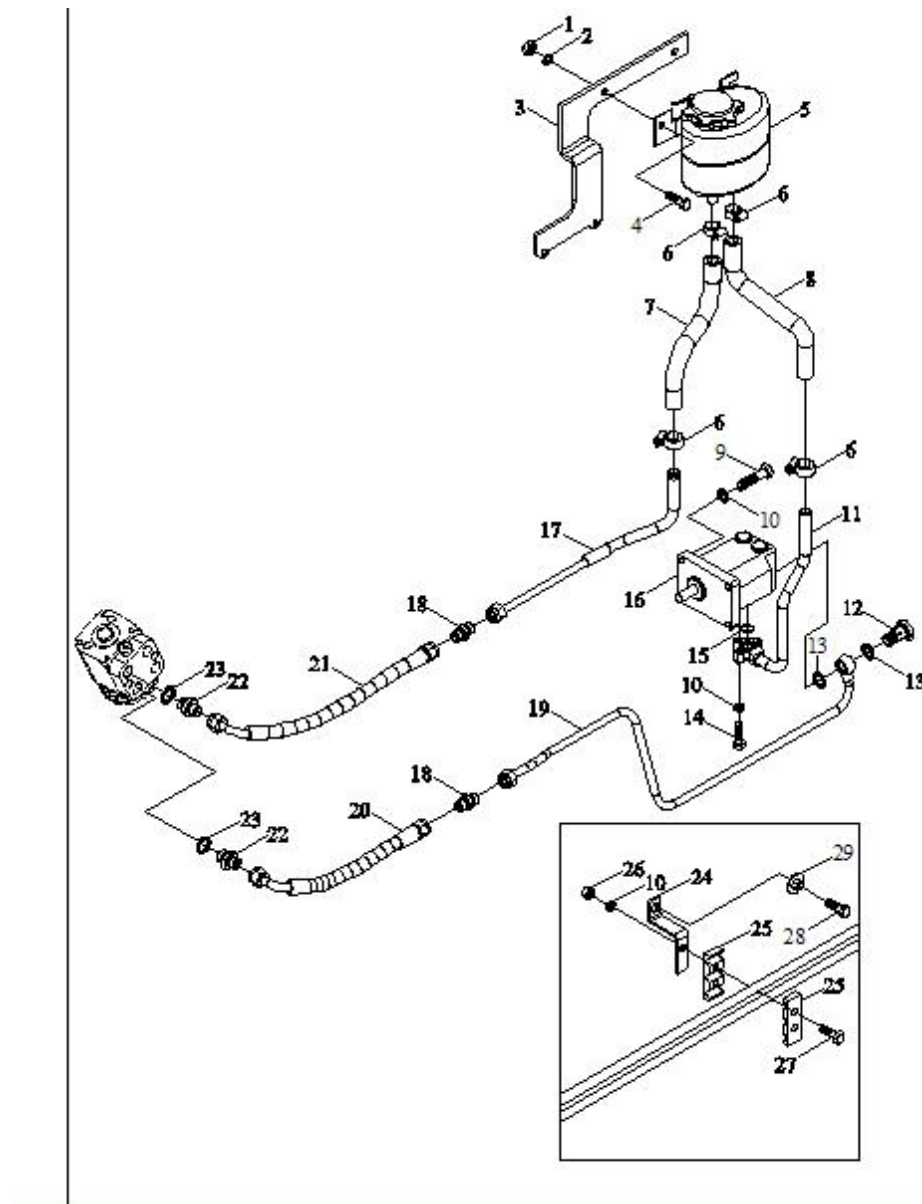
标号 No.	代号 Code	名称 Description	数量 Quantity	备注 Remark
1	GBT6176-M16X1.5-LH-10-A3L	HEXAGON NUT, TYPE-2	8	2011-11_
10	GBT276-6212	BALL BEARING	1	2011-11_
11	FT300.39.114	RIGHT DRIVING SHAFT HOUSING	1	2011-11_
12	GBT276-6211	BEARING	1	2011-11_
13	FT300.39.113	SPACER BUSH	1	2011-11_
14	FT300.39.121	ADJUSTING WASHER	9999	2011-11_
14	FT300.39.121	ADJUSTING WASHER	9999	2011-11_
15	FT300.39.122	ADJUSTING WASHER	9999	2011-11_
16	FT300.39.123	ADJUSTING WASHER	9999	2011-11_
17	FT300.39.104	PLANET CARRIER	1	2011-11_
18	FT300.39.111	RETAINER BLOCK	1	2011-11_
19	FT300.39.112	DRIVING SHAFT LOCK BOLT	1	2011-11_
2	FT300.39.137	WASHER	8	2011-11_
20	FT300.39.110	DRIVING SHAFT LOCK PIECE	1	2011-11_
21	FT300.39.102	RIGHT HALF SHAFT	1	2011-11_
21	FT300.39.102	RIGHT HALF SHAFT	1	2011-11_
22	FT300.39.107	GEAR RING	1	2011-11_
23	GBT879.1-5X24	PIN	3	2011-11_
24	GBT879.1-8X24	PIN	3	2011-11_
25	FT300.39.106	PLANET GEAR SHAFT	3	2011-11_
26	FT300.39.109	NEEDLE OUTER SPACER RING	6	2011-11_
27	FT300.39.103	PLANET GEAR	3	2011-11_
28	GBT309-P5X23.8-G2	NEEDLE	132	2011-11_
29	FT300.39.105	NEEDLE INNER SPACER RING	3	2011-11_
3	FT300.39.118	DRIVING SHAFT	1	2011-11_

FT300.39.001 Final transmission assembly- -2



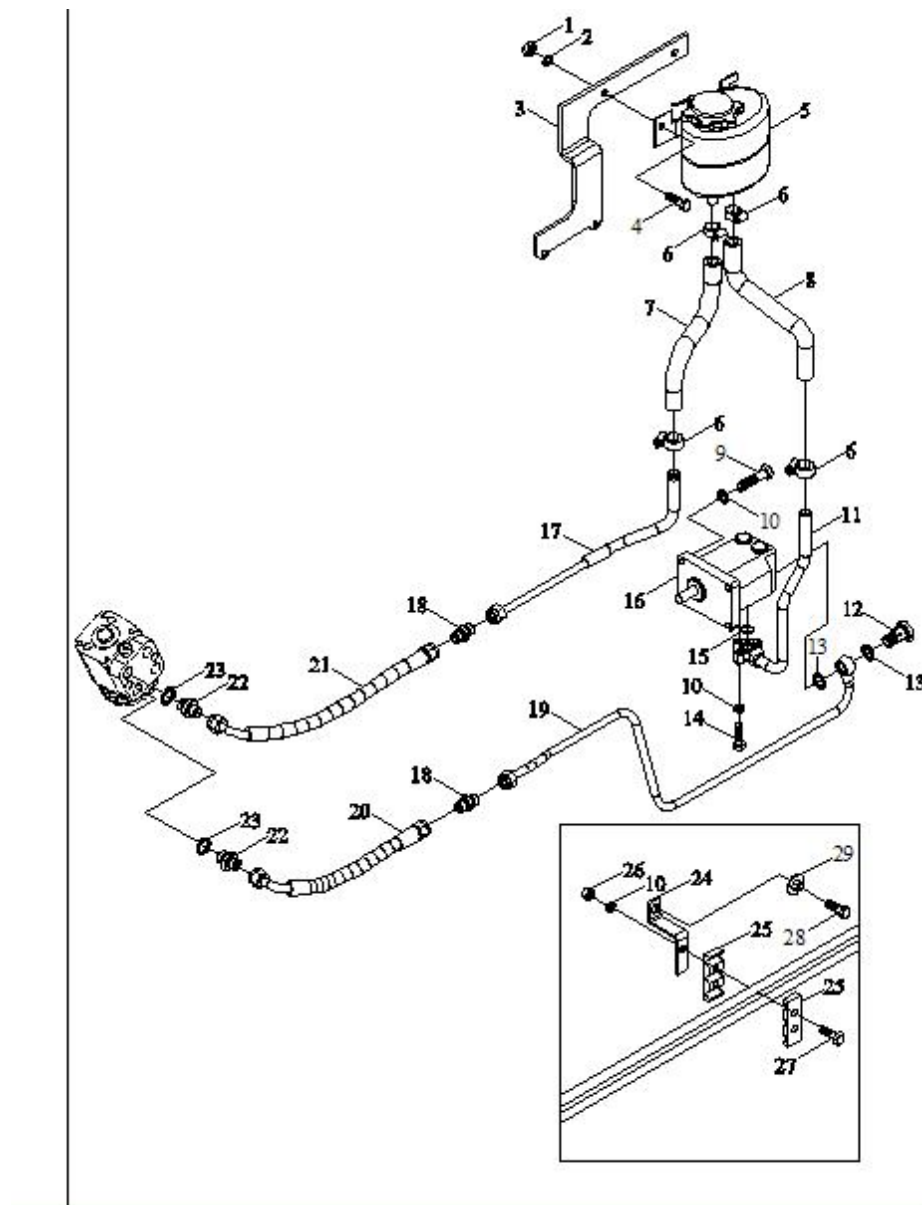
## FT300.39.001-2 39.2-最终传动总成-2(续)

标号 No.	代号 Code	名称 Description	数量 Quantity	备注 Remark
4	FT300.39.135	REAR HUB BOLT	8	2011-11_
5	GBT5783-M12X30-8.8-A3L	BOLT	4	2011-11_
6	GBT93-12-AOP	WASHER	4	2011-11_
7	FT300.39.116	OIL SEAL CAGE	1	2011-11_
8	GBT3452.1-115X3.55G	O-SEAL RING	1	2011-11_
9	GBT9877.1-FB70X95X10D	O RING	2	2011-11_



## TB504.402B-1 40.1-全液压转向管路总成-1 FULL HYDRAULIC STEERING PIPE ASSEMBLY-1

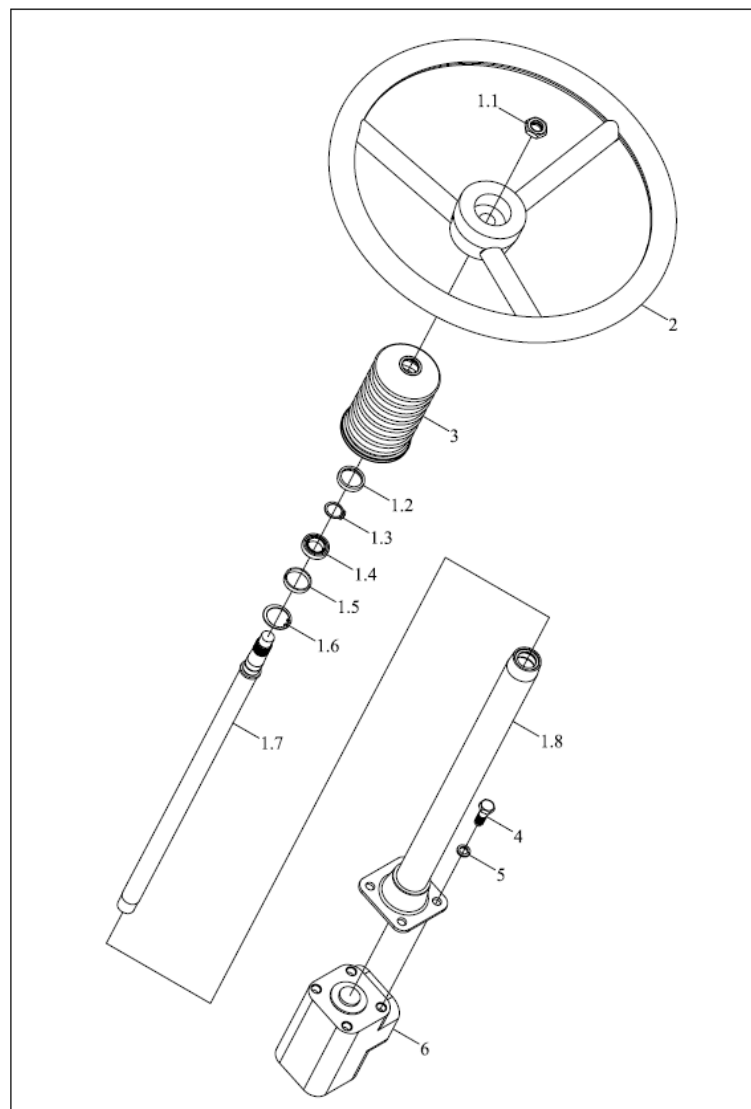
标号 No.	代号 Code	名称 Description	数量 Quantity	备注 Remark
1	GBT6170-M10-A3L	NUT	2	
10	GBT93-8-A0P	WASHER	8	
11	FT450.40Y.011	OIL PUMP INLET STEEL PIPE WELDMENT	1	
12	FT650.40.105-M18X1.5	HOLLOW BOLT	1	
13	JBT982-18	COMBINED SEAL GASKET	2	
13	JBT982-18	COMBINED SEAL GASKET	2	
14	GBT5783-M8X30-8.8-A2L	BOLT	3	
15	GBT3452.1-17.0X2.65G	O-SEAL RING	1	2012-12_
15	GBT3452.1-16.0X2.65G	O-SEAL RING	1	
16	FT354.40J.011	PERMANENT OVERFLOW PUMP	1	
17	TB504.402B.7	OIL CONVEYING PIPE WELDMENT	1	
17	TB504.402B.7a	OIL CONVEYING PIPE ASSEMBLY 7	1	2012-12_
18	GBT3737.2-G12	STRAIGHT THREAD JOINT	2	
19	TB504.402B.8a	OIL CONVEYING PIPE WELDMENT 8	1	2012-12_
19	TB504.402B.8	OIL CONVEYING PIPE WELDMENT	1	
2	GBT93-10-A0P	WASHER	4	
20	TB504.402B.12	OIL CONVEYING HOSE ASSEMBLY 3	1	2012-12_
20	TB504.402B.3	OIL CONVEYING HOSE ASSEMBLY	1	
21	TB504.402B.4	OIL CONVEYING HOSE ASSEMBLY	1	
22	TH354.402-11	PIPE JOINT	2	
23	JBT982-20	COMBINED SEAL GASKET	2	
24	TB504.402B-01a	OIL PIPE BRACKET1	1	2012-12_
24	TB504.402B-01	OIL PIPE BRACKET1	1	
25	TG1204.402F-02	THREE-HOLE PIPE CLAMP	2	
26	GBT6170-M8-A2L	NUT	1	



## TB504.402B-1 40.1-全液压转向管路总成-1(续)

标号 No.	代号 Code	名称 Description	数量 Quantity	备注 Remark
27	GBT5783-M8X35-8.8-A2L	BOLT	1	
28	GBT5783-M8X20-8.8-A2L	BOLT	1	
29	GBT97.1-8-A0P	WASHER	1	
3	TB450.40X-01	STEERING OIL TANK BRACKET	1	
3	TB504.402B.11	STEERING OIL TANK BRACKET WELDMENT	1	2012-12_
4	GBT5783-M10X25-8.8-A3L	BOLT	2	
5	FT354.40C.011	STEERING OIL TANK AND BREATH ASSEMBLY	1	
6	Q67627	HOSE HOOP 27	4	
7	TB504.402-04	OIL RETURN HOSE	1	
8	TB504.402B-03	OIL SUCTION HOSE	1	2012-12_
8	FT400.40X.104	OIL SUCTION HOSE	1	
9	GBT5782-M8X60-8.8-A2L	BOLT	4	

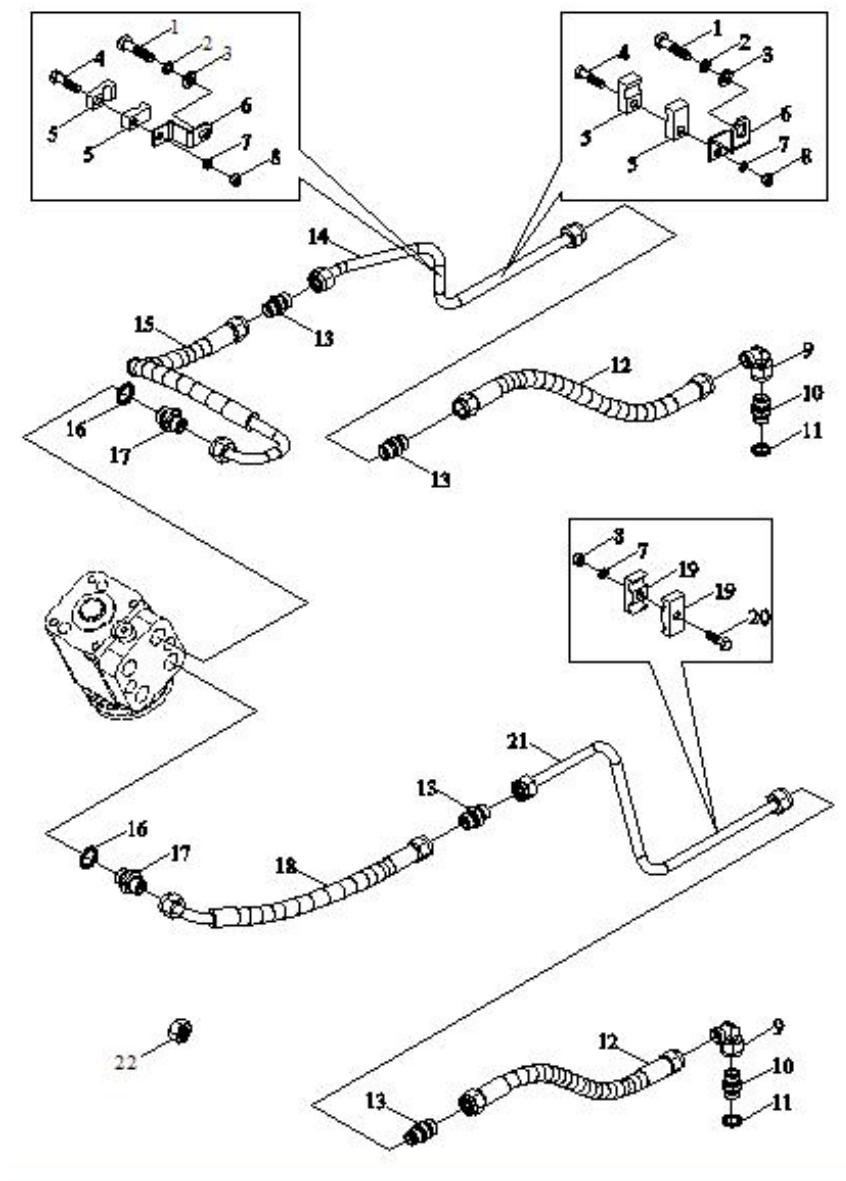
TB504.401B 转向器及转向管柱总成





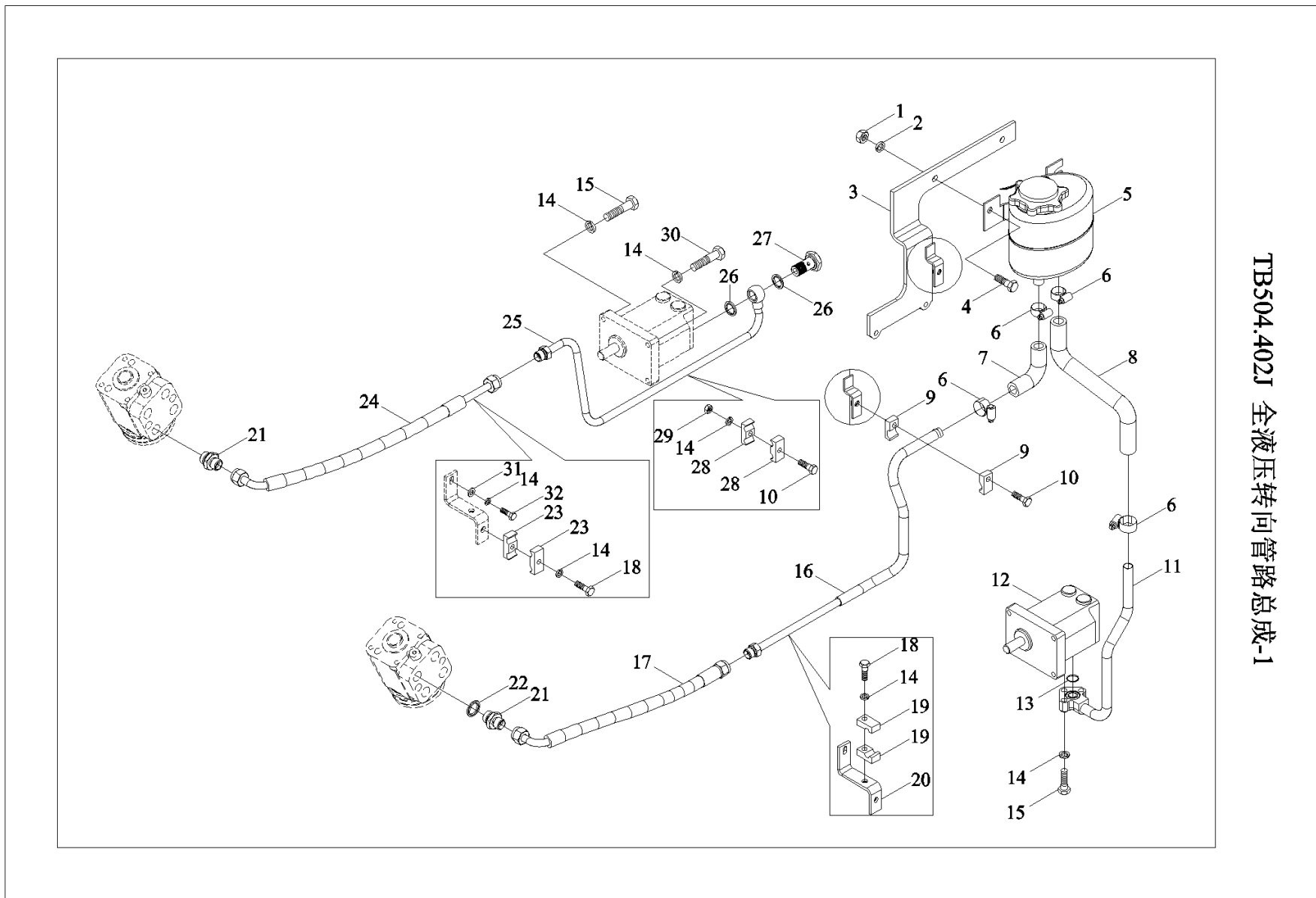
## TB504.401B 40.1-转向器及转向管柱总成 40.1-REDIRECTOR OR STEERING COLUMN ASSEMBLY

标号 No.	代号 Code	名称 Description	数量 Quantity	备注 Remark
1	FT354.40C.016a	STEERING PIPE COLUMN ASSEMBLY	1	
1	FT354.40C.016a	STEERING PIPE COLUMN ASSEMBLY	1	
1.1	GBT6173-M16X1.5-A3L	NUT	1	2011-11_
1.2	FT650.40.172	BEARING RETAINER RING	1	2011-11_
1.3	GBT894.1-20	BLCOKING RING	1	2011-11_
1.4	GBT276-61804-2LS	BEARING	1	2011-11_
1.5	FT650.40.173	BEARING RETAINER RING 2	1	2011-11_
1.6	GBT893.1-32	RETAINER RING	1	2011-11_
1.7	FT354.40C.130a	STEERING ROD	1	2009-12_
1.8	FT354.40C.030	STEERING SLEEVE WELDMENT	1	2011-11_
2	FT400.40.016	STEERING WHEEL ASSEMBLY	1	2011-11_
3	TB504.401-01	STEERING ROD SHIELD SLEEVE	1	2011-11_
3	TB504.401-01	STEERING ROD SHIELD SLEEVE	1	2011-11_
4	GBT5783-M10X30-8.8-A3L	BOLT	4	2011-11_
5	GBT93-10-A0P	WASHER	4	2011-11_
6	FT354.40C.015	HYDRAULIC STEERING MECHANISM ASSEMBLY	1	2011-11_
6	FT354.40C.015	HYDRAULIC STEERING MECHANISM ASSEMBLY	1	2011-11_



## TB504.402B-2 40.2-全液压转向管路总成-2 FULL HYDRAULIC STEERING PIPE ASSEMBLY-2

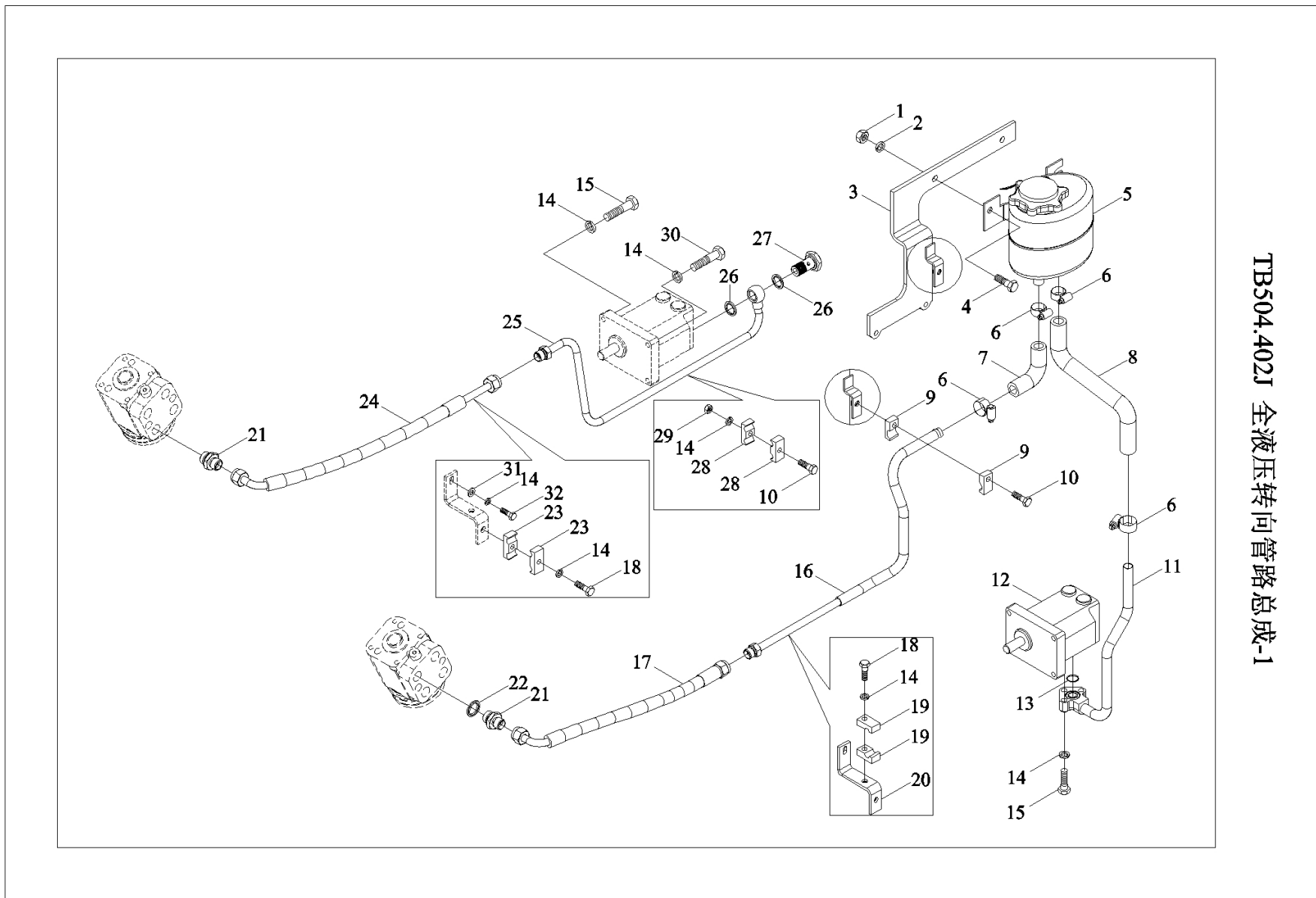
标号 No.	代号 Code	名称 Description	数量 Quantity	备注 Remark
1	GBT5783-M10X20-8.8-A3L	BOLT	2	
1	GBT5783-M10X20-8.8-A3L	BOLT	2	
10	TB504.402B.10	JOINT	2	
11	JBT982-16	COMBINED SEAL GASKET	2	
12	TB504.402B.5	OIL CONVEYING HOSE ASSEMBLY	2	
13	GBT3737.2-G12	STRAIGHT THREAD JOINT	4	
14	TB504.402B.2	OIL CONVEYING PIPE ASSEMBLY	1	
14	TB504.402B.2a	OIL CONVEYING PIPE ASSEMBLY 2	1	2012-12_
15	TB504.402B.6	OIL CONVEYING HOSE ASSEMBLY	1	
16	JBT982-20	COMBINED SEAL GASKET	2	
17	TH354.402-11	PIPE JOINT	2	
18	TB504.402B.9	OIL CONVEYING HOSE ASSEMBLY	1	
19	TG1204.402E-03	DOUBLE-HOLE PIPE CLIP	2	
2	GBT93-10-A0P	WASHER	2	
20	GBT5783-M8X35-8.8-A2L	BOLT	1	
21	TB504.402B.1a	OIL CONVEYING PIPE ASSEMBLY 1	1	2012-12_
21	TB504.402B.1	OIL CONVEYING PIPE ASSEMBLY	1	
22	GBT6170-M8-8-A2L	I-TYPE HEXAGON NUT	1	
3	GBT97.1-10-A0P	WASHER	2	
4	GBT5782-M8X40-8.8-A2L	BOLT	2	
5	TG1654.402-07	SINGLE HOLE PIPE CLAMP	4	
6	TB504.402-10	OIL PIPE BRACKET 3	2	
7	GBT93-8-A0P	WASHER	3	
8	GBT6170-M8-A2L	NUT	3	
9	GBT3733.2-G12	STRAIGHT PIPE JOINT BODY	2	



TB504.402J 全液压转向管路总成-1

## TB504.402J-1 40.21-全液压转向总成 FULLY HYDRAULIC STEERING ASSEMBLY

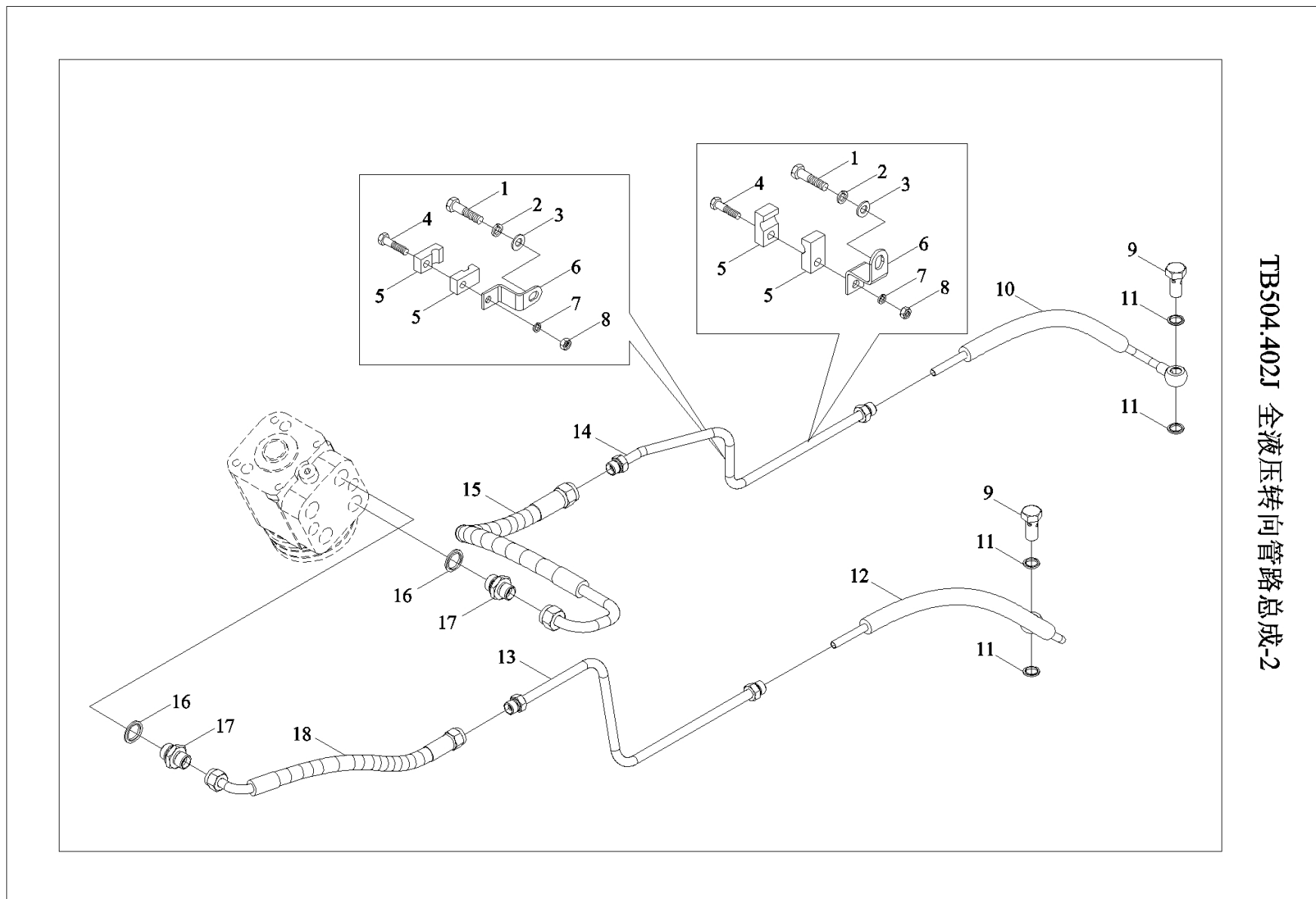
标号 No.	代号 Code	名称 Description	数量 Quantity	备注 Remark
1	GBT6170-M10-8-A3L	NUT	2	2014-04_
10	GBT5783-M8X35-8.8-A2L	BOLT	2	2014-04_
11	FT450.40Y.011	OIL PUMP INLET STEEL PIPE WELDMENT	1	2014-04_
12	FT354.40J.011	PERMANENT OVERFLOW PUMP	1	2014-04_
13	GBT3452.1-17.0X2.65G	O-SEAL RING	1	2014-04_
14	GBT93-8-A0P	WASHER	10	2014-04_
15	GBT5783-M8X30-8.8-A2L	BOLT	5	2014-04_
16	TB504.402B.7a	OIL CONVEYING PIPE ASSEMBLY 7	1	2014-04_
17	TB504.402B.13	HIGH PRESSURE OIL HOSE ASSEMBLY	1	2014-04_
18	GBT5783-M8X40-8.8-A2L	BOLT	2	2014-04_
19	TG1654.402-07	SINGLE HOLE PIPE CLAMP	2	2014-04_
2	GBT93-10-A0P	WASHER	2	2014-04_
20	TB504.402B-01a	OIL PIPE BRACKET1	1	2014-04_
21	TH354.402-11	PIPE JOINT	2	2014-04_
22	JBT982-20	COMBINED SEAL GASKET	1	2014-04_
23	TG1654.402-04	DOUBLE-HOLE PIPE CLIP	2	2014-04_
24	TB504.402B.12	OIL CONVEYING HOSE ASSEMBLY 3	1	2014-04_
25	TB504.402B.8a	OIL CONVEYING PIPE WELDMENT 8	1	2014-04_
26	JBT982-18	COMBINED SEAL GASKET	2	2014-04_
26	JBT982-18	COMBINED SEAL GASKET	2	2014-04_
27	FT650.40.105	HOLLOW BOLT	1	2014-04_
28	TG1204.402E-03	DOUBLE-HOLE PIPE CLIP	2	2014-04_
29	GBT6170-M8-8-A2L	I-TYPE HEXAGON NUT	1	2014-04_
3	TB504.402B.11	STEERING OIL TANK BRACKET WELDMENT	1	2014-04_
30	GBT5782-M8X60-8.8-A2L	BOLT	2	2014-04_



TB504.402J 全液压转向管路总成-1

## TB504.402J-1 40.21-全液压转向总成(续)

标号 No.	代号 Code	名称 Description	数量 Quantity	备注 Remark
31	GBT97.1-8-A0P	WASHER	1	2014-04_
32	GBT5783-M8X20-8.8-A2L	BOLT	1	2014-04_
4	GBT5783-M10X25-8.8-A3L	BOLT	2	2014-04_
5	FT354.40C.011	STEERING OIL TANK AND BREATH ASSEMBLY	1	2014-04_
6	Q67627	HOSE HOOP 27	4	2014-04_
7	TB504.402B-02	RUBBER HOSE	1	2014-04_
8	TB504.402B-03	OIL SUCTION HOSE	1	2014-04_
9	TG1204.402-01	SINGLE HOLE PIPE CLAMP	2	2014-04_



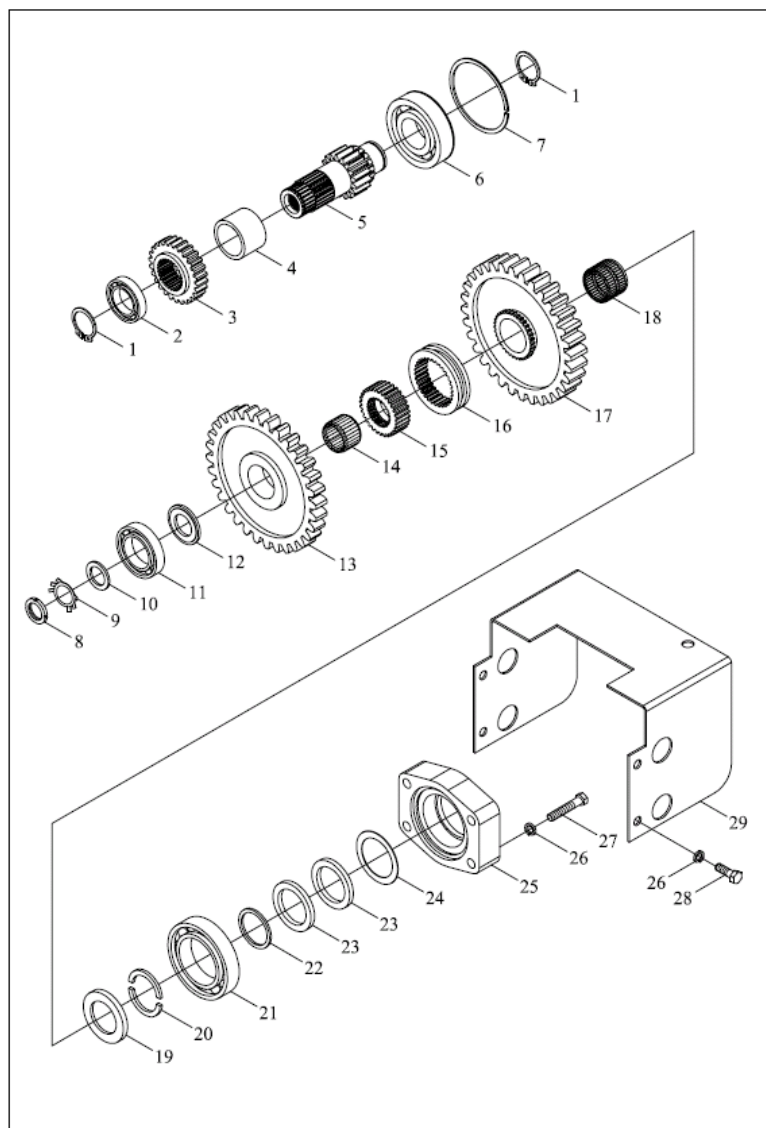
TB504.402J 全液压转向管路总成-2



## TB504.402J-2 40.22-全液压转向总成 FULLY HYDRAULIC STEERING ASSEMBLY

标号 No.	代号 Code	名称 Description	数量 Quantity	备注 Remark
1	GBT5783-M10X20-8.8-A3L	BOLT	2	2014-04_
1	GBT5783-M10X20-8.8-A3L	BOLT	2	2014-04_
10	TB704.402.11	RIGHT STEERING OIL PIPE ASSEMBLY	1	2014-04_
11	JBT982-16	COMBINED SEAL GASKET	4	2014-04_
12	TB704.402.10	LEFT STEERING OIL PIPE ASSEMBLY	1	2014-04_
13	TB504.402B.1a	OIL CONVEYING PIPE ASSEMBLY 1	1	2014-04_
14	TB504.402B.2a	OIL CONVEYING PIPE ASSEMBLY 2	1	2014-04_
15	TB504.402B.14	OIL CONVEYING HOSE ASSEMBLY 6	1	2014-04_
16	JBT982-20	COMBINED SEAL GASKET	1	2014-04_
17	TH354.402-11	PIPE JOINT	2	2014-04_
2	GBT93-10-A0P	WASHER	2	2014-04_
3	GBT97.1-10-A0P	WASHER	2	2014-04_
4	GBT5782-M8X40-8.8-A2L	BOLT	2	2014-04_
5	TG1654.402-07	SINGLE HOLE PIPE CLAMP	4	2014-04_
6	TB504.402-10	OIL PIPE BRACKET 3	2	2014-04_
7	GBT93-8-A0P	WASHER	3	2014-04_
8	GBT6170-M8-8-A2L	I-TYPE HEXAGON NUT	2	2014-04_
9	FT650.40.112	HOLLOW BOLT	2	2014-04_

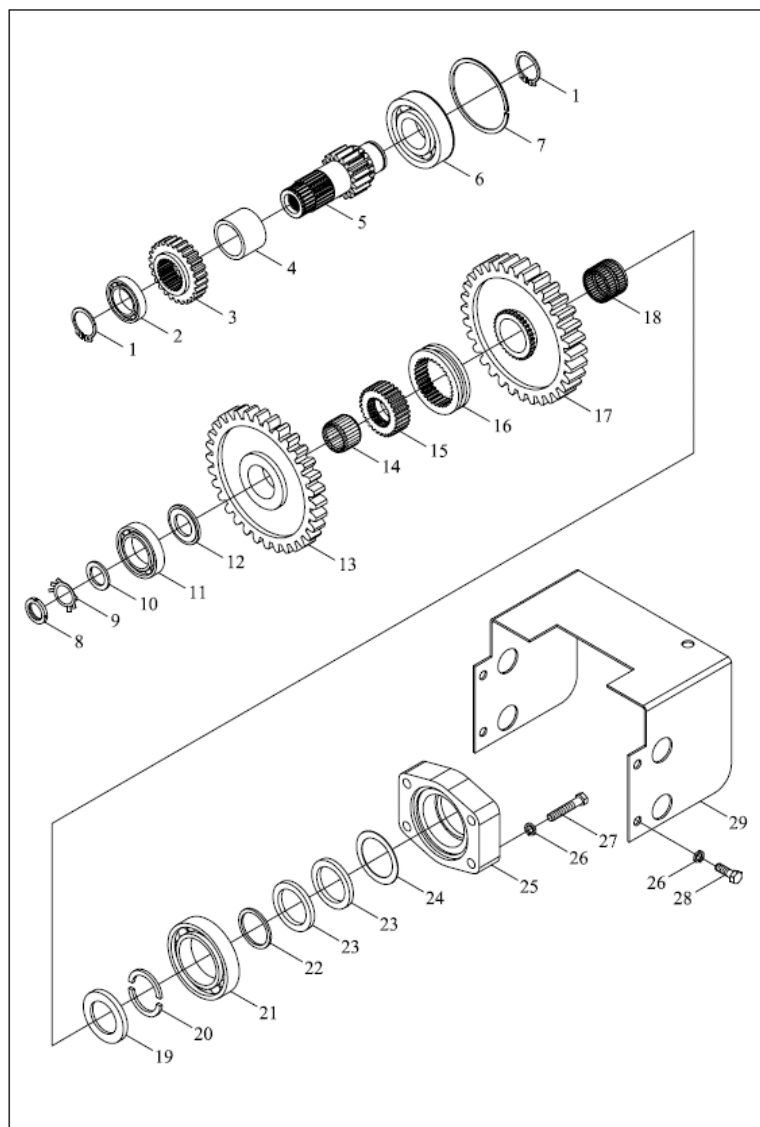
TB400.411DPTO gear assembly



## TB400.411D 41.1-动力输出齿轮总成 41.1-PTO GEAR ASSEMBLY

标号 No.	代号 Code	名称 Description	数量 Quantity	备注 Remark
1	GBT894.1-40	WASHER 40	2	2011-11_
10	FT300.41.122	WASHER	1	2011-11_
11	GBT276-6306	BEARING	1	2011-11_
12	FT300.41C.118	OUTPUT SHAFT FRONT RETAINER RING	1	2011-11_
13	FT300.41E.105	PTO DRIVEN SMALL GEAR	1	2011-11_
14	JBT7918-K35X40X27	NEEDLE AND CARRIER UNIT	1	2011-11_
15	FT300.41C.117	PTO MESHING SEAT	1	2011-11_
15	FT300.41C.117	PTO MESHING SEAT	1	2011-11_
16	FT300.41C.116	PTO SHIFT COLLAR	1	2011-11_
17	FT300.41E.103	PTO DRIVEN BIG GEAR	1	2011-11_
19	FT300.41E.114	REAR RETAINER RING	1	2011-11_
2	GBT276-6208	BEARING	1	2011-11_
20	FT300.41E.119	OUTPUT SHAFT HALF RETAINER RING	2	2011-04_
21	GBT276-6309	BEARING	1	2011-11_
22	FT300.41E.113	OUTPUT SHAFT BEARING WASHER	1	2011-11_
23	GBT9877.1-FB50X72X8D	O RING	2	2011-11_
24	FT300.41E.115	OIL SEAL RETAINER RING	1	2011-11_
25	FT300.41E.101	REAR END COVER I	1	2011-11_
26	GBT93-12-AOP	WASHER	8	2011-11_
27	GBT5782-M12X55	BOLT	4	2004-01_
28	GBT5781-M12X25-A3L	BOLT	4	2011-11_
29	FT300.41.131a	SAFTY BONNET	1	2011-11_
3	FT300.41E.120	PTO HIGH GEAR DRIVING GEAR	1	2011-11_
3	FT300.41E.120	PTO HIGH GEAR DRIVING GEAR	1	2011-11_
4	FT300.41E.121	SPACER BUSH	1	2011-11_

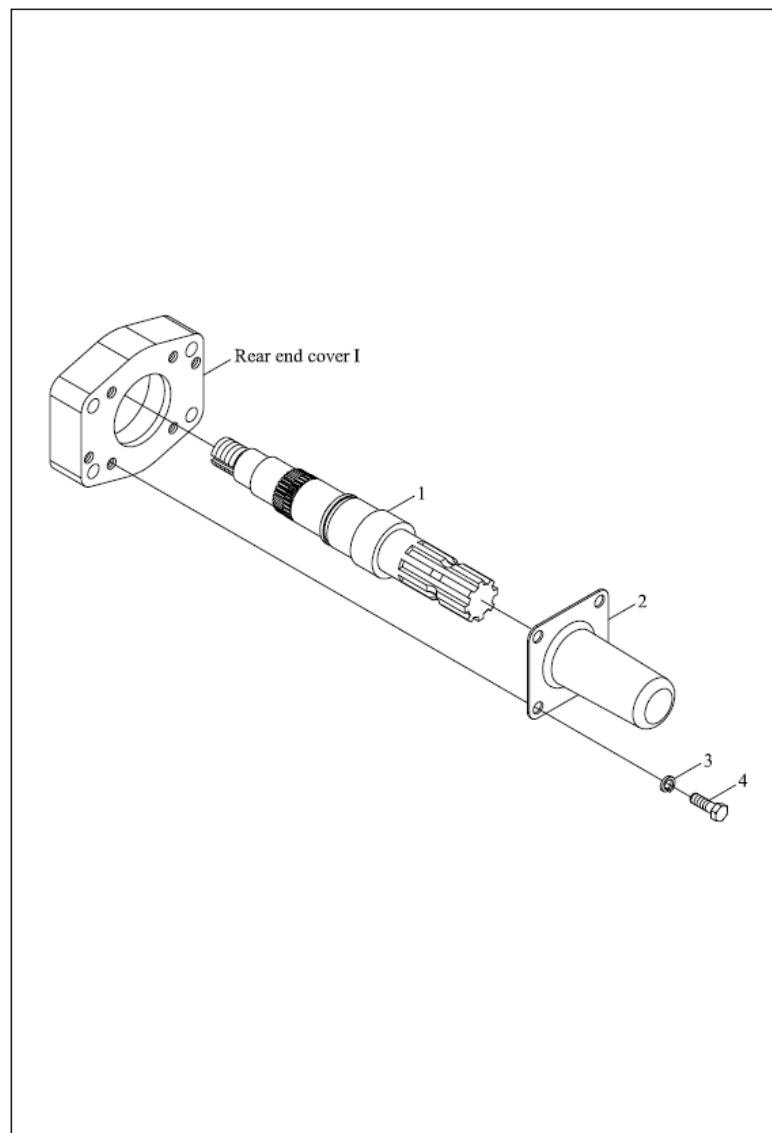
TB400.411DPTO gear assembly



## TB400.411D 41.1-动力输出齿轮总成(续)

标号 No.	代号 Code	名称 Description	数量 Quantity	备注 Remark
5	FT300.41E.106	PTO LOW GEAR DRIVING GEAR	1	2011-11_
5	FT300.41E.106	PTO LOW GEAR DRIVING GEAR	1	2011-11_
6	GBT276-6308N	BEARING	1	2011-11_
7	GBT305-90-96.5	THRUST RING	1	2011-11_
8	GBT812-M25X1.5	ROUND NUT	1	2011-11_
9	GBT858-25	WASHER LOCK	1	2011-11_

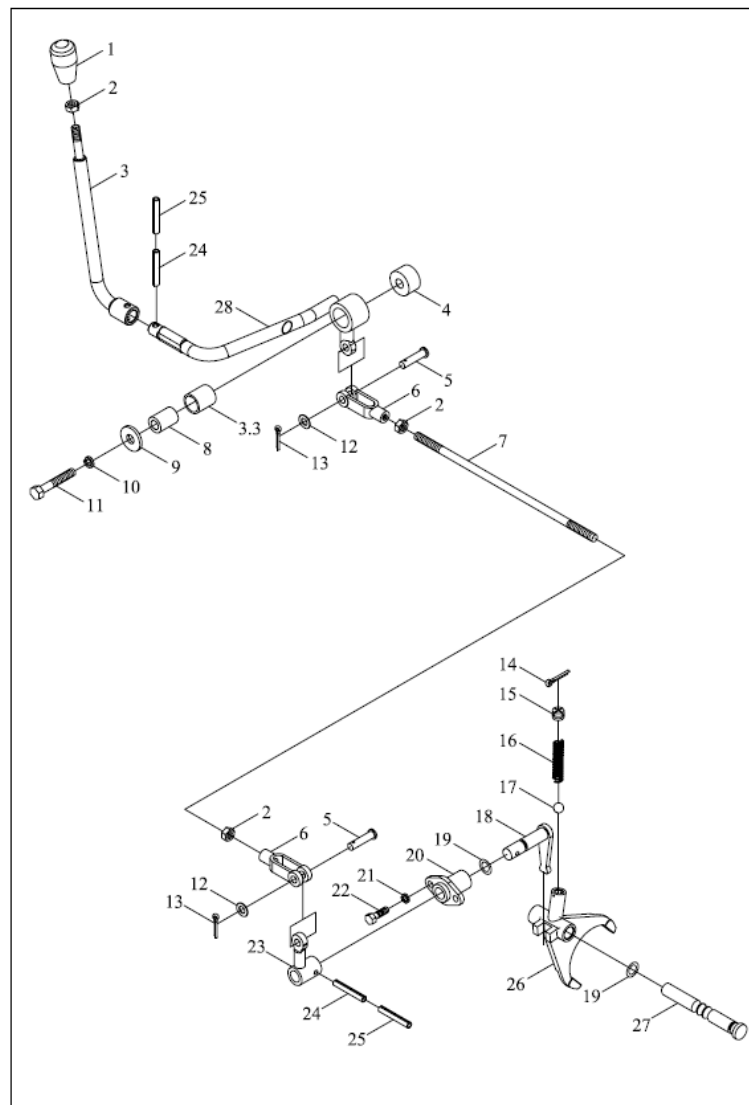
TB550.412A Power shaft assembly



## TB550.412A 41.2-动力输出轴总成 41.2-PTO SHAFT ASSEMBLY

标号 No.	代号 Code	名称 Description	数量 Quantity	备注 Remark
1	TB550.412A-01	TYPE-I 35 PTO SHAFT	1	2011-11_
1	TB550.412A-01	TYPE-I 35 PTO SHAFT	1	2011-11_
2	TE250.411C-02	PTO SHAFT HOOD	1	2008-11_
2	FT300.41E.102	PTO SHAFT COVER	1	2004-01_
3	GBT93-10	WASHER 10	4	2011-11_
4	GBT5783-10X20-A3L	BOLT	4	2011-11_

TB550.413D 动力输出操纵总成

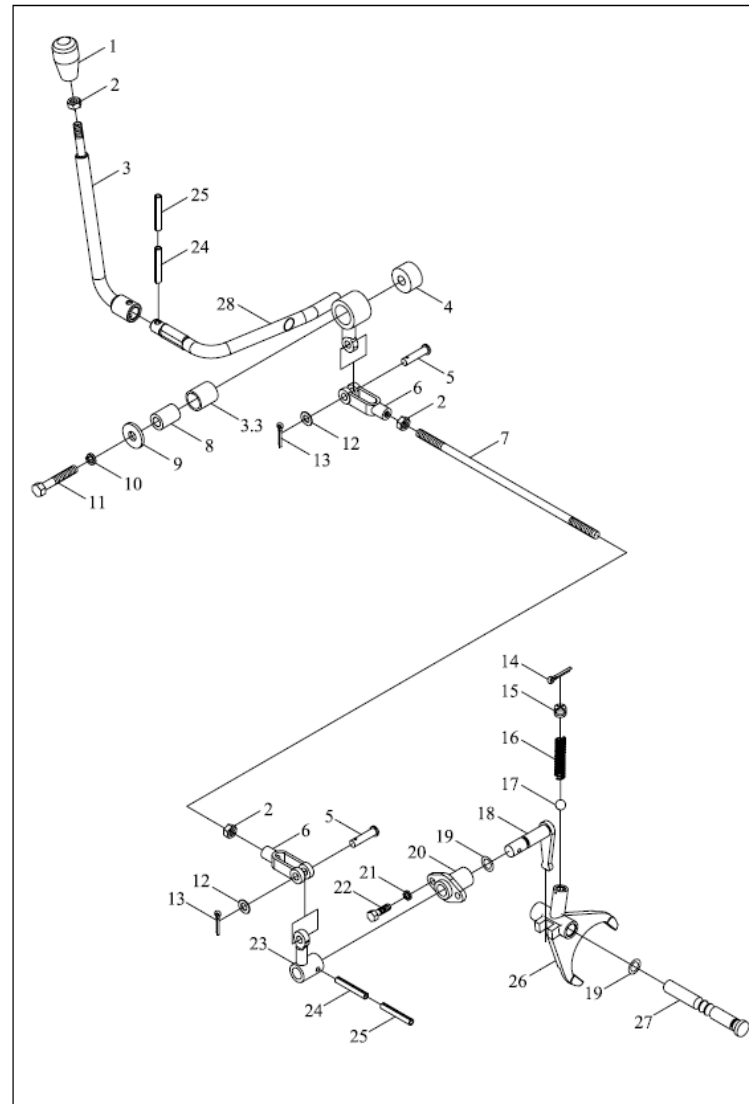




## TB550.413D 41.3-动力输出操纵总成 41.3-PTO CONTROL ASSEMBLY

标号 No.	代号 Code	名称 Description	数量 Quantity	备注 Remark
1	FT300.41.015	PTO CONTROL HANDLE ASSEMBLY	1	2011-11_
10	GBT93-12	WASHER	1	2011-11_
11	TB550.413-02	BOLT	1	2011-11_
12	GBT97.1-10-A0P	WASHER	2	2011-11_
13	GBT91-3.2X16-A0P	PIN	2	2011-11_
14	GBT91-2.5X32-A0P	PIN	1	2011-11_
15	TB550.413-03	SCREW	1	2011-11_
16	FT704.42B.163	FORK SHAFT LOCATING SPRING	1	2011-11_
17	GBT308-9.5-G100-b	BALL	1	2011-11_
18	TB550.413-04	FINGER LEVER WELDMENT	1	2012-05_
18	FT300.41E.011	FINGER LEVER WELDMENT	1	2004-01_
19	GBT3452.1-11.2X2.65G	O-SEAL RING	1	
19	GBT3452.1-16.0X2.65G	O-SEAL RING	1	
2	GBT6170-M10-A3L	NUT	3	2011-11_
20	FT300.41E.109	LEVER SHAFT SLEEVE	1	2011-11_
21	GBT93-8-AOP	SPRING WASHER	2	2011-11_
22	GBT5783-M8X20-A2L	BOLT	2	2011-11_
23	FT300.41.012	PTO GEARSHIFT LEVER WELDMENT	1	2011-11_
24	GBT879.1-6X26	PIN	2	2011-11_
25	GBT879.1-3.5X26	PIN	2	2011-11_
26	TB550.413-01a	PTO GEARSHIFT FORK	1	2011-11_
27	FT300.41C.107a	PTO FORK SHAFT	1	2011-11_
28	TB550.413D.2	PTO CONTROL CONNECTING LEVER ASSEMBLY	1	2011-11_
3	TB550.413D.1	PTO CONTROL HANDLE LEVER WELDMENT	1	2011-11_
3	TB550.413D.1	PTO CONTROL HANDLE LEVER WELDMENT	1	2011-11_

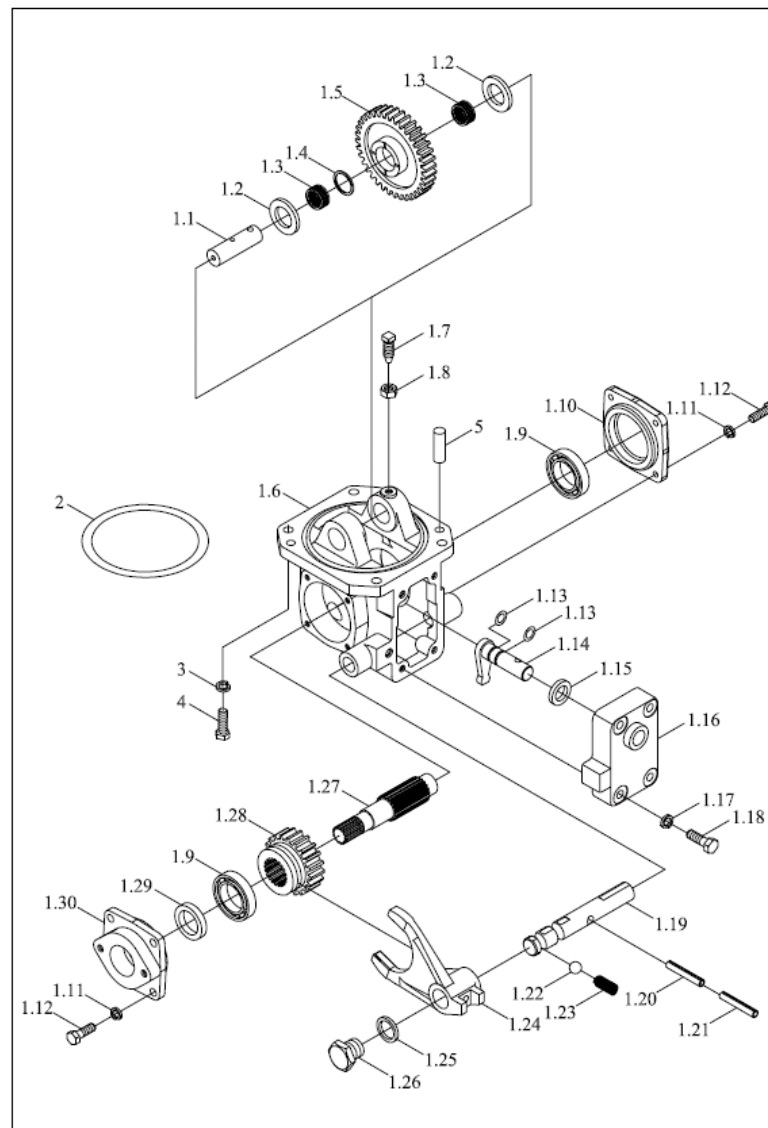
TB550.413D 动力输出操纵总成



## TB550.413D 41.3-动力输出操纵总成(续)

标号 No.	代号 Code	名称 Description	数量 Quantity	备注 Remark
4	FT300.41.128	SPACER BUSH	1	2011-11_
5	GBT882-B10X30	PIN	2	2011-11_
6	FT300.43.108	PULL ROD FRONT FORK	2	2011-11_
7	FT300.41E.112	CONTROL ROD	1	2011-11_
8	FT300.41.130	SHAFT SLEEVE	1	2011-11_
9	FT300.41.129	WASHER	1	2011-11_

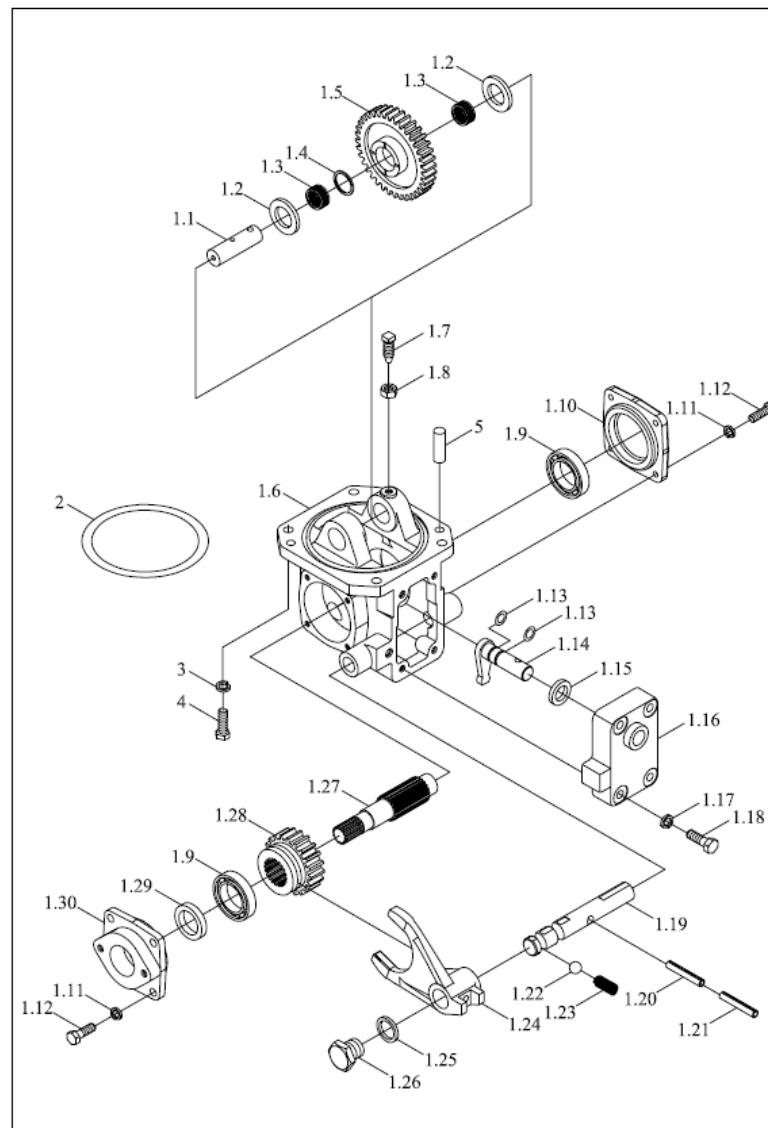
TB554.421C Transfer case housing assembly



## TB554.421C 42.1-分动箱箱体总成 42.1-TRANSFER CASE HOUSING ASSEMBLY

标号 No.	代号 Code	名称 Description	数量 Quantity	备注 Remark
1	TB554.421C.1	TRANSFER CASE INSTALLATION ASSEMBLY	1	2011-11_
1	TB554.421C.1	TRANSFER CASE INSTALLATION ASSEMBLY	1	2011-11_
1.1	FT304.42.117	BEARING COVER	1	2011-11_
1.1	FT304.42.117	BEARING COVER	1	2011-11_
1.1	FT304.42.102	IDLER SHAFT	1	2011-11_
1.11	GBT93-8-AOP	SPRING WASHER	8	2011-11_
1.12	GBT5783-M8X20-A2L	BOLT	8	2011-11_
1.13	GBT3452.1-17.0X1.80G	O-SEAL RING	2	2011-11_
1.14	TB554.421E.1.1	ROTARY SHAFT WELDMENT	1	2011-11_
1.15	TB554.423B-02	ROTARY SHAFT SPACER BUSH	1	2011-11_
1.16	TB554.421E.1-05	SIDE COVER	1	2011-11_
1.17	GBT93-10-A0P	WASHER	4	2011-11_
1.18	GBT5782-M10X45-A3L	BOLT	4	2011-11_
1.19	FT304.42F.119	TRANSFER CASE FORK SHAFT	1	
1.19	TB554.421E.1-04	FORK SHAFT	1	2007-03_
1.2	FT304.42F.103	PLATE;THRUST	2	2011-11_
1.2	GBT879.1-6X30	PIN	1	2011-11_
1.21	GBT879.1-3.5X30	PIN	1	2011-11_
1.22	GBT308-10-G100-b	BALL	1	2011-11_
1.23	FT800.37.139	SPRING	1	2009-12_
1.23	FT804.42.151	SPRING	1	2004-01_
1.24	TB554.421E.1-06	RELEASE SHIFT FORK	1	2011-11_
1.25	JBT982-18	COMBINED SEAL GASKET	2	2011-11_
1.25	JBT982-18	COMBINED SEAL GASKET	2	2011-11_
1.26	FT804.42.110	SCREW PLUG	2	2011-11_

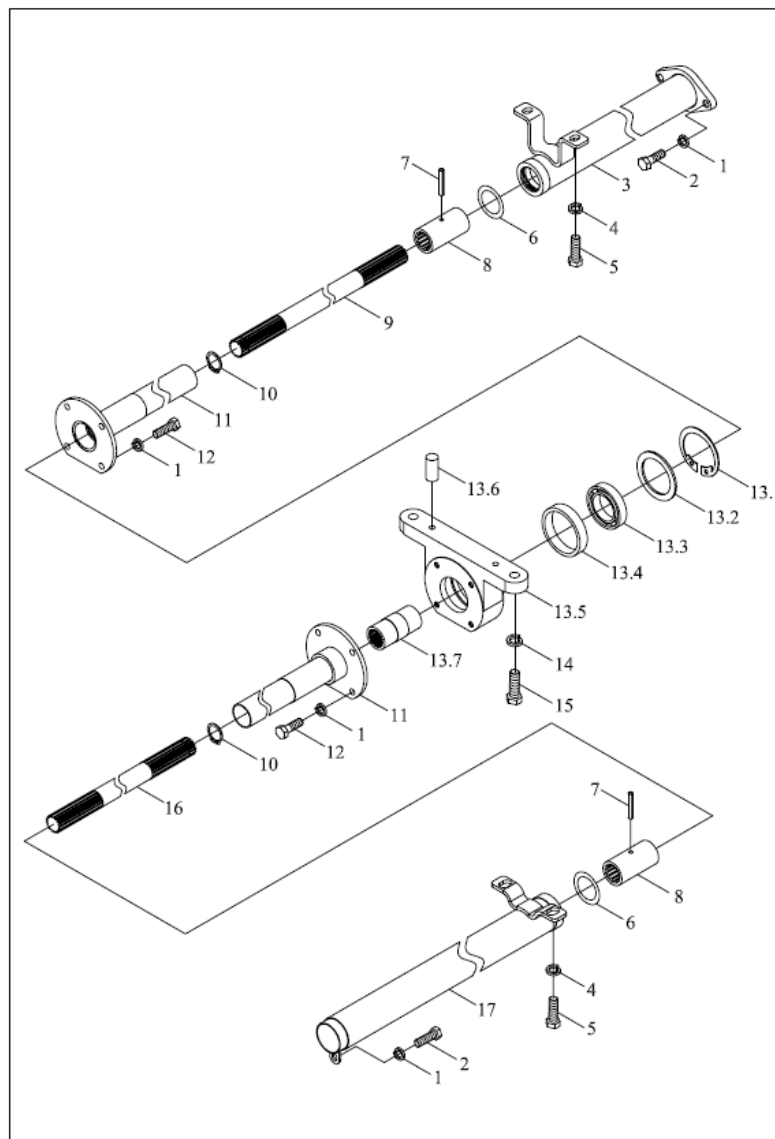
TB554.421C Transfer case housing assembly



## TB554.421C 42.1-分动箱箱体总成(续)

标号 No.	代号 Code	名称 Description	数量 Quantity	备注 Remark
1.27	FT304.42F.105	TRANSFER CASE OUTPUT SHAFT	1	2011-11_
1.28	TB554.421C.1-01	TRANSFER CASE DRIVEN GEAR	1	2011-11_
1.29	GBT9877.1-FB30X52X7D	O RING	1	2011-11_
1.3	FT304.42F.106	BEARING SEAT	1	2011-11_
1.3	JBT7918-K25X31X20	NEEDLE AND CARRIER UNIT	2	2011-11_
1.4	FT304.42.126	NEEDLE INNER SPACER SLEEVE	1	2011-11_
1.5	FT304.42F.125	TRANSFER CASE IDLER	1	2011-11_
1.6	FT304.42F.101	TRANSFER CASE BODY	1	
1.6	FT304.42F.101a	TRANSFER CASE BODY	1	2007-03_
1.7	FT304.42.112	THRUST SCREW	1	2011-11_
1.8	GBT6173-M10X1-A2L	NUT	1	2011-11_
1.9	GBT276-6306	BEARING	2	2011-11_
2	GBT3452.1-132X3.55G	O-SEAL RING	1	2011-11_
3	GBT93-10-A0P	WASHER	4	2011-11_
4	GBT5783-M10X30-8.8-A3L	BOLT	4	2009-05_
4	GBT5783-M10X25-A3L	BOLT	4	2004-01_

TB454.422Transfer case driven assembly

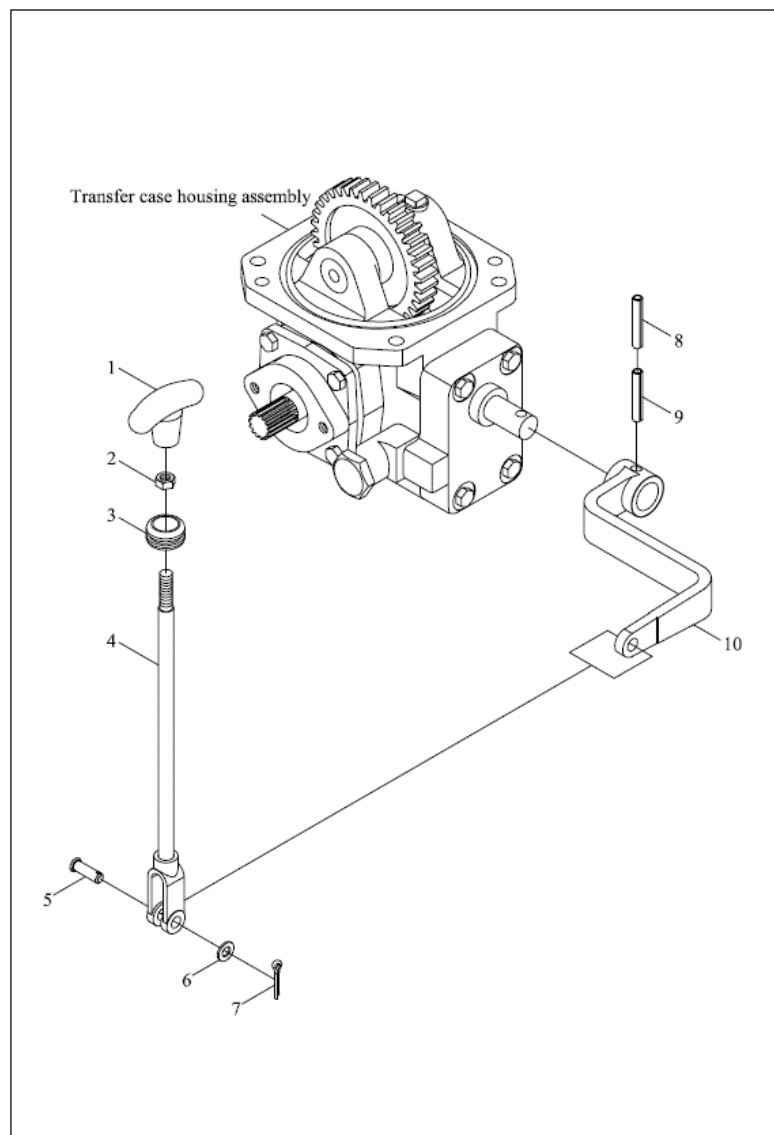




## TB454.422 42.2-分动箱传动总成 42.2-TRANSFER CASE TRANSMISSION ASSEMBLY

标号 No.	代号 Code	名称 Description	数量 Quantity	备注 Remark
1	GBT93-8-AOP	SPRING WASHER	11	2011-11_
10	GBT894.1-26	SNAP RING	2	2011-11_
11	FT304.42X.017	GUARD SLEEVE WELDMENT (2)	2	2011-11_
12	GBT5783-M8X20-A2L	BOLT	8	2011-11_
13	TB554.422.1	MIDDLE BEARING SEAT ASSEMBLY	1	2011-11_
13.1	GBT893.2-72	SNAP RING	1	2011-11_
13.2	FT304.42X.136		1	2011-11_
13.3	GBT276-6007-2RZ	BEARING	1	2011-11_
13.4	FT304.42X.137	RUBBER RING	1	2011-11_
13.5	FT304.42X.138	MIDDLE BEARING SEAT	1	2011-11_
13.6	GBT119.1-8m6X20-A0P	PIN	2	2007-04_
13.7	FT304.42X.135	MIDDLE SPLINE BUSH	1	2011-11_
14	GBT93-12-AOP	WASHER	2	2011-11_
15	GBT5783-M12X40-A3L	BOLT	2	2011-11_
16	FT404.42.139	FRONT TRANSMISSION SHAFT	1	2011-11_
17	FT404.42.016	GUARD SLEEVE WELDMENT (3)	1	2011-11_
17	FT404.42.016	GUARD SLEEVE WELDMENT (3)	1	2011-11_
2	GBT5783-M8X16-A2L	BOLT	3	2011-11_
3	FT304.42F.015	BONNET (1) WELDMENT	1	2011-11_
4	GBT93-10-A0P	WASHER	4	2011-11_
5	GBT5783-M10X20-A3L	BOLT	4	2011-11_
6	GBT3452.1-34.5X3.55G	O-SEAL RING	2	2011-11_
7	GBT879.1-6X35	PIN	2	2011-11_
8	FT304.42.107a	SPLINE BUSH	2	2011-11_
9	FT404.42.128	REAR TRANSMISSION SHAFT	1	2011-11_

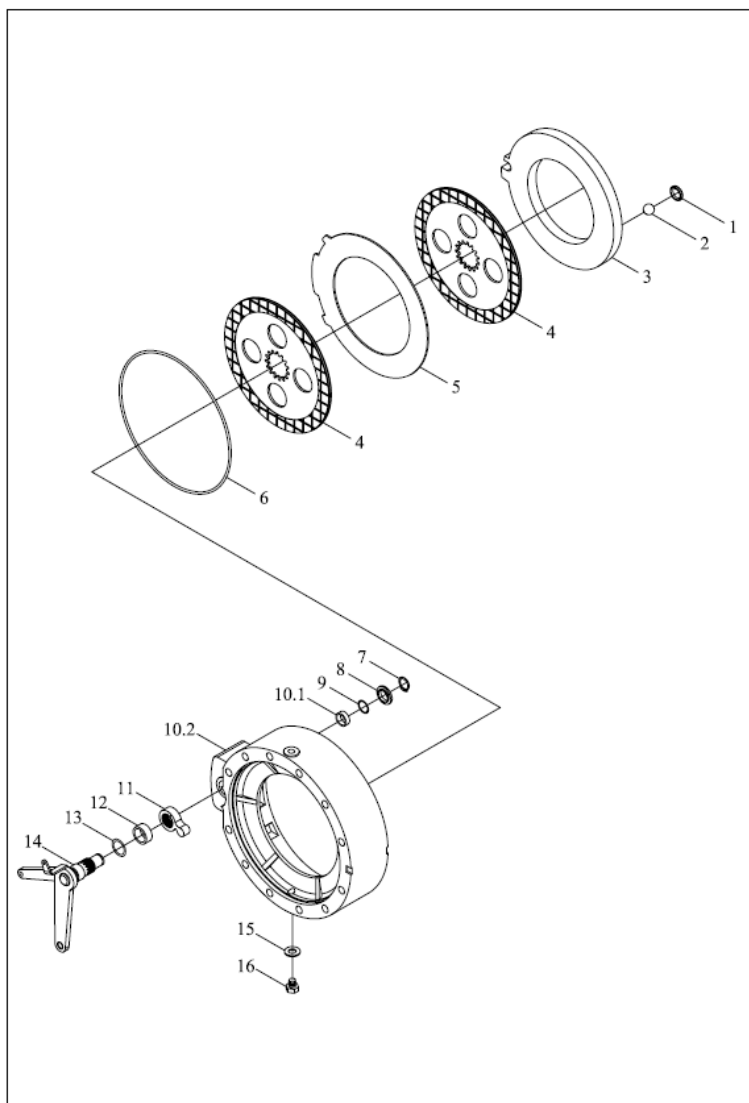
TB554.423C Transfer case control assembly



## TB554.423C 42.3-分动箱操纵总成 42.3-TRANSFER CASE CONTROL ASSEMBLY

标号 No.	代号 Code	名称 Description	数量 Quantity	备注 Remark
1	FT65.38.051	PULL/PRESS HANDLE	1	2011-11_
10	TB554.423C-01	ROCKER	1	2011-11_
2	GBT6170-M10-A3L	NUT	1	2011-11_
3	TG1204.435.2	SEAL RUBBER RING	1	2004-01_
3	FT304.42D.137	SEAL RUBBER RING	1	2011-11_
4	FT304.42D.021	CONTROL ROD UNIT	1	2008-03_
4	TB554.423B.3	CONTROL ROD UNIT	1	2010-02_
5	GBT882-B10X30	PIN	1	2011-11_
6	GBT97.1-10-A0P	WASHER	1	2011-11_
7	GBT91-3.2X16-A0P	PIN	1	2011-11_
8	GBT879.1-5X32	PIN	1	2011-11_
9	GBT879.1-8X32	PIN	1	2011-11_

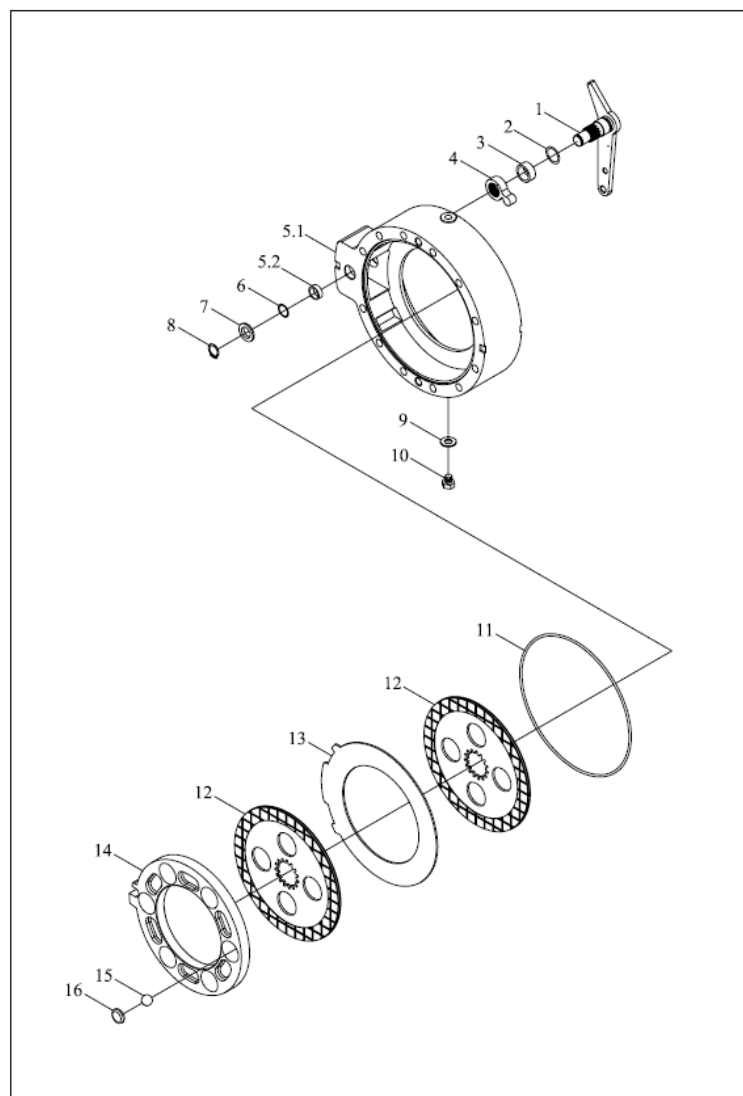
TB504.431 左制动器总成



## TB504.431 43.1-左制动器总成 43.1-LEFT BRAKE ASSEMBLY

标号 No.	代号 Code	名称 Description	数量 Quantity	备注 Remark
1	FT300.43.102	BOWL PLUG	6	2011-11_
10	FT300.43.012	LEFT BRAKE HOUSING ASSEMBLY	1	2011-11_
10.1	FT300.43.114	CRANK SHAFT BUSH	1	
10.2	FT300.43.121	LEFT BRAKE HOUSING	1	2011-11_
11	FT300.43.106	SHIFTING BLOCK	1	2011-11_
12	FT300.43.107	SPACER BUSH	1	2011-11_
13	GBT3452.1-20.0X2.65G	O-SEAL RING	1	2011-11_
14	TB504.431.1	LEFT CRANK UNIT	1	2011-11_
14	TB504.431.1	LEFT CRANK UNIT	1	2011-11_
15	FT300.43.153	FINAL TRANSMISSION OIL DRAINING PORT WASHER	1	2011-11_
15	JBT982-12	COMBINED SEAL GASKET	1	2013-04_
16	FT300.43.154	SCREW PLUG	1	2011-11_
2	GBT308-18.000-G100-b	BALL	6	2011-11_
3	FT300.43.103	LEFT BRAKE PRESSURE PLATE	1	2011-11_
4	FT300.43.011	BRAKE FRICTION PLATE ASSEMBLY	2	2011-11_
5	FT300.43.105	SPACER PLATE	1	2011-11_
6	FT300.43.101	O-RING	1	2011-11_
7	GBT894.1-18	RETAINER RING	1	2011-11_
8	FT300.43.109a	WASHER	1	2011-11_
9	GBT452.1-18.0X2.65	O-RING	1	2011-11_

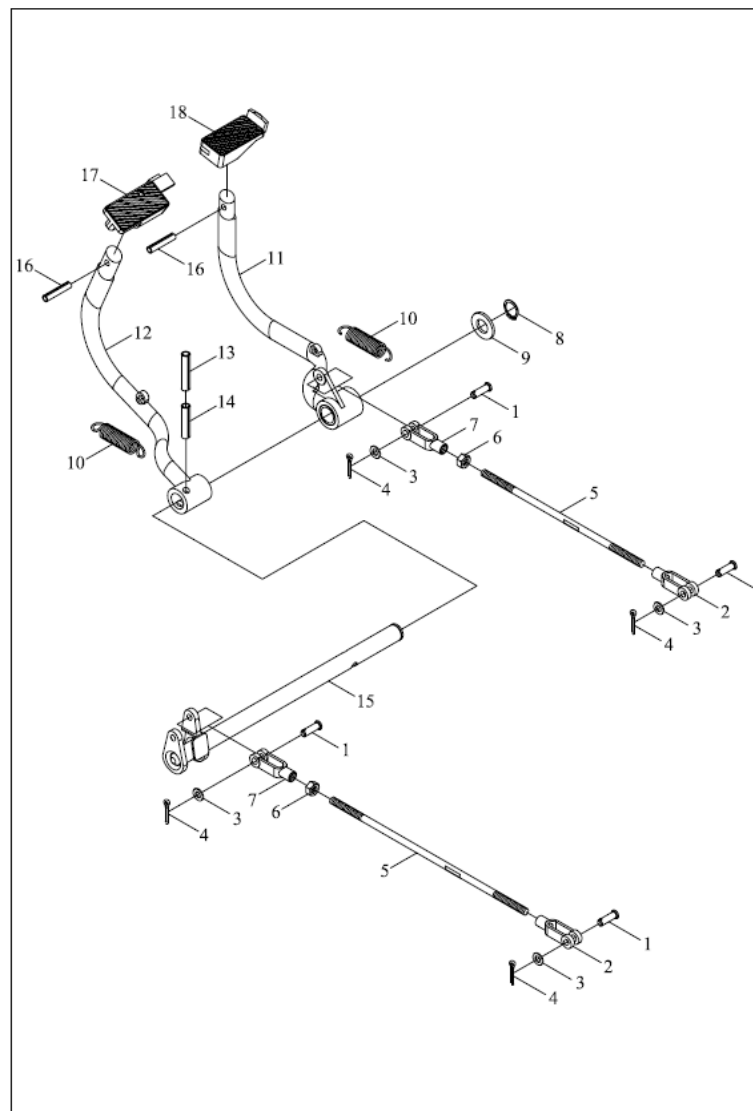
TB504.432 右制动器总成



## TB504.432 43.2-右制动器总成 43.2-RIGHT BRAKE ASSEMBLY

标号 No.	代号 Code	名称 Description	数量 Quantity	备注 Remark
1	TB504.432.1	RIGHT CRANK UNIT	1	2011-11_
10	FT300.43.154	SCREW PLUG	1	2011-11_
11	FT300.43.101	O-RING	1	2011-11_
12	FT300.43.011	BRAKE FRICTION PLATE ASSEMBLY	2	2011-11_
13	FT300.43.105	SPACER PLATE	1	2011-11_
14	FT300.43.104	RIGHT BRAKE PLATEN	1	2011-11_
15	GBT308-18.000-G100-b	BALL	6	2011-11_
16	FT300.43.102	BOWL PLUG	6	2011-11_
2	GBT3452.1-20.0X2.65	O.RING	1	2011-11_
3	FT300.43.107	SPACER BUSH	1	2011-11_
4	FT300.43.106	SHIFTING BLOCK	1	2011-11_
5	FT300.43.013	RIGHT BRAKE HOUSING ASSEMBLY	1	2011-11_
5.1	FT300.43.122	RIGHT BRAKE HOUSING	1	2011-11_
5.2	FT300.43.114	CRANK SHAFT BUSH	1	2011-11_
6	GBT3452.1-20.0 × 2.65	O-RING		2011-11_
7	FT300.43.109a	WASHER	1	2011-11_
8	GBT894.1-18	RETAINER RING	1	2011-11_
9	JBT982-12	COMBINED SEAL GASKET	1	2013-04_
9	FT300.43.153	FINAL TRANSMISSION OIL DRAINING PORT WASHER	1	2011-11_

TB504.433 制动器操纵机构总成-1

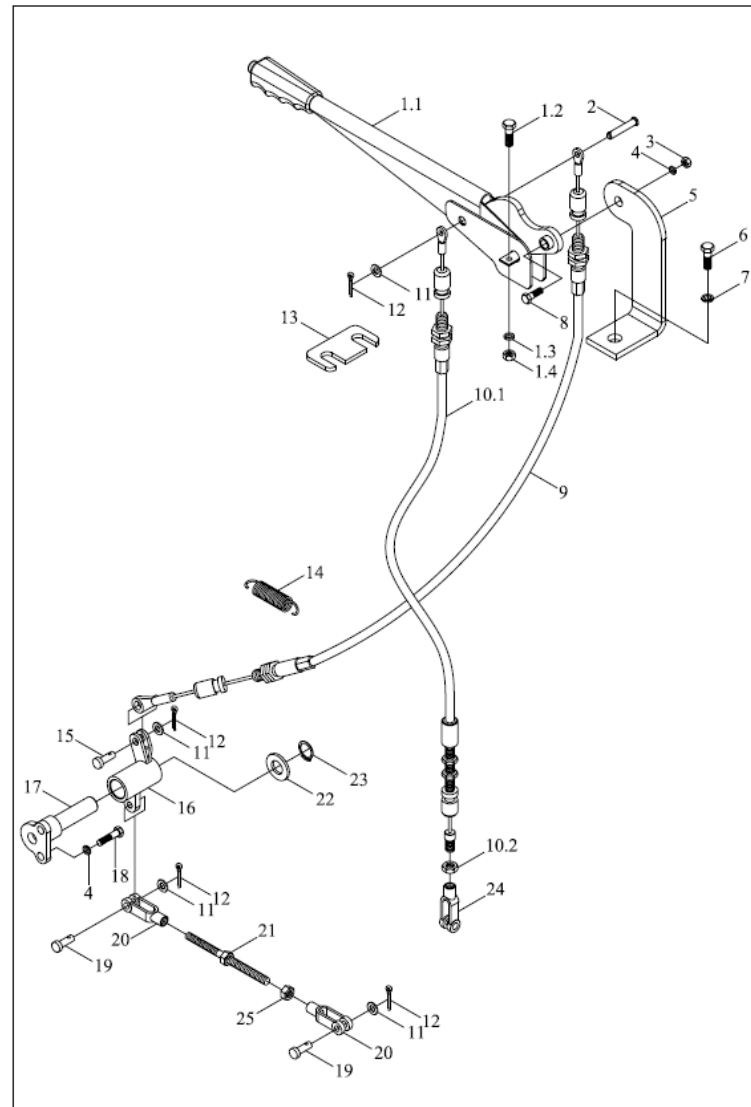




## TB504.433-1 43.3.1-制动器操纵机构总成-1 BRAKE CONTROL MECHANISM ASSEMBLY-1

标号 No.	代号 Code	名称 Description	数量 Quantity	备注 Remark
1	GBT882-B10X28-A0P	PIN	4	2011-11_
10	FT300.43.130	PEDAL RETURN SPRING	2	
11	TB504.433.3	RIGHT BRAKE PEDAL BODY UNIT	1	2011-11_
12	TB504.433.1	LEFT BRAKE PEDAL UNIT	1	
13	GBT879.1-6X40	SPRING COLUMN PIN	1	2011-11_
14	GBT879.1-10X40	PIN	1	2011-11_
15	FT300.43.020a	PEDAL SHAFT UNIT	1	2011-11_
16	GBT879.1-8X30	PIN	2	2011-11_
17	TB504.433.10	LEFT BRAKE PEDAL BODY WELDMENT	1	
18	TB504.433.3.1	RIGHT BRAKE PEDAL BODY WELDMENT	1	
2	FT300.43.110	PULL ROD REAR FORK	2	2011-11_
3	GBT97.1-10-A0P	WASHER	4	2011-11_
4	GBT91-3.2X16-A0P	PIN	4	2011-11_
5	TB504.433-07	PULL ROD	2	2010-02_
5	FT300.43.120	PULL ROD	2	2004-01_
6	GBT6170-M10-A3L	NUT	2	2011-11_
7	FT300.43.108	PULL ROD FRONT FORK	2	
7	TA700.431A-01	DEXTROROTATION LONG HOLE CONNECT FORK	4	2009-01_
8	GBT894.1-25	RETAINER RING	1	2011-11_
9	GBT97.1-24-A0P	WASHER	1	2011-11_
9	GBT97.1-24-A0P	WASHER	1	2011-11_

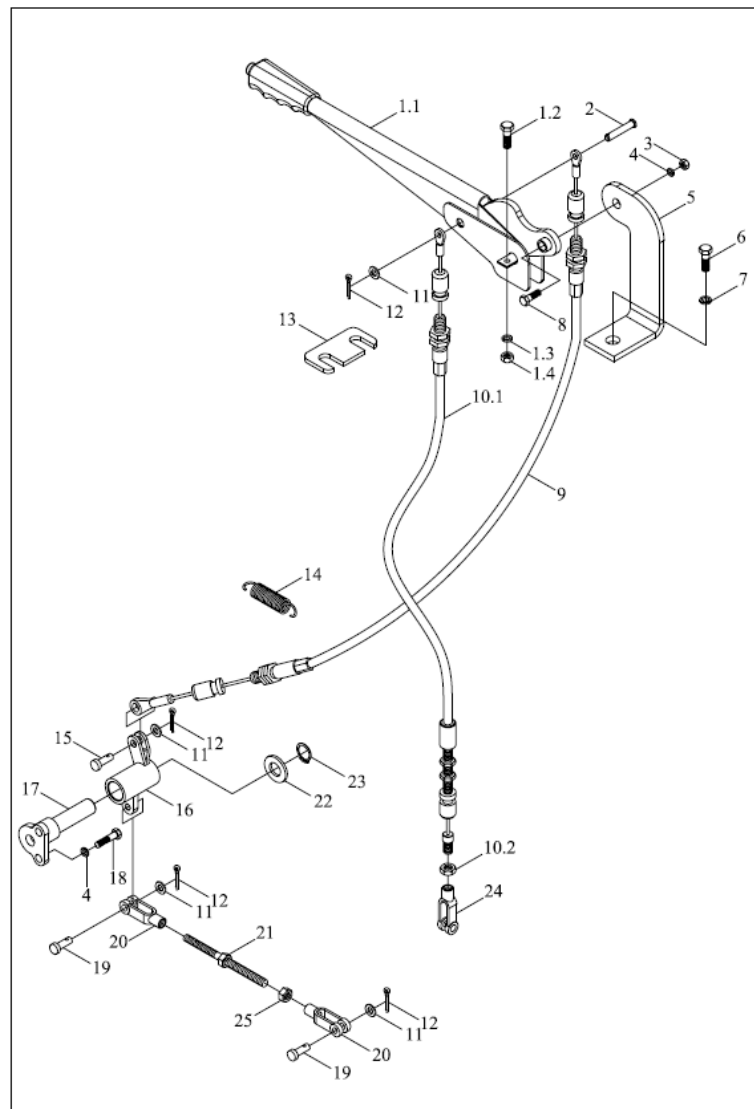
TB504.433 制动器操纵机构总成 -2



## TB504.433-2 43.3.2-制动器操纵机构总成-2 BRAKE CONTROL MECHANISM ASSEMBLY-2

标号 No.	代号 Code	名称 Description	数量 Quantity	备注 Remark
1	TA820.213D.3	HAND BRAKE HANDLE ASSEMBLY	1	
1.1	TA820.213D.3.1	HAND BRAKE HANDLE	1	
1.2	GBT5781-M8X30-A2L	BOLT	2	2011-11_
1.3	GBT93-8-A0P	WASHER	2	2011-11_
1.4	GBT6170-M8-A2L	NUT	2	2011-11_
10	TB504.433.7	PULL WIRE INSTALLATION ASSEMBLY OF LEFT BRAKE	1	2011-11_
10	TB504.433.7	PULL WIRE INSTALLATION ASSEMBLY OF LEFT BRAKE	1	2011-11_
10.1	TB504.433.7.1	LEFT BRAKE WIRE ASSEMBLY	1	2011-11_
10.2	GBT6173-M8X1-05-A2L	NUT	1	2011-11_
11	GBT97.1-10-A0P	WASHER	5	2011-11_
12	GBT91-3.2X16-A0P	PIN	5	2011-11_
13	TE250.433C-12	UPPER FIXING PLATE OF BRAKE PULL WIRE	1	2011-11_
14	TB504.433-09	BRAKE CRANK RETURN SPRING	1	2010-06_
14	TB504.433-02	BRAKE CRANK RETURN SPRING	2	2011-11_
15	GBT882-B10X24-A0P	PIN	1	2011-11_
16	TB504.433.5	TRANSITION SHAFT SLEEVE UNIT OF RIGHT BRAKE	1	2011-11_
17	TB504.433.4	TRANSITION ROTARY SHAFT WELDMENT OF RIGHT BRAKE	1	2011-11_
18	GBT5783-M8X25-A2L	BOLT	2	2011-11_
19	GBT882-B10X28-A0P	PIN	2	2011-11_
2	GBT882-B10X40-A0P	PIN	1	2011-11_
20	TE250.433C-11	CONNECTING ROD FORK	2	2011-11_
21	TB504.433.6	MIDDLE PULL LEVER WELDMENT OF RIGHT BRAKE	1	2011-11_
22	GBT97.1-20-A0P	WASHER	1	2011-11_
22	GBT97.1-20-A0P	WASHER	1	2011-11_
23	GBT894.1-20	BLCOKING RING	1	2011-11_

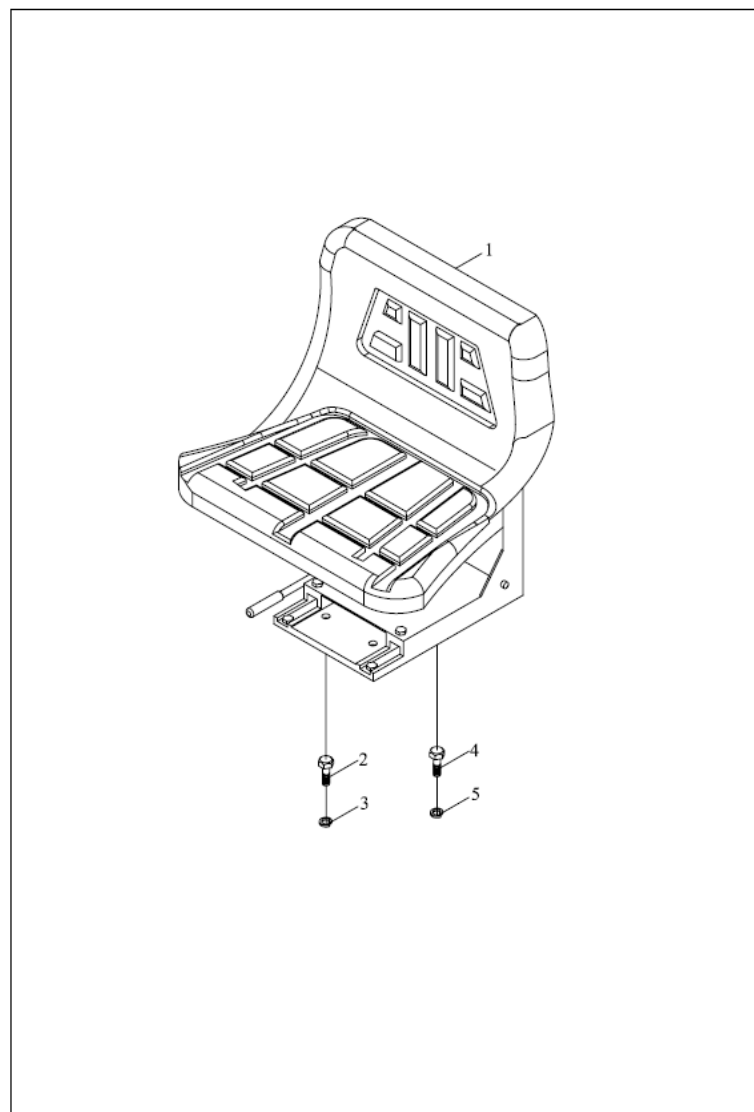
TB504.433 制动器操纵机构总成 -2



## TB504.433-2 43.3.2-制动器操纵机构总成-2(续)

标号 No.	代号 Code	名称 Description	数量 Quantity	备注 Remark
24	FT800A.43B.119	LEFT REVOLVING PULL ROD FORK	1	2011-11_
25	GBT6170-M10-LH-A3L	NUT	1	2011-11_
3	GBT6170-M8-A2L	NUT	1	2011-11_
4	GBT93-8-A0P	WASHER	2	2011-11_
5	TA820.213D.1	RATCHET WHEEL BRACKET WELDMENT	1	
6	GBT5783-M10X25-A3L	BOLT	1	2011-11_
7	GBT93-10-A0P	WASHER	1	2011-11_
8	GBT5783-M8 × 35-A2L	BOLT	1	
9	TB504.433.8	PULL WIRE INSTALLATION ASSEMBLY OF RIGHT BRAKE	1	2011-11_

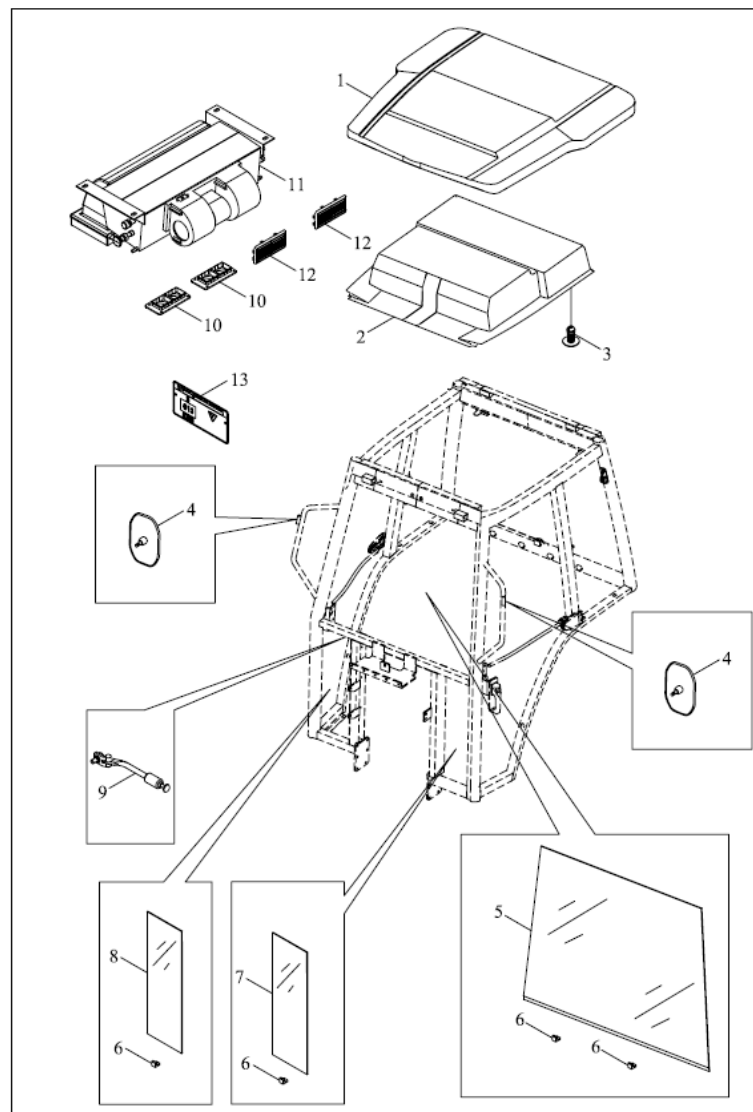
TB400.44F 座椅安装总成



## TB400.44F 44-座椅安装总成 44SEAT INSTALLATION ASSEMBLY

标号 No.	代号 Code	名称 Description	数量 Quantity	备注 Remark
1	TB400.44F.1	SEAT ASSEMBLY	1	2011-11_
2	GBT5783-M10X25-A3L	BOLT	2	2011-11_
3	GBT93-10-AOP	WASHER	2	2011-11_
4	GBT5783-M8X25-8.8-A2L	BOLT	2	
5	GBT93-8-AOP	SPRING WASHER	2	2011-11_

TB600.45X 驾驶室总成-2

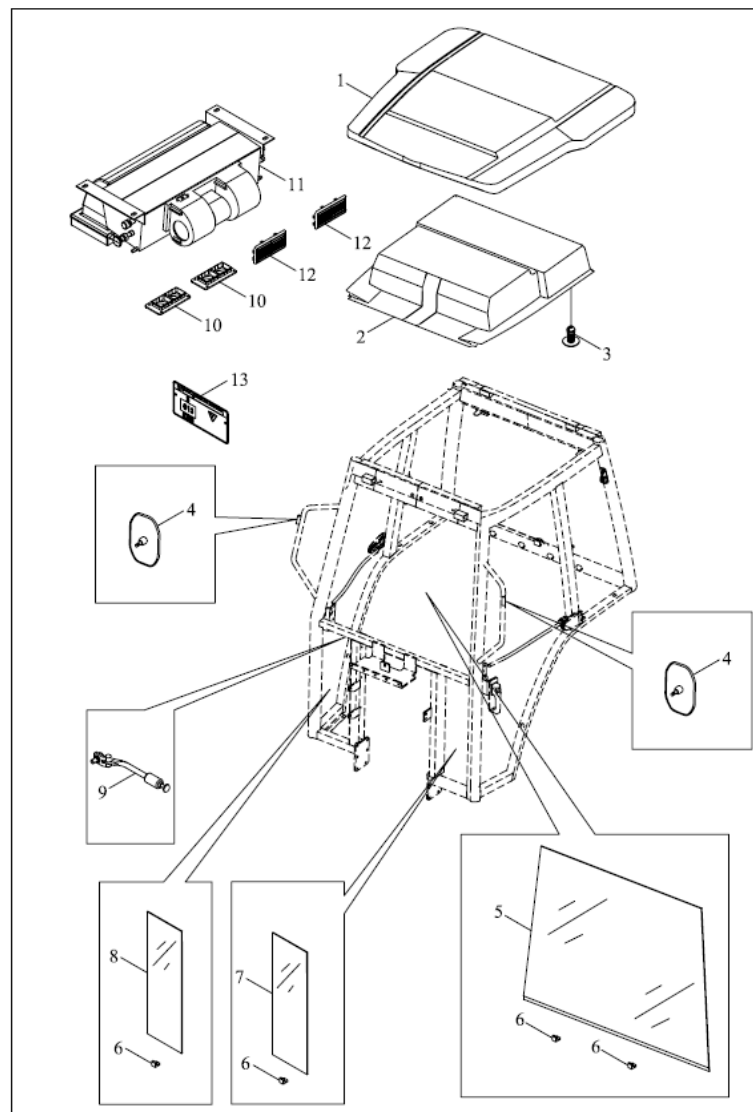




## TB600.45X-2 45-驾驶室总成-2 DRIVER' S CAB ASSEMBLY-2

标号 No.	代号 Code	名称 Description	数量 Quantity	备注 Remark
0	TB600.45X.1		1	2011-11_
1	TD800.486B.1	RIGHT ARMREST LIGHT ASSEMBLY	2	2011-11_
1	TB600.45M-02	TOP COVER ASSEMBLY	1	2011-11_
1	TB600.45M-02	TOP COVER ASSEMBLY	1	2011-11_
10	TG1204.81.7	WIND OUTPUT GATE	2	2011-11_
11	TB400.811.1	EVAPORATOR	1	2011-11_
12	TG1204.81.6	WIND RETURN MOUTH	2	2011-11_
12	TG1204.81.6	WIND RETURN MOUTH	2	2011-11_
13	TB600.45N.1-01	CAB EC SIGN BRAND	1	2011-11_
2	TB600.45M-01	INNER TOP LINER	1	2011-11_
2	TB450.486A.3-01	FIXING PLATE OF LICENSE LAMP	1	2011-11_
3	TB600.45L.3	RIGHT SIDE WINDOW ASSEMBLY	1	2011-11_
3	TB600.45L.2	LEFT SIDE WINDOW ASSEMBLY	1	2011-11_
3	TB600.45.1-45	UPHOLSTERY TOP BUTTON	14	2011-11_
3.1	TB600.45L-16	RIGHT SIDE WINDOW GLASS RUBBER STRIP	1	2011-11_
3.2	TB600.45L-20	LEFT SIDE WINDOW GLASS	1	2011-11_
3.2	TB600.45L-21	RIGHT WINDOW GLASS	1	2011-11_
3.3	TB600.45L.2.1	SIDE WINDOW HINGE UNIT	2	2011-11_
3.31	GBT819.1-M8X20-4.8-A2L	CUNERSUNK FLAT HEAD SCREW WITH CROSS RECESS	1	2011-11_
3.32	TB600.45L.2.1-01	SIDE WINDOW HINGE	1	2011-11_
3.33	TB600.45L.2.1-02	HINGE WASHER OF SIDE WINDOW	1	2011-11_
3.34	TB600.45L.2.1-04	PLASTIC NUT WASHER	1	2011-11_
3.4	TB600.45L.2.2	LEFT SIDE WINDOW HANDLE	1	2011-11_
4	TB400.456A.3	REARVIEW MIRROR ASSEMBLY	2	2011-11_
5	TB600.45L-76	FRONT WINDSHIELD	1	2006-01_

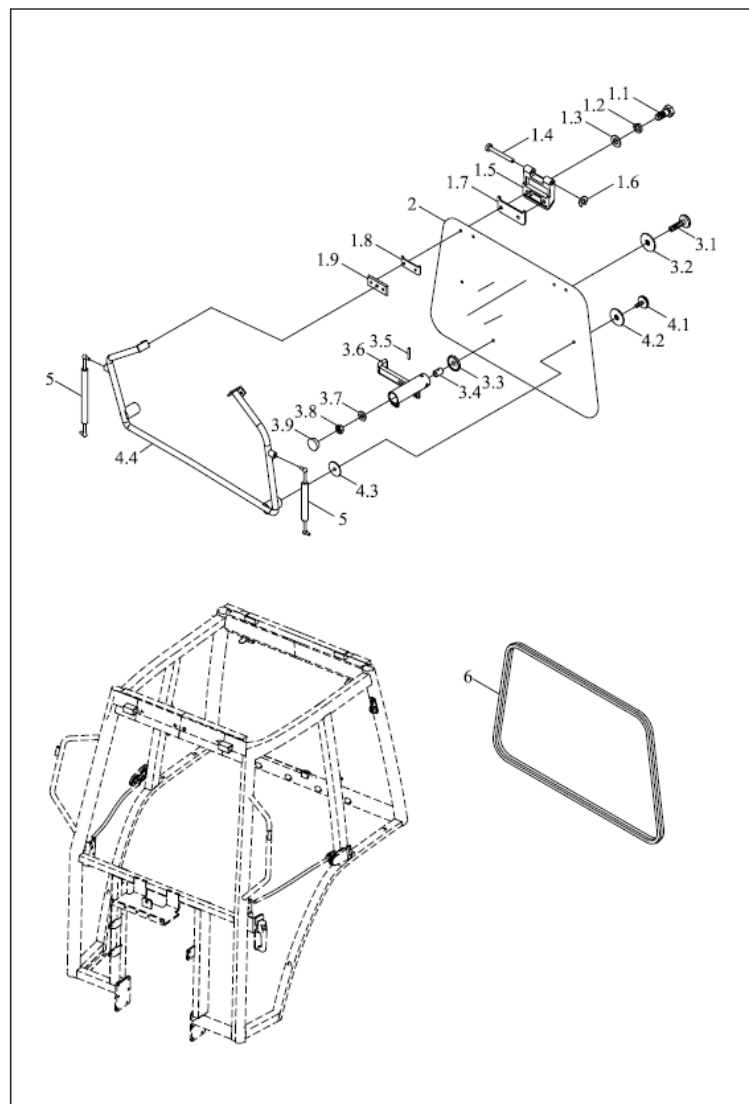
TB600.45X 驾驶室总成-2



## TB600.45X-2 45-驾驶室总成-2(续)

标号 No.	代号 Code	名称 Description	数量 Quantity	备注 Remark
5	TB600.45L-23	FRONT WINDSHIELD	1	2012-09_
6	TB600.45-03	GLASS MAT BLOCK	4	2011-11_
7	TB600.45L-24	LEFT FRONT LOWER WINDOW GLASS	1	2011-11_
8	TB600.45L-25	RIGHT FRONT LOWER WINDOW GLASS	1	2011-11_
9	TB600.45-05	SUPPORTING PLATE ASSEMBLY	2	2011-11_

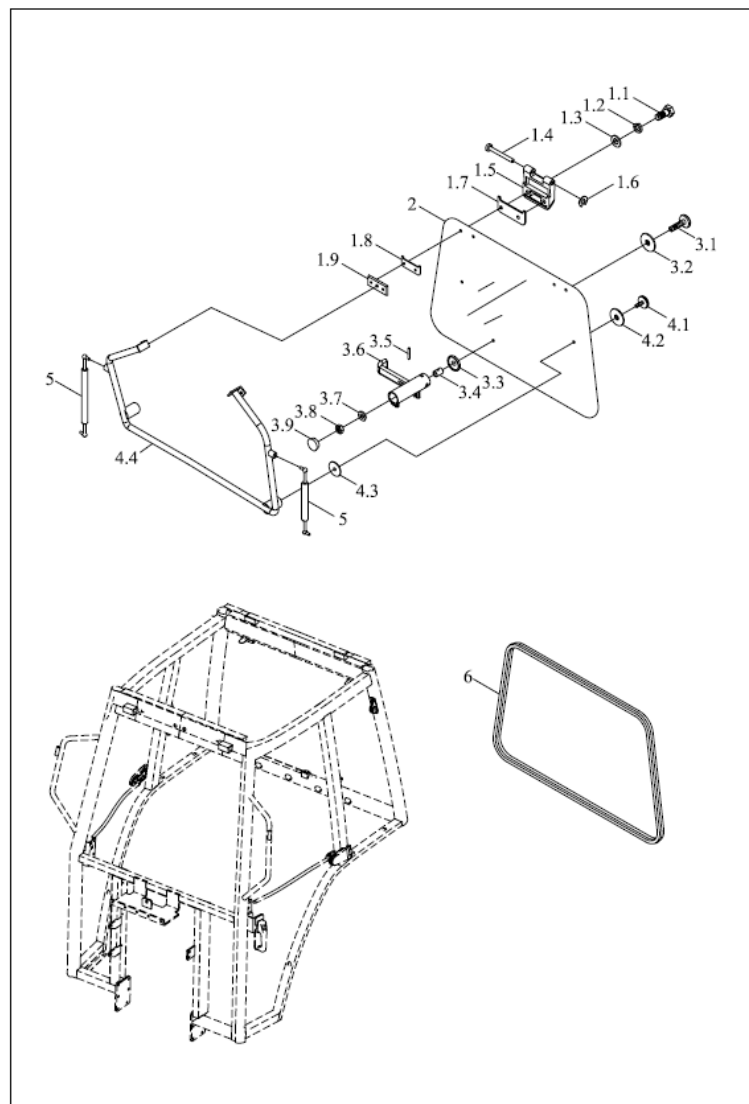
TB600.45X 驾驶室总成-3



## TB600.45X-3 45-驾驶室总成-3 DRIVER' S CAB ASSEMBLY-3

标号 No.	代号 Code	名称 Description	数量 Quantity	备注 Remark
.1	TB600.45X.1		1	2011-11_
.2	TB600.45L.4	REAR WINDOW ASSEMBLY	1	2011-11_
1	TB600.45.6.2	REAR WINDOW HINGE	2	2011-11_
1.1	GBT5781-M6X25-4.8-A2L	BOLT	2	2011-11_
1.2	GBT93-6-A0P	SPRING WASHER	2	2011-11_
1.3	GBT97.1-6-A0P	WASHER	2	2011-11_
1.4	TB600.45.6.2-05	HINGE SHAFT OF REAR WINDOW	1	2011-11_
1.4	TB600.45.6.2-05	HINGE SHAFT OF REAR WINDOW	1	2011-11_
1.5	TB600.45.6.2-01	REAR WINDOW HINGE SEAT	1	2011-11_
1.6	TB600.45.6.2-06	CIRCLIP	1	2011-11_
1.7	TB600.45.6.2-04	EXTERNAL MAT OF REAR WINDOW HINGE	1	2011-11_
1.8	TB600.45.6.2-03	INTERNAL MAT OF REAR WINDOW HINGE	1	2011-11_
1.9	TB600.45.6.2-02	HINGE PRESS COVER OF REAR WINDOW	1	2011-11_
2	TB600.45L-22	REAR WINDOWSHIELD	1	2011-11_
3	TB600.45.6.1	LOCKING BODY ASSEMBLY OF REAR WINDOW	1	2011-11_
3.2	TB600.45.6.1-03	LOCKING INTERNAL MAT B (FLAT) OF REAR WINDOW	1	2011-11_
3.2	TB600.45.6.1-03	LOCKING INTERNAL MAT B (FLAT) OF REAR WINDOW	1	2011-11_
3.3	TB600.45.6.1-02	LOCKING EXTERNAL MAT A (PROTRUDING) OF REAR WINDOW	1	2011-11_
3.4	TB600.45.6.1-05	CLAMP BUSH	1	2011-11_
3.5	TB600.45.6.1-07	PIN	1	2011-11_
3.6	TB600.45.6.1-01	LOCKING BODY OF REAR WINDOW	1	2011-11_
3.7	GBT97.1-12-A0P	WASHER	1	2011-11_
3.8	GBT6170-M12-8-A3L	NUT	1	2011-11_
3.9	TB600.45.6.1-04	COVER REAR	1	2011-11_
4	TB600.45.6.3	REAR WINDOW HANDLE WELDMENT	1	2011-11_

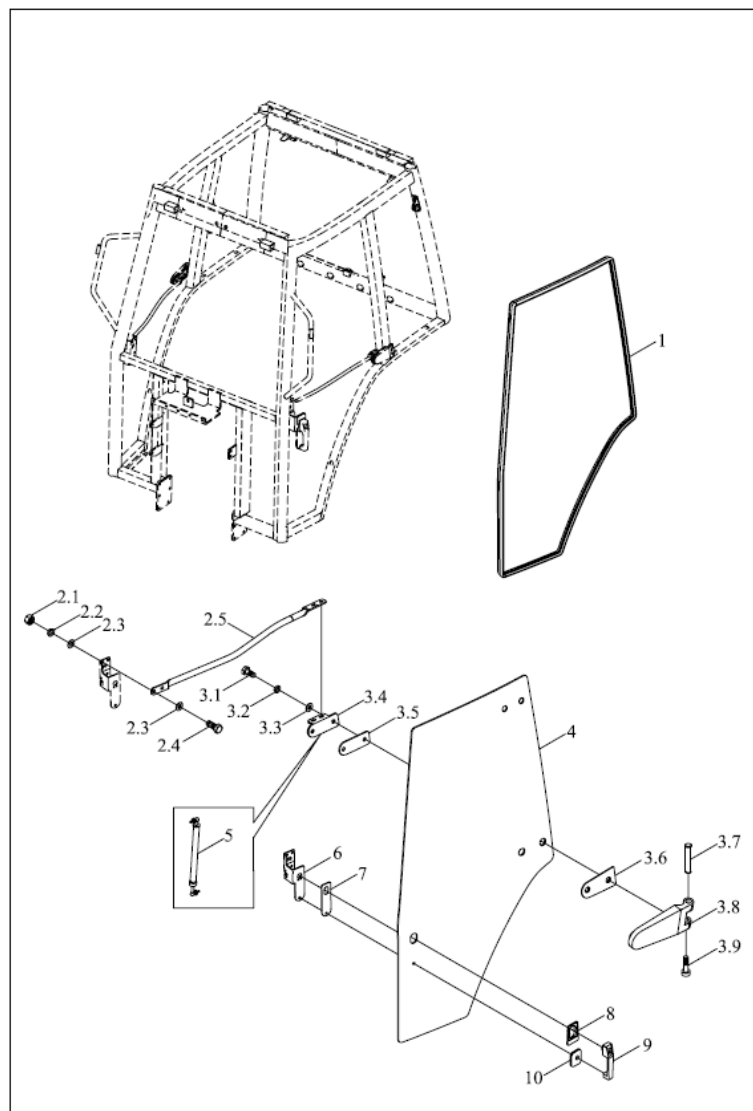
TB600.45X 驾驶室总成-3



## TB600.45X-3 45-驾驶室总成-3(续)

标号 No.	代号 Code	名称 Description	数量 Quantity	备注 Remark
4.2	TB600.45.6.3-03	INTERNAL MAT B (FLAT) OF REAR WINDOW HANDLE	2	2011-11_
4.2	TB600.45.6.3-03	INTERNAL MAT B (FLAT) OF REAR WINDOW HANDLE	2	2011-11_
4.3	TB600.45.6.3-04	EXTERNAL MAT A (PROTRUDING) OF REAR WINDOW HANDLE	2	2011-11_
4.4	TB600.45.6.3-01	REAR WINDOW ARMREST WELDMENT	1	2011-11_
5	TB600.45L-09	REAR WINDOW PNEUMATIC SPRING	2	2011-11_
6	TB600.45L-17	REAR WINDOWSHIELD RUBBER PIECE	1	2011-11_

TB600.45X 驾驶室总成-4

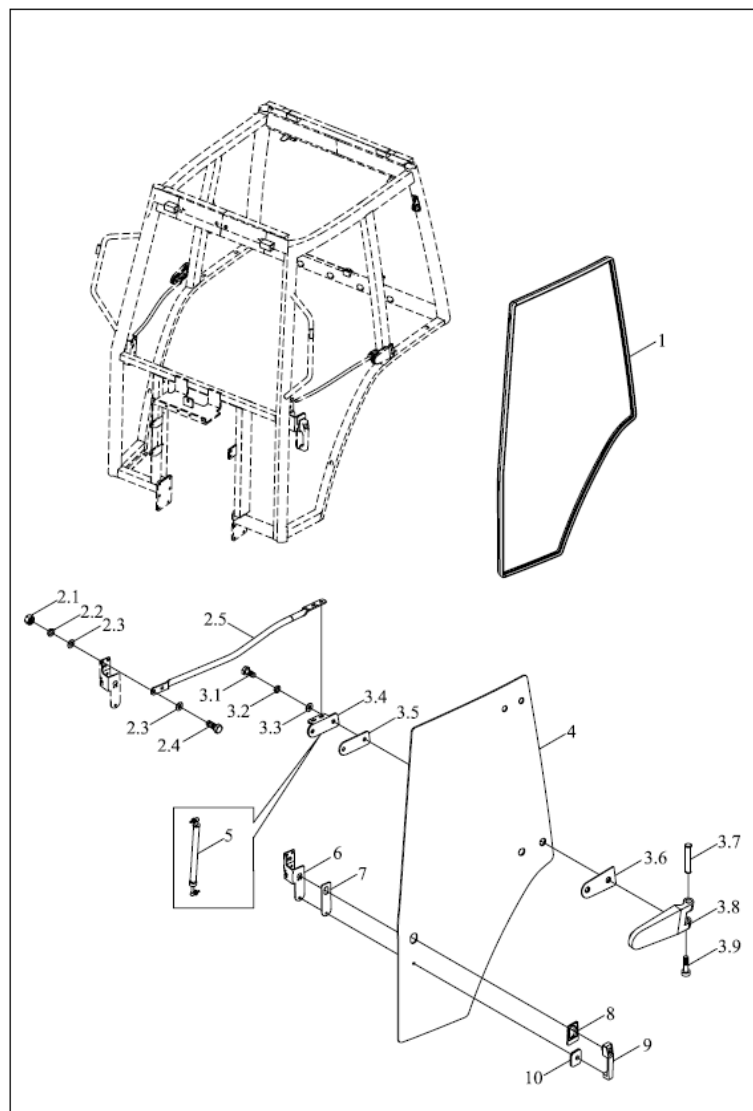




## TB600.45X-4 45-驾驶室总成-4 DRIVER' S CAB ASSEMBLY-4

标号 No.	代号 Code	名称 Description	数量 Quantity	备注 Remark
.1	TB600.45X.1		1	2011-11_
.2	TB600.45L.5	LEFT DOOR ASSEMBLY	1	2011-11_
.3	TB600.45L.6	RIGHT DOOR ASSEMBLY	1	2011-11_
1	TB600.45L-13	LEFT DOOR GLASS RUBBER STRIP	1	2011-11_
1	TB600.45L-14	RIGHT DOOR GLASS RUBBER STRIP	1	2011-11_
10	TB600.45.9-07	SMALL GASKET OF LOCK HANDLE	1	2011-11_
2	TB600.45.9.2	LEFT DOOR RAIL WELDMENT	1	2011-11_
2	TB600.45.10.2	RIGHT DOOR RAIL WELDMENT	1	2011-11_
2.1	GBT923-M8-5	NUT	4	2011-11_
2.2	GBT93-8-A0P	WASHER	4	2011-11_
2.3	GBT96.1-8-A0P	WASHER	8	2011-11_
2.4	GBT5781-M8X20-4.8-A2L	BOLT	4	2011-11_
2.5	TB600.45.10.2-01	RIGHT DOOR ARMREST	1	2011-11_
2.5	TB600.45.9.2-01	LEFT DOOR ARMREST	1	2011-11_
3	TB600.45.9.1	LEFT DOOR HINGE	2	2011-11_
3	TB600.45.10.1	RIGHT DOOR HINGE	2	2011-11_
3.1	GBT5781-M10X25-4.8-A3L	BOLT	4	2011-11_
3.2	GBT93-10-A0P	WASHER	4	2011-11_
3.3	GBT97.1-10-A0P	WASHER	4	2011-11_
3.4	TB600.45.9.1-07	INNER PLATE OF LEFT LOWER HINGE	1	2011-11_
3.4	TB600.45.9.1-06	UPPER HINGE INTERNAL PLATE	1	2011-11_
3.4	TB600.45.10.1-03	INNER PLATE OF RIGHT LOWER HINGE	1	2011-11_
3.5	TB600.45.9.1-05	HINGE INTERNAL MAT	2	2011-11_
3.6	TB600.45.10.1-01	EXTERNAL MAT OF RIGHT UPPER HINGE	1	2011-11_
3.6	TB600.45.10.1-02	EXTERNAL MAT OF RIGHT LOWER HINGE	1	2011-11_

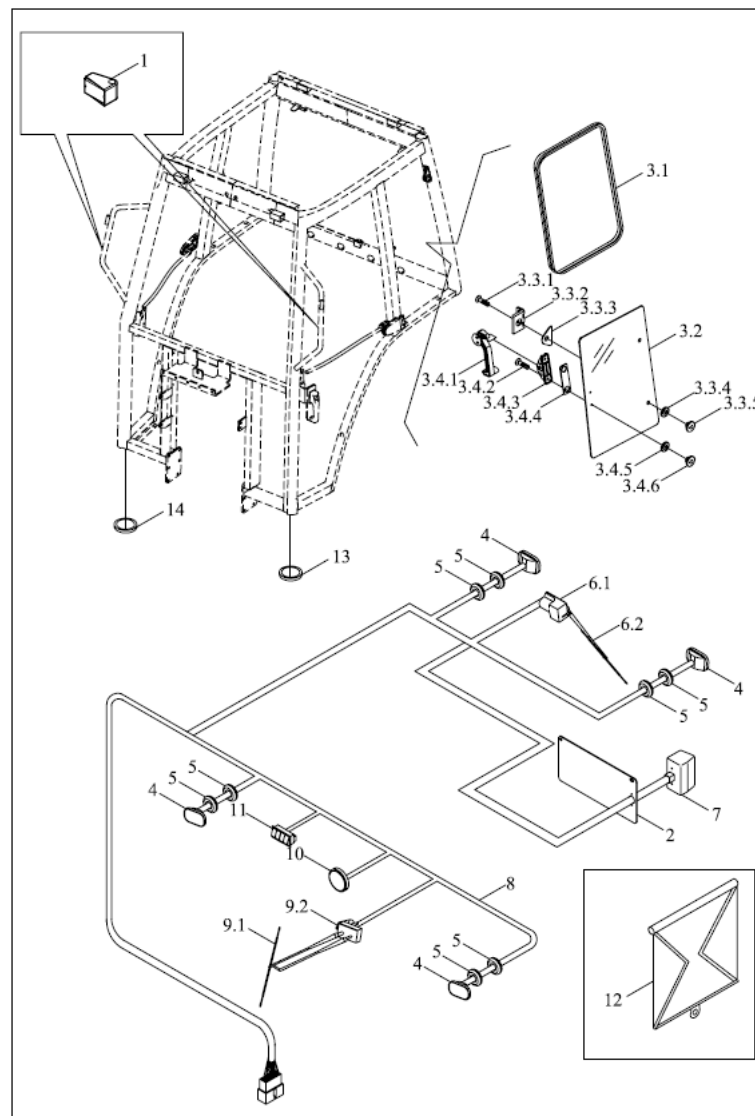
TB600.45X 驾驶室总成-4



## TB600.45X-4 45-驾驶室总成-4(续)

标号 No.	代号 Code	名称 Description	数量 Quantity	备注 Remark
3.6	TB600.45.9.1-04	EXTERNAL MAT OF LEFT LOWER HINGE	1	2011-11_
3.6	TB600.45.9.1-03	EXTERNAL MAT OF LEFT UPPER HINGE	1	2011-11_
3.7	TB600.45.9.1-02	HINGE SHAFT	2	2011-11_
3.8	TB600.45.9.1-01	HINGE	2	2011-11_
3.9	TB600.45.9.1-08	HINGE BOLT	2	2011-11_
4	TB600.45L-19	RIGHT DOOR GLASS	1	2012-09_
4	TB600.45L-78	RIGHT DOOR GLASS	1	2006-01_
4	TB600.45L-18	LEFT DOOR GLASS	1	2012-09_
4	TB600.45L-77	LEFT DOOR GLASS	1	2006-01_
5	TB600.45.9-05	AIR SPRING	1	2011-11_
6	TB600.45.10-04	RIGHT DOOR LOCK FIXING PLATE	1	2011-11_
6	TB600.45.9-03	LEFT DOOR LOCK FIXING PLATE	1	2011-11_
6	TB600.45.9-03	LEFT DOOR LOCK FIXING PLATE	1	2011-11_
7	TB600.45.9-08	LOCK BOX GASKET	1	2011-11_
8	TB600.45.9-06	LARGE GASKET OF LOCK HANDLE	1	2011-11_
9	TB600.45.9-04	LEFT DOOR LOCK ASSEMBLY	1	2011-11_
9	TB600.45.10-03	RIGHT DOOR LOCK ASSEMBLY	1	2011-11_

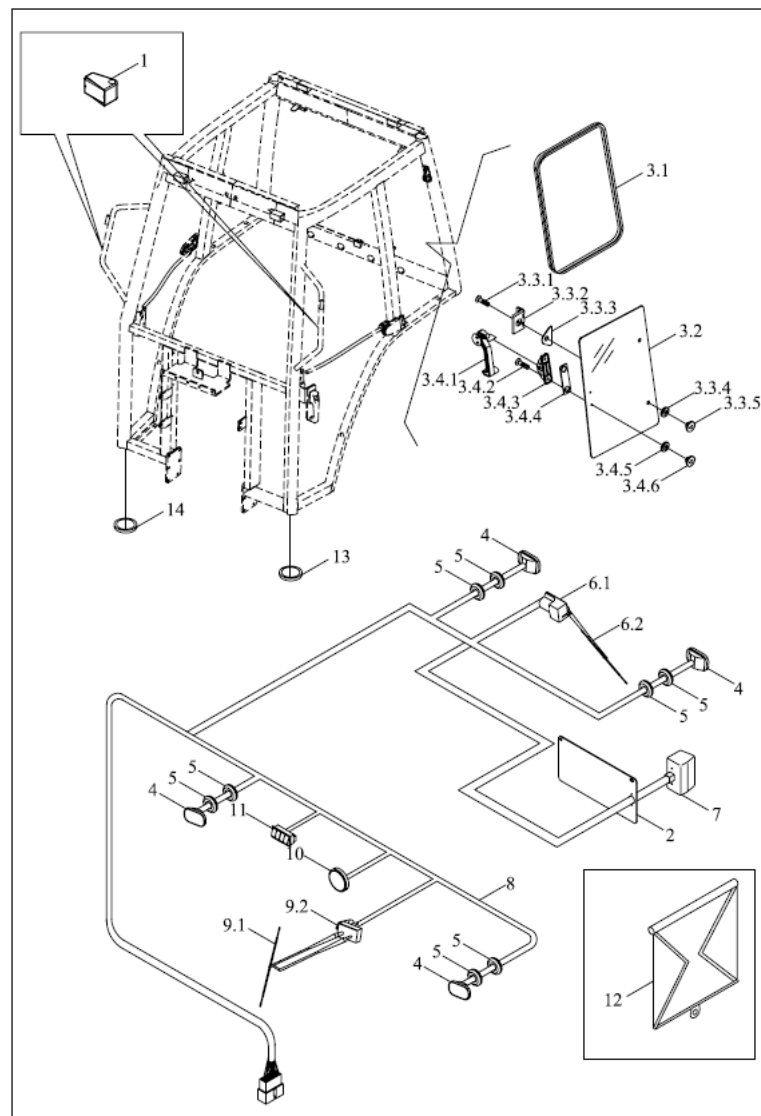
TB600.45X 驾驶室总成-5



## TB600.45X-5 45-驾驶室总成-5 DRIVER' S CAB ASSEMBLY-5

标号 No.	代号 Code	名称 Description	数量 Quantity	备注 Remark
10	TB600.45L-67	INNER TOP LIGHT	1	2011-11_
10	TB600.45L-67	INNER TOP LIGHT	1	2011-11_
11	TB600.45L-33	FOUR CONNECTING THUMB SWITCH	1	2011-11_
11	TB600.45L-33	FOUR CONNECTING THUMB SWITCH	1	2011-11_
12	TB600.45L-68	SHADOW CURTAIN	1	2011-11_
13	TB600.45-07	LEFTCOLUMN RUBBER BUSH	1	2011-11_
14	TB600.45-08	RIGHT COLUMN RUBBER BUSH	1	2011-11_
3.4	TB600.45L.3.1	RIGHT SIDE WINDOW HANDLE	1	2011-11_
3.41	TB600.45L.2.2-01	LEFT SIDE WINDOW HANDLE	1	2011-11_
3.41	TB600.45L.3.1-01	RIGHT WINDOW HANDLE	1	2011-11_
3.41	TB600.45L.2.2-01	LEFT SIDE WINDOW HANDLE	1	2011-11_
3.42	GBT819.1-M8X20-4.8-A2L	CUNERSUNK FLAT HEAD SCREW WITH CROSS RECESS	2	2011-11_
3.43	TB600.45L.2.2-03	SIDE WINDOW LOCKING SEAT	1	2011-11_
3.44	TB600.45L.2.2-02	HANDLE MAT OF SIDE WINDOW	1	2011-11_
3.45	TB600.45L.2.1-04	PLASTIC NUT WASHER	2	2011-11_
3.46	TB600.45L.2.1-03	PLASTIC NUT	2	2011-11_
4	FT650.48.082	TOP LIGHT ASSEMBLY	4	2011-11_
5	TB600.45-39	THROUGH HARNESS WASHER	4	2011-11_
6	TB600.45F.2	REAR WIPER ASSEMBLY	1	2011-11_
6	TB600.45F.2	REAR WIPER ASSEMBLY	1	2011-11_
6.1	TB600.45F.2-01	REAR SCRAPER MOTOR	1	2011-11_
6.2	TB600.45F.2-02	REAR SCRAPER	1	2011-11_
7	TA700.484A.2.1	LICENSE LAMP	1	2011-11_
8	TB600.45X.1-01	UPPER LAMP HARNESS	1	2011-11_
9	TB600.45.11	FRONT SCRAPER ASSEMBLY	1	2011-11_

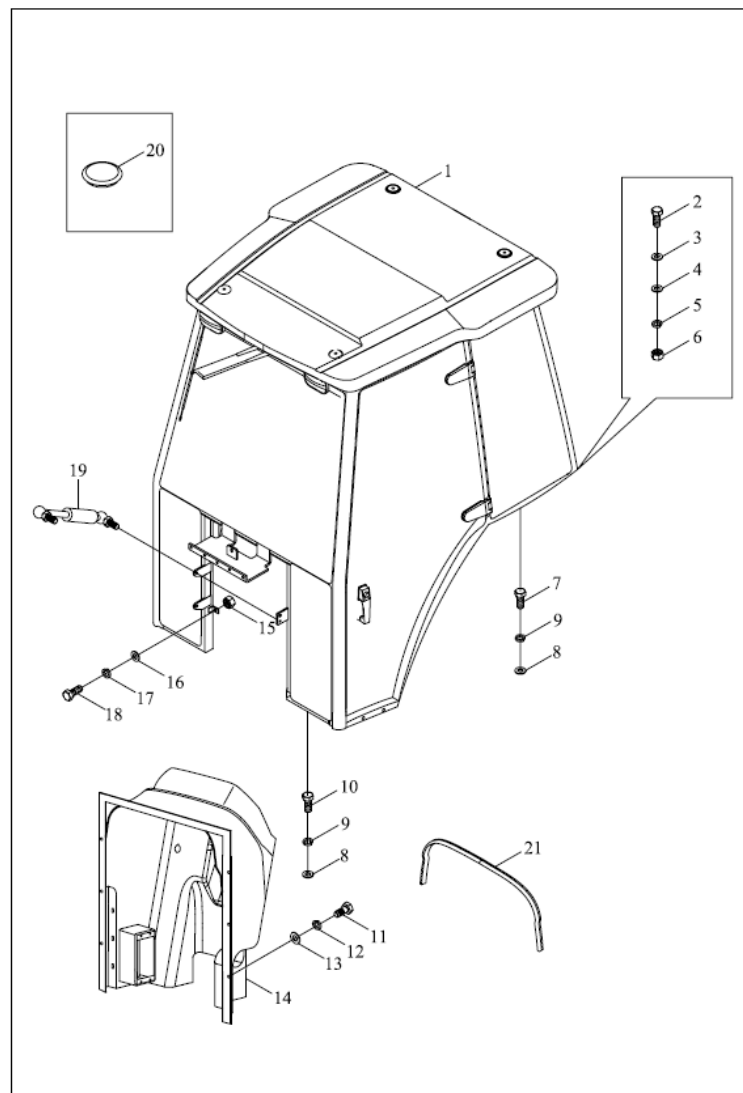
TB600.45X 驾驶室总成-5



## TB600.45X-5 45-驾驶室总成-5(续)

标号 No.	代号 Code	名称 Description	数量 Quantity	备注 Remark
9.1	TB600.45.11-01	FRONT SCRAPER	1	2011-11_
9.2	TB600.45.11-02	FRONT SCRAPER MOTOR	1	2011-11_

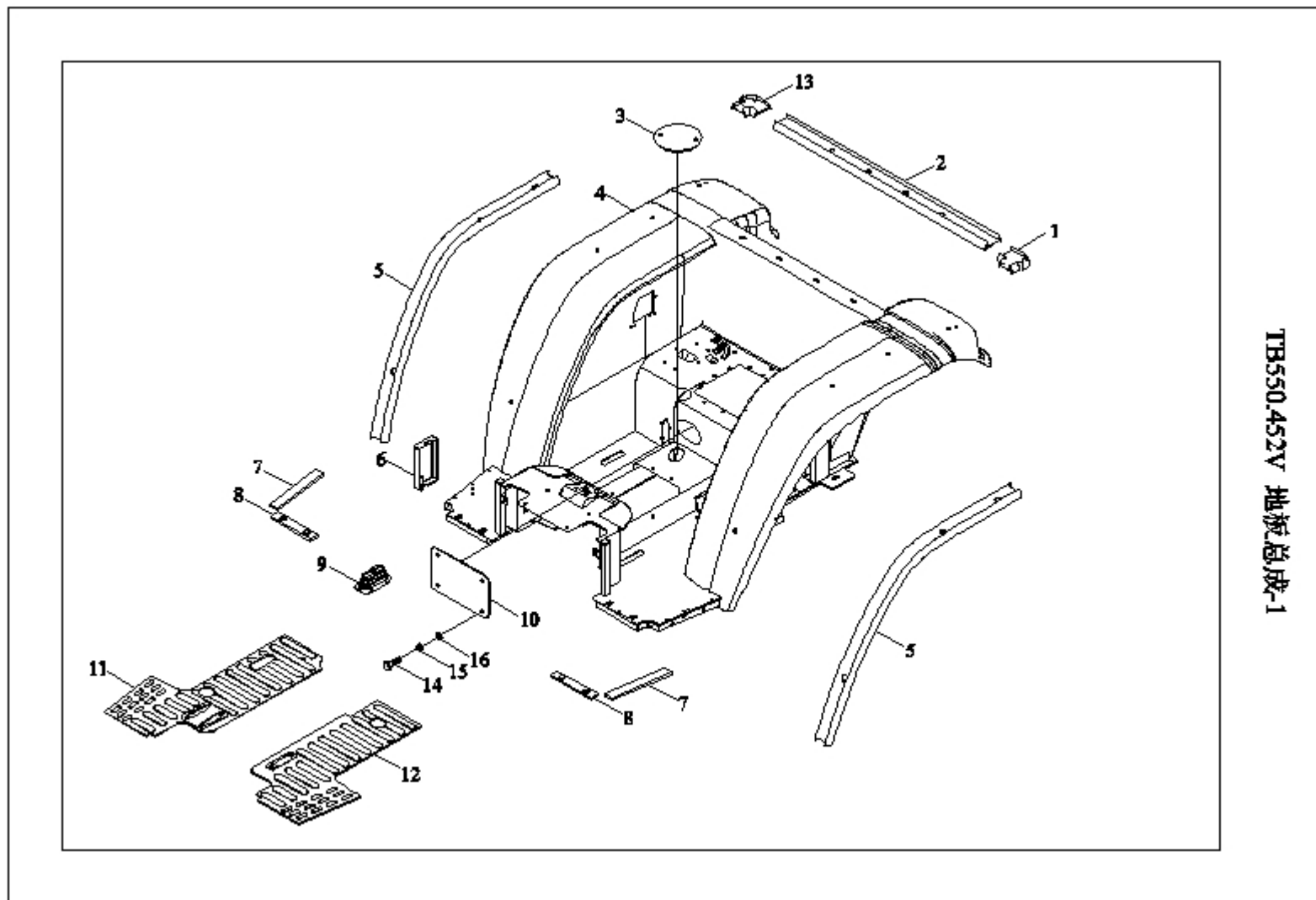
TB600.45X 驾驶室总成-1





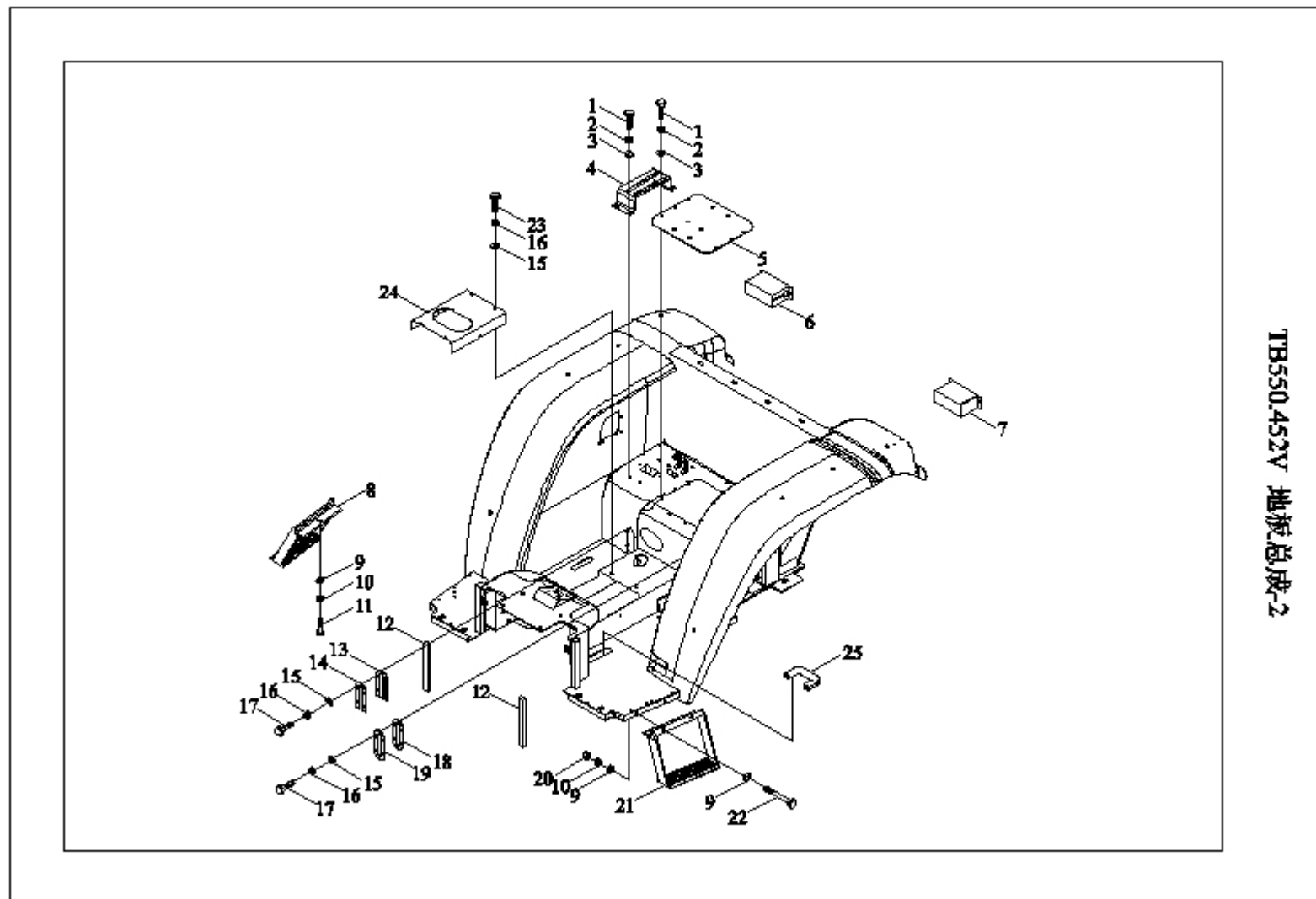
## TB600.45X-1 45.1-驾驶室总成-1 45CAB ASSEMBLY-1

标号 No.	代号 Code	名称 Description	数量 Quantity	备注 Remark
1	TB600.45X.1		1	2011-11_
10	GBT5783-M10X65-8.8-A2L	BOLT	4	2011-11_
11	GBT5783-M6X16-8.8-A2L	BOLT	6	2011-11_
12	GBT93-6-A0P	SPRING WASHER	6	2011-11_
13	GBT97.1-6-A0P	WASHER	6	2011-11_
14	TB600.45L-02	DASHBOARD ASSEMBLY	1	2011-11_
15	GBT6170-M8-8-A2L	I-TYPE HEXAGON NUT	2	2011-11_
16	GBT97.1-8-A0P	WASHER	2	2011-11_
17	GBT93-8-A0P	WASHER	2	2011-11_
18	GBT5783-M8X20-8.8-A2L	BOLT	2	2011-11_
19	TB400B.471-30	BONNET PNEUMATIC SPRING	2	2011-11_
20	TB600.45L-03	PLUG COVER	4	2011-11_
20.1	FT300.45.992	PROCESS HOLE COVER	10	2011-11_
21	TB600.45L-69	DASHBOARD SEAL STRIP	1	2011-11_
3	GBT96.1-12-A0P	WASHER	4	2011-11_
4	GBT97.1-12-A0P	WASHER	4	2011-11_
5	GBT93-12-A0P	SPRING WASHER	4	2011-11_
6	GBT6170-M12-8-A3L	NUT	4	2011-11_
7	GBT5783-M10X30-8.8-A3L	BOLT	6	2011-11_
8	GBT97.1-10-A0P	WASHER	10	2011-11_
9	GBT93-10-A0P	WASHER	10	2011-11_



## TB550.452V-1 45.2.1-地板总成-1 FLOOR ASSEMBLY-1

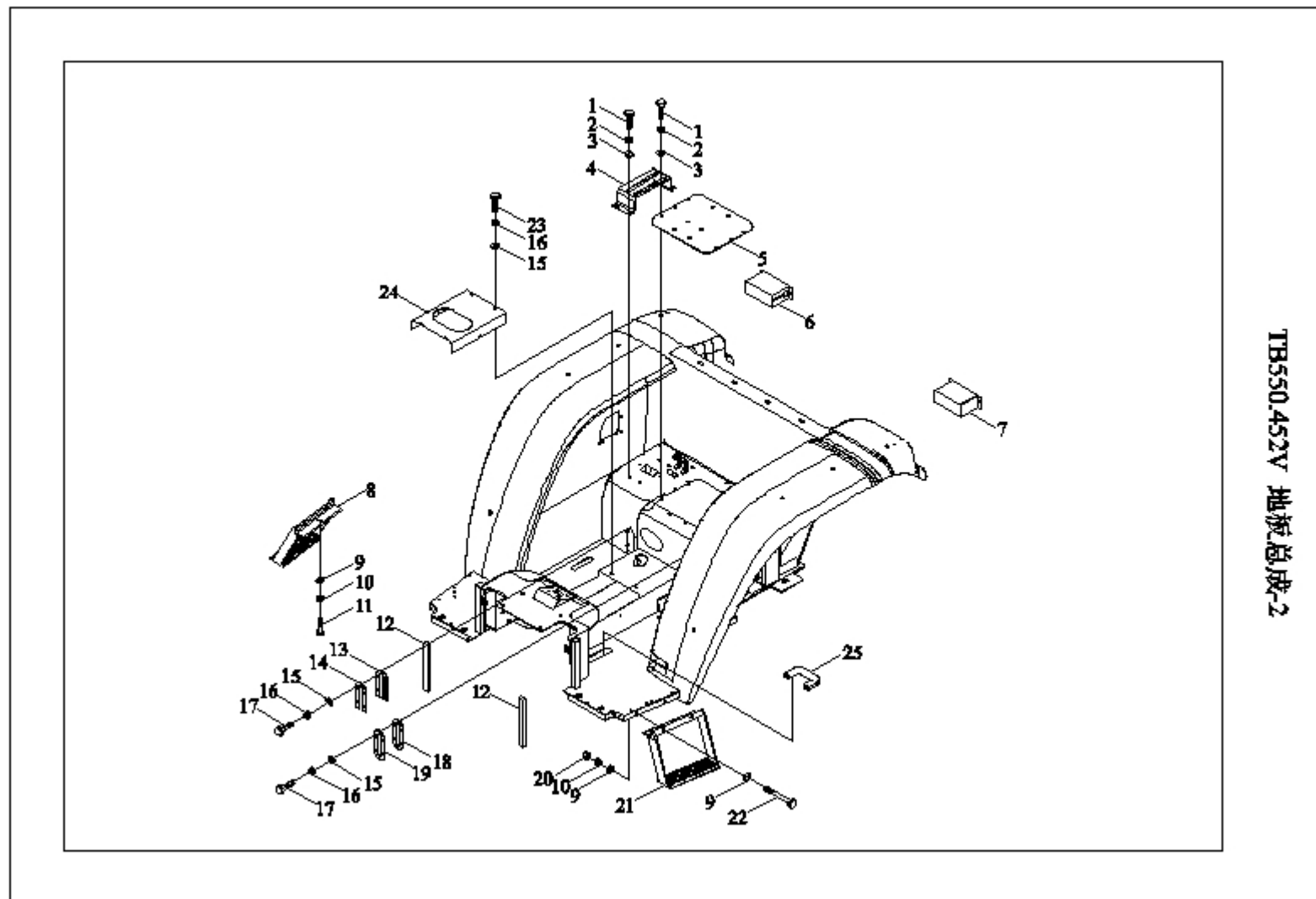
标号 No.	代号 Code	名称 Description	数量 Quantity	备注 Remark
1	TB550.452D-14	LEFT REAR COLUMNIATION SEAL BODY	1	2012-05_
10	TB550.452H-24	REAR FLOOR COVER	1	2012-05_
11	TB550.452H-02	RIGHT FLOOR MAT	1	2012-05_
12	TB550.452H-01	LEFT FLOOR MAT	1	2012-05_
13	TB550.452D-15	RIGHT REAR COLUMNIATION SEAL BODY	1	2012-05_
14	GBT5783-M6X16-8.8-A2L	BOLT	6	2012-05_
15	GBT93-6-A0P	SPRING WASHER	6	2012-05_
16	GBT97.1-6-A0P	WASHER	7	2012-05_
2	TB550.452H-09	REAR ACROSS BEAM SEAL STRIP	1	2012-05_
3	TB550.452H-25	U PLATE COVER	1	2012-05_
4	TB550.452V.1	FLOOR WELDMENT	1	2012-05_
5	TB550.452H-13	CAB SIDE-BEAM SEAL STRIP	2	2012-05_
6	TB550.452H-07	ELECTRICAL BOX COVER	1	2012-05_
7	TB550.452H-04	SIDE-BEAM SEAL STRIP	2	2012-05_
8	TB550.452H-05	FRONT BEAM SEAL STRIP	2	2012-05_
9	TB550.452H-16	SEAL SLEEVE	1	2012-05_



TB550.452V 底盘总成-2

## TB550.452V-2 45.2.2-地板总成-2 FLOOR ASSEMBLY-2

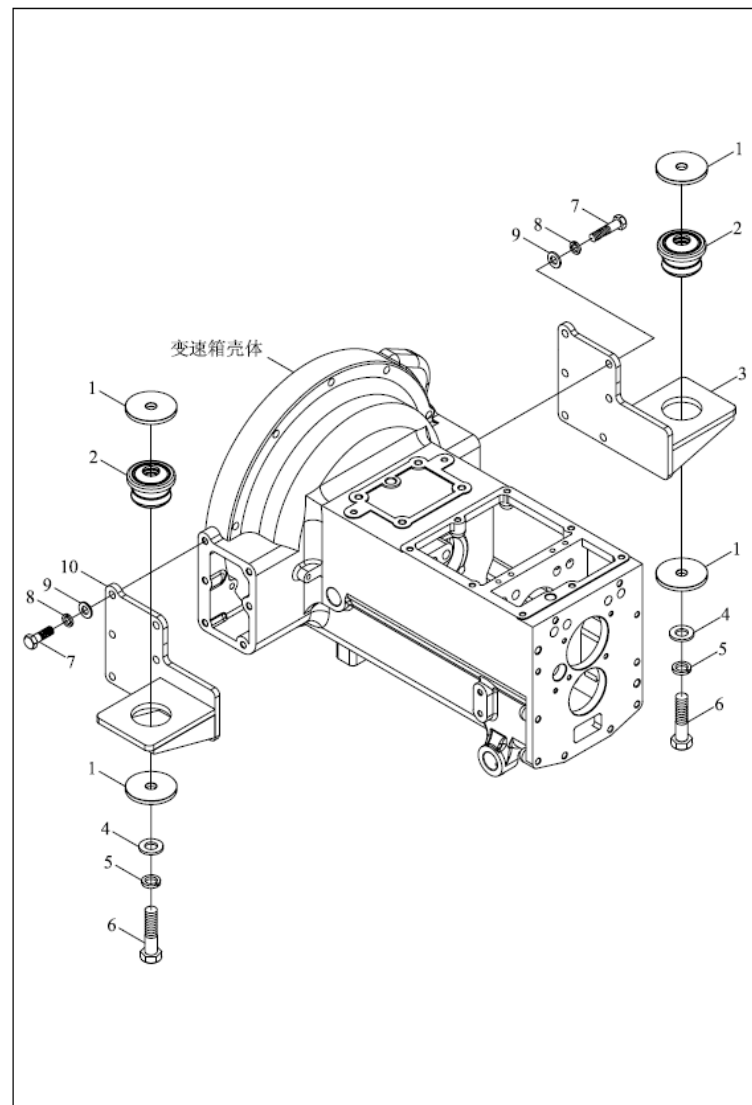
标号 No.	代号 Code	名称 Description	数量 Quantity	备注 Remark
1	GBT5783-M8X20-8.8-A2L	BOLT	12	2012-05_
10	GBT93-10-A0P	WASHER	6	2012-05_
11	GBT5783-M10X30-8.8-A3L	BOLT	2	2012-05_
12	TB550.452H-03	FRONT VERTICAL COLUMN SEAL STRIP	2	2012-05_
13	TB550.452H-15	SEAL SLEEVE	1	2012-05_
14	TB550.452H-14	SEAL SLEEVE PRESSURE PLATE 1	1	2012-05_
15	GBT97.1-5-A0P	WASHER	17	2012-05_
16	GBT93-5-A0P	WASHER	17	2012-05_
17	GBT5783-M5X16-8.8-A2L	BOLT	11	2012-05_
18	TB550.452H-17	SEAL SLEEVE 2	1	2012-05_
19	TB550.452H-18	SEAL SLEEVE PRESSURE PLATE 2	1	2012-05_
2	GBT93-8-A0P	WASHER	12	2012-05_
20	GBT6170-M10-A3L	NUT	4	2012-05_
21	TB550.452H.2	LEFT FOOT PEDAL ASSEMBLY	1	2012-05_
22	GBT5783-M10X70-8.8-A2L	BOLT	4	2012-05_
23	GBT5783-M5X12-8.8-A2L	BOLT	6	2012-05_
24	TB550.452H-20	COVER PLATE	1	2012-05_
25	TB550.452H-19	ADHESIVE TAPE 1	3	2012-05_
25	TB550.452H-19	ADHESIVE TAPE 1	3	2012-05_
3	GBT97.1-8-A0P	WASHER	12	2012-05_
4	TB550.452H-08	BENDING BOARD	1	2012-05_
5	TB550.452H.5	SEAT FIXING PLATE WELDMENT	1	2012-05_
6	TB450.45A.2	RIGHT REAR LAMP BAFFLE WELDMENT	1	2012-05_
7	TB450.45A.1	LEFT REAR LAMP BAFFLE WELDMENT	1	2012-05_
8	TB550.452H.3	RIGHT FOOT PEDAL ASSEMBLY	1	2012-05_



## TB550.452V-2 45.2.2-地板总成-2(续)

标号 No.	代号 Code	名称 Description	数量 Quantity	备注 Remark
9	GBT97.1-10-A0P	WASHER	10	2012-05_

TB400.457B 前连接总成

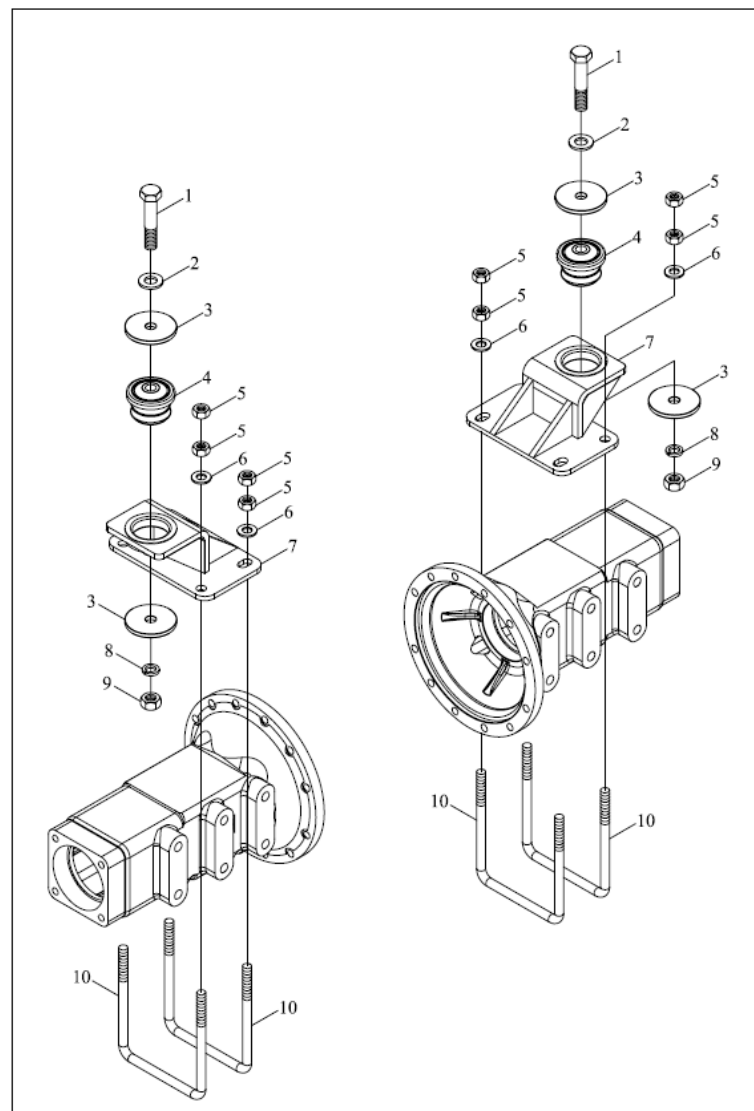




## TB400.457B 45.7-前连接总成 45.7-FRONT CONNECTING ASSEMBLY

标号 No.	代号 Code	名称 Description	数量 Quantity	备注 Remark
1	TB400.457B-02	RETAINER RING	4	2009-12_
10	TB400.457B.1	LEFT FRONT CONNECTION WELDMENT	1	2011-11_
2	TB400.457B-01	ABSORBER	2	2009-12_
3	TB400.457B.2	RIGHT FRONT CONNECTION WELDMENT	1	2011-11_
4	GBT97.1-16-A0P	WASHER	2	2011-11_
5	GBT93-16-A0P	SPRING WASHER	2	2011-11_
6	GBT5783-M16X80-8.8-A3L	BOLT	2	2011-11_
7	GBT5783-M12X35-8.8-A3L	BOLT	12	2011-11_
8	GBT93-12-A0P	SPRING WASHER	12	2011-11_
9	GBT97.1-12-A0P	WASHER	10	2011-11_

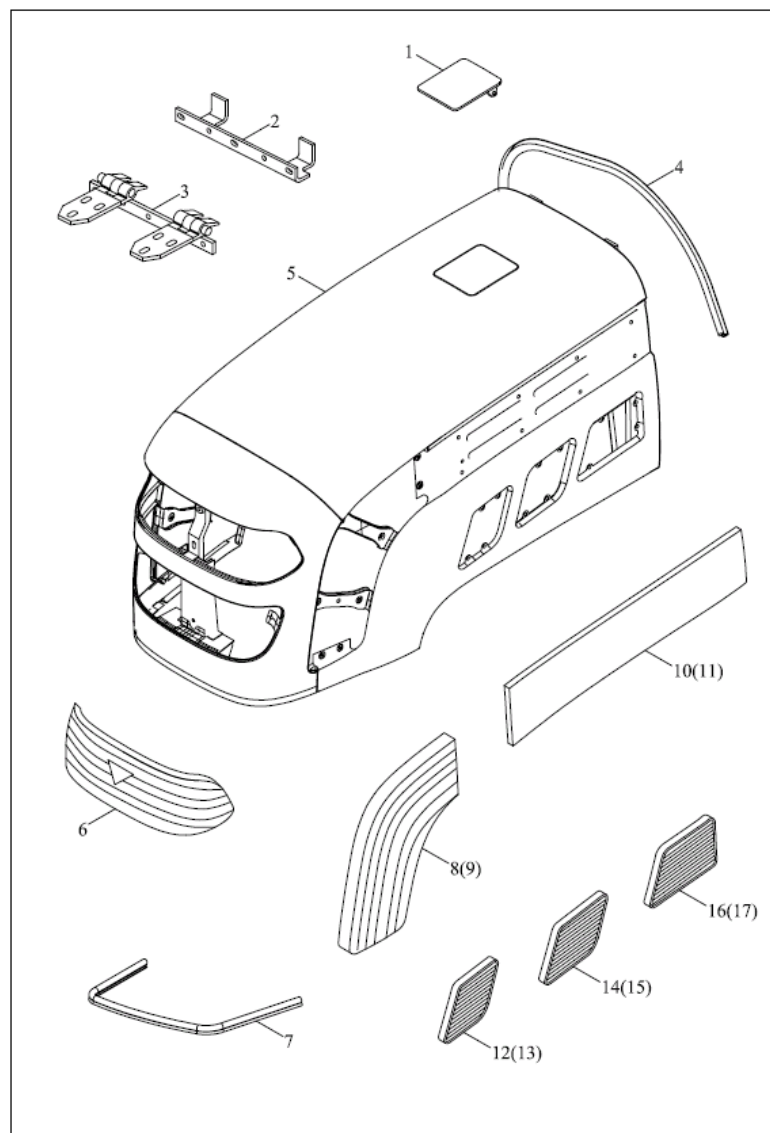
TB400.458B 后连接总成



## TB400.458B 45.8-后连接总成 45.8-REAR CONNECTING ASSEMBLY

标号 No.	代号 Code	名称 Description	数量 Quantity	备注 Remark
1	GBT5783-M16X90-8.8-A2L	BOLT	4	
10	FT400.46.350	U BOLT	4	2011-11_
2	GBT97.1-16-A0P	WASHER	2	2011-11_
3	TB400.457B-02	RETAINER RING	4	2009-12_
4	TB400.457B-01	ABSORBER	2	2009-12_
5	GBT6170-M14-A3L	NUT	16	2011-11_
6	GBT97.1-14-A0P	WASHER	8	2011-11_
7	TB400.458B.1	REAR CONNECTING WELDMENT	2	2011-11_
8	GBT93-16-A0P	SPRING WASHER	2	2011-11_
9	GBT6170-M16-A3L	NUT	2	2011-11_

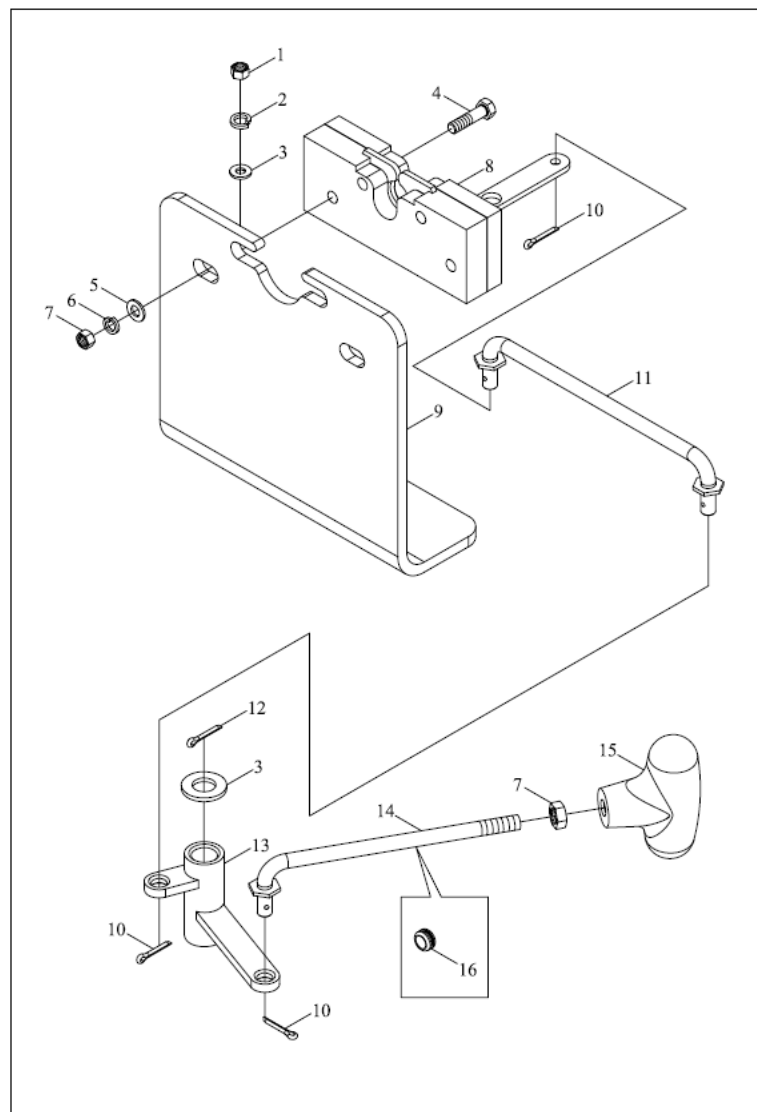
TB400B.471 Hood mounting assembly



## TB400B.471 47.1-机罩装配总成 47.1-BONNET INSTALLATION ASSEMBLY

标号 No.	代号 Code	名称 Description	数量 Quantity	备注 Remark
1	TB400B.471.2	OIL FILLING COVER ASSEMBLY	1	2004-01_
1	TB400B.471.3	FILLER CAP	1	2012-10_
10	TB400B.471-04	LEFT REAR DECORATION	1	2011-11_
11	TB400B.471-05	RIGHT REAR DECORATION PART	1	2011-11_
12	TB400B.471-06	LEFT FRONT LOWER GRID	1	2011-11_
13	TB400B.471-07	RIGHT FRONT LOWER GRID	1	2011-11_
14	TB400B.471-08	LEFT MIDDLE LOWER GRID	1	2011-11_
15	TB400B.471-09	RIGHT MIDDLE LOWER GRID	1	2011-11_
16	TB400B.471-10	LEFT REAR LOWER GRID	1	2011-11_
17	TB400B.471-11	RIGHT REAR LOWER GRID	1	2011-11_
2	TB400B.471-15	HINGE UPPER SEAT	2	2010-12_
3	TB400B.471-16	HINGE LOWER SEAT	1	2011-11_
4	TB400B.471-14	BONNET SEAL STRIP	1	2010-12_
5	TB400B.471.1	BONNET WELDMENT	1	2011-11_
6	TB400B.471-01	FRONT GRID	1	2011-11_
7	TB400B.471-17	FRONT LOWER CUSHION RUBBER PIECE	1	2011-03_
8	TB400B.471-02	LEFT FRONT GRID	1	2011-11_
9	TB400B.471-03	RIGHT FRONT GRID	1	2011-11_

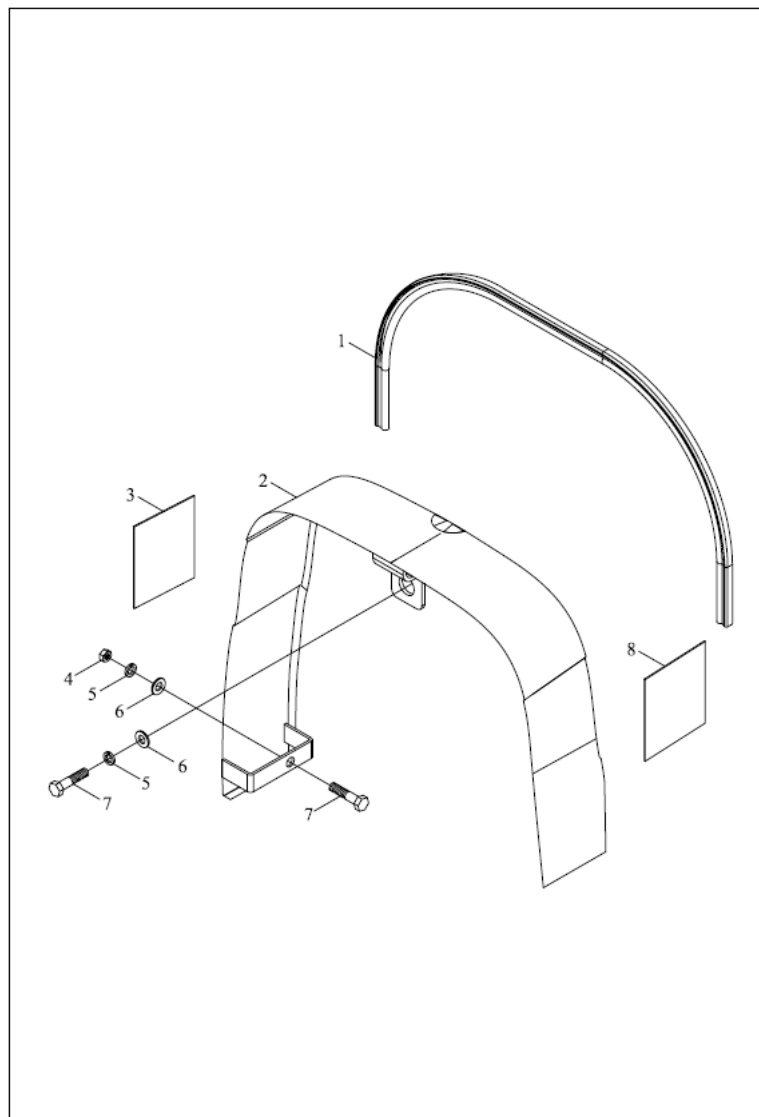
TB400B.473 机罩锁紧装置总成



## TB400B.473 47.3-机罩锁紧装置总成 47.3-BONNET LOCKING DEVICE ASSEMBLY

标号 No.	代号 Code	名称 Description	数量 Quantity	备注 Remark
0	TB400B.473.4	WELDED PUSHING ROD	1	2011-08_
1	GBT6170-M8-A2L	NUT	3	2011-11_
10	GBT91-1.6X16-A0P	PIN	3	2011-11_
11	TB400B.473.2	WELDED PUSHING ROD	1	2011-08_
12	GBT91-2.5X25-A0P	PIN	1	2011-11_
13	TB400B.473.3	ROCKER WELDMENT	1	2011-08_
14	FT800A.47.098	PULL ROD WELDMENT (2)	1	2011-11_
15	FT800A.47.056	HANDLE ASSEMBLY	1	2011-11_
16	TB450.473-02	RUBBER RING	1	2008-08_
2	GBT93-8-A0P	WASHER	3	2011-11_
3	GBT97.1-8-A0P	WASHER	3	2011-11_
4	GBT5783-M6X35-8.8-A1L	BOLT	4	2004-01_
5	GBT97.1-6-A0P	WASHER	7	2011-11_
6	GBT93-6-A0P	SPRING WASHER	4	2011-11_
7	GBT6170-M6-A2L	NUT	5	2011-11_
8	FT800.47.127	BONNET LOCK ASSEMBLY	1	2004-01_
8	TG1204.474.4	BONNET LOCK	1	2011-08_
9	TB400B.473-01	BONNET LOCK PLATE	1	2011-08_

TB550.477E 机罩加长板总成

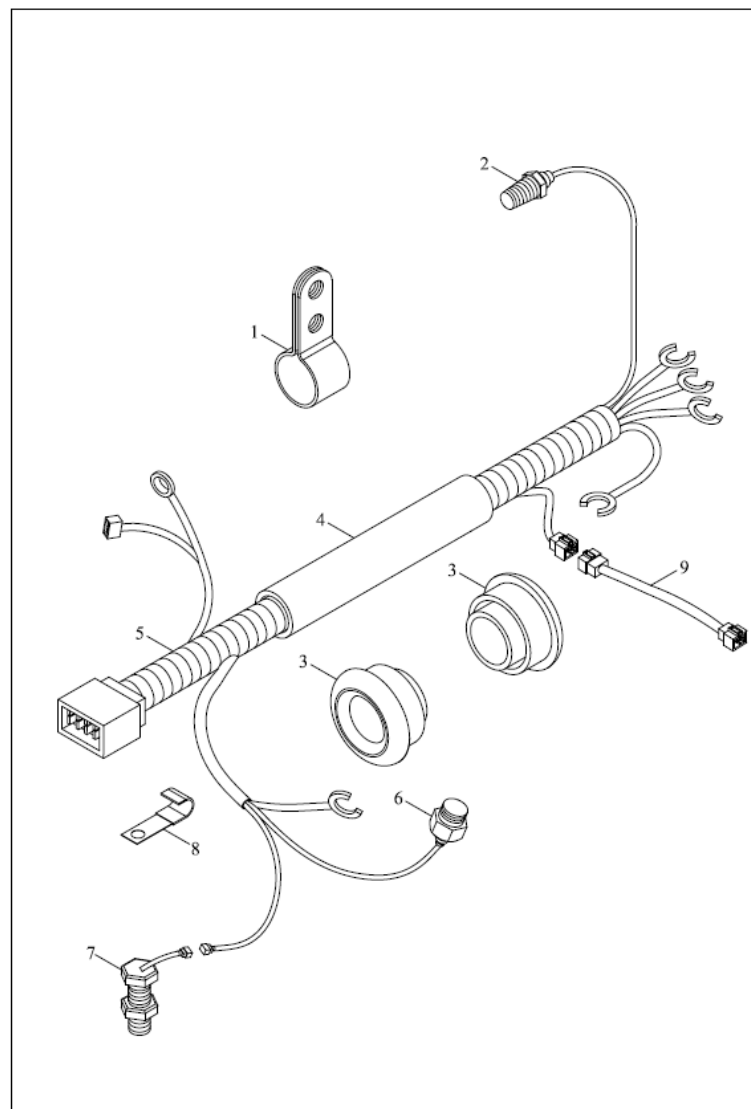




## TB550.477E 47.7-机罩加长板总成 47.7-BONNET EXTENSION PLATE ASSEMBLY

标号 No.	代号 Code	名称 Description	数量 Quantity	备注 Remark
1	TB550.477B-03	EXTENSION PLATE SEAL PIECE	1	2010-05_
1	TB400B.471-14	BONNET SEAL STRIP	1	2004-01_
2	TB550.477E.1	BONNET EXTENSION PLATE WELDMENT	1	2011-11_
3	TB550.477D-02	RIGHT DECORATION ADHESIVE STRIP	1	2011-11_
4	GBT6170-M8-A2L	NUT	2	2011-11_
5	GBT93-8-A0P	WASHER	3	2011-11_
6	GBT97.1-8-A0P	WASHER	3	2011-11_
7	GBT5781-M8X30-A2L	BOLT	3	2011-11_
8	TB550.477D-01	LEFT DECORATION ADHESIVE PIECE	1	2011-11_

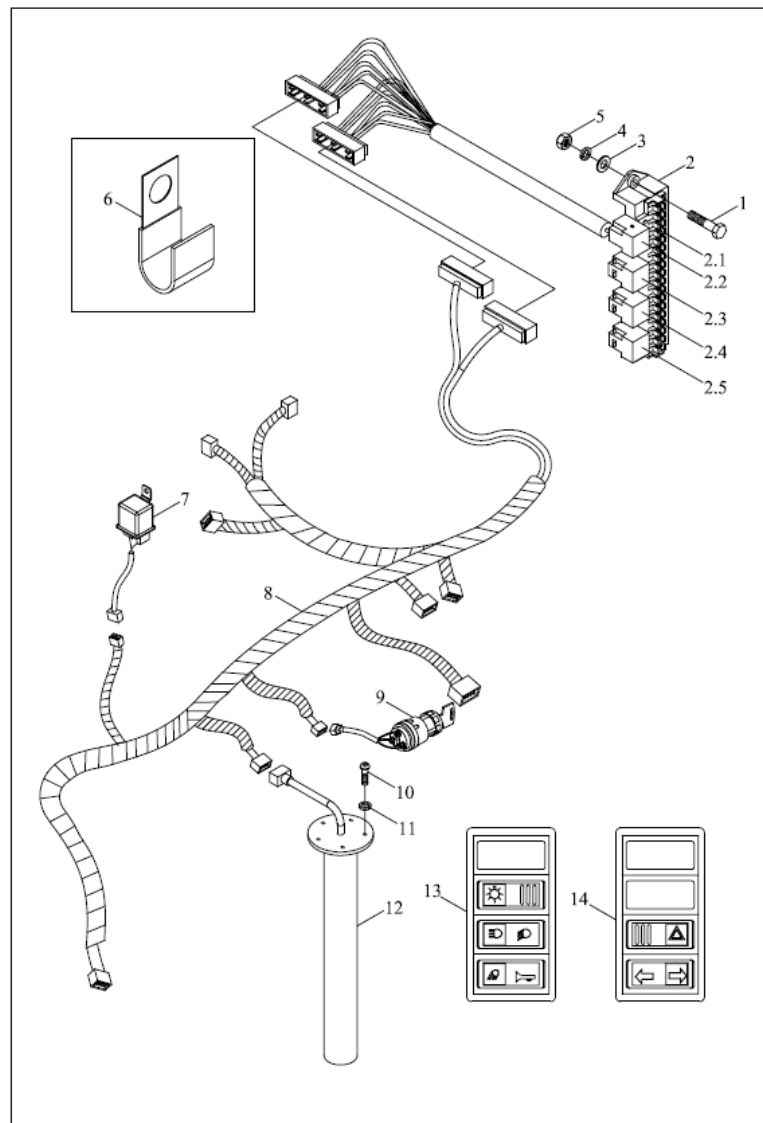
TB450.481L 发动机线束安装总成



## TB450.481L 48.1-发动机线束安装总成 48.1-ENGINE HARNESS INSTALLATION ASSEMBLY

标号 No.	代号 Code	名称 Description	数量 Quantity	备注 Remark
1	FT800.48L.108a	FASTENING CLIP	2	2011-11_
2	FT300.48.072	WATER TEMPERATURE SENSOR	1	2011-11_
3	FT800.48L.107	SLEEVE	2	2011-11_
4	FT300.48P.102	HARNESS SLEEVE	1	2011-11_
5	TB450.481L.1	ENGINE HARNESS ASSEMBLY	1	2011-11_
6	FT300.48.073a	O? L PRESSURE SENSOR	1	2011-11_
7	FT300.48.074	RPM SENSOR	1	2011-11_
8	FT304.48L.203	HARNESS TIGHTEN CLIP	2	2011-11_
9	FT800.48D.028	AIR CONDITION DESICCATOR HARNESS	1	2011-11_

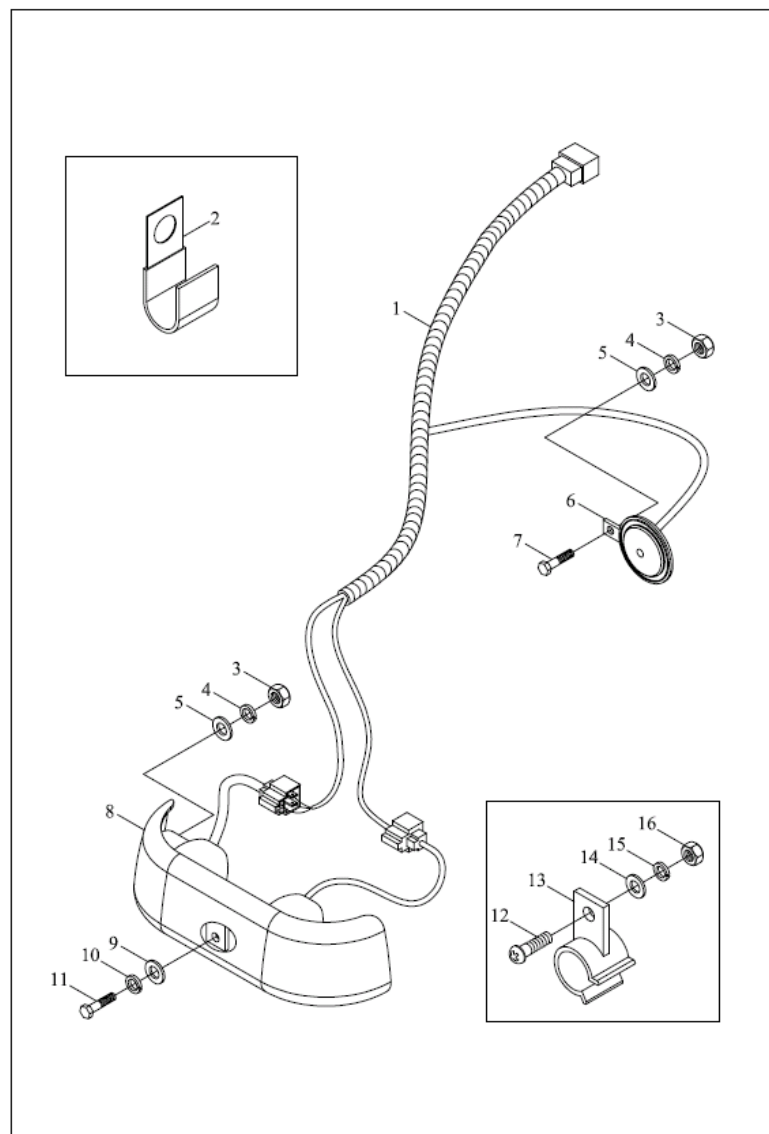
TB450.482H 车身线束安装总成



## TB450.482H 48.2-车身线束安装总成 48.2-BODY HARNESS INSTALLATION ASSEMBLY

标号 No.	代号 Code	名称 Description	数量 Quantity	备注 Remark
1	GBT5783-M6x16-A2L	BOLT	2	2011-11_
10	GBT818-M4X10-A2L	SCREW	5	2011-11_
11	GBT93-4-A0P	WASHER	5	2011-11_
12	FT300.48.071a	OIL QUANTITY SENSOR	1	2011-11_
13	FT300.48D.2.3	LEFT PADDLE SWITCH	1	2009-12_
13	TB450.482.4	LEFT PADDLE SWITCH	1	2012-12_
14	TB450.482N.4	RIGHT BUTTON SWITCH	1	2012-12_
14	TB450.482.1	RIGHT BUTTON SWITCH	1	2009-12_
2	TB450.482H.2	CENTRAL ELECTRICAL BOX ASSEMBLY	1	2010-02_
2.12	TD9600000800	FUSE	4	
2.13	TD9600000900	FUSE	3	2013-04_
2.14	TD9600001200	FUSE	2	2013-04_
2.2	FT300.48.513	ELECTRIC FLASH	1	2011-11_
2.3	FT300.48.512	MAIN POWER RELAY	1	2011-11_
2.4	FT300.48D.2.2.2	PREHEATING RELAY	1	2011-11_
2.5	FT300.48D.2.2.1	VOLTAGE ADJUSTER	1	2011-11_
2.5	FT300.48D.2.2.1	VOLTAGE ADJUSTER	1	2011-11_
3	GBT97.1-6-A0P	WASHER	2	2011-11_
4	GBT93-6-A0P	SPRING WASHER	2	2011-11_
5	GBT6170-M6-A2L	NUT	2	2011-11_
6	FT65.48.095	HARNESS TIGHTEN CLIP (1)	1	2011-11_
7	TB450.482.2	STARTING RELAY	1	2009-12_
8	TB450.482J.1	BODY HARNESS ASSEMBLY	1	2011-11_
9	FT300.48.064	IGNITION LOCK	1	2011-11_

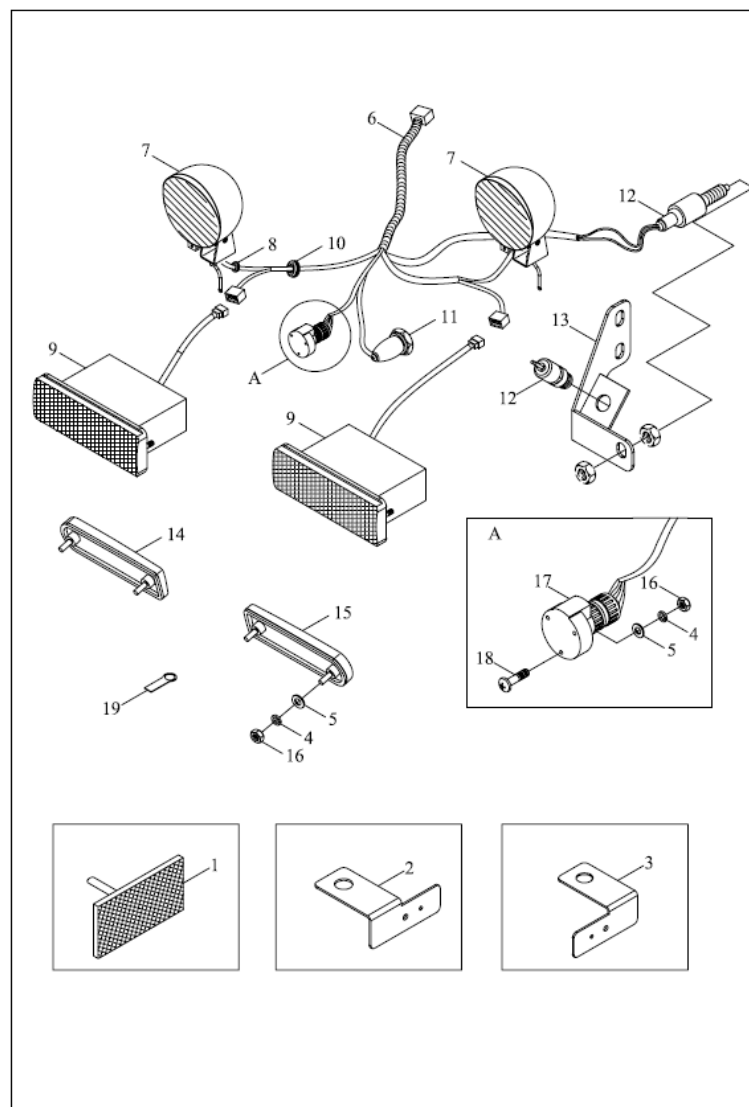
TB450.483B Front lamp wire harness mounting assembly



## TB450.483B 48.3-前灯线束安装总成 48.3-FRONT LAMP HARNESS INSTALLATION ASSEMBLY

标号 No.	代号 Code	名称 Description	数量 Quantity	备注 Remark
1	TB404.483.1	FRONT LAMP HARNESS ASSEMBLY	1	2011-11_
10	GBT93-8-A0P	WASHER	2	2011-11_
11	GBT5783-8X16-A2L	BOLT	2	2011-11_
12	GBT818-M5X14-A2L	SCREW	1	2011-11_
13	TB400.483-01	HARNESS CLAMP	1	2011-11_
14	GBT97.1-5-A0P	WASHER	1	2011-11_
15	GBT93-5-A0P	WASHER	1	2011-11_
16	GBT6170-M5-A2L	NUT	1	2011-11_
2	FT65.48.097	HARNESS LOCKING CLAMP (2)	6	2011-11_
3	GBT6170-M6-A2L	NUT	3	2011-11_
4	GBT93-6-A0P	SPRING WASHER	3	2011-11_
5	GBT97.1-6-A0P	WASHER	3	2011-11_
6	TD800.483B.3	ELECTRIC HORN	1	2011-11_
7	GBT5783-M6x16-A2L	BOLT	1	2011-11_
8	TB404.483.2	FRONT BIG LAMP ASSEMBLY	1	2011-11_
9	GBT97.1-8-A0P	WASHER	2	2011-11_

TB500.484M 后灯线束安装总成

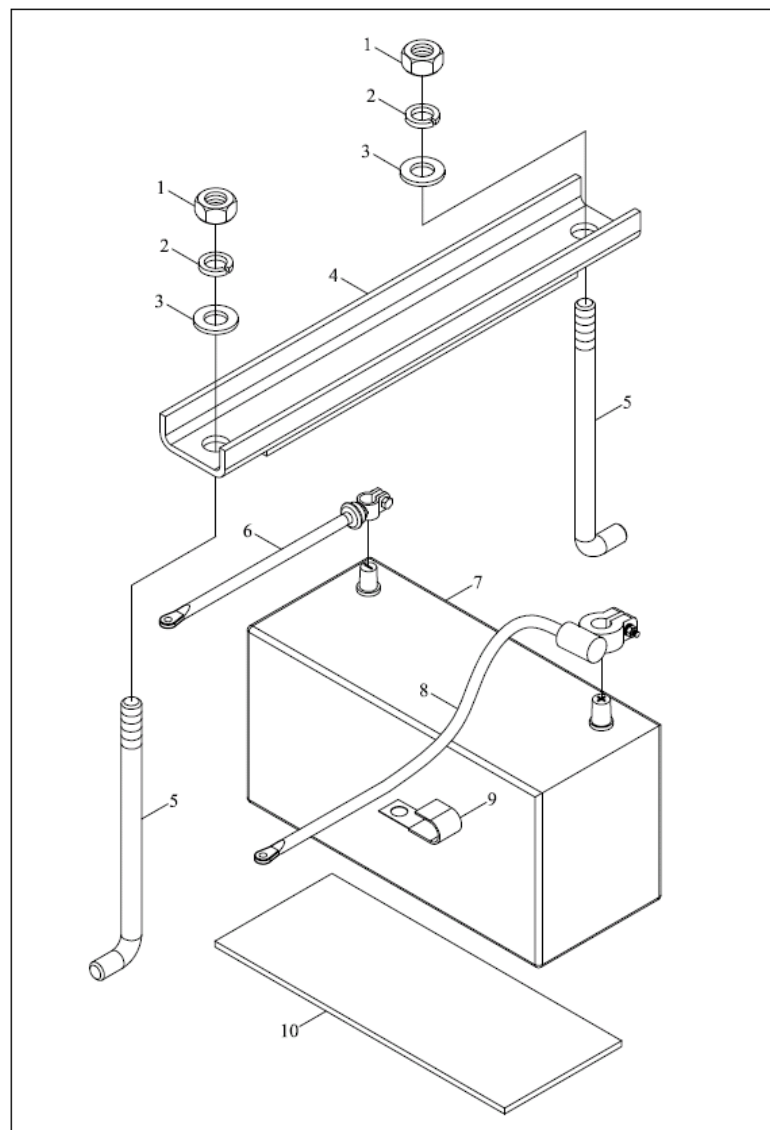




## TB500.484M 48.4-后灯线束安装总成 48.4-REAR LAMP HARNESS INSTALLATION ASSEMBLY

标号 No.	代号 Code	名称 Description	数量 Quantity	备注 Remark
1	TD800.484B.5	REFLECTOR ASSEMBLY	2	2011-11_
10	FT65.48.093	RUBBER RING (ONE)	2	2011-11_
11	FT65.48.087	AIR PRESSURE ALARM	1	2011-11_
12	FT300.48.033	BRAKE LIGHT SWITCH	2	2011-11_
13	FT300.48C.211	BRAKE SWITCH INSTALLATION PLATE	1	2011-11_
14	TB450.484E.5	LEFT REFLECTOR	1	2011-11_
15	TB450.484E.6	RIGHT REFLECTOR	1	2011-11_
16	GBT6170-M5-A2L	NUT	9	2011-11_
17	TD900.484.2	REAR TRAILER SOCKET	1	2012-02_
17	FT65.48.080	REAR TRAILER SOCKET	1	2011-01_
18	GBT818-M5X35-A1L	SCREW	3	2011-11_
19	TA600.486-01	HARNESS TIGHTEN CLIP	2	2011-11_
2	TD800.484B-01	REFLECTOR ASSEMBLY PLATE (LEFT)	1	2011-11_
3	TD800.484B-02	REFLECTOR ASSEMBLY PLATE (RIGHT)	1	2011-11_
4	GBT93-5-A0P	WASHER	9	2011-11_
5	GBT97.1-5-A0P	WASHER	9	2011-11_
6	TB450.484S.1a	REAR LAMP HARNESS ASSEMBLY	1	2012-02_
6	TB450.484S.1	REAR LAMP HARNESS ASSEMBLY	1	2011-01_
7	FT300.48.053a	REAR LAMP	2	2011-11_
8	FT65.48.094	RUBBER RING (2)	2	2011-11_
9	FT300.48.052a	LIGHTS	2	2011-11_

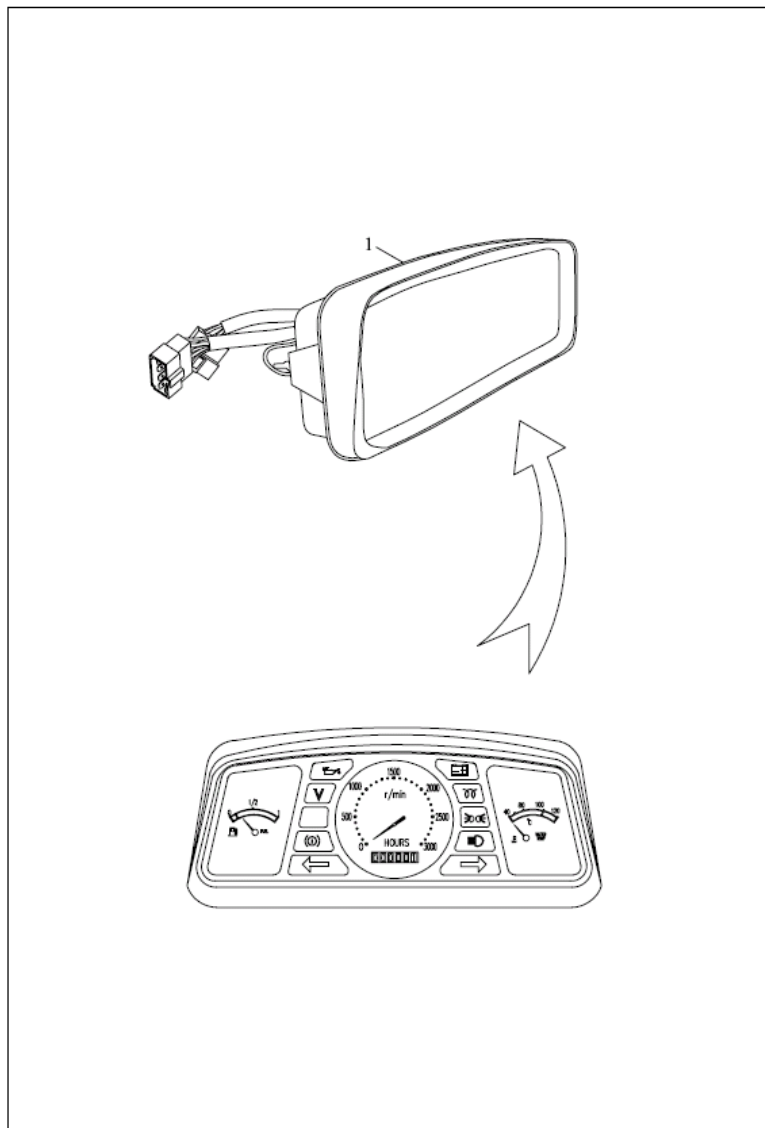
TB450.485A Battery mounting assembly



## TB450.485A 48.5-蓄电池安装总成 48.5-BATTERY INSTALLATION ASSEMBLY

标号 No.	代号 Code	名称 Description	数量 Quantity	备注 Remark
1	GBT6170-M8-A2L	NUT	2	2011-11_
10	TB450.485.1	BATTERY SHOCK ABSORPTION MAT	2	2010-08_
10	FT450.48.102	BATTERY SHOCK ABSORPTION MAT	1	2004-01_
2	GBT93-8-A0P	WASHER	2	2011-11_
3	GBT97.1-8-A0P	WASHER	2	2011-11_
4	TG1204.485-02	BATTERY PRESS PLATE	1	2011-11_
5	TG1204.485-01	U-TYPE PULL ROD OF BATTERY	2	
6	TB400.485A.2	BATTERY IRON WIRE	1	2011-11_
7	FT450.48.010	BATTERY	1	2011-11_
8	TB400.485A.1	POWER WIRE ASSEMBLY	1	2011-11_
9	FT65.48.095	HARNESS TIGHTEN CLIP (1)	1	2011-11_

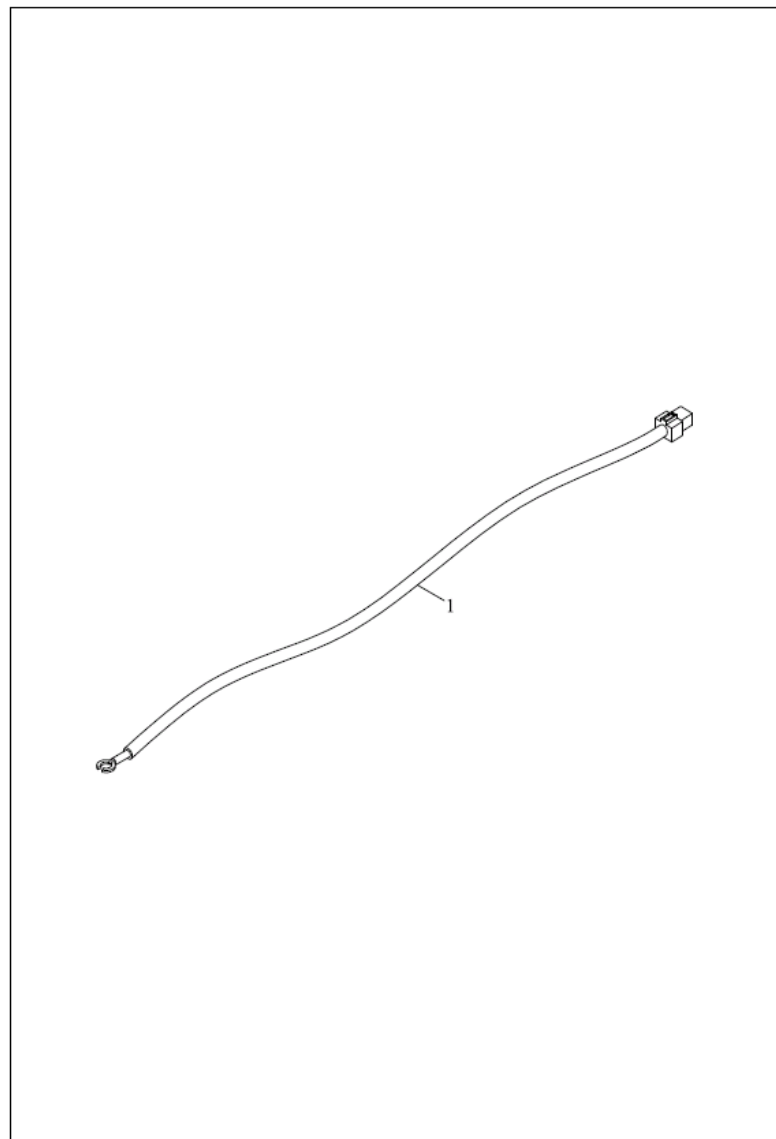
TB400.487 Combination instrument assembly



## TB400.487 48.7-组合仪表总成 48.7-COMBINED INSTRUMENT ASSEMBLY

标号 No.	代号 Code	名称 Description	数量 Quantity	备注 Remark
1	FT300.48.061	COMBINED INSTRUMENT ASSEMBLY	1	2004-01_
1	FT300.48.061a	COMBINED INSTRUMENT ASSEMBLY	1	2009-05_

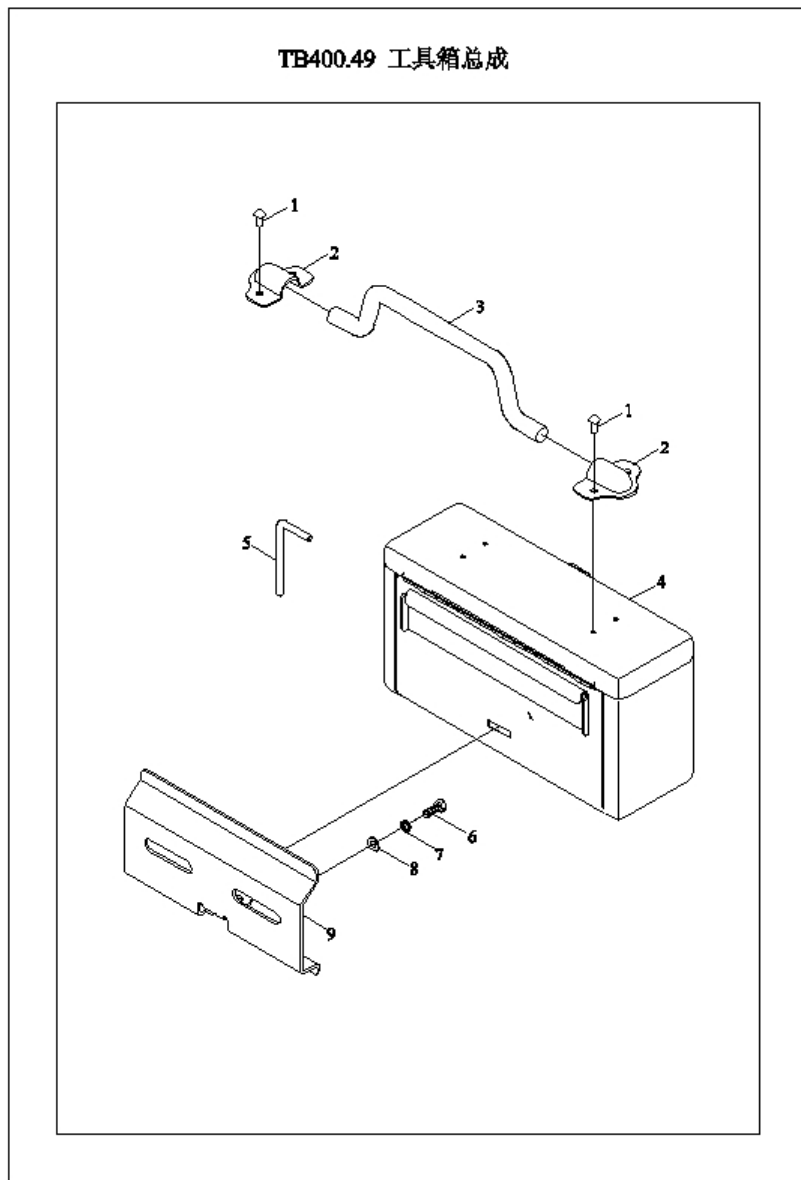
TB450.489 Preheating device assembly



## TB450.489 48.9-预热装置总成 48.9-PREHEATING EQUIPMENT ASSEMBLY

标号 No.	代号 Code	名称 Description	数量 Quantity	备注 Remark
1	FT400.48A.027	PREHEATING LINE	1	2011-11_
1	FT400.48A.027	PREHEATING LINE	1	2011-11_

TB400.49 工具箱总成

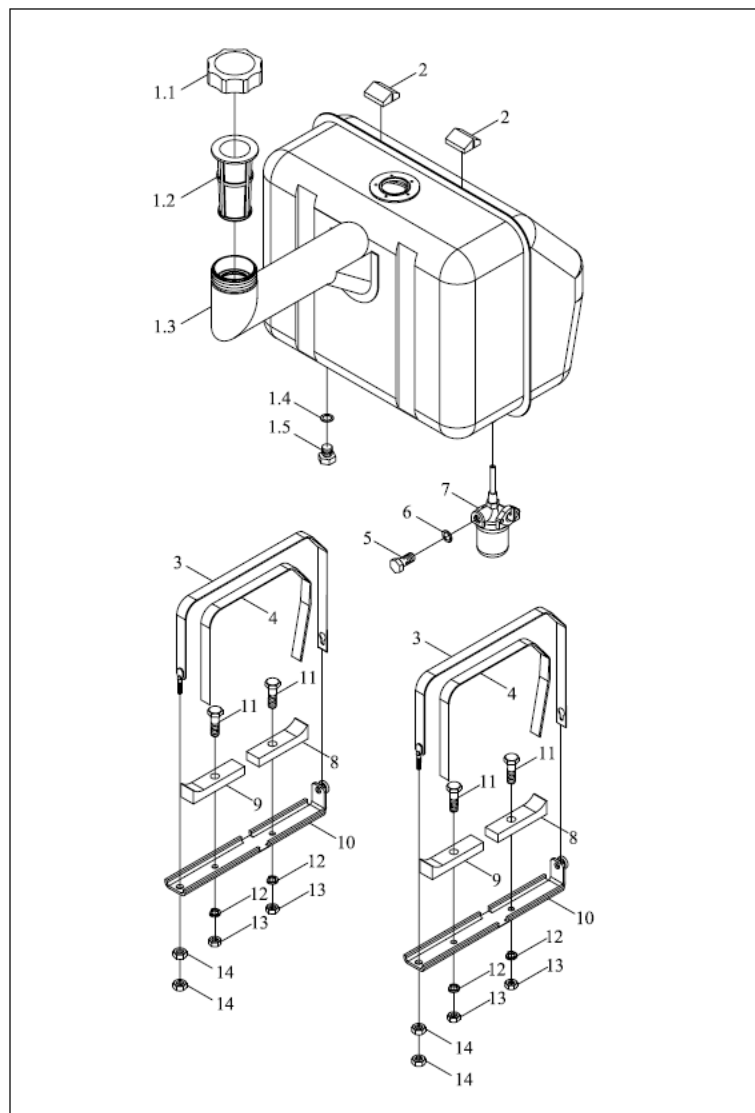




## TB400.49 49-工具箱总成 49-TOOL BOX ASSEMBLY

标号 No.	代号 Code	名称 Description	数量 Quantity	备注 Remark
1	GBT867-4X8	RIVET	4	2013-02_
2	FT65.49.101	HANDLE SEAT	2	2013-02_
3	FT65.49.115	HANDLE	1	2013-02_
4	FT300.49.012	TOOL BOX WELDMENT ASSEMBLY	1	2013-02_
5	FT65.49.102	CROSS PIN	1	2013-02_
6	GBT5783-M12X25-8.8-A3L	BOLT	2	2013-02_
7	GBT93-12-A0P	SPRING WASHER	2	2013-02_
8	GBT97.1-12-A0P	WASHER	2	2013-02_
9	FT65.49.103	FIXING SUPPORT PLATE	1	2013-02_
	TB400.49-01	transition plate	1	2011-12_

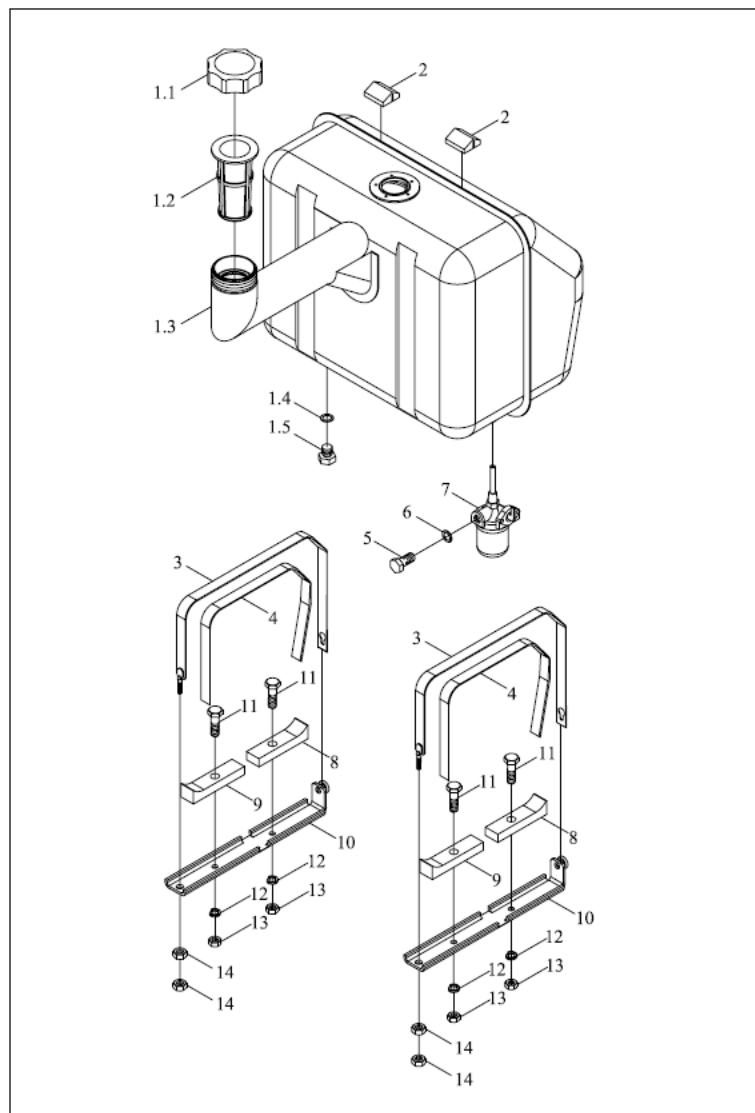
TB550.50F 燃油箱装配总成



## TB550.50F 50-燃油箱装配总成 50-FUEL TANK INSTAllation assembly

标号 No.	代号 Code	名称 Description	数量 Quantity	备注 Remark
1	TB550.50E.1	OIL TANK ASSEMBLY	1	2011-11_
1.1	TD800.501A.1.1	OIL TANK COVER	1	2011-11_
1.2	FT300.50.015	FILTER MESH ASSEMBLY	1	2011-11_
1.3	TB550.50E.1.1	FUEL TANK WELDMENT	1	2011-11_
1.3	TB550.50E.1.1	FUEL TANK WELDMENT	1	2011-11_
1.4	JBT982-16	COMBINED SEAL GASKET	1	2011-11_
1.5	FT65.50.226	OIL DISCHARGING SCREW PLUG	1	2011-11_
10	TB400.50X.1	OIL TANK BRACKET WELDMENT	1	2004-01_
10	TB550.50F.1	OIL TANK BRACKET WELDMENT	1	2011-01_
11	GBT5783-M8X20-A2L	BOLT	4	2011-11_
12	GBT93-8-A0P	WASHER	4	2011-11_
13	GBT6170-M8-A2L	NUT	4	2011-11_
14	GBT6170-M10-A3L	NUT	4	2011-11_
2	FT300.50.112	RUBBER PAD BLOCK	2	2011-11_
3	TB400.50X.2	OIL TANK BAND WELDMENT	2	2012-07_
3	TB550.50Q.3	OIL TANK BAND WELDMENT	2	2004-01_
4	FT404.50.114	MAIN OIL TANK BELT RUBBER WASHER	2	2011-11_
5	FT65.50.106	HOLLOW BOLT	1	2011-11_
6	JBT982-14	COMBINED SEAL GASKET	1	2011-11_
6	JBT982-14	COMBINED SEAL GASKET	1	2011-11_
7	FT65.50.033	SEDIMENT CUP ASSEMBLY	1	2011-11_
7	FT65.50.033	SEDIMENT CUP ASSEMBLY	1	2011-11_
8	FT300.50.111	REAR RUBBER CUSHION	2	2004-01_
8	TB550.50F-02	REAR RUBBER CUSHION	2	2010-07_
9	FT300.50.110	FRONT RUBBER WASHER	2	2004-01_

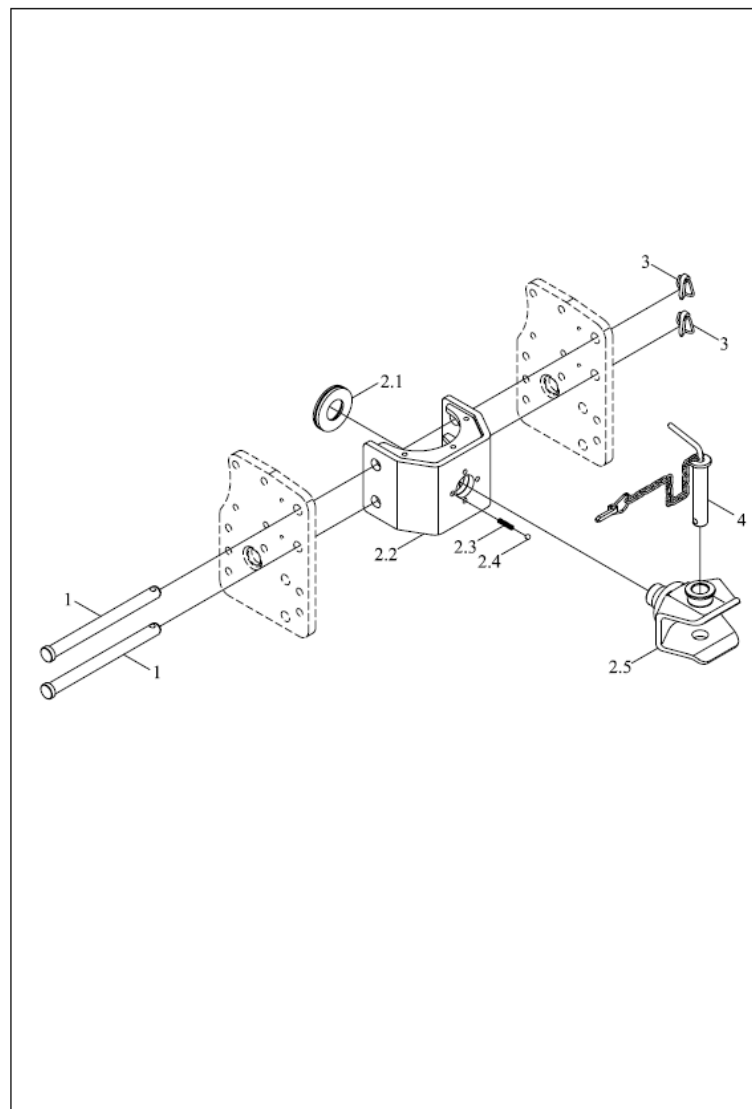
TB550.50F 燃油箱装配总成



## TB550.50F 50-燃油箱装配总成(续)

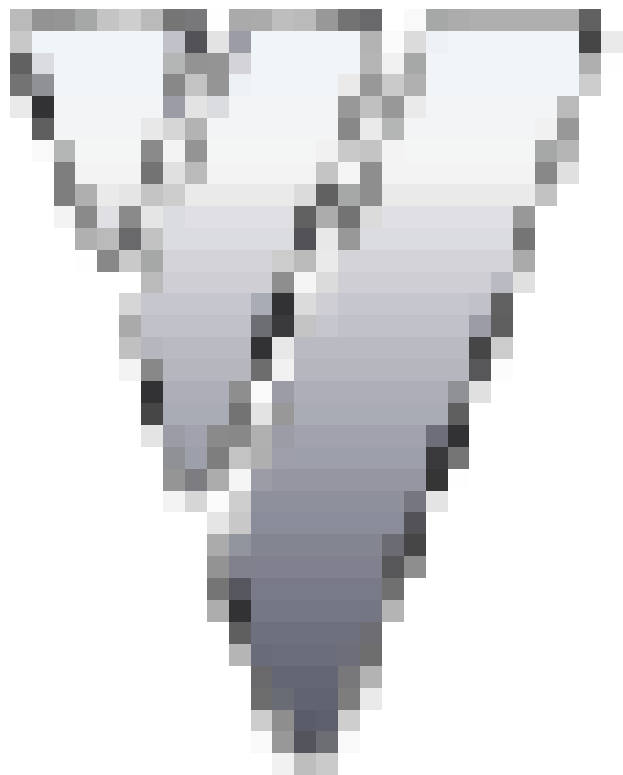
标号 No.	代号 Code	名称 Description	数量 Quantity	备注 Remark
9	TB550.50F-01	FRONT RUBBER WASHER	2	2010-07_

TB400.53B 拖挂装置总成



## TB400.53B 53-拖挂装置总成 53-TOW EQUIPMENT ASSEMBLY

标号 No.	代号 Code	名称 Description	数量 Quantity	备注 Remark
0	TB400.53B-01	DRAG HANG THE AUTHENTICATION THE SIGN	1	2010-08_
1	FT300.53.101a	CONNECTING PIN	2	2011-11_
2	TB400.53B.1	TOW MECHANISM ASSEMBLY WELDMENT	1	2011-11_
2.1	LA754.53A.2.1-03	RETAINER PLATE	1	2011-11_
2.2	TB400.53B.1.1	TOWING FRAME WELDMENT	1	2011-11_
2.3	LA754.53A.2.1-04	COMPRESSION SPRING	4	2011-11_
2.4	GBT308-10-G100-b	BALL	4	2011-11_
2.5	TA700.53C.1.1-01	U-HOOK	1	2011-11_
3	FT300.56.029	LOCKING PIN CHAIN ASSEMBLY	2	2011-11_
4	TA700.53C.1.3	TOWING PIN AND LOCKING PIN ASSEMBLY	1	2011-11_



FOTON

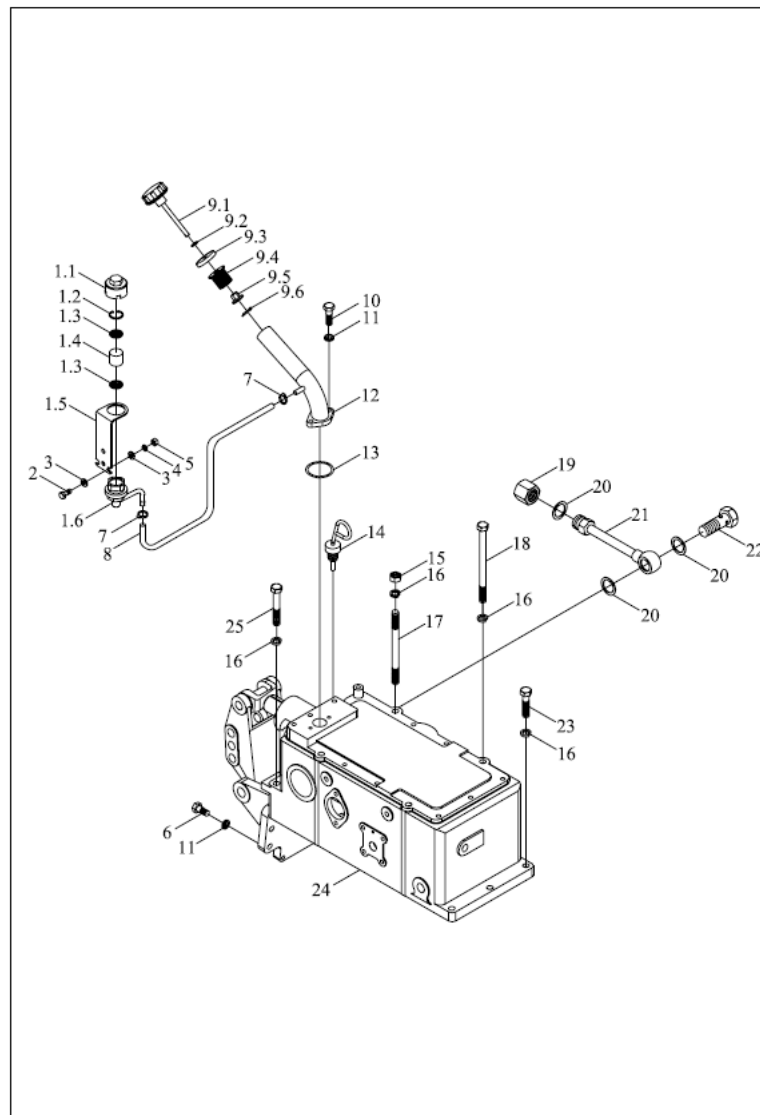
福田重工



## TB504.551A 55.1-提升器装配总成 55.1-LIFTER INSTALLATION ASSEMBLY

标号 No.	代号 Code	名称 Description	数量 Quantity	备注 Remark
0	TB504.551A-1	LIFTER INSTALLATION ASSEMBLY-7-1	0	2011-11_
0	TB504.551A-4	LIFTER INSTALLATION ASSEMBLY-4	0	2011-11_
0	TB504.551A-5	LIFTER INSTALLATION ASSEMBLY-5	0	2011-11_
0	TB504.551A-6	LIFT ASSEMBLY-6	0	2011-11_
0	TB504.551A-7	LIFT ASSEMBLY-7	0	2011-11_
0	FT500B.55.013E	DISTRIBUTOR ASSEMBLY	1	2010-04_
0	TB504.551A-3	LIFTER INSTALLATION ASSEMBLY-7-3	0	2011-11_
0	Ta700.55A.7-01a		1	2014-10_
0	TB504.551A-2	LIFTER INSTALLATION ASSEMBLY-7-2	0	2011-11_
1	TB504.551.1.1.4	FORCE ADJUSTING ECCENTRIC WHEEL WELDMENT ASSEMBLY	1	2011-11_
1	FT300.55B.026a	OIL FILLING PIPE WELDMENT	1	2014-10_
2	GBT5783-M10×20-A2L	BOLT	2	2011-11_
2	JBT982-33	COMBINED SEAL GASKET	1	2014-10_
24	FT500A.55.010	LIFTER AND OPERATION ASSEMBLY	1	2010-04_
24	FT500A.55.010	LIFTER AND OPERATION ASSEMBLY	1	2010-04_
24	TB504.551A.1	LIFTER ASSEMBLY	1	

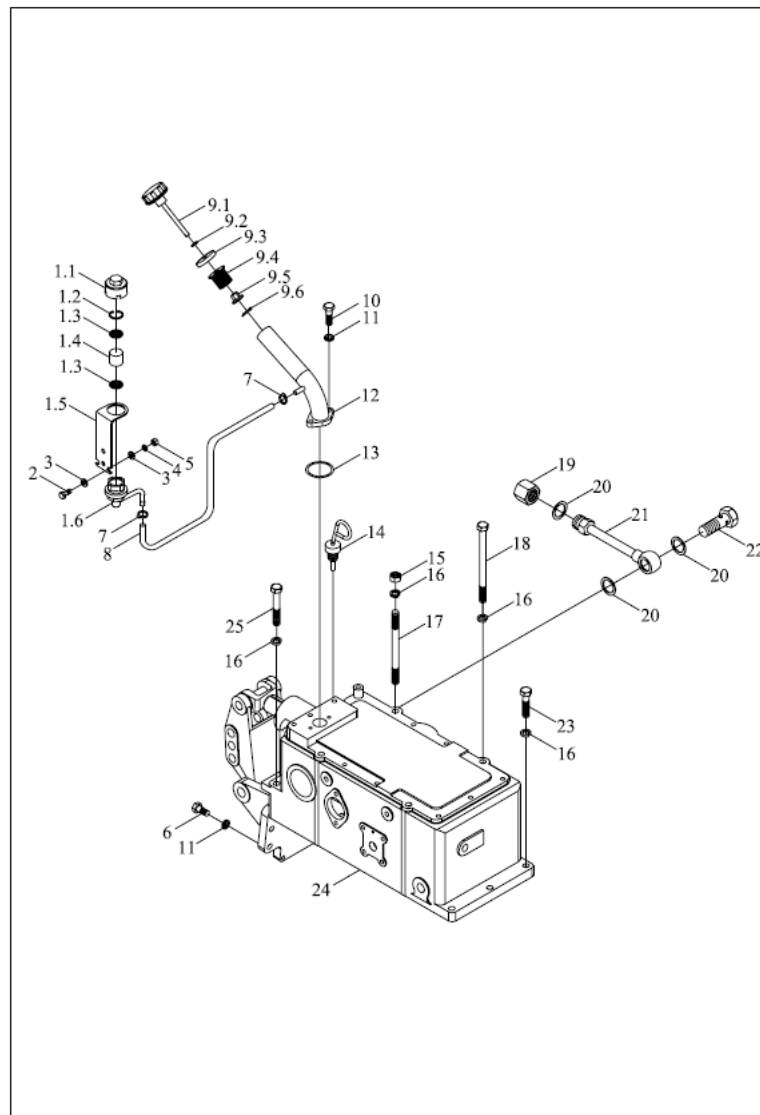
TB504.551A 提升器装配总成-1



## TB504.551A-1 55.1-提升器装配总成-1 LIFTER INSTALLATION ASSEMBLY-7-1

标号 No.	代号 Code	名称 Description	数量 Quantity	备注 Remark
0	TB-B02223	TOOL KIT	1	2014-01_
1	FT300.55B.016c		1	2011-11_
1.1	FT700.55D.136	RESPIRATOR COVER	1	2011-11_
1.1	FT700.55D.136	RESPIRATOR COVER	1	2011-11_
1.2	GBT893.1-26	SNAP RING	1	2011-11_
1.3	FT650.40.167	SEAT PLATE	2	2011-11_
1.4	FT700.55D.109	BREATH FILTER ELEMENT	1	2011-11_
1.5	FT300.55B.164	BREATH BRACKET	1	2011-11_
1.6	FT300.55B.027A	BREATH CONNECTING PIPE WELDMENT	1	2011-11_
10	GBT5783-M8X25-A3L	BOLT	2	2011-11_
11	GBT93-8-AOP	SPRING WASHER	6	2011-11_
12	FT300.55B.026	OIL FILLING PIPE WELDMENT	1	2011-11_
13	GBT3452.1-32.5X1.80G	O-SEAL RING	1	2011-11_
14	FT300.55B.022a	OIL DIPSTICK UNIT	1	2011-11_
15	GBT6170-M12-A3L	NUT	2	2011-11_
16	GBT93-12-AOP	WASHER	9	2011-11_
17	TB300.55-01	8.8-A3L STUD	2	2010-05_
18	FT500A.55.104	BOLT	2	2010-05_
19	FT300.55B.121a	OIL CONVEYING PIPE NUT	1	2011-11_
2	GBT5783-M10X20-8.8-A3L	BOLT	2	2010-04_
2	GBT5783-M10X20-8.8-A3L	BOLT	2	2010-04_
20	JBT982-22	COMBINED SEAL GASKET	3	2011-11_
21	FT300.55B.024	OIL DISCHARGING PIPE WELDMENT ASSEMBLY	1	2011-11_
22	FT300.58.101	HOLLOW BOLT	1	2011-11_
23	GBT5783-M12X40-A3L	BOLT	3	2011-11_

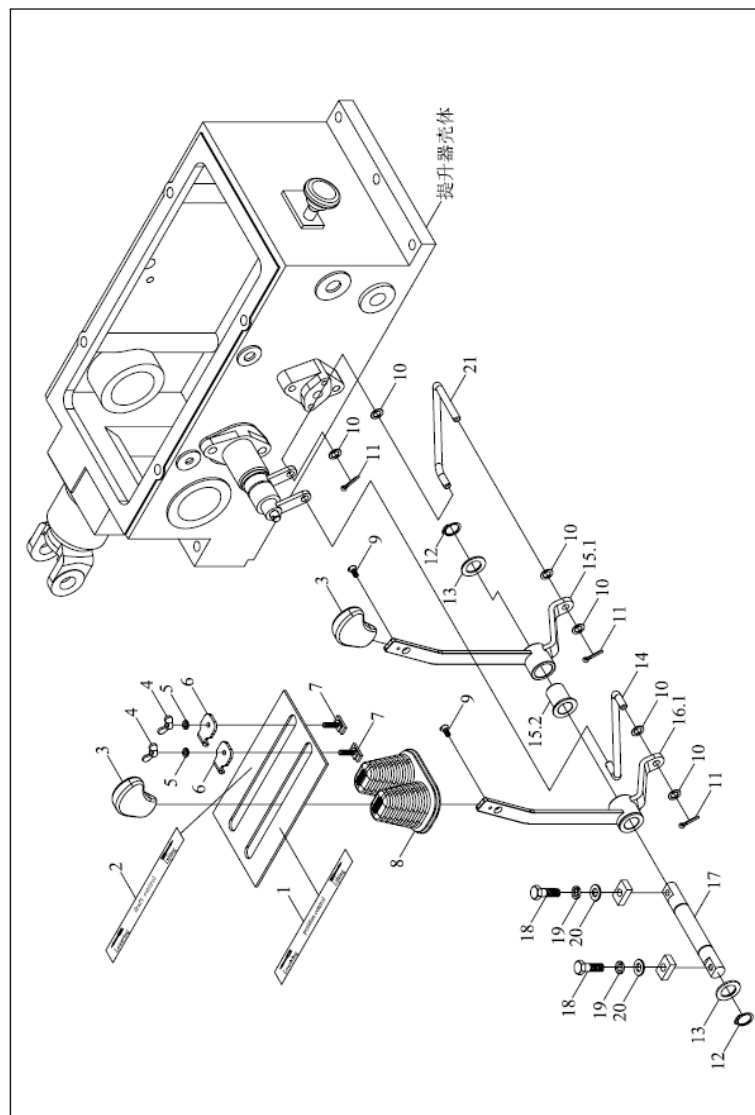
TB504.551A 提升器装配总成-1



## TB504.551A-1 55.1-提升器装配总成-1(续)

标号 No.	代号 Code	名称 Description	数量 Quantity	备注 Remark
24	TB504.551A.1a	LIFTER ASSEMBLY	1	2010-04_
25	GBT5783-M12X100-A3L	BOLT	2	2011-11_
3	GBT97.1-10-AOP	WASHER	4	2011-11_
4	GBT93-10	WASHER 10	2	2011-11_
5	GBT6170-M10-A2L	NUT	2	2011-11_
6	GBT5783-M8X35-A3L	BOLT	4	2011-11_
7	Q67512	HOSE RING HOOP	2	2011-11_
8	FT300.55B.169	BREATHER CONNECTING RUBBER HOSE 2	1	2011-11_
9	TA700.55A.7	PLUG,THREADED	1	2013-05_
9	FT300.55B.029	OIL PIPE PLUG ASSEMBLY	1	2011-11_
9.1	FT700.55D.029	HANDLE WHEEL ASSEMBLY I	1	2011-11_
9.2	JBT982-8	COMBINED GASKET	1	2011-11_
9.3	FT700.55D.129	COVER PLATE	1	2011-11_
9.4	FT300.55B.165	TENSION RUBBER SLEEVE	1	2011-11_
9.5	FT300.55B.166	ADJUSTING NUT	1	2011-11_

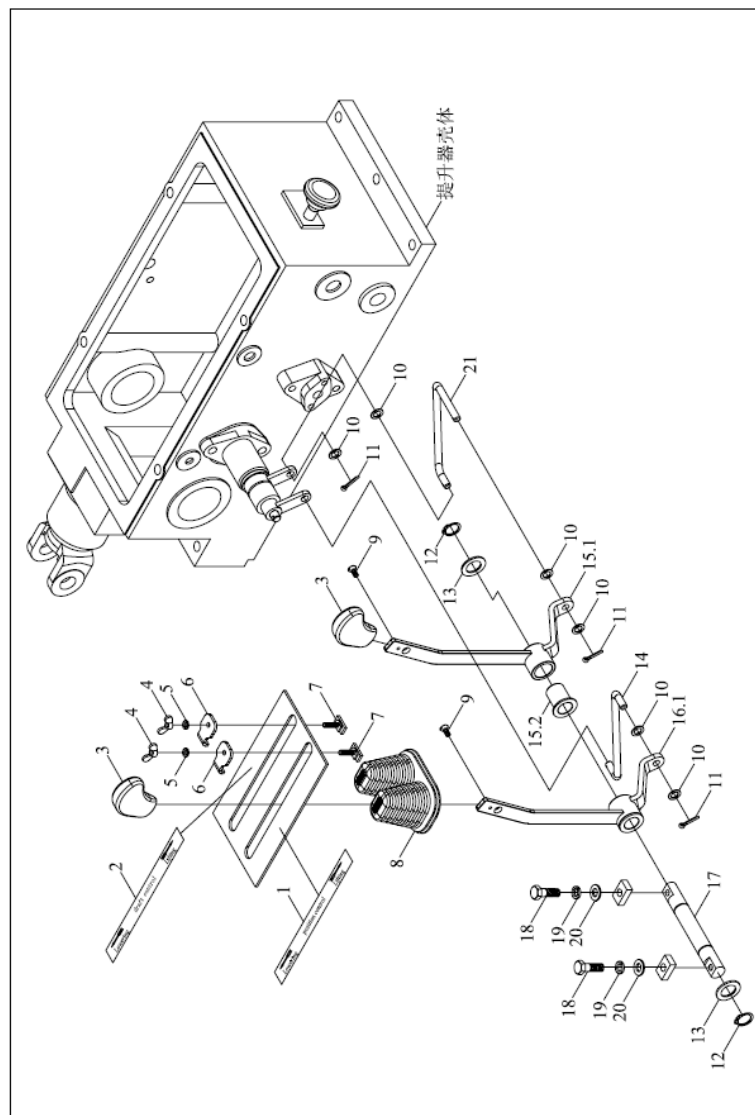
TB504.552C 提升器操纵机构总成



## TB504.552C 55.2-提升器操纵机构总成 55.2-LIFTER CONTROL MECHANISM ASSEMBLY

标号 No.	代号 Code	名称 Description	数量 Quantity	备注 Remark
1	TB504.552A-05	POSITION ADJUSTING SIGN	1	2011-11_
10	GBT95-8-A0P	WASHER	4	2011-11_
11	GBT91-2X16-A0P	PIN	4	2011-11_
12	GBT894.1-18	RETAINER RING	2	2011-11_
13	TB504.552A-03	NYLON WASHER	1	2011-11_
14	TB504.552A.3	CONNECTING ROD WELDMENT	1	2004-01_
14	TB504.552A.3a	CONNECTING ROD WELDMENT	1	2010-04_
15	TB504.552A.2	LIFTER LEFT CONTROL PRESSURE UNIT	1	2004-01_
15	TB504.552A.2b	LIFTER LEFT CONTROL PRESSURE UNIT	1	2011-09_
15	TB504.552A.2a	LIFTER LEFT CONTROL PRESSURE UNIT	1	2010-04_
15.1	TB504.552A.2b.1	LIFTER LEFT CONTROL WELDMENT	1	2011-09_
15.2	TB504.552A.1-01	NYLON SPACER BUSH	1	2011-11_
16	TB504.552A.1a	LIFTER RIGHT CONTROL PRESSURE UNIT	1	2010-04_
16	TB504.552A.1	LIFTER RIGHT CONTROL PRESSURE UNIT	1	2004-01_
16	TB504.552A.1b	LIFTER RIGHT CONTROL PRESSURE UNIT	1	2011-09_
16.1	TB504.552A.1b.1	LIFTER RIGHT CONTROL WELDMENT	1	2011-09_
16.2	TB504.552A.1-01	NYLON SPACER BUSH	1	2011-11_
17	TB504.552A-01	ROTATING SHAFT	1	2011-11_
18	GBT5783-M8X35-8.8-A2L	BOLT	2	2011-11_
19	GBT93-8-A0P	WASHER	2	2011-11_
2	TB504.552A-04	FORCE ADJUSTING SIGN	1	2011-11_
20	GBT97.1-8-A0P	WASHER	2	2011-11_
21	TB504.552C.3	CONNECTING ROD WELDMENT	1	2004-01_
21	TB504.552C.3a	CONNECTING ROD WELDMENT	1	2010-04_
3	TB504.552-04	HANDLE HEAD ASSEMBLY	2	2011-11_

TB504.552C 提升器操纵机构总成

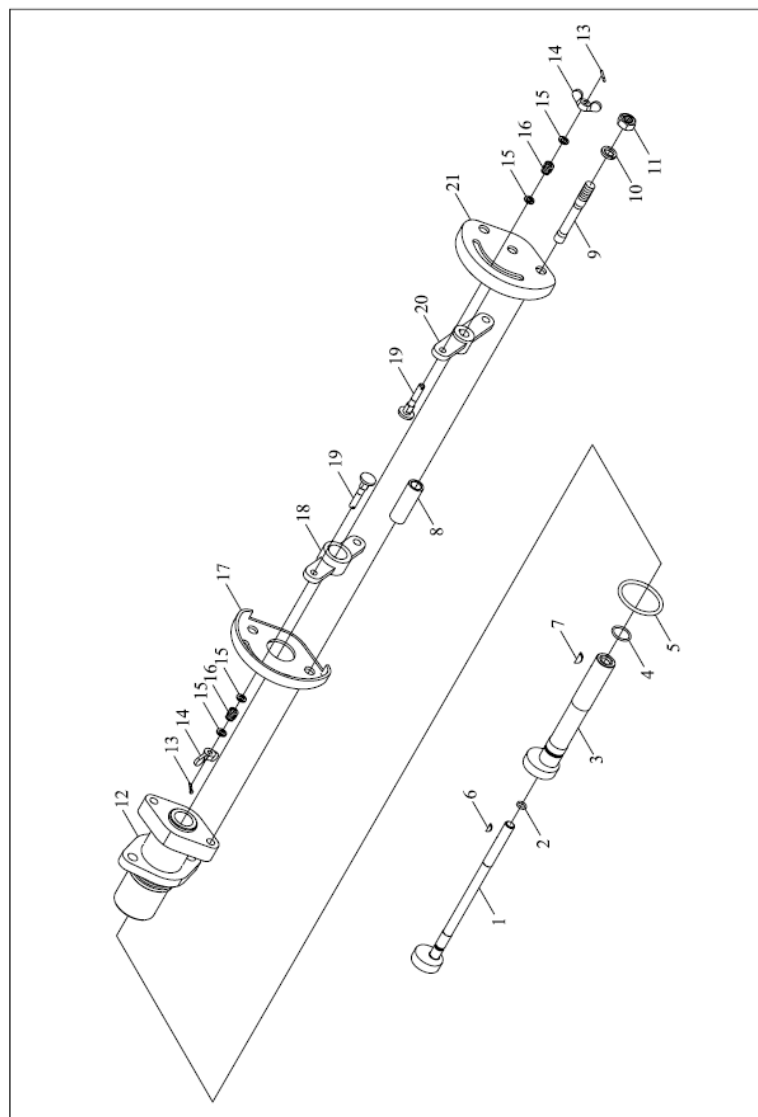




## TB504.552C 55.2-提升器操纵机构总成(续)

标号 No.	代号 Code	名称 Description	数量 Quantity	备注 Remark
4	GBT62-M5-A2L	BUTTERFLY NUT	2	2011-11_
5	GBT93-5-A0P	WASHER	2	2011-11_
6	TB504.552-03	LIMIT PLATE	2	2011-11_
7	TB504.552.5	LIMITING BOLT WELDMENT	2	2011-11_
8	TB504.552A-02	DUST COVER	1	2009-12_
8	TB504.552A-02a	DUST COVER	1	2011-09_
9	GBT68-M4X10-A2L		2	2011-11_

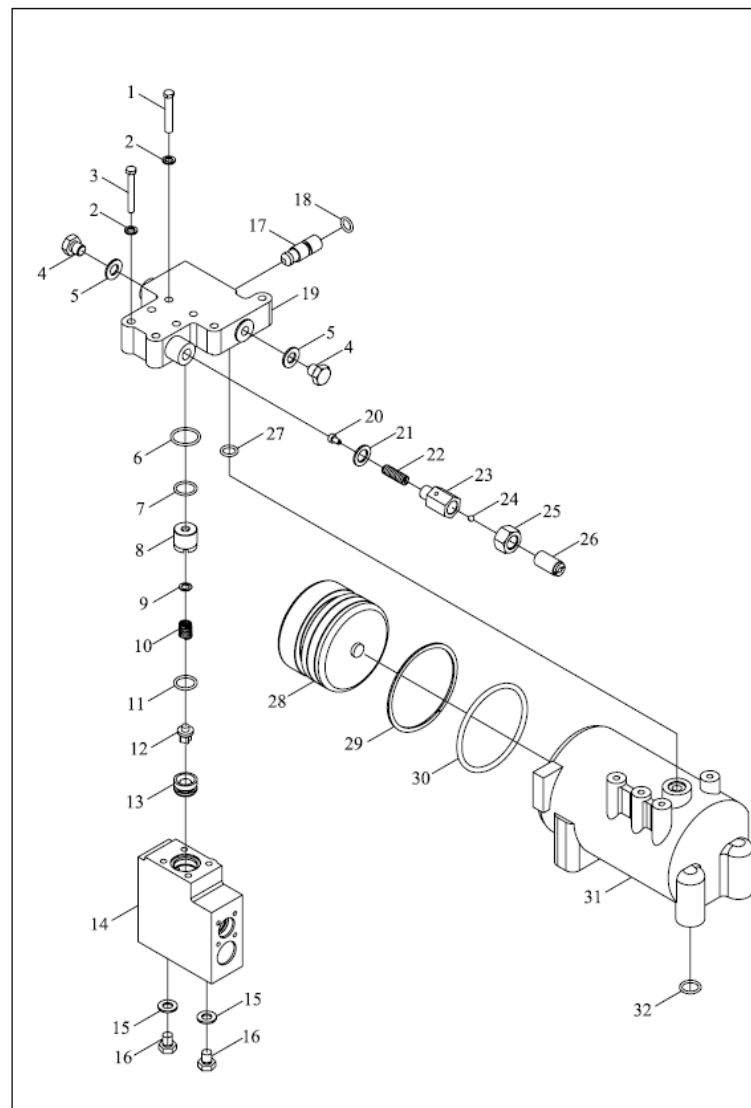
TB504.551A 提升器装配总成-2



## TB504.551A-2 55.2-提升器装配总成-2 LIFTER INSTALLATION ASSEMBLY-7-2

标号 No.	代号 Code	名称 Description	数量 Quantity	备注 Remark
0	TB504.551A.1a	LIFTER ASSEMBLY	1	2011-11_
0.1	TB504.551B.1.1	DISTRIBUTOR CONTROL MECHANISM ASSEMBLY	1	2011-11_
0.3	TB504.551A.1.1	DISTRIBUTOR CONTROL MECHANISM ASSEMBLY	1	2010-04_
1	TB504.551.1.1.4	FORCE ADJUSTING ECCENTRIC WHEEL WELDMENT ASSEMBLY	1	2011-11_
10	GBT93-10-A0P	WASHER	2	
11	GBT6170-M10-A3L	NUT	2	
12	TB504.551.1.1-01	RETAINER	1	2011-11_
13	GBT91-2×12	PIN	2	
14	GBT62-M6-A2L	BUTTERFLY NUT	2	
15	GBT96-6-A0P	WASHER	4	
16	25.55.131	HANDLE PRESSING SPRING	2	2011-11_
17	TB504.551B.1.1-02	POSITION ADJUSTING SECTOR PLATE	1	2011-11_
18	TB504.551.1.1.1	POSITION ADJUSTING ROCKER WELDMENT	1	2011-11_
19	FT65.57.103	HANDLE PRESSING SCREW	2	2011-11_
2	GBT3452.1-6.9X1.80G	O-SEAL RING	1	
20	TB504.551.1.1.2	FORCE ADJUSTING ROCKER WELDMENT	1	2011-11_
21	TB504.551B.1.1-01	FORCE ADJUSTING SECTOR PLATE	1	2011-11_
3	TB504.551.1.1.3	POSITION ADJUSTING ECCENTRIC WHEEL WELDMENT ASSEMBLY	1	2011-11_
4	GBT3452.1-17.0X1.80G	O-SEAL RING	1	
5	GBT3452.1-41.2X3.55G	O-SEAL RING	1	
6	GBT1099.1-2.5X3.7X10	SEMICIRCLE KEY	1	
7	GBT1099.1-3X5X13	SEMICIRCLE KEY	1	
8	TB504.551.1.1-04	SPACER BUSH	2	2011-11_
9	GBT898-M10X65-A2L	8.8-A3L STUD	2	
9	GBT898-M10X65-A2L	8.8-A3L STUD	2	

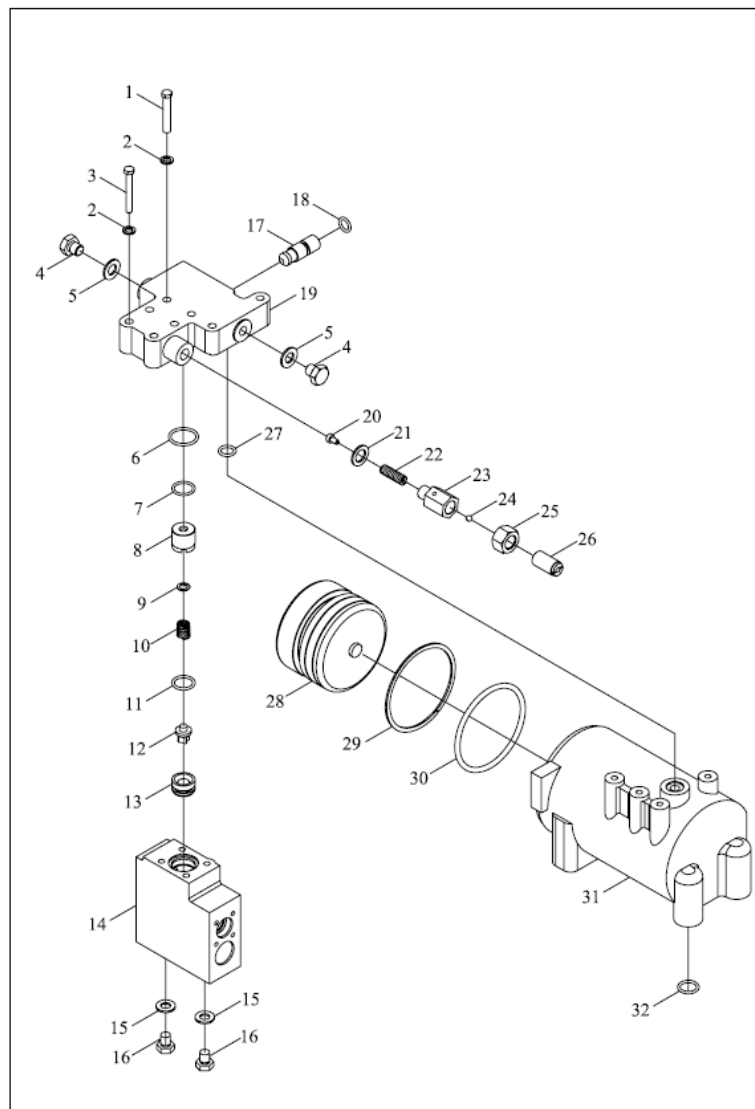
TB504.551A 提升器装配总成-3



## TB504.551A-3 55.3-提升器装配总成-3 LIFTER INSTALLATION ASSEMBLY-7-3

标号 No.	代号 Code	名称 Description	数量 Quantity	备注 Remark
.2	TB504.551A.1a	LIFTER ASSEMBLY	1	2011-11_
1	GBT5782-M8X45	BOLT	4	2011-11_
10	T30.57.144B	ONE-WAY VALVE SPRING	1	2011-11_
11	GBT3452.1-19X2.65	O-SEAL RING	1	2011-11_
12	T30.57.142B	ONE-WAY VALVE BODY	1	2011-11_
13	T30.57.143B	ONE-WAY VALVE SEAT	1	2011-11_
14	KM550.55.120E	DISTRIBUTOR HOUSING	1	2011-11_
15	JBT982-10	COMBINED SEAL GASKET	2	2011-11_
15	JBT982-10	COMBINED SEAL GASKET	2	2011-11_
16	JBT1000-M10X1	HEXAGON SCREW PLUG	2	2011-11_
17	FT500B.55.246	INTERCEPTING VALVE	1	2011-11_
18	GBT3452.1-11.8X2.65	O RING	1	2011-11_
18	GBT3452.1-11.8X2.65	O-SEAL RING	1	2011-11_
19	FT500B.55.107	DISTRIBUTOR SUPPORT SEAT	1	2011-11_
2	GBT93-8	WASHER 8	8	2011-11_
20	TS300B.55.211	SPRING SEAT OF SAFETY VALVE	1	2011-11_
21	TS300B.55.210	ALUMINUM GASKET	1	2011-11_
22	12.55.218	SAFETY VALVE SPRING	1	2011-11_
23	TS300B.55.209	SAFETY VALVE BODY	1	2011-11_
24	GBT308-φ6 II	BALL	1	2011-11_
25	GBT6173-M16X1.5	HEXAGON NUT	1	2011-11_
26	TS300B.55.251	SCREW	1	2011-11_
27	GBT3452.1-13.2X2.65	O-SEAL RING	1	2011-11_
28	KM550.55.023	PISTON	1	2011-11_
29	520.55.143	RETAINER RING	1	2011-11_

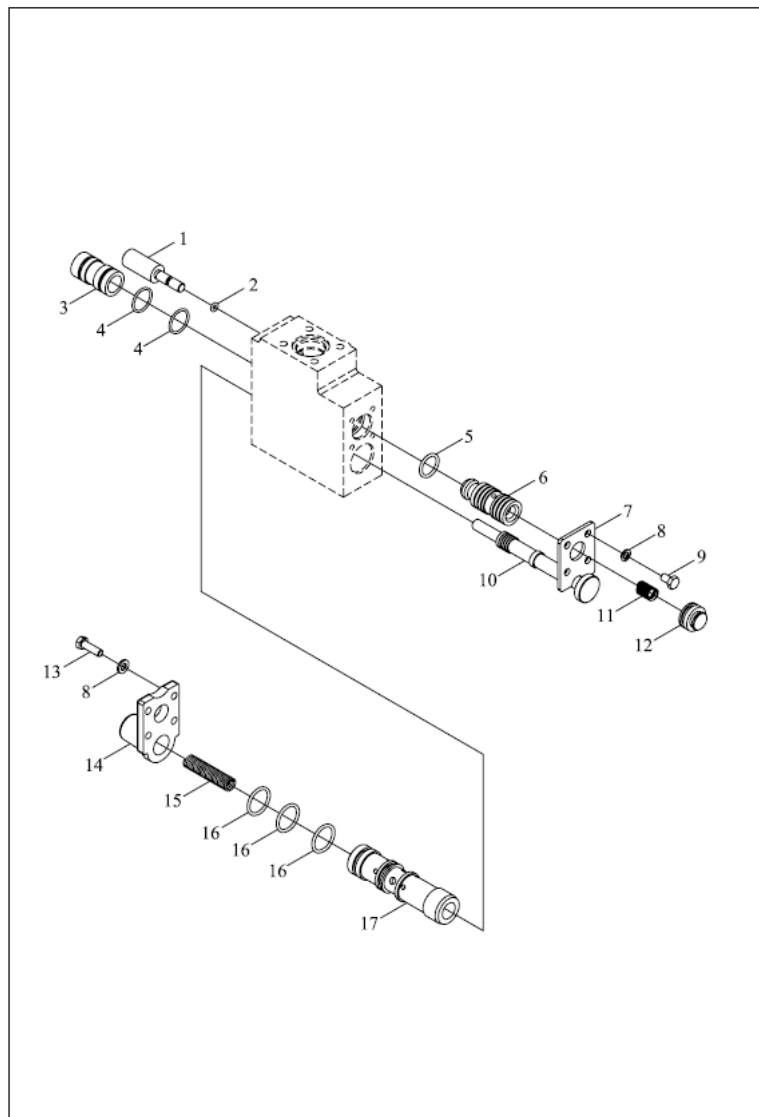
TB504.551A 提升器装配总成-3



## TB504.551A-3 55.3-提升器装配总成-3(续)

标号 No.	代号 Code	名称 Description	数量 Quantity	备注 Remark
3	GBT5782-M8X50	BOLT	4	2011-11_
30	GBT3452.1-90X5.3	O-SEAL RING	1	2011-11_
31	FT500B.55.106	OIL CYLINDER BODY	1	2011-11_
32	GBT3452.1-17X2.65	O-RING	4	2011-11_
4	JBT1000-M12X1.5	HEXAGON SCREW PLUG	2	2011-11_
5	JBT982-12	COMBINED SEAL GASKET	2	2011-11_
6	GBT3452.1-25.7X2.65	O-SEAL RING	1	2011-11_
6	GBT3452.1-25.7X2.65	O-SEAL RING	1	2011-11_
7	GBT1235-24X2.4	O-RING	1	2011-11_
8	YT300A.55.124	ONE-WAY VALVE SLEEVE	1	2011-11_
9	T30.57.164	ONE-WAY VALVE BODY GASKET	1	2011-11_

TB504.551A 提升器装配总成-4

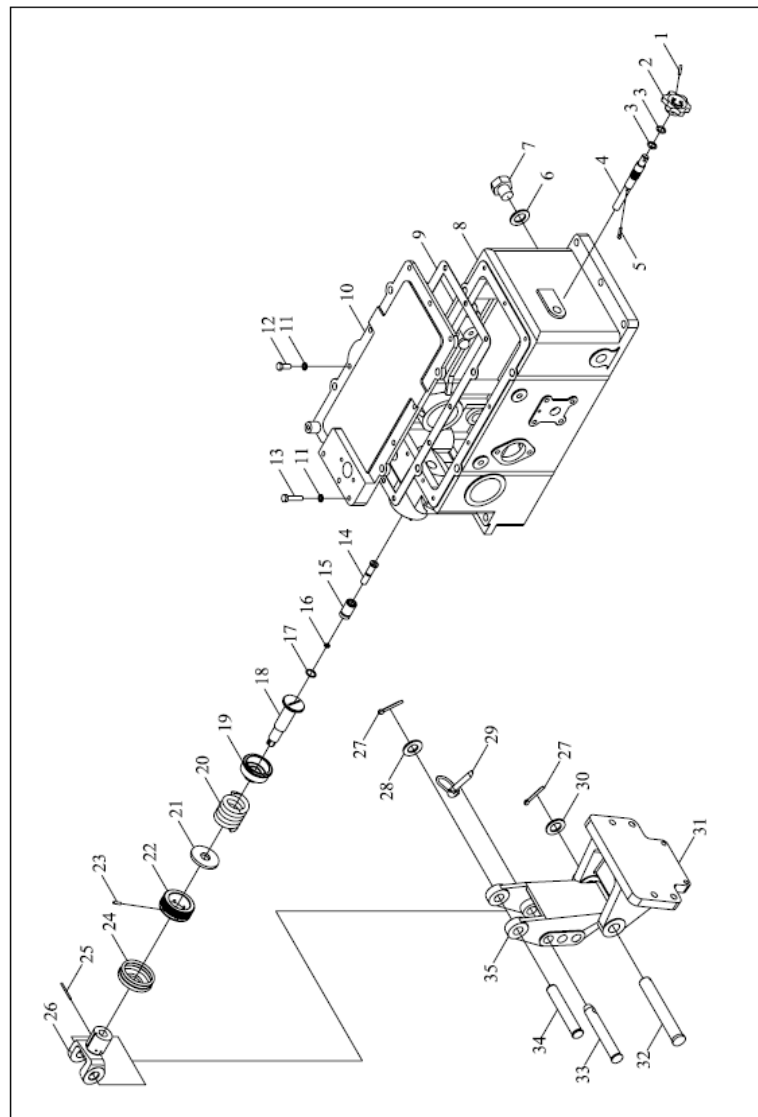




## TB504.551A-4 55.4-提升器装配总成-4 LIFTER INSTALLATION ASSEMBLY-4

标号 No.	代号 Code	名称 Description	数量 Quantity	备注 Remark
.2	TB504.551A.1a	LIFTER ASSEMBLY	1	2011-11_
1	TS300B.55.187	ADJUSTING VALVE	1	2011-11_
10	TS300.55.172	MAIN CONTROL VALVE	1	2011-11_
11	25.55.184	SPRING	1	2011-11_
12	25.55.176	OIL RETURN VALVE REAR PLUG	1	2011-11_
13	GBT5783-M6X20	BOLT	4	2011-11_
14	KR130.55.183	VALVE FRONT COVER	1	2011-11_
15	25.55.181	MAIN CONTROL VALVE SPRING	1	2011-11_
16	GBT1235-26X2.4	O-RING	3	2011-11_
17	TS300.55.217	MAIN CONTROL VALVE SLEEVE	1	2011-11_
2	GBT1235-8X1.9	O-RING	1	2011-11_
3	KR130.55.105	SEAL SLEEVE	1	2011-11_
4	GBT3452.1-19X1.8	O-SEAL RING	2	2011-11_
5	GBT1235-22X2.4	O-RING	1	2011-11_
6	KR130.55.103	OIL RETURN VALVE BODY	1	2011-11_
7	25.55.180	LIMIT PLATE	1	2011-11_
8	GBT93-6	WASHER	8	2011-11_
9	GBT5783-M6X10	BOLT	4	2011-11_

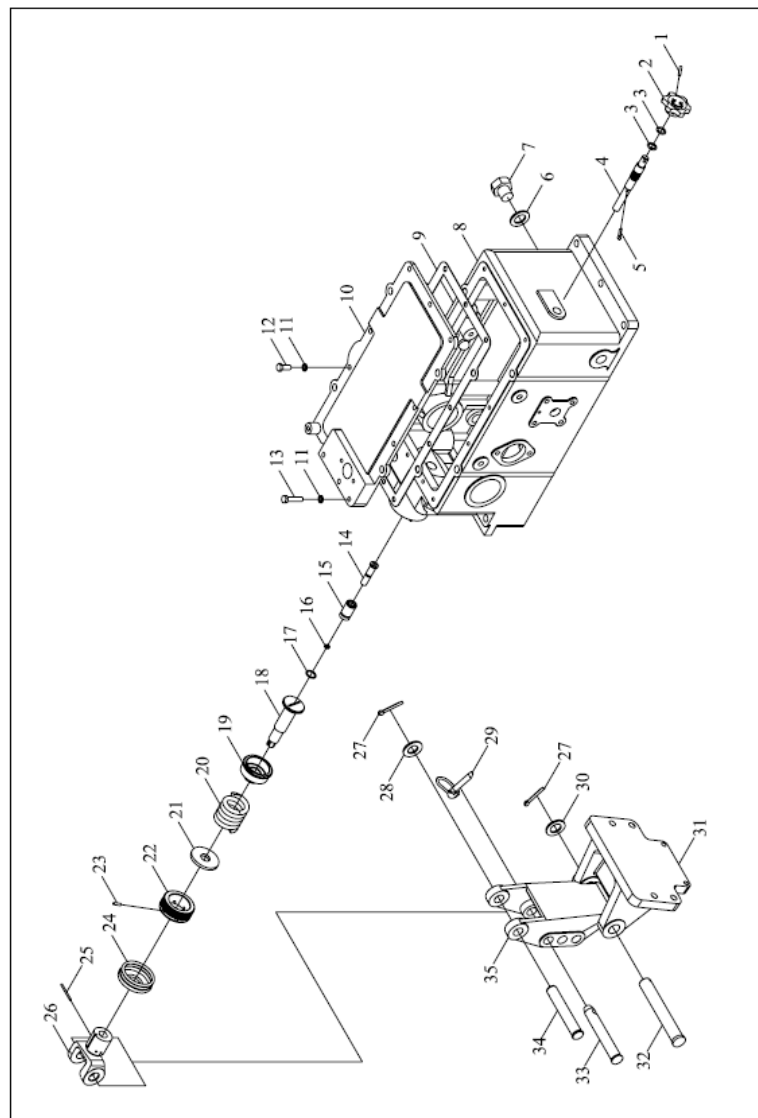
TB504.551A 提升器装配总成-5



## TB504.551A-5 55.5-提升器装配总成-5 LIFTER INSTALLATION ASSEMBLY-5

标号 No.	代号 Code	名称 Description	数量 Quantity	备注 Remark
.2	TB504.551A.1a	LIFTER ASSEMBLY	1	2011-11_
1	GBT879-4X20	PIN	1	2011-11_
10	FT500A.55.104B	LIFTER UPPER COVER	1	2011-11_
11	GBT93-8	WASHER 8	11	2011-11_
12	GBT5781-M8X20		7	2011-11_
13	GBT5781-M8X35		4	2011-11_
14	25.55.146L	PUSH ROD SLEEVE	1	2011-11_
15	25.55.145L	FORCE ADJUSTING SEAL SLEEVE	1	2011-11_
16	GBT1235-11X1.9	O-RING	1	2011-11_
17	GBT3452.1-16X1.8	O-SEAL RING	1	2011-11_
18	25.55.158	SPRING ROD	1	2011-11_
19	25.55.159	SPRING SEAT	1	2011-11_
2	E300.55.140A	SPEED DROP VALVE HAND WHEEL	1	2011-11_
2	E300.55.140A	SPEED DROP VALVE HAND WHEEL	1	2011-11_
20	25.55.157	FORCE ADJUSTING SPRING	1	2011-11_
21	25.55.160	SPRING PRESSURE PLATE	1	2011-11_
22	25.55.161	NUT	1	2011-11_
23	GBT119-C4X14	PIN	1	2011-11_
24	25.55.162	DUSTPROOF COVER	1	2011-11_
25	GBT119-B3X40	PIN	1	2011-11_
26	YT300A.55.121	UPPER PULL ROD CONNECTING JOINT	1	2011-11_
27	GBT91-5X36	PIN	2	2011-11_
28	GBT97.1-22	WASHER	1	2011-11_
29	25.56.030	LOCKING PIN AND RING ASSEMBLY	1	2011-11_
3	GBT3452.1-11.2X2.65	O-SEAL RING	2	2011-11_

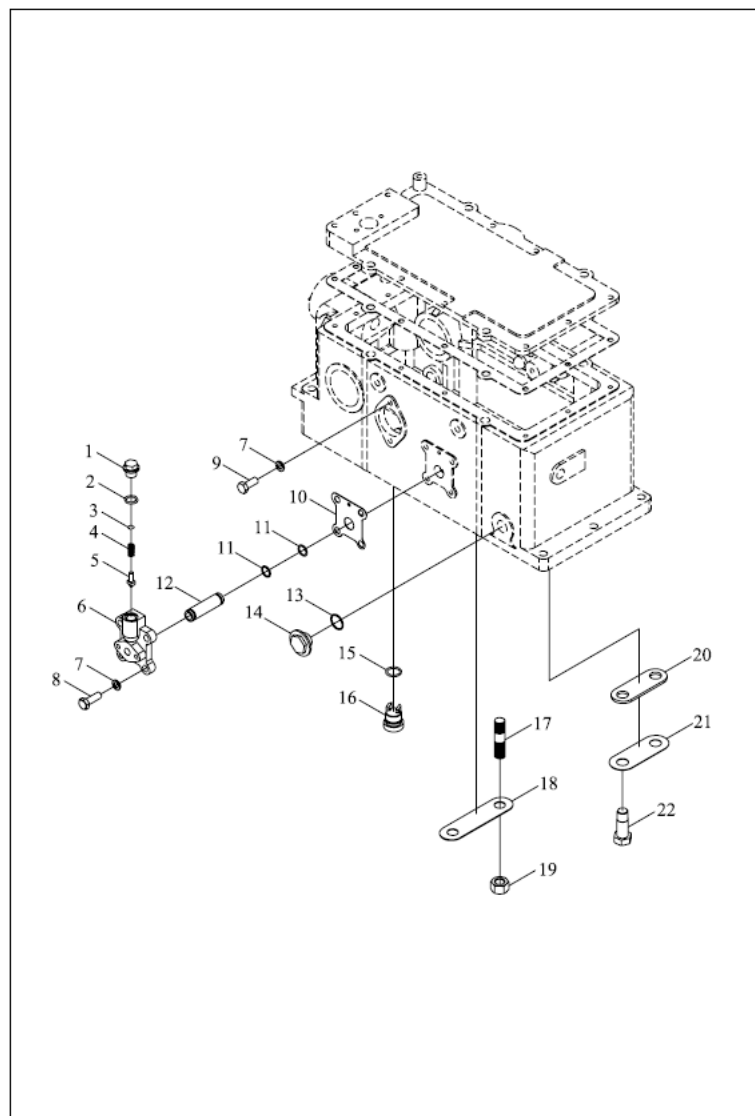
TB504.551A 提升器装配总成-5



## TB504.551A-5 55.5-提升器装配总成-5(续)

标号 No.	代号 Code	名称 Description	数量 Quantity	备注 Remark
30	GBT97.1-20	WASHER	1	2011-11_
31	FT500A.55.128	UPPER SUSPENSION POINT ROCKER SEAT	1	2011-11_
32	450.55.167	ROCKER CONNECTING PIN	1	2011-11_
33	FT500A.55B.182	ROCKER FRONT CONNECTING PIN	1	2011-11_
34	FT500A.55.106	ROCKER UPPER CONNECTING PIN	1	2011-11_
35	FT500B.55.130A	UPPER JOINT ROCKER ARM	1	2011-11_
4	YT300A.55.116	LOW SPEED CONTROL LEVER	1	2011-11_
5	GBT91-4X20	PIN	1	2011-11_
6	JBT982-22	COMBINED SEAL GASKET	1	2011-11_
7	GBT5786-M22X1.5X20	BOLT	1	2011-11_
8	TB504.551A.1-01	LIFTER HOUSING	1	2011-11_
9	FT500A.55.103	UPPER COVER PAPER GASKET	1	2011-11_

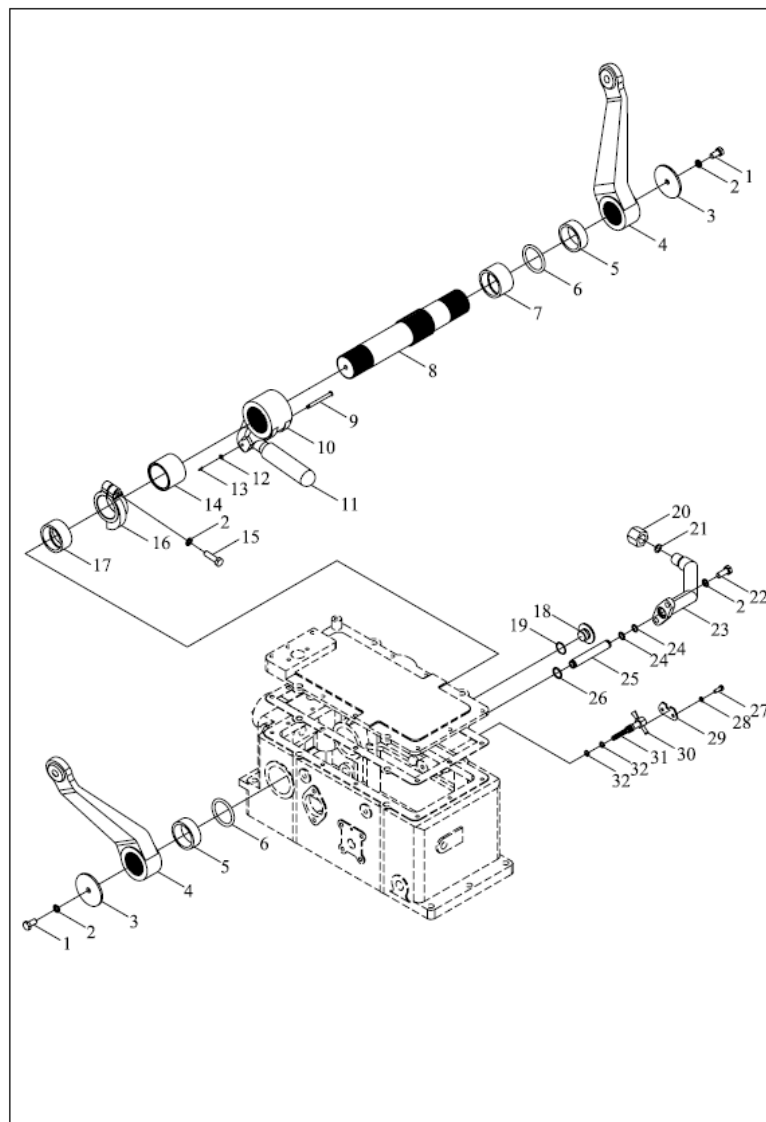
TB504.551A 提升器装配总成-6



## TB504.551A-6 55.6-提升器装配总成-6 LIFT ASSEMBLY-6

标号 No.	代号 Code	名称 Description	数量 Quantity	备注 Remark
.2	TB504.551A.1a	LIFTER ASSEMBLY	1	2011-11_
1	300.55.130	PLUG	1	2011-11_
10	FT500B.55.102	OIL INLET CONNECTING PLATE PAPER GASKET	1	2011-11_
11	GBT3452.1-15X1.8	O-SEAL RING	2	2011-11_
12	FT500B.55.103	OIL INLET PIPE	1	2011-11_
13	GBT3452.1-22.4X1.8	O-RING	1	2011-11_
14	FT500B.55.197	PLUG	1	2011-11_
15	GBT1235-24X2.4	O-RING	1	2011-11_
16	TS300B.55.110	SPRING HOOK	1	2011-11_
17	GBT898-AM16X40	STUD	2	2011-11_
18	FT500B.55.118	LOCK SHIM	1	2011-11_
19	GBT6170-M16	NUT	2	2011-11_
2	GBT3452.1-15X2.65	O-SEAL RING	1	2011-11_
20	FT500B.55.120	WASHER	1	2011-11_
21	FT500B.55.121	LOCK SHIM	1	2011-11_
22	FT500B.55.125	OIL CYLINDER BOLT	2	2011-11_
3	300.55.131-132	ADJUSTING WASHER	999	2011-11_
4	300.55.133	SAFTY VALVE SPRING OF OIL CYLINDER	1	2011-11_
5	300.55.134	SAFTY VALVE BODY OF CYLINDER	1	2011-11_
6	FT500B.55.108A	OIL INLET CONNECTING PLATE	1	2011-11_
7	GBT93-10	WASHER 10	6	2011-11_
8	GBT5781-M10X30		4	2011-11_
9	GBT5783-M10X25	BOLT	2	2011-11_

TB504.551A 提升器装配总成-7

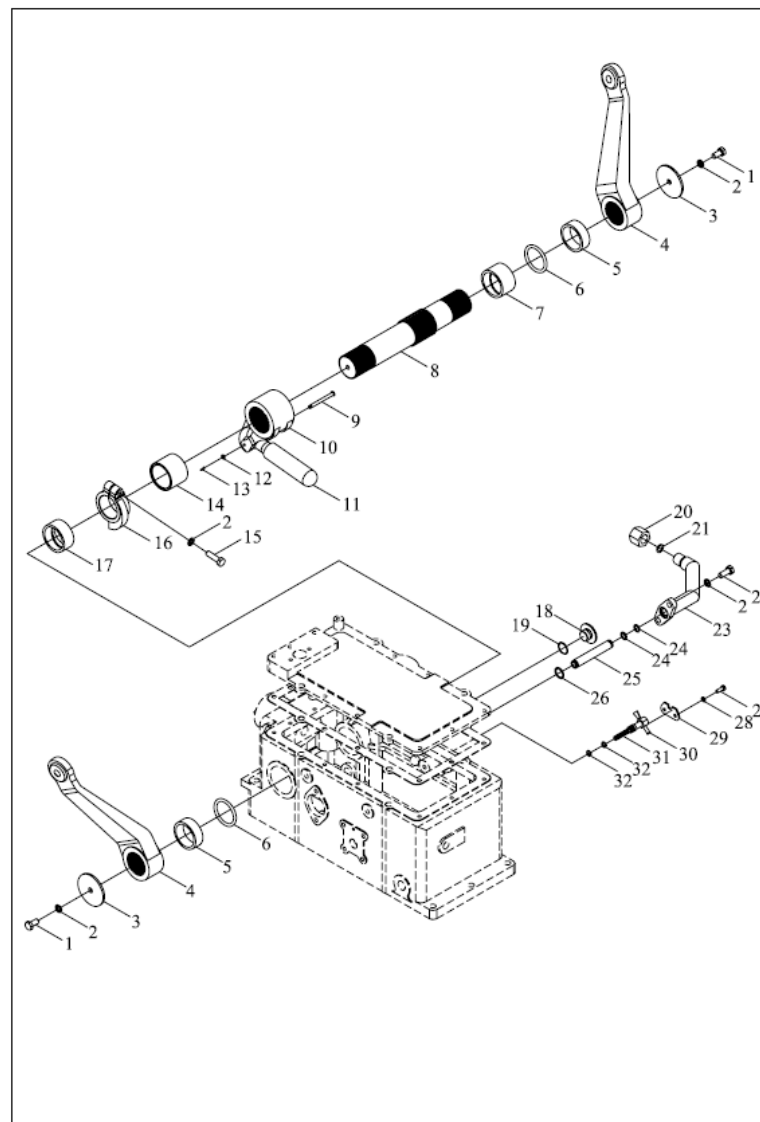




## TB504.551A-7 55.7-提升器装配总成-7 LIFT ASSEMBLY-7

标号 No.	代号 Code	名称 Description	数量 Quantity	备注 Remark
.2	TB504.551A.1a	LIFTER ASSEMBLY	1	2011-11_
1	GBT5781-M10X20	BOLT	2	2011-11_
1	GBT5781-M10X20		2	2011-11_
10	FT500B.55.113E	INNER LIFTING ARM	1	2011-11_
11	FT500B.55.114D	PISTON TOP ROD	1	2011-11_
12	GBT97.1-5	WASHER	1	2011-11_
13	GBT91-2X12	PIN	1	2011-11_
14	KM550.55.105-1	SHAFT SLEEVE	1	2011-11_
15	GBT5783-M10X35	BOLT	1	2011-11_
16	KM550.55.109	CAM	1	2011-11_
17	FT500B.55.104B	SHAFT SLEEVE	1	2011-11_
18	FT500B.55.197	PLUG	1	2011-11_
19	GBT3452.1-22.4X1.8	O-RING	1	2011-11_
2	GBT93-10	WASHER 10	5	2011-11_
20	FT300.55B.121a	OIL CONVEYING PIPE NUT	1	2011-11_
21	GBT3452.1-12.5X2.65	O RING	1	2011-11_
22	GBT5783-M10X25	BOLT	2	2011-11_
23	FT300.55B.120a	HYDRAULIC OUTLET PIPE JOINT	1	2011-11_
24	GBT1235-16X2.4	O-RING	2	2011-11_
25	FT500B.55.105	OIL OUTLET PIPE	1	2011-11_
26	GBT1235-24X2.4	O-RING	1	2011-11_
27	GBT5781-M6X16		2	2011-11_
28	GBT93-6	WASHER	2	2011-11_
29	YT300A.55.122	INTERCEPTING VALVE LIMIT PLATE	1	2011-11_
3	FT500B.55.127	LIFTING ARM PRESSURE PLATE	2	2011-11_

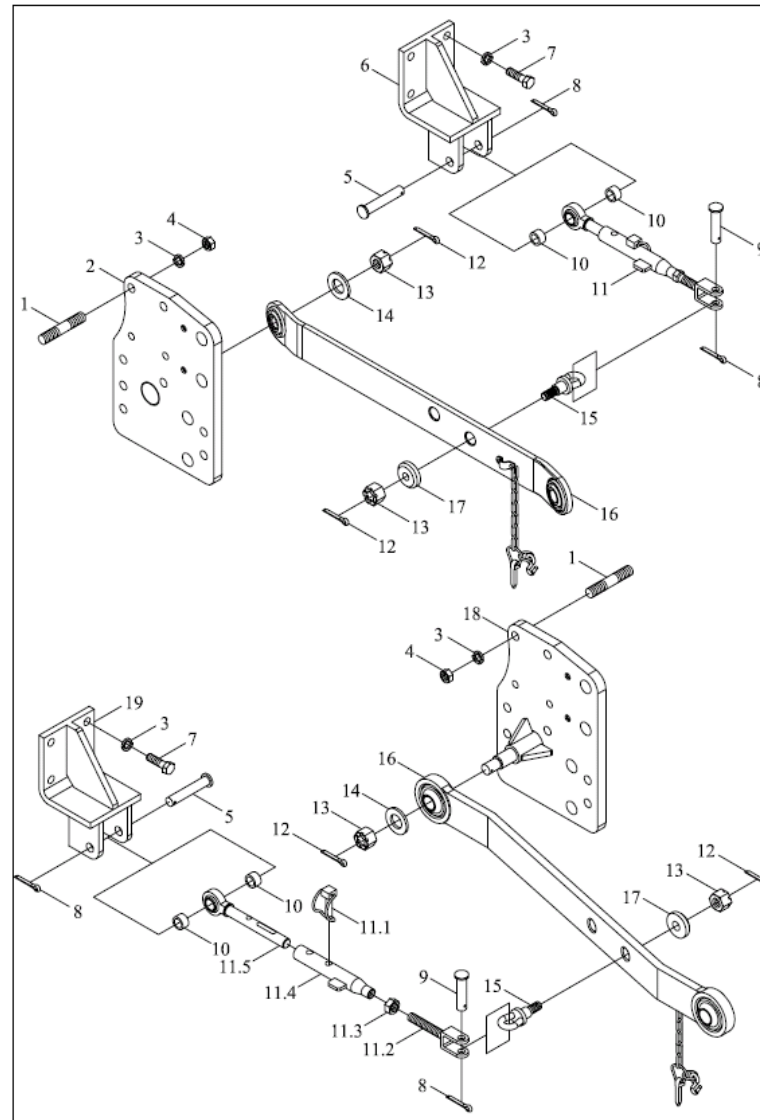
TB504.551A 提升器装配总成-7



## TB504.551A-7 55.7-提升器装配总成-7(续)

标号 No.	代号 Code	名称 Description	数量 Quantity	备注 Remark
30	BY350.55.163	ADJUSTING VALVE SOLENOID HANDLE	1	2011-11_
31	FT500B.55.126	INTERCEPTING VALVE ADJUSTING ROD	1	2011-11_
32	GBT1235-13X1.9	O-RING	2	2011-11_
4	FT500A.55B.016	LIFTING ARM ASSEMBLY	2	2011-11_
5	FT500B.55.115A	LIFTING SHAFT SLEEVE B	2	2011-11_
6	GBT1235-60X5.7	O-RING	2	2011-11_
7	FT500B.55.122A	SHAFT SLEEVE	1	2011-11_
8	FT500A.55.110	LIFTING SHAFT	1	2011-11_
9	GBT882-B5X65	PIN	1	2011-11_

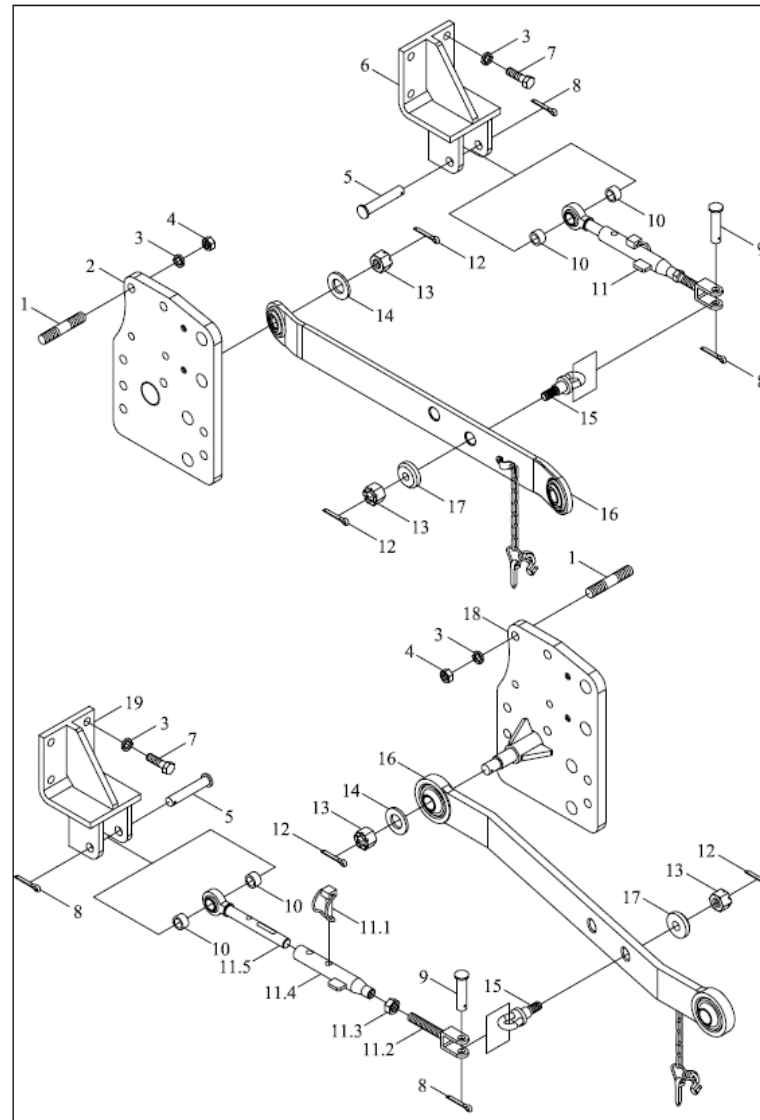
FT500A.56B.001 Suspension mechanism assembly-1



## FT500A.56B.001-1 56.1-悬挂机构总成-1 SUSPENSION MECHANISM ASSEMBLY-1

标号 No.	代号 Code	名称 Description	数量 Quantity	备注 Remark
1	GBT899-AM16-M16X1.5X45-A3L	8.8-A3L STUD	8	2011-11_
10	FT300.56A.103	COVER	4	2011-11_
11	FT300.56A.016a	LIMIT ROD ASSEMBLY	2	2011-11_
11.1	FT300.56A.023	LIMITING ROD LOCK PIN ASSEMBLY	1	2011-11_
11.2	FT300.56A.161	LIMITING ROD ADJUSTING SCREW	1	2011-11_
11.3	GBT6170-M22-A3L	NUT	1	2011-11_
11.4	FT300.56A.022a	EXTENSIBLE GUIDE PIPE WELDMENT	1	2011-11_
11.5	FT300.56A.021a	EXTENSIBLE ROD BALL ASSEMBLY	1	2011-11_
12	GBT91-4X36-A0P	PIN	4	2011-11_
13	GBT6178-M20-A3L	NUT (PAGE81)	4	2011-11_
14	GBT97.1-20-A0P	WASHER	2	
14	GBT97.1-20-A0P	WASHER	2	
15	FT300.56A.110a	LIMITING ROD REAR CONNECTING PIN	2	2011-11_
16	FT500A.56.012	LOWER PULL ROD ASSEMBLY	2	2011-11_
16	FT500A.56.012	LOWER PULL ROD ASSEMBLY	2	2011-11_
17	FT300.56A.111a	ROUND BOARD	2	2011-11_
18	FT300.56B.015	LEFT LOWER PULL ROD SEAT WELDMENT	1	2011-11_
19	FT300.56A.017	LEFT LIMITING ROD BRACKET WELDMENT	1	2011-11_
2	FT300.56B.014	RIGHT LOWER PULL ROD SEAT WELDMENT	1	2011-11_
3	GBT93-16-A0P	SPRING WASHER	16	2011-11_
4	GBT6171-M16X1.5-A3L	NUT	8	2011-11_
5	FT300.56A.102	LIMITING ROD CONNECTING PIN	2	2011-11_
5	FT300.56A.102	LIMITING ROD CONNECTING PIN	2	2011-11_
6	FT300.56A.019	RIGHT LIMITING ROD BRACKET WELDMENT	1	2011-11_
7	GBT5783-M16X40-A3L	BOLT	8	2011-11_

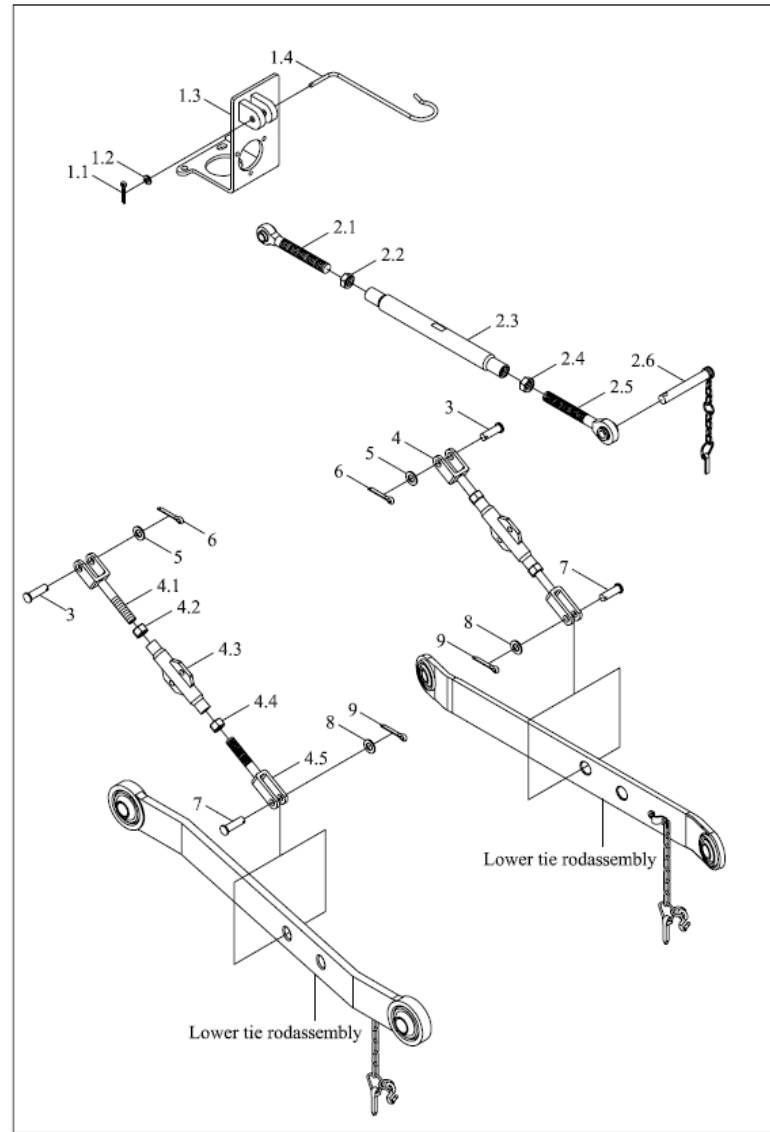
FT500A.56B.001 Suspension mechanism assembly-1



## FT500A.56B.001-1 56.1-悬挂机构总成-1(续)

标号 No.	代号 Code	名称 Description	数量 Quantity	备注 Remark
8	GBT91-5X32-A0P	PIN	4	2011-11_
9	GBT882-B18X55-A0P	PIN	2	2011-11_

FT500A.56B.001 Suspension mechanism assembly-2

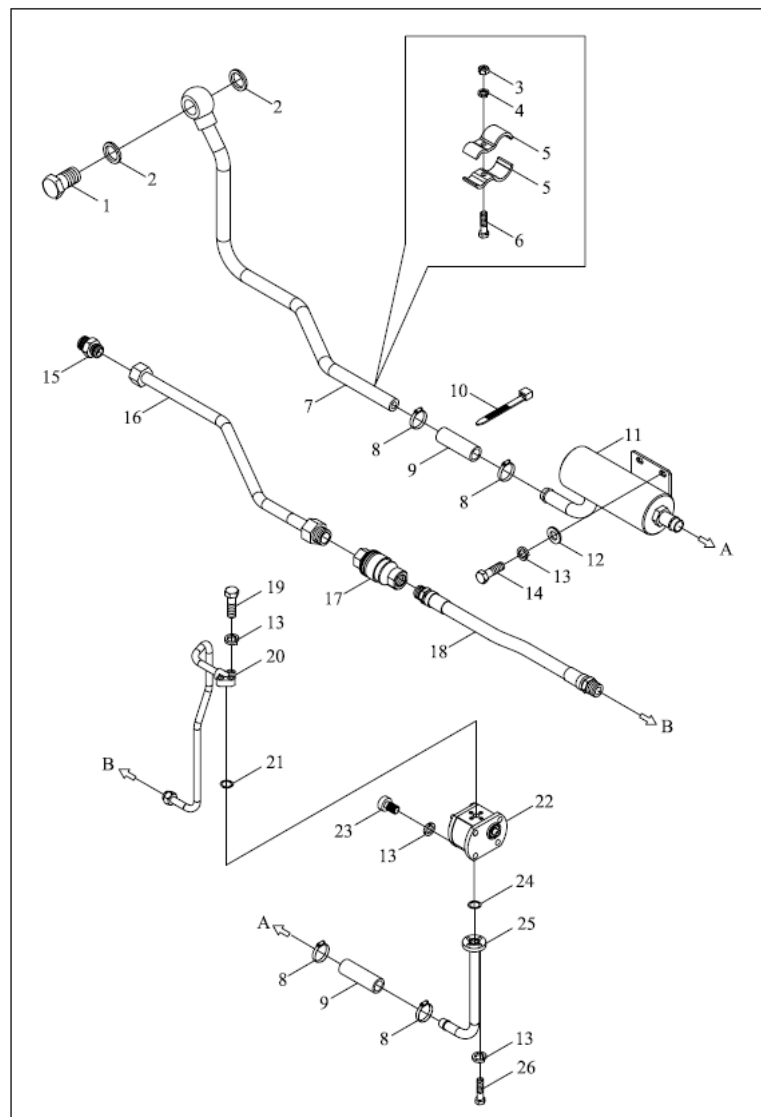




## FT500A.56B.001-2 56.2-悬挂机构总成-2 SUSPENSION MECHANISM ASSEMBLY-2

标号 No.	代号 Code	名称 Description	数量 Quantity	备注 Remark
1.1	GBT91-2X10-A0P	PIN	1	2011-11_
1.2	GBT97.1-6-A0P	WASHER	1	2011-11_
1.3	FT300.56A.020b	SEAT PLATE WELDMENT	1	2009-09_
1.3	FT300.56A.020a	SEAT PLATE WELDMENT	1	2001-01_
1.4	FT300.56A.216	LOCKING CLAMP	1	2011-11_
2.1	FT500A.56.026	UPPER PULL ROD FRONT ADJUSTING ROD ASSEMBLY	1	2011-11_
2.2	GBT6173-M27X2-A3L	NUT	1	2011-11_
2.3	FT500A.56.130	ADJUSTING SOLENOID	1	2011-11_
2.4	GBT6173-M27X2-LH-A3L	NUT	1	2011-11_
2.5	FT500A.56.024	UPPER PULL ROD REAR ADJUSTING ROD ASSEMBLY	1	2011-11_
2.6	FT65.56.015	UPPER PULL ROD LOCK PIN ASSEMBLY	1	2011-11_
3	FT500A.56.101	LIFTING ROD UPPER CONNECTING PIN	2	2011-11_
4.1	FT500A.56.107	LIFTING ROD UPPER CONNECTING FORK	1	2011-11_
4.2	GBT6171-M27X2-Zn.D	NUT	1	2011-11_
4.3	FT500A.56.033	LIFTING ROD SOLENOID WELDMENT	1	2011-11_
4.4	GBT6171-M27×2-A3L	NUT	1	2011-11_
4.5	FT500A.56.108	LIFTING ROD LOWER CONNECTING FORK	1	2011-11_
4.5	FT500A.56.108	LIFTING ROD LOWER CONNECTING FORK	1	2011-11_
5	FT500A.56.118	WASHER	2	2011-11_
6	GBT91-5X40-A0P	PIN	2	2011-11_
7	FT300.56A.112	LIFTING ROD LOWER CONNECTING PIN	2	2011-11_
8	GBT97.1-24-A0P	WASHER		2011-11_
8	GBT97.1-24-A0P	WASHER		2011-11_
9	GBT91-5X32-A0P	PIN	2	2011-11_

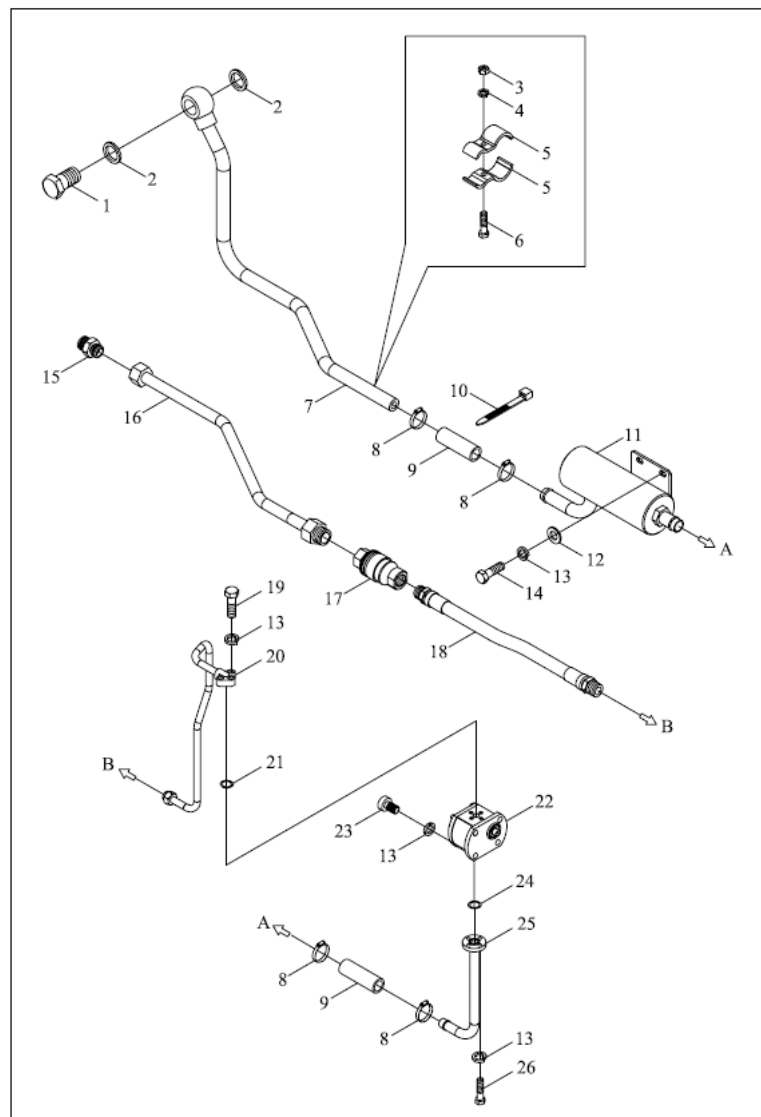
TB400.581C 油泵油管滤油器总成



## TB400.581C 58.1-油泵油管滤油器总成 58.1-OIL PUMP/PIPE/FILTER ASSEMBLY

标号 No.	代号 Code	名称 Description	数量 Quantity	备注 Remark
1	FT300.58.101	HOLLOW BOLT	1	2007-10_
10	Q67407200	PLASTIC FASTEN STRIP	1	2007-10_
11	FT400.58X.040	OIL FILTER ASSEMBLY	1	2007-10_
12	GBT95-8-A0P	WASHER	2	2007-10_
13	GBT93-8-AOP	SPRING WASHER	9	2007-10_
14	GBT5783-M8X16-A2L	BOLT	2	2007-10_
15	FT700.58A.101	JOINT	1	2007-10_
16	TB400.581C.3	PRESSURE OIL PIPE ASSEMBLY	1	2007-10_
16	TB400.581C.3	PRESSURE OIL PIPE ASSEMBLY	1	2007-10_
17	FT354.58A.030	QUICK CHANGING JOINT	1	2007-10_
18	TB400.58A.2	PRESSURE OIL PIPE ASSEMBLY 2	1	2007-10_
19	GBT5783-M8X35-A2L	BOLT	3	2007-10_
2	JBT982-22	COMBINED SEAL GASKET	2	2007-10_
20	TB400.581C.1	PRESSURE OIL PIPE ASSEMBLY 1	1	2007-10_
21	GBT3452.1-15.0X2.65G	O-SEAL RING	1	2007-10_
22	FT304.58L.010	GEAR PUMP	1	2007-10_
23	GBT70.1-M8X35-A2L	SCREW	4	2007-10_
24	GBT3452.1-21.2X1.80G	O-SEAL RING	1	2007-10_
25	FT400.58X.015	OIL SUCTION SHORT PIPE WELDMENT	1	2007-10_
26	GBT5783-M8X25-A2L	BOLT	2	2007-10_
3	GBT6170-M6-A2L	NUT	2	2007-10_
4	GBT93-6-A0P	SPRING WASHER	2	2004-01_
5	FT300.58.013	OIL PIPE CLAMP AND RUBBER WASHER	4	2007-10_
6	GBT5783-M6X30-A2L	BOLT	2	2007-10_
7	FT450.58X.011	OIL SUCTION PIPE WELDMENT	1	2007-10_

TB400.581C 油泵油管滤油器总成



## TB400.581C 58.1-油泵油管滤油器总成(续)

标号 No.	代号 Code	名称 Description	数量 Quantity	备注 Remark
8	Q67632	HOSE HOOP 32	4	2007-10_
9	FT300.58A.104	OIL SUCTION HOSE	2	2004-01_
9	FT450.58.103	OIL SUCTION HOSE	2	2009-09_



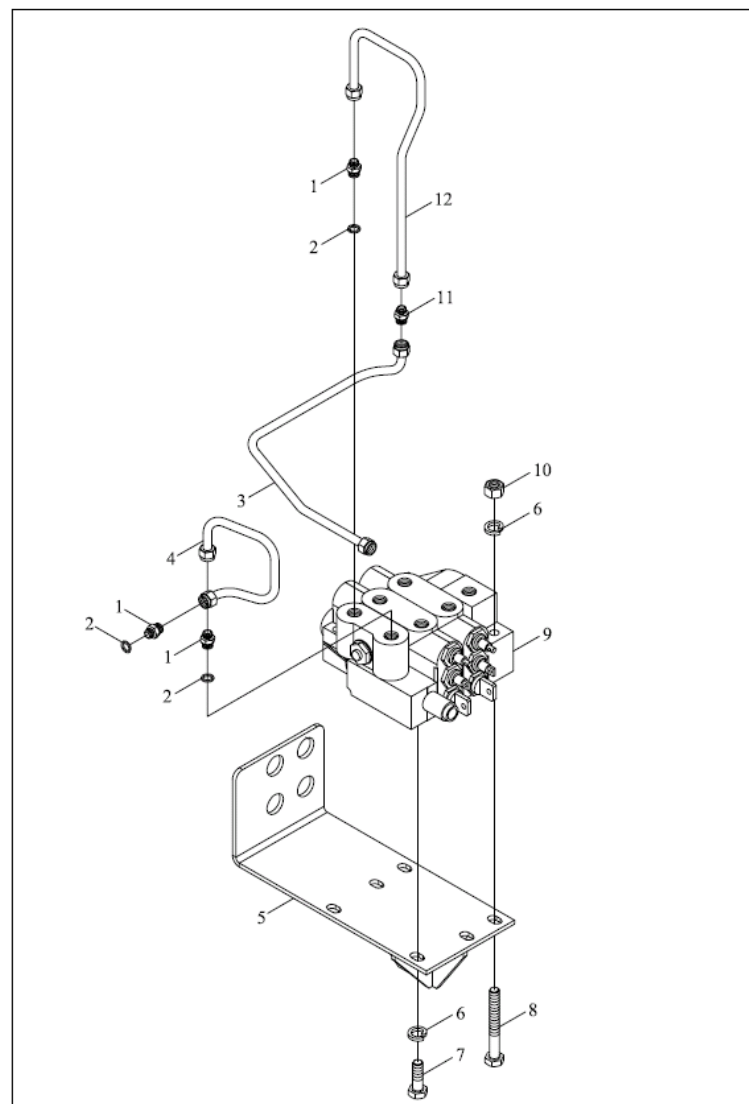
FOTON

福田重工

## TB504.582C 58.2-多路阀操纵机构总成 58.2-MULTI-WAY VALVE CONTROL MECHANISM ASSEMBLY

标号 No.	代号 Code	名称 Description	数量 Quantity	备注 Remark
0	TB504.582C-2	MULTI-WAY VALVE CONTROL MECHANISM ASSEMBLY-2	0	2010-06_
0	TB504.582C-1	MULTI-WAY VALVE CONTROL MECHANISM ASSEMBLY-1	0	2010-06_
0	TB504.582C-1	MULTI-WAY VALVE CONTROL MECHANISM ASSEMBLY-1	0	2010-06_
0	TB504.582C-3	MULTI-WAY VALVE CONTROL MECHANISM ASSEMBLY-3	0	2010-06_
1	FT354.58C.019b	MULTI-WAY VALVE OIL INLET PIPE ASSEMBLY-2	1	2014-06_
1	FT354.58C.015b	MULTI-WAY VALVE OIL OUTPUT PIPE ASSEMBLY-4	1	2014-06_
1	FT354.58C.017a	MULTI-WAY VALVE OIL INLET PIPE ASSEMBLY-1	1	2014-06_
1	FT354.58A.018b	MULTI-WAY VALVE OIL INLET PIPE ASSEMBLY	1	2014-06_
1	TB504.552-04	HANDLE HEAD ASSEMBLY	2	

TB504.582C 多路阀操纵机构总成-1

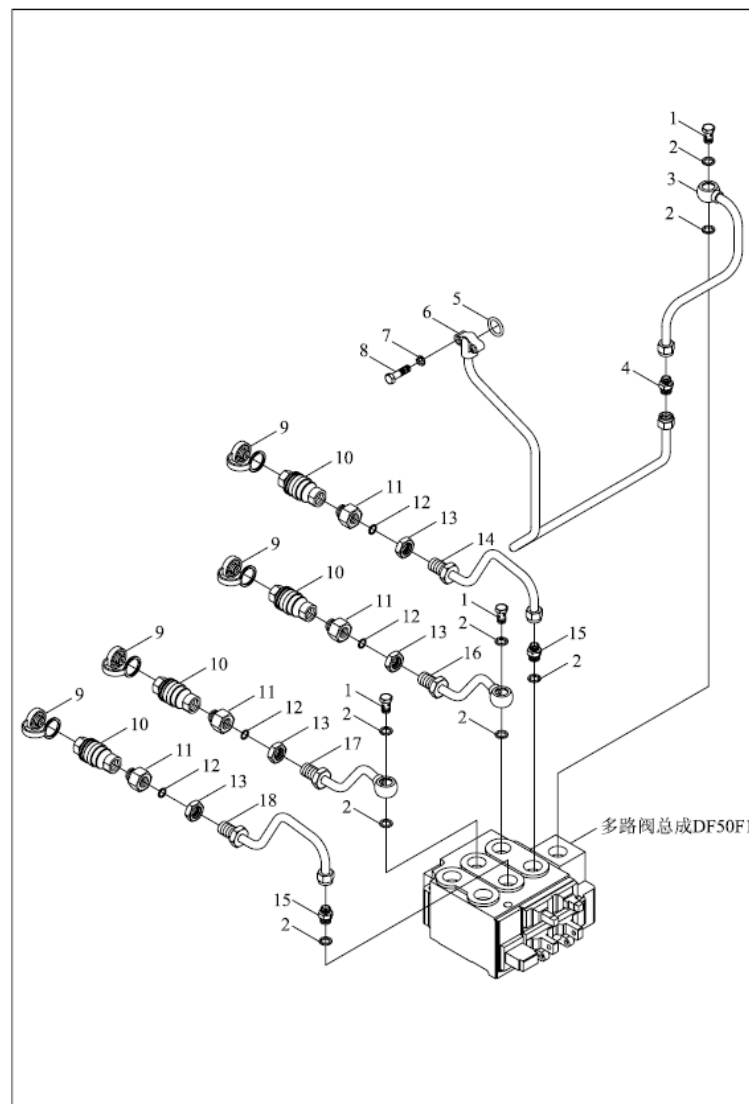




## TB504.582C-1 58.2.1-多路阀操纵机构总成-1 MULTI-WAY VALVE CONTROL MECHANISM ASSEMBLY-1

标号 No.	代号 Code	名称 Description	数量 Quantity	备注 Remark
0	8A5131906	SAFETY VALVE ASSEMBLY	1	2010-06_
1	FT654.58B.102	STRAIGHT THREAD JOINT BODY 1	3	2010-06_
10	GBT6170-M10-A3L	NUT	3	2010-06_
11	FT700.58A.101	JOINT	1	2010-06_
12	FT354.58C.017	MULTI-WAY VALVE OIL INLET PIPE ASSEMBLY-1	1	2010-06_
2	JBT982-22	COMBINED SEAL GASKET	3	2010-06_
3	FT354.58C.019a	MULTI-WAY VALVE OIL INLET PIPE ASSEMBLY-2	1	2010-06_
4	FT354.58C.016a	MULTI-WAY VALVE OIL RETURN PIPE ASSEMBLY	1	2010-06_
5	FT354.58D.015c	MULTI-WAY VALVE BRACKET WELDMENT	1	
6	GBT93-10-A0P	WASHER	4	2010-06_
7	GBT5783-M10X30-A3L	BOLT	1	2010-06_
8	GBT5782-M10X70-A2L	BOLT	3	2010-06_
9	FT654.58B.020	MULTI-WAY VALVE ASSEMBLY	1	2010-06_

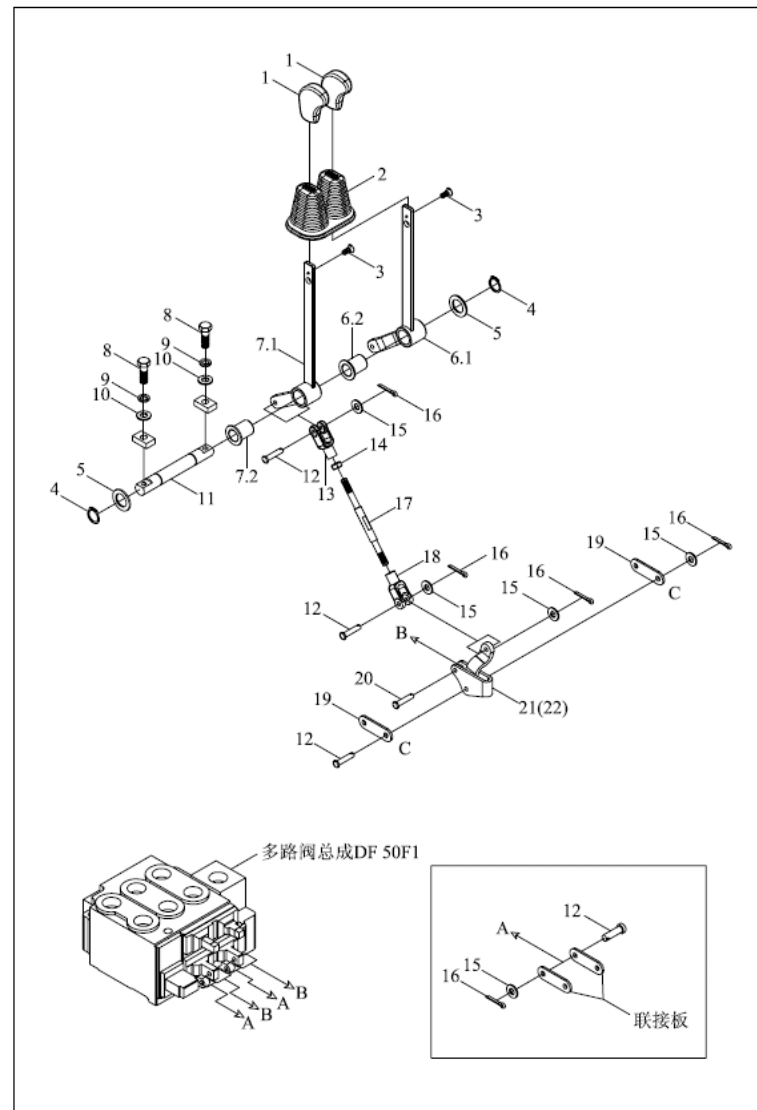
TB504.582C 多路阀操纵机构总成-2



## TB504.582C-2 58.2.2-多路阀操纵机构总成-2 MULTI-WAY VALVE CONTROL MECHANISM ASSEMBLY-2

标号 No.	代号 Code	名称 Description	数量 Quantity	备注 Remark
1	FT654.58.107	HOLLOW BOLT -1	3	2010-06_
10	FT354.58A.030	QUICK CHANGING JOINT	4	2010-06_
11	FT354.58A.104	BRITISH SYSTEM OIL PIPE JOINT	4	2010-06_
12	GBT3452.1-12.5X2.65G	O-SEAL RING	4	2010-06_
13	GBT6173-M22X1.5-A3L	NUT	4	
14	FT354.58A.015c	MULTI-WAY VALVE OIL OUTPUT PIPE ASSEMBLY-4	1	2009-09_
14	FT354.58A.015b	MULTI-WAY VALVE OIL OUTPUT PIPE ASSEMBLY-4	1	2010-06_
15	FT654.58B.102	STRAIGHT THREAD JOINT BODY 1	2	2010-06_
16	FT354.58A.014C	MULTI-WAY VALVE OIL OUTPUT PIPE ASSEMBLY-3	1	
17	FT354.58A.016b	MULTI-WAY VALVE OIL OUTPUT PIPE ASSEMBLY-1	1	
17	FT354.58A.016c	MULTI-WAY VALVE OIL OUTPUT PIPE ASSEMBLY-1	1	2010-06_
18	FT354.58A.017b	MULTI-WAY VALVE OIL OUTPUT PIPE ASSEMBLY-2	1	2010-06_
18	FT354.58A.017c	MULTI-WAY VALVE OIL OUTPUT PIPE ASSEMBLY-2	1	2009-09_
18	FT354.58A.017c	MULTI-WAY VALVE OIL OUTPUT PIPE ASSEMBLY-2	1	2009-09_
2	JBT982-22	COMBINED SEAL GASKET	8	2010-06_
3	FT354.58C.015a	MULTI-WAY VALVE OIL OUTPUT PIPE ASSEMBLY-1	1	2010-06_
4	FT700.58A.101	JOINT	1	2010-06_
5	GBT3452.1-15.0X2.65G	O-SEAL RING	1	2010-06_
6	FT354.58A.018a	MULTI-WAY VALVE OIL OUTPUT PIPE ASSEMBLY-2	1	2012-02_
6	FT454.58X.011a	MULTI-WAY VALVE OIL OUTPUT PIPE ASSEMBLY	1	2010-06_
7	GBT93-8-A0P	WASHER	2	2010-06_
8	GBT5783-M8X30-A2L	BOLT	2	2010-06_
9	FT354.58A.103	DUSTPROOF COVER	4	2010-06_

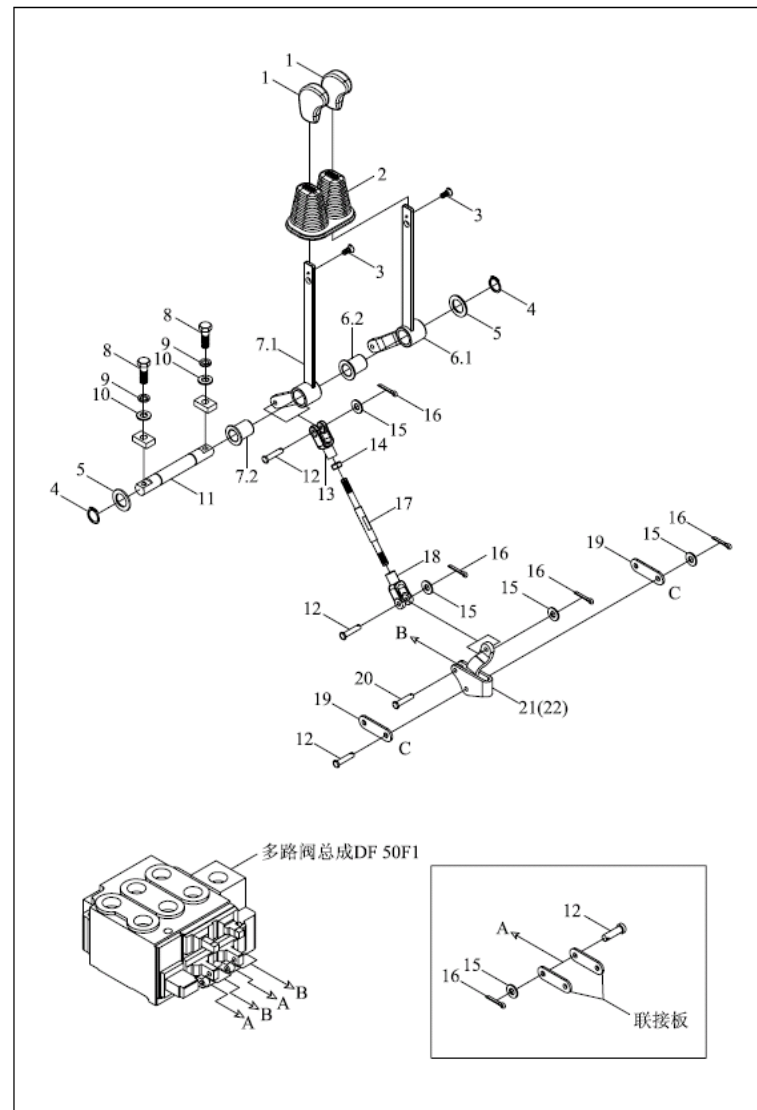
TB504.582C 多路阀操纵机构总成-3



## TB504.582C-3 58.2.3-多路阀操纵机构总成-3 MULTI-WAY VALVE CONTROL MECHANISM ASSEMBLY-3

标号 No.	代号 Code	名称 Description	数量 Quantity	备注 Remark
1	TB604.582G-01	HANDLE HEAD	2	2012-12_
1	TB504.552-04	HANDLE HEAD ASSEMBLY	2	
10	GBT97.1-8-A0P	WASHER	2	2010-06_
11	TB504.552A-01	ROTATING SHAFT	1	2010-06_
12	GBT882-B6X28	PIN	8	
13	FT804A.58L.133	RIGHT REVOLVING PULL ROD FORK	2	2010-06_
14	GBT6170-M8-A2L	NUT	2	2010-06_
15	GBT97.1-6-A0P	WASHER	10	2010-06_
16	GBT91-2X12-A0P	PIN	10	2010-06_
17	TB504.582A-01	SCREW	2	2010-06_
18	FT804A.58L.136	LEFT REVOLVING PULL ROD FORK	2	2010-06_
19	FT654.58.103	CONNECTING PLATE	4	2010-06_
2	TB504.552A-02	DUST COVER	1	2004-01_
2	TB504.552A-02a	DUST COVER	1	2011-09_
20	GBT882-B6X22	PIN	2	2010-06_
21	TB504.582A.1	CONNECTING PLATE WELDMENT	1	2010-06_
22	TB504.582A.2	CONNECTING PLATE WELDMENT	1	2010-06_
3	GBT68-M4X10-A2L		2	2010-06_
4	GBT894.1-18	RETAINER RING	2	2010-06_
5	TB504.552A-03	NYLON WASHER	2	2010-06_
6	TB504.582A.4	MULTI-WAY VALVE CONTROL ROD PRESSURE UNIT2	1	2004-01_
6	TB504.582H.4a	MULTI-WAY VALVE CONTROL ROD PRESSURE UNIT2	1	2011-09_
6	TB504.582H.4	MULTI-WAY VALVE CONTROL ROD PRESSURE UNIT2	1	2010-02_
6.1	TB504.582A.4.1	MULTI-WAY VALVE CONTROL ROD WELDMENT	1	2010-06_
6.2	TB504.582A.1-01	NYLON SPACER BUSH	1	2011-11_

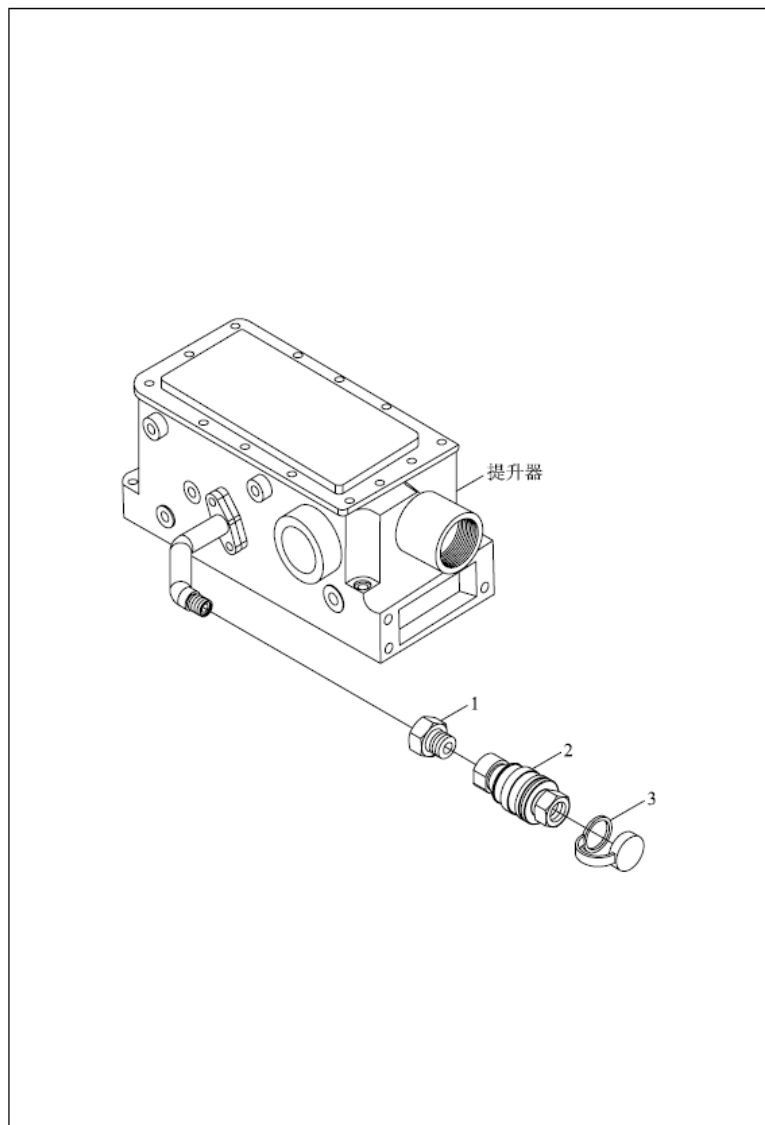
TB504.582C 多路阀操纵机构总成-3



## TB504.582C-3 58.2.3-多路阀操纵机构总成-3(续)

标号 No.	代号 Code	名称 Description	数量 Quantity	备注 Remark
7	TB504.582H.3	MULTI-WAY VALVE CONTROL ROD PRESSURE UNIT 1	1	2010-02_
7	TB504.582A.3	MULTI-WAY VALVE CONTROL ROD PRESSURE UNIT2	1	2004-01_
7	TB504.582H.3a	MULTI-WAY VALVE CONTROL ROD PRESSURE UNIT 1	1	2011-09_
7.1	TB504.582A.3.1	MULTI-WAY VALVE CONTROL ROD WELDMENT	1	2010-06_
7.2	TB504.582A.1-01	NYLON SPACER BUSH	1	2010-06_
8	GBT5783-M8X35-A2L	BOLT	2	
9	GBT93-8-A0P	WASHER	2	2010-06_

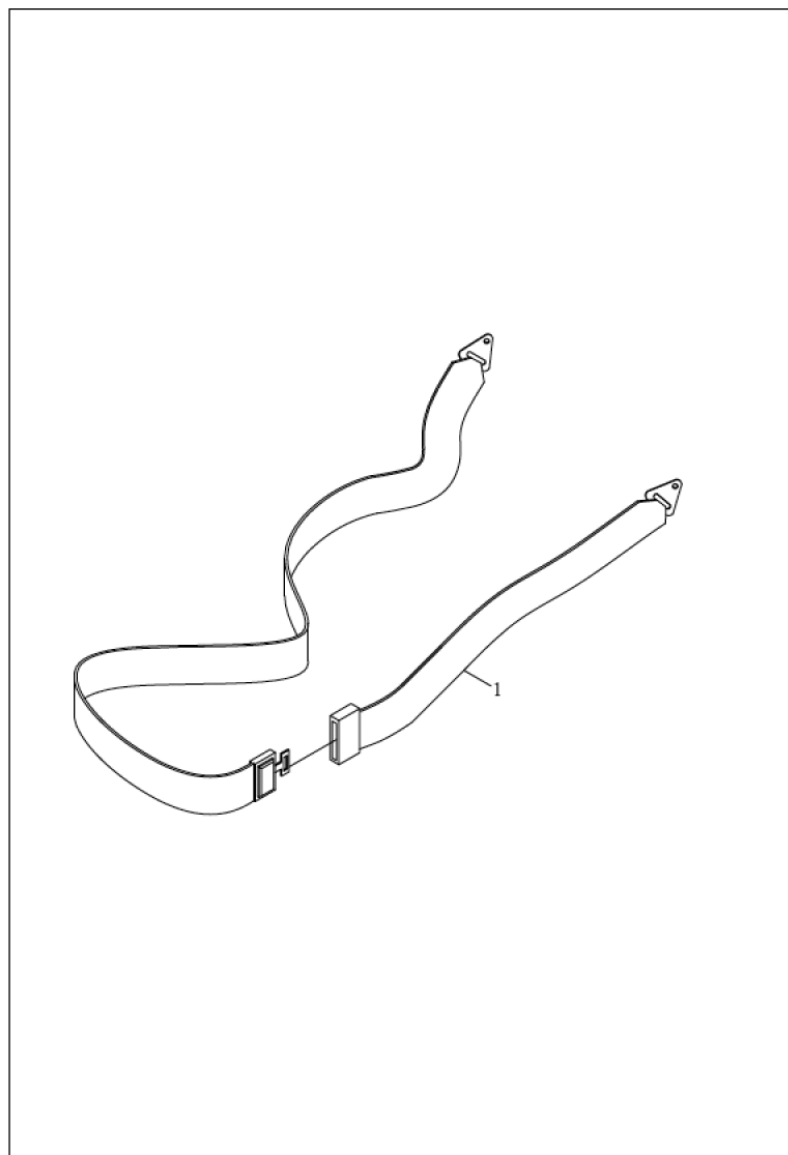
TB300.583ASingle-circuit hydraulic pressure output assembly2





## TB300.583A 58.3-单路液压输出总成2 58.3-SINGLE-WAY HYDRAULIC OUTPUT ASSEMBLY 2

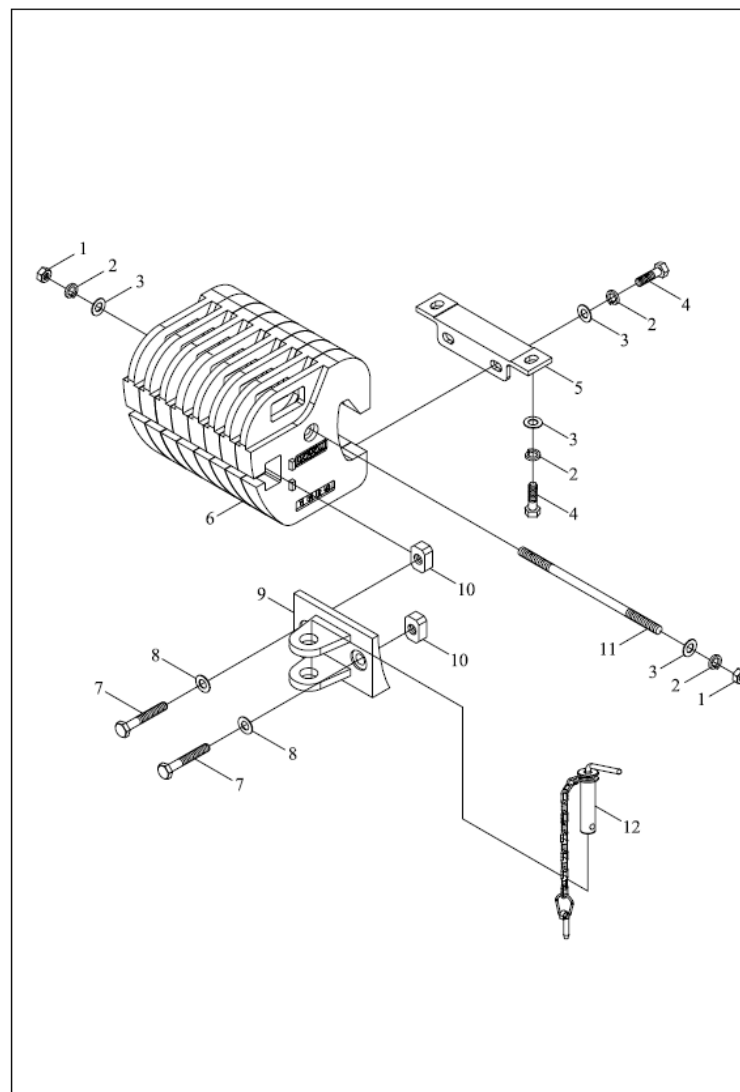
标号 No.	代号 Code	名称 Description	数量 Quantity	备注 Remark
1	FT354.58A.104	BRITISH SYSTEM OIL PIPE JOINT	1	2011-11_
2	FT354.58A.030	QUICK CHANGING JOINT	1	2011-11_
3	FT354.58A.103	DUSTPROOF COVER	1	2011-11_



## TA600.62ZC 62-安全带 62-SAFETY BELT

标号 No.	代号 Code	名称 Description	数量 Quantity	备注 Remark
1	TA600.62	SAFETY BELT INSTALLATION ASSEMBLY	1	2012-01_

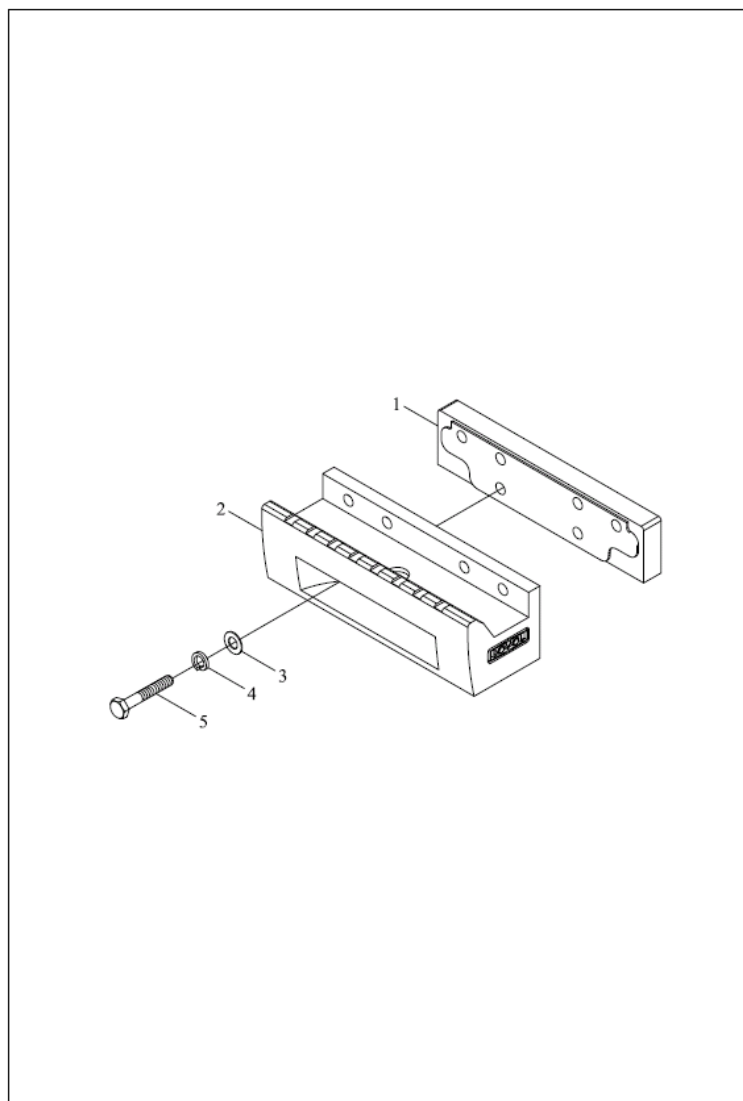
TB404.74A 前配重总成



## TB404.74A 74-前配重总成 74-FRONT BALLAST ASSEMBLY

标号 No.	代号 Code	名称 Description	数量 Quantity	备注 Remark
1	GBT6170-M16-A3L	NUT	2	2011-11_
10	FT650.74.108	TOWING NUT	2	2011-11_
11	FT404.74A.108	CONNECTING BOLT	1	2011-11_
12	TB400.74A.2	TOWING PIN AND LOCK PIN ASSEMBLY	1	2011-11_
2	GBT93-16-A0P	SPRING WASHER	6	2011-11_
3	GBT97.1-16-A0P	WASHER	6	2011-11_
4	GBT5783-M16X35-A3L	BOLT	4	2011-11_
5	TB400.74A-03	FIXING BRACKET	1	2011-11_
6	TB404.74A.1	FRONT BALLAST ASSEMBLY	1	2012-04_
6.1	TB400.74A-01	BALLAST	8	
6.1	TB400.74A-01	BALLAST	8	
7	GBT5785-M20X1.5X80-8.8-A3L	BOLT	2	
8	GBT97.1-20-A0P	WASHER	2	2011-11_
8	GBT97.1-20-A0P	WASHER	2	2011-11_
9	TB400.74A-04	TOWING LUG	1	2011-11_

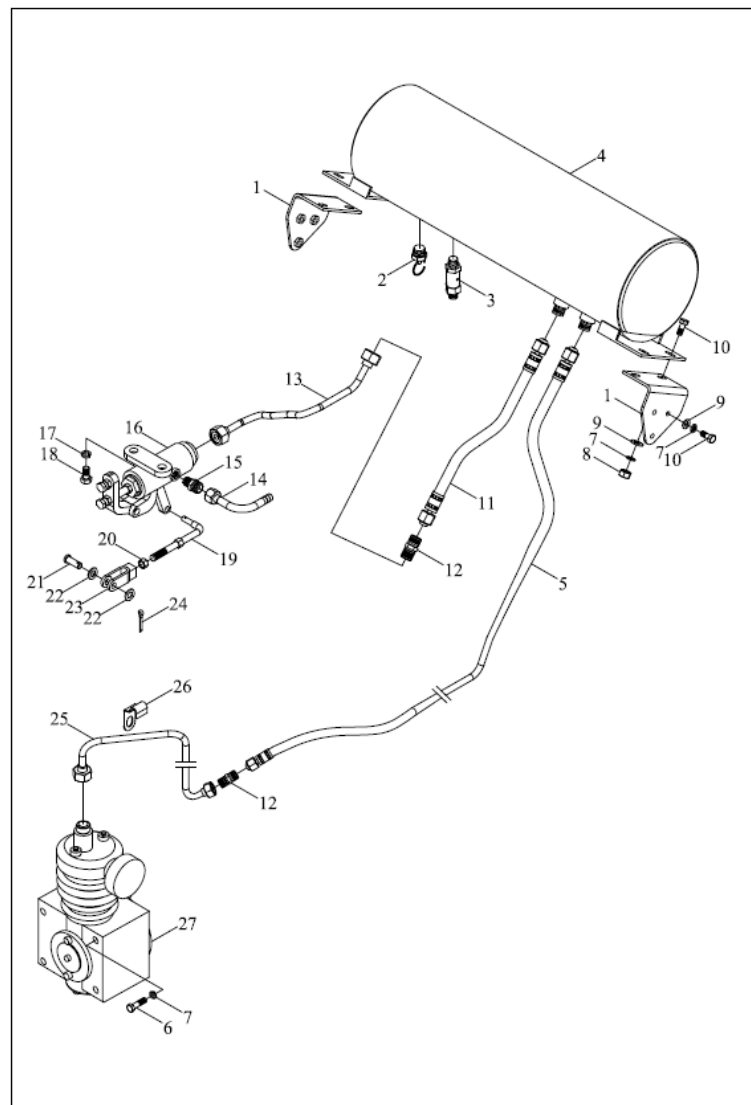
TB400.74B 前配重架总成



## TB400.74B 74-前配重架总成 74-FRONT BALLAST BRACKET ASSEMBLY

标号 No.	代号 Code	名称 Description	数量 Quantity	备注 Remark
1	FT300.74B.102	FRONT BALLAST BRACKET MAT BLOCK	1	2011-11_
2	TB400.74B-01	BALLAST BRACKET	1	2011-11_
3	GBT97.1-16-A0P	WASHER	6	2011-11_
4	GBT93-16-A0P	SPRING WASHER	6	2011-11_
5	GBT5780-M16X90-A2L	BOLT	6	2011-11_

TB400.80 气制动装配总成

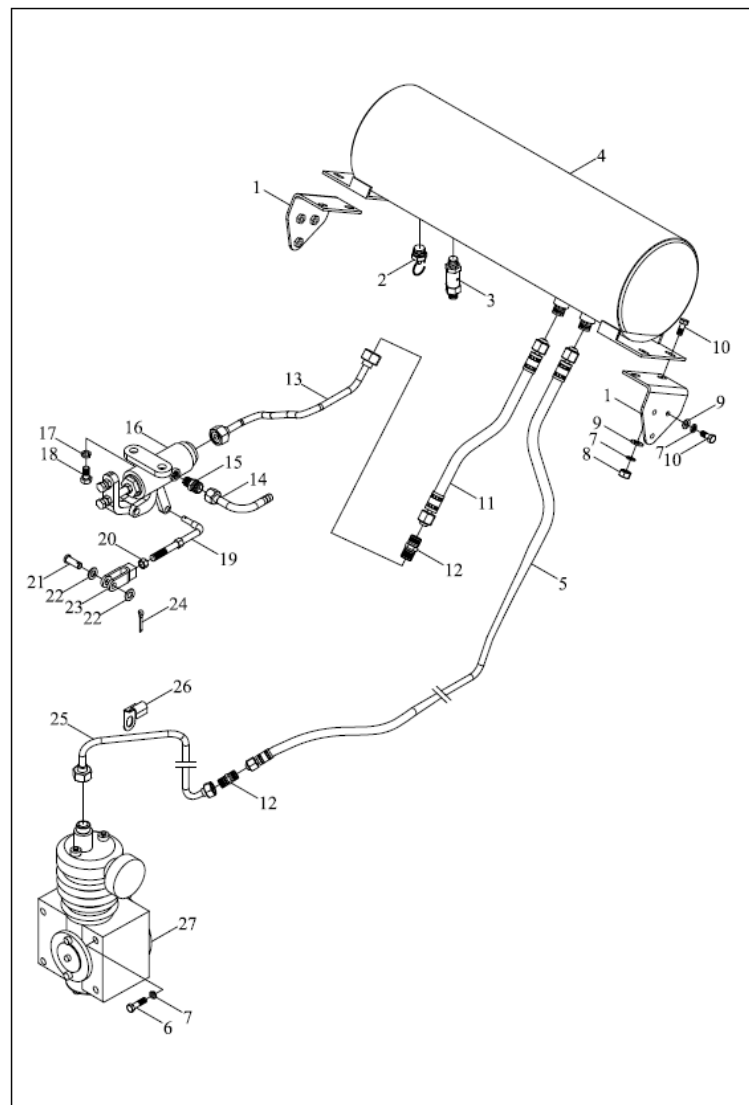




## TB400.80 80-气制动装配总成 80-PNEUMATIC BRAKE INSTALLATION ASSEMBLY

标号 No.	代号 Code	名称 Description	数量 Quantity	备注 Remark
1	TB400.80.2	FIXING BRACKET WELDMENT	2	2011-11_
10	GBT5783-M8X20-A2L	BOLT	10	2011-11_
11	FT300.80.037	PNEUMATIC BRAKE HOSE COMBINATION	1	2011-11_
12	FT300.80.103	STRAIGHT PIPE JOINT	2	2011-11_
13	FT300.80.016	AIR OUTLET PIPE ASSEMBLY	1	2011-11_
14	FT300.80.013	AIR CONVEYING PIPE ASSEMBLY	1	2011-11_
15	FT300.80.104	EXHAUST PIPE JOINT	1	2011-11_
16	FT300.80.011	PNEUMATIC BRAKE VALVE ASSEMBLY	1	2011-11_
17	GBT93-10-A2L	WASHER	2	2011-11_
18	GBT5783-M10X20-A2L	BOLT	2	
19	FT300.80.014	ADJUSTING PULL ROD UNIT	1	2011-11_
2	FT300.80.033	DRAIN VALVE ASSEMBLY	1	2011-11_
20	GBT6170-M10-A2L	NUT	1	2011-11_
21	GBT882-10X28-A2L	PIN	1	2011-11_
22	GBT848-10-A2L	WASHER	2	2011-11_
23	FT300.80.105	ADJUSTING FORK	1	2011-11_
24	GBT91-3.2X16-A2L	PIN	1	2011-11_
25	FT400.80N.015	AIR COMPRESSOR OUTLET PIPE ASSEMBLY	1	2011-11_
26	FT300.80.101a	PIPE CLAMP	2	2011-11_
27	FT300.80.018	AIR COMPRESSOR	1	2011-11_
28	TB450.801A.1	FIXING BRACKET WELDMENT	1	
3	FT300.80.034	SAFETY VALVE ASSEMBLY	1	2011-11_
4	TB400.80.1	AIR HOLDER WELDMENT ASSEMBLY	1	2011-11_
5	FT400.80A.038	AIR COMPRESSOR OUTLET HOSE UNIT	1	2011-11_
6	GBT5783-M8X90-A2L	BOLT	4	2011-11_

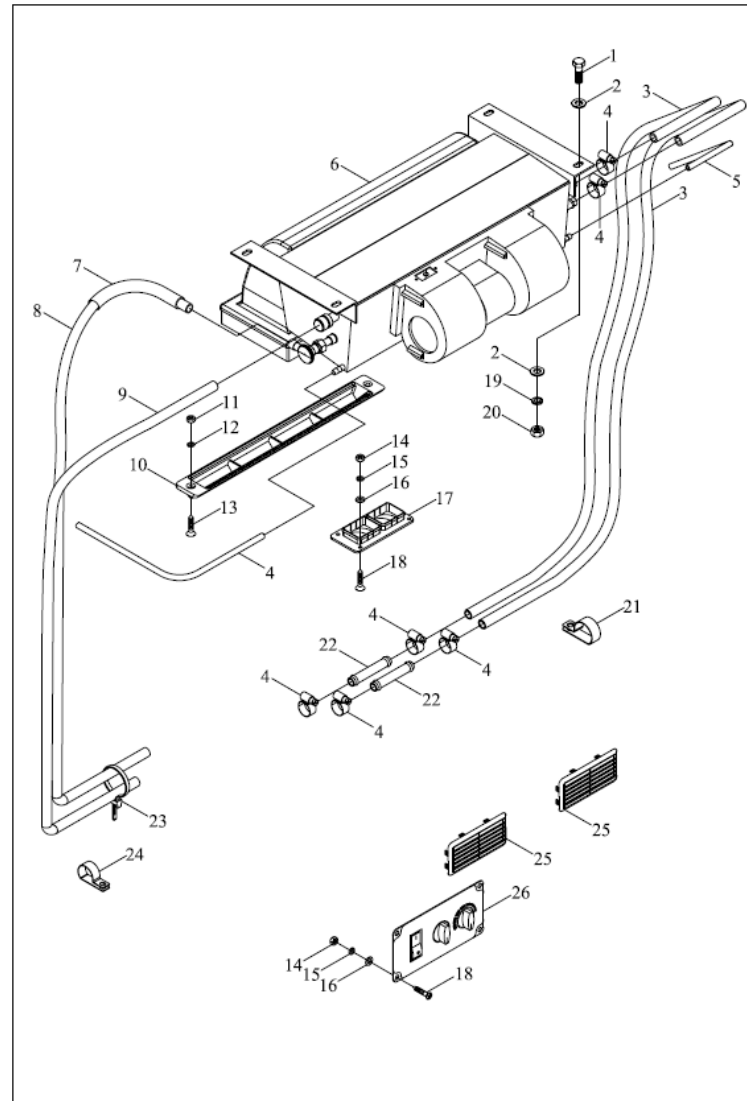
TB400.80 气制动装配总成



## TB400.80 80-气制动装配总成(续)

标号 No.	代号 Code	名称 Description	数量 Quantity	备注 Remark
7	GBT93-8-A2L	WASHER	17	
8	GBT6170-M8-Zn.D	NUT	4	2011-11_
9	GBT97.1-8	WASHER	10	2011-11_

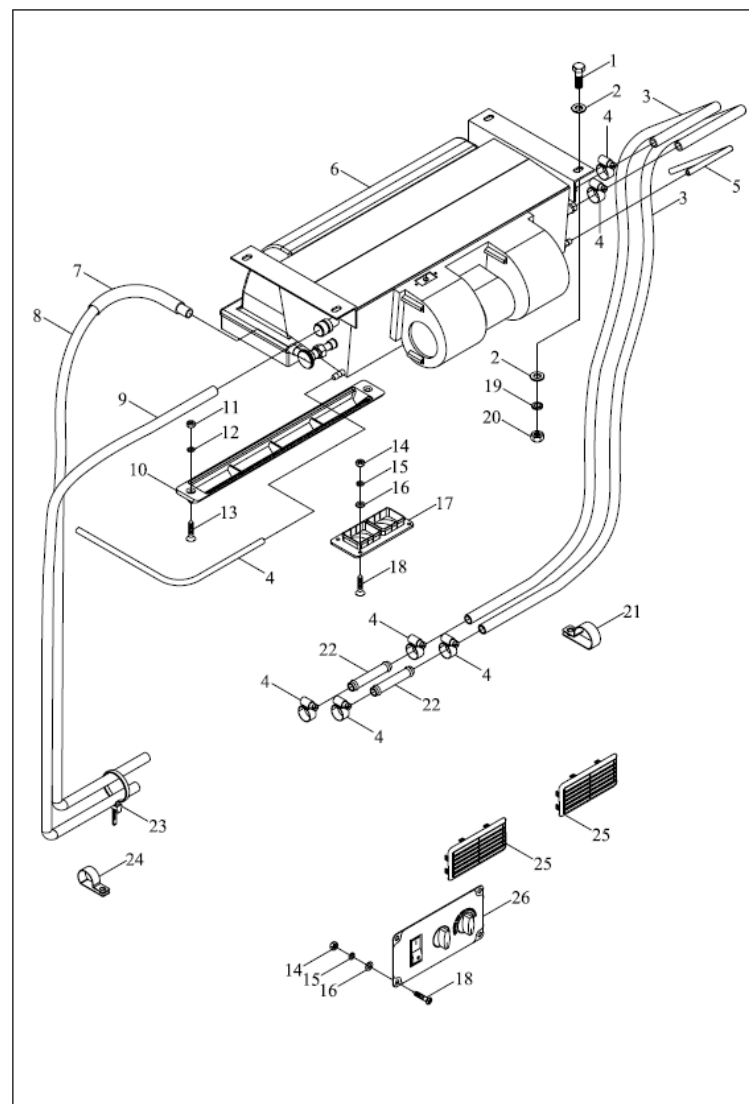
TB400.811 蒸发器安装总成



## TB400.811 81.1-蒸发器安装总成 81.1-EVAPORATOR INSTALLATION ASSEMBLY

标号 No.	代号 Code	名称 Description	数量 Quantity	备注 Remark
1	GBT5783-M8X25-A2L	BOLT	4	2011-11_
10	TB400.811-01	DEFROST WIND MOUTH	2	2011-11_
11	GBT6170-M4-A2L	NUT	4	2011-11_
11	GBT6170-M4-A2L	NUT	4	2011-11_
12	GBT93-4-A0P	WASHER	4	2011-11_
13	GBT818-M4X20-A2L	SCREW	4	2011-11_
14	GBT6170-M5-A2L	NUT	12	2011-11_
15	GBT93-5-A0P	WASHER	12	2011-11_
16	GBT97.1-5-A0P	WASHER	16	2011-11_
17	TG1204.81.7	WIND OUTPUT GATE	2	2011-11_
18	GBT818-M5X20-A2L	SCREW	12	2011-11_
19	GBT93-8-A0P	WASHER	4	2011-11_
2	GBT97.1-8-A0P	WASHER	8	2011-11_
20	GBT6170-M8-A2L	NUT	4	2011-11_
21	TD800.485A-03	LOCKING CLAMP	3	2011-11_
22	TG1654.811-03	TRANSITION COPPER PIPE	2	2011-11_
23	Q67407200	PLASTIC FASTEN STRIP	2	2011-11_
24	TD800.811A-03	PIPE CLAMP	1	2011-11_
25	TG1204.81.6	WIND RETURN MOUTH	2	2011-11_
25	TG1204.81.6	WIND RETURN MOUTH	2	2011-11_
26	FT800.45.084	CONTROL PANEL	1	2011-11_
26	FT800.45.084	CONTROL PANEL	1	2011-11_
3	TG1654.811-04	HEATER PIPE	2	2011-11_
4	Q676B25	C-TYPE WORM TRANSMISSION HOSE CLAMP	6	2011-11_
4	Q676B25	C-TYPE WORM TRANSMISSION HOSE CLAMP	6	2011-11_

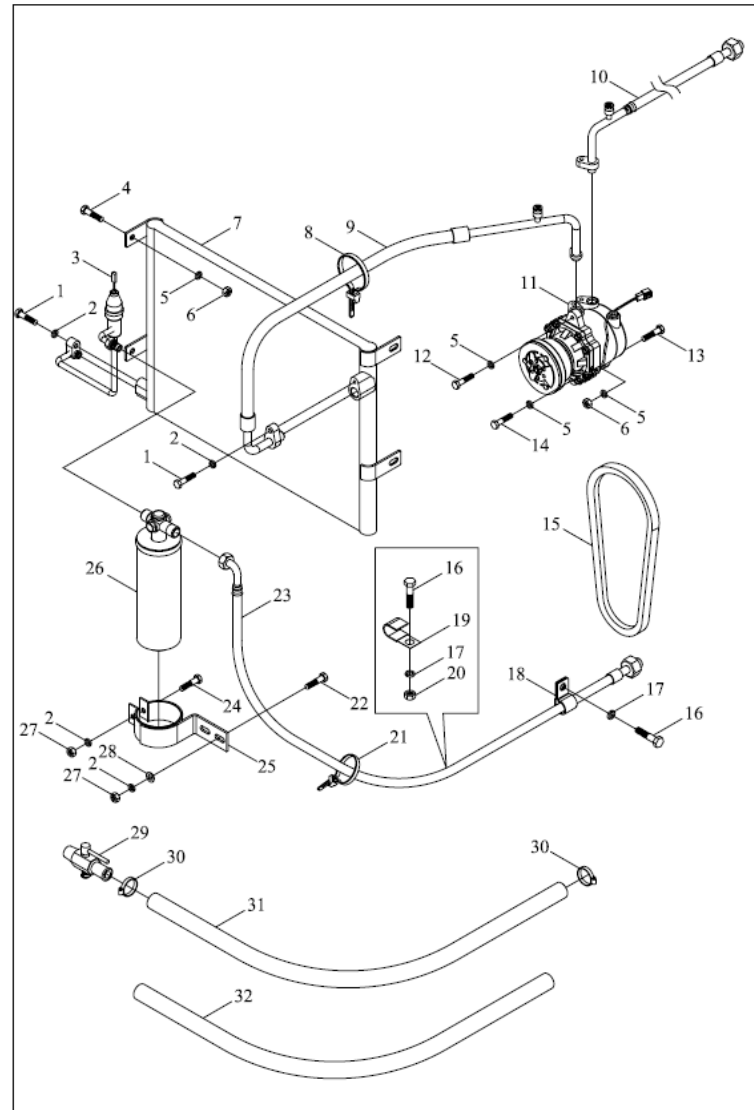
TB400.811 蒸发器安装总成



## TB400.811 81.1-蒸发器安装总成(续)

标号 No.	代号 Code	名称 Description	数量 Quantity	备注 Remark
5	TD800.811-07	DRAIN PIPE	2	2011-11_
6	TB400.811.1	EVAPORATOR	1	2011-11_
7	TB400.811-02	SEPARATE TEMPERATURE PIPE	1	2011-11_
8	TD800.811D-01	INLET PIPE	1	2011-11_
9	TD800.811D-02	OUTPUT PIPE	1	2011-11_

TB400.812 冷凝器安装总成

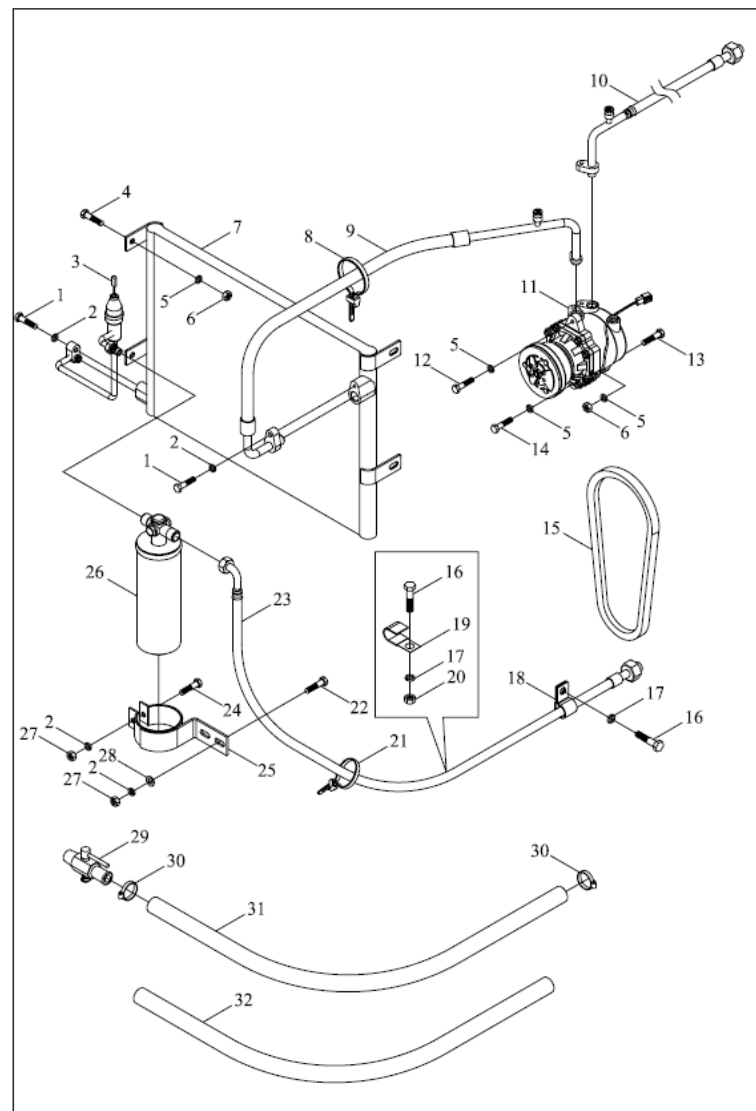




## TB400.812 81.2-冷凝器安装总成 81.2-CONDENSER INSTALLATION ASSEMBLY

标号 No.	代号 Code	名称 Description	数量 Quantity	备注 Remark
1	GBT5783-M6X25-A2L	BOLT	2	2011-11_
1	GBT5783-M6X25-A2L	BOLT	2	2011-11_
10	TB400.812.6	AIR RETURN PIPE OF COMPRESSOR	1	2011-11_
11	TB400.812.1	COMPRESSOR	1	2011-11_
12	GBT5783-M8X30-A2L	BOLT	1	2011-11_
13	GBT5783-M8X35-A2L	BOLT	1	
14	GBT5783-M8X25-A2L	BOLT	1	2011-11_
15	GBT1171-Z880	V BELT	1	
16	GBT5783-M10X20-A3L	BOLT	4	2011-11_
17	GBT93-10-A0P	WASHER	4	2011-11_
18	TB400.812-01	PIPE CLAMP	3	2011-11_
19	FT300.48.203	HARNESS TIGHTEN CLIP	1	2011-11_
2	GBT93-6-A0P	SPRING WASHER	5	2011-11_
20	GBT6170-M10-A3L	NUT	1	2011-11_
21	Q67407200	PLASTIC FASTEN STRIP	10	2011-11_
22	GBT5783-M6x16-A2L	BOLT	2	2011-11_
23	TD800.812D-01	LIQUID STORAGE TANK-EVAPORATOR HOSE	1	
23	TB400.812.8	LIQUID STORAGE TANK-EVAPORATOR HOSE	1	2010-04_
24	GBT5783-M6X35-A3L	BOLT	1	
25	TB400.812.4	DRYING BOTTLE BRACKET	1	2011-11_
25	TB400.812.4	DRYING BOTTLE BRACKET	1	2011-11_
26	TD800.812B.3.1	LIQUID STORAGE TANK	1	2011-11_
27	GBT6170-M6-A2L	NUT	3	2011-11_
28	GBT97.1-6-A0P	WASHER	2	2011-11_
29	TB400.81.1	HEATER WATER INLET VALVE	1	2011-11_

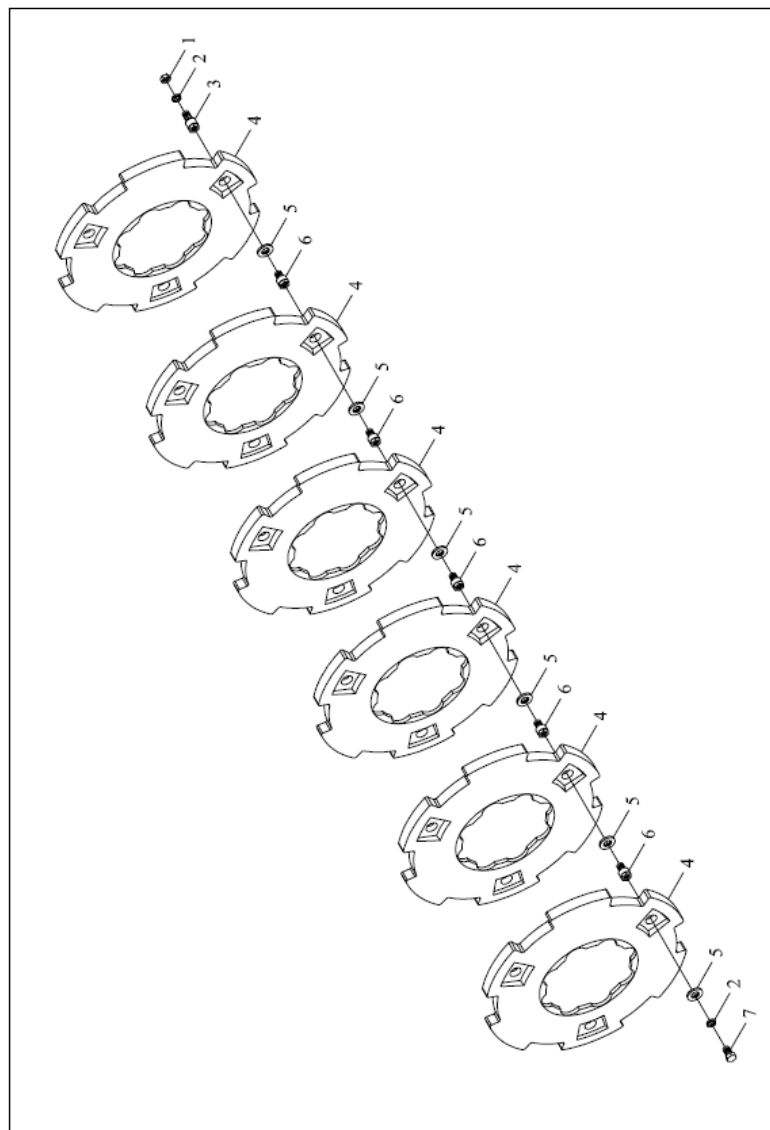
TB400.812 冷凝器安装总成



## TB400.812 81.2-冷凝器安装总成(续)

标号 No.	代号 Code	名称 Description	数量 Quantity	备注 Remark
3	TB400.812.3	HARD PIPE FROM CONDENSER TO DRYING BOTTLE	1	2011-11_
30	Q676B25	C-TYPE WORM TRANSMISSION HOSE CLAMP	2	2011-11_
30	Q676B25	C-TYPE WORM TRANSMISSION HOSE CLAMP	2	2011-11_
31	TF1004.81A-03	AIR CONDITION WATER INLET PIPE	1	
32	TA700.81-05	AIR CONDITION WATER OUTPUT PIPE	1	
4	GBT5783-M8X20-A2L	BOLT	2	2011-11_
5	GBT93-8-A0P	WASHER	7	2011-11_
6	GBT6170-M8-A2L	NUT	3	2011-11_
7	TB400.812.2	CONDENSER	1	2011-11_
8	Q67407400	PLASTIC FASTEN STRIP	3	
9	TB400.812.5	HOSE FROM COMPRESSOR TO CONDENSER	1	2011-11_

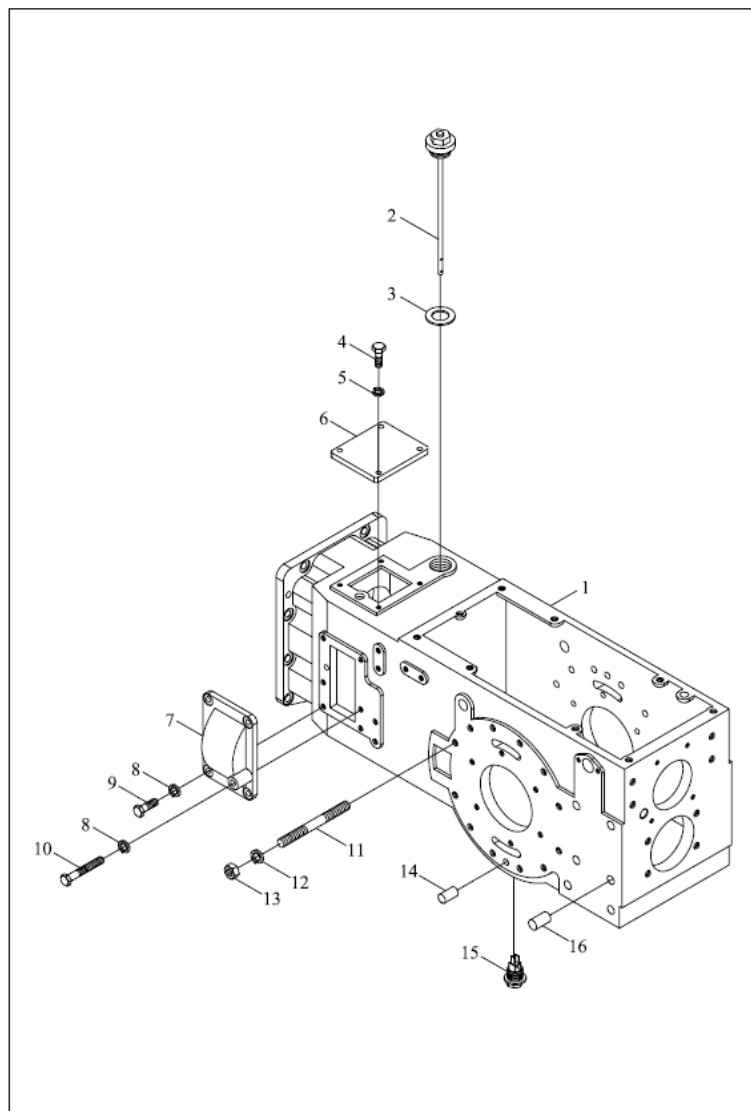
TB400.91Rear balance weight assembly



## TB400.91 91-后配重总成 91-REAR BALLAST ASSEMBLY

标号 No.	代号 Code	名称 Description	数量 Quantity	备注 Remark
1	GBT6171-M16X1.5-A3L	NUT	3	2011-11_
2	GBT93-16-A0P	SPRING WASHER	6	2011-11_
3	TB400.91-02	REAR BALLAST SCREW I	3	2011-11_
4	TB400.91-01	REAR BALLAST	6	2011-11_
5	TB400.91-04	WASHER	18	2004-01_
5	FT650.34.104	WASHER	18	2009-09_
6	TB400.91-03	REAR BALLAST SCREW II	15	2011-11_
6	TB400.91-03	REAR BALLAST SCREW II	15	2011-11_
7	TB400.91-05	BOLT	3	2011-11_

TB504.384 后桥壳体总成



## TB504.384 后桥壳体总成 REAR AXLE HOUSING ASSEMBLY

标号 No.	代号 Code	名称 Description	数量 Quantity	备注 Remark
1	FT300.38J.101a	REAR AXLE HOUSING	1	2011-11_
10	GBT5782-M10X60-A3L	BOLT	1	2004-01_
11	GBT899-AM12-M12X1.25X150-8.8-A1L	8.8-A3L STUD	24	
11	GBT899-AM12-M12X1.25X160-8.8-A1L	8.8-A3L STUD	2	2010-03_
12	GBT93-12-A0P	SPRING WASHER	24	2011-11_
13	GBT6171-M12X1.25-10-A3L	NUT	24	2004-01_
14	GBT119.1-12m6X28	PIN	2	2004-01_
15	FT65.38.026	Oil Plug assembly	1	2011-11_
15	FT65.38.026	Oil Plug assembly	1	2011-11_
16	TB554.384-02	PIN	4	2011-11_
2	FT300.38.016a	REFUELING AND AIRING PLUG ASSEMBLY	1	2011-11_
3	JBT982-36	COMBINED SEAL GASKET	1	2011-11_
4	GBT5783-M8X20-A2L	BOLT	4	2011-11_
5	GBT93-8-A0P	WASHER	4	2011-11_
6	FT300.38J.124	UPPER COVER	1	2011-11_
7	FT300.38J.206	REVERSE SIDE COVER	1	2011-11_
8	GBT93-10-A0P	WASHER	6	2011-11_
9	GBT5783-10X25-A3L	BOLT	5	2011-11_

