



福田零部件图册
(TB504-X361Y6C)

福田雷沃重工国际贸易有限公司

目录 CONTENTS

序号 No.	代码 Code	名称 Description		页次 Page
1	A498BT1-6A-1	10.1-机体总成及附件-1	BODY ASSEMBLY AND ACCESSORY-1	1
2	A498BT1-6A-10	10.10-燃油供油系统-10	FUEL SUPPLY SYSTEM ASSEMBLY-10	7
3	A498BT1-6A-11	10.11-机油滤清器总成起动机及充电发		9
4	A498BT1-6A-2	10.2-气缸盖及配气机构	CYLINDER HEAD AND GAS EXCHANGING SYSTEM	11
5	A498BT1-6A-3	10.3-油底壳-3	OIL SUMP ASSEMBLY-3	19
6	A498BT1-6A-4	10.4-活塞连杆总成-4	PISTON CONNECTING ROD ASSEMBLY-4	21
7	A498BT1-6A-5	10.5-曲轴飞轮总成-5	CRANKSHAFT FLYWHEEL ASSEMBLY-5	23
8	A498BT1-6A-6	10.6-正时齿轮传动系总成-6	TIMING GEAR TRAIN ASSEMBLY-6	25
9	A498BT1-6A-7	10.7-气缸盖罩总成	CYLINDER HEAD COVER ASSEMBLY-7	29
10	A498BT1-6A-8	10.8-机油泵机油管路总成-8	OIL PUMP AND OIL PIPE ASSEMBLY-8	31
11	A498BT1-6A-9	10.9-冷却水泵风扇部件-9	COOLING WATER PUMP AND FAN ASSEMBLY-9	35
12	TB400.11	11-空气滤清系总成	11-AIR CLEANER ASSEMBLY	39
13	TB500.13Y	13-冷却系总成	13-COOLING SYSTEM ASSEMBLY	41
14	TB500.133A	13.3-防护网安装总成	13.3-GUARD NET INSTALLATION ASSEMBLY	43
15	TB400.201F	20.1-手油门总成	20.1-HAND THROTTLE ASSEMBLY	45
16	TB400.202G	20.2-脚油门总成	20.2-FOOT THROTTLE ASSEMBLY	47
17	TB400.203D	20.3-拉线总成	20.3-PULL WIRE ASSEMBLY	49
18	TB504.212	21.2-离合器操纵机构总成	21.2-CLUTCH CONTROL MECHANISM ASSEMBLY	51
19	TB600.22B	22-排气系总成	22-EXHAUST SYSTEM ASSEMBLY	53
20	TB400.22E	22-排气系总成	22-EXHAUST SYSTEM ASSEMBLY	55
21	TC02311020000-1	31.1-前驱动桥总成	31.1-FRONT DRIVING AXLE ASSEMBLY	57
22	TB504.311-1	31.1.1-前驱动桥总成-1	FRONT DRIVING AXLE ASSEMBLY-1	59
23	TB504.311-2	31.1.2-前驱动桥总成-2	FRONT DRIVING AXLE ASSEMBLY-2	61
24	TB504.311-3	31.1.3-前驱动桥总成-3	FRONT DRIVING AXLE ASSEMBLY-3	65
25	TB504.311-4	31.1.4-前驱动桥总成-4	FRONT DRIVING AXLE ASSEMBLY-4	69

目录 CONTENTS

序号 No.	代码 Code	名称 Description		页次 Page
26	TB504.311-5	31.1.5-前驱动桥总成-5	FRONT DRIVING AXLE ASSEMBLY-5	73
27	TB504.311-6	31.1.6-前驱动桥总成-6	FRONT DRIVING AXLE ASSEMBLY-6	77
28	TB554.312	31.2-前托架总成	31.2-FRONT BRACKET ASSEMBLY	79
29	TC02311020000-2	31.2-前驱动桥总成	FRONT DRIVING AXLE ASSEMBLY	81
30	TC02311020000-3	31.3-前驱动桥总成	FRONT DRIVING AXLE ASSEMBLY	83
31	TC02311020000-4	31.4-前驱动桥总成	FRONT DRIVING AXLE ASSEMBLY	85
32	TC02311020000-5	31.5-前驱动桥总成	FRONT DRIVING AXLE ASSEMBLY	87
33	TC02311020000-6	31.6-前驱动桥总成	FRONT DRIVING AXLE ASSEMBLY	89
34	FT404.32F.001	32-前驱动轮总成	32-FRONT DRIVING WHEEL ASSEMBLY	91
35	FT404.34F.001	34-后驱动轮总成	34-REAR DRIVE WHEEL ASSEMBLY	93
36	TB400.35	35-总牵引机构总成	35-MAIN TRACTION MECHANISM ASSEMBLY	95
37	TB400.371B	37.1-变速箱壳体总成	37.1-GEARBOX HOUSING ASSEMBLY	97
38	TB400.372D-1	37.2.1-主变速总成-1	MAIN TRANSMISSION ASSEMBLY-1	99
39	TB400.372D-2	37.2.2-主变速总成-2	MAIN TRANSMISSION ASSEMBLY-2	103
40	TB450.373B	37.3-副变速总成	37.3-AUXILIARY GEARSHIFT ASSEMBLY	105
41	TB450.374G-1	37.4.1-变速箱操纵机构总成-1	37.4TRANSMISSION CONTROL MECHANISM	107
42	TB450.374B-1	37.4.1变速箱操纵机构总成-1	37.4TRANSMISSION CONTROL MECHANISM	109
43	TB450.374G-2	37.4.2-变速箱操纵机构总成-2	37.4TRANSMISSION CONTROL MECHANISM	111
44	TB450.374B-2	37.4.2变速箱操纵机构总成-2	GEARBOX CONTROL MECHANISM ASSEMBLY-2	115
45	TB554.381	38.1-梭式换挡总成	38.1-SHUTTLE SHIFT ASSEMBLY	119
46	TB504.382-1	38.2.1-后桥中央传动总成-1	REAR AXLE CENTRAL TRANSMISSION ASSEMBLY-1	121
47	TB504.382-2	38.2.2-后桥中央传动总成-2	REAR AXLE CENTRAL TRANSMISSION ASSEMBLY-2	123
48	TB554.383A	38.3-差速锁操纵机构总成	38.3-DIFFERENTIAL LOCK CONTROL MECHANISM	125
49	TB504.384	38.4-后桥壳体总成	38.4-REAR AXLE HOUSING ASSEMBLY	127
50	TB554.385	38.5-梭式换挡机构总成	38.5-SHUTTLE SHIFT MECHANISM ASSEMBLY	129

目录 CONTENTS

序号 No.	代码 Code	名称 Description		页次 Page
51	FT300.39.001-1	39.1-最终传动总成-1	39FINAL TRANSMISSION ASSEMBLY -1	133
52	FT300.39.001-2	39.2-最终传动总成-2	39FINAL TRANSMISSION ASSEMBLY -2	137
53	TB504.402B-1	40.1-全液压转向管路总成-1	FULL HYDRAULIC STEERING PIPE ASSEMBLY-1	141
54	TB504.401B	40.1-转向器及转向管柱总成	40.1-REDIRECTOR OR STEERING COLUMN ASSEMBLY	145
55	TB504.402J	40.2-全液压转向总成	40.2-FULLY HYDRAULIC STEERING ASSEMBLY	147
56	TB504.402B-2	40.2-全液压转向管路总成-2	FULL HYDRAULIC STEERING PIPE ASSEMBLY-2	149
57	TB400.411D	41.1-动力输出齿轮总成	41.1-PTO GEAR ASSEMBLY	151
58	TB550.412A	41.2-动力输出轴总成	41.2-PTO SHAFT ASSEMBLY	155
59	TB550.413D	41.3-动力输出操纵总成	41.3-PTO CONTROL ASSEMBLY	157
60	TB554.421C	42.1-分动箱箱体总成	42.1-TRANSFER CASE HOUSING ASSEMBLY	161
61	TB454.422	42.2-分动箱传动总成	42.2-TRANSFER CASE TRANSMISSION ASSEMBLY	165
62	TB554.423C	42.3-分动箱操纵总成	42.3-TRANSFER CASE CONTROL ASSEMBLY	167
63	TB604.431D	43.1-左制动器总成	43.1-LEFT BRAKE ASSEMBLY	169
64	TB504.431	43.1-左制动器总成	43.1-LEFT BRAKE ASSEMBLY	171
65	TB504.432	43.2-右制动器总成	43.2-RIGHT BRAKE ASSEMBLY	173
66	TB504.433-1	43.3.1-制动器操纵机构总成-1	BRAKE CONTROL MECHANISM ASSEMBLY-1	175
67	TB504.433-2	43.3.2-制动器操纵机构总成-2	BRAKE CONTROL MECHANISM ASSEMBLY-2	177
68	TB400.44F	44-座椅安装总成	44SEAT INSTALLATION ASSEMBLY	181
69	TB600.45T-2	45-驾驶室总成-2	DRIVER' S CAB ASSEMBLY-2	183
70	TB600.45T-3	45-驾驶室总成-3	DRIVER' S CAB ASSEMBLY-3	185
71	TB600.45T-4	45-驾驶室总成-4	DRIVER' S CAB ASSEMBLY-4	189
72	TB600.45T-5	45-驾驶室总成-5	DRIVER' S CAB ASSEMBLY-5	193
73	TB600.45T-6	45-驾驶室总成-6	DRIVER' S CAB ASSEMBLY-6	197
74	TB600.45T-1	45.1-驾驶室总成-1	45CAB ASSEMBLY-1	199
75	TB550.452V-1	45.2.1-地板总成-1	FLOOR ASSEMBLY-1	201

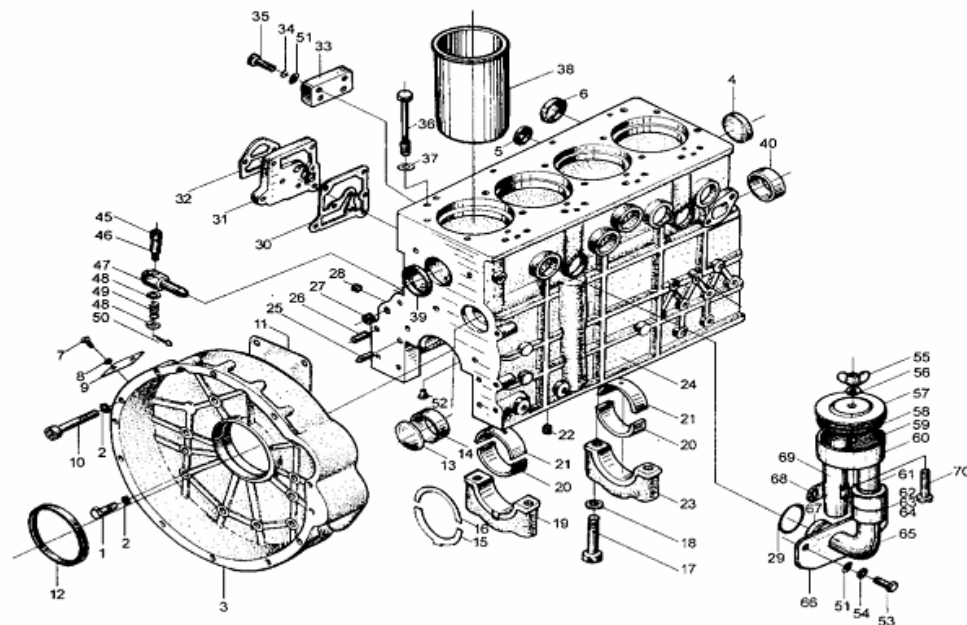
目录 CONTENTS

序号 No.	代码 Code	名称 Description		页次 Page
76	TB550.452V-2	45.2.2-地板总成-2	FLOOR ASSEMBLY-2	203
77	TB400.457B	45.7-前连接总成	45.7-FRONT CONNECTING ASSEMBLY	207
78	TB400.458B	45.8-后连接总成	45.8-REAR CONNECTING ASSEMBLY	209
79	TB400B.471	47.1-机罩装配总成	47.1-BONNET INSTALLATION ASSEMBLY	211
80	TB400B.473	47.3-机罩锁紧装置总成	47.3-BONNET LOCKING DEVICE ASSEMBLY	213
81	TB400.475A	47.5-左前挡泥板总成	47.5-LEFT FRONT MUD GUARD ASSEMBLY	215
82	TB400.476A	47.6-右前挡泥板总成	47.6-RIGHT FRONT MUD GUARD ASSEMBLY	219
83	TB550.477E	47.7-机罩加长板总成	47.7-BONNET EXTENSION PLATE ASSEMBLY	223
84	TB450.481H	48.1-发动机线束安装总成	48.1-ENGINE HARNESS INSTALLATION ASSEMBLY	225
85	TB450.482H	48.2-车身线束安装总成	48.2-BODY HARNESS INSTALLATION ASSEMBLY	227
86	TB450.483B	48.3-前灯线束安装总成	48.3-FRONT LAMP HARNESS INSTALLATION	229
87	TB500.484M	48.4-后灯线束安装总成	48.4-REAR LAMP HARNESS INSTALLATION ASSEMBLY	231
88	TB450.485A	48.5-蓄电池安装总成	48.5-BATTERY INSTALLATION ASSEMBLY	233
89	TB400.487	48.7-组合仪表总成	48.7-COMBINED INSTRUMENT ASSEMBLY	235
90	TB450.489	48.9-预热装置总成	48.9-PREHEATING EQUIPMENT ASSEMBLY	237
91	FT300.49.001	49-工具箱总成	49-TOOL BOX ASSEMBLY	239
92	TB400.49	49-工具箱总成	49-TOOL BOX ASSEMBLY	241
93	TB550.50F	50-燃油箱装配总成	50-FUEL TANK INSTALLATION assembly	243
94	TB400.53B	53-拖挂装置总成	53-TOW EQUIPMENT ASSEMBLY	247
95	TB504.551A	55.1-提升器装配总成	55.1-LIFTER INSTALLATION ASSEMBLY	249
96	TB504.551A-1	55.1-提升器装配总成-1	LIFTER INSTALLATION ASSEMBLY-7-1	251
97	TB504.552C	55.2-提升器操纵机构总成	55.2-LIFTER CONTROL MECHANISM ASSEMBLY	255
98	TB504.551A-2	55.2-提升器装配总成-2	LIFTER INSTALLATION ASSEMBLY-7-2	259
99	TB504.551A-3	55.3-提升器装配总成-3	LIFTER INSTALLATION ASSEMBLY-7-3	261
100	TB504.551A-4	55.4-提升器装配总成-4	LIFTER INSTALLATION ASSEMBLY-4	265

目录 CONTENTS

序号 No.	代码 Code	名称 Description		页次 Page
101	TB504.551A-5	55.5-提升器装配总成-5	LIFTER INSTALLATION ASSEMBLY-5	267
102	TB504.551A-6	55.6-提升器装配总成-6	LIFT ASSEMBLY-6	271
103	TB504.551A-7	55.7-提升器装配总成-7	LIFT ASSEMBLY-7	273
104	FT500A.56B.001-1	56.1-悬挂机构总成-1	SUSPENSION MECHANISM ASSEMBLY-1	277
105	FT500A.56B.001-2	56.2-悬挂机构总成-2	SUSPENSION MECHANISM ASSEMBLY-2	281
106	TB400.581C	58.1-油泵油管滤油器总成	58.1-OIL PUMP/PIPE/FILTER ASSEMBLY	283
107	TB504.582C	58.2-多路阀操纵机构总成	58.2-MULTI-WAY VALVE CONTROL MECHANISM	287
108	TB504.582C-1	58.2.1-多路阀操纵机构总成-1	MULTI-WAY VALVE CONTROL MECHANISM	289
109	TB504.582C-2	58.2.2-多路阀操纵机构总成-2	MULTI-WAY VALVE CONTROL MECHANISM	291
110	TB504.582C-3	58.2.3-多路阀操纵机构总成-3	MULTI-WAY VALVE CONTROL MECHANISM	293
111	TB300.583A	58.3-单路液压输出总成2	58.3-SINGLE-WAY HYDRAULIC OUTPUT ASSEMBLY 2	297
112	TB400.74A	74-前配重总成	74-FRONT BALLAST ASSEMBLY	299
113	TB404.74A	74-前配重总成	74-FRONT BALLAST ASSEMBLY	301
114	TB400.74B	74-前配重架总成	74-FRONT BALLAST BRACKET ASSEMBLY	303
115	TB400.80	80-气制动装配总成	80-PNEUMATIC BRAKE INSTALLATION ASSEMBLY	305
116	TB400.81	81-暖风机安装总成	81-HEATER INSTALLATION ASSEMBLY	309
117	FT300.91.001	91-后配重总成	91-REAR BALLAST ASSEMBLY	311

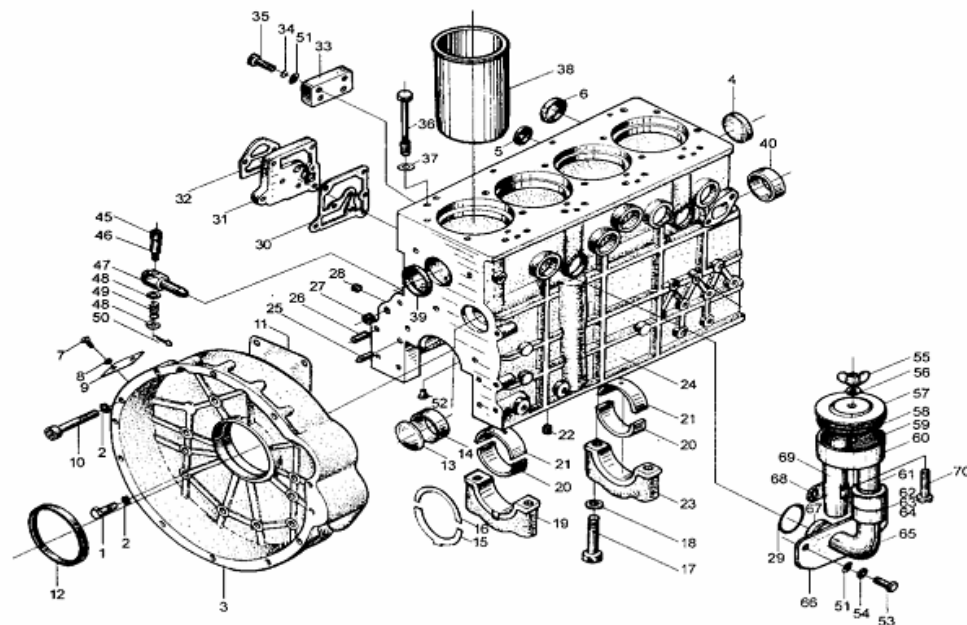
机体总成及附件 Body assembly and accessory



A498BT1-6A-1 10.1-机体总成及附件-1 BODY ASSEMBLY AND ACCESSORY-1

标号 No.	代号 Code	名称 Description		数量 Quantity	备注 Remark
1	GBT5783-M12X32	六角头螺栓	BOLT	4	2011-11_
1	GBT5783-M12X32	六角头螺栓	BOLT	4	2011-11_
10	GBT70-M12X90	内六角圆柱头螺钉	SCREW	2	2011-11_
11	490BT-13004	飞轮壳垫片	FLYWHEEL HOUSING GASKET	1	2011-11_
12	100X125X12	油封王	OIL SEAL	1	2011-11_
13	490B-01009	堵塞 58	PLUG 58	1	
14	495B-01008A	后凸轮轴衬套	REAR CAMSHAFT BUSH	1	2011-11_
15.16	495B-01022A/01026A	止推片	THRUST SHIM	2	
17	A498B-01019A	主轴承螺栓	MAIN BEARING BOLT	10	
18	490B-01018	主轴承螺栓垫圈	MAIN BEARING BOLT WASHER	10	2011-11_
19	A498B-01023	后主轴承盖	REAR MAIN BEARING COVER	1	2011-11_
2	GBT93-12	垫圈	WASHER	8	2011-11_
20.21	495B-01033A/01034A	主轴瓦总成	MAIN BEARING	4	
22	490B-01027	堵塞	PLUG	1	2011-11_
23	A498B-01032	主轴承盖	MAIN BEARING COVER	4	2011-11_
24	A498B-01001	机体	BLOCK	1	2011-11_
24	A498B-01001	机体	BLOCK	1	2011-11_
25	GBT119.2-B8X20	圆柱销	PIN	2	2011-11_
26	GBT119.2-B10X25	圆柱销	PIN	2	2011-11_
27	490B-01080	碗形塞片 15	PLUG 15	2	
28	490B-01029	螺塞 R1/8	PLUG R1/8	6	
29	490B-34009	O型密封圈	O RING	1	2011-11_
3	490BT-13001	飞轮壳	Flywheel Housing	1	2011-11_
30	490B-01071	机油滤座垫片	OIL FILTER GASKET	1	2011-11_
31	490B-01072	机油滤座垫板	OIL FILTER BACK PLATE	1	2011-11_

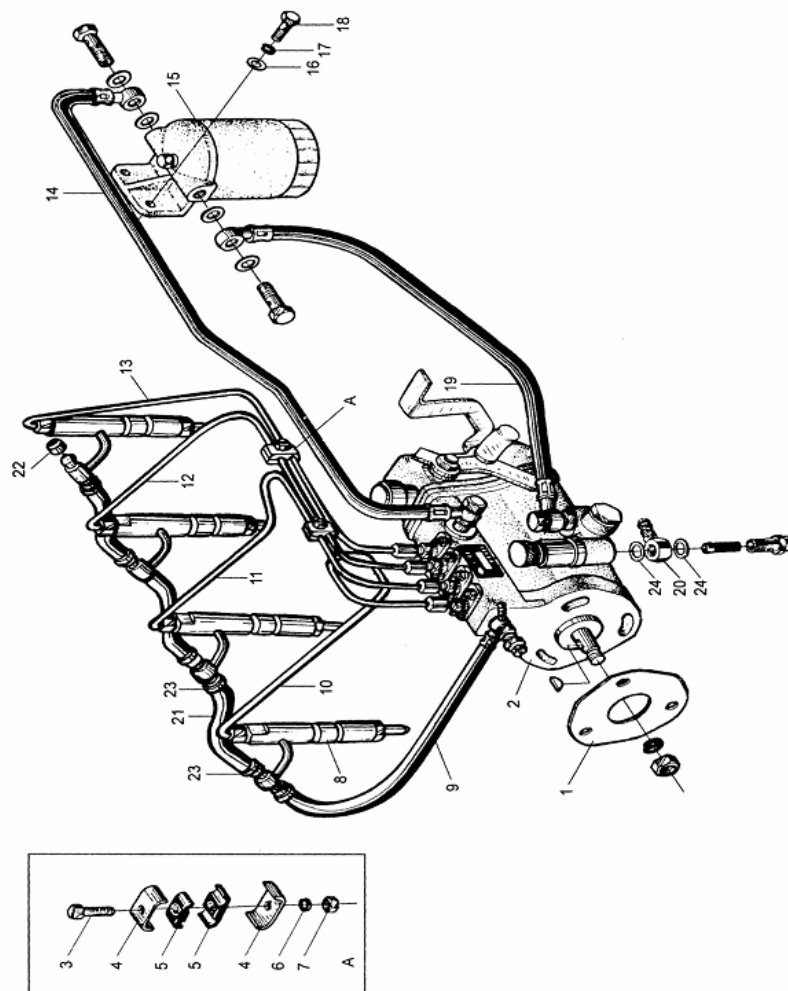
机体总成及附件 Body assembly and accessory



A498BT1-6A-1 10.1-机体总成及附件-1(续)

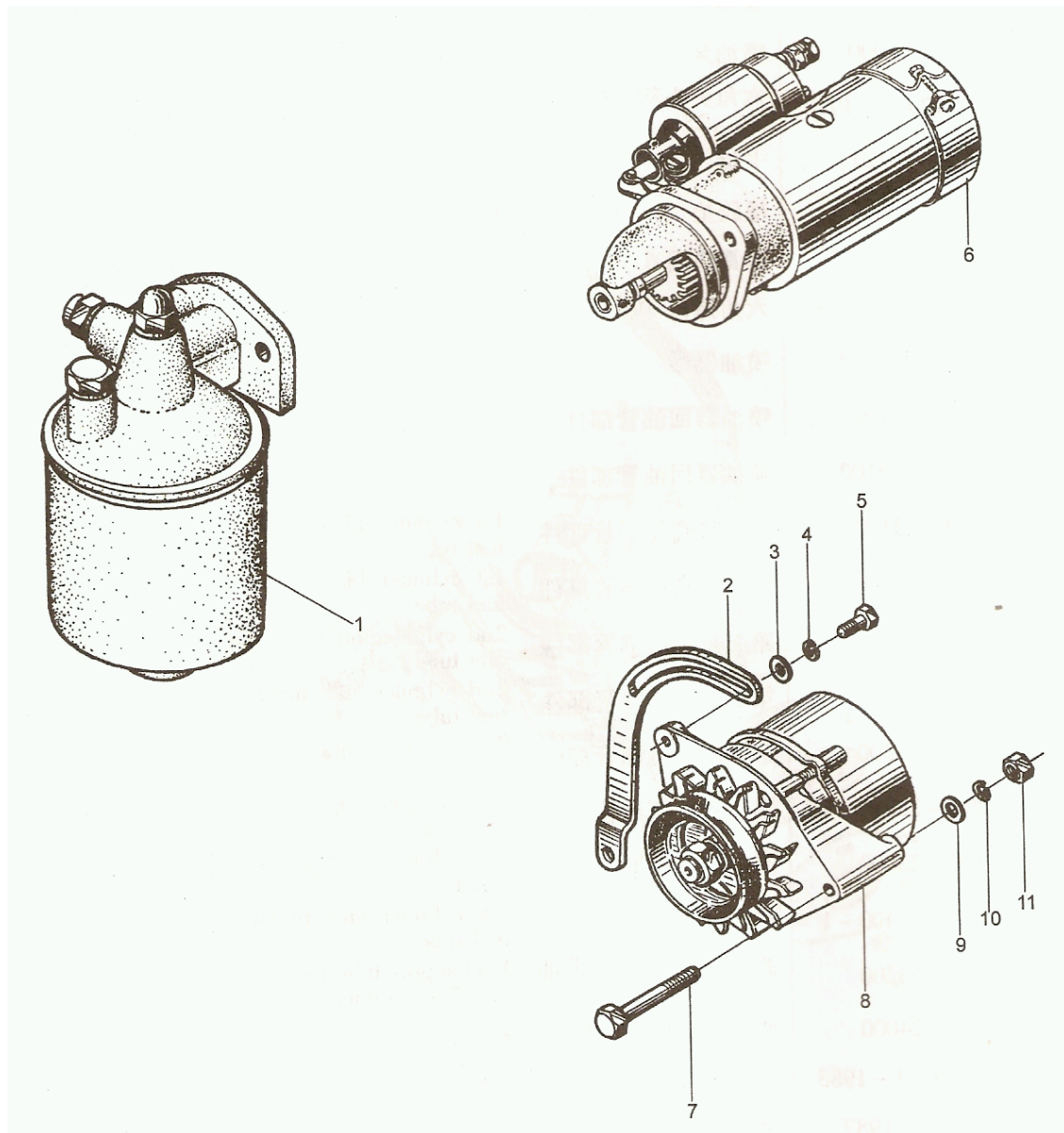
标号 No.	代号 Code	名称 Description		数量 Quantity	备注 Remark
32	490B-01073	机油滤清器垫片	OIL FILTER GASKET	1	2011-11_
33	490B-01076B	柴油滤清器垫板	FUEL FILTER BACK PLATE	1	2011-11_
34	GBT93-8	垫圈8	WASHER 8	11	2011-11_
35	GBT5783-M8X22	六角头螺栓	BOLT	4	2011-11_
36	490B-01002A	气缸盖螺栓(甲)	CYLINDER COVER BOLT (1)	14	2011-11_
36	490B-01003A	气缸盖螺栓(乙)	CYLINDER COVER BOLT (2)	4	2011-11_
37	490B-01044	气缸盖螺栓垫圈	CYLINDER COVER BOLT WASHER	18	
38	A498B-01005	气缸套	CYLINDER LINER	4	2011-11_
39	495B-01050	碗形塞片 60	PLUG 60	1	
4	495B-01047	碗形塞片 50	PLUG 50	1	
40	495B-01007A	凸轮轴衬套	CAMSHAFT BUSH	2	2011-11_
41	490B-01012	进水管垫片	WATER INLET PIPE GASKET	1	2011-11_
42	A490BZL-01082-1	进水口盖板	COVER PLATE	1	2011-11_
43	GBT5783-M8X22	六角头螺栓	BOLT	2	2011-11_
44	490BT-01100	放水开关总成	DRAIN SWITCH ASSEMBLY	1	2011-11_
45	HG4-404-82	放水胶管	DRAIN PIPE	1	2011-11_
46	490BT-01105	放水胶管固定架	DRAIN PIPE FIXING BRACKET	1	2011-11_
5	490B-03017	碗形塞片 20	PLUG 20	3	
52	495B-01015	机油喷咀	OIL INJECTOR	4	2011-11_
53	GBT5783-M8X16	螺栓	BOLT	2	2011-11_
54	GBT5783-M8X30	六角头螺栓	BOLT	5	2011-11_
55	490B-34000C	呼吸器总成		1	2011-11_
6	490B-01079	碗形塞片 40	PLUG 40	10	
7	GBT67-M6X10	开槽盘头螺钉	SLOTTED PAN HEAD SCREW	2	2011-11_
8	GBT93-6	垫圈	WASHER	2	2011-11_

A490BT、C490BT 燃油供油系统 Fuel supply system assembly



A498BT1-6A-10 10.10-燃油供油系统-10 FUEL SUPPLY SYSTEM ASSEMBLY-10

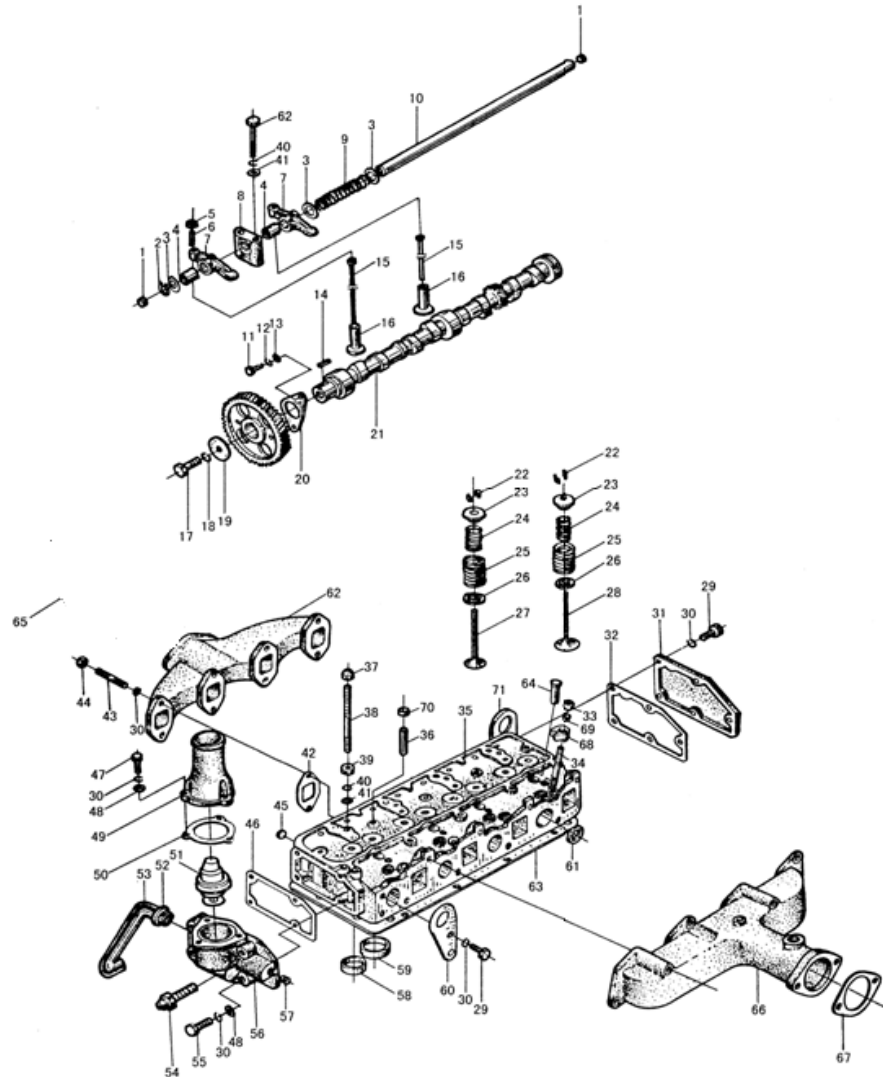
标号 No.	代号 Code	名称 Description	数量 Quantity	备注 Remark
1	490B-16011-1	喷油泵法兰垫片	1	2011-11_
10	A490B-23100	第一缸高压油管部件	1	2011-11_
11	A490B-23200	第二缸高压油管部件	1	2011-11_
12	A490B-23300	第3缸高压油管部件	1	2011-11_
13	A490B-23400	第四缸高压油管部件	1	2011-11_
14	490B-25200	滤清器至喷油泵进油管部件	1	2011-11_
15	490B-24000A	柴油滤清器总成	1	2011-11_
16	GBT97.1-8	垫圈	2	2011-11_
17	GBT93-8	垫圈8	2	2011-11_
18	GBT5783-M8X30	六角头螺栓	2	2011-11_
19	490B-25300	输油泵至滤清器进油管部件	1	2011-11_
2	B253D-1	喷油泵	1	2011-11_
20	490B-25401	输油泵进油接头	1	
21	498B-25002	喷油器回油胶管	3	2011-11_
22	498B-25001	喷油器回油防漏帽	1	2011-11_
23	498B-25004	环箍	10	2011-11_
24	A490B-22001	铜垫	4	2011-11_
25	DZXH12B-12V	电熄火器	1	2011-11_
3	GBT29.1-M6X25	六角头头部带槽螺栓	3	2011-11_
4	490B-23501	卡箍	6	2011-11_
5	490B-23502	橡胶垫	6	2011-11_
6	GBT93-6	垫圈	3	2011-11_
7	GBT6172-M6	六角薄螺母	3	2011-11_
8	A490B-22000	喷油器总成	4	2011-11_
9	C490BT-25400-3	喷油器回油管部件	1	2011-11_



A498BT1-6A-11 10.11-机油滤清器总成起动电机及充电发电机总成-11 OIL FILTER、STARTING AND
GENERATOR ASSEMBLY -11

标号 No.	代号 Code	名称 Description		数量 Quantity	备注 Remark
1	490B-32000B	机油滤清器总成	OIL FILTER ASSEMBLY	1	2011-11_
1.1	JX85100C	机油滤芯	ROLLING WHEEL	0	2011-11_
10	GBT93-10	垫圈10	WASHER 10	1	2011-11_
11	GBT6170-10	螺母	NUT	1	2011-11_
12	490BT-53005	发电机皮带轮保护罩	COVER	1	2011-11_
2	495BT-53001-1	发电机撑架	GENERATOR BRACKET	1	2011-11_
3	GBT97.1-8	垫圈	WASHER	1	2011-11_
4	GBT97.1-8	垫圈	WASHER	1	2011-11_
5	GBT5783-M8X25	螺栓	BOLT	1	2011-11_
6	QDJ1409	起动电机	Motor Starter	1	2011-11_
8	JF15	发电机	GENERATOR	1	
9	GBT97.1-10	垫圈10	WASHER 10	1	2011-11_

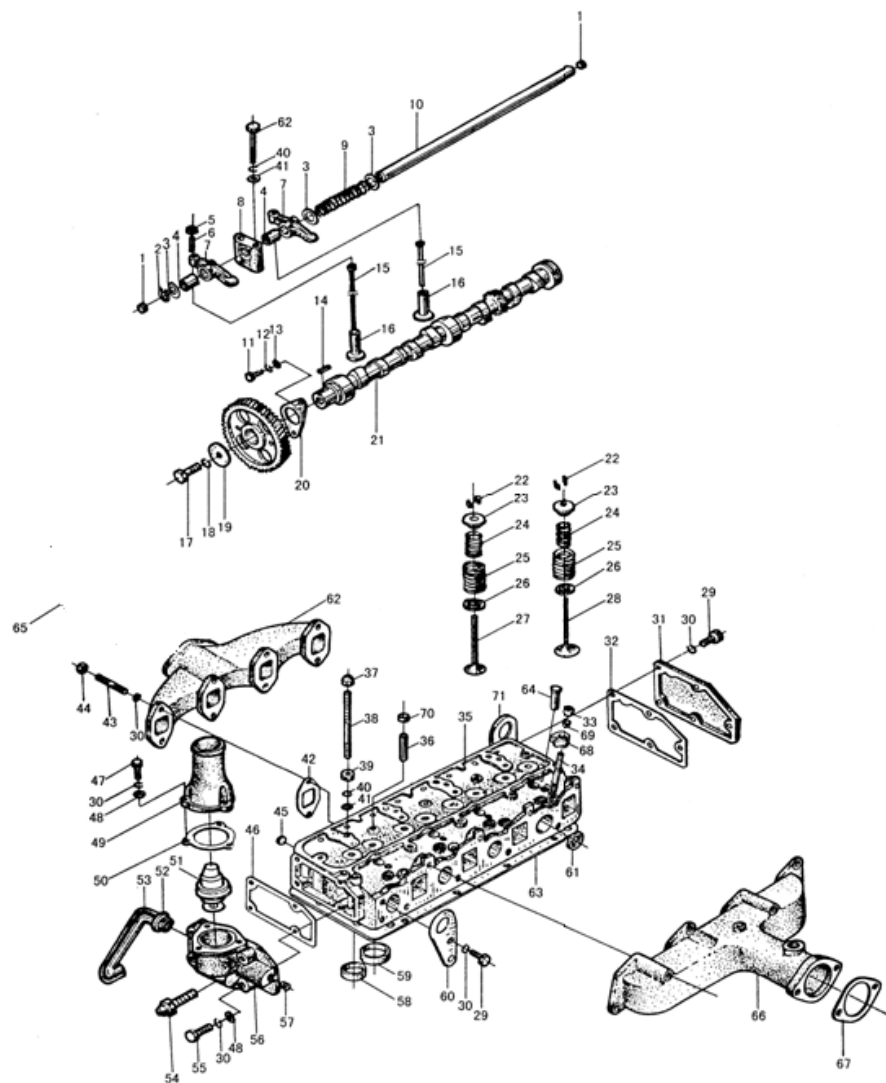
气缸盖及配气机构
Cylinder head and gas exchanging system assembly



A498BT1-6A-2 10.2-气缸盖及配气机构 CYLINDER HEAD AND GAS EXCHANGING SYSTEM ASSEMBLY-2

标号 No.	代号 Code	名称 Description		数量 Quantity	备注 Remark
0	490B-03200	气门摇臂轴部件	VALVE ROCKER SHAFT ASSEMBLY	1	2011-11_
1	490B-03018	碗形塞片 12	PLUG 12	2	
10	490B-03204	气门摇臂轴	VALVE ROCKER SHAFT	1	2011-11_
11	GBT5783-M8X18	六角头螺栓	BOLT	9	
12	GB93-87	标准型弹簧垫圈	WASHER	9	
13	GBT97.1-8	垫圈	WASHER	2	2011-11_
14	GBT1096-C8X22	平键	FLAT KEY	1	2011-11_
15	495B-06003	气门推杆	VALVE PUSH ROD	8	2011-11_
15	495B-06003	气门推杆	VALVE PUSH ROD	8	2011-11_
16	490B-06002	气门挺柱	VALVE TAPPET	8	2011-11_
17	GBT5782-M12X45	六角头螺栓	BOLT	1	2011-11_
18	GBT93-12	垫圈	WASHER	1	2011-11_
19	490B-02011	凸轮轴正时齿轮压板	CAMSHAFT TIMING GEAR PRESSURE PLATE	1	2011-11_
2	GBT894.1-20	挡圈20	BLCKING RING	2	2011-11_
20	490B-02008	凸轮轴止推板	CAMSHAFT THRUST PLATE	1	2011-11_
21	495B-06001	凸轮轴	CAMSHAFT	1	
22	490B-03006	气门锁夹	LOCK	16	2011-11_
23	490B-03007	气门弹簧上座	VALVE SPRING UPPER SEAT	8	2011-11_
24	490B-03005	气门内弹簧	INNER VALVE SPRING	8	2011-11_
25	490B-03004	气门外弹簧	OUTER VALVE SPING	8	2011-11_
26	490B-03011	气门弹簧下座	VALVE SPRING LOWER SEAT	8	2011-11_
27	495B-03015	排气门	EXHAUST VALVE	4	2011-11_
28	A498B-03014	进气门	AIR INLET VALVE	4	2011-11_
3	GBT848-20	小垫圈	WASHER	8	2011-11_
30	GBT93-8	垫圈8	WASHER 8	17	2011-11_

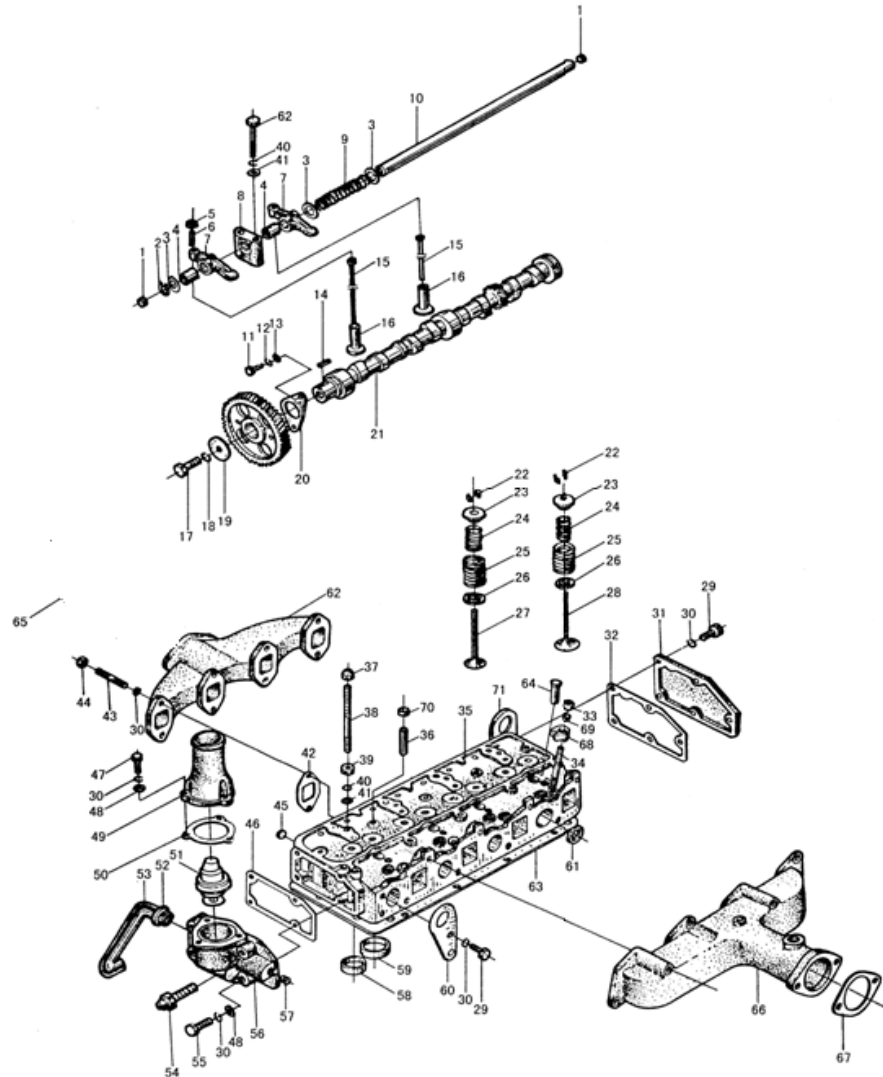
气缸盖及配气机构
Cylinder head and gas exchanging system assembly



A498BT1-6A-2 10.2-气缸盖及配气机构(续)

标号 No.	代号 Code	名称 Description	数量 Quantity	备注 Remark
31	490B-03012	后端盖	1	2011-11_
32	490B-03013A	后端盖垫片	1	2011-11_
33	GBT56-88	螺母	8	
34	A490BZL-03017	喷油器紧固螺栓	4	2011-11_
35	A498B-03101-1	气缸盖	1	2011-11_
36	490B-03102	气门导管	8	2011-11_
37	GBT923-M8	盖形螺母	4	
38	490B-03001A	气门摇臂支座螺柱	4	2011-11_
39	GBT6170-M10	螺母M10	4	
4	490B-03212A	气门摇臂衬套	8	2011-11_
40	GB93-87-10	标准型弹簧垫圈	4	2011-11_
41	GB97.1-85D10	平垫10	4	
42	495B-03003	排气管衬垫	4	2011-11_
43	GBT899-AM8-M8X25	双头螺柱	8	
43	GBT899-AM8-M8X25	双头螺柱	8	
44	GBT6170-M8	螺母M8	8	
45	490B-03103	堵塞	1	
46	490B-43005	节温器壳垫片	1	2011-11_
47	GBT5783-M8X25	螺栓	3	2011-11_
48	GBT97.1-8	垫圈	7	2011-11_
49	490BT-43001	节温器盖	1	2011-11_
5	GBT6171-M8X1	M8X1 I型六角螺母	8	2011-11_
5	GBT6171-M8X1	M8X1 I型六角螺母	8	2011-11_
50	490B-43003	节温器盖垫片	1	2011-11_
51	490B-43002	节温器	1	2011-11_

气缸盖及配气机构
Cylinder head and gas exchanging system assembly



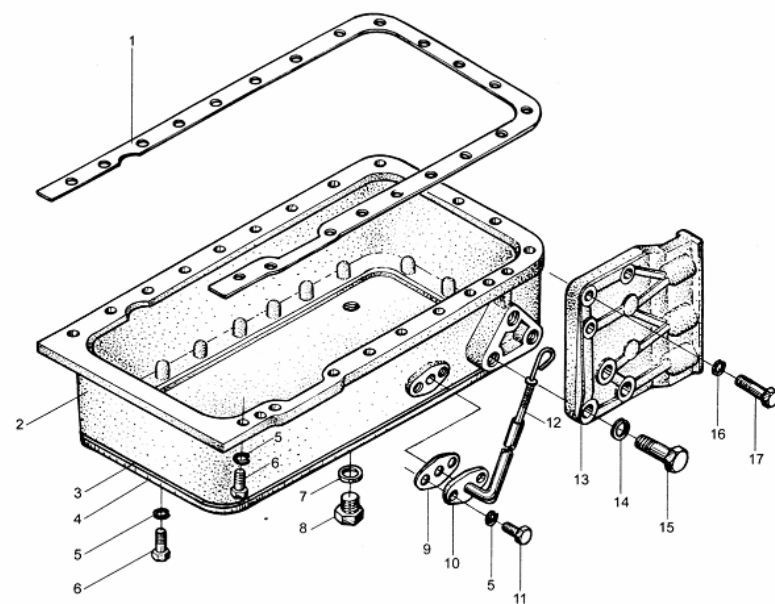
A498BT1-6A-2 10.2-气缸盖及配气机构(续)

标号 No.	代号 Code	名称 Description	数量 Quantity	备注 Remark	
52	490B-01074	接管	CONNECTING TUBE	1	2011-11_
53	490BT-43007	小循环水管	WATER PIPE	1	2011-11_
55	GBT5782-M8X35	六角头螺栓	BOLT	4	2011-11_
56	490B-43101-2	节温器壳	THERMOSTAT HOUSING	1	2011-11_
57	490B-43008	水温感应塞	WATER THERMO-SENSING PLUG	1	
58	495B-03108	排气门座	INSERT-VALVE SEAT(OUTLET)	4	2011-11_
59	A498B-03107	进气门座	AIR INLET VALVE SEAT	4	2011-11_
6	490B-03201	气门间隙调整螺钉	VALVE CLEARANCE ADJUSTING SCREW	8	2011-11_
60	490BT-03300	散热器拉杆固定支架焊接件	FIXING BRACKET	1	2011-11_
61	490B-01078	碗形塞片 30	PLUG 30	1	
62	490BT-08001-2	排气管	EXHAUST PIPE	1	2011-11_
63	A498B-01004	气缸盖衬垫	CYLINDER HEAD BUSH	1	2011-11_
63	A498B-01004	气缸盖衬垫	CYLINDER HEAD BUSH	1	2011-11_
64	A490B-03109	喷油器套管	SLEEVE TUBE	4	2011-11_
66	490B-09001	进气管衬垫	AIR INLET PIPE GASKET	1	2011-11_
66	490BT-09003	进气接管	AIR INLET CONNECTING PIPE	1	2011-11_
66	490B-09002	进气管	AIR INLET PIPE	1	2011-11_
67	490B-09004	进气总管纸垫	AIR INLET PIPE PAPER GASKET	1	2011-11_
67	490B-09004	进气总管纸垫	AIR INLET PIPE PAPER GASKET	1	2011-11_
68	A490B-03016A	喷油器压板	OIL INJECTOR PRESSURE PLATE	4	2011-11_
69	GBT849-M10	球面垫圈	BALL WASHER	4	2011-11_
7	490B-03211A	气门摇臂	VALVE ROCKER	8	2011-11_
70	A490BZL-03016	气门导管油封	VALVE SEAL	8	2011-11_
71	490B-03009A	吊耳	BRACKET,LIFTING	1	2011-11_
71	A490B-55001	预热塞	PREHEATING PLUG	4	2011-11_

A498BT1-6A-2 10.2-气缸盖及配气机构(续)

标号 No.	代号 Code	名称 Description		数量 Quantity	备注 Remark
71	A490B-55100	电热塞连接部件	HEAT PLUG CONNECTING PARTS	1	2011-11_
8	490B-03202	气门摇臂轴支座	SEAT	4	2011-11_
9	490B-03203	气门摇臂轴弹簧	SPRING	3	2011-11_

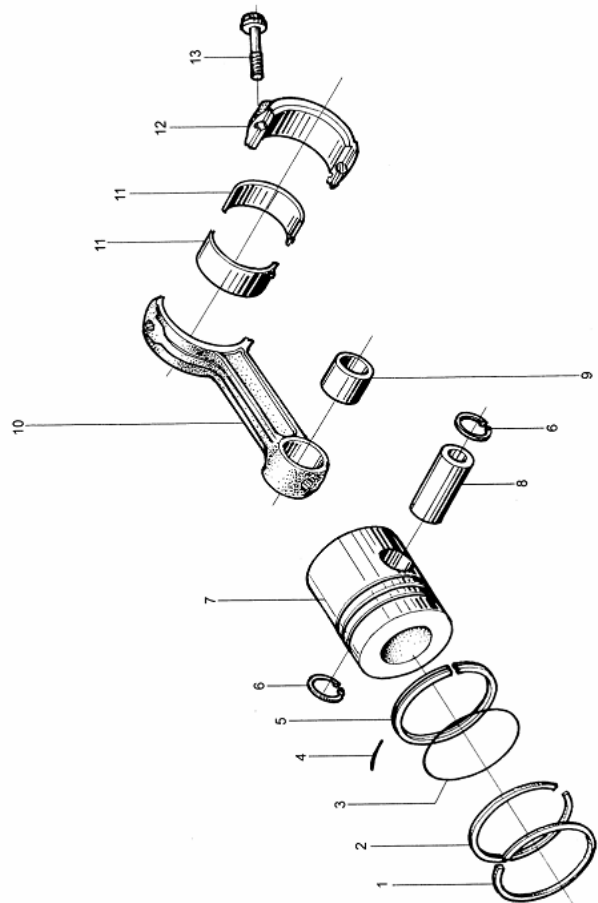
油底壳总成 Oil sump assembly



A498BT1-6A-3 10.3-油底壳-3 OIL SUMP ASSEMBLY-3

标号 No.	代号 Code	名称 Description		数量 Quantity	备注 Remark
0	495BT-15001R	发动机前支架	ENGINE FRONT BRACKET	1	2011-11_
1	490BT-07002A	油底壳垫片	OIL SUMP GASKET	11	2011-11_
10	490BT-07300	机油标尺套管焊接件	OIL DIPSTICK PIPE	1	2011-11_
11	GBT5783-M8X20	螺栓	BOLT	2	2011-11_
11	GBT5783-M8X20	螺栓	BOLT	2	2011-11_
12	490B-07200	机油标尺部件	OIL DIPSTICK	1	2011-11_
13	495BT-15001L	发动机前支架	ENGINE FRONT BRACKET	2	2011-11_
14	GBT93-18	垫圈	WASHER	4	2011-11_
15	490BT-07800	侧支架螺栓	SIDE BRACKET BOLT	4	2011-11_
16	GBT93-10	垫圈10	WASHER 10	6	2011-11_
17	GBT5782-M10X45	六角头螺栓	BOLT	6	2011-11_
2	495BT-07106A	油底壳	OIL SUMP	1	2011-11_
2	495BT-07106A	油底壳	OIL SUMP	1	2011-11_
3	490BT-07004	油底壳底板垫片	OIL SUMP GASKET	1	2011-11_
4	490BT-07003	油底壳底板	OIL SUMP BOTTOM PLATE	1	2011-11_
5	GBT93-8	垫圈8	WASHER 8	41	2011-11_
6	GBT5783-M8X25	螺栓	BOLT	39	2011-11_
7	JB982-20	组合垫圈	COMBINED GASKET	1	2011-11_
8	JB2343-M20X1.5	六角头磁性螺塞	HEXAGON MAGNETISM PLUG	1	
9	490BT-07303	机油标尺套管垫	GASKET	1	2011-11_

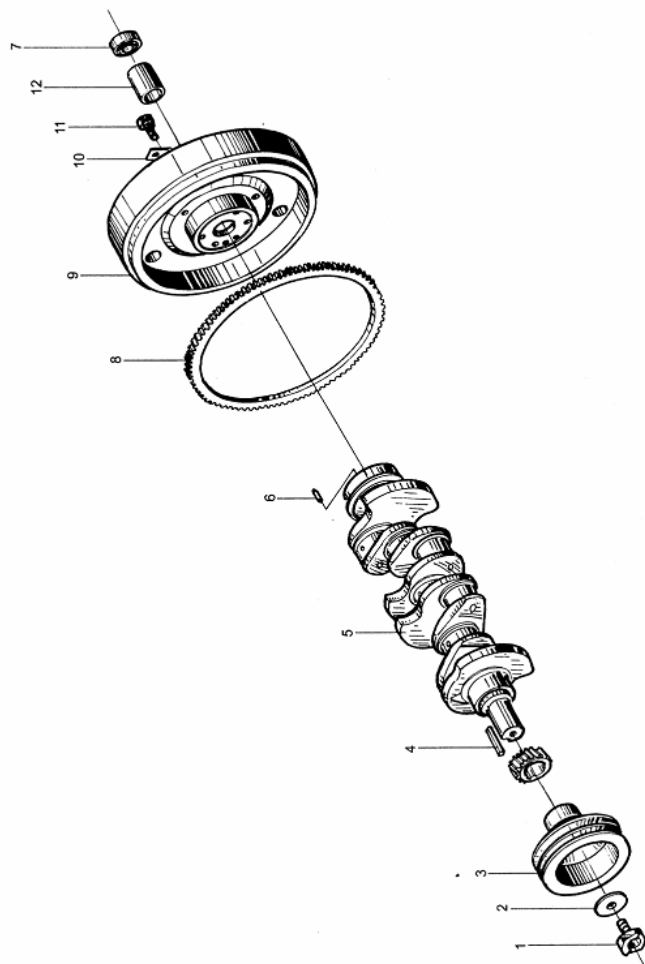
活塞连杆总成 Piston connecting rod assembly



A498BT1-6A-4 10.4-活塞连杆总成-4 PISTON CONNECTING ROD ASSEMBLY-4

标号 No.	代号 Code	名称 Description		数量 Quantity	备注 Remark
1.5	498B-04002 (出口)	活塞环总成	PISTON RING ASSEMBLY	4	
11	495B-04005-1A	连杆轴瓦	CONNECTING ROD BEARING	8	2011-11_
6	GBT893.1-34	孔用弹性挡圈	SNAP RING	8	2011-11_
7	A498B-04001-1A	活塞总成	PISTON	4	2011-11_
8	A498B-04004A	新柴 活塞销	GUDGEON	4	2011-11_
9	A498B-04200	连杆总成	CONNECTING ROD ASSEMBLY	4	

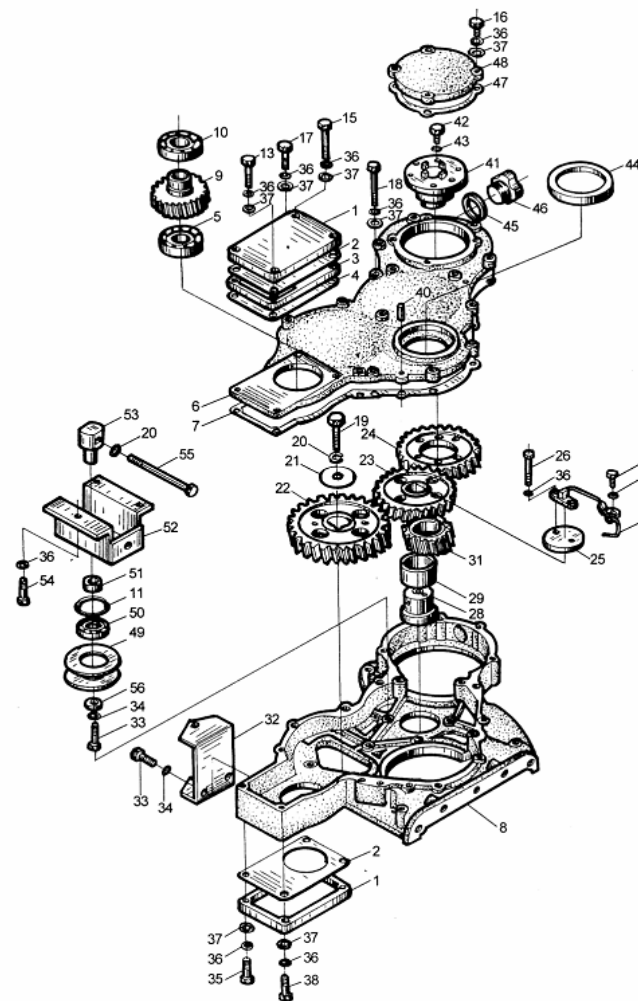
曲轴飞轮总成 Crankshaft flywheel assembly



A498BT1-6A-5 10.5-曲轴飞轮总成-5 CRANKSHAFT FLYWHEEL ASSEMBLY-5

标号 No.	代号 Code	名称 Description		数量 Quantity	备注 Remark
1	490B-05008	起动爪	STARTING CLAW	1	2011-11_
10	490B-05001	飞轮螺栓保险片	FLYWHEEL BOLT SAFETY PIECE	1	2011-11_
11	490BT-05002C	飞轮螺栓	FLYWHEEL BOLT	1	2011-11_
12	490BT-05120C	飞轮轴承挡圈	FLYWHEEL BEARING RETAINER RING	1	2011-11_
2	490B-05007	起动爪垫圈	STARTING CLAW WASHER	1	
3	490BT-05006-1	曲轴V带轮	CRANKSHAFT V-BELT	1	2011-11_
4	GBT1096-A12X63	平键	FLAT KEY	1	2011-11_
5	495B-05004A	曲轴	CRANK SHAFT	1	2011-11_
6	GBT119.2-B10X24	圆柱销	PIN	1	2011-11_
7	GBT278-6204-2Z	轴承	BEARING	1	2011-11_
8	490BT-05100-2	飞轮齿圈部件	FLYWHEEL RING GEAR ASSEMBLY	1	2011-11_
8	490B-05102	飞轮齿圈	GEAR RING OF FLYWHEEL	1	2011-11_
9	490BT-05101-2	飞轮	FLYWHEEL	1	2011-11_

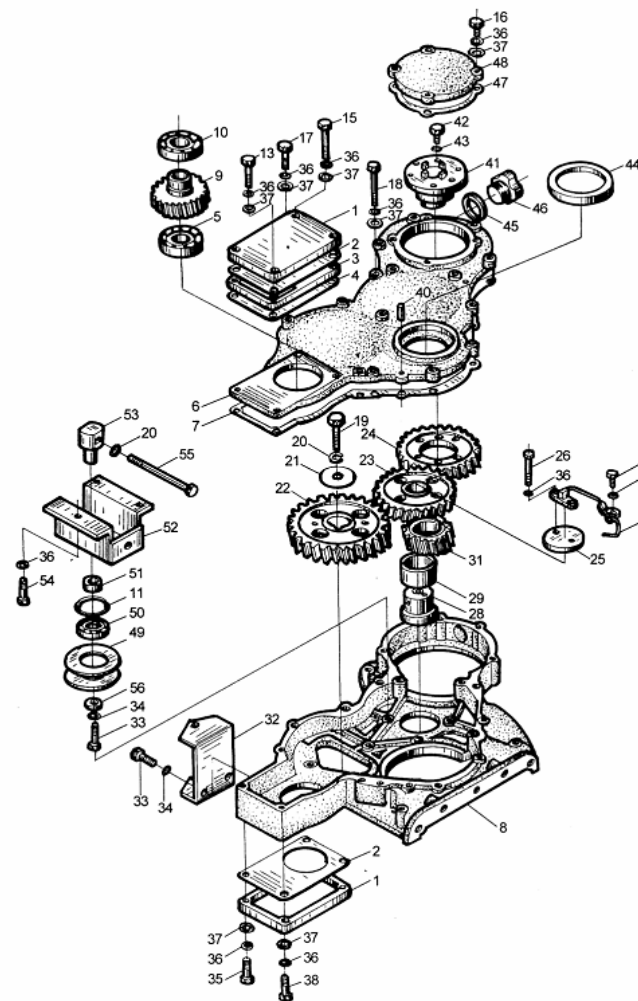
正时齿轮传动系总成 Timing gear train assembly



A498BT1-6A-6 10.6-正时齿轮传动系总成-6 TIMING GEAR TRAIN ASSEMBLY-6

标号 No.	代号 Code	名称 Description		数量 Quantity	备注 Remark
1	490BT-16014	液压泵端盖	HYDRAULIC PUMP END	2	2011-11_
10	GBT292-7206AC	角接触球轴承	BEARING	1	2011-11_
11	GB893.1-86	挡圈130	RETAINER RING	1	
13	GBT5782-M8X65	六角头螺栓	BOLT	2	2011-11_
15	GBT5782-M8X40	六角头螺栓	BOLT	2	2011-11_
16	GBT5782-M8X25	六角头螺栓	BOLT	8	2011-11_
17	GBT5783-M8X30	六角头螺栓	BOLT	8	2011-11_
18	GBT5782-M8X30	六角头螺栓	BOLT	1	2011-11_
19	GBT5782-M12X45	六角头螺栓	BOLT	2	2011-11_
2	490BT-16013-1	液压泵端盖垫片	HYDRAULIC PUMP END CAP GASKET	2	2011-11_
20	GBT93-12	垫圈	WASHER	1	2011-11_
21	490B-02011	凸轮轴正时齿轮压板	CAMSHAFT TIMING GEAR PRESSURE PLATE	1	2011-11_
22	490BT-02009	凸轮轴正时齿轮	CAMSHAFT TIMING GEAR	1	2011-11_
23	490BT-02006	正时惰齿轮	TIMING LAZY GEAR	1	2011-11_
24	490B-02003	喷油泵正时齿轮	OIL INJECTION PUMP TIMING GEAR	1	2011-11_
25	490B-02012	惰齿轮轴压板	IDLE GEAR SHAFT PRESS PLATE	1	2011-11_
26	GBT5782-M8X60	螺栓	BOLT	3	2011-11_
27	490BT-02100	喷油管焊接部件	INJECTION PIPE	1	2011-11_
28	490B-02004	正时惰齿轮轴	TIMING IDLE GEAR SHAFT	1	2011-11_
29	490B-02005	正时惰齿轮衬套	TIMING IDLE GEAR BUSH	1	2011-11_
3	490BT-16021	前液压泵联接板	FRONT HYDRAULIC PUMP GUSSET PLATE	1	2011-11_
30	GBT5783-M8X16	螺栓	BOLT	1	2011-11_
31	490BT-02007	凸轮轴正时齿轮	CAMSHAFT TIMING GEAR	1	2011-11_
32	490BT-53002-1	发电机支架	GENERATOR BRACKET	1	2011-11_
33	GBT5783-M10X25	螺栓	BOLT	3	2011-11_

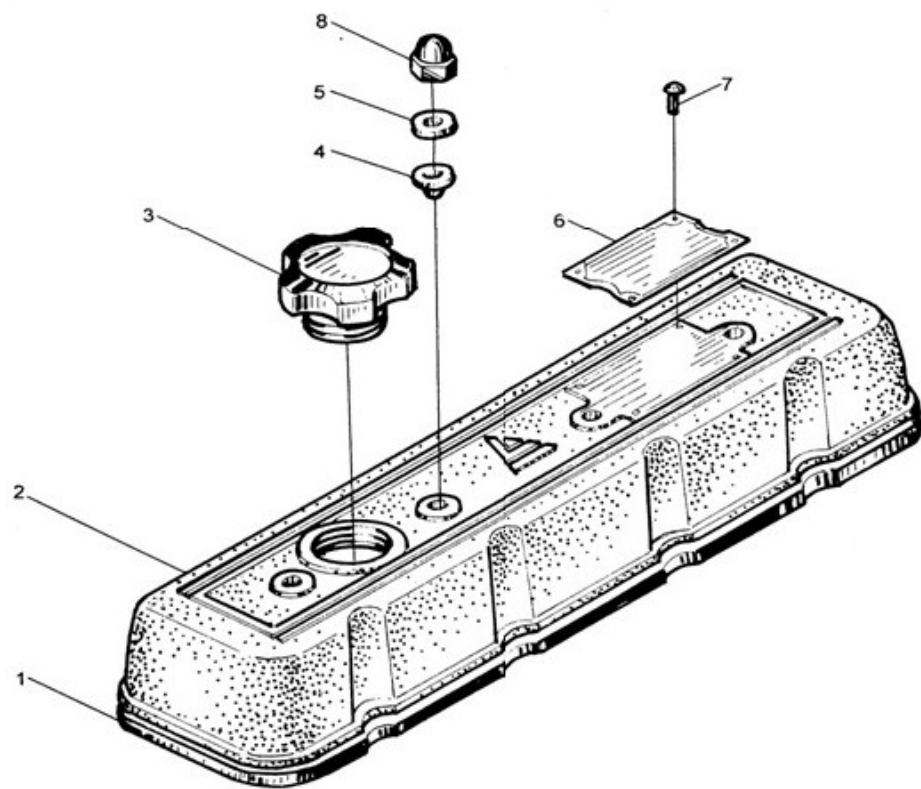
正时齿轮传动系总成 Timing gear train assembly



A498BT1-6A-6 10.6-正时齿轮传动系总成-6(续)

标号 No.	代号 Code	名称 Description		数量 Quantity	备注 Remark
34	GBT93-10	垫圈10	WASHER 10	4	2011-11_
35	GBT5782-M8X55	六角头螺栓	BOLT	4	2011-11_
36	GBT93-8	垫圈8	WASHER 8	34	2011-11_
37	GBT97.1-8-140HV-A0P	垫圈	WASHER	27	
38	GBT5783-M8X30	六角头螺栓	BOLT	1	2011-11_
4	490BT-16017	前液压泵联接板垫片	FRONT HYDRAULIC PUMP CONNECTING PLATE	1	2011-11_
4	490BT-16017	前液压泵联接板垫片	GASKET	1	2011-11_
40	GBT119.2-8X20	圆柱销	FRONT HYDRAULIC PUMP CONNECTING PLATE	1	
41	490BT-02015	喷油泵正时齿轮轴套	GASKET	1	2011-11_
42	GBT5783-M6X16	螺栓	PIN	6	2011-11_
			BUSHING		
43	GBT93-6	垫圈	BOLT	6	2011-11_
44	60X80X12	油封王		1	2011-11_
45	495BT-16102	齿轮室加油口盖垫圈	WASHER	1	2011-11_
46	495BT-16101	齿轮室加油口盖	OIL SEAL	1	2011-11_
47	490BT-16005	空气压缩机盖板垫片	WASHER	1	2011-11_
			CAP		
48	490BT-16016	空气压缩机盖板	GASKET	1	2011-11_
49	490BT-16200	张紧轮总成		1	2011-11_
5	GBT1276-6206	深沟球轴承	AIR COMPRESSOR COVER PLATE	1	2011-11_
6	490BT-16001-1	正时齿轮室盖	IDLER WHEEL ASSEMBLY	1	2011-11_
7	490BT-16002-1	正时齿轮室盖垫片	BEARING	1	2011-11_
			TIMING GEAR COVER		
8	490BT-16003-1	正时齿轮室	TIMING GEAR HOUSING COVER GASKET	1	2011-11_
9	490BT-02010-1	液压泵齿轮		1	2011-11_
			TIMING CASE		
			HYDRAULIC PUMP GEAR		

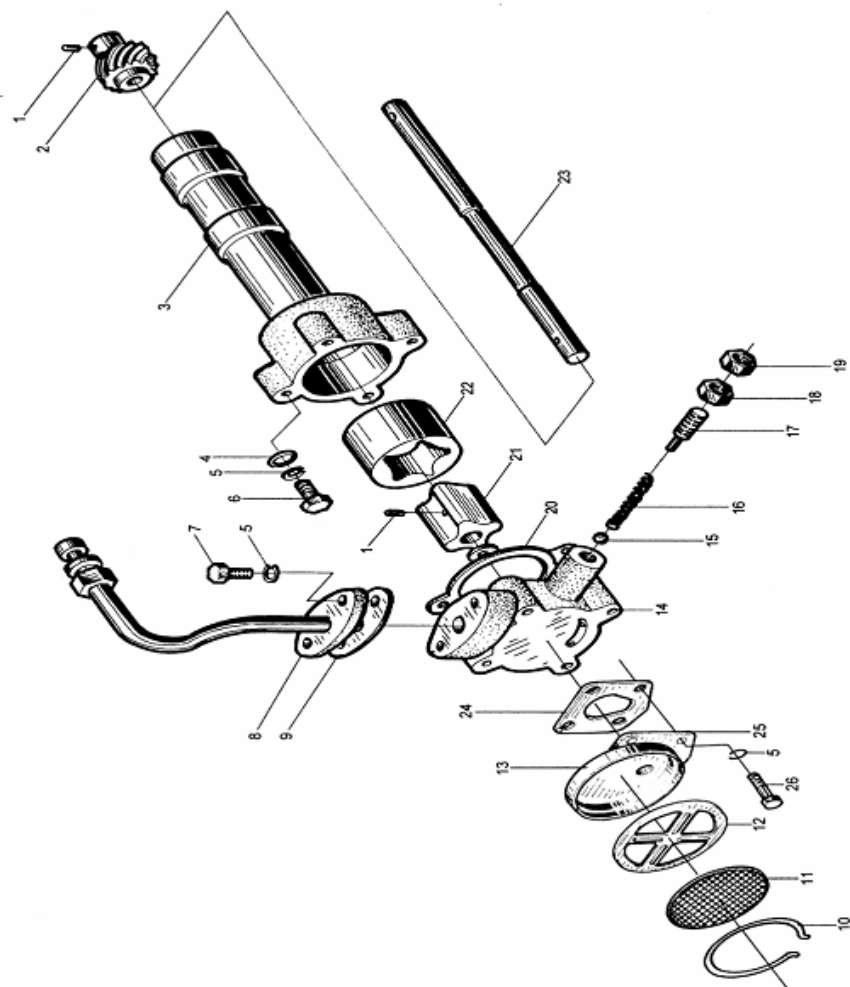
气缸盖罩总成 Cylinder head cover assembly



A498BT1-6A-7 10.7-气缸盖罩总成 CYLINDER HEAD COVER ASSEMBLY-7

标号 No.	代号 Code	名称 Description		数量 Quantity	备注 Remark
1	A498B-11002	气缸盖罩橡胶垫	CYLINDER COVER RUBBER MAT	1	2011-11_
2	A498B-11001	气缸盖罩	CYLINDER HEAD COVER	1	2011-11_
3	490B-11200B	加油口盖部件	FILLING CAP COVER	1	2011-11_
4	A498B-11003	橡胶隔离套	RUBBER ISOLATION BUSH	4	2011-11_
5	A498B-11004	气缸盖罩橡胶垫	CYLINDER COVER RUBBER MAT	4	2011-11_
6	A498B-1109-1	E-Mark 铭牌	NAMEPLATE	1	2011-11_

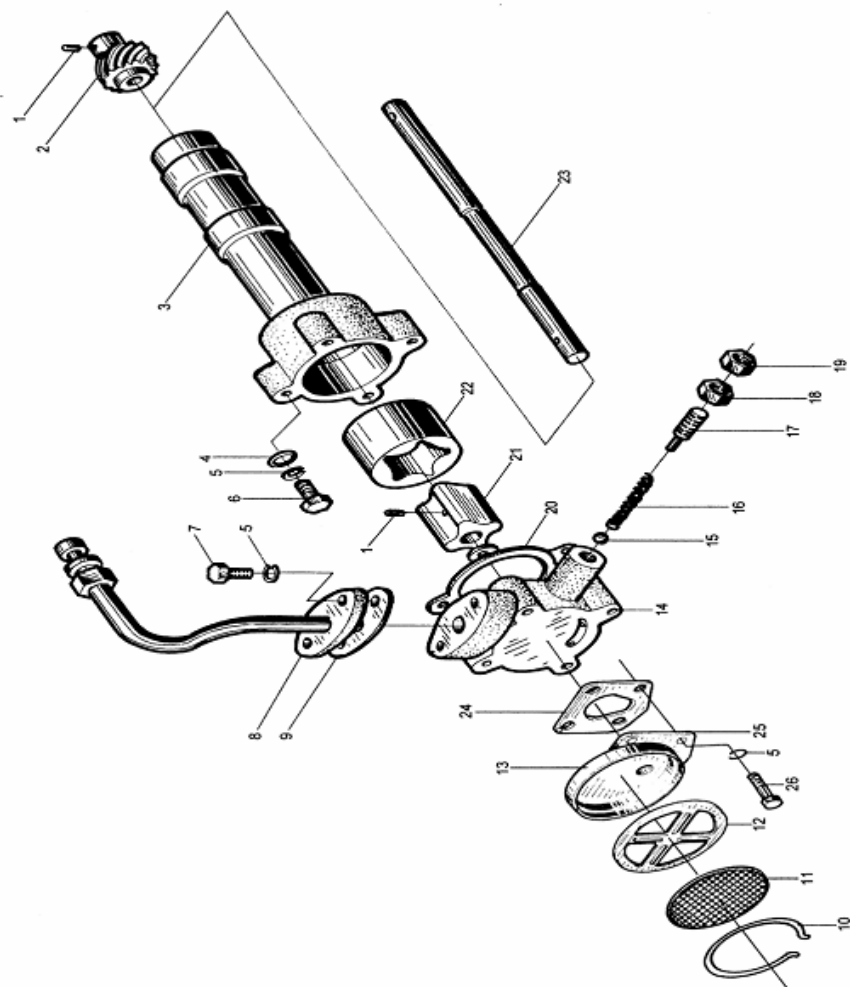
机油泵、机油管路总成 Oil pump and oil pipe assembly



A498BT1-6A-8 10.8-机油泵机油管路总成-8 OIL PUMP AND OIL PIPE ASSEMBLY-8

标号 No.	代号 Code	名称 Description		数量 Quantity	备注 Remark
0	A490-04200	机油泵总成	OIL PUMP ASSEMBLY	1	2011-11_
1	495B-31203	圆柱销	PIN	2	2011-11_
10	490B-31104	钢丝挡圈	SNAP RING	1	2011-11_
11	490B-31112	滤网	SCREEN	1	2011-11_
12	490B-31111	滤网网衬	FILTER SCREEN FRAME	1	2011-11_
13	490B-31103	集滤器盖	FILTER COVER	1	2011-11_
14	495B-31005A	机油泵盖	OIL PUMP COVER	1	2011-11_
15	GBT308-10	钢球	BALL	1	2011-11_
16	495B-31003	限压阀弹簧	PRESSURE LIMITING VALVE SPRING	1	2011-11_
17	495B-31002	调压螺钉	SCREW	1	2011-11_
18	GBT6171-M14X1.5	1型六角螺母	NUT	1	2011-11_
19	GBT6173-M14X1.5	六角薄螺母	NUT	1	
2	495B-31001	机油泵传动齿轮	OIL PUMP DRIVING GEAR	1	2011-11_
20	495B-31007	机油泵盖垫片	OIL PUMP COVER GASKET	1	2011-11_
21	495B-31202A	内转子	INNER ROTOR	1	2011-11_
22	495B-31008A	外转子	OUTER ROTOR	1	2011-11_
23	495B-31201	机油泵轴	OIL PUMP SHAFT	1	2011-11_
24	495B-31006	机油集滤器垫片	OIL FILTER GASKET	1	2011-11_
25	495B-31101	集滤器法兰	FILTER FLANGE	1	2011-11_
26	GBT5782-M8X45	六角头螺栓	BOLT	4	2011-11_
3	495B-31004A	机油泵泵体	OIL PUMP HOUSING	1	2011-11_
4	GBT97.1-8	垫圈	WASHER	5	2011-11_
5	GBT93-8	垫圈8	WASHER 8	7	2011-11_
6	GBT5783-M8X30	六角头螺栓	BOLT	4	2011-11_
7	GBT5783-M8X20	螺栓	BOLT	2	2011-11_

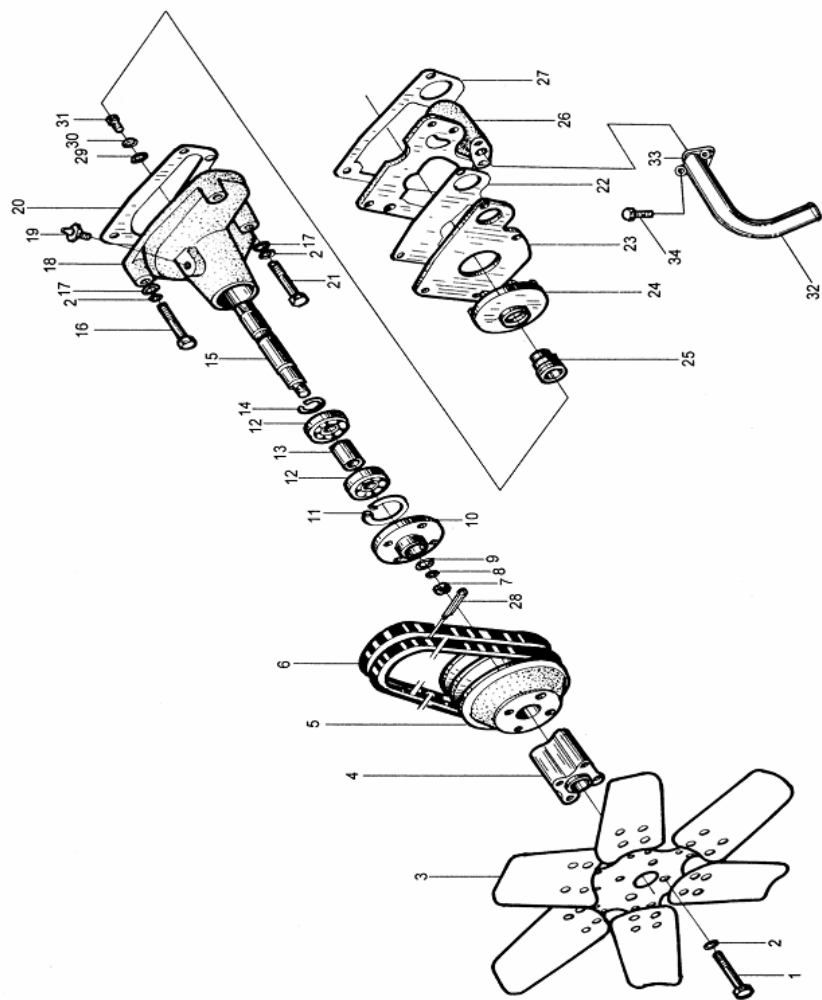
机油泵、机油管路总成 Oil pump and oil pipe assembly



A498BT1-6A-8 10.8-机油泵机油管路总成-8(续)

标号 No.	代号 Code	名称 Description		数量 Quantity	备注 Remark
7	GBT5783-M8X20	螺栓	BOLT	2	2011-11_
8	495B-33000	机油管路总成	OIL PIPELINE ASSEMBLY	1	2011-11_
9	490B-33005	垫片	WASHER	1	2011-11_

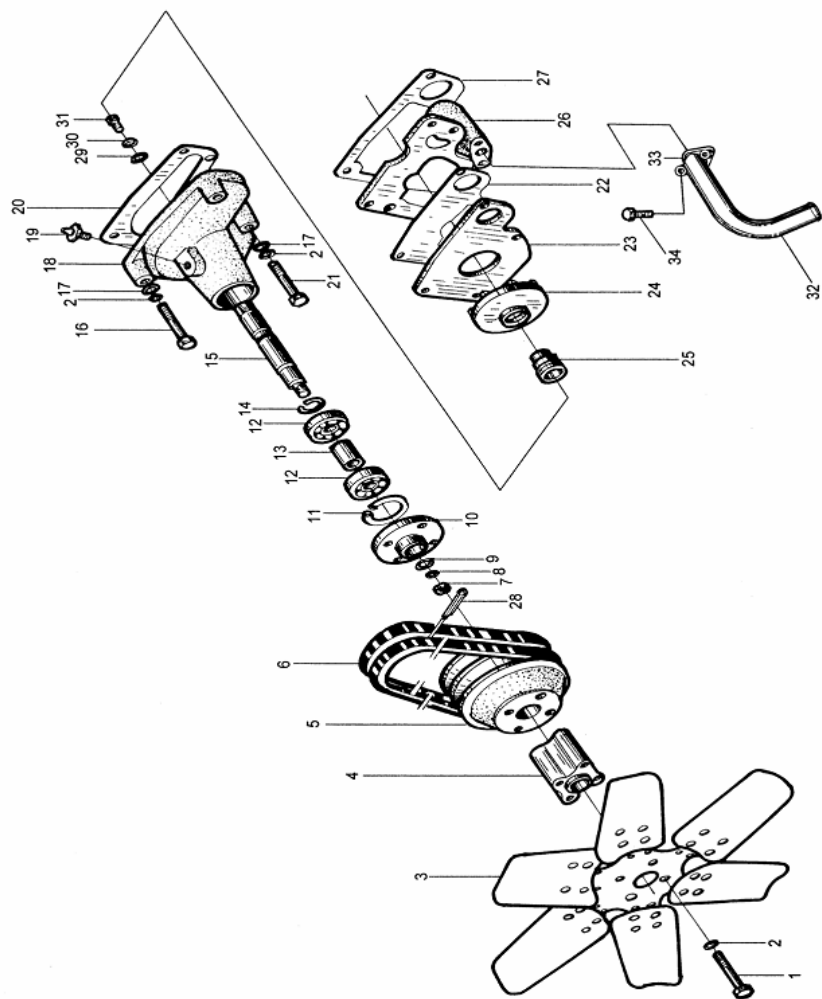
冷却水泵、风扇部件 Cooling water pump and fan assembly



A498BT1-6A-9 10.9-冷却水泵风扇部件-9 COOLING WATER PUMP AND FAN ASSEMBLY-9

标号 No.	代号 Code	名称 Description		数量 Quantity	备注 Remark
0	490B-41003-4	风扇垫块	FAN GASKET	1	2011-11_
1	GBT5782-M8X45	六角头螺栓	BOLT	4	2011-11_
10	495B-42001	风扇皮带轮毂	FAN BELT PULLEY HUB	1	2011-11_
11	GBT893.1-40	挡圈	RETAINER RING	1	2011-11_
12	GBT287-6203	轴承	BEARING	2	2011-11_
13	495B-42003	轴承隔圈	BEARING SPACER RING	1	2011-11_
14	GBT1099-5X19	键	KEY	1	
15	495B-42002	水泵轴	WATER PUMP SHAFT	1	2011-11_
16	GBT5782-M8X70	六角头螺栓	BOLT	1	2011-11_
17	GBT96-8	垫圈	WASHER	1	2011-11_
17	GBT96-8	垫圈	WASHER	1	2011-11_
18	495B-42004	水泵体	WATER PUMP HOUSING	1	2011-11_
19	GBT1152-M10X1	油杯	OIL CUP	1	
2	GBT93-8	垫圈8	WASHER 8	4	2011-11_
20	495B-42005	水泵体衬垫	WATER PUMP HOUSING LINER	1	2011-11_
21	GBT5782-M8X55	六角头螺栓	BOLT	3	2011-11_
22	490BT-42011	水泵隔板衬垫	GASKET	1	2011-11_
23	490BT-42006	水泵隔板	BACK PLATE	1	2011-11_
24	495B-42008	水泵叶轮	WATER PUMP GEAR	1	2011-11_
25	JBT5086	水封	WATER SEAL	1	2011-11_
26	490BT-42010-1A	水泵接头	WATER PUMP CONNECTOR	1	2011-11_
27	490BT-42011-1A	水泵接头垫片	GASKET	1	2011-11_
29	495B-42011	大垫圈 Q235-AF	WASHER Q235-AF	1	2011-11_
3	Z420-28-52-7	φ 420塑料吸风扇	FAN	1	2011-11_
3	Z420-28-52-7	φ 420塑料吸风扇	FAN	1	2011-11_

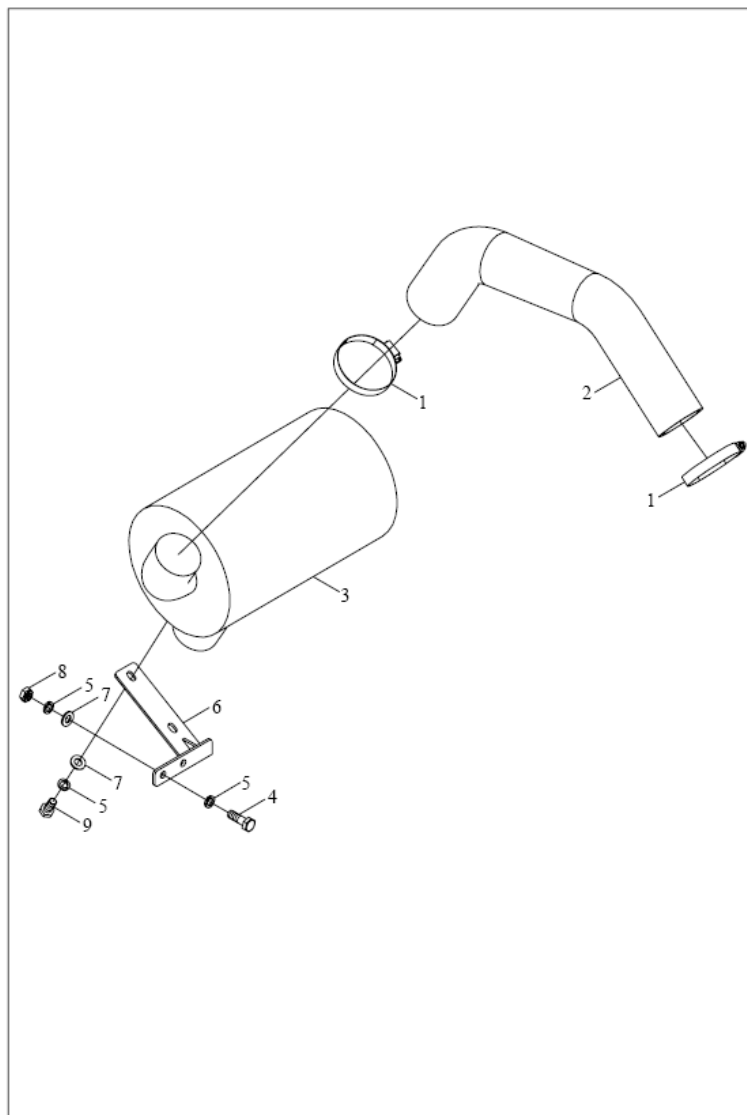
冷却水泵、风扇部件 Cooling water pump and fan assembly



A498BT1-6A-9 10.9-冷却水泵风扇部件-9(续)

标号 No.	代号 Code	名称 Description		数量 Quantity	备注 Remark
30	GBT93-8	垫圈8	WASHER 8	1	2011-11_
31	GBT5783-M8X16	螺栓	BOLT	1	2011-11_
32	490BT-01011-3	进水管	WATER INLET PIPE	1	2011-11_
33	490BT-01012	进水管垫片	WATER INLET PIPE GASKET	1	2011-11_
34	490B-01100-2	放水开关	DRAIN SWITCH	1	2011-11_
34.1	495B-42000	水泵总成	WATER PUMP ASSEMBLY	0	2011-11_
4	490B-41003-1	风扇垫块	FAN GASKET	1	2011-11_
5	490BT-41002-2	风扇皮带轮	FAN BELT PULLEY	1	2011-11_
6	AV15X670Le	皮带	BELT	1	2011-11_
6	AV15X670Le	皮带	BELT	1	2011-11_
6	AV15X950Le	皮带	BELT	1	2011-11_
7	GBT6178-M10	1型六角开槽螺母	NUT (PAGE81)	1	2011-11_
8	GBT93-10	垫圈10	WASHER 10	1	2011-11_

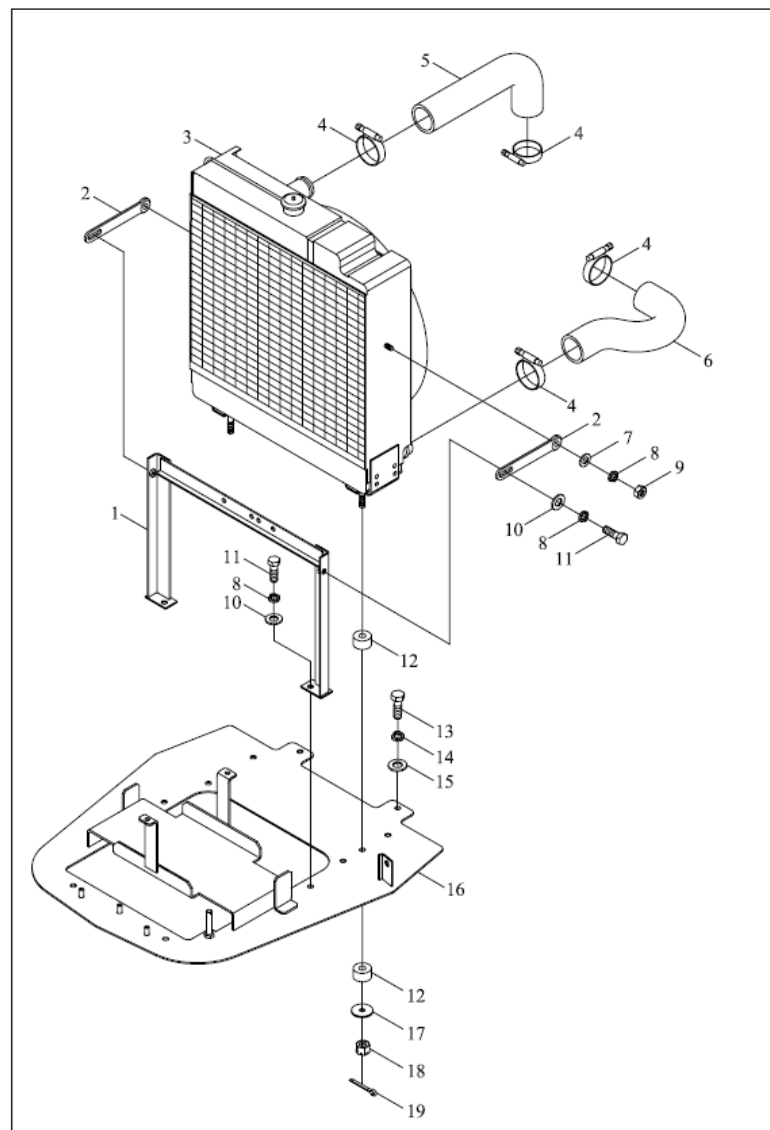
TB400.11 空气滤清系总成



TB400.11 11-空气滤清系总成 11-AIR CLEANER ASSEMBLY

标号 No.	代号 Code	名称 Description		数量 Quantity	备注 Remark
0	TB400.11.1-05	空气滤清器滤芯	AIR FILTER CORE	1	2011-11_
0	TB400.11.1-05	空气滤清器滤芯	AIR FILTER CORE	1	2011-11_
1	Q67683	环箍	Clip	2	2011-11_
2	TB400.11-01	空滤器进气软管	AIR INLET HOSE OF AIR FILTER	1	2011-11_
3	TB400.11.1	空气滤清器总成	AIR FILTER ASSEMBLY	1	2011-11_
3.1	TD900.11A-01	空气滤清器保养指示器	AIR FILTER MAINTENANCE INDICATOR	1	2011-01_
4	GBT5783-M8X25-A2L	螺栓	BOLT	2	2011-11_
5	GBT93-8-A0P	垫圈	WASHER	6	2011-11_
6	TB400.11.2	空滤器安装支架焊合	AIR FILTER ASSEMBLY BRACKET WELDMENT	1	2011-11_
7	GBT97.1-8-A0P	平垫圈	WASHER	4	2011-11_
8	GBT6170-M8-A2L	螺母	NUT	2	2011-11_
9	GBT5783-M8X16-A2L	螺栓	BOLT	2	2011-11_

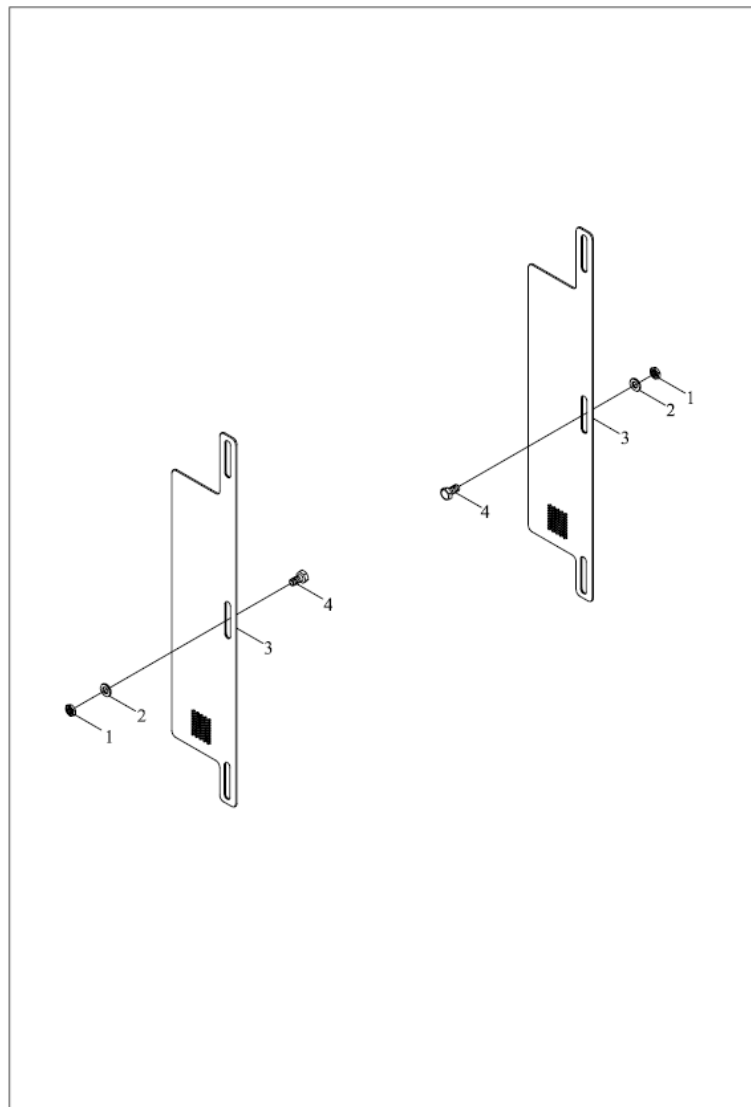
TB500.13Y Cooling system assembly



TB500.13Y 13-冷却系总成 13-COOLING SYSTEM ASSEMBLY

标号 No.	代号 Code	名称 Description		数量 Quantity	备注 Remark
1	TB500.13Y.5	空滤器安装支架	AIR FILTER ASSEMBLY BRACKET	1	2011-11_
10	GBT97.1-8-A0P	平垫圈	WASHER	6	2011-11_
11	GBT5783-M8X20-A2L	螺栓	BOLT	6	2011-11_
12	FT650.13.112	橡胶垫块	RUBBER PAD BLOCK	4	
12.1	TD800.131-11	橡胶垫块	RUBBER PAD BLOCK	2	2011-08_
12.2	TA700.131-01	橡胶垫块	RUBBER PAD BLOCK	2	2011-08_
13	GBT5783-M10X20-A3L	螺栓	BOLT	2	2011-11_
14	GBT93-10-A0P	标准型弹簧垫圈	WASHER	2	2011-11_
15	GBT97.1-10-A0P	平垫圈	WASHER	2	2011-11_
16	TB500.13Y.2	水箱垫板焊合	RADIATOR BACKING BOARD WELDMENT	1	2011-11_
17	FT650.13.116	垫片	WASHER	2	2011-11_
18	GBT6178-M10-A3L	1型六角开槽螺母	NUT (PAGE81)	2	2011-11_
19	GBT91-2.5X28-A0P	开口销	PIN	2	2011-11_
2	TB500.13E.2	拉杆合件	PULL ROD UNIT	2	2010-01_
2	TB550.13.2	拉杆合件	PULL ROD UNIT	2	2004-01_
20	TA700.131-02	套管	SLEEVE	2	2011-08_
3	TB500.13.2	散热器总成	RADIATER ASSEMBLY	1	2011-11_
4	Q67650	B型蜗杆传动式软管环箍	B-TYPE WORM TRANSMISSION HOSE CLAMP	4	
5	TB500.13-01	水箱进水软管	WATER TANK INLET HOSE	1	2011-11_
5	TB500.13-01	水箱进水软管	WATER TANK INLET HOSE	1	2011-11_
6	FT450.13.102	水箱出水软管	WATER TANK OUTLET HOSE	1	2011-11_
7	GBT96-8-A0P	大垫圈	WASHER	2	2011-11_
8	GBT93-8-A0P	垫圈	WASHER	8	2011-11_
9	GBT6170-M8-A2L	螺母	NUT	2	2011-11_
	TB550.13C.2	散热器总成	RADIATER ASSEMBLY	2	

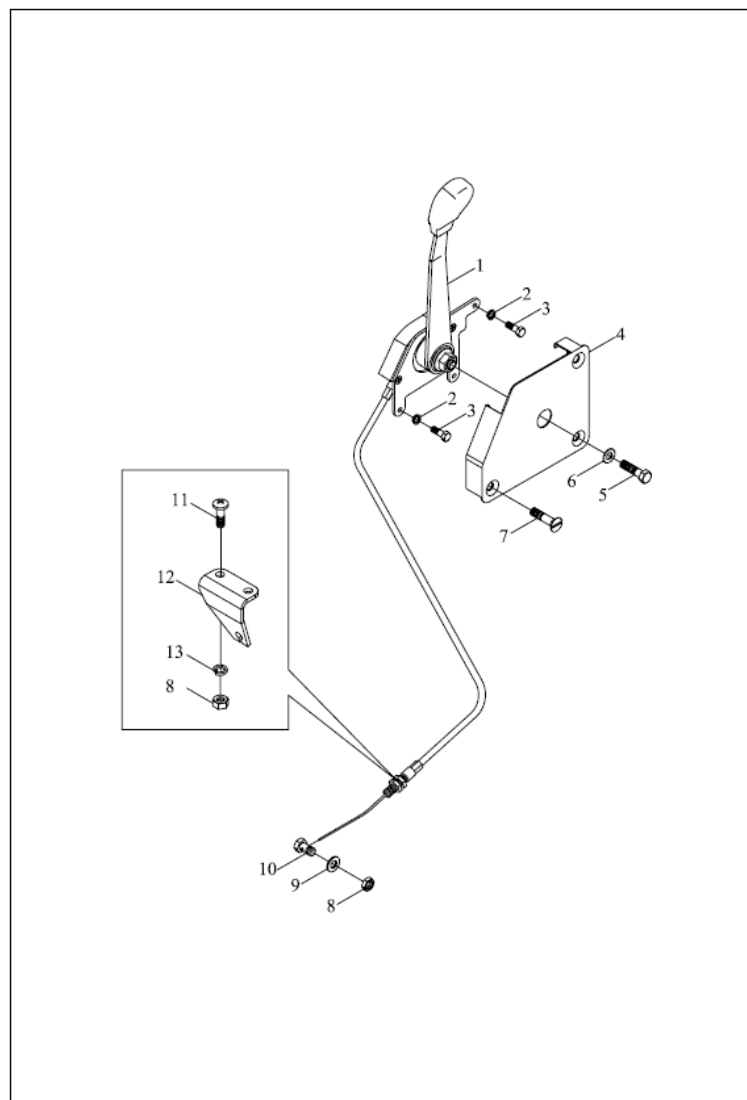
TB500.133A 防护网安装总成



TB500.133A 13.3-防护网安装总成 13.3-GUARD NET INSTALLATION ASSEMBLY

标号 No.	代号 Code	名称 Description		数量 Quantity	备注 Remark
1	GBT6172.1-M6-04-A2L	六角薄螺母	NUT	6	2011-11_
2	GBT95-6-A0P	平垫圈	WASHER	6	2011-11_
3	TB500.133A.1	防护板	GUARD	2	2011-11_
4	GBT5783-M6X12-8.8-A2L	六角头螺栓	BOLT	6	2011-11_

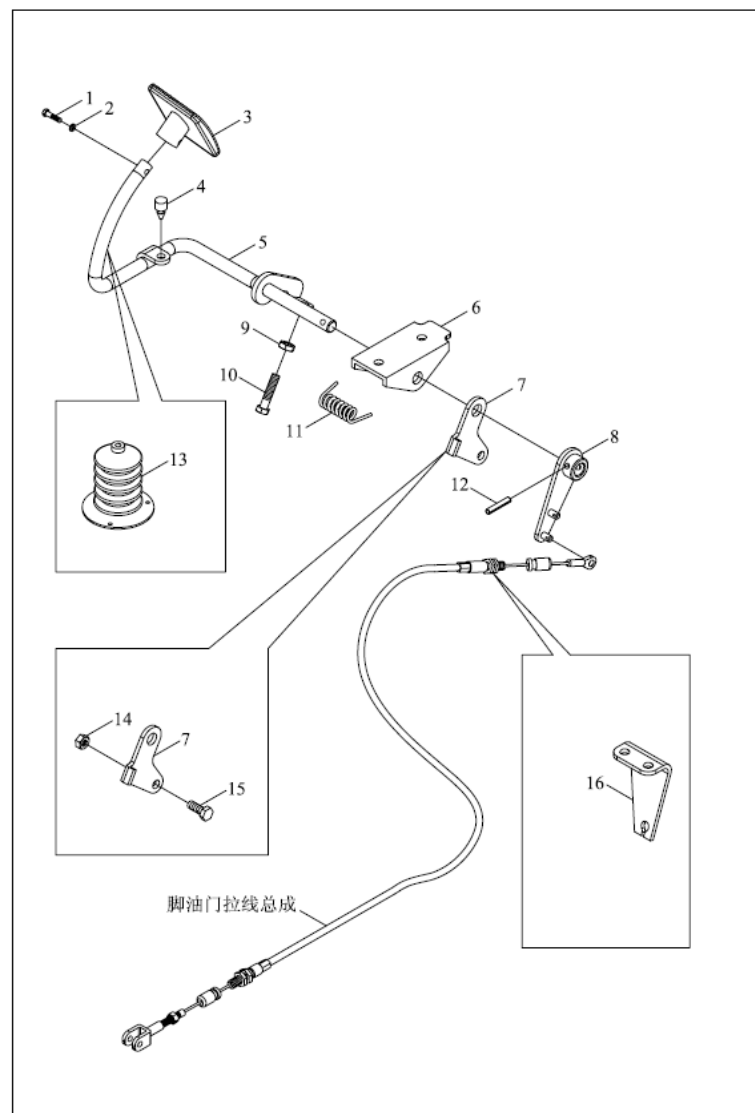
TB400.201F 手油门总成



TB400.201F 20.1-手油门总成 20.1-HAND THROTTLE ASSEMBLY

标号 No.	代号 Code	名称 Description		数量 Quantity	备注 Remark
1	TA700.201-01	手油门总成	HANDLE THROTTLE ASSEMBLY	1	2011-11_
10	FT650.20.133	紧固螺钉	LOCKING SCREW	1	2011-11_
11	GBT818-M8X20-A2L	十字槽盘头螺钉	SCREW	2	2011-11_
11	GBT818-M8×20-A2L	十字槽盘头螺钉	SCREW	2	2011-12_
12	FT300.20.105	手油门拉线支架	PULL WIRE BRACKET OF HAND THROTTLE	1	2004-01_
12	FT300.20.015	手油门拉线支架	PULL WIRE BRACKET OF HAND THROTTLE	1	2010-02_
12	FT300.20.015	手油门拉线支架	PULL WIRE BRACKET OF HAND THROTTLE	1	2010-02_
13	GBT93-8-A0P	垫圈	WASHER	2	2011-11_
2	GBT93-6-A0P	弹簧垫圈	SPRING WASHER	3	2011-11_
3	GBT5781-M6X16-A2L	六角头螺栓	BOLT	3	2011-11_
4	FT700.20.324	手油门盖	HAND THROTTLE COVER	1	2011-11_
5	GBT5780-M10X45-A3L	六角头螺栓	BOLT	1	2011-11_
6	GBT96-10-A0P	垫圈	WASHER	1	2011-11_
7	GBT68-M8X30-A2L	开槽沉头螺钉	SCREW	3	2011-11_
8	GBT6170-M8-A2L	螺母	NUT	3	2011-11_
9	GBT97.1-8-A0P	平垫圈	WASHER	1	2011-11_

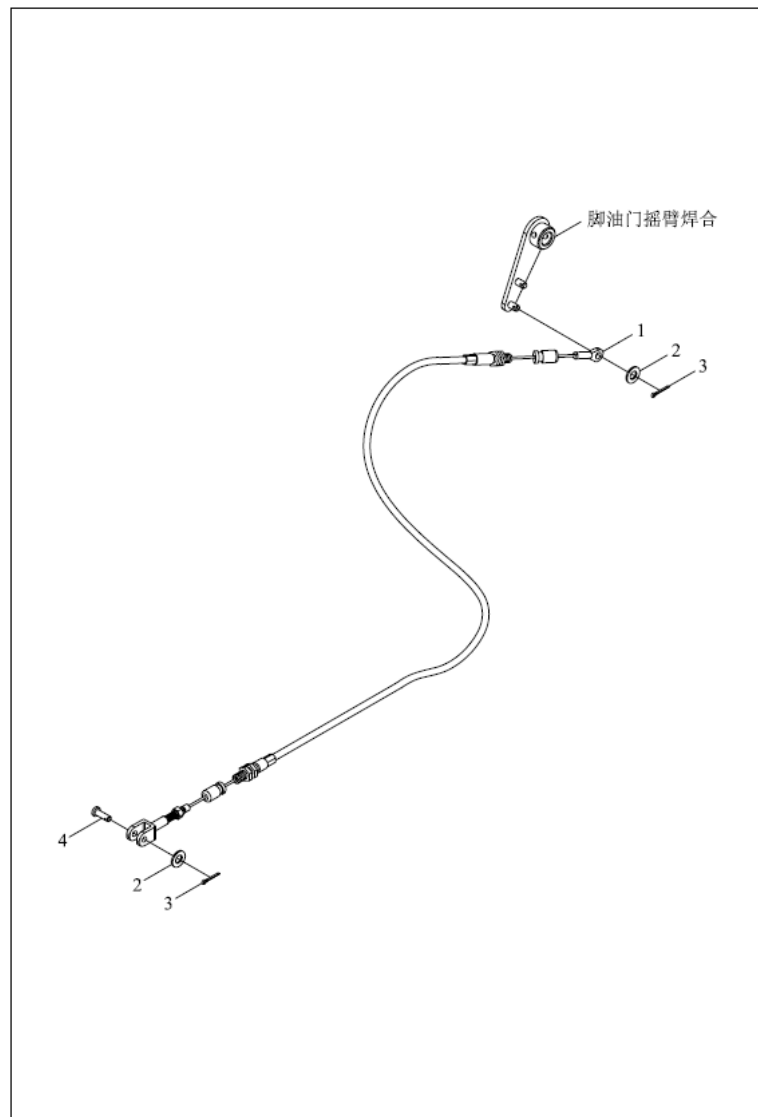
TB400.202G 脚油门总成



TB400.202G 20.2-脚油门总成 20.2-FOOT THRORRLE ASSEMBLY

标号 No.	代号 Code	名称 Description		数量 Quantity	备注 Remark
1	GBT5783-M5X16-A2L	六角头螺栓	BOLT	1	2011-11_
10	GBT5781-M8X45-A2L	六角头螺栓	BOLT	1	2011-11_
11	FT650.20.104	扭簧	TORSION SPRING	1	2011-11_
12	GBT879.1-5X20	弹性圆柱销	PIN	1	2011-11_
13	FT65.45.393	油门踏板密封套	THROTTLE PEDAL SEAL SLEEVE	1	2011-11_
14	GBT6170-M8-A2L	螺母	NUT	1	2011-11_
15	FT650.20.133	紧固螺钉	LOCKING SCREW	1	2011-11_
16	FT300.20.016	脚油门拉线支架焊合	FOOT THROTTLE WIRE BRACKET WELDMENT	1	2011-11_
2	GBT93-5-A0P	标准型弹簧垫圈	WASHER	1	2011-11_
3	TB400.202F-01	脚踏板	FOOT PEDAL	1	2011-11_
4	FT650.20.107	橡胶塞	RUBBER RING	1	2011-11_
5	TB400.202F.1	脚踏板摇臂焊合	FOOT PEDAL ROCKER ARM WELDMENT	1	2011-11_
6	FT650.20.108	油门支架	THROTTLE PEDESTAL	1	2011-11_
7	FT650.20.114	手油门摇臂	HAND THROTTLE ROCKER	1	2011-11_
8	FT300.20.011	脚油门摇臂焊合	FOOT THROTTLE ROCKER ARM WELDMENT	1	2011-11_
9	GBT6172.1-M8-A2L	螺母	NUT	3	2011-11_

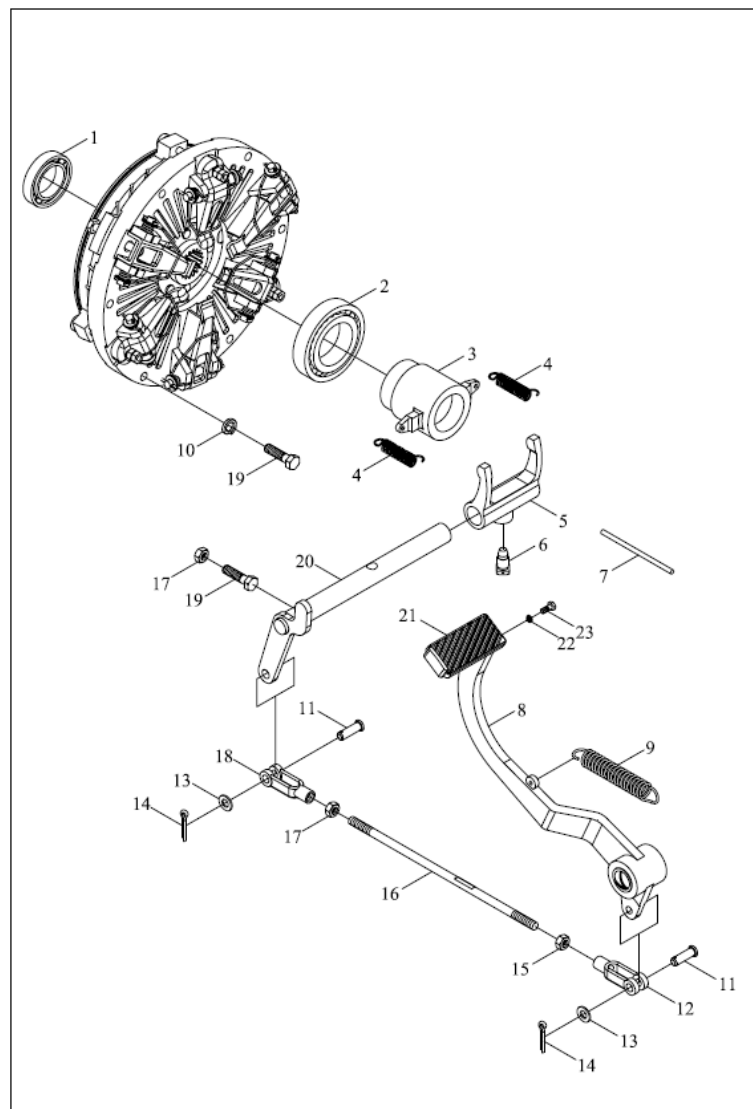
TB400.203D 拉线总成



TB400.203D 20.3-拉线总成 20.3-PULL WIRE ASSEMBLY

标号 No.	代号 Code	名称 Description		数量 Quantity	备注 Remark
1	FT650.20.014	脚油门拉线总成	FOOT THROTTLE WIRE ASSEMBLY	1	2011-11_
2	GBT97.1-5-A0P	垫圈	WASHER	2	2011-11_
3	GBT91-2X12	开口销	PIN	2	2011-11_
4	GBT882-B5X20-A0P	销轴	PIN	1	2011-11_
5	TB400.20C-01	熄火拉线固定孔堵盖	PLUG COVER OF EXTINGUISH WIRE FIXING HOLE	1	2011-09_

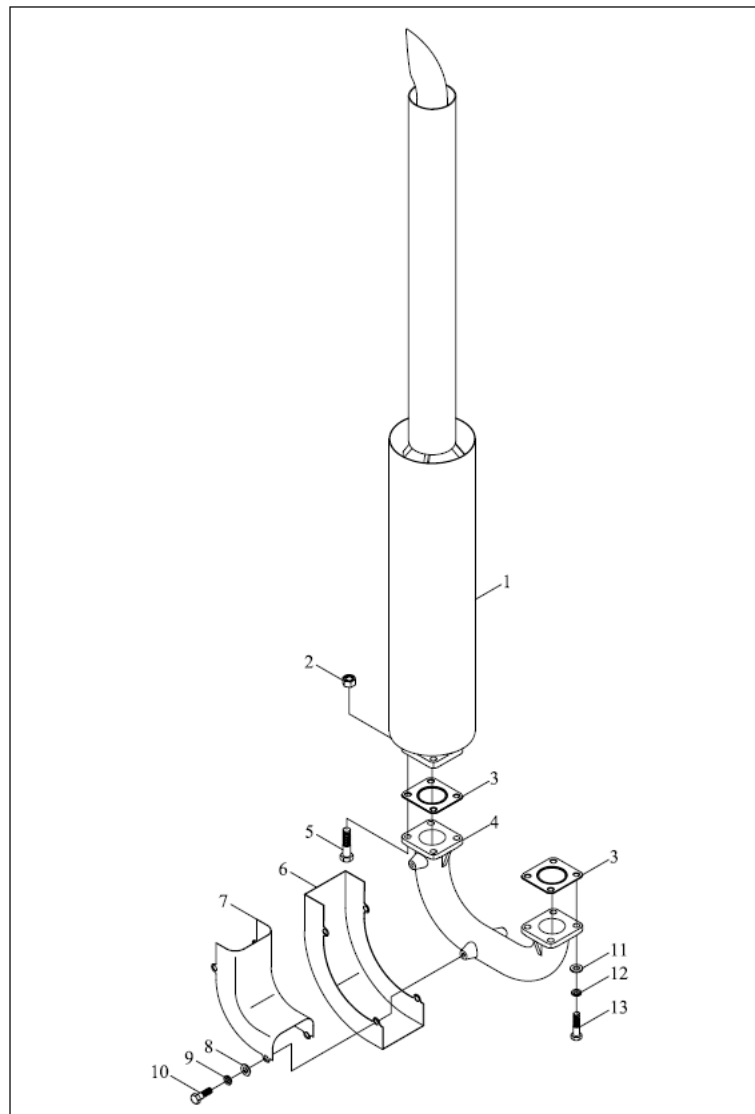
TB504.212 离合器操纵机构总成



TB504.212 21.2-离合器操纵机构总成 21.2-CLUTCH CONTROL MECHANISM ASSEMBLY

标号 No.	代号 Code	名称 Description		数量 Quantity	备注 Remark
1	GBT276-6204-2RS	轴承	BEARING	1	2011-11_
10	GBT93-10-AOP	垫圈	WASHER	6	2011-11_
11	GBT882-B10X28	销轴	PIN	2	2011-11_
12	FT300.43.110	拉杆后叉	PULL ROD REAR FORK	1	2011-11_
13	GBT97.1-10-A0P	平垫圈	WASHER	2	2011-11_
14	GBT91-3.2X16-A0P	开口销	PIN	2	
15	GBT6170-M10-LH-A3L	螺母	NUT	1	2011-11_
16	FT300.21.110	拉杆	PULL ROD	1	2011-11_
17	GBT6170-M10-A3L	螺母	NUT	2	2011-11_
18	FT300.43.108	拉杆前叉	PULL ROD FRONT FORK	1	2011-11_
19	GBT5783-M10X40-8.8-A3L	螺栓	BOLT	7	2011-11_
2	TA800.212-02	推力轴承99 67 13	THRUST BEARING	1	2011-11_
20	FT300.21.013	离合器分离叉轴合件	CLUTCH RELEASE FORK SHAFT UNIT	1	2011-11_
21	TB504.21-01	离合器踏板焊合	CLUTCH PEDAL WELDMENT	1	2011-11_
22	GBT93-6-A0P	弹簧垫圈	SPRING WASHER	2	2011-11_
23	GBT5783-M6x16-A2L	螺栓	BOLT	2	2011-11_
3	FT400.21B.101	分离轴承座	RELEASE BEARING SEAT	1	2011-11_
4	FT300.21.102	推力轴承座回位弹簧	THRUST BEARING SEAT RETURN SPRING	2	2011-11_
5	FT300.21.103	分离拨叉	RELEASE SHIFT FORK	1	2011-11_
6	FT300.21.113	止动螺钉	THRUST SCREW	1	2011-11_
7	TA800.212B-02	低碳钢丝	LOW CARBON STEEL WIRE	1	2011-11_
8	TB504.21.1	离合器踏板体合件	CLUTCH PEDAL BODY UNIT	1	2011-11_
9	FT300.43.130	踏板回位弹簧	PEDAL RETURN SPRING	1	2011-11_

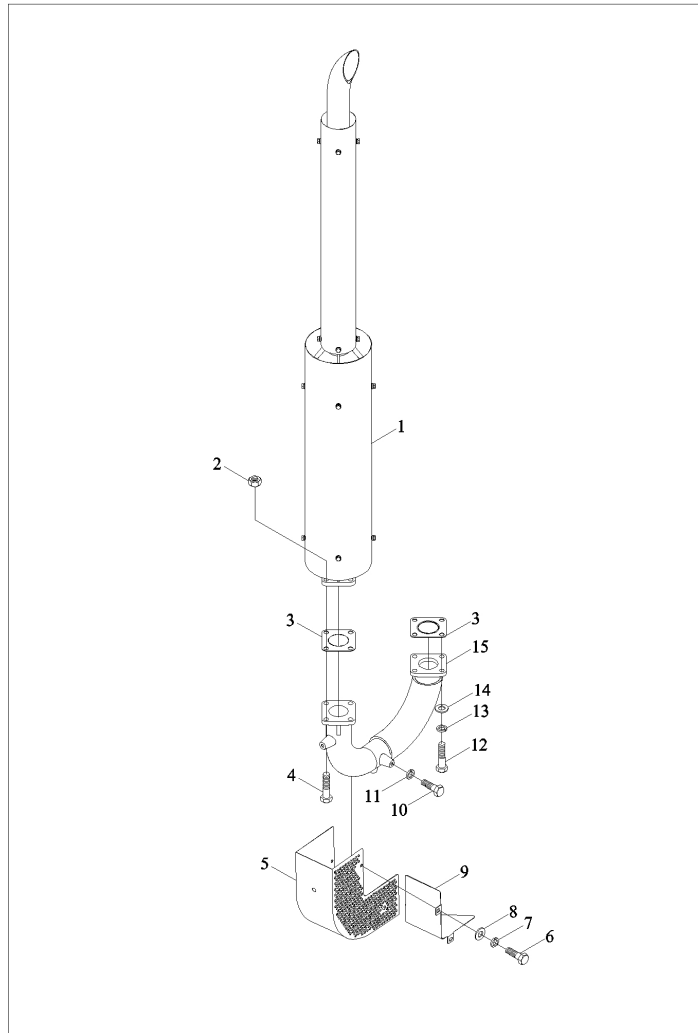
TB600.22B 排气系总成



TB600.22B 22-排气系总成 22-EXHAUST SYSTEM ASSEMBLY

标号 No.	代号 Code	名称 Description		数量 Quantity	备注 Remark
1	TB600.22.1	消声器总成	MUFFLER ASSEMBLY	1	2011-11_
10	GBT5783-M8X20-A2L	螺栓	BOLT	4	2011-11_
11	GBT95-10-A0P	垫圈	WASHER	4	2011-11_
12	GBT93-10-A0P	标准型弹簧垫圈	WASHER	4	2011-11_
13	GBT5783-M10X30-A3L	螺栓	BOLT	4	2011-11_
2	SPL6175PT-M10X1.5-8F3	施必牢2型六角自锁防脱螺母	HEXAGON SELF-LOCKING NUT、STYLE 2	4	2011-11_
3	FT300.22.030	密封垫合件	SEAL GASKET UNIT	2	2011-11_
4	TB550.22A-03	排气弯管	EXHAUST BENDING PIPE	1	2011-11_
5	GBT5783-M10X40-A3L	螺栓	BOLT	4	2011-11_
6	TB550.22A-02	排气管下护网	EXHAUST PIPE LOWER SHIELD NET	1	2011-11_
7	TB550.22A-01	排气管上护网	EXHAUST PIPE UPPER SHIELD NET	1	2011-11_
8	GBT97.1-8-A0P	平垫圈	WASHER	4	2011-11_
9	GBT93-8-A0P	垫圈	WASHER	4	2011-11_

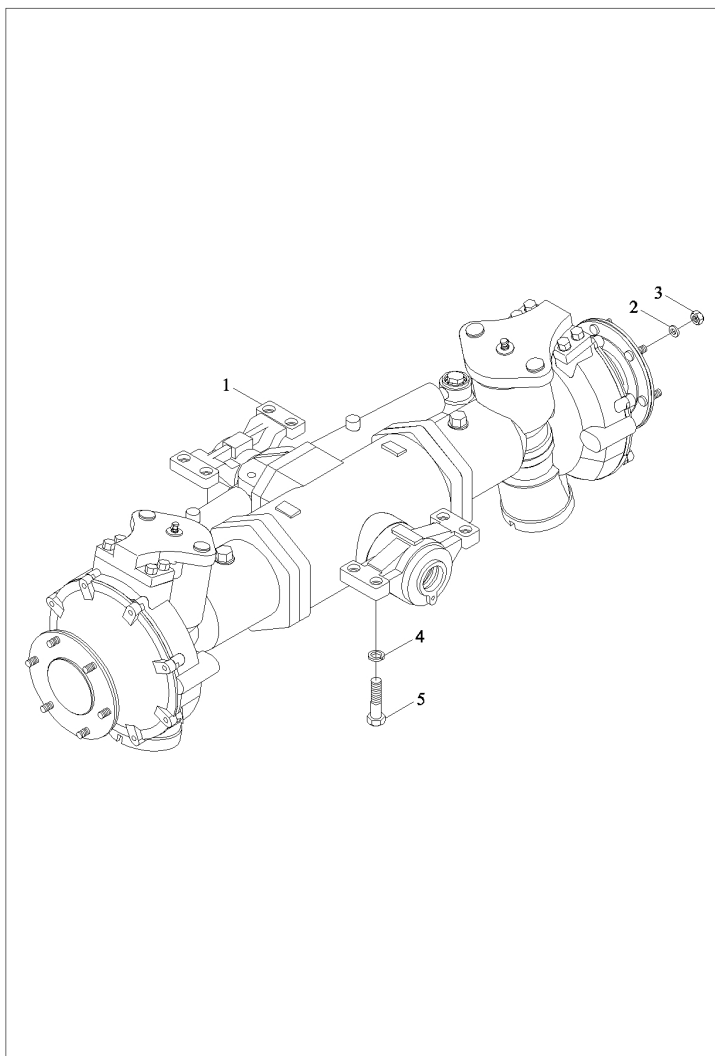
TB400.22E 排气系总成



TB400.22E 22-排气系总成 22-EXHAUST SYSTEM ASSEMBLY

标号 No.	代号 Code	名称 Description	数量 Quantity	备注 Remark
1	TB600.22.1	消声器总成	1	2012-12_
10	GBT5783-M8X16-8.8-A2L	六角头螺栓	3	2013-08_
10	GBT5783-M8 × 16-8.8-A2L	螺栓	3	2012-12_
11	GBT93-8-A0P	垫圈	3	2012-12_
12	GBT5783-M10X30-8.8-A3L	六角头螺栓	4	2013-08_
12	GBT5783-M10 × 30-8.8-A3L	六角头螺栓	4	2012-12_
13	GBT93-10-A0P	标准型弹簧垫圈	4	2012-12_
14	GBT95-10-A0P	垫圈	4	2012-12_
15	TB550.22C-01	排气弯管	1	2013-08_
2	SPL6175PT-M10X1.5-8F3	施必牢2型六角自锁防脱螺母	4	
3	FT300.22.030	密封垫合件	2	2012-12_
4	GBT5783-M10X40-8.8-A3L	螺栓	4	2013-08_
4	GBT5783-M10 × 40-8.8-A3L	六角头螺栓	4	2012-12_
5	TB550.22C.1	下护网焊合	1	
6	GBT5783-M6X12-8.8-A2L	六角头螺栓	3	2013-08_
6	GBT5783-M6 × 12-8.8-A2L	六角头螺栓	3	2012-12_
7	GBT93-6-A0P	弹簧垫圈	3	2012-12_
8	GBT97.1-6-A0P	平垫圈	3	2012-12_
9	TB550.22C-02	上护网焊合	1	

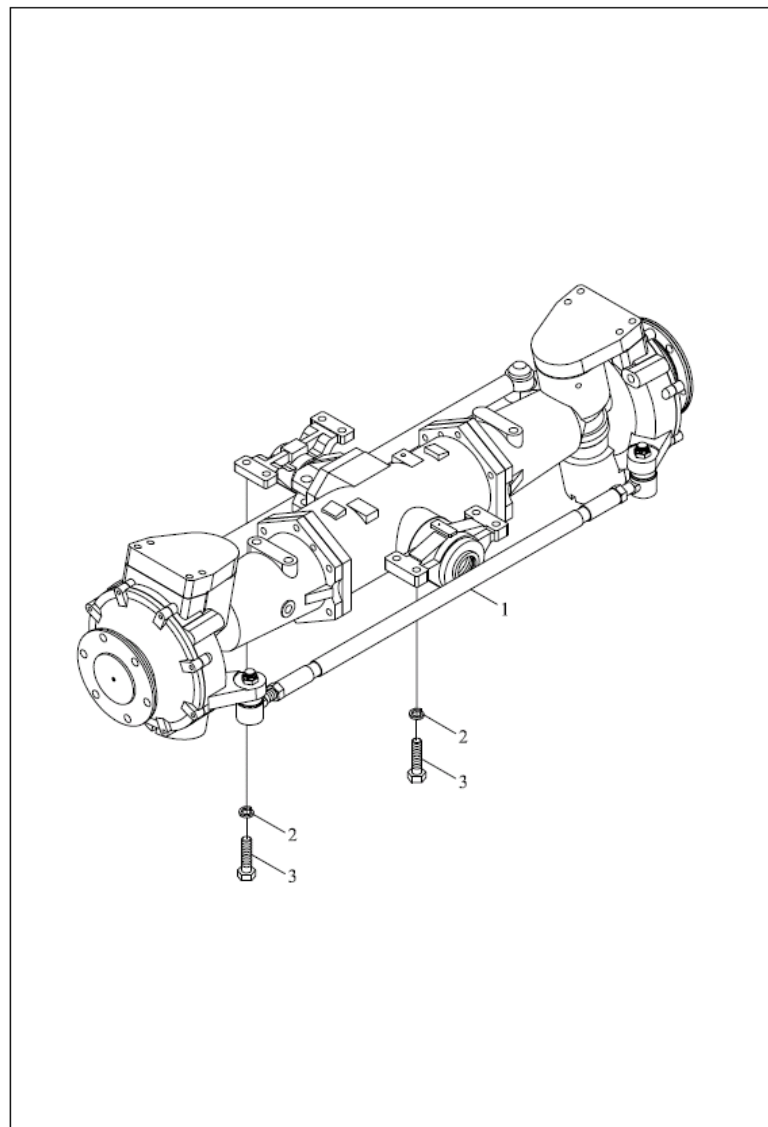
TC02311020000 前驱动桥总成-1



TC02311020000-1 31.1-前驱动桥总成 31.1-FRONT DRIVING AXLE ASSEMBLY

标号 No.	代号 Code	名称 Description		数量 Quantity	备注 Remark
1	TC02311020001	前驱动桥分总成	FRONT DRIVING AXLE SUB-ASSEMBLY	1	2014-04_
2	FT400.31B.103	垫圈	WASHER	12	2014-04_
4	GBT93-14-A0P	弹簧垫圈	SPRING WASHER	8	2014-04_
4	GBT93-14-A0P	弹簧垫圈	SPRING WASHER	8	2014-04_
5	GBT5783-M14X45-10.9-A3L	螺栓	BOLT	8	2014-04_

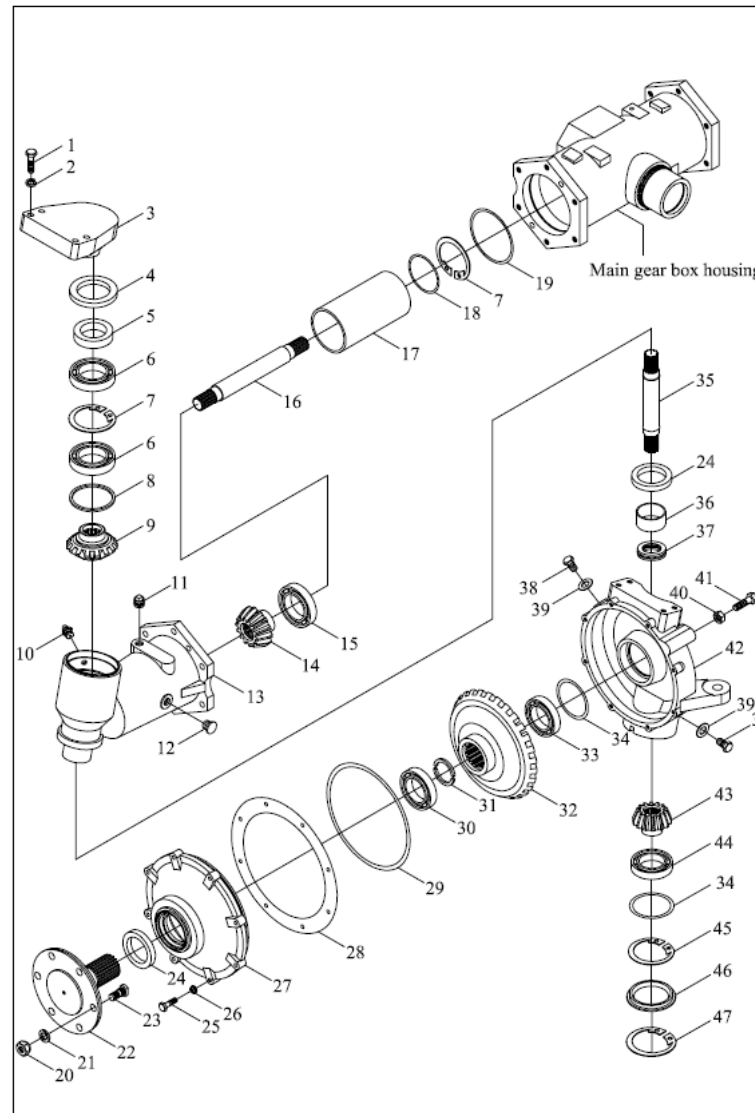
TB504.311 Front driving axle assembly-I



TB504.311-1 31.1.1-前驱动桥总成-1 FRONT DRIVING AXLE ASSEMBLY-1

标号 No.	代号 Code	名称 Description		数量 Quantity	备注 Remark
1	FT304.31F.011	前驱动桥分总成	FRONT DRIVING AXLE SUB-ASSEMBLY	1	2011-11_
2	GBT93-14-A0P	弹簧垫圈	SPRING WASHER	8	2011-11_
2	GBT93-14-A0P	弹簧垫圈	SPRING WASHER	8	2011-11_
3	GBT5783-M14X45-10.9-A3L	螺栓	BOLT	8	2011-11_

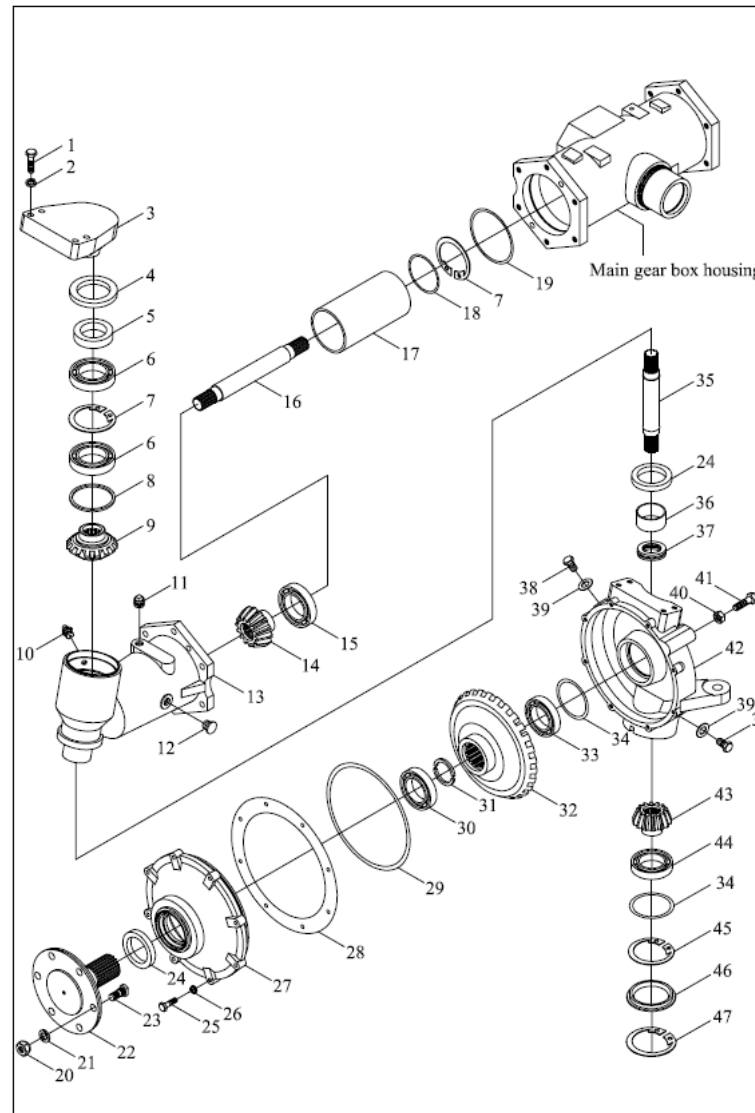
TB504.311Front driving axle assembly-2



TB504.311-2 31.1.2-前驱动桥总成-2 FRONT DRIVING AXLE ASSEMBLY-2

标号 No.	代号 Code	名称 Description	数量 Quantity	备注 Remark
0	FT304.31F.011	前驱动桥分总成	1	2011-11_
1	GBT5783-M12×40-8.8-A3L	六角头螺栓	4	
10	JBT7940.1-M10X1	直通式压注油杯	1	2011-11_
11	QYXF70-Z3/8"	螺塞	1	
12	GBT1160.2-A10	油标	1	2011-11_
13	FT304.31F.121	半轴壳体	1	2011-11_
14	FT304.31F.126	齿轮	1	2011-11_
15	GBT276-6309	深沟球轴承	1	2011-11_
16	FT304.31F.128	花键轴	1	2011-11_
17	FT304.31F.127	套管	1	2011-11_
18	FT304.31F.123	调整垫片	1	2011-11_
19	FT304.31F.130	调整垫片	1	2011-11_
2	GBT93-12	垫圈	4	2011-11_
20	GBT6176-M14X1.5-10-A2L	2型六角螺母	6	2004-01_
21	FT304.31F.205	垫圈	6	2011-11_
22	FT304.31F.117	前驱动轴	1	2011-11_
23	FT304.31F.115	滚花螺栓	6	2011-11_
24	FT304.31F	浮动油封	2	2011-11_
24.1	65*4.8	O形圈	5	2011-11_
25	GBT5783-M8X35	六角头螺栓	8	2011-11_
26	GBT93-8	垫圈8	8	2011-11_
27	FT304.31F.107	端部大盖	1	2011-11_
28	FT304.31F.190	调整垫	1	2011-11_
29	GBT3452.1-236X5.3G	液压气动用O形橡胶密封圈	1	2011-11_
3	FT304.31F.124	连接盖	1	2011-11_

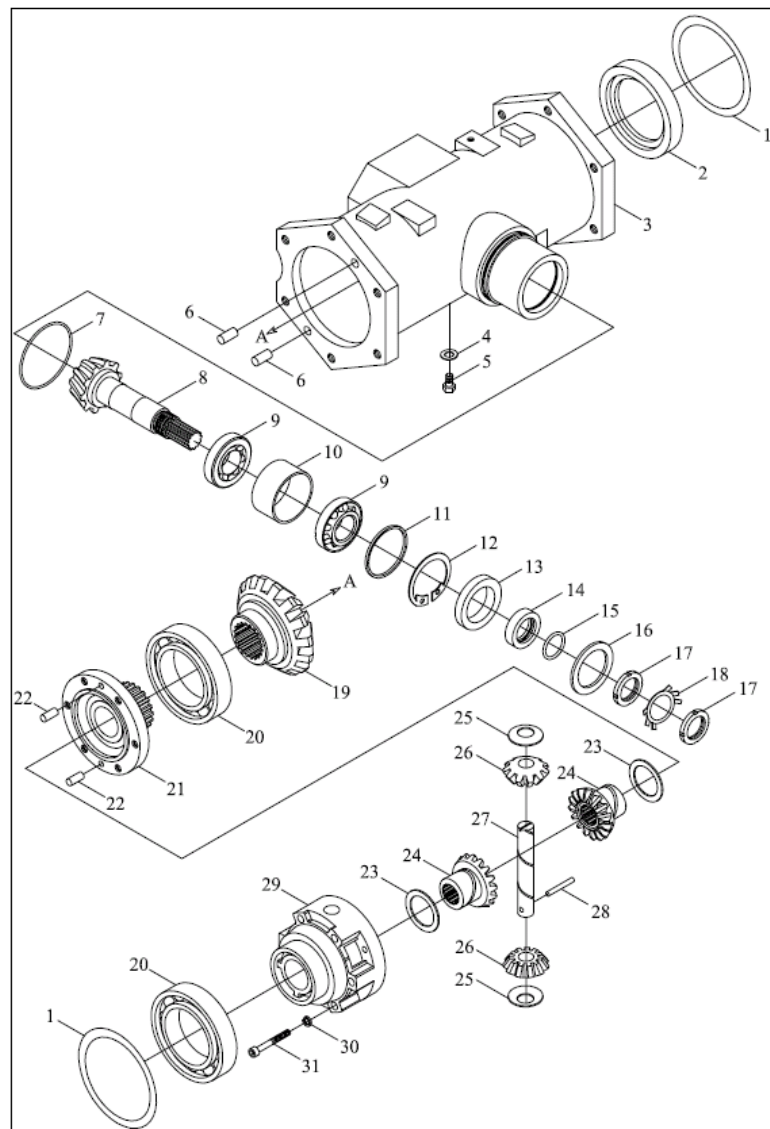
TB504.311Front driving axle assembly-2



TB504.311-2 31.1.2-前驱动桥总成-2(续)

标号 No.	代号 Code	名称 Description		数量 Quantity	备注 Remark
30	GBT276-6310	轴承	BEARING	1	2011-11_
31	FT304.31F.114	挡圈	RETAINER RING	2	2011-11_
32	FT304.31F.108	端部大齿轮	BIG END GEAR	1	2011-11_
33	GBT276-6210	深沟球轴承	BEARING	1	2011-11_
34	FT304.31F.113	调整垫	ADJUSTING GASKET	2	
35	FT304.31F.110	端部花键轴	END SPLINE SHAFT	1	
36	FT304.31F.111	衬套	SLEEVE	1	2011-11_
37	GBT301-51107	轴承	BEARING	1	2011-11_
38	FT304.31F.105	螺塞	SCREW PLUG	2	
38	FT304.31F.105	螺塞	SCREW PLUG	2	
39	FT304.31F.106	垫圈	WASHER	2	2011-11_
4	GBT9877.1-FB80X105X12	内包骨架旋转轴唇形密封	O RING	1	2011-11_
40	GBT6170-M16	螺母	NUT	1	2011-11_
41	GBT5783-M16X50-10.9-A3L	六角头螺栓	BOLT	1	
42	FT304.31F.109	左末端壳体	LEFT END HOUSING	1	2011-11_
43	FT304.31F.112	端部小齿轮	END PINION	1	2011-11_
44	GBT276-6308	深沟球轴承	BEARING	1	2011-11_
45	GBT893.1-90	挡圈90	RETAINER RING	1	2011-11_
46	FT304.31F.022	密封盖	SEAL CAP	1	2011-11_
47	GBT893.1-102	孔用弹性挡圈	SNAP RING	1	2011-11_
5	FT304.31F.125	油封衬套	OIL SEAL BUSH	1	2011-11_
6	GBT276-6013	深沟球轴承	BEARING	2	2011-11_
7	GBT893.1-100	孔用弹性挡圈	SNAP RING	2	2011-11_
8	FT304.31F.188	平垫	WASHER	1	2011-11_
9	FT304.31F.122	齿轮	GEAR	1	2011-11_

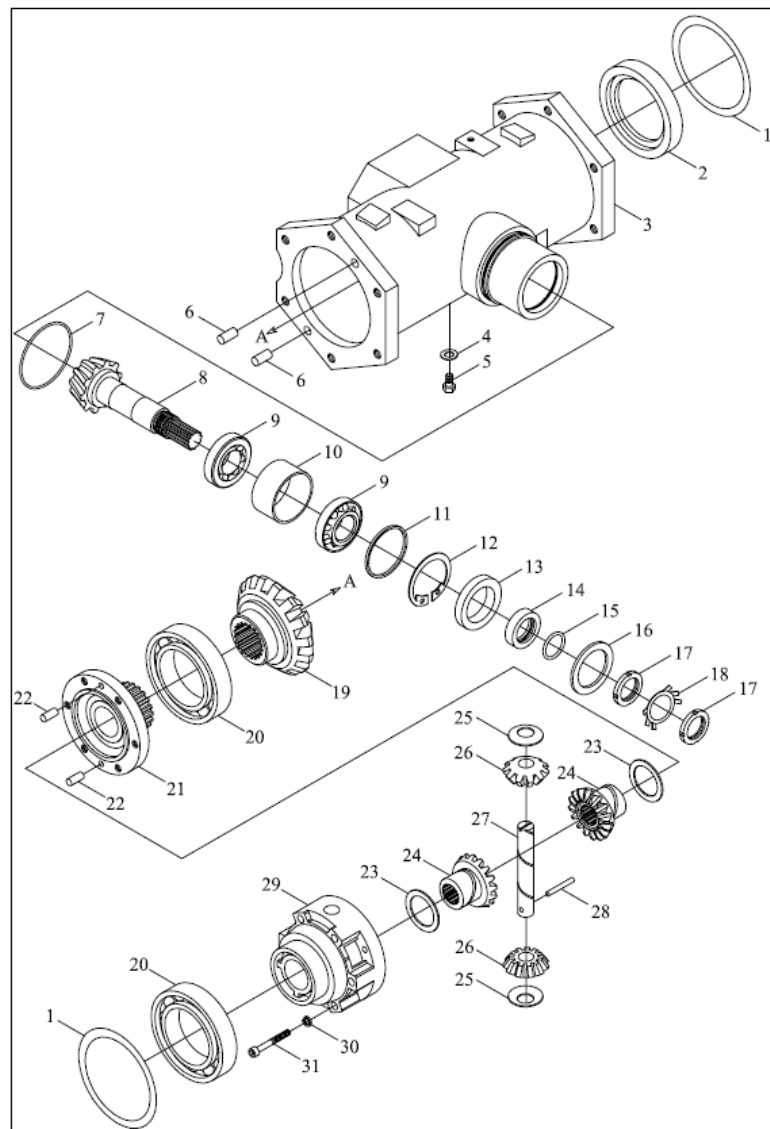
TB504.311 Front driving axle assembly-3



TB504.311-3 31.1.3-前驱动桥总成-3 FRONT DRIVING AXLE ASSEMBLY-3

标号 No.	代号 Code	名称 Description	数量 Quantity	备注 Remark
0	FT304.31F.011	前驱动桥分总成	1	2011-11_
1	GBT3452.1-140X3.5G	液压气动用O形橡胶密封圈	2	2011-11_
10	FT304.31F.132	隔套	1	2011-11_
10	FT304.31F.132	隔套	1	2011-11_
11	FT304.31F.133	调整套	1	2011-11_
12	GBT893.1-72	挡圈	1	2011-11_
13	GBT9877.1-F50X72X8D	内包骨架旋转轴唇形密封	1	2011-11_
14	FT304.31F.134	油封座	1	2011-11_
15	GBT3452.1-34.5X3.55G	液压气动用O形橡胶密封圈	1	2011-11_
16	FT304.31F.104	铜垫	1	2011-11_
17	GBT810-M30X1.5	小圆螺母	2	2011-11_
18	GBT858-30	止退垫圈	1	2011-11_
19	FT304.31F.138	中央传动大螺旋伞齿轮	1	2011-11_
2	FT304.31F.191	定位盘	1	2011-11_
20	GBT276-6216	深沟球轴承	2	2011-11_
21	FT304.31F.137	差速器右壳	1	2011-11_
22	GBT119-B8X20	圆柱销	2	2011-11_
22	GBT119-B8X20	圆柱销	2	2011-11_
23	FT304.31F.139	隔圈	2	2011-11_
24	FT304.31F.144	半轴齿轮	2	2011-11_
25	FT304.31F.140	垫圈	2	2011-11_
26	FT304.31F.143	行星齿轮	2	2011-11_
27	FT304.31F.142	销轴	1	2011-11_
28	FT304.31F.141	止动销	1	2011-11_
29	FT304.31F.136	差速器左壳	1	2011-11_

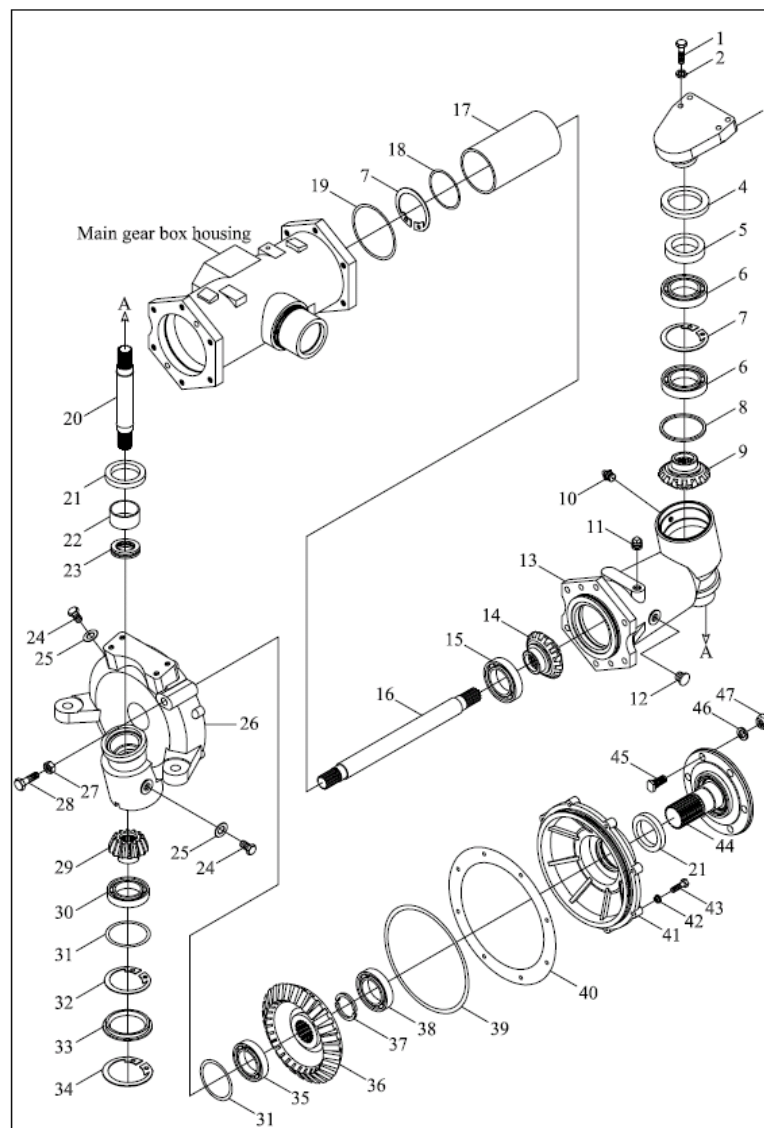
TB504.311 Front driving axle assembly-3



TB504.311-3 31.1.3-前驱动桥总成-3(续)

标号 No.	代号 Code	名称 Description		数量 Quantity	备注 Remark
3	FT304.31F.129	主减速箱壳体	MAIN REDUCER BOX HOUSING	1	2011-11_
30	GBT93-10	垫圈10	WASHER 10	6	2011-11_
31	GBT70-M10X70	内六角圆柱头螺钉	SCREW	6	2011-11_
4	FT304.31F.106	垫圈	WASHER	1	2011-11_
5	FT304.31F.105	螺塞	SCREW PLUG	1	2011-11_
5	FT304.31F.105	螺塞	SCREW PLUG	1	2011-11_
6	GBT119-B12X20	圆柱销	PIN	4	2011-11_
7	GBT3452.1-90X2.65G	液压气动用O形橡胶密封圈	O-SEAL RING	1	2011-11_
8	FT304.31F.131	主动螺旋伞齿轮轴	DRIVING SPIRAL BEVEL GEAR SHAFT	1	2011-11_
9	GBT297-32207	圆锥滚子轴承	BEARING	2	2011-11_

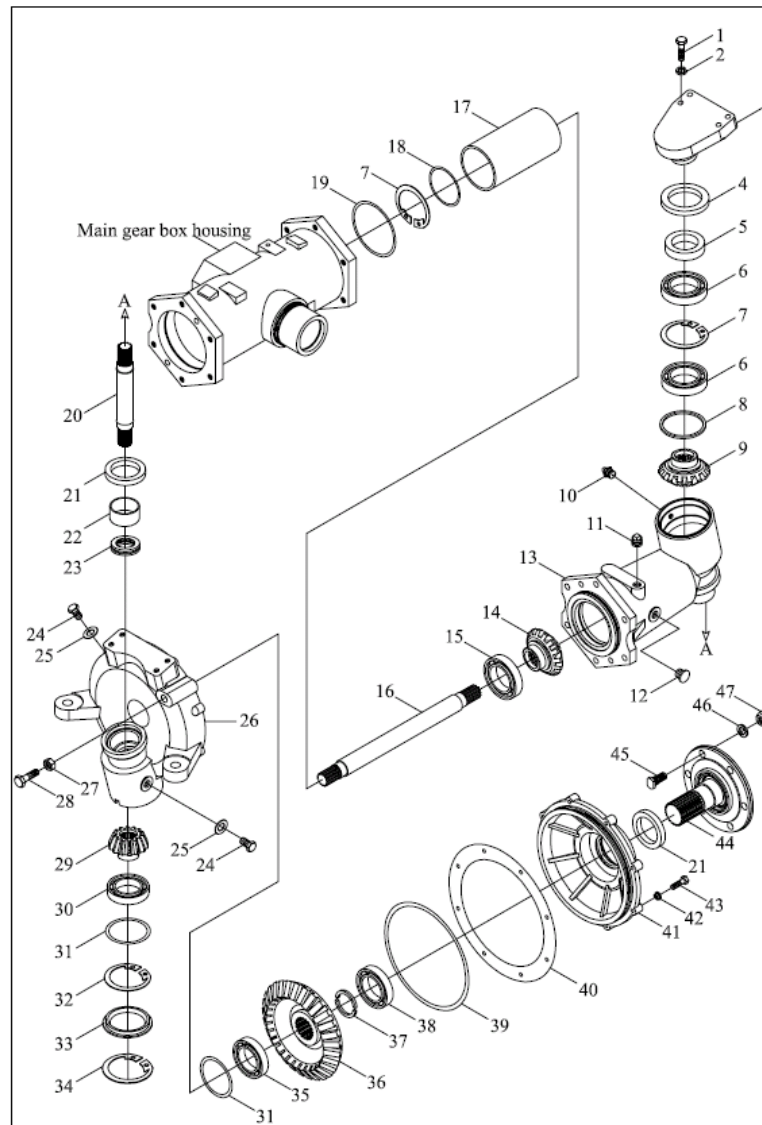
TB504.311Front driving axle assembly-4



TB504.311-4 31.1.4-前驱动桥总成-4 FRONT DRIVING AXLE ASSEMBLY-4

标号 No.	代号 Code	名称 Description	数量 Quantity	备注 Remark
0	FT304.31F.011	前驱动桥分总成	1	2011-11_
1	GBT5783-M12X40-10.9-A3L	六角头螺栓	4	
10	JBT7940.1-M10X1	直通式压注油杯	1	2011-11_
11	GBT70-M8×25	螺钉 M8×25	6	
12	GBT1160.2-A10	油标	1	2011-11_
13	FT304.31F.121	半轴壳体	1	2011-11_
14	FT304.31F.126	齿轮	1	2011-11_
15	GBT276-6309	深沟球轴承	1	2011-11_
16	FT304.31F.145	花键轴	1	2011-11_
17	FT304.31F.127	套管	1	2011-11_
18	FT304.31F.123	调整垫片	1	2011-11_
19	FT304.31F.130	调整垫片	1	2011-11_
2	GBT93-12	垫圈	4	2011-11_
20	FT304.31F.110	端部花键轴	1	2011-11_
21	FT304.31F	浮动油封	2	2011-11_
22	FT304.31F.111	衬套	1	2011-11_
23	GBT301-8107	推力球轴承	1	2011-11_
24	FT304.31F.105	螺塞	2	2011-11_
24	FT304.31F.105	螺塞	2	2011-11_
25	FT304.31F.106	垫圈	2	2011-11_
26	FT304.31F.146	右末端壳体	1	2011-11_
27	GBT6170-M16	螺母	1	2011-11_
28	QJ554.31.144B	调整垫	999	2011-11_
29	FT304.31F.112	端部小齿轮	1	2011-11_
3	FT304.31F.124	连接盖	1	2011-11_

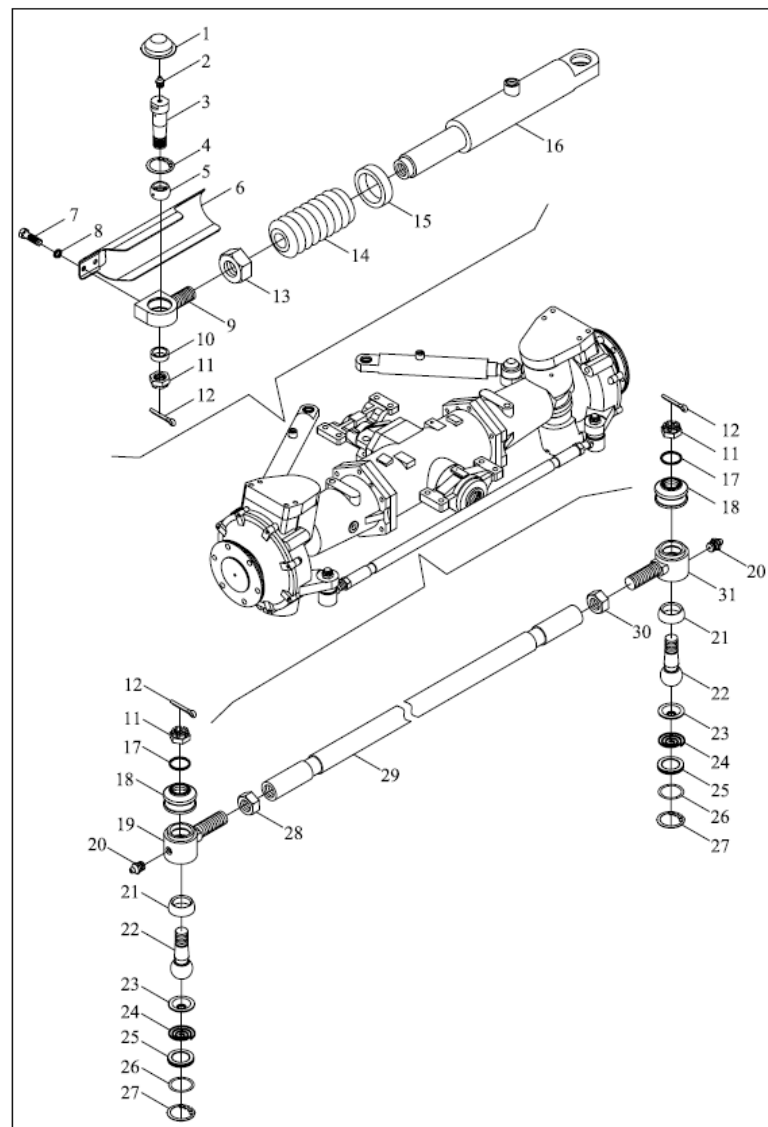
TB504.311Front driving axle assembly-4



TB504.311-4 31.1.4-前驱动桥总成-4(续)

标号 No.	代号 Code	名称 Description		数量 Quantity	备注 Remark
30	GBT276-6308	深沟球轴承	BEARING	1	2011-11_
31	FT304.31F.113	调整垫	ADJUSTING GASKET	2	2011-11_
32	GBT893.1-90	挡圈90	RETAINER RING	1	2011-11_
33	FT304.31F.022	密封盖	SEAL CAP	1	2011-11_
34	GBT893.1-102	孔用弹性挡圈	SNAP RING	1	2011-11_
35	GBT276-6210	深沟球轴承	BEARING	1	2011-11_
36	FT304.31F.108	端部大齿轮	BIG END GEAR	1	2011-11_
37	FT304.31F.114	挡圈	RETAINER RING	2	2011-11_
38	GBT276-6310	轴承	BEARING	1	2011-11_
39	GBT3452.1-236X5.3G	液压气动用O形橡胶密封圈	O-SEAL RING	1	2011-11_
4	GBT9877.1-FB80X105X12	内包骨架旋转轴唇形密封	O RING	1	2011-11_
40	FT304.31F.190	调整垫	ADJUSTING GASKET	1	2011-11_
41	FT304.31F.107	端部大盖	BIG END COVER	1	2011-11_
42	GBT93-8	垫圈8	WASHER 8	8	2011-11_
43	GBT5783-M8X35	六角头螺栓	BOLT	8	2011-11_
44	FT304.31F.117	前驱动轴	FRONT DRIVING SHAFT	1	2011-11_
45	FT304.31F.115	滚花螺栓	BOLT	6	2011-11_
46	FT304.31F.205	垫圈	WASHER	6	2011-07_
47	GBT6176-M14X1.5	螺母14X1.5	NUT	6	
5	FT304.31F.125	油封衬套	OIL SEAL BUSH	1	2011-11_
6	GBT276-6013	深沟球轴承	BEARING	2	2011-11_
7	GBT893.1-100	孔用弹性挡圈	SNAP RING	2	2011-11_
8	FT304.31F.188	平垫	WASHER	1	2011-11_
9	FT304.31F.122	齿轮	GEAR	1	2011-11_

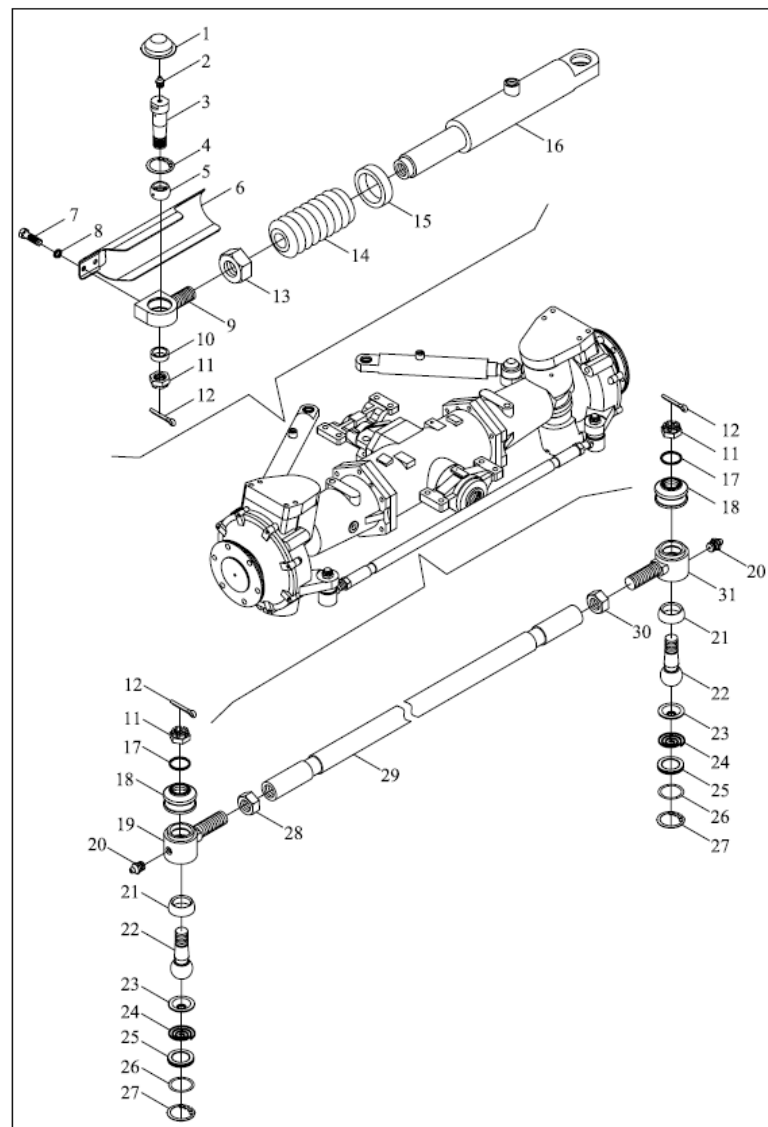
TB504.311 前驱动桥总成-5



TB504.311-5 31.1.5-前驱动桥总成-5 FRONT DRIVING AXLE ASSEMBLY-5

标号 No.	代号 Code	名称 Description		数量 Quantity	备注 Remark
.1	FT304.31F.036	左油缸球头总成	LEFT CYLINDER JOINT ASSEMBLY	1	2011-11_
.1	FT304.31F.036	左油缸球头总成	LEFT CYLINDER JOINT ASSEMBLY	1	2011-11_
.2	FT304.31F.037	右油缸球头总成	RIGHT OIL CYLINDER JOINT ASSEMBLY	1	2011-11_
.3	FT304.31F.033	右转向球头总成	STEERING BALL HEAD ASSY、 RIGHT	1	2011-11_
.4	FT304.31F.032	左转向球头总成	STEERING BALL HEAD ASSY、 LEFT	1	2011-11_
1	FT304.31F.160	防尘帽	DUSTPROOF CAP	2	2011-11_
10	FT304.31F.167	隔套	SPACER BUSH	2	2011-11_
11	FT304.31F.168	六角开槽螺母	HEXAGON SLOTTED NUT	4	2011-11_
12	GBT91	开口销 3.2 × 25	COTTER PIN 3.2 25	4	
13	GBT6173-M20X1.5	六角薄螺母	NUT	2	2011-11_
14	FT304.31F.027	防尘皮套	DUSTPROOF LEATHER SLEEVE	2	2011-11_
15	Q50MZ3040-50	管箍	PIPE HOOP	2	2011-11_
16	FT304.31F.019a	液压缸	HYDRAULIC CYLINDER	2	2011-11_
17	FT304.31F.184	卡簧	CIRCLIP	2	2011-11_
18	FT304.31F.026A	防尘皮	DUSTPROOF POCKET	2	2010-07_
19	FT304.31F.174A	左球头销座	LEFT BALL PIN SEAT	1	2011-11_
2	JBT7940.1-M6X1	油杯	OIL CUP	2	2011-11_
2	JBT7940.1-M6X1	油杯	OIL CUP	2	2011-11_
20	JBT7940.1-M6X1	油杯	OIL CUP	2	2011-11_
20	JBT7940.1-M6X1	油杯	OIL CUP	2	2011-11_
21	804.31.151	球头销座	BALL HEAD PIN SEAT	2	2011-11_
22	FT304.31F.177A	球头销	BALL PIN	2	2010-07_
23	8004.31.153	球头销盖	BALL PIN COVER	2	2011-11_
24	8004.31.154	弹簧	SPRING	2	2011-11_
25	FT304.31F.187	压盖	PRESSURE COVER	2	2011-11_

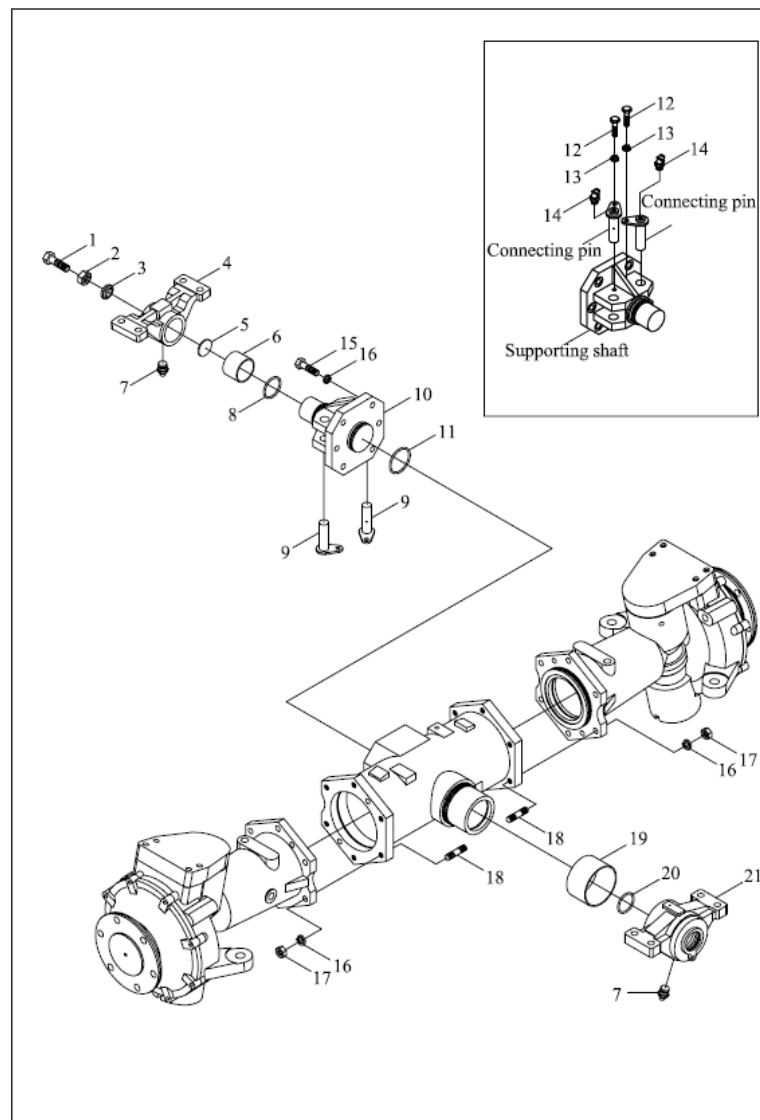
TB504.311 前驱动桥总成-5



TB504.311-5 31.1.5-前驱动桥总成-5(续)

标号 No.	代号 Code	名称 Description		数量 Quantity	备注 Remark
26	GBT3452.1-33.5X1.8G	液压气动用O形橡胶密封圈	O-SEAL RING	1	2011-11_
27	GBT893.1-37	孔用弹性挡圈	SNAP RING	2	2011-11_
28	GBT6171-M20X1.5-LH	1型六角螺母	NUT	1	
29	FT304.31F.175	拉杆	PULL ROD	1	2011-11_
3	FT304.31F.165a	固定销	FIXING PIN	2	2011-11_
30	GBT6171-M20X1.5	1型六角螺母	NUT	1	2011-11_
31	FT304.31F.176A	右球头销座	RIGHT BALL PIN SEAT	1	
4	GBT893.1-35	挡圈	RETAINER RING	2	2011-11_
5	GBT9163-GE20ES	向心关节轴承	BEARING	2	2011-11_
6	FT304.31F.185	左护板	LEFT GUARD PLATE	1	2011-11_
6.1	FT304.31F.186	右护板	RIGHT GUARD PLATE	1	
7	GBT5783-M8X16	螺栓	BOLT	4	2011-11_
8	GBT93-8	垫圈8	WASHER 8	4	2011-11_
9	FT304.31F.195	左活塞杆耳环	EAR RING OF LEFT PISTON ROD	1	2011-11_
9.1	FT304.31F.196	右活塞杆耳环	RIGHT PISTON ROD EAR RING	1	

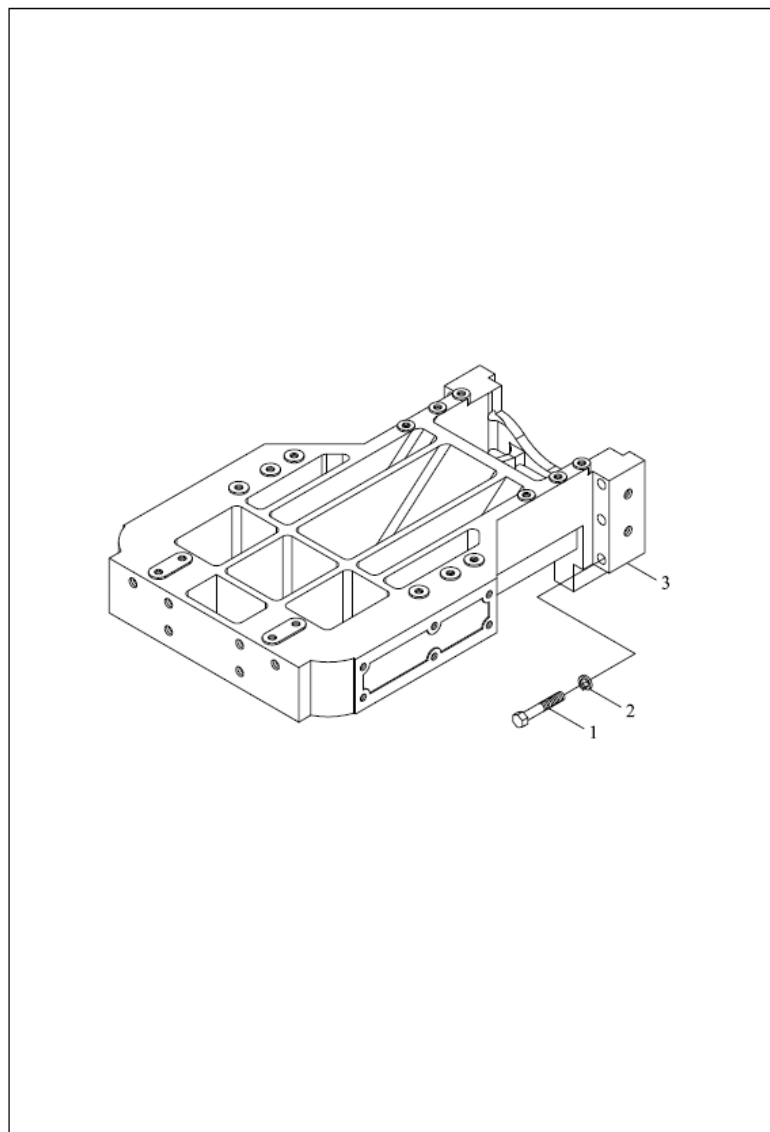
TB504.311Front driving axle assembly-6



TB504.311-6 31.1.6-前驱动桥总成-6 FRONT DRIVING AXLE ASSEMBLY-6

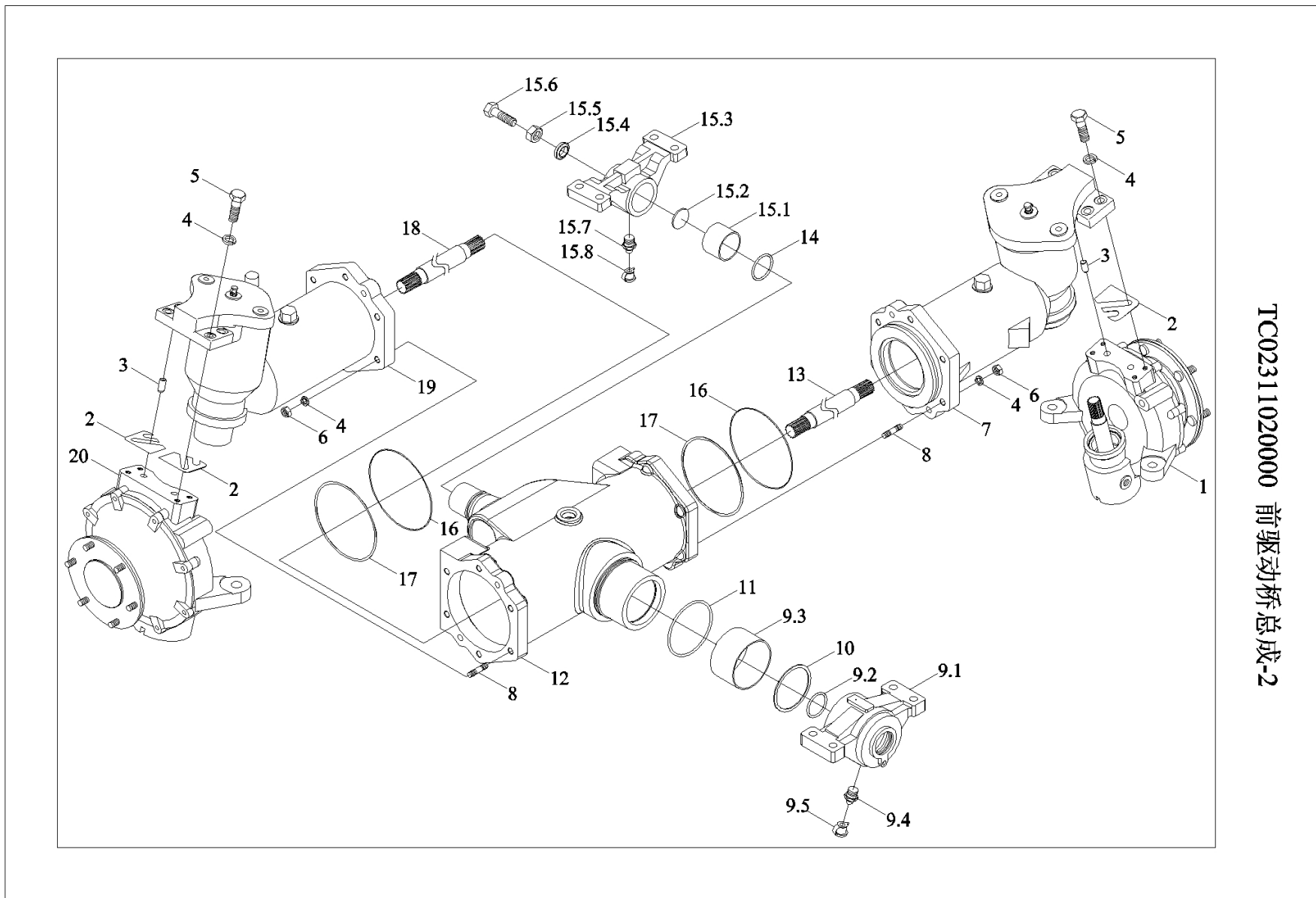
标号 No.	代号 Code	名称 Description		数量 Quantity	备注 Remark
0	FT304.31F.011	前驱动桥分总成	FRONT DRIVING AXLE SUB-ASSEMBLY	1	2011-11_
1	GBT5783-M16X40-8.8-A3L	六角头螺栓	BOLT	1	2011-11_
10	FT304.31F.147	支撑轴	SHAFT	1	2011-11_
11	GBT3452.1-58X3.55G	液压气动用O形橡胶密封圈	O-SEAL RING	1	2011-11_
12	GBT5783-M8X20-Zn.D	六角头螺栓	BOLT	2	
13	GBT93-8	垫圈8	WASHER 8	2	2011-11_
14	GBT7940.2-M8X1	油杯	OIL CUP	2	2011-11_
15	GBT5783-M12X40-10.9	六角头螺栓全螺纹	BOLT	6	
16	GBT93-12	垫圈	WASHER	18	2011-11_
17	GBT6170-M12	螺母	NUT	12	2011-11_
18	GBT900-AM12X40-8.8-Zn.D	双头螺柱	8.8-A3L STUD	12	2011-11_
19	FT304.31F.156	滑动轴承	SLIDING BEARING	1	2011-11_
2	GBT6170-M16	螺母	NUT	1	2011-11_
20	GBT3452.1-45X3.55G	液压气动用O形橡胶密封圈	O-SEAL RING	1	2011-11_
21	FT304.31F.155	后支撑轴座	REAR SUPPORTING SHAFT SEAT	1	2011-11_
3	FT304.31F.025	密封垫	SEAL GASKET	1	2011-11_
4	FT304.31F.149	前支撑轴座	FRONT SUPPORT SHAFT SEAT	1	2011-11_
5	FT304.31F.150	垫片	WASHER	1	2011-11_
6	FT304.31F.148	滑动轴承	SLIDING BEARING	1	2011-11_
7	GBT7940.1-M8X1	油杯	OIL CUP	2	2011-11_
8	GBT3452.1-47.5X3.55G	液压气动用O形橡胶密封圈	O-SEAL RING	1	2011-11_
9	FT304.31F.024	连接销	CONNECTING PIN	2	2011-11_

TB554.312Front tray assembly



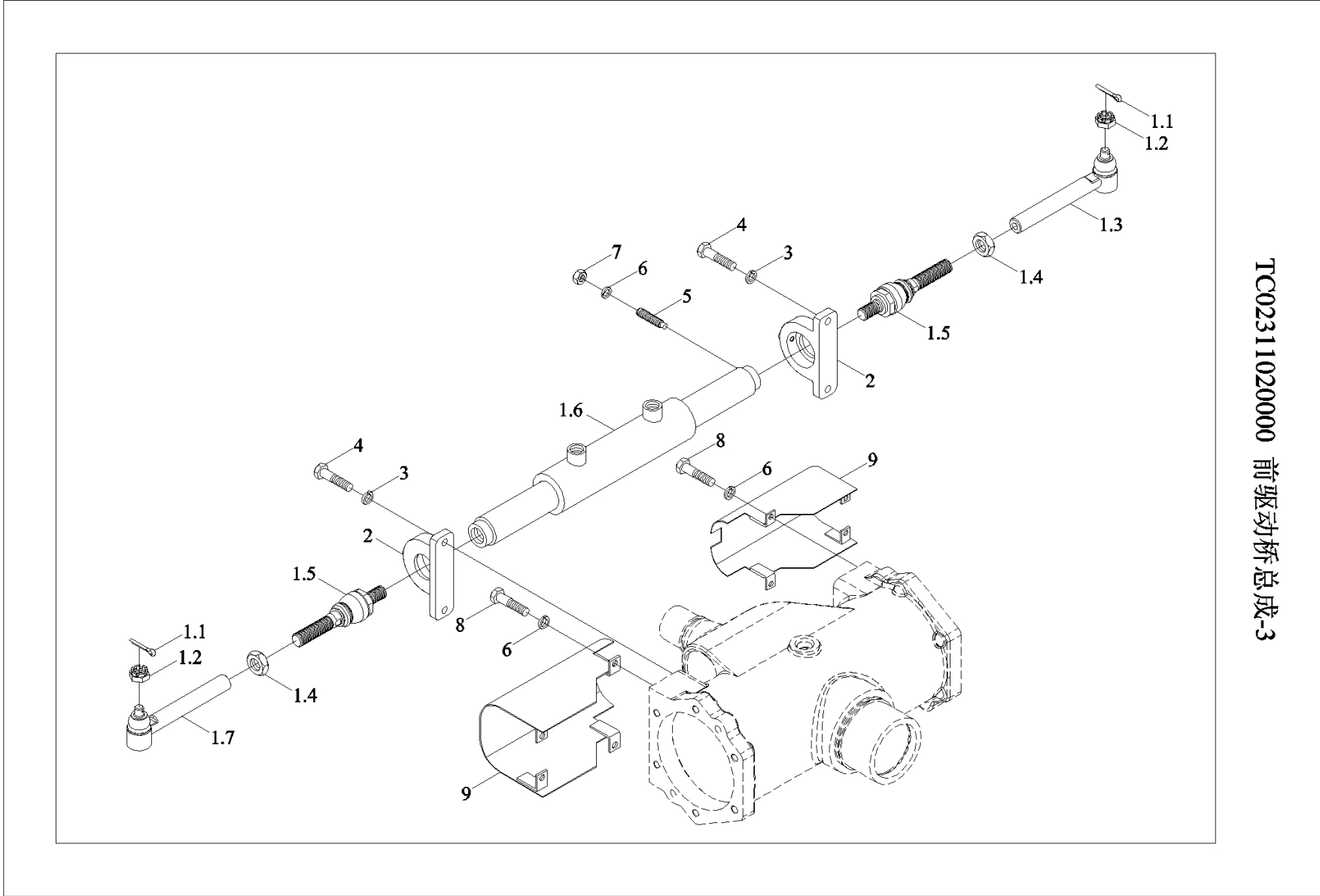
TB554.312 31.2-前托架总成 31.2-FRONT BRACKET ASSEMBLY

标号 No.	代号 Code	名称 Description		数量 Quantity	备注 Remark
1	GBT5782-M16X110-10.9-A2L	六角头螺栓	BOLT	6	2011-11_
2	GBT93-16-A0P	弹簧垫圈	SPRING WASHER	6	2011-11_
3	TB554.312-01	前托架	FRONT BRACKET	1	2011-11_



TC02311020000-2 31.2-前驱动桥总成 FRONT DRIVING AXLE ASSEMBLY

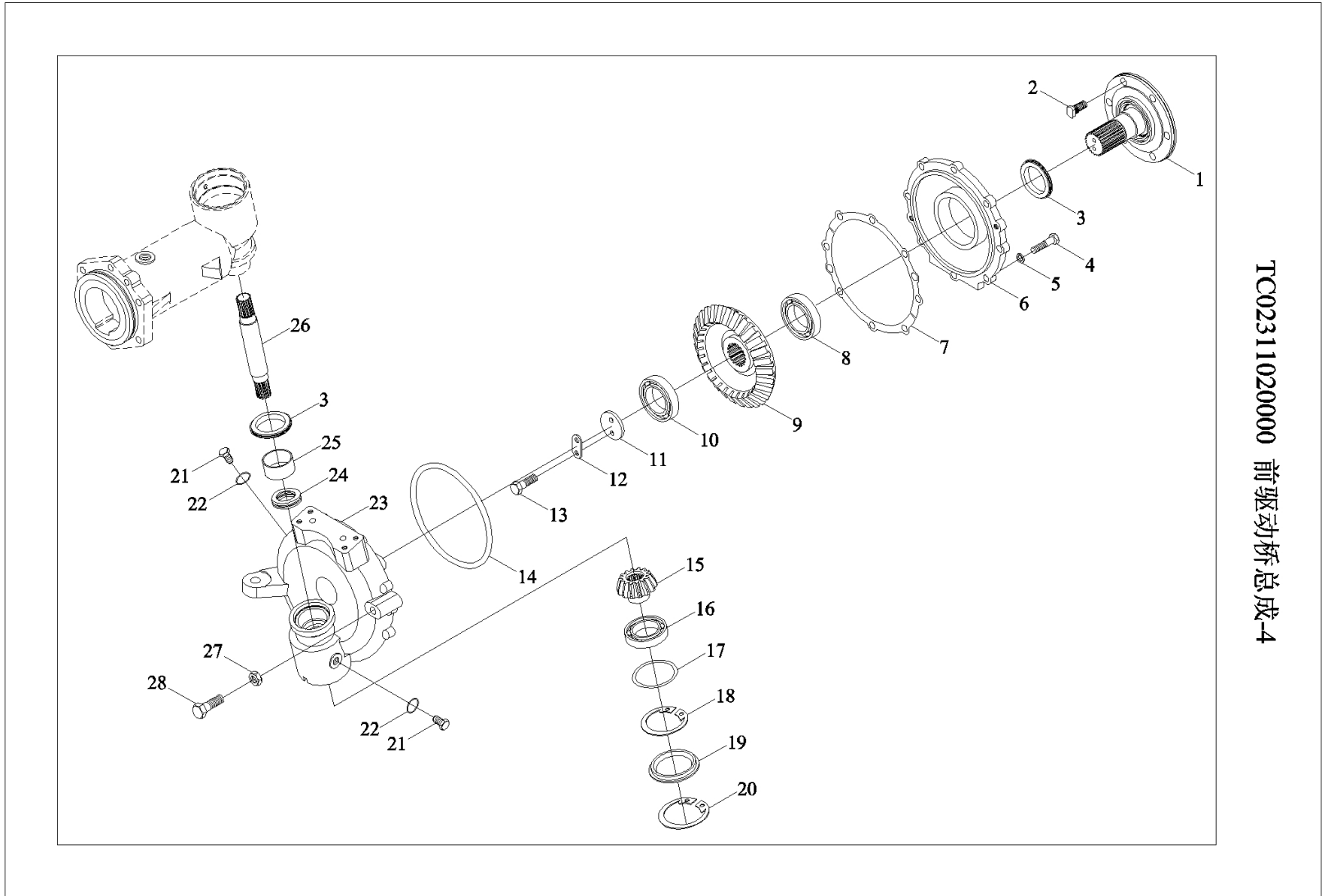
标号 No.	代号 Code	名称 Description		数量 Quantity	备注 Remark
11	GBT3452.1-97.5X3.55G	液压气动用O形橡胶密封圈	O-SEAL RING	1	2014-04_
15.2	TC02311010067	垫片	WASHER	1	2014-04_
15.5	GBT6170-M16-8-A3L	1型六角螺母	NUT	1	2014-04_
15.6	GBT5783-M16X50-8.8-A3L	六角头螺栓	BOLT	1	2014-04_
17	TC02311010081	调整垫片	ADJUSTING WASHER	999	2014-04_
2	TC02311010012	调整垫	ADJUSTING GASKET	999	2014-04_
3	GBT119.1-12m6X22-A0P	圆柱销	PIN	1	2014-04_
4	GBT93-12-A0P	弹簧垫圈	SPRING WASHER	24	2014-04_
5	GBT5783-M12X40-10.9-A3L	六角头螺栓	BOLT	8	2014-04_
6	GBT6170-M12-10-A3L	1型六角螺母	NUT	12	2014-04_
8	GBT899-GM12-M12X40-10.9-A3L	双头螺柱	8.8-A3L STUD	12	2014-04_
9.2	GBT3452.1-45X3.55G	液压气动用O形橡胶密封圈	O-SEAL RING	1	2014-04_
9.4	JB/T 7940.1-M10X1	油杯	OIL CUP	1	2014-04_
9.5	TD800.311C.1-01	油杯防尘帽	DUSTPROOF CAP OF OIL CUP	1	2014-04_
9.5	TD800.311C.1-01	油杯防尘帽	DUSTPROOF CAP OF OIL CUP	1	2014-04_



TC02311020000 前驱动桥总成-3

TC02311020000-3 31.3-前驱动桥总成 FRONT DRIVING AXLE ASSEMBLY

标号 No.	代号 Code	名称 Description		数量 Quantity	备注 Remark
1.1	GBT91-3.2X40-A0P	开口销	PIN	2	2014-04_
1.2	TC02311010075	六角开槽螺母	HEXAGON SLOTTED NUT	2	2014-04_
1.4	GBT6173-M22X1.5-05-A3L	六角薄螺母	NUT	2	
3	GBT93-12-A0P	弹簧垫圈	SPRING WASHER	24	2014-04_
4	GBT5783-M12X35-10.9-A3L	六角头螺栓	BOLT	4	2014-04_
6	GBT93-8-A0P	垫圈	WASHER	10	2014-04_
7	GBT6170-M8-8-A2L	I型六角螺母	I-TYPE HEXAGON NUT	2	2014-04_
8	GBT5783-M8X16-8.8-A2L	六角头螺栓	BOLT	8	2014-04_

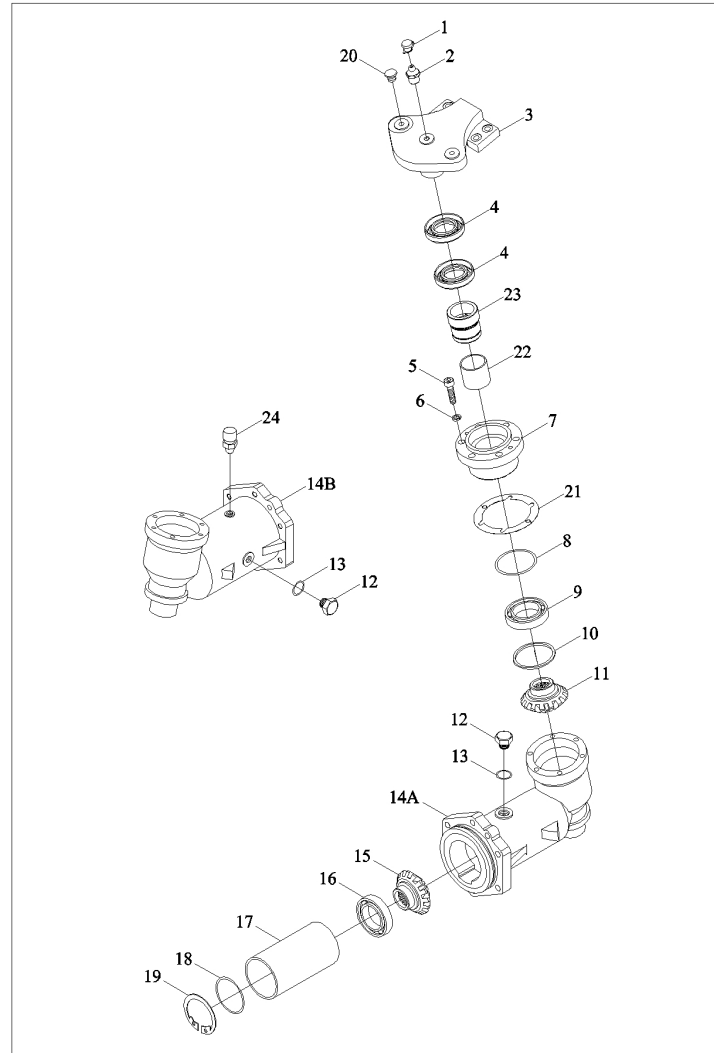


TC02311020000 前驱动桥总成-4

TC02311020000-4 31.4-前驱动桥总成 FRONT DRIVING AXLE ASSEMBLY

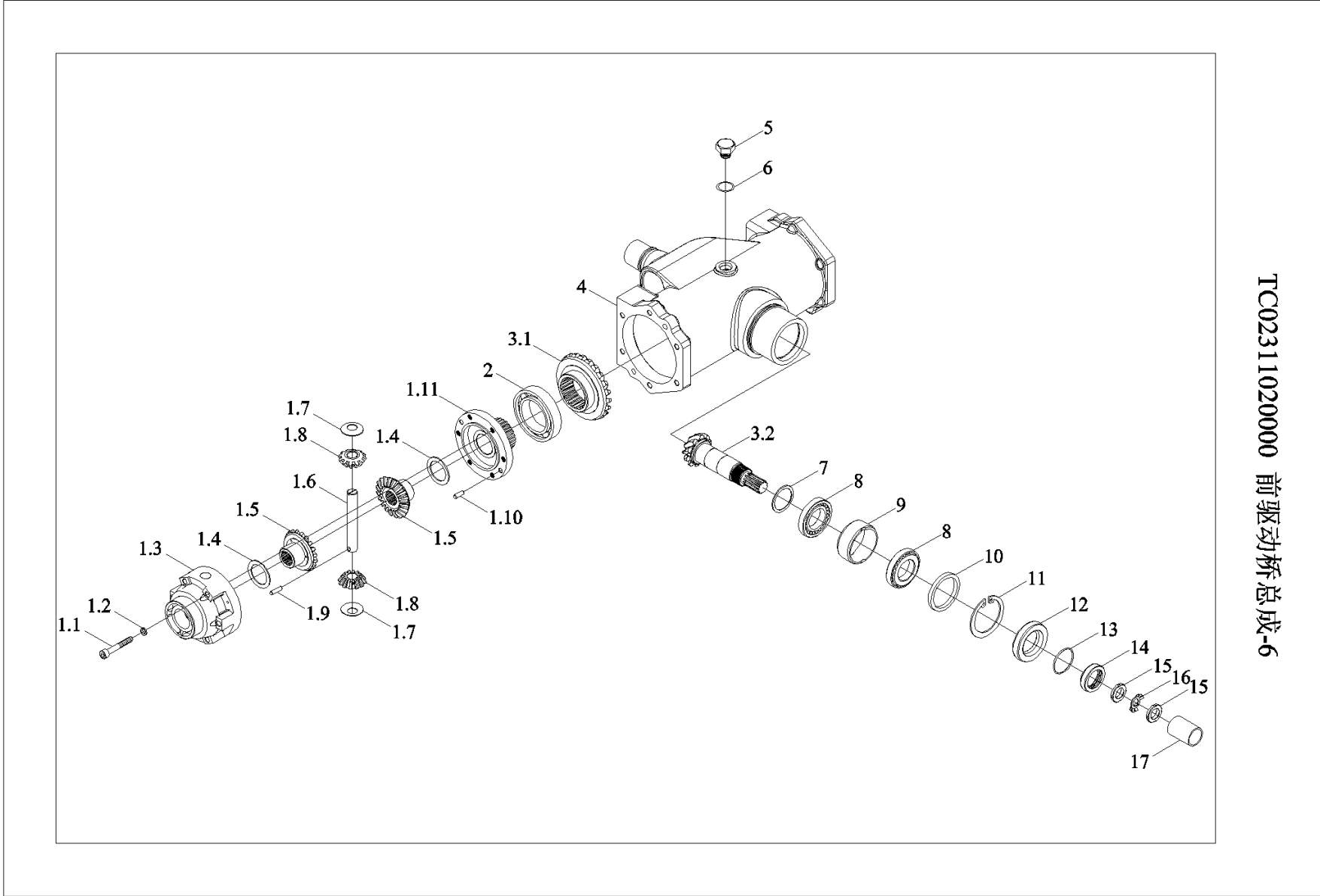
标号 No.	代号 Code	名称 Description		数量 Quantity	备注 Remark
1	TC02311020014	前驱动轴	FRONT DRIVING SHAFT	1	2014-04_
10	GBT276-6310	轴承	BEARING	1	2014-04_
11	TC02311010055	垫片	WASHER	1	2014-04_
13	GBT5783-M8X35-8.8-A2L	六角头螺栓	BOLT	2	2014-04_
15	TC02311010053	端部小齿轮	END PINION	1	2014-04_
16	GBT276-6308	深沟球轴承	BEARING	1	2014-04_
17	TC02311010059	调整垫 II	ADJUSTABLE WASHER	999	2014-04_
18	GBT893.1-90	挡圈90	RETAINER RING	1	2014-04_
2	TC02311020015	滚花螺栓	BOLT	6	2014-04_
20	GBT893.1-102	孔用弹性挡圈	SNAP RING	1	2014-04_
22	GBT3452.1-21.2X2.65G	液压气动用O形橡胶密封圈	O-SEAL RING	2	2014-04_
24	GBT301-51107	轴承	BEARING	1	2014-04_
26	TC02311010056	端部花键轴	END SPLINE SHAFT	1	2014-04_
27	GBT6172.1-M16-04-A3L	六角薄螺母	NUT	1	2014-04_
28	GBT5783-M16X40-10.9-A3L	六角头螺栓	BOLT	1	2014-04_
3	TC02311010032	浮动油封	FLOATING OIL SEAL	2	2014-04_
4	GBT5783-M10X40-10.9-A3L	六角头螺栓	BOLT	8	2014-04_
5	GBT93-10-A0P	标准型弹簧垫圈	WASHER	8	2014-04_
6	TC02311010050	端部大盖	BIG END COVER	1	2014-04_
7	TC02311010060	调整垫 I	ADJUSTABLE WASHER	999	2014-04_
8	GBT276-6410	深沟球轴承	BEARING	1	2014-04_
9	TC02311010052	端部大齿轮	BIG END GEAR	1	2014-04_

TC02311020000 前驱动桥总成-5



TC02311020000-5 31.5-前驱动桥总成 FRONT DRIVING AXLE ASSEMBLY

标号 No.	代号 Code	名称 Description		数量 Quantity	备注 Remark
1	TD800.311C.1-01	油杯防尘帽	DUSTPROOF CAP OF OIL CUP	1	2014-04_
1	TD800.311C.1-01	油杯防尘帽	DUSTPROOF CAP OF OIL CUP	1	2014-04_
11	TC02311020018	从动齿轮	DRIVEN GEAR	1	2014-04_
13	GBT3452.1-21.2X2.65G	液压气动用O形橡胶密封圈	O-SEAL RING	1	2014-04_
15	TC02311020017	主动齿轮	DRIVING GEAR	1	2014-04_
16	GBT276-6309	深沟球轴承	BEARING	1	2014-04_
18	TC02311010073	调整垫片	ADJUSTING WASHER	999	2014-04_
19	GBT893.1-100	孔用弹性挡圈	SNAP RING	1	2014-04_
2	JB/T 7940.1-M10X1	油杯	OIL CUP	1	2014-04_
21	TC02311010040	调整垫	ADJUSTING GASKET	999	2014-04_
24	TD904.311K.1.6	通气塞	VENT PLUG	1	2014-04_
3	TC02311010041	连接盖	CONNECTING COVER	1	2014-04_
5	GBT70.1-M8X25-8.8	内六角圆柱头螺钉	SCREW	6	2014-04_
6	GBT93-8-A0P	垫圈	WASHER	6	2014-04_
9	GBT276-6211	深沟球轴承	BEARING	1	2014-04_

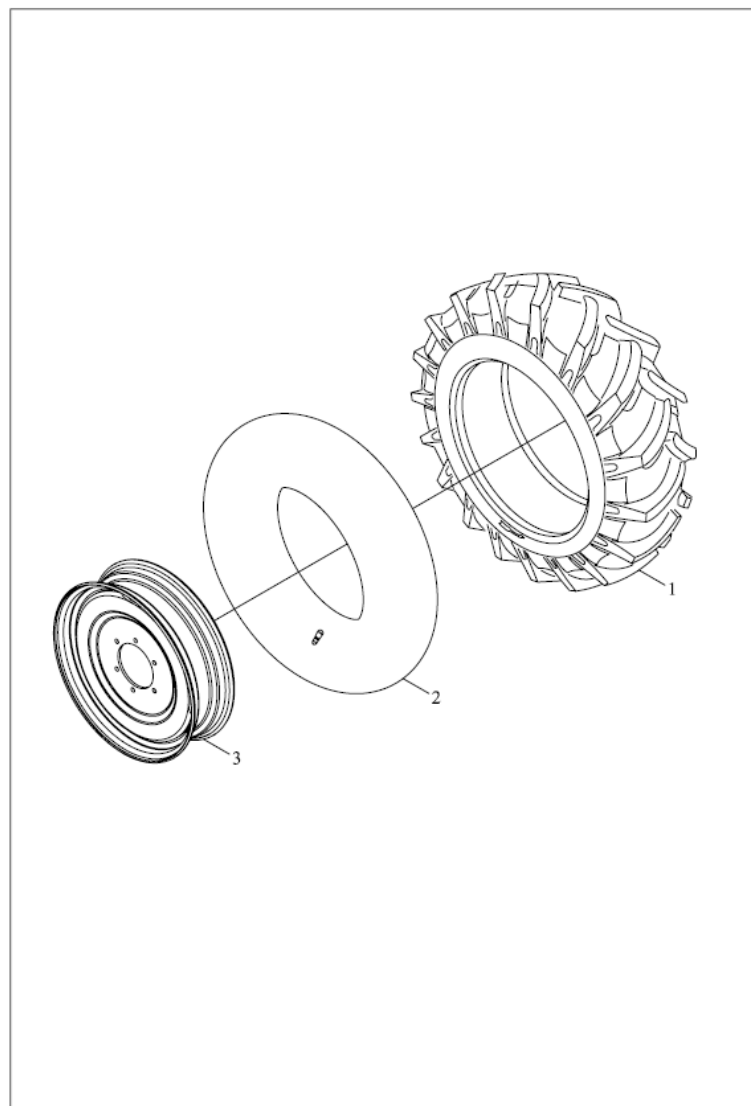


TC02311020000 前驱动桥总成-6

TC02311020000-6 31.6-前驱动桥总成 FRONT DRIVING AXLE ASSEMBLY

标号 No.	代号 Code	名称 Description		数量 Quantity	备注 Remark
1	TC02311010018	差速器总成	DIFFERENTIAL ASSEMBLY	1	2014-04_
1.1	GBT70.1-M10X70-8.8	内六角圆柱头螺钉	SCREW	6	2014-04_
1.10	GBT119.1-8h8X20-A0P	圆柱销	PIN	2	2014-04_
1.11	TC02311010028	差速器右壳	DIFFERENTIAL RIGHT HOUSING	1	2014-04_
1.2	GBT93-10	垫圈10	WASHER 10	6	2014-04_
1.3	TC02311010027	差速器左壳	DIFFERENTIAL LEFT HOUSING	1	2014-04_
1.4	TC02311010030	半轴齿轮垫片	HALF SHAFT GEAR WASHER	2	2014-04_
1.5	TC02311010035	半轴齿轮	HALF SHAFT GEAR	2	2014-04_
11	GBT893.1-80	孔用挡圈	RETAINER RING FOR HOLE	1	2014-04_
12	GBT9877.1-FB55X80X8D	油封	OIL SEAL	1	2014-04_
13	GBT3452.1-41.2X3.55G	液压气动用O形橡胶密封圈	O-SEAL RING	1	2014-04_
2	GBT276-6216	深沟球轴承	BEARING	2	2014-04_
3.1	TC02311010029	中央传动大螺旋伞齿轮	CENTRAL TRANSMISSION BIG SPIRAL BEVEL	1	2014-04_
3.2	TC02311010020	主动螺旋伞齿轮轴	GEAR	1	2014-04_
6	GBT3452.1-21.2X2.65G	液压气动用O形橡胶密封圈	DRIVING SPIRAL BEVEL GEAR SHAFT O-SEAL RING	1	2014-04_
8	GBT297-32208	圆锥滚子轴承	BEARING	2	2014-04_

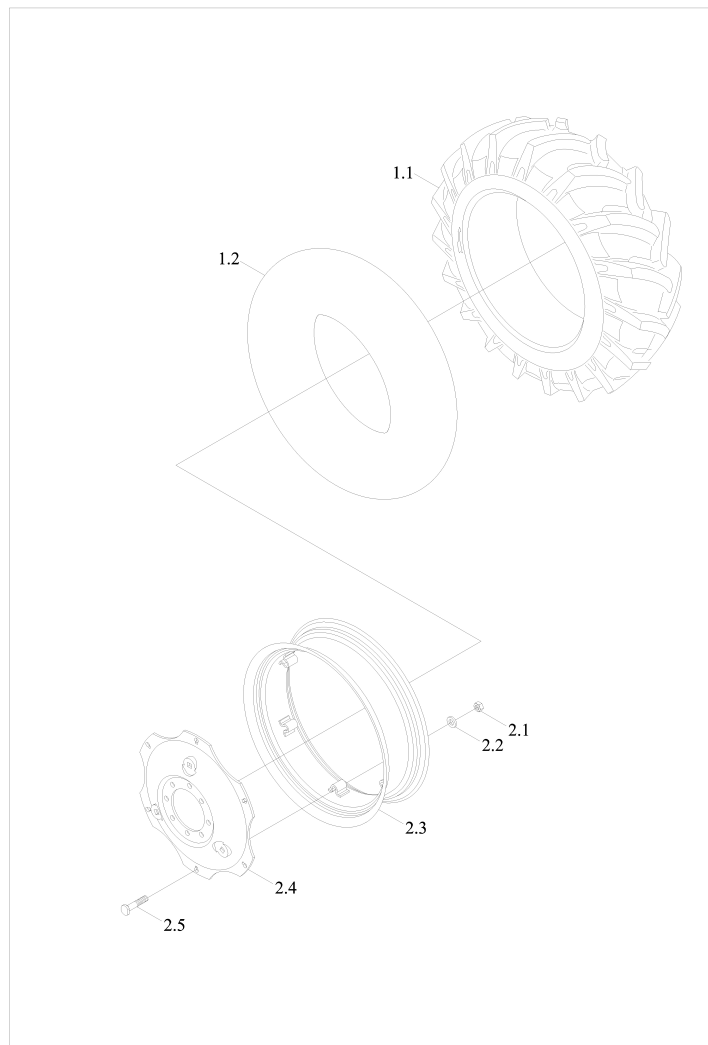
FT404.32F.001 前驱动轮总成



FT404.32F.001 32-前驱动轮总成 32-FRONT DRIVING WHEEL ASSEMBLY

标号 No.	代号 Code	名称 Description		数量 Quantity	备注 Remark
2	GBT2979-8.3-20-R	拖拉机驱动轮内胎	DRIVING WHEEL INNER TUBE	1	2013-02_
3	FT404.32F.011	32-前驱动轮总成	32-FRONT DRIVING WHEEL ASSEMBLY	1	2011-11_

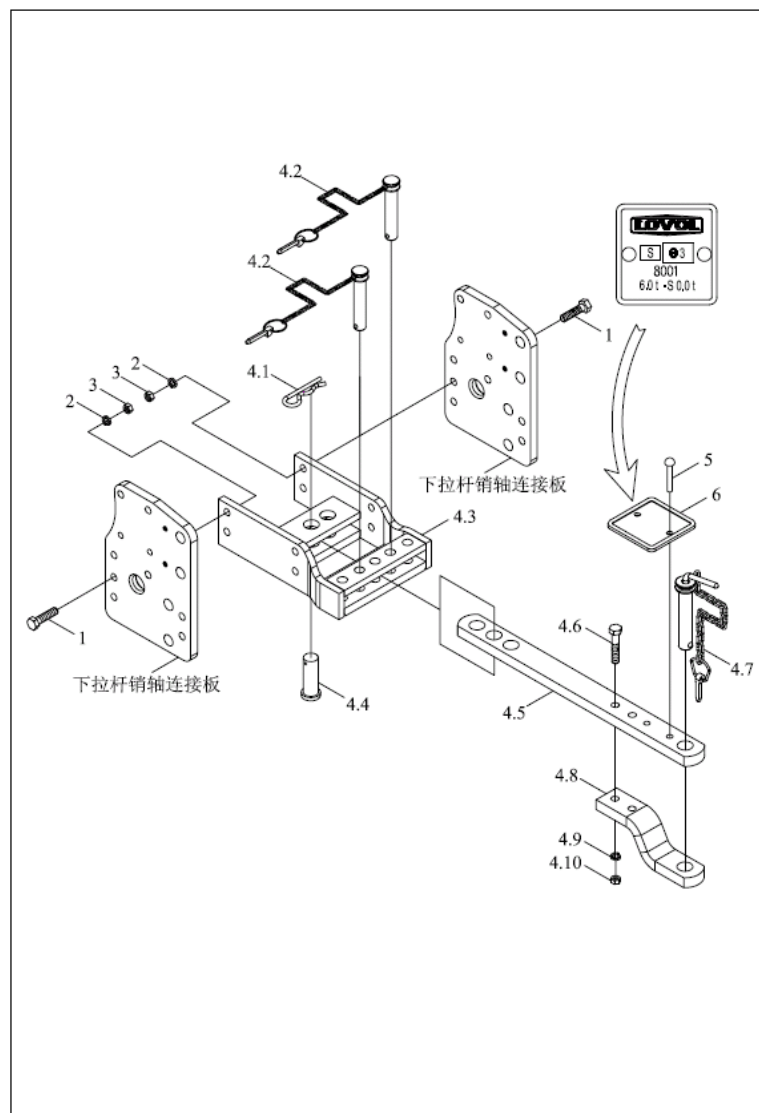
FT404.34F.001 后驱动轮总成



FT404.34F.001 34-后驱动轮总成 34-REAR DRIVE WHEEL ASSEMBLY

标号 No.	代号 Code	名称 Description		数量 Quantity	备注 Remark
1	FT404.34.011	内外胎总成14.9-24		1	2014-12_
1.1	GBT2979-14.9-24-6PR-R	拖拉机驱动轮普通断面斜交结构外胎	DRIVING WHEEL OUTER TUBE	1	2014-12_
1.2	GBT2979-14.9-24-R	拖拉机驱动轮内胎	DRIVING WHEEL INNER TUBE	1	2014-12_
2	FT404.34F.011	轮辋辐板总成	RIM SPOKE ASSEMBLY	1	2014-12_
2.1	GBT6171-M16X1.5-8-A3L	I型六角螺母	I-TYPE HEXAGON NUT	6	2014-12_
2.2	FT300.34.106	垫圈	WASHER	6	2014-12_
2.3	FT404.34F.012	轮辋焊合	WHEEL RIM WELD	1	2014-12_
2.4	FT404.34.102b	轮辐	SPOKE	1	2014-12_
2.5	FT300.34.102	轮辋螺栓	RIM BOLT	6	2014-12_

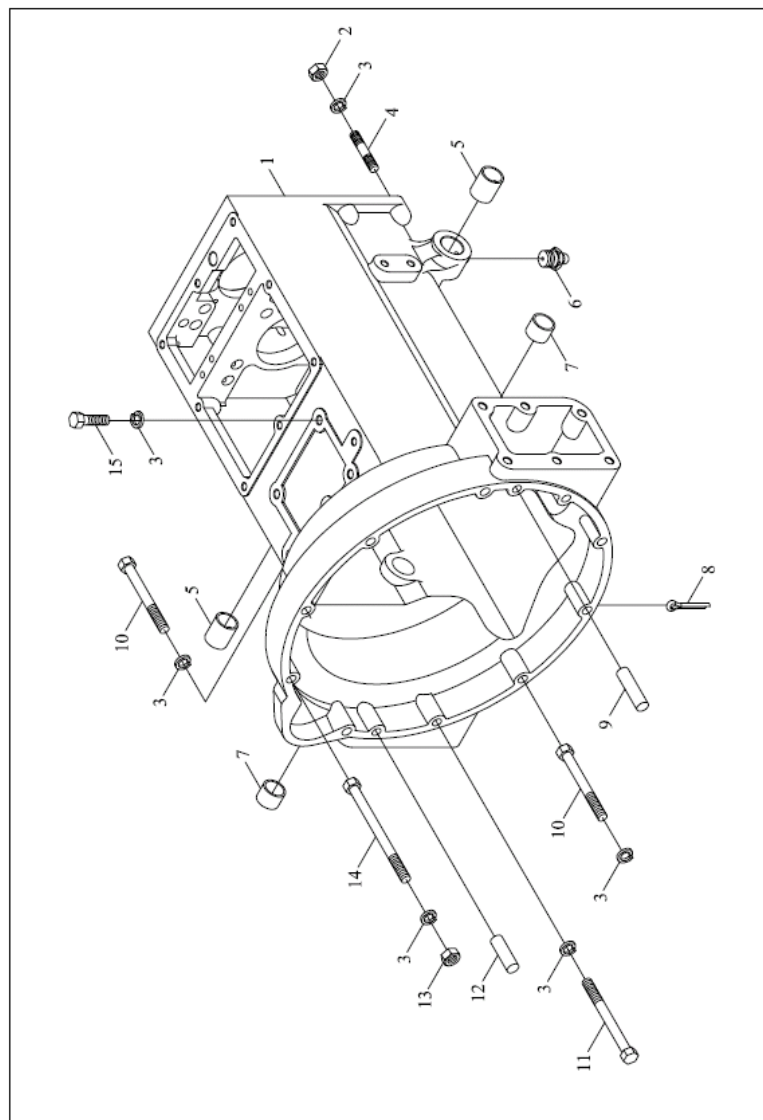
TB400.35 总牵引机构总成



TB400.35 35-总牵引机构总成 35-MAIN TRACTION MECHANISM ASSEMBLY

标号 No.	代号 Code	名称 Description		数量 Quantity	备注 Remark
1	GBT5783-M16X60-A3L	六角头螺栓	BOLT	8	2011-11_
2	GBT93-16-A0P	弹簧垫圈	SPRING WASHER	8	2011-11_
3	GBT6171-M16-A3L	1型六角螺母	NUT	8	2011-11_
4	TB400.35.1	牵引装置总成	TRACTION DEVICE ASSEMBLY	1	2011-11_
4.1	FT65.53.103	弹性锁销	SPRING LOCK PIN	1	2011-11_
4.10	GBT6170-M16-A3L	螺母 M16-A3L	NUT	2	2011-11_
4.2	TB400.35.1.1	限位销及锁销总成	LIMITING PIN AND LOCK PIN ASSEMBLY	2	2011-11_
4.3	FT300.35A.012a	牵引架焊合	TRACTION FRAME	1	2011-11_
4.4	FT300.35A.103	连接销	CONNECTING PIN	1	2011-11_
4.5	TB400.35.1-01	摆杆	UPPER PART U-HOOK	1	2011-11_
4.6	TB400.35.1-03	螺栓	BOLT	2	2004-01_
4.7	TB400.35.1.2	牵引销及锁销总成	TOWING PIN AND LOCK PIN ASSEMBLY	1	2011-11_
4.8	TB400.35.1-02	连接摆杆	CONNECTING SWING ROD	1	2011-11_
4.9	GBT93-16-A0P	弹簧垫圈	SPRING WASHER	2	2011-11_
5	GBT827-3X8	标牌铆钉	SCUTCHEON RIVET	2	2011-11_
6	TB400.35-01	牵引标识牌	TOWING SIGN PLATE	1	2011-11_

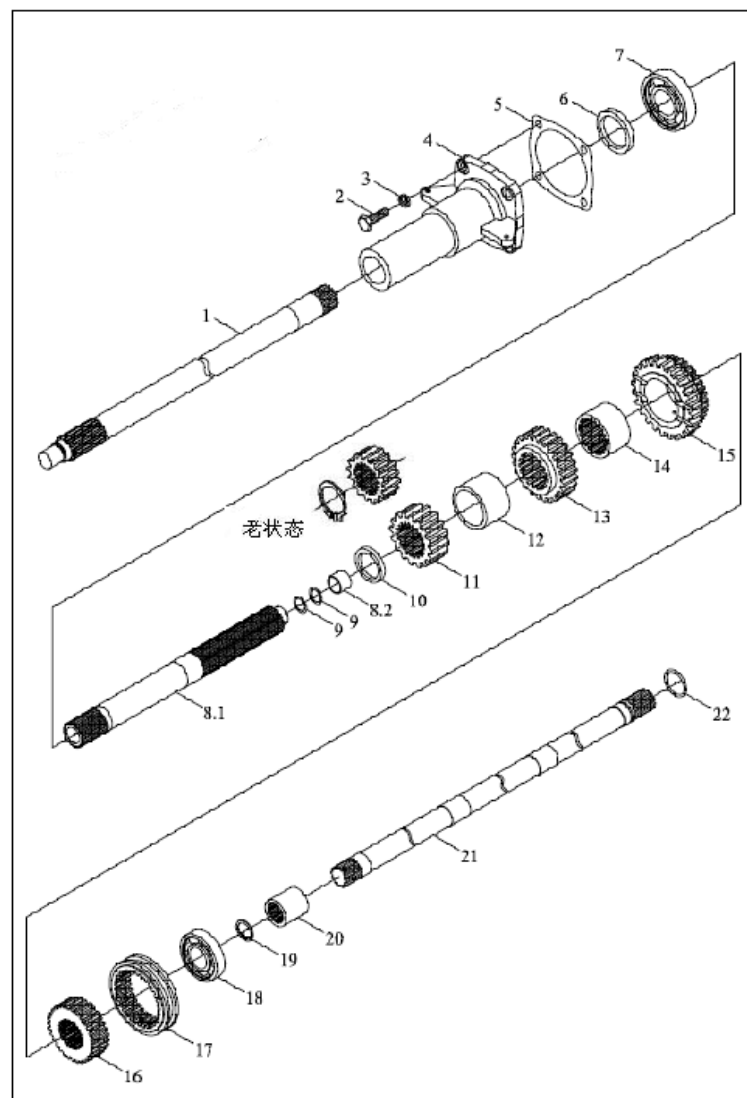
TB400.371B Transmission housing assembly



TB400.371B 37.1-变速箱壳体总成 37.1-GEARBOX HOUSING ASSEMBLY

标号 No.	代号 Code	名称 Description		数量 Quantity	备注 Remark
1	FT300.37.101b	变速箱壳体	GEAR BOX	1	2006-12_
1	TB400.371E-01	变速箱壳体	GEAR BOX	1	2007-12_
1	FT300.37.101b	变速箱壳体	GEAR BOX	1	2006-12_
10	TB550.371-01	螺栓	BOLT	3	2006-12_
11	GBT5782-M12X110-A2L	螺栓	BOLT	1	
12	GBT119.1-12m6X22-A0P	圆柱销	PIN	1	2011-11_
13	GBT6170-M12-A3L	螺母	NUT	3	2011-11_
14	GBT5783-M12X40-A3L	螺栓	BOLT	1	
15	GBT5783-M12X35-A3L	螺栓	BOLT	4	2011-11_
15	GBT5783-M12X35-A3L	螺栓	BOLT	4	2011-11_
2	GBT6171-M12X1.5-A3L	1型六角螺母	NUT	10	
3	GBT93-12-A0P	弹簧垫圈	SPRING WASHER	24	2011-11_
4	GBT899-AM12-M12X1.5X35-8.8-A3L	双头螺柱	8.8-A3L STUD	10	2011-11_
5	FT300.37.158	踏板轴衬套	PEDAL SHAFT BUSH	2	2011-11_
6	JBT7940.1-M10X1	直通式压注油杯	STRAIGHT PRESSURE FILLING OIL CUP	2	2011-11_
7	FT300.37.159	分离叉轴衬套	RELEASE FORK SHAFT BUSH	2	2011-11_
8	GBT91-6.3X40-A0P	开口销	PIN	1	2011-11_
9	GBT119.1-12m6X30-A0P	圆柱销	PIN	3	2011-11_
9	GBT119.1-12m6X30-A0P	圆柱销	PIN	3	2011-11_

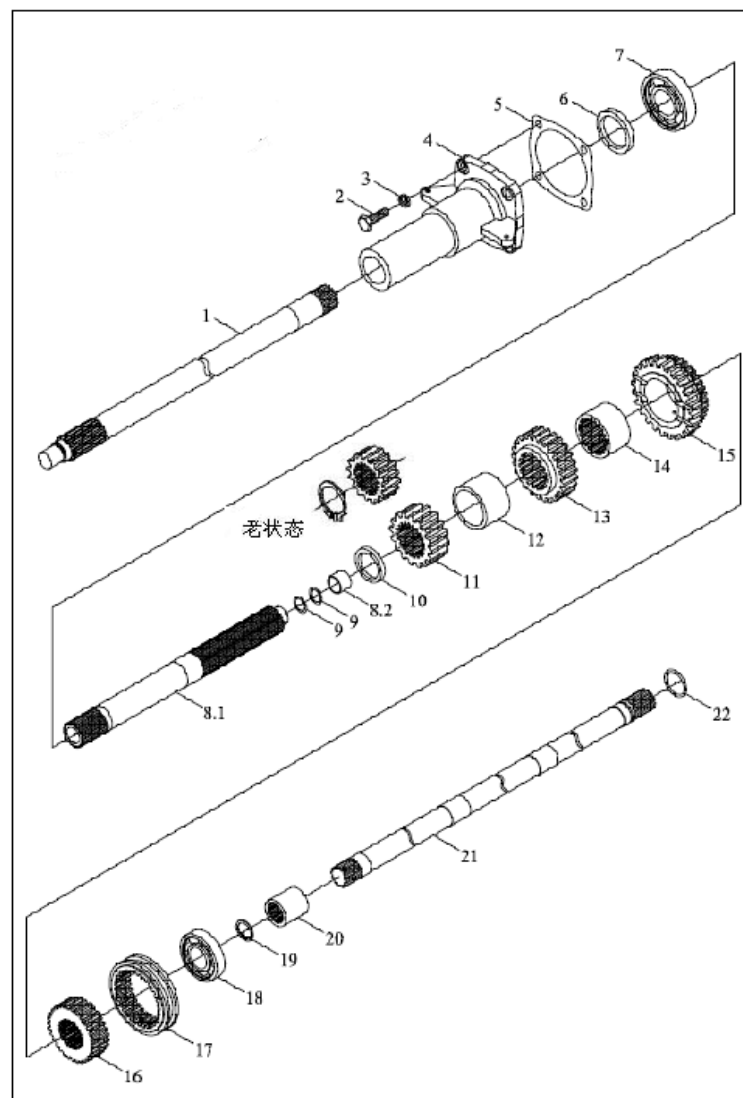
TB400.372D 主变速总成-1



TB400.372D-1 37.2.1-主变速总成-1 MAIN TRANSMISSION ASSEMBLY-1

标号 No.	代号 Code	名称 Description		数量 Quantity	备注 Remark
1	FT400.37B.201	副离合器轴	AUXILIARY CLUTCH SHAFT	1	2011-11_
10	TB550.372-18	I 档齿轮隔套	I GEAR SPACER	1	2004-01_
10	GBT894.1	挡圈20	BLCKING RING	1	2011-11_
11	FT300.37B.126a	I 档主动齿轮	I DRIVING GEAR	1	2008-08_
11	FT300.37B.126	I 档主动齿轮	I DRIVING GEAR	1	2004-01_
12	FT300.37B.127a	I - II 档齿轮隔套	I-II GEAR SPACER	1	2007-04_
12	TB550.372-19	I - II 档齿轮隔套	I-II GEAR SPACER	1	2008-08_
12	FT300.37B.127	I - II 档齿轮隔套	I-II GEAR SPACER	1	2004-01_
13	FT300.37.128	II 档主动齿轮	II DRIVING GEAR	1	2011-11_
14	FT300.37.130	III 档齿轮衬套	III GEAR BUSH	1	2011-11_
15	FT300.37.131a	III 档主动齿轮	III DRIVING GEAR	1	2011-11_
16	FT300.37.132	III-IV 档啮合齿座	III-IV ENGAGING GEAR SEAT	1	2011-11_
17	FT300.37.134a	III-IV 档啮合套	III-IV SHIFT COLLAR	1	2011-11_
18	GBT276-6007	轴承6007	BEARING	1	2011-11_
19	GBT893.1-21	孔用弹性挡圈	SNAP RING	1	2011-11_
2	GBT5783-M8X25-A2L	螺栓	BOLT	4	2011-11_
20	FT300.37.136	连接套	CONNECTING SLEEVE	1	2011-11_
21	FT300.37J.137	动力输出连接轴	PTO CONNECTING SHAFT	1	2011-11_
22	GBT895.2-24	轴用钢丝挡圈	SNAP RING	1	2011-11_
3	GBT93-8	垫圈8	WASHER 8	4	2011-11_
4	FT300.37B.124	I 轴轴承盖	SHAFT I BEARING COVER	1	2011-11_
5	FT300.37B.125	I 轴轴承盖纸垫	SHAFT I BEARING COVER PAPER GASKET	1	2011-11_
6	GBT9877.1-FB40X62X8D	内包骨架旋转轴唇形密封	O RING	1	2011-11_
7	GBT276-6208	深沟球轴承	BEARING	1	2011-11_
8	FT300.37B.021a	I 轴合件	SHAFT I UNIT	1	2008-08_

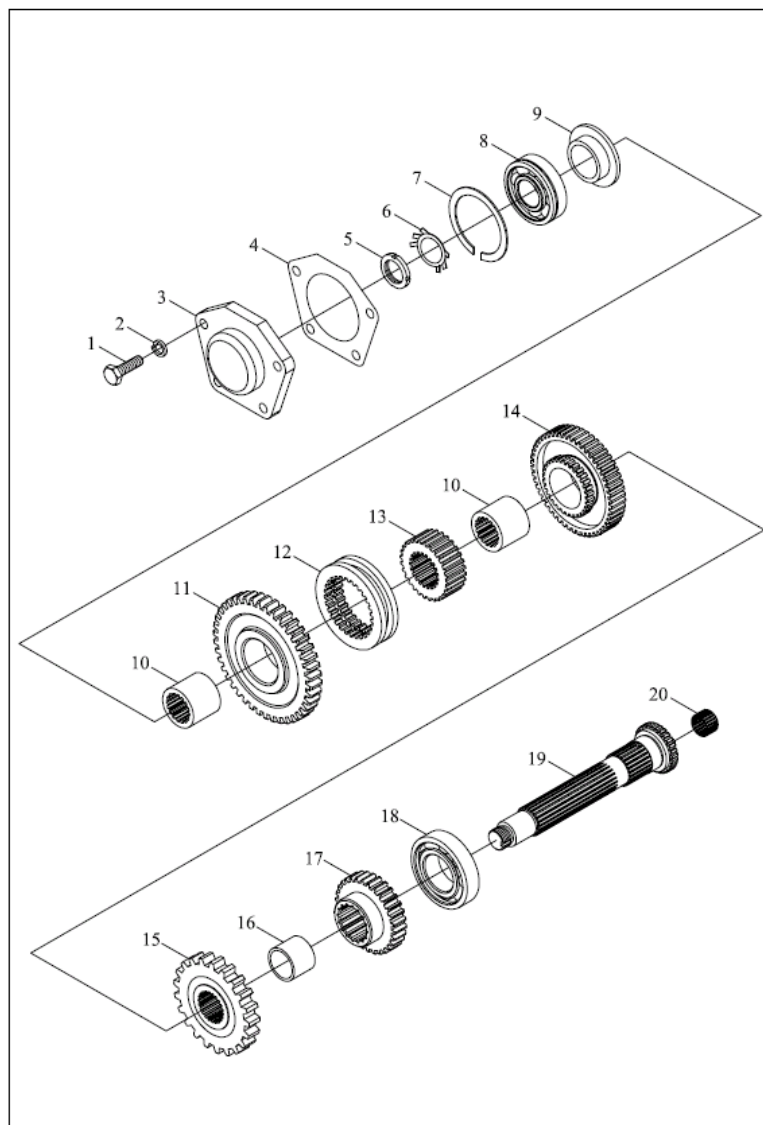
TB400.372D 主变速总成-1



TB400.372D-1 37.2.1-主变速总成-1(续)

标号 No.	代号 Code	名称 Description		数量 Quantity	备注 Remark
8	FT300.37B.021a	I 轴合件	SHAFT I UNIT	1	2008-08_
8	FT300.37B.021	I 轴合件	SHAFT I UNIT	1	2004-01_
8.1	FT300.37B.202a	I 轴	SHAFT I	1	2008-08_
8.1	FT300.37B.202	I 轴	SHAFT I	1	2004-01_
8.2	FT300.37.170	衬套	SLEEVE	1	2011-11_
9	GBT3452.1-23.6X1.80G	液压气动用O形橡胶密封圈	O-SEAL RING	2	2011-11_

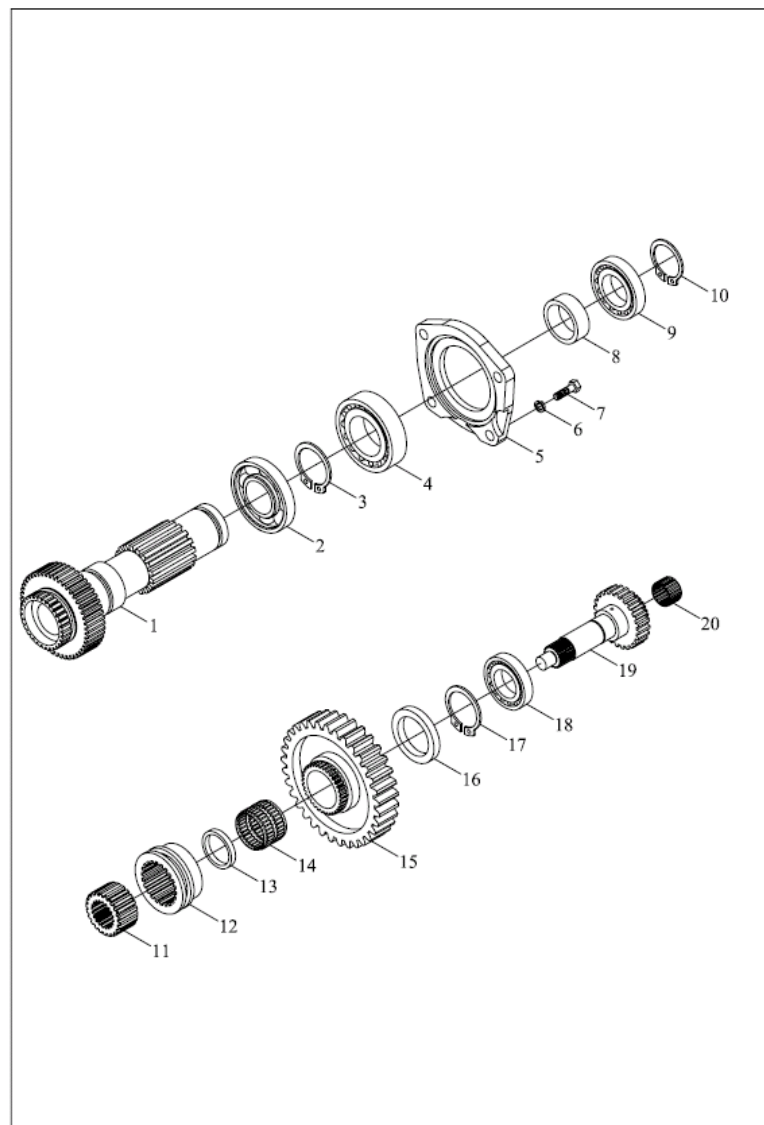
TB400.372D Main transmission assembly-2



TB400.372D-2 37.2.2-主变速总成-2 MAIN TRANSMISSION ASSEMBLY-2

标号 No.	代号 Code	名称 Description		数量 Quantity	备注 Remark
1	GBT5783-M8X25-A2L	螺栓	BOLT	4	2011-11_
10	FT300.37.114	I-II档齿轮衬套	I-II GEAR BUSH	2	2011-11_
11	FT300.37.117	I档从动齿轮	I DRIVEN GEAR	1	2004-01_
11	FT300.37.117a	I档从动齿轮	I DRIVEN GEAR	1	2011-06_
12	FT300.37.115a	I-II档啮合套	I-II SHIFT COLLAR	1	2011-06_
12	FT300.37.115	I-II档啮合套	I-II SHIFT COLLAR	1	2004-01_
13	FT300.37.116	I-II档啮合齿座	I-II ENGAGING TOOTH SEAT	1	2011-11_
14	FT300.37.113a	II档从动齿轮	II DRIVEN GEAR	1	2011-06_
14	FT300.37.113	II档从动齿轮	II DRIVEN GEAR	1	2004-01_
15	FT300.37.112	III档从动齿轮	III DRIVEN GEAR	1	2011-11_
16	FT300.37.110	III-IV档齿轮隔套	III-IV GEAR SPACER	1	2011-11_
17	FT300.37.108a	IV档从动齿轮	IV DRIVEN GEAR	1	2011-11_
18	GBT276-6208	深沟球轴承	BEARING	1	2011-11_
19	FT300.37.109a	II轴	SHAFT II	1	2011-11_
2	GBT93-8	垫圈8	WASHER 8	4	2011-11_
20	JBT7918-K20X26X20	向心滚针和保持架组件	NEEDLE AND CARRIER UNIT	1	2011-11_
3	FT300.37.120	II轴轴承盖	SHAFT II BEARING COVER	1	2011-11_
4	FT300.37.119	II轴轴承盖纸垫	SHAFT II BEARING COVER PAPER GASKET	1	2011-11_
5	GBT812-M24X1.5	圆螺母	ROUND NUT	1	2011-11_
6	GBT858-24	圆螺母用止动垫圈	THRUST RING	1	2011-11_
7	GBT305-72/78.6	止推环	PLATE;THRUST	1	2004-01_
8	GBT276-6306N	深沟球轴承	BEARING	1	2011-11_
9	FT300.37.118	II轴轴端挡圈	SHAFT II END RETAINER RING	1	2011-11_

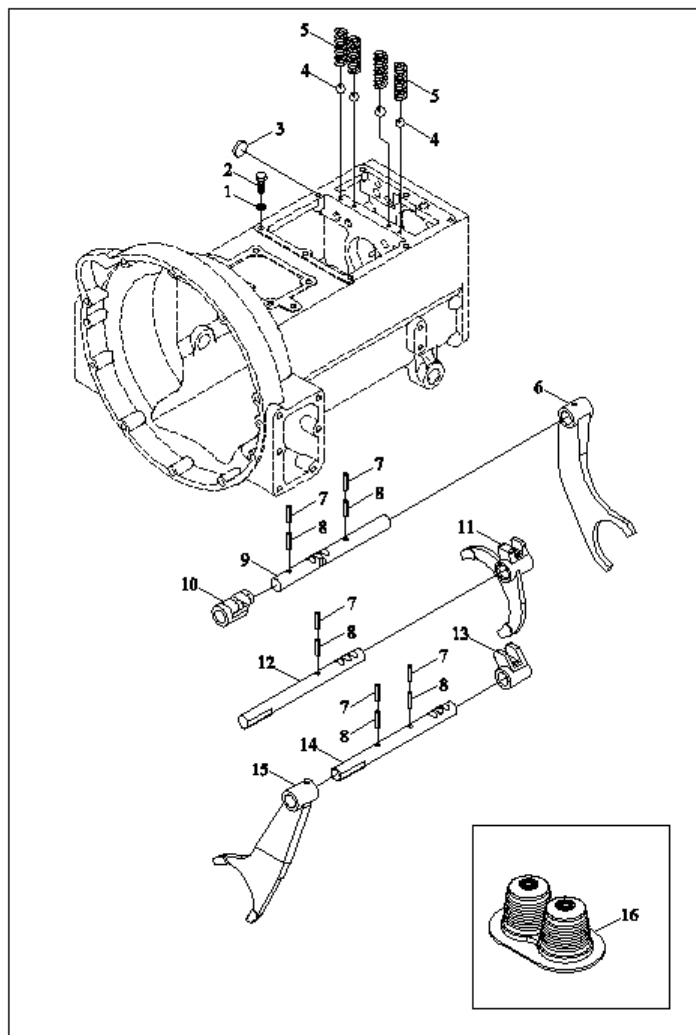
TB450.373BAuxiliary transmission assembly



TB450.373B 37.3-副变速总成 37.3-AUXILIARY GEARSHIFT ASSEMBLY

标号 No.	代号 Code	名称 Description	数量 Quantity	备注 Remark
1	FT300.37J.169a	副变速主动齿轮轴	1	2011-11_
10	GBT894.1-40	挡圈40	1	2011-11_
11	FT300.37.106a	倒档齿轮啮合齿座	1	2011-11_
12	FT300.37J.105	副变速换挡套	1	2011-11_
12	FT300.37J.105	副变速换挡套	1	2011-11_
13	FT300.37.111	隔套	1	2011-11_
14	QSFZB019-K35X43X34ZW	滚针轴承	1	2011-11_
15	FT300.37.103	副变速从动齿轮	1	2004-01_
15	FT450.37.103	副变速从动齿轮	1	2007-04_
16	FT300.37J.182	限位挡圈	1	2004-01_
16	FT300.37J.182a	限位挡圈	1	2007-04_
17	GBT894.1-35	轴用弹性挡圈	1	2011-11_
18	GBT283-NUP307E	圆柱滚子轴承	1	2011-11_
19	TB450.37J-01	副变速从动轴	1	2011-11_
2	GBT276-6210	深沟球轴承	1	2011-11_
20	JBT7918-K25X31X20	向心滚针和保持架组件	1	2011-11_
3	GBT894.1-50	轴用弹性挡圈	1	2011-11_
4	GBT283-NUP308E	圆柱滚子轴承	1	2011-11_
5	FT300.37.139	副变速轴承盖	1	2011-11_
6	GBT93-10-A0P	标准型弹簧垫圈	4	2011-11_
7	GBT5783-M10X30-A2L	六角头螺栓	4	2011-11_
8	FT300.37J.180	隔套	1	2011-11_
9	GBT283-NF208E	圆柱滚子轴承	1	2011-11_

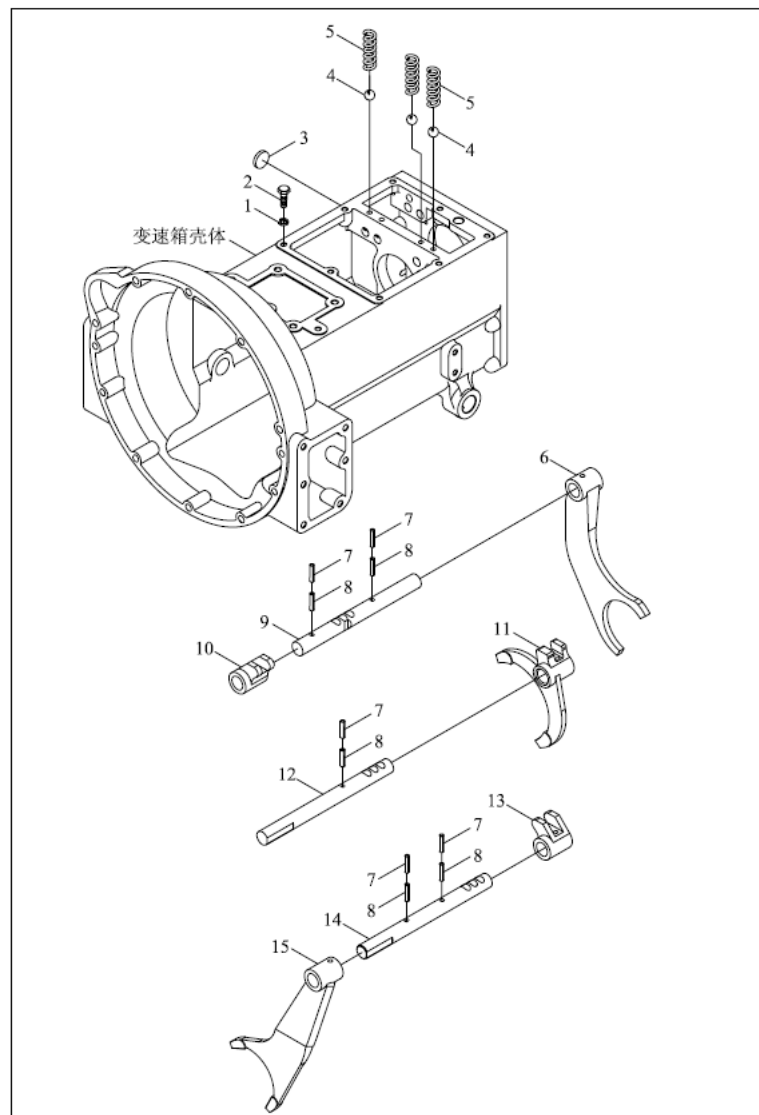
TB450.374G 变速箱操纵机构总成-1



TB450.374G-1 37.4.1-变速箱操纵机构总成-1 37.4TRANSMISSION CONTROL MECHANISM ASSEMBLY-1

标号 No.	代号 Code	名称 Description	数量 Quantity	备注 Remark
1	GBT93-10	垫圈10	8	2012-05_
10	FT300.37.154	副变速拨头	1	2012-05_
11	FT300.37.147	Ⅲ-Ⅳ档拨叉	1	2012-05_
12	FT300.37.150	Ⅲ-Ⅳ档拨叉轴	1	2012-05_
13	FT300.37.152	I-II档拨头	1	2012-05_
14	FT300.37.149	I-II档拨叉轴	1	2012-05_
15	FT300.37.148	I-II档拨叉	1	2012-05_
16	TB450.374B-01	变速杆防尘罩	1	2012-05_
2	GBT5783-M10X30-A3L	螺栓	8	2012-05_
3	Q72114	塞片	1	2012-05_
4	GBT308-8-G100-B	钢球	4	2012-05_
5	FT300.37.135	拨叉轴定位弹簧	4	2012-05_
6	FT300.37.145	副变速拨叉	1	2012-05_
7	GBT879.1-3X24	弹性圆柱销	5	2012-05_
8	GBT879.1-5X24	弹性圆柱销	5	2012-05_
9	FT300.37.156	副变速拨叉轴	1	

TB450.374B 变速箱操纵机构总成-1



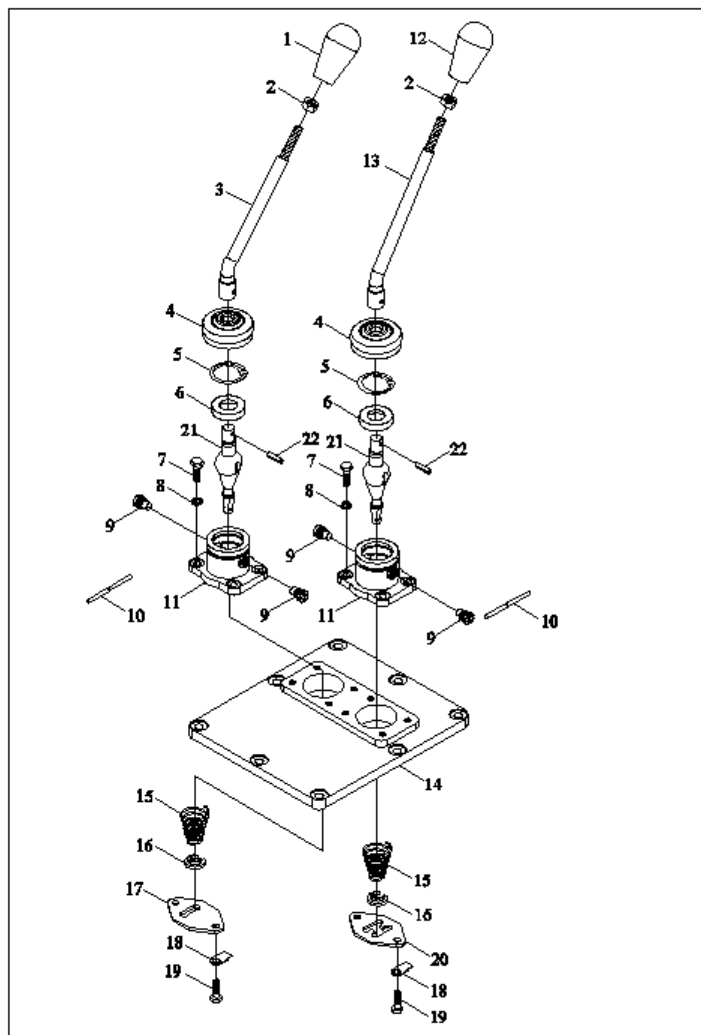
TB450.374B-1 37.4.1变速箱操纵机构总成-1 37.4TRANSMISSION CONTROL MECHANISM ASSEMBLY-1

标号 No.	代号 Code	名称 Description	数量 Quantity	备注 Remark
1	GBT93-10	垫圈10	8	2011-11_
10	FT300.37.154	副变速拨头	1	2011-11_
11	FT300.37.147	Ⅲ-Ⅳ档拨叉	1	2011-11_
12	FT300.37.150	Ⅲ-Ⅳ档拨叉轴	1	2011-11_
13	FT300.37.152	I-II档拨头	1	2011-11_
14	FT300.37.149	I-II档拨叉轴	1	2011-11_
15	FT300.37.148	I-II档拨叉	1	2011-11_
2	GBT5783-M10X30-A3L	螺栓	8	2011-11_
3	Q72114	塞片	1	2011-11_
4	GBT308-8-G100-B	钢球	3	2011-11_
5	FT300.37.135	拨叉轴定位弹簧	3	2011-11_
6	FT300.37.145	副变速拨叉	1	2011-11_
7	GBT879.1-3X24	弹性圆柱销	5	2011-11_
8	GBT879.1-5X24	弹性圆柱销	5	2011-11_
9	FT300.37.156	副变速拨叉轴	1	2011-11_

TB450.374G-2 37.4.2-变速箱操纵机构总成-2 37.4TRANSMISSION CONTROL MECHANISM ASSEMBLY-2

标号 No.	代号 Code	名称 Description	数量 Quantity	备注 Remark
0.5	TB450.374G.1	变速箱盖总成	1	2012-05_
1	FT300.37J.016	副变速操纵手柄总成	1	2012-05_
10	TF1004.374-02	低碳钢丝	2	2012-05_
11	FT300.37.180	变速杆支座	2	2012-05_
12	FT300.37.015	主变速操纵手柄总成	1	2012-05_
13	TB450.374B.1.1	主变速杆焊合	1	2012-05_
14	FT300.37.163a	变速箱上盖	1	2012-05_
15	FT300.37.165	变速杆弹簧	2	2012-05_
15	FT300.37.165	变速杆弹簧	2	2012-05_
16	FT300.37.164	变速杆弹簧挡圈	2	2012-05_
17	FT300.37J.161	副变速导板	1	2012-05_
18	GBT854-8	单耳制动垫圈	4	2012-05_
19	GBT5783-M8X16-A2L	螺栓	4	2012-05_
2	GBT6172.1-M10-A2L	螺母	2	2012-05_
20	FT300.37.162	主变速导板	1	2012-05_
21	TB450.374B.1-01	下操纵杆	2	2012-05_
22	GBT879.1-6X28	弹性圆柱销	2	2012-05_
22	GBT879.1-6X28	弹性圆柱销	2	2012-05_
3	TB520.374A.1.1	副变速杆焊合	1	2012-05_
4	FT300.37.166a	变速杆防尘罩	2	2012-05_
5	GBT893.1-40	挡圈	2	2012-05_
6	FT800A.37.305	尼龙座	2	2012-05_
7	GBT5781-M8X20-A2L	六角头螺栓	8	2012-05_
7	GBT5781-M8X20-A2L	六角头螺栓	8	2012-05_
8	GBT93-8-A0P	垫圈	8	2012-05_

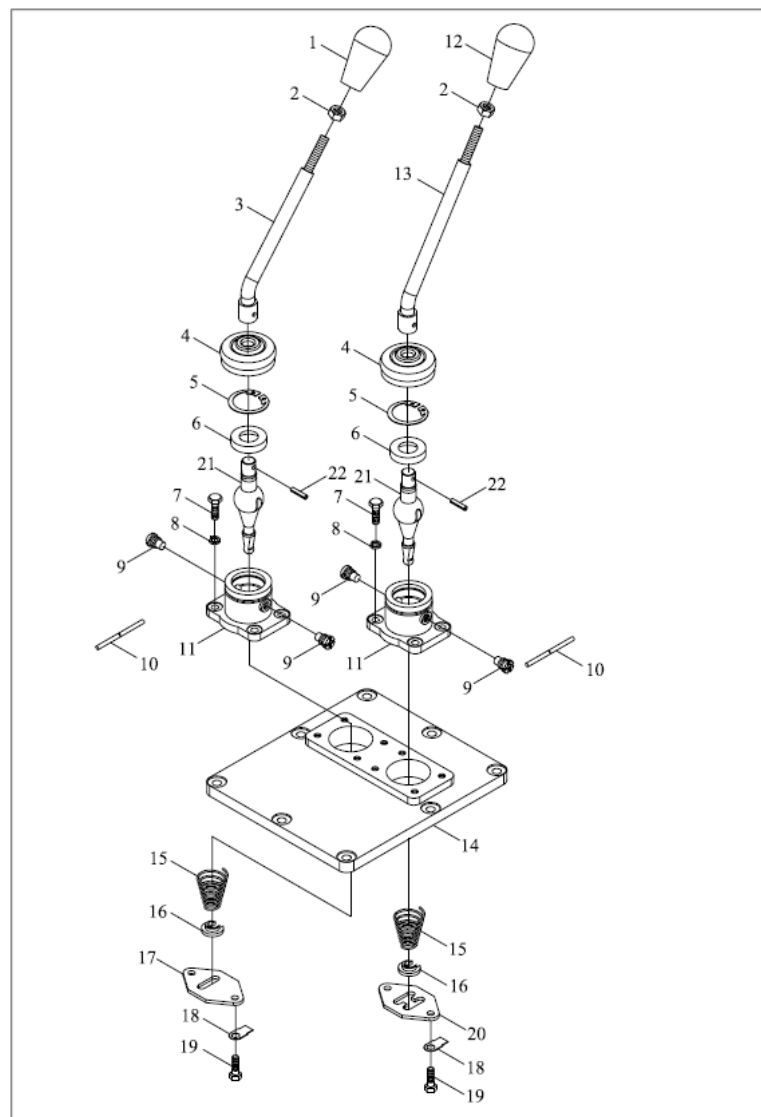
TB450.374G 变速箱操纵机构总成-2



TB450.374G-2 37.4.2-变速箱操纵机构总成-2(续)

标号 No.	代号 Code	名称 Description		数量 Quantity	备注 Remark
9	FT800A.37.326	变速杆定位销	GEARLEVER LOCATING PIN	4	2012-05_

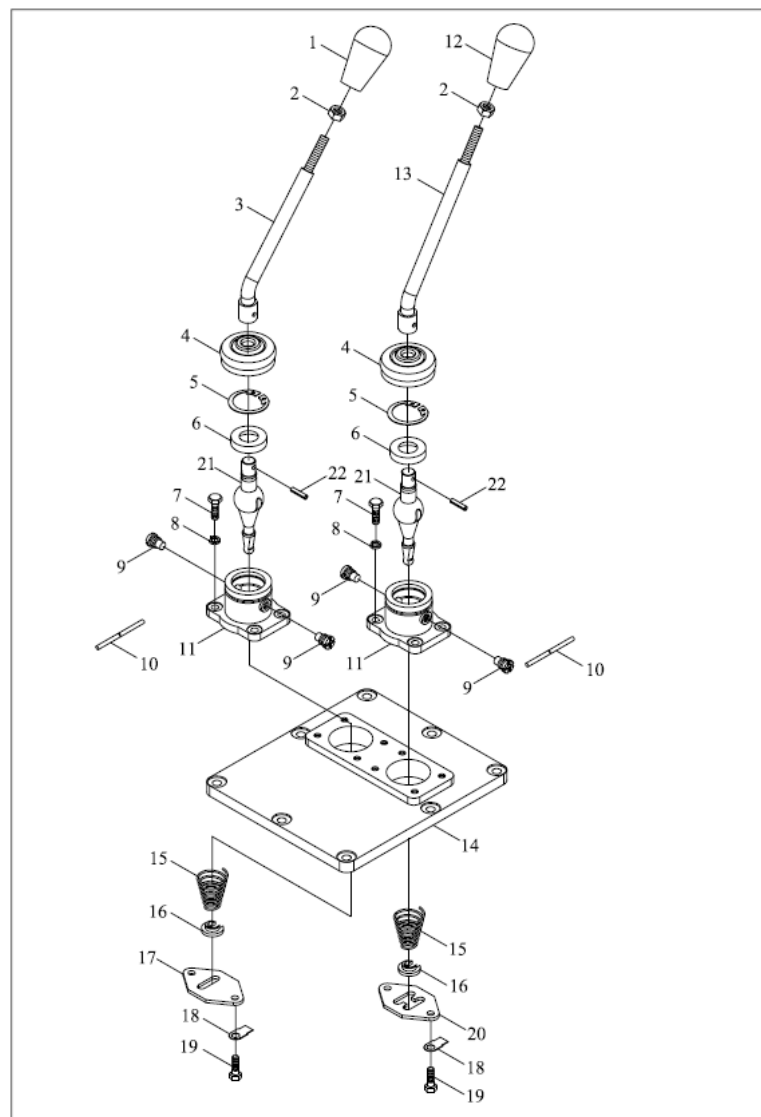
TB450.374B 变速箱操纵机构总成-2



TB450.374B-2 37.4.2变速箱操纵机构总成-2 GEARBOX CONTROL MECHANISM ASSEMBLY-2

标号 No.	代号 Code	名称 Description	数量 Quantity	备注 Remark
0	TB450.374B.1	变速箱上盖总成	1	2011-11_
1	FT300.37J.016	副变速操纵手柄总成	1	2011-11_
10	TF1004.374-02	低碳钢丝	2	2011-11_
11	FT300.37.180	变速杆支座	2	2011-11_
12	FT300.37.015	主变速操纵手柄总成	1	2011-11_
13	TB450.374B.1.1	主变速杆焊合	1	2011-11_
14	FT300.37.163a	变速箱上盖	1	2011-11_
15	FT300.37.165	变速杆弹簧	2	2011-11_
15	FT300.37.165	变速杆弹簧	2	2011-11_
16	FT300.37.164	变速杆弹簧挡圈	2	2011-11_
17	FT300.37J.161	副变速导板	1	2011-11_
18	GBT854-8	单耳制动垫圈	4	2011-11_
19	GBT5783-M8X16-A2L	螺栓	4	2011-11_
2	GBT6172.1-M10-A2L	螺母	2	2011-11_
20	FT300.37.162	主变速导板	1	2011-11_
21	TB450.374B.1-01	下操纵杆	2	2011-11_
22	GBT879.1-6X28	弹性圆柱销	2	2011-11_
22	GBT879.1-6X28	弹性圆柱销	2	2011-11_
3	TB450.374B.1.2	副变速杆焊合	1	2011-11_
3	TB450.374B.1.2	副变速杆焊合	1	2011-11_
4	FT300.37.166a	变速杆防尘罩	2	2009-12_
4	TB450.374B-01	变速杆防尘罩	2	2012-01_
5	GBT893.1-40	挡圈	2	2011-11_
6	FT800A.37.305	尼龙座	2	2011-11_
7	GBT5781-M8X20-A2L	六角头螺栓	8	2011-11_

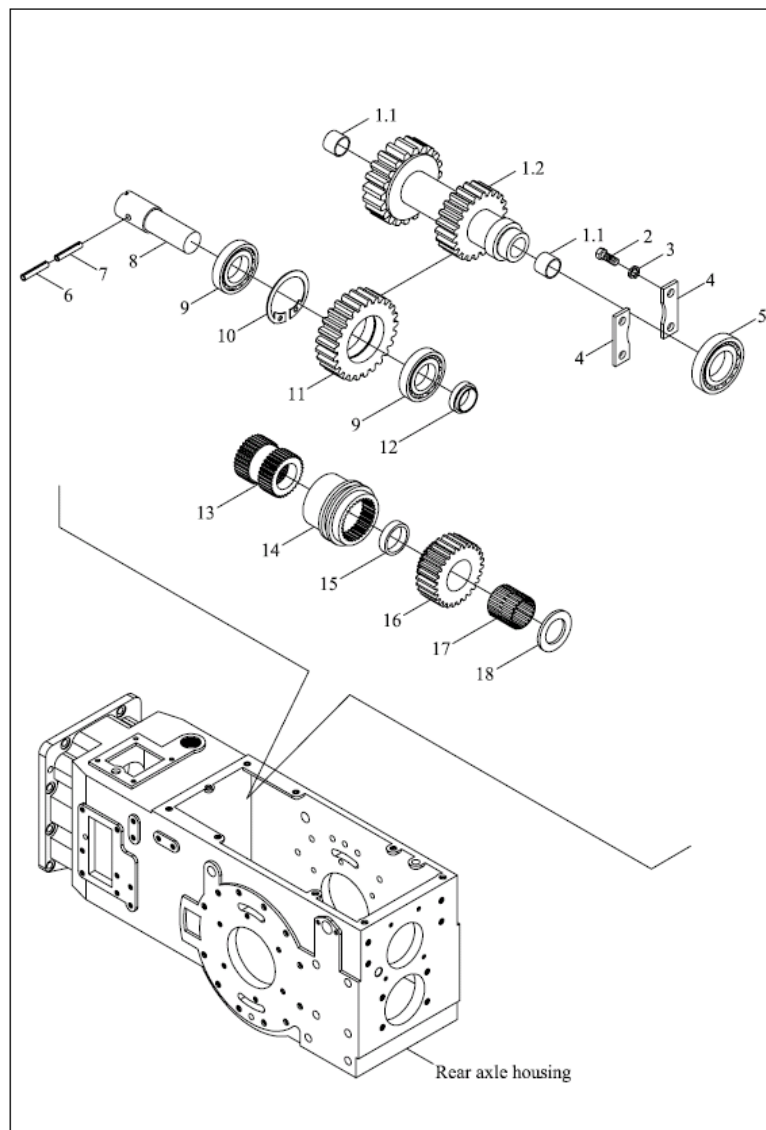
TB450.374B 变速箱操纵机构总成-2



TB450.374B-2 37.4.2变速箱操纵机构总成-2(续)

标号 No.	代号 Code	名称 Description		数量 Quantity	备注 Remark
7	GBT5781-M8X20-A2L	六角头螺栓	BOLT	8	2011-11_
8	GBT93-8-A0P	垫圈	WASHER	8	2011-11_
9	FT800A.37.326	变速杆定位销	GEARLEVER LOCATING PIN	4	2011-11_

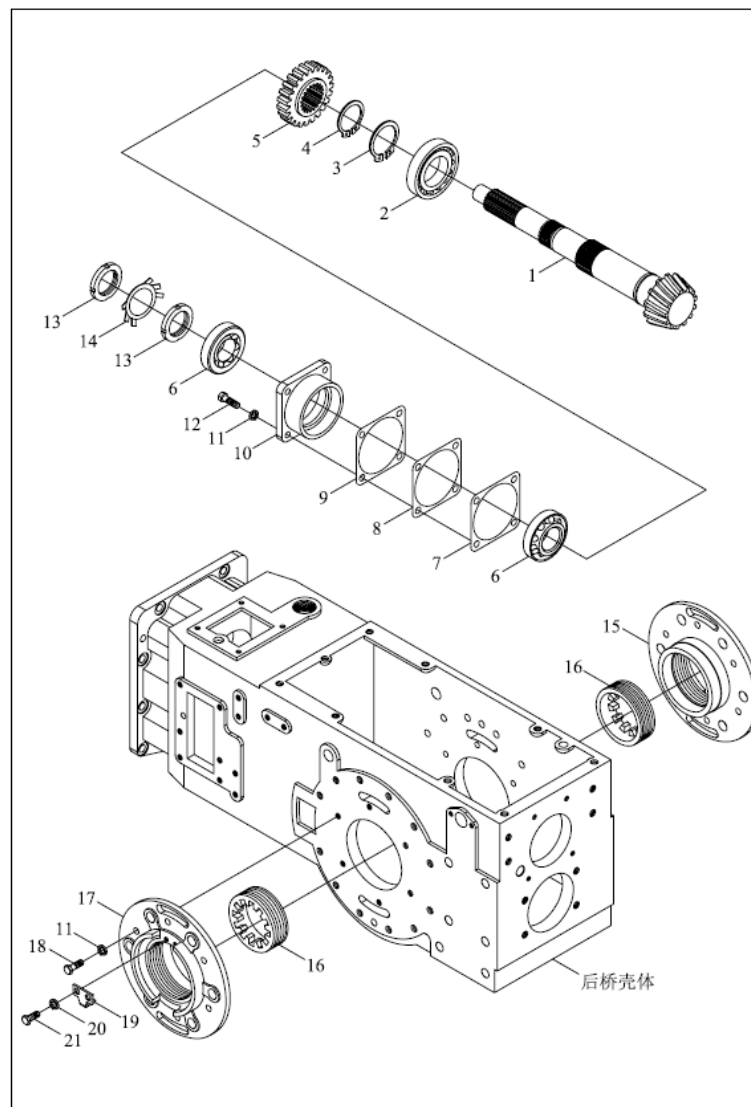
TB554.381 Shuttle shift assembly



TB554.381 38.1-梭式换档总成 38.1-SHUTTLE SHIFT ASSEMBLY

标号 No.	代号 Code	名称 Description		数量 Quantity	备注 Remark
1	TB450.38J.1	倒档中间轴总成	REVERSE MIDDLE SHAFT ASSEMBLY	1	2011-11_
1.1	FT300.37.170	衬套	SLEEVE	2	2011-11_
1.2	TB450.38J.1-01	倒档中间齿轮轴	REVERSE MIDDLE GEAR SHAFT	1	2011-11_
10	GBT893.1-62	孔用挡圈62	BLOCKING RING - HOLE	1	2011-11_
11	TB450.38J-06	倒档惰轮	REVERSE IDLER GEAR	1	2011-11_
12	TB450.38J-08	倒档惰轮轴隔套	REVERSE IDLER GEAR SHAFT SPACER SLEEVE	1	2011-11_
13	TB450.38J-01	啮合座	MESHING SEAT	1	2011-11_
14	TB450.38J-02	换档啮合套	GEARSHIFT SHIFT COLLAR	1	2011-11_
15	TB450.38J-03	隔套	SPACER BUSH	1	2011-11_
16	TB450.38J-04	倒档被动齿轮	REVERSE DRIVEN GEAR	1	2011-11_
17	QLWZB120-K35X43X34ZW	滚针轴承	NEEDLE BEARINGS	1	2004-01_
18	FT300.38J.202	调整垫圈	ADJUSTING WASHER	1	2011-11_
2	GBT5783-10X25-A3L	六角头螺栓	BOLT	4	2011-11_
3	GBT93-10-A0P	标准型弹簧垫圈	WASHER	4	2011-11_
4	FT300.38J.204	轴承压板	BEARING PRESSURE PLATE	2	2011-11_
5	GBT283-NJ208E	圆柱滚子轴承	BEARING	1	2011-11_
6	GBT879.1-5X30	弹性圆柱销	PIN	1	2011-11_
7	GBT879.1-8X30	弹性圆柱销	PIN	1	2011-11_
8	TB450.38J-07	倒档惰轮轴	REVERSE IDLER GEAR SHAFT	1	2011-11_
9	GBT283-NJ206E	轴承	BEARING	2	2011-11_

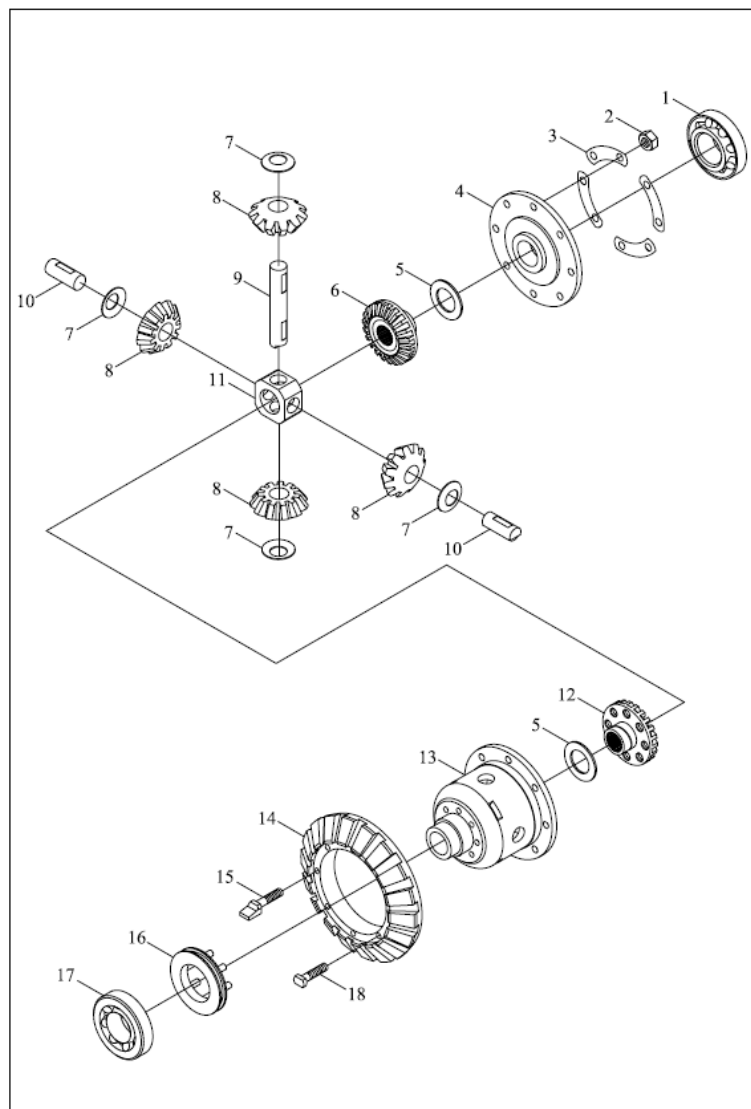
TB504.382 后桥中央传动总成-1



TB504.382-1 38.2.1-后桥中央传动总成-1 REAR AXLE CENTRAL TRANSMISSION ASSEMBLY-1

标号 No.	代号 Code	名称 Description		数量 Quantity	备注 Remark
1	TB450.38J-05	小圆锥齿轮轴	SMALL TAPER GEAR SHAFT	1	2011-11_
10	FT300.38.117	轴承座	BEARING SEAT	1	2011-11_
11	GBT93-10-A0P	标准型弹簧垫圈	WASHER	16	2011-11_
12	GBT5783-10X30-A3L	六角头螺栓	BOLT	4	2011-11_
13	GBT812-M39X1.5	圆螺母	ROUND NUT	2	2011-11_
14	GBT858-39	圆螺母用止动垫圈	THRUST RING	1	
15	FT300.38.177	右差速器轴承座	RIGHT DIFFERENTIAL BEARING SEAT	1	2011-11_
16	FT300.38.151	调整螺母	ADJUSTING NUT	2	2011-11_
17	FT300.38.142	左差速器轴承座	LEFT DIFFERENTIAL BEARING SEAT	1	2011-11_
18	GBT5783-10X25-A3L	六角头螺栓	BOLT	12	2011-11_
19	FT300.38.161	锁片	LOCK SHIM	2	2011-11_
2	GBT283-NUP2210E	圆柱滚子轴承	BEARING	1	2011-11_
20	GBT93-8-A0P	垫圈	WASHER	4	2011-11_
21	TB554.382-01	螺栓	BOLT	4	
3	GBT894.1-50	轴用弹性挡圈	SNAP RING	1	2011-11_
4	GBT894.1-48	挡圈	RETAINER RING	1	2011-11_
5	FT404.38G.116	前驱动输出齿轮	FRONT DRIVE OUTPUT GEAR	1	2011-11_
6	GBT297-32208	圆锥滚子轴承	BEARING	2	2011-11_
7	FT300.38.118	锥齿轮轴调整垫片	TAPER GEAR SHAFT ADJUSTING GASKET	999	2011-11_
8	FT300.38.119	锥齿轮轴调整垫片	TAPER GEAR SHAFT ADJUSTING GASKET	999	2011-11_
9	FT300.38.120	锥齿轮轴调整垫片	TAPER GEAR SHAFT ADJUSTING GASKET	999	2011-11_

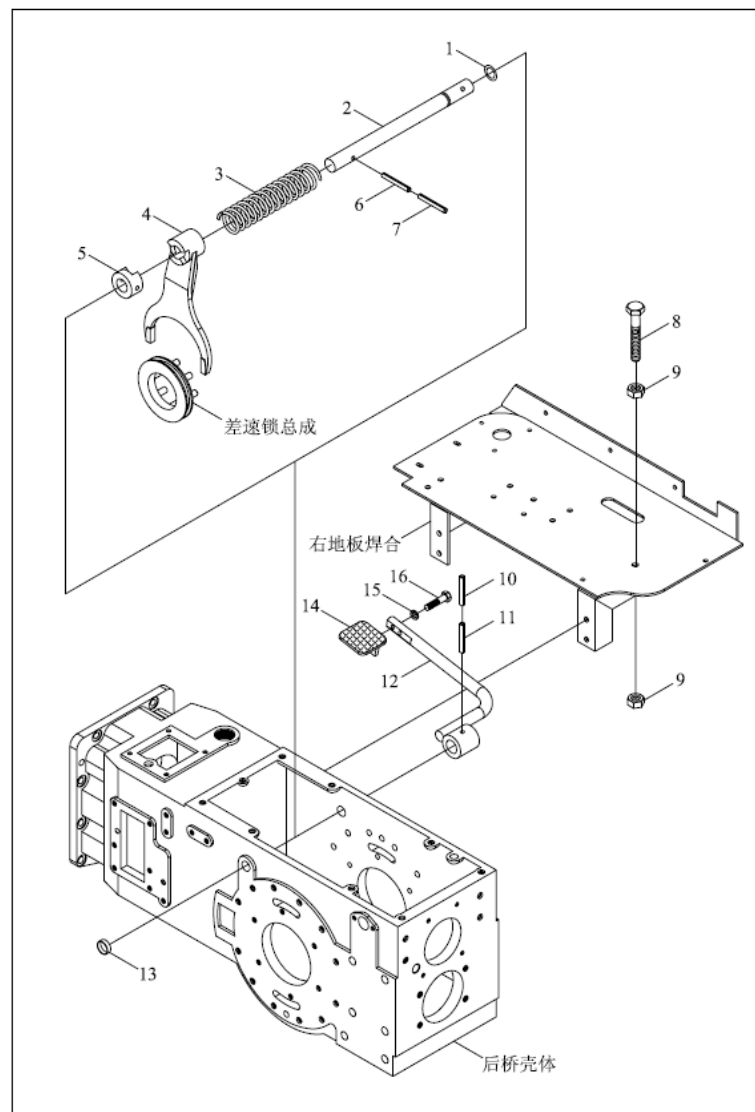
TB504.382 后桥中央传动总成-2



TB504.382-2 38.2.2-后桥中央传动总成-2 REAR AXLE CENTRAL TRANSMISSION ASSEMBLY-2

标号 No.	代号 Code	名称 Description		数量 Quantity	备注 Remark
0	FT300.38.012	差速器总成	DIFFERENTIAL ASSEMBLY	1	2011-11_
1	GBT297-32013	圆锥滚子轴承	BEARING	1	2011-11_
10	FT300.38.183	短行星齿轮轴	SHORT PLANETARY GEAR SHAFT	2	2011-11_
11	FT300.38.184	中心环	CENTRAL RING	1	2011-11_
12	FT300.38.143	左半轴齿轮	LEFT HALF SHAFT GEAR	1	2011-11_
13	FT300.38.180	差速器壳体	DIFFERENTIAL HOUSING	1	2011-11_
14	FT300.38.141	大圆锥齿轮	BIG TAPER GEAR	1	2011-11_
15	FT300.38.185	行星齿轮轴止推螺栓	PLANET GEAR SHAFT THRUST BOLT	4	2011-11_
16	FT300.38.019	差速锁总成	DIFFERENTIAL LOCK ASSEMBLY	1	2011-11_
16	FT300.38.019	差速锁总成	DIFFERENTIAL LOCK ASSEMBLY	1	2011-11_
17	GBT297-30211	圆锥滚子轴承	BEARING	1	2011-11_
18	FT300.38.186	大锥齿轮固定螺栓	FIXING BOLT	4	2011-11_
2	GBT6170-M12-A3L	螺母	NUT	8	2011-11_
3	FT300.38.152	锁紧垫片	LOCKING WASHER	4	2011-11_
4	FT300.38.181	差速器盖	DIFFERENTIAL HOUSING	1	2011-11_
4	FT300.38.181	差速器盖	DIFFERENTIAL HOUSING	1	2011-11_
5	FT300.38.147	半轴齿轮垫片	HALF SHAFT GEAR WASHER	2	2011-11_
6	FT300.38.144	右半轴齿轮	RIGHT HALF SHAFT GEAR	1	2011-11_
7	FT300.38.148	行星齿轮垫片	PLANET GEAR WASHER	4	2011-11_
8	FT300.38.145	行星齿轮	PLANETARY GEAR	4	2011-11_
8	FT300.38.145	行星齿轮	PLANETARY GEAR	4	2011-11_
9	FT300.38.182	长行星齿轮轴	LONG PLANETARY GEAR SHAFT	1	2011-11_

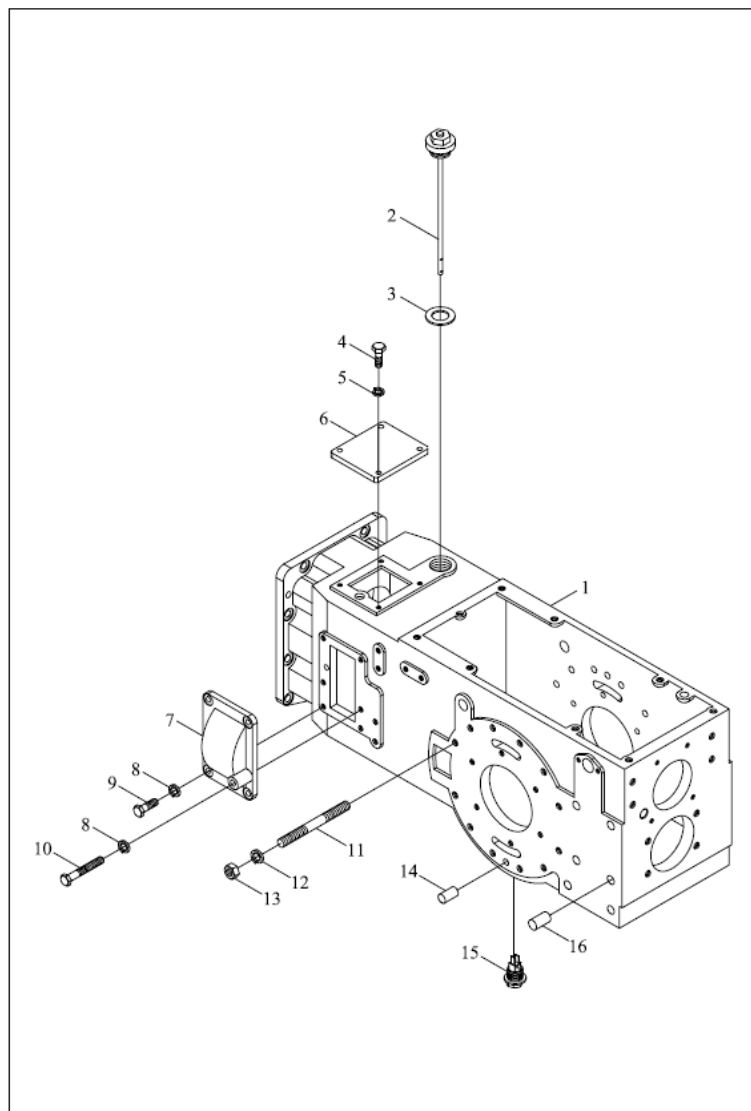
TB554.383A 差速器操纵机构总成



TB554.383A 38.3-差速锁操纵机构总成 38.3-DIFFERENTIAL LOCK CONTROL MECHANISM ASSEMBLY

标号 No.	代号 Code	名称 Description		数量 Quantity	备注 Remark
1	GBT3452.1-15.0X2.65G	液压气动用O形橡胶密封圈	O-SEAL RING	1	2011-11_
10	GBT879.1-6X35	弹性圆柱销	PIN	1	2011-11_
11	GBT879.2-3.5X35	弹性圆柱销	PIN	1	2011-11_
12	TB554.383A.2	差速锁踏板焊合件	DIFFERENTIAL LOCK PEDAL LEVER WELDMENT	1	2004-01_
13	Q72220	碗形塞片	PLUG PIECE	1	2011-11_
14	TB554.383A.1	差速锁踏板焊合件	DIFFERENTIAL LOCK PEDAL WELDMENT	1	2004-01_
14	TB554.383A.4	差速锁上踏杆焊合件	DIFFERENTIAL LOCK PEDAL LEVER WELDMENT	1	2010-03_
15	GBT93-6-A0P	弹簧垫圈	SPRING WASHER	2	2011-11_
16	GBT5783-M6X25-8.8-A2L	六角头螺栓	BOLT	2	2011-11_
2	FT300.38.158a	差速锁拨叉轴	DIFFERENTIAL LOCK FORK SHAFT	1	2011-11_
3	FT300.38.160	差速锁回位弹簧	DIFFERENTIAL LOCK RETURN SPRING	1	2011-11_
4	FT300.38.159a	差速锁拨叉	DIFFERENTIAL LOCK FORK	1	2011-11_
5	FT300.38.190	差速锁拨块	DIFFERENTIAL LOCK DIAL BLOCK	1	2011-11_
6	GBT879.1-6X40	弹簧圆柱销	SPRING COLUMN PIN	1	2011-11_
7	GBT879.2-3.5X40	弹性圆柱销	PIN	1	2011-11_
8	GBT5781-M8X45-A2L	六角头螺栓	BOLT	1	2011-11_
9	GBT6170-M8-A2L	螺母	NUT	2	2011-11_
	TB554.383A.3	差速锁下踏杆焊合件	DIFFERENTIAL LOCK DOWN PEDAL WELDMENT	1	2010-03_

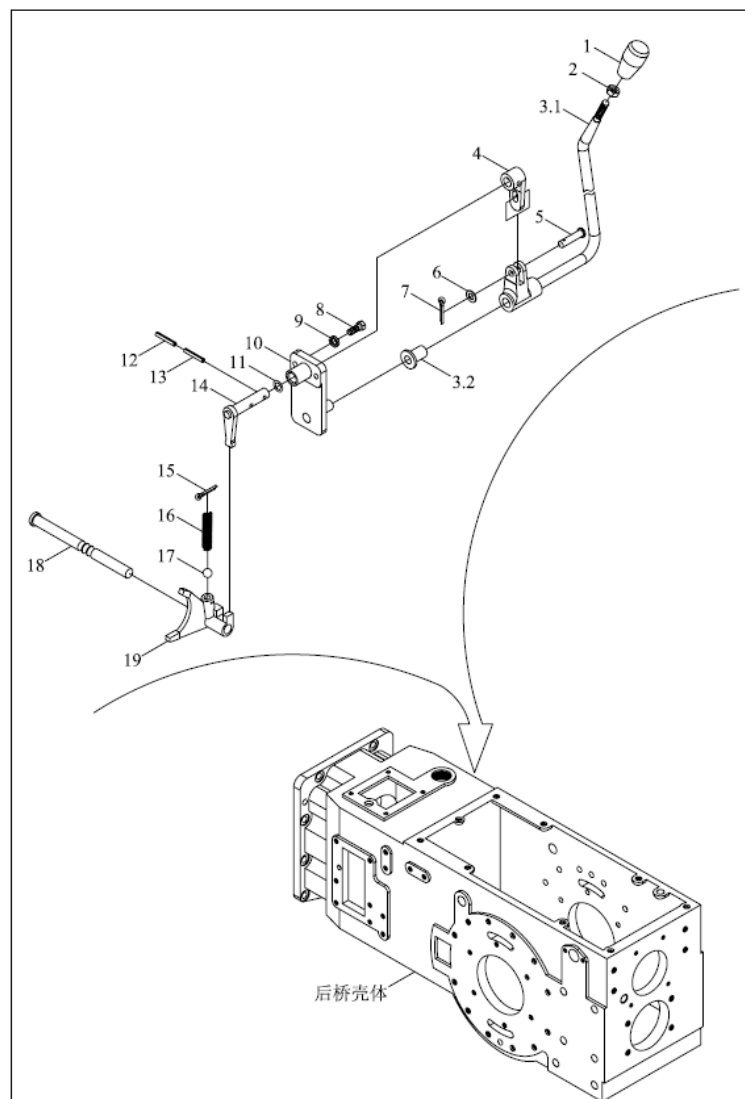
TB504.384 后桥壳体总成



TB504.384 38.4-后桥壳体总成 38.4-REAR AXLE HOUSING ASSEMBLY

标号 No.	代号 Code	名称 Description		数量 Quantity	备注 Remark
1	FT300.38J.101a	后桥壳体	REAR AXLE HOUSING	1	2011-11_
10	GBT5782-M10X60-A3L	六角头螺栓	BOLT	1	2004-01_
11	GBT899-AM12-M12X1.25X150-8.8-A1L	双头螺柱	8.8-A3L STUD	24	
11	GBT899-AM12-M12X1.25X160-8.8-A1L	双头螺柱	8.8-A3L STUD	2	2010-03_
12	GBT93-12-A0P	弹簧垫圈	SPRING WASHER	24	2011-11_
13	GBT6171-M12X1.25-10-A3L	1型六角螺母	NUT	24	2004-01_
14	GBT119.1-12m6X28	圆柱销	PIN	2	2004-01_
15	FT65.38.026	油塞总成	Oil Plug assembly	1	2011-11_
15	FT65.38.026	油塞总成	Oil Plug assembly	1	2011-11_
16	TB554.384-02	销	PIN	4	2011-11_
2	FT300.38.016a	加油通气塞总成	REFUELING AND AIRING PLUG ASSEMBLY	1	2011-11_
3	JBT982-36	组合密封垫圈	COMBINED SEAL GASKET	1	2011-11_
4	GBT5783-M8X20-A2L	螺栓	BOLT	4	2011-11_
5	GBT93-8-A0P	垫圈	WASHER	4	2011-11_
6	FT300.38J.124	上盖	UPPER COVER	1	2011-11_
7	FT300.38J.206	倒档侧盖	REVERSE SIDE COVER	1	2011-11_
8	GBT93-10-A0P	标准型弹簧垫圈	WASHER	6	2011-11_
9	GBT5783-10X25-A3L	六角头螺栓	BOLT	5	2011-11_

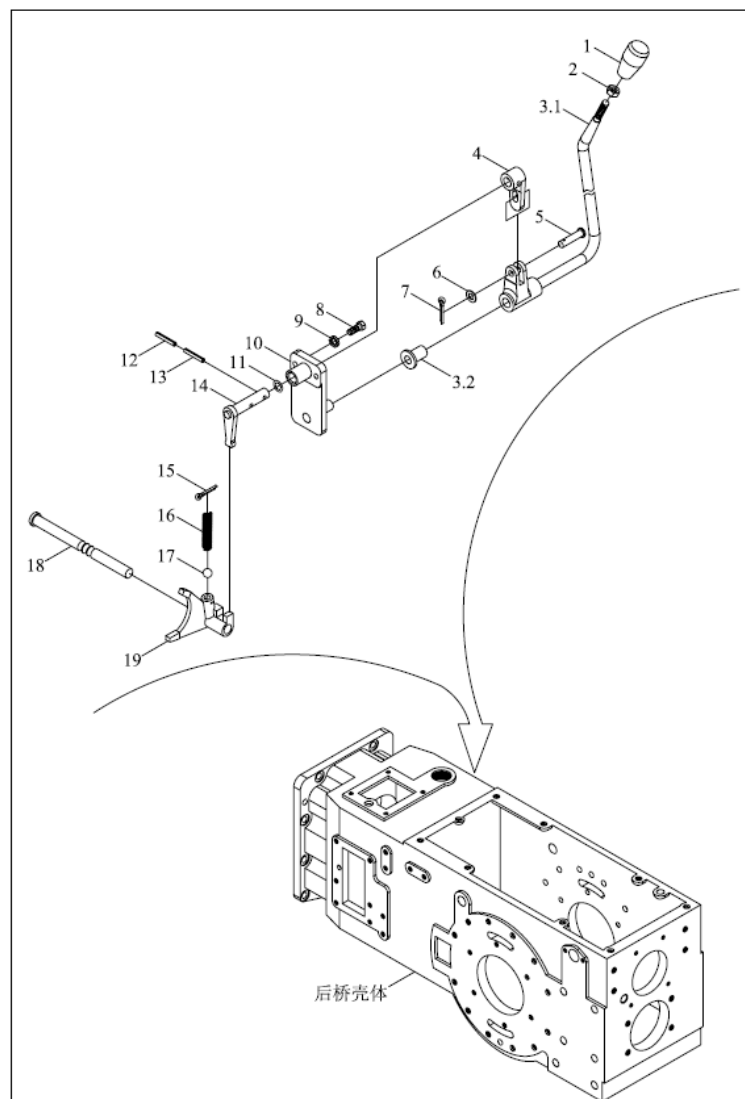
TB554.385 梭式换档机构总成



TB554.385 38.5-梭式换挡机构总成 38.5-SHUTTLE SHIFT MECHANISM ASSEMBLY

标号 No.	代号 Code	名称 Description		数量 Quantity	备注 Remark
1	FT300.41.015	动力输出操纵手柄总成	PTO CONTROL HANDLE ASSEMBLY	1	2011-11_
10	TB554.385.3a	拨杆轴套焊接	LEVER BUSH WELDMENT	1	2010-01_
10	TB554.385.3	拨杆轴套焊接	LEVER BUSH WELDMENT	1	2011-11_
11	GBT3452.1-16.0X2.65G	液压气动用O形橡胶密封圈	O-SEAL RING	1	2011-11_
12	GBT879.1-6X28	弹性圆柱销	PIN	1	2011-11_
12	GBT879.1-6X28	弹性圆柱销	PIN	1	2011-11_
13	GBT879.2-3.5X28	弹性圆柱销	PIN	1	2011-11_
14	TB554.385.2	指形拨杆焊接件	FINGER LEVER WELDMENT	1	2008-09_
14	FT300.38J.023c	指形拨杆焊接件	FINGER LEVER WELDMENT	1	2007-10_
15	GBT91-4X32-A0P	开口销	PIN	1	2011-11_
16	FT704.42B.163	拨叉轴定位弹簧	FORK SHAFT LOCATING SPRING	1	2011-11_
17	GBT308-9.5-G100-b	钢球	BALL	1	2011-11_
18	FT300.38J.203	倒档拨叉轴	REVERSE FORK SHAFT	1	2011-11_
19	FT300.38J.218	倒挡拨叉	REVERSE GEAR FORK	1	2011-11_
2	GBT6170-M10-A3L	螺母	NUT	1	2011-11_
3	TB554.385.1a	倒档操纵杆压合	REVERSE CONTROL LEVER PRESSURE UNIT	1	2010-01_
3	TB554.385.1	倒档操纵杆压合	REVERSE CONTROL LEVER PRESSURE UNIT	1	2004-01_
3.1	FT300.38J.022b	倒档操纵杆焊接	REVERSE CONTROL LEVER WELDMENT	1	2008-07_
3.1	FT300.38J.022b	倒档操纵杆焊接	REVERSE CONTROL LEVER WELDMENT	1	2008-07_
3.1	FT300.38J.022c	倒档操纵杆总成	REVERSE CONTROL LEVER ASSEMBLY	1	2010-01_
3.1	FT300.38J.022a	倒档操纵杆总成	REVERSE CONTROL LEVER ASSEMBLY	1	2004-01_
3.2	TB504.385.1-01	衬套	SLEEVE	1	2011-11_
4	FT300.38J.231b	摇臂	ROCKER	1	2007-10_
4	FT300.38J.231a	摇臂	ROCKER	1	
4	FT300.38J.216	摇臂	ROCKER	1	2010-08_

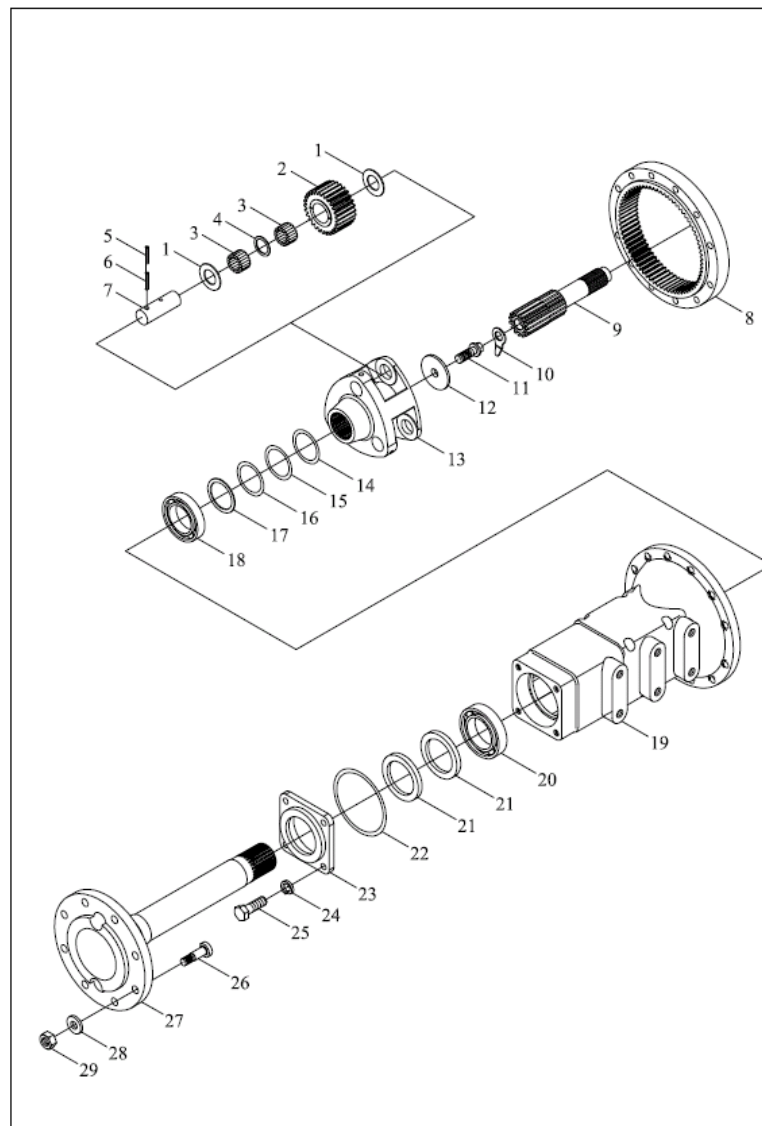
TB554.385 梭式换挡机构总成



TB554.385 38.5-梭式换档机构总成(续)

标号 No.	代号 Code	名称 Description		数量 Quantity	备注 Remark
4	FT300.38J.231b	摇臂	ROCKER	1	2007-10_
5	GBT882-B10X30-A0P	销轴	PIN	1	2011-11_
6	GBT848-10-A0P	小垫圈	WASHER	1	2011-11_
7	GBT91-3.2X40-A0P	开口销	PIN	1	2011-11_
8	TB400.385-09	螺栓	BOLT	2	2011-11_
9	GBT93-10-A0P	标准型弹簧垫圈	WASHER	2	2011-11_

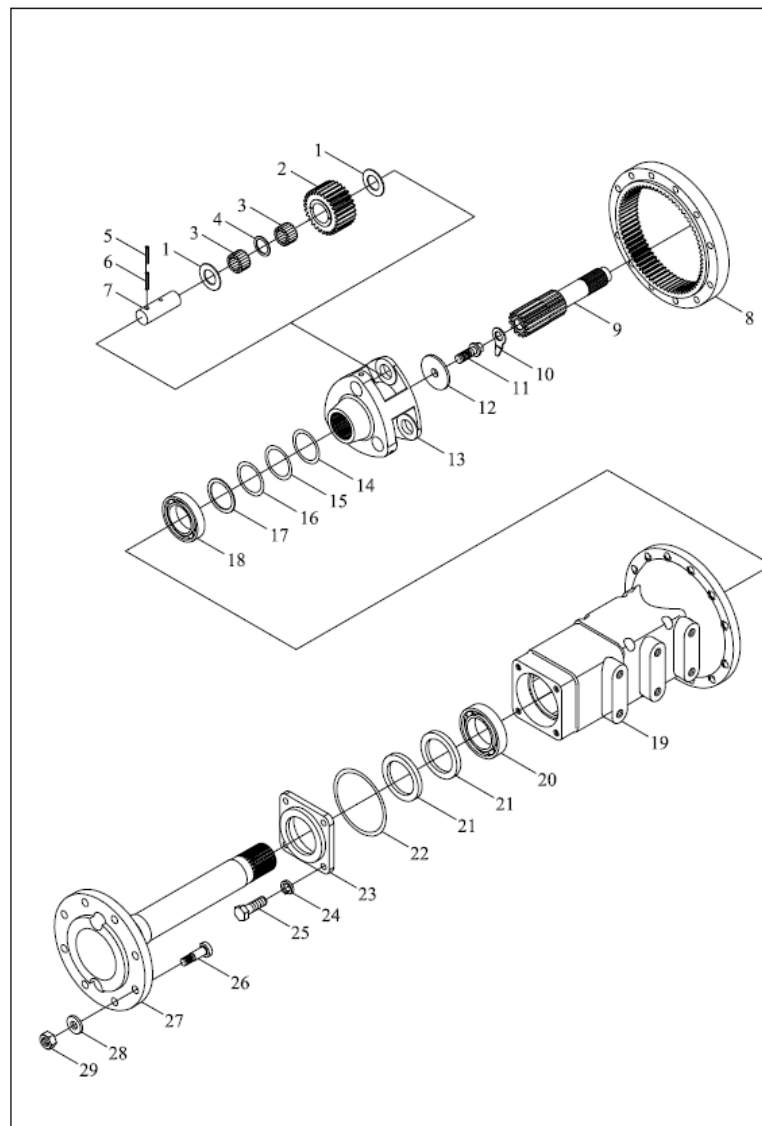
FT300.39.001 Final transmission assembly--1



FT300.39.001-1 39.1-最终传动总成-1 39FINAL TRANSMISSION ASSEMBLY -1

标号 No.	代号 Code	名称 Description		数量 Quantity	备注 Remark
1	FT300.39.109	滚针外隔圈	NEEDLE OUTER SPACER RING	6	2011-11_
10	FT300.39.110	驱动轴锁片	DRIVING SHAFT LOCK PIECE	1	2011-11_
11	FT300.39.112	驱动轴锁紧螺栓	DRIVING SHAFT LOCK BOLT	1	2011-11_
12	FT300.39.111	挡块	RETAINER BLOCK	1	2011-11_
13	FT300.39.104	行星架	PLANET CARRIER	1	2011-11_
14	FT300.39.123	调整垫片	ADJUSTING WASHER	999	2011-11_
15	FT300.39.122	调整垫片	ADJUSTING WASHER	999	2011-11_
16	FT300.39.121	调整垫片	ADJUSTING WASHER	999	2011-11_
16	FT300.39.121	调整垫片	ADJUSTING WASHER	999	2011-11_
17	FT300.39.113	隔套	SPACER BUSH	1	2011-11_
18	GBT276-6211	深沟球轴承	BEARING	1	2011-11_
19	FT300.39.115	左驱动轴壳体	LEFT DRIVING SHAFT HOUSING	1	2011-11_
2	FT300.39.103	行星轮	PLANET GEAR	3	2011-11_
20	GBT276-6212	球轴承	BALL BEARING	1	2011-11_
21	GBT9877.1-FB70X95X10D	内包骨架旋转轴唇形密封	O RING	2	2011-11_
22	GBT3452.1-115X3.55G	液压气动用O形橡胶密封圈	O-SEAL RING	1	2004-01_
23	FT300.39.116	油封座	OIL SEAL CAGE	1	2011-11_
24	GBT93-12-AOP	垫圈	WASHER	4	2011-11_
25	GBT5783-M12X30-8.8-A3L	六角头螺栓	BOLT	4	
26	FT300.39.136	后轮毂螺栓(左)	REAR HUB BOLT (LEFT)	8	2011-11_
27	FT300.39.118	驱动轴	DRIVING SHAFT	1	2011-11_
28	FT300.39.137	垫圈	WASHER	8	2011-11_
29	GBT6176-M16X1.5-LH-10-A3L	2型六角螺母	HEXAGON NUT, TYPE-2	8	2004-01_
3	GBT309-P5X23.8-G2	滚针轴承	NEEDLE BEARINGS	132	2011-11_
4	FT300.39.105	滚针内隔圈	NEEDLE INNER SPACER RING	3	2011-11_

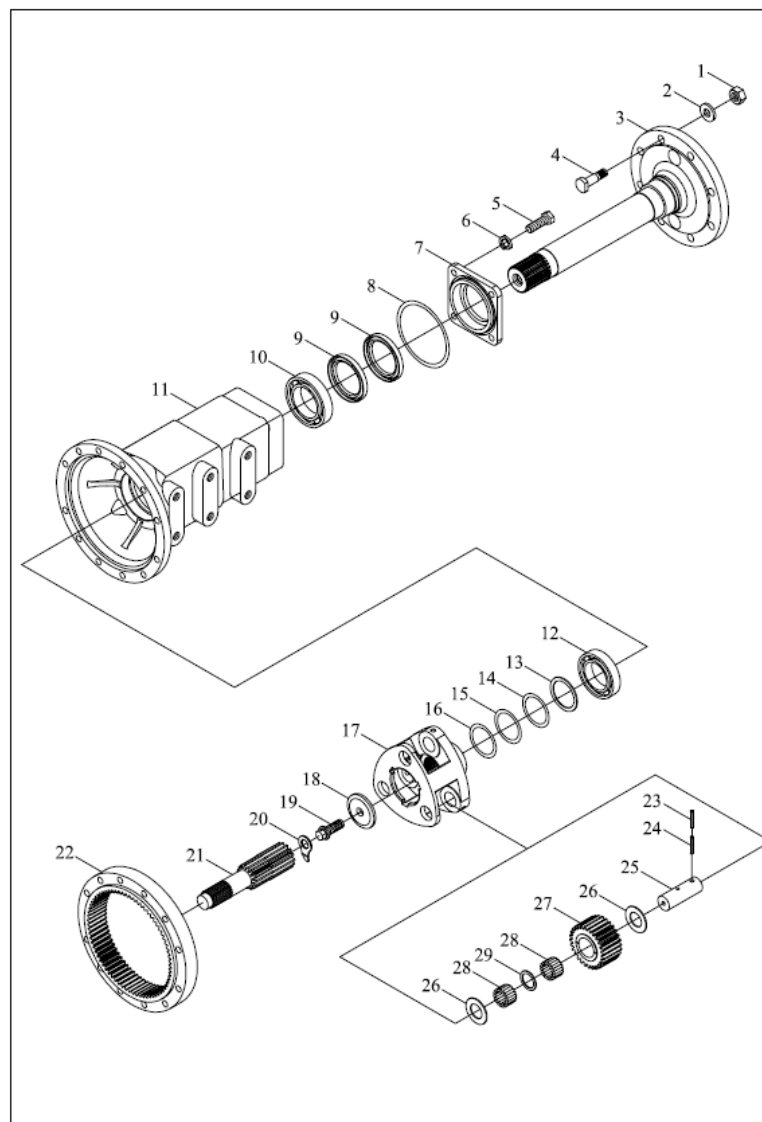
FT300.39.001 Final transmission assembly--1



FT300.39.001-1 39.1-最终传动总成-1(续)

标号 No.	代号 Code	名称 Description		数量 Quantity	备注 Remark
5	GBT879.1-5X24	弹性圆柱销	PIN	3	2011-11_
6	GBT879.1-8X24	弹性圆柱销	PIN	3	2011-11_
7	FT300.39.106	行星轮轴	PLANET GEAR SHAFT	3	2011-11_
8	FT300.39.107	齿圈	GEAR RING	1	2011-11_
9	FT300.39.101	左半轴	LEFT HALF SHAFT	1	2011-11_

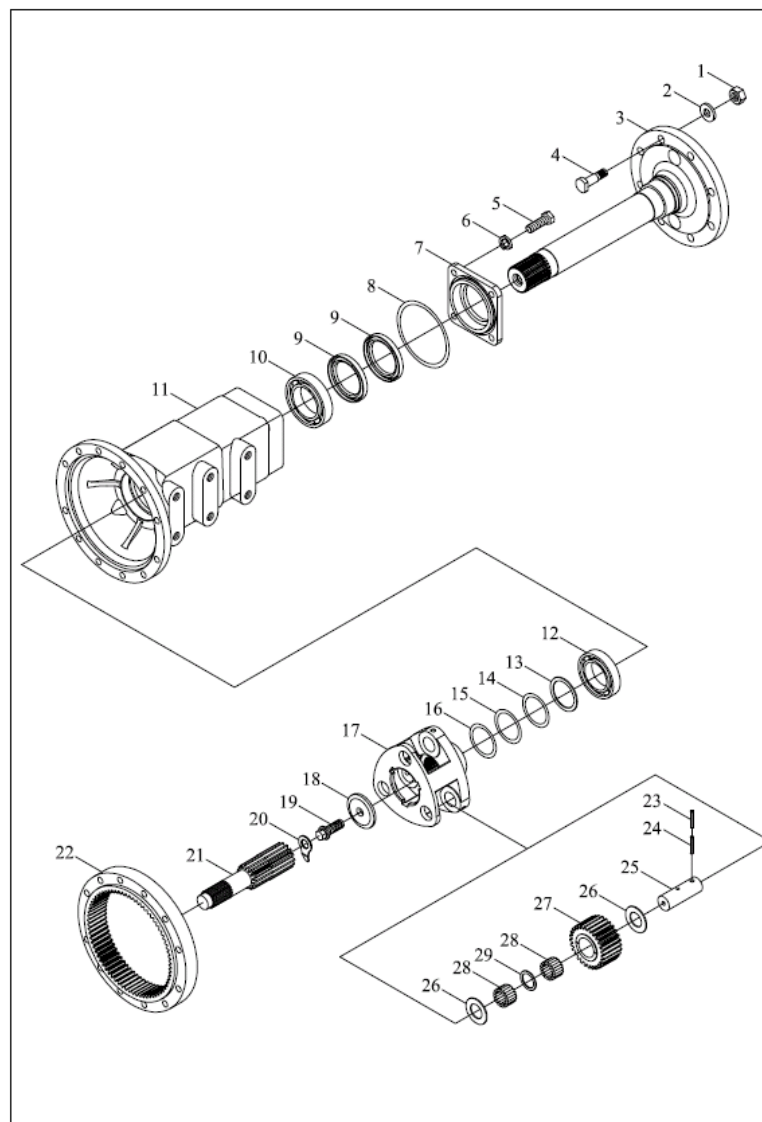
FT300.39.001 Final transmission assembly- -2



FT300.39.001-2 39.2-最终传动总成-2 39FINAL TRANSMISSION ASSEMBLY -2

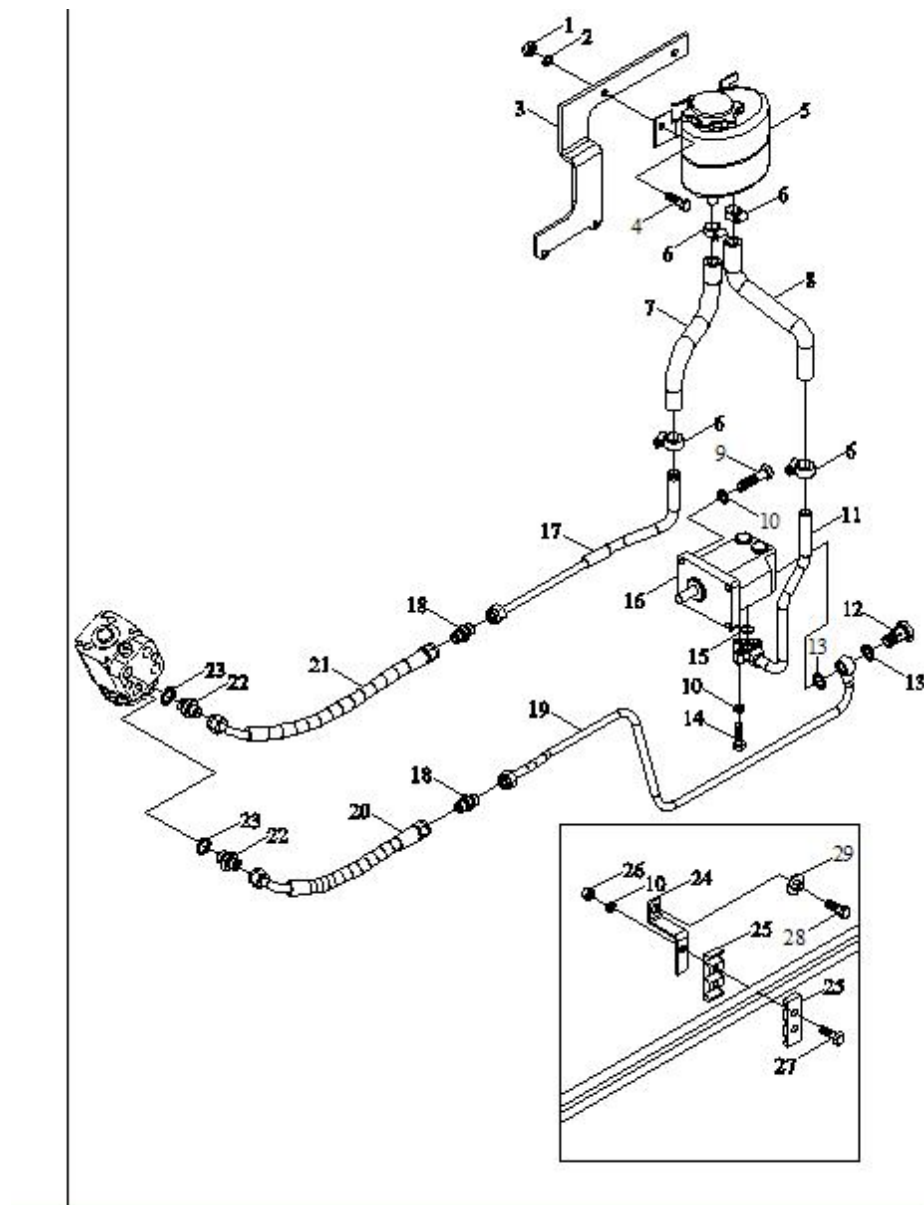
标号 No.	代号 Code	名称 Description	数量 Quantity	备注 Remark
1	GBT6176-M16X1.5-LH-10-A3L	2型六角螺母	8	2011-11_
10	GBT276-6212	球轴承	1	2011-11_
11	FT300.39.114	右驱动轴壳体	1	2011-11_
12	GBT276-6211	深沟球轴承	1	2011-11_
13	FT300.39.113	隔套	1	2011-11_
14	FT300.39.121	调整垫片	9999	2011-11_
14	FT300.39.121	调整垫片	9999	2011-11_
15	FT300.39.122	调整垫片	9999	2011-11_
16	FT300.39.123	调整垫片	9999	2011-11_
17	FT300.39.104	行星架	1	2011-11_
18	FT300.39.111	挡块	1	2011-11_
19	FT300.39.112	驱动轴锁紧螺栓	1	2011-11_
2	FT300.39.137	垫圈	8	2011-11_
20	FT300.39.110	驱动轴锁片	1	2011-11_
21	FT300.39.102	右半轴	1	2011-11_
21	FT300.39.102	右半轴	1	2011-11_
22	FT300.39.107	齿圈	1	2011-11_
23	GBT879.1-5X24	弹性圆柱销	3	2011-11_
24	GBT879.1-8X24	弹性圆柱销	3	2011-11_
25	FT300.39.106	行星轮轴	3	2011-11_
26	FT300.39.109	滚针外隔圈	6	2011-11_
27	FT300.39.103	行星轮	3	2011-11_
28	GBT309-P5X23.8-G2	滚针轴承	132	2011-11_
29	FT300.39.105	滚针内隔圈	3	2011-11_
3	FT300.39.118	驱动轴	1	2011-11_

FT300.39.001 Final transmission assembly- -2



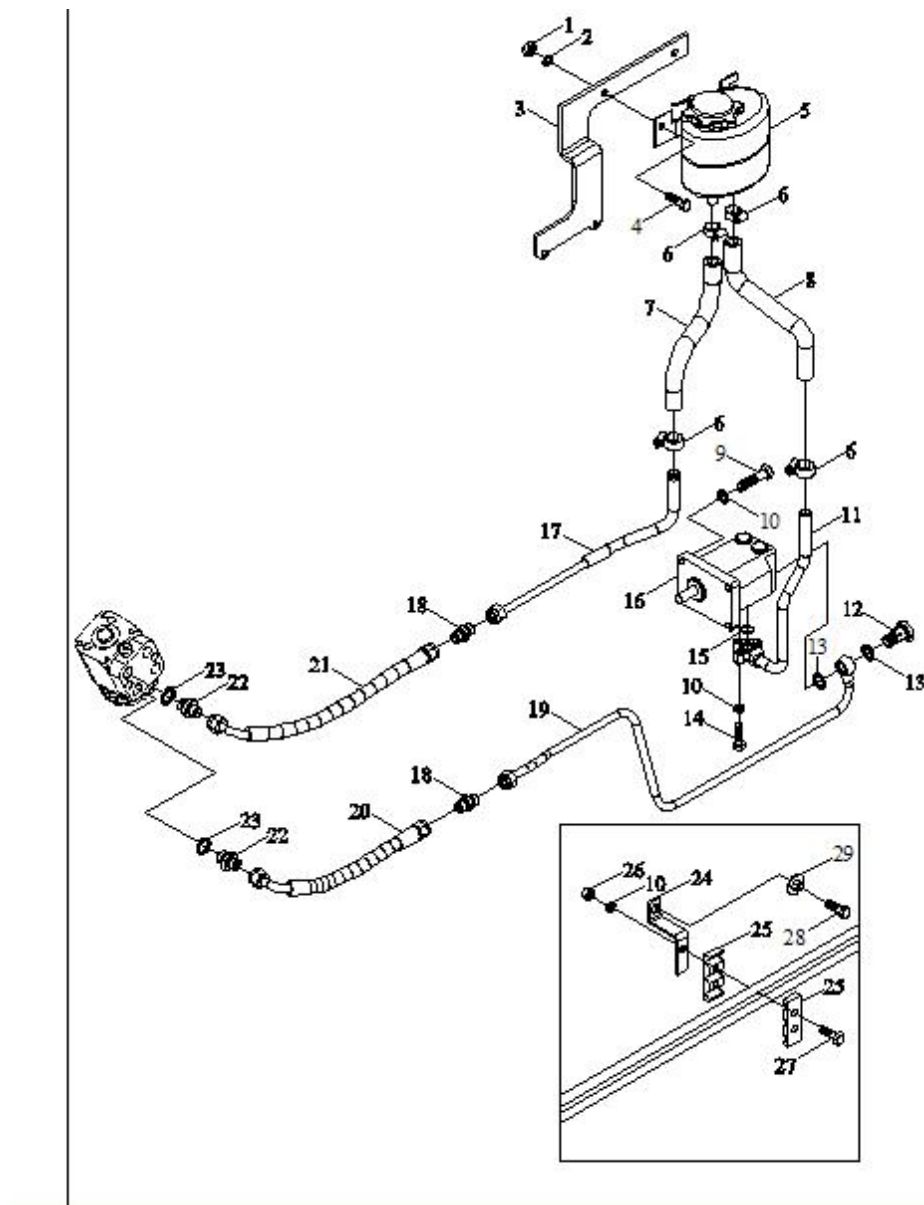
FT300.39.001-2 39.2-最终传动总成-2(续)

标号 No.	代号 Code	名称 Description		数量 Quantity	备注 Remark
4	FT300.39.135	后轮毂螺栓	REAR HUB BOLT	8	2011-11_
5	GBT5783-M12X30-8.8-A3L	六角头螺栓	BOLT	4	2011-11_
6	GBT93-12-AOP	垫圈	WASHER	4	2011-11_
7	FT300.39.116	油封座	OIL SEAL CAGE	1	2011-11_
8	GBT3452.1-115X3.55G	液压气动用O形橡胶密封圈	O-SEAL RING	1	2011-11_
9	GBT9877.1-FB70X95X10D	内包骨架旋转轴唇形密封	O RING	2	2011-11_



TB504.402B-1 40.1-全液压转向管路总成-1 FULL HYDRAULIC STEERING PIPE ASSEMBLY-1

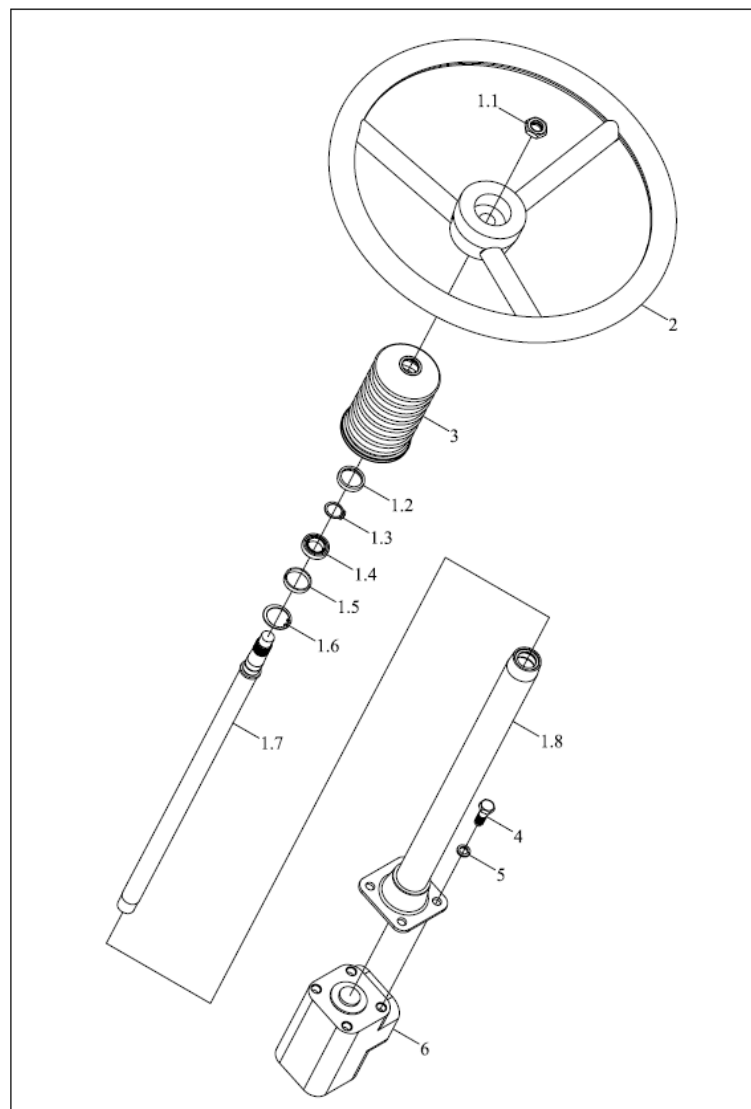
标号 No.	代号 Code	名称 Description		数量 Quantity	备注 Remark
1	GBT6170-M10-A3L	螺母	NUT	2	
10	GBT93-8-A0P	垫圈	WASHER	8	
11	FT450.40Y.011	油泵吸油钢管焊合件	OIL PUMP INLET STEEL PIPE WELDMENT	1	
12	FT650.40.105-M18X1.5	空心螺栓	HOLLOW BOLT	1	
13	JBT982-18	组合密封垫圈	COMBINED SEAL GASKET	2	
13	JBT982-18	组合密封垫圈	COMBINED SEAL GASKET	2	
14	GBT5783-M8X30-8.8-A2L	六角头螺栓	BOLT	3	
15	GBT3452.1-17.0X2.65G	液压气动用O形橡胶密封圈	O-SEAL RING	1	2012-12_
15	GBT3452.1-16.0X2.65G	液压气动用O形橡胶密封圈	O-SEAL RING	1	
16	FT354.40J.011	恒流溢流泵	PERMANENT OVERFLOW PUMP	1	
17	TB504.402B.7	输油钢管焊合	OIL CONVEYING PIPE WELDMENT	1	
17	TB504.402B.7a	输油钢管总成7	OIL CONVEYING PIPE ASSEMBLY 7	1	2012-12_
18	GBT3737.2-G12	直通接头体	STRAIGHT THREAD JOINT	2	
19	TB504.402B.8a	输油钢管焊合8	OIL CONVEYING PIPE WELDMENT 8	1	2012-12_
19	TB504.402B.8	输油钢管焊合	OIL CONVEYING PIPE WELDMENT	1	
2	GBT93-10-A0P	标准型弹簧垫圈	WASHER	4	
20	TB504.402B.12	输油胶管总成3	OIL CONVEYING HOSE ASSEMBLY 3	1	2012-12_
20	TB504.402B.3	输油胶管总成	OIL CONVEYING HOSE ASSEMBLY	1	
21	TB504.402B.4	输油胶管总成	OIL CONVEYING HOSE ASSEMBLY	1	
22	TH354.402-11	管接头	PIPE JOINT	2	
23	JBT982-20	组合密封垫圈	COMBINED SEAL GASKET	2	
24	TB504.402B-01a	油管支架1	OIL PIPE BRACKET1	1	2012-12_
24	TB504.402B-01	油管支架1	OIL PIPE BRACKET1	1	
25	TG1204.402F-02	3孔管夹	THREE-HOLE PIPE CLAMP	2	
26	GBT6170-M8-A2L	螺母	NUT	1	



TB504.402B-1 40.1-全液压转向管路总成-1(续)

标号 No.	代号 Code	名称 Description		数量 Quantity	备注 Remark
27	GBT5783-M8X35-8.8-A2L	六角头螺栓	BOLT	1	
28	GBT5783-M8X20-8.8-A2L	六角头螺栓	BOLT	1	
29	GBT97.1-8-A0P	平垫圈	WASHER	1	
3	TB450.40X-01	转向油箱支架	STEERING OIL TANK BRACKET	1	
3	TB504.402B.11	转向油箱支架焊接	STEERING OIL TANK BRACKET WELDMENT	1	2012-12_
4	GBT5783-M10X25-8.8-A3L	六角头螺栓	BOLT	2	
5	FT354.40C.011	转向油箱及呼吸器总成	STEERING OIL TANK AND BREATH ASSEMBLY	1	
6	Q67627	软管环箍27	HOSE HOOP 27	4	
7	TB504.402-04	回油软管	OIL RETURN HOSE	1	
8	TB504.402B-03	吸油软管	OIL SUCTION HOSE	1	2012-12_
8	FT400.40X.104	吸油软管	OIL SUCTION HOSE	1	
9	GBT5782-M8X60-8.8-A2L	六角头螺栓	BOLT	4	

TB504.401B 转向器及转向管柱总成

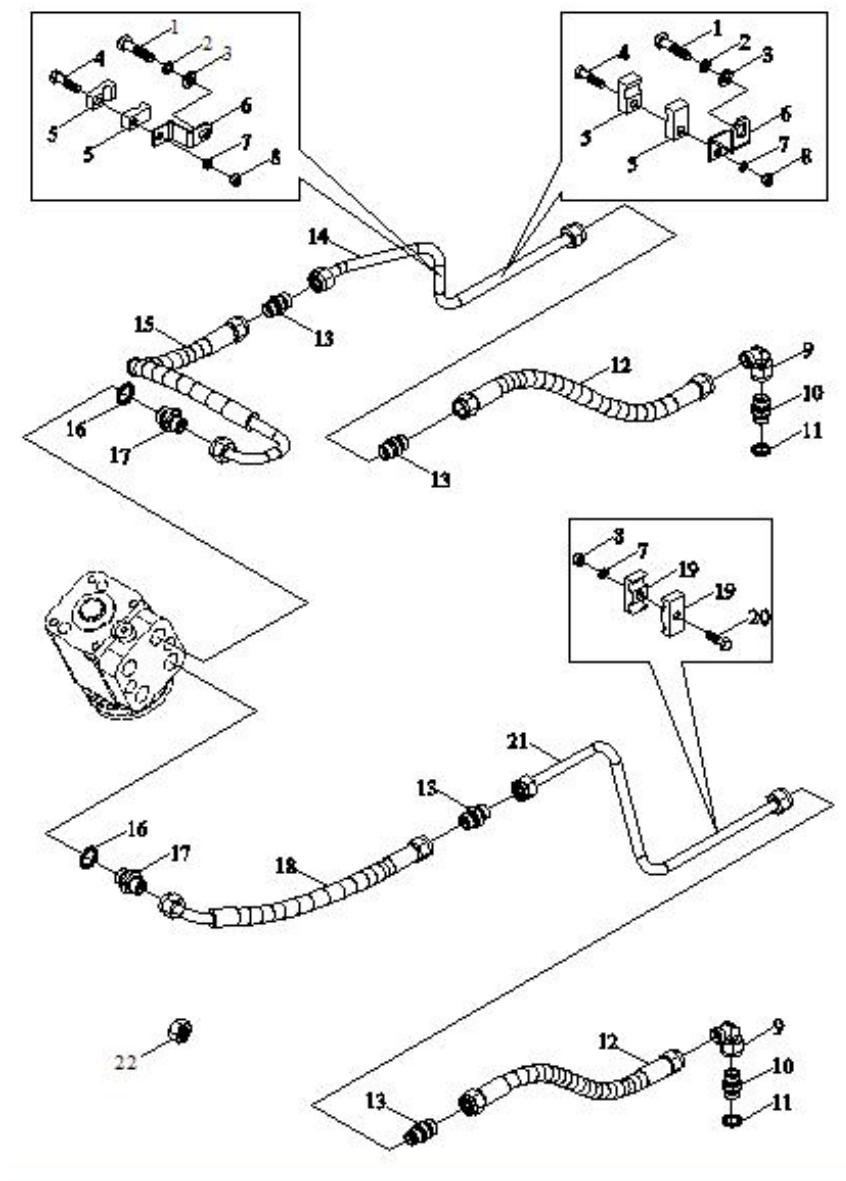


TB504.401B 40.1-转向器及转向管柱总成 40.1-REDIRECTOR OR STEERING COLUMN ASSEMBLY

标号 No.	代号 Code	名称 Description		数量 Quantity	备注 Remark
1	FT354.40C.016a	转向管柱总成	STEERING PIPE COLUMN ASSEMBLY	1	
1	FT354.40C.016a	转向管柱总成	STEERING PIPE COLUMN ASSEMBLY	1	
1.1	GBT6173-M16X1.5-A3L	六角薄螺母	NUT	1	2011-11_
1.2	FT650.40.172	轴承挡圈	BEARING RETAINER RING	1	2011-11_
1.3	GBT894.1-20	挡圈20	BLCOKING RING	1	2011-11_
1.4	GBT276-61804-2LS	轴承	BEARING	1	2011-11_
1.5	FT650.40.173	轴承挡圈2	BEARING RETAINER RING 2	1	2011-11_
1.6	GBT893.1-32	挡圈	RETAINER RING	1	2011-11_
1.7	FT354.40C.130a	转向杆	STEERING ROD	1	2009-12_
1.8	FT354.40C.030	转向套管焊合	STEERING SLEEVE WELDMENT	1	2011-11_
2	FT400.40.016	转向盘总成	STEERING WHEEL ASSEMBLY	1	2011-11_
3	TB504.401-01	转向杆防护套	STEERING ROD SHIELD SLEEVE	1	2011-11_
3	TB504.401-01	转向杆防护套	STEERING ROD SHIELD SLEEVE	1	2011-11_
4	GBT5783-M10X30-8.8-A3L	六角头螺栓	BOLT	4	2011-11_
5	GBT93-10-A0P	标准型弹簧垫圈	WASHER	4	2011-11_
6	FT354.40C.015	液压转向器总成	HYDRAULIC STEERING MECHANISM ASSEMBLY	1	2011-11_
6	FT354.40C.015	液压转向器总成	HYDRAULIC STEERING MECHANISM ASSEMBLY	1	2011-11_

TB504.402J 40.2-全液压转向总成 40.2-FULLY HYDRAULIC STEERING ASSEMBLY

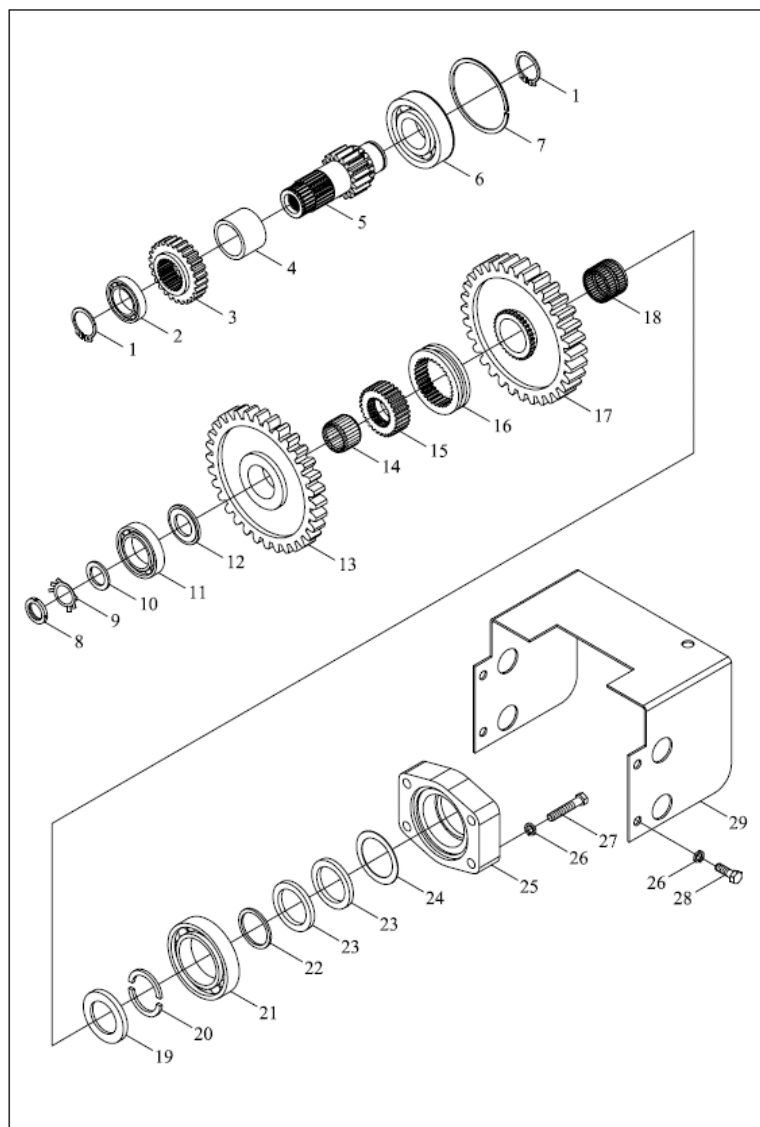
标号 No.	代号 Code	名称 Description	数量 Quantity	备注 Remark
	TB504.402J-2	40.22-全液压转向总成	1	2014-04_
	TB504.402J-1	40.21-全液压转向总成	1	2014-04_



TB504.402B-2 40.2-全液压转向管路总成-2 FULL HYDRAULIC STEERING PIPE ASSEMBLY-2

标号 No.	代号 Code	名称 Description		数量 Quantity	备注 Remark
1	GBT5783-M10X20-8.8-A3L	六角头螺栓	BOLT	2	
1	GBT5783-M10X20-8.8-A3L	六角头螺栓	BOLT	2	
10	TB504.402B.10	卡套式组合直角管接头	JOINT	2	
11	JBT982-16	组合密封垫圈	COMBINED SEAL GASKET	2	
12	TB504.402B.5	输油胶管总成	OIL CONVEYING HOSE ASSEMBLY	2	
13	GBT3737.2-G12	直通接头体	STRAIGHT THREAD JOINT	4	
14	TB504.402B.2	输油钢管总成	OIL CONVEYING PIPE ASSEMBLY	1	
14	TB504.402B.2a	输油钢管总成2	OIL CONVEYING PIPE ASSEMBLY 2	1	2012-12_
15	TB504.402B.6	输油胶管总成	OIL CONVEYING HOSE ASSEMBLY	1	
16	JBT982-20	组合密封垫圈	COMBINED SEAL GASKET	2	
17	TH354.402-11	管接头	PIPE JOINT	2	
18	TB504.402B.9	输油胶管总成	OIL CONVEYING HOSE ASSEMBLY	1	
19	TG1204.402E-03	双孔管夹	DOUBLE-HOLE PIPE CLIP	2	
2	GBT93-10-A0P	标准型弹簧垫圈	WASHER	2	
20	GBT5783-M8X35-8.8-A2L	六角头螺栓	BOLT	1	
21	TB504.402B.1a	输油钢管总成1	OIL CONVEYING PIPE ASSEMBLY 1	1	2012-12_
21	TB504.402B.1	输油钢管总成	OIL CONVEYING PIPE ASSEMBLY	1	
22	GBT6170-M8-8-A2L	I型六角螺母	I-TYPE HEXAGON NUT	1	
3	GBT97.1-10-A0P	平垫圈	WASHER	2	
4	GBT5782-M8X40-8.8-A2L	六角头螺栓	BOLT	2	
5	TG1654.402-07	单孔管夹	SINGLE HOLE PIPE CLAMP	4	
6	TB504.402-10	油管支架Ⅲ	OIL PIPE BRACKET 3	2	
7	GBT93-8-A0P	垫圈	WASHER	3	
8	GBT6170-M8-A2L	螺母	NUT	3	
9	GBT3733.2-G12	卡套式端直通接头体	STRAIGHT PIPE JOINT BODY	2	

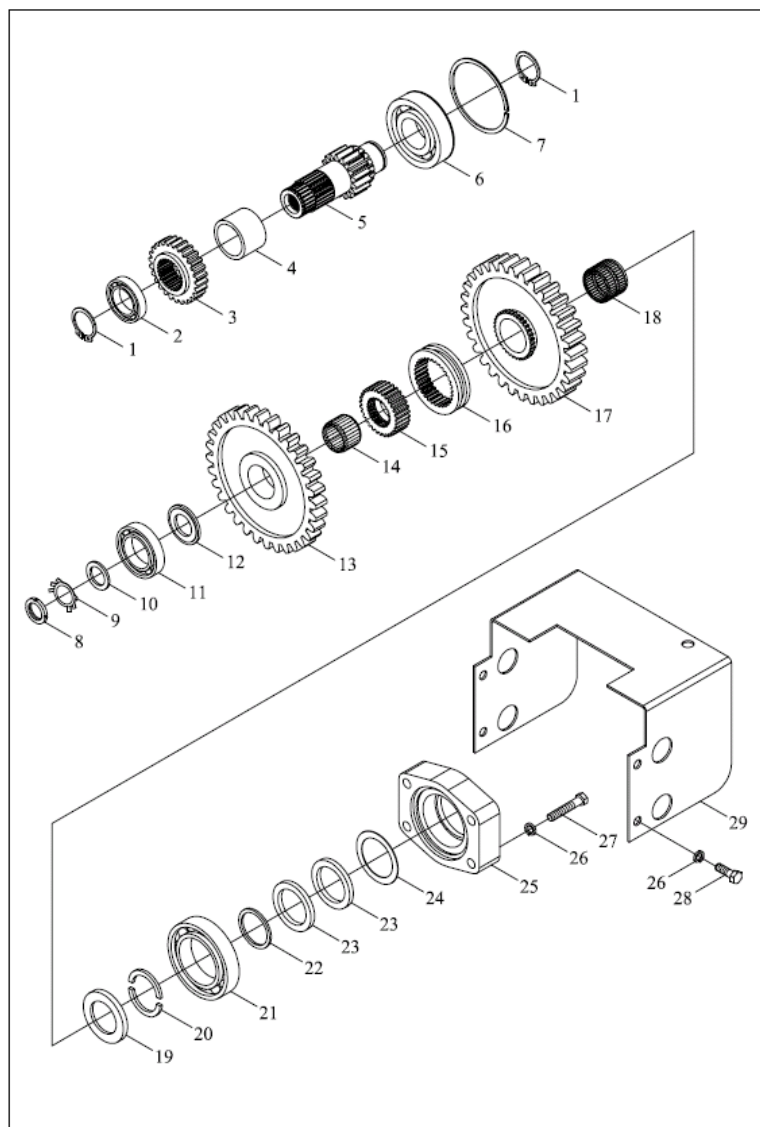
TB400.411DPTO gear assembly



TB400.411D 41.1-动力输出齿轮总成 41.1-PTO GEAR ASSEMBLY

标号 No.	代号 Code	名称 Description		数量 Quantity	备注 Remark
1	GBT894.1-40	挡圈40	WASHER 40	2	2011-11_
10	FT300.41.122	垫圈	WASHER	1	2011-11_
11	GBT276-6306	深沟球轴承	BEARING	1	2011-11_
12	FT300.41C.118	输出轴前挡环	OUTPUT SHAFT FRONT RETAINER RING	1	2011-11_
13	FT300.41E.105	动力输出被动小齿轮	PTO DRIVEN SMALL GEAR	1	2011-11_
14	JBT7918-K35X40X27	向心滚针和保持架组件	NEEDLE AND CARRIER UNIT	1	2011-11_
15	FT300.41C.117	动力输出啮合座	PTO MESHING SEAT	1	2011-11_
15	FT300.41C.117	动力输出啮合座	PTO MESHING SEAT	1	2011-11_
16	FT300.41C.116	动力输出啮合套	PTO SHIFT COLLAR	1	2011-11_
17	FT300.41E.103	动力输出被动大齿轮	PTO DRIVEN BIG GEAR	1	2011-11_
19	FT300.41E.114	后挡环	REAR RETAINER RING	1	2011-11_
2	GBT276-6208	深沟球轴承	BEARING	1	2011-11_
20	FT300.41E.119	输出轴半挡环	OUTPUT SHAFT HALF RETAINER RING	2	2011-04_
21	GBT276-6309	深沟球轴承	BEARING	1	2011-11_
22	FT300.41E.113	输出轴轴承垫圈	OUTPUT SHAFT BEARING WASHER	1	2011-11_
23	GBT9877.1-FB50X72X8D	内包骨架旋转轴唇形密封	O RING	2	2011-11_
24	FT300.41E.115	油封挡圈	OIL SEAL RETAINER RING	1	2011-11_
25	FT300.41E.101	后端盖 I	REAR END COVER I	1	2011-11_
26	GBT93-12-AOP	垫圈	WASHER	8	2011-11_
27	GBT5782-M12X55	六角头螺栓	BOLT	4	2004-01_
28	GBT5781-M12X25-A3L	六角头螺栓	BOLT	4	2011-11_
29	FT300.41.131a	安全防护罩	SAFTY BONNET	1	2011-11_
3	FT300.41E.120	动力输出高档主动齿轮	PTO HIGH GEAR DRIVING GEAR	1	2011-11_
3	FT300.41E.120	动力输出高档主动齿轮	PTO HIGH GEAR DRIVING GEAR	1	2011-11_
4	FT300.41E.121	隔套	SPACER BUSH	1	2011-11_

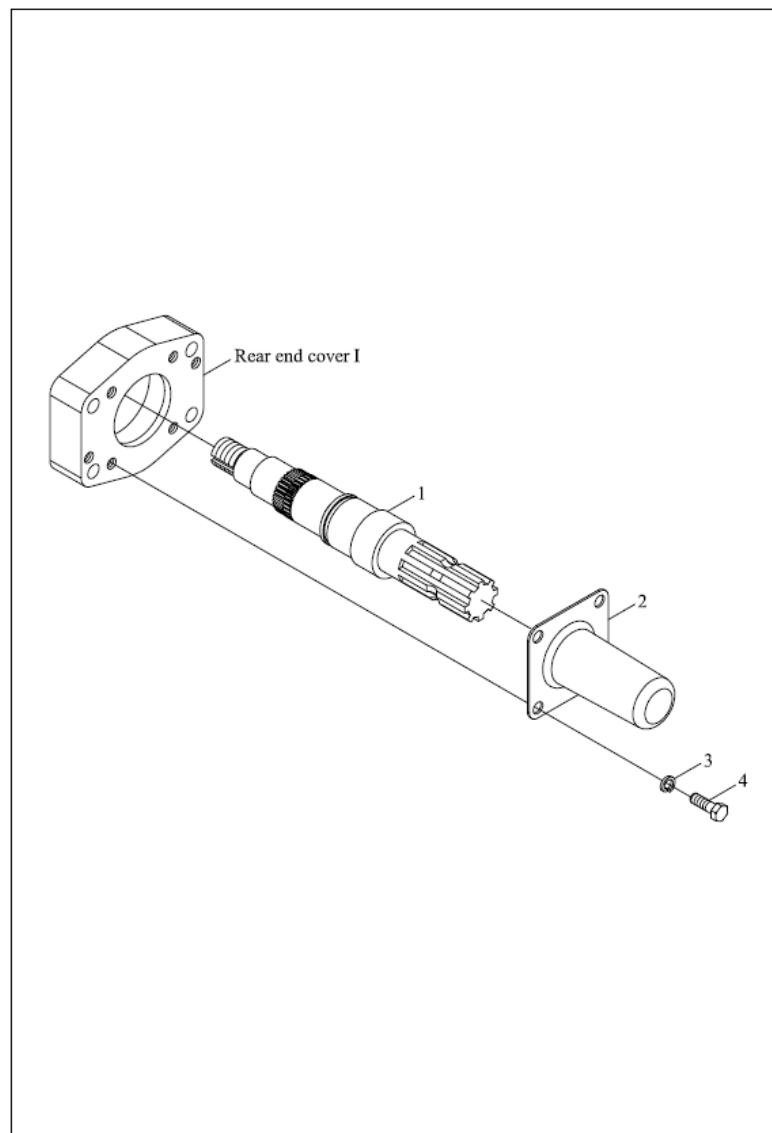
TB400.411DPTO gear assembly



TB400.411D 41.1-动力输出齿轮总成(续)

标号 No.	代号 Code	名称 Description		数量 Quantity	备注 Remark
5	FT300.41E.106	动力输出低档主动齿轮	PTO LOW GEAR DRIVING GEAR	1	2011-11_
5	FT300.41E.106	动力输出低档主动齿轮	PTO LOW GEAR DRIVING GEAR	1	2011-11_
6	GBT276-6308N	深沟球轴承	BEARING	1	2011-11_
7	GBT305-90-96.5	止动环	THRUST RING	1	2011-11_
8	GBT812-M25X1.5	圆螺母	ROUND NUT	1	2011-11_
9	GBT858-25	止退垫圈	WASHER LOCK	1	2011-11_

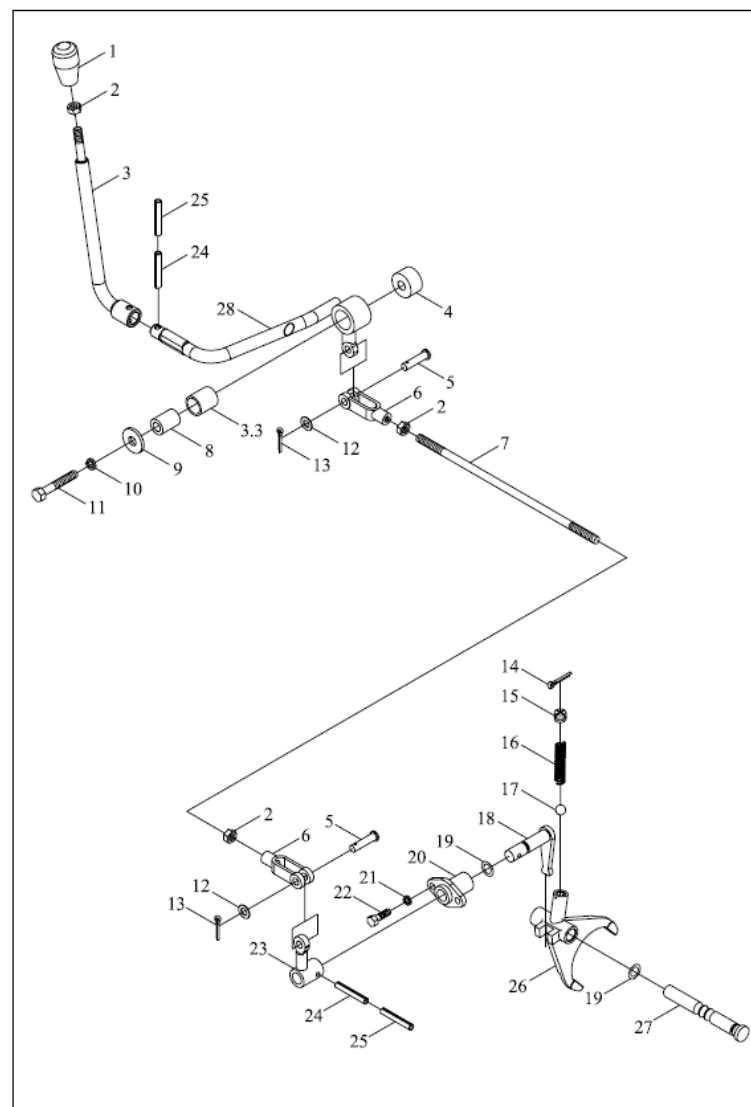
TB550.412A Power shaft assembly



TB550.412A 41.2-动力输出轴总成 41.2-PTO SHAFT ASSEMBLY

标号 No.	代号 Code	名称 Description		数量 Quantity	备注 Remark
1	TB550.412A-01	I 35型动力输出轴	TYPE-I 35 PTO SHAFT	1	2011-11_
1	TB550.412A-01	I 35型动力输出轴	TYPE-I 35 PTO SHAFT	1	2011-11_
2	TE250.411C-02	动力输出轴护罩	PTO SHAFT HOOD	1	2008-11_
2	FT300.41E.102	动力输出轴盖	PTO SHAFT COVER	1	2004-01_
3	GBT93-10	垫圈10	WASHER 10	4	2011-11_
4	GBT5783-10X20-A3L	六角头螺栓	BOLT	4	2011-11_

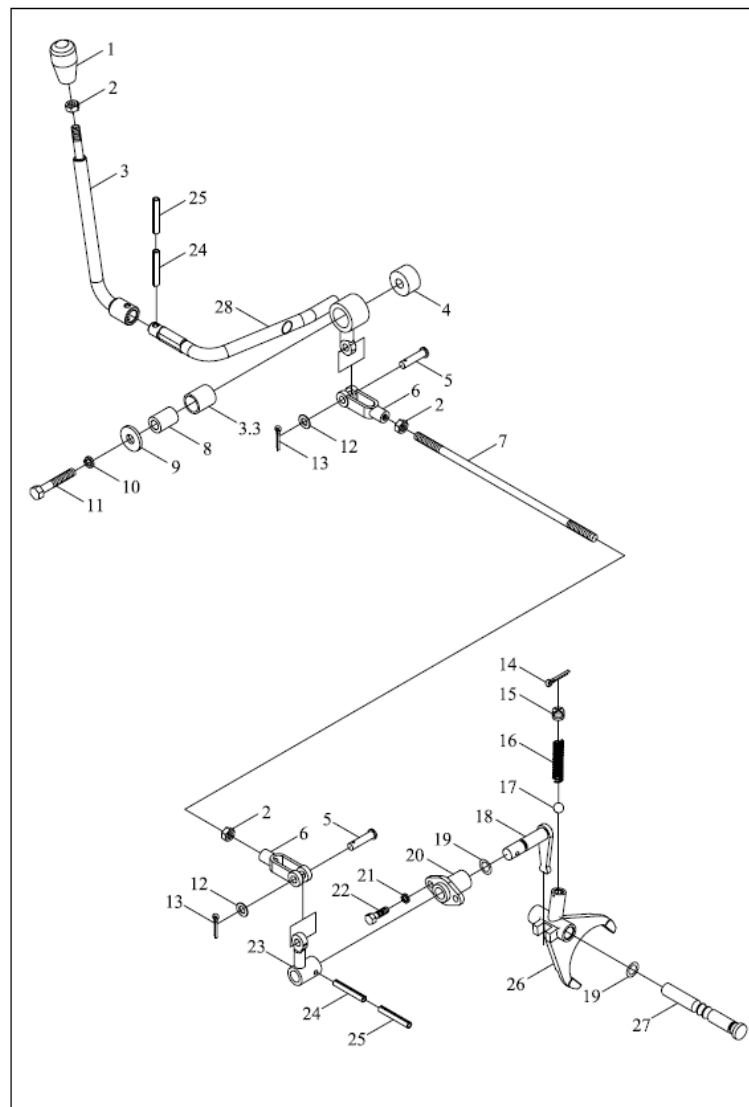
TB550.413D 动力输出操纵总成



TB550.413D 41.3-动力输出操纵总成 41.3-PTO CONTROL ASSEMBLY

标号 No.	代号 Code	名称 Description	数量 Quantity	备注 Remark
1	FT300.41.015	动力输出操纵手柄总成	1	2011-11_
10	GBT93-12	垫圈	1	2011-11_
11	TB550.413-02	螺栓	1	2011-11_
12	GBT97.1-10-A0P	平垫圈	2	2011-11_
13	GBT91-3.2X16-A0P	开口销	2	2011-11_
14	GBT91-2.5X32-A0P	开口销	1	2011-11_
15	TB550.413-03	螺钉	1	2011-11_
16	FT704.42B.163	拨叉轴定位弹簧	1	2011-11_
17	GBT308-9.5-G100-b	钢球	1	2011-11_
18	TB550.413-04	指形拨杆焊合件	1	2012-05_
18	FT300.41E.011	指形拨杆焊合件	1	2004-01_
19	GBT3452.1-11.2X2.65G	液压气动用O形橡胶密封圈	1	
19	GBT3452.1-16.0X2.65G	液压气动用O形橡胶密封圈	1	
2	GBT6170-M10-A3L	螺母	3	2011-11_
20	FT300.41E.109	拨杆轴套	1	2011-11_
21	GBT93-8-AOP	垫圈	2	2011-11_
22	GBT5783-M8X20-A2L	螺栓	2	2011-11_
23	FT300.41.012	动力输出变速杆焊合件	1	2011-11_
24	GBT879.1-6X26	弹性圆柱销	2	2011-11_
25	GBT879.1-3.5X26	弹性圆柱销	2	2011-11_
26	TB550.413-01a	动力输出变速拨叉	1	2011-11_
27	FT300.41C.107a	动力输出拨叉轴	1	2011-11_
28	TB550.413D.2	动力输出操纵连接杆总成	1	2011-11_
3	TB550.413D.1	动力输出操纵手柄杆焊合	1	2011-11_
3	TB550.413D.1	动力输出操纵手柄杆焊合	1	2011-11_

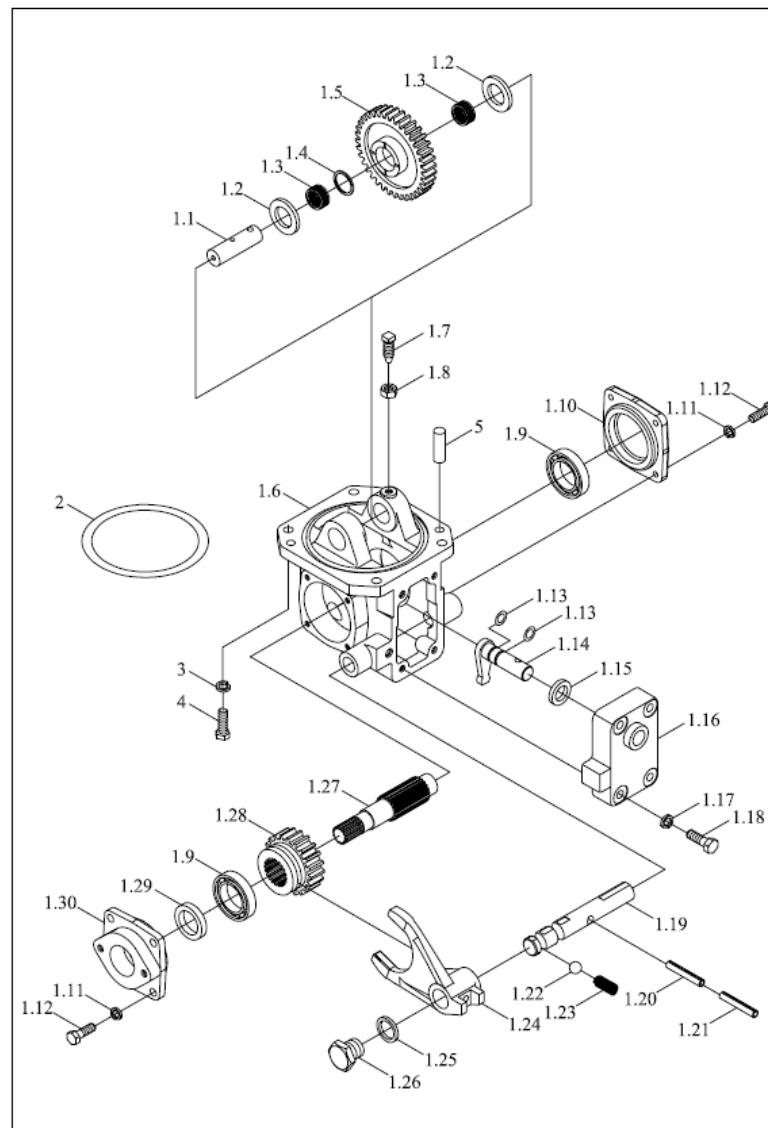
TB550.413D 动力输出操纵总成



TB550.413D 41.3-动力输出操纵总成(续)

标号 No.	代号 Code	名称 Description		数量 Quantity	备注 Remark
4	FT300.41.128	隔套	SPACER BUSH	1	2011-11_
5	GBT882-B10X30	销轴	PIN	2	2011-11_
6	FT300.43.108	拉杆前叉	PULL ROD FRONT FORK	2	2011-11_
7	FT300.41E.112	操纵杆	CONTROL ROD	1	2011-11_
8	FT300.41.130	轴套	SHAFT SLEEVE	1	2011-11_
9	FT300.41.129	垫圈	WASHER	1	2011-11_

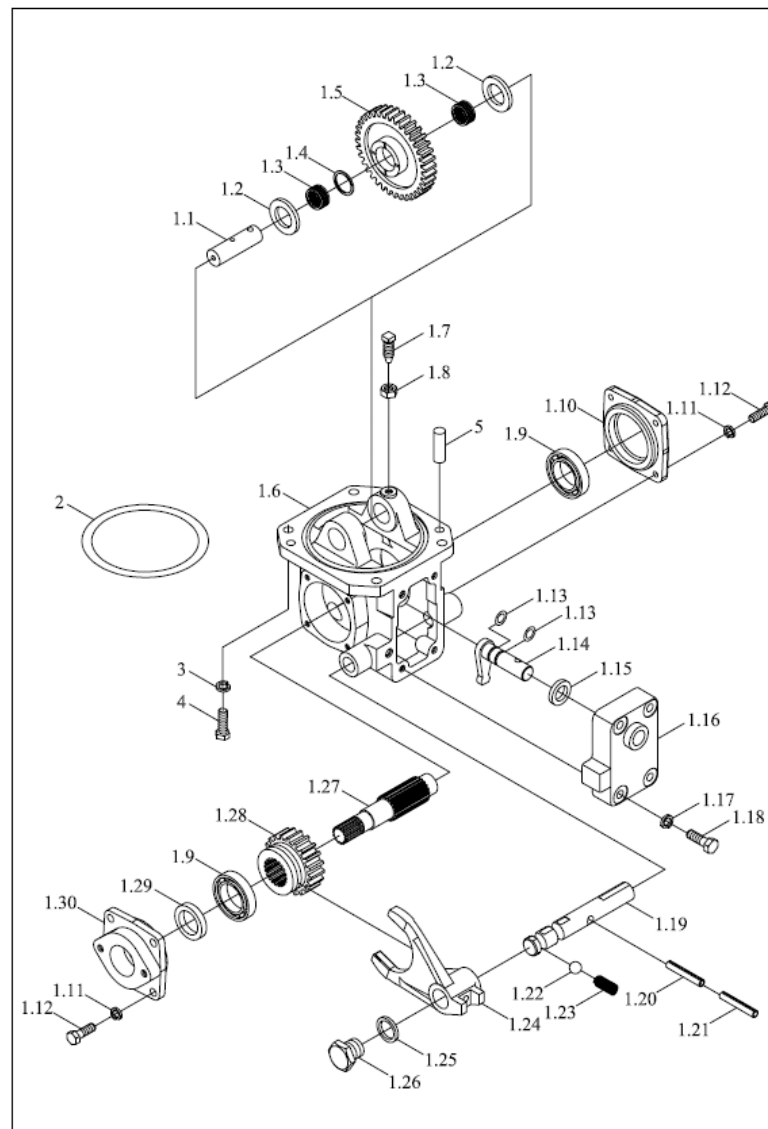
TB554.421C Transfer case housing assembly



TB554.421C 42.1-分动箱箱体总成 42.1-TRANSFER CASE HOUSING ASSEMBLY

标号 No.	代号 Code	名称 Description	数量 Quantity	备注 Remark
1	TB554.421C.1	分动箱装配总成	1	2011-11_
1	TB554.421C.1	分动箱装配总成	1	2011-11_
1.1	FT304.42.117	轴承盖	1	2011-11_
1.1	FT304.42.117	轴承盖	1	2011-11_
1.1	FT304.42.102	惰轮轴	1	2011-11_
1.11	GBT93-8-AOP	垫圈	8	2011-11_
1.12	GBT5783-M8X20-A2L	螺栓	8	2011-11_
1.13	GBT3452.1-17.0X1.80G	液压气动用O形橡胶密封圈	2	2011-11_
1.14	TB554.421E.1.1	转轴焊合	1	2011-11_
1.15	TB554.423B-02	转轴隔套	1	2011-11_
1.16	TB554.421E.1-05	侧盖	1	2011-11_
1.17	GBT93-10-A0P	标准型弹簧垫圈	4	2011-11_
1.18	GBT5782-M10X45-A3L	六角头螺栓	4	2011-11_
1.19	FT304.42F.119	分动箱拨叉轴	1	
1.19	TB554.421E.1-04	拨叉轴	1	2007-03_
1.2	FT304.42F.103	止推环	2	2011-11_
1.2	GBT879.1-6X30	弹性圆柱销	1	2011-11_
1.21	GBT879.1-3.5X30	弹性圆柱销	1	2011-11_
1.22	GBT308-10-G100-b	钢球	1	2011-11_
1.23	FT800.37.139	弹簧	1	2009-12_
1.23	FT804.42.151	弹簧	1	2004-01_
1.24	TB554.421E.1-06	分离拨叉	1	2011-11_
1.25	JBT982-18	组合密封垫圈	2	2011-11_
1.25	JBT982-18	组合密封垫圈	2	2011-11_
1.26	FT804.42.110	螺堵	2	2011-11_

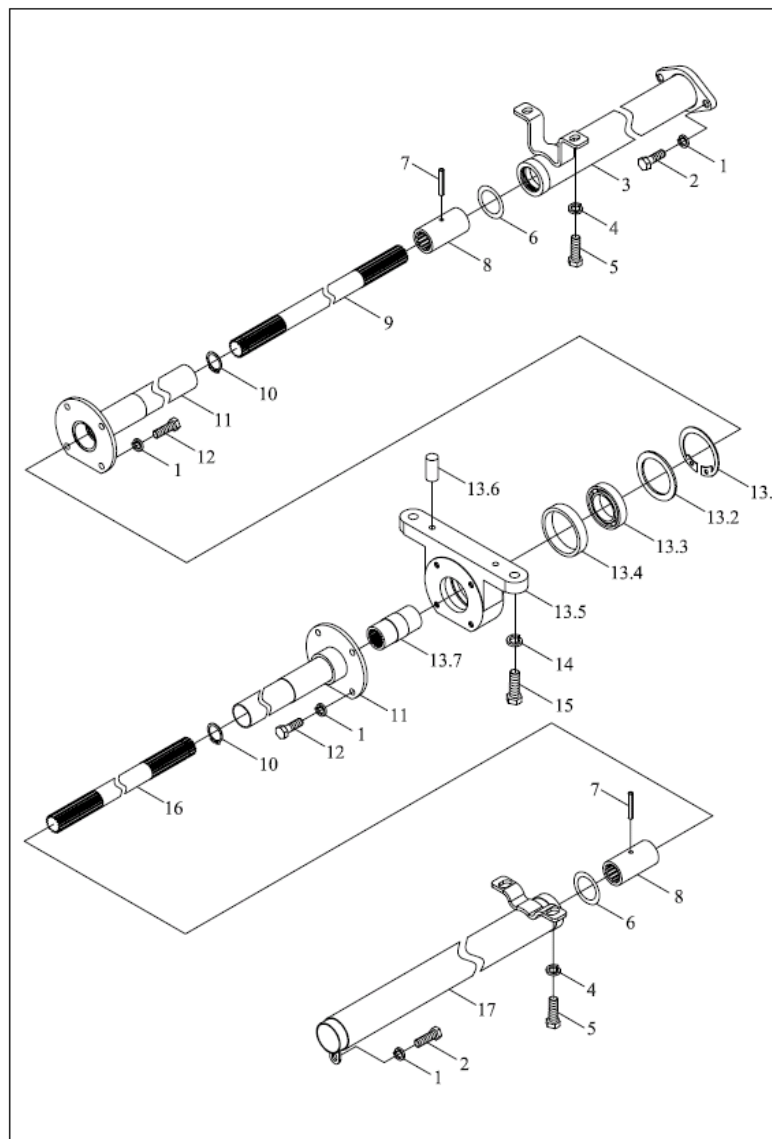
TB554.421C Transfer case housing assembly



TB554.421C 42.1-分动箱箱体总成(续)

标号 No.	代号 Code	名称 Description		数量 Quantity	备注 Remark
1.27	FT304.42F.105	分动箱输出轴	TRANSFER CASE OUTPUT SHAFT	1	2011-11_
1.28	TB554.421C.1-01	分动箱被动齿轮	TRANSFER CASE DRIVEN GEAR	1	2011-11_
1.29	GBT9877.1-FB30X52X7D	内包骨架旋转轴唇形密封	O RING	1	2011-11_
1.3	FT304.42F.106	轴承座	BEARING SEAT	1	2011-11_
1.3	JBT7918-K25X31X20	向心滚针和保持架组件	NEEDLE AND CARRIER UNIT	2	2011-11_
1.4	FT304.42.126	滚针内隔套	NEEDLE INNER SPACER SLEEVE	1	2011-11_
1.5	FT304.42F.125	分动箱惰轮	TRANSFER CASE IDLER	1	2011-11_
1.6	FT304.42F.101	分动箱箱体	TRANSFER CASE BODY	1	
1.6	FT304.42F.101a	分动箱箱体	TRANSFER CASE BODY	1	2007-03_
1.7	FT304.42.112	止动螺钉	THRUST SCREW	1	2011-11_
1.8	GBT6173-M10X1-A2L	六角薄螺母	NUT	1	2011-11_
1.9	GBT276-6306	深沟球轴承	BEARING	2	2011-11_
2	GBT3452.1-132X3.55G	液压气动用O形橡胶密封圈	O-SEAL RING	1	2011-11_
3	GBT93-10-A0P	标准型弹簧垫圈	WASHER	4	2011-11_
4	GBT5783-M10X30-8.8-A3L	六角头螺栓	BOLT	4	2009-05_
4	GBT5783-M10X25-A3L	螺栓	BOLT	4	2004-01_

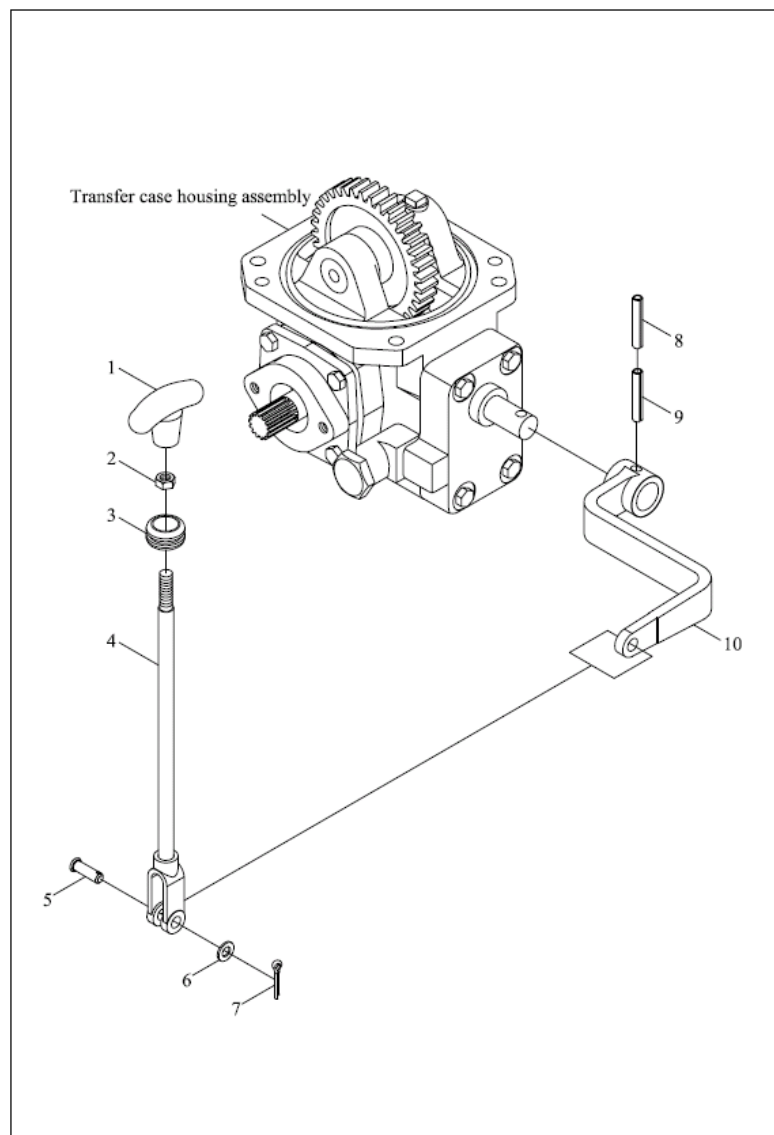
TB454.422 Transfer case driven assembly



TB454.422 42.2-分动箱传动总成 42.2-TRANSFER CASE TRANSMISSION ASSEMBLY

标号 No.	代号 Code	名称 Description		数量 Quantity	备注 Remark
1	GBT93-8-AOP	垫圈	WASHER	11	2011-11_
10	GBT894.1-26	轴用弹性挡圈	SNAP RING	2	2011-11_
11	FT304.42X.017	护套(2)焊合件	GUARD SLEEVE WELDMENT (2)	2	2011-11_
12	GBT5783-M8X20-A2L	螺栓	BOLT	8	2011-11_
13	TB554.422.1	中间轴承座总成	MIDDLE BEARING SEAT ASSEMBLY	1	2011-11_
13.1	GBT893.2-72	孔用弹性挡圈	SNAP RING	1	2011-11_
13.2	FT304.42X.136	隔圈		1	2011-11_
13.3	GBT276-6007-2RZ	深沟球轴承	BEARING	1	2011-11_
13.4	FT304.42X.137	橡胶圈	RUBBER RING	1	2011-11_
13.5	FT304.42X.138	中间轴承座	MIDDLE BEARING SEAT	1	2011-11_
13.6	GBT119.1-8m6X20-A0P	圆柱销	PIN	2	2007-04_
13.7	FT304.42X.135	中间花键套	MIDDLE SPLINE BUSH	1	2011-11_
14	GBT93-12-AOP	垫圈	WASHER	2	2011-11_
15	GBT5783-M12X40-A3L	螺栓	BOLT	2	2011-11_
16	FT404.42.139	前传动轴	FRONT TRANSMISSION SHAFT	1	2011-11_
17	FT404.42.016	护套(3)焊合件	GUARD SLEEVE WELDMENT (3)	1	2011-11_
17	FT404.42.016	护套(3)焊合件	GUARD SLEEVE WELDMENT (3)	1	2011-11_
2	GBT5783-M8X16-A2L	螺栓	BOLT	3	2011-11_
3	FT304.42F.015	护罩(1)焊合件	BONNET (1) WELDMENT	1	2011-11_
4	GBT93-10-AOP	标准型弹簧垫圈	WASHER	4	2011-11_
5	GBT5783-M10X20-A3L	螺栓	BOLT	4	2011-11_
6	GBT3452.1-34.5X3.55G	液压气动用O形橡胶密封圈	O-SEAL RING	2	2011-11_
7	GBT879.1-6X35	弹性圆柱销	PIN	2	2011-11_
8	FT304.42.107a	花键套	SPLINE BUSH	2	2011-11_
9	FT404.42.128	后传动轴	REAR TRANSMISSION SHAFT	1	2011-11_

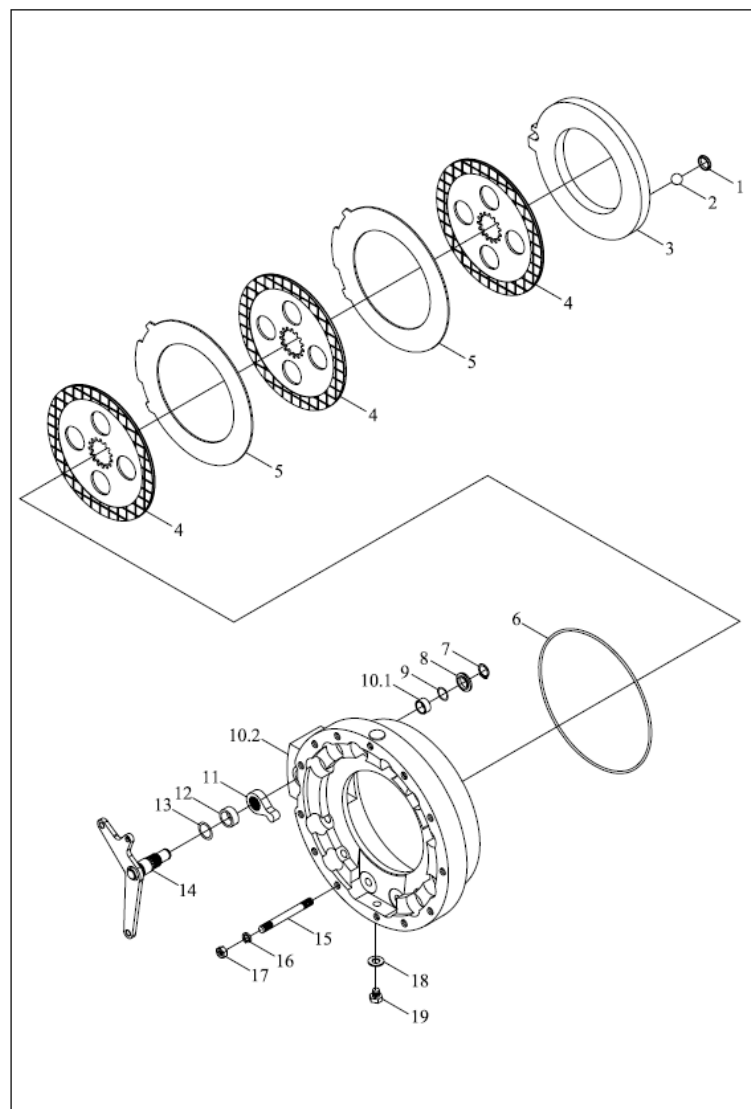
TB554.423C Transfer case control assembly



TB554.423C 42.3-分动箱操纵总成 42.3-TRANSFER CASE CONTROL ASSEMBLY

标号 No.	代号 Code	名称 Description		数量 Quantity	备注 Remark
1	FT65.38.051	拉压手柄	PULL/PRESS HANDLE	1	2011-11_
10	TB554.423C-01	摇臂	ROCKER	1	2011-11_
2	GBT6170-M10-A3L	螺母	NUT	1	2011-11_
3	TG1204.435.2	密封胶圈	SEAL RUBBER RING	1	2004-01_
3	FT304.42D.137	密封胶圈	SEAL RUBBER RING	1	2011-11_
4	FT304.42D.021	操纵杆合件	CONTROL ROD UNIT	1	2008-03_
4	TB554.423B.3	操纵杆合件	CONTROL ROD UNIT	1	2010-02_
5	GBT882-B10X30	销轴	PIN	1	2011-11_
6	GBT97.1-10-A0P	平垫圈	WASHER	1	2011-11_
7	GBT91-3.2X16-A0P	开口销	PIN	1	2011-11_
8	GBT879.1-5X32	弹性圆柱销	PIN	1	2011-11_
9	GBT879.1-8X32	弹性圆柱销	PIN	1	2011-11_

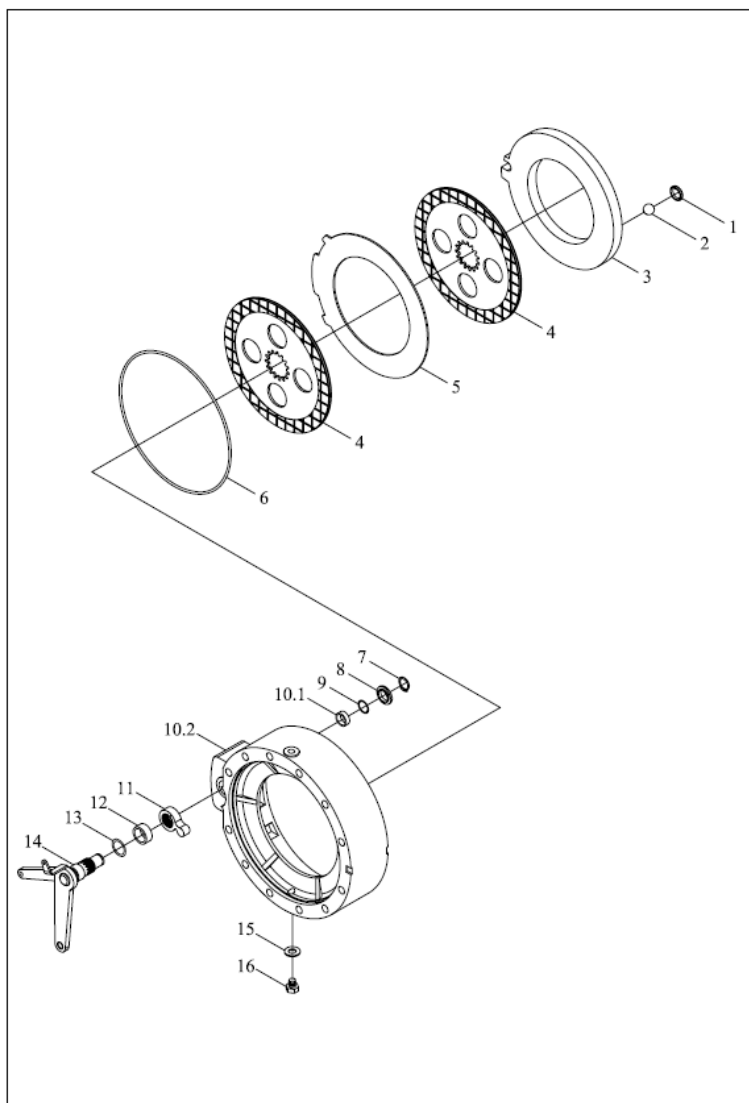
TB604.431D 左制动器总成



TB604.431D 43.1-左制动器总成 43.1-LEFT BRAKE ASSEMBLY

标号 No.	代号 Code	名称 Description		数量 Quantity	备注 Remark
1	FT300.43.102	碗形塞	BOWL PLUG	6	2011-11_
10	TB550.431.1	左制动器壳总成	LEFT BRAKE HOUSING ASSEMBLY	1	2011-11_
10.1	TB550.431.1-02	曲柄轴衬套	CRANK SHAFT BUSH	1	2011-11_
10.2	TB550.431.1-01	左制动器壳体	LEFT BRAKE HOUSING	1	2011-11_
11	TB550.431-02	拨块	SHIFTING BLOCK	1	2011-11_
12	FT300.43.107	隔套	SPACER BUSH	1	2011-11_
13	GBT3452.1-20.0X2.65G	液压气动用O形橡胶密封圈	O-SEAL RING	1	
14	TB604.431D.1	左曲柄合件	LEFT CRANK UNIT	1	2011-11_
15	GBT899-AM12-M12X1.25X80-10.9-A2L	双头螺栓	8.8-A3L STUD	13	2011-11_
16	GBT93-12-AOP	垫圈	WASHER	13	2011-11_
17	GBT6171-M12X1.25-10-A3L	1型六角螺母	NUT	13	2011-11_
18	FT300.43.153	最终传动放油口垫圈	FINAL TRANSMISSION OIL DRAINING PORT	1	2011-11_
18	JBT982-12	组合密封垫圈	WASHER	1	2013-04_
19	FT300.43.154	螺塞	COMBINED SEAL GASKET	1	2011-11_
2	GBT308-18.000-G100-b	钢球	SCREW PLUG BALL	6	2011-11_
3	TB550.431-01	左制动器压盘		1	2011-11_
4	TB550.431.3	制动器摩擦盘总成	LEFT BRAKE PRESSURE PLATE	3	2011-11_
5	FT300.43.105	隔板	BRAKE FRICTION PLATE ASSEMBLY	2	2011-11_
6	FT300.43.101	O形圈	SPACER PLATE	1	2011-11_
7	GBT894.1-18	挡圈	O-RING RETAINER RING	1	2011-11_
8	FT300.43.109a	垫圈		1	2011-11_
9	GBT3452.1-18.0X2.65G	液压气动用O形橡胶密封圈	WASHER O-SEAL RING	1	2011-11_

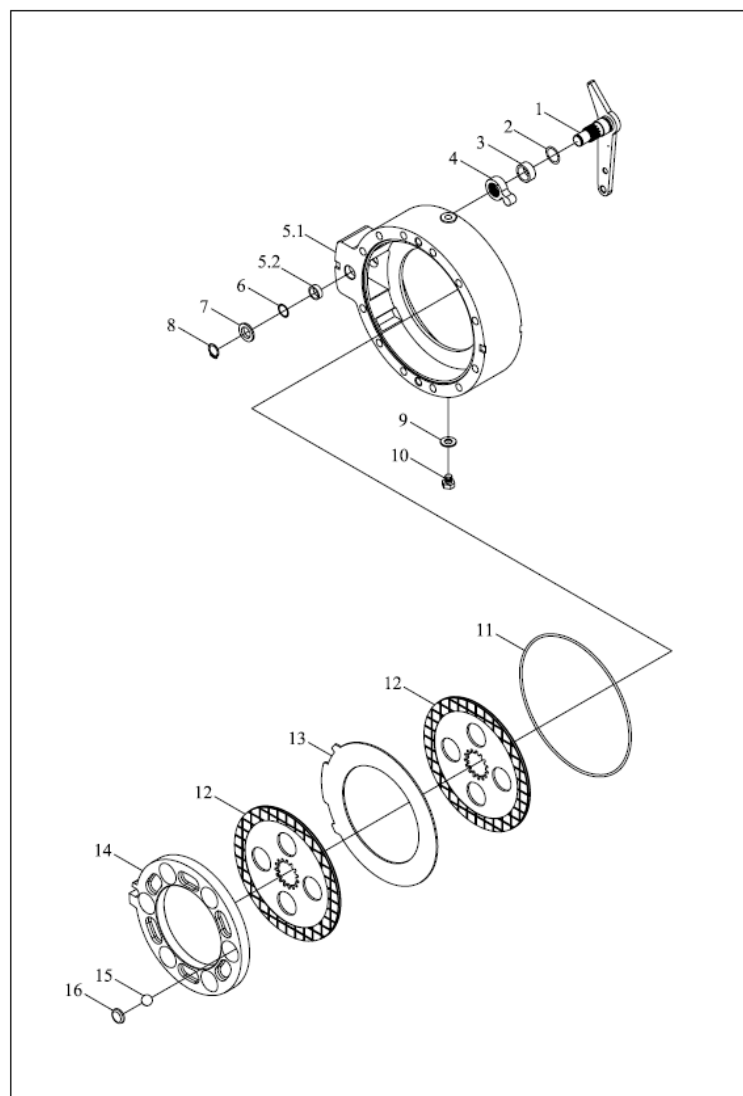
TB504.431 左制动器总成



TB504.431 43.1-左制动器总成 43.1-LEFT BRAKE ASSEMBLY

标号 No.	代号 Code	名称 Description		数量 Quantity	备注 Remark
1	FT300.43.102	碗形塞	BOWL PLUG	6	2011-11_
10	FT300.43.012	左制动器壳总成	LEFT BRAKE HOUSING ASSEMBLY	1	2011-11_
10.1	FT300.43.114	曲柄轴衬套	CRANK SHAFT BUSH	1	
10.2	FT300.43.121	左制动器壳	LEFT BRAKE HOUSING	1	2011-11_
11	FT300.43.106	拨块	SHIFTING BLOCK	1	2011-11_
12	FT300.43.107	隔套	SPACER BUSH	1	2011-11_
13	GBT3452.1-20.0X2.65G	液压气动用O形橡胶密封圈	O-SEAL RING	1	2011-11_
14	TB504.431.1	左曲柄合件	LEFT CRANK UNIT	1	2011-11_
14	TB504.431.1	左曲柄合件	LEFT CRANK UNIT	1	2011-11_
15	FT300.43.153	最终传动放油口垫圈	FINAL TRANSMISSION OIL DRAINING PORT WASHER	1	2011-11_
15	JBT982-12	组合密封垫圈		1	2013-04_
16	FT300.43.154	螺塞	COMBINED SEAL GASKET	1	2011-11_
2	GBT308-18.000-G100-b	钢球	SCREW PLUG	6	2011-11_
3	FT300.43.103	左制动器压盘	BALL	1	2011-11_
4	FT300.43.011	制动器摩擦盘总成	LEFT BRAKE PRESSURE PLATE BRAKE FRICTION PLATE ASSEMBLY	2	2011-11_
5	FT300.43.105	隔板		1	2011-11_
6	FT300.43.101	O形圈	SPACER PLATE	1	2011-11_
7	GBT894.1-18	挡圈	O-RING	1	2011-11_
8	FT300.43.109a	垫圈	RETAINER RING	1	2011-11_
9	GBT452.1-18.0X2.65	O形圈	WASHER O-RING	1	2011-11_

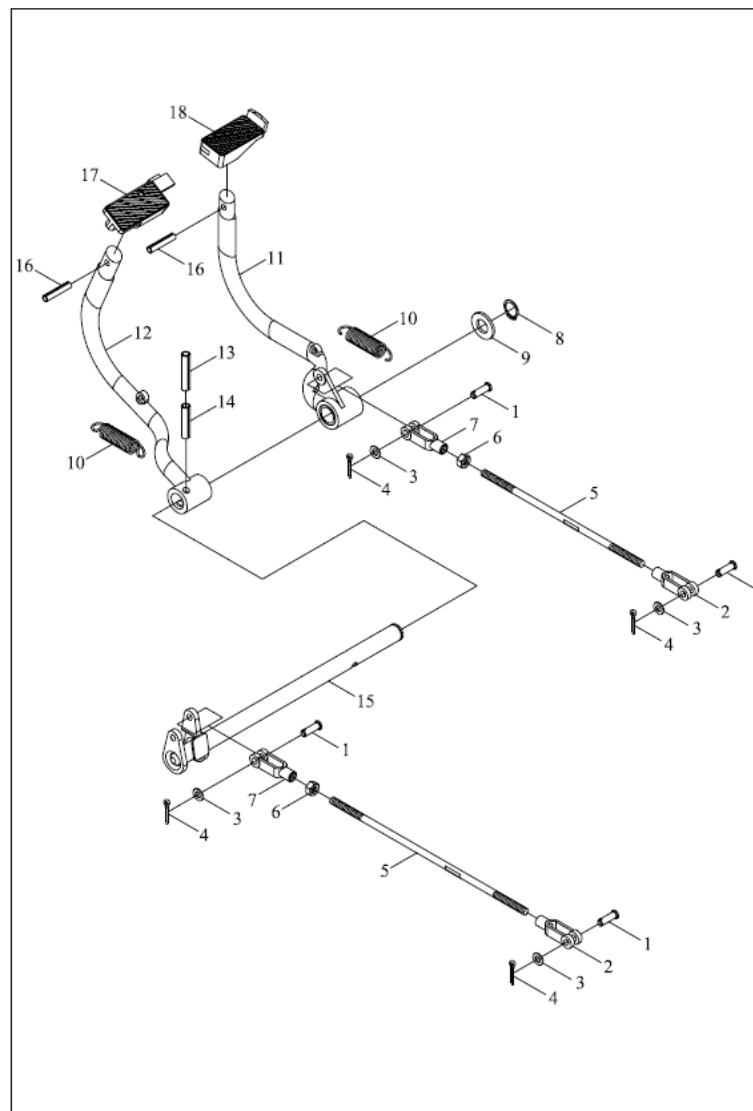
TB504.432 右制动器总成



TB504.432 43.2-右制动器总成 43.2-RIGHT BRAKE ASSEMBLY

标号 No.	代号 Code	名称 Description	数量 Quantity	备注 Remark
1	TB504.432.1	右曲柄合件	1	2011-11_
10	FT300.43.154	螺塞	1	2011-11_
11	FT300.43.101	O形圈	1	2011-11_
12	FT300.43.011	制动器摩擦盘总成	2	2011-11_
13	FT300.43.105	隔板	1	2011-11_
14	FT300.43.104	右制动器压盘	1	2011-11_
15	GBT308-18.000-G100-b	钢球	6	2011-11_
16	FT300.43.102	碗形塞	6	2011-11_
2	GBT3452.1-20.0X2.65	o型圈	1	2011-11_
3	FT300.43.107	隔套	1	2011-11_
4	FT300.43.106	拨块	1	2011-11_
5	FT300.43.013	右制动器壳总成	1	2011-11_
5.1	FT300.43.122	右制动器壳	1	2011-11_
5.2	FT300.43.114	曲柄轴衬套	1	2011-11_
6	GBT3452.1-20.0 × 2.65	O型圈		2011-11_
7	FT300.43.109a	垫圈	1	2011-11_
8	GBT894.1-18	挡圈	1	2011-11_
9	JBT982-12	组合密封垫圈	1	2013-04_
9	FT300.43.153	最终传动放油口垫圈	1	2011-11_

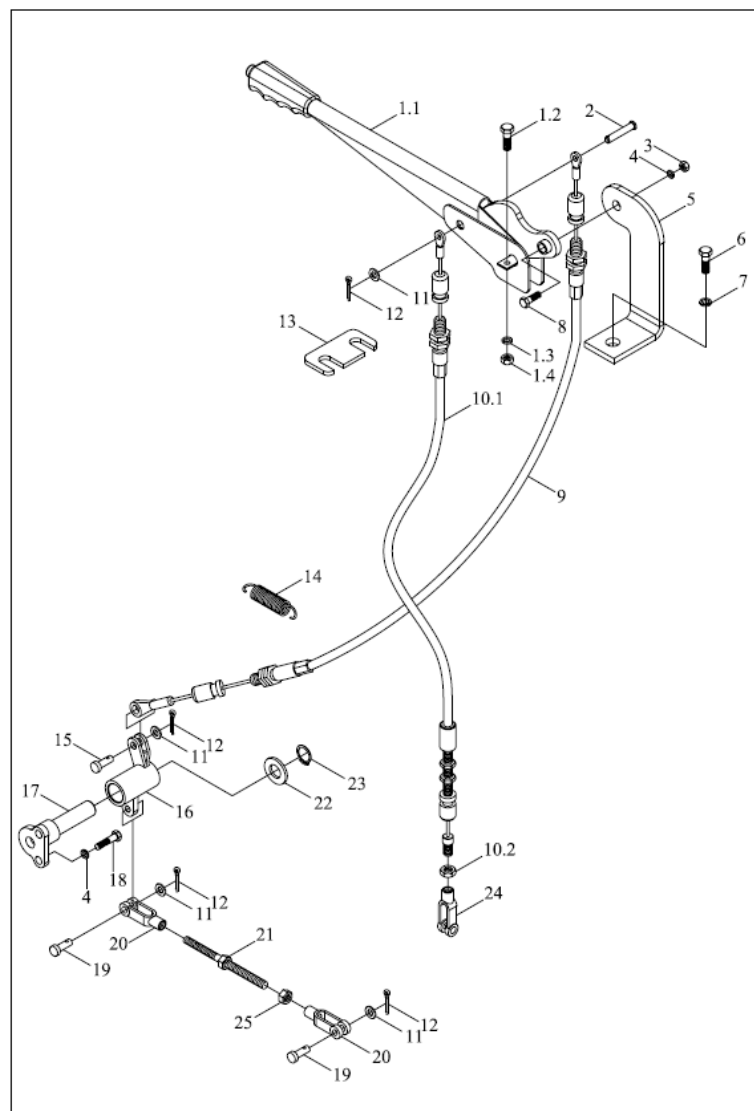
TB504.433 制动器操纵机构总成-1



TB504.433-1 43.3.1-制动器操纵机构总成-1 BRAKE CONTROL MECHANISM ASSEMBLY-1

标号 No.	代号 Code	名称 Description		数量 Quantity	备注 Remark
1	GBT882-B10X28-A0P	销轴	PIN	4	2011-11_
10	FT300.43.130	踏板回位弹簧	PEDAL RETURN SPRING	2	
11	TB504.433.3	右制动踏板体合件	RIGHT BRAKE PEDAL BODY UNIT	1	2011-11_
12	TB504.433.1	左制动踏板合件	LEFT BRAKE PEDAL UNIT	1	
13	GBT879.1-6X40	弹簧圆柱销	SPRING COLUMN PIN	1	2011-11_
14	GBT879.1-10X40	弹性圆柱销	PIN	1	2011-11_
15	FT300.43.020a	踏板轴合件	PEDAL SHAFT UNIT	1	2011-11_
16	GBT879.1-8X30	弹性圆柱销	PIN	2	2011-11_
17	TB504.433.10	左制动踏板体焊接	LEFT BRAKE PEDAL BODY WELDMENT	1	
18	TB504.433.3.1	右制动踏板体焊接	RIGHT BRAKE PEDAL BODY WELDMENT	1	
2	FT300.43.110	拉杆后叉	PULL ROD REAR FORK	2	2011-11_
3	GBT97.1-10-A0P	平垫圈	WASHER	4	2011-11_
4	GBT91-3.2X16-A0P	开口销	PIN	4	2011-11_
5	TB504.433-07	拉杆	PULL ROD	2	2010-02_
5	FT300.43.120	拉杆	PULL ROD	2	2004-01_
6	GBT6170-M10-A3L	螺母	NUT	2	2011-11_
7	FT300.43.108	拉杆前叉	PULL ROD FRONT FORK	2	
7	TA700.431A-01	右旋长条孔连接叉	DEXTROROTATION LONG HOLE CONNECT FORK	4	2009-01_
8	GBT894.1-25	挡圈	RETAINER RING	1	2011-11_
9	GBT97.1-24-A0P	垫圈	WASHER	1	2011-11_
9	GBT97.1-24-A0P	垫圈	WASHER	1	2011-11_

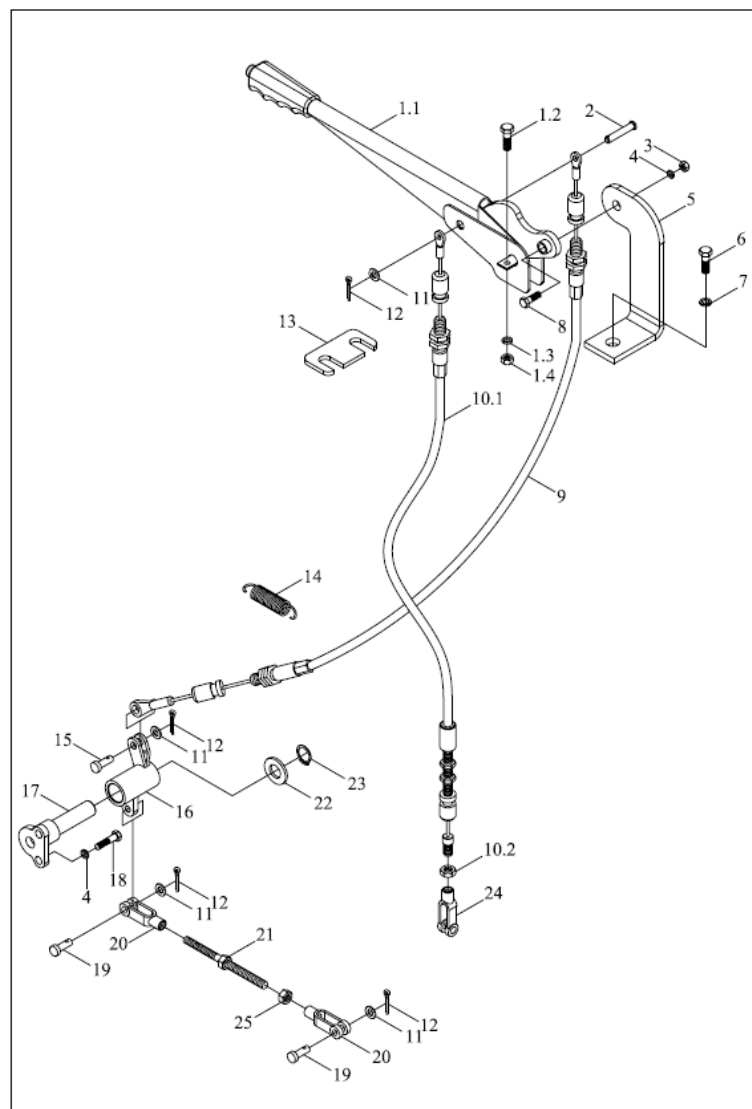
TB504.433 制动器操纵机构总成 -2



TB504.433-2 43.3.2-制动器操纵机构总成-2 BRAKE CONTROL MECHANISM ASSEMBLY-2

标号 No.	代号 Code	名称 Description		数量 Quantity	备注 Remark
1	TA820.213D.3	手刹把手总成	HAND BRAKE HANDLE ASSEMBLY	1	
1.1	TA820.213D.3.1	手刹把手	HAND BRAKE HANDLE	1	
1.2	GBT5781-M8X30-A2L	六角头螺栓	BOLT	2	2011-11_
1.3	GBT93-8-A0P	垫圈	WASHER	2	2011-11_
1.4	GBT6170-M8-A2L	螺母	NUT	2	2011-11_
10	TB504.433.7	左制动拉线装配总成	PULL WIRE INSTALLATION ASSEMBLY OF LEFT	1	2011-11_
10	TB504.433.7	左制动拉线装配总成	BRAKE	1	2011-11_
10.1	TB504.433.7.1	左制动拉线总成	PULL WIRE INSTALLATION ASSEMBLY OF LEFT	1	2011-11_
10.2	GBT6173-M8X1-05-A2L	六角薄螺母	BRAKE	1	2011-11_
11	GBT97.1-10-A0P	平垫圈	LEFT BRAKE WIRE ASSEMBLY	5	2011-11_
12	GBT91-3.2X16-A0P	开口销	NUT		
13	TE250.433C-12	制动拉线上固定板	WASHER	5	2011-11_
14	TB504.433-09	制动曲柄回位弹簧	PIN	1	2010-06_
14	TB504.433-02	制动曲柄回位弹簧	UPPER FIXING PLATE OF BRAKE PULL WIRE	2	2011-11_
15	GBT882-B10X24-A0P	销轴	BRAKE CRANK RETURN SPRING	1	2011-11_
16	TB504.433.5	右制动过渡轴套合件	BRAKE CRANK RETURN SPRING		
17	TB504.433.4	右制动过渡转轴焊合	PIN	1	2011-11_
18	GBT5783-M8X25-A2L	螺栓	TRANSITION SHAFT SLEEVE UNIT OF RIGHT	2	2011-11_
19	GBT882-B10X28-A0P	销轴	BRAKE	2	2011-11_
2	GBT882-B10X40-A0P	销轴	TRANSITION ROTARY SHAFT WELDMENT OF	1	2011-11_
20	TE250.433C-11	连接叉	RIGHT BRAKE		
21	TB504.433.6	右制动中间拉杆焊合	BOLT	2	2011-11_
22	GBT97.1-20-A0P	垫圈	PIN	1	2011-11_
22	GBT97.1-20-A0P	垫圈	PIN	1	2011-11_
23	GBT894.1-20	挡圈20	CONNECTING ROD FORK	1	2011-11_

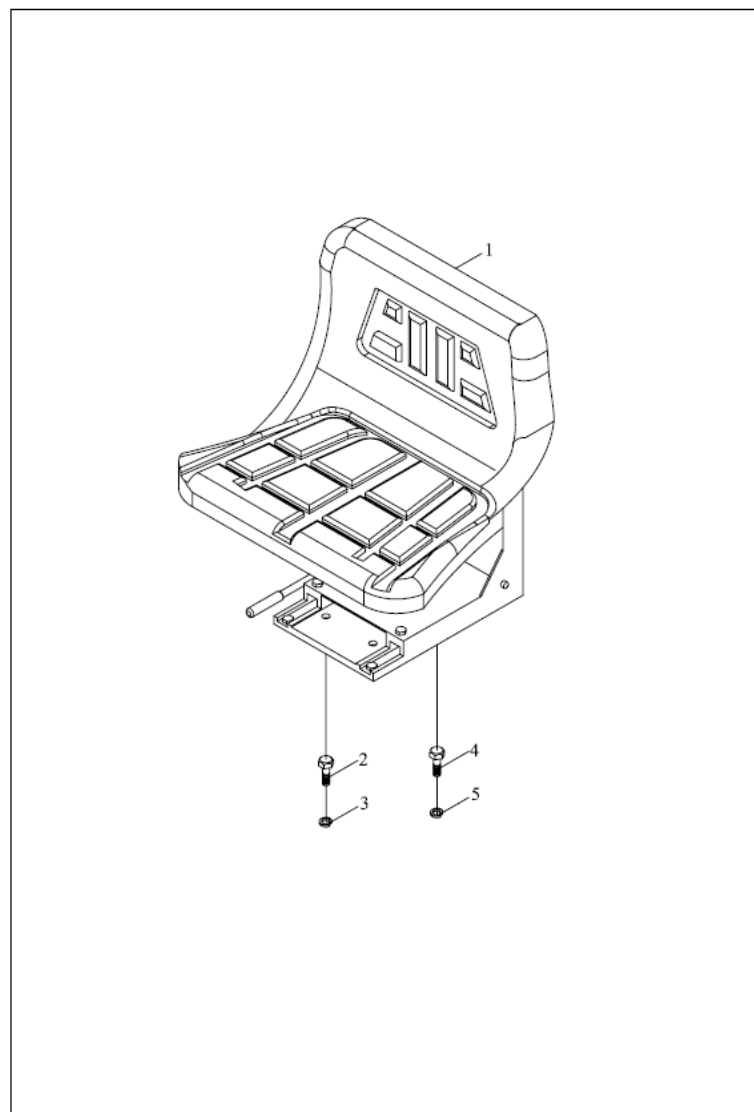
TB504.433 制动器操纵机构总成 -2



TB504.433-2 43.3.2-制动器操纵机构总成-2(续)

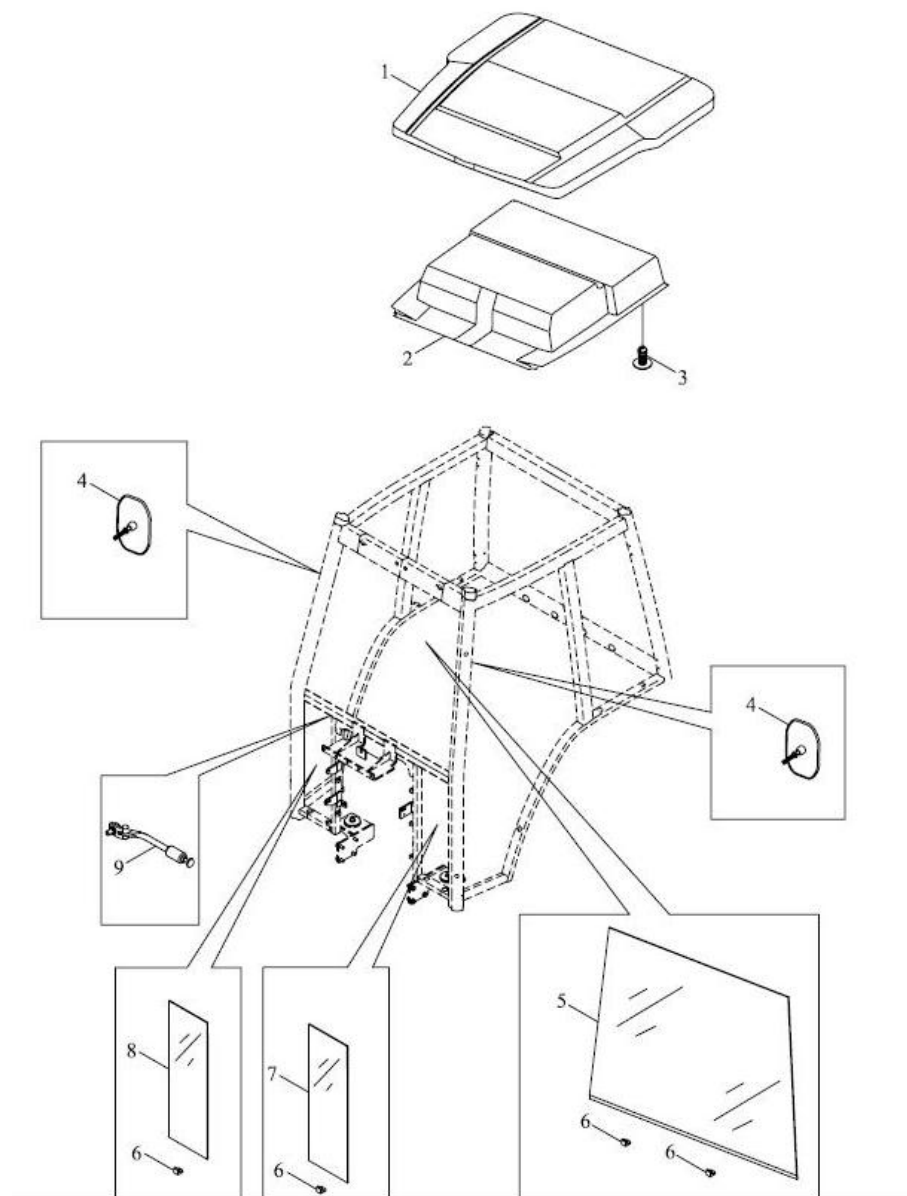
标号 No.	代号 Code	名称 Description		数量 Quantity	备注 Remark
24	FT800A.43B.119	左旋拉杆叉	LEFT REVOLVING PULL ROD FORK	1	2011-11_
25	GBT6170-M10-LH-A3L	螺母	NUT	1	2011-11_
3	GBT6170-M8-A2L	螺母	NUT	1	2011-11_
4	GBT93-8-A0P	垫圈	WASHER	2	2011-11_
5	TA820.213D.1	棘轮支架焊合	RATCHET WHEEL BRACKET WELDMENT	1	
6	GBT5783-M10X25-A3L	螺栓	BOLT	1	2011-11_
7	GBT93-10-A0P	标准型弹簧垫圈	WASHER	1	2011-11_
8	GBT5783-M8 × 35-A2L	螺栓	BOLT	1	
9	TB504.433.8	右制动拉线装配总成	PULL WIRE INSTALLATION ASSEMBLY OF RIGHT BRAKE	1	2011-11_

TB400.44F 座椅安装总成



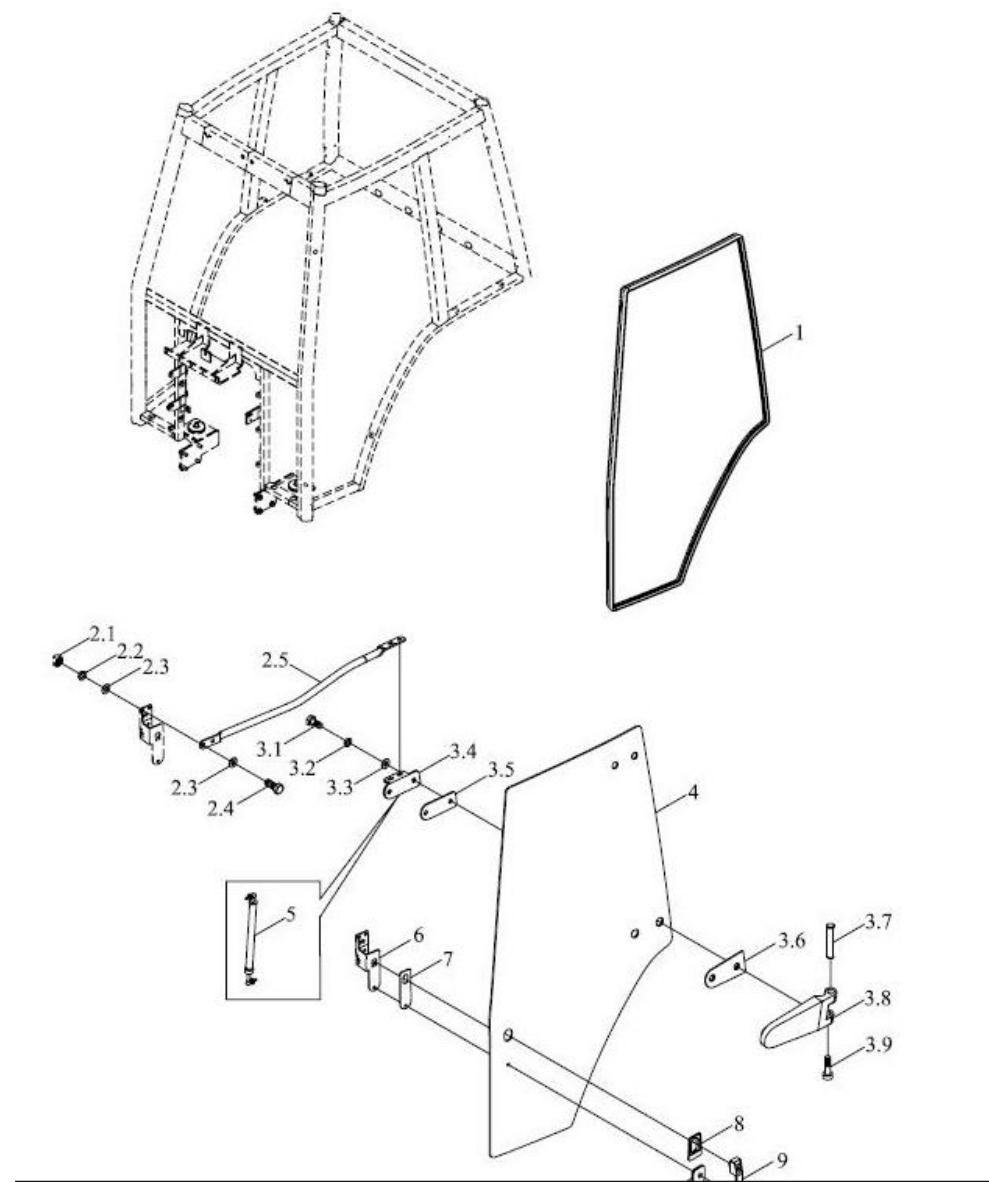
TB400.44F 44-座椅安装总成 44SEAT INSTALLATION ASSEMBLY

标号 No.	代号 Code	名称 Description		数量 Quantity	备注 Remark
1	TB400.44F.1	座椅总成	SEAT ASSEMBLY	1	2011-11_
2	GBT5783-M10X25-A3L	螺栓	BOLT	2	2011-11_
3	GBT93-10-AOP	垫圈	WASHER	2	2011-11_
4	GBT5783-M8X25-8.8-A2L	六角头螺栓	BOLT	2	
5	GBT93-8-AOP	垫圈	WASHER	2	2011-11_



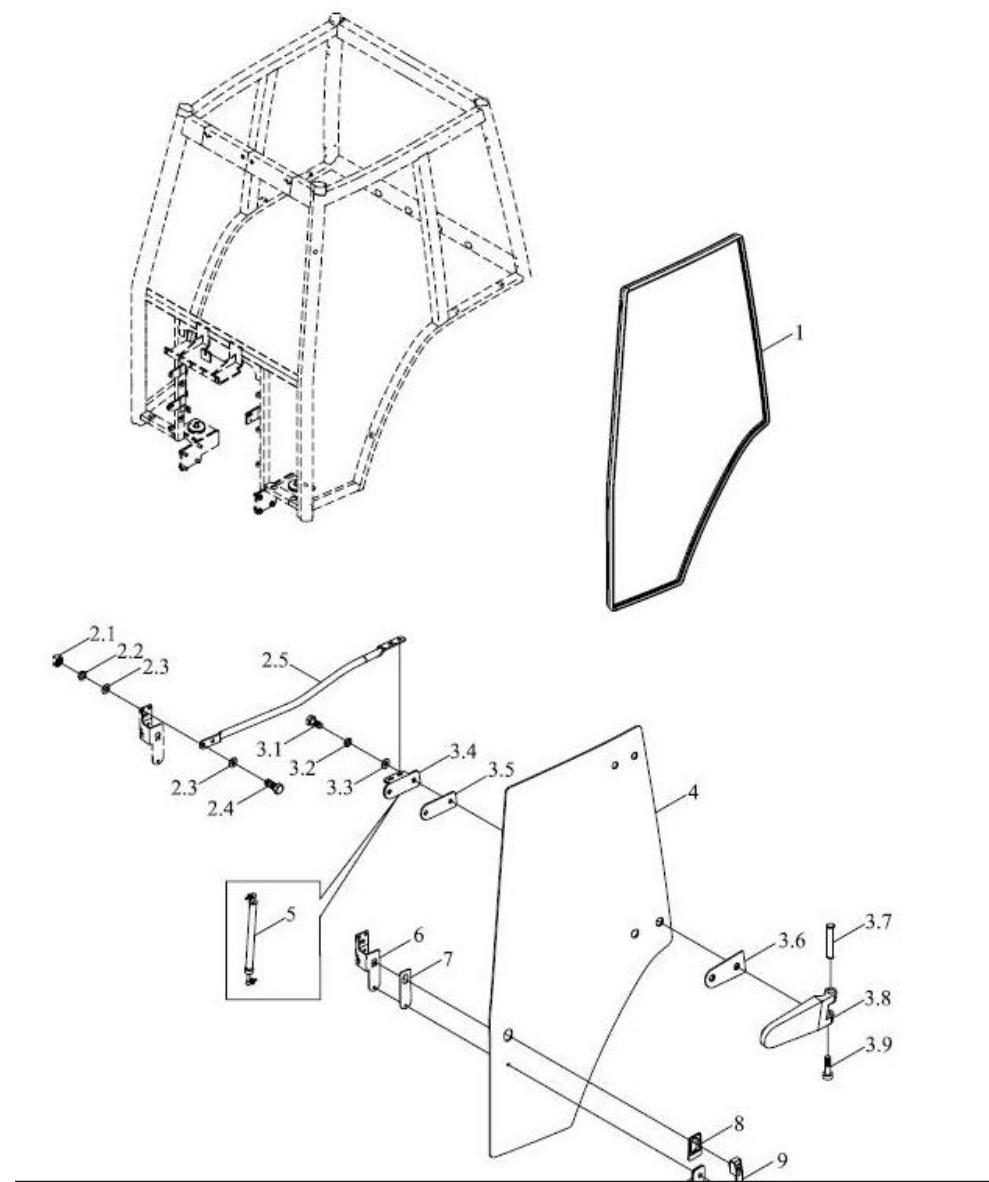
TB600.45T-2 45-驾驶室总成-2 DRIVER' S CAB ASSEMBLY-2

标号 No.	代号 Code	名称 Description		数量 Quantity	备注 Remark
0.1	TB600.45T.1	驾驶室定位简图	DRIVER'S CAB LOCATING DIAGRAM	1	
1	TB600.45L-05	玻璃钢顶盖	FRP TOP COVER	1	
2	TB600.45N-01	内顶衬	INNER TOP LINER	1	
3	TB600.45.1-45	内饰扣	UPHOLSTERY TOP BUTTON	14	
4	TB400.456A.3	后视镜总成	REARVIEW MIRROR ASSEMBLY	2	
5	TB600.45L-23	前挡风玻璃	FRONT WINDSHIELD	1	2012-09_
5	TB600.45L-76	前挡风玻璃	FRONT WINDSHIELD	1	2006-01_
6	TB600.45-03	玻璃垫块	GLASS MAT BLOCK	4	
7	TB600.45L-24	左前下窗玻璃	LEFT FRONT LOWER WINDOW GLASS	1	
8	TB600.45L-25	右前下窗玻璃	RIGHT FRONT LOWER WINDOW GLASS	1	
9	TB600.45-05	支撑杆总成	SUPPORTING PLATE ASSEMBLY	2	



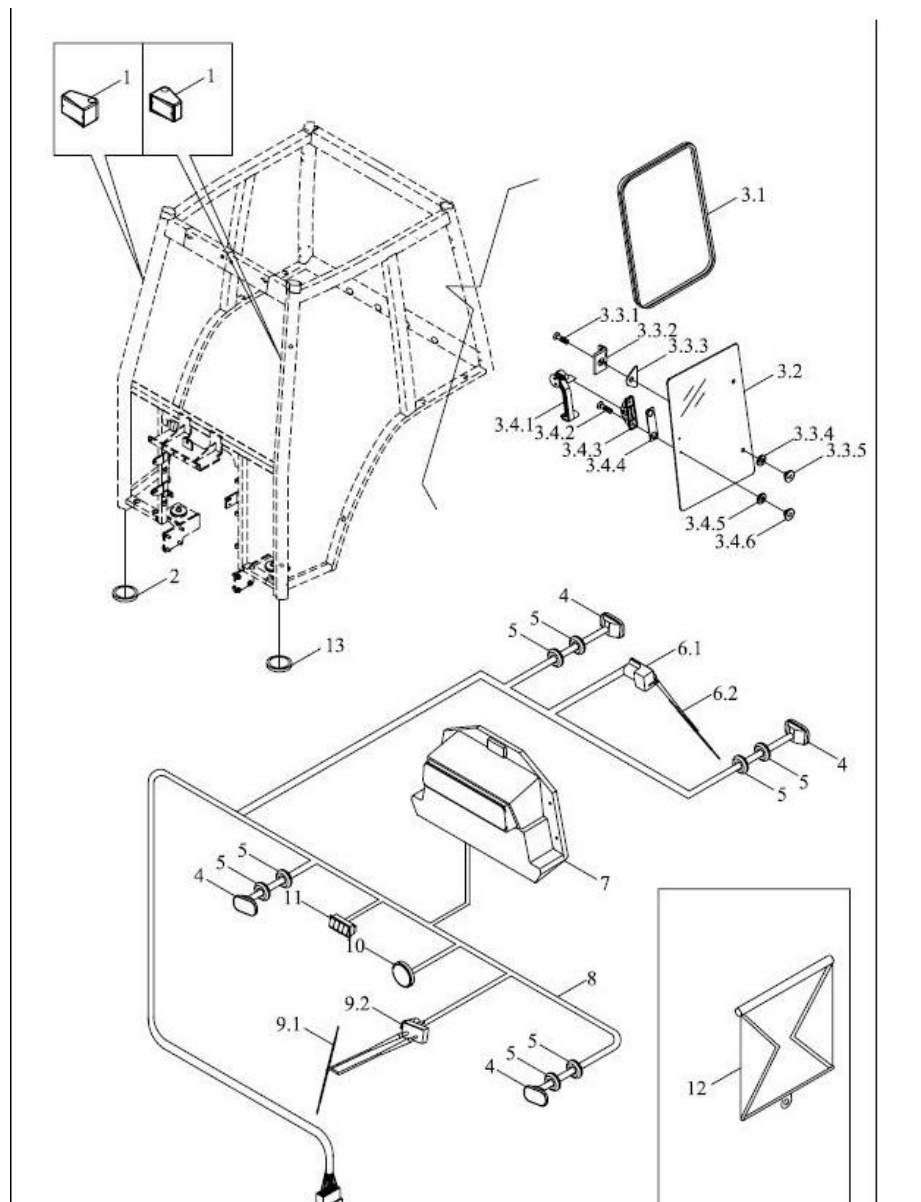
TB600.45T-3 45-驾驶室总成-3 DRIVER' S CAB ASSEMBLY-3

标号 No.	代号 Code	名称 Description		数量 Quantity	备注 Remark
0	TB600.45T.1	驾驶室定位简图	DRIVER'S CAB LOCATING DIAGRAM	1	
0	TB600.45L.5	左车门总成	LEFT DOOR ASSEMBLY	1	
0	TB600.45L.6	右车门总成	RIGHT DOOR ASSEMBLY	1	
1	TB600.45L-14	右车门玻璃胶条	RIGHT DOOR GLASS RUBBER STRIP	1	
1	TB600.45L-13	左车门玻璃胶条	LEFT DOOR GLASS RUBBER STRIP	1	
10	TB600.45.9-07	锁把小垫	SMALL GASKET OF LOCK HANDLE	1	
2	TB600.45.9.2	左车门扶手焊合	LEFT DOOR RAIL WELDMENT	1	
2	TB600.45.10.2	右车门扶手焊合	RIGHT DOOR RAIL WELDMENT	1	
2.1	GBT923-M8-5	盖形螺母	NUT	4	
2.2	GBT93-8-A0P	垫圈	WASHER	4	
2.3	GBT96.1-8-A0P	垫圈	WASHER	8	
2.4	GBT5781-M8X20-4.8-A2L	六角头螺栓	BOLT	4	
2.5	TB600.45.9.2-01	左车门扶手	LEFT DOOR ARMREST	1	
2.5	TB600.45.10.2-01	右车门扶手	RIGHT DOOR ARMREST	1	
3	TB600.45.10.1	右车门合页	RIGHT DOOR HINGE	2	
3	TB600.45.9.1	左车门合页	LEFT DOOR HINGE	2	
3.1	GBT5781-M10X25-4.8-A3L	六角头螺栓	BOLT	4	
3.2	GBT93-10-A0P	标准型弹簧垫圈	WASHER	4	
3.3	GBT97.1-10-A0P	平垫圈	WASHER	4	
3.4	TB600.45.10.1-03	右下合页内板	INNER PLATE OF RIGHT LOWER HINGE	1	
3.4	TB600.45.9.1-07	左下合页内板	INNER PLATE OF LEFT LOWER HINGE	1	
3.4	TB600.45.9.1-06	上合页内板	UPPER HINGE INTERNAL PLATE	1	
3.5	TB600.45.9.1-05	合页内垫	HINGE INTERNAL MAT	2	
3.6	TB600.45.9.1-04	左下合页外垫	EXTERNAL MAT OF LEFT LOWER HINGE	1	
3.6	TB600.45.10.1-02	右下合页外垫	EXTERNAL MAT OF RIGHT LOWER HINGE	1	



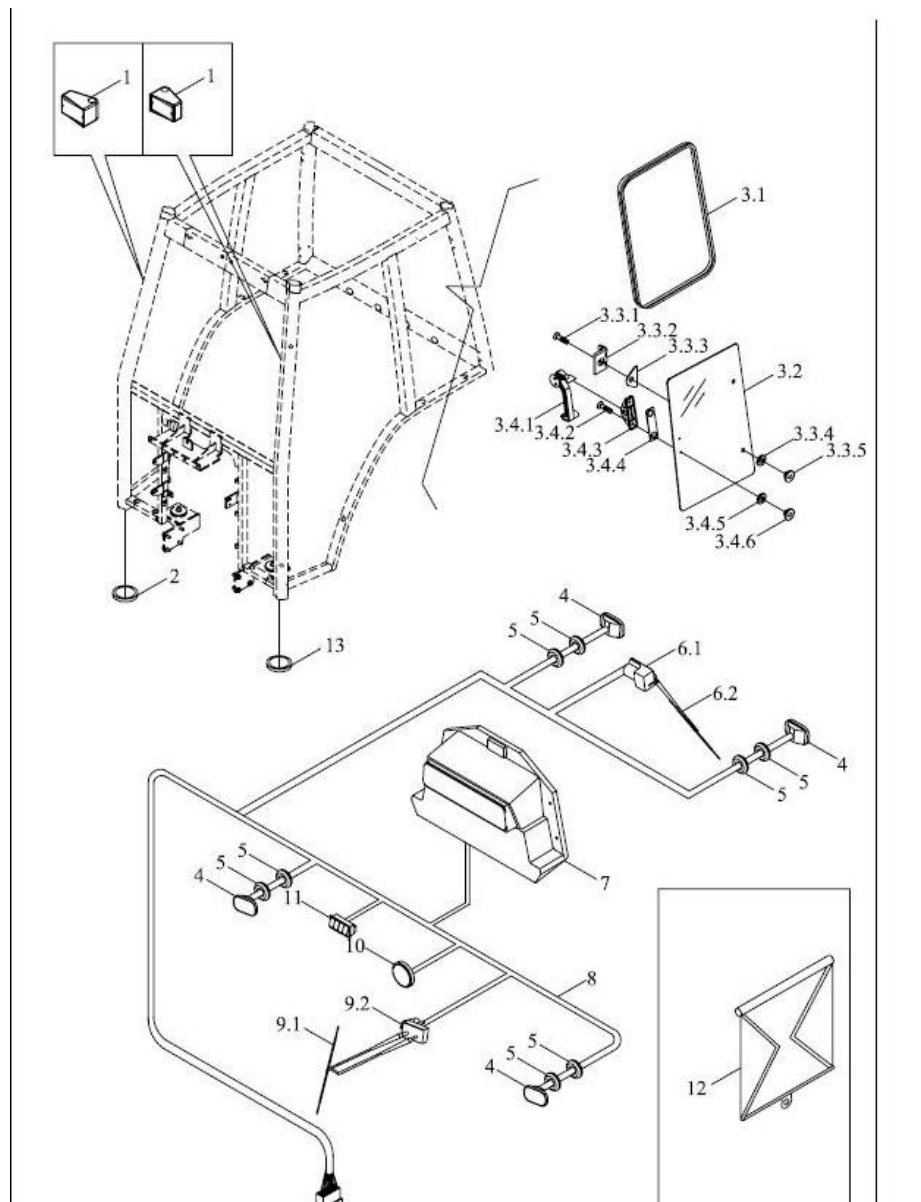
TB600.45T-3 45-驾驶室总成-3(续)

标号 No.	代号 Code	名称 Description		数量 Quantity	备注 Remark
3.6	TB600.45.9.1-03	左上合页外垫	EXTERNAL MAT OF LEFT UPPER HINGE	1	
3.6	TB600.45.10.1-01	右上合页外垫	EXTERNAL MAT OF RIGHT UPPER HINGE	1	
3.7	TB600.45.9.1-02	合页轴	HINGE SHAFT	2	
3.8	TB600.45.9.1-01	合页	HINGE	2	
3.9	TB600.45.9.1-08	合页螺栓	HINGE BOLT	2	
4	TB600.45L-18	左车门玻璃	LEFT DOOR GLASS	1	2012-09_
4	TB600.45L-77	左车门玻璃	LEFT DOOR GLASS	1	2006-01_
4	TB600.45L-19	右车门玻璃	RIGHT DOOR GLASS	1	2012-09_
4	TB600.45L-78	右车门玻璃	RIGHT DOOR GLASS	1	2006-01_
5	TB600.45.9-05	车门气弹簧	AIR SPRING	1	
6	TB600.45.10-04	右车门锁体固定板	RIGHT DOOR LOCK FIXING PLATE	1	
6	TB600.45.9-03	左车门锁体固定板	LEFT DOOR LOCK FIXING PLATE	1	
6	TB600.45.9-03	左车门锁体固定板	LEFT DOOR LOCK FIXING PLATE	1	
7	TB600.45.9-08	锁盒垫	LOCK BOX GASKET	1	
8	TB600.45.9-06	锁把大垫	LARGE GASKET OF LOCK HANDLE	1	
9	TB600.45.10-03	右门锁总成	RIGHT DOOR LOCK ASSEMBLY	1	
9	TB600.45.9-04	左门锁总成	LEFT DOOR LOCK ASSEMBLY	1	



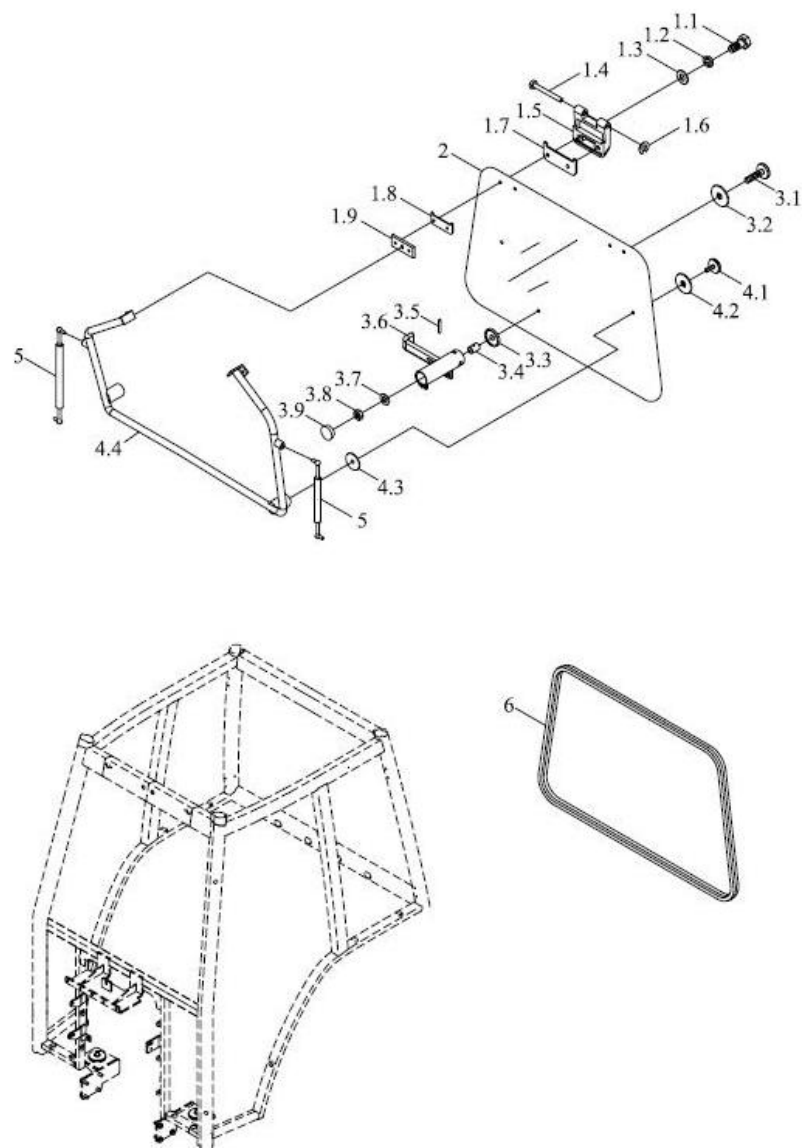
TB600.45T-4 45-驾驶室总成-4 DRIVER' S CAB ASSEMBLY-4

标号 No.	代号 Code	名称 Description	数量 Quantity	备注 Remark
0	TB600.45T.1	驾驶室定位简图	1	
1	TD800.486B.1	扶手灯	2	
10	TB600.45.1-19	内顶灯	1	
11	TB600.45L-33	四联拇指印开关	1	
11	TB600.45L-33	四联拇指印开关	1	
12	TB600.45L-68	遮阳帘	1	
13	TB600.45-07	左立柱胶套	1	
2	TB600.45-08	右立柱胶套	1	
3	TB600.45L.3	右侧窗总成	1	
3	TB600.45L.2	左侧窗总成	1	
3.1	TB600.45L-16	右侧窗玻璃胶条	1	
3.2	TB600.45L-20	左侧窗玻璃	1	
3.2	TB600.45L-21	右侧窗玻璃	1	
3.3	TB600.45L.2.1	侧窗铰链合件	2	
3.32	TB600.45L.2.1-01	侧窗铰链	1	
3.33	TB600.45L.2.1-02	侧窗铰链垫	1	
3.34	TB600.45L.2.1-04	塑注螺母垫	1	
3.35	TB600.45L.2.1-03	塑注螺母	1	
3.4	TB600.45L.3.1	右侧窗开窗把手	1	
3.4	TB600.45L.2.2	左侧窗开窗把手	1	
3.41	TB600.45L.2.2-01	左侧窗把手	1	
3.41	TB600.45L.2.2-01	左侧窗把手	1	
3.41	TB600.45L.3.1-01	右开窗把手	1	
3.42	GB/T819.1-M8X20-4.8-A2L	十字槽沉头螺钉	2	2012-09_
3.43	TB600.45L.2.2-03	侧窗锁紧座	1	



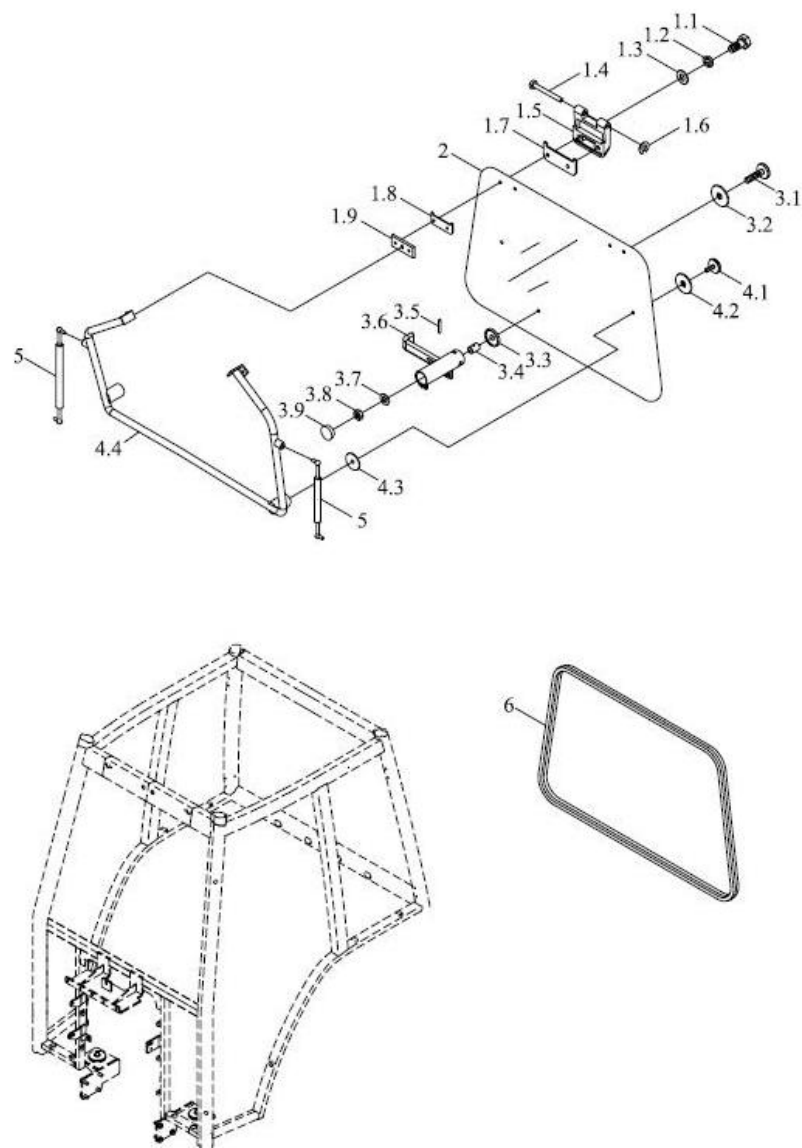
TB600.45T-4 45-驾驶室总成-4(续)

标号 No.	代号 Code	名称 Description	数量 Quantity	备注 Remark
3.44	TB600.45L.2.2-02	侧窗把手垫	1	
4	FT650.48.082	顶照灯总成	4	
5	TB600.45-39	穿线胶圈	4	
6	TB600.45F.2	后雨刮总成	1	
6	TB600.45F.2	后雨刮总成	1	
6.1	TB600.45F.2-01	后雨刮电机	1	
6.2	TB600.45F.2-02	后雨刮	1	
7	FT65.45.990	暖风机总成	1	
7	FT65.45.990	暖风机总成	1	
8	TB600.45T.1-01	顶灯线束	1	
9	TB600.45.11	前雨刮总成	1	
9.1	TB600.45.11-01	前雨刮	1	
9.2	TB600.45.11-02	前雨刮电机	1	



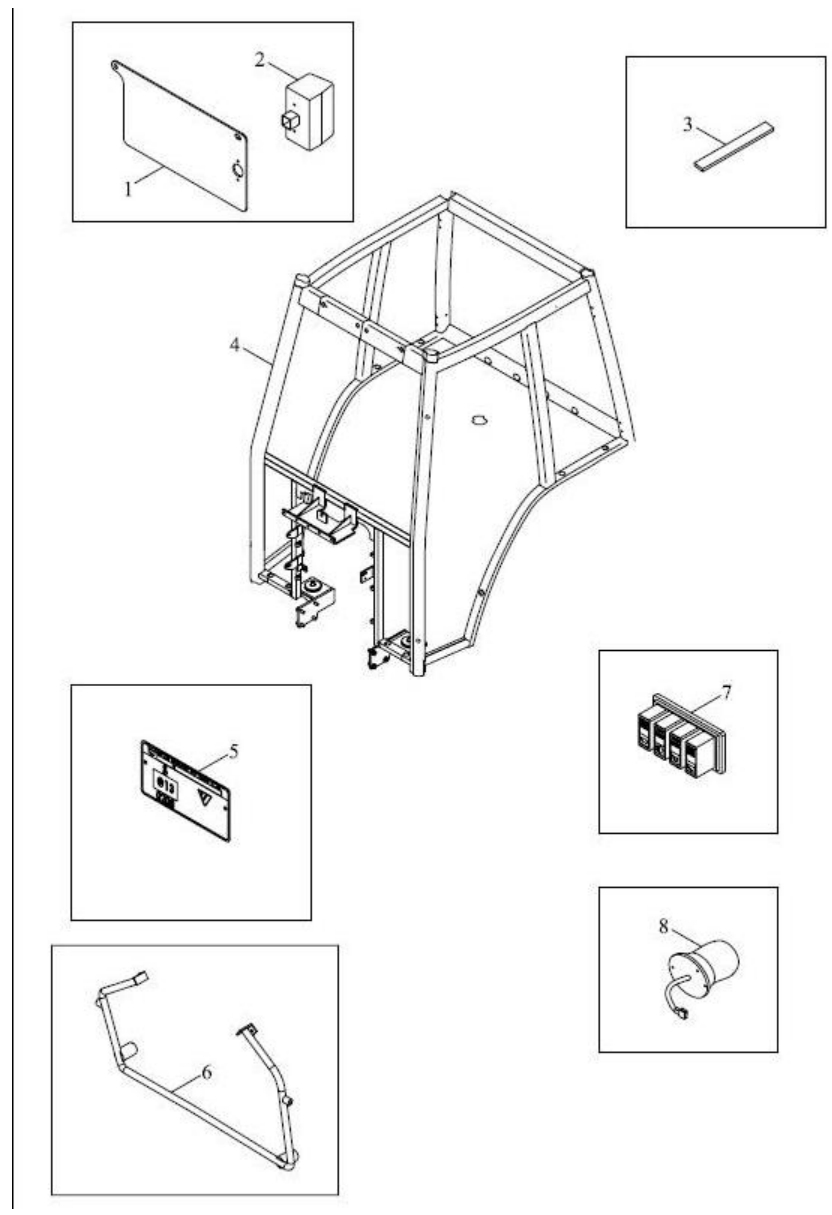
TB600.45T-5 45-驾驶室总成-5 DRIVER' S CAB ASSEMBLY-5

标号 No.	代号 Code	名称 Description		数量 Quantity	备注 Remark
0	TB600.45T.1	驾驶室定位简图	DRIVER'S CAB LOCATING DIAGRAM	1	
0	TB600.45L.4	后窗总成	REAR WINDOW ASSEMBLY	1	
1	TB600.45.6.2	后窗合页	REAR WINDOW HINGE	2	
1.1	GBT5781-M6X25-4.8-A2L	六角头螺栓	BOLT	2	
1.2	GBT93-6-A0P	弹簧垫圈	SPRING WASHER	2	
1.3	GBT97.1-6-A0P	平垫圈	WASHER	2	
1.4	TB600.45.6.2-05	后窗合页轴	HINGE SHAFT OF REAR WINDOW	1	
1.4	TB600.45.6.2-05	后窗合页轴	HINGE SHAFT OF REAR WINDOW	1	
1.5	TB600.45.6.2-01	后窗合页底座	REAR WINDOW HINGE SEAT	1	
1.6	TB600.45.6.2-06	卡簧	CIRCLIP	1	
1.7	TB600.45.6.2-04	后窗合页外垫	EXTERNAL MAT OF REAR WINDOW HINGE	1	
1.8	TB600.45.6.2-03	后窗合页内垫	INTERNAL MAT OF REAR WINDOW HINGE	1	
1.9	TB600.45.6.2-02	后窗合页压盖	HINGE PRESS COVER OF REAR WINDOW	1	
2	TB600.45L-22	后挡风玻璃	REAR WINDOWSHIELD	1	
3	TB600.45.6.1	后窗锁紧本体总成	LOCKING BODY ASSEMBLY OF REAR WINDOW	1	
3.1	TB600.45.6.1-06	螺栓杆	BOLT ROD	1	
3.2	TB600.45.6.1-03	后窗锁紧内垫B平	LOCKING INTERNAL MAT B (FLAT) OF REAR	1	
3.2	TB600.45.6.1-03	后窗锁紧内垫B平	WINDOW	1	
3.3	TB600.45.6.1-02	后窗锁紧外垫A凸	LOCKING INTERNAL MAT B (FLAT) OF REAR	1	
3.4	TB600.45.6.1-05	夹紧套	WINDOW	1	
3.5	TB600.45.6.1-07	销轴	LOCKING EXTERNAL MAT A (PROTRUDING) OF		
3.6	TB600.45.6.1-01	后窗锁紧本体	REAR WINDOW	1	
3.7	GBT97.1-12-A0P	平垫圈	CLAMP BUSH	1	
3.8	GBT6170-M12-8-A3L	1型六角螺母	PIN	1	
3.9	TB600.45.6.1-04	后盖	LOCKING BODY OF REAR WINDOW	1	



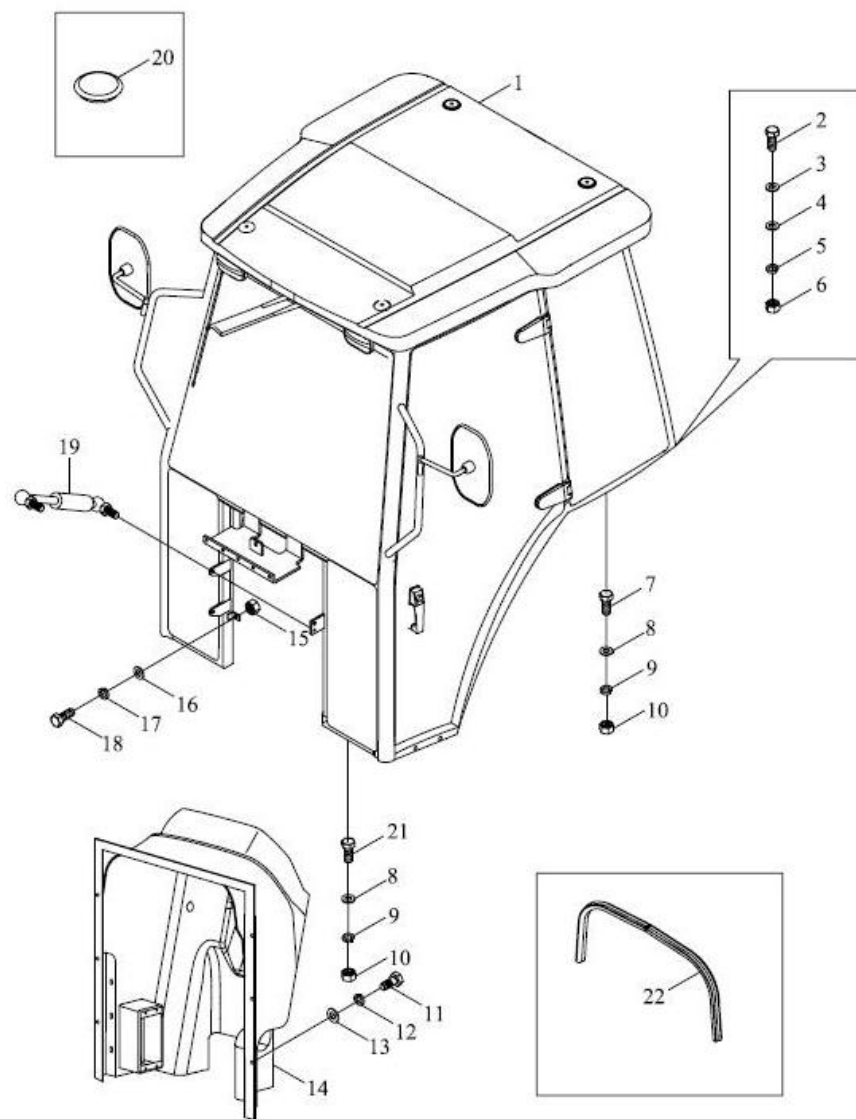
TB600.45T-5 45-驾驶室总成-5(续)

标号 No.	代号 Code	名称 Description		数量 Quantity	备注 Remark
4	TB600.45.6.3	后窗拉手焊合	REAR WINDOW HANDLE WELDMENT	1	
4.1	TB600.45.6.3-02	螺栓杆	BOLT ROD	2	
4.2	TB600.45.6.3-03	后窗把手内垫B平	INTERNAL MAT B (FLAT) OF REAR WINDOW	2	
4.2	TB600.45.6.3-03	后窗把手内垫B平	HANDLE	2	
4.3	TB600.45.6.3-04	后窗把手外垫A凸	INTERNAL MAT B (FLAT) OF REAR WINDOW HANDLE	2	
4.4	TB600.45.6.3-01	后窗扶手焊合	EXTERNAL MAT A (PROTRUDING) OF REAR	1	
5	TB600.45L-09	后窗气弹簧	WINDOW HANDLE	2	
6	TB600.45L-17	后挡风玻璃胶条	REAR WINDOW ARMREST WELDMENT REAR WINDOW PNEUMATIC SPRING REAR WINDOWSHIELD RUBBER PIECE	1	



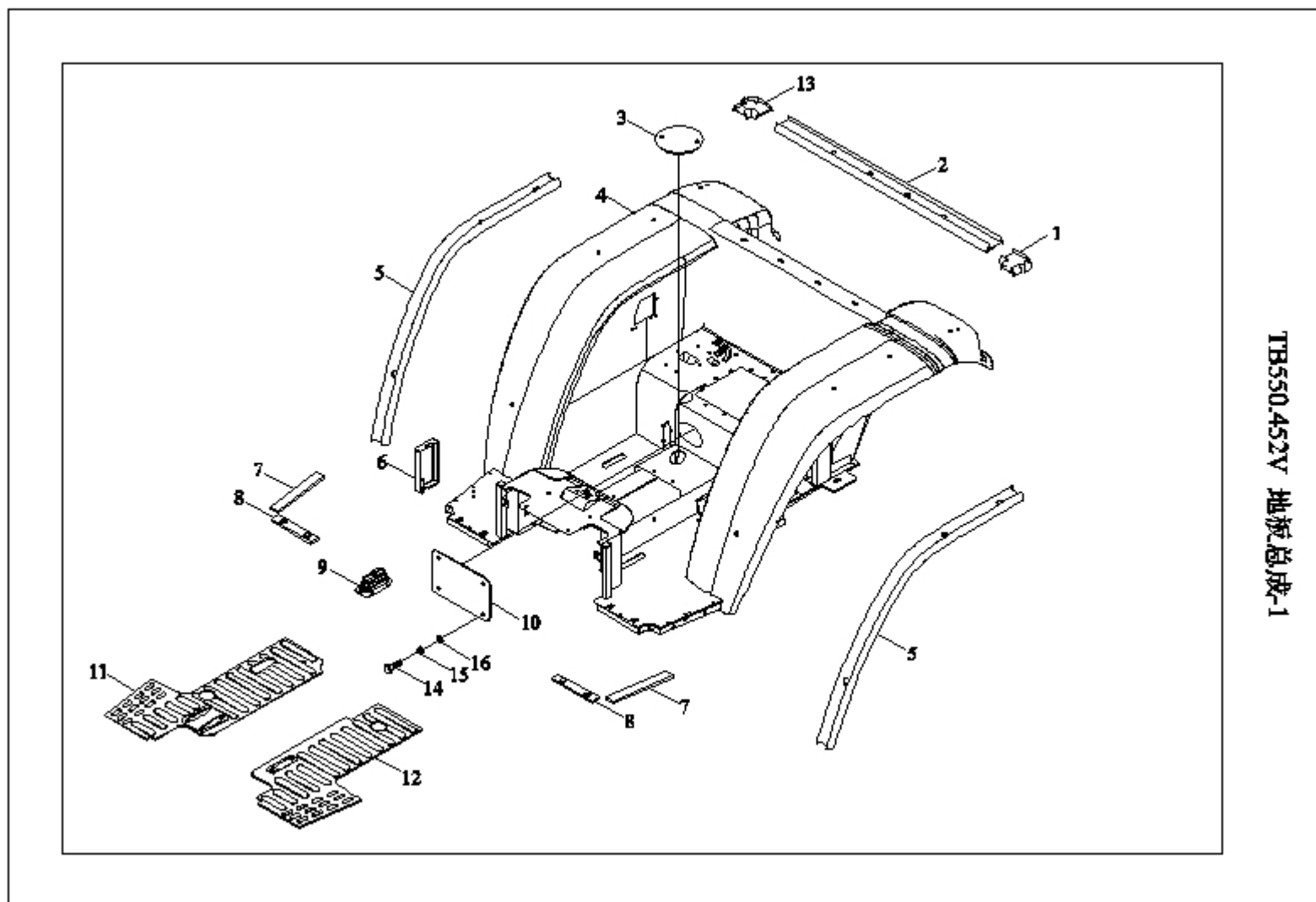
TB600.45T-6 45-驾驶室总成-6 DRIVER' S CAB ASSEMBLY-6

标号 No.	代号 Code	名称 Description	数量 Quantity	备注 Remark
0	TB600.45T.1	驾驶室定位简图	1	
1	TB450.486A.3-01	牌照灯固定板	1	
2	TA700.484A.2.1	牌照灯	1	
3	TB600.45L-70	棚顶胶垫	4	
4	TB600.45L.1	驾驶室焊合	1	
5	TB600.45N.1-01	驾驶室EC标志牌	1	
6	TB600.45L-29	风撑	2	
7	TB450.486B.2	翘板开关总成	1	
8	TB450.486B.3	旋转警报灯总成	1	
8	TB450.486B.3	旋转警报灯总成	1	



TB600.45T-1 45.1-驾驶室总成-1 45CAB ASSEMBLY-1

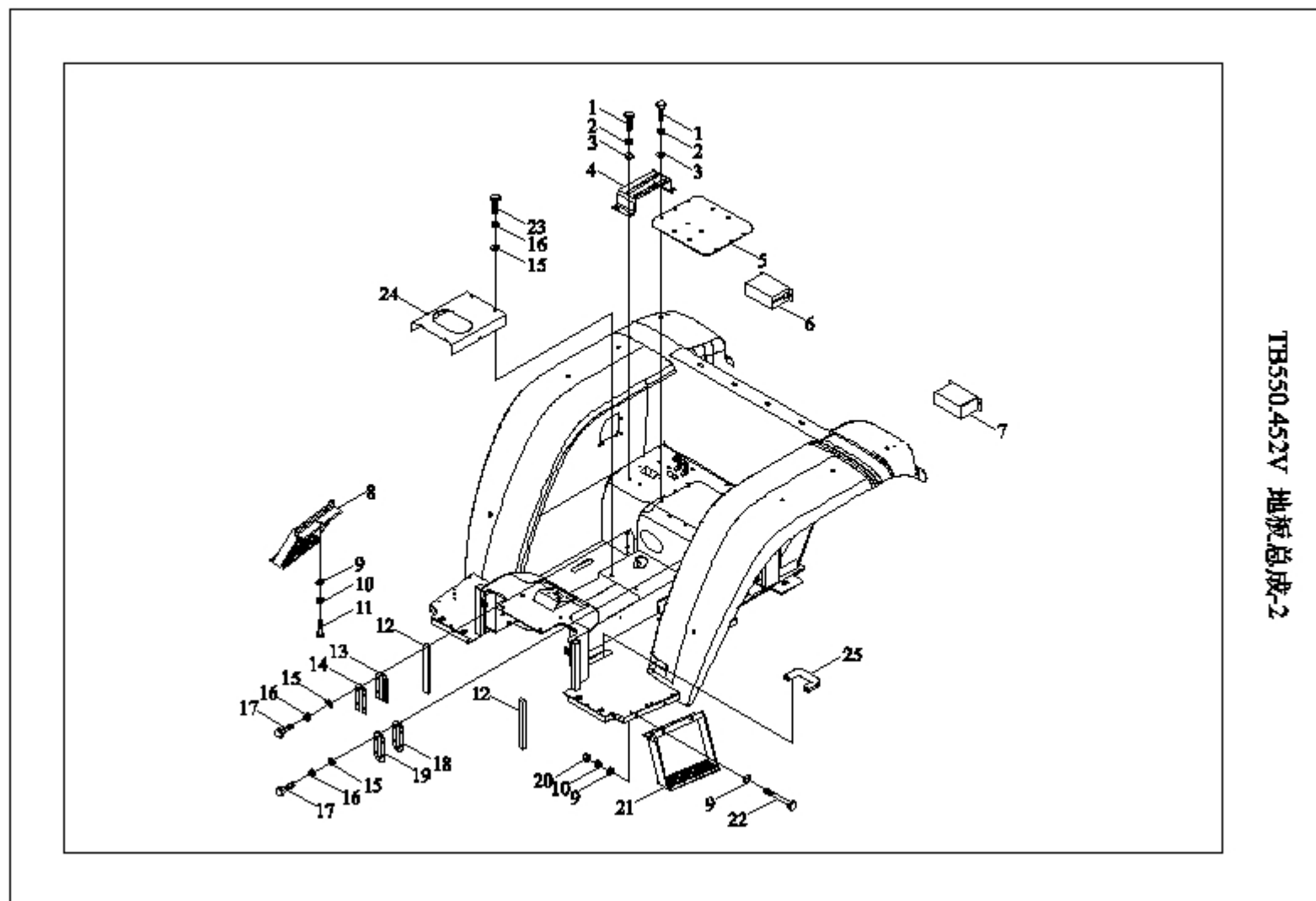
标号 No.	代号 Code	名称 Description		数量 Quantity	备注 Remark
1	TB600.45T.1	驾驶室定位简图	DRIVER'S CAB LOCATING DIAGRAM	1	
10	GBT6170-M10-8-A3L	1型六角螺母	NUT	10	
11	GBT5783-M6X16-8.8-A2L	六角头螺栓	BOLT	6	
12	GBT93-6-A0P	弹簧垫圈	SPRING WASHER	6	
13	GBT97.1-6-A0P	平垫圈	WASHER	6	
14	TB600.45L-02	仪表台总成	DASHBOARD ASSEMBLY	1	
15	GBT6170-M8-8-A2L	1型六角螺母	1-TYPE HEXAGON NUT	2	
16	GBT97.1-8-A0P	平垫圈	WASHER	2	
17	GBT93-8-A0P	垫圈	WASHER	2	
18	GBT5783-M8X20-8.8-A2L	六角头螺栓	BOLT	2	
19	TB400B.471-30	机罩气弹簧	BONNET PNEUMATIC SPRING	2	
2	GBT5783-M12X65-8.8-A2L	六角头螺栓	BOLT	4	
20	FT300.45.992	工艺孔盖	PROCESS HOLE COVER	10	
20	TB600.45L-03	堵盖	PLUG COVER	4	
21	GBT5783-M10X65-8.8-A2L	六角头螺栓	BOLT	4	
22	TB600.45L-69	仪表台密封条	DASHBOARD SEAL STRIP	1	
3	GBT96.1-12-A0P	大垫圈	WASHER	4	
4	GBT97.1-12-A0P	平垫圈	WASHER	4	
5	GBT93-12-A0P	弹簧垫圈	SPRING WASHER	4	
6	GBT6170-M12-8-A3L	1型六角螺母	NUT	4	
7	GBT5783-M10X30-8.8-A3L	六角头螺栓	BOLT	6	
8	GBT97.1-10-A0P	平垫圈	WASHER	10	
9	GBT93-10-A0P	标准型弹簧垫圈	WASHER	10	



TB550.452V 地板总成-1

TB550.452V-1 45.2.1-地板总成-1 FLOOR ASSEMBLY-1

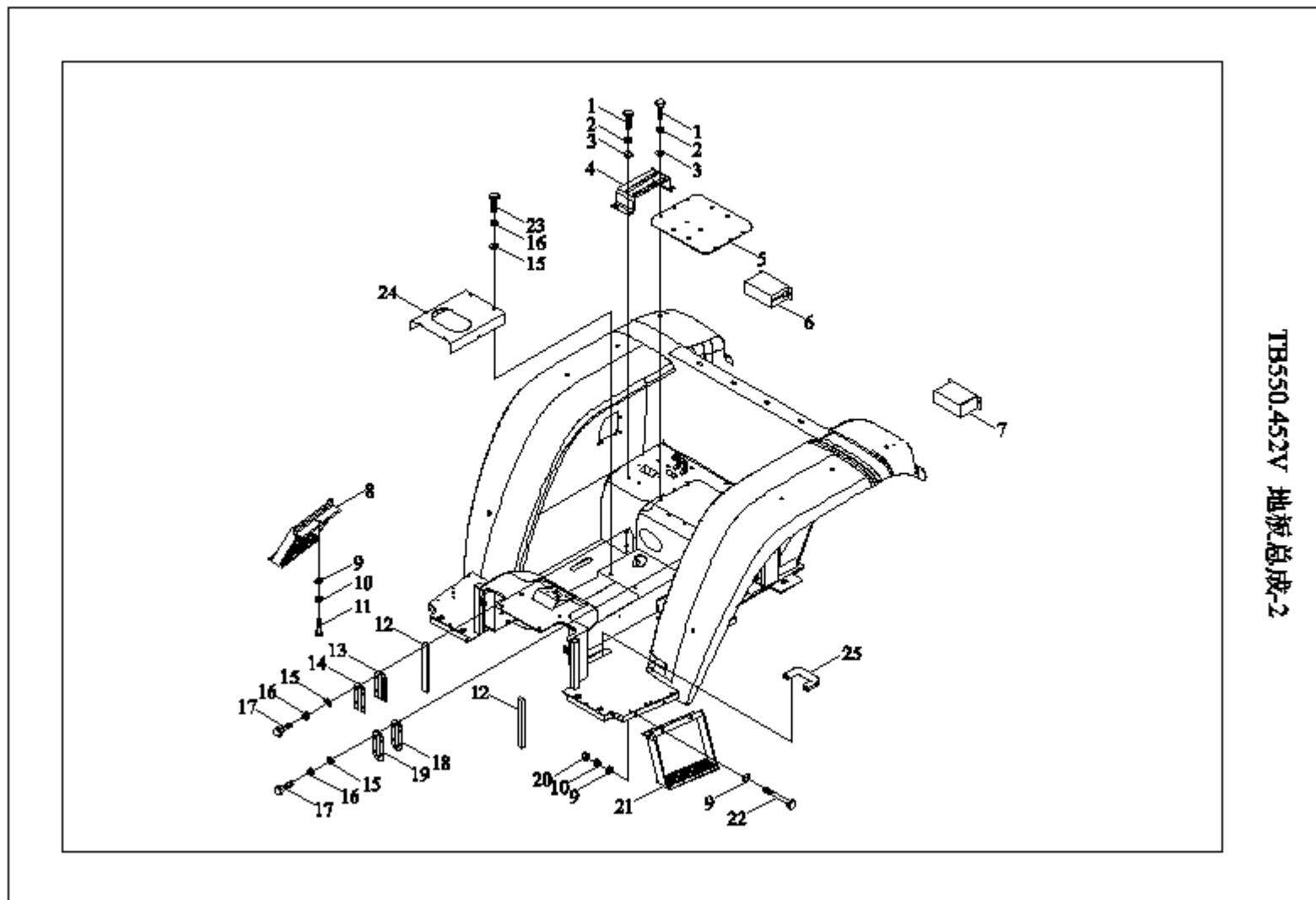
标号 No.	代号 Code	名称 Description		数量 Quantity	备注 Remark
1	TB550.452D-14	左后立柱密封块	LEFT REAR COLUMNIATION SEAL BODY	1	2012-05_
10	TB550.452H-24	后地板盖	REAR FLOOR COVER	1	2012-05_
11	TB550.452H-02	右地板垫	RIGHT FLOOR MAT	1	2012-05_
12	TB550.452H-01	左地板垫	LEFT FLOOR MAT	1	2012-05_
13	TB550.452D-15	右后立柱密封块	RIGHT REAR COLUMNIATION SEAL BODY	1	2012-05_
14	GBT5783-M6X16-8.8-A2L	六角头螺栓	BOLT	6	2012-05_
15	GBT93-6-A0P	弹簧垫圈	SPRING WASHER	6	2012-05_
16	GBT97.1-6-A0P	平垫圈	WASHER	7	2012-05_
2	TB550.452H-09	后横梁密封条	REAR ACROSS BEAM SEAL STRIP	1	2012-05_
3	TB550.452H-25	U型板盖	U PLATE COVER	1	2012-05_
4	TB550.452V.1	地板焊接	FLOOR WELDMENT	1	2012-05_
5	TB550.452H-13	驾驶室边梁密封条	CAB SIDE-BEAM SEAL STRIP	2	2012-05_
6	TB550.452H-07	电器盒盖	ELECTRICAL BOX COVER	1	2012-05_
7	TB550.452H-04	边梁密封条	SIDE-BEAM SEAL STRIP	2	2012-05_
8	TB550.452H-05	前横梁密封条	FRONT BEAM SEAL STRIP	2	2012-05_
9	TB550.452H-16	密封套	SEAL SLEEVE	1	2012-05_



TB550.452V 地板总成-2

TB550.452V-2 45.2.2-地板总成-2 FLOOR ASSEMBLY-2

标号 No.	代号 Code	名称 Description		数量 Quantity	备注 Remark
1	GBT5783-M8X20-8.8-A2L	六角头螺栓	BOLT	12	2012-05_
10	GBT93-10-A0P	标准型弹簧垫圈	WASHER	6	2012-05_
11	GBT5783-M10X30-8.8-A3L	六角头螺栓	BOLT	2	2012-05_
12	TB550.452H-03	前立柱密封条	FRONT VERTICAL COLUMN SEAL STRIP	2	2012-05_
13	TB550.452H-15	密封套	SEAL SLEEVE	1	2012-05_
14	TB550.452H-14	密封套压板1	SEAL SLEEVE PRESSURE PLATE 1	1	2012-05_
15	GBT97.1-5-A0P	垫圈	WASHER	17	2012-05_
16	GBT93-5-A0P	标准型弹簧垫圈	WASHER	17	2012-05_
17	GBT5783-M5X16-8.8-A2L	六角头螺栓	BOLT	11	2012-05_
18	TB550.452H-17	密封套2	SEAL SLEEVE 2	1	2012-05_
19	TB550.452H-18	密封套压板2	SEAL SLEEVE PRESSURE PLATE 2	1	2012-05_
2	GBT93-8-A0P	垫圈	WASHER	12	2012-05_
20	GBT6170-M10-A3L	螺母	NUT	4	2012-05_
21	TB550.452H.2	左脚蹬总成	LEFT FOOT PEDAL ASSEMBLY	1	2012-05_
22	GBT5783-M10X70-8.8-A2L	六角头螺栓	BOLT	4	2012-05_
23	GBT5783-M5X12-8.8-A2L	六角头螺栓	BOLT	6	2012-05_
24	TB550.452H-20	盖板	COVER PLATE	1	2012-05_
25	TB550.452H-19	胶条1	ADHESIVE TAPE 1	3	2012-05_
25	TB550.452H-19	胶条1	ADHESIVE TAPE 1	3	2012-05_
3	GBT97.1-8-A0P	平垫圈	WASHER	12	2012-05_
4	TB550.452H-08	折弯板	BENDING BOARD	1	2012-05_
5	TB550.452H.5	座椅固定板焊接	SEAT FIXING PLATE WELDMENT	1	2012-05_
6	TB450.45A.2	右后灯挡板焊接	RIGHT REAR LAMP BAFFLE WELDMENT	1	2012-05_
7	TB450.45A.1	左后灯挡板焊接	LEFT REAR LAMP BAFFLE WELDMENT	1	2012-05_
8	TB550.452H.3	右脚蹬总成	RIGHT FOOT PEDAL ASSEMBLY	1	2012-05_

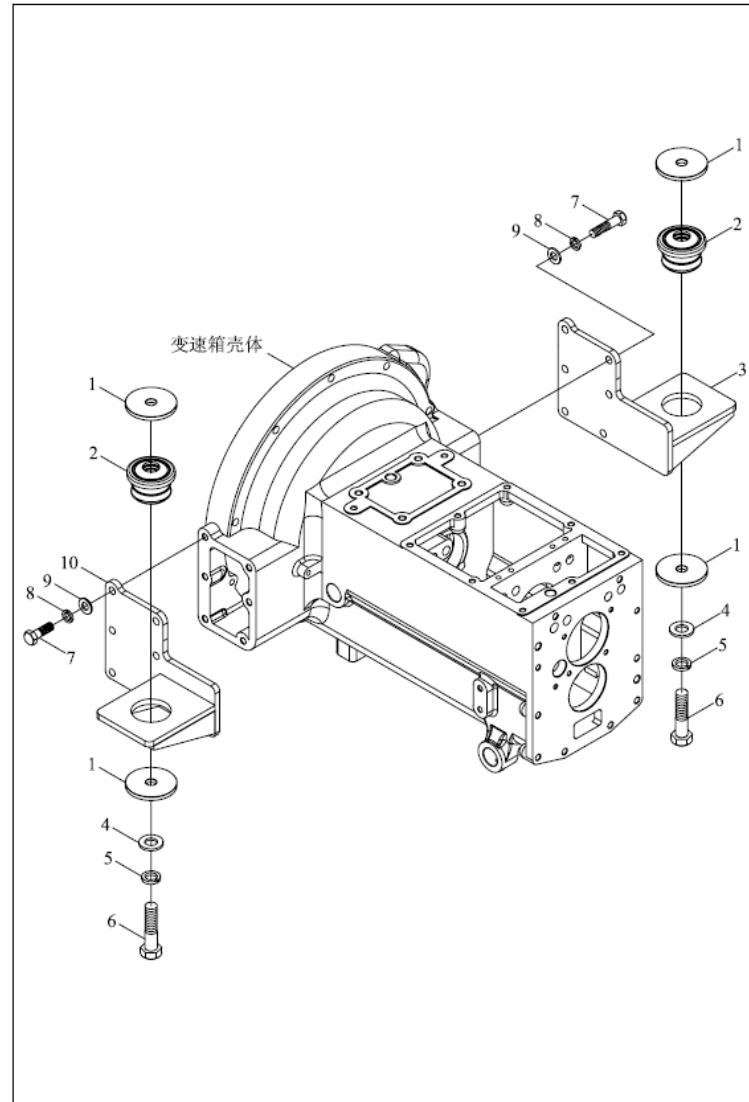


TB550.452V 底盘总成-2

TB550.452V-2 45.2.2-地板总成-2(续)

标号 No.	代号 Code	名称 Description		数量 Quantity	备注 Remark
9	GBT97.1-10-A0P	平垫圈	WASHER	10	2012-05_

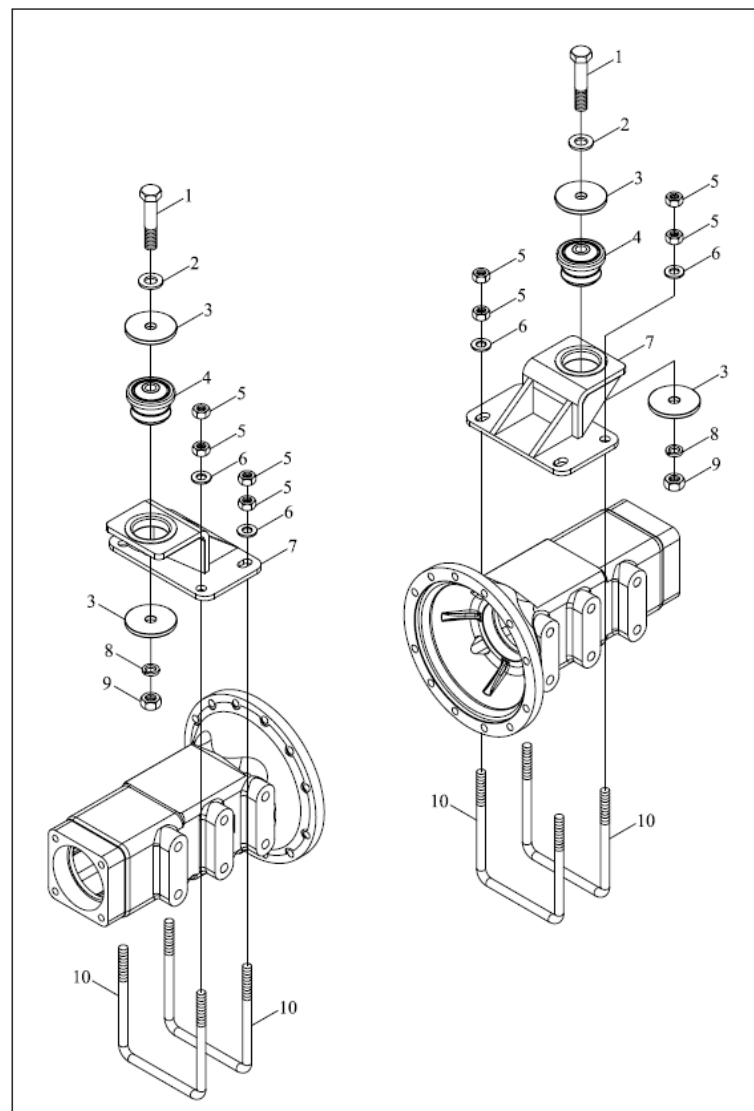
TB400.457B 前连接总成



TB400.457B 45.7-前连接总成 45.7-FRONT CONNECTING ASSEMBLY

标号 No.	代号 Code	名称 Description		数量 Quantity	备注 Remark
1	TB400.457B-02	挡圈	RETAINER RING	4	2009-12_
10	TB400.457B.1	左前连接焊合	LEFT FRONT CONNECTION WELDMENT	1	2011-11_
2	TB400.457B-01	减震块	ABSORBER	2	2009-12_
3	TB400.457B.2	右前连接焊合	RIGHT FRONT CONNECTION WELDMENT	1	2011-11_
4	GBT97.1-16-A0P	垫圈	WASHER	2	2011-11_
5	GBT93-16-A0P	弹簧垫圈	SPRING WASHER	2	2011-11_
6	GBT5783-M16X80-8.8-A3L	六角头螺栓	BOLT	2	2011-11_
7	GBT5783-M12X35-8.8-A3L	六角头螺栓	BOLT	12	2011-11_
8	GBT93-12-A0P	弹簧垫圈	SPRING WASHER	12	2011-11_
9	GBT97.1-12-A0P	平垫圈	WASHER	10	2011-11_

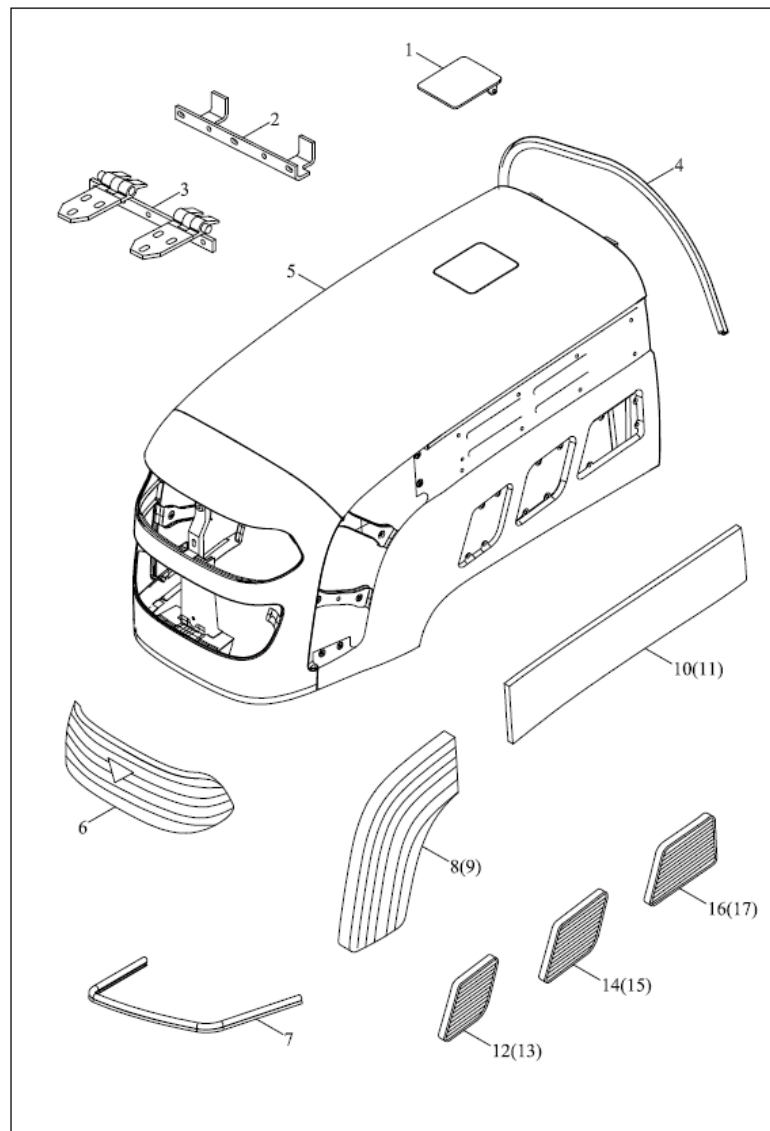
TB400.458B 后连接总成



TB400.458B 45.8-后连接总成 45.8-REAR CONNECTING ASSEMBLY

标号 No.	代号 Code	名称 Description		数量 Quantity	备注 Remark
1	GBT5783-M16X90-8.8-A2L	六角头螺栓	BOLT	4	
10	FT400.46.350	U型螺栓	U BOLT	4	2011-11_
2	GBT97.1-16-A0P	垫圈	WASHER	2	2011-11_
3	TB400.457B-02	挡圈	RETAINER RING	4	2009-12_
4	TB400.457B-01	减震块	ABSORBER	2	2009-12_
5	GBT6170-M14-A3L	螺母	NUT	16	2011-11_
6	GBT97.1-14-A0P	垫圈14-A0P	WASHER	8	2011-11_
7	TB400.458B.1	后连接焊合	REAR CONNECTING WELDMENT	2	2011-11_
8	GBT93-16-A0P	弹簧垫圈	SPRING WASHER	2	2011-11_
9	GBT6170-M16-A3L	螺母 M16-A3L	NUT	2	2011-11_

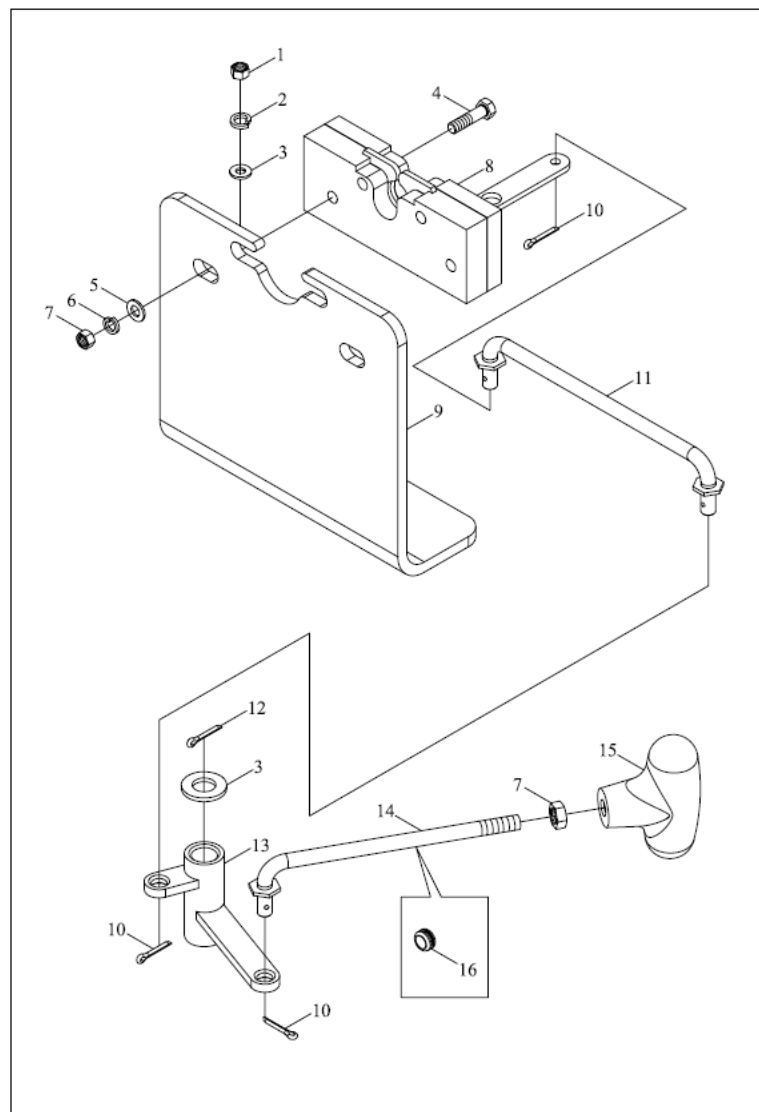
TB400B.471 Hood mounting assembly



TB400B.471 47.1-机罩装配总成 47.1-BONNET INSTALLATION ASSEMBLY

标号 No.	代号 Code	名称 Description		数量 Quantity	备注 Remark
1	TB400B.471.2	加油盖总成	OIL FILLING COVER ASSEMBLY	1	2004-01_
1	TB400B.471.3	加油口盖总成	FILLER CAP	1	2012-10_
10	TB400B.471-04	左后装饰件	LEFT REAR DECORATION	1	2011-11_
11	TB400B.471-05	右后装饰件	RIGHT REAR DECORATION PART	1	2011-11_
12	TB400B.471-06	左前下栅格	LEFT FRONT LOWER GRID	1	2011-11_
13	TB400B.471-07	右前下栅格	RIGHT FRONT LOWER GRID	1	2011-11_
14	TB400B.471-08	左中下栅格	LEFT MIDDLE LOWER GRID	1	2011-11_
15	TB400B.471-09	右中下栅格	RIGHT MIDDLE LOWER GRID	1	2011-11_
16	TB400B.471-10	左后下栅格	LEFT REAR LOWER GRID	1	2011-11_
17	TB400B.471-11	右后下栅格	RIGHT REAR LOWER GRID	1	2011-11_
2	TB400B.471-15	铰链上座	HINGE UPPER SEAT	2	2010-12_
3	TB400B.471-16	铰链下座	HINGE LOWER SEAT	1	2011-11_
4	TB400B.471-14	机罩密封条	BONNET SEAL STRIP	1	2010-12_
5	TB400B.471.1	机罩焊合	BONNET WELDMENT	1	2011-11_
6	TB400B.471-01	前脸栅格	FRONT GRID	1	2011-11_
7	TB400B.471-17	前下缓冲胶条	FRONT LOWER CUSHION RUBBER PIECE	1	2011-03_
8	TB400B.471-02	左前栅格	LEFT FRONT GRID	1	2011-11_
9	TB400B.471-03	右前栅格	RIGHT FRONT GRID	1	2011-11_

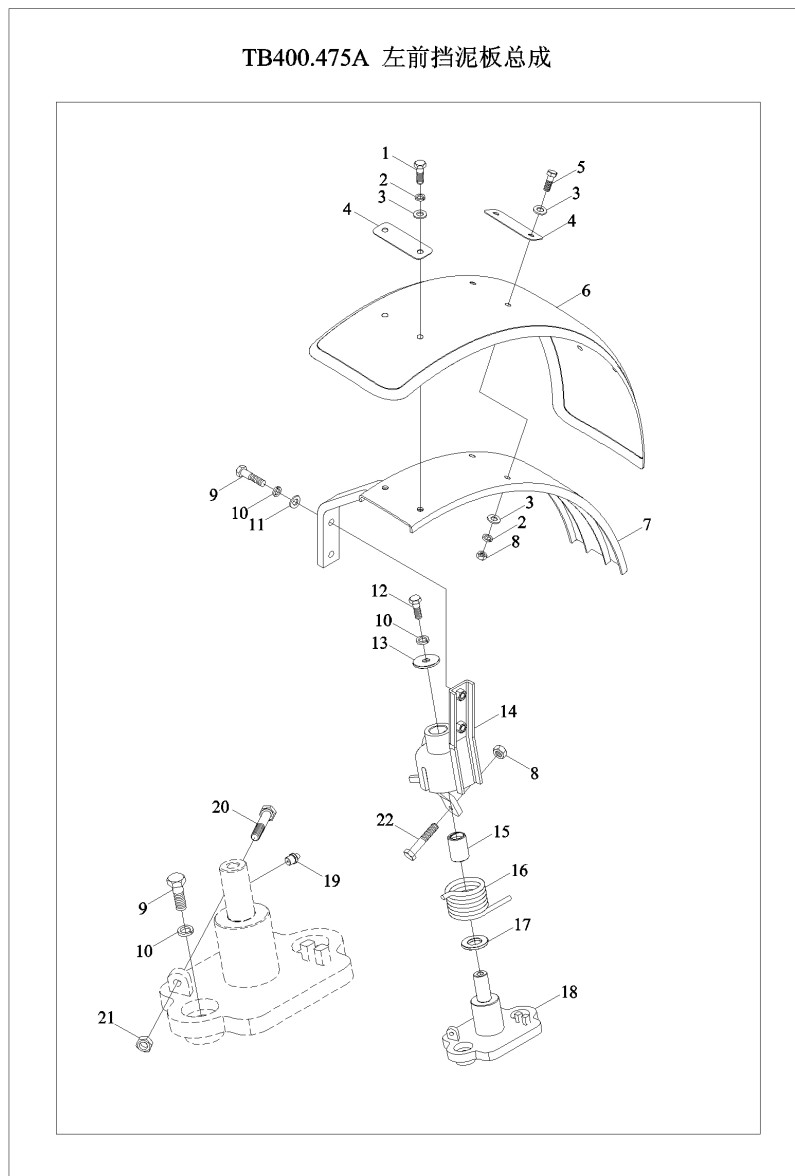
TB400B.473 机罩锁紧装置总成



TB400B.473 47.3-机罩锁紧装置总成 47.3-BONNET LOCKING DEVICE ASSEMBLY

标号 No.	代号 Code	名称 Description		数量 Quantity	备注 Remark
0	TB400B.473.4	拉杆焊合	WELDED PUSHING ROD	1	2011-08_
1	GBT6170-M8-A2L	螺母	NUT	3	2011-11_
10	GBT91-1.6X16-A0P	开口销	PIN	3	2011-11_
11	TB400B.473.2	拉杆焊合	WELDED PUSHING ROD	1	2011-08_
12	GBT91-2.5X25-A0P	开口销	PIN	1	2011-11_
13	TB400B.473.3	摇臂焊合	ROCKER WELDMENT	1	2011-08_
14	FT800A.47.098	拉杆焊合(二)	PULL ROD WELDMENT (2)	1	2011-11_
15	FT800A.47.056	手柄总成	HANDLE ASSEMBLY	1	2011-11_
16	TB450.473-02	胶圈	RUBBER RING	1	2008-08_
2	GBT93-8-A0P	垫圈	WASHER	3	2011-11_
3	GBT97.1-8-A0P	平垫圈	WASHER	3	2011-11_
4	GBT5783-M6X35-8.8-A1L	六角头螺栓	BOLT	4	2004-01_
5	GBT97.1-6-A0P	平垫圈	WASHER	7	2011-11_
6	GBT93-6-A0P	弹簧垫圈	SPRING WASHER	4	2011-11_
7	GBT6170-M6-A2L	螺母	NUT	5	2011-11_
8	FT800.47.127	机罩锁总成	BONNET LOCK ASSEMBLY	1	2004-01_
8	TG1204.474.4	机罩锁	BONNET LOCK	1	2011-08_
9	TB400B.473-01	机罩锁板	BONNET LOCK PLATE	1	2011-08_

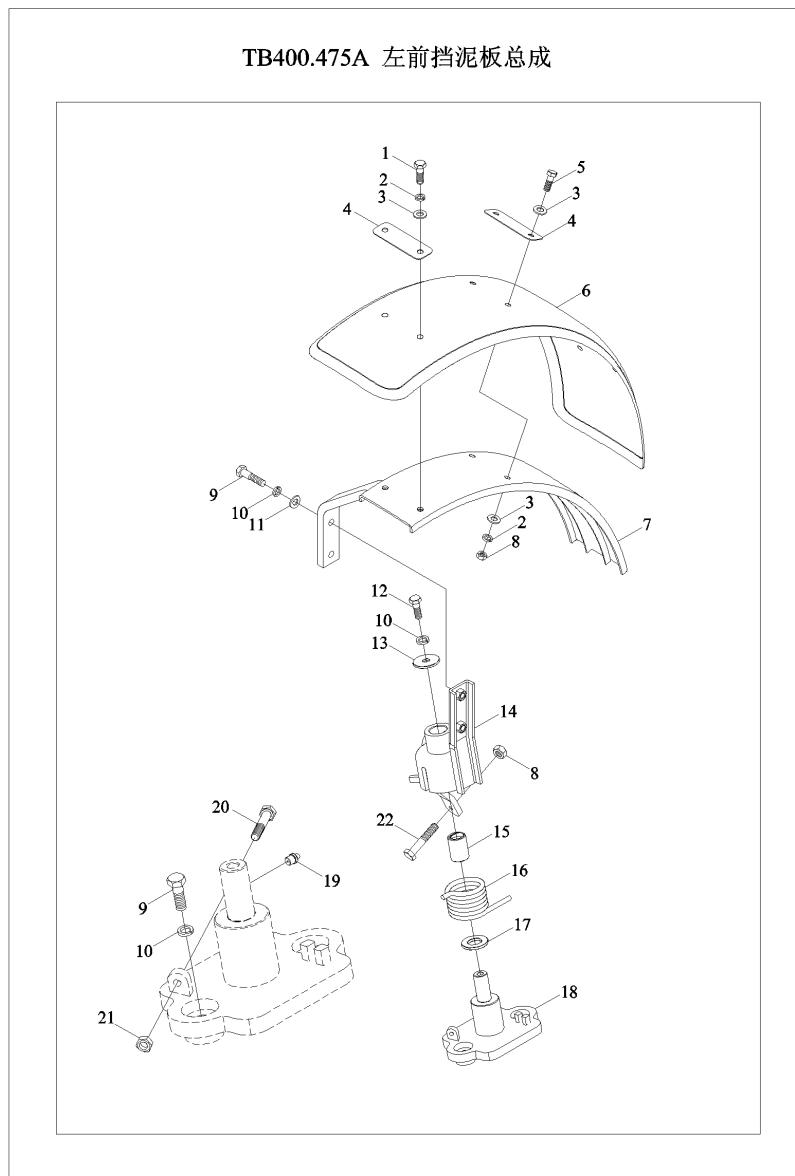
TB400.475A 左前挡泥板总成



TB400.475A 47.5-左前挡泥板总成 47.5-LEFT FRONT MUD GUARD ASSEMBLY

标号 No.	代号 Code	名称 Description		数量 Quantity	备注 Remark
1	GBT5783-M10X35-8.8-A3L	六角头螺栓	BOLT	2	2013-08_
1	GBT5783-M10×35-8.8-A3L	六角头螺栓	BOLT	2	2012-12_
10	GBT93-12-A0P	弹簧垫圈	SPRING WASHER	5	2012-12_
11	GBT97.1-12-A0P	平垫圈	WASHER	2	2012-12_
12	GBT5783-M12X30-10.9-A3L	六角头螺栓	BOLT	1	
13	TB400.475-07	垫圈	WASHER	1	2012-12_
14	TB400.475A.3	左安装下支架焊合	INSTALLATION BRACKET WELDMENT	1	2011-11_
15	TB400.475A-01	衬套	SLEEVE	1	2011-11_
16	TB400.475A-02	左扭簧	LEFT TORQUE SPRING	1	2011-11_
17	TB400.475-06	垫圈	WASHER	1	2012-12_
18	TB400.475A.1	左安装板焊合	LEFT INSTALLATION PLATE WELDMENT	1	
19	JBT7940.1-M10×1	油杯	OIL CUP	1	2012-12_
19	JBT7940.1-M10X1	直通式压注油杯	STRAIGHT PRESSURE FILLING OIL CUP	1	2013-08_
2	GBT93-10-A0P	标准型弹簧垫圈	WASHER	6	2012-12_
20	GBT5783-M8×45-8.8-A2L	六角头螺栓	BOLT	1	2012-12_
20	GBT5783-M8X45-8.8-A2L	六角头螺栓	BOLT	1	2013-08_
21	GBT6170-M8-8-A2L	1型六角螺母	I-TYPE HEXAGON NUT	1	2012-12_
22	GBT5783-M10×55-8.8-A2L	六角头螺栓	BOLT	1	2012-12_
22	GBT5783-M10X55-8.8-A2L	六角头螺栓	BOLT	1	2013-08_
3	GBT97.1-10-A0P	平垫圈	WASHER	10	2012-12_
4	TB400.475A-04	加强板	STRENGTHEN PLATE	3	
5	GBT5783-M10X30-8.8-A3L	六角头螺栓	BOLT	4	2013-08_
5	GBT5783-M10×30-8.8-A3L	六角头螺栓	BOLT	4	2012-12_
6	TB400.475A-03	左前挡泥板	LEFT FRONT MUD GUARD	1	
7	TB400.475A.2	左安装上支架焊合	UPPER BRACKET WELDMENT-LEFT	1	2011-11_

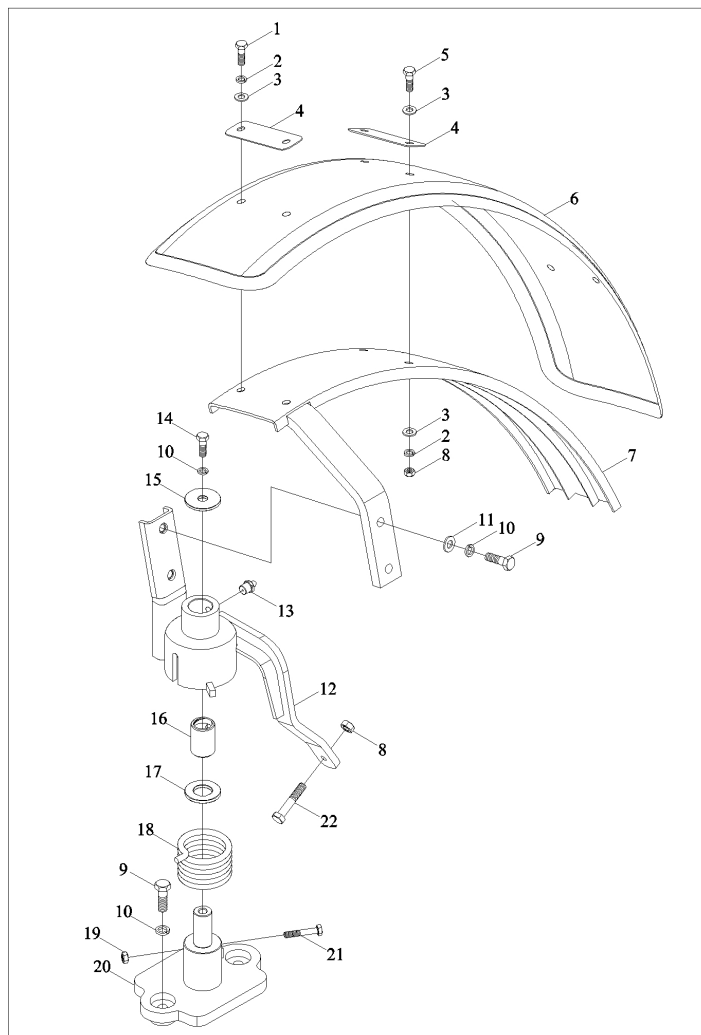
TB400.475A 左前挡泥板总成



TB400.475A 47.5-左前挡泥板总成(续)

标号 No.	代号 Code	名称 Description		数量 Quantity	备注 Remark
8	GBT6170-M10-8-A3L	1型六角螺母	NUT	5	2012-12_
9	GBT5783-M12X40-8.8-A3L	六角头螺栓	BOLT	4	2013-08_
9	GBT5783-M12 × 40-8.8-A3L	六角头螺栓	BOLT	4	2012-12_

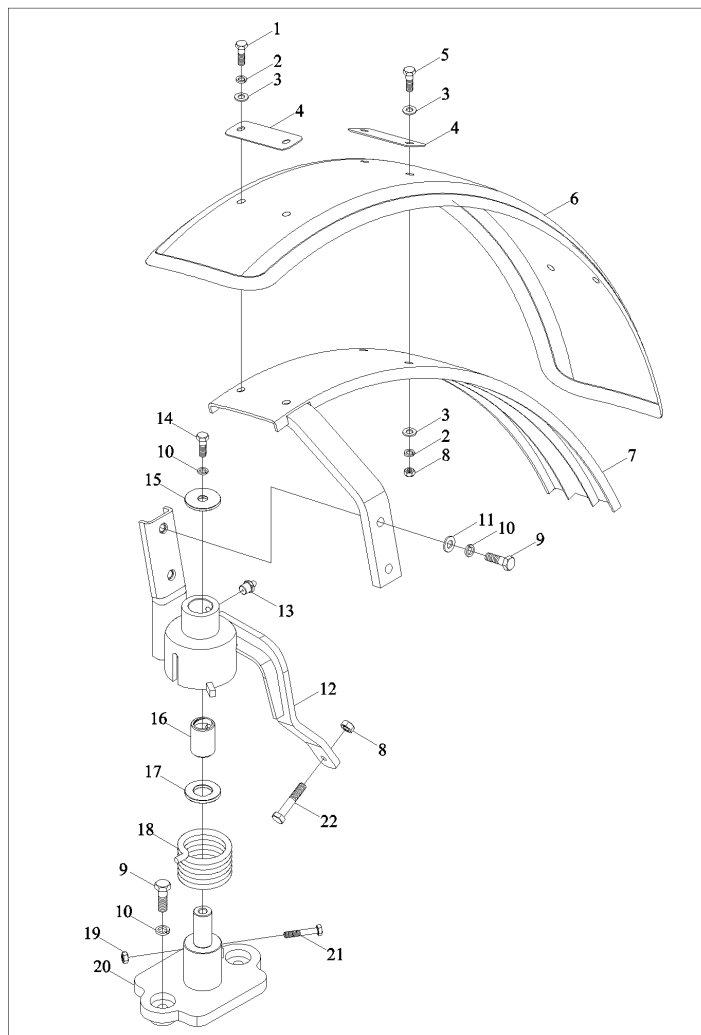
TB400.476A 右前挡泥板总成



TB400.476A 47.6-右前挡泥板总成 47.6-RIGHT FRONT MUD GUARD ASSEMBLY

标号 No.	代号 Code	名称 Description		数量 Quantity	备注 Remark
1	GBT5783-M10X35-8.8-A2L	六角头螺栓	BOLT	2	
10	GBT93-12-AOP	垫圈	WASHER	5	
10	GBT93-12-A0P	弹簧垫圈	SPRING WASHER	5	2013-08_
11	GBT97.1-12-AOP	垫圈	WASHER	2	2012-12_
11	GBT97.1-12-A0P	平垫圈	WASHER	2	2013-08_
12	TB400.476A.3	右安装下支架焊合	INSTALLATION BRACKET WELDMENT	1	
13	JBT7940.1-M10×1	油杯	OIL CUP	1	2012-12_
14	GBT5783-M12X30-10.9-A3L	六角头螺栓	BOLT	1	
15	TB400.475-07	垫圈	WASHER	1	2012-12_
16	TB400.475A-01	衬套	SLEEVE	1	
17	TB400.475-06	垫圈	WASHER	1	2012-12_
18	TB400.476A-01	右扭簧	RIGHT TORSION SPRING	1	
19	GBT6170-M8-8-A2L	I型六角螺母	I-TYPE HEXAGON NUT	1	2012-12_
2	GBT93-10-AOP	垫圈	WASHER	6	2012-12_
2	GBT93-10-A0P	标准型弹簧垫圈	WASHER	6	2013-08_
20	TB400.476A.1	右安装板焊合	RIGHT FIX WELDMENT	1	
21	GBT5783-M8×45-8.8-A2L	六角头螺栓	BOLT	1	2012-12_
21	GBT5783-M8X45-8.8-A2L	六角头螺栓	BOLT	1	2013-08_
22	GBT5783-M10X55-8.8-A2L	六角头螺栓	BOLT	1	
3	GBT96.1-10-A0P	大垫圈	WASHER	10	
4	TB400.475A-04	加强板	STRENGTHEN PLATE	3	
5	GBT5782-M10X30-10.9-A3L	六角头螺栓	BOLT	4	
6	TB400.475A-03	左前挡泥板	LEFT FRONT MUD GUARD	1	
7	TB400.476A.2	右安装上支架焊合	INSTALLATION BRACKET WELDMENT	1	
8	GBT6170-M10-8-A3L	I型六角螺母	NUT	5	2012-12_

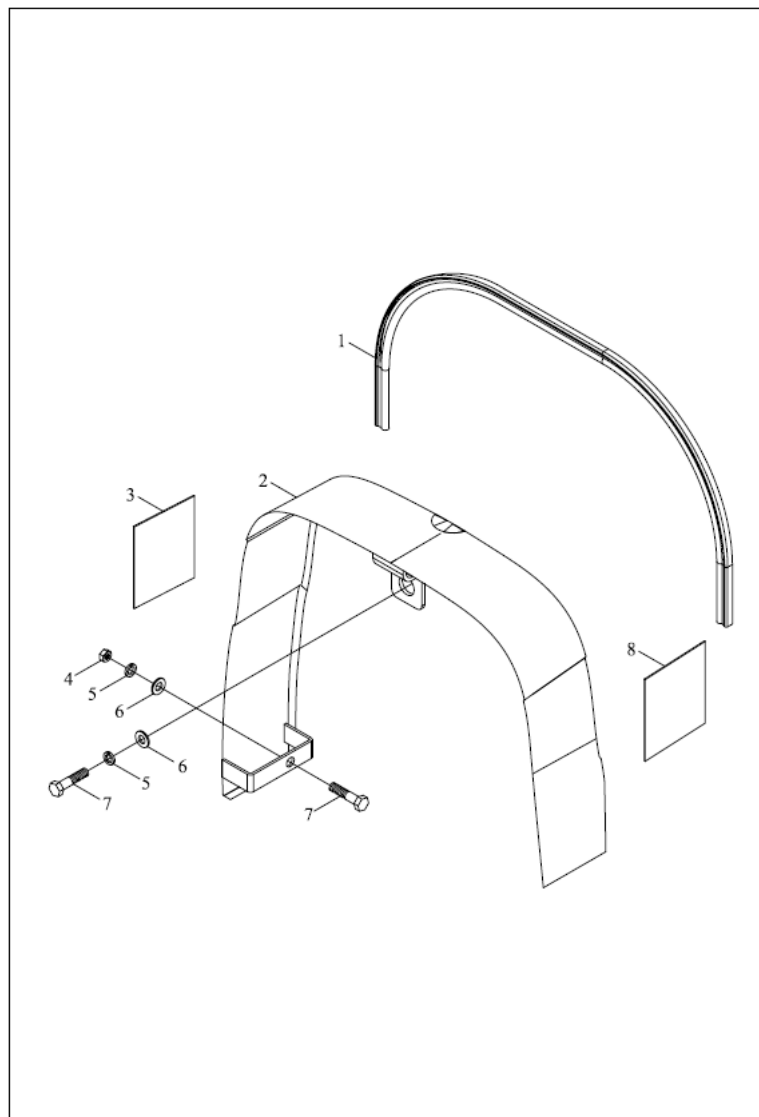
TB400.476A 右前挡泥板总成



TB400.476A 47.6-右前挡泥板总成(续)

标号 No.	代号 Code	名称 Description		数量 Quantity	备注 Remark
9	GBT5783-M12X40-8.8-A3L	六角头螺栓	BOLT	4	2013-08_
9	GBT5783-M12×40-8.8-A3L	六角头螺栓	BOLT	4	2012-12_

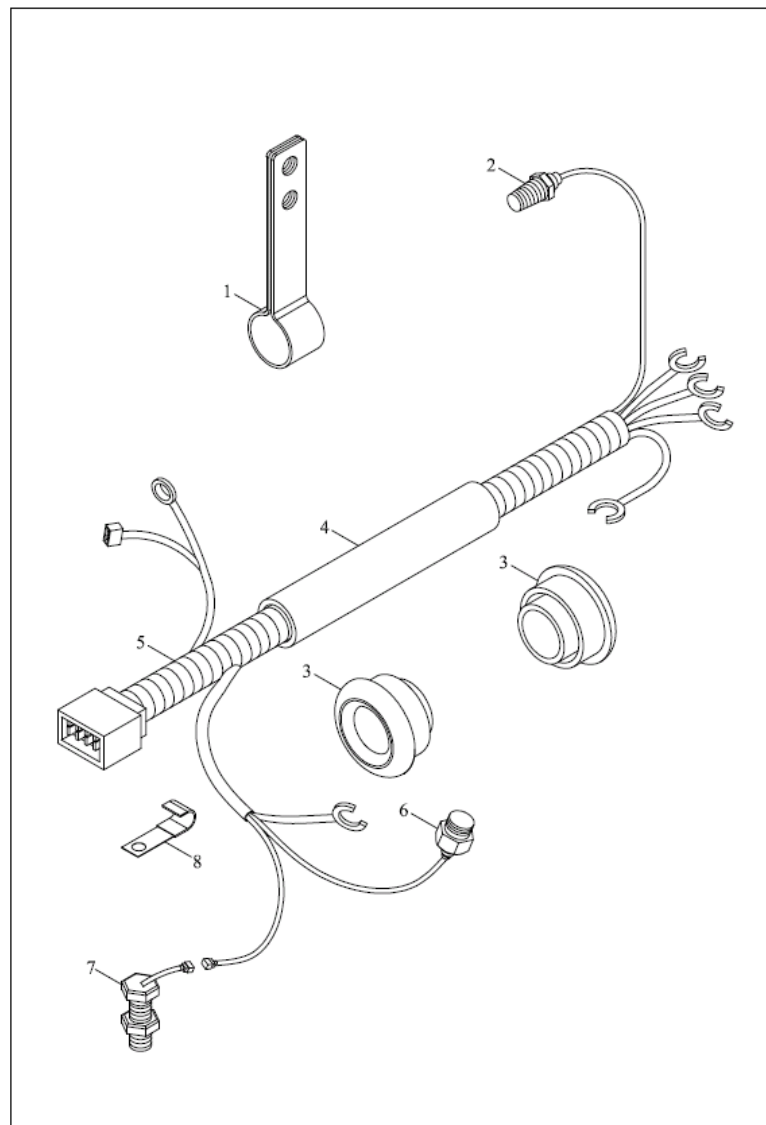
TB550.477E 机罩加长板总成



TB550.477E 47.7-机罩加长板总成 47.7-BONNET EXTENSION PLATE ASSEMBLY

标号 No.	代号 Code	名称 Description		数量 Quantity	备注 Remark
1	TB550.477B-03	加长板密封条	EXTENSION PLATE SEAL PIECE	1	2010-05_
1	TB400B.471-14	机罩密封条	BONNET SEAL STRIP	1	2004-01_
2	TB550.477E.1	机罩加长板焊合	BONNET EXTENSION PLATE WELDMENT	1	2011-11_
3	TB550.477D-02	右装饰胶条	RIGHT DECORATION ADHESIVE STRIP	1	2011-11_
4	GBT6170-M8-A2L	螺母	NUT	2	2011-11_
5	GBT93-8-A0P	垫圈	WASHER	3	2011-11_
6	GBT97.1-8-A0P	平垫圈	WASHER	3	2011-11_
7	GBT5781-M8X30-A2L	六角头螺栓	BOLT	3	2011-11_
8	TB550.477D-01	左装饰胶条	LEFT DECORATION ADHESIVE PIECE	1	2011-11_

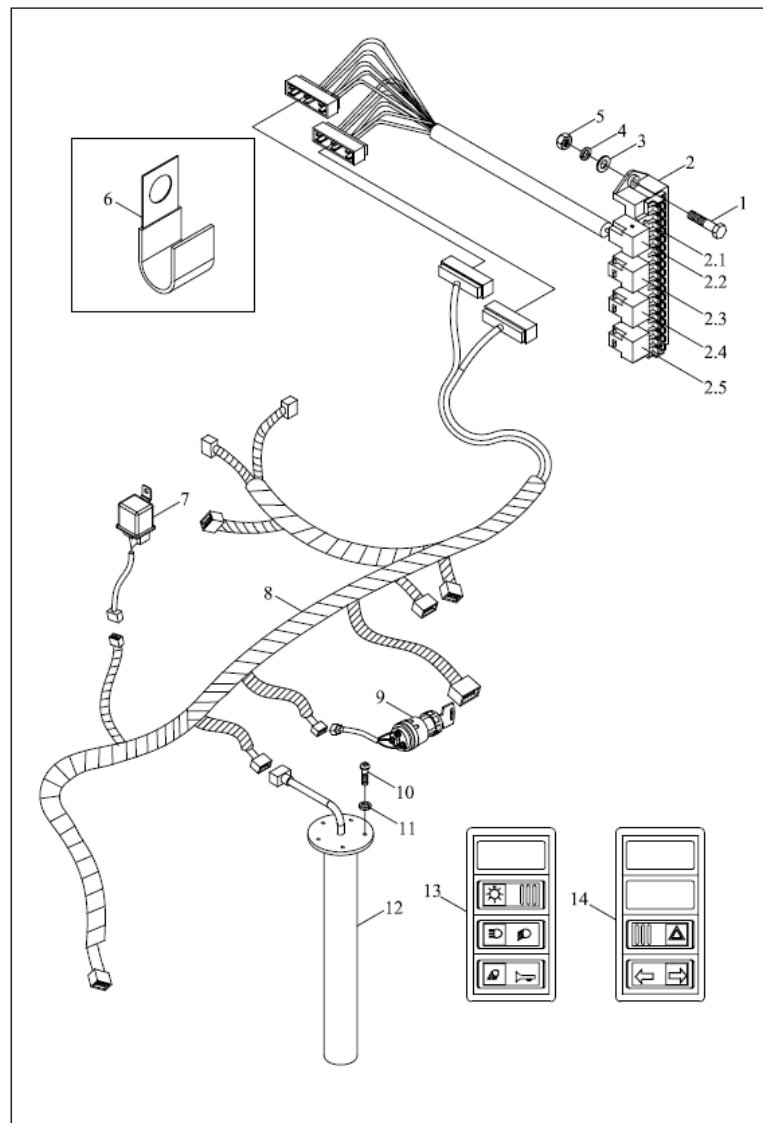
TB450.481H Engine wire harness mounting assembly



TB450.481H 48.1-发动机线束安装总成 48.1-ENGINE HARNESS INSTALLATION ASSEMBLY

标号 No.	代号 Code	名称 Description		数量 Quantity	备注 Remark
1	FT400.48B.1-01	钢管固定夹	FIXING CLIP OF STEEL PIPE	2	2011-11_
2	FT300.48.072	水温传感器	WATER TEMPERATURE SENSOR	1	2011-11_
3	FT800.48L.107	护线套	SLEEVE	2	2011-11_
4	FT300.48P.102	线束套管	HARNESS SLEEVE	1	2011-11_
5	TB450.481H.1	发动机线束总成	ENGINE HARNESS ASSEMBLY	1	2011-11_
6	FT300.48.073a	机油压力报警器	O? L PRESSURE SENSOR	1	2011-11_
7	FT300.48.074	转速传感器	RPM SENSOR	1	2011-11_
8	FT304.48L.203	线束紧固夹	HARNESS TIGHTEN CLIP	2	2011-11_

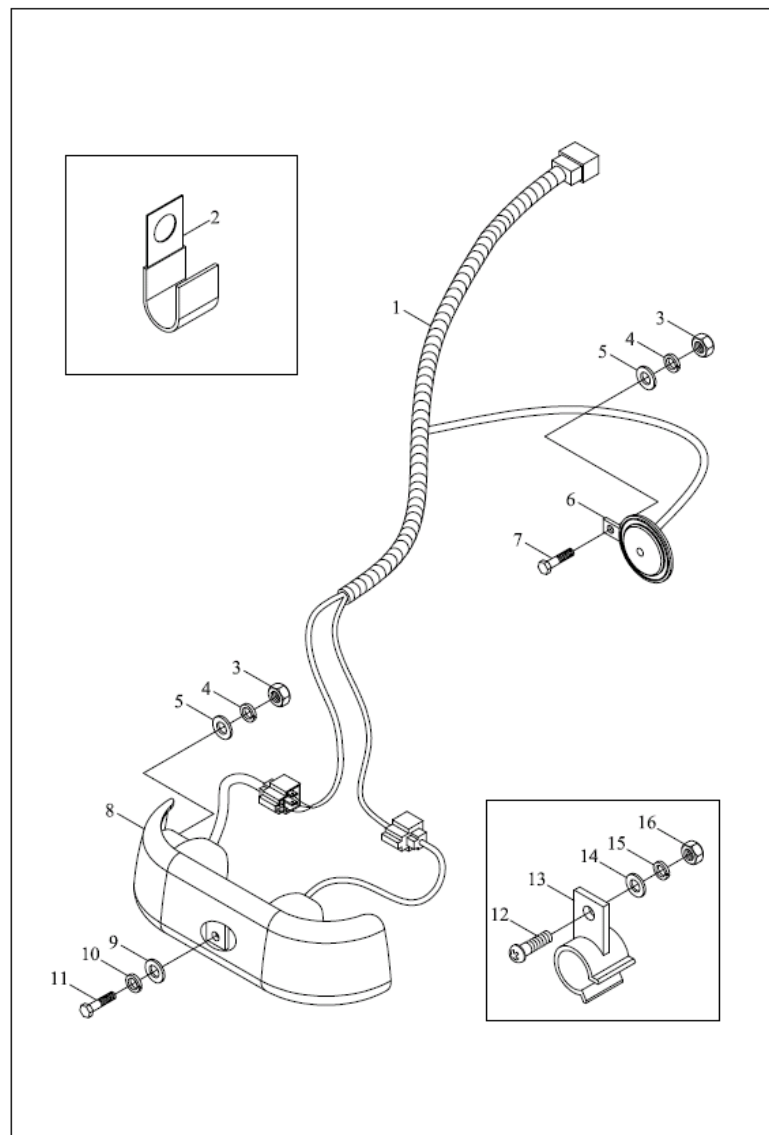
TB450.482H 车身线束安装总成



TB450.482H 48.2-车身线束安装总成 48.2-BODY HARNESS INSTALLATION ASSEMBLY

标号 No.	代号 Code	名称 Description		数量 Quantity	备注 Remark
1	GBT5783-M6x16-A2L	螺栓	BOLT	2	2011-11_
10	GBT818-M4X10-A2L	螺钉	SCREW	5	2011-11_
11	GBT93-4-A0P	标准型弹簧垫圈	WASHER	5	2011-11_
12	FT300.48.071a	油量传感器	OIL QUANTITY SENSOR	1	2011-11_
13	FT300.48D.2.3	左翘板开关	LEFT PADDLE SWITCH	1	2009-12_
13	TB450.482.4	左翘板开关	LEFT PADDLE SWITCH	1	2012-12_
14	TB450.482N.4	右翘板开关	RIGHT BUTTON SWITCH	1	2012-12_
14	TB450.482.1	右翘板开关	RIGHT BUTTON SWITCH	1	2009-12_
2	TB450.482H.2	中央电器盒总成	CENTRAL ELECTRICAL BOX ASSEMBLY	1	2010-02_
2.12	TD9600000800	保险片	FUSE	4	
2.13	TD9600000900	保险片	FUSE	3	2013-04_
2.14	TD9600001200	保险片	FUSE	2	2013-04_
2.2	FT300.48.513	电子闪光灯	ELECTRIC FLASH	1	2011-11_
2.3	FT300.48.512	主电源继电器	MAIN POWER RELAY	1	2011-11_
2.4	FT300.48D.2.2.2	预热继电器	PREHEATING RELAY	1	2011-11_
2.5	FT300.48D.2.2.1	电压调节器	VOLTAGE ADJUSTER	1	2011-11_
2.5	FT300.48D.2.2.1	电压调节器	VOLTAGE ADJUSTER	1	2011-11_
3	GBT97.1-6-A0P	平垫圈	WASHER	2	2011-11_
4	GBT93-6-A0P	弹簧垫圈	SPRING WASHER	2	2011-11_
5	GBT6170-M6-A2L	螺母	NUT	2	2011-11_
6	FT65.48.095	线束紧固夹(一)	HARNESS TIGHTEN CLIP (1)	1	2011-11_
7	TB450.482.2	启动继电器	STARTING RELAY	1	2009-12_
8	TB450.482J.1	车身线束总成	BODY HARNESS ASSEMBLY	1	2011-11_
9	FT300.48.064	点火锁	IGNITION LOCK	1	2011-11_

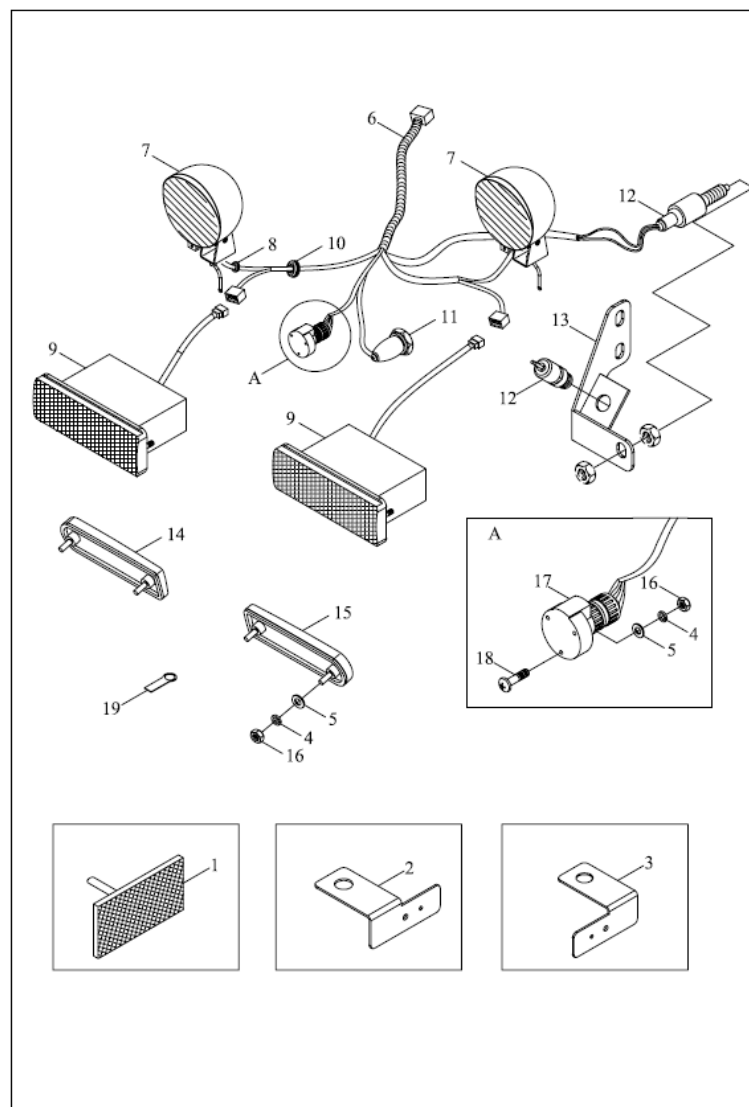
TB450.483B Front lamp wire harness mounting assembly



TB450.483B 48.3-前灯线束安装总成 48.3-FRONT LAMP HARNESS INSTALLATION ASSEMBLY

标号 No.	代号 Code	名称 Description	数量 Quantity	备注 Remark
1	TB404.483.1	前灯线束总成	1	2011-11_
10	GBT93-8-A0P	垫圈	2	2011-11_
11	GBT5783-8X16-A2L	六角头螺栓	2	2011-11_
12	GBT818-M5X14-A2L	十字槽盘头螺钉	1	2011-11_
13	TB400.483-01	线束卡扣	1	2011-11_
14	GBT97.1-5-A0P	垫圈	1	2011-11_
15	GBT93-5-A0P	标准型弹簧垫圈	1	2011-11_
16	GBT6170-M5-A2L	1型六角螺母	1	2011-11_
2	FT65.48.097	线束固定夹(二)	6	2011-11_
3	GBT6170-M6-A2L	螺母	3	2011-11_
4	GBT93-6-A0P	弹簧垫圈	3	2011-11_
5	GBT97.1-6-A0P	平垫圈	3	2011-11_
6	TD800.483B.3	电喇叭	1	2011-11_
7	GBT5783-M6x16-A2L	螺栓	1	2011-11_
8	TB404.483.2	前大灯总成	1	2011-11_
9	GBT97.1-8-A0P	平垫圈	2	2011-11_

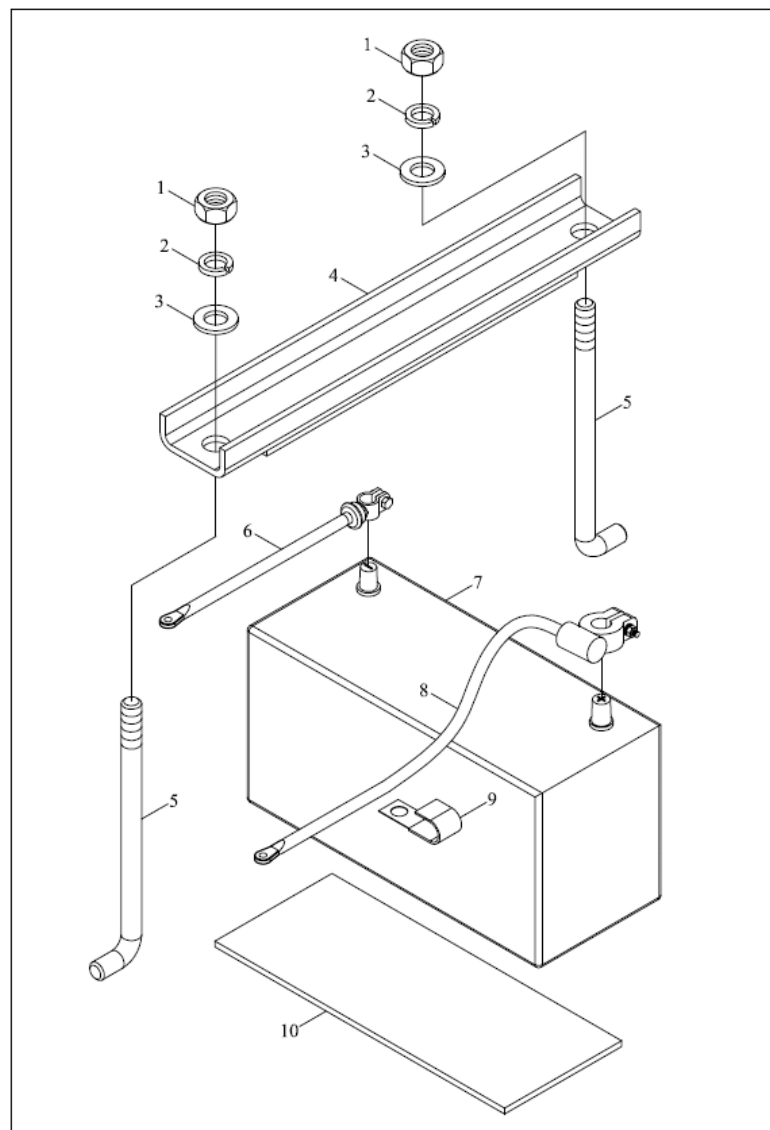
TB500.484M 后灯线束安装总成



TB500.484M 48.4-后灯线束安装总成 48.4-REAR LAMP HARNESS INSTALLATION ASSEMBLY

标号 No.	代号 Code	名称 Description		数量 Quantity	备注 Remark
1	TD800.484B.5	反射器总成	REFLECTOR ASSEMBLY	2	2011-11_
10	FT65.48.093	穿线胶圈(一)	RUBBER RING (ONE)	2	2011-11_
11	FT65.48.087	气压报警器	AIR PRESSURE ALARM	1	2011-11_
12	FT300.48.033	制动灯开关	BRAKE LIGHT SWITCH	2	2011-11_
13	FT300.48C.211	制动开关安装板	BRAKE SWITCH INSTALLATION PLATE	1	2011-11_
14	TB450.484E.5	左反射器	LEFT REFLECTOR	1	2011-11_
15	TB450.484E.6	右反射器	RIGHT REFLECTOR	1	2011-11_
16	GBT6170-M5-A2L	1型六角螺母	NUT	9	2011-11_
17	TD900.484.2	后挂车插座	REAR TRAILER SOCKET	1	2012-02_
17	FT65.48.080	后挂车插座	REAR TRAILER SOCKET	1	2011-01_
18	GBT818-M5X35-A1L	十字槽盘头螺钉	SCREW	3	2011-11_
19	TA600.486-01	线束紧固夹	HARNESS TIGHTEN CLIP	2	2011-11_
2	TD800.484B-01	反射器安装板(左)	REFLECTOR ASSEMBLY PLATE (LEFT)	1	2011-11_
3	TD800.484B-02	反射器安装板(右)	REFLECTOR ASSEMBLY PLATE (RIGHT)	1	2011-11_
4	GBT93-5-A0P	标准型弹簧垫圈	WASHER	9	2011-11_
5	GBT97.1-5-A0P	垫圈	WASHER	9	2011-11_
6	TB450.484S.1a	后灯线束总成	REAR LAMP HARNESS ASSEMBLY	1	2012-02_
6	TB450.484S.1	后灯线束总成	REAR LAMP HARNESS ASSEMBLY	1	2011-01_
7	FT300.48.053a	后照灯	REAR LAMP	2	2011-11_
8	FT65.48.094	穿线胶圈(二)	RUBBER RING (2)	2	2011-11_
9	FT300.48.052a	后尾灯	LIGHTS	2	2011-11_

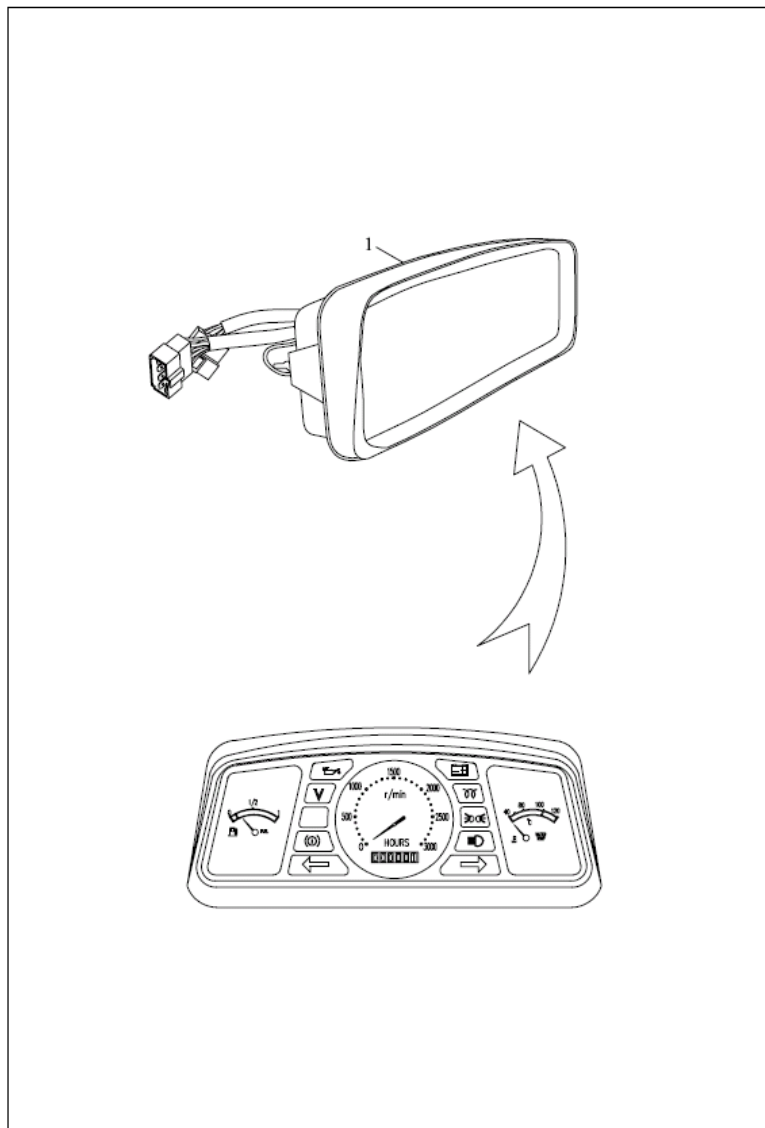
TB450.485A Battery mounting assembly



TB450.485A 48.5-蓄电池安装总成 48.5-BATTERY INSTALLATION ASSEMBLY

标号 No.	代号 Code	名称 Description		数量 Quantity	备注 Remark
1	GBT6170-M8-A2L	螺母	NUT	2	2011-11_
10	TB450.485.1	蓄电池减震垫	BATTERY SHOCK ABSORPTION MAT	2	2010-08_
10	FT450.48.102	蓄电池减震垫	BATTERY SHOCK ABSORPTION MAT	1	2004-01_
2	GBT93-8-A0P	垫圈	WASHER	2	2011-11_
3	GBT97.1-8-A0P	平垫圈	WASHER	2	2011-11_
4	TG1204.485-02	电瓶压板	BATTERY PRESS PLATE	1	2011-11_
5	TG1204.485-01	电瓶U型拉杆	U-TYPE PULL ROD OF BATTERY	2	
6	TB400.485A.2	电瓶搭铁线	BATTERY IRON WIRE	1	2011-11_
7	FT450.48.010	蓄电池	BATTERY	1	2011-11_
8	TB400.485A.1	电源线总成	POWER WIRE ASSEMBLY	1	2011-11_
9	FT65.48.095	线束紧固夹(一)	HARNESS TIGHTEN CLIP (1)	1	2011-11_

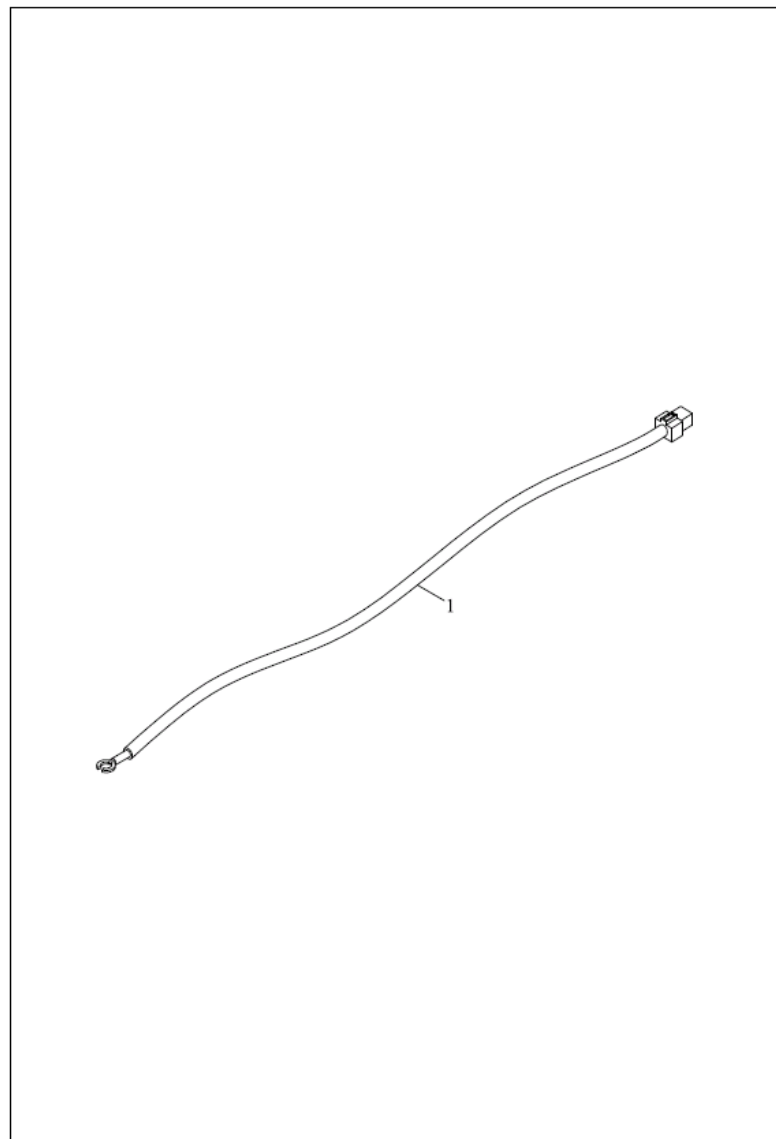
TB400.487 Combination instrument assembly



TB400.487 48.7-组合仪表总成 48.7-COMBINED INSTRUMENT ASSEMBLY

标号 No.	代号 Code	名称 Description	数量 Quantity	备注 Remark
1	FT300.48.061	组合仪表总成	1	2004-01_
1	FT300.48.061a	组合仪表总成	1	2009-05_

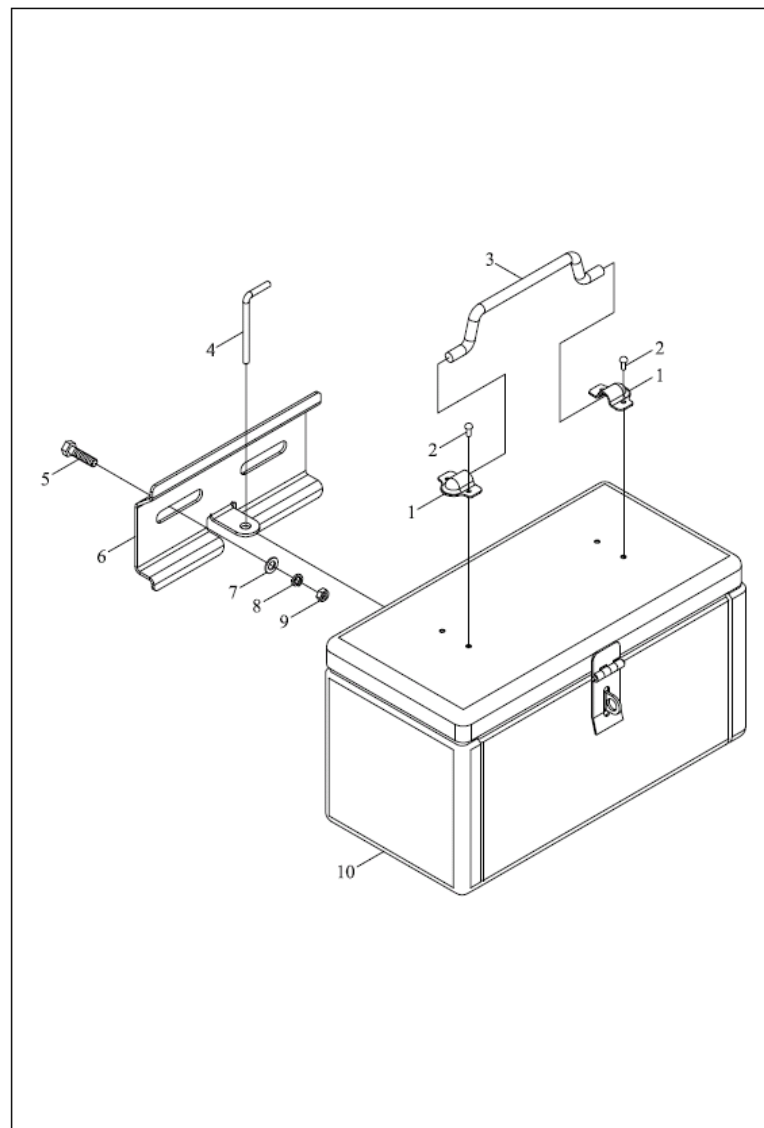
TB450.489 Preheating device assembly



TB450.489 48.9-预热装置总成 48.9-PREHEATING EQUIPMENT ASSEMBLY

标号 No.	代号 Code	名称 Description		数量 Quantity	备注 Remark
1	FT400.48A.027	预热线	PREHEATING LINE	1	2011-11_
1	FT400.48A.027	预热线	PREHEATING LINE	1	2011-11_

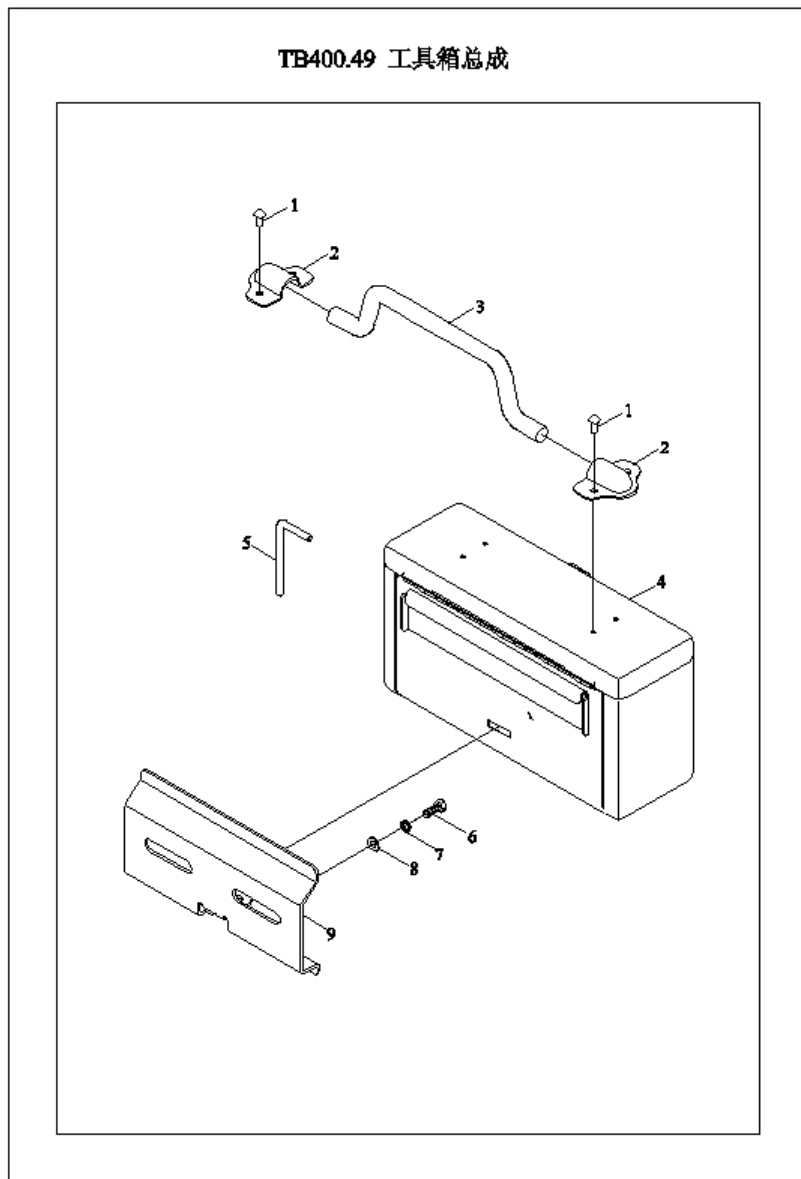
FT300.49.001 Tool box assembly



FT300.49.001 49-工具箱总成 49-TOOL BOX ASSEMBLY

标号 No.	代号 Code	名称 Description		数量 Quantity	备注 Remark
1	GBT5783-M12X25-A3L	六角头螺栓	BOLT	2	2011-11_
1	FT65.49.101	提手座	HANDLE SEAT	2	2003-11_
10	FT300.49.012	工具箱焊合总成	TOOL BOX WELDMENT ASSEMBLY	1	2003-11_
2	GBT 867-4X8	半圆头铆钉	RIVET	2	2003-11_
3	FT65.49.115	提手	HANDLE	1	2003-11_
4	FT65.49.102	插销	CROSS PIN	1	2003-11_
5	GBT5783-M12X35-A3L	螺栓	BOLT	2	2003-11_
5	GBT5783-M12X35-A3L	螺栓	BOLT	2	2003-11_
6	FT65.49.103	固定支板	FIXING SUPPORT PLATE	1	2003-11_
7	GBT97.1-12-A0P	平垫圈	WASHER	2	2003-11_
8	GBT93-12-A0P	弹簧垫圈	SPRING WASHER	2	2003-11_
9	GBT6170-M12-A3L	螺母	NUT	2	2003-11_

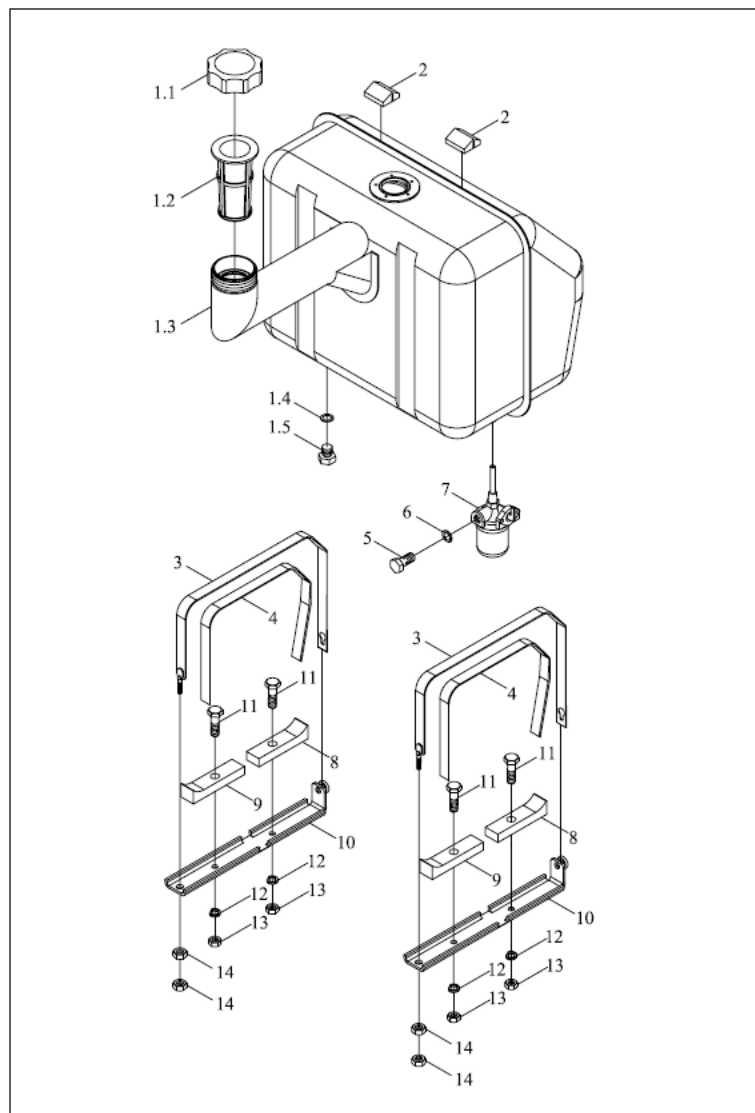
TB400.49 工具箱总成



TB400.49 49-工具箱总成 49-TOOL BOX ASSEMBLY

标号 No.	代号 Code	名称 Description		数量 Quantity	备注 Remark
1	GBT867-4X8	铆钉	RIVET	4	2013-02_
2	FT65.49.101	提手座	HANDLE SEAT	2	2013-02_
3	FT65.49.115	提手	HANDLE	1	2013-02_
4	FT300.49.012	工具箱焊合总成	TOOL BOX WELDMENT ASSEMBLY	1	2013-02_
5	FT65.49.102	插销	CROSS PIN	1	2013-02_
6	GBT5783-M12X25-8.8-A3L	六角头螺栓	BOLT	2	2013-02_
7	GBT93-12-A0P	弹簧垫圈	SPRING WASHER	2	2013-02_
8	GBT97.1-12-A0P	平垫圈	WASHER	2	2013-02_
9	FT65.49.103	固定支板	FIXING SUPPORT PLATE	1	2013-02_
	TB400.49-01	过渡安装板	transition plate	1	2011-12_

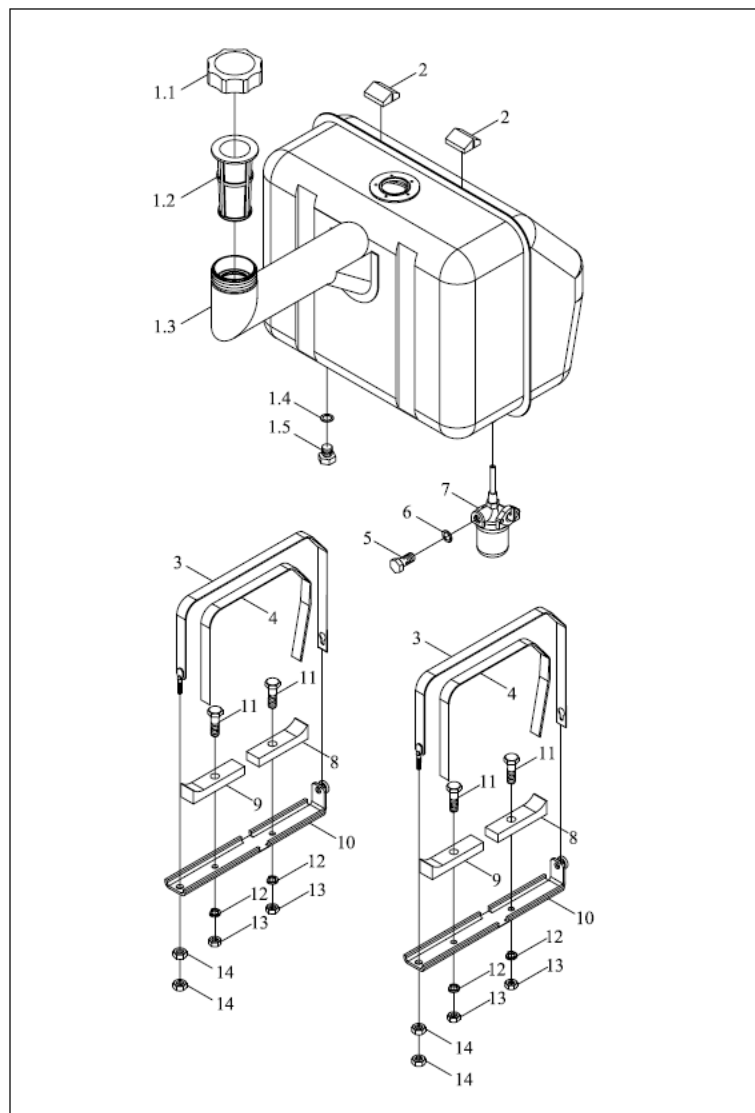
TB550.50F 燃油箱装配总成



TB550.50F 50-燃油箱装配总成 50-FUEL TANK INSTAllation assembly

标号 No.	代号 Code	名称 Description		数量 Quantity	备注 Remark
1	TB550.50E.1	油箱总成	OIL TANK ASSEMBLY	1	2011-11_
1.1	TD800.501A.1.1	油箱盖	OIL TANK COVER	1	2011-11_
1.2	FT300.50.015	滤网总成	FILTER MESH ASSEMBLY	1	2011-11_
1.3	TB550.50E.1.1	油箱焊合	FUEL TANK WELDMENT	1	2011-11_
1.3	TB550.50E.1.1	油箱焊合	FUEL TANK WELDMENT	1	2011-11_
1.4	JBT982-16	组合密封垫圈	COMBINED SEAL GASKET	1	2011-11_
1.5	FT65.50.226	放油螺塞	OIL DISCHARGING SCREW PLUG	1	2011-11_
10	TB400.50X.1	油箱支架焊合	OIL TANK BRACKET WELDMENT	1	2004-01_
10	TB550.50F.1	油箱支架焊合	OIL TANK BRACKET WELDMENT	1	2011-01_
11	GBT5783-M8X20-A2L	螺栓	BOLT	4	2011-11_
12	GBT93-8-A0P	垫圈	WASHER	4	2011-11_
13	GBT6170-M8-A2L	螺母	NUT	4	2011-11_
14	GBT6170-M10-A3L	螺母	NUT	4	2011-11_
2	FT300.50.112	橡胶垫块	RUBBER PAD BLOCK	2	2011-11_
3	TB400.50X.2	油箱扎带焊合	OIL TANK BAND WELDMENT	2	2012-07_
3	TB550.50Q.3	油箱扎带焊合	OIL TANK BAND WELDMENT	2	2004-01_
4	FT404.50.114	主油箱扎带橡胶垫	MAIN OIL TANK BELT RUBBER WASHER	2	2011-11_
5	FT65.50.106	空心螺栓	HOLLOW BOLT	1	2011-11_
6	JBT982-14	组合密封垫圈	COMBINED SEAL GASKET	1	2011-11_
6	JBT982-14	组合密封垫圈	COMBINED SEAL GASKET	1	2011-11_
7	FT65.50.033	沉淀杯总成	SEDIMENT CUP ASSEMBLY	1	2011-11_
7	FT65.50.033	沉淀杯总成	SEDIMENT CUP ASSEMBLY	1	2011-11_
8	FT300.50.111	后橡胶垫	REAR RUBBER CUSHION	2	2004-01_
8	TB550.50F-02	后橡胶垫	REAR RUBBER CUSHION	2	2010-07_
9	FT300.50.110	前橡胶垫	FRONT RUBBER WASHER	2	2004-01_

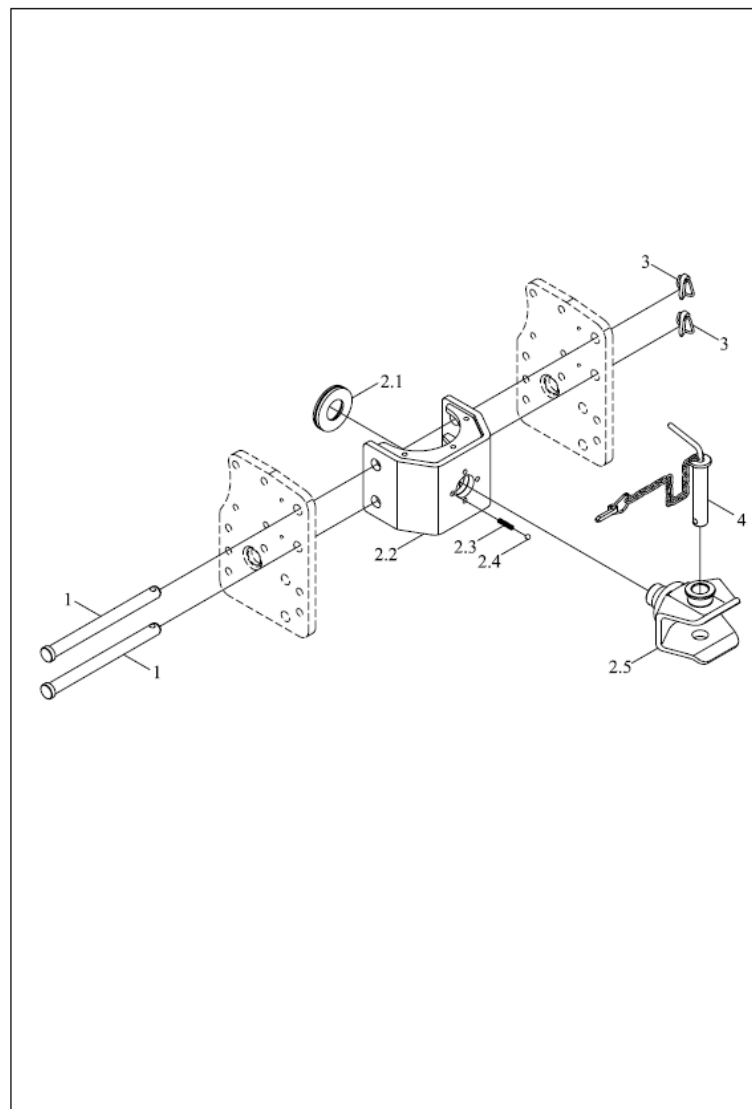
TB550.50F 燃油箱装配总成



TB550.50F 50-燃油箱装配总成(续)

标号 No.	代号 Code	名称 Description		数量 Quantity	备注 Remark
9	TB550.50F-01	前橡胶垫	FRONT RUBBER WASHER	2	2010-07_

TB400.53B 拖挂装置总成



TB400.53B 53-拖挂装置总成 53-TOW EQUIPMENT ASSEMBLY

标号 No.	代号 Code	名称 Description		数量 Quantity	备注 Remark
0	TB400.53B-01	拖挂认证标牌	DRAG HANG THE AUTHENTICATION THE SIGN	1	2010-08_
1	FT300.53.101a	连接销	CONNECTING PIN	2	2011-11_
2	TB400.53B.1	拖挂装置总成焊合	TOW MECHANISM ASSEMBLY WELDMENT	1	2011-11_
2.1	LA754.53A.2.1-03	挡板	RETAINER PLATE	1	2011-11_
2.2	TB400.53B.1.1	拖挂架焊合	TOWING FRAME WELDMENT	1	2011-11_
2.3	LA754.53A.2.1-04	压缩弹簧	COMPRESSION SPRING	4	2011-11_
2.4	GBT308-10-G100-b	钢球	BALL	4	2011-11_
2.5	TA700.53C.1.1-01	U形挂钩	U-HOOK	1	2011-11_
3	FT300.56.029	锁销链总成	LOCKING PIN CHAIN ASSEMBLY	2	2011-11_
4	TA700.53C.1.3	拖挂销及锁销总成	TOWING PIN AND LOCKING PIN ASSEMBLY	1	2011-11_



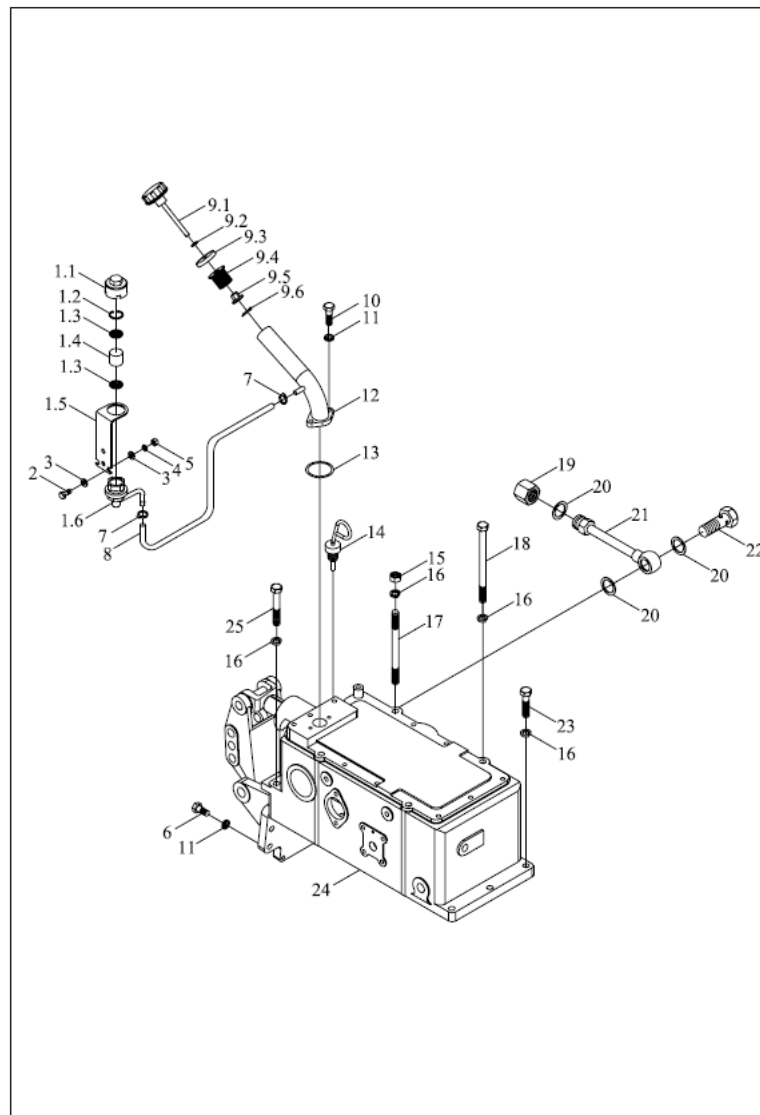
FOTON

福田重工

TB504.551A 55.1-提升器装配总成 55.1-LIFTER INSTALLATION ASSEMBLY

标号 No.	代号 Code	名称 Description	数量 Quantity	备注 Remark
0	TB504.551A-1	55.1-提升器装配总成-1	0	2011-11_
0	TB504.551A-4	55.4-提升器装配总成-4	0	2011-11_
0	TB504.551A-5	55.5-提升器装配总成-5	0	2011-11_
0	TB504.551A-6	55.6-提升器装配总成-6	0	2011-11_
0	TB504.551A-7	55.7-提升器装配总成-7	0	2011-11_
0	FT500B.55.013E	分配器与支座总成	1	2010-04_
0	TB504.551A-3	55.3-提升器装配总成-3	0	2011-11_
0	Ta700.55A.7-01a	加油螺盖	1	2014-10_
0	TB504.551A-2	55.2-提升器装配总成-2	0	2011-11_
1	TB504.551.1.1.4	力调节偏心轮焊接总成	1	2011-11_
1	FT300.55B.026a	加油管焊合	1	2014-10_
2	GBT5783-M10×20-A2L	螺栓	2	2011-11_
2	JBT982-33	组合密封垫圈	1	2014-10_
24	FT500A.55.010	提升器及操纵总成	1	2010-04_
24	FT500A.55.010	提升器及操纵总成	1	2010-04_
24	TB504.551A.1	提升器总成	1	

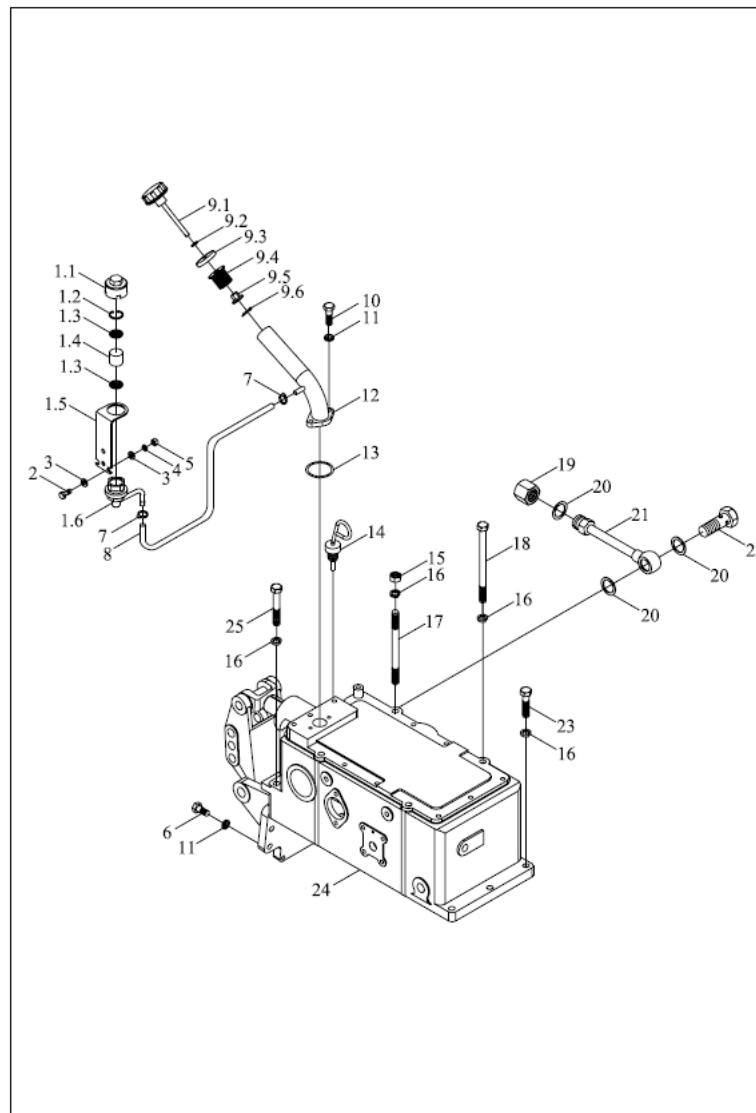
TB504.551A 提升器装配总成-1



TB504.551A-1 55.1-提升器装配总成-1 LIFTER INSTALLATION ASSEMBLY-7-1

标号 No.	代号 Code	名称 Description	数量 Quantity	备注 Remark
0	TB-B02223	TB提升器维修包	1	2014-01_
1	FT300.55B.016c	呼吸器总成	1	2011-11_
1.1	FT700.55D.136	呼吸器盖	1	2011-11_
1.1	FT700.55D.136	呼吸器盖	1	2011-11_
1.2	GBT893.1-26	孔用弹性挡圈	1	2011-11_
1.3	FT650.40.167	座板	2	2011-11_
1.4	FT700.55D.109	呼吸器滤芯	1	2011-11_
1.5	FT300.55B.164	呼吸器支架	1	2011-11_
1.6	FT300.55B.027A	呼吸器连接管焊合	1	2011-11_
10	GBT5783-M8X25-A3L	螺栓	2	2011-11_
11	GBT93-8-AOP	垫圈	6	2011-11_
12	FT300.55B.026	加油管焊合	1	2011-11_
13	GBT3452.1-32.5X1.80G	液压气动用O形橡胶密封圈	1	2011-11_
14	FT300.55B.022a	油尺组合件	1	2011-11_
15	GBT6170-M12-A3L	螺母	2	2011-11_
16	GBT93-12-AOP	垫圈	9	2011-11_
17	TB300.55-01	双头螺柱	2	2010-05_
18	FT500A.55.104	螺栓	2	2010-05_
19	FT300.55B.121a	输油管螺母	1	2011-11_
2	GBT5783-M10X20-8.8-A3L	六角头螺栓	2	2010-04_
2	GBT5783-M10X20-8.8-A3L	六角头螺栓	2	2010-04_
20	JBT982-22	组合密封垫圈	3	2011-11_
21	FT300.55B.024	放油管焊接总成	1	2011-11_
22	FT300.58.101	铰接螺栓	1	2011-11_
23	GBT5783-M12X40-A3L	螺栓	3	2011-11_

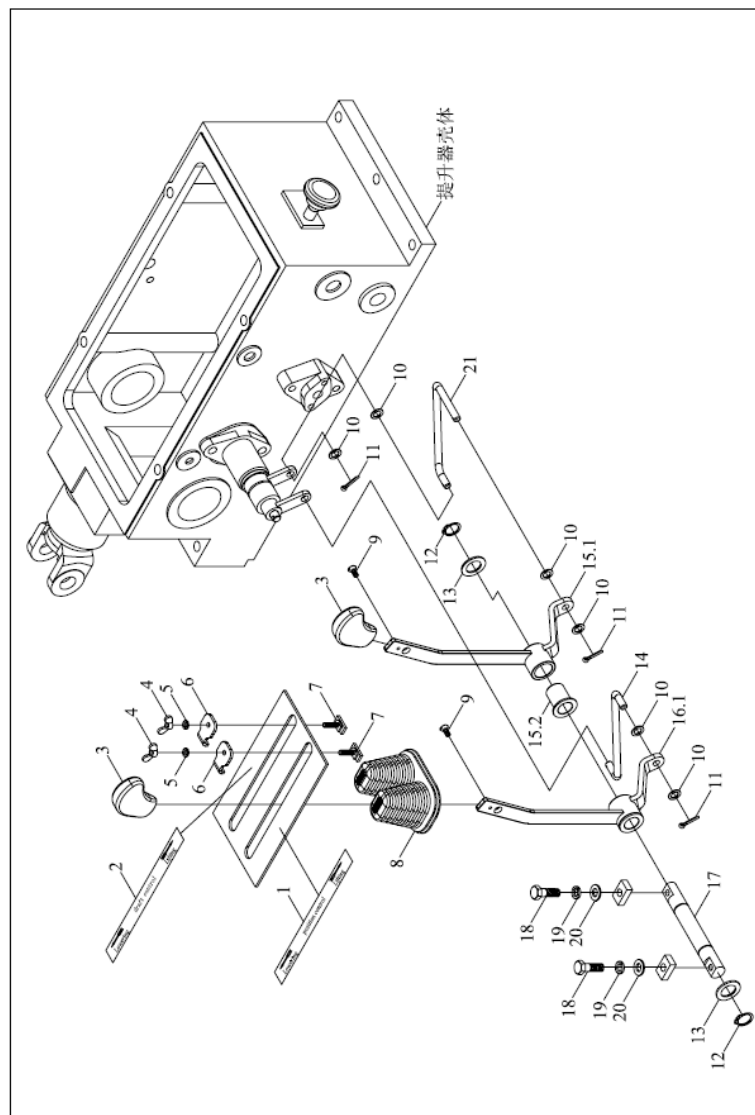
TB504.551A 提升器装配总成-1



TB504.551A-1 55.1-提升器装配总成-1(续)

标号 No.	代号 Code	名称 Description		数量 Quantity	备注 Remark
24	TB504.551A.1a	提升器总成	LIFTER ASSEMBLY	1	2010-04_
25	GBT5783-M12X100-A3L	六角头螺栓	BOLT	2	2011-11_
3	GBT97.1-10-AOP	垫圈	WASHER	4	2011-11_
4	GBT93-10	垫圈10	WASHER 10	2	2011-11_
5	GBT6170-M10-A2L	螺母	NUT	2	2011-11_
6	GBT5783-M8X35-A3L	六角头螺栓	BOLT	4	2011-11_
7	Q67512	软管环箍	HOSE RING HOOP	2	2011-11_
8	FT300.55B.169	呼吸器连接胶管2	BREATHER CONNECTING RUBBER HOSE 2	1	2011-11_
9	TA700.55A.7	螺塞总成	PLUG,THREADED	1	2013-05_
9	FT300.55B.029	油管塞总成	OIL PIPE PLUG ASSEMBLY	1	2011-11_
9.1	FT700.55D.029	手轮总成 I	HANDLE WHEEL ASSEMBLY I	1	2011-11_
9.2	JBT982-8	组合垫圈	COMBINED GASKET	1	2011-11_
9.3	FT700.55D.129	盖板	COVER PLATE	1	2011-11_
9.4	FT300.55B.165	张紧胶套	TENSION RUBBER SLEEVE	1	2011-11_
9.5	FT300.55B.166	调节螺母	ADJUSTING NUT	1	2011-11_

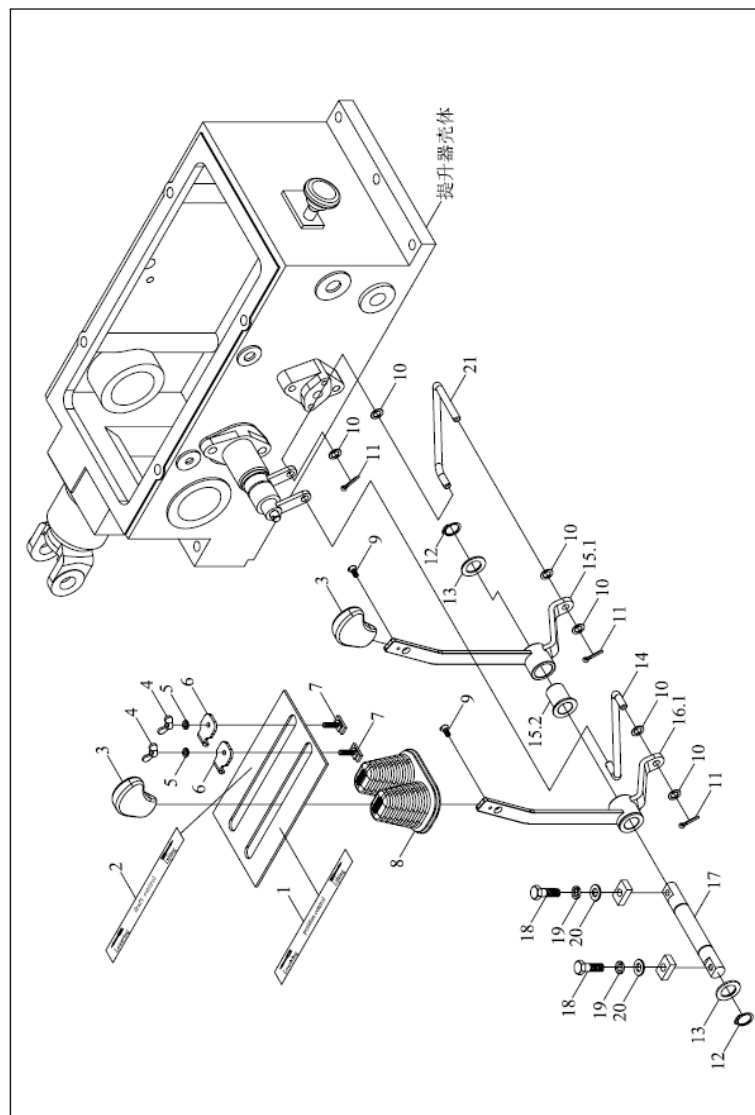
TB504.552C 提升器操纵机构总成



TB504.552C 55.2-提升器操纵机构总成 55.2-LIFTER CONTROL MECHANISM ASSEMBLY

标号 No.	代号 Code	名称 Description		数量 Quantity	备注 Remark
1	TB504.552A-05	位调节标识	POSITION ADJUSTING SIGN	1	2011-11_
10	GBT95-8-A0P	平垫圈	WASHER	4	2011-11_
11	GBT91-2X16-A0P	开口销	PIN	4	2011-11_
12	GBT894.1-18	挡圈	RETAINER RING	2	2011-11_
13	TB504.552A-03	尼龙垫圈	NYLON WASHER	1	2011-11_
14	TB504.552A.3	连杆焊合	CONNECTING ROD WELDMENT	1	2004-01_
14	TB504.552A.3a	连杆焊合	CONNECTING ROD WELDMENT	1	2010-04_
15	TB504.552A.2	提升器左操纵压合	LIFTER LEFT CONTROL PRESSURE UNIT	1	2004-01_
15	TB504.552A.2b	提升器左操纵压合	LIFTER LEFT CONTROL PRESSURE UNIT	1	2011-09_
15	TB504.552A.2a	提升器左操纵压合	LIFTER LEFT CONTROL PRESSURE UNIT	1	2010-04_
15.1	TB504.552A.2b.1	提升器左操纵焊合	LIFTER LEFT CONTROL WELDMENT	1	2011-09_
15.2	TB504.552A.1-01	尼龙隔套	NYLON SPACER BUSH	1	2011-11_
16	TB504.552A.1a	提升器右操纵压合	LIFTER RIGHT CONTROL PRESSURE UNIT	1	2010-04_
16	TB504.552A.1	提升器右操纵压合	LIFTER RIGHT CONTROL PRESSURE UNIT	1	2004-01_
16	TB504.552A.1b	提升器右操纵压合	LIFTER RIGHT CONTROL PRESSURE UNIT	1	2011-09_
16.1	TB504.552A.1b.1	提升器右操纵焊合	LIFTER RIGHT CONTROL WELDMENT	1	2011-09_
16.2	TB504.552A.1-01	尼龙隔套	NYLON SPACER BUSH	1	2011-11_
17	TB504.552A-01	转轴	ROTATING SHAFT	1	2011-11_
18	GBT5783-M8X35-8.8-A2L	六角头螺栓	BOLT	2	2011-11_
19	GBT93-8-A0P	垫圈	WASHER	2	2011-11_
2	TB504.552A-04	力调节标识	FORCE ADJUSTING SIGN	1	2011-11_
20	GBT97.1-8-A0P	平垫圈	WASHER	2	2011-11_
21	TB504.552C.3	连杆焊合	CONNECTING ROD WELDMENT	1	2004-01_
21	TB504.552C.3a	连杆焊合	CONNECTING ROD WELDMENT	1	2010-04_
3	TB504.552-04	手柄头总成	HANDLE HEAD ASSEMBLY	2	2011-11_

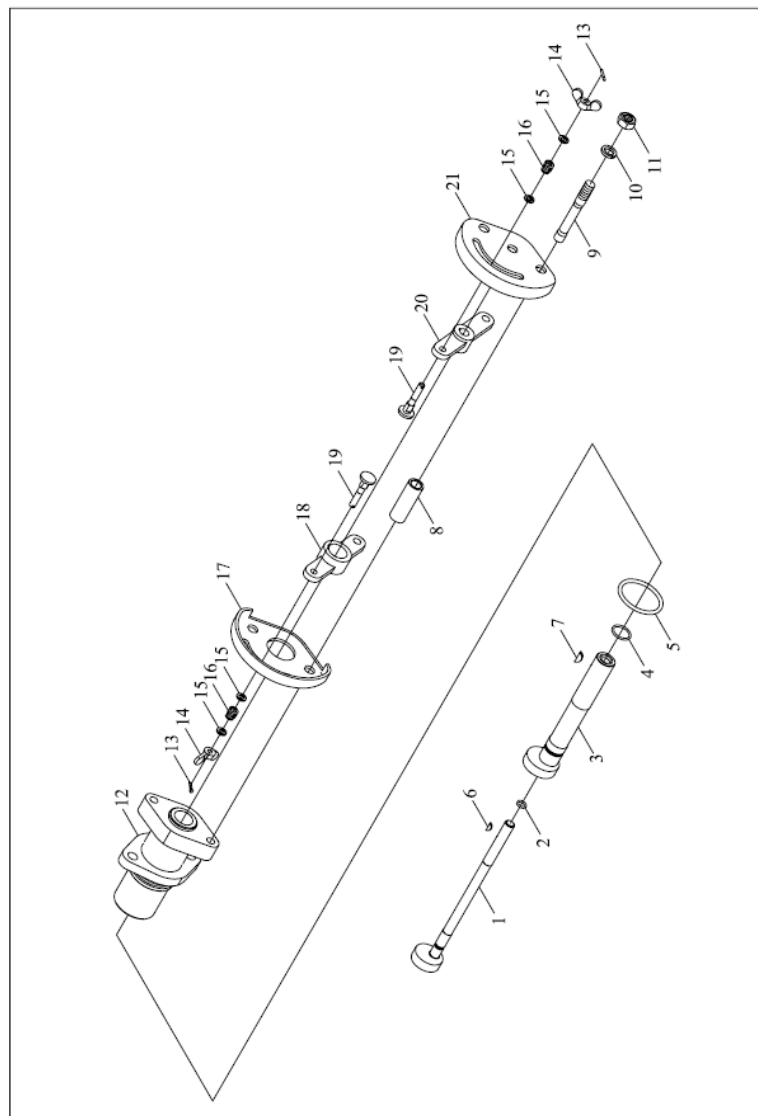
TB504.552C 提升器操纵机构总成



TB504.552C 55.2-提升器操纵机构总成(续)

标号 No.	代号 Code	名称 Description		数量 Quantity	备注 Remark
4	GBT62-M5-A2L	蝶形螺母	BUTTERFLY NUT	2	2011-11_
5	GBT93-5-A0P	标准型弹簧垫圈	WASHER	2	2011-11_
6	TB504.552-03	限位板	LIMIT PLATE	2	2011-11_
7	TB504.552.5	限位螺栓焊合	LIMITING BOLT WELDMENT	2	2011-11_
8	TB504.552A-02	防尘套	DUST COVER	1	2009-12_
8	TB504.552A-02a	防尘套	DUST COVER	1	2011-09_
9	GBT68-M4X10-A2L	开槽沉头螺钉	SCREW	2	2011-11_

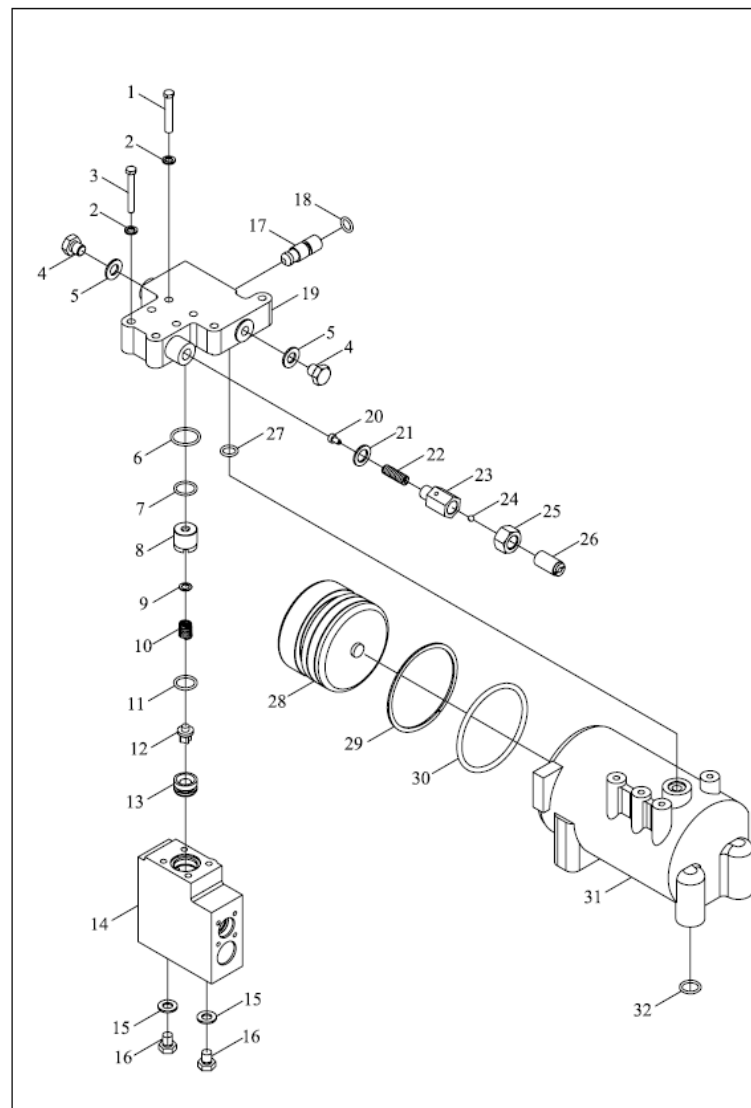
TB504.551A 提升器装配总成-2



TB504.551A-2 55.2-提升器装配总成-2 LIFTER INSTALLATION ASSEMBLY-7-2

标号 No.	代号 Code	名称 Description		数量 Quantity	备注 Remark
0	TB504.551A.1a	提升器总成	LIFTER ASSEMBLY	1	2011-11_
0.1	TB504.551B.1.1	分配器操纵机构总成	DISTRIBUTOR CONTROL MECHANISM ASSEMBLY	1	2011-11_
0.3	TB504.551A.1.1	分配器操纵机构总成	DISTRIBUTOR CONTROL MECHANISM ASSEMBLY	1	2010-04_
1	TB504.551.1.1.4	力调节偏心轮焊接总成	FORCE ADJUSTING ECCENTRIC WHEEL	1	2011-11_
10	GBT93-10-A0P	标准型弹簧垫圈	WELDMENT ASSEMBLY WASHER	2	
11	GBT6170-M10-A3L	1型六角螺母		2	
12	TB504.551.1.1-01	支座	NUT	1	2011-11_
13	GBT91-2×12	销 2×12	RETAINER	2	
14	GBT62-M6-A2L	蝶形螺母	PIN	2	
15	GBT96-6-A0P	垫圈6-A0P	BUTTERFLY NUT WASHER	4	
16	25.55.131	手柄压紧弹簧		2	2011-11_
17	TB504.551B.1.1-02	位调节扇形板	HANDLE PRESSING SPRING	1	2011-11_
18	TB504.551.1.1.1	位调节摇臂焊合	POSITION ADJUSTING SECTOR PLATE	1	2011-11_
19	FT65.57.103	手柄压紧螺钉	POSITION ADJUSTING ROCKER WELDMENT	2	2011-11_
2	GBT3452.1-6.9X1.80G	液压气动用O形橡胶密封圈	HANDLE PRESSING SCREW O-SEAL RING	1	
20	TB504.551.1.1.2	力调节摇臂焊合		1	2011-11_
21	TB504.551B.1.1-01	力调节扇形板	FORCE ADJUSTING ROCKER WELDMENT	1	2011-11_
3	TB504.551.1.1.3	位调节偏心轮焊接总成	FORCE ADJUSTING SECTOR PLATE	1	2011-11_
4	GBT3452.1-17.0X1.80G	液压气动用O形橡胶密封圈	POSITION ADJUSTING ECCENTRIC WHEEL	1	
5	GBT3452.1-41.2X3.55G	液压气动用O形橡胶密封圈	WELDMENT ASSEMBLY O-SEAL RING	1	
6	GBT1099.1-2.5X3.7X10	半圆键	O-SEAL RING	1	
7	GBT1099.1-3X5X13	半圆键		1	
8	TB504.551.1.1-04	隔套	SEMICIRCLE KEY	2	2011-11_
9	GBT898-M10X65-A2L	双头螺柱	SEMICIRCLE KEY	2	
9	GBT898-M10X65-A2L	双头螺柱	SPACER BUSH	2	

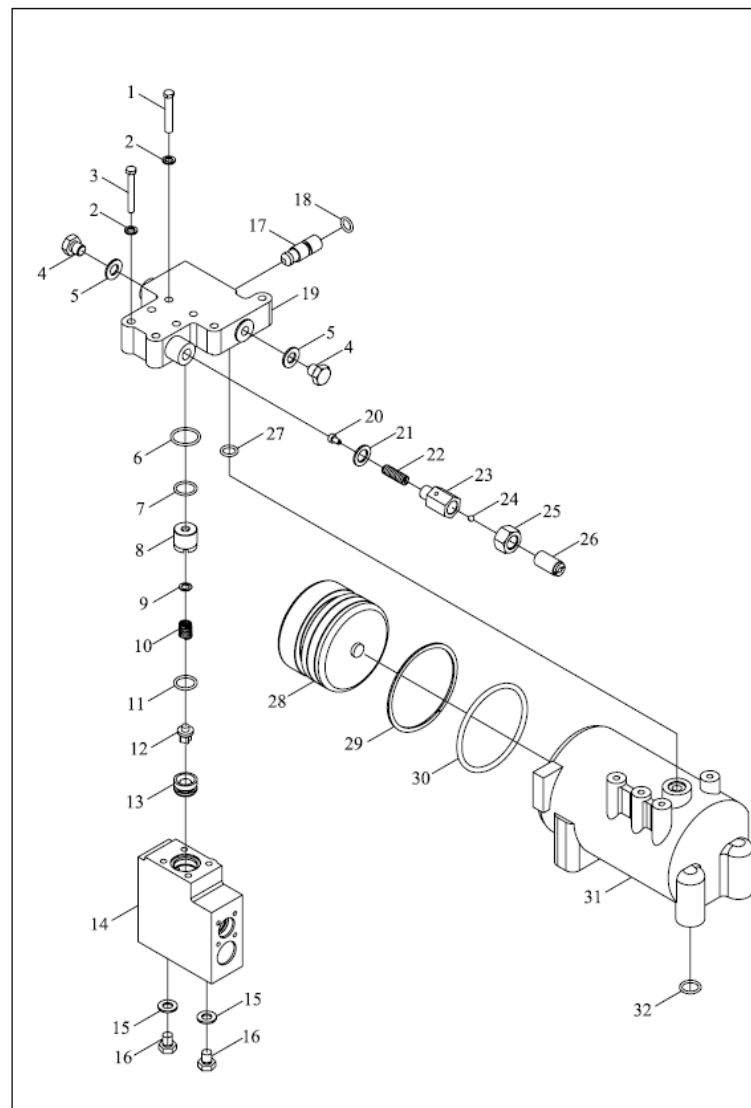
TB504.551A 提升器装配总成-3



TB504.551A-3 55.3-提升器装配总成-3 LIFTER INSTALLATION ASSEMBLY-7-3

标号 No.	代号 Code	名称 Description		数量 Quantity	备注 Remark
.2	TB504.551A.1a	提升器总成	LIFTER ASSEMBLY	1	2011-11_
1	GBT5782-M8X45	六角头螺栓	BOLT	4	2011-11_
10	T30.57.144B	单向阀弹簧	ONE-WAY VALVE SPRING	1	2011-11_
11	GBT3452.1-19X2.65	液压气动用O形橡胶密封圈	O-SEAL RING	1	2011-11_
12	T30.57.142B	单向阀体	ONE-WAY VALVE BODY	1	2011-11_
13	T30.57.143B	单向阀座	ONE-WAY VALVE SEAT	1	2011-11_
14	KM550.55.120E	分配器壳体	DISTRIBUTOR HOUSING	1	2011-11_
15	JBT982-10	组合密封垫圈	COMBINED SEAL GASKET	2	2011-11_
15	JBT982-10	组合密封垫圈	COMBINED SEAL GASKET	2	2011-11_
16	JBT1000-M10X1	六角螺塞	HEXAGON SCREW PLUG	2	2011-11_
17	FT500B.55.246	截断阀	INTERCEPTING VALVE	1	2011-11_
18	GBT3452.1-11.8X2.65	液压气动用O形橡胶密封圈	O-SEAL RING	1	2011-11_
18	GBT3452.1-11.8X2.65	液压气动用O形橡胶密封圈	O-SEAL RING	1	2011-11_
19	FT500B.55.107	分配器支座	DISTRIBUTOR SUPPORT SEAT	1	2011-11_
2	GBT93-8	垫圈8	WASHER 8	8	2011-11_
20	TS300B.55.211	安全阀弹簧座	SPRING SEAT OF SAFETY VALVE	1	2011-11_
21	TS300B.55.210	铝垫片	ALUMINUM GASKET	1	2011-11_
22	12.55.218	安全阀弹簧	SAFETY VALVE SPRING	1	2011-11_
23	TS300B.55.209	安全阀体	SAFETY VALVE BODY	1	2011-11_
24	GBT308-φ6 II	钢球	BALL	1	2011-11_
25	GBT6173-M16X1.5	六角薄螺母	NUT	1	2011-11_
26	TS300B.55.251	调压螺柱	SCREW	1	2011-11_
27	GBT3452.1-13.2X2.65	液压气动用O形橡胶密封圈	O-SEAL RING	1	2011-11_
28	KM550.55.023	活塞总成	PISTON	1	2011-11_
29	520.55.143	挡圈	RETAINER RING	1	2011-11_

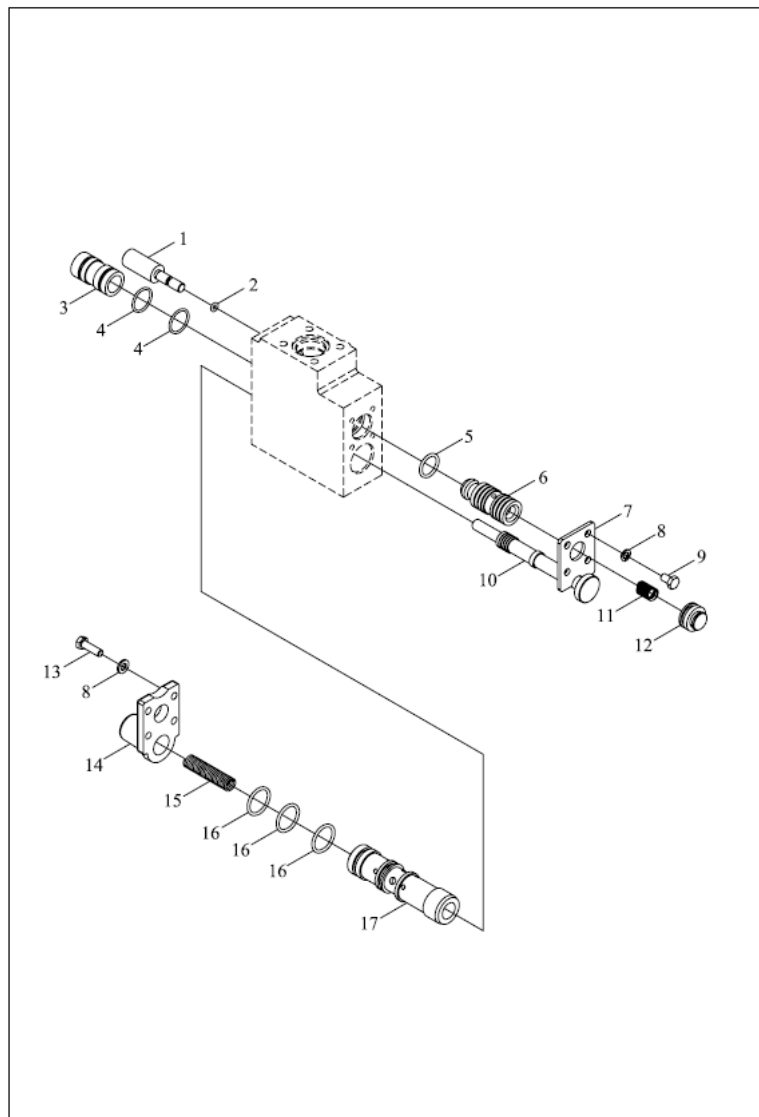
TB504.551A 提升器装配总成-3



TB504.551A-3 55.3-提升器装配总成-3(续)

标号 No.	代号 Code	名称 Description		数量 Quantity	备注 Remark
3	GBT5782-M8X50	六角头螺栓	BOLT	4	2011-11_
30	GBT3452.1-90X5.3	液压气动用O形橡胶密封圈	O-SEAL RING	1	2011-11_
31	FT500B.55.106	油缸体	OIL CYLINDER BODY	1	2011-11_
32	GBT3452.1-17X2.65	液压气动用O形橡胶密封圈	O-SEAL RING	4	2011-11_
4	JBT1000-M12X1.5	六角螺塞	HEXAGON SCREW PLUG	2	2011-11_
5	JBT982-12	组合密封垫圈	COMBINED SEAL GASKET	2	2011-11_
6	GBT3452.1-25.7X2.65	液压气动用O形橡胶密封圈	O-SEAL RING	1	2011-11_
6	GBT3452.1-25.7X2.65	液压气动用O形橡胶密封圈	O-SEAL RING	1	2011-11_
7	GBT1235-24X2.4	O形圈	O-RING	1	2011-11_
8	YT300A.55.124	单向阀套	ONE-WAY VALVE SLEEVE	1	2011-11_
9	T30.57.164	单向阀体垫	ONE-WAY VALVE BODY GASKET	1	2011-11_

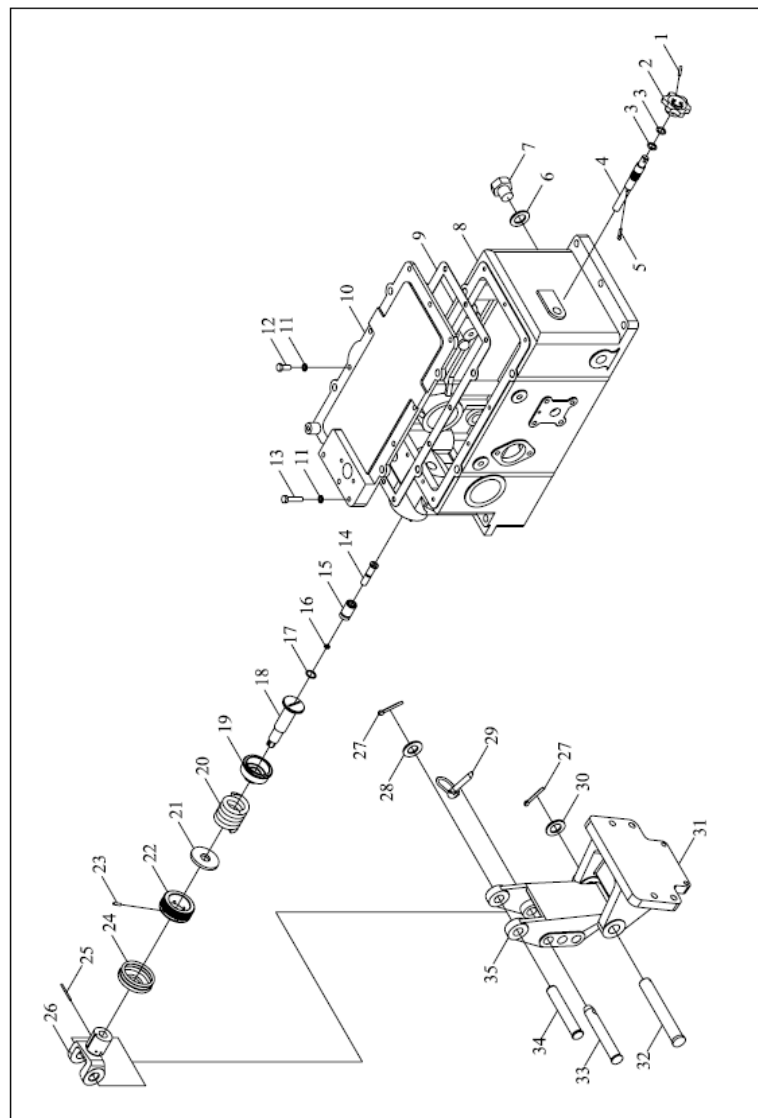
TB504.551A 提升器装配总成-4



TB504.551A-4 55.4-提升器装配总成-4 LIFTER INSTALLATION ASSEMBLY-4

标号 No.	代号 Code	名称 Description		数量 Quantity	备注 Remark
.2	TB504.551A.1a	提升器总成	LIFTER ASSEMBLY	1	2011-11_
1	TS300B.55.187	调节阀	ADJUSTING VALVE	1	2011-11_
10	TS300.55.172	主控制阀	MAIN CONTROL VALVE	1	2011-11_
11	25.55.184	回油阀弹簧	SPRING	1	2011-11_
12	25.55.176	回油阀后堵塞	OIL RETURN VALVE REAR PLUG	1	2011-11_
13	GBT5783-M6X20	螺栓	BOLT	4	2011-11_
14	KR130.55.183	阀门前盖	VALVE FRONT COVER	1	2011-11_
15	25.55.181	主控制阀弹簧	MAIN CONTROL VALVE SPRING	1	2011-11_
16	GBT1235-26X2.4	O形圈	O-RING	3	2011-11_
17	TS300.55.217	主控制阀套	MAIN CONTROL VALVE SLEEVE	1	2011-11_
2	GBT1235-8X1.9	O形圈	O-RING	1	2011-11_
3	KR130.55.105	密封套	SEAL SLEEVE	1	2011-11_
4	GBT3452.1-19X1.8	液压气动用O形橡胶密封圈	O-SEAL RING	2	2011-11_
5	GBT1235-22X2.4	O形圈	O-RING	1	2011-11_
6	KR130.55.103	回油阀体	OIL RETURN VALVE BODY	1	2011-11_
7	25.55.180	限位板	LIMIT PLATE	1	2011-11_
8	GBT93-6	垫圈	WASHER	8	2011-11_
9	GBT5783-M6X10	六角头螺栓	BOLT	4	2011-11_

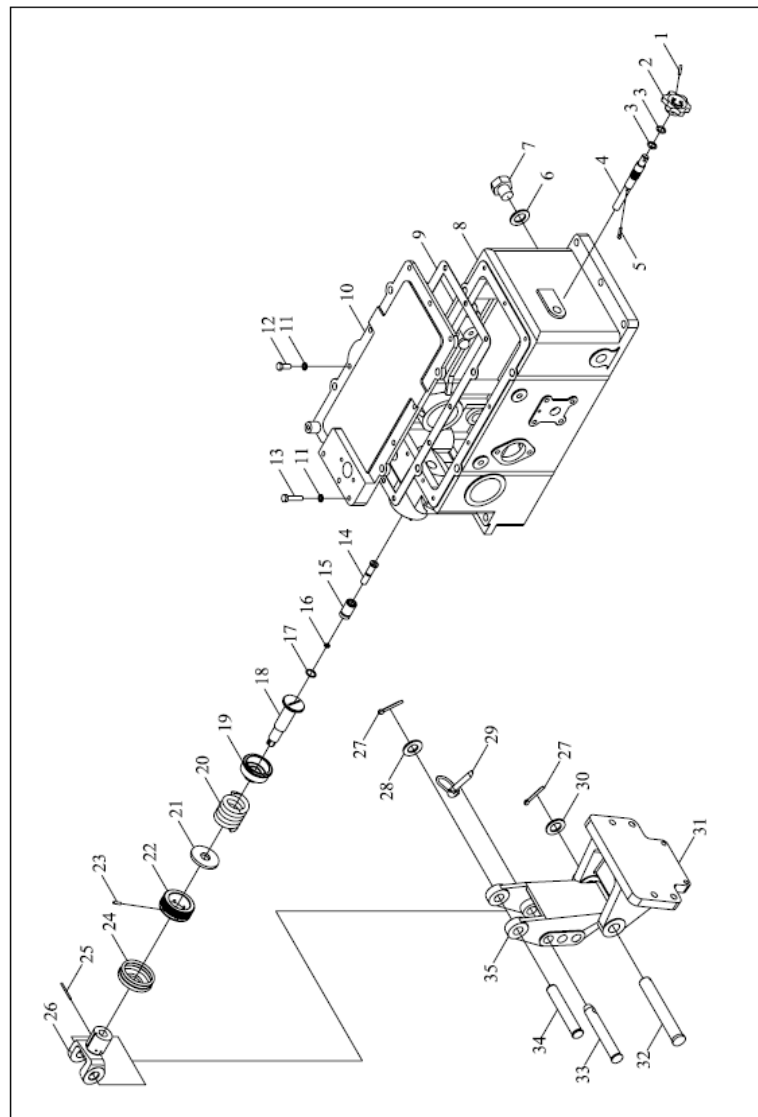
TB504.551A 提升器装配总成-5



TB504.551A-5 55.5-提升器装配总成-5 LIFTER INSTALLATION ASSEMBLY-5

标号 No.	代号 Code	名称 Description		数量 Quantity	备注 Remark
.2	TB504.551A.1a	提升器总成	LIFTER ASSEMBLY	1	2011-11_
1	GBT879-4X20	销	PIN	1	2011-11_
10	FT500A.55.104B	提升器上盖	LIFTER UPPER COVER	1	2011-11_
11	GBT93-8	垫圈8	WASHER 8	11	2011-11_
12	GBT5781-M8X20	六角头螺栓	BOLT	7	2011-11_
13	GBT5781-M8X35	六角头螺栓	BOLT	4	2011-11_
14	25.55.146L	推杆套	PUSH ROD SLEEVE	1	2011-11_
15	25.55.145L	力调节密封套	FORCE ADJUSTING SEAL SLEEVE	1	2011-11_
16	GBT1235-11X1.9	O形圈	O-RING	1	2011-11_
17	GBT3452.1-16X1.8	液压气动用O形橡胶密封圈	O-SEAL RING	1	2011-11_
18	25.55.158	弹簧杆	SPRING ROD	1	2011-11_
19	25.55.159	弹簧座	SPRING SEAT	1	2011-11_
2	E300.55.140A	速度下降阀手轮	SPEED DROP VALVE HAND WHEEL	1	2011-11_
2	E300.55.140A	速度下降阀手轮	SPEED DROP VALVE HAND WHEEL	1	2011-11_
20	25.55.157	力调节弹簧	FORCE ADJUSTING SPRING	1	2011-11_
21	25.55.160	弹簧压板	SPRING PRESSURE PLATE	1	2011-11_
22	25.55.161	螺母	NUT	1	2011-11_
23	GBT119-C4X14	圆柱销	PIN	1	2011-11_
24	25.55.162	防尘罩	DUSTPROOF COVER	1	2011-11_
25	GBT119-B3X40	圆柱销	PIN	1	2011-11_
26	YT300A.55.121	上拉杆连接头	UPPER PULL ROD CONNECTING JOINT	1	2011-11_
27	GBT91-5X36	开口销	PIN	2	2011-11_
28	GBT97.1-22	平垫圈	WASHER	1	2011-11_
29	25.56.030	锁销及锁销环总成	LOCKING PIN AND RING ASSEMBLY	1	2011-11_
3	GBT3452.1-11.2X2.65	液压气动用O形橡胶密封圈	O-SEAL RING	2	2011-11_

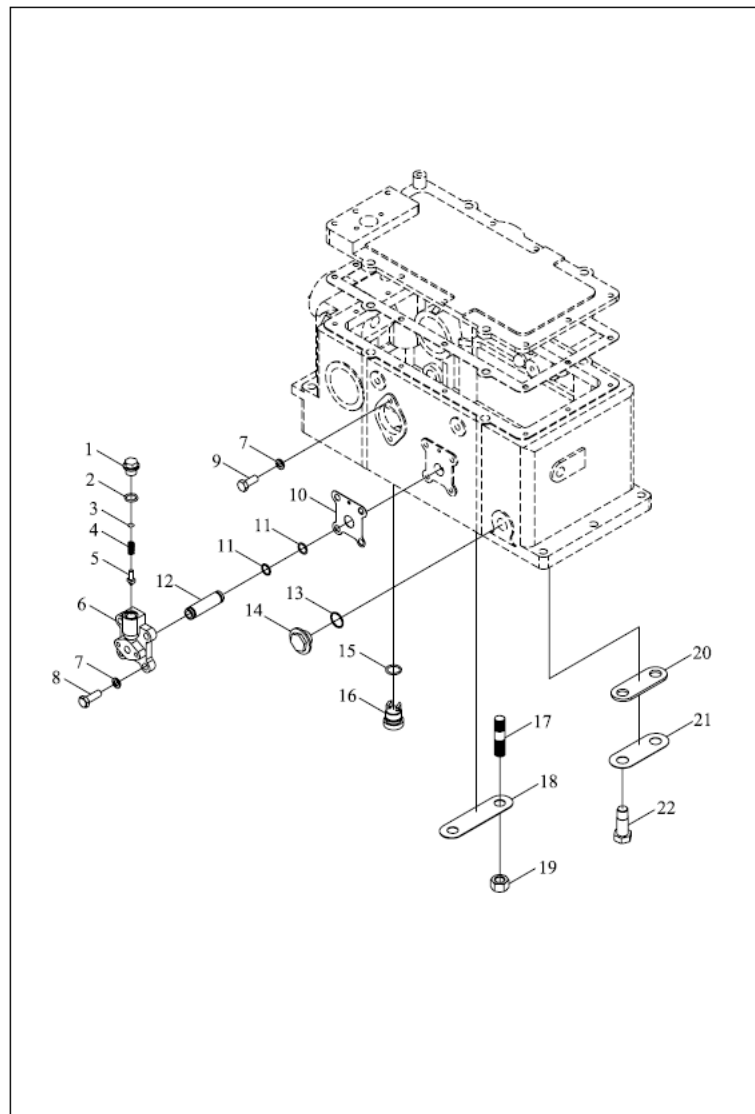
TB504.551A 提升器装配总成-5



TB504.551A-5 55.5-提升器装配总成-5(续)

标号 No.	代号 Code	名称 Description	数量 Quantity	备注 Remark
30	GBT97.1-20	垫圈	1	2011-11_
31	FT500A.55.128	上挂接点摇臂支座	1	2011-11_
32	450.55.167	摇臂连接销	1	2011-11_
33	FT500A.55B.182	摇臂前连接销	1	2011-11_
34	FT500A.55.106	摇臂上连接销	1	2011-11_
35	FT500B.55.130A	上挂接点摇臂	1	2011-11_
4	YT300A.55.116	下降速度调节杆	1	2011-11_
5	GBT91-4X20	开口销	1	2011-11_
6	JBT982-22	组合密封垫圈	1	2011-11_
7	GBT5786-M22X1.5X20	六角头螺栓	1	2011-11_
8	TB504.551A.1-01	提升器壳体	1	2011-11_
9	FT500A.55.103	上盖纸垫	1	2011-11_

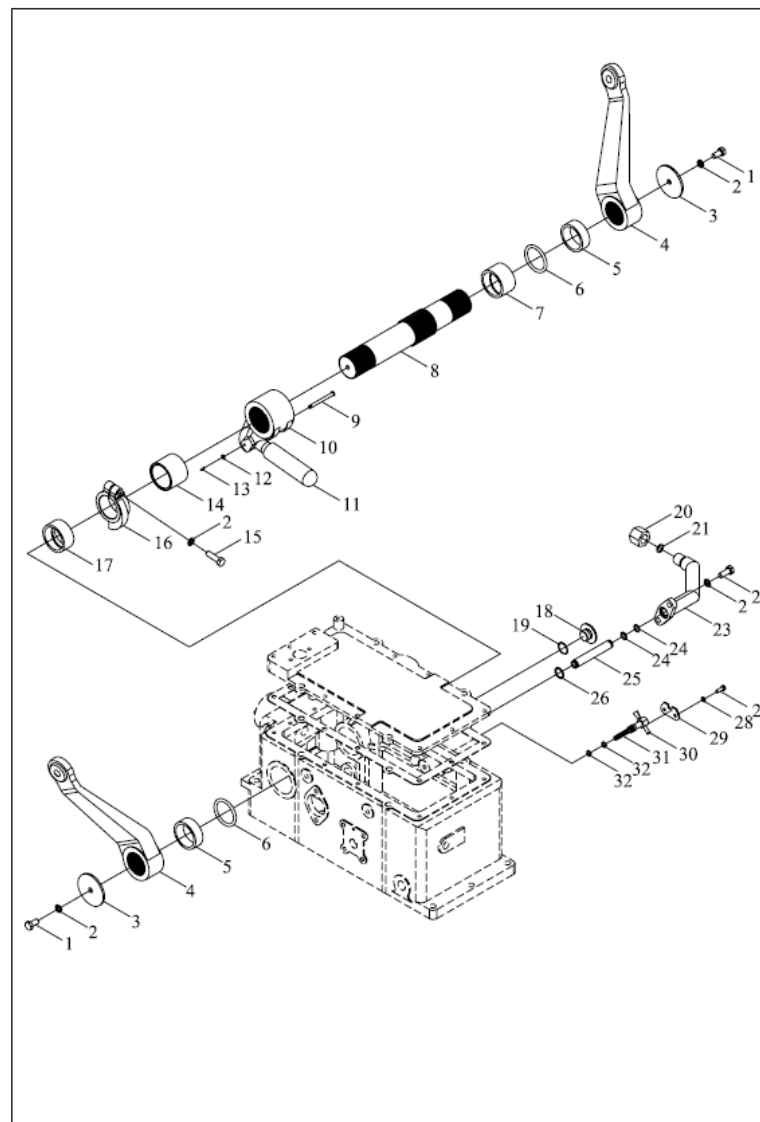
TB504.551A 提升器装配总成-6



TB504.551A-6 55.6-提升器装配总成-6 LIFT ASSEMBLY-6

标号 No.	代号 Code	名称 Description		数量 Quantity	备注 Remark
.2	TB504.551A.1a	提升器总成	LIFTER ASSEMBLY	1	2011-11_
1	300.55.130	堵塞	PLUG	1	2011-11_
10	FT500B.55.102	进油连接板纸垫	OIL INLET CONNECTING PLATE PAPER GASKET	1	2011-11_
11	GBT3452.1-15X1.8	液压气动用O形橡胶密封圈	O-SEAL RING	2	2011-11_
12	FT500B.55.103	进油管	OIL INLET PIPE	1	2011-11_
13	GBT3452.1-22.4X1.8	液压气动用O形橡胶密封圈	O-SEAL RING	1	2011-11_
14	FT500B.55.197	堵塞	PLUG	1	2011-11_
15	GBT1235-24X2.4	O形圈	O-RING	1	2011-11_
16	TS300B.55.110	弹簧挂钩	SPRING HOOK	1	2011-11_
17	GBT898-AM16X40	双头螺柱	8.8-A3L STUD	2	2011-11_
18	FT500B.55.118	锁片	LOCK SHIM	1	2011-11_
19	GBT6170-M16	螺母	NUT	2	2011-11_
2	GBT3452.1-15X2.65	液压气动用O形橡胶密封圈	O-SEAL RING	1	2011-11_
20	FT500B.55.120	垫片	WASHER	1	2011-11_
21	FT500B.55.121	锁片	LOCK SHIM	1	2011-11_
22	FT500B.55.125	油缸螺栓	OIL CYLINDER BOLT	2	2011-11_
3	300.55.131-132	调整垫片	ADJUSTING WASHER	999	2011-11_
4	300.55.133	油缸安全阀弹簧	SAFTY VALVE SPRING OF OIL CYLINDER	1	2011-11_
5	300.55.134	油缸安全阀体	SAFTY VALVE BODY OF CYLINDER	1	2011-11_
6	FT500B.55.108A	进油连接板	OIL INLET CONNECTING PLATE	1	2011-11_
7	GBT93-10	垫圈10	WASHER 10	6	2011-11_
8	GBT5781-M10X30	六角头螺栓	BOLT	4	2011-11_
9	GBT5783-M10X25	螺栓	BOLT	2	2011-11_

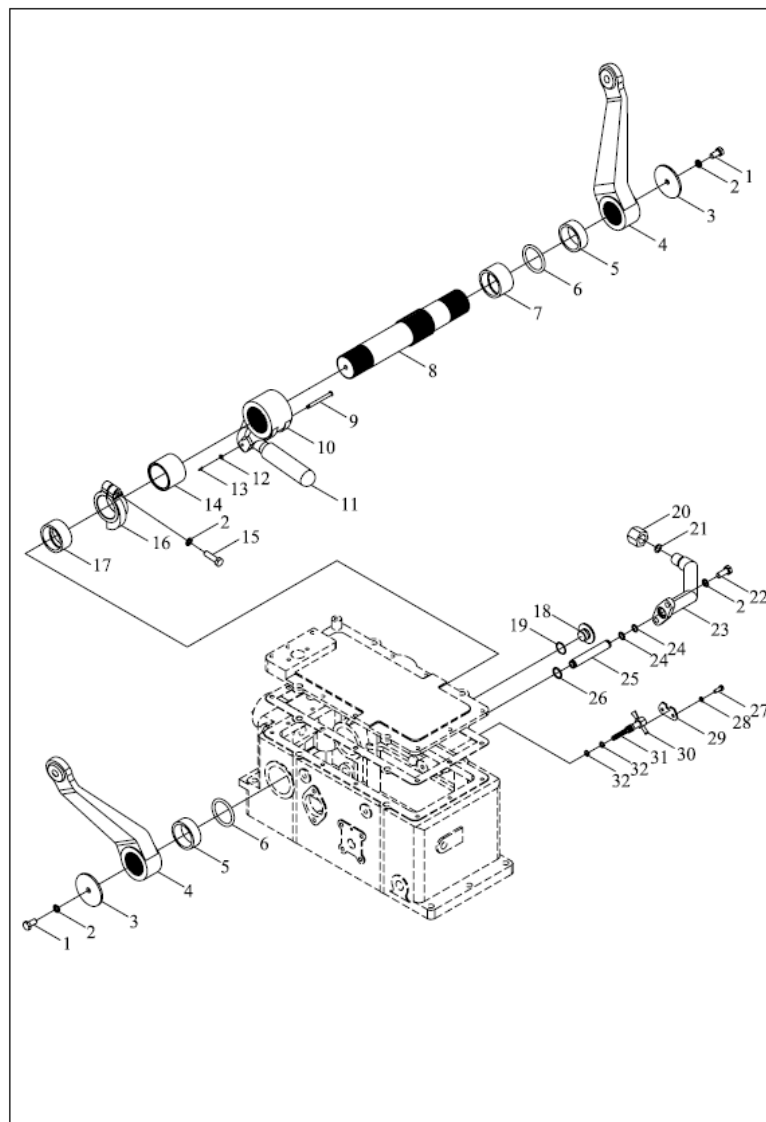
TB504.551A 提升器装配总成-7



TB504.551A-7 55.7-提升器装配总成-7 LIFT ASSEMBLY-7

标号 No.	代号 Code	名称 Description		数量 Quantity	备注 Remark
.2	TB504.551A.1a	提升器总成	LIFTER ASSEMBLY	1	2011-11_
1	GBT5781-M10X20	六角头螺栓	BOLT	2	2011-11_
1	GBT5781-M10X20	六角头螺栓	BOLT	2	2011-11_
10	FT500B.55.113E	内提升臂	INNER LIFTING ARM	1	2011-11_
11	FT500B.55.114D	活塞顶杆	PISTON TOP ROD	1	2011-11_
12	GBT97.1-5	垫圈	WASHER	1	2011-11_
13	GBT91-2X12	开口销	PIN	1	2011-11_
14	KM550.55.105-1	轴套	SHAFT SLEEVE	1	2011-11_
15	GBT5783-M10X35	六角头螺栓	BOLT	1	2011-11_
16	KM550.55.109	凸轮	CAM	1	2011-11_
17	FT500B.55.104B	轴套	SHAFT SLEEVE	1	2011-11_
18	FT500B.55.197	堵塞	PLUG	1	2011-11_
19	GBT3452.1-22.4X1.8	液压气动用O形橡胶密封圈	O-SEAL RING	1	2011-11_
2	GBT93-10	垫圈10	WASHER 10	5	2011-11_
20	FT300.55B.121a	输油管螺母	OIL CONVEYING PIPE NUT	1	2011-11_
21	GBT3452.1-12.5X2.65	液压气动用O形橡胶密封圈	O-SEAL RING	1	2011-11_
22	GBT5783-M10X25	螺栓	BOLT	2	2011-11_
23	FT300.55B.120a	液压输出管接头	HYDRAULIC OUTLET PIPE JOINT	1	2011-11_
24	GBT1235-16X2.4	O形圈	O-RING	2	2011-11_
25	FT500B.55.105	出油管	OIL OUTLET PIPE	1	2011-11_
26	GBT1235-24X2.4	O形圈	O-RING	1	2011-11_
27	GBT5781-M6X16	六角头螺栓	BOLT	2	2011-11_
28	GBT93-6	垫圈	WASHER	2	2011-11_
29	YT300A.55.122	截断阀限位板	INTERCEPTING VALVE LIMIT PLATE	1	2011-11_
3	FT500B.55.127	提升臂压板	LIFTING ARM PRESSURE PLATE	2	2011-11_

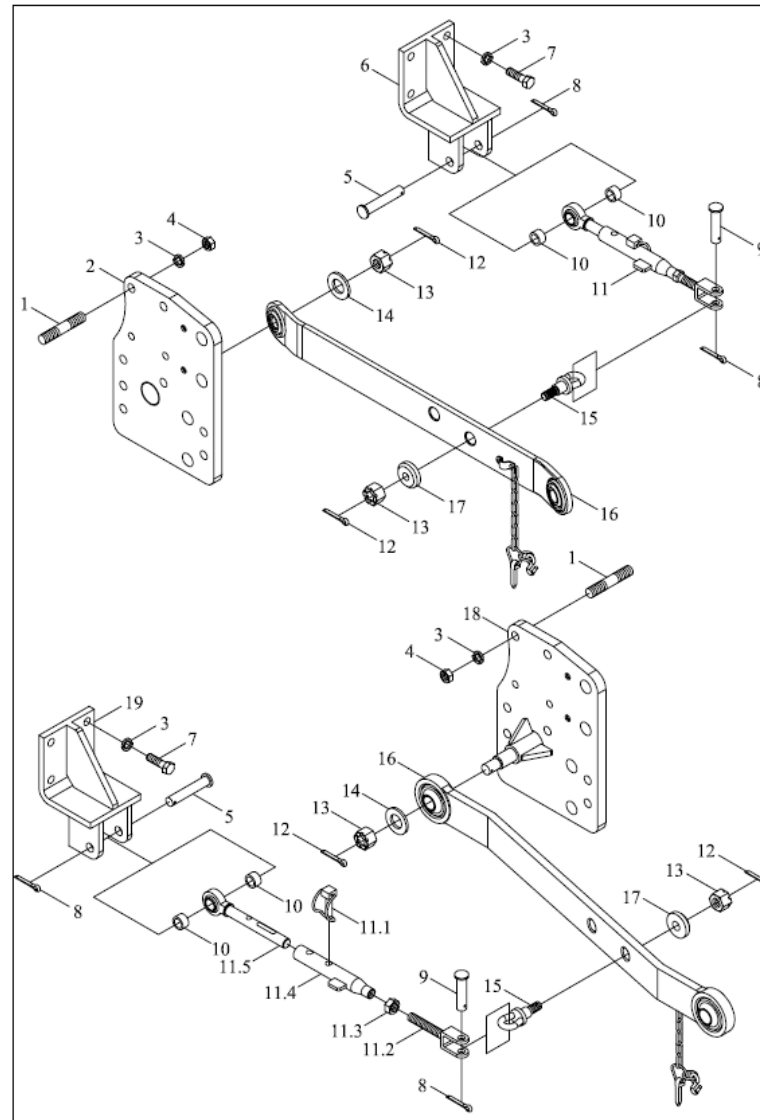
TB504.551A 提升器装配总成-7



TB504.551A-7 55.7-提升器装配总成-7(续)

标号 No.	代号 Code	名称 Description		数量 Quantity	备注 Remark
30	BY350.55.163	调节阀螺杆手柄	ADJUSTING VALVE SOLENOID HANDLE	1	2011-11_
31	FT500B.55.126	截断阀调节杆	INTERCEPTING VALVE ADJUSTING ROD	1	2011-11_
32	GBT1235-13X1.9	O形圈	O-RING	2	2011-11_
4	FT500A.55B.016	提升臂总成	LIFTING ARM ASSEMBLY	2	2011-11_
5	FT500B.55.115A	提升轴套B	LIFTING SHAFT SLEEVE B	2	2011-11_
6	GBT1235-60X5.7	O形圈	O-RING	2	2011-11_
7	FT500B.55.122A	轴套	SHAFT SLEEVE	1	2011-11_
8	FT500A.55.110	提升轴	LIFTING SHAFT	1	2011-11_
9	GBT882-B5X65	销轴	PIN	1	2011-11_

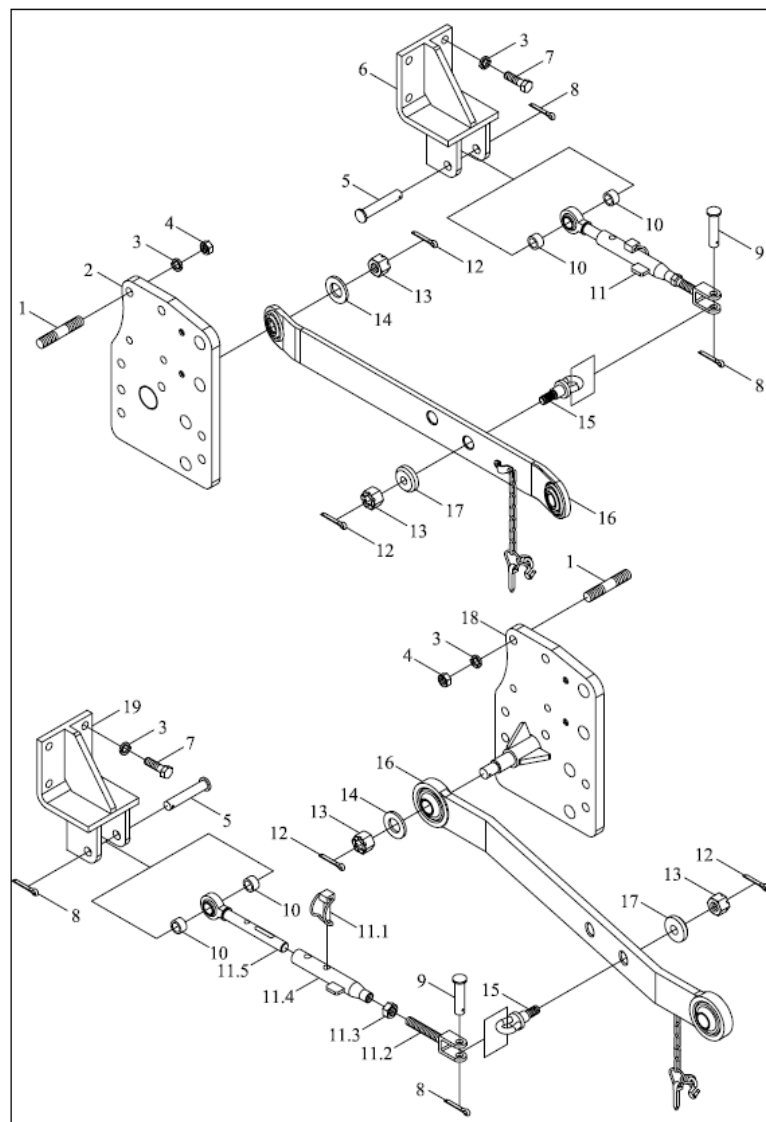
FT500A.56B.001 Suspension mechanism assembly-1



FT500A.56B.001-1 56.1-悬挂机构总成-1 SUSPENSION MECHANISM ASSEMBLY-1

标号 No.	代号 Code	名称 Description		数量 Quantity	备注 Remark
1	GBT899-AM16-M16X1.5X45-A3L	双头螺柱	8.8-A3L STUD	8	2011-11_
10	FT300.56A.103	套	COVER	4	2011-11_
11	FT300.56A.016a	限位杆总成	LIMIT ROD ASSEMBLY	2	2011-11_
11.1	FT300.56A.023	限位杆锁销组合	LIMITING ROD LOCK PIN ASSEMBLY	1	2011-11_
11.2	FT300.56A.161	限位杆调节螺杆	LIMITING ROD ADJUSTING SCREW	1	2011-11_
11.3	GBT6170-M22-A3L	1型六角螺母	NUT	1	2011-11_
11.4	FT300.56A.022a	伸缩导管焊合件	EXTENSIBLE GUIDE PIPE WELDMENT	1	2011-11_
11.5	FT300.56A.021a	伸缩杆球头总成	EXTENSIBLE ROD BALL ASSEMBLY	1	2011-11_
12	GBT91-4X36-A0P	开口销	PIN	4	2011-11_
13	GBT6178-M20-A3L	1型六角开槽螺母	NUT (PAGE81)	4	2011-11_
14	GBT97.1-20-A0P	垫圈	WASHER	2	
14	GBT97.1-20-A0P	垫圈	WASHER	2	
15	FT300.56A.110a	限位杆后联接销	LIMITING ROD REAR CONNECTING PIN	2	2011-11_
16	FT500A.56.012	下拉杆总成	LOWER PULL ROD ASSEMBLY	2	2011-11_
16	FT500A.56.012	下拉杆总成	LOWER PULL ROD ASSEMBLY	2	2011-11_
17	FT300.56A.111a	圆板	ROUND BOARD	2	2011-11_
18	FT300.56B.015	左下拉杆支座焊合件	LEFT LOWER PULL ROD SEAT WELDMENT	1	2011-11_
19	FT300.56A.017	左限位杆支架焊合件	LEFT LIMITING ROD BRACKET WELDMENT	1	2011-11_
2	FT300.56B.014	右下拉杆支座焊合件	RIGHT LOWER PULL ROD SEAT WELDMENT	1	2011-11_
3	GBT93-16-A0P	弹簧垫圈	SPRING WASHER	16	2011-11_
4	GBT6171-M16X1.5-A3L	1型六角螺母	NUT	8	2011-11_
5	FT300.56A.102	限位杆联接销	LIMITING ROD CONNECTING PIN	2	2011-11_
5	FT300.56A.102	限位杆联接销	LIMITING ROD CONNECTING PIN	2	2011-11_
6	FT300.56A.019	右限位杆支架焊合件	RIGHT LIMITING ROD BRACKET WELDMENT	1	2011-11_
7	GBT5783-M16X40-A3L	六角头螺栓	BOLT	8	2011-11_

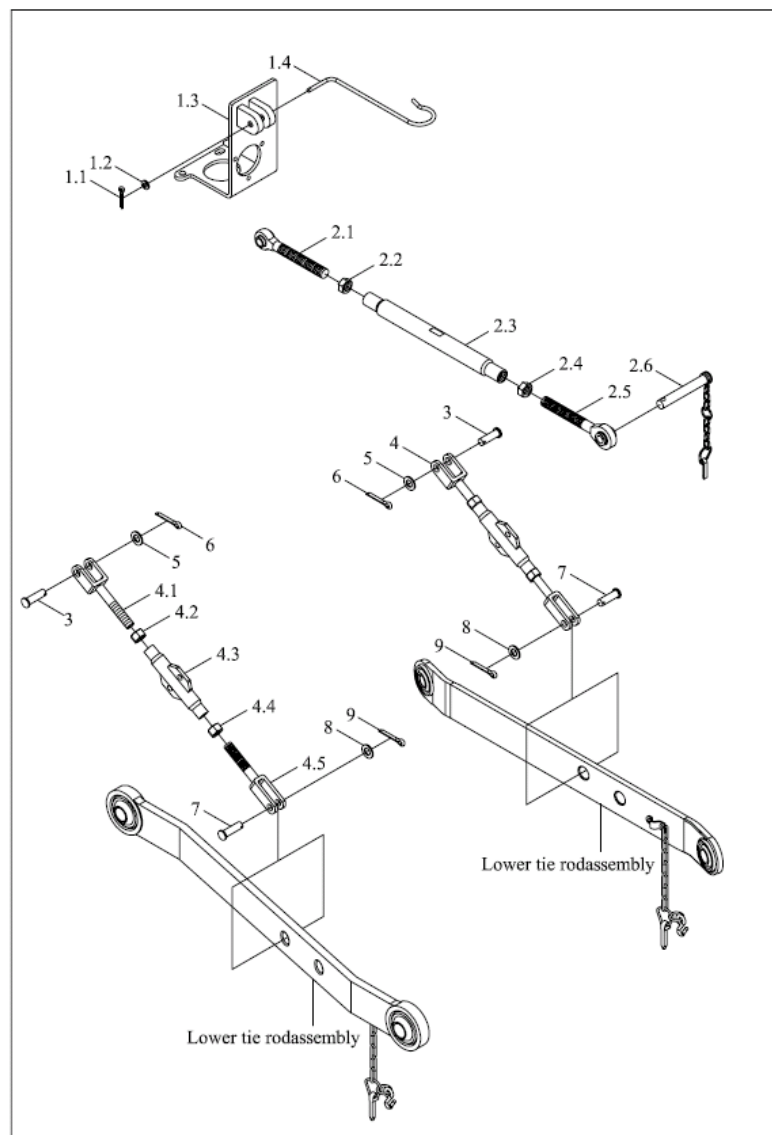
FT500A.56B.001 Suspension mechanism assembly-1



FT500A.56B.001-1 56.1-悬挂机构总成-1(续)

标号 No.	代号 Code	名称 Description		数量 Quantity	备注 Remark
8	GBT91-5X32-A0P	开口销	PIN	4	2011-11_
9	GBT882-B18X55-A0P	销轴	PIN	2	2011-11_

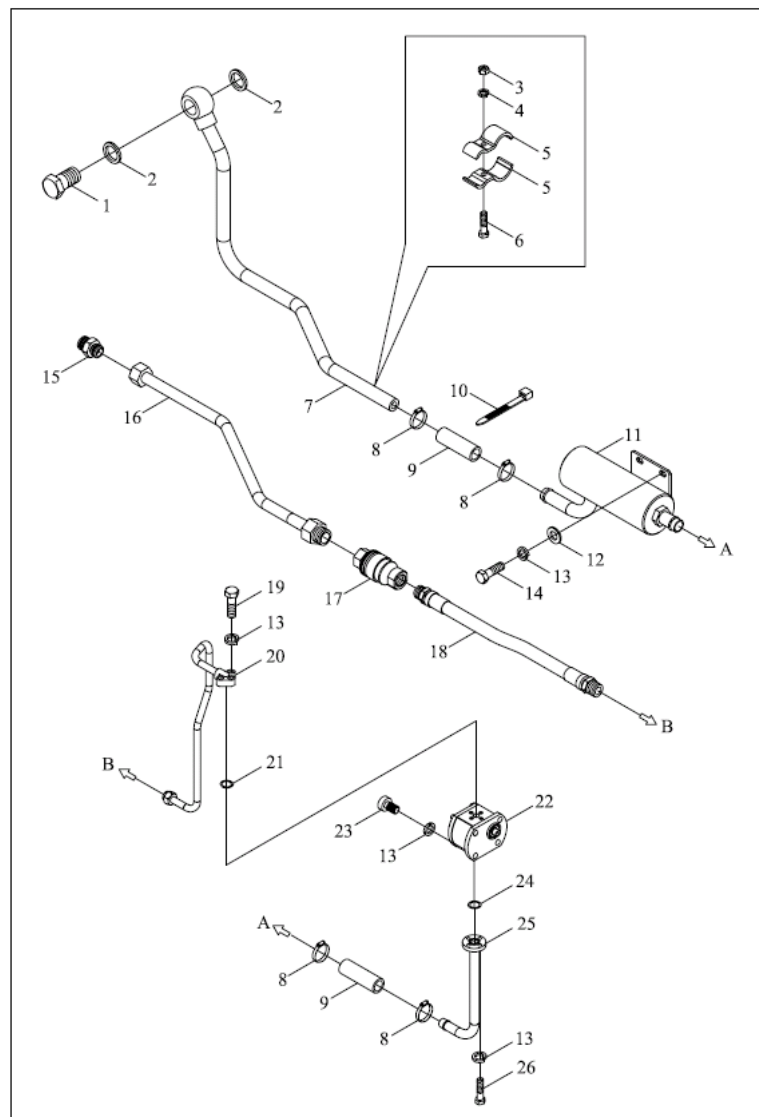
FT500A.56B.001 Suspension mechanism assembly-2



FT500A.56B.001-2 56.2-悬挂机构总成-2 SUSPENSION MECHANISM ASSEMBLY-2

标号 No.	代号 Code	名称 Description		数量 Quantity	备注 Remark
1.1	GBT91-2X10-A0P	开口销	PIN	1	2011-11_
1.2	GBT97.1-6-A0P	平垫圈	WASHER	1	2011-11_
1.3	FT300.56A.020b	座板焊合件	SEAT PLATE WELDMENT	1	2009-09_
1.3	FT300.56A.020a	座板焊合件	SEAT PLATE WELDMENT	1	2001-01_
1.4	FT300.56A.216	固定卡	LOCKING CLAMP	1	2011-11_
2.1	FT500A.56.026	上拉杆前调节杆总成	UPPER PULL ROD FRONT ADJUSTING ROD ASSEMBLY	1	2011-11_
2.2	GBT6173-M27X2-A3L	六角薄螺母	NUT	1	2011-11_
2.3	FT500A.56.130	调节螺管	ADJUSTING SOLENOID	1	2011-11_
2.4	GBT6173-M27X2-LH-A3L	六角薄螺母	NUT	1	2011-11_
2.5	FT500A.56.024	上拉杆后调节杆总成	UPPER PULL ROD REAR ADJUSTING ROD ASSEMBLY	1	2011-11_
2.6	FT65.56.015	上拉杆锁销总成	UPPER PULL ROD LOCK PIN ASSEMBLY	1	2011-11_
3	FT500A.56.101	提升杆上联连接销	LIFTING ROD UPPER CONNECTING PIN	2	2011-11_
4.1	FT500A.56.107	提升杆上联接叉	LIFTING ROD UPPER CONNECTING FORK	1	2011-11_
4.2	GBT6171-M27X2-Zn.D	1型六角螺母	NUT	1	2011-11_
4.3	FT500A.56.033	提升杆螺管焊合	LIFTING ROD SOLENOID WELDMENT	1	2011-11_
4.4	GBT6171-M27×2-A3L	螺母	LIFTING ROD LOWER CONNECTING FORK	1	2011-11_
4.5	FT500A.56.108	提升杆下联接叉	LIFTING ROD LOWER CONNECTING FORK	1	2011-11_
4.5	FT500A.56.108	提升杆下联接叉	NUT	1	2011-11_
5	FT500A.56.118	垫圈	WASHER	2	2011-11_
6	GBT91-5X40-A0P	开口销	LIFTING ROD LOWER CONNECTING FORK	2	2011-11_
7	FT300.56A.112	提升杆下联接销	PIN	2	2011-11_
8	GBT97.1-24-A0P	垫圈	WASHER		2011-11_
8	GBT97.1-24-A0P	垫圈	LIFTING ROD LOWER CONNECTING PIN		2011-11_
9	GBT91-5X32-A0P	开口销	WASHER	2	2011-11_
			WASHER		

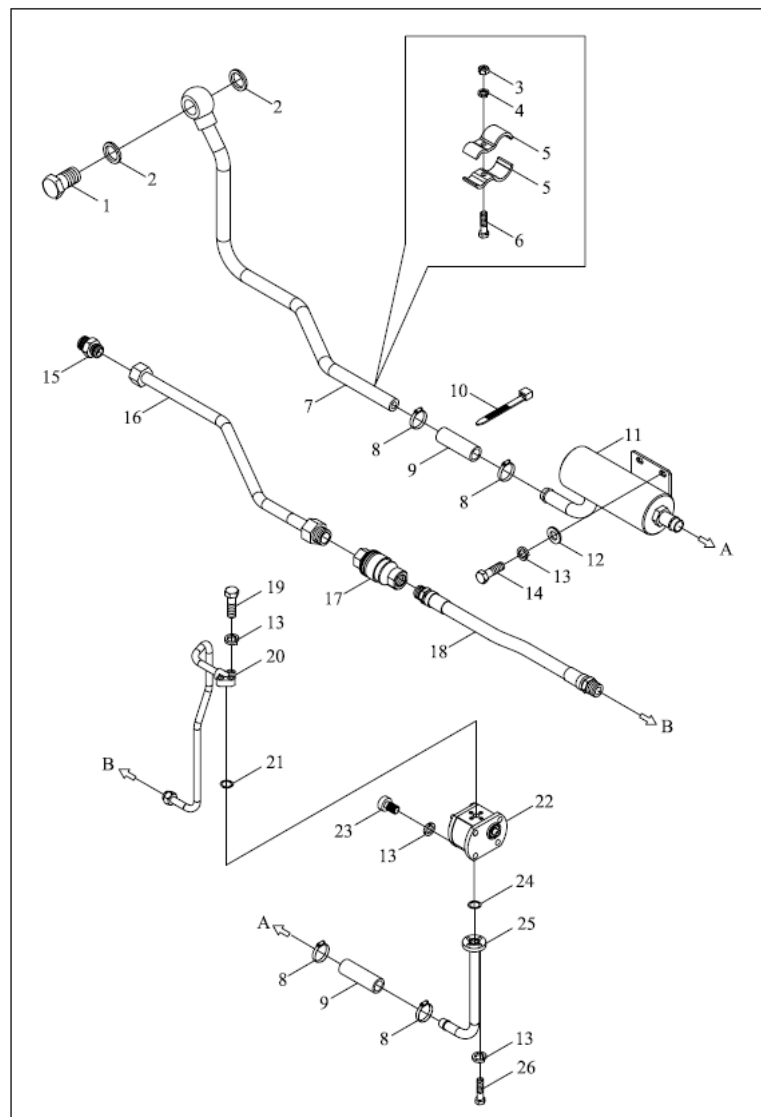
TB400.581C 油泵油管滤油器总成



TB400.581C 58.1-油泵油管滤油器总成 58.1-OIL PUMP/PIPE/FILTER ASSEMBLY

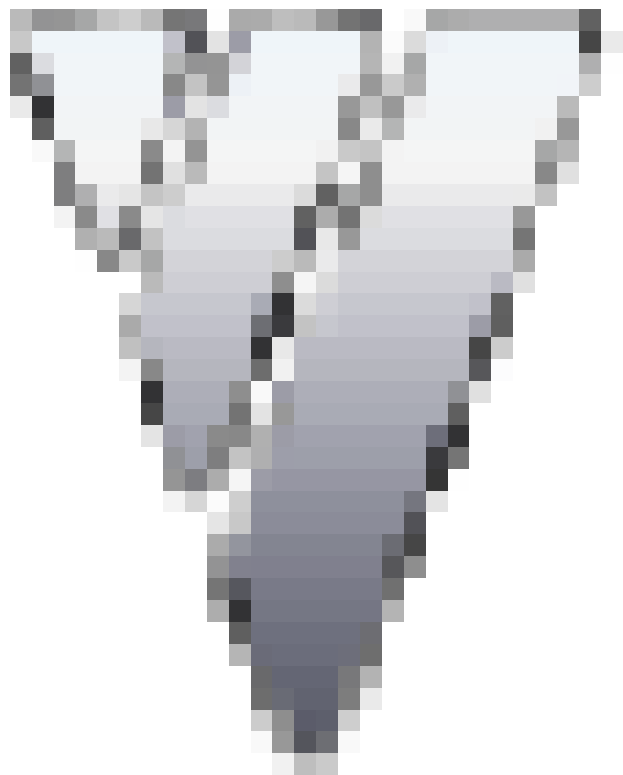
标号 No.	代号 Code	名称 Description		数量 Quantity	备注 Remark
1	FT300.58.101	铰接螺栓	JOINT BOLT	1	2007-10_
10	Q67407200	塑料紧箍带	PLASTIC FASTEN STRIP	1	2007-10_
11	FT400.58X.040	滤油器总成	OIL FILTER ASSEMBLY	1	2007-10_
12	GBT95-8-A0P	平垫圈	WASHER	2	2007-10_
13	GBT93-8-AOP	垫圈	WASHER	9	2007-10_
14	GBT5783-M8X16-A2L	螺栓	BOLT	2	2007-10_
15	FT700.58A.101	卡套式直通接头体	JOINT	1	2007-10_
16	TB400.581C.3	压力油管总成	PRESSURE OIL PIPE ASSEMBLY	1	2007-10_
16	TB400.581C.3	压力油管总成	PRESSURE OIL PIPE ASSEMBLY	1	2007-10_
17	FT354.58A.030	快换接头	QUICK CHANGING JOINT	1	2007-10_
18	TB400.58A.2	压力油管总成2	PRESSURE OIL PIPE ASSEMBLY 2	1	2007-10_
19	GBT5783-M8X35-A2L	六角头螺栓	BOLT	3	2007-10_
2	JBT982-22	组合密封垫圈	COMBINED SEAL GASKET	2	2007-10_
20	TB400.581C.1	压力油管总成1	PRESSURE OIL PIPE ASSEMBLY 1	1	2007-10_
21	GBT3452.1-15.0X2.65G	液压气动用O形橡胶密封圈	O-SEAL RING	1	2007-10_
22	FT304.58L.010	齿轮泵	GEAR PUMP	1	2007-10_
23	GBT70.1-M8X35-A2L	内六角圆柱头螺钉	SCREW	4	2007-10_
24	GBT3452.1-21.2X1.80G	液压气动用O形橡胶密封圈	O-SEAL RING	1	2007-10_
25	FT400.58X.015	吸油短管焊合	OIL SUCTION SHORT PIPE WELDMENT	1	2007-10_
26	GBT5783-M8X25-A2L	螺栓	BOLT	2	2007-10_
3	GBT6170-M6-A2L	螺母	NUT	2	2007-10_
4	GBT93-6-A0P	弹簧垫圈	SPRING WASHER	2	2004-01_
5	FT300.58.013	油管夹与胶垫胶合	OIL PIPE CLAMP AND RUBBER WASHER	4	2007-10_
6	GBT5783-M6X30-A2L	螺栓	BOLT	2	2007-10_
7	FT450.58X.011	吸油管焊合	OIL SUCTION PIPE WELDMENT	1	2007-10_

TB400.581C 油泵油管滤油器总成



TB400.581C 58.1-油泵油管滤油器总成(续)

标号 No.	代号 Code	名称 Description		数量 Quantity	备注 Remark
8	Q67632	软管环箍32	HOSE HOOP 32	4	2007-10_
9	FT300.58A.104	吸油胶管	OIL SUCTION HOSE	2	2004-01_
9	FT450.58.103	吸油软管	OIL SUCTION HOSE	2	2009-09_



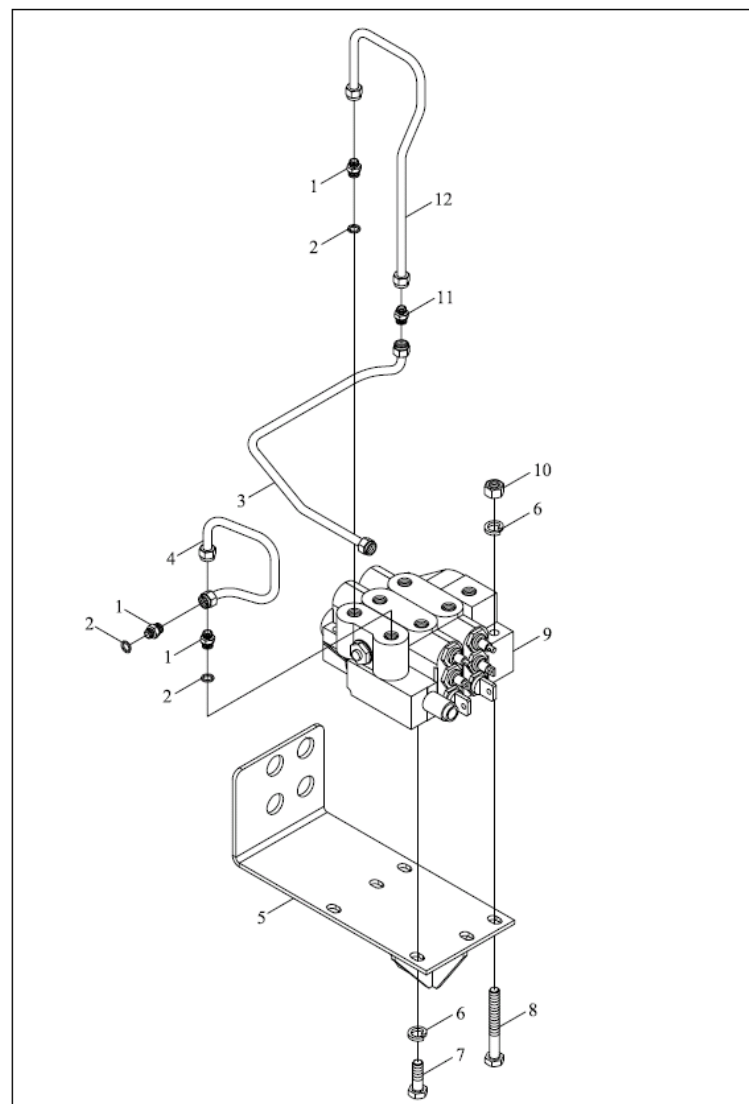
FOTON

福田重工

TB504.582C 58.2-多路阀操纵机构总成 58.2-MULTI-WAY VALVE CONTROL MECHANISM ASSEMBLY

标号 No.	代号 Code	名称 Description	数量 Quantity	备注 Remark
0	TB504.582C-2	58.2.2-多路阀操纵机构总成-2	0	2010-06_
0	TB504.582C-1	58.2.1-多路阀操纵机构总成-1	0	2010-06_
0	TB504.582C-1	多路阀操纵机构总成-1	0	2010-06_
0	TB504.582C-3	58.2.3-多路阀操纵机构总成-3	0	2010-06_
1	FT354.58C.019b	多路阀进油管总成-2	1	2014-06_
1	FT354.58C.015b	多路阀输出油管总成-4	1	2014-06_
1	FT354.58C.017a	多路阀进油管总成-1	1	2014-06_
1	FT354.58A.018b	多路阀进油管总成-2	1	2014-06_
1	TB504.552-04	手柄头总成	2	
		MULTI-WAY VALVE OIL OUTPUT PIPE ASSEMBLY-4		
		MULTI-WAY VALVE OIL INLET PIPE ASSEMBLY-1		
		MULTI-WAY VALVE OIL INLET PIPE ASSEMBLY-2		
		HANDLE HEAD ASSEMBLY		

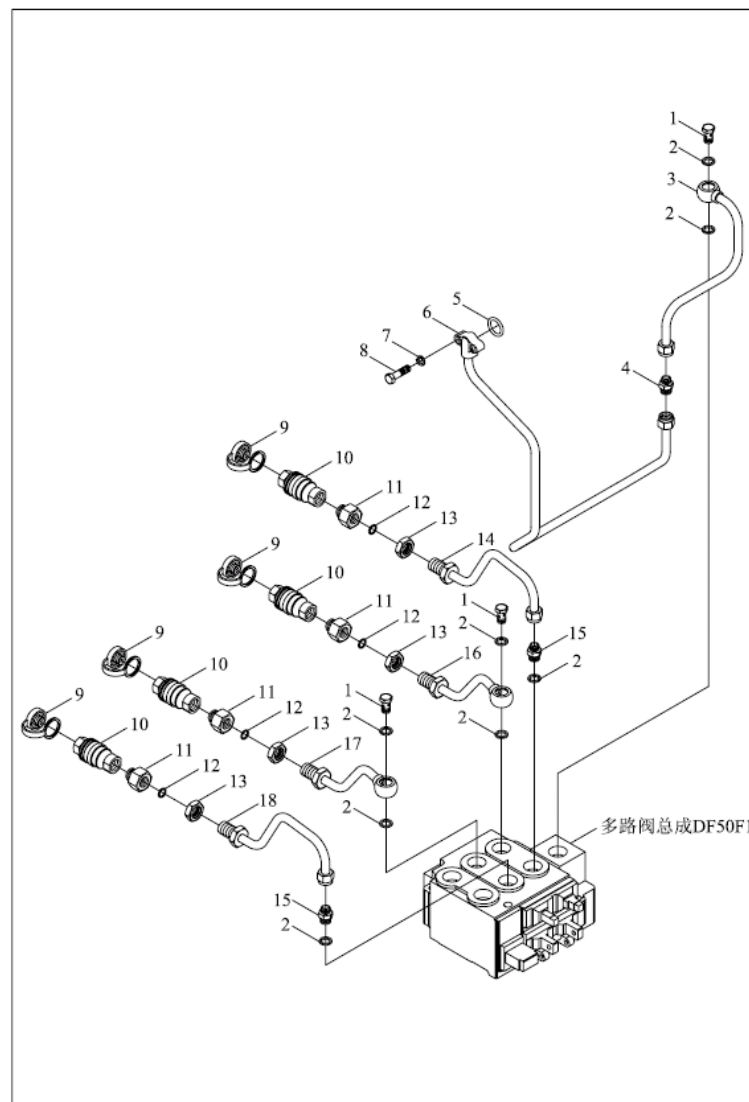
TB504.582C 多路阀操纵机构总成-1



TB504.582C-1 58.2.1-多路阀操纵机构总成-1 MULTI-WAY VALVE CONTROL MECHANISM ASSEMBLY-1

标号 No.	代号 Code	名称 Description		数量 Quantity	备注 Remark
0	8A5131906	安全阀总成	SAFETY VALVE ASSEMBLY	1	2010-06_
1	FT654.58B.102	卡套式端直通接头体1	STRAIGHT THREAD JOINT BODY 1	3	2010-06_
10	GBT6170-M10-A3L	螺母	NUT	3	2010-06_
11	FT700.58A.101	卡套式直通接头体	JOINT	1	2010-06_
12	FT354.58C.017	多路阀进油管总成-1	MULTI-WAY VALVE OIL INLET PIPE ASSEMBLY-1	1	2010-06_
2	JBT982-22	组合密封垫圈		3	2010-06_
3	FT354.58C.019a	多路阀进油管总成-2	COMBINED SEAL GASKET	1	2010-06_
4	FT354.58C.016a	多路阀回油管总成	MULTI-WAY VALVE OIL INLET PIPE ASSEMBLY-2	1	2010-06_
5	FT354.58D.015c	多路阀支架焊接		1	
6	GBT93-10-A0P	标准型弹簧垫圈	MULTI-WAY VALVE OIL RETURN PIPE ASSEMBLY	4	2010-06_
7	GBT5783-M10X30-A3L	螺栓	MULTI-WAY VALVE BRACKET WELDMENT	1	2010-06_
8	GBT5782-M10X70-A2L	六角头螺栓	WASHER	3	2010-06_
9	FT654.58B.020	多路阀总成	BOLT BOLT MULTI-WAY VALVE ASSEMBLY	1	2010-06_

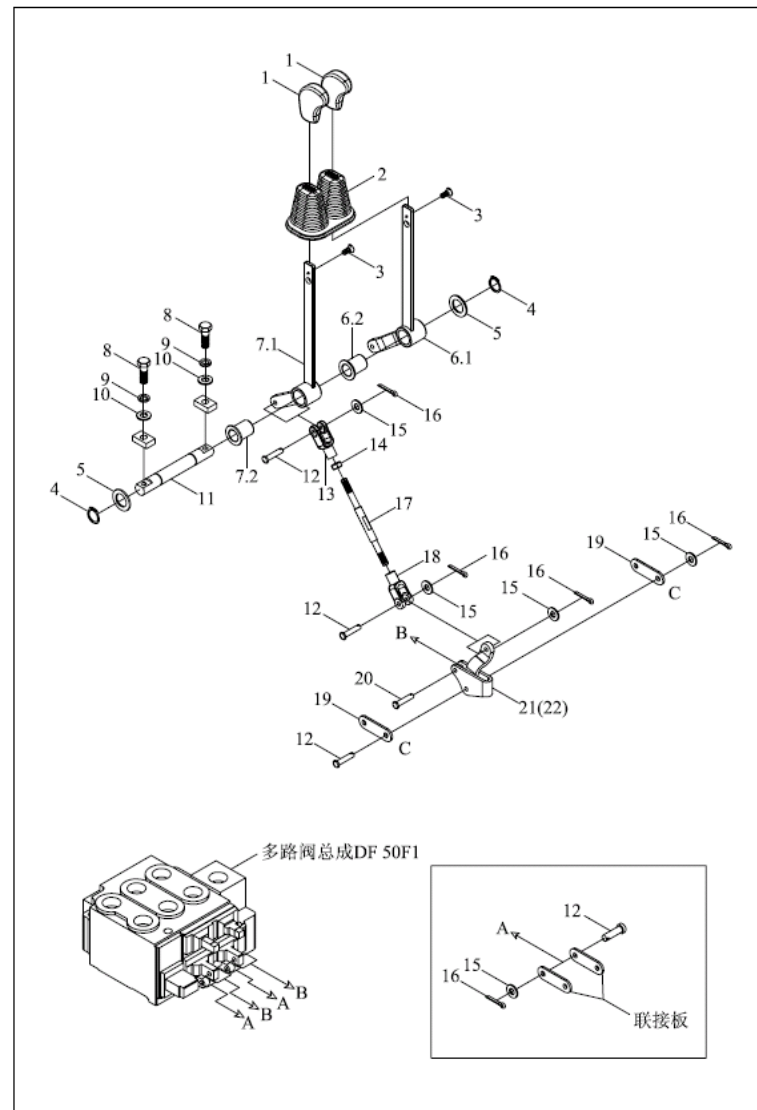
TB504.582C 多路阀操纵机构总成-2



TB504.582C-2 58.2.2-多路阀操纵机构总成-2 MULTI-WAY VALVE CONTROL MECHANISM ASSEMBLY-2

标号 No.	代号 Code	名称 Description		数量 Quantity	备注 Remark
1	FT654.58.107	空心螺栓-1	HOLLOW BOLT -1	3	2010-06_
10	FT354.58A.030	快换接头	QUICK CHANGING JOINT	4	2010-06_
11	FT354.58A.104	英制油管接头	BRITISH SYSTEM OIL PIPE JOINT	4	2010-06_
12	GBT3452.1-12.5X2.65G	液压气动用O形橡胶密封圈	O-SEAL RING	4	2010-06_
13	GBT6173-M22X1.5-A3L	六角薄螺母	NUT	4	
14	FT354.58A.015c	多路阀输出油管总成-4	MULTI-WAY VALVE OIL OUTPUT PIPE ASSEMBLY-4	1	2009-09_
14	FT354.58A.015b	多路阀输出油管总成-4	ASSEMBLY-4	1	2010-06_
15	FT654.58B.102	卡套式端直通接头体1	MULTI-WAY VALVE OIL OUTPUT PIPE	2	2010-06_
16	FT354.58A.014C	多路阀输出油管总成-3	ASSEMBLY-4	1	
17	FT354.58A.016b	多路阀输出油管总成-1	STRAIGHT THREAD JOINT BODY 1 MULTI-WAY VALVE OIL OUTPUT PIPE	1	
17	FT354.58A.016c	多路阀输出油管总成-1	ASSEMBLY-3	1	2010-06_
18	FT354.58A.017b	多路阀输出油管总成-2	MULTI-WAY VALVE OIL OUTPUT PIPE	1	2010-06_
18	FT354.58A.017c	多路阀输出油管总成-2	ASSEMBLY-1	1	2009-09_
18	FT354.58A.017c	多路阀输出油管总成-2		1	2009-09_
2	JBT982-22	组合密封垫圈	MULTI-WAY VALVE OIL OUTPUT PIPE ASSEMBLY-1	8	2010-06_
3	FT354.58C.015a	多路阀出油管总成-1	MULTI-WAY VALVE OIL OUTPUT PIPE	1	2010-06_
4	FT700.58A.101	卡套式直通接头体	ASSEMBLY-2	1	2010-06_
5	GBT3452.1-15.0X2.65G	液压气动用O形橡胶密封圈	MULTI-WAY VALVE OIL OUTPUT PIPE	1	2010-06_
6	FT354.58A.018a	多路阀出油管总成-2	ASSEMBLY-2	1	2012-02_
6	FT454.58X.011a	多路阀出油管总成	MULTI-WAY VALVE OIL OUTPUT PIPE ASSEMBLY-2	1	2010-06_
7	GBT93-8-A0P	垫圈	COMBINED SEAL GASKET	2	2010-06_
8	GBT5783-M8X30-A2L	螺栓		2	2010-06_
9	FT354.58A.103	防尘盖	MULTI-WAY VALVE OIL OUTPUT PIPE ASSEMBLY-1 JOINT	4	2010-06_

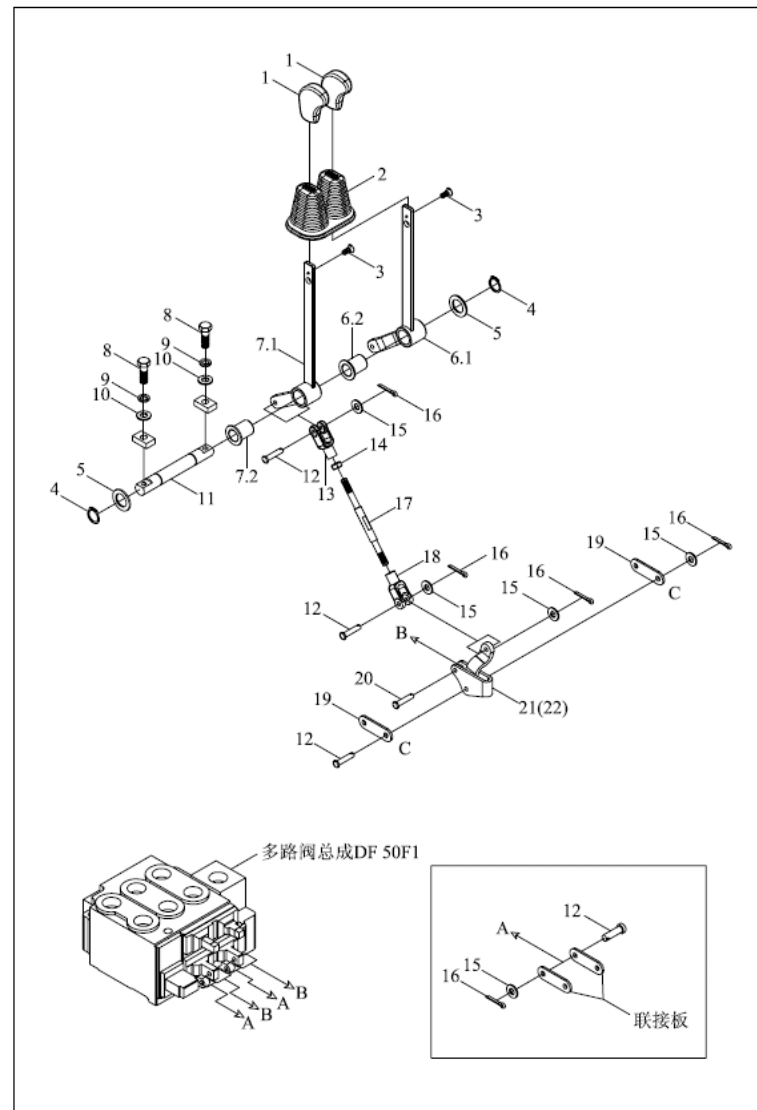
TB504.582C 多路阀操纵机构总成-3



TB504.582C-3 58.2.3-多路阀操纵机构总成-3 MULTI-WAY VALVE CONTROL MECHANISM ASSEMBLY-3

标号 No.	代号 Code	名称 Description		数量 Quantity	备注 Remark
1	TB604.582G-01	手柄头	HANDLE HEAD	2	2012-12_
1	TB504.552-04	手柄头总成	HANDLE HEAD ASSEMBLY	2	
10	GBT97.1-8-A0P	平垫圈	WASHER	2	2010-06_
11	TB504.552A-01	转轴	ROTATING SHAFT	1	2010-06_
12	GBT882-B6X28	销轴	PIN	8	
13	FT804A.58L.133	右旋拉杆叉	RIGHT REVOLVING PULL ROD FORK	2	2010-06_
14	GBT6170-M8-A2L	螺母	NUT	2	2010-06_
15	GBT97.1-6-A0P	平垫圈	WASHER	10	2010-06_
16	GBT91-2X12-A0P	开口销	PIN	10	2010-06_
17	TB504.582A-01	螺纹杆	SCREW	2	2010-06_
18	FT804A.58L.136	左旋拉杆叉	LEFT REVOLVING PULL ROD FORK	2	2010-06_
19	FT654.58.103	联接板	CONNECTING PLATE	4	2010-06_
2	TB504.552A-02	防尘套	DUST COVER	1	2004-01_
2	TB504.552A-02a	防尘套	DUST COVER	1	2011-09_
20	GBT882-B6X22	销轴	PIN	2	2010-06_
21	TB504.582A.1	连接板焊合	CONNECTING PLATE WELDMENT	1	2010-06_
22	TB504.582A.2	连接板焊合	CONNECTING PLATE WELDMENT	1	2010-06_
3	GBT68-M4X10-A2L	开槽沉头螺钉	SCREW	2	2010-06_
4	GBT894.1-18	挡圈	RETAINER RING	2	2010-06_
5	TB504.552A-03	尼龙垫圈	NYLON WASHER	2	2010-06_
6	TB504.582A.4	多路阀操纵杆压合	MULTI-WAY VALVE CONTROL ROD PRESSURE	1	2004-01_
6	TB504.582H.4a	多路阀操纵杆压合2	UNIT2	1	2011-09_
6	TB504.582H.4	多路阀操纵杆压合	MULTI-WAY VALVE CONTROL ROD PRESSURE	1	2010-02_
6.1	TB504.582A.4.1	多路阀操纵杆焊合	UNIT2	1	2010-06_
6.2	TB504.582A.1-01	尼龙隔套	MULTI-WAY VALVE CONTROL ROD PRESSURE	1	2011-11_

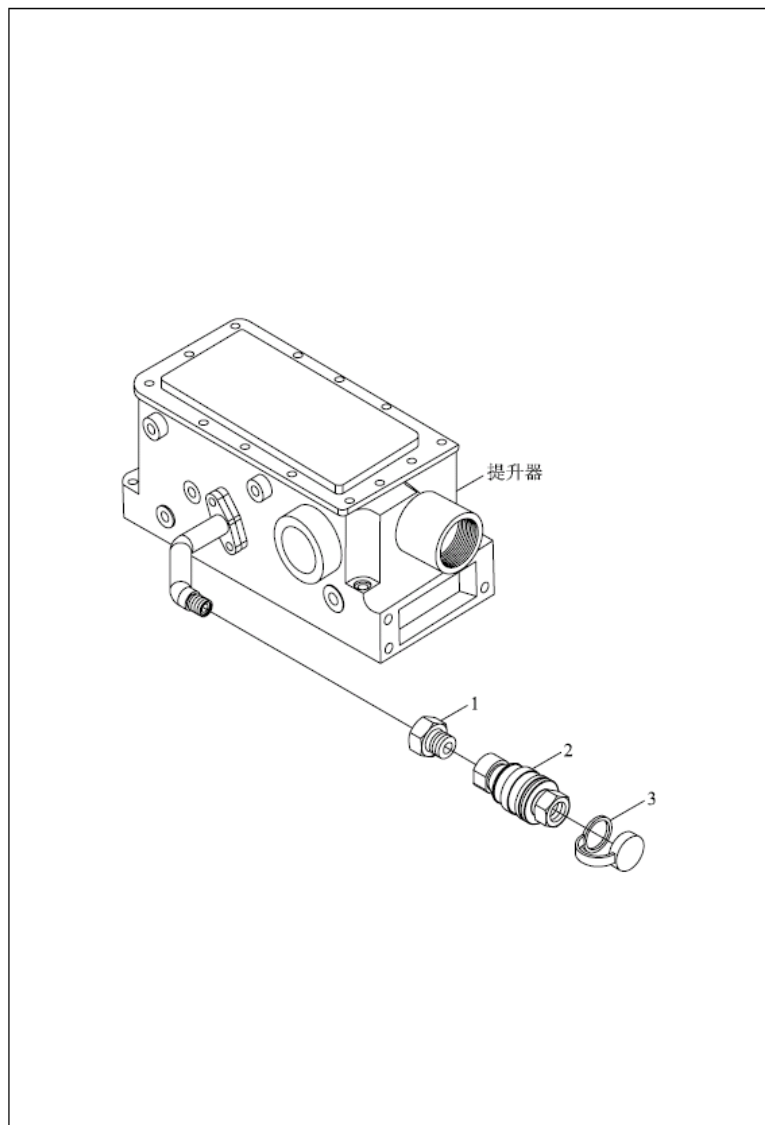
TB504.582C 多路阀操纵机构总成-3



TB504.582C-3 58.2.3-多路阀操纵机构总成-3(续)

标号 No.	代号 Code	名称 Description		数量 Quantity	备注 Remark
7	TB504.582H.3	多路阀操纵杆压合1	MULTI-WAY VALVE CONTROL ROD PRESSURE	1	2010-02_
7	TB504.582A.3	多路阀操纵杆压合	UNIT 1	1	2004-01_
7	TB504.582H.3a	多路阀操纵杆压合1	MULTI-WAY VALVE CONTROL ROD PRESSURE	1	2011-09_
7.1	TB504.582A.3.1	多路阀操纵杆焊合	UNIT2	1	2010-06_
7.2	TB504.582A.1-01	尼龙隔套	MULTI-WAY VALVE CONTROL ROD PRESSURE UNIT 1	1	2010-06_
8	GBT5783-M8X35-A2L	六角头螺栓	MULTI-WAY VALVE CONTROL ROD WELDMENT	2	
9	GBT93-8-A0P	垫圈	NYLON SPACER BUSH BOLT WASHER	2	2010-06_

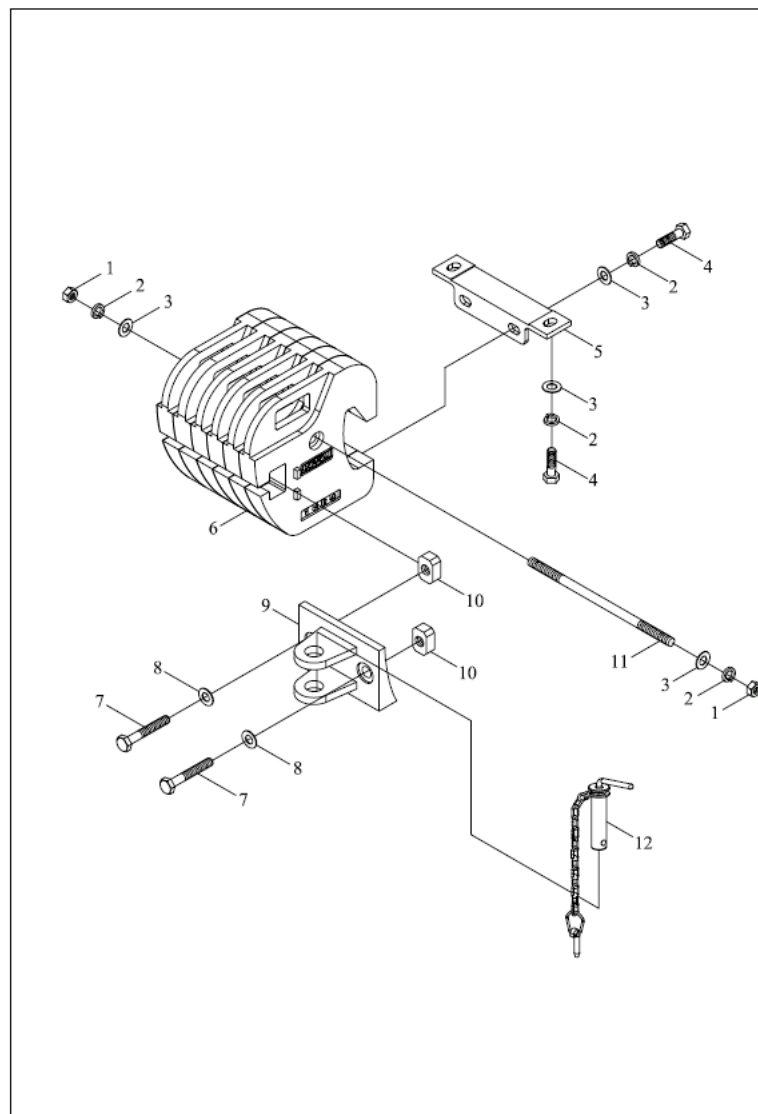
TB300.583ASingle-circuit hydraulic pressure output assembly2



TB300.583A 58.3-单路液压输出总成2 58.3-SINGLE-WAY HYDRAULIC OUTPUT ASSEMBLY 2

标号 No.	代号 Code	名称 Description	数量 Quantity	备注 Remark
1	FT354.58A.104	英制油管接头	1	2011-11_
2	FT354.58A.030	快换接头	1	2011-11_
3	FT354.58A.103	防尘盖	1	2011-11_

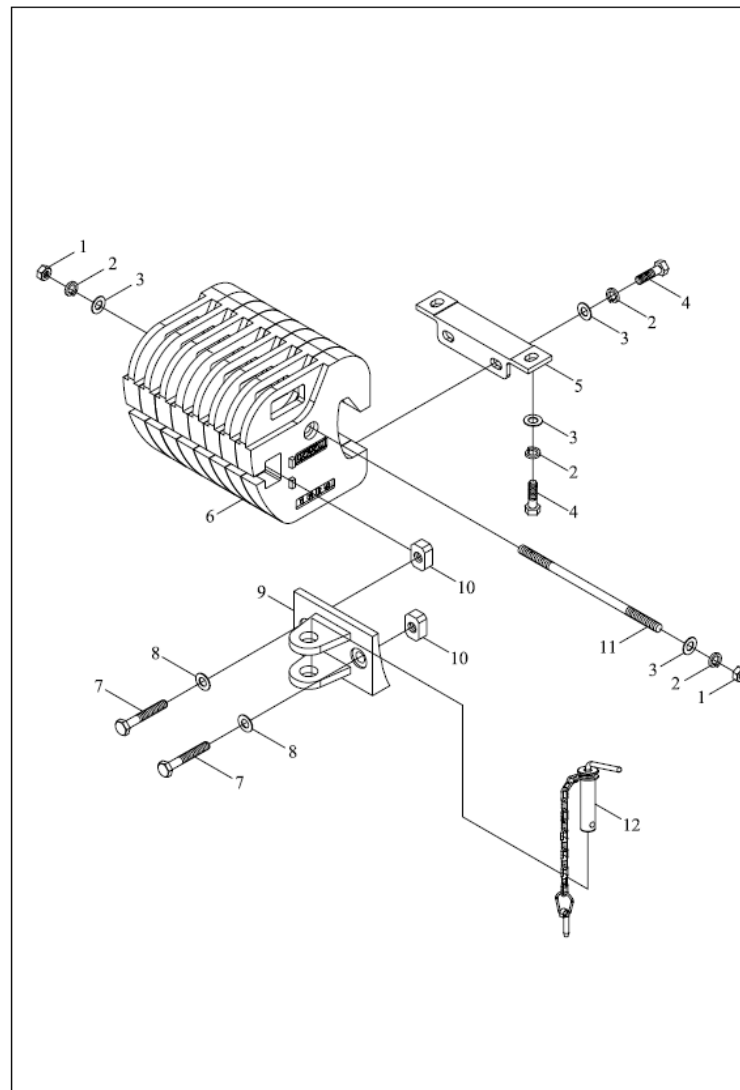
TB400.74A 前配重总成



TB400.74A 74-前配重总成 74-FRONT BALLAST ASSEMBLY

标号 No.	代号 Code	名称 Description	数量 Quantity	备注 Remark
0	TB404.74A.1	前配重小总成	1	2012-04_
1	GBT6170-M16-A3L	螺母 M16-A3L	2	2011-11_
10	FT650.74.108	牵引螺母	2	2011-11_
11	FT304.74A.108	连接螺栓	1	2011-11_
12	TE254.742.1	牵引销焊合总成	1	2011-11_
2	GBT93-16-A0P	弹簧垫圈	6	2011-11_
3	GBT97.1-16-A0P	垫圈	6	2011-11_
4	GBT5783-M16X35-A3L	六角头螺栓	4	2011-11_
5	TB400.74A-03	固定架	1	2011-11_
6	TB400.74A-01	配重块	6	2011-11_
6	TB400.74A-01	配重块	6	2011-11_
7	GBT5785-M20X1.5X80-8.8-A3L	六角头螺栓	2	2004-01_
8	GBT97.1-20-A0P	垫圈	2	2011-11_
8	GBT97.1-20-A0P	垫圈	2	2011-11_
9	TB400.74A-04	牵引耳	1	2011-11_

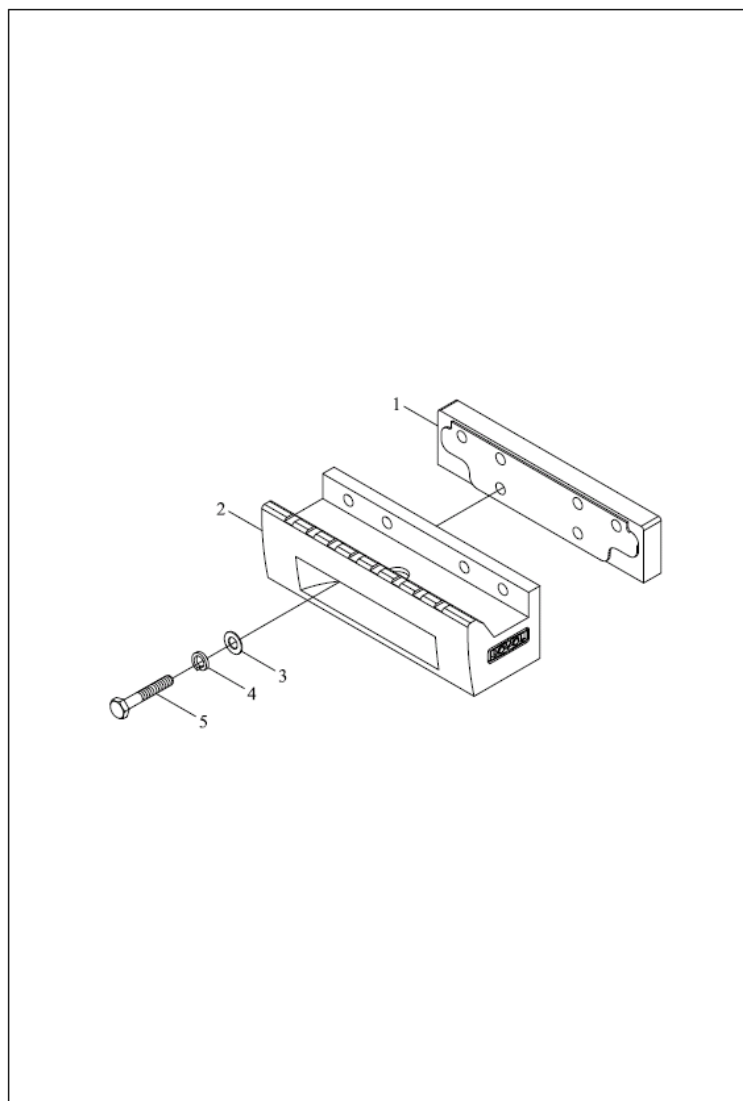
TB404.74A 前配重总成



TB404.74A 74-前配重总成 74-FRONT BALLAST ASSEMBLY

标号 No.	代号 Code	名称 Description		数量 Quantity	备注 Remark
1	GBT6170-M16-A3L	螺母 M16-A3L	NUT	2	2011-11_
10	FT650.74.108	牵引螺母	TOWING NUT	2	2011-11_
11	FT404.74A.108	连接螺栓	CONNECTING BOLT	1	2011-11_
12	TB400.74A.2	牵引销及锁销总成	TOWING PIN AND LOCK PIN ASSEMBLY	1	2011-11_
2	GBT93-16-A0P	弹簧垫圈	SPRING WASHER	6	2011-11_
3	GBT97.1-16-A0P	垫圈	WASHER	6	2011-11_
4	GBT5783-M16X35-A3L	六角头螺栓	BOLT	4	2011-11_
5	TB400.74A-03	固定架	FIXING BRACKET	1	2011-11_
6	TB404.74A.1	前配重小总成	FRONT BALLAST ASSEMBLY	1	2012-04_
6.1	TB400.74A-01	配重块	BALLAST	8	
6.1	TB400.74A-01	配重块	BALLAST	8	
7	GBT5785-M20X1.5X80-8.8-A3L	六角头螺栓	BOLT	2	
8	GBT97.1-20-A0P	垫圈	WASHER	2	2011-11_
8	GBT97.1-20-A0P	垫圈	WASHER	2	2011-11_
9	TB400.74A-04	牵引耳	TOWING LUG	1	2011-11_

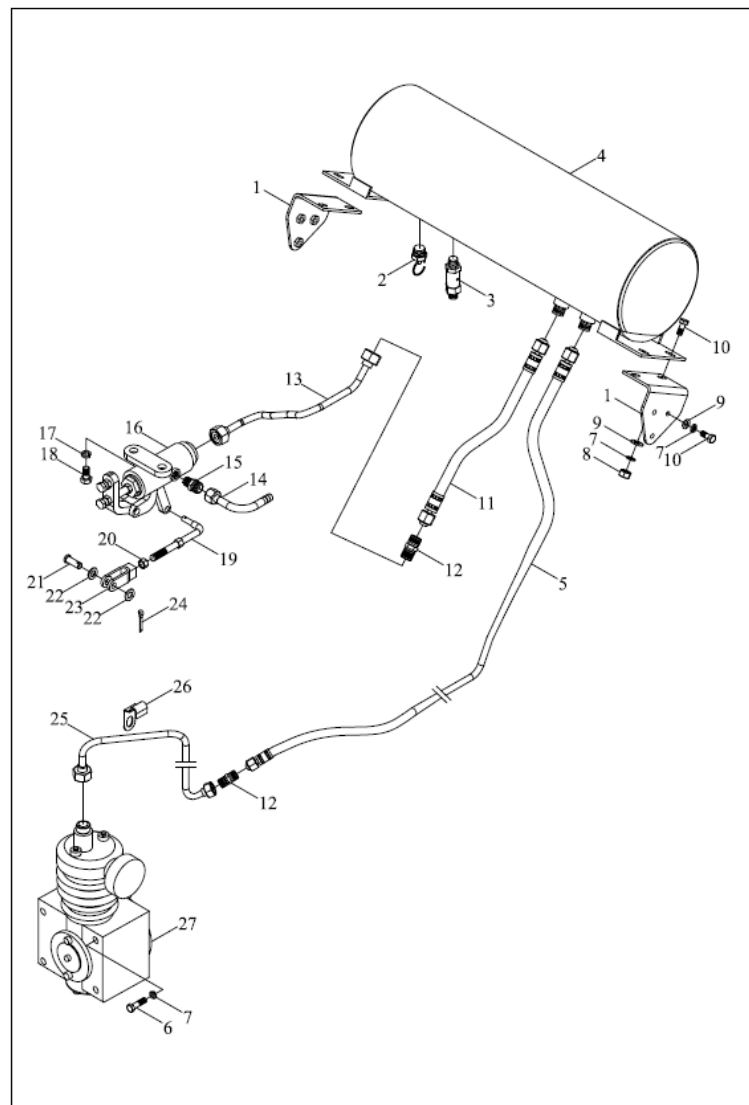
TB400.74B 前配重架总成



TB400.74B 74-前配重架总成 74-FRONT BALLAST BRACKET ASSEMBLY

标号 No.	代号 Code	名称 Description		数量 Quantity	备注 Remark
1	FT300.74B.102	前配重架垫块	FRONT BALLAST BRACKET MAT BLOCK	1	2011-11_
2	TB400.74B-01	配重架	BALLAST BRACKET	1	2011-11_
3	GBT97.1-16-A0P	垫圈	WASHER	6	2011-11_
4	GBT93-16-A0P	弹簧垫圈	SPRING WASHER	6	2011-11_
5	GBT5780-M16X90-A2L	六角头螺栓	BOLT	6	2011-11_

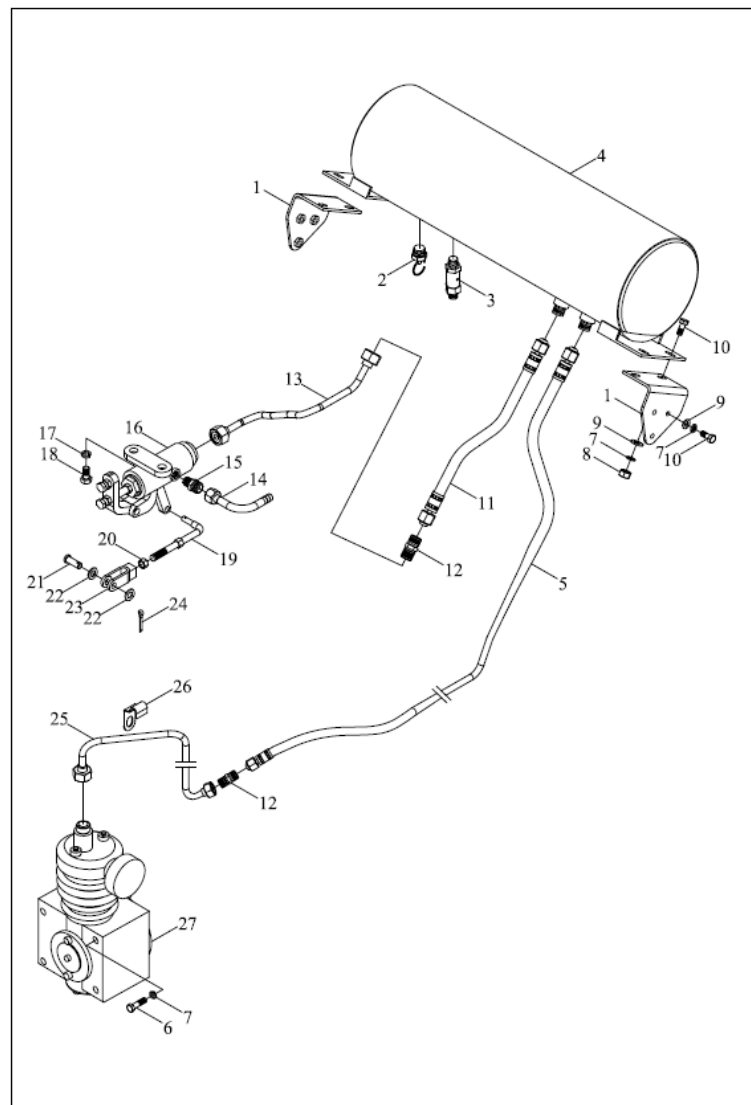
TB400.80 气制动装配总成



TB400.80 80-气制动装配总成 80-PNEUMATIC BRAKE INSTALLATION ASSEMBLY

标号 No.	代号 Code	名称 Description		数量 Quantity	备注 Remark
1	TB400.80.2	固定架焊合	FIXING BRACKET WELDMENT	2	2011-11_
10	GBT5783-M8X20-A2L	螺栓	BOLT	10	2011-11_
11	FT300.80.037	气制动软管组合件	PNEUMATIC BRAKE HOSE COMBINATION	1	2011-11_
12	FT300.80.103	直管接头	STRAIGHT PIPE JOINT	2	2011-11_
13	FT300.80.016	出气管总成	AIR OUTLET PIPE ASSEMBLY	1	2011-11_
14	FT300.80.013	输气管总成	AIR CONVEYING PIPE ASSEMBLY	1	2011-11_
15	FT300.80.104	排气管接头	EXHAUST PIPE JOINT	1	2011-11_
16	FT300.80.011	气制动阀总成	PNEUMATIC BRAKE VALVE ASSEMBLY	1	2011-11_
17	GBT93-10-A2L	标准型弹簧垫圈	WASHER	2	2011-11_
18	GBT5783-M10X20-A2L	六角头螺栓	BOLT	2	
19	FT300.80.014	调节拉杆合件	ADJUSTING PULL ROD UNIT	1	2011-11_
2	FT300.80.033	放水阀总成	DRAIN VALVE ASSEMBLY	1	2011-11_
20	GBT6170-M10-A2L	螺母	NUT	1	2011-11_
21	GBT882-10X28-A2L	销轴	PIN	1	2011-11_
22	GBT848-10-A2L	小垫圈	WASHER	2	2011-11_
23	FT300.80.105	调节叉	ADJUSTING FORK	1	2011-11_
24	GBT91-3.2X16-A2L	开口销	PIN	1	2011-11_
25	FT400.80N.015	空压机出气管总成	AIR COMPRESSOR OUTLET PIPE ASSEMBLY	1	2011-11_
26	FT300.80.101a	管夹	PIPE CLAMP	2	2011-11_
27	FT300.80.018	空气压缩机	AIR COMPRESSOR	1	2011-11_
28	TB450.801A.1	固定架焊合	FIXING BRACKET WELDMENT	1	
3	FT300.80.034	安全阀总成	SAFETY VALVE ASSEMBLY	1	2011-11_
4	TB400.80.1	贮气筒焊接总成	AIR HOLDER WELDMENT ASSEMBLY	1	2011-11_
5	FT400.80A.038	空压机出气软管组合件	AIR COMPRESSOR OUTLET HOSE UNIT	1	2011-11_
6	GBT5783-M8X90-A2L	六角头螺栓	BOLT	4	2011-11_

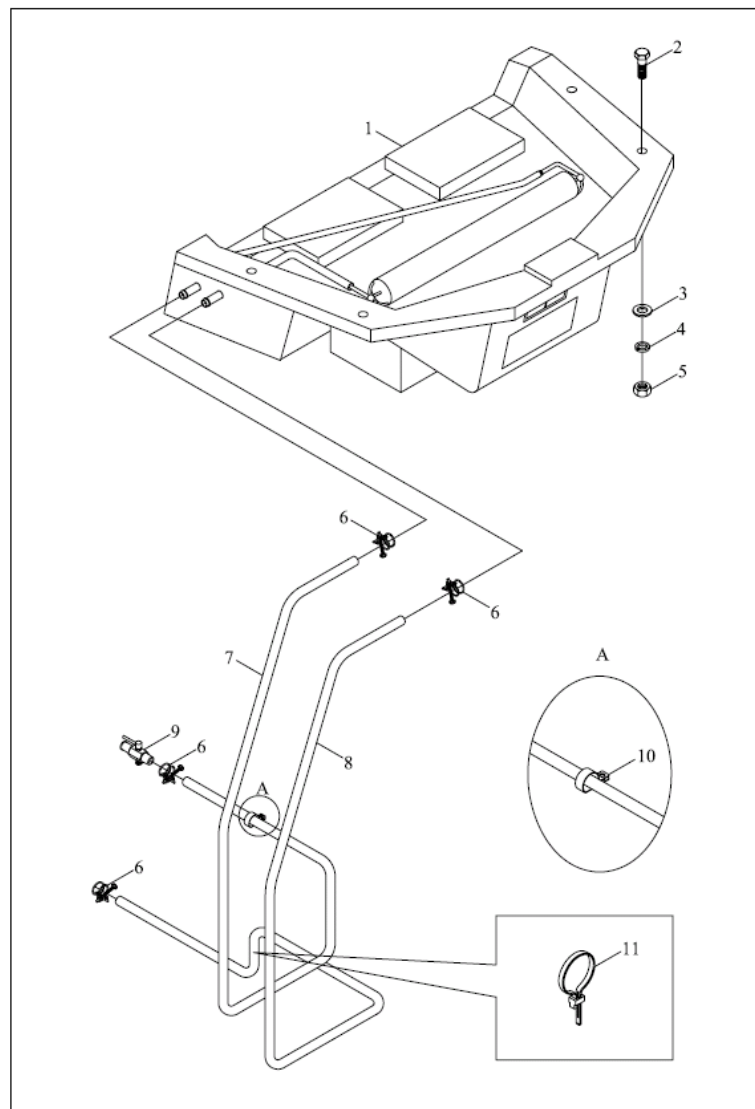
TB400.80 气制动装配总成



TB400.80 80-气制动装配总成(续)

标号 No.	代号 Code	名称 Description		数量 Quantity	备注 Remark
7	GBT93-8-A2L	标准型弹簧垫圈	WASHER	17	
8	GBT6170-M8-Zn.D	1型六角螺母	NUT	4	2011-11_
9	GBT97.1-8	垫圈	WASHER	10	2011-11_

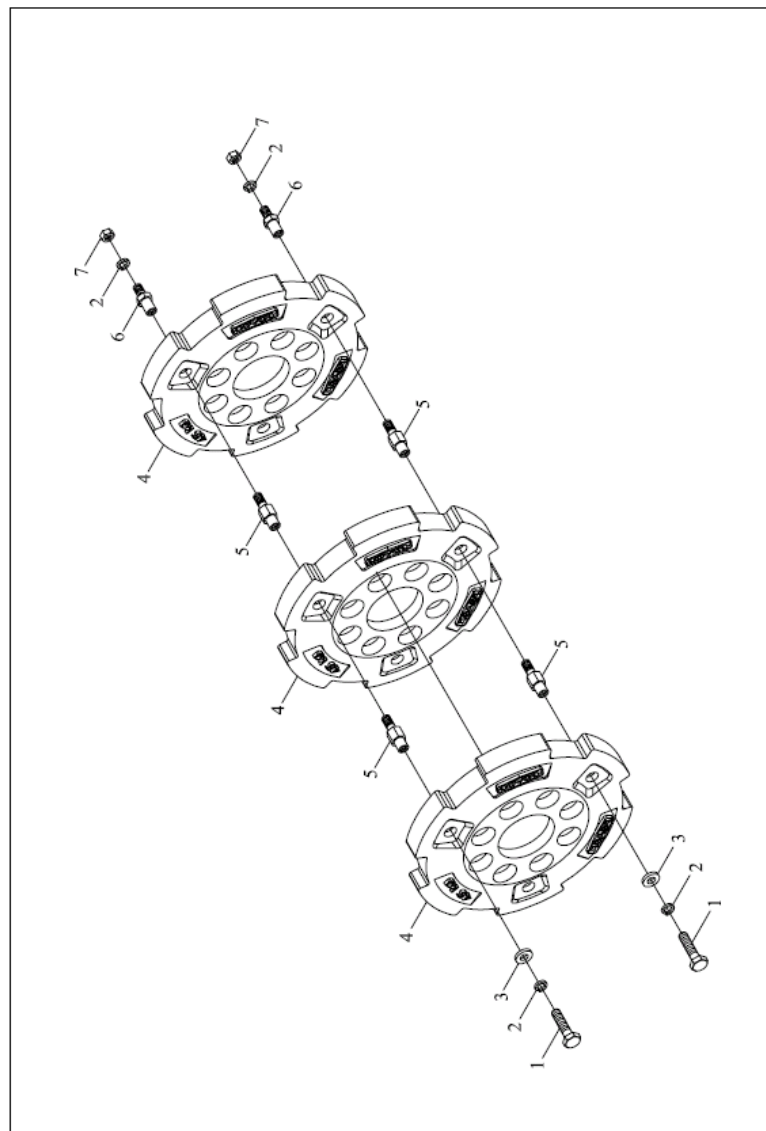
TB400.81 暖风机安装总成



TB400.81 81-暖风机安装总成 81-HEATER INSTALLATION ASSEMBLY

标号 No.	代号 Code	名称 Description		数量 Quantity	备注 Remark
1	FT65.45.990	暖风机总成	UNIT HEATER ASSEMBLY	1	2011-11_
1	FT65.45.990	暖风机总成	UNIT HEATER ASSEMBLY	1	2011-11_
10	TD800.485A-03	固定夹	LOCKING CLAMP	1	2011-11_
11	Q67405200	塑料紧箍带	PLASTIC FASTEN STRIP	1	2011-11_
2	GBT5783-M6X40-8.8-A1L	六角头螺栓	BOLT	4	
3	GBT97.1-6-A0P	平垫圈	WASHER	1	2011-11_
4	GBT93-6-A0P	弹簧垫圈	SPRING WASHER	1	2011-11_
5	GBT6170-M6-A2L	螺母	NUT	1	2011-11_
6	Q676B25	C型蜗杆传动式软管环箍	C-TYPE WORM TRANSMISSION HOSE CLAMP	1	2011-11_
6	Q676B25	C型蜗杆传动式软管环箍	C-TYPE WORM TRANSMISSION HOSE CLAMP	1	2011-11_
7	TG1204.81-07	暖风出水管	WATER OUTLET HOSE OF WARM AIR	1	2011-11_
8	TF1004.81-03	空调暖风进水管	AIR CONDITION WATER INLET PIPE	1	2011-11_
9	TB400.81.1	暖风机进水阀	HEATER WATER INLET VALVE	1	2011-11_

FT300.91.001Rear balance weight assembly



FT300.91.001 91-后配重总成 91-REAR BALLAST ASSEMBLY

标号 No.	代号 Code	名称 Description		数量 Quantity	备注 Remark
1	GBT5783-M16X45-8.8-A3L	六角头螺栓	BOLT	3	2002-09_
2	GBT93-16	垫圈 16	WASHER	6	2003-11_
3	FT650.34.104	垫圈	WASHER	3	2003-11_
4	FT300.91.101	后配重	REAR BALLAST	3	2003-11_
5	FT650.34.103	后配重螺钉	REAR BALANCE WEIGHT SCREW	6	2003-11_
6	FT400.91.102	后配重螺钉	REAR BALANCE WEIGHT SCREW	3	2003-11_
7	GBT6170-M16-A3L	螺母 M16-A3L	NUT	3	2004-01_

