



福田零部件图册
(TB504-2X161Y3C)

福田雷沃重工国际贸易有限公司

目录 CONTENTS

序号 No.	代码 Code	名称 Description		页次 Page
1	A498BT1-6A-1	10.1-机体总成及附件-1	BODY ASSEMBLY AND ACCESSORY-1	1
2	A498BT1-6A-10	10.10-燃油供油系统-10	FUEL SUPPLY SYSTEM ASSEMBLY-10	7
3	A498BT1-6A-11	10.11-机油滤清器总成起动机及充电发		9
4	A498BT1-6A-2	10.2-气缸盖及配气机构	CYLINDER HEAD AND GAS EXCHANGING SYSTEM	11
5	A498BT1-6A-3	10.3-油底壳-3	OIL SUMP ASSEMBLY-3	19
6	A498BT1-6A-4	10.4-活塞连杆总成-4	PISTON CONNECTING ROD ASSEMBLY-4	21
7	A498BT1-6A-5	10.5-曲轴飞轮总成-5	CRANKSHAFT FLYWHEEL ASSEMBLY-5	23
8	A498BT1-6A-6	10.6-正时齿轮传动系总成-6	TIMING GEAR TRAIN ASSEMBLY-6	25
9	A498BT1-6A-7	10.7-气缸盖罩总成	CYLINDER HEAD COVER ASSEMBLY-7	29
10	A498BT1-6A-8	10.8-机油泵机油管路总成-8	OIL PUMP AND OIL PIPE ASSEMBLY-8	31
11	A498BT1-6A-9	10.9-冷却水泵风扇部件-9	COOLING WATER PUMP AND FAN ASSEMBLY-9	35
12	TB500.11B	11-空气滤清系总成	11-AIR CLEANER ASSEMBLY	39
13	TB500.13G-1	13-冷却系总成-1	13-COOLING SYSTEM ASSEMBLY-1	41
14	TB500.13G-2	13-冷却系总成-2	COOLING SYSTEM ASSEMBLY-2	43
15	TB604.201	20.1-手油门总成	20.1-HAND THROTTLE ASSEMBLY	45
16	TB500.202A	20.2-脚油门总成	20.2-FOOT THROTTLE ASSEMBLY	47
17	TB604.203A	20.3-拉线总成	20.3-PULL WIRE ASSEMBLY	49
18	TB550.211A	21.1-离合器总成	21.1-CLUTCH ASSEMBLY	51
19	TB504.212	21.2-离合器操纵机构总成	21.2-CLUTCH CONTROL MECHANISM ASSEMBLY	53
20	TB400.22A	22-排气系总成	22-EXHAUST SYSTEM ASSEMBLY	55
21	TC02311070000	31.1-前驱动桥总成	31.1-FRONT DRIVING AXLE ASSEMBLY	57
22	TB604.311A-1	31.1-前驱动桥总成-1	FRONT DRIVING AXLE ASSEMBLY-1	59
23	TB604.311A-2	31.2-前驱动桥总成-2	FRONT DRIVING AXLE ASSEMBLY-2	61
24	TB604.312A	31.2-托架总成	31.2-BRACKET ASSEMBLY	65
25	TB604.311A-3	31.3-前驱动桥总成-3	FRONT DRIVING AXLE ASSEMBLY-3	67

目录 CONTENTS

序号 No.	代码 Code	名称 Description		页次 Page
26	TB604.311A-4	31.4-前驱动桥总成-4	FRONT DRIVING AXLE ASSEMBLY-4	71
27	TB604.311A-5	31.5-前驱动桥总成-5	FRONT DRIVING AXLE ASSEMBLY-5	75
28	TB604.311A-6	31.6-前驱动桥总成-6	FRONT DRIVING AXLE ASSEMBLY-6	77
29	TB604.311A-7	31.7-前驱动桥总成-7	FRONT DRIVING AXLE ASSEMBLY-7	79
30	TB504.34	34-后驱动轮总成	34-REAR DRIVE WHEEL ASSEMBLY	81
31	TB400.35	35-总牵引机构总成	35-MAIN TRACTION MECHANISM ASSEMBLY	83
32	TB550.371G	37.1-变速箱壳体总成	37.1-GEARBOX HOUSING ASSEMBLY	85
33	TB550.373A	37.3-副变速总成	37.3-AUXILIARY GEARSHIFT ASSEMBLY	87
34	TB520.374B-1	37.4.1变速箱操纵机构总成-1	37.4TRANSMISSION CONTROL MECHANISM	89
35	TB520.374B-2	37.4.2变速箱操纵机构总成-2	GEARBOX CONTROL MECHANISM ASSEMBLY-2	93
36	TB554.382-1	38.2.1-后桥中央传动总成-1	REAR AXLE CENTRAL TRANSMISSION ASSEMBLY-1	97
37	TB554.382-2	38.2.2-后桥中央传动总成-2	REAR AXLE CENTRAL TRANSMISSION ASSEMBLY-2	99
38	TB554.383C	38.3-差速器操纵机构总成	38.3-DIFFERENTIAL CONTROL MECHANISM ASSEMBLY	101
39	TB554.384	38.4-后桥壳体总成	38.4-REAR AXLE HOUSING ASSEMBLY	103
40	TB504.385	38.5-梭式换挡机构总成	38.5-SHUTTLE SHIFT MECHANISM ASSEMBLY	105
41	TB550.391A	39.1-左最终传动总成	39.1-LEFT FINAL TRANSMISSION ASSEMBLY	109
42	TB550.392A	39.2-右最终传动总成	39.2-RIGHT FINAL TRANSMISSION ASSEMBLY	113
43	TB504.402C-1	40.1-全液压转向管路总成-1	FULL HYDRAULIC STEERING PIPE ASSEMBLY-1	117
44	TB604.401D	40.1-转向器及转向管柱总成	40.1-REDIRECTOR OR STEERING COLUMN ASSEMBLY	121
45	TB504.402C-2	40.2-全液压转向管路总成-2	FULL HYDRAULIC STEERING PIPE ASSEMBLY-2	123
46	TB550.411A	41.1-动力输出总成	41.1-PTO ASSEMBLY	125
47	TB480.413A	41.3-动力输出操纵总成	41.3-PTO CONTROL ASSEMBLY	129
48	TB604.421A	42.1-分动箱箱体总成	42.1-TRANSFER CASE HOUSING ASSEMBLY	133
49	TB554.422B	42.2-分动箱传动总成	42.2-TRANSFER CASE TRANSMISSION ASSEMBLY	137
50	TB604.423	42.3-分动箱操纵机构总成	42.3-TRANSFER CASE CONTROL MECHANISM	139

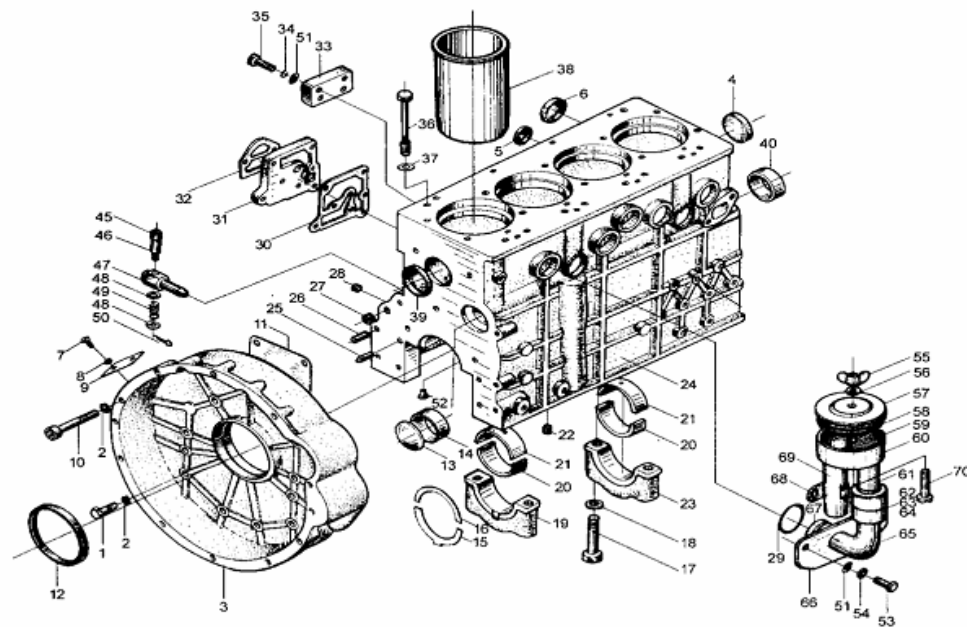
目录 CONTENTS

序号 No.	代码 Code	名称 Description		页次 Page
51	TB604.431D	43.1-左制动器总成	43.1-LEFT BRAKE ASSEMBLY	141
52	TB604.432D	43.2-右制动器总成	43.2-RIGHT BRAKE ASSEMBLY	143
53	TB604.433D-1	43.3.1-制动器操纵机构总成-1	BRAKE CONTROL MECHANISM ASSEMBLY-1	145
54	TB604.433D-2	43.3.2-制动器操纵机构总成-2	BRAKE CONTROL MECHANISM ASSEMBLY-2	147
55	TB400.44L	44-座椅安装总成	44SEAT INSTALLATION ASSEMBLY	151
56	TB604.452C-1	45.2.1-地板总成-1	FLOOR ASSEMBLY-1	153
57	TB604.452C-2	45.2.2-地板总成-2	FLOOR ASSEMBLY-2	157
58	TB400.454B	45.4-前挡泥板总成	45.4-FRONT MUD GUARD ASSEMBLY	159
59	TB604.454	45.4-后视镜安装总成	45.4-REARVIEW MIRROR INSTALLATION ASSEMBLY	161
60	TB604.458B	45.8-后连接总成	45.8-REAR CONNECTING ASSEMBLY	163
61	TB604.461C	46.1-中置安全架	46.1-MIDDLE PLACE SAFTY FRAME	165
62	TB604.462C	46.2-辅助安全架总成	46.2-ASSISTANT SAFTY FRAME ASSEMBLY	167
63	TB604.471C	47.1-机罩装配总成	47.1-BONNET INSTALLATION ASSEMBLY	169
64	TB604.472B	47.2-机罩下尾板安装总成	47.2-BONNET LOW TAIL PLATE MOUNTING ASSEMBLY	171
65	TB604.473B	47.3-机罩锁紧装置总成	47.3-BONNET LOCKING DEVICE ASSEMBLY	173
66	TB450.481H	48.1-发动机线束安装总成	48.1-ENGINE HARNESS INSTALLATION ASSEMBLY	175
67	TB450.482M	48.2-车身线束安装总成	48.2-BODY HARNESS INSTALLATION ASSEMBLY	177
68	TB450.483C	48.3-前灯线束安装总成	48.3-FRONT LAMP HARNESS INSTALLATION	179
69	TB450.484X	48.4-后灯线束安装总成	48.4-REAR LAMP HARNESS INSTALLATION ASSEMBLY	181
70	TB450.485A	48.5-蓄电池安装总成	48.5-BATTERY INSTALLATION ASSEMBLY	183
71	TB400.487	48.7-组合仪表总成	48.7-COMBINED INSTRUMENT ASSEMBLY	185
72	FT300.49.001	49-工具箱总成	49-TOOL BOX ASSEMBLY	187
73	TB550.50G	50-油箱装配总成		189
74	TB500.53B	53-拖挂装置装配总成	53-TOW EQUIPMENT INSTALLATION ASSEMBLY	191
75	TB504.551B-1	55.1-提升器装配总成-1	LIFTER INSTALLATION ASSEMBLY-7-1	193

目录 CONTENTS

序号 No.	代码 Code	名称 Description		页次 Page
76	TB504.552B	55.2-提升器操纵机构总成	55.2-LIFTER CONTROL MECHANISM ASSEMBLY	197
77	TB504.551B-2	55.2-提升器装配总成-2	LIFTER INSTALLATION ASSEMBLY-7-2	199
78	TB504.551B-3	55.3-提升器装配总成-3	LIFTER INSTALLATION ASSEMBLY-7-3	201
79	TB504.551B-4	55.4-提升器装配总成-4	LIFTER INSTALLATION ASSEMBLY-4	205
80	TB504.551B-5	55.5-提升器装配总成-5	LIFTER INSTALLATION ASSEMBLY-5	207
81	TB504.551B-6	55.6-提升器装配总成-6	LIFT ASSEMBLY-6	211
82	TB504.551B-7	55.7-提升器装配总成-7	LIFT ASSEMBLY-7	213
83	TB500.56B-1	56.1-悬挂机构总成-1	SUSPENSION MECHANISM ASSEMBLY-1	217
84	TB500.56B-2	56.2-悬挂机构总成-2	SUSPENSION MECHANISM ASSEMBLY-2	219
85	TB504.581B	58.1-油泵油管滤油器总成	58.1-OIL PUMP/PIPE/FILTER ASSEMBLY	223
86	TB604.582C	58.2-多路阀油管及操纵机构总成	58.2-MULTI-WAY VALVE OIL PIPE OR CONTROL	225
87	TA600.62ZC	62-安全带	62-SAFETY BELT	229
88	TB404.74A	74-前配重总成	74-FRONT BALLAST ASSEMBLY	231
89	TB400.74B	74-前配重架总成	74-FRONT BALLAST BRACKET ASSEMBLY	233
90	TB400.91C	91-后配重总成	91-REAR BALLAST ASSEMBLY	235
91	TB550.372-1	主变速总成-1	MAIN TRANSMISSION ASSEMBLY-1	237
92	TB550.372-2	主变速总成-2	MAIN TRANSMISSION ASSEMBLY-2	241

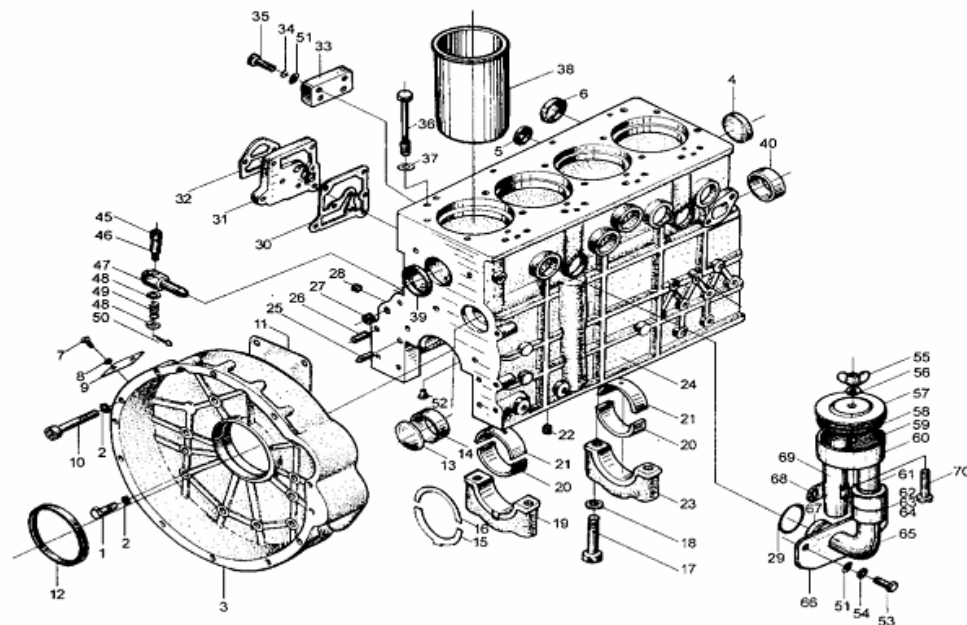
机体总成及附件 Body assembly and accessory



A498BT1-6A-1 10.1-机体总成及附件-1 BODY ASSEMBLY AND ACCESSORY-1

标号 No.	代号 Code	名称 Description		数量 Quantity	备注 Remark
1	GBT5783-M12X32	六角头螺栓	BOLT	4	2011-11_
1	GBT5783-M12X32	六角头螺栓	BOLT	4	2011-11_
10	GBT70-M12X90	内六角圆柱头螺钉	SCREW	2	2011-11_
11	490BT-13004	飞轮壳垫片	FLYWHEEL HOUSING GASKET	1	2011-11_
12	100X125X12	油封王	OIL SEAL	1	2011-11_
13	490B-01009	堵塞58	PLUG 58	1	
14	495B-01008A	后凸轮轴衬套	REAR CAMSHAFT BUSH	1	2011-11_
15.16	495B-01022A/01026A	止推片	THRUST SHIM	2	
17	A498B-01019A	主轴承螺栓	MAIN BEARING BOLT	10	
18	490B-01018	主轴承螺栓垫圈	MAIN BEARING BOLT WASHER	10	2011-11_
19	A498B-01023	后主轴承盖	REAR MAIN BEARING COVER	1	2011-11_
2	GBT93-12	垫圈	WASHER	8	2011-11_
20.21	495B-01033A/01034A	主轴瓦总成	MAIN BEARING	4	
22	490B-01027	堵塞	PLUG	1	2011-11_
23	A498B-01032	主轴承盖	MAIN BEARING COVER	4	2011-11_
24	A498B-01001	机体	BLOCK	1	2011-11_
24	A498B-01001	机体	BLOCK	1	2011-11_
25	GBT119.2-B8X20	圆柱销	PIN	2	2011-11_
26	GBT119.2-B10X25	圆柱销	PIN	2	2011-11_
27	490B-01080	碗形塞片15	BOWL SHIM 15	2	
28	490B-01029	螺塞R1/8	SCREW PLUG R1/8	6	
29	490B-34009	O型密封圈	O RING	1	2011-11_
3	490BT-13001	飞轮壳	Flywheel Housing	1	2011-11_
30	490B-01071	机油滤座垫片	OIL FILTER GASKET	1	2011-11_
31	490B-01072	机油滤座垫板	OIL FILTER BACK PLATE	1	2011-11_

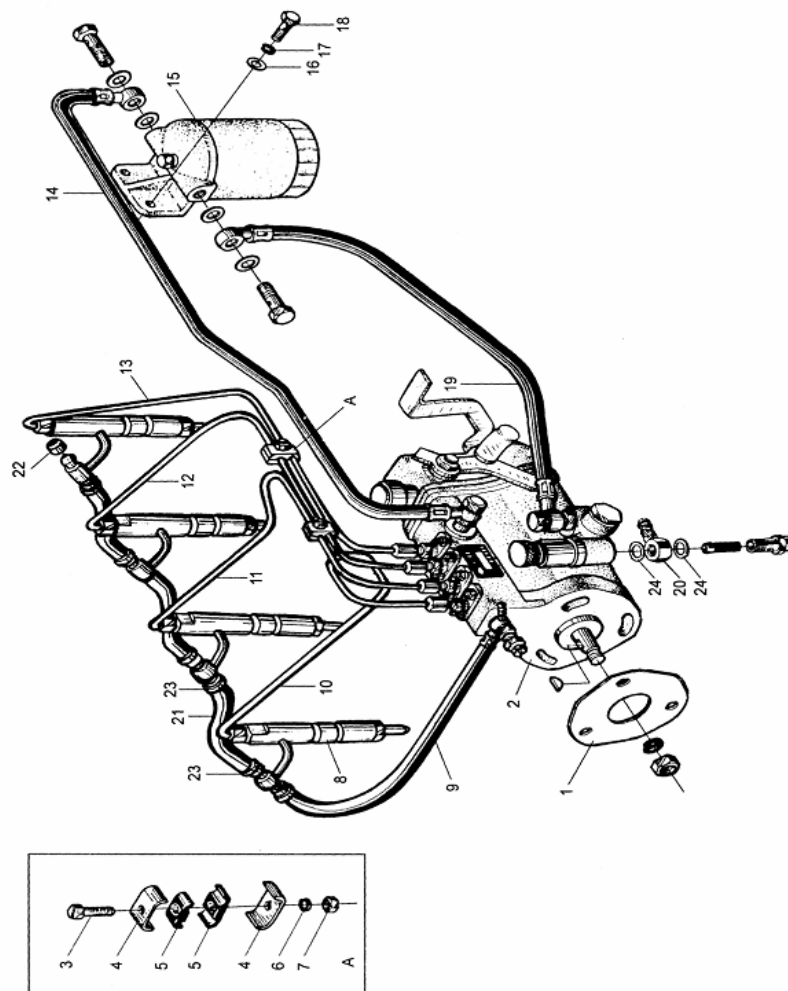
机体总成及附件 Body assembly and accessory



A498BT1-6A-1 10.1-机体总成及附件-1(续)

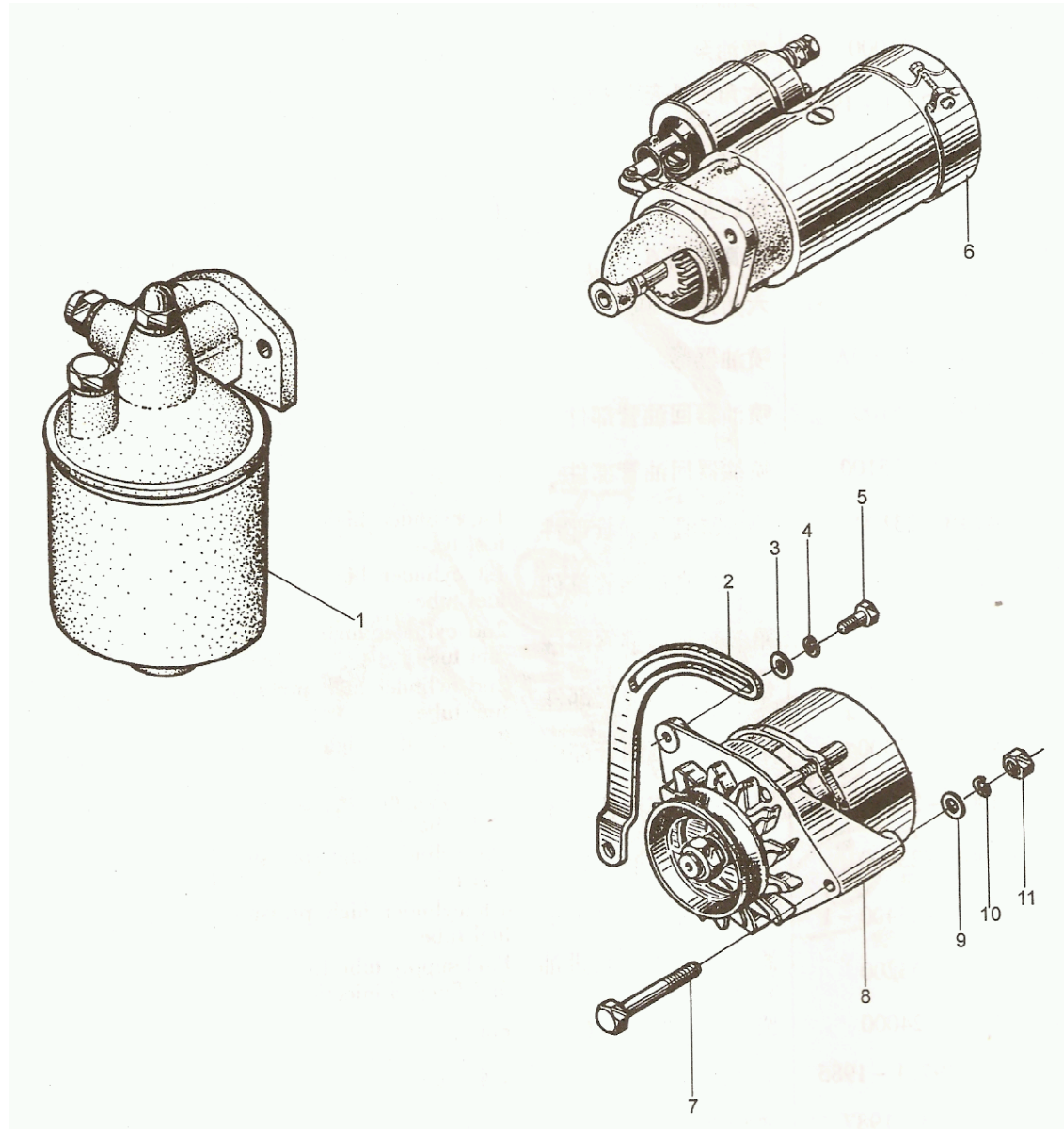
标号 No.	代号 Code	名称 Description		数量 Quantity	备注 Remark
32	490B-01073	机油滤清器垫片	OIL FILTER GASKET	1	2011-11_
33	490B-01076B	柴油滤清器垫板	FUEL FILTER BACK PLATE	1	2011-11_
34	GBT93-8	垫圈8	WASHER 8	11	2011-11_
35	GBT5783-M8X22	六角头螺栓	BOLT	4	2011-11_
36	490B-01002A	气缸盖螺栓(甲)	CYLINDER COVER BOLT (1)	14	2011-11_
36	490B-01003A	气缸盖螺栓(乙)	CYLINDER COVER BOLT (2)	4	2011-11_
37	490B-01044	气缸盖螺栓垫圈	CYLINDER COVER BOLT WASHER	18	
38	A498B-01005	气缸套	CYLINDER LINER	4	2011-11_
39	495B-01050	碗形塞片60		1	
4	495B-01047	碗形塞片50	BOWL SHIM 50	1	
40	495B-01007A	凸轮轴衬套	CAMSHAFT BUSH	2	2011-11_
41	490B-01012	进水管垫片	WATER INLET PIPE GASKET	1	2011-11_
42	A490BZL-01082-1	进水口盖板	COVER PLATE	1	2011-11_
43	GBT5783-M8X22	六角头螺栓	BOLT	2	2011-11_
44	490BT-01100	放水开关总成	DRAIN SWITCH ASSEMBLY	1	2011-11_
45	HG4-404-82	放水胶管	DRAIN PIPE	1	2011-11_
46	490BT-01105	放水胶管固定架	DRAIN PIPE FIXING BRACKET	1	2011-11_
5	490B-03017	碗形塞片20		3	
52	495B-01015	机油喷咀	OIL INJECTOR	4	2011-11_
53	GBT5783-M8X16	螺栓	BOLT	2	2011-11_
54	GBT5783-M8X30	六角头螺栓	BOLT	5	2011-11_
55	490B-34000C	呼吸器总成		1	2011-11_
6	490B-01079	碗形塞片40	BOWL SHIM 40	10	
7	GBT67-M6X10	开槽盘头螺钉	SLOTTED PAN HEAD SCREW	2	2011-11_
8	GBT93-6	垫圈	WASHER	2	2011-11_

A490BT、C490BT 燃油供油系统 Fuel supply system assembly



A498BT1-6A-10 10.10-燃油供油系统-10 FUEL SUPPLY SYSTEM ASSEMBLY-10

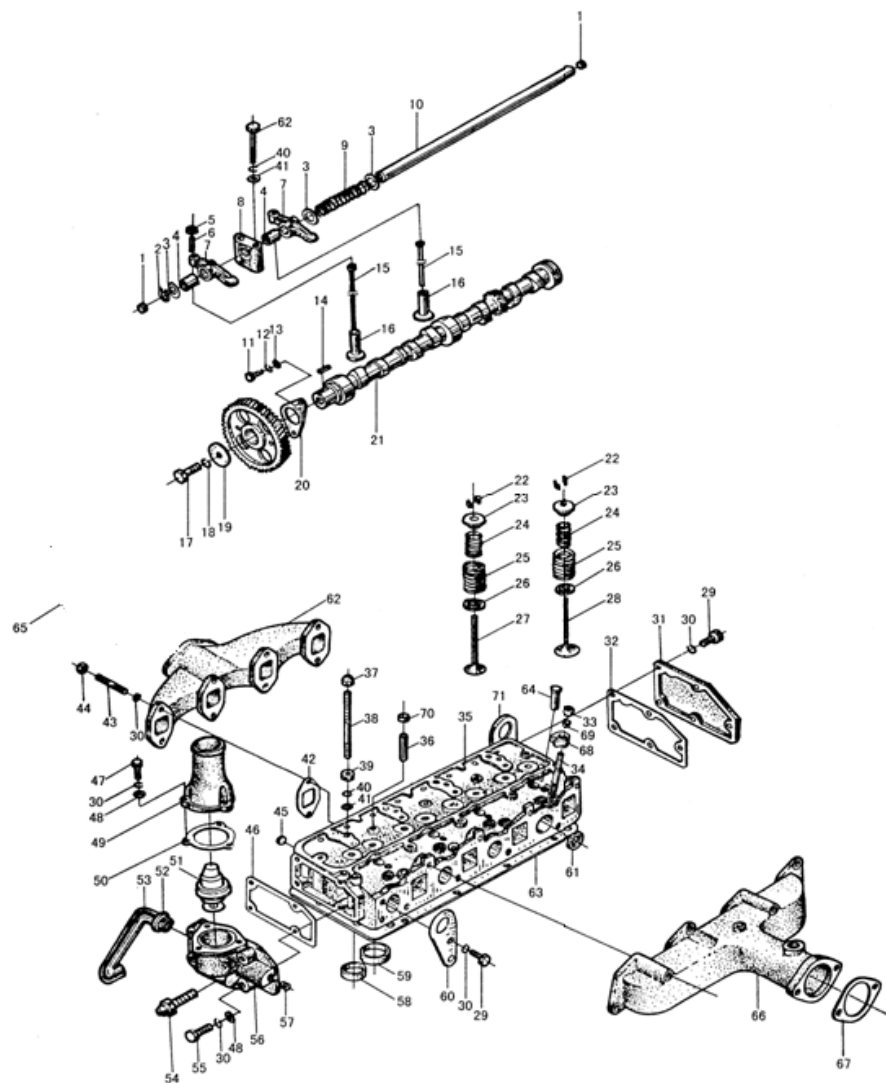
标号 No.	代号 Code	名称 Description	数量 Quantity	备注 Remark
1	490B-16011-1	喷油泵法兰垫片	1	2011-11_
10	A490B-23100	第一缸高压油管部件	1	2011-11_
11	A490B-23200	第二缸高压油管部件	1	2011-11_
12	A490B-23300	第3缸高压油管部件	1	2011-11_
13	A490B-23400	第四缸高压油管部件	1	2011-11_
14	490B-25200	滤清器至喷油泵进油管部件	1	2011-11_
15	490B-24000A	柴油滤清器总成	1	2011-11_
16	GBT97.1-8	垫圈	2	2011-11_
17	GBT93-8	垫圈8	2	2011-11_
18	GBT5783-M8X30	六角头螺栓	2	2011-11_
19	490B-25300	输油泵至滤清器进油管部件	1	2011-11_
2	B253D-1	喷油泵	1	2011-11_
20	490B-25401	输油泵进油接头	1	
21	498B-25002	喷油器回油胶管	3	2011-11_
22	498B-25001	喷油器回油防漏帽	1	2011-11_
23	498B-25004	环箍	10	2011-11_
24	A490B-22001	铜垫	4	2011-11_
25	DZXH12B-12V	电熄火器	1	2011-11_
3	GBT29.1-M6X25	六角头头部带槽螺栓	3	2011-11_
4	490B-23501	卡箍	6	2011-11_
5	490B-23502	橡胶垫	6	2011-11_
6	GBT93-6	垫圈	3	2011-11_
7	GBT6172-M6	六角薄螺母	3	2011-11_
8	A490B-22000	喷油器总成	4	2011-11_
9	C490BT-25400-3	喷油器回油管部件	1	2011-11_



A498BT1-6A-11 10.11-机油滤清器总成起动电机及充电发电机总成-11 OIL FILTER、STARTING AND
GENERATOR ASSEMBLY -11

标号 No.	代号 Code	名称 Description		数量 Quantity	备注 Remark
1	490B-32000B	机油滤清器总成	OIL FILTER ASSEMBLY	1	2011-11_
1.1	JX85100C	机油滤芯	ROLLING WHEEL	0	2011-11_
10	GBT93-10	垫圈10	WASHER 10	1	2011-11_
11	GBT6170-10	螺母	NUT	1	2011-11_
12	490BT-53005	发电机皮带轮保护罩	COVER	1	2011-11_
2	495BT-53001-1	发电机撑架	GENERATOR BRACKET	1	2011-11_
3	GBT97.1-8	垫圈	WASHER	1	2011-11_
4	GBT97.1-8	垫圈	WASHER	1	2011-11_
5	GBT5783-M8X25	螺栓	BOLT	1	2011-11_
6	QDJ1409	起动电机	Motor Starter	1	2011-11_
8	JF15	发电机	GENERATOR	1	
9	GBT97.1-10	垫圈10	WASHER 10	1	2011-11_

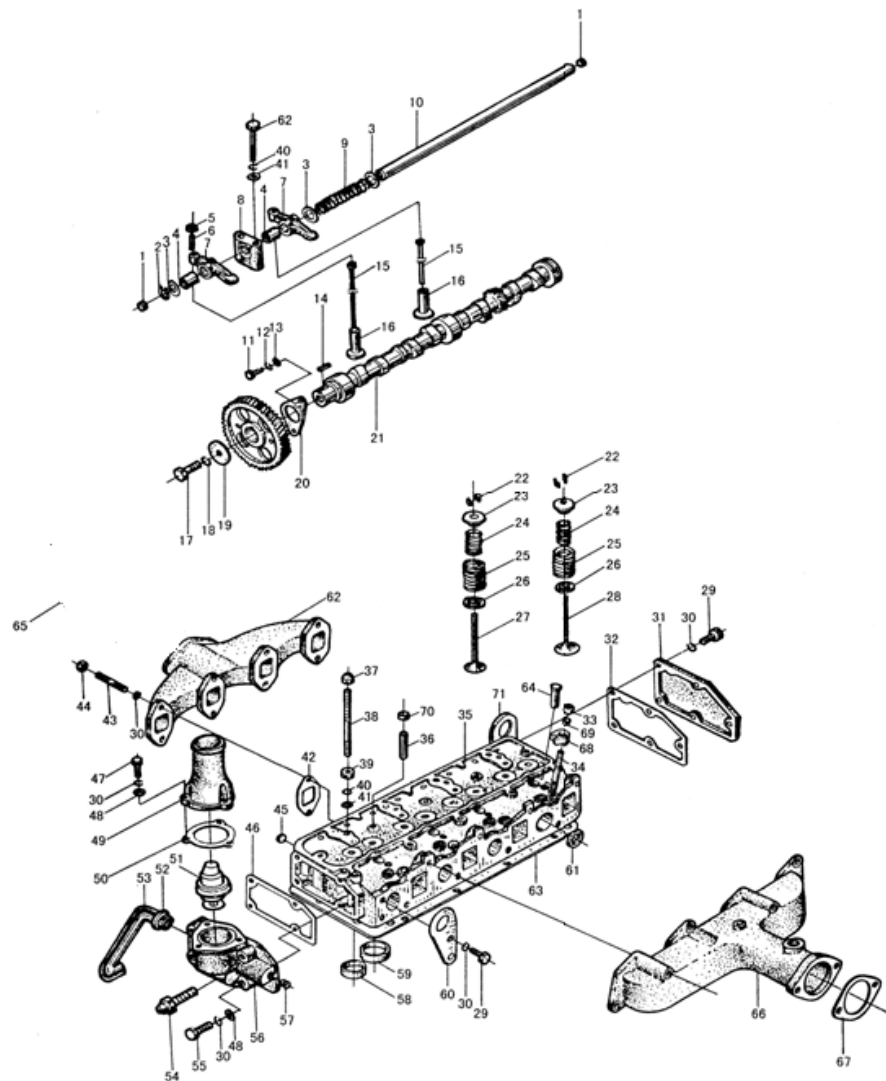
气缸盖及配气机构
Cylinder head and gas exchanging system assembly



A498BT1-6A-2 10.2-气缸盖及配气机构 CYLINDER HEAD AND GAS EXCHANGING SYSTEM ASSEMBLY-2

标号 No.	代号 Code	名称 Description		数量 Quantity	备注 Remark
0	490B-03200	气门摇臂轴部件	VALVE ROCKER SHAFT ASSEMBLY	1	2011-11_
1	490B-03018	碗形塞片	PLUG PIECE	2	
10	490B-03204	气门摇臂轴	VALVE ROCKER SHAFT	1	2011-11_
11	GBT5783-M8X18	六角头螺栓	BOLT	9	
12	GB93-87	标准型弹簧垫圈	WASHER	9	
13	GBT97.1-8	垫圈	WASHER	2	2011-11_
14	GBT1096-C8X22	平键	FLAT KEY	1	2011-11_
15	495B-06003	气门推杆	VALVE PUSH ROD	8	2011-11_
15	495B-06003	气门推杆	VALVE PUSH ROD	8	2011-11_
16	490B-06002	气门挺柱	VALVE TAPPET	8	2011-11_
17	GBT5782-M12X45	六角头螺栓	BOLT	1	2011-11_
18	GBT93-12	垫圈	WASHER	1	2011-11_
19	490B-02011	凸轮轴正时齿轮压板	CAMSHAFT TIMING GEAR PRESSURE PLATE	1	2011-11_
2	GBT894.1-20	挡圈20	BLCKING RING	2	2011-11_
20	490B-02008	凸轮轴止推板	CAMSHAFT THRUST PLATE	1	2011-11_
21	495B-06001	凸轮轴	CAMSHAFT	1	
22	490B-03006	气门锁夹	LOCK	16	2011-11_
23	490B-03007	气门弹簧上座	VALVE SPRING UPPER SEAT	8	2011-11_
24	490B-03005	气门内弹簧	INNER VALVE SPRING	8	2011-11_
25	490B-03004	气门外弹簧	OUTER VALVE SPING	8	2011-11_
26	490B-03011	气门弹簧下座	VALVE SPRING LOWER SEAT	8	2011-11_
27	495B-03015	排气门	EXHAUST VALVE	4	2011-11_
28	A498B-03014	进气门	AIR INLET VALVE	4	2011-11_
3	GBT848-20	小垫圈	WASHER	8	2011-11_
30	GBT93-8	垫圈8	WASHER 8	17	2011-11_

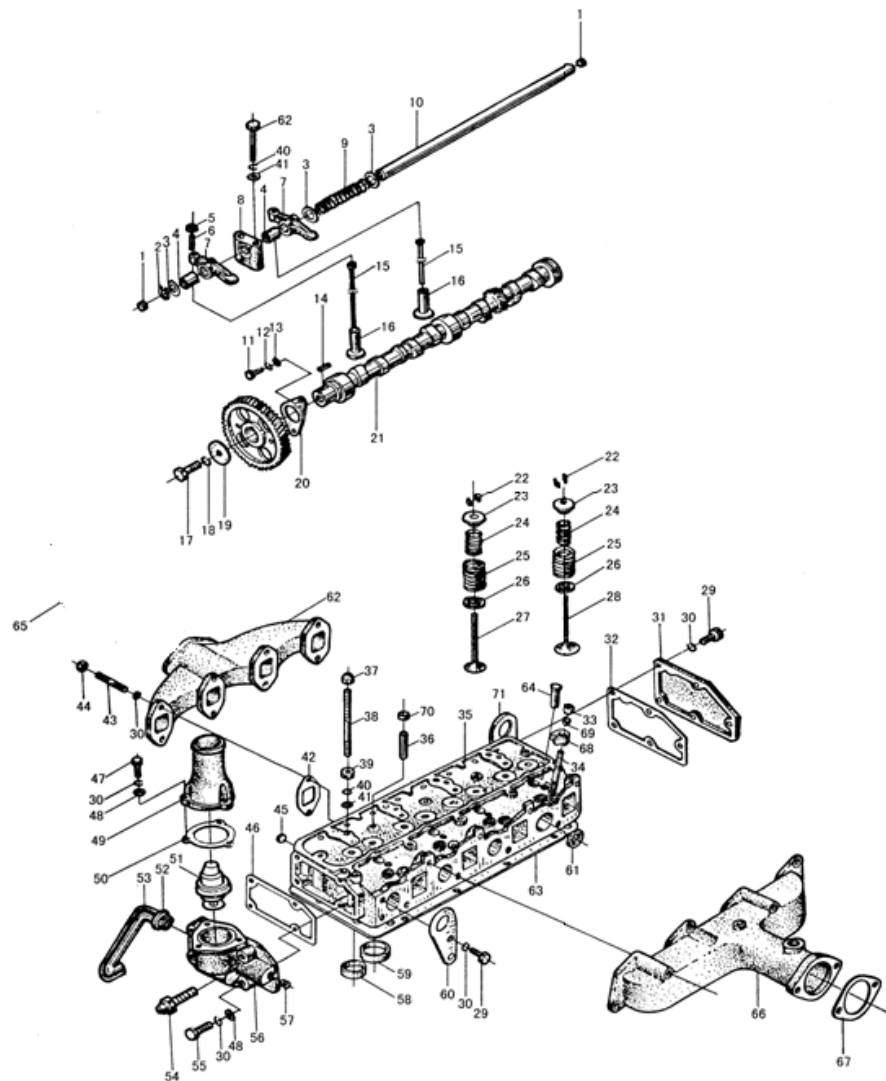
气缸盖及配气机构
Cylinder head and gas exchanging system assembly



A498BT1-6A-2 10.2-气缸盖及配气机构(续)

标号 No.	代号 Code	名称 Description	数量 Quantity	备注 Remark
31	490B-03012	后端盖	1	2011-11_
32	490B-03013A	后端盖垫片	1	2011-11_
33	GBT56-88	螺母	8	
34	A490BZL-03017	喷油器紧固螺栓	4	2011-11_
35	A498B-03101-1	气缸盖	1	2011-11_
36	490B-03102	气门导管	8	2011-11_
37	GBT923-M8	盖形螺母	4	
38	490B-03001A	气门摇臂支座螺柱	4	2011-11_
39	GBT6170-M10	螺母M10	4	
4	490B-03212A	气门摇臂衬套	8	2011-11_
40	GB93-87-10	标准型弹簧垫圈	4	2011-11_
41	GB97.1-85D10	平垫10	4	
42	495B-03003	排气管衬垫	4	2011-11_
43	GBT899-AM8-M8X25	双头螺柱	8	
43	GBT899-AM8-M8X25	双头螺柱	8	
44	GBT6170-M8	螺母M8	8	
45	490B-03103	堵塞	1	
46	490B-43005	节温器壳垫片	1	2011-11_
47	GBT5783-M8X25	螺栓	3	2011-11_
48	GBT97.1-8	垫圈	7	2011-11_
49	490BT-43001	节温器盖	1	2011-11_
5	GBT6171-M8X1	M8X1 I型六角螺母	8	2011-11_
5	GBT6171-M8X1	M8X1 I型六角螺母	8	2011-11_
50	490B-43003	节温器盖垫片	1	2011-11_
51	490B-43002	节温器	1	2011-11_

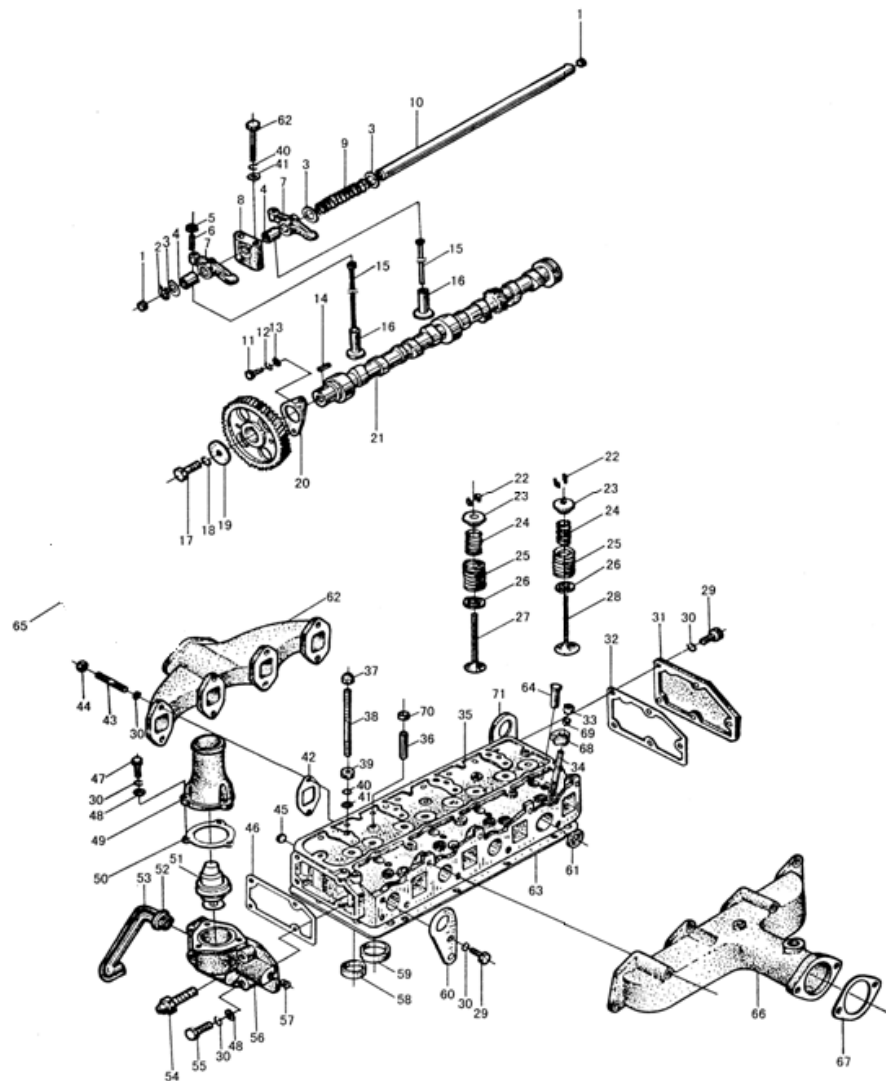
气缸盖及配气机构
Cylinder head and gas exchanging system assembly



A498BT1-6A-2 10.2-气缸盖及配气机构(续)

标号 No.	代号 Code	名称 Description		数量 Quantity	备注 Remark
52	490B-01074	接管	CONNECTING TUBE	1	2011-11_
53	490BT-43007	小循环水管	WATER PIPE	1	2011-11_
55	GBT5782-M8X35	六角头螺栓	BOLT	4	2011-11_
56	490B-43101-2	节温器壳	THERMOSTAT HOUSING	1	2011-11_
57	490B-43008	螺塞NPT3/8	SCREW PLUG	1	
58	495B-03108	排气门座	INSERT-VALVE SEAT(OUTLET)	4	2011-11_
59	A498B-03107	进气门座	AIR INLET VALVE SEAT	4	2011-11_
6	490B-03201	气门间隙调整螺钉	VALVE CLEARANCE ADJUSTING SCREW	8	2011-11_
60	490BT-03300	散热器拉杆固定支架焊接件	FIXING BRACKET	1	2011-11_
61	490B-01078	碗形塞片 30	PLUG 30	1	
62	490BT-08001-2	排气管	EXHAUST PIPE	1	2011-11_
63	A498B-01004	气缸盖衬垫	CYLINDER HEAD BUSH	1	2011-11_
63	A498B-01004	气缸盖衬垫	CYLINDER HEAD BUSH	1	2011-11_
64	A490B-03109	喷油器套管	SLEEVE TUBE	4	2011-11_
66	490B-09001	进气管衬垫	AIR INLET PIPE GASKET	1	2011-11_
66	490BT-09003	进气接管	AIR INLET CONNECTING PIPE	1	2011-11_
66	490B-09002	进气管	AIR INLET PIPE	1	2011-11_
67	490B-09004	进气总管纸垫	AIR INLET PIPE PAPER GASKET	1	2011-11_
67	490B-09004	进气总管纸垫	AIR INLET PIPE PAPER GASKET	1	2011-11_
68	A490B-03016A	喷油器压板	OIL INJECTOR PRESSURE PLATE	4	2011-11_
69	GBT849-M10	球面垫圈	BALL WASHER	4	2011-11_
7	490B-03211A	气门摇臂	VALVE ROCKER	8	2011-11_
70	A490BZL-03016	气门导管油封	VALVE SEAL	8	2011-11_
71	490B-03009A	吊耳	BRACKET,LIFTING	1	2011-11_
71	A490B-55001	预热塞	PREHEATING PLUG	4	2011-11_

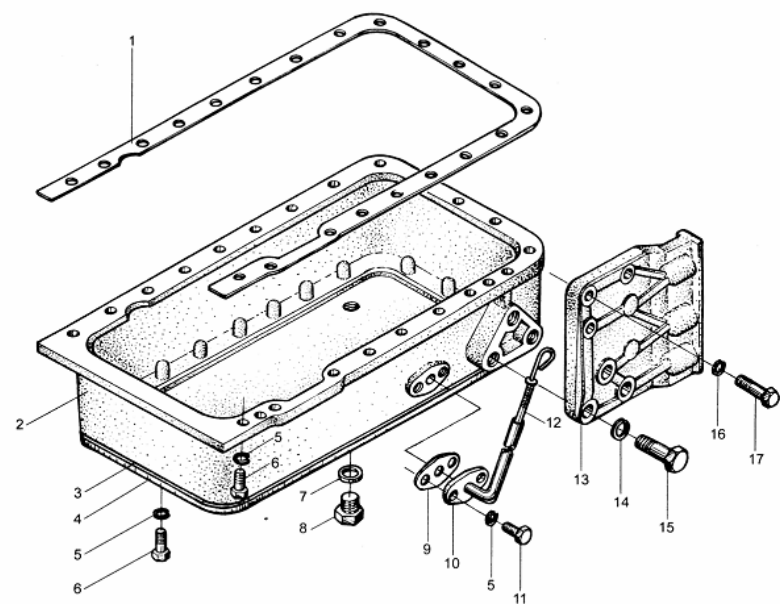
气缸盖及配气机构
Cylinder head and gas exchanging system assembly



A498BT1-6A-2 10.2-气缸盖及配气机构(续)

标号 No.	代号 Code	名称 Description		数量 Quantity	备注 Remark
71	A490B-55100	电热塞连接部件	HEAT PLUG CONNECTING PARTS	1	2011-11_
8	490B-03202	气门摇臂轴支座	SEAT	4	2011-11_
9	490B-03203	气门摇臂轴弹簧	SPRING	3	2011-11_

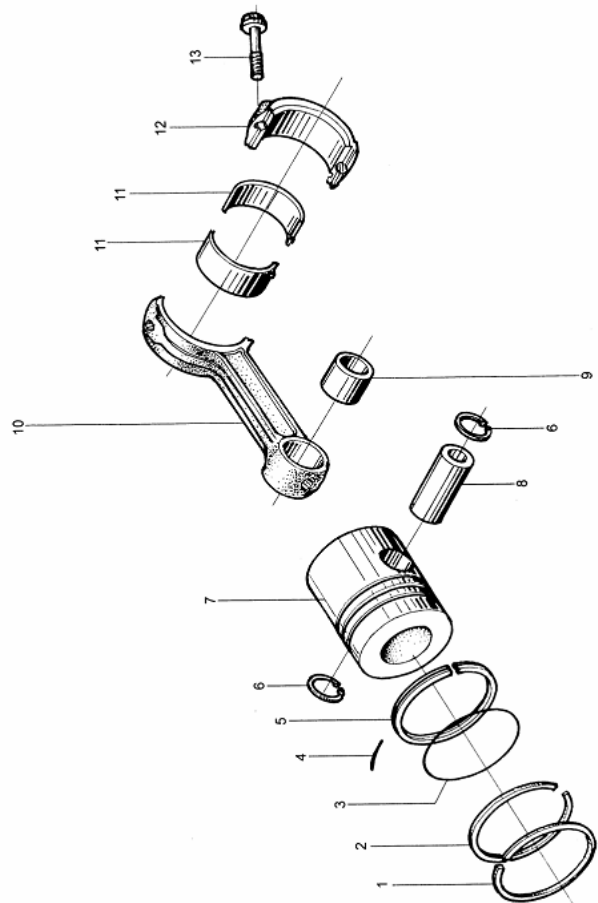
油底壳总成 Oil sump assembly



A498BT1-6A-3 10.3-油底壳-3 OIL SUMP ASSEMBLY-3

标号 No.	代号 Code	名称 Description		数量 Quantity	备注 Remark
0	495BT-15001R	发动机前支架	ENGINE FRONT BRACKET	1	2011-11_
1	490BT-07002A	油底壳垫片	OIL SUMP GASKET	11	2011-11_
10	490BT-07300	机油标尺套客焊接件	OIL DIPSTICK PIPE	1	2011-11_
11	GBT5783-M8X20	螺栓	BOLT	2	2011-11_
11	GBT5783-M8X20	螺栓	BOLT	2	2011-11_
12	490B-07200	机油标尺部件	OIL DIPSTICK	1	2011-11_
13	495BT-15001L	发动机前支架	ENGINE FRONT BRACKET	2	2011-11_
14	GBT93-18	垫圈	WASHER	4	2011-11_
15	490BT-07800	侧支架螺栓	SIDE BRACKET BOLT	4	2011-11_
16	GBT93-10	垫圈10	WASHER 10	6	2011-11_
17	GBT5782-M10X45	六角头螺栓	BOLT	6	2011-11_
2	495BT-07106A	油底壳	OIL SUMP	1	2011-11_
2	495BT-07106A	油底壳	OIL SUMP	1	2011-11_
3	490BT-07004	油底壳底板垫片	OIL SUMP GASKET	1	2011-11_
4	490BT-07003	油底壳底板	OIL SUMP BOTTOM PLATE	1	2011-11_
5	GBT93-8	垫圈8	WASHER 8	41	2011-11_
6	GBT5783-M8X25	螺栓	BOLT	39	2011-11_
7	JB982-20	组合垫圈	COMBINED GASKET	1	2011-11_
8	JB2343-M20X1.5	六角头磁性螺塞	HEXAGON MAGNETISM PLUG	1	
9	490BT-07303	机油标尺套管垫	GASKET	1	2011-11_

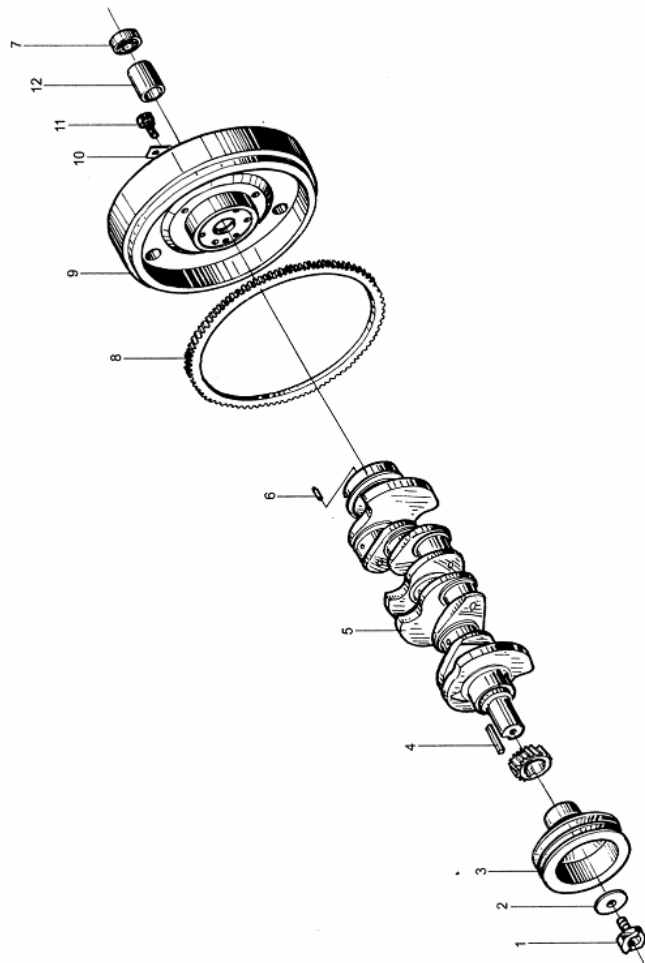
活塞连杆总成 Piston connecting rod assembly



A498BT1-6A-4 10.4-活塞连杆总成-4 PISTON CONNECTING ROD ASSEMBLY-4

标号 No.	代号 Code	名称 Description		数量 Quantity	备注 Remark
1.5	498B-04002 (出口)	活塞环总成	PISTON RING ASSEMBLY	4	
11	495B-04005-1A	连杆轴瓦	CONNECTING ROD BEARING	8	2011-11_
6	GBT893.1-34	孔用弹性挡圈	SNAP RING	8	2011-11_
7	A498B-04001-1A	活塞总成	PISTON	4	2011-11_
8	A498B-04004A	新柴 活塞销	GUDGEON	4	2011-11_
9	A498B-04200	连杆总成	CONNECTING ROD ASSEMBLY	4	

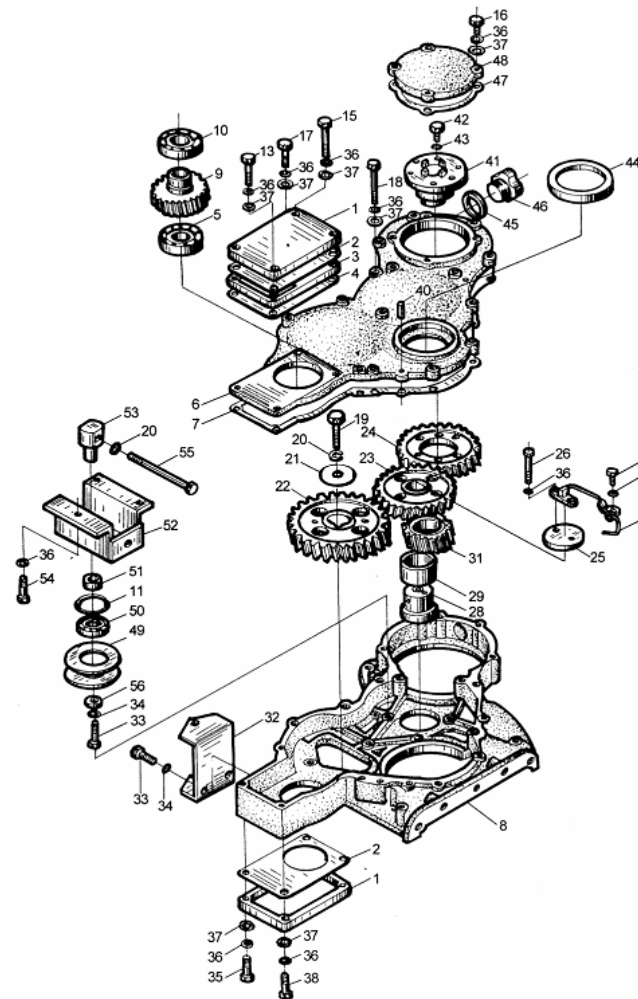
曲轴飞轮总成 Crankshaft flywheel assembly



A498BT1-6A-5 10.5-曲轴飞轮总成-5 CRANKSHAFT FLYWHEEL ASSEMBLY-5

标号 No.	代号 Code	名称 Description		数量 Quantity	备注 Remark
1	490B-05008	起动爪	STARTING CLAW	1	2011-11_
10	490B-05001	飞轮螺栓保险片	FLYWHEEL BOLT SAFETY PIECE	1	2011-11_
11	490BT-05002C	飞轮螺栓	FLYWHEEL BOLT	1	2011-11_
12	490BT-05120C	飞轮轴承挡圈	FLYWHEEL BEARING RETAINER RING	1	2011-11_
2	490B-05007	起动爪垫圈	STARTING CLAW WASHER	1	
3	490BT-05006-1	曲轴V带轮	CRANKSHAFT V-BELT	1	2011-11_
4	GBT1096-A12X63	平键	FLAT KEY	1	2011-11_
5	495B-05004A	曲轴	CRANK SHAFT	1	2011-11_
6	GBT119.2-B10X24	圆柱销	PIN	1	2011-11_
7	GBT278-6204-2Z	轴承	BEARING	1	2011-11_
8	490BT-05100-2	飞轮齿圈部件	FLYWHEEL RING GEAR ASSEMBLY	1	2011-11_
8	490B-05102	飞轮齿圈	GEAR RING OF FLYWHEEL	1	2011-11_
9	490BT-05101-2	飞轮	FLYWHEEL	1	2011-11_

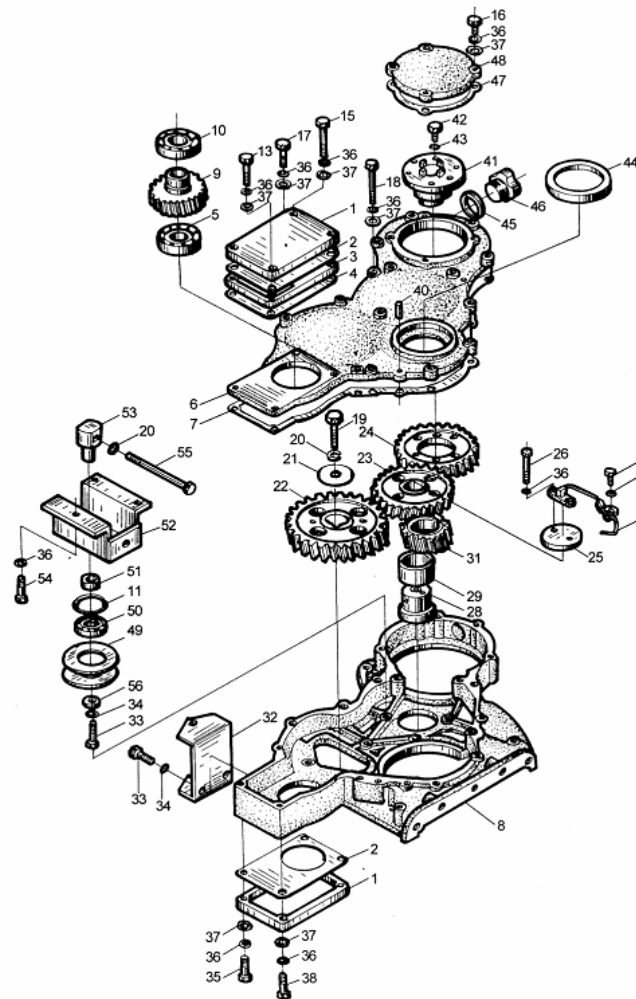
正时齿轮传动系总成 Timing gear train assembly



A498BT1-6A-6 10.6-正时齿轮传动系总成-6 TIMING GEAR TRAIN ASSEMBLY-6

标号 No.	代号 Code	名称 Description		数量 Quantity	备注 Remark
1	490BT-16014	液压泵端盖	HYDRAULIC PUMP END	2	2011-11_
10	GBT292-7206AC	角接触球轴承	BEARING	1	2011-11_
11	GB893.1-86	挡圈130	RETAINER RING	1	
13	GBT5782-M8X65	六角头螺栓	BOLT	2	2011-11_
15	GBT5782-M8X40	六角头螺栓	BOLT	2	2011-11_
16	GBT5782-M8X25	六角头螺栓	BOLT	8	2011-11_
17	GBT5783-M8X30	六角头螺栓	BOLT	8	2011-11_
18	GBT5782-M8X30	六角头螺栓	BOLT	1	2011-11_
19	GBT5782-M12X45	六角头螺栓	BOLT	2	2011-11_
2	490BT-16013-1	液压泵端盖垫片	HYDRAULIC PUMP END CAP GASKET	2	2011-11_
20	GBT93-12	垫圈	WASHER	1	2011-11_
21	490B-02011	凸轮轴正时齿轮压板	CAMSHAFT TIMING GEAR PRESSURE PLATE	1	2011-11_
22	490BT-02009	凸轮轴正时齿轮	CAMSHAFT TIMING GEAR	1	2011-11_
23	490BT-02006	正时惰齿轮	TIMING LAZY GEAR	1	2011-11_
24	490B-02003	喷油泵正时齿轮	OIL INJECTION PUMP TIMING GEAR	1	2011-11_
25	490B-02012	惰齿轮轴压板	IDLE GEAR SHAFT PRESS PLATE	1	2011-11_
26	GBT5782-M8X60	六角头螺栓	BOLT	3	2011-11_
27	490BT-02100	喷油管焊接部件	INJECTION PIPE	1	2011-11_
28	490B-02004	正时惰齿轮轴	TIMING IDLE GEAR SHAFT	1	2011-11_
29	490B-02005	正时惰齿轮衬套	TIMING IDLE GEAR BUSH	1	2011-11_
3	490BT-16021	前液压泵联接板	FRONT HYDRAULIC PUMP GUSSET PLATE	1	2011-11_
30	GBT5783-M8X16	螺栓	BOLT	1	2011-11_
31	490BT-02007	曲轴正时齿轮	CRANKSHAFT TIMING GEAR	1	2011-11_
32	490BT-53002-1	发电机支架	GENERATOR BRACKET	1	2011-11_
33	GBT5783-M10X25	螺栓	BOLT	3	2011-11_

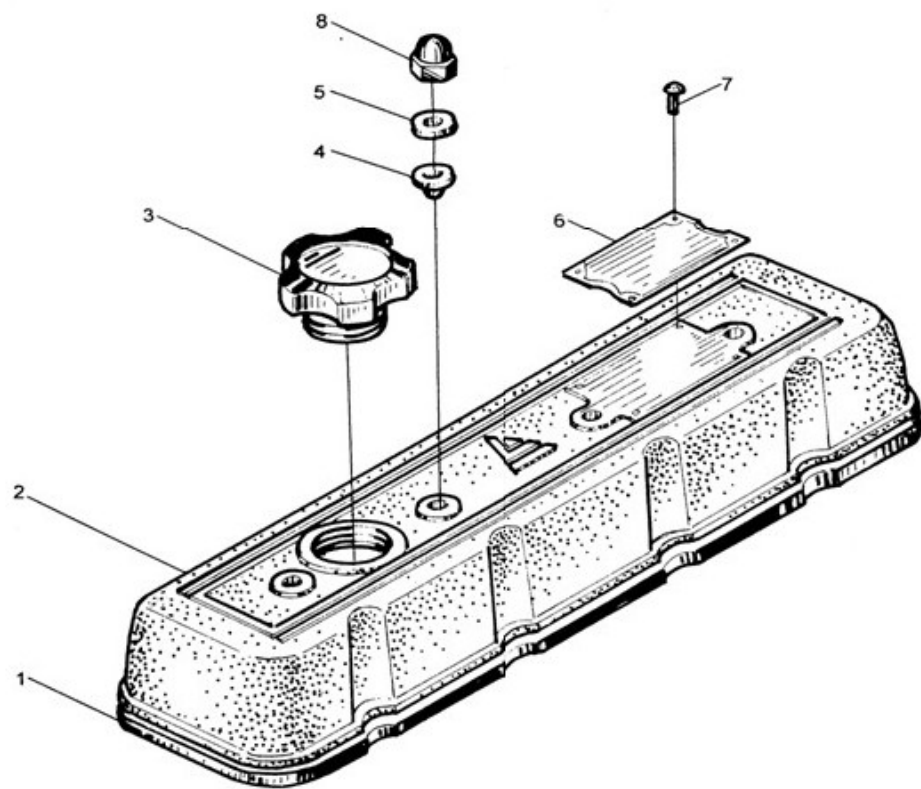
正时齿轮传动系总成 Timing gear train assembly



A498BT1-6A-6 10.6-正时齿轮传动系总成-6(续)

标号 No.	代号 Code	名称 Description		数量 Quantity	备注 Remark
34	GBT93-10	垫圈10	WASHER 10	4	2011-11_
35	GBT5782-M8X55	六角头螺栓	BOLT	4	2011-11_
36	GBT93-8	垫圈8	WASHER 8	34	2011-11_
37	GBT97.1-8-140HV-A0P	垫圈	WASHER	27	
38	GBT5783-M8X30	六角头螺栓	BOLT	1	2011-11_
4	490BT-16017	前液压泵联接板垫片	FRONT HYDRAULIC PUMP CONNECTING PLATE	1	2011-11_
4	490BT-16017	前液压泵联接板垫片	GASKET	1	2011-11_
40	GBT119.2-8X20	圆柱销	FRONT HYDRAULIC PUMP CONNECTING PLATE	1	
41	490BT-02015	喷油泵正时齿轮轴套	GASKET	1	2011-11_
42	GBT5783-M6X16	螺栓	PIN	6	2011-11_
			BUSHING		
43	GBT93-6	垫圈	BOLT	6	2011-11_
44	60X80X12	油封王		1	2011-11_
45	495BT-16102	齿轮室加油口盖垫圈	WASHER	1	2011-11_
46	495BT-16101	齿轮室加油口盖	OIL SEAL	1	2011-11_
47	490BT-16005	空气压缩机盖板垫片	WASHER	1	2011-11_
			CAP		
48	490BT-16016	空气压缩机盖板	GASKET	1	2011-11_
49	490BT-16200	张紧轮总成		1	2011-11_
5	GBT1276-6206	深沟球轴承	AIR COMPRESSOR COVER PLATE	1	2011-11_
6	490BT-16001-1	正时齿轮室盖	IDLER WHEEL ASSEMBLY	1	2011-11_
7	490BT-16002-1	正时齿轮室盖垫片	BEARING	1	2011-11_
			TIMING GEAR COVER		
8	490BT-16003-1	正时齿轮室	TIMING GEAR HOUSING COVER GASKET	1	2011-11_
9	490BT-02010-1	液压泵齿轮		1	2011-11_
			TIMING CASE		
			HYDRAULIC PUMP GEAR		

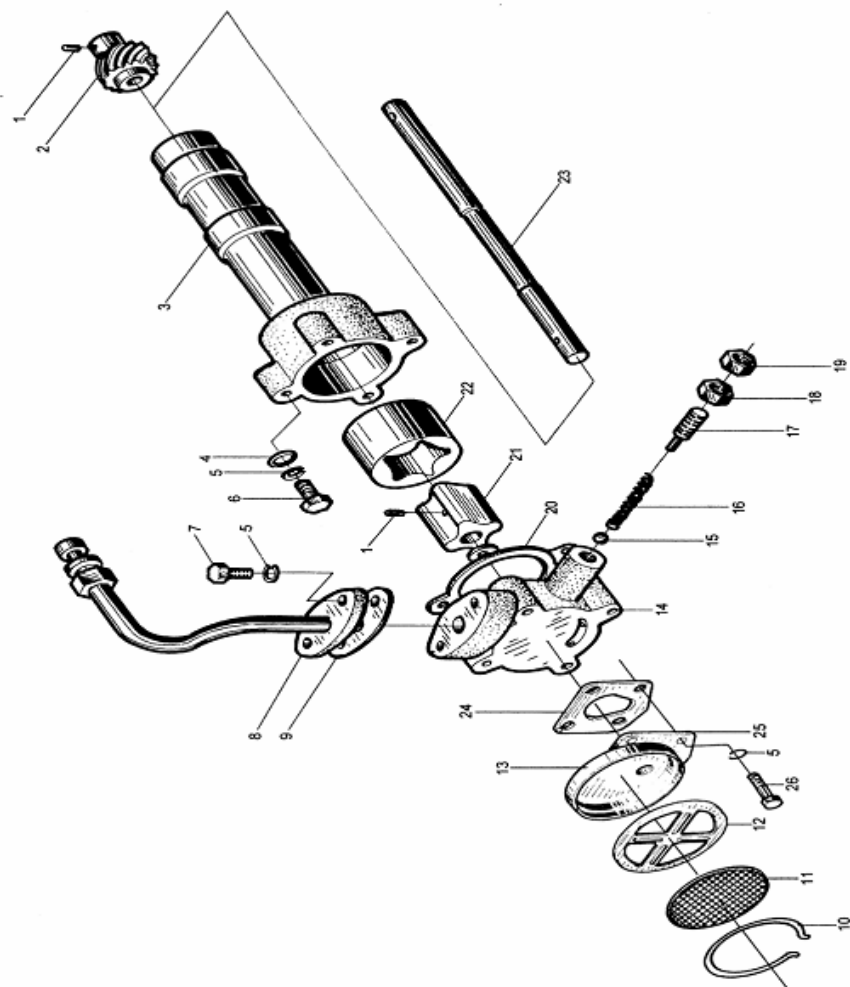
气缸盖罩总成 Cylinder head cover assembly



A498BT1-6A-7 10.7-气缸盖罩总成 CYLINDER HEAD COVER ASSEMBLY-7

标号 No.	代号 Code	名称 Description		数量 Quantity	备注 Remark
1	A498B-11002	气缸盖罩橡胶垫	CYLINDER COVER RUBBER MAT	1	2011-11_
2	A498B-11001	气缸盖罩	CYLINDER HEAD COVER	1	2011-11_
3	490B-11200B	加油口盖部件	FILLING CAP COVER	1	2011-11_
4	A498B-11003	橡胶隔离套	RUBBER ISOLATION BUSH	4	2011-11_
5	A498B-11004	气缸盖罩橡胶垫	CYLINDER COVER RUBBER MAT	4	2011-11_
6	A498B-1109-1	E-Mark 铭牌	NAMEPLATE	1	2011-11_

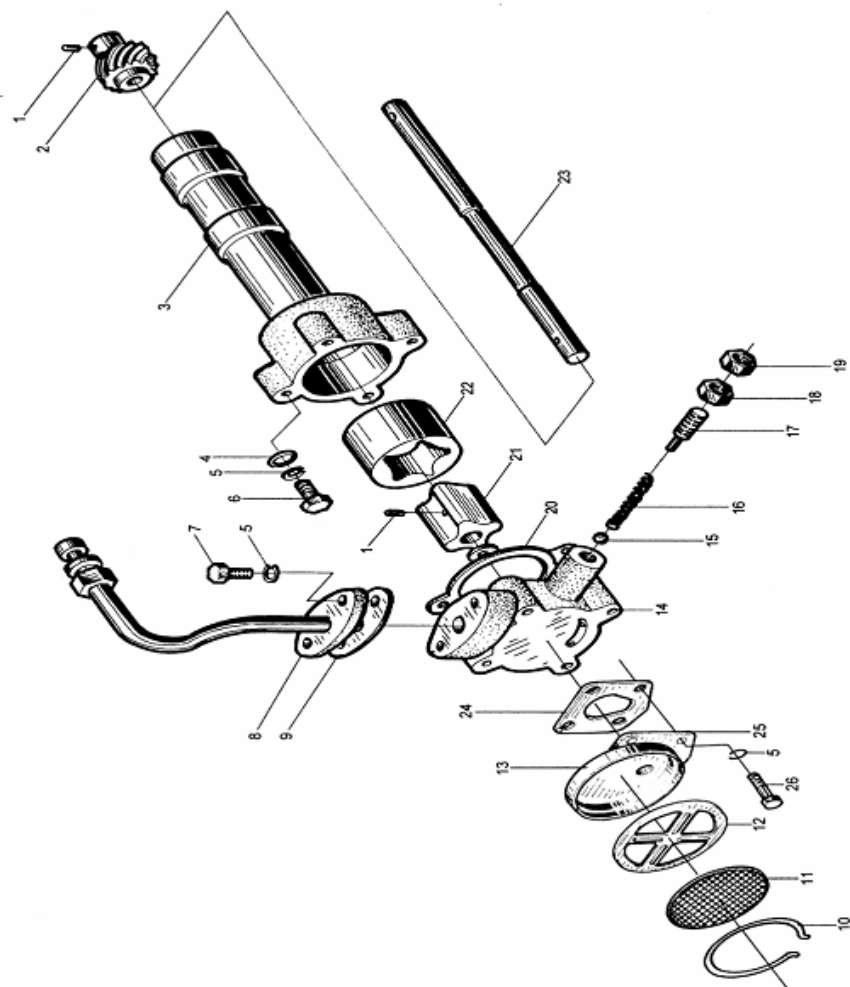
机油泵、机油管路总成 Oil pump and oil pipe assembly



A498BT1-6A-8 10.8-机油泵机油管路总成-8 OIL PUMP AND OIL PIPE ASSEMBLY-8

标号 No.	代号 Code	名称 Description		数量 Quantity	备注 Remark
0	A490-04200	机油泵总成	OIL PUMP ASSEMBLY	1	2011-11_
1	495B-31203	圆柱销	PIN	2	2011-11_
10	490B-31104	钢丝挡圈	SNAP RING	1	2011-11_
11	490B-31112	滤网	SCREEN	1	2011-11_
12	490B-31111	滤网网衬	FILTER SCREEN FRAME	1	2011-11_
13	490B-31103	集滤器盖	FILTER COVER	1	2011-11_
14	495B-31005A	机油泵盖	OIL PUMP COVER	1	2011-11_
15	GBT308-10	钢球	BALL	1	2011-11_
16	495B-31003	限压阀弹簧	PRESSURE LIMITING VALVE SPRING	1	2011-11_
17	495B-31002	调压螺钉	SCREW	1	2011-11_
18	GBT6171-M14X1.5	1型六角螺母	NUT	1	2011-11_
19	GBT6173-M14X1.5	六角薄螺母	NUT	1	
2	495B-31001	机油泵传动齿轮	OIL PUMP DRIVING GEAR	1	2011-11_
20	495B-31007	机油泵盖垫片	OIL PUMP COVER GASKET	1	2011-11_
21	495B-31202A	内转子	INNER ROTOR	1	2011-11_
22	495B-31008A	外转子	OUTER ROTOR	1	2011-11_
23	495B-31201	机油泵轴	OIL PUMP SHAFT	1	2011-11_
24	495B-31006	机油集滤器垫片	OIL FILTER GASKET	1	2011-11_
25	495B-31101	集滤器法兰	FILTER FLANGE	1	2011-11_
26	GBT5782-M8X45	六角头螺栓	BOLT	4	2011-11_
3	495B-31004A	机油泵泵体	OIL PUMP HOUSING	1	2011-11_
4	GBT97.1-8	垫圈	WASHER	5	2011-11_
5	GBT93-8	垫圈8	WASHER 8	7	2011-11_
6	GBT5783-M8X30	六角头螺栓	BOLT	4	2011-11_
7	GBT5783-M8X20	螺栓	BOLT	2	2011-11_

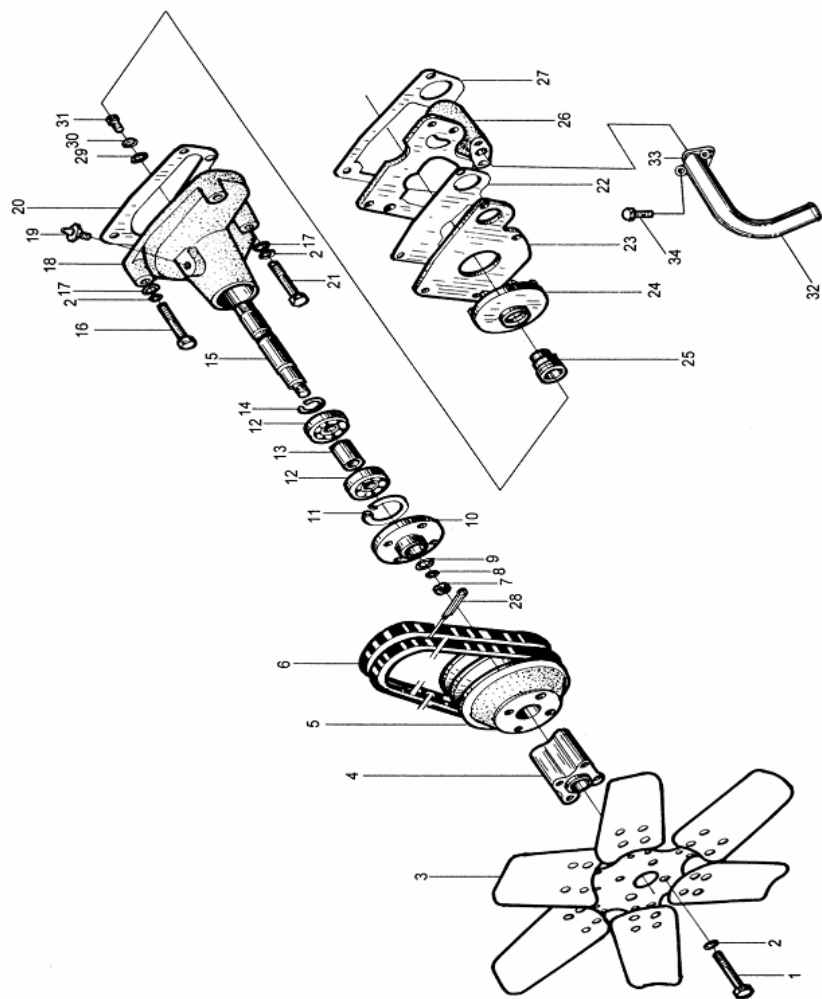
机油泵、机油管路总成 Oil pump and oil pipe assembly



A498BT1-6A-8 10.8-机油泵机油管路总成-8(续)

标号 No.	代号 Code	名称 Description		数量 Quantity	备注 Remark
7	GBT5783-M8X20	螺栓	BOLT	2	2011-11_
8	495B-33000	机油管路总成	OIL PIPELINE ASSEMBLY	1	2011-11_
9	490B-33005	垫片	WASHER	1	2011-11_

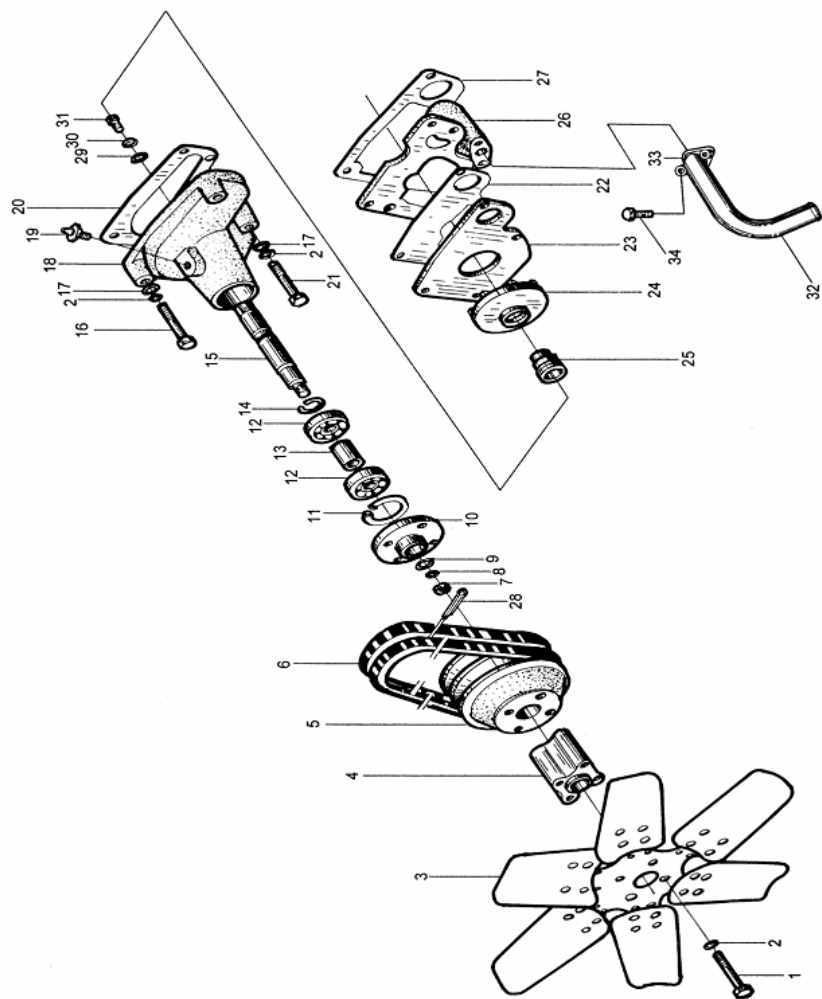
冷却水泵、风扇部件 Cooling water pump and fan assembly



A498BT1-6A-9 10.9-冷却水泵风扇部件-9 COOLING WATER PUMP AND FAN ASSEMBLY-9

标号 No.	代号 Code	名称 Description		数量 Quantity	备注 Remark
0	490B-41003-4	风扇垫块	FAN GASKET	1	2011-11_
1	GBT5782-M8X45	六角头螺栓	BOLT	4	2011-11_
10	495B-42001	风扇皮带轮毂	FAN BELT PULLEY HUB	1	2011-11_
11	GBT893.1-40	挡圈	RETAINER RING	1	2011-11_
12	GBT287-6203	轴承	BEARING	2	2011-11_
13	495B-42003	轴承隔圈	BEARING SPACER RING	1	2011-11_
14	GBT1099-5X19	键	KEY	1	
15	495B-42002	水泵轴	WATER PUMP SHAFT	1	2011-11_
16	GBT5782-M8X70	六角头螺栓	BOLT	1	2011-11_
17	GBT96-8	垫圈	WASHER	1	2011-11_
17	GBT96-8	垫圈	WASHER	1	2011-11_
18	495B-42004	水泵体	WATER PUMP HOUSING	1	2011-11_
19	GBT1152-M10X1	油杯	OIL CUP	1	
2	GBT93-8	垫圈8	WASHER 8	4	2011-11_
20	495B-42005	水泵体衬垫	WATER PUMP HOUSING LINER	1	2011-11_
21	GBT5782-M8X55	六角头螺栓	BOLT	3	2011-11_
22	490BT-42011	水泵垫板垫片	WATER PUMP GASKET	1	2011-11_
23	490BT-42006	水泵隔板	BACK PLATE	1	2011-11_
24	495B-42008	水泵叶轮	WATER PUMP GEAR	1	2011-11_
25	JBT5086	水封	WATER SEAL	1	2011-11_
26	490BT-42010-1A	水泵接头	WATER PUMP CONNECTOR	1	2011-11_
27	490BT-42011-1A	水泵接头垫片	GASKET	1	2011-11_
29	495B-42011	大垫圈 Q235-AF	WASHER Q235-AF	1	2011-11_
3	Z420-28-52-7	φ 420塑料吸风扇	FAN	1	2011-11_
3	Z420-28-52-7	φ 420塑料吸风扇	FAN	1	2011-11_

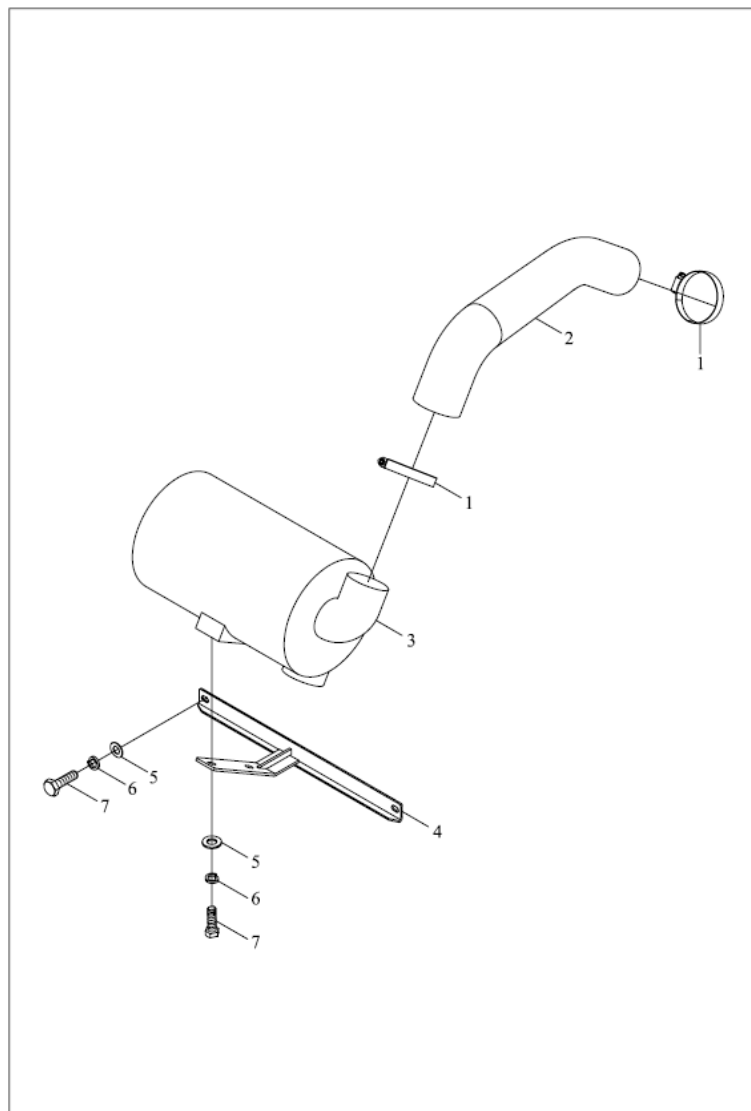
冷却水泵、风扇部件 Cooling water pump and fan assembly



A498BT1-6A-9 10.9-冷却水泵风扇部件-9(续)

标号 No.	代号 Code	名称 Description		数量 Quantity	备注 Remark
30	GBT93-8	垫圈8	WASHER 8	1	2011-11_
31	GBT5783-M8X16	螺栓	BOLT	1	2011-11_
32	490BT-01011-3	进水管	WATER INLET PIPE	1	2011-11_
33	490BT-01012	进水管垫片	WATER INLET PIPE GASKET	1	2011-11_
34	490B-01100-2	放水开关	DRAIN SWITCH	1	2011-11_
34.1	495B-42000	水泵总成	WATER PUMP ASSEMBLY	0	2011-11_
4	490B-41003-1	风扇垫块	FAN GASKET	1	2011-11_
5	490BT-41002-2	风扇皮带轮	FAN BELT PULLEY	1	2011-11_
6	AV15X670Le	皮带	BELT	1	2011-11_
6	AV15X670Le	皮带	BELT	1	2011-11_
6	AV15X950Le	皮带	BELT	1	2011-11_
7	GBT6178-M10	1型六角开槽螺母	NUT (PAGE81)	1	2011-11_
8	GBT93-10	垫圈10	WASHER 10	1	2011-11_

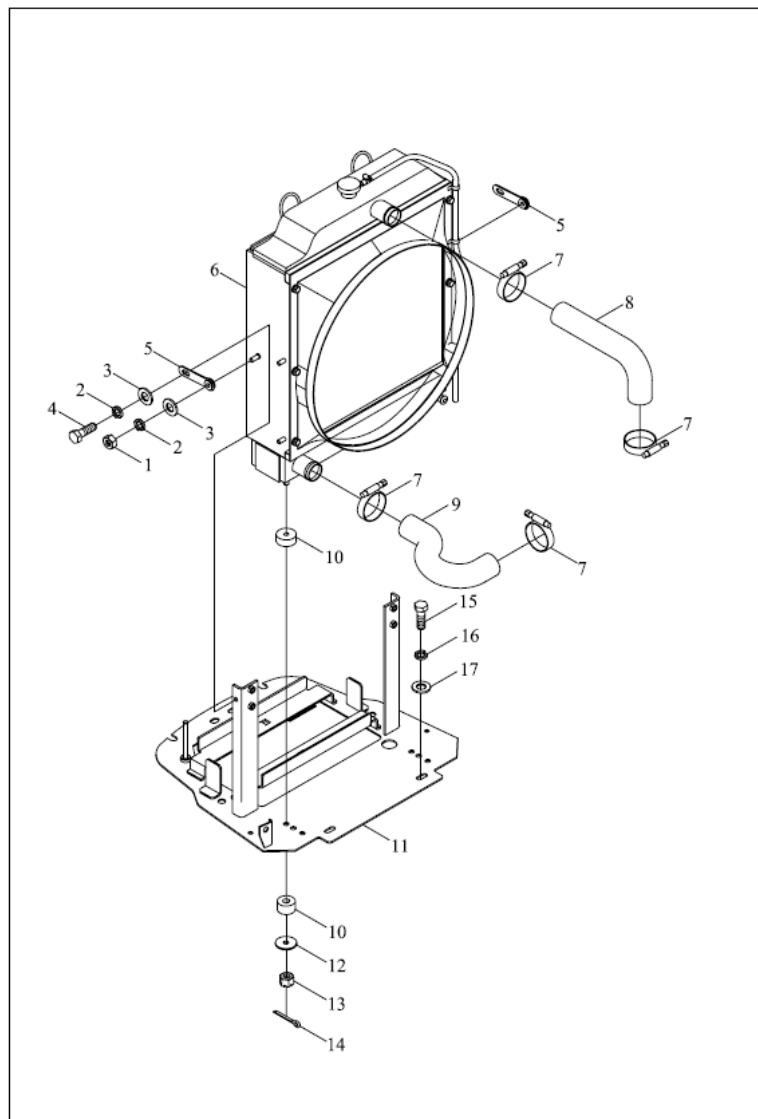
TB500.11B 空气滤清系总成



TB500.11B 11-空气滤清系总成 11-AIR CLEANER ASSEMBLY

标号 No.	代号 Code	名称 Description		数量 Quantity	备注 Remark
1	Q67676	环箍	Clip	2	2009-11_
2	TB500.11B-01	进气软管	AIR INLET HOSE	1	2009-11_
3	TB400.11.1	空气滤清器总成	AIR FILTER ASSEMBLY	1	2009-11_
3.1	TB400.11.1-05	空气滤清器滤芯	AIR FILTER CORE	1	2009-11_
3.1	TB400.11.1-05	空气滤清器滤芯	AIR FILTER CORE	1	2009-11_
4	TB500.11B.2	空滤器支架	BRACKET	1	2009-11_
5	GBT97.1-8-A0P	平垫圈	WASHER	4	2009-11_
6	GBT93-8-A0P	垫圈	WASHER	4	2009-11_
7	GBT5783-M8X20-8.8-A2L	六角头螺栓	BOLT	4	2009-11_
7	TD900.11A-01	空气滤清器保养指示器	AIR FILTER MAINTENANCE INDICATOR	1	2011-01_

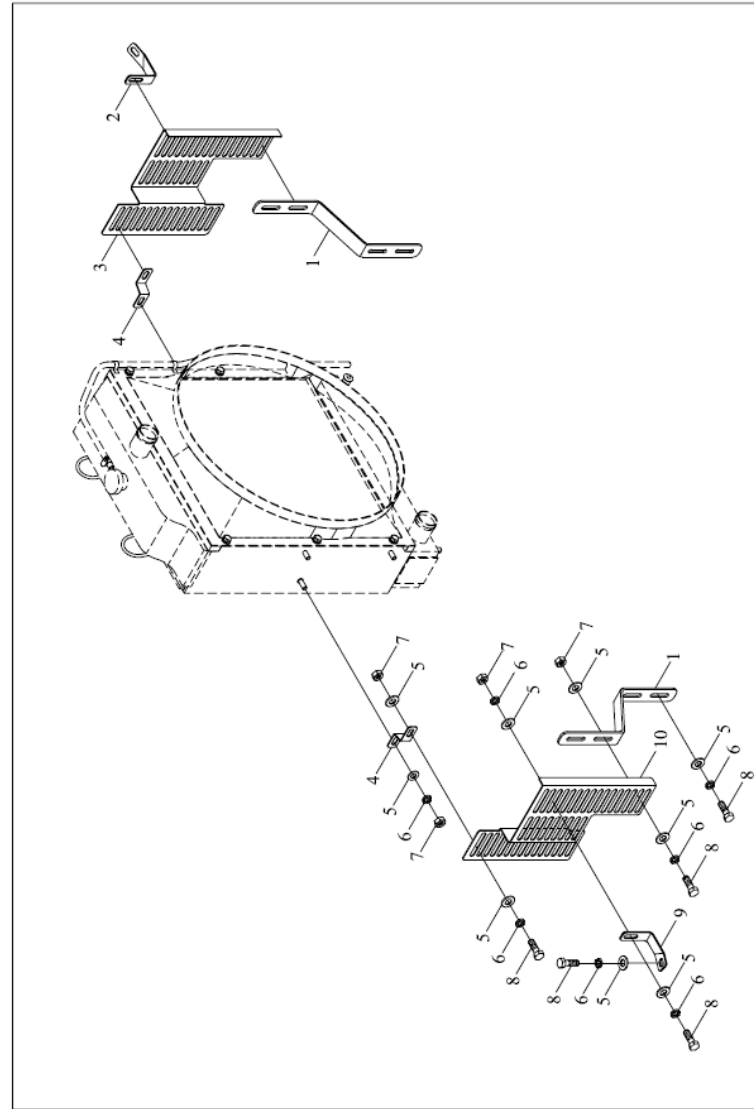
TB500.13G 冷却系总成-1



TB500.13G-1 13-冷却系总成-1 13-COOLING SYSTEM ASSEMBLY-1

标号 No.	代号 Code	名称 Description		数量 Quantity	备注 Remark
1	GBT6170-M8-8-A2L	I型六角螺母	I-TYPE HEXAGON NUT	2	2011-11_
10	FT650.13.112	橡胶垫块	RUBBER PAD BLOCK	4	2011-11_
11	TB450.13A.1	水箱垫板焊合	RADIATOR BACKING BOARD WELDMENT	1	2011-11_
12	FT650.13.116	垫片	WASHER	2	2011-11_
13	GBT6178-M10-8-A3L	1型六角开槽螺母	NUT (PAGE81)	2	2011-11_
14	GBT91-2.5X28-A0P	开口销	PIN	2	2011-11_
15	GBT5783-M10X25-8.8-A3L	六角头螺栓	BOLT	4	2011-11_
16	GBT93-10-A0P	标准型弹簧垫圈	WASHER	4	2011-11_
17	GBT97.1-10-A0P	平垫圈	WASHER	4	2011-11_
2	GBT93-8-A0P	垫圈	WASHER	4	2011-11_
3	GBT96.1-8-A0P	垫圈	WASHER	4	2011-11_
4	GBT5783-M8X20-8.8-A2L	六角头螺栓	BOLT	2	2011-11_
5	TB450.13D.2	拉杆合件	PULL ROD UNIT	2	2011-11_
6	TB500.13A.1	散热器总成	RADIATER ASSEMBLY	1	2011-11_
7	Q67657	B型蜗杆传动式软管环箍	B-TYPE WORM TRANSMISSION HOSE CLAMP	4	2011-11_
8	TB500.13-01	水箱进水软管	WATER TANK INLET HOSE	1	2011-11_
8	TB500.13-01	水箱进水软管	WATER TANK INLET HOSE	1	2011-11_
9	FT450.13.102	水箱出水软管	WATER TANK OUTLET HOSE	1	2011-11_

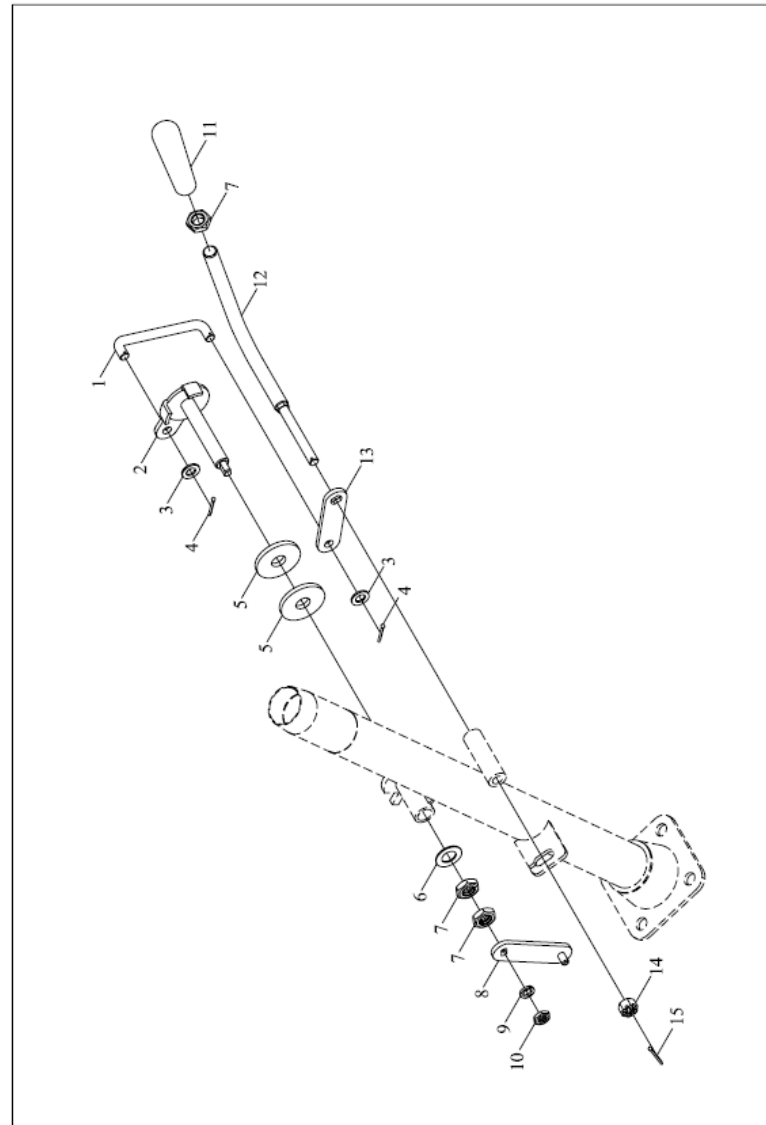
TB500.13G 冷却系总成-2



TB500.13G-2 13-冷却系总成-2 COOLING SYSTEM ASSEMBLY-2

标号 No.	代号 Code	名称 Description		数量 Quantity	备注 Remark
1	TB300.13A-02	下支撑板	LOWER SUPPORT PLATE	2	2011-11_
10	TB500.13G-01	左防护网	LEFT GUARD WEB	1	2011-11_
10	TB500.13G-01	左防护网	LEFT GUARD WEB	1	2011-11_
2	TB500.13G-03	右支撑板	RH STRUTTING PLATE	1	2011-11_
3	TB500.13G-02	右防护板	RIGHT GUARD PLATE	1	2011-11_
4	TB300.13A-01	支架1	BRACKET 1	4	2011-11_
5	GBT97.1-8-A0P	平垫圈	WASHER	30	2011-11_
6	GBT93-8-A0P	垫圈	WASHER	22	2011-11_
7	GBT6170-M8-8-A2L	I型六角螺母	I-TYPE HEXAGON NUT	14	2011-11_
8	GBT5783-M8X20-8.8-A2L	六角头螺栓	BOLT	16	2011-11_
9	TB500.13G-04	左支撑板	LEFT SUPPORTING BOARD	1	2011-11_

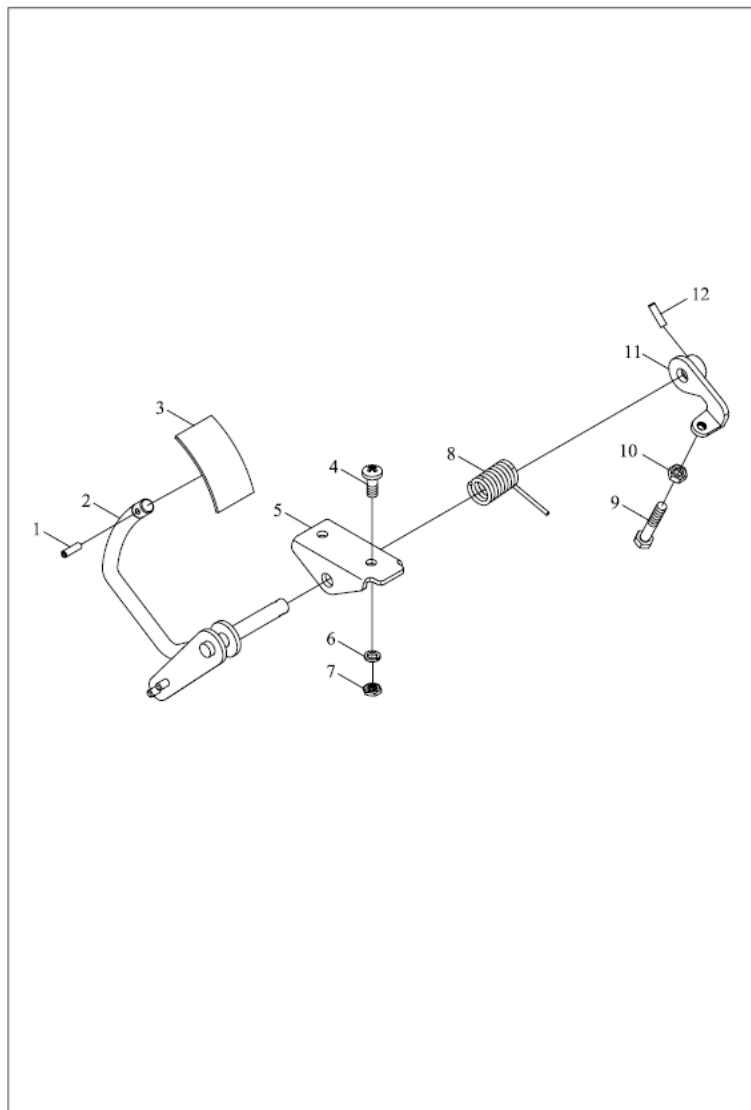
TB604.201 手油门总成



TB604.201 20.1-手油门总成 20.1-HAND THROTTLE ASSEMBLY

标号 No.	代号 Code	名称 Description		数量 Quantity	备注 Remark
1	TB604.201-01	拉杆	PULL ROD	1	2011-11_
10	GBT6172.1-M8-04-A2L	六角薄螺母	NUT	1	2011-11_
11	TB400.201C-01	手柄	HANDLE	1	2011-11_
12	TB604.201-03	手柄摇臂	HANDLE ROCKER	1	2011-11_
13	TB604.201-02	长摇臂	LONG ROCKER	1	2011-11_
14	TB604.201-04	摩擦片	ATTRITION DISK	2	2012-10_
14	GBT6178-M8-8	1型六角开槽螺母	NUT (PAGE81)	1	2011-11_
15	GBT91-2X22-A0P	开口销	PIN	1	2011-11_
15	GBT955-8	波形弹性垫圈	WASHER	1	2012-10_
15	GBT955-8	波形弹性垫圈	WASHER	1	2012-10_
2	TB604.201.1	转轴焊接	ROTARY SHAFT WELDMENT	1	2011-11_
3	GBT95-8-A0P	平垫圈	WASHER	2	2011-11_
4	GBT91-2X14-A0P	开口销	PIN	2	2011-11_
5	FT300.43.159	手制动摩擦片	HAND BRAKE FRICTION DISC	2	2011-11_
6	GBT955-12-A0P	波形弹性垫圈	WASHER	1	2012-05_
6	GBT955-12-A0P	波形弹性垫圈	WASHER	1	2012-05_
7	GBT6172.1-M12-04-A3L	六角薄螺母	NUT	3	2011-11_
8	TB604.201.3	拉线摇臂焊接	WIRE ROCKER WELDMENT	1	2011-11_
9	GBT93-8-A0P	垫圈	WASHER	1	2011-11_

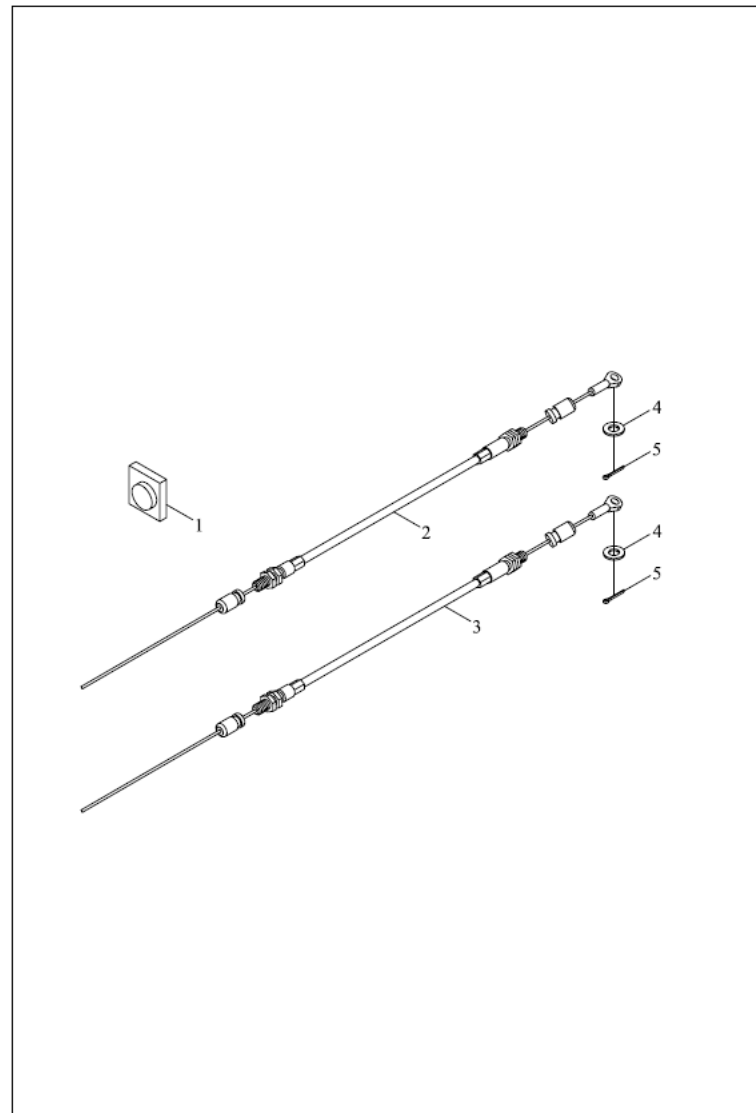
TB500.202A 脚油门总成



TB500.202A 20.2-脚油门总成 20.2-FOOT THROTTLE ASSEMBLY

标号 No.	代号 Code	名称 Description		数量 Quantity	备注 Remark
1	GBT879.1-5X18	弹性圆柱销	PIN	1	2011-11_
10	GBT6170-M8-A2L	螺母	NUT	1	2011-11_
11	TB500.202.3	限位板焊合	LIMITING PLATE WELDMENT	1	2011-11_
12	GBT879.1-5X20	弹性圆柱销	PIN	1	2011-11_
2	TB500.202A.1	脚油门摇臂焊合	FOOT THROTTLE ROCKER ARM WELDMENT	1	2011-11_
3	TB500.202.2	脚油门踏板焊合	FOOT THROTTLE PEDAL WELDMENT	1	2011-11_
4	GBT818-M8X20-A2L	十字槽盘头螺钉	SCREW	2	2011-11_
5	FT650.20.108	油门支架	THROTTLE PEDESTAL	1	2011-11_
6	GBT93-8-A0P	垫圈	WASHER	2	2011-11_
7	GBT6172.1-M8-A2L	螺母	NUT	2	2011-11_
8	FT650.20.104	扭簧	TORSION SPRING	1	2011-11_
9	GBT5781-M8X45-A2L	六角头螺栓	BOLT	1	2011-11_

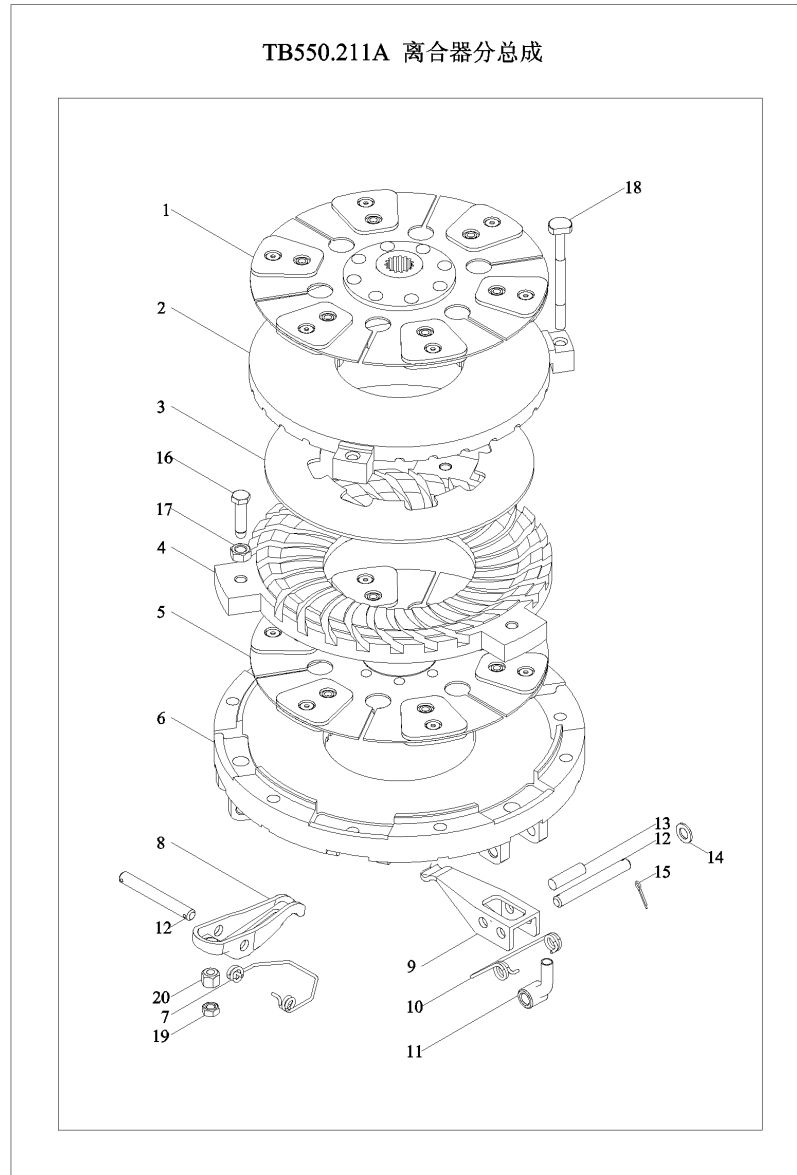
TB604.203A 拉线总成



TB604.203A 20.3-拉线总成 20.3-PULL WIRE ASSEMBLY

标号 No.	代号 Code	名称 Description		数量 Quantity	备注 Remark
1	TB400.20C-01	熄火拉线固定孔堵盖	PLUG COVER OF EXTINGUISH WIRE FIXING	1	2011-11_
2	TB604.203A.2	手油门拉线总成	HOLE	1	2011-11_
3	TB604.203A.1	脚油门拉线总成	HAND THROTTLE WIRE ASSEMBLY	1	2011-11_
4	GBT97.1-6-A0P	平垫圈	FOOT THROTTLE WIRE ASSEMBLY	2	2011-11_
5	GBT91-2X12-A0P	开口销	WASHER PIN	2	2008-01_

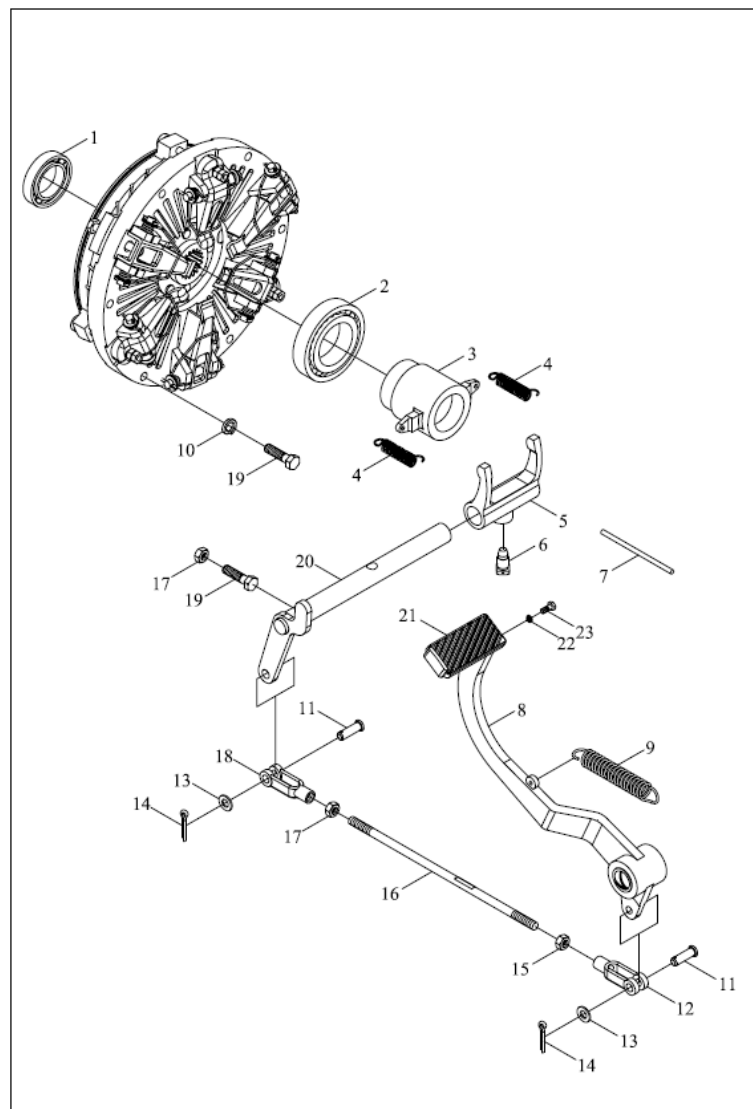
TB550.211A 离合器分总成



TB550.211A 21.1-离合器总成 21.1-CLUTCH ASSEMBLY

标号 No.	代号 Code	名称 Description		数量 Quantity	备注 Remark
1	TB550.211A.2	副摩擦片总成	AUXILIARY FRICTION PIECE ASSEMBLY	1	2009-12_
1	CF550A.21.025	副离合器摩擦片总成	AUXILIARY FRICTION PIECE	1	2013-10_
10	FT400.21B.108	主分离杠杆弹簧	MAIN RELEASE LEVER SPRING	3	2009-12_
11	FT400.21B.110	顶杆	TOP ROD	3	2009-12_
12	FT300.21B.111	长销	LONG PIN	6	2009-12_
13	FT300.21B.109	销轴	PIN	3	2009-12_
14	GBT848-10-A2L	小垫圈	WASHER	12	2009-12_
14	GBT848-10	小垫圈	WASHER	12	2013-10_
15	GBT91-3.2X16	开口销	PIN	12	2013-10_
15	GBT91-3.2X16-A0P	开口销	PIN	12	2009-12_
16	FT300.21B.114	主离合器调整螺钉	MAIN CLUTCH ADJUSTING SCREW	3	2009-12_
17	GBT6171-M10X1	I型六角螺母	NUT	3	2013-10_
17	GBT6171-M10X1-A2L	螺母	NUT	3	2009-12_
18	FT400.21B.104	副离合器拉杆	AUXILIARY CLUTCH PULL ROD	3	2009-12_
19	GBT6171-M8X1-8-A2L	I型六角螺母	HEXAGON NUT	3	2009-12_
2	FT400.21B.102	副离合器压盘	AUXILIARY CLUTCH PRESSURE PLATE	1	2009-12_
20	FT300.21B.105	球头螺母	BALL NUT	3	2009-12_
20	FT300.21B.105	球头螺母	BALL NUT	3	2009-12_
3	TB550.211-01	碟形弹簧	DISC SPRING	1	2009-12_
4	FT400.21B.113	主离合器压盘	MAIN CLUTCH PRESSURE PLATE	1	2009-12_
5	TB550.211A.1	主摩擦片总成	MAIN FRICTION PLATE ASSEMBLY	1	2009-12_
6	FT400.21B.112	离合器盖	CLUTCH COVER	1	2009-12_
7	FT300.21B.120	副分离杠杆弹簧	AUXILIARY RELEASE LEVER SPRING	3	2009-12_
8	FT400.21B.106	副离合器分离杠杆	AUXILIARY CLUTCH RELEASE LEVER	3	2009-12_
9	FT400.21B.107	主离合器分离杠杆	MAIN CLUTCH RELEASE LEVER	3	2009-12_

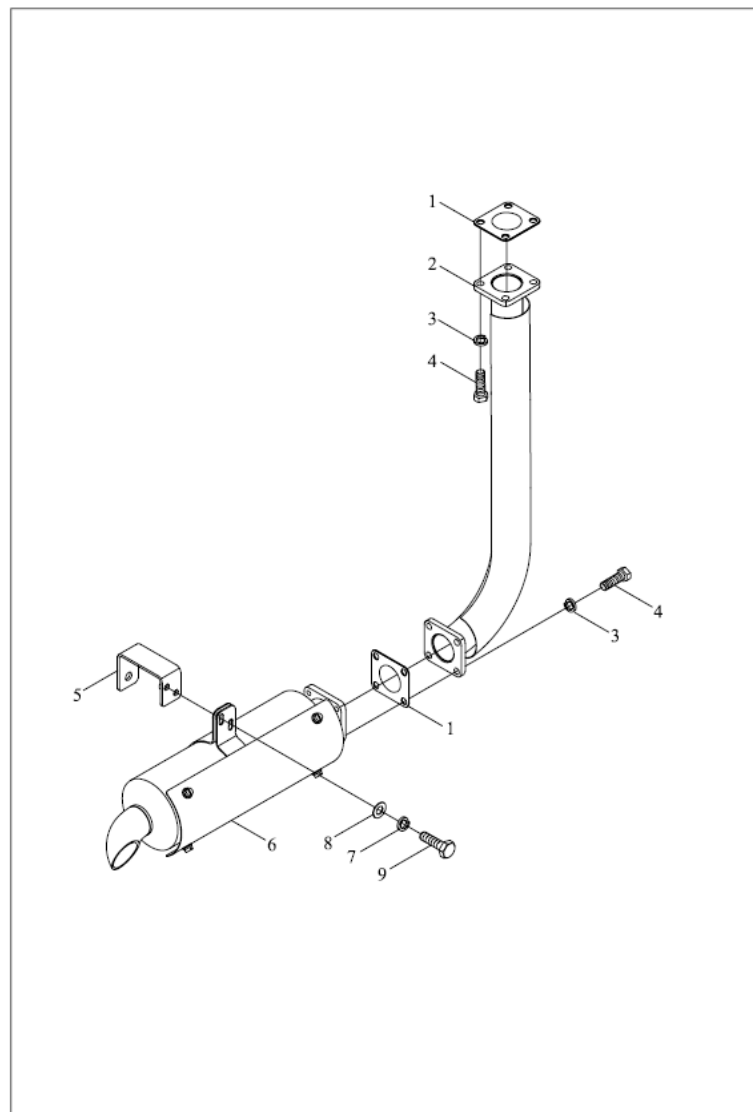
TB504.212 离合器操纵机构总成



TB504.212 21.2-离合器操纵机构总成 21.2-CLUTCH CONTROL MECHANISM ASSEMBLY

标号 No.	代号 Code	名称 Description		数量 Quantity	备注 Remark
1	GBT276-6204-2RS	轴承	BEARING	1	2011-11_
10	GBT93-10-A0P	标准型弹簧垫圈	WASHER	6	2011-11_
11	GBT882-B10X28	销轴	PIN	2	2011-11_
12	FT300.43.110	拉杆后叉	PULL ROD REAR FORK	1	2011-11_
13	GBT97.1-10-A0P	平垫圈	WASHER	2	2011-11_
14	GBT91-3.2X16-A0P	开口销	PIN	2	
15	GBT6170-M10-LH-A3L	螺母	NUT	1	2011-11_
16	FT300.21.110	拉杆	PULL ROD	1	2011-11_
17	GBT6170-M10-A3L	螺母	NUT	2	2011-11_
18	FT300.43.108	拉杆前叉	PULL ROD FRONT FORK	1	2011-11_
19	GBT5783-M10X40-8.8-A3L	螺栓	BOLT	7	2011-11_
2	TA800.212-02	推力轴承99 67 13	THRUST BEARING	1	2011-11_
20	FT300.21.013	离合器分离叉轴合件	CLUTCH RELEASE FORK SHAFT UNIT	1	2011-11_
21	TB504.21-01	离合器踏板焊合	CLUTCH PEDAL WELDMENT	1	2011-11_
22	GBT93-6-A0P	弹簧垫圈	SPRING WASHER	2	2011-11_
23	GBT5783-M6x16-A2L	螺栓	BOLT	2	2011-11_
3	FT400.21B.101	分离轴承座	RELEASE BEARING SEAT	1	2011-11_
4	FT300.21.102	推力轴承座回位弹簧	THRUST BEARING SEAT RETURN SPRING	2	2011-11_
5	FT300.21.103	分离拨叉	RELEASE SHIFT FORK	1	2011-11_
6	FT300.21.113	止动螺钉	THRUST SCREW	1	2011-11_
7	TA800.212B-02	低碳钢丝	LOW CARBON STEEL WIRE	1	2011-11_
8	TB504.21.1	离合器踏板体合件	CLUTCH PEDAL BODY UNIT	1	2011-11_
9	FT300.43.130	踏板回位弹簧	PEDAL RETURN SPRING	1	2011-11_

TB400.22A 排气系总成



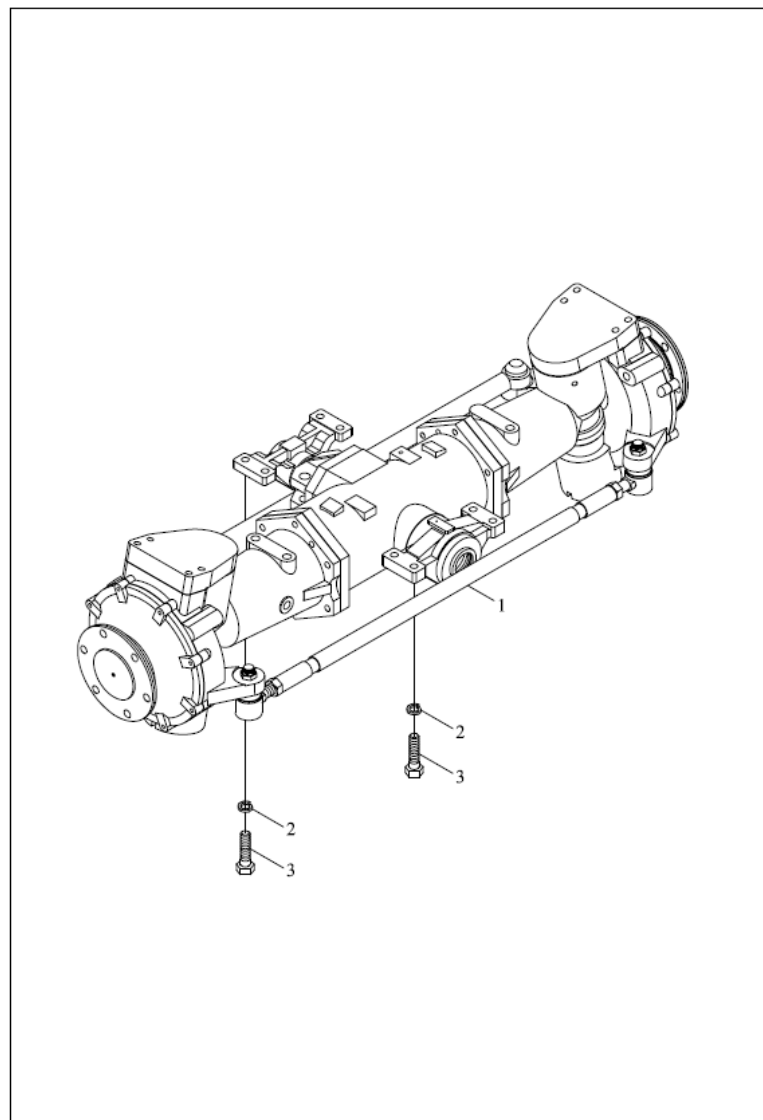
TB400.22A 22-排气系总成 22-EXHAUST SYSTEM ASSEMBLY

标号 No.	代号 Code	名称 Description		数量 Quantity	备注 Remark
1	FT300.22.030	密封垫合件	SEAL GASKET UNIT	2	2011-11_
2	TB400.22A.2	消声器排气管焊接	MUFFLER EXHAUST PIPE WELDMENT	1	2011-11_
3	GBT93-10-A0P	标准型弹簧垫圈	WASHER	8	2011-11_
4	GBT5783-M10X30-A3L	螺栓	BOLT	8	2011-11_
5	TB400.22A.3	支架焊接	BRACKET WELDMENT	1	2011-11_
6	TB400.22A.1	消声器总成	MUFFLER ASSEMBLY	1	2011-11_
7	GBT93-8-A0P	垫圈	WASHER	2	2011-11_
8	GBT97.1-8-A0P	平垫圈	WASHER	2	2011-11_
9	GBT5783-M8X20-A2L	螺栓	BOLT	2	2011-11_

TC02311070000 31.1-前驱动桥总成 31.1-FRONT DRIVING AXLE ASSEMBLY

标号 No.	代号 Code	名称 Description		数量 Quantity	备注 Remark
1	TC02311070001	前驱动桥分总成	FRONT DRIVING AXLE SUB-ASSEMBLY	1	2014-06_
2	FT400.31B.103	垫圈	WASHER	12	2014-06_
3	GB/T6176-M14X1.5-10-A3L	2型六角螺母	HEXAGON NUT, TYPE-2	12	2014-06_

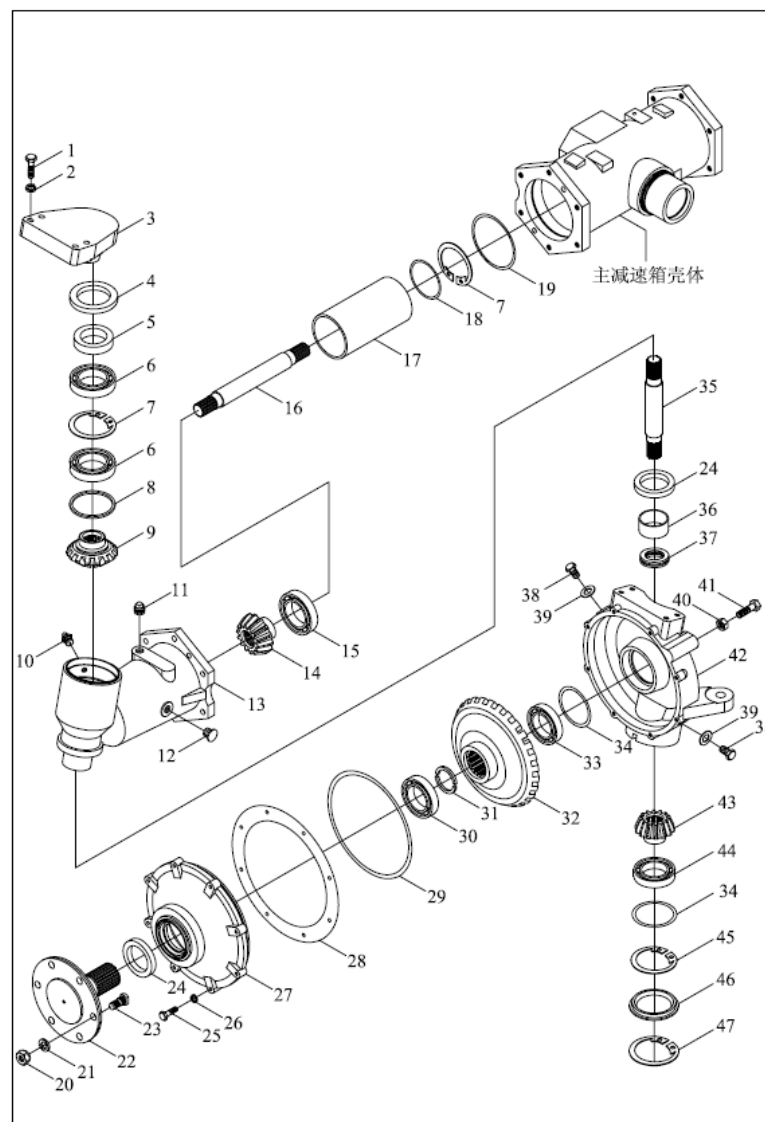
TB604.311A 前驱动桥总成-1



TB604.311A-1 31.1-前驱动桥总成-1 FRONT DRIVING AXLE ASSEMBLY-1

标号 No.	代号 Code	名称 Description		数量 Quantity	备注 Remark
1	TB604.311A.011	前驱动桥分总成	FRONT DRIVING AXLE SUB-ASSEMBLY	1	2011-11_
2	GBT93-14-A0P	弹簧垫圈	SPRING WASHER	8	2011-11_
2	GBT93-14-A0P	弹簧垫圈	SPRING WASHER	8	2011-11_
3	GBT5783-M14X45-8.8-A3L	六角头螺栓	BOLT	8	2008-01_

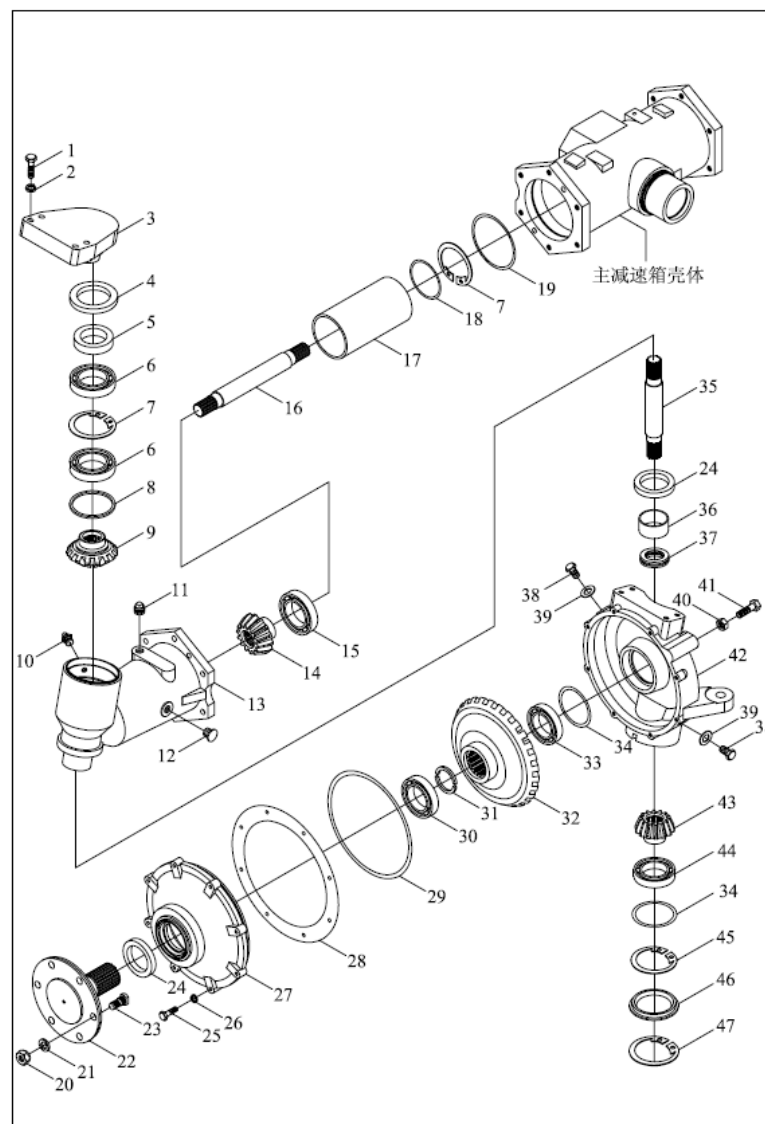
TB604.311A 前驱动桥总成-2



TB604.311A-2 31.2-前驱动桥总成-2 FRONT DRIVING AXLE ASSEMBLY-2

标号 No.	代号 Code	名称 Description	数量 Quantity	备注 Remark
0	TB604.311A.011	前驱动桥分总成	1	2011-11_
1	GBT5783-M12×40	螺栓	4	2011-12_
10	JBT7940.1-M10X1	直通式压注油杯	1	2011-11_
11	QYXF70-Z3/8"	螺塞	1	2011-11_
12	GBT1160.2-A10	油标	1	2011-11_
13	TB604.311A.121	半轴壳体	1	2011-11_
14	TB554.311.126	齿轮	1	2011-11_
15	GBT276-6309	深沟球轴承	1	2011-11_
16	TB604.311A.128	花键轴	1	2011-11_
17	TB604.311A.127	套管	1	2011-11_
18	FT304.31F.123	调整垫片	1	2011-11_
19	TB554.311.130	调整垫片	1	2011-11_
2	GBT93-12	垫圈	4	2011-11_
20	GBT6176-M14×1.5	螺母	6	2009-04_
21	FT304.31F.205	垫圈	6	2011-11_
22	TB554.311.117	前驱动轴	1	2011-11_
23	FT304.31F.115	滚花螺栓	6	2011-11_
24	FT304.31F	浮动油封	2	2011-11_
25	GBT5783-M8X35	六角头螺栓	8	2011-11_
26	GBT93-8	垫圈8	8	2011-11_
27	TB554.311.107	端部大盖	1	2011-11_
28	FT304.31F.190	调整垫	1	2011-11_
29	GBT3452.1-236X5.3G	液压气动用O形橡胶密封圈	1	2011-11_
3	FT304.31F.124	连接盖	1	2011-11_
30	GBT276-6310	轴承	1	2011-11_

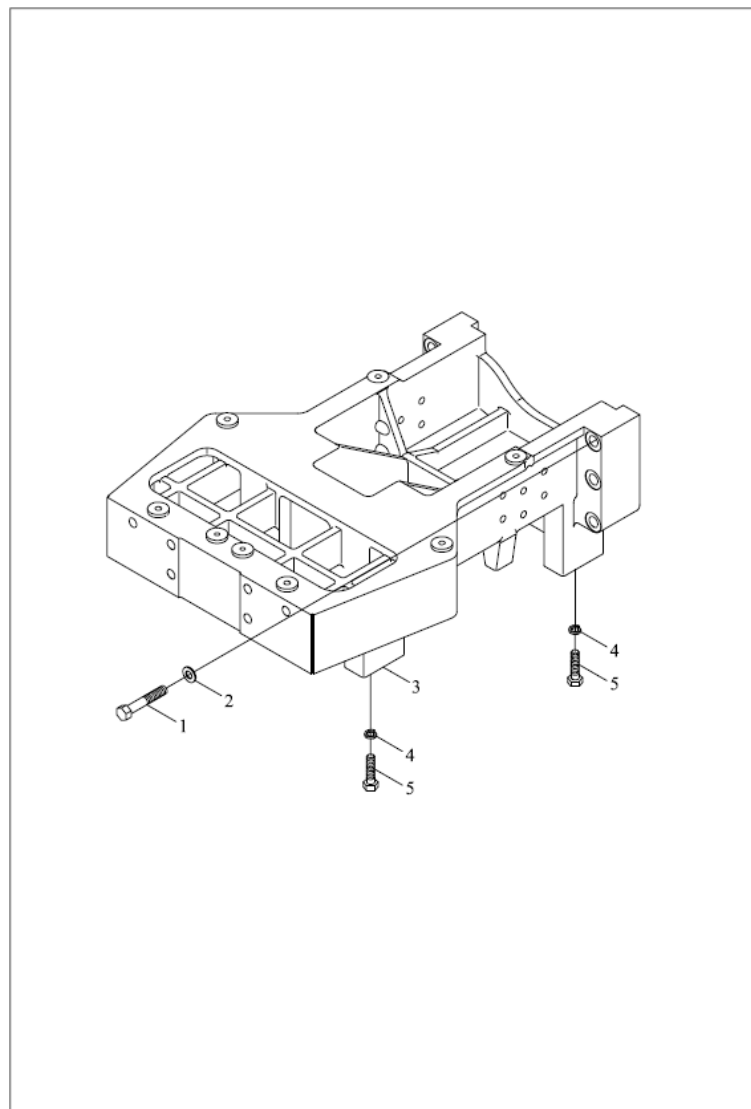
TB604.311A 前驱动桥总成-2



TB604.311A-2 31.2-前驱动桥总成-2(续)

标号 No.	代号 Code	名称 Description		数量 Quantity	备注 Remark
31	FT304.31F.114	挡圈	RETAINER RING	2	2011-11_
32	TB554.311.108	端部大齿轮	BIG END GEAR	1	2011-11_
33	GBT276-6210	深沟球轴承	BEARING	1	2011-11_
34	FT304.31F.113	调整垫	ADJUSTING GASKET	2	2011-11_
35	TB554.311.110	端部花键轴	END SPLINE SHAFT	1	2011-11_
36	FT304.31F.111	衬套	SLEEVE	1	2011-11_
37	GBT301-8107	推力球轴承	HANDSPIKE BALL BEARING	1	2011-11_
38	FT304.31F.105	螺塞	SCREW PLUG	2	2011-11_
38	FT304.31F.105	螺塞	SCREW PLUG	2	2011-11_
39	FT304.31F.106	垫圈	WASHER	2	2011-11_
4	GBT9877.1-FB8010512	内包骨架旋转轴唇形密封	O RING	1	2011-11_
40	GBT6170-M16	螺母	NUT	1	2011-11_
41	GBT5783-M16X50-8.8-A3L	六角头螺栓	BOLT	1	2008-01_
42	TB604.311A.109	左末端壳体	LEFT END HOUSING	1	2011-11_
43	FT304.31F.112	端部小齿轮	END PINION	1	2011-11_
44	GBT276-6308	深沟球轴承	BEARING	1	2011-11_
45	GBT893.1-90	挡圈90	RETAINER RING	1	2011-11_
46	FT304.31F.022	密封盖	SEAL CAP	1	2011-11_
47	GBT893.1-102	孔用弹性挡圈	SNAP RING	1	2011-11_
5	FT304.31F.125	油封衬套	OIL SEAL BUSH	1	2011-11_
6	GBT276-6013	深沟球轴承	BEARING	2	2011-11_
7	GBT893.1-100	孔用弹性挡圈	SNAP RING	2	2011-11_
8	FT304.31F.188	平垫	WASHER	1	2011-11_
9	TB554.311.122	齿轮	GEAR	1	2011-11_

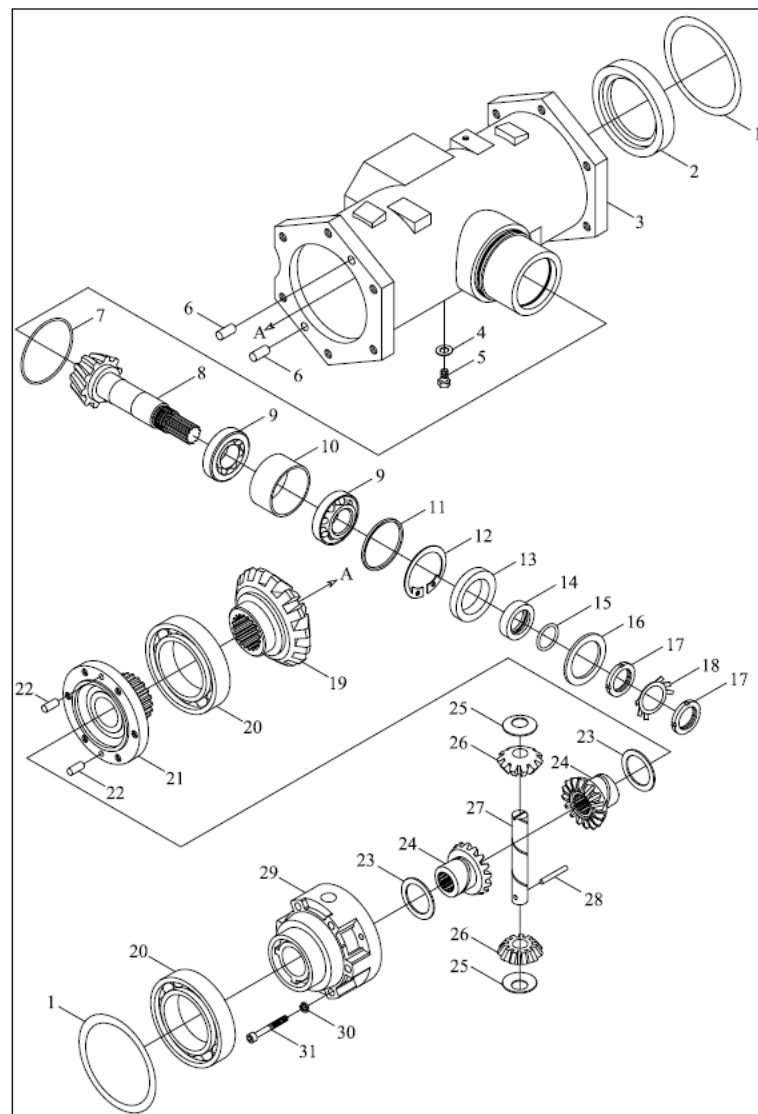
TB604.312A 托架总成



TB604.312A 31.2-托架总成 31.2-BRACKET ASSEMBLY

标号 No.	代号 Code	名称 Description		数量 Quantity	备注 Remark
1	GBT5782-M16X100-10.9-A2L	六角头螺栓	BOLT	6	2011-11_
2	TB604.312-04	垫圈	WASHER	6	2011-11_
3	TB604.312-01	托架	BRACKET	1	2011-11_
3	TB604.312-01	托架	BRACKET	1	2011-11_
4	GBT93-14	垫圈	WASHER	8	2004-01_
4	GBT93-14	垫圈	WASHER	8	2004-01_
5	GBT5783-M14X55-10.9-A3L	六角头螺栓	BOLT	8	2011-11_

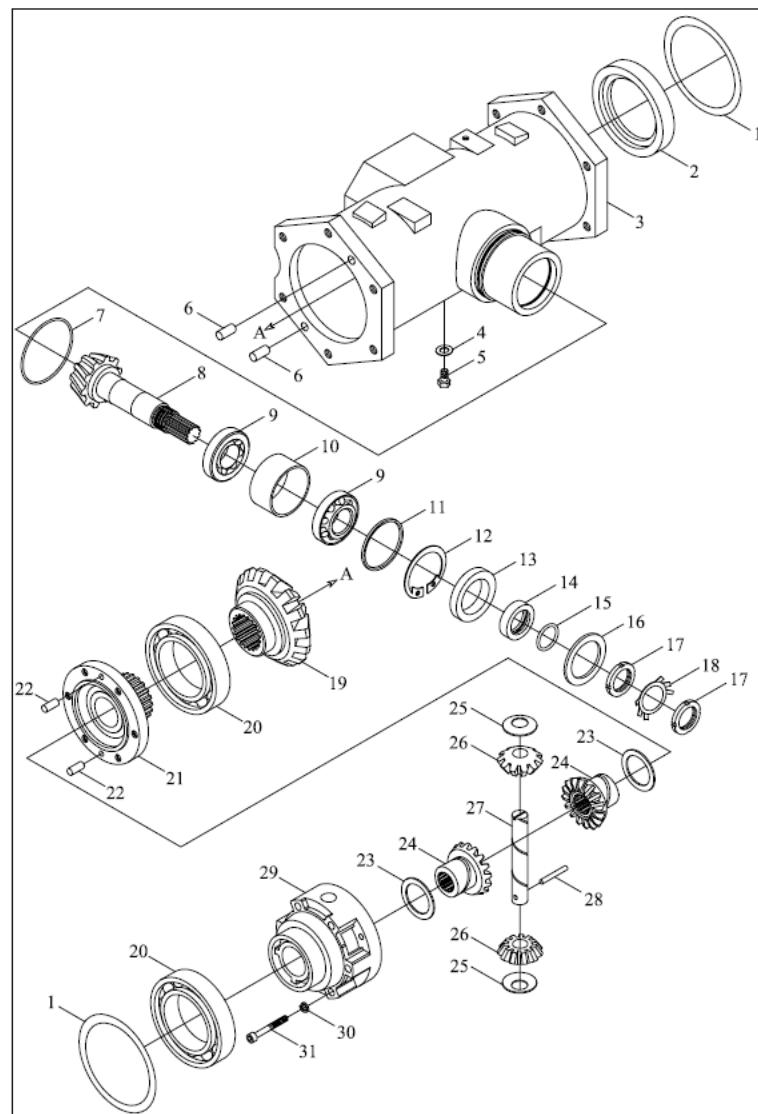
TB604.311A 前驱动桥总成-3



TB604.311A-3 31.3-前驱动桥总成-3 FRONT DRIVING AXLE ASSEMBLY-3

标号 No.	代号 Code	名称 Description	数量 Quantity	备注 Remark
0	TB604.311A.011	前驱动桥分总成	1	2011-11_
1	GBT3452.1-140X3.5G	液压气动用O形橡胶密封圈	2	2011-11_
10	FT304.31F.132	隔套	1	2011-11_
10	FT304.31F.132	隔套	1	2011-11_
11	FT304.31F.133	调整套	1	2011-11_
12	GBT893.1-72	挡圈	1	2011-11_
13	GBT9877.1-50X72X8D	内包骨架旋转轴唇形密封	1	2009-04_
14	FT304.31F.134	油封座	1	2011-11_
15	GBT3452.1-34.5X3.55G	液压气动用O形橡胶密封圈	1	2011-11_
16	FT304.31F.104	铜垫	1	2011-11_
17	GBT810-M30X1.5	小圆螺母	2	2011-11_
18	GBT858-30	止退垫圈	1	2011-11_
19	TB554.311.138	中央传动大螺旋伞齿轮	1	2011-11_
2	TB554.311.191	定位盘	1	2011-11_
20	GBT276-6216	深沟球轴承	2	2011-11_
21	FT304.31F.137	差速器右壳	1	2011-11_
22	GBT119-B8X20	圆柱销	2	2011-11_
22	GBT119-B8X20	圆柱销	2	2011-11_
23	FT304.31F.139	隔圈	2	2011-11_
24	FT304.31F.144	半轴齿轮	2	2011-11_
25	FT304.31F.140	垫圈	2	2011-11_
26	FT304.31F.143	行星齿轮	2	2011-11_
27	FT304.31F.142	销轴	1	2011-11_
28	FT304.31F.141	止动销	1	2011-11_
29	TB554.311.136	差速器左壳	1	2011-11_

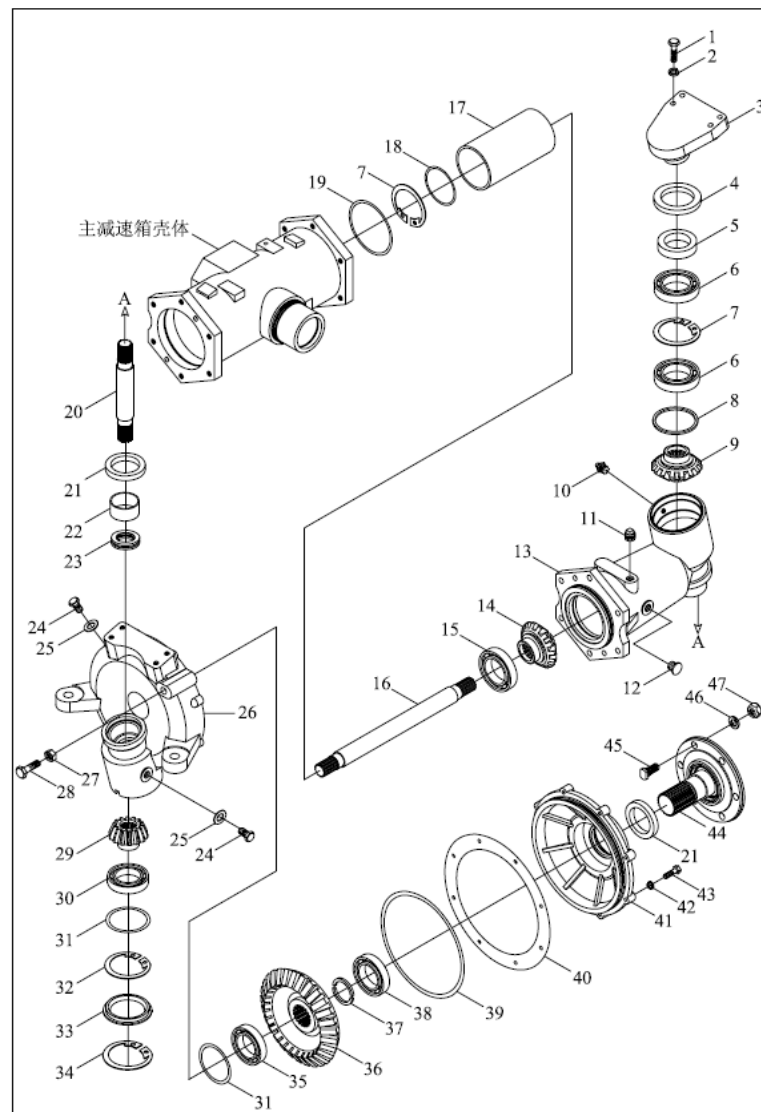
TB604.311A 前驱动桥总成-3



TB604.311A-3 31.3-前驱动桥总成-3(续)

标号 No.	代号 Code	名称 Description		数量 Quantity	备注 Remark
3	TB554.311.129	主减速箱壳体	MAIN REDUCER BOX HOUSING	1	2011-11_
30	GBT93-10	垫圈10	WASHER 10	6	2011-11_
31	GBT70-M10X70	内六角圆柱头螺钉	SCREW	6	2011-11_
4	FT304.31F.106	垫圈	WASHER	1	2011-11_
5	FT304.31F.105	螺塞	SCREW PLUG	1	2011-11_
5	FT304.31F.105	螺塞	SCREW PLUG	1	2011-11_
6	GBT119-B12X20	圆柱销	PIN	4	2011-11_
7	GBT3452.1-90X2.65G	液压气动用O形橡胶密封圈	O-SEAL RING	1	2011-11_
8	TB554.311.131	主动螺旋伞齿轮轴	DRIVING SPIRAL BEVEL GEAR SHAFT	1	2011-11_
9	GBT297-32207	圆锥滚子轴承	BEARING	2	2011-11_

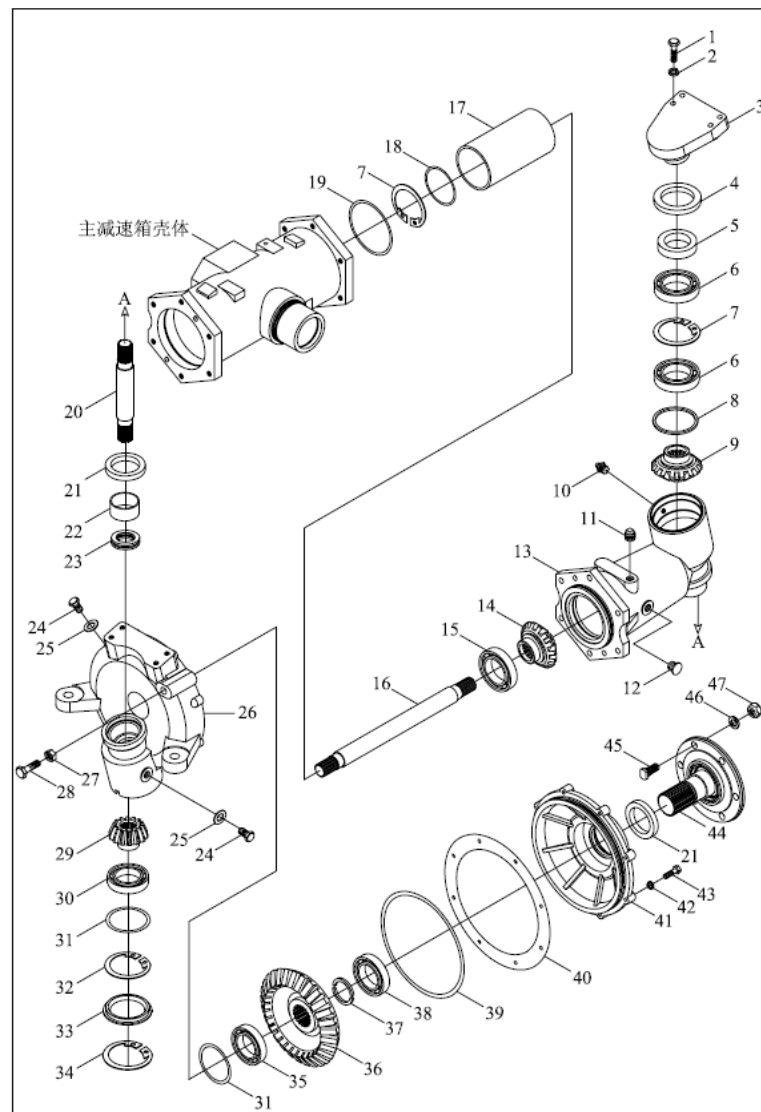
TB604.311A 前驱动桥总成-4



TB604.311A-4 31.4-前驱动桥总成-4 FRONT DRIVING AXLE ASSEMBLY-4

标号 No.	代号 Code	名称 Description	数量 Quantity	备注 Remark
0	TB604.311A.011	前驱动桥分总成	1	2011-11_
1	GBT5783-M12×40	螺栓	4	2011-12_
10	JBT7940.1-M10X1	直通式压注油杯	1	2011-11_
11	QYXF70-Z3/8"	螺塞	1	2011-11_
12	GBT1160.2-A10	油标	1	2011-11_
13	TB604.311A.121	半轴壳体	1	2011-11_
14	TB554.311.126	齿轮	1	2011-11_
15	GBT276-6309	深沟球轴承	1	2011-11_
16	TB604.311A.145	花键轴	1	2011-11_
17	TB604.311A.127	套管	1	2011-11_
18	FT304.31F.123	调整垫片	1	2011-11_
19	TB554.311.130	调整垫片	1	2011-11_
2	GBT93-12	垫圈	4	2011-11_
20	TB554.311.110	端部花键轴	1	2011-11_
21	FT304.31F	浮动油封	2	2011-11_
22	FT304.31F.111	衬套	1	2011-11_
23	GBT301-8107	推力球轴承	1	2011-11_
24	FT304.31F.105	螺塞	2	2011-11_
24	FT304.31F.105	螺塞	2	2011-11_
25	FT304.31F.106	垫圈	2	2011-11_
26	TB604.311A.146	右末端壳体	1	2011-11_
27	GBT6170-M16	螺母	1	2011-11_
28	GBT5783-M16X50-8.8-A3L	六角头螺栓	1	2008-01_
29	FT304.31F.112	端部小齿轮	1	2011-11_
3	FT304.31F.124	连接盖	1	2011-11_

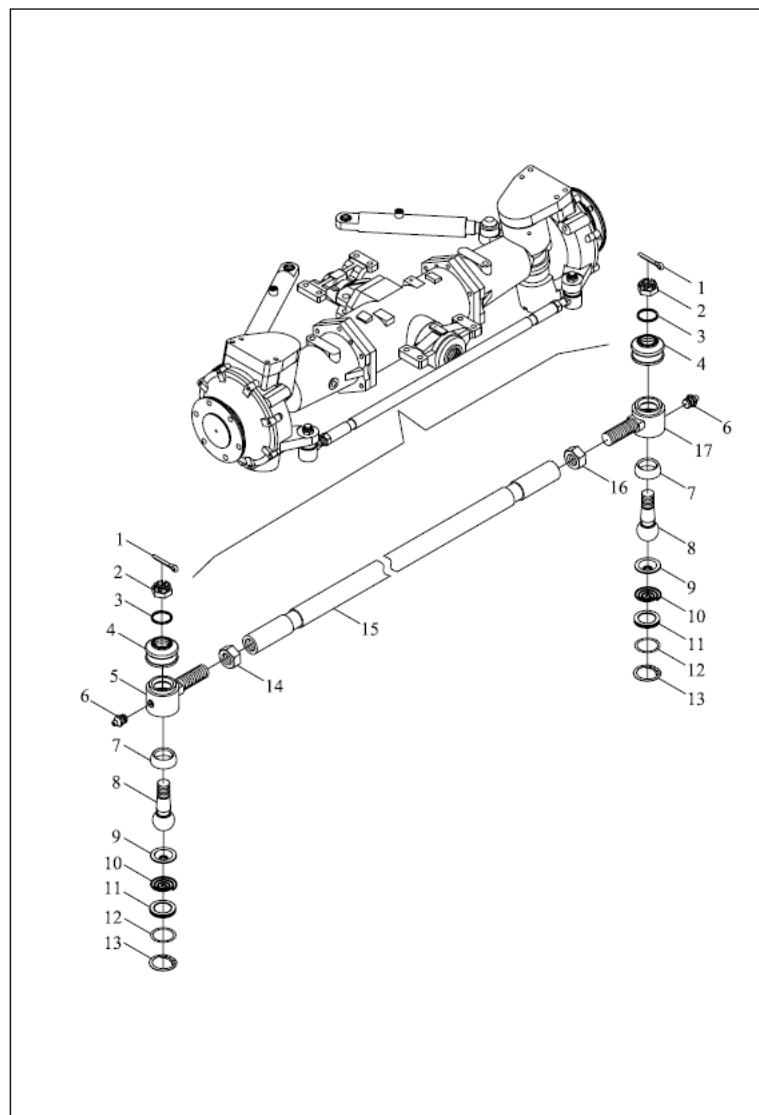
TB604.311A 前驱动桥总成-4



TB604.311A-4 31.4-前驱动桥总成-4(续)

标号 No.	代号 Code	名称 Description		数量 Quantity	备注 Remark
30	GBT276-6308	深沟球轴承	BEARING	1	2011-11_
31	FT304.31F.113	调整垫	ADJUSTING GASKET	2	2011-11_
32	GBT893.1-90	挡圈90	RETAINER RING	1	2011-11_
33	FT304.31F.022	密封盖	SEAL CAP	1	2011-11_
34	GBT893.1-102	孔用弹性挡圈	SNAP RING	1	2011-11_
35	GBT276-6210	深沟球轴承	BEARING	1	2011-11_
36	TB554.311.108	端部大齿轮	BIG END GEAR	1	2011-11_
37	FT304.31F.114	挡圈	RETAINER RING	2	2011-11_
38	GBT276-6310	轴承	BEARING	1	2011-11_
39	GBT3452.1-236X5.3G	液压气动用O形橡胶密封圈	O-SEAL RING	1	2011-11_
4	GBT9877.1-FB8010512	内包骨架旋转轴唇形密封	O RING	1	2011-11_
40	FT304.31F.190	调整垫	ADJUSTING GASKET	1	2011-11_
41	TB554.311.107	端部大盖	BIG END COVER	1	2011-11_
42	GBT93-8-A0P	垫圈	WASHER	8	2008-01_
43	GBT5783-M8X35	六角头螺栓	BOLT	8	2011-11_
44	TB554.311.117	前驱动轴	FRONT DRIVING SHAFT	1	2011-11_
45	FT304.31F.115	滚花螺栓	BOLT	6	2011-11_
46	FT304.31F.205	垫圈	WASHER	6	2011-11_
47	GBT6176-M14X1.5	螺母14X1.5	NUT	6	2008-01_
5	FT304.31F.125	油封衬套	OIL SEAL BUSH	1	2011-11_
6	GBT276-6013	深沟球轴承	BEARING	2	2011-11_
7	GBT893.1-100	孔用弹性挡圈	SNAP RING	2	2011-11_
8	FT304.31F.188	平垫	WASHER	1	2011-11_
9	TB554.311.122	齿轮	GEAR	1	2011-11_

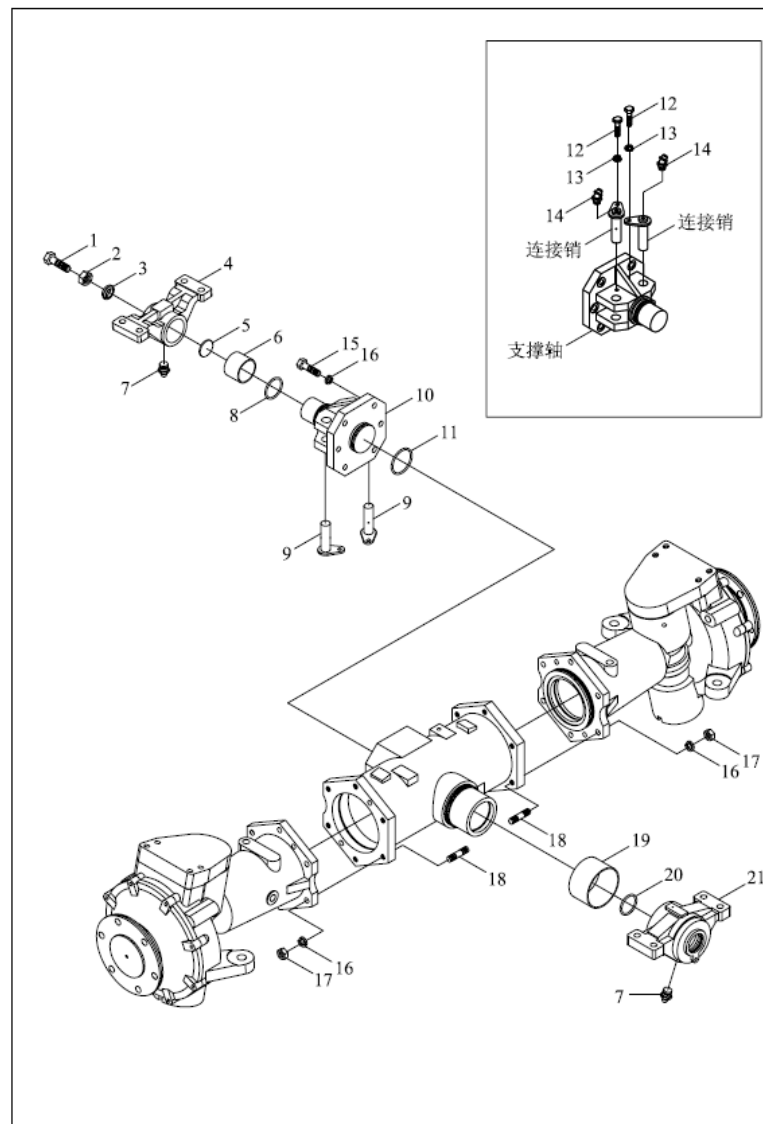
TB604.311A 前驱动桥总成-5



TB604.311A-5 31.5-前驱动桥总成-5 FRONT DRIVING AXLE ASSEMBLY-5

标号 No.	代号 Code	名称 Description		数量 Quantity	备注 Remark
0	TB604.311A.011	前驱动桥分总成	FRONT DRIVING AXLE SUB-ASSEMBLY	1	2011-11_
1	GBT91-3.2X40-A0P	开口销	PIN	2	2008-01_
10	804.31.154	弹簧	SPRING	2	2011-11_
11	FT304.31F.187	压盖	PRESSURE COVER	2	2011-11_
12	GBT3452.1-33.5X1.8G	液压气动用O形橡胶密封圈	O-SEAL RING	2	2011-11_
13	GBT893.1-37	孔用弹性挡圈	SNAP RING	2	2011-11_
14	GBT6171-M20X1.5-LH	1型六角螺母	NUT	1	2008-01_
15	TB604.311A.175	拉杆	PULL ROD	1	2011-11_
16	GBT6171-M20X1.5	1型六角螺母	NUT	1	2011-11_
17	FT304.31F.176A	右球头销座	RIGHT BALL PIN SEAT	1	2011-11_
2	FT304.31F.168	六角开槽螺母	HEXAGON SLOTTED NUT	2	2011-11_
3	FT304.31F.184	卡簧	CIRCLIP	2	2011-11_
4	FT304.31F.026A	防尘皮	DUSTPROOF POCKET	2	2011-11_
5	FT304.31F.174A	左球头销座	LEFT BALL PIN SEAT	1	2011-11_
6	JBT7940.1-M6X1	油杯	OIL CUP	2	2008-01_
6	JBT7940.1-M6X1	油杯	OIL CUP	2	2008-01_
7	804.31.151	球头销座	BALL HEAD PIN SEAT	2	2011-11_
8	FT304.31F.177A	球头销	BALL PIN	2	2011-11_
9	804.31.153	球头销盖	BALL PIN COVER	2	2011-11_

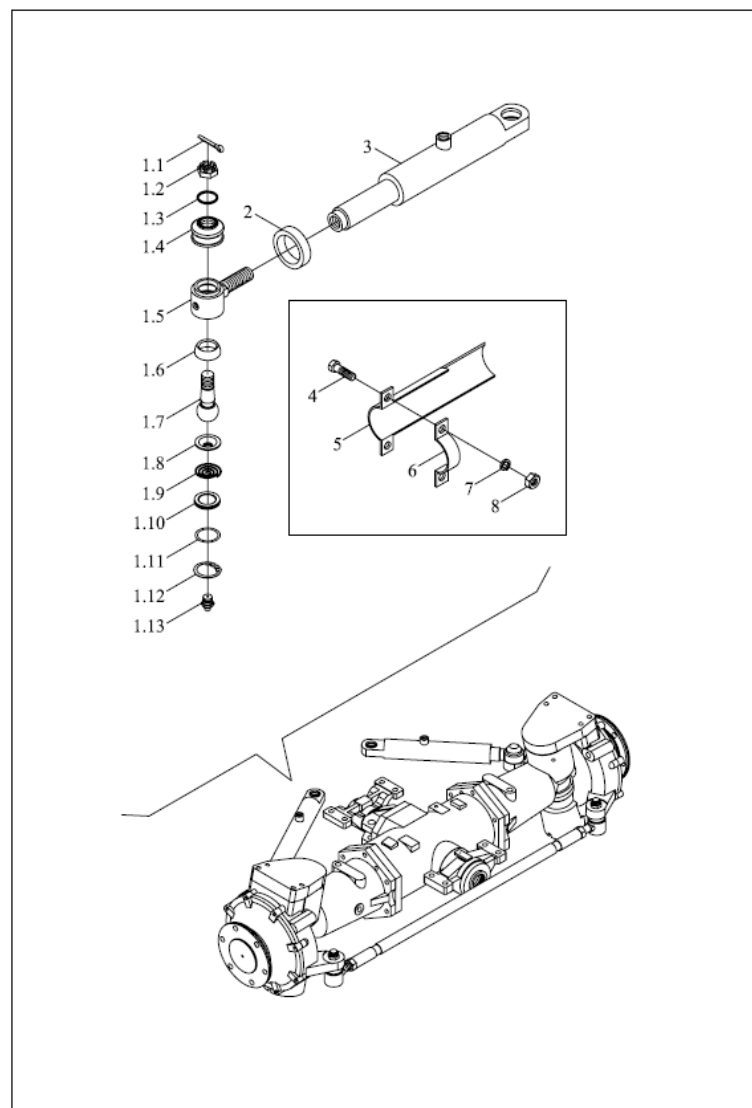
TB604.311A 前驱动桥总成-6



TB604.311A-6 31.6-前驱动桥总成-6 FRONT DRIVING AXLE ASSEMBLY-6

标号 No.	代号 Code	名称 Description		数量 Quantity	备注 Remark
0	TB604.311A.011	前驱动桥分总成	FRONT DRIVING AXLE SUB-ASSEMBLY	1	2011-11_
1	GBT5783-M16X40-A3L	六角头螺栓	BOLT	1	2008-01_
10	TB554.311.147	支撑轴	SHAFT	1	2011-11_
11	GBT3452.1-58X3.55G	液压气动用O形橡胶密封圈	O-SEAL RING	1	2011-11_
12	GBT5783-M8X20-8.8-A2L	六角头螺栓	BOLT	2	2008-01_
13	GBT93-8	垫圈8	WASHER 8	2	2011-11_
14	GBT7940.2-45° M8X1	油杯	OIL CUP	2	2011-11_
15	GBT5783-M12X40-8.8-A3L	六角头螺栓	BOLT	6	2008-01_
16	GBT93-12	垫圈	WASHER	18	2011-11_
17	GBT6170-M12	螺母	NUT	12	2011-11_
18	GBT900-AM12X40-8.8-Zn.D	双头螺柱	8.8-A3L STUD	12	2011-11_
19	FT304.31F.156	滑动轴承	SLIDING BEARING	1	2008-01_
2	GBT6170-M16	螺母	NUT	1	2011-11_
20	GBT3452.1-45X3.55G	液压气动用O形橡胶密封圈	O-SEAL RING	1	2011-11_
21	FT304.31F.155	后支撑轴座	REAR SUPPORTING SHAFT SEAT	1	2011-11_
3	FT304.31F.025	密封垫	SEAL GASKET	1	2011-11_
4	TB554.311.149	前支撑轴座	FRONT SUPPORT SHAFT SEAT	1	2011-11_
5	FT304.31F.150	垫片	WASHER	1	2011-11_
6	FT304.31F.148	滑动轴承	SLIDING BEARING	1	2011-12_
7	GBT7940.1-M8X1	油杯	OIL CUP	2	2011-11_
8	GBT3452.1-47.5X3.55G	液压气动用O形橡胶密封圈	O-SEAL RING	1	2011-11_
9	FT304.31F.024	连接销	CONNECTING PIN	2	2011-11_

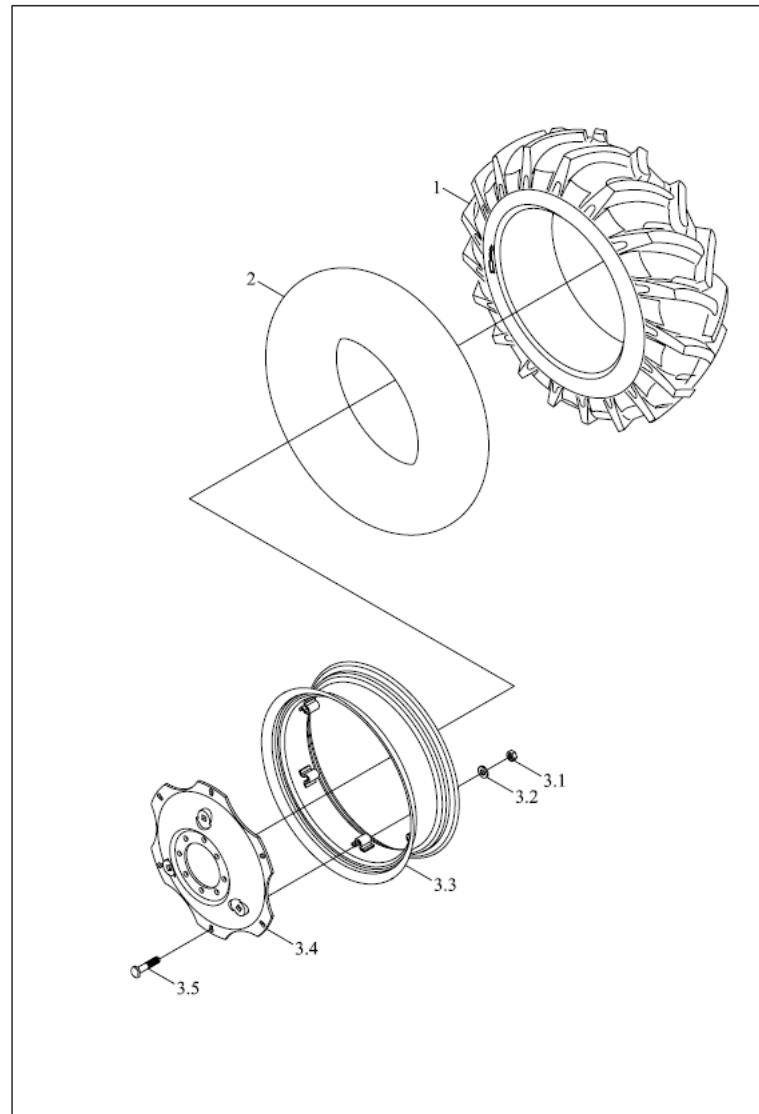
TB604.311A 前驱动桥总成-7



TB604.311A-7 31.7-前驱动桥总成-7 FRONT DRIVING AXLE ASSEMBLY-7

标号 No.	代号 Code	名称 Description	数量 Quantity	备注 Remark
0	TB604.311A.011	前驱动桥分总成	1	2011-11_
1	TB604.311A.033	球头销总成	2	2011-11_
1.101	TB604.311A.187	压盖	1	2011-11_
1.11	GBT3452.1-33.5X1.8G	液压气动用O形橡胶密封圈	1	2011-11_
1.12	GBT893.1-37	孔用弹性挡圈	1	2011-11_
1.13	JBT7940.1-M6X1	油杯	1	2011-11_
1.13	JBT7940.1-M6X1	油杯	1	2011-11_
1.2	FT304.31F.168	六角开槽螺母	1	2011-11_
1.3	FT304.31F.184	卡簧	1	2011-11_
1.4	FT304.31F.026A	防尘皮	1	2011-11_
1.5	TB604.311A.176	球头销座	1	2011-11_
1.5	TB604.311A.176	球头销座	1	2011-11_
1.6	804.31.151	球头销座	1	2011-11_
1.7	FT304.31F.177A	球头销	1	2011-11_
1.8	804.31.153	球头销盖	1	2011-11_
1.9	804.31.154	弹簧	1	2011-11_
2	TB604.311A.197	护板支承套	2	2011-11_
3	TB604.311A.019	液压缸	2	2011-11_
4	GBT5783-M6X25	六角头螺栓	4	2011-11_
5	TB604.311A.196	护板	2	2011-11_
6	TB604.311A.198	护板夹	2	2011-11_
7	GBT93	标准型弹簧垫圈	4	2011-12_
8	GBT6170-M6	螺母	4	2011-11_

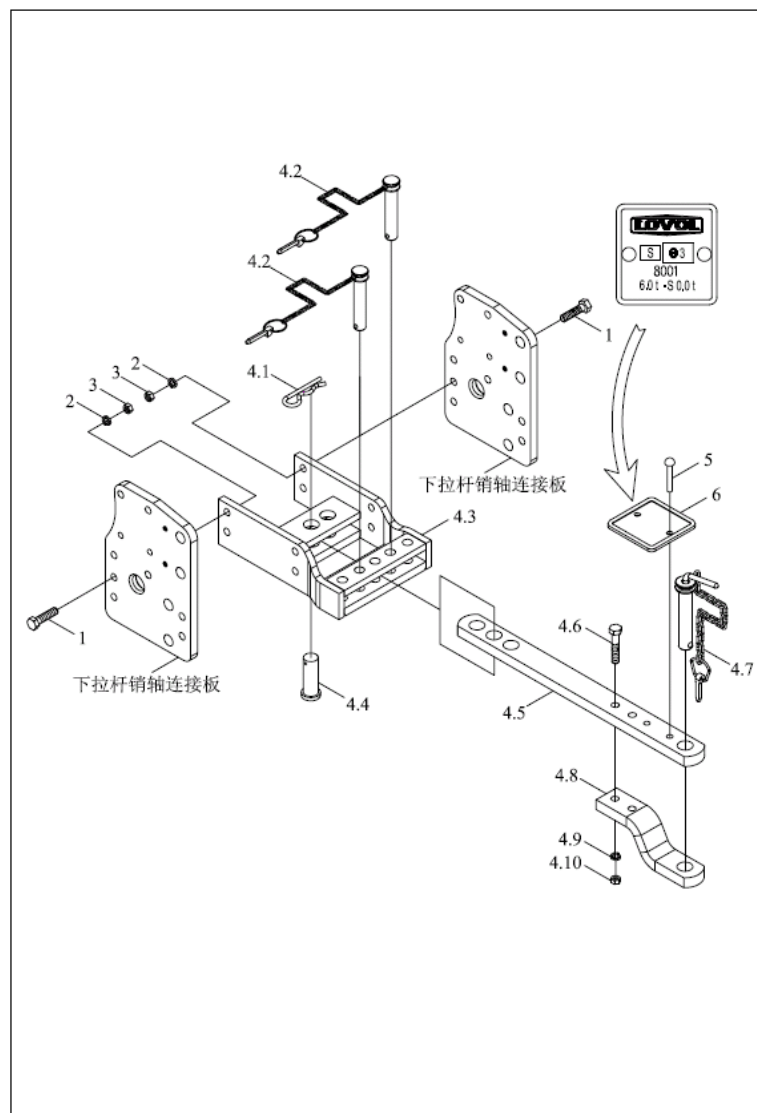
TB504.34 后驱动轮总成



TB504.34 34-后驱动轮总成 34-REAR DRIVE WHEEL ASSEMBLY

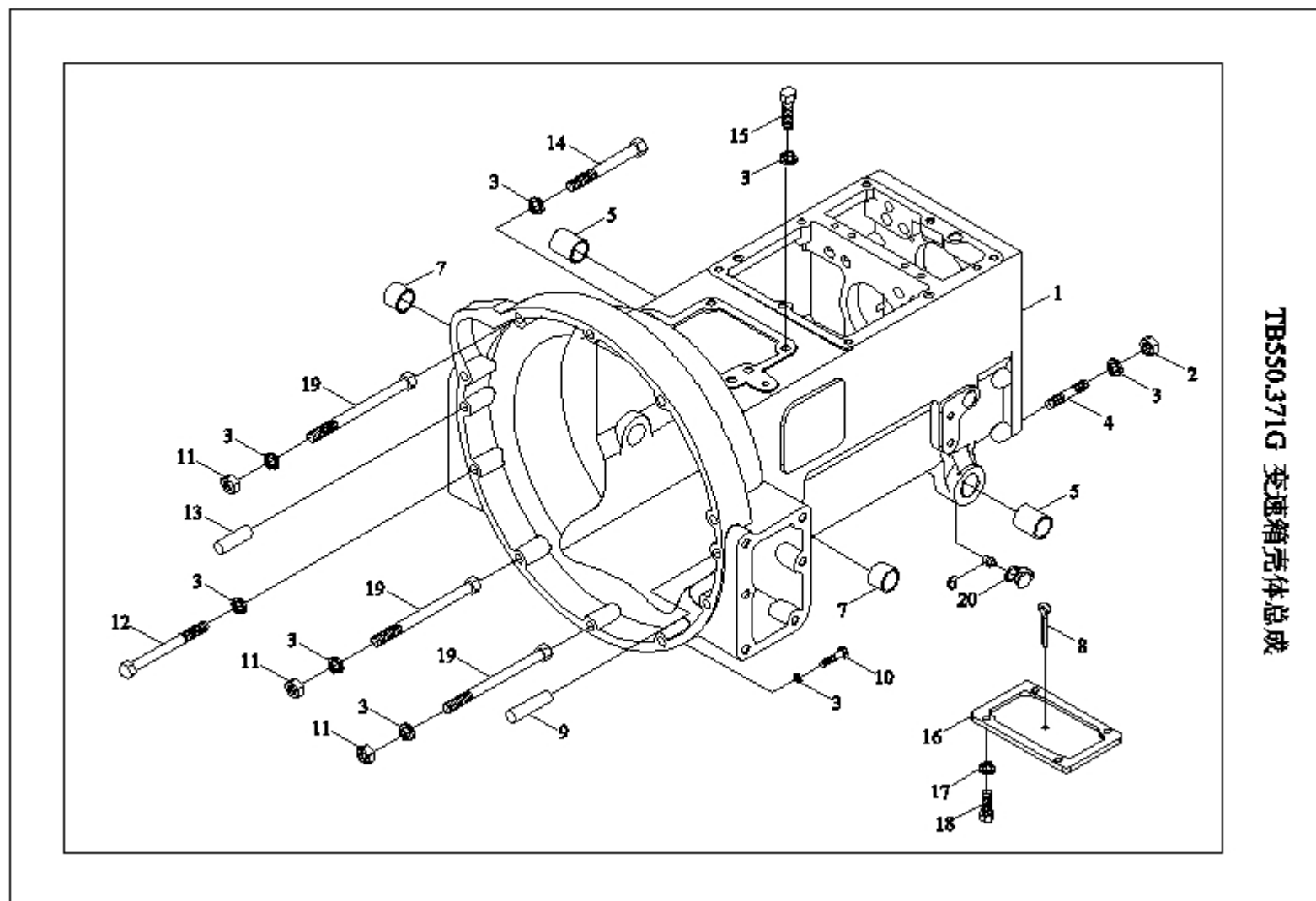
标号 No.	代号 Code	名称 Description		数量 Quantity	备注 Remark
1	GBT2979-12.4-28-8PR	拖拉机驱动轮普通断面斜交结构外胎	DRIVING WHEEL OUTER TUBE	1	2011-11_
2	GBT2979-12.4-28	拖拉机驱动轮内胎	DRIVING WHEEL INNER TUBE	1	2011-11_
3	TB504.34.1	轮辋总成	RIM ASSEMBLY	1	2011-11_
3.1	GBT6171-M16X1.5-A3L	1型六角螺母	NUT	6	2011-11_
3.2	FT300.34.106	垫圈	WASHER	6	2011-11_
3.3	TB504.34.1.1	轮辋焊合	WHEEL RIM WELD	1	2011-11_
3.4	FT400.34.103b	轮辐	SPOKE	1	2011-11_
3.5	FT300.34.102	轮辋螺栓	RIM BOLT	6	2011-11_

TB400.35 总牵引机构总成



TB400.35 35-总牵引机构总成 35-MAIN TRACTION MECHANISM ASSEMBLY

标号 No.	代号 Code	名称 Description		数量 Quantity	备注 Remark
1	GBT5783-M16X60-A3L	六角头螺栓	BOLT	8	2011-11_
2	GBT93-16-A0P	弹簧垫圈	SPRING WASHER	8	2011-11_
3	GBT6171-M16-A3L	1型六角螺母	NUT	8	2011-11_
4	TB400.35.1	牵引装置总成	TRACTION DEVICE ASSEMBLY	1	2011-11_
4.1	FT65.53.103	弹性锁销	SPRING LOCK PIN	1	2011-11_
4.10	GBT6170-M16-A3L	螺母 M16-A3L	NUT	2	2011-11_
4.2	TB400.35.1.1	限位销及锁销总成	LIMITING PIN AND LOCK PIN ASSEMBLY	2	2011-11_
4.3	FT300.35A.012a	牵引架焊合	TRACTION FRAME	1	2011-11_
4.4	FT300.35A.103	连接销	CONNECTING PIN	1	2011-11_
4.5	TB400.35.1-01	摆杆	UPPER PART U-HOOK	1	2011-11_
4.6	TB400.35.1-03	螺栓	BOLT	2	2004-01_
4.7	TB400.35.1.2	牵引销及锁销总成	TOWING PIN AND LOCK PIN ASSEMBLY	1	2011-11_
4.8	TB400.35.1-02	连接摆杆	CONNECTING SWING ROD	1	2011-11_
4.9	GBT93-16-A0P	弹簧垫圈	SPRING WASHER	2	2011-11_
5	GBT827-3X8	标牌铆钉	SCUTCHEON RIVET	2	2011-11_
6	TB400.35-01	牵引标识牌	TOWING SIGN PLATE	1	2011-11_

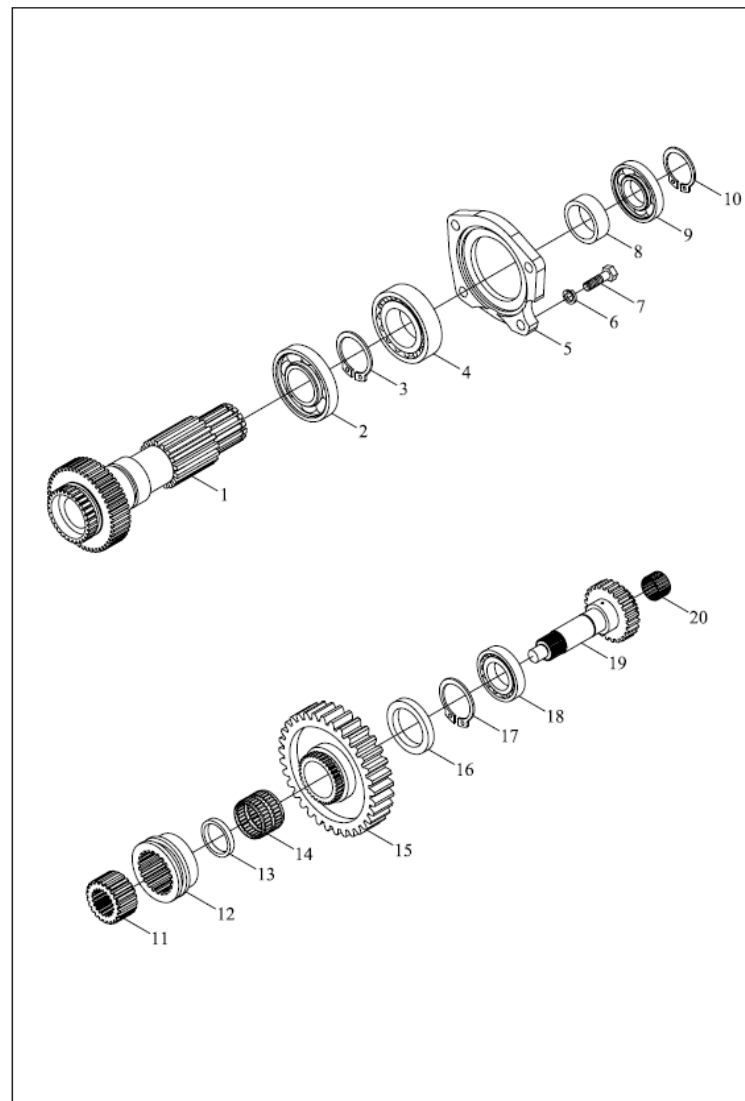


TB550.371G 变速箱壳体总成

TB550.371G 37.1-变速箱壳体总成 37.1-GEARBOX HOUSING ASSEMBLY

标号 No.	代号 Code	名称 Description		数量 Quantity	备注 Remark
1	TB550.371E-01	变速箱壳体	GEAR BOX	1	
10	GBT5783-M12X40-8.8-A2L	六角头螺栓	BOLT	1	
11	GBT6170-M12-8-A3L	1型六角螺母	NUT	6	
12	GBT5782-M12X110-8.8-A2L	六角头螺栓	BOLT	2	
13	GBT119.1-12m6X22-A0P	圆柱销	PIN	1	
14	GBT5782-M12X70-8.8-A2L	六角头螺栓	BOLT	4	
15	GBT5783-M12X35-8.8-A3L	六角头螺栓	BOLT	5	
16	TB400.371E-03	下堵盖	LOWER PLUG COVER	1	
17	GBT93-10-A0P	标准型弹簧垫圈	WASHER	4	
18	GBT5783-M10X25-8.8-A3L	六角头螺栓	BOLT	4	
19	TB550.371-01	螺栓	BOLT	3	
2	GBT6171-M12X1.5-8-A3L	1型六角螺母	NUT	10	
20	TD800.311C.1-01	油杯防尘帽	DUSTPROOF CAP OF OIL CUP	2	
20	TD800.311C.1-01	油杯防尘帽	DUSTPROOF CAP OF OIL CUP	2	
3	GBT93-12-A0P	弹簧垫圈	SPRING WASHER	24	
4	GBT899-AM12-M12X1.5X35-8.8-A3L	双头螺柱	8.8-A3L STUD	10	
5	FT300.37.158	踏板轴衬套	PEDAL SHAFT BUSH	2	
6	JBT7940.1-1995-M10X1	油杯	OIL CUP	2	
7	FT300.37.159	分离叉轴衬套	RELEASE FORK SHAFT BUSH	2	
8	GBT91-6.3X40-A0P	开口销	PIN	1	
9	GBT119.1-12m6X30-A0P	圆柱销	PIN	3	
9	GBT119.1-12m6X30-A0P	圆柱销	PIN	3	

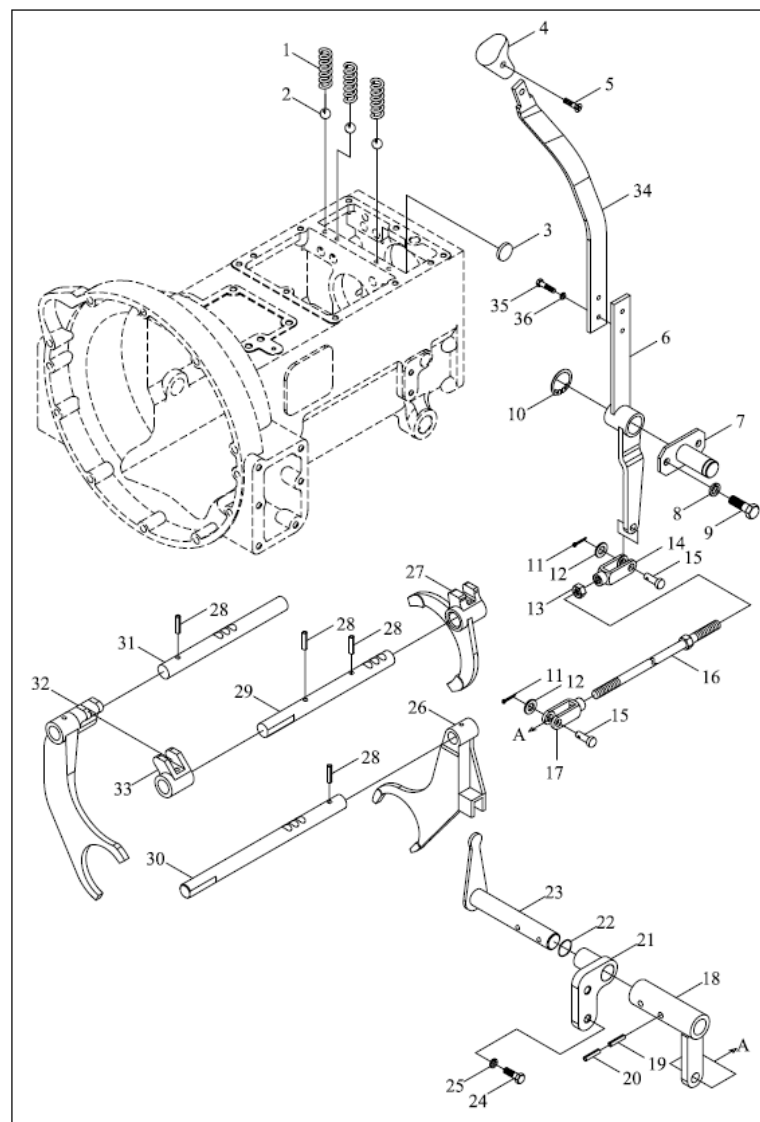
TB550.373A 变速箱副变速总成



TB550.373A 37.3-副变速总成 37.3-AUXILIARY GEARSHIFT ASSEMBLY

标号 No.	代号 Code	名称 Description	数量 Quantity	备注 Remark
1	TB550.373A-01	副变速主动齿轮轴	1	2011-11_
10	GBT894.1-40	挡圈40	1	2011-11_
11	TB550.373-09	倒档齿轮啮合齿座	1	2011-11_
11	TB550.373-09	倒档齿轮啮合齿座	1	2011-11_
12	TB550.373A-02	副变速换挡套	1	2011-11_
13	FT300.37.111	隔套	1	2011-11_
14	QLWZB120-K35X43X34ZW	滚针轴承	1	2011-11_
15	FT450.37.103	副变速从动齿轮	1	2011-11_
16	TB550.373-11a	限位挡圈	1	2011-11_
17	GBT894.1-35	轴用弹性挡圈	1	2011-11_
18	GBT283-NUP307E	圆柱滚子轴承	1	2011-11_
19	TB550.373-10	副变速从动轴	1	2011-11_
2	GBT283-NUP210E	轴承	1	2011-11_
20	JBT7918-K25X31X20	向心滚针和保持架组件	1	2008-01_
3	GBT894.1-50	轴用弹性挡圈	1	2011-11_
4	GBT283-NUP308E	圆柱滚子轴承	1	2011-11_
5	FT300.37.139	副变速轴承盖	1	2011-11_
6	GBT93-10-A0P	标准型弹簧垫圈	4	2011-11_
7	GBT5783-M10X30-A3L	螺栓	4	2011-11_
8	FT300.37J.180	隔套	1	2011-11_
9	GBT283-NF208	圆柱滚子轴承	1	2011-11_

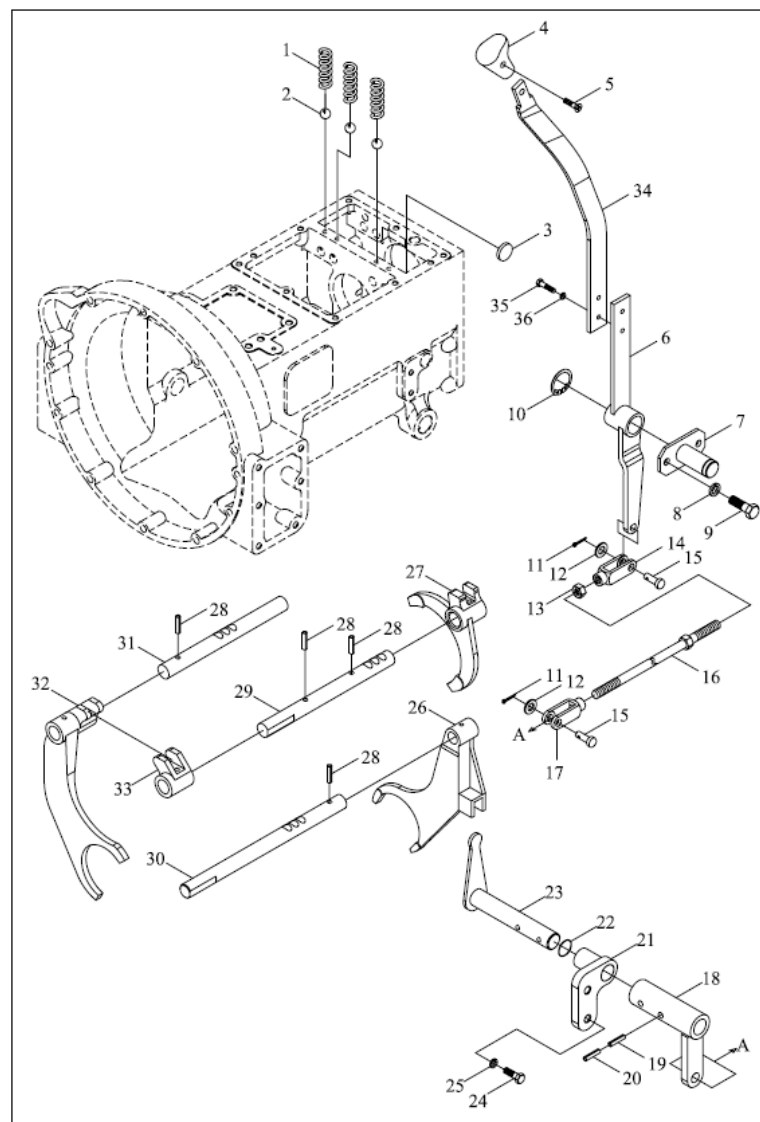
TB520.374B 变速箱操纵机构总成-1



TB520.374B-1 37.4.1变速箱操纵机构总成-1 37.4TRANSMISSION CONTROL MECHANISM ASSEMBLY-1

标号 No.	代号 Code	名称 Description		数量 Quantity	备注 Remark
1	FT300.37.135	拨叉轴定位弹簧	FORK SHAFT LOCATING SPRING	3	2011-11_
10	GBT894.2-22	轴用弹性挡圈	SNAP RING	1	2011-11_
11	GBT91-3.2X32-A0P	开口销	PIN	2	2011-11_
12	GBT97.1-10-AOP	垫圈	WASHER	2	2011-11_
13	GBT6170-M10-A3L	螺母	NUT	1	2011-11_
14	FT300.43.108	拉杆前叉	PULL ROD FRONT FORK	1	2011-11_
15	GBT882-B10X30	销轴	PIN	2	2011-11_
16	TB550.374A-09	副变速拉杆	AUXILIARY GEARSHIFT PULL ROD	1	2011-11_
17	FT300.43.110	拉杆后叉	PULL ROD REAR FORK	1	2011-11_
18	TB550.374A.2	副变速摇臂焊合	AUXILIARY GEARSHIFT ROCKER WELDMENT	1	2011-11_
19	GBT879.1-6X26	弹性圆柱销	PIN	2	2011-11_
2	GBT308-8-G100-B	钢球	BALL	3	2011-11_
20	GBT879.2-3.5X24	弹性圆柱销	PIN	2	2011-11_
21	TB550.374A-08	拨杆轴套	LEVER SHAFT SLEEVE	1	2011-11_
22	GBT3452.1-13.2X1.80G	液压气动用O形橡胶密封圈	O-SEAL RING	1	2011-11_
23	TB550.374A.1	拨杆轴焊合	DIAL ROD WELDMENT	1	2011-11_
24	GBT5782-M10X45-8.8-A3L	六角头螺栓	BOLT	2	2008-01_
25	GBT93-10-A0P	标准型弹簧垫圈	WASHER	3	2011-11_
26	TB550.374A-07	副变速拨叉	AUXILIARY GEARSHIFT FORK	1	2011-11_
27	FT300.37.147	Ⅲ-Ⅳ档拨叉	Ⅲ-Ⅳ FORK	1	2011-11_
28	GBT879.1-5X26	弹性圆柱销	PIN	4	2011-11_
29	TB550.374A-01	Ⅲ-Ⅳ档拨叉轴	Ⅲ-Ⅳ FORK SHAFT	1	2011-11_
3	Q72114	塞片	PLUG PIECE	1	2011-11_
30	TB550.374A-03	副变速拨叉轴	AUXILIARY GEARSHIFT FORK SHAFT	1	2011-11_
31	TB550.374A-02	I-II档拨叉轴	I-II GEAR FORK SHAFT	1	2011-11_

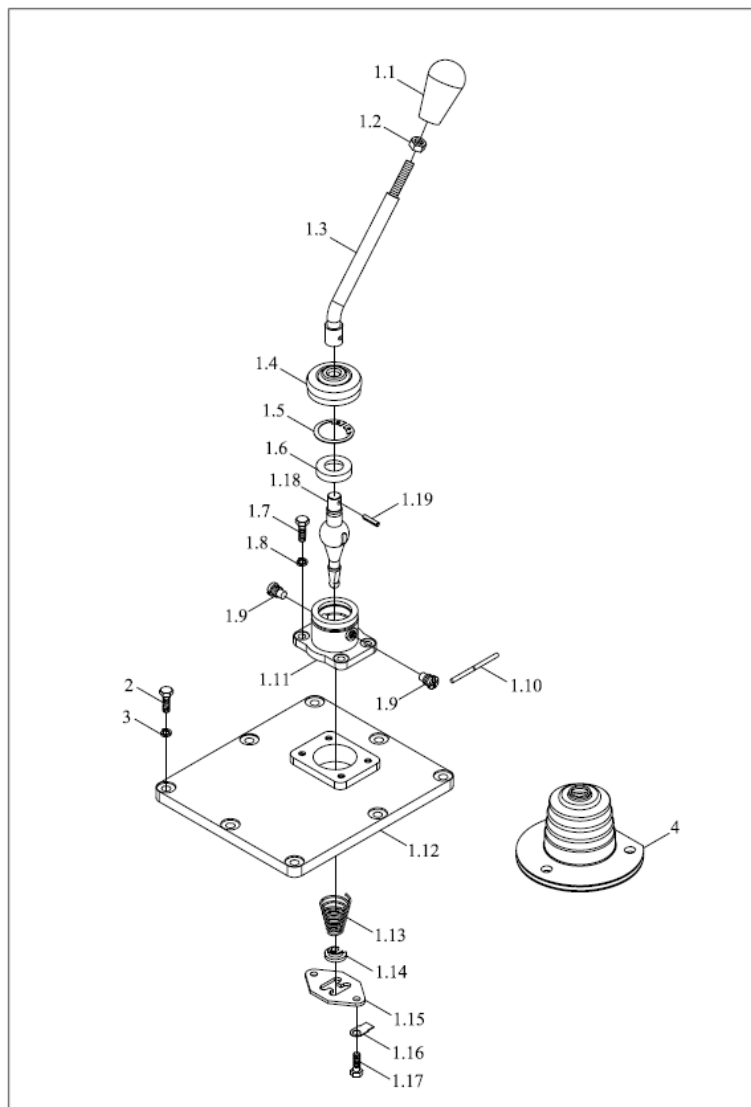
TB520.374B 变速箱操纵机构总成-1



TB520.374B-1 37.4.1变速箱操纵机构总成-1(续)

标号 No.	代号 Code	名称 Description		数量 Quantity	备注 Remark
32	TB550.374A-06	I-II档拨叉	I-II GEAR FORK	1	2011-11_
33	TB550.374A-05	III-IV档拨头	III-IV FORK HEAD	1	2011-11_
34	TB520.374B-03	副变速操纵板	AUXILIARY GEARSHIFT CONTROL PLATE	1	2011-11_
35	GBT5786-M8X1X20-8.8-A2L	六角头螺栓	BOLT	2	2011-11_
36	GBT93-8-AOP	弹簧垫圈	SPRING WASHER	2	2011-11_
4	TB520.374B-02	手柄头	HANDLE HEAD	1	2011-11_
4	TB520.374B-02	手柄头	HANDLE HEAD	1	2011-11_
5	GBT68-M4X10-A2L	开槽双头螺钉		1	2011-11_
6	TB520.374B.2	副变速操纵杆压合	AUXILIARY GEARSHIFT CONTROLLING ROD	1	2011-11_
7	TB550.374A.5	支撑座焊合	WELDMENT SUPPORT SEAT WELDMENT	1	2011-11_
8	GBT93-8-A0P	垫圈		2	2011-11_
9	GBT5783-M8X20-A2L	螺栓	WASHER BOLT	2	2011-11_

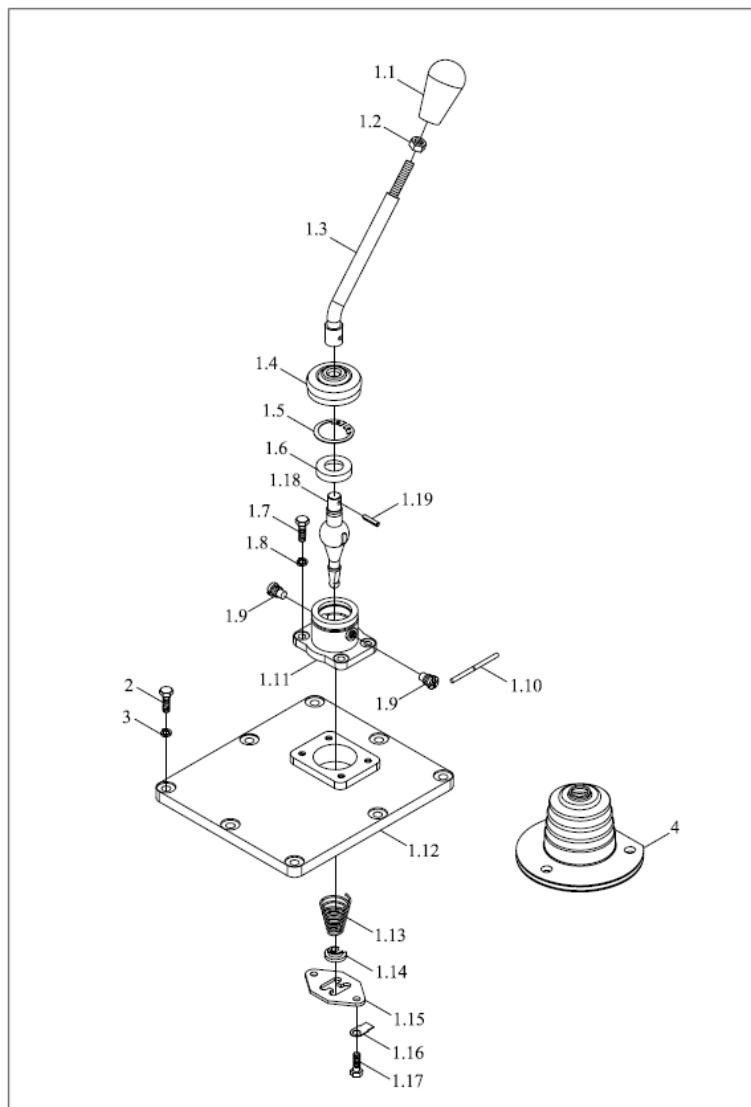
TB520.374B 变速箱操纵机构总成-2



TB520.374B-2 37.4.2变速箱操纵机构总成-2 GEARBOX CONTROL MECHANISM ASSEMBLY-2

标号 No.	代号 Code	名称 Description	数量 Quantity	备注 Remark
1	TB520.374B.1	变速箱盖总成	1	2011-11_
1.1	TF1004.374-02-SZ-1.4X250	低碳钢丝	2	2011-11_
1.1	TB550.374A.3.1	主变速操纵手柄总成	1	2011-11_
1.11	FT300.37.180	变速杆支座	1	2011-11_
1.12	TB550.374A.3-01	变速箱上盖	1	2011-11_
1.12	TB550.374A.3-01	变速箱上盖	1	2011-11_
1.13	FT300.37.165	变速杆弹簧	1	2011-11_
1.13	FT300.37.165	变速杆弹簧	1	2011-11_
1.14	FT300.37.164	变速杆弹簧挡圈	1	2011-11_
1.15	FT300.37.162	主变速导板	1	2011-11_
1.16	GBT854-8	单耳制动垫圈	2	2011-11_
1.17	GBT5783-M8X16-A2L	螺栓	2	2011-11_
1.18	TB450.374B.1-01	下操纵杆	2	2011-11_
1.19	GBT879.1-6X28	弹性圆柱销	2	2011-11_
1.19	GBT879.1-6X28	弹性圆柱销	2	2011-11_
1.2	GBT6172.1-M10-A3L	螺母	1	2011-11_
1.3	TB450.374B.1.1	主变速杆焊合	1	2011-11_
1.4	FT300.37.166a	变速杆防尘罩	1	2011-11_
1.5	GBT893.1-40	挡圈	1	2011-11_
1.6	FT800A.37.305	尼龙座	1	2011-11_
1.7	GBT5781-M8X20-A3L	六角头螺栓	4	2011-11_
1.8	GBT93-8-A0P	垫圈	4	2011-11_
1.9	FT800A.37.326	变速杆定位销	1	2011-11_
2	GBT5783-M10X30-A3L	螺栓	8	2011-11_
3	GBT93-10-A0P	标准型弹簧垫圈	8	2011-11_

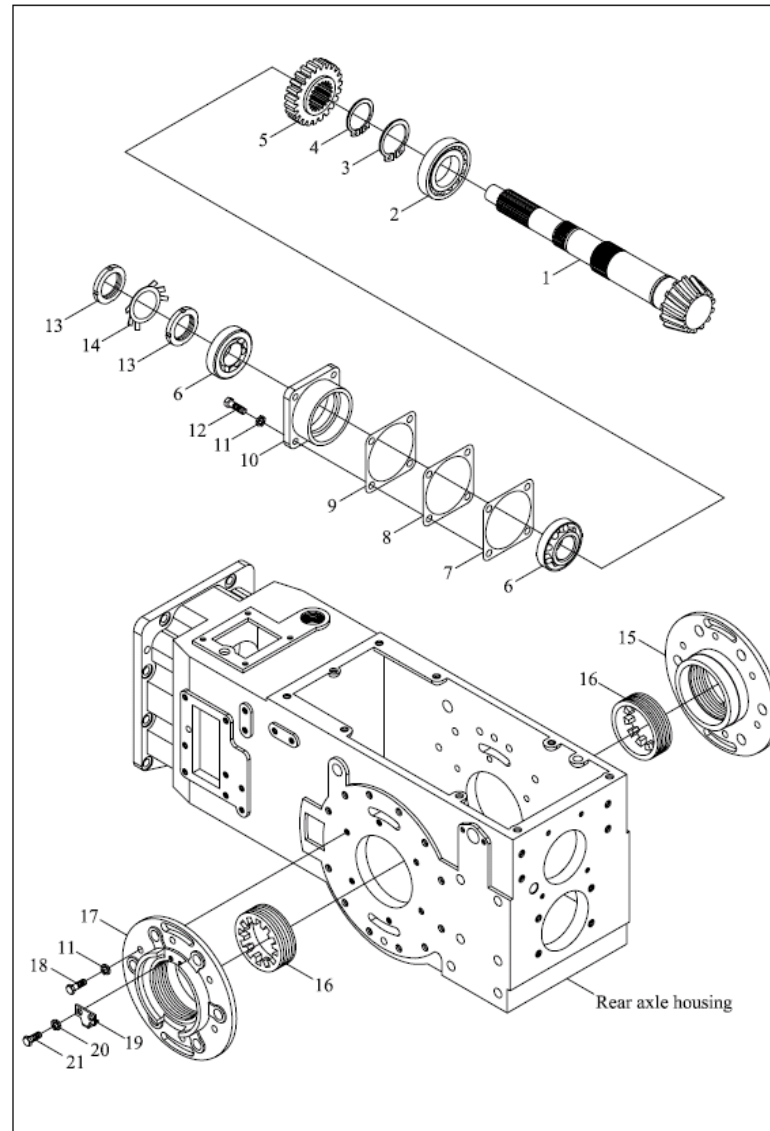
TB520.374B 变速箱操纵机构总成-2



TB520.374B-2 37.4.2变速箱操纵机构总成-2(续)

标号 No.	代号 Code	名称 Description	数量 Quantity	备注 Remark
4	TB520.374B-01	操纵杆防尘罩 CONTROL ROD DUSTPROOF COVER	1	2011-11_

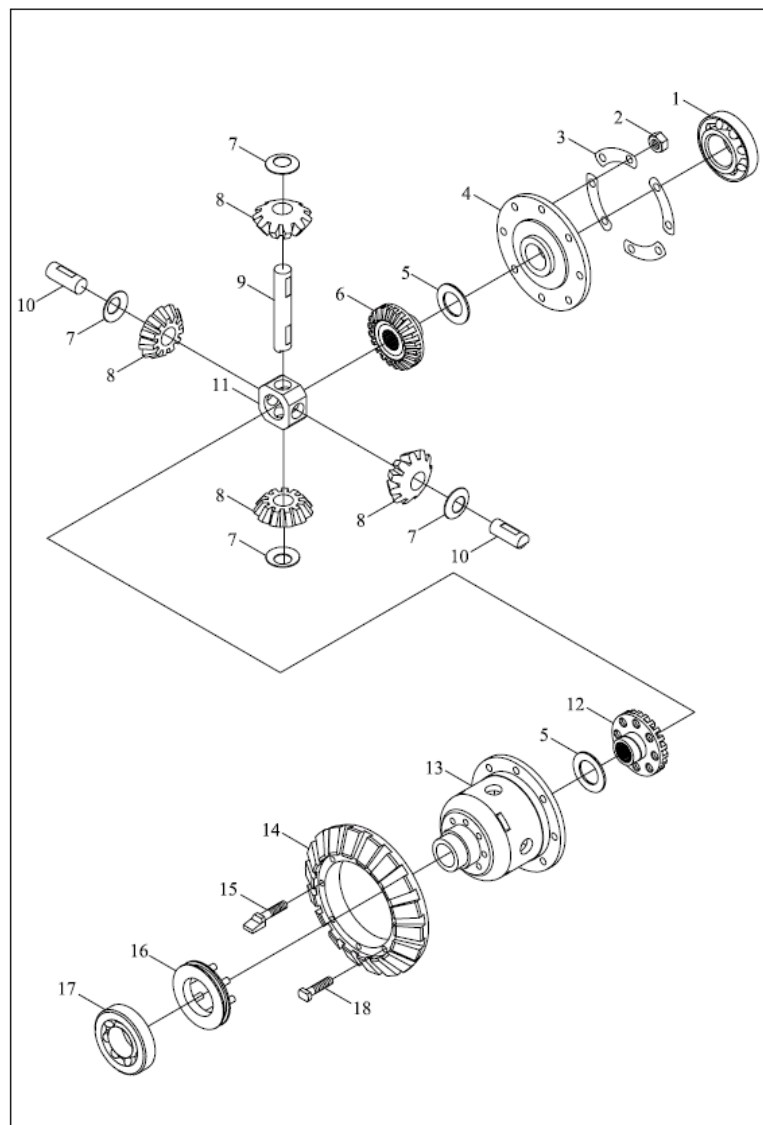
TB554.382 Rear axle central drive assembly -1



TB554.382-1 38.2.1-后桥中央传动总成-1 REAR AXLE CENTRAL TRANSMISSION ASSEMBLY-1

标号 No.	代号 Code	名称 Description		数量 Quantity	备注 Remark
1	TB450.38J-05	小圆锥齿轮轴	SMALL TAPER GEAR SHAFT	1	2011-11_
10	FT300.38.117	轴承座	BEARING SEAT	1	2011-11_
11	GBT93-10-A0P	标准型弹簧垫圈	WASHER	16	2011-11_
12	GBT5783-10X30-A3L	六角头螺栓	BOLT	4	2011-11_
13	GBT812-M39X1.5	圆螺母	ROUND NUT	2	2011-11_
14	GBT858-39	圆螺母用止动垫圈	THRUST RING	1	2011-11_
15	FT300.38.177	右差速器轴承座	RIGHT DIFFERENTIAL BEARING SEAT	1	2011-11_
16	FT300.38.151	调整螺母	ADJUSTING NUT	2	2011-11_
17	FT300.38.142	左差速器轴承座	LEFT DIFFERENTIAL BEARING SEAT	1	2011-11_
18	GBT5783-10X25-A3L	六角头螺栓	BOLT	12	2011-11_
19	FT300.38.161	锁片	LOCK SHIM	2	2011-11_
2	GBT283-NUP2210E	圆柱滚子轴承	BEARING	1	2011-11_
20	GBT93-8-A0P	垫圈	WASHER	4	2011-11_
21	TB554.382-01	螺栓	BOLT	4	2011-11_
3	GBT894.1-50	轴用弹性挡圈	SNAP RING	1	2011-11_
4	GBT894.1-48	挡圈	RETAINER RING	1	2011-11_
5	TB554.382-02	前驱动输出齿轮	FRONT DRIVE OUTPUT GEAR	1	2011-11_
6	GBT297-32208	圆锥滚子轴承	BEARING	2	2011-11_
7	FT300.38.118	锥齿轮轴调整垫片	TAPER GEAR SHAFT ADJUSTING GASKET	9999	2011-11_
8	FT300.38.119	锥齿轮轴调整垫片	TAPER GEAR SHAFT ADJUSTING GASKET	9999	2011-11_
9	FT300.38.120	锥齿轮轴调整垫片	TAPER GEAR SHAFT ADJUSTING GASKET	9999	2011-11_

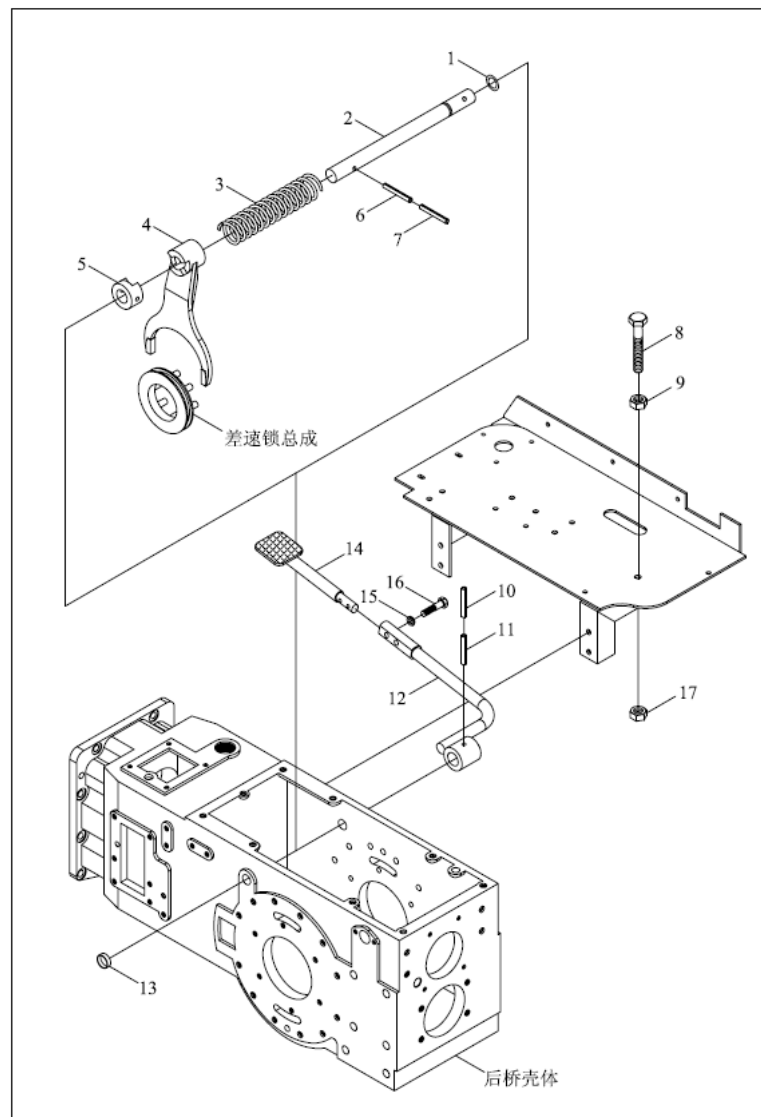
TB554.382 Rear axle central drive assembly -2



TB554.382-2 38.2.2-后桥中央传动总成-2 REAR AXLE CENTRAL TRANSMISSION ASSEMBLY-2

标号 No.	代号 Code	名称 Description	数量 Quantity	备注 Remark
0	FT300.38.012	差速器总成	1	2011-11_
1	GBT297-32013	圆锥滚子轴承	1	2011-11_
10	FT300.38.183	短行星齿轮轴	2	2011-11_
11	FT300.38.184	中心环	1	2011-11_
12	FT300.38.143	左半轴齿轮	1	2011-11_
13	FT300.38.180	差速器壳体	1	2011-11_
14	FT300.38.141	大圆锥齿轮	1	2011-11_
15	FT300.38.185	行星齿轮轴止推螺栓	4	2011-11_
16	FT300.38.019	差速锁总成	1	2011-11_
16	FT300.38.019	差速锁总成	1	2011-11_
17	GBT297-30211	圆锥滚子轴承	1	2011-11_
18	FT300.38.186	大锥齿轮固定螺栓	4	2011-11_
2	GBT6170-M12-A3L	螺母	8	2011-11_
3	FT300.38.152	锁紧垫片	4	2011-11_
4	FT300.38.181	差速器盖	1	2011-11_
4	FT300.38.181	差速器盖	1	2011-11_
5	FT300.38.147	半轴齿轮垫片	2	2011-11_
6	FT300.38.144	右半轴齿轮	1	2011-11_
7	FT300.38.148	行星齿轮垫片	4	2011-11_
8	FT300.38.145	行星齿轮	4	2011-11_
8	FT300.38.145	行星齿轮	4	2011-11_
9	FT300.38.182	长行星齿轮轴	1	2011-11_

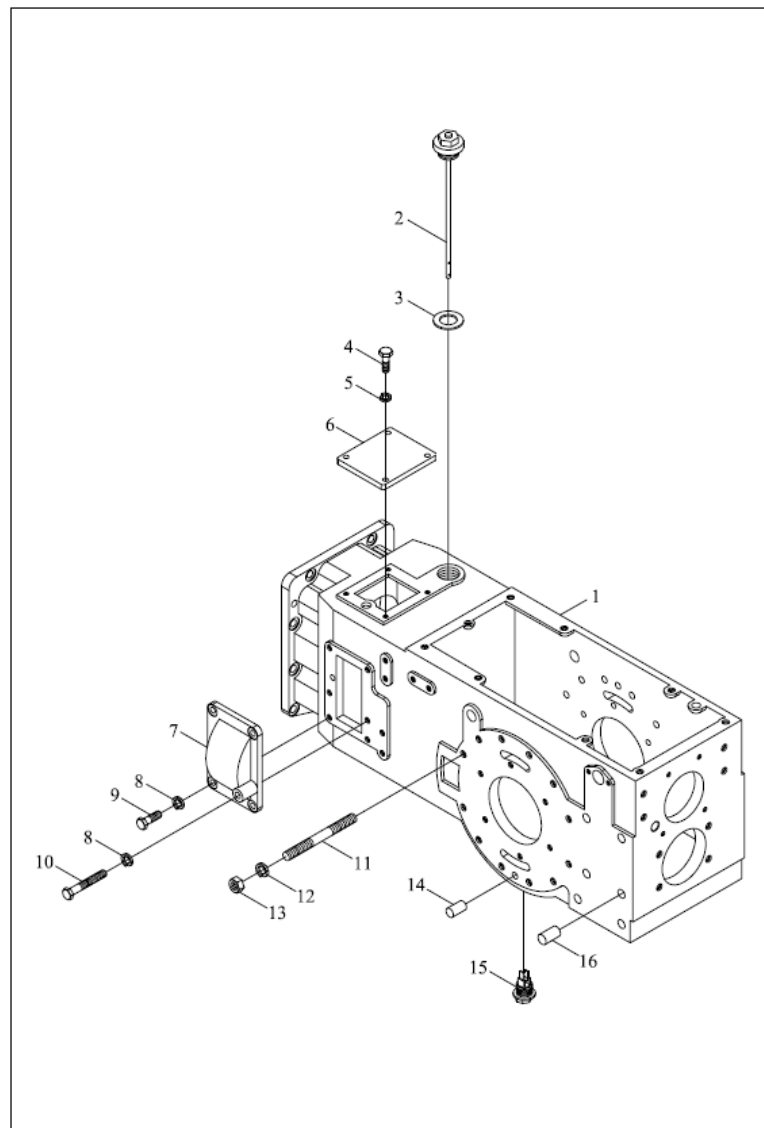
TB554.383C 差速器操纵机构总成



TB554.383C 38.3-差速器操纵机构总成 38.3-DIFFERENTIAL CONTROL MECHANISM ASSEMBLY

标号 No.	代号 Code	名称 Description		数量 Quantity	备注 Remark
1	GBT3452.1-15.0X2.65G	液压气动用O形橡胶密封圈	O-SEAL RING	1	2011-11_
10	GBT879.1-6X35	弹性圆柱销	PIN	1	2011-11_
11	GBT879.2-3.5X35	弹性圆柱销	PIN	1	2011-11_
12	TB554.383C.1	差速锁下踏杆焊合件	DIFFERENTIAL LOCK DOWN PEDAL WELDMENT	1	2011-11_
13	Q72220	碗形塞片	PLUG PIECE	1	2011-11_
14	TB554.383A.4	差速锁上踏杆焊合件	DIFFERENTIAL LOCK PEDAL LEVER WELDMENT	1	2011-11_
15	GBT93-6-A0P	弹簧垫圈	SPRING WASHER	2	2011-11_
16	GBT5783-M6X20-8.8-A2L	六角头螺栓	BOLT	2	2011-11_
17	GBT6170-M8-A2L	螺母	NUT	1	2011-11_
2	FT300.38.158a	差速锁拨叉轴	DIFFERENTIAL LOCK FORK SHAFT	1	2011-11_
3	FT300.38.160	差速锁回位弹簧	DIFFERENTIAL LOCK RETURN SPRING	1	2011-11_
4	FT300.38.159a	差速锁拨叉	DIFFERENTIAL LOCK FORK	1	2011-11_
5	FT300.38.190	差速锁拨块	DIFFERENTIAL LOCK DIAL BLOCK	1	2011-11_
6	GBT879.1-6X40	弹簧圆柱销	SPRING COLUMN PIN	1	2011-11_
7	GBT879.2-3.5X40	弹性圆柱销	PIN	1	2011-11_
8	GBT5781-M8X45-A2L	六角头螺栓	BOLT	1	2011-11_
9	GBT6172.1-M8-04-A2L	六角薄螺母	NUT	1	2011-11_

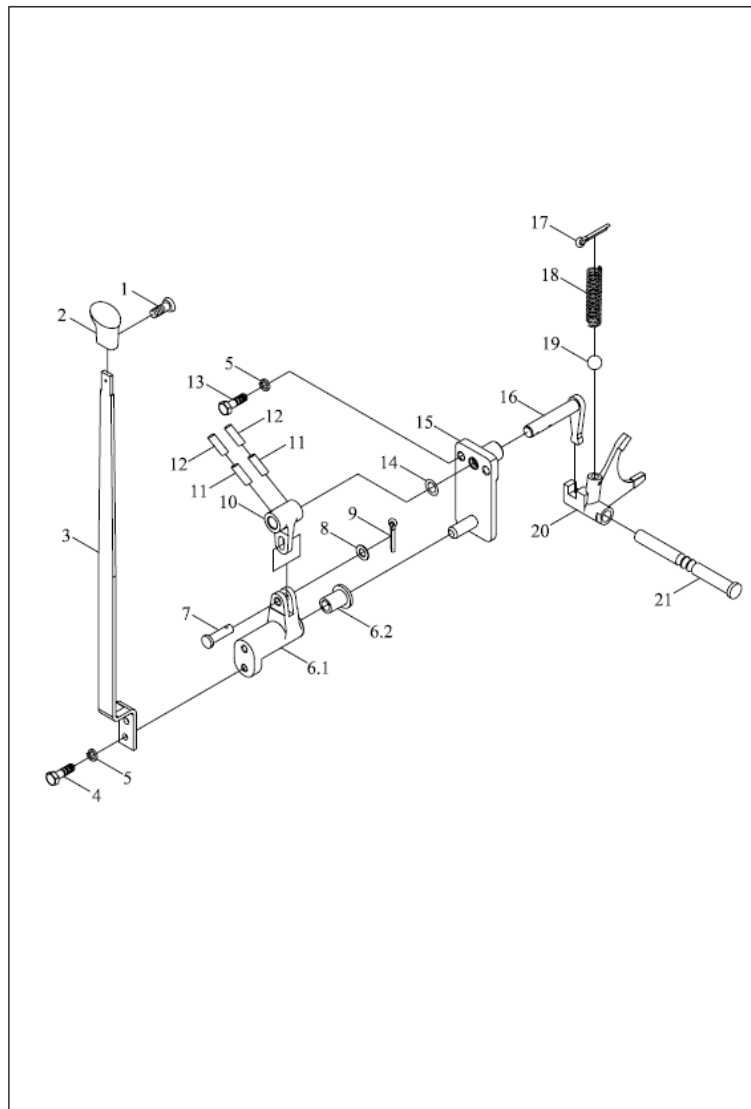
TB554.384 Rear axle housing assembly



TB554.384 38.4-后桥壳体总成 38.4-REAR AXLE HOUSING ASSEMBLY

标号 No.	代号 Code	名称 Description		数量 Quantity	备注 Remark
1	TB554.384-01	后桥壳体	REAR AXLE HOUSING	1	2011-11_
10	GBT5782-M10X60	六角头螺栓	BOLT	1	2004-01_
11	GBT899-AM12-M12X1.25X75-10.9-A2L	双头螺柱	8.8-A3L STUD	24	2011-11_
12	GBT93-12-A0P	弹簧垫圈	SPRING WASHER	24	2011-11_
13	GBT6171-M12X1.25	1型六角螺母	NUT	24	2008-01_
13	GBT6171-M12X1.25	1型六角螺母	NUT	24	2008-01_
14	GBT119.1-12m6X28	圆柱销	PIN	2	2011-11_
15	FT65.38.026	油塞总成	Oil Plug assembly	1	2011-11_
15	FT65.38.026	油塞总成	Oil Plug assembly	1	2011-11_
16	TB554.384-02	销	PIN	4	2011-11_
2	FT300.38.016a	加油通气塞总成	REFUELING AND AIRING PLUG ASSEMBLY	1	2011-11_
3	JBT982-36	组合密封垫圈	COMBINED SEAL GASKET	1	2011-11_
4	GBT5783-M8X20-A2L	螺栓	BOLT	4	2011-11_
5	GBT93-8-A0P	垫圈	WASHER	4	2011-11_
6	FT300.38J.124	上盖	UPPER COVER	1	2011-11_
7	FT300.38J.206	倒档侧盖	REVERSE SIDE COVER	1	2011-11_
8	GBT93-10-A0P	标准型弹簧垫圈	WASHER	6	2011-11_
9	GBT5783-10X25-A3L	六角头螺栓	BOLT	5	2011-11_

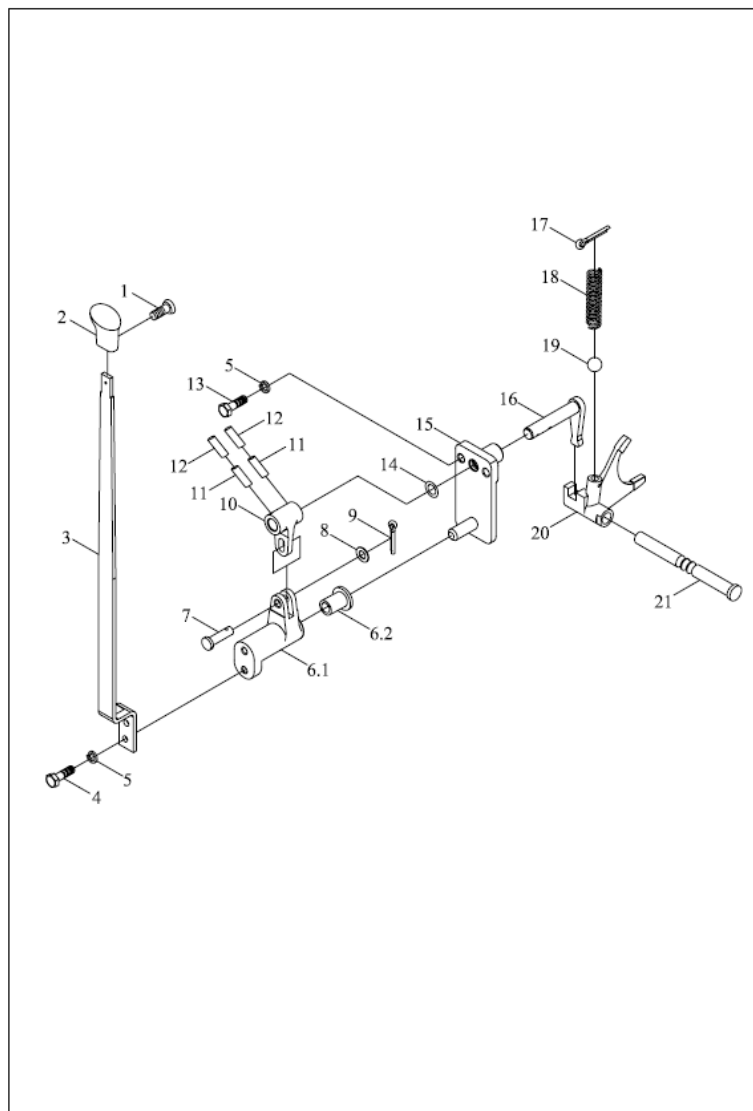
TB504.385 梭式换档机构总成



TB504.385 38.5-梭式换档机构总成 38.5-SHUTTLE SHIFT MECHANISM ASSEMBLY

标号 No.	代号 Code	名称 Description		数量 Quantity	备注 Remark
1	GBT69-M4X8-A2L	开槽半沉头螺钉	SCREW	1	2011-11_
10	TB504.385-01	摇臂	ROCKER	1	2011-11_
11	GBT879.1-3.5X28	弹性圆柱销	PIN	2	2011-11_
12	GBT879.1-6X28	弹性圆柱销	PIN	2	2011-11_
12	GBT879.1-6X28	弹性圆柱销	PIN	2	2011-11_
13	TB400.385-09	螺栓	BOLT	2	2011-11_
14	GBT3452.1-16.0X2.65G	液压气动用O形橡胶密封圈	O-SEAL RING	1	2011-11_
15	TB554.385.3	拨杆轴套焊接	LEVER BUSH WELDMENT	1	2004-01_
15	TB554.385.3a	拨杆轴套焊接	LEVER BUSH WELDMENT	1	2010-01_
16	TB554.385.2	指形拨杆焊接件	FINGER LEVER WELDMENT	1	2011-11_
17	GBT91-4X32-A0P	开口销	PIN	1	2011-11_
18	FT704.42B.163	拨叉轴定位弹簧	FORK SHAFT LOCATING SPRING	1	2011-11_
19	GBT308-9.5-G100-b	钢球	BALL	1	2011-11_
2	TB504.385-03	手柄头	HANDLE HEAD	1	2011-11_
20	FT300.38J.218	倒挡拨叉	REVERSE GEAR FORK	1	2011-11_
21	FT300.38J.203	倒档拨叉轴	REVERSE FORK SHAFT	1	2011-11_
3	TB504.385.3	操纵杆焊接	CONTROL ROD WELDMENT	1	2011-11_
4	GBT5783-M10X25-A3L	螺栓	BOLT	2	2011-11_
5	GBT93-10-A0P	标准型弹簧垫圈	WASHER	4	2011-11_
6	TB504.385.1a	下摇臂合件	LOWER ROCKER UNIT	1	2010-01_
6	TB504.385.1	下摇臂合件	LOWER ROCKER UNIT	1	2004-01_
6.1	TB504.385.1-02	下摇臂	LOWER ROCKER ARM	1	2004-01_
6.1	TB504.385.1-02a	下摇臂	LOWER ROCKER ARM	1	2010-01_
6.2	TB504.385.1-01	衬套	SLEEVE	1	2004-01_
6.2	TB504.385.1-01a	衬套	SLEEVE	1	2010-01_

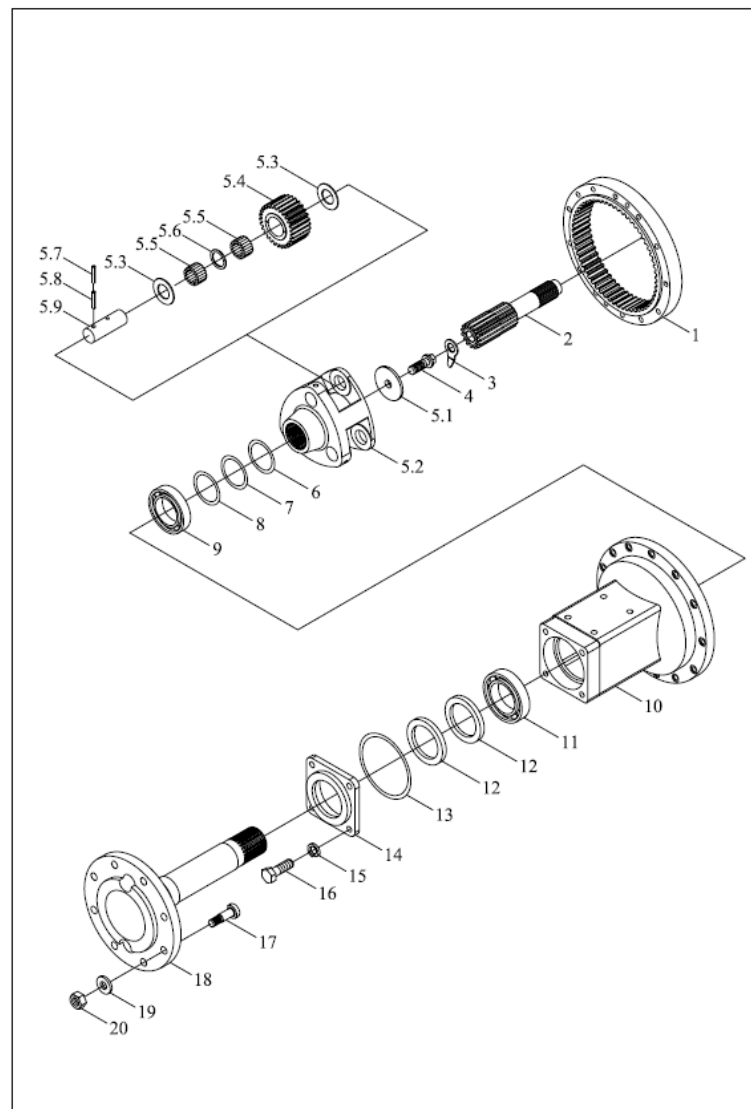
TB504.385 梭式换档机构总成



TB504.385 38.5-梭式换档机构总成(续)

标号 No.	代号 Code	名称 Description		数量 Quantity	备注 Remark
7	GBT882-B10X30-A0P	销轴	PIN	1	2011-11_
8	GBT848-10-A0P	小垫圈	WASHER	1	2011-11_
9	GBT91-3.2X40-A0P	开口销	PIN	1	2011-11_

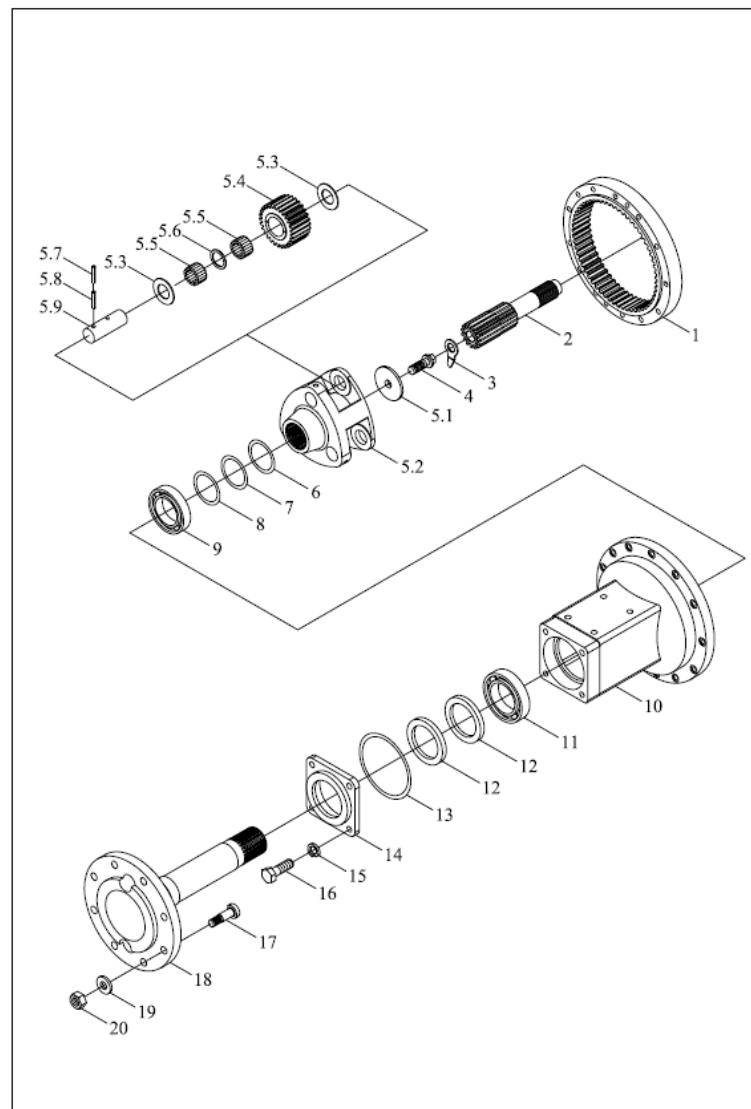
TB550.391A 左最终传动总成



TB550.391A 39.1-左最终传动总成 39.1-LEFT FINAL TRANSMISSION ASSEMBLY

标号 No.	代号 Code	名称 Description		数量 Quantity	备注 Remark
1	TB550.391-04	最终传动齿圈	FINAL TRANSMISSION GEAR RING	1	2011-11_
10	TB550.391A-01	左半轴壳体	LEFT HALF SHAFT HOUSING BODY	1	2011-11_
11	GB/T276-6214	深沟球轴承	BEARING	1	2011-11_
12	GB/T9877.1-FB80X105X10D	内包骨架旋转轴唇形密封	O RING	2	2011-11_
13	GB/T3452.1-132X3.55G	液压气动用O形橡胶密封圈	O-SEAL RING	1	2011-11_
14	TB550.391-05	半轴油封座	HALF SHAFT OIL SEAL SEAT	1	2011-11_
15	GB/T93-12-A0P	弹簧垫圈	SPRING WASHER	4	2011-11_
16	GB/T5783-M12X30-A3L	螺栓	BOLT	4	2011-11_
17	FT65.38.222	后轮毂螺栓(左)	REAR HUB BOLT (LEFT)	8	2011-11_
18	TB550.391A-02	驱动轴	DRIVING SHAFT	1	2011-11_
19	FT804.31B.120	垫圈	WASHER	8	2011-11_
2	TB550.391-03	左最终传动半轴	LEFT FINAL TRANSMISSION HALF SHAFT	1	2011-11_
20	GB/T6176-M18X1.5-LH-10-A3L	2型六角螺母	HEXAGON NUT, TYPE-2	8	2011-11_
3	FT300.39.110	驱动轴锁片	DRIVING SHAFT LOCK PIECE	1	2011-11_
4	FT300.39.112	驱动轴锁紧螺栓	DRIVING SHAFT LOCK BOLT	1	2011-11_
5	TB550.391.1	最终传动行星架总成	FINAL TRANSMISSION PLANET BRACKET	1	2011-11_
5.1	FT300.39.111	挡块	ASSEMBLY	1	2011-11_
5.2	TB550.391.1-01	最终传动行星架	RETAINER BLOCK	1	2011-11_
5.3	TB550.391.1-05	行星轮滚针外隔圈	FINAL TRANSMISSION PLANET BRACKET	6	2011-11_
5.4	TB550.391.1-02	最终传动行星齿轮	PLANET GEAR ROLL NEEDLE OUTER SPACER RING	3	2011-11_
5.5	GB/T309-6X23.8-G2X-3X-5	滚针	FINAL TRANSMISSION PLANET GEAR	132	2011-11_
5.6	TB550.391.1-04	行星轮滚针内隔圈		3	2011-11_
5.7	GB/T879.1-5X32	弹性圆柱销	NEEDLE	3	2011-11_
5.8	GB/T879.1-8X32	弹性圆柱销	PLANET GEAR ROLL NEEDLE INNER SPACER	3	2011-11_
5.9	TB550.391.1-03	最终传动行星齿轮轴	RING	3	2011-11_

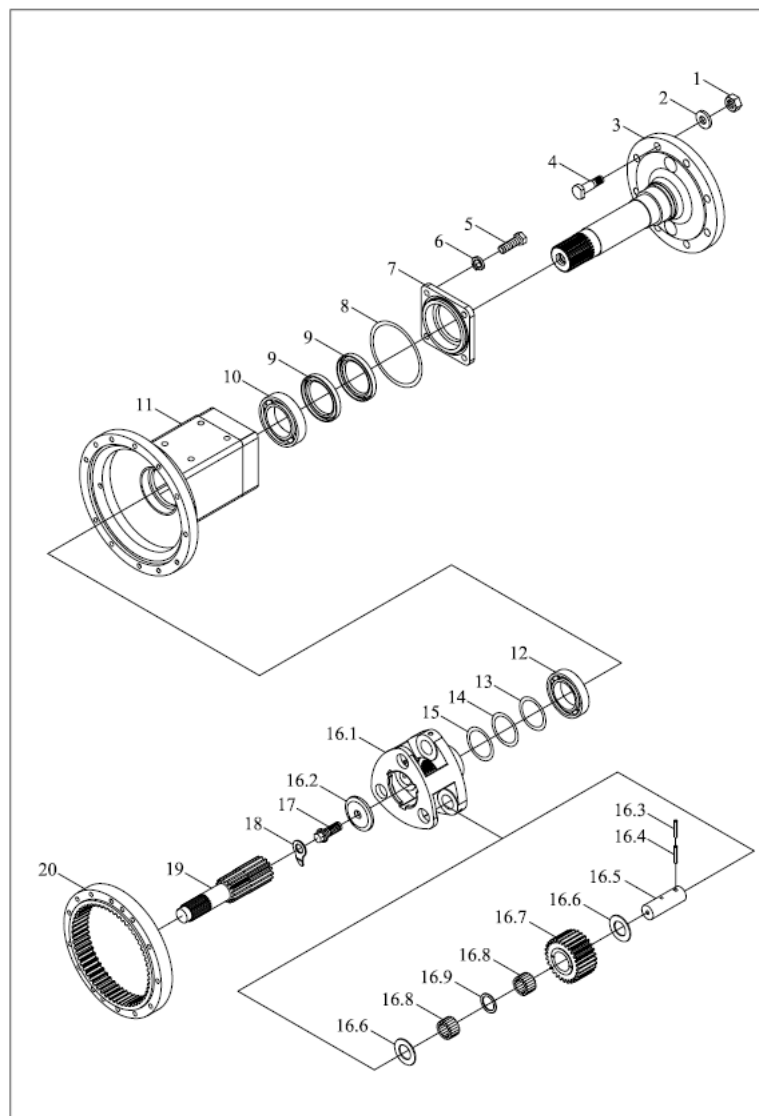
TB550.391A 左最终传动总成



TB550.391A 39.1-左最终传动总成(续)

标号 No.	代号 Code	名称 Description		数量 Quantity	备注 Remark
5.9	TB550.391.1-03	最终传动行星齿轮轴	FINAL TRANSMISSION PLANET GEAR SHAFT	3	2011-11_
6	FT300.39.121	调整垫片	ADJUSTING WASHER	999	2011-11_
6	FT300.39.121	调整垫片	ADJUSTING WASHER	999	2011-11_
7	FT300.39.122	调整垫片	ADJUSTING WASHER	999	2011-11_
8	FT300.39.123	调整垫片	ADJUSTING WASHER	999	2011-11_
9	GBT276-6211	深沟球轴承	BEARING	1	2011-11_

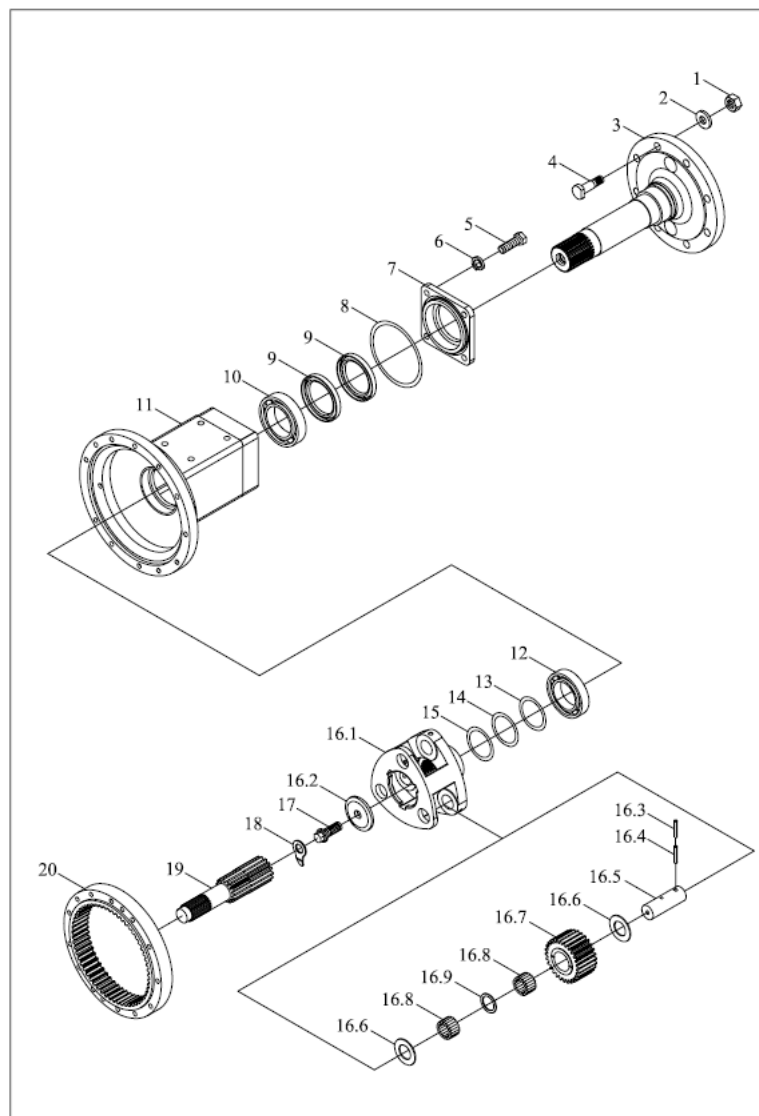
TB550.392A 右最终传动总成



TB550.392A 39.2-右最终传动总成 39.2-RIGHT FINAL TRANSMISSION ASSEMBLY

标号 No.	代号 Code	名称 Description		数量 Quantity	备注 Remark
1	GBT6176-M18X1.5-10-A3L	2型六角螺母	HEXAGON NUT, TYPE-2	8	2004-01_
10	GBT276-6214	深沟球轴承	BEARING	1	2011-11_
11	TB550.392A-01	右半轴壳体	RIGHT HALF SHAFT HOUSING	1	2011-11_
12	GBT276-6211	深沟球轴承	BEARING	1	2011-11_
13	FT300.39.121	调整垫片	ADJUSTING WASHER	999	2011-11_
13	FT300.39.121	调整垫片	ADJUSTING WASHER	999	2011-11_
14	FT300.39.122	调整垫片	ADJUSTING WASHER	999	2011-11_
15	FT300.39.123	调整垫片	ADJUSTING WASHER	999	2011-11_
16	TB550.391.1	最终传动行星架总成	FINAL TRANSMISSION PLANET BRACKET	1	2011-11_
16.1	TB550.391.1-01	最终传动行星架	ASSEMBLY	1	2011-11_
16.2	FT300.39.111	挡块	FINAL TRANSMISSION PLANET BRACKET	1	2011-11_
16.3	GBT879.1-5X32	弹性圆柱销	RETAINER BLOCK	3	2011-11_
16.4	GBT879.1-8X32	弹性圆柱销	PIN	3	2011-11_
16.5	TB550.391.1-03	最终传动行星齿轮轴	PIN	3	2011-11_
16.5	TB550.391.1-03	最终传动行星齿轮轴	FINAL TRANSMISSION PLANET GEAR SHAFT	3	2011-11_
16.6	TB550.391.1-05	行星轮滚针外隔圈	FINAL TRANSMISSION PLANET GEAR SHAFT	6	2011-11_
16.7	TB550.391.1-02	最终传动行星齿轮	PLANET GEAR ROLL NEEDLE OUTER SPACER	3	2011-11_
16.8	GBT309-6X23.8-G2X-3X-5	滚针	RING	132	2011-11_
16.9	TB550.391.1-04	行星轮滚针内隔圈	FINAL TRANSMISSION PLANET GEAR	3	2011-11_
17	FT300.39.112	驱动轴锁紧螺栓	NEEDLE	1	2011-11_
18	FT300.39.110	驱动轴锁片	PLANET GEAR ROLL NEEDLE INNER SPACER	1	2011-11_
19	TB550.392-02	右最终传动半轴	RING	1	2011-11_
2	FT804.31B.120	垫圈	DRIVING SHAFT LOCK BOLT	8	2004-01_
20	TB550.391-04	最终传动齿圈	DRIVING SHAFT LOCK PIECE	1	2011-11_
3	TB550.391A-02	驱动轴	RIGHT FINAL TRANSMISSION HALF SHAFT	1	2011-11_

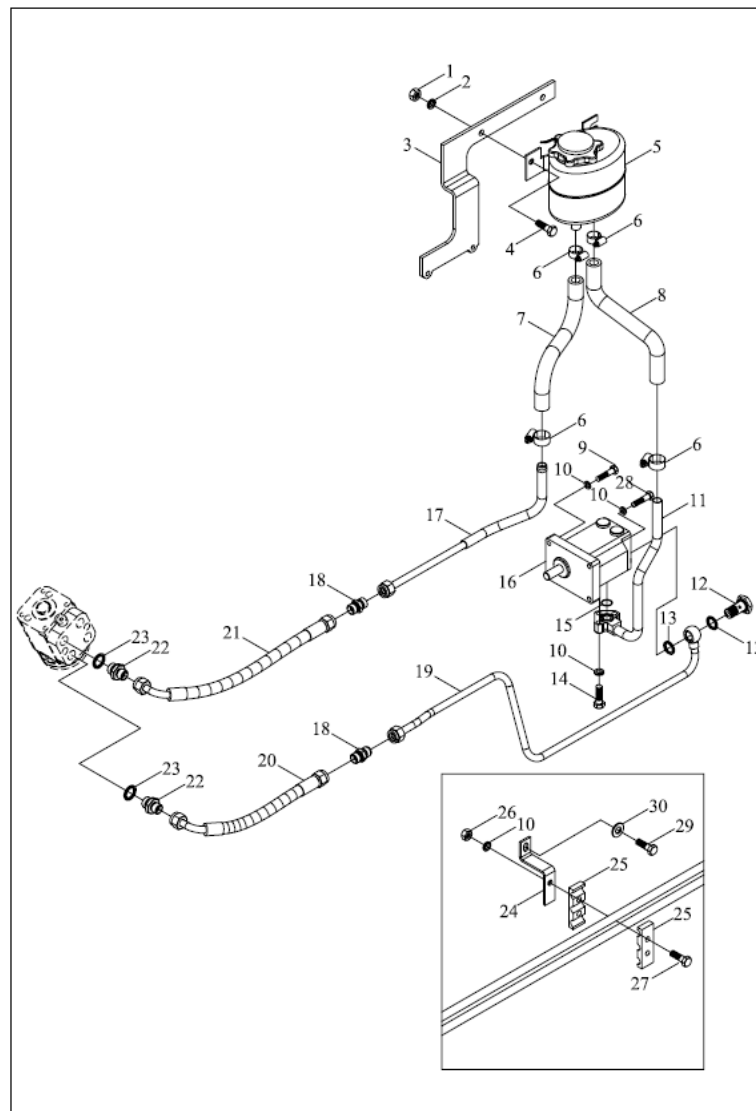
TB550.392A 右最终传动总成



TB550.392A 39.2-右最终传动总成(续)

标号 No.	代号 Code	名称 Description		数量 Quantity	备注 Remark
4	FT65.38.140a	后轮毂螺栓	REAR HUB BOLT	8	2011-11_
5	GBT5783-M12X30-A3L	螺栓	BOLT	4	2011-11_
6	GBT93-12-A0P	弹簧垫圈	SPRING WASHER	4	2011-11_
7	TB550.391-05	半轴油封座	HALF SHAFT OIL SEAL SEAT	1	2011-11_
8	GBT3452.1-132X3.55G	液压气动用O形橡胶密封圈	O-SEAL RING	1	2011-11_
9	GBT9877.1-FB80X105X10D	内包骨架旋转轴唇形密封	O RING	2	2011-11_

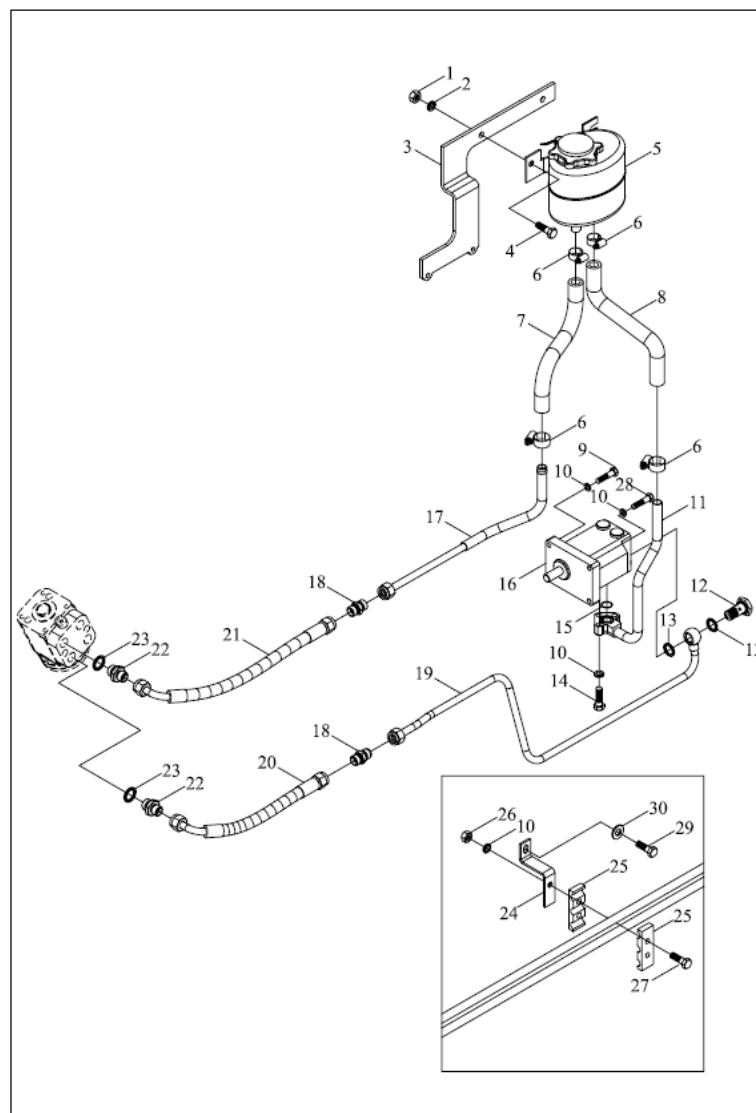
TB504.402C 全液压转向管路总成-1



TB504.402C-1 40.1-全液压转向管路总成-1 FULL HYDRAULIC STEERING PIPE ASSEMBLY-1

标号 No.	代号 Code	名称 Description	数量 Quantity	备注 Remark
1	GBT6170-M10-A3L	螺母	2	2011-11_
10	GBT93-8-A0P	垫圈	8	2011-11_
11	FT450.40Y.011	油泵吸油钢管焊合件	1	2011-11_
13	JBT982-18	组合密封垫圈	2	2011-11_
13	JBT982-18	组合密封垫圈	2	2011-11_
14	GBT5783-M8X30-8.8-A2L	六角头螺栓	3	2011-11_
15	GBT3452.1-16.0X2.65G	液压气动用O形橡胶密封圈	1	2011-11_
16	FT354.40J.011	恒流溢流泵	1	2011-11_
17	TB504.402B.7	输油钢管焊合	1	2011-11_
18	GBT3737.2-G12	直通接头	2	2011-11_
19	TB504.402B.8	输油钢管焊合	1	2011-11_
2	GBT93-10-A0P	标准型弹簧垫圈	4	2011-11_
20	TB504.402B.3	输油胶管总成	1	2011-11_
21	TB504.402B.4	输油胶管总成	1	2011-11_
22	TH354.402-11	管接头	2	2011-11_
23	JBT982-20	组合密封垫圈	2	2011-11_
24	TB504.402B-01	油管支架1	1	2011-11_
25	TG1204.402F-02	3孔管夹	2	2011-11_
26	GBT6170-M8-A2L	螺母	1	2011-11_
27	GBT5783-M8X35-8.8-A2L	六角头螺栓	1	2011-11_
28	GBT5782-M8X45-8.8-A2L	六角头螺栓	2	2011-11_
29	GBT5783-M8X20-8.8-A2L	六角头螺栓	1	2011-11_
3	TB450.40X-01	转向油箱支架	1	2011-11_
30	GBT97.1-8-A0P	平垫圈	1	2011-11_
4	GBT5783-M10X25-8.8-A3L	六角头螺栓	2	2011-11_

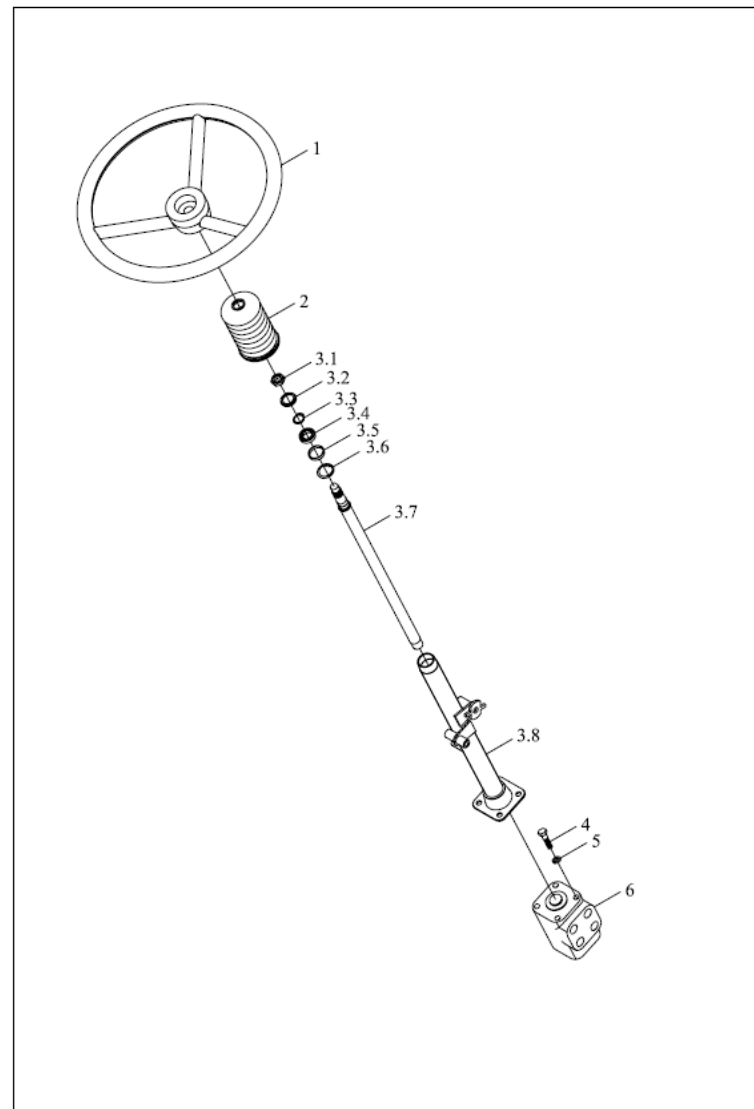
TB504.402C 全液压转向管路总成-1



TB504.402C-1 40.1-全液压转向管路总成-1(续)

标号 No.	代号 Code	名称 Description		数量 Quantity	备注 Remark
5	FT354.40C.011	转向油箱及呼吸器总成	STEERING OIL TANK AND BREATH ASSEMBLY	1	2011-11_
6	Q67627	软管环箍27	HOSE HOOP 27	4	2011-11_
7	TB504.402-04	回油软管	OIL RETURN HOSE	1	2011-11_
8	FT400.40X.104	吸油软管	OIL SUCTION HOSE	1	2011-11_
9	GBT5782-M8X60-8.8-A2L	六角头螺栓	BOLT	4	2011-11_

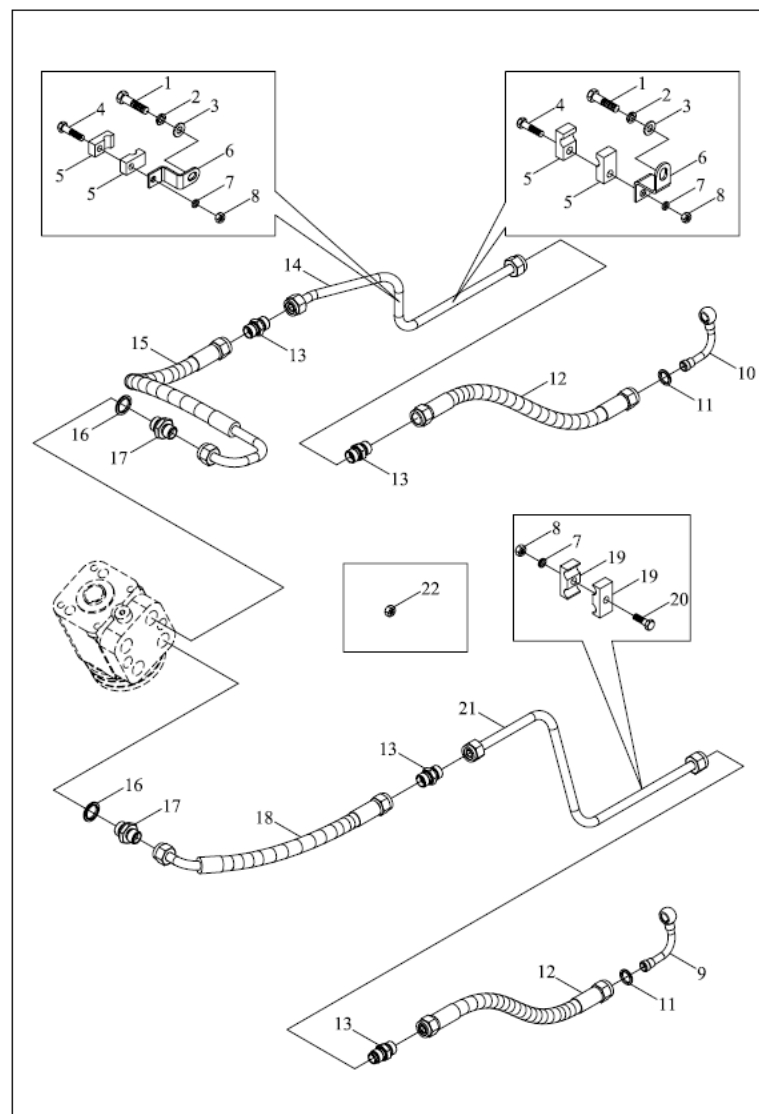
TB604.401D 转向器及转向管柱总成



TB604.401D 40.1-转向器及转向管柱总成 40.1-REDIRECTOR OR STEERING COLUMN ASSEMBLY

标号 No.	代号 Code	名称 Description		数量 Quantity	备注 Remark
1	FT400.40.016	转向盘总成	STEERING WHEEL ASSEMBLY	1	2011-11_
2	TB504.401-01	转向杆防护套	STEERING ROD SHIELD SLEEVE	1	2011-11_
2	TB504.401-01	转向杆防护套	STEERING ROD SHIELD SLEEVE	1	2011-11_
3	TB604.401D.1	转向管柱总成	STEERING PIPE COLUMN ASSEMBLY	1	2011-11_
3.1	GBT6173-M16X1.5-A3L	六角薄螺母	NUT	1	2011-11_
3.2	FT650.40.172	轴承挡圈	BEARING RETAINER RING	1	2011-11_
3.3	GBT894.1-20	挡圈20	BLCKING RING	1	2011-11_
3.4	GBT276-61804-2LS	轴承	BEARING	1	2011-11_
3.5	FT650.40.173	轴承挡圈2	BEARING RETAINER RING 2	1	2011-11_
3.6	GBT893.1-32	挡圈	RETAINER RING	1	2011-11_
3.7	FT354.40C.130A	转向杆	STEERING ROD	1	2011-11_
3.8	TB604.401C.1	转向套管焊合	STEERING SLEEVE WELDMENT	1	2011-11_
4	GBT5783-M10X30-8.8-A3L	六角头螺栓	BOLT	4	2011-11_
5	GBT93-10-A0P	标准型弹簧垫圈	WASHER	4	2011-11_
6	FT354.40C.015	液压转向器总成	HYDRAULIC STEERING MECHANISM ASSEMBLY	1	2011-11_
6	FT354.40C.015	液压转向器总成	HYDRAULIC STEERING MECHANISM ASSEMBLY	1	2011-11_

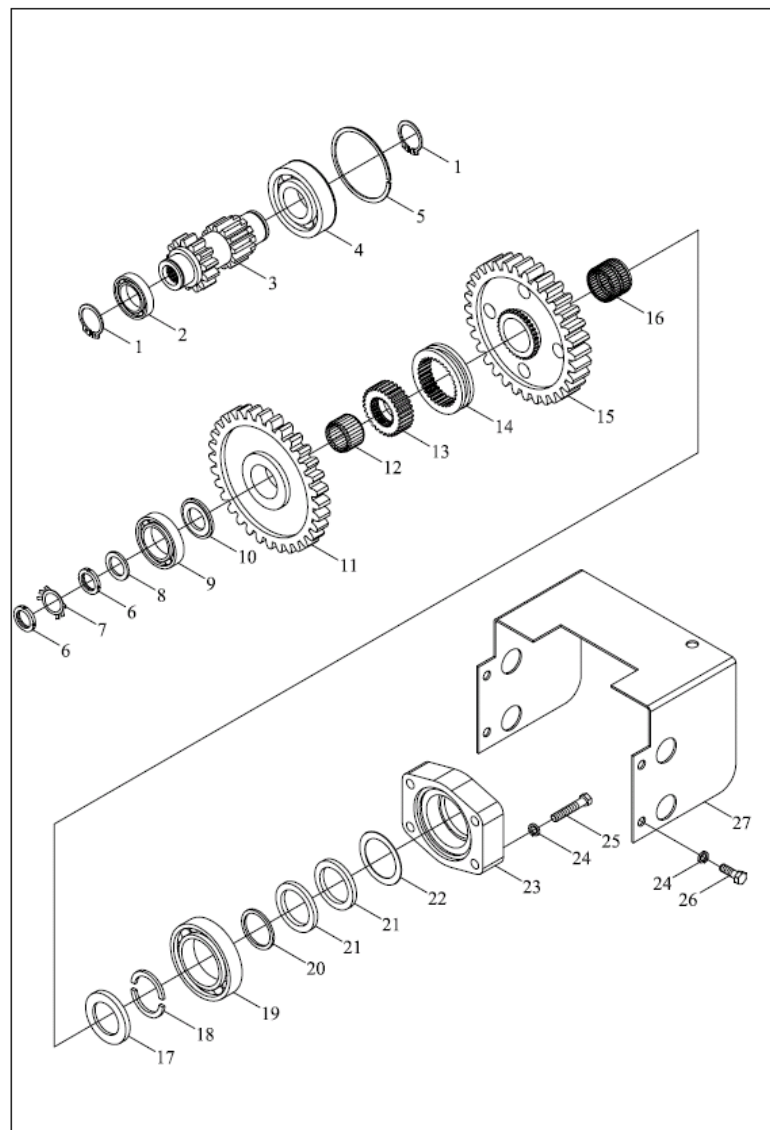
TB504.402C 全液压转向管路总成-2



TB504.402C-2 40.2-全液压转向管路总成-2 FULL HYDRAULIC STEERING PIPE ASSEMBLY-2

标号 No.	代号 Code	名称 Description		数量 Quantity	备注 Remark
1	GBT5783-M10X20-8.8-A3L	六角头螺栓	BOLT	2	2011-11_
1	GBT5783-M10X20-8.8-A3L	六角头螺栓	BOLT	2	2011-11_
10	TB504.402A.8	右油缸油管焊合	RIGHT OIL CYLINDER PIPE WELDMENT	1	2011-11_
11	JBT982-16	组合密封垫圈	COMBINED SEAL GASKET	2	2011-11_
12	TB504.402B.5	输油胶管总成	OIL CONVEYING HOSE ASSEMBLY	2	2011-11_
13	GBT3737.2-G12	直通接头体	STRAIGHT THREAD JOINT	4	2011-11_
14	TB504.402B.2	输油钢管总成	OIL CONVEYING PIPE ASSEMBLY	1	2011-11_
15	TB504.402B.6	输油胶管总成	OIL CONVEYING HOSE ASSEMBLY	1	2011-11_
16	JBT982-20	组合密封垫圈	COMBINED SEAL GASKET	2	2011-11_
17	TH354.402-11	管接头	PIPE JOINT	2	2011-11_
18	TB504.402B.4	输油胶管总成	OIL CONVEYING HOSE ASSEMBLY	1	2011-11_
19	TG1204.402E-03	双孔管夹	DOUBLE-HOLE PIPE CLIP	2	2011-11_
2	GBT93-10-A0P	标准型弹簧垫圈	WASHER	2	2011-11_
20	GBT5783-M8X35-8.8-A2L	六角头螺栓	BOLT	1	2011-11_
21	TB504.402B.1	输油钢管总成	OIL CONVEYING PIPE ASSEMBLY	1	2011-11_
22	GBT6170-M8-8-A2L	I型六角螺母	I-TYPE HEXAGON NUT	1	2011-11_
3	GBT97.1-10-A0P	平垫圈	WASHER	2	2011-11_
4	GBT5782-M8X40-8.8-A2L	六角头螺栓	BOLT	2	2011-11_
5	TG1654.402-07	单孔管夹	SINGLE HOLE PIPE CLAMP	4	2011-11_
6	TB504.402-10	油管支架Ⅲ	OIL PIPE BRACKET 3	2	2011-11_
7	GBT93-8-A0P	垫圈	WASHER	3	2011-11_
8	GBT6170-M8-A2L	螺母	NUT	3	2011-11_
9	TB504.402A.7	左油缸油管焊合	LEFT CYLINDER OIL PIPE WELDMENT	1	2011-11_

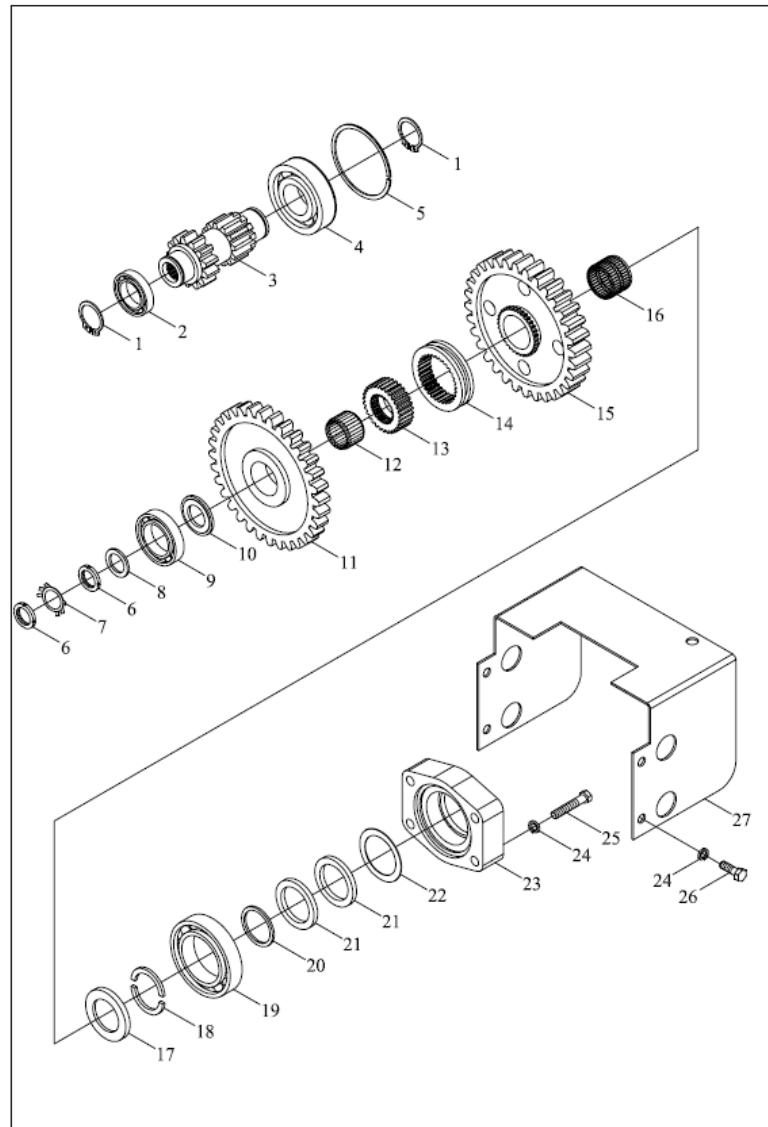
TB550.411APTO assembly



TB550.411A 41.1-动力输出总成 41.1-PTO ASSEMBLY

标号 No.	代号 Code	名称 Description	数量 Quantity	备注 Remark
1	GBT894.1-40	挡圈40	2	2011-11_
10	FT300.41C.118	输出轴前挡环	1	2011-11_
11	TB550.411A-02	动力输出高档被动齿轮	1	2011-11_
12	JBT7918-K35X40X27	向心滚针和保持架组件	1	2011-11_
13	FT300.41C.117	动力输出啮合座	1	2011-11_
13	FT300.41C.117	动力输出啮合座	1	2011-11_
14	FT300.41C.116	动力输出啮合套	1	2011-11_
15	TB550.411-03	动力输出低档被动齿轮	1	2011-11_
16	TB550.411-04	轴承	1	2011-11_
17	FT300.41E.114	后挡环	1	2011-11_
18	FT300.41E.119	输出轴半挡环	2	2011-11_
19	GBT276-6309	深沟球轴承	1	2011-11_
2	GBT276-6208	深沟球轴承	1	2011-11_
20	FT300.41E.113	输出轴轴承垫圈	1	2011-11_
21	GBT9877.1-FB50X72X8D	内包骨架旋转轴唇形密封	2	2011-11_
22	FT300.41E.115	油封挡圈	1	2011-11_
23	FT300.41E.101	后端盖 I	1	2011-11_
24	GBT93-12	垫圈	8	2011-11_
25	GBT5782-M12X55-8.8-A3L	六角头螺栓	4	
26	GBT5781-M12X25-A3L	六角头螺栓	4	2011-11_
27	FT300.41.131a	安全防护罩	1	2011-11_
3	TB550.411A-01	动力输出高低档主动双联齿轮	1	2011-11_
4	GBT276-6308N	深沟球轴承	1	2011-11_
5	GBT305-90-96.5	止动环	1	2011-11_
6	GBT812-M25X1.5	圆螺母	2	2011-11_

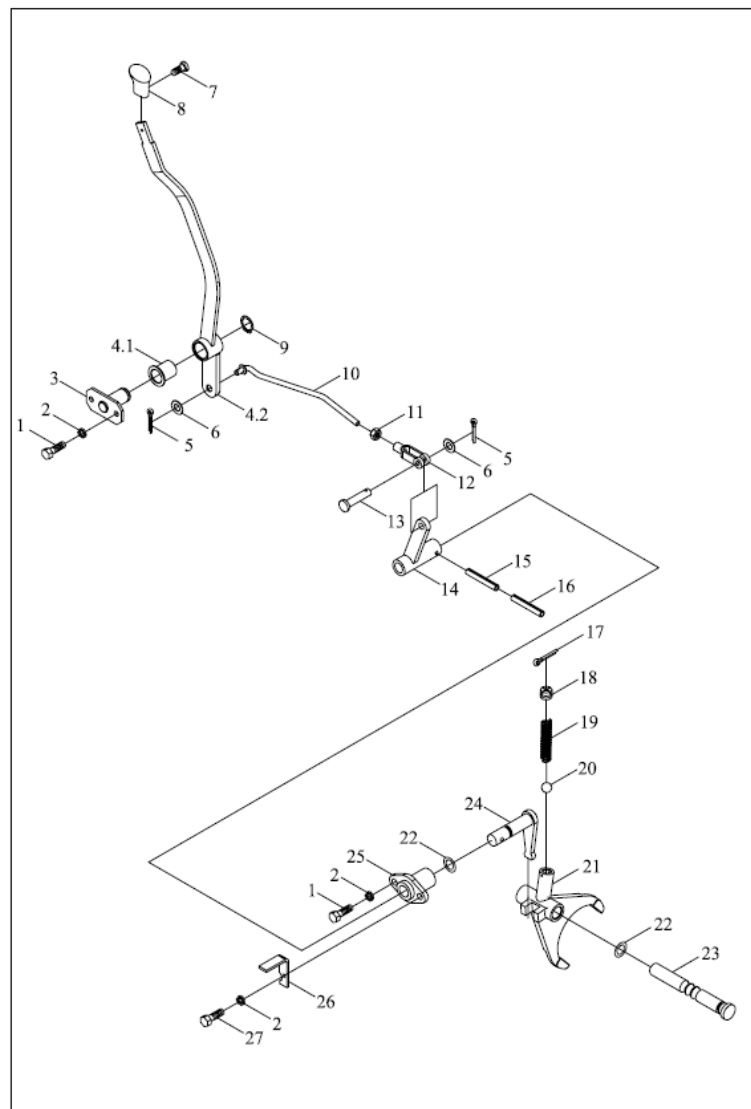
TB550.411APTO assembly



TB550.411A 41.1-动力输出总成(续)

标号 No.	代号 Code	名称 Description		数量 Quantity	备注 Remark
7	GBT858-25	止退垫圈	WASHER LOCK	1	2011-11_
8	FT300.41.122	垫圈	WASHER	1	2011-11_
9	GBT276-6306	深沟球轴承	BEARING	1	2011-11_

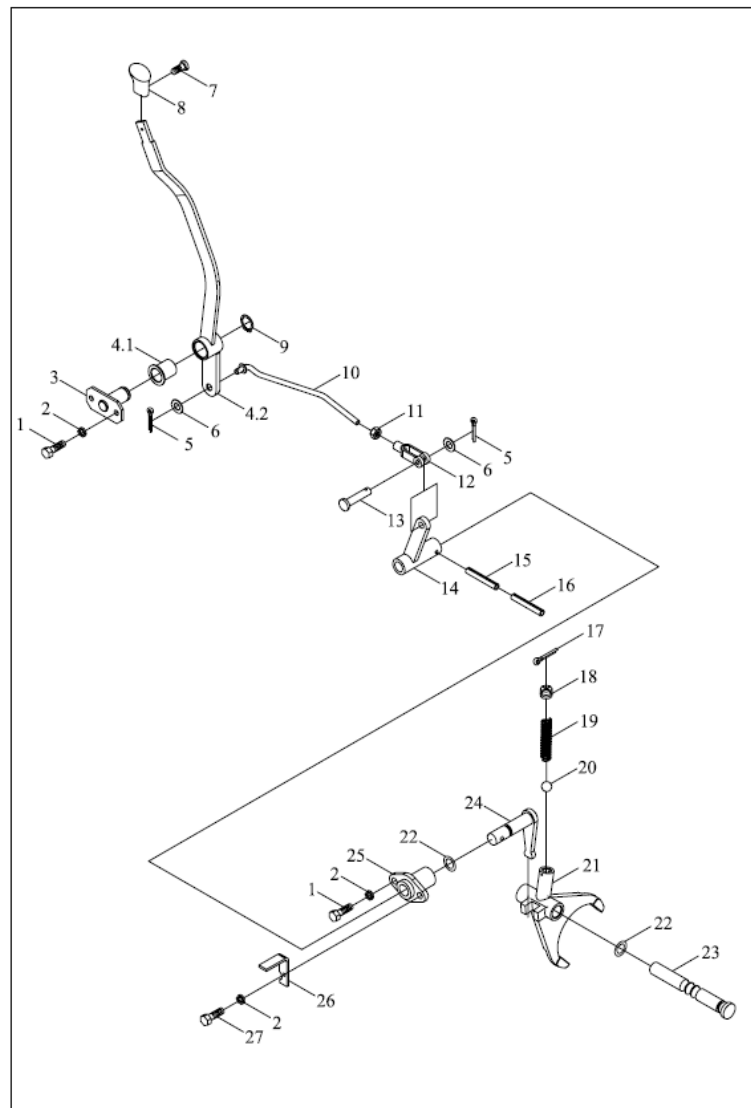
TB480.413A 动力输出操纵总成



TB480.413A 41.3-动力输出操纵总成 41.3-PTO CONTROL ASSEMBLY

标号 No.	代号 Code	名称 Description		数量 Quantity	备注 Remark
1	GBT5783-M8X20-A2L	螺栓	BOLT	3	2011-11_
10	TB480.413A.2	中间拉杆焊合	MIDDLE PULL ROD WELDMENT	1	2011-11_
11	GBT6170-M10-A3L	螺母	NUT	1	2011-11_
12	FT300.43.108	拉杆前叉	PULL ROD FRONT FORK	1	2011-11_
13	GBT882-B10X30	销轴	PIN	1	2011-11_
14	TB480.413.2	摇臂焊合	ROCKER WELDMENT	1	2011-11_
15	GBT879.1-6X26	弹性圆柱销	PIN	1	2011-11_
16	GBT879.1-3.5X26	弹性圆柱销	PIN	1	2011-11_
17	GBT91-2.5X32-A0P	开口销	PIN	1	2011-11_
18	TB550.413-03	螺钉	SCREW	1	2011-11_
19	FT704.42B.163	拨叉轴定位弹簧	FORK SHAFT LOCATING SPRING	1	2011-11_
2	GBT93-8-A0P	垫圈	WASHER	4	2011-11_
20	GBT308-9.5-G100-b	钢球	BALL	1	2011-11_
21	TB550.413-01a	动力输出变速拨叉	PTO GEARSHIFT FORK	1	2011-11_
22	GBT3452.1-11.2X2.65G	液压气动用O形橡胶密封圈	O-SEAL RING	1	
22	GBT3452.1-16.0X2.65G	液压气动用O形橡胶密封圈	O-SEAL RING	1	
23	FT300.41C.107a	动力输出拨叉轴	PTO FORK SHAFT	1	2011-11_
24	FT300.41E.011	指形拨杆焊合件	FINGER LEVER WELDMENT	1	2011-11_
25	FT300.41E.109	拨杆轴套	LEVER SHAFT SLEEVE	1	2011-11_
26	TB480.413-06	高档限位板	HIGH GEAR LIMITING BOARD	1	2011-11_
27	GBT5783-M8X25-A2L	螺栓	BOLT	1	2011-11_
3	TB480.413A.3	支承座焊合	SUPPORT SEAT WELDMENT	1	2011-11_
4	TB480.413A.1	操纵杆压合	CONTROL ROD PRESSURE UNIT	1	2011-11_
4.1	TB480.413A.1-01	尼龙衬套	NYLON BUSH	1	2011-11_
4.2	TB480.413A.1.1	操纵杆焊合	CONTROL ROD WELDMENT	1	2011-11_

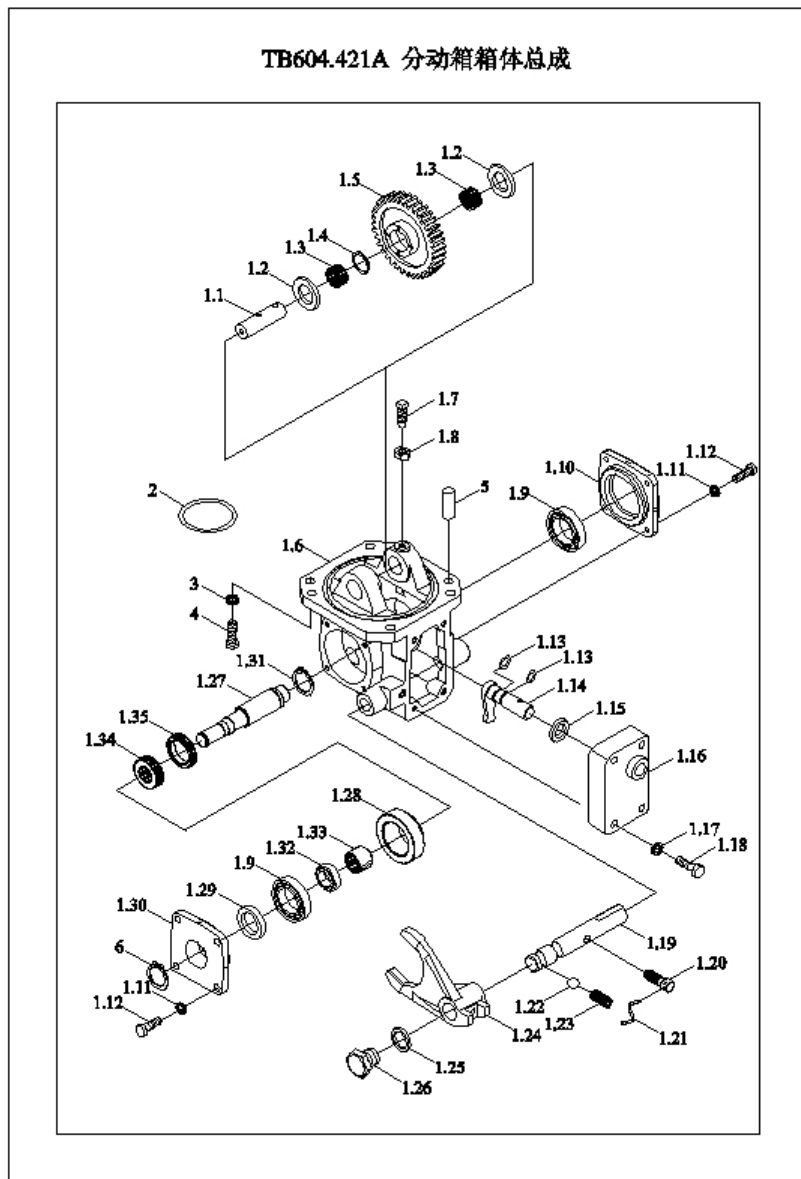
TB480.413A 动力输出操纵总成



TB480.413A 41.3-动力输出操纵总成(续)

标号 No.	代号 Code	名称 Description		数量 Quantity	备注 Remark
5	GBT91-3.2X16-A0P	开口销	PIN	2	2011-11_
6	GBT97.1-10-A0P	平垫圈	WASHER	2	2011-11_
7	GBT69-M4X8-A2L	开槽半沉头螺钉	SCREW	1	2011-11_
8	TB504.385-03	手柄头	HANDLE HEAD	1	2011-11_
9	GBT894.1-22	轴用弹性挡圈	SNAP RING	1	2011-11_

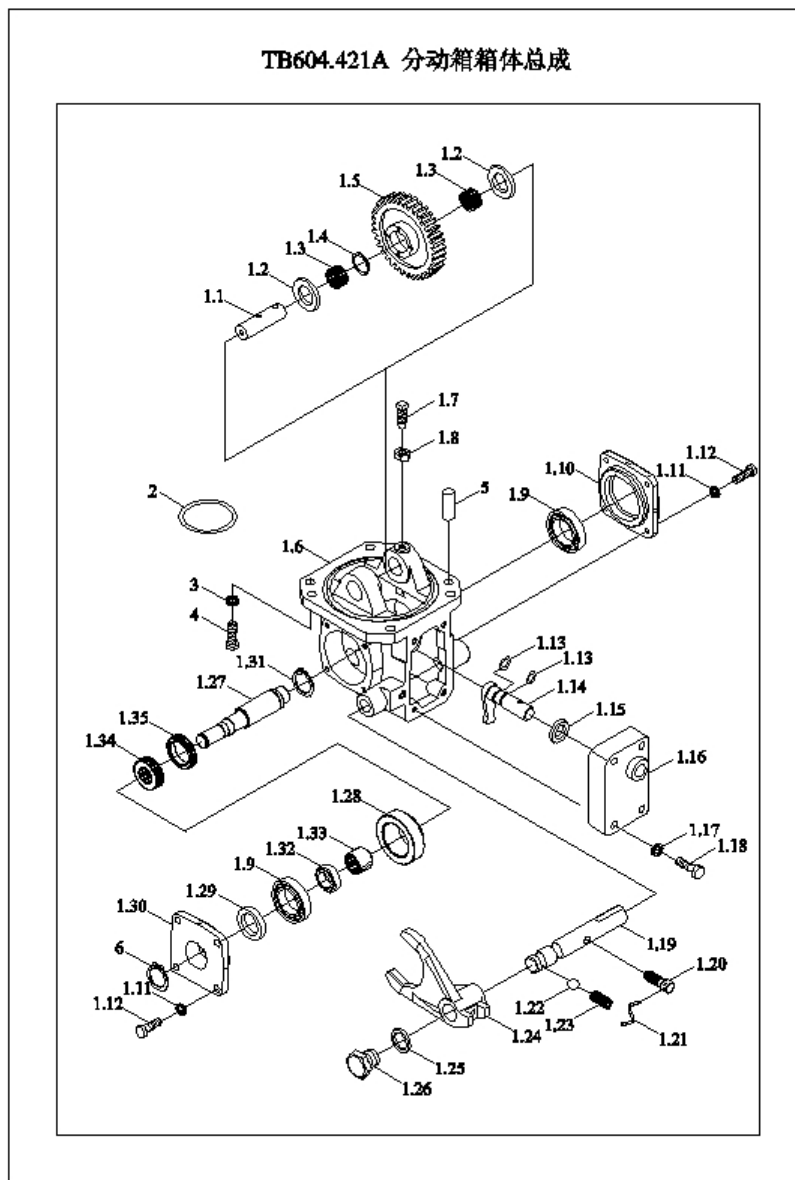
TB604.421A 分动箱箱体总成



TB604.421A 42.1-分动箱箱体总成 42.1-TRANSFER CASE HOUSING ASSEMBLY

标号 No.	代号 Code	名称 Description		数量 Quantity	备注 Remark
1	TB604.421.1	分动箱装配	FENDONGXIANG ASSEMBLY	1	2012-05_
1.1	FT304.42.117	轴承盖	BEARING COVER	1	2012-05_
1.1	FT304.42.117	轴承盖	BEARING COVER	1	2012-05_
1.1	TB504.421B.1-05	惰轮轴	IDLER SHAFT	1	2012-05_
1.11	GBT93-8-A0P	垫圈	WASHER	8	2012-05_
1.12	GBT5783-M8X20-A2L	螺栓	BOLT	8	2012-05_
1.13	GBT3452.1-17.0X1.80G	液压气动用O形橡胶密封圈	O-SEAL RING	2	2012-05_
1.14	TB554.423B.1	转轴焊合	ROTARY SHAFT WELDMENT	1	2012-05_
1.15	TB554.423B-02	转轴隔套	ROTARY SHAFT SPACER BUSH	1	2012-05_
1.16	TB554.423B-01	侧盖	SIDE COVER	1	2012-05_
1.17	GBT93-10-A0P	标准型弹簧垫圈	WASHER	4	2012-05_
1.18	GBT5782-M10X45-A3L	六角头螺栓	BOLT	4	2012-05_
1.19	TB554.421B.1-08	拨叉轴	FORK SHAFT	1	2012-05_
1.2	FT304.42F.103	止推环	PLATE;THRUST	2	2012-05_
1.2	FT800.37.194	紧定螺钉	LOCKING SCREW	1	2012-05_
1.21	TA800.212B-02	低碳钢丝	LOW CARBON STEEL WIRE	1	2012-05_
1.22	GBT308-10-G100-b	钢球	BALL	1	2012-05_
1.23	FT800.37.139	弹簧	SPRING	1	2012-05_
1.24	TB554.421B.1-07	分离拨叉	RELEASE SHIFT FORK	1	2012-05_
1.25	JBT982-18	组合密封垫圈	COMBINED SEAL GASKET	2	2012-05_
1.25	JBT982-18	组合密封垫圈	COMBINED SEAL GASKET	2	2012-05_
1.26	FT804.42.110	螺堵	SCREW PLUG	2	2012-05_
1.27	TB604.421.1-02	分动箱齿轮轴	TRANSFER CASE GEAR SHAFT	1	2012-05_
1.28	TB504.421.1-03	分动箱被动齿轮	TRANSFER CASE DRIVEN GEAR	1	2012-05_
1.29	GBT9877.1-FB30X52X7D	内包骨架旋转轴唇形密封	O RING	1	2012-05_

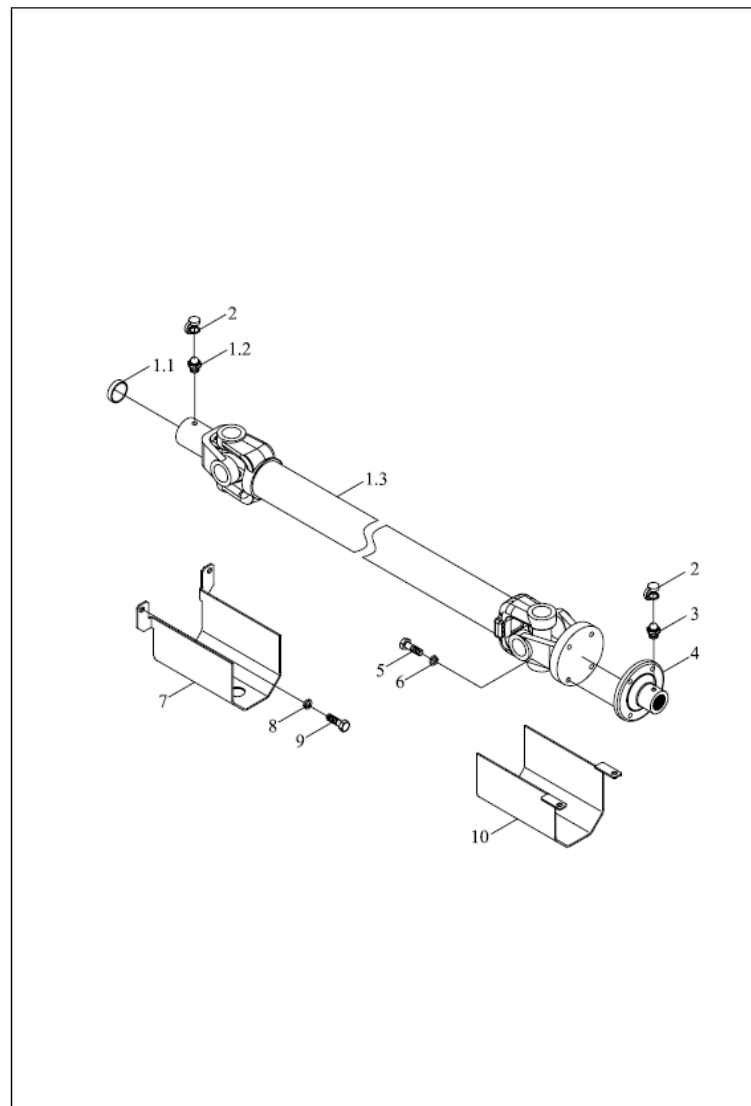
TB604.421A 分动箱箱体总成



TB604.421A 42.1-分动箱箱体总成(续)

标号 No.	代号 Code	名称 Description		数量 Quantity	备注 Remark
1.3	TB604.421.1-01	轴承座	BEARING SEAT	1	2012-05_
1.3	JBT7918-K25X31X20	向心滚针和保持架组件	NEEDLE AND CARRIER UNIT	2	2012-05_
1.31	GBT894.1-38	轴用弹性挡圈	SNAP RING	1	2012-05_
1.32	FT804.42.119a	隔套	SPACER BUSH	1	2012-05_
1.33	TB554.421B.1-06	齿轮衬套	GEAR BUSH	1	2012-05_
1.34	FT804.42.115	啮合齿座	MESH GEAR SEAT	1	2012-05_
1.35	TB504.421.1-04	啮合套	SHIFT COLLAR	1	2012-05_
1.4	FT304.42.126	滚针内隔套	NEEDLE INNER SPACER SLEEVE	1	2012-05_
1.5	TB504.421.1-02	分动箱惰轮	TRANSFER CASE IDLER	1	2012-05_
1.6	TB504.421.1-01	分动箱壳体	TRANSFER CASE HOUSING	1	2012-05_
1.7	FT304.42.112	止动螺钉	THRUST SCREW	1	2012-05_
1.8	GBT6173-M10X1-A2L	六角薄螺母	NUT	1	2012-05_
1.9	GBT276-6306	深沟球轴承	BEARING	2	2012-05_
2	GBT3452.1-132X3.55G	液压气动用O形橡胶密封圈	O-SEAL RING	1	2012-05_
4	GBT5783-M10X30-8.8-A3L	六角头螺栓	BOLT	4	2012-05_
5	GBT119.1-10M6X20-A0P	圆柱销	PIN	2	2012-05_
6	GBT894.1-26	轴用弹性挡圈	SNAP RING	1	2012-05_

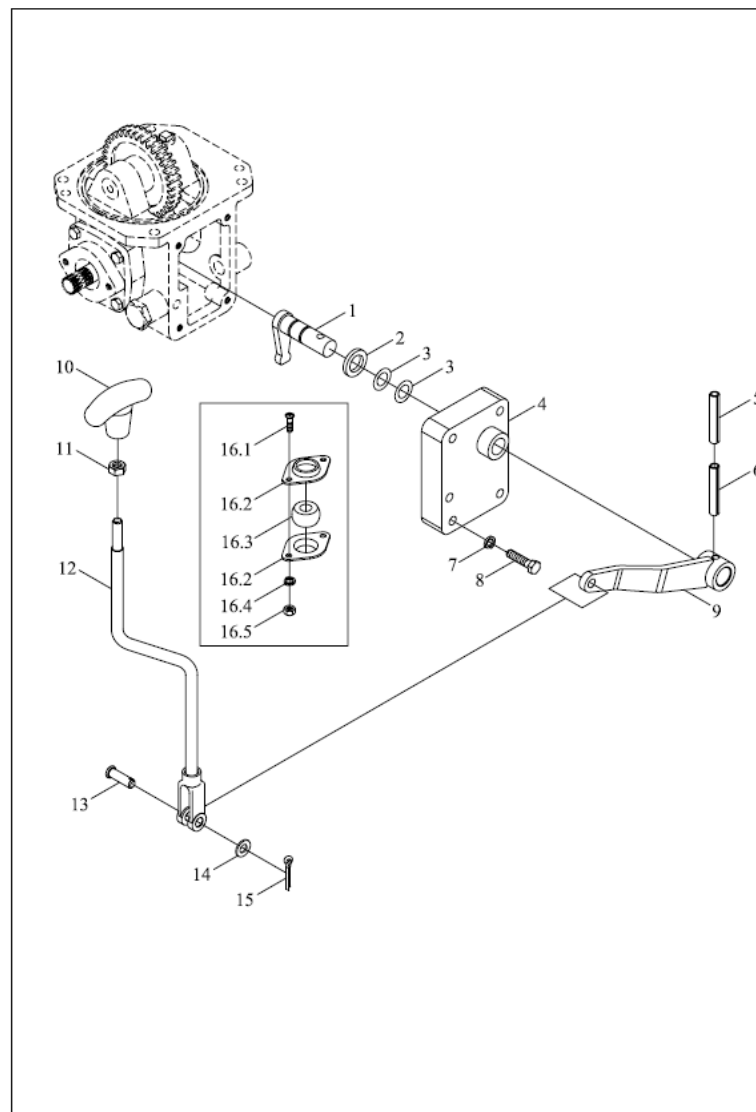
TB554.422B 分动箱传动总成



TB554.422B 42.2-分动箱传动总成 42.2-TRANSFER CASE TRANSMISSION ASSEMBLY

标号 No.	代号 Code	名称 Description		数量 Quantity	备注 Remark
1	TB554.422B.1	传动轴总成	TRANSMISSION SHAFT ASSEMBLY	1	2011-11_
1.1	Q72228	碗形塞片	PLUG PIECE	1	2011-11_
1.2	JBT7940.1-M10X1	直通式压注油杯	STRAIGHT PRESSURE FILLING OIL CUP	1	2011-11_
1.3	TB554.422B.1.1	传动轴合件	TRANSMISSION SHAFT UNIT	1	2011-11_
10	TB554.422B.2	后防护罩焊接	REAR SHIELD WELDMENT	1	2011-11_
2	FT250.31.166	油杯防尘帽	DUSTPROOF CAP OF OIL CUP	2	2011-11_
3	JBT7940.1-M10X1	直通式压注油杯	STRAIGHT PRESSURE FILLING OIL CUP	1	2011-11_
4	TB554.422B-01	法兰花键套	FLANGE SPLINE BUSH	1	2011-11_
5	GBT5783-M10X30-A3L	螺栓	BOLT	4	2011-11_
6	GBT93-10-A0P	标准型弹簧垫圈	WASHER	4	2011-11_
7	TB554.422B-02	前防护罩	FRONT SHIELD	1	2011-11_
8	GBT93-8-A0P	垫圈	WASHER	2	2011-11_
9	GBT5783-M8X16-A2L	螺栓	BOLT	2	2011-11_

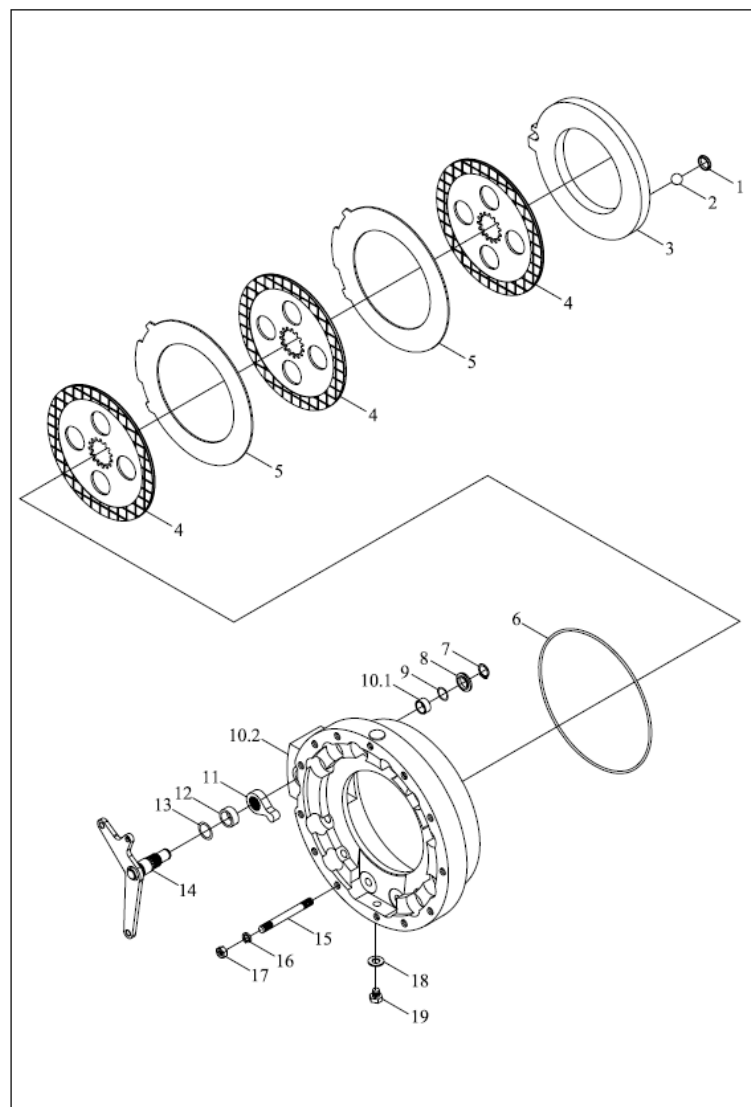
TB604.423 分动箱操纵机构总成



TB604.423 42.3-分动箱操纵机构总成 42.3-TRANSFER CASE CONTROL MECHANISM ASSEMBLY

标号 No.	代号 Code	名称 Description		数量 Quantity	备注 Remark
1	TB554.423B.1	转轴焊合	ROTARY SHAFT WELDMENT	1	2011-11_
10	FT65.38.051	拉压手柄	PULL/PRESS HANDLE	1	2011-11_
11	GBT6170-M10-A3L	螺母	NUT	1	2011-11_
12	TB604.423.1	操纵杆合件	CONTROL ROD UNIT	1	2011-11_
13	GBT882-B10X30-A0P	销轴	PIN	1	2011-11_
14	GBT97.1-10-A0P	平垫圈	WASHER	1	2011-11_
15	GBT91-3.2X16-A0P	开口销	PIN	1	2011-11_
16	TG1204.435.2	密封胶圈	SEAL RUBBER RING	1	2011-11_
16.1	GBT818-M6X14-A2L	十字槽盘头螺钉	SCREW	2	2011-11_
16.2	TG1204.435.2-01	球面轴衬座	SPHERICAL SHAFT LINING SEAT	2	2011-11_
16.2	TG1204.435.2-01	球面轴衬座	SPHERICAL SHAFT LINING SEAT	2	2011-11_
16.3	TG1204.435.2-02	球面轴衬	SPHERICAL SHAFT LINING	1	2011-11_
16.4	GBT93-6-A0P	弹簧垫圈	SPRING WASHER	2	2011-11_
16.5	GBT6170-M6-A2L	螺母	NUT	2	2011-11_
2	TB554.423B-02	转轴隔套	ROTARY SHAFT SPACER BUSH	1	2011-11_
3	GBT3452.1-17.0X1.80G	液压气动用O形橡胶密封圈	O-SEAL RING	2	2011-11_
4	TB554.423B-01	侧盖	SIDE COVER	1	2011-11_
5	GBT879.1-5X30	弹性圆柱销	PIN	1	2011-11_
6	GBT879.1-8X30	弹性圆柱销	PIN	1	2011-11_
7	GBT93-10-A0P	标准型弹簧垫圈	WASHER	4	2011-11_
8	GBT5781-M10X45-4.8-A3L	六角头螺栓	BOLT	4	2011-11_
8	GBT5781-M10X45-4.8-A3L	六角头螺栓	BOLT	4	2011-11_
9	TB604.423.2	摇臂焊合	ROCKER WELDMENT	1	2011-11_

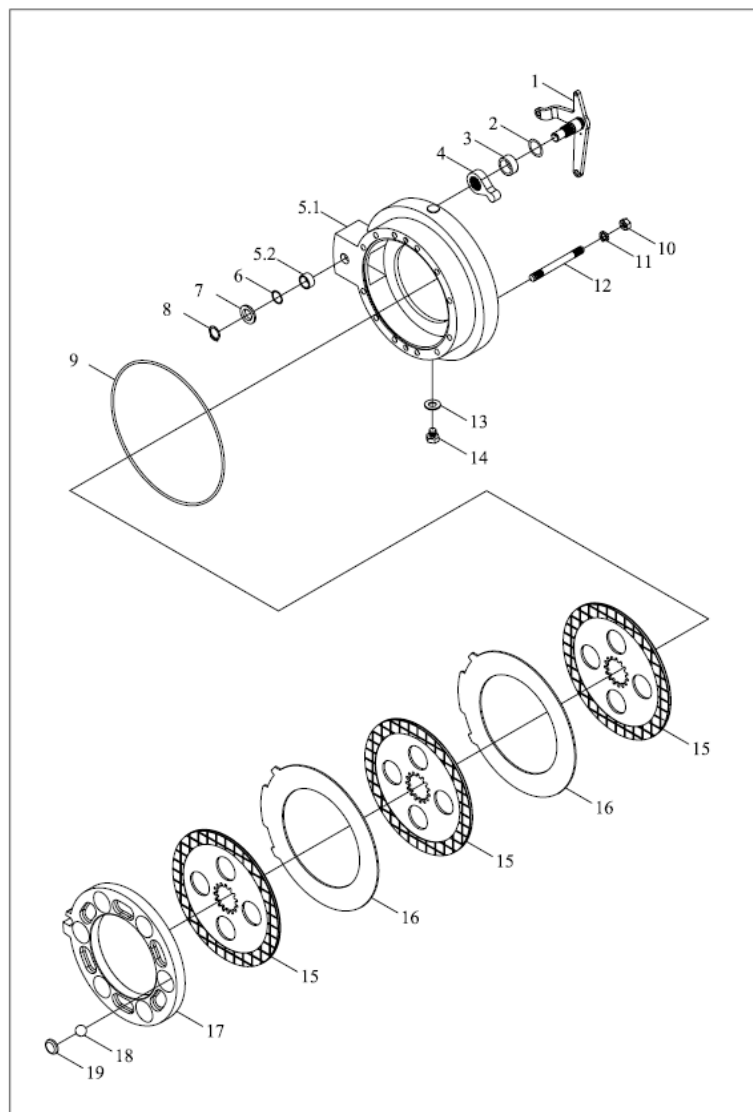
TB604.431D 左制动器总成



TB604.431D 43.1-左制动器总成 43.1-LEFT BRAKE ASSEMBLY

标号 No.	代号 Code	名称 Description		数量 Quantity	备注 Remark
1	FT300.43.102	碗形塞	BOWL PLUG	6	2011-11_
10	TB550.431.1	左制动器壳总成	LEFT BRAKE HOUSING ASSEMBLY	1	2011-11_
10.1	TB550.431.1-02	曲柄轴衬套	CRANK SHAFT BUSH	1	2011-11_
10.2	TB550.431.1-01	左制动器壳体	LEFT BRAKE HOUSING	1	2011-11_
11	TB550.431-02	拨块	SHIFTING BLOCK	1	2011-11_
12	FT300.43.107	隔套	SPACER BUSH	1	2011-11_
13	GBT3452.1-20.0X2.65G	液压气动用O形橡胶密封圈	O-SEAL RING	1	
14	TB604.431D.1	左曲柄合件	LEFT CRANK UNIT	1	2011-11_
15	GBT899-AM12-M12X1.25X80-10.9-A2L	双头螺栓	8.8-A3L STUD	13	2011-11_
16	GBT93-12-AOP	垫圈	WASHER	13	2011-11_
17	GBT6171-M12X1.25-10-A3L	1型六角螺母	NUT	13	2011-11_
18	FT300.43.153	最终传动放油口垫圈	FINAL TRANSMISSION OIL DRAINING PORT	1	2011-11_
18	JBT982-12	组合密封垫圈	WASHER	1	2013-04_
19	FT300.43.154	螺塞	COMBINED SEAL GASKET	1	2011-11_
2	GBT308-18.000-G100-b	钢球	SCREW PLUG BALL	6	2011-11_
3	TB550.431-01	左制动器压盘		1	2011-11_
4	TB550.431.3	制动器摩擦盘总成	LEFT BRAKE PRESSURE PLATE	3	2011-11_
5	FT300.43.105	隔板	BRAKE FRICTION PLATE ASSEMBLY	2	2011-11_
6	FT300.43.101	O形圈	SPACER PLATE	1	2011-11_
7	GBT894.1-18	挡圈	O-RING RETAINER RING	1	2011-11_
8	FT300.43.109a	垫圈		1	2011-11_
9	GBT3452.1-18.0X2.65G	液压气动用O形橡胶密封圈	WASHER O-SEAL RING	1	2011-11_

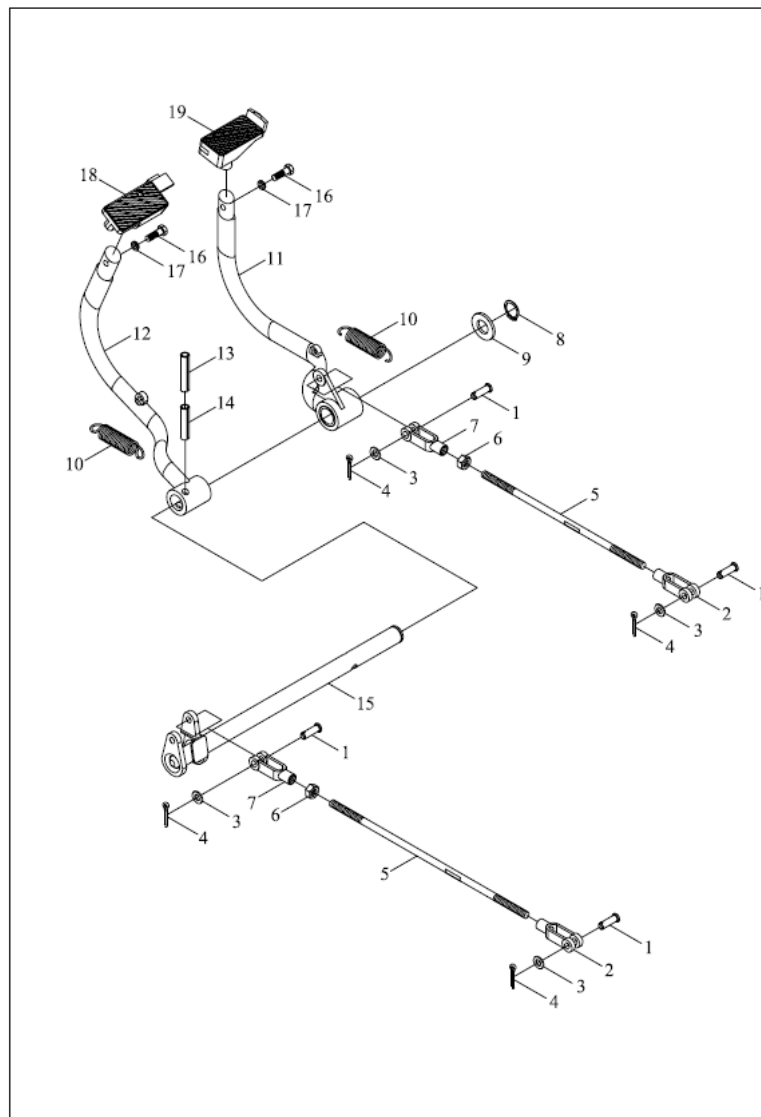
TB604.432D 右制动器总成



TB604.432D 43.2-右制动器总成 43.2-RIGHT BRAKE ASSEMBLY

标号 No.	代号 Code	名称 Description		数量 Quantity	备注 Remark
1	TB604.432D.1	右曲柄合件	RIGHT CRANK UNIT	1	2011-11_
10	GBT6171-M12X1.25-10-A3L	1型六角螺母	NUT	13	2011-11_
11	GBT93-12	垫圈	WASHER	13	2011-11_
12	GBT899-AM12-M12X1.25X80-10.9-A2L	双头螺柱	8.8-A3L STUD	13	2011-11_
13	JBT982-12	组合密封垫圈	COMBINED SEAL GASKET	1	2013-04_
13	FT300.43.153	最终传动放油口垫圈	FINAL TRANSMISSION OIL DRAINING PORT	1	2011-11_
14	FT300.43.154	螺塞	WASHER	1	2011-11_
15	TB550.431.3	制动器摩擦盘总成	SCREW PLUG	3	2011-11_
16	FT300.43.105	隔板	BRAKE FRICTION PLATE ASSEMBLY	2	2011-11_
17	TB550.432-01	右制动器压盘	SPACER PLATE RIGHT BRAKE PLATEN	1	2011-11_
18	GBT308-18.000-G100-b	钢球		6	2011-11_
19	FT300.43.102	碗形塞	BALL	6	2011-11_
2	GBT3452.1-20.0X2.65G	液压气动用O形橡胶密封圈	BOWL PLUG	1	2008-01_
3	FT300.43.107	隔套	O-SEAL RING	1	2011-11_
4	TB550.431-02	拨块	SPACER BUSH SHIFTING BLOCK	1	2011-11_
5	TB550.432.1	右制动器壳总成		1	2011-11_
6	TB550.432.1-01	右制动器壳体	RIGHT BRAKE HOUSING ASSEMBLY	1	2011-11_
7	TB550.431.1-02	曲柄轴衬套	RIGHT BRAKE HOUSING	1	2011-11_
8	GBT3452.1-18.0X2.65G	液压气动用O形橡胶密封圈	CRANK SHAFT BUSH	1	2011-11_
8.1	FT300.43.109a	垫圈	O-SEAL RING WASHER	1	2011-11_
8.2	GBT894.1-18	挡圈		1	2011-11_
9	FT300.43.101	O形圈	RETAINER RING O-RING	1	2011-11_

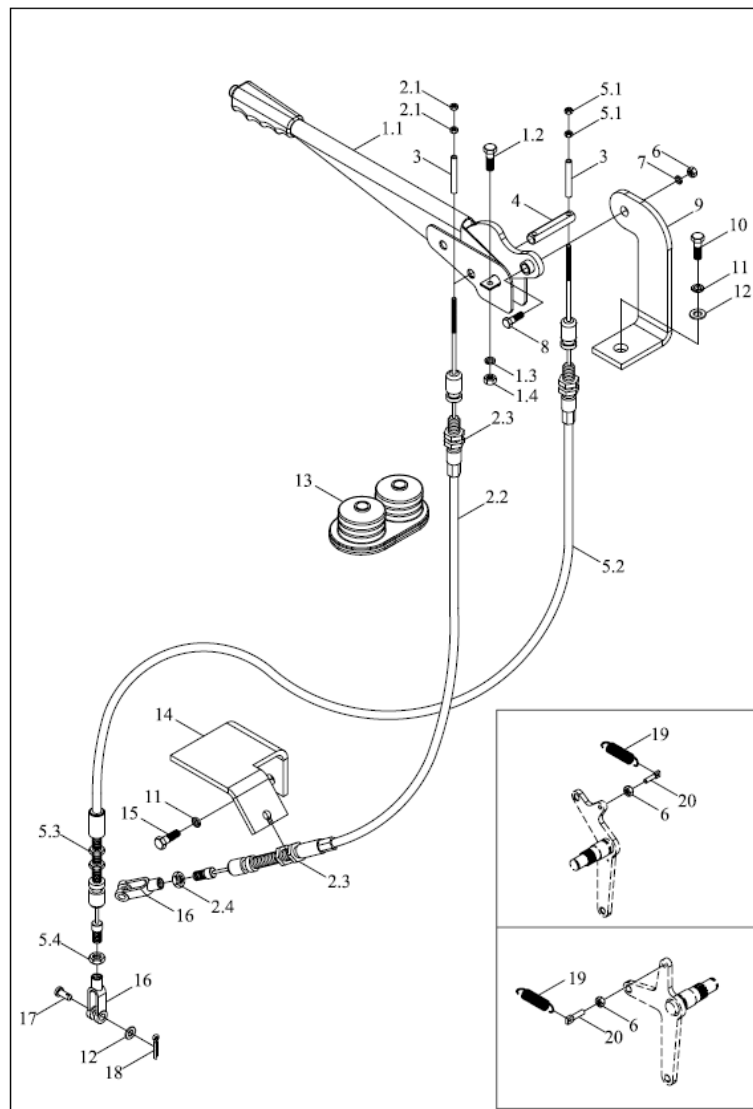
TB604.433D 制动器操纵机构总成-1



TB604.433D-1 43.3.1-制动器操纵机构总成-1 BRAKE CONTROL MECHANISM ASSEMBLY-1

标号 No.	代号 Code	名称 Description		数量 Quantity	备注 Remark
1	GBT882-B10X28-A0P	销轴	PIN	4	2011-11_
10	TB604.433D-02	踏板回位弹簧	PEDAL RETURN SPRING	2	2011-11_
11	TB604.433D.2	右制动踏板体合件	RIGHT BRAKE PEDAL BODY UNIT	1	2011-11_
12	TB604.433D.1	左制动踏板体焊合	LEFT BRAKE PEDAL BODY WELDMENT	1	2011-11_
13	GBT879.1-6X40	弹簧圆柱销	SPRING COLUMN PIN	1	2011-11_
14	GBT879.1-10X40	弹性圆柱销	PIN	1	2011-11_
15	FT300.43.020a	踏板轴合件	PEDAL SHAFT UNIT	1	2011-11_
16	GBT5873-M6X16-A2L	六角头螺栓	BOLT	2	2011-11_
17	GBT93-6-A0P	弹簧垫圈	SPRING WASHER	2	2011-11_
18	TB604.433D.3	左制动踏板合件	LEFT BRAKE PEDAL UNIT	1	2011-11_
19	TB604.433D-01	右制动踏板	RIGHT BRAKE PEDAL	1	2011-11_
2	TA700.431A-01	右旋长条孔连接叉	DEXTROROTATION LONG HOLE CONNECT FORK	2	2011-11_
3	GBT97.1-10-A0P	平垫圈	WASHER	4	2011-11_
4	GBT91-3.2X16-A0P	开口销	PIN	4	2011-11_
5	TB604.433A-03	拉杆	PULL ROD	2	2011-11_
6	GBT6170-M10-LH-A3L	螺母	NUT	2	2011-11_
7	FT300.43.110	拉杆后叉	PULL ROD REAR FORK	2	2011-11_
8	GBT894.1-25	挡圈	RETAINER RING	1	2011-11_
9	GBT97.1-24-A0P	垫圈	WASHER	1	2011-11_
9	GBT97.1-24-A0P	垫圈	WASHER	1	2011-11_

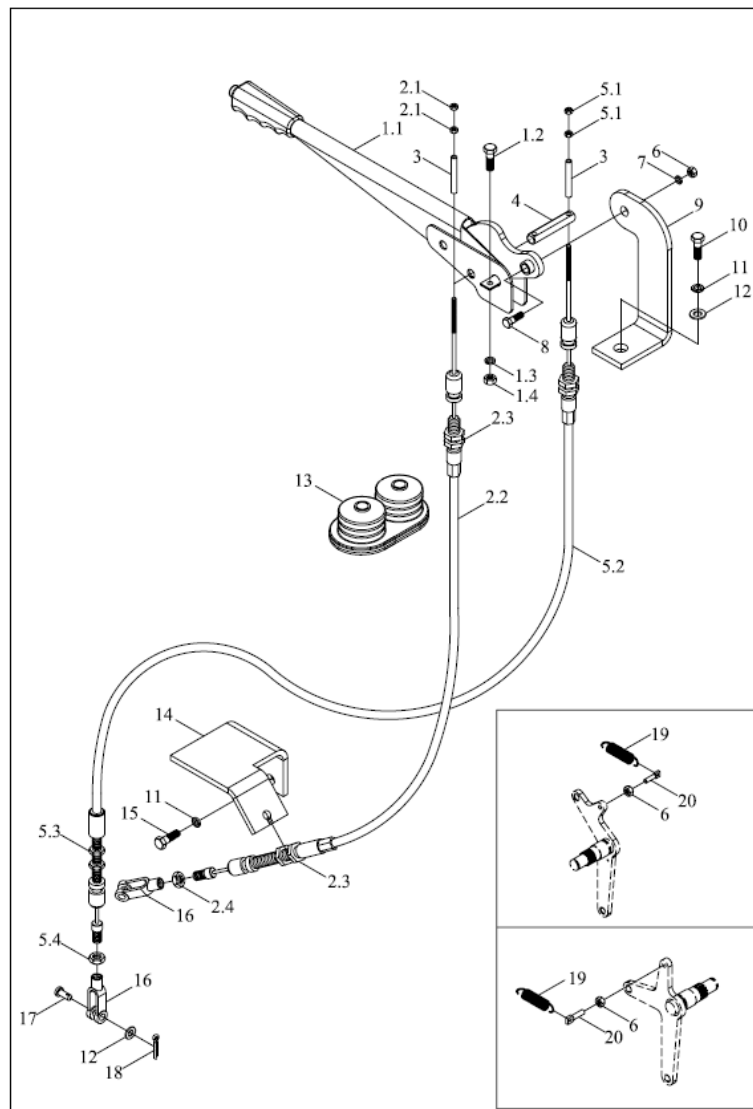
TB604.433D 制动器操纵机构总成 -2



TB604.433D-2 43.3.2-制动器操纵机构总成-2 BRAKE CONTROL MECHANISM ASSEMBLY-2

标号 No.	代号 Code	名称 Description	数量 Quantity	备注 Remark
1	TA820.213D.3	手刹把手总成	1	2011-11_
1.1	TA820.213D.3.1	手刹把手	1	2011-11_
1.2	GBT5781-M8X30-A2L	六角头螺栓	2	2011-11_
1.3	GBT93-8-A0P	垫圈	2	2011-11_
1.4	GBT6170-M8-A2L	螺母	2	2011-11_
10	GBT5783-M10X25-A3L	螺栓	1	2011-11_
11	GBT93-10-A0P	标准型弹簧垫圈	3	2011-11_
12	GBT97.1-10-A0P	平垫圈	3	2011-11_
13	TB504.433-04	防尘套	1	2011-11_
14	TB604.433A.3	左拉线固定板焊接	1	2011-11_
15	GBT5783-M10X20-A3L	螺栓	2	2011-11_
16	TA700.431A-01	右旋长条孔连接叉	2	2011-11_
17	GBT882-B10X28-A0P	销轴	2	2011-11_
18	GBT91-3.2X16-A0P	开口销	2	2011-11_
19	TB604.433-03	弹簧拉销	2	2011-11_
2	TB604.433D.4	左制动拉线装配总成	1	2011-11_
2.1	GBT6170-M5-A2L	1型六角螺母	2	2011-11_
2.2	TB604.433D.4.1	左制动拉线总成	1	2011-11_
20	TB604.433-02	制动曲柄回位弹簧	2	2011-11_
3	TB504.433-06	支撑套管	2	2011-11_
4	TB504.433-05	销轴	1	2011-11_
5	TB604.433D.5	右制动拉线装配总成	1	2011-11_
5.1	GBT6170-M5-A2L	1型六角螺母	2	2011-11_
5.2	TB604.433D.4.1	左制动拉线总成	1	2011-11_
5.3	GBT6173-M8X1-A2L	1型六角螺母	4	2011-11_

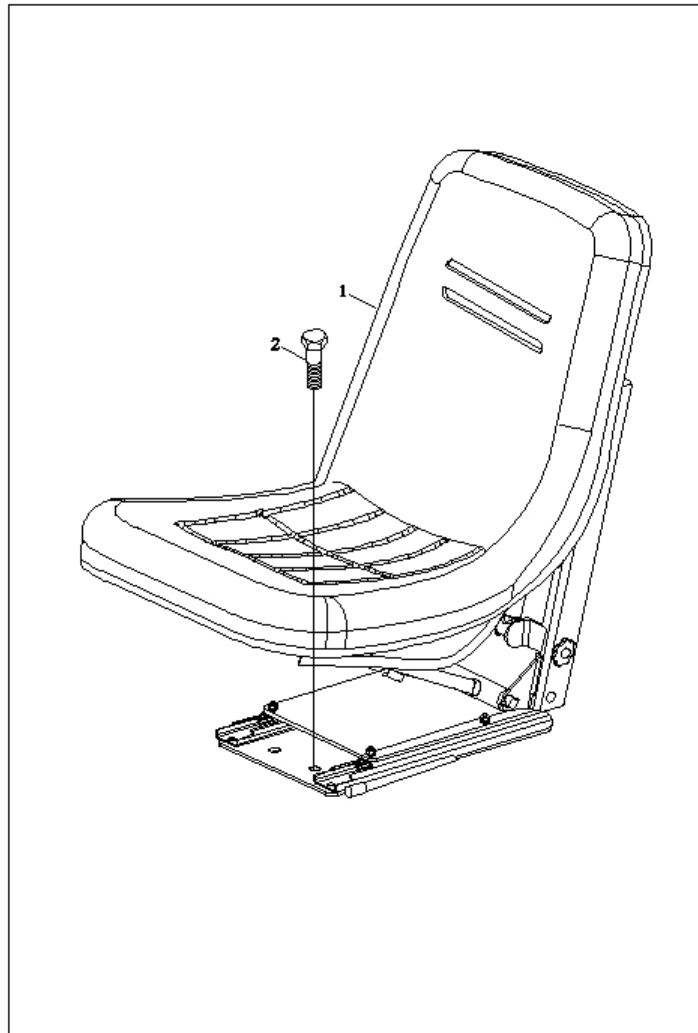
TB604.433D 制动器操纵机构总成 -2



TB604.433D-2 43.3.2-制动器操纵机构总成-2(续)

标号 No.	代号 Code	名称 Description		数量 Quantity	备注 Remark
5.4	GBT6173-M10X1-A2L	六角薄螺母	NUT	1	2011-11_
6	GBT6170-M8-A2L	螺母	NUT	3	2011-11_
7	GBT93-8-A0P	垫圈	WASHER	1	2011-11_
8	GBT5783-M8X35-A2L	六角头螺栓	BOLT	1	2008-01_
9	TA820.213D.1	棘轮支架焊合	RATCHET WHEEL BRACKET WELDMENT	1	2011-11_

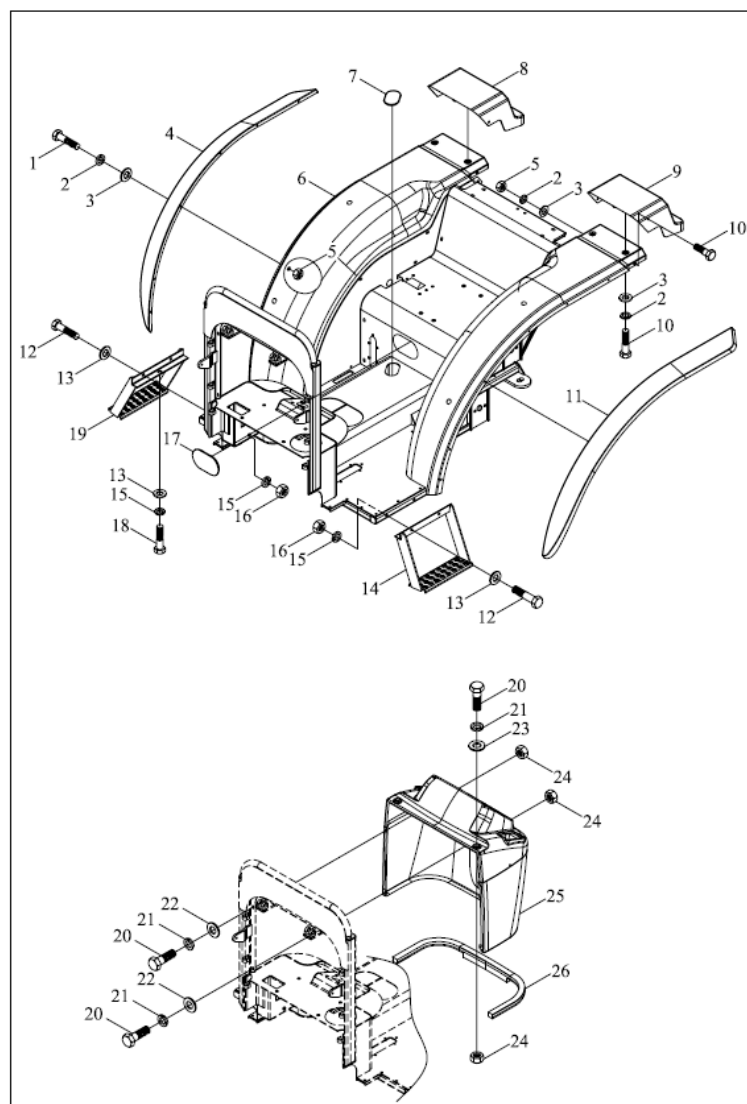
TB400.44L 座椅安装总成



TB400.44L 44-座椅安装总成 44SEAT INSTALLATION ASSEMBLY

标号 No.	代号 Code	名称 Description		数量 Quantity	备注 Remark
1	TB400.44L.1	座椅总成	SEAT ASSEMBLY	1	
2	GBT5783-M8X20-8.8-A3L	六角头螺栓	BOLT	4	

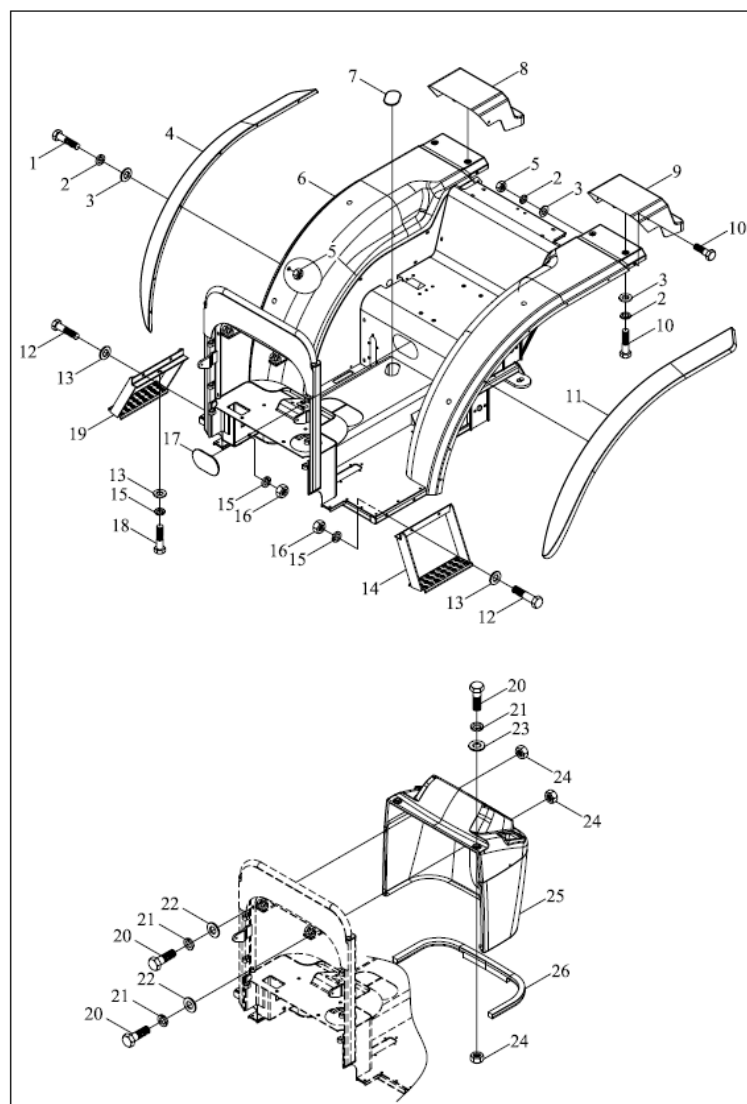
TB604.452C 地板总成-1



TB604.452C-1 45.2.1-地板总成-1 FLOOR ASSEMBLY-1

标号 No.	代号 Code	名称 Description		数量 Quantity	备注 Remark
1	GBT5783-M5X12-8.8-A2L	六角头螺栓	BOLT	12	2011-11_
10	GBT5783-M6X12-8.8-A2L	六角头螺栓	BOLT	8	2011-11_
11	TE324.472.1-02	左挡泥板外件	LEFT MUD GUARD OUTER PART	1	2011-11_
12	GBT5783-M10X50-8.8-A2L	六角头螺栓	BOLT	4	2008-01_
13	GBT97.1-10-A0P	平垫圈	WASHER	10	2011-11_
14	TB604.452C.2	左脚蹬焊合	LEFT FOOT PEDAL WELDMENT	1	2011-11_
15	GBT93-10-A0P	标准型弹簧垫圈	WASHER	6	2011-11_
16	GBT6170-M10-8-A3L	1型六角螺母	NUT	4	2011-11_
17	FT300.47.398	后地板盖	REAR FLOOR COVER	1	2011-11_
18	GBT5783-M10X30-8.8-A3L	六角头螺栓	BOLT	2	2011-11_
19	TB604.452C.3	右脚蹬焊合	RIGHT FOOT PEDAL WELDMENT	1	2011-11_
2	GBT93-5-A0P	标准型弹簧垫圈	WASHER	12	2011-11_
20	GBT5783-M6X16-8.8-A2L	六角头螺栓	BOLT	6	2011-11_
21	GBT93-6-A0P	弹簧垫圈	SPRING WASHER	18	2011-11_
22	GBT97.1-6-A0P	平垫圈	WASHER	12	2011-11_
23	GBT96.1-6-A0P	垫圈	WASHER	2	2011-11_
24	GBT6170-M6-8-A2L	1型六角螺母	NUT	6	2011-11_
25	TB604.45.1	仪表台总成	DASHBOARD ASSEMBLY	1	2011-11_
26	TB550.452H-06	仪表台密封条	DASHBOARD SEAL STRIP	1	2011-11_
3	GBT97.1-5-A0P	垫圈	WASHER	12	2011-11_
4	TE324.472.2-02	右挡泥板外件	RIGHT MUD GUARD OUTER PART	1	2011-11_
5	GBT6170-M5-8-A2L	1型六角螺母	NUT	14	2011-11_
6	TB604.452C.1	地板焊合总成	FLOOR WELDMENT ASSEMBLY	1	2011-11_
7	FT300.47.360	密封套	SEAL SLEEVE	1	2011-11_
8	TE324.472.2-01	右挡泥板后件	RIGHT MUD GUARD REAR PART	1	2011-11_

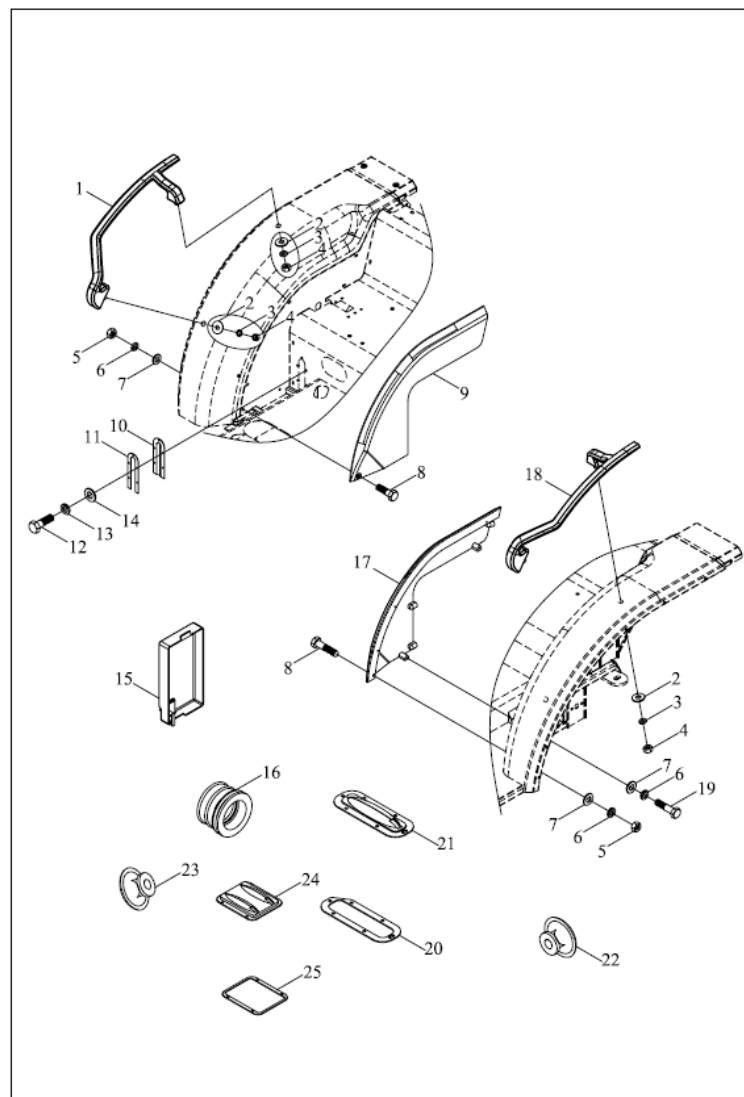
TB604.452C 地板总成-1



TB604.452C-1 45.2.1-地板总成-1(续)

标号 No.	代号 Code	名称 Description		数量 Quantity	备注 Remark
9	TE324.472.1-01	左挡泥板后件	LEFT MUD GUARD REAR PART	1	2011-11_

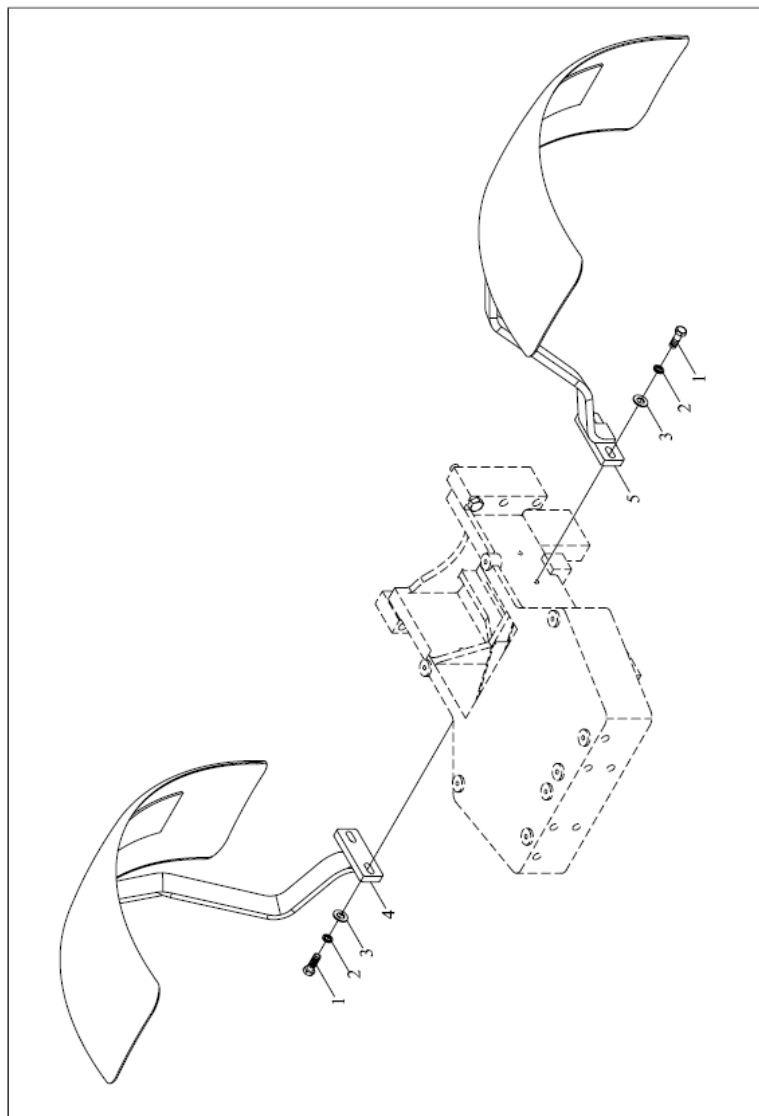
TB604.452C 地板总成-2



TB604.452C-2 45.2.2-地板总成-2 FLOOR ASSEMBLY-2

标号 No.	代号 Code	名称 Description		数量 Quantity	备注 Remark
1	TB480.453-04	右上车扶手	RIGHT HANDLE	1	2011-11_
10	TB550.452H-15	密封套	SEAL SLEEVE	1	2011-11_
11	TB550.452H-14	密封套压板1	SEAL SLEEVE PRESSURE PLATE 1	1	2011-11_
12	GBT5783-M5X16-8.8-A2L	六角头螺栓	BOLT	7	2011-11_
13	GBT93-5-A0P	标准型弹簧垫圈	WASHER	7	2011-11_
14	GBT97.1-5-A0P	垫圈	WASHER	7	2011-11_
15	TB550.452H-07	电器盒盖	ELECTRICAL BOX COVER	1	2011-11_
16	TB400.474E-01	防尘套	DUST COVER	1	2011-11_
17	TB604.452B-01	左装饰板	LEFT DECORATION PLATE	1	2011-11_
18	TB480.453-03	左上车扶手	LEFT RAIL	1	2011-11_
19	GBT5783-M6X20-8.8-A2L	六角头螺栓	BOLT	6	2011-11_
2	GBT96.1-16-A0P	垫圈16-A0P	WASHER	4	2011-11_
20	FT300.45.134	离合踏板防尘罩压条	CLUTCH PEDAL DUSTPROOF BONNET PRESSURE	1	2011-11_
21	FT300.45.133	离合踏板防尘罩	STRIP	1	2011-11_
22	TB604.452C-05	挡泥板堵盖2	CLUTCH PEDAL DUSTPROOF BONNET MUDGUARD PLUG COVER 2	2	2011-11_
23	TB604.452C-06	挡泥板堵盖1		2	2011-11_
24	TB604.452C-08	制动密封套压板	MUDGUARD PLUG COVER 1	1	2011-11_
25	TB604.452C-07	制动踏板密封套	PRESSURE PLATE OF BRAKE SEAL BUSH	1	2011-11_
3	GBT93-16-A0P	弹簧垫圈	BRAKE PEDAL SEAL BUSH	4	2011-11_
4	GBT6170-M16-8-A3L	1型六角螺母	SPRING WASHER NUT	4	2011-11_
5	GBT6170-M6-8-A2L	1型六角螺母		2	2011-11_
6	GBT93-6-A0P	弹簧垫圈	NUT	12	2011-11_
7	GBT97.1-6-A0P	平垫圈	SPRING WASHER	12	2011-11_
8	GBT5783-M6X16-8.8-A2L	六角头螺栓	WASHER	10	2011-11_
9	TB604.452B-02	右装饰板	BOLT	1	2011-11_

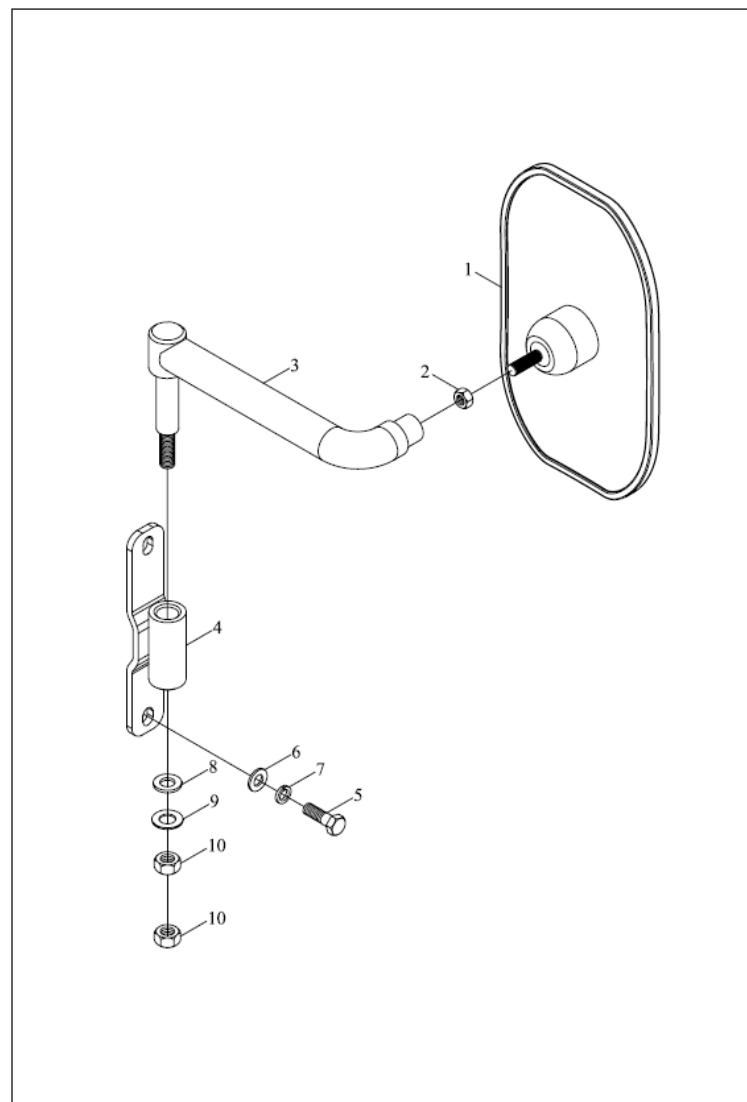
TB400.454B 前挡泥板总成



TB400.454B 45.4-前挡泥板总成 45.4-FRONT MUD GUARD ASSEMBLY

标号 No.	代号 Code	名称 Description		数量 Quantity	备注 Remark
1	GBT5783-M12X40-10.9-A3L	六角头螺栓	BOLT	4	2011-11_
2	GBT93-12-A0P	弹簧垫圈	SPRING WASHER	4	2011-11_
3	GBT97.1-12-A0P	平垫圈	WASHER	4	2011-11_
4	TB400.454B.2	右前挡泥板焊合	RIGHT FRONT MUD GUARD WELDMENT	1	2011-11_
5	TB400.454B.1	左前挡泥板焊合	LEFT FRONT MUD GUARD WELDMENT	1	2011-11_

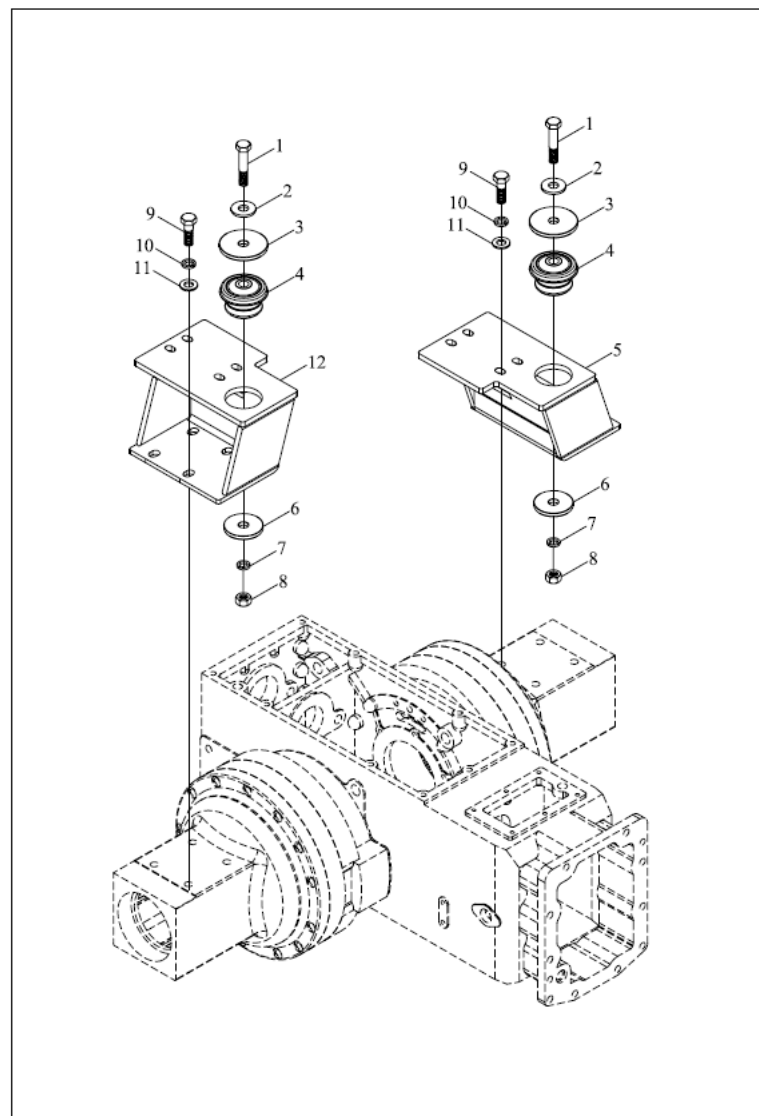
TB604.454 后视镜安装总成



TB604.454 45.4-后视镜安装总成 45.4-REARVIEW MIRROR INSTALLATION ASSEMBLY

标号 No.	代号 Code	名称 Description		数量 Quantity	备注 Remark
1	TB400.456A.3	后视镜总成	REARVIEW MIRROR ASSEMBLY	1	2011-11_
10	GBT6170-M10-8-A3L	1型六角螺母	NUT	2	2011-11_
2	GBT6170-M8-8-A2L	1型六角螺母	I-TYPE HEXAGON NUT	1	2011-11_
3	TB604.454.2	支架焊合	BRACKET WELDMENT	1	2011-11_
4	TB604.454.1	固定架焊合	FIXING BRACKET WELDMENT	1	2011-11_
5	GBT5783-M8X30-A2L	螺栓	BOLT	2	2011-11_
6	GBT95-8-A0P	平垫圈	WASHER	2	2011-11_
7	GBT93-8-A0P	垫圈	WASHER	2	2011-11_
8	GBT95-10-A0P	垫圈	WASHER	1	2011-11_
9	GBT955-10-A0P	波形弹性垫圈	WASHER	1	2008-01_

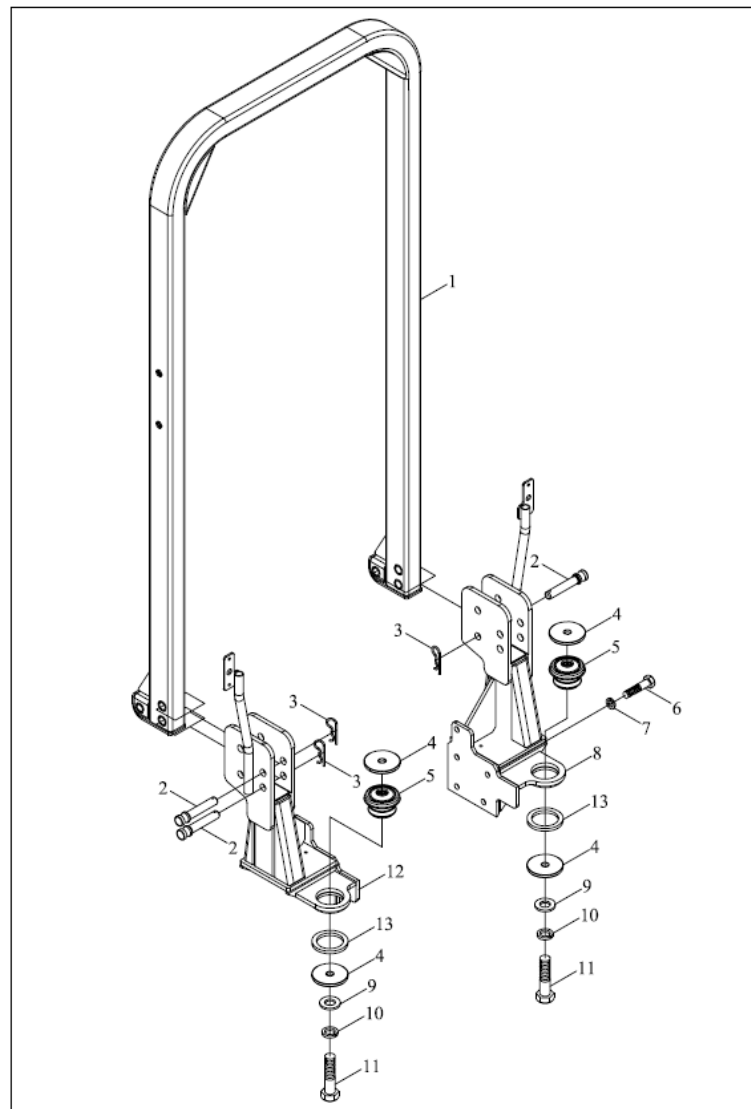
TB604.458B 后连接总成



TB604.458B 45.8-后连接总成 45.8-REAR CONNECTING ASSEMBLY

标号 No.	代号 Code	名称 Description		数量 Quantity	备注 Remark
1	GBT5783-M16X90-8.8-A2L	六角头螺栓	BOLT	2	2008-01_
10	GBT93-14-A0P	弹簧垫圈	SPRING WASHER	8	2011-11_
10	GBT93-14-A0P	弹簧垫圈	SPRING WASHER	8	2011-11_
11	GBT97.1-14-A0P	垫圈14-A0P	WASHER	8	2011-11_
12	TB604.458B.2	后连接右支座	REAR CONNECTING RIGHT SEAT	1	2011-11_
2	GBT96.1-16-A0P	垫圈16-A0P	WASHER	2	2011-11_
3	TB400.457B-02	挡圈	RETAINER RING	2	2011-11_
4	TB400.457B-01	减震块	ABSORBER	2	2011-11_
5	TB604.458B.1	后连接左支座	REAR CONNECTING LEFT SEAT	1	2011-11_
6	TB604.458B-01	减震压板	SHOCK ABSORBER PRESSURE PLATE	2	2011-11_
7	GBT93-16-A0P	弹簧垫圈	SPRING WASHER	2	2011-11_
8	GBT6170-M16-8-A3L	1型六角螺母	NUT	2	2011-11_
9	GBT5783-M14X30-8.8-A3L	六角头螺栓	BOLT	8	2008-01_

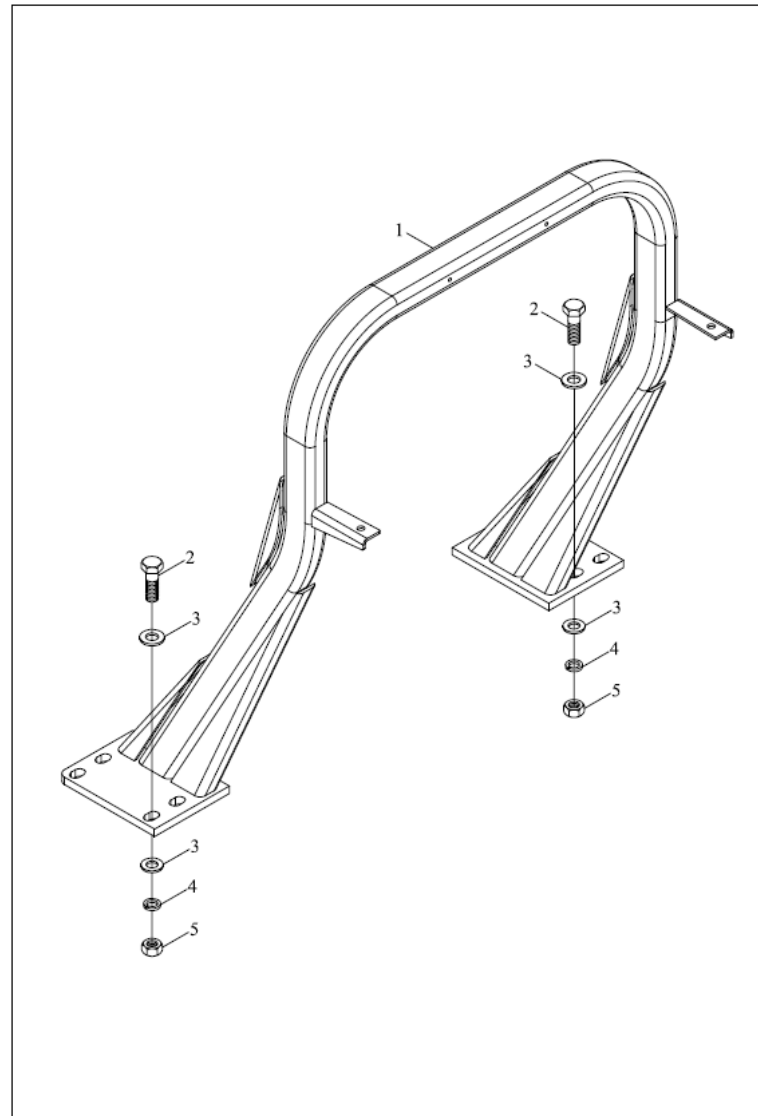
TB604.461C 中置安全架



TB604.461C 46.1-中置安全架 46.1-MIDDLE PLACE SAFTY FRAME

标号 No.	代号 Code	名称 Description		数量 Quantity	备注 Remark
1	TB604.461C.3	上梁焊合	UPPER BEAM WELDMENT	1	2011-11_
10	GBT93-16-A0P	弹簧垫圈	SPRING WASHER	2	2011-11_
11	GBT5783-M16X90-8.8-A2L	六角头螺栓	BOLT	2	2008-01_
12	TB604.461C.1	左下梁焊合	LEFT LOWER BEAM WELDMENT	1	2011-11_
13	TB400.457B.1-04	垫圈	WASHER	1	2011-11_
2	TB400.46B-02	销轴	PIN	6	2011-11_
3	FT800.56.207	弹簧锁销	SPRING LOCK PIN	6	2011-11_
4	TB400.457B-02	挡圈	RETAINER RING	4	2011-11_
5	TB400.457B-01	减震块	ABSORBER	2	2011-11_
6	GBT5783-M12X30-10.9-A3L	六角头螺栓	BOLT	10	2011-11_
7	GBT93-12-A0P	弹簧垫圈	SPRING WASHER	10	2011-11_
8	TB604.461C.2	右下梁焊合	RIGHT LOWER GIRDER WELDMENT	1	2011-11_
9	GBT97.1-16-A0P	垫圈	WASHER	2	2011-11_

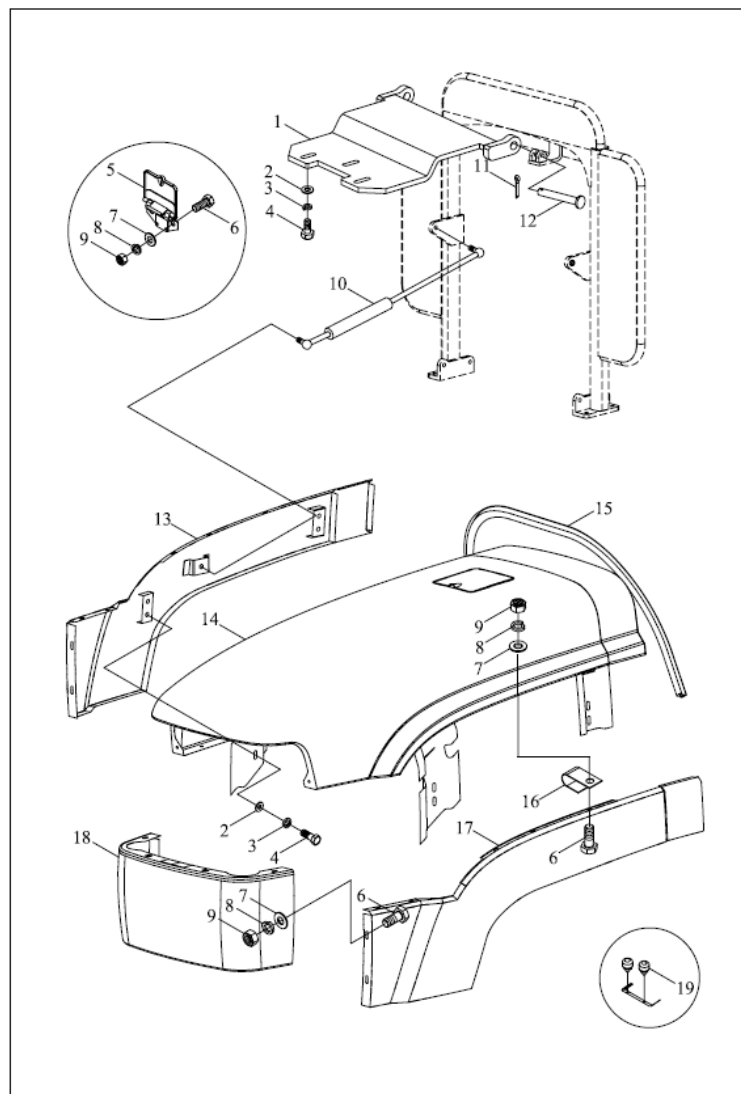
TB604.462C 辅助安全架总成



TB604.462C 46.2-辅助安全架总成 46.2-ASSISTANT SAFTY FRAME ASSEMBLY

标号 No.	代号 Code	名称 Description		数量 Quantity	备注 Remark
1	TB604.462C.1	辅助安全架焊合	ASSISTANT SAFTY FRAME WELDMENT	1	2011-11_
2	GBT5783-M12X40-10.9-A3L	六角头螺栓	BOLT	8	2008-01_
3	GBT97.1-12-A0P	平垫圈	WASHER	16	2011-11_
4	GBT93-12-A0P	弹簧垫圈	SPRING WASHER	8	2011-11_
5	GBT6170-M12-10-A3L	1型六角螺母	NUT	8	2011-11_

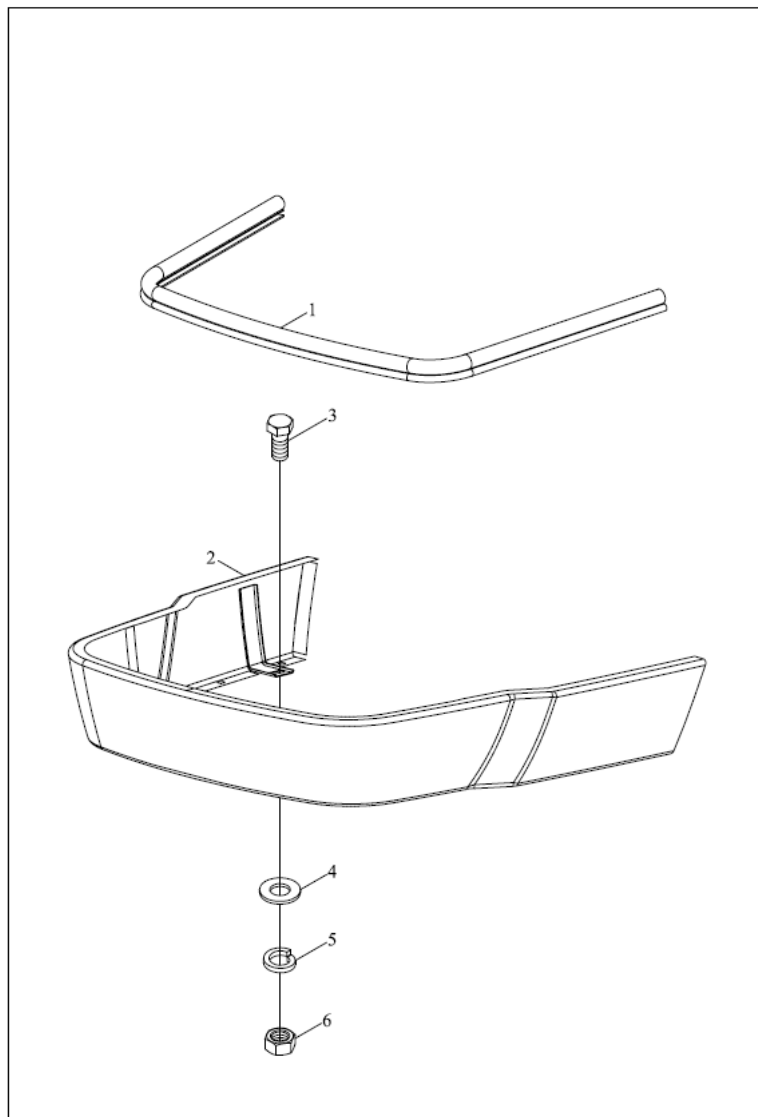
TB604.471C 机罩装配总成



TB604.471C 47.1-机罩装配总成 47.1-BONNET INSTALLATION ASSEMBLY

标号 No.	代号 Code	名称 Description		数量 Quantity	备注 Remark
1	TB604.471C.1	连接板焊合	CONNECTING PLATE WELDMENT	1	2011-11_
10	FT400.47X.558	机罩气弹簧(3)	BONNET PNEUMATIC SPRING (3)	2	2011-11_
11	GBT91-3.2X20-A0P	开口销	PIN	2	2011-11_
11	GBT91-3.2X20-A0P	开口销	PIN	2	2011-11_
12	GBT882-B12X45-A0P	销轴	PIN	2	2011-11_
13	TB604.471C.3	机罩右侧板总成	BONNET RIGHT PLATE ASSEMBLY	1	2011-11_
14	TB450.471.1	机罩上板焊合	BONNET UPPER PLATE WELDMENT	1	2011-11_
15	FT300.47.110	机罩后密封条	BONNET REAR SEAL STRIP	1	2011-11_
16	FT65.48.097	线束固定夹(二)	HARNESS LOCKING CLAMP (2)	5	2011-11_
17	TB604.471C.2	机罩左侧板总成	BONNET LEFT ASSEMBLY	1	2011-11_
18	FT300A.47.011	机罩网眼板焊合	BONNET MESH PLATE WELDMENT	1	2011-11_
18	FT300A.47.011	机罩网眼板焊合	BONNET MESH PLATE WELDMENT	1	2011-11_
19	FT65.47.111	缓冲钉	CUSHION PIN	4	2011-11_
2	GBT97.1-8-A0P	平垫圈	WASHER	11	2011-11_
3	GBT93-8-A0P	垫圈	WASHER	11	2011-11_
4	GBT5783-M8X25-A2L	螺栓	BOLT	11	2011-11_
5	FT65.47.026a	机罩上活盖铰链合件	BONNET UPPER UNFIXED COVER HINGE UNIT	1	2011-11_
6	GBT5783-M6x16-A2L	螺栓	BOLT	20	2011-11_
7	GBT97.1-6-A0P	平垫圈	WASHER	20	2011-11_
8	GBT93-6-A0P	弹簧垫圈	SPRING WASHER	20	2011-11_
9	GBT6170-M6-A2L	螺母	NUT	20	2011-11_

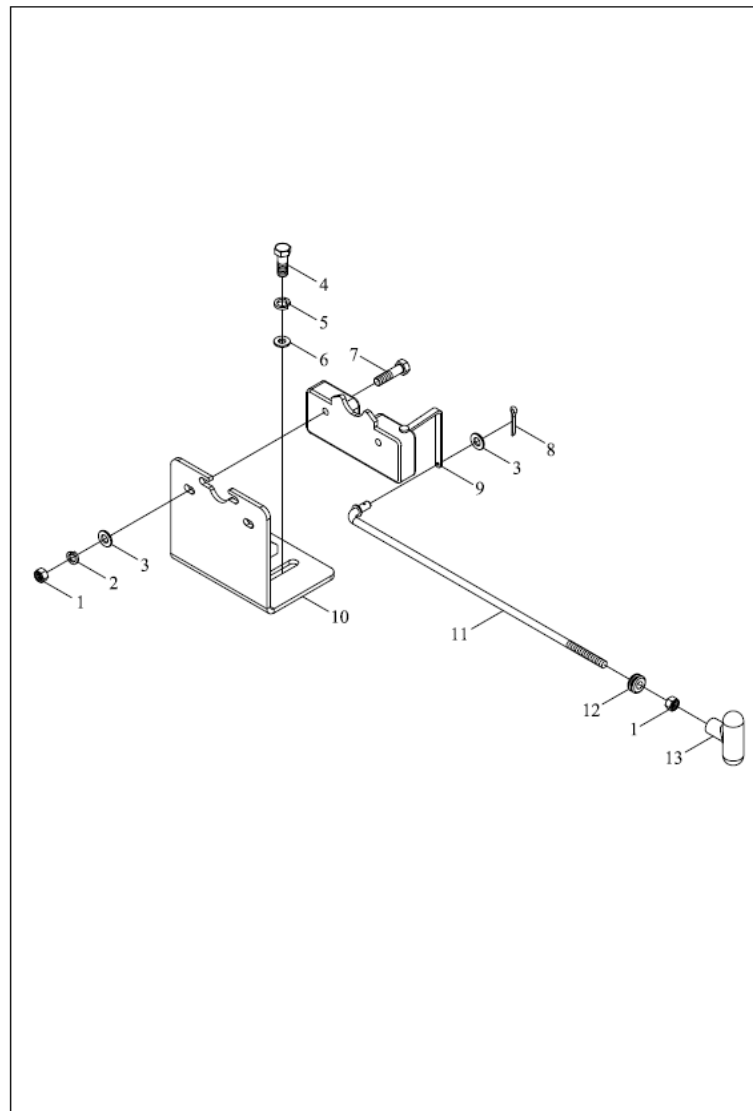
TB604.472B 机罩下尾板安装总成



TB604.472B 47.2-机罩下尾板安装总成 47.2-BONNET LOW TAIL PLATE MOUNTING ASSEMBLY

标号 No.	代号 Code	名称 Description		数量 Quantity	备注 Remark
1	TB400B.471-17	前下缓冲胶条	FRONT LOWER CUSHION RUBBER PIECE	1	2011-11_
2	TB604.472B.1	机罩下围板焊接总成	BONNET LOW PLATE WELD ASSEMBLY	1	2011-11_
3	GBT5783-M8X20-A2L	螺栓	BOLT	4	2011-11_
4	GBT97.1-8-A0P	平垫圈	WASHER	4	2011-11_
5	GBT93-8-A0P	垫圈	WASHER	4	2011-11_
6	GBT6170-M8-A2L	螺母	NUT	2	2011-11_

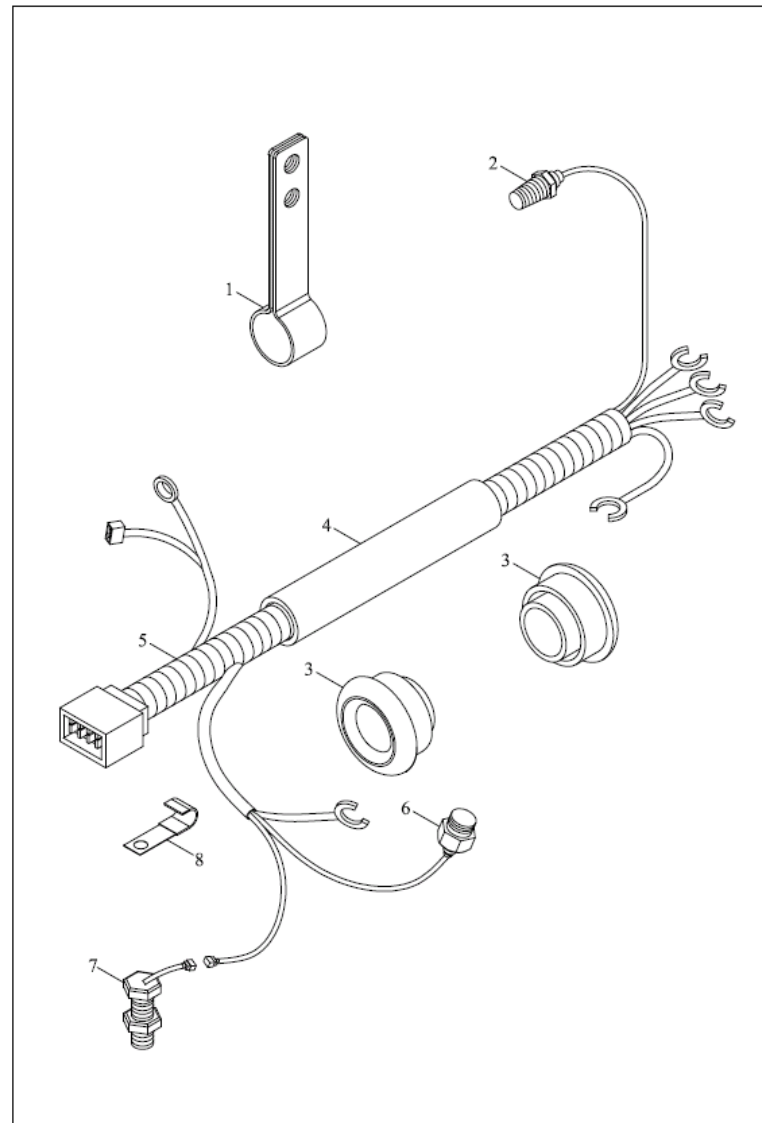
TB604.473B 机罩锁紧装置总成



TB604.473B 47.3-机罩锁紧装置总成 47.3-BONNET LOCKING DEVICE ASSEMBLY

标号 No.	代号 Code	名称 Description		数量 Quantity	备注 Remark
1	GBT6170-M6-A2L	螺母	NUT	5	2011-11_
10	TB604.473B.1	机罩锁板焊合	BONNET LOCK PLATE WELDMENT	1	2011-11_
11	TB450.473A.1	拉杆焊合	WELDED PUSHING ROD	1	2011-11_
12	TB450.473-02	胶圈	RUBBER RING	1	2011-11_
13	FT800A.47.056	手柄总成	HANDLE ASSEMBLY	1	2011-11_
2	GBT93-6-A0P	弹簧垫圈	SPRING WASHER	4	2011-11_
3	GBT97.1-6-A0P	平垫圈	WASHER	5	2011-11_
4	GBT5783-M10X25-A3L	螺栓	BOLT	2	2011-11_
5	GBT93-10-A0P	标准型弹簧垫圈	WASHER	2	2011-11_
6	GBT97.1-10-A0P	平垫圈	WASHER	2	2011-11_
7	GBT5783-M6X35-8.8-A1L	六角头螺栓	BOLT	4	2008-01_
8	GBT91-1.6X26-A0P	开口销	PIN	1	2011-11_
9	TB450.473.2	机罩锁	BONNET LOCK	1	2011-11_

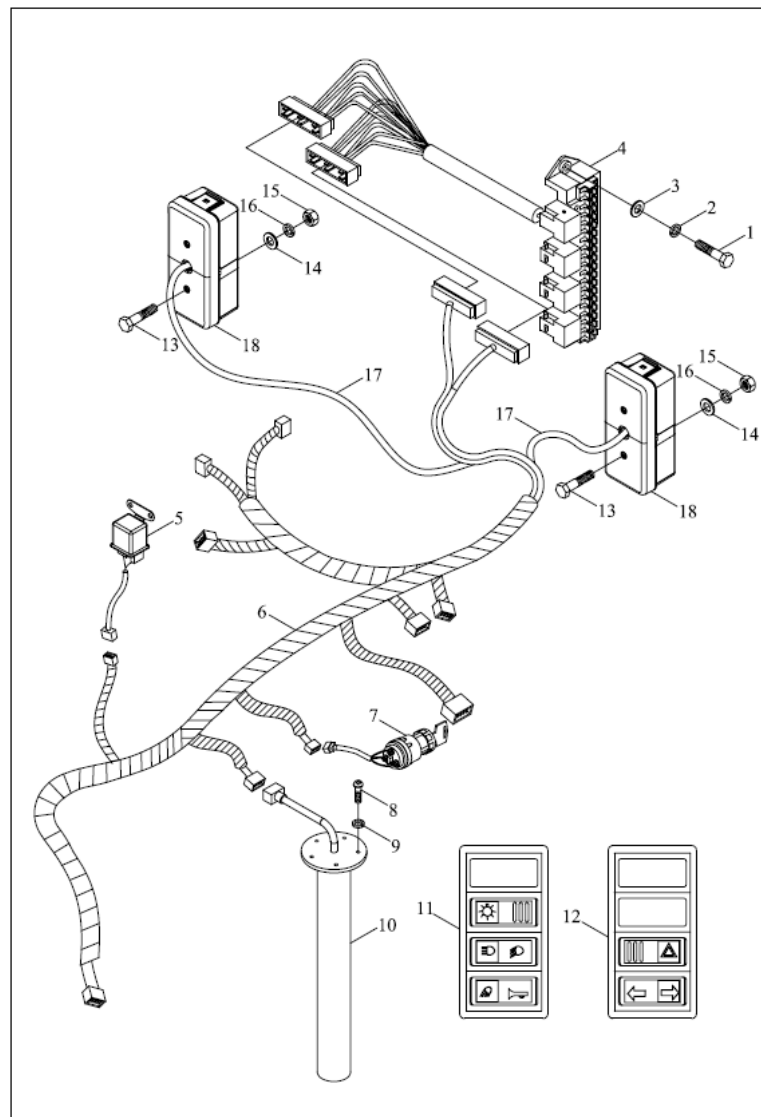
TB450.481H Engine wire harness mounting assembly



TB450.481H 48.1-发动机线束安装总成 48.1-ENGINE HARNESS INSTALLATION ASSEMBLY

标号 No.	代号 Code	名称 Description		数量 Quantity	备注 Remark
1	FT400.48B.1-01	钢管固定夹	FIXING CLIP OF STEEL PIPE	2	2011-11_
2	FT300.48.072	水温传感器	WATER TEMPERATURE SENSOR	1	2011-11_
3	FT800.48L.107	护线套	SLEEVE	2	2011-11_
4	FT300.48P.102	线束套管	HARNESS SLEEVE	1	2011-11_
5	TB450.481H.1	发动机线束总成	ENGINE HARNESS ASSEMBLY	1	2011-11_
6	FT300.48.073a	机油压力报警器	O? L PRESSURE SENSOR	1	2011-11_
7	FT300.48.074	转速传感器	RPM SENSOR	1	2011-11_
8	FT304.48L.203	线束紧固夹	HARNESS TIGHTEN CLIP	2	2011-11_

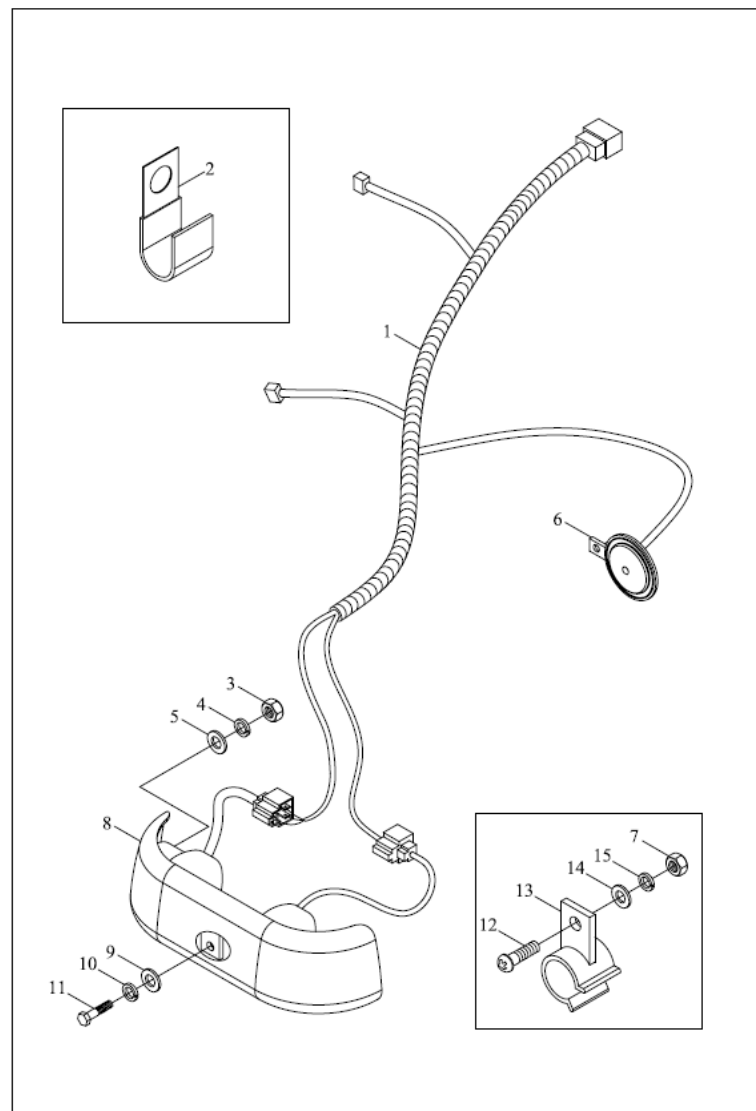
TB450.482M 车身线束安装总成



TB450.482M 48.2-车身线束安装总成 48.2-BODY HARNESS INSTALLATION ASSEMBLY

标号 No.	代号 Code	名称 Description	数量 Quantity	备注 Remark
1	GBT818-M6X16-A2L	十字槽盘头螺钉	2	2011-11_
10	FT300.48.071a	油量传感器	1	2011-11_
11	FT300.48D.2.3	左翘板开关	1	2011-11_
12	TB450.482.1	右翘板开关	1	2011-11_
13	GBT5783-M5X20-A2L	六角头螺栓	4	2011-11_
14	GBT97.1-5-A0P	垫圈	4	2011-11_
15	GBT6170-M5-A2L	1型六角螺母	4	2011-11_
16	GBT93-5-A0P	标准型弹簧垫圈	4	2011-11_
17	TB450.482M.1	单面灯线束总成	2	2011-11_
18	TB450.484E.4	单面灯总成	2	2011-11_
2	GBT93-6-A0P	弹簧垫圈	2	2011-11_
3	GBT97.1-6-A0P	平垫圈	2	2011-11_
4	FT300.48D.2.2.2	预热继电器	1	2011-11_
4	FT300.48D.2.2.1	电压调节器	1	2011-11_
4	FT300.48D.2.2.1	电压调节器	1	2011-11_
4	FT300.48.513	电子闪光灯	1	2011-11_
4	FT300.48.512	主电源继电器	1	2011-11_
4	TB450.482J.2	中央电器盒	1	2011-11_
5	TB450.482.2	启动继电器	1	2011-11_
6	TB450.482J.1	车身线束总成	1	2011-11_
7	FT300.48.064	点火锁	1	2011-11_
8	GBT818-M4X10-A2L	螺钉	5	2011-11_
9	GBT93-4-A0P	标准型弹簧垫圈	5	2011-11_

TB450.483C 前灯线束安装总成



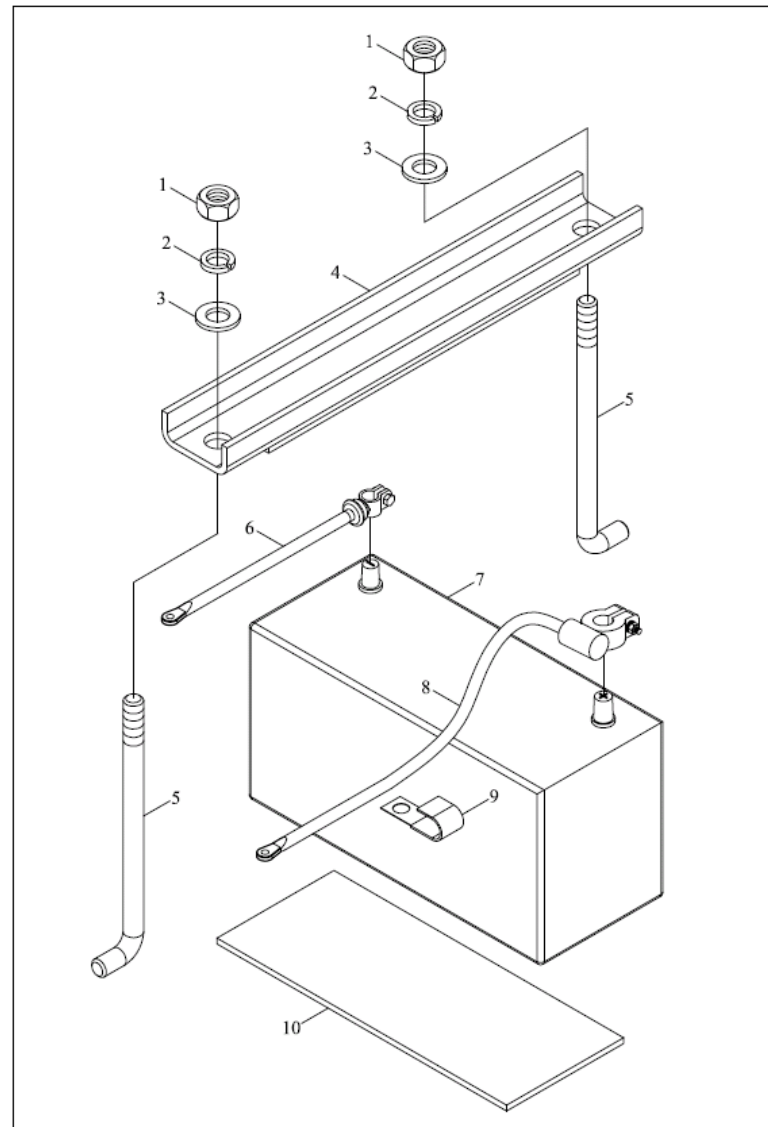
TB450.483C 48.3-前灯线束安装总成 48.3-FRONT LAMP HARNESS INSTALLATION ASSEMBLY

标号 No.	代号 Code	名称 Description	数量 Quantity	备注 Remark
1	FT400.48.023	前灯线束总成	1	2011-11_
10	GBT93-4-A0P	标准型弹簧垫圈	2	2011-11_
11	GBT818-M4X12-A2L	十字槽盘头螺钉	2	2011-11_
12	GBT818-M5X14-A2L	十字槽盘头螺钉	1	2011-11_
13	TB400.483-01	线束卡扣	1	2011-11_
14	GBT97.1-5-A0P	垫圈	1	2011-11_
15	GBT93-5-A0P	标准型弹簧垫圈	1	2011-11_
2	FT65.48.097	线束固定夹(二)	6	2011-11_
3	GBT6170-M6-A2L	螺母	4	2011-11_
4	GBT93-6-A0P	弹簧垫圈	4	2011-11_
6	TD800.483D.3	电喇叭	1	2011-11_
7	GBT6170-M5-A2L	1型六角螺母	1	2011-11_
8	TB450.483C.1	前组合灯总成	1	2011-11_
9	GBT97.1-4-A0P	垫圈	2	2011-11_

TB450.484X 48.4-后灯线束安装总成 48.4-REAR LAMP HARNESS INSTALLATION ASSEMBLY

标号 No.	代号 Code	名称 Description		数量 Quantity	备注 Remark
1	TB450.484X-01	牌照灯安装板	License plate lamp installation plate	1	2008-01_
10	FT65.48.093	穿线胶圈(一)	RUBBER RING (ONE)	2	2008-01_
11	GBT845-ST3.5X16	十字槽盘头自攻螺钉	SCREW	2	2008-01_
11	GBT845-ST3.5X16	十字槽盘头自攻螺钉	SCREW	2	2008-01_
12	FT300.48.033	制动灯开关	BRAKE LIGHT SWITCH	2	2008-01_
13	TB450.484K-01	制动开关安装板	BRAKE SWITCH INSTALLATION PLATE	1	2008-01_
14	TB450.484E.5	左反射器	LEFT REFLECTOR	1	2008-01_
15	TB450.484E.6	右反射器	RIGHT REFLECTOR	1	2008-01_
16	GBT6170-M5-8-A2L	1型六角螺母	NUT	7	2008-01_
17	TD900.484.2	后挂车插座	REAR TRAILER SOCKET	1	2012-02_
17	FT65.48.080	后挂车插座	REAR TRAILER SOCKET	1	2008-01_
18	GBT818-M5X35-4.8-A1L	十字槽盘头螺钉	SCREW	3	2008-01_
2	TA700.484A.2.1	牌照灯	LICENSE LAMP	1	2008-01_
3	GBT818-M5X16-4.8-A2L	十字槽盘头螺钉	SCREW	2	2008-01_
4	GBT93-5-A0P	标准型弹簧垫圈	WASHER	9	2008-01_
5	GBT97.1-5-A0P	垫圈	WASHER	9	2008-01_
6	TB450.484X.1	48.4-后灯线束总成	48.4-REAR LAMP HARNESS ASSEMBLY	1	2008-01_
6	TB450.484X.1a	48.4-后灯线束总成	48.4-REAR LAMP HARNESS ASSEMBLY	1	2012-02_
7	FT300.48.053a	后照灯	REAR LAMP	2	2008-01_
8	3203505D9-L	扎带	TIE	2	2008-01_
9	TB404.484.3	后尾灯总成	TAIL LAMP ASSEMBLY	2	2008-01_

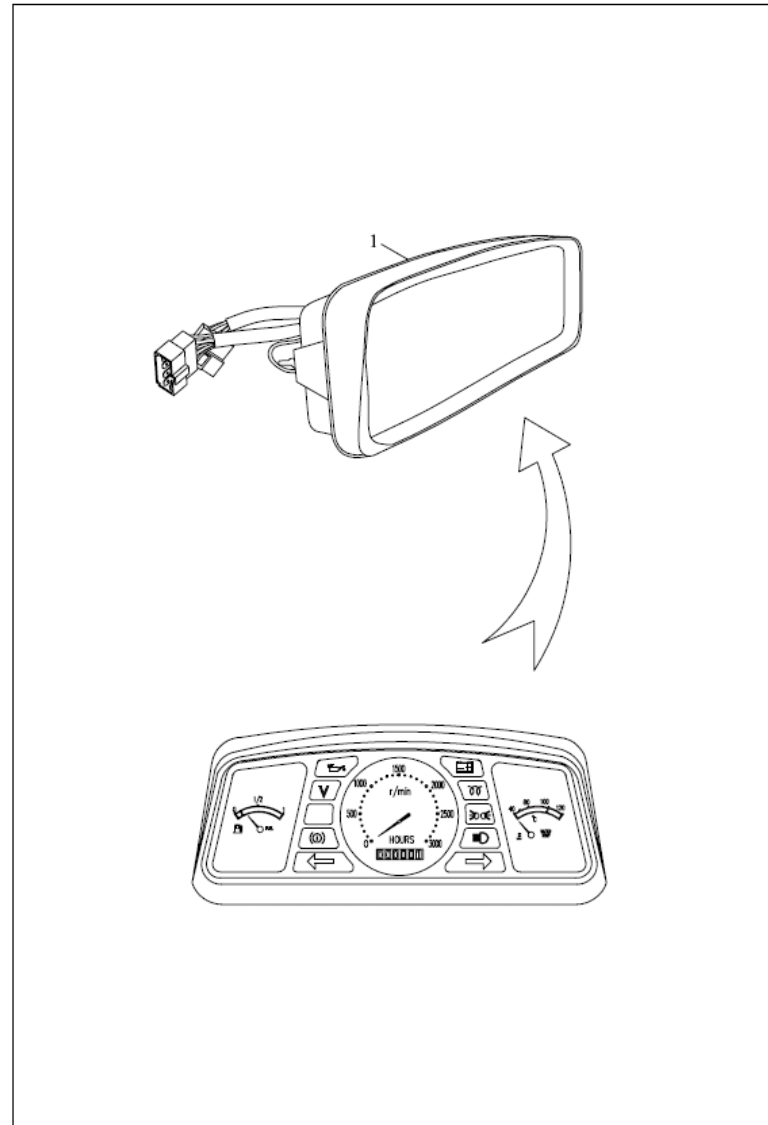
TB450.485A Battery mounting assembly



TB450.485A 48.5-蓄电池安装总成 48.5-BATTERY INSTALLATION ASSEMBLY

标号 No.	代号 Code	名称 Description		数量 Quantity	备注 Remark
1	GBT6170-M8-A2L	螺母	NUT	2	2011-11_
10	TB450.485.1	蓄电池减震垫	BATTERY SHOCK ABSORPTION MAT	2	2010-08_
10	FT450.48.102	蓄电池减震垫	BATTERY SHOCK ABSORPTION MAT	1	2004-01_
2	GBT93-8-A0P	垫圈	WASHER	2	2011-11_
3	GBT97.1-8-A0P	平垫圈	WASHER	2	2011-11_
4	TG1204.485-02	电瓶压板	BATTERY PRESS PLATE	1	2011-11_
5	TG1204.485-01	电瓶U型拉杆	U-TYPE PULL ROD OF BATTERY	2	
6	TB400.485A.2	电瓶搭铁线	BATTERY IRON WIRE	1	2011-11_
7	FT450.48.010	蓄电池	BATTERY	1	2011-11_
8	TB400.485A.1	电源线总成	POWER WIRE ASSEMBLY	1	2011-11_
9	FT65.48.095	线束紧固夹(一)	HARNESS TIGHTEN CLIP (1)	1	2011-11_

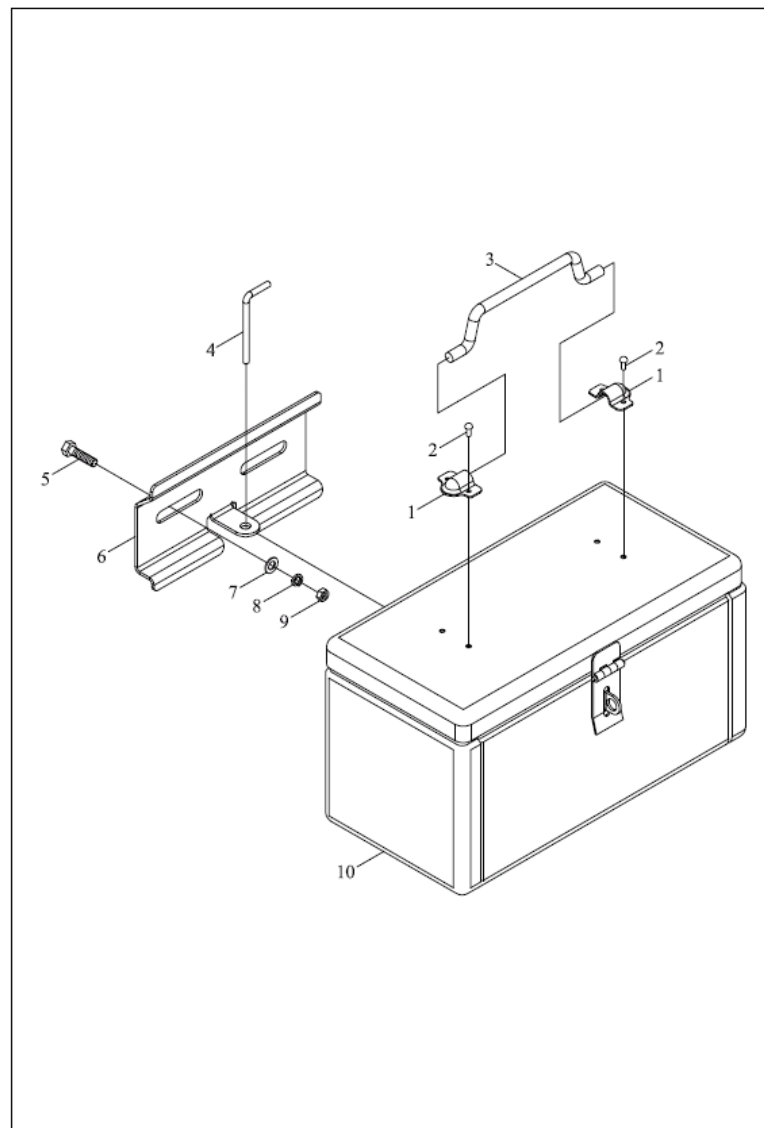
TB400.487 Combination instrument assembly



TB400.487 48.7-组合仪表总成 48.7-COMBINED INSTRUMENT ASSEMBLY

标号 No.	代号 Code	名称 Description	数量 Quantity	备注 Remark
1	FT300.48.061	组合仪表总成	1	2004-01_
1	FT300.48.061a	组合仪表总成	1	2009-05_

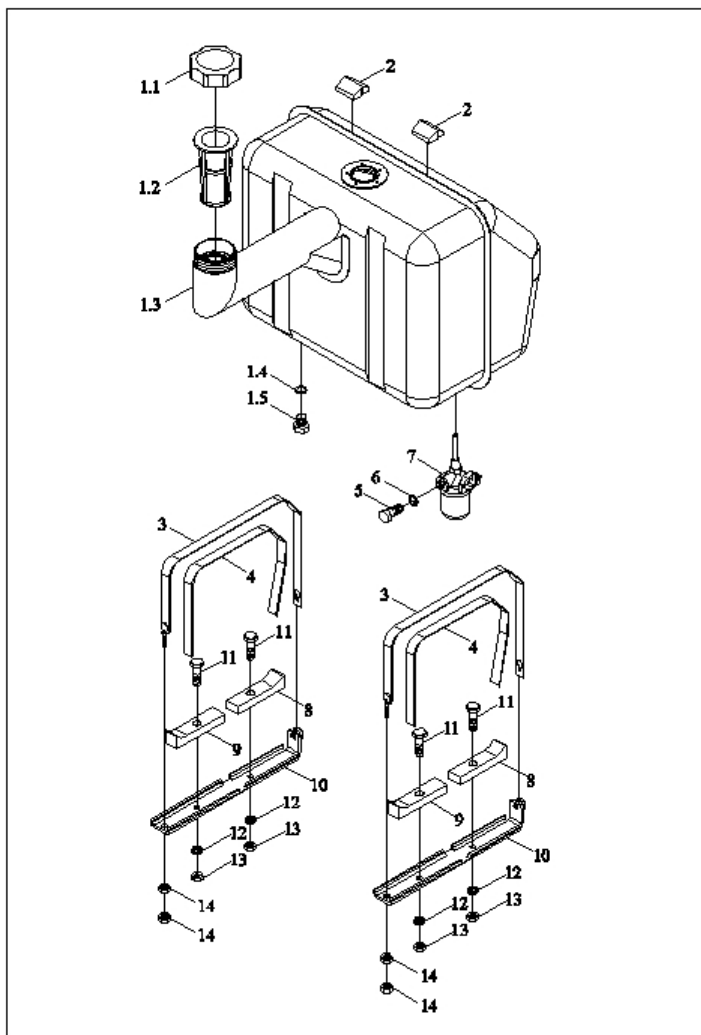
FT300.49.001 Tool box assembly



FT300.49.001 49-工具箱总成 49-TOOL BOX ASSEMBLY

标号 No.	代号 Code	名称 Description		数量 Quantity	备注 Remark
1	GBT5783-M12X25-A3L	六角头螺栓	BOLT	2	2011-11_
1	FT65.49.101	提手座	HANDLE SEAT	2	2003-11_
10	FT300.49.012	工具箱焊合总成	TOOL BOX WELDMENT ASSEMBLY	1	2003-11_
2	GBT 867-4X8	半圆头铆钉	RIVET	2	2003-11_
3	FT65.49.115	提手	HANDLE	1	2003-11_
4	FT65.49.102	插销	CROSS PIN	1	2003-11_
5	GBT5783-M12X35-A3L	螺栓	BOLT	2	2003-11_
5	GBT5783-M12X35-A3L	螺栓	BOLT	2	2003-11_
6	FT65.49.103	固定支板	FIXING SUPPORT PLATE	1	2003-11_
7	GBT97.1-12-A0P	平垫圈	WASHER	2	2003-11_
8	GBT93-12-A0P	弹簧垫圈	SPRING WASHER	2	2003-11_
9	GBT6170-M12-A3L	螺母	NUT	2	2003-11_

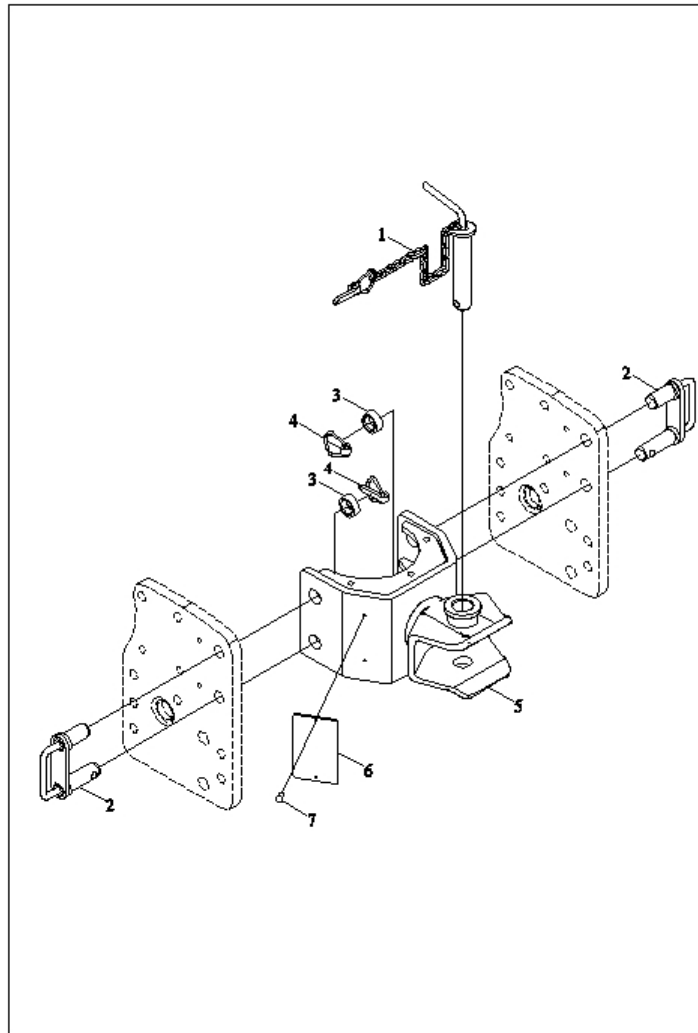
TB550.50G 燃油箱装配总成



TB550.50G 50-油箱装配总成

标号 No.	代号 Code	名称 Description		数量 Quantity	备注 Remark
1	TB550.50G.1	油箱总成	OIL TANK ASSEMBLY	1	
1.1	TD800.501A.1.1	油箱盖	OIL TANK COVER	1	
1.2	FT300.50.015	滤网总成	FILTER MESH ASSEMBLY	1	
1.3	TB550.50G.1.1	油箱焊合	FUEL TANK WELDMENT	1	
1.4	JBT982-16	组合密封垫圈	COMBINED SEAL GASKET	1	
1.5	FT65.50.226	放油螺塞	OIL DISCHARGING SCREW PLUG	1	
10	TB400.50X.1	油箱支架焊合	OIL TANK BRACKET WELDMENT	2	
11	GBT5783-M8X20-A2L	螺栓	BOLT	4	
12	GBT93.1-8-A0P	标准型弹簧垫圈	WASHER	4	
13	GBT6170-M8-A2L	螺母	NUT	4	
14	GBT6170-M10-A3L	螺母	NUT	4	
2	FT300.50.112	橡胶垫块	RUBBER PAD BLOCK	2	
3	TB400.50X.2	油箱扎带焊合	OIL TANK BAND WELDMENT	2	
4	FT404.50.114	主油箱扎带橡胶垫	MAIN OIL TANK BELT RUBBER WASHER	2	
5	FT65.50.106	空心螺栓	HOLLOW BOLT	1	
6	JBT982-14	组合密封垫圈	COMBINED SEAL GASKET	1	
6	JBT982-14	组合密封垫圈	COMBINED SEAL GASKET	1	
7	FT65.50.033	沉淀杯总成	SEDIMENT CUP ASSEMBLY	1	
7	FT65.50.033	沉淀杯总成	SEDIMENT CUP ASSEMBLY	1	
8	FT300.50.111	后橡胶垫	REAR RUBBER CUSHION	2	
9	FT300.50.110	前橡胶垫	FRONT RUBBER WASHER	2	

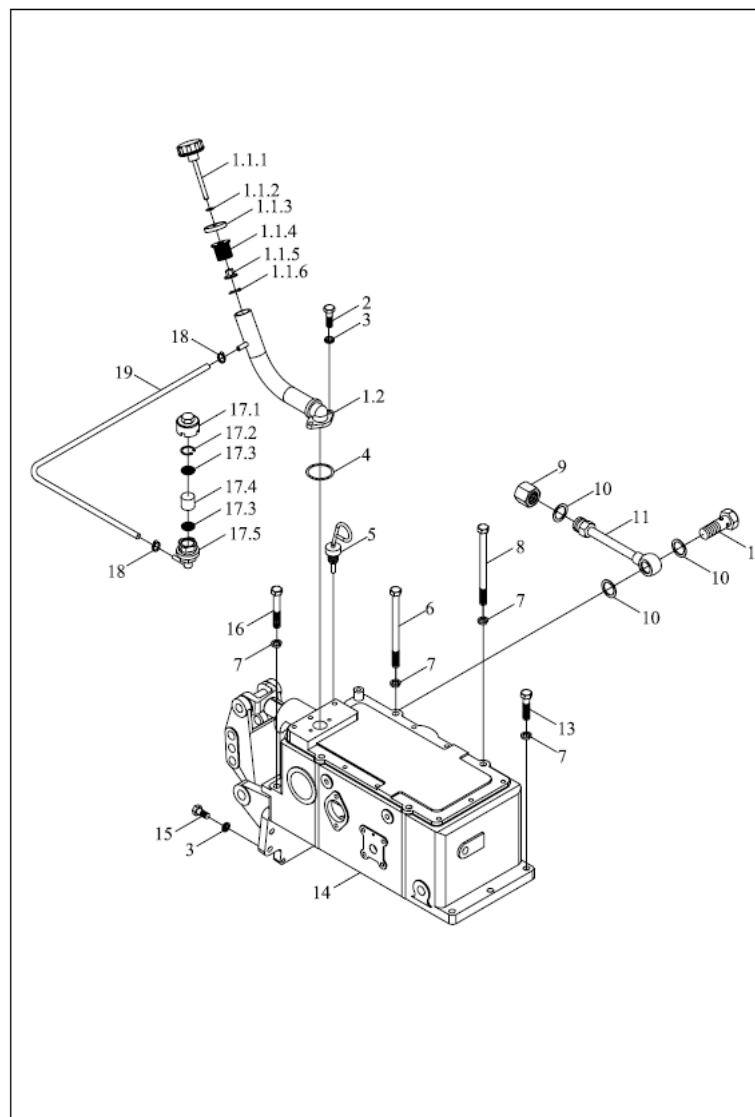
TB500.53B 拖挂装置总成



TB500.53B 53-拖挂装置装配总成 53-TOW EQUIPMENT INSTALLATION ASSEMBLY

标号 No.	代号 Code	名称 Description	数量 Quantity	备注 Remark
1	TA700.53C.1.3	拖挂销及锁销总成	1	
2	TB500.53B.1	U型销焊合	2	
3	TB500.53B-01	隔套	2	
4	FT300.56.029	锁销链总成	2	
5	TB400.53B.1	拖挂装置总成焊合	1	
6	TB400.53B-01	拖挂认证标牌	1	
7	GBT827-3X8-A0P	标牌铆钉	2	

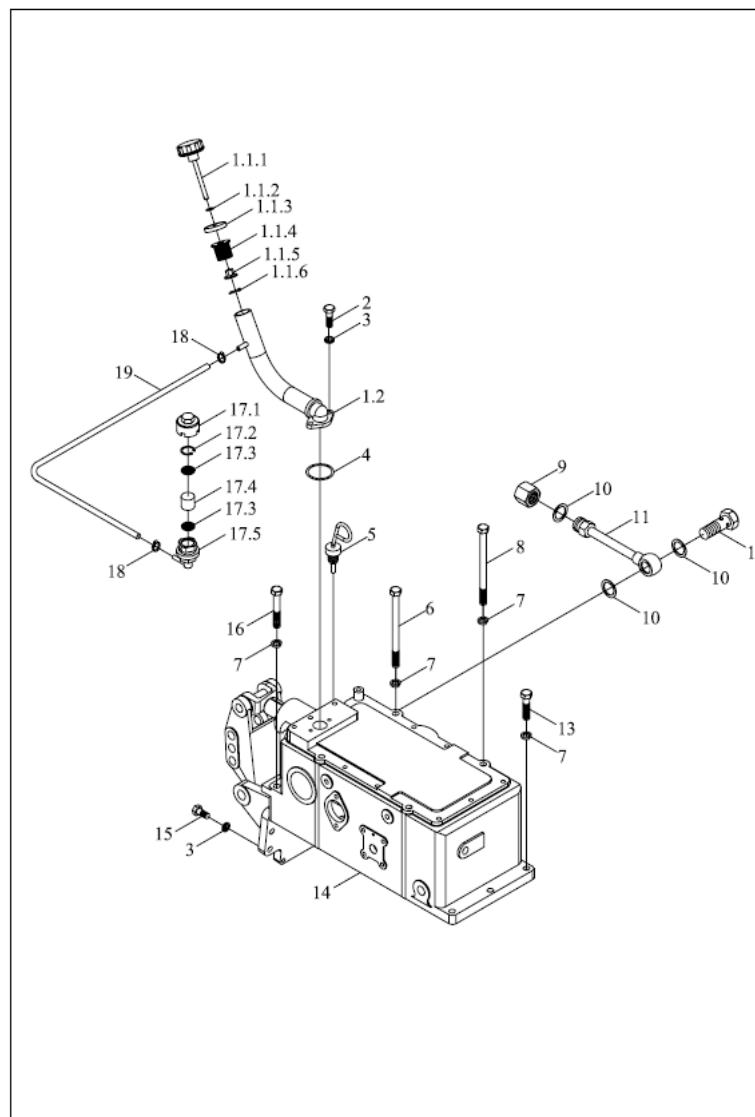
TB504.551B 提升器装配总成-1



TB504.551B-1 55.1-提升器装配总成-1 LIFTER INSTALLATION ASSEMBLY-7-1

标号 No.	代号 Code	名称 Description	数量 Quantity	备注 Remark
1	TB504.551B.2	加油口总成	1	2011-11_
1.1	TA700.55A.7	螺塞总成	1	2013-05_
1.1	FT300.55B.029	油管塞总成	1	2011-11_
1.11	FT700.55D.029	手轮总成 I	1	2011-11_
1.12	JBT982-8	组合垫圈	1	2011-11_
1.13	FT700.55D.129	盖板	1	2011-11_
1.14	FT300.55B.165	张紧胶套	1	2011-11_
1.15	FT300.55B.166	调节螺母	1	2011-11_
1.16	GBT91-3.2X16-A0P	开口销	1	2011-11_
1.2	TB504.551B.2.1	加油管焊合	1	2011-11_
10	JBT982-22	组合密封垫圈	3	2011-11_
11	FT300.55B.024	放油管焊接总成	1	2011-11_
12	FT300.58.101	空心螺栓	1	2011-11_
13	GBT5783-M12X40-A3L	螺栓	3	2011-11_
14	TB504.551B.1	提升器总成	1	2011-11_
15	GBT5783-M8×35-A3L	螺栓	2	2011-12_
16	GBT5783-M12X100-A3L	六角头螺栓全螺纹	2	2011-11_
17	TB504.551.2	呼吸器总成	1	2011-11_
17.1	FT700.55D.136	呼吸器盖	1	2011-11_
17.1	FT700.55D.136	呼吸器盖	1	2011-11_
17.2	GBT893.1-26	孔用弹性挡圈	1	2011-11_
17.3	FT650.40.167	座板	2	2011-11_
17.4	FT700.55D.109	呼吸器滤芯	1	2011-11_
17.5	TB504.551.2.1	呼吸器连接管焊合	1	2011-11_
18	Q67512	软管环箍	2	2011-11_

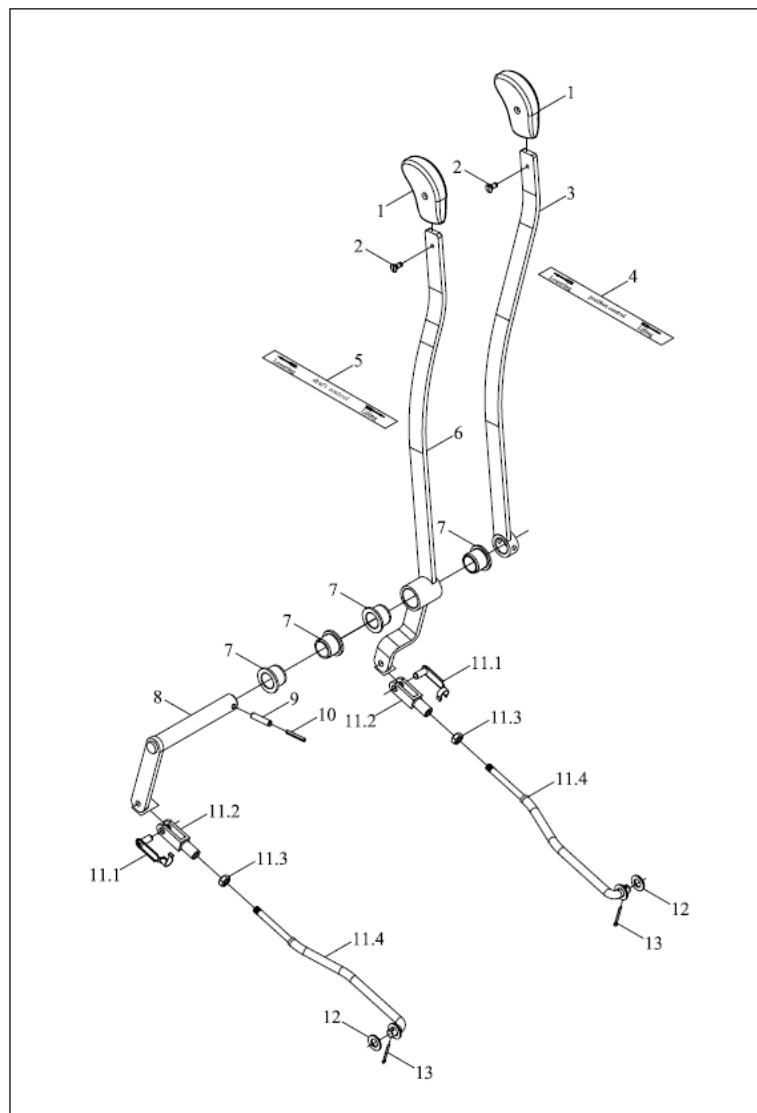
TB504.551B 提升器装配总成-1



TB504.551B-1 55.1-提升器装配总成-1(续)

标号 No.	代号 Code	名称 Description		数量 Quantity	备注 Remark
19	TB504.551B-02	呼吸器连接胶管	BREATHER CONNECTING RUBBER HOSE	1	2011-11_
3	GBT93-8-AOP	弹簧垫圈	SPRING WASHER	4	2011-11_
4	GBT3452.1-28X1.8G	液压气动用O形橡胶密封圈	O-SEAL RING	1	2011-11_
5	TB504.551B.3	油尺组合件	OIL DIPSTICK UNIT	1	2011-11_
6	TB504.551B-01	螺栓	BOLT	1	2011-11_
7	GBT93-12-AOP	垫圈	WASHER	9	2011-11_
8	FT500A.55.104	螺栓	BOLT	3	2011-11_
9	FT300.55B.121a	输油管螺母	OIL CONVEYING PIPE NUT	1	2011-11_

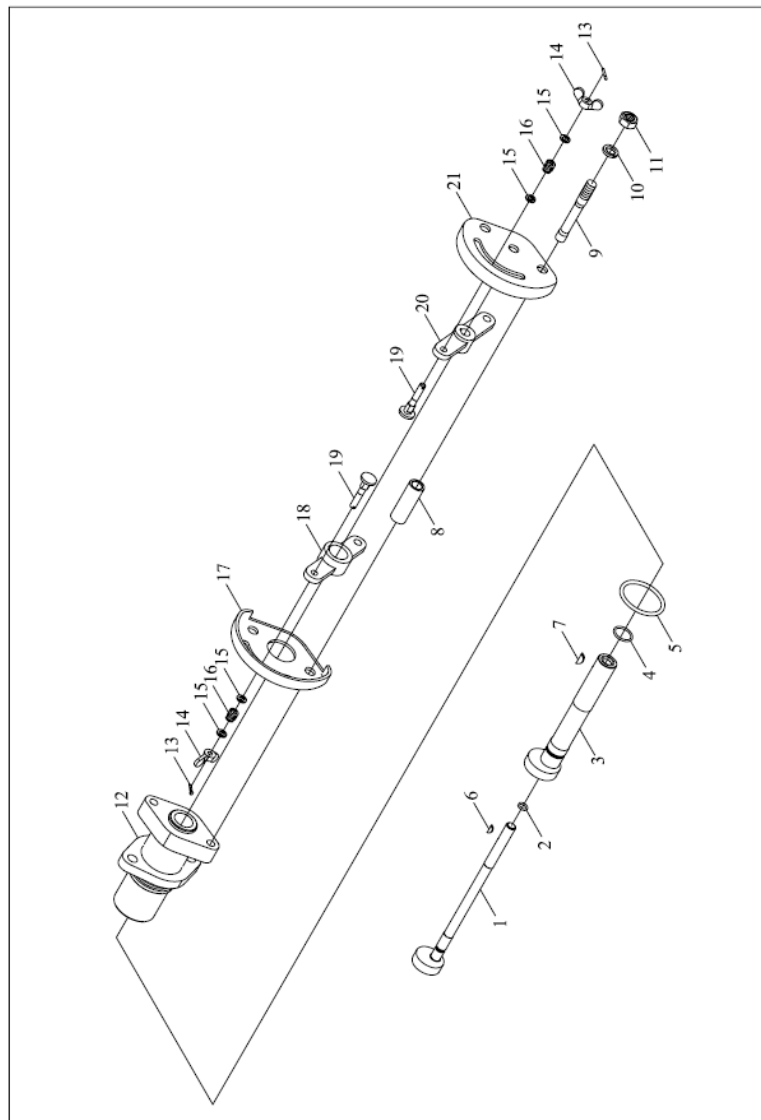
TB504.552B 提升器操纵机构总成



TB504.552B 55.2-提升器操纵机构总成 55.2-LIFTER CONTROL MECHANISM ASSEMBLY

标号 No.	代号 Code	名称 Description		数量 Quantity	备注 Remark
1	TB504.552-04	手柄头总成	HANDLE HEAD ASSEMBLY	2	2011-11_
10	GBT879.1-3X24	弹性圆柱销	PIN	1	2004-01_
11	TB504.552B.5	拉杆焊合	WELDED PUSHING ROD	2	2011-11_
11.1	TB504.552.3.1	连接销总成	CONNECTING PIN ASSEMBLY	1	2011-11_
11.2	TB504.552.3-02	连接叉	CONNECTING ROD FORK	1	2011-11_
11.3	GBT6170-M6-A2L	螺母	NUT	1	2011-11_
11.4	TB504.552B.5.1	拉杆焊合	WELDED PUSHING ROD	1	2011-11_
11.4	TB504.552B.5.1	拉杆焊合	WELDED PUSHING ROD	1	2011-11_
12	GBT97.1-8-A0P	平垫圈	WASHER	2	2011-11_
13	GBT91-2X20-A0P	开口销	PIN	2	2011-11_
2	GBT68-M4X10-A2L	开槽双头螺钉		2	2011-11_
3	TB504.552B.4	位操纵手柄焊合	POSITION CONTROL HANDLE WELDMENT	1	2011-11_
4	TB504.552A-05	位调节标识	POSITION ADJUSTING SIGN	1	2011-11_
5	TB504.552A-04	力调节标识	FORCE ADJUSTING SIGN	1	2011-11_
6	TB504.552B.3	力操纵手柄焊合	FORCE CONTROL HANDLE WELDMENT	1	2011-11_
7	TB504.552B-01	尼龙套1	NYLON SLEEVE 1	4	2011-11_
8	TB504.552B.1	位操纵摇臂焊合	POSITION CONTROL ROCKER WELDMENT	1	2011-11_
9	GBT879.1-5X24	弹性圆柱销	PIN	1	2004-01_

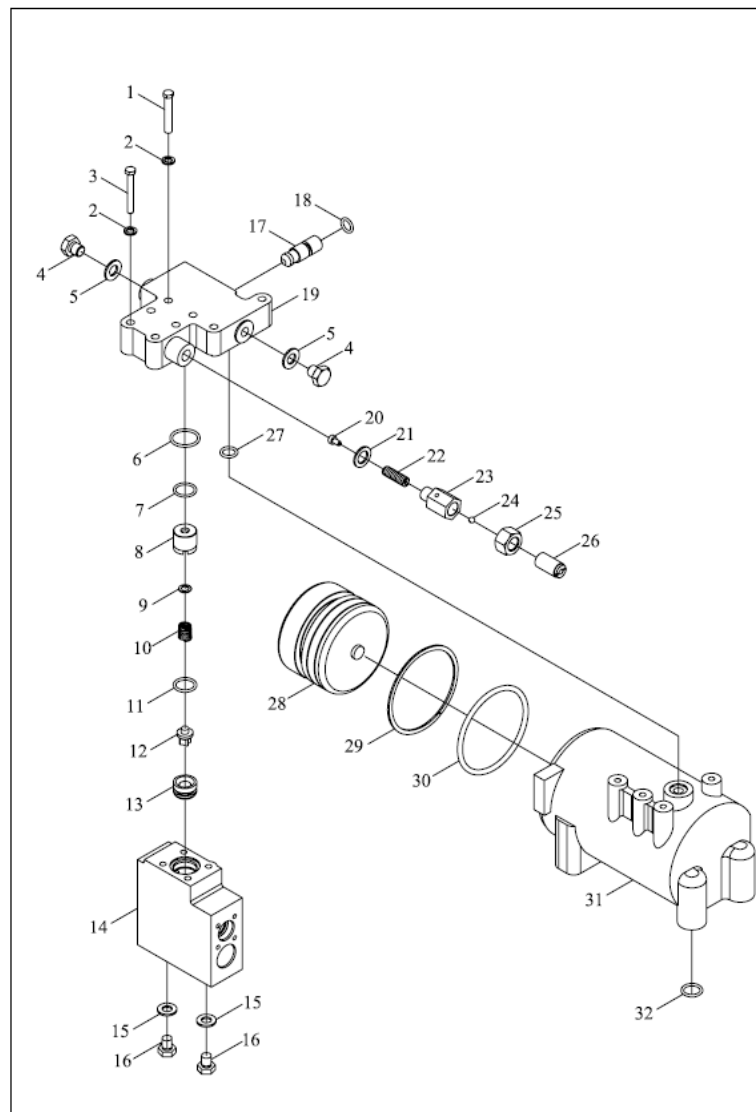
TB504.551B 提升器装配总成-2



TB504.551B-2 55.2-提升器装配总成-2 LIFTER INSTALLATION ASSEMBLY-7-2

标号 No.	代号 Code	名称 Description		数量 Quantity	备注 Remark
.2	TB504.551B.1	提升器总成	LIFTER ASSEMBLY	1	2011-11_
.3	TB504.551B.1.1	分配器操纵机构总成	DISTRIBUTOR CONTROL MECHANISM ASSEMBLY	1	2011-11_
1	TB504.551.1.1.4	力调节偏心轮焊接总成	FORCE ADJUSTING ECCENTRIC WHEEL	1	2011-11_
10	GBT93-10-A0P	标准型弹簧垫圈	WELDMENT ASSEMBLY	2	2011-11_
11	GBT6170-M10-A3L	螺母	WASHER NUT	2	2011-11_
12	TB504.551.1.1-01	支座		1	2011-11_
13	GBT91-2X12	开口销	RETAINER	2	2011-11_
14	GBT62-M6-A2L	蝶形螺母	PIN	2	2011-11_
15	GBT96-6	大垫圈	BUTTERFLY NUT	4	2011-11_
16	25.55.131	手柄压紧弹簧	WASHER HANDLE PRESSING SPRING	2	2011-11_
17	TB504.551B.1.1-02	位调节扇形板		1	2011-11_
18	TB504.551.1.1.1	位调节摇臂焊合	POSITION ADJUSTING SECTOR PLATE	1	2011-11_
19	FT65.57.103	手柄压紧螺钉	POSITION ADJUSTING ROCKER WELDMENT	2	2011-11_
2	GBT93-M12-A0P	垫圈	HANDLE PRESSING SCREW	13	2004-01_
20	TB504.551.1.1.2	力调节摇臂焊合	WASHER FORCE ADJUSTING ROCKER WELDMENT	1	2011-11_
21	TB504.551B.1.1-01	力调节扇形板		1	2011-11_
3	TB504.551.1.1.3	位调节偏心轮焊接总成	FORCE ADJUSTING SECTOR PLATE	1	2011-11_
4	GBT3452.1-17.0X1.80G	液压气动用O形橡胶密封圈	POSITION ADJUSTING ECCENTRIC WHEEL	1	2011-11_
5	GBT3452.1-41.2X3.55G	液压气动用O形橡胶密封圈	WELDMENT ASSEMBLY	1	2011-11_
6	GBT1099.1-2.5X3.7X10	半圆键	O-SEAL RING O-SEAL RING	1	2011-11_
7	GBT1099.1-3X5X13	半圆键	SEMICIRCLE KEY	1	2011-11_
8	TB504.551.1.1-04	隔套		2	2011-11_
9	GBT898-M10X65-A2L	双头螺柱	SEMICIRCLE KEY	2	2011-11_
9	GBT898-M10X65-A2L	双头螺柱	SPACER BUSH 8.8-A3L STUD	2	2011-11_

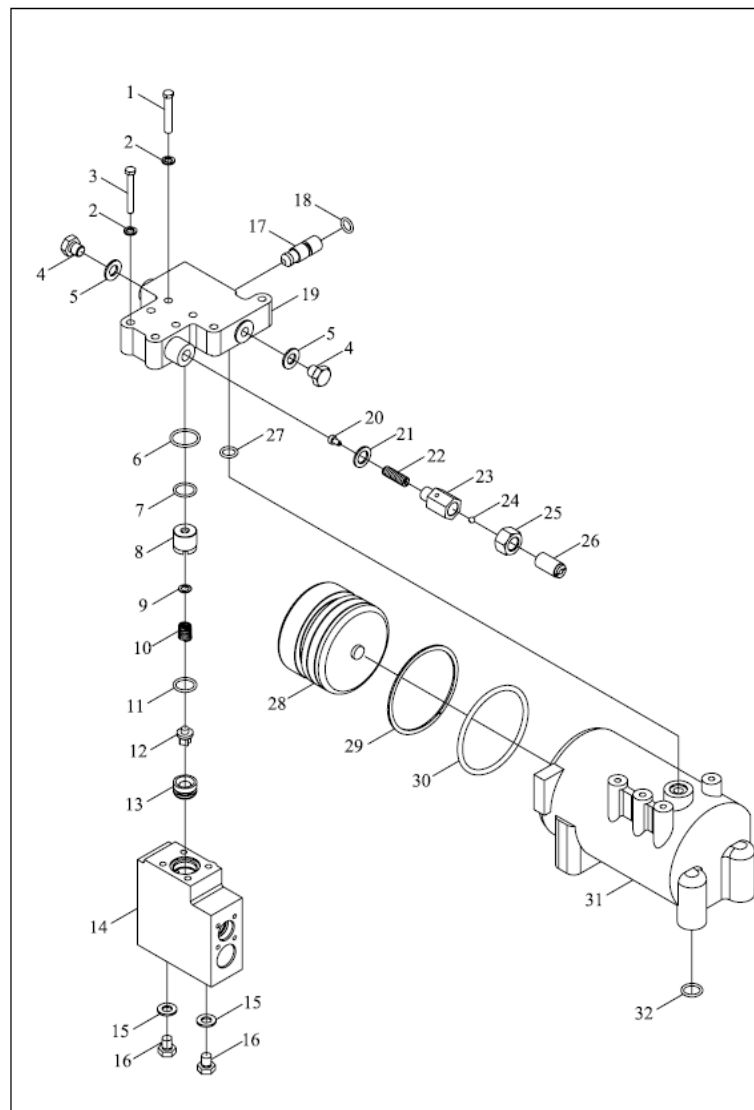
TB504.551B 提升器装配总成-3



TB504.551B-3 55.3-提升器装配总成-3 LIFTER INSTALLATION ASSEMBLY-7-3

标号 No.	代号 Code	名称 Description		数量 Quantity	备注 Remark
1	GBT5782-M8X45	六角头螺栓	BOLT	4	2011-11_
10	T30.57.144B	单向阀弹簧	ONE-WAY VALVE SPRING	1	2011-11_
11	GBT3452.1-19X2.65	液压气动用O形橡胶密封圈	O-SEAL RING	1	2011-11_
12	T30.57.142B	单向阀体	ONE-WAY VALVE BODY	1	2011-11_
13	T30.57.143B	单向阀座	ONE-WAY VALVE SEAT	1	2011-11_
14	KM550.55.120E	分配器壳体	DISTRIBUTOR HOUSING	1	2011-11_
15	JBT982-10	组合密封垫圈	COMBINED SEAL GASKET	2	2011-11_
15	JBT982-10	组合密封垫圈	COMBINED SEAL GASKET	2	2011-11_
16	JBT1000-M10X1	六角螺塞	HEXAGON SCREW PLUG	2	2011-11_
17	FT500B.55.246	截断阀	INTERCEPTING VALVE	1	2011-11_
18	GBT3452.1-11.8X2.65	O形密封圈	O RING	1	2011-11_
18	GBT3452.1-11.8X2.65	液压气动用O形橡胶密封圈	O-SEAL RING	1	2011-11_
19	FT500B.55.107	分配器支座	DISTRIBUTOR SUPPORT SEAT	1	2011-11_
2	GBT93-8	垫圈8	WASHER 8	8	2011-11_
20	TS300B.55.211	安全阀弹簧座	SPRING SEAT OF SAFETY VALVE	1	2011-11_
21	TS300B.55.210	铝垫片	ALUMINUM GASKET	1	2011-11_
22	12.55.218	安全阀弹簧	SAFETY VALVE SPRING	1	2011-11_
23	TS300B.55.209	安全阀体	SAFETY VALVE BODY	1	2011-11_
24	25.55.176	回油阀后堵塞	OIL RETURN VALVE REAR PLUG	1	2004-01_
25	GBT6173-M16X1.5	六角螺母	HEXAGON NUT	1	2011-11_
26	TS300B.55.251	调压螺柱	SCREW	1	2011-11_
27	GBT3452.1-13.2X2.65	液压气动用O形橡胶密封圈	O-SEAL RING	1	2011-11_
28	KM550.55.023	活塞总成	PISTON	1	2011-11_
29	520.55.143	挡圈	RETAINER RING	1	2011-11_
3	GBT5782-M8X50	六角头螺栓	BOLT	4	2011-11_

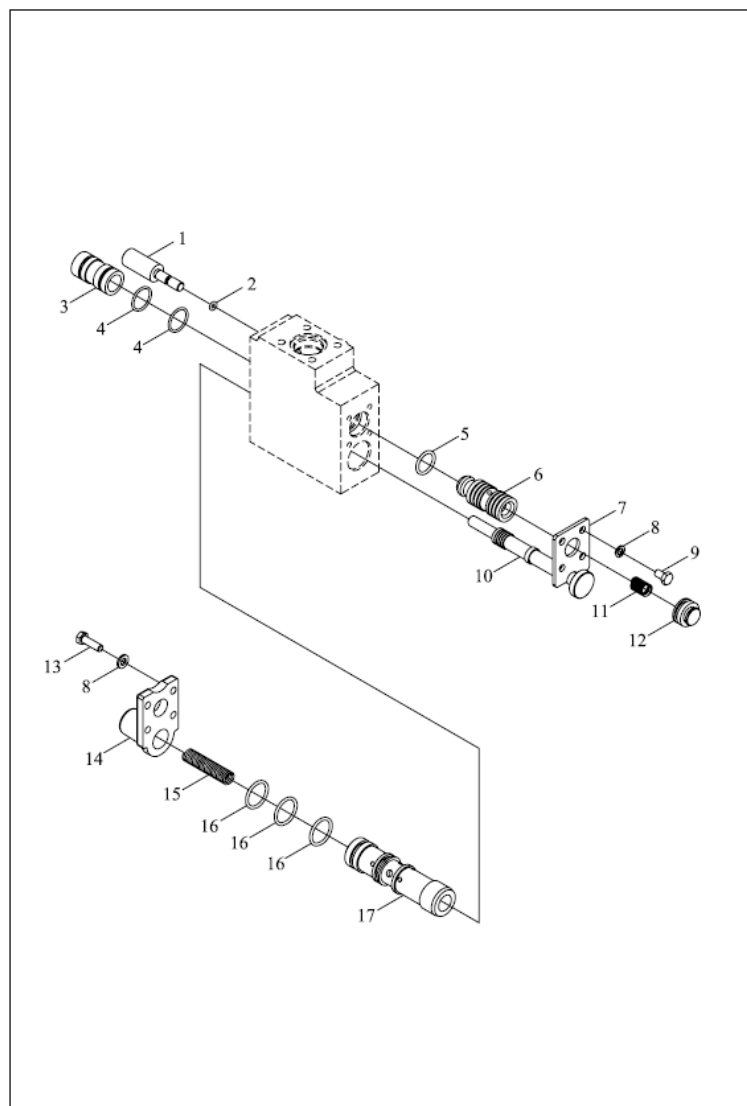
TB504.551B 提升器装配总成-3



TB504.551B-3 55.3-提升器装配总成-3(续)

标号 No.	代号 Code	名称 Description		数量 Quantity	备注 Remark
30	GBT3452.1-90X5.3	液压气动用O形橡胶密封圈	O-SEAL RING	1	2011-11_
31	FT500B.55.106	油缸体	OIL CYLINDER BODY	1	2011-11_
32	GBT3452.1-17X2.65	O型圈	O-RING	4	2011-11_
4	JBT1000-M12X1.5	六角螺塞	HEXAGON SCREW PLUG	2	2011-11_
5	JBT982-12	组合密封垫圈	COMBINED SEAL GASKET	2	2011-11_
6	GBT3452.1-25.7X2.65	液压气动用O形橡胶密封圈	O-SEAL RING	1	2011-11_
6	GBT3452.1-25.7X2.65	液压气动用O形橡胶密封圈	O-SEAL RING	1	2011-11_
7	GBT1235-24X2.4	O形圈	O-RING	1	2011-11_
8	YT300A.55.124	单向阀套	ONE-WAY VALVE SLEEVE	1	2011-11_
9	T30.57.164	单向阀体垫	ONE-WAY VALVE BODY GASKET	1	2011-11_

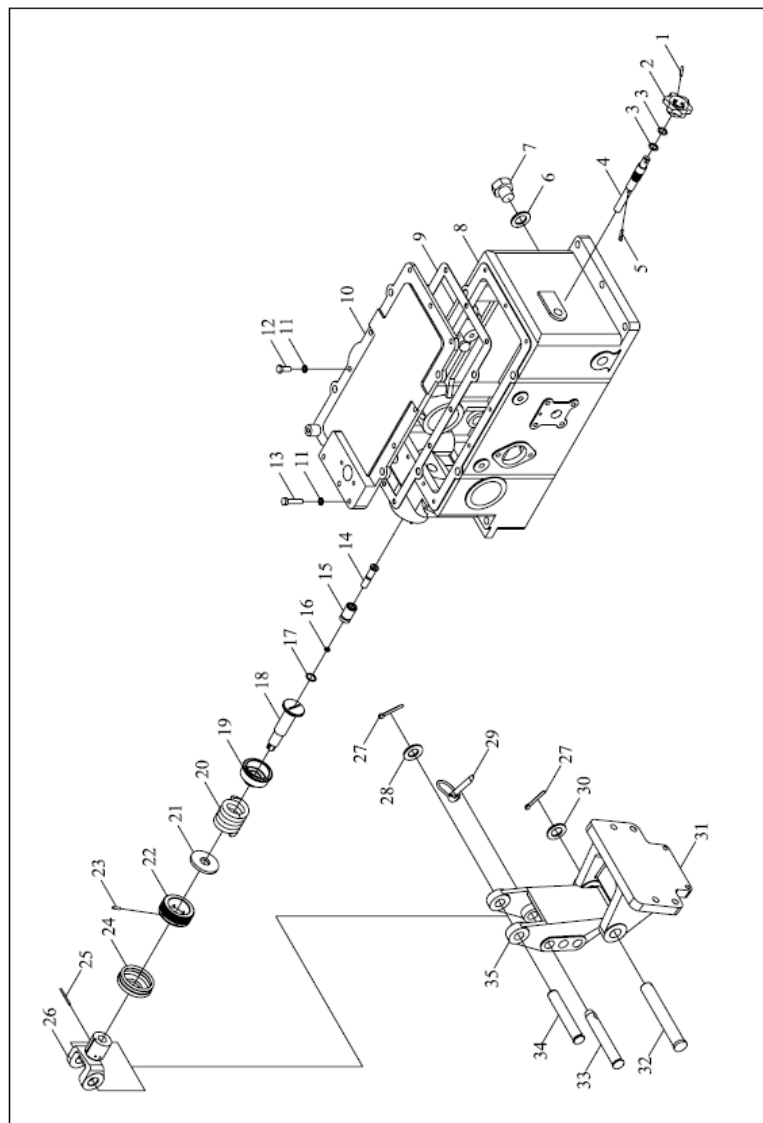
TB504.551B 提升器装配总成-4



TB504.551B-4 55.4-提升器装配总成-4 LIFTER INSTALLATION ASSEMBLY-4

标号 No.	代号 Code	名称 Description		数量 Quantity	备注 Remark
.2	TB504.551B.1	提升器总成	LIFTER ASSEMBLY	1	2011-11_
1	TS300B.55.187	调节阀	ADJUSTING VALVE	1	2011-11_
10	TS300.55.172	主控制阀	MAIN CONTROL VALVE	1	2011-11_
11	25.55.184	回油阀弹簧	SPRING	1	2011-11_
12	25.55.176	回油阀后堵塞	OIL RETURN VALVE REAR PLUG	1	2011-11_
13	GBT5783-M6X20	螺栓	BOLT	4	2011-11_
14	KR130.55.183	阀门前盖	VALVE FRONT COVER	1	2011-11_
16	GBT1235-26X2.4	O形圈	O-RING	3	2011-11_
17	TS300.55.217	主控制阀套	MAIN CONTROL VALVE SLEEVE	1	2011-11_
2	GBT1235-8X1.9	O形圈	O-RING	1	2011-11_
3	KR130.55.105	密封套	SEAL SLEEVE	1	2011-11_
4	GBT3452.1-19X1.8	液压气动用O形橡胶密封圈	O-SEAL RING	2	2011-11_
5	GBT1235-22X2.4	O形圈	O-RING	1	2011-11_
6	KR130.55.103	回油阀体	OIL RETURN VALVE BODY	1	2011-11_
7	25.55.180	限位板	LIMIT PLATE	1	2011-11_
8	GBT93-6	垫圈	WASHER	8	2011-11_
9	GBT5783-M6X10	六角头螺栓	BOLT	4	2011-11_

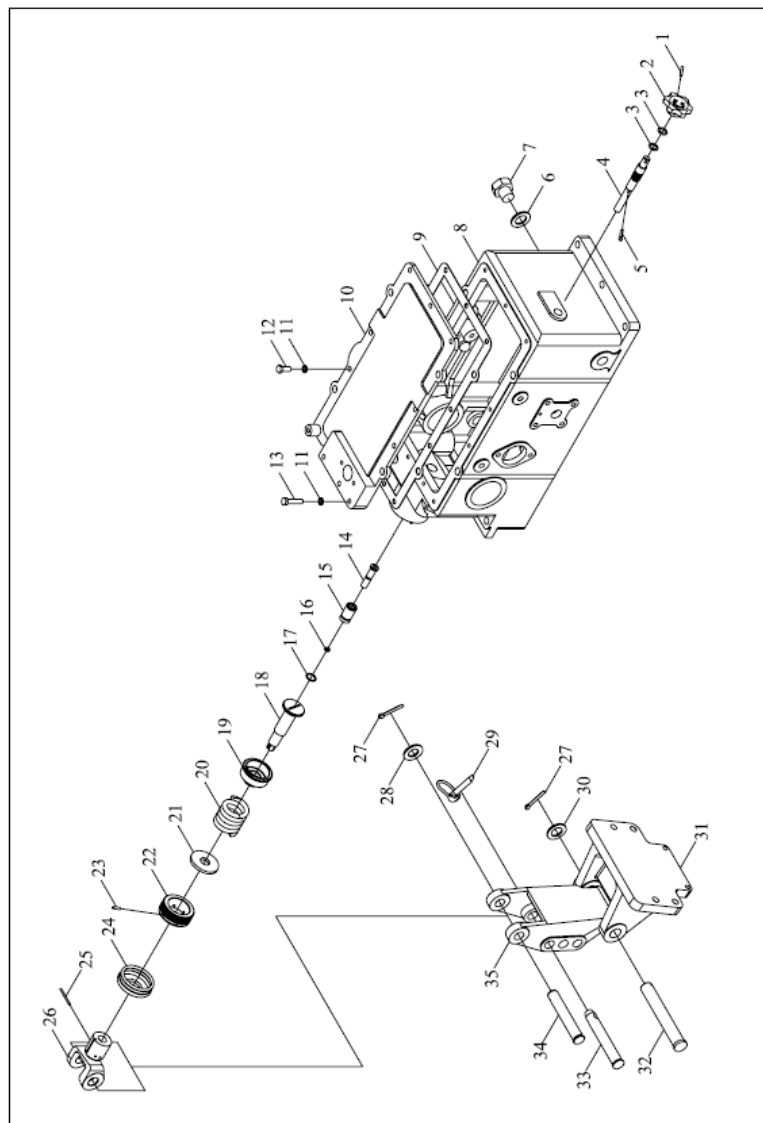
TB504.551B 提升器装配总成-5



TB504.551B-5 55.5-提升器装配总成-5 LIFTER INSTALLATION ASSEMBLY-5

标号 No.	代号 Code	名称 Description		数量 Quantity	备注 Remark
.2	TB504.551B.1	提升器总成	LIFTER ASSEMBLY	1	2011-11_
1	GBT879-4X20	销	PIN	1	2011-11_
10	TB504.551.1-02	提升器上盖	LIFTER UPPER COVER	1	2011-11_
11	GBT93-8	垫圈8	WASHER 8	11	2011-11_
12	GBT5781-M8X20	六角头螺栓全螺纹C级		7	2011-11_
13	GBT5781-M8X35	六角头螺栓全螺纹C级		4	2011-11_
14	25.55.146L	推杆套	PUSH ROD SLEEVE	1	2011-11_
15	25.55.145L	力调节密封套	FORCE ADJUSTING SEAL SLEEVE	1	2011-11_
16	GBT1235-11X1.9	O形圈	O-RING	1	2011-11_
17	GBT3452.1-16X1.8	液压气动用O形橡胶密封圈	O-SEAL RING	1	2011-11_
18	25.55.158	弹簧杆	SPRING ROD	1	2011-11_
19	25.55.159	弹簧座	SPRING SEAT	1	2011-11_
2	E300.55.140A	速度下降阀手轮	SPEED DROP VALVE HAND WHEEL	1	2011-11_
2	E300.55.140A	速度下降阀手轮	SPEED DROP VALVE HAND WHEEL	1	2011-11_
20	25.55.157	力调节弹簧	FORCE ADJUSTING SPRING	1	2011-11_
21	25.55.160	弹簧压板	SPRING PRESSURE PLATE	1	2011-11_
22	25.55.161	螺母	NUT	1	2011-11_
23	GBT119-C4X14	圆柱销	PIN	1	2011-11_
24	25.55.162	防尘罩	DUSTPROOF COVER	1	2011-11_
25	GBT119-B3X40	圆柱销	PIN	1	2011-11_
26	YT300A.55.121	上拉杆连接头	UPPER PULL ROD CONNECTING JOINT	1	2011-11_
27	GBT91-5X36	销	PIN	2	2011-11_
28	GBT97.1-22	垫圈	WASHER	1	2011-11_
29	25.56.030	锁销及锁销环总成	LOCKING PIN AND RING ASSEMBLY	1	2011-11_
3	GBT3452.1-11.2X2.65	液压气动用O形橡胶密封圈	O-SEAL RING	2	2011-11_

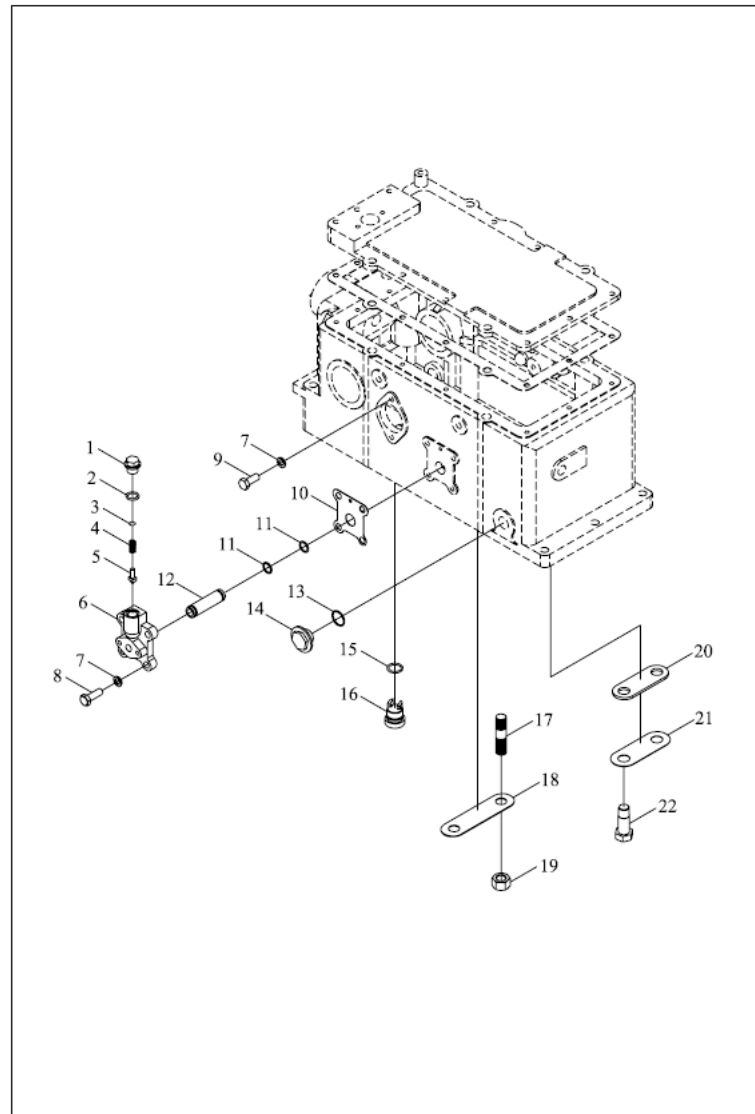
TB504.551B 提升器装配总成-5



TB504.551B-5 55.5-提升器装配总成-5(续)

标号 No.	代号 Code	名称 Description		数量 Quantity	备注 Remark
30	GBT97.1-20	垫圈	WASHER	1	2011-11_
31	FT500A.55.128	上挂接点摇臂支座	UPPER SUSPENSION POINT ROCKER SEAT	1	2011-11_
32	450.55.167	摇臂连接销	ROCKER CONNECTING PIN	1	2011-11_
33	FT500A.55B.182	摇臂前连接销	ROCKER FRONT CONNECTING PIN	1	2011-11_
34	FT500A.55.106	摇臂上连接销	ROCKER UPPER CONNECTING PIN	1	2011-11_
35	FT500B.55.130A	上挂接点摇臂	UPPER JOINT ROCKER ARM	1	2011-11_
4	YT300A.55.116	下降速度调节杆	LOW SPEED CONTROL LEVER	1	2011-11_
5	GBT91-4X20	销	PIN	1	2011-11_
6	JBT982-22	组合密封垫圈	COMBINED SEAL GASKET	1	2011-11_
7	GBT5786-M22X1.5X20	六角头螺栓	BOLT	1	2011-11_
8	TB504.551B.1-01	提升器壳体	LIFTER HOUSING	1	2011-11_
9	FT500A.55.103	上盖纸垫	UPPER COVER PAPER GASKET	1	2011-11_

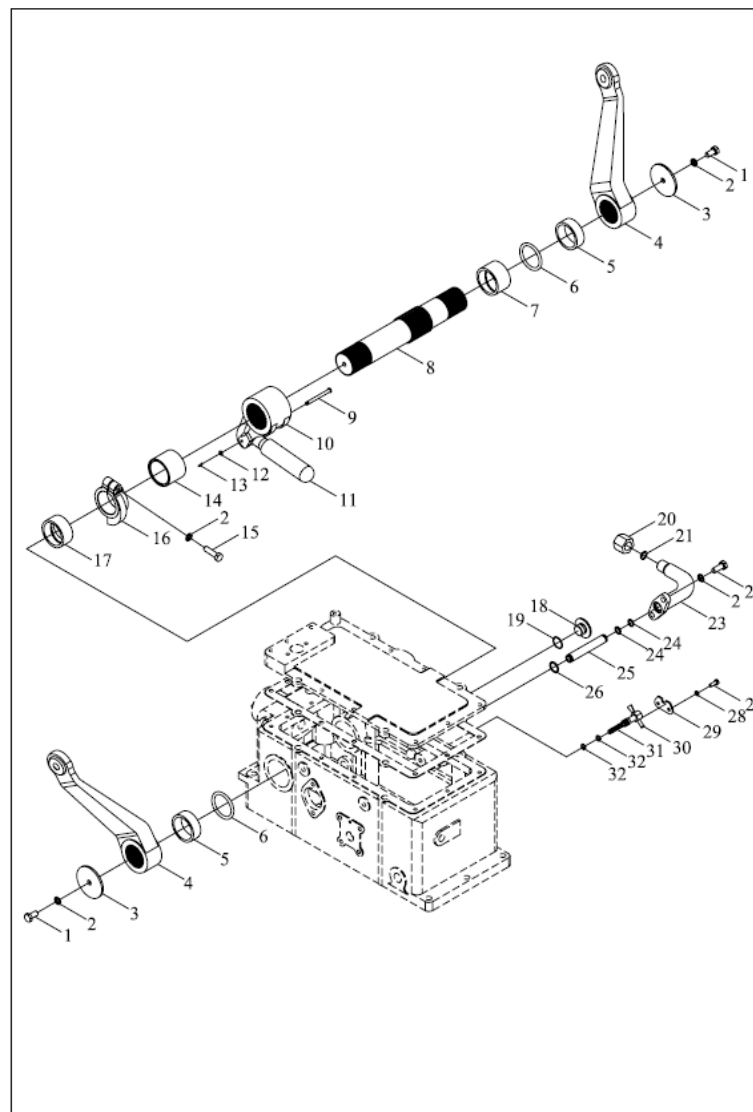
TB504.551B 提升器装配总成-6



TB504.551B-6 55.6-提升器装配总成-6 LIFT ASSEMBLY-6

标号 No.	代号 Code	名称 Description		数量 Quantity	备注 Remark
0	TB504.551B.1	提升器总成	LIFTER ASSEMBLY	1	2011-11_
1	300.55.130	堵塞	PLUG	1	2011-11_
10	FT500B.55.102	进油连接板纸垫	OIL INLET CONNECTING PLATE PAPER GASKET	1	2011-11_
11	GBT3452.1-15X1.8	液压气动用O形橡胶密封圈	O-SEAL RING	2	2011-11_
12	FT500B.55.103	进油管	OIL INLET PIPE	1	2011-11_
13	GBT3452.1-22.4X1.8	O型圈	O-RING	1	2011-11_
14	FT500B.55.197	堵塞	PLUG	1	2011-11_
15	GBT1235-24X2.4	O形圈	O-RING	1	2011-11_
16	TS300B.55.110	弹簧挂钩	SPRING HOOK	1	2011-11_
17	GBT898-AM16X40	螺柱	STUD	2	2011-11_
18	FT500B.55.118	锁片	LOCK SHIM	1	2011-11_
19	GBT6170-M16	螺母	NUT	2	2011-11_
2	GBT3452.1-15X2.65	液压气动用O形橡胶密封圈	O-SEAL RING	1	2011-11_
20	FT500B.55.120	垫片	WASHER	1	2011-11_
21	FT500B.55.121	锁片	LOCK SHIM	1	2011-11_
22	FT500B.55.125	油缸螺栓	OIL CYLINDER BOLT	2	2011-11_
3	300.55.131-132	调整垫片	ADJUSTING WASHER	999	2011-11_
4	300.55.133	油缸安全阀弹簧	SAFTY VALVE SPRING OF OIL CYLINDER	1	2011-11_
5	300.55.134	油缸安全阀体	SAFTY VALVE BODY OF CYLINDER	1	2011-11_
6	FT500B.55.108A	进油连接板	OIL INLET CONNECTING PLATE	1	2011-11_
7	GBT93-10	垫圈10	WASHER 10	6	2011-11_
8	GBT5781-M10X30	六角头螺栓全螺纹C级		4	2011-11_
9	GBT5783-M10X25	螺栓	BOLT	2	2011-11_

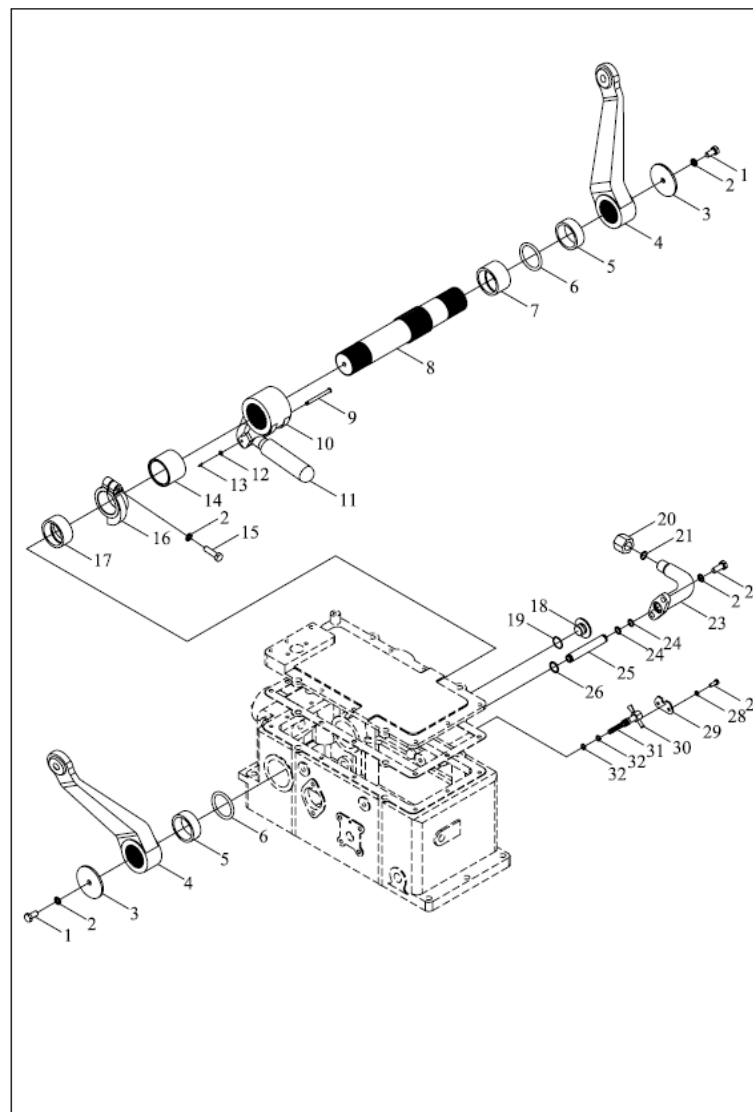
TB504.551B 提升器装配总成-7



TB504.551B-7 55.7-提升器装配总成-7 LIFT ASSEMBLY-7

标号 No.	代号 Code	名称 Description	数量 Quantity	备注 Remark
0	TB504.551B.1	提升器总成	1	2011-11_
1	GBT5781-M10X20	六角头螺栓全螺纹C级	2	2011-11_
1	GBT5781-M10X20	六角头螺栓	2	2011-11_
10	FT500B.55.113E	内提升臂	1	2011-11_
11	FT500B.55.114D	活塞顶杆	1	2011-11_
12	GBT97.1-5	平垫圈	1	2011-11_
13	GBT91-2X12	开口销	1	2011-11_
14	KM550.55.105-1	轴套	1	2011-11_
15	GBT5783-M10X35	六角头螺栓	1	2011-11_
16	KM550.55.109	凸轮	1	2011-11_
17	FT500B.55.104B	轴套	1	2011-11_
18	FT500B.55.197	堵塞	1	2011-11_
19	GBT3452.1-22.4X1.8	O型圈	1	2011-11_
2	GBT93-10	垫圈10	5	2011-11_
20	FT300.55B.121a	输油管螺母	1	2011-11_
21	GBT3452.1-12.5X2.65G	液压气动用O形橡胶密封圈	1	2011-11_
22	GBT5783-M10X25	螺栓	2	2011-11_
23	TB504.551B.1-02	液压输出管接头	1	2011-11_
24	GBT1235-16X2.4	O形圈	2	2011-11_
25	FT500B.55.105	出油管	1	2011-11_
26	GBT1235-24X2.4	O形圈	1	2011-11_
27	GBT5781-M6X16	六角头螺栓全螺纹C级	2	2011-11_
28	GBT93-6	垫圈	2	2011-11_
29	YT300A.55.122	截断阀限位板	1	2011-11_
3	FT500B.55.127	提升臂压板	2	2011-11_

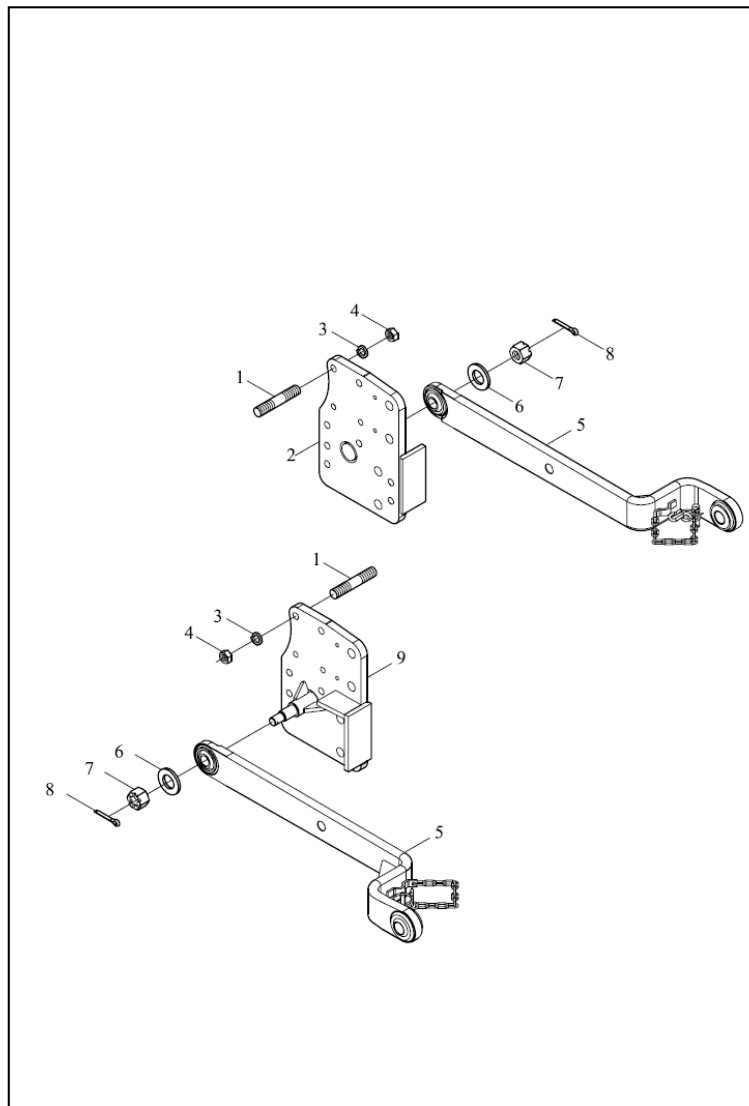
TB504.551B 提升器装配总成-7



TB504.551B-7 55.7-提升器装配总成-7(续)

标号 No.	代号 Code	名称 Description		数量 Quantity	备注 Remark
30	BY350.55.163	调节阀螺杆手柄	ADJUSTING VALVE SOLENOID HANDLE	1	2011-11_
31	FT500B.55.126	截断阀调节杆	INTERCEPTING VALVE ADJUSTING ROD	1	2011-11_
32	GBT1235-13X1.9	O形圈	O-RING	2	2011-11_
4	TB504.551B.1.2	提升臂总成	LIFTING ARM ASSEMBLY	2	2011-11_
5	FT500B.55.115A	提升轴套B	LIFTING SHAFT SLEEVE B	2	2011-11_
6	GBT1235-60X5.7	O形圈	O-RING	2	2011-11_
7	FT500B.55.122A	轴套	SHAFT SLEEVE	1	2011-11_
8	FT500A.55.110	提升轴	LIFTING SHAFT	1	2011-11_
9	GBT882-B5X65	销轴	PIN	1	2011-11_

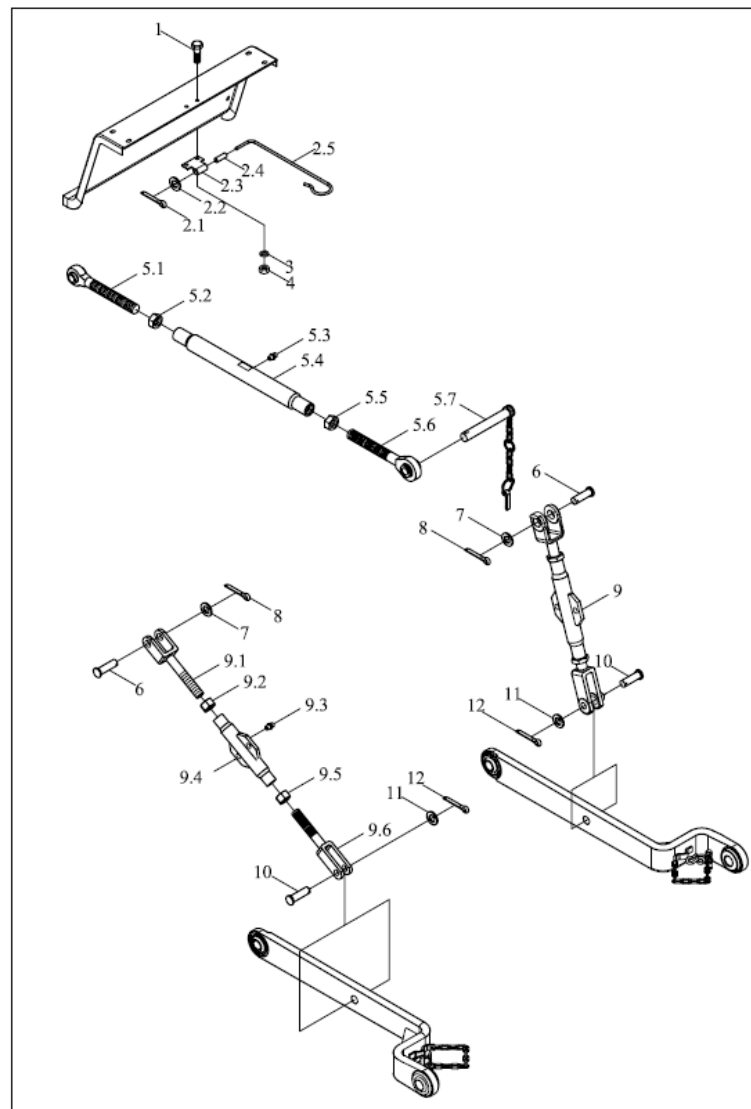
TB500.56B 悬挂机构总成-1



TB500.56B-1 56.1-悬挂机构总成-1 SUSPENSION MECHANISM ASSEMBLY-1

标号 No.	代号 Code	名称 Description		数量 Quantity	备注 Remark
1	GBT899-AM16-M16X1.5X45-A3L	双头螺柱	8.8-A3L STUD	8	2011-11_
2	TB500.56B.4	右下拉杆支座焊合件	RIGHT LOWER PULL ROD SEAT WELDMENT	1	2011-11_
3	GBT93-16-A0P	弹簧垫圈	SPRING WASHER	8	2011-11_
4	GBT6171-M16X1.5-A3L	1型六角螺母	NUT	8	2011-11_
5	TB500.56B.5	下拉杆总成	LOWER PULL ROD ASSEMBLY	2	2011-11_
6	GBT97.1-20-A0P	垫圈	WASHER	2	2011-11_
6	GBT97.1-20-A0P	垫圈	WASHER	2	2011-11_
7	GBT6178-M20-A9L	开槽螺母	SLOTTED NUT	2	2011-11_
8	GBT91-4X36-A0P	开口销	PIN	2	2011-11_
9	TB500.56B.3	左下拉杆支座焊合件	LEFT LOWER PULL ROD SEAT WELDMENT	1	2011-11_

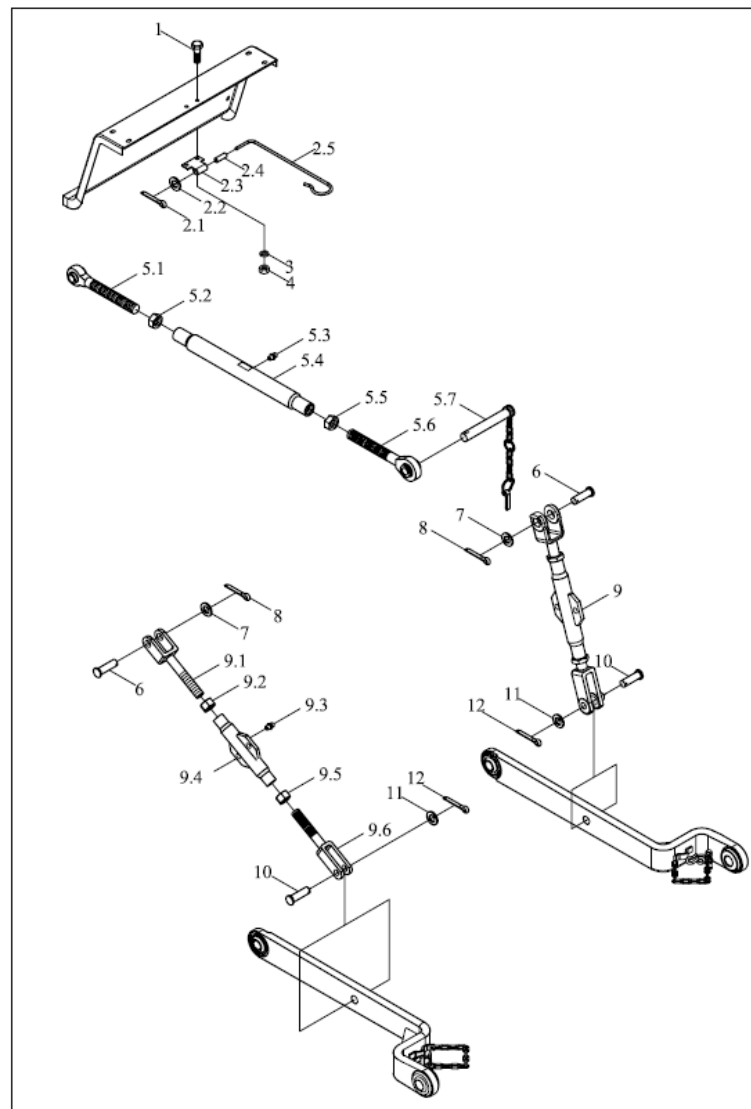
TB500.56B 悬挂机构总成-2



TB500.56B-2 56.2-悬挂机构总成-2 SUSPENSION MECHANISM ASSEMBLY-2

标号 No.	代号 Code	名称 Description		数量 Quantity	备注 Remark
1	GBT5783-M8X16-8.8-A2L	六角头螺栓	BOLT	2	2011-11_
10	FT300.56A.112	提升杆下联接销	LIFTING ROD LOWER CONNECTING PIN	2	2011-11_
11	GBT97.1-24-A0P	垫圈	WASHER	2	2011-11_
11	GBT97.1-24-A0P	垫圈	WASHER	2	2011-11_
12	GBT91-5X32-A0P	开口销	PIN	2	2011-11_
2	TB500.56B.6	上拉杆固定卡组合	UPPER PULL ROD FIXED CLIP COMBINATION	1	2011-11_
2.1	GBT91-2X14-A0P	开口销	PIN	1	2011-11_
2.2	GBT96.1-6-A0P	垫圈	WASHER	1	2011-11_
2.3	TE300.56.6-01	固定座	FIXING SEAT	1	2011-11_
2.4	TE300.56.6-03	尼龙衬套	NYLON BUSH	1	2011-11_
2.5	TB500.56B.6-01	上拉杆固定挂钩	FIXED POTHOOK OF UPPER LINK	1	2011-11_
3	GBT93-8-A0P	垫圈	WASHER	2	2011-11_
4	GBT6170-M8-A2L	螺母	NUT	2	2011-11_
5	FT500A.56.011a	上拉杆总成	UPPER PULL ROD ASSEMBLY	1	2011-11_
5.1	FT500A.56.026	上拉杆前调节杆总成	UPPER PULL ROD FRONT ADJUSTING ROD ASSEMBLY	1	2011-11_
5.2	GBT6173-M27X2-A3L	六角薄螺母		1	2011-11_
5.3	JBT7940.1-M6	直通式压注油杯	NUT	1	2011-11_
5.4	FT500A.56.130	调节螺管	STRAIGHT PRESSURE FILLING OIL CUP	1	2011-11_
5.5	GBT6173-M27X2-LH-A3L	六角薄螺母	ADJUSTING SOLENOID	1	2011-11_
5.6	FT500A.56.024	上拉杆后调节杆总成	NUT UPPER PULL ROD REAR ADJUSTING ROD ASSEMBLY	1	2011-11_
5.7	FT65.56.015	上拉杆锁销总成	ASSEMBLY	1	2011-11_
6	FT500A.56.101	提升杆上联连接销		2	2011-11_
7	FT500A.56.118	垫圈	UPPER PULL ROD LOCK PIN ASSEMBLY	2	2011-11_
8	GBT91-5X40-A0P	开口销	LIFTING ROD UPPER CONNECTING PIN	2	2011-11_
9	FT500A.56.013	提升杆总成	WASHER	2	2011-11_

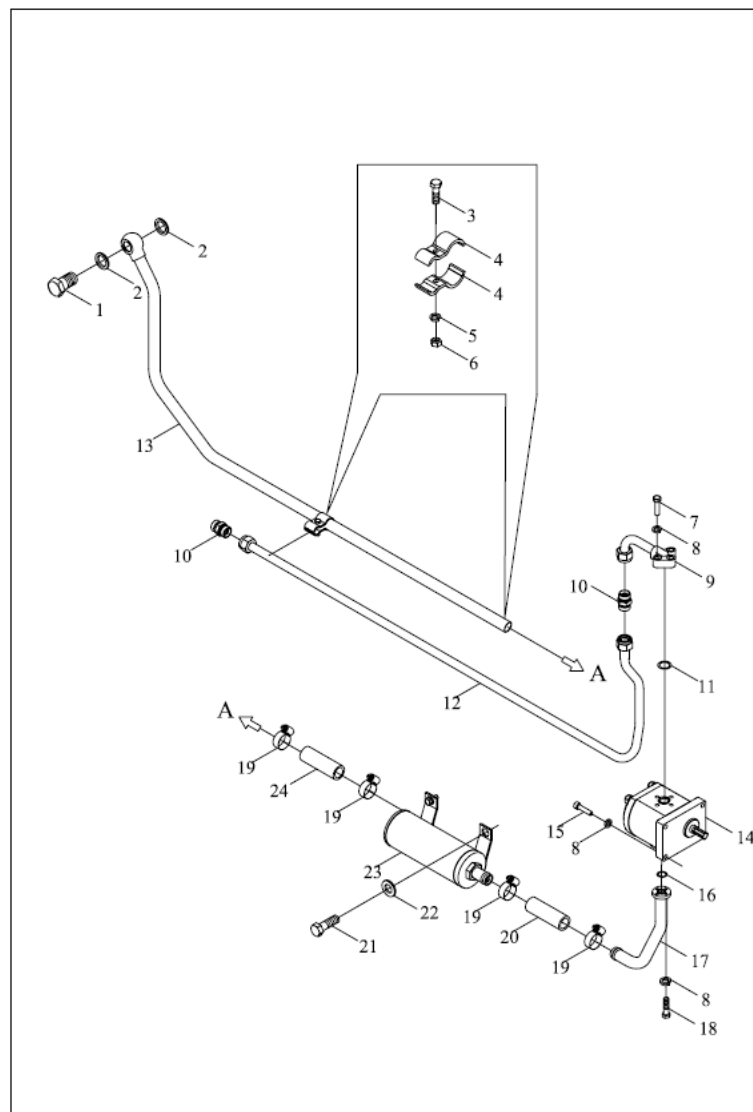
TB500.56B 悬挂机构总成-2



TB500.56B-2 56.2-悬挂机构总成-2(续)

标号 No.	代号 Code	名称 Description		数量 Quantity	备注 Remark
9.1	FT500A.56.107	提升杆上联接叉	LIFTING ROD UPPER CONNECTING FORK	1	2011-11_
9.2	GBT6171-M27X2-Zn.D	1型六角螺母	NUT	1	2011-11_
9.3	JBT7940.1-M6	直通式压注油杯	STRAIGHT PRESSURE FILLING OIL CUP	1	2011-11_
9.4	FT500A.56.033	提升杆螺管焊合	LIFTING ROD SOLENOID WELDMENT	1	2011-11_
9.6	FT500A.56.108	提升杆下联接叉	LIFTING ROD LOWER CONNECTING FORK	1	2011-11_
9.6	FT500A.56.108	提升杆下联接叉	LIFTING ROD LOWER CONNECTING FORK	1	2011-11_

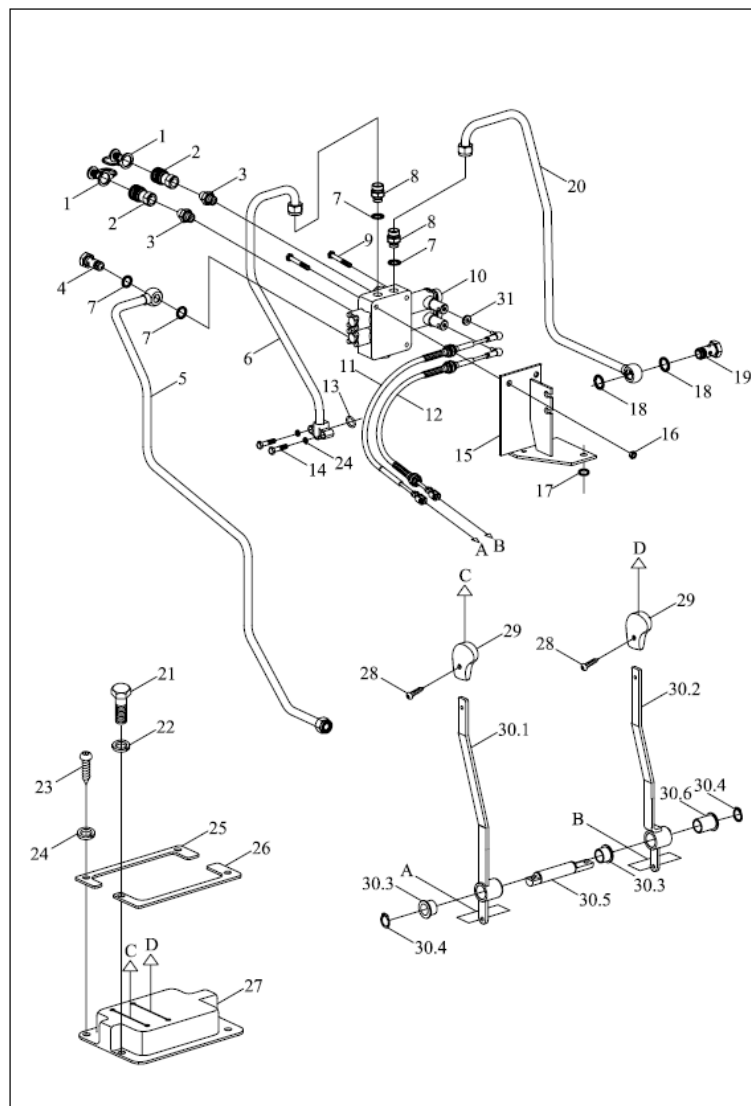
TB504.581B 油泵油管滤油器总成



TB504.581B 58.1-油泵油管滤油器总成 58.1-OIL PUMP/PIPE/FILTER ASSEMBLY

标号 No.	代号 Code	名称 Description		数量 Quantity	备注 Remark
1	FT300.58.101	空心螺栓	HOLLOW BOLT	1	2011-11_
10	GBT3737.2-G16	卡套式直通接头体	JOINT	2	2011-11_
10	GBT3737.2-G16	卡套式直通接头体	JOINT	2	2011-11_
11	GBT3452.1-18.0X2.65G	液压气动用O形橡胶密封圈	O-SEAL RING	2	2011-11_
12	TB504.581B.4	压力油管总成2	PRESSURE OIL PIPE ASSEMBLY 2	1	2011-11_
13	TB504.581B.3	吸油管焊合2	OIL SUCTION PIPE WELDMENT 2	1	2011-11_
14	TB504.581B.6	齿轮泵	GEAR PUMP	1	2011-11_
15	GBT70.1-M8X35-A2L	内六角圆柱头螺钉	SCREW	4	2011-11_
16	GBT3452.1-21.2X1.80G	液压气动用O形橡胶密封圈	O-SEAL RING	1	2011-11_
17	TB504.581B.1	吸油管焊合1	OIL SUCTION PIPE WELDMENT 1	1	2011-11_
18	GBT5783-M8X25-A2L	螺栓	BOLT	2	2011-11_
19	Q67632	软管环箍32	HOSE HOOP 32	4	2011-11_
2	JBT982-22	组合密封垫圈	COMBINED SEAL GASKET	2	2011-11_
20	FT300.58A.104	吸油胶管	OIL SUCTION HOSE	1	2011-11_
21	GBT5783-M8X20-A2L	螺栓	BOLT	2	2011-11_
22	GBT95-8-A0P	平垫圈	WASHER	2	2011-11_
23	TB504.581B.5	滤油器总成	OIL FILTER ASSEMBLY	1	2011-11_
24	FT450.58.103	吸油软管	OIL SUCTION HOSE	1	2011-11_
3	GBT5783-M6X30-A2L	螺栓	BOLT	3	2011-11_
4	FT300.58.013	油管夹与胶垫胶合	OIL PIPE CLAMP AND RUBBER WASHER	6	2011-11_
5	GBT93-6-A0P	弹簧垫圈	SPRING WASHER	1	2004-01_
6	GBT6170-M6-A2L	螺母	NUT	2	2011-11_
7	GBT5783-M8X35-A2L	六角头螺栓	BOLT	3	2004-01_
8	GBT93-8-AOP	弹簧垫圈	SPRING WASHER	11	2011-11_
9	TB504.581B.2	压力油管总成1	PRESSURE OIL PIPE ASSEMBLY 1	1	2011-11_

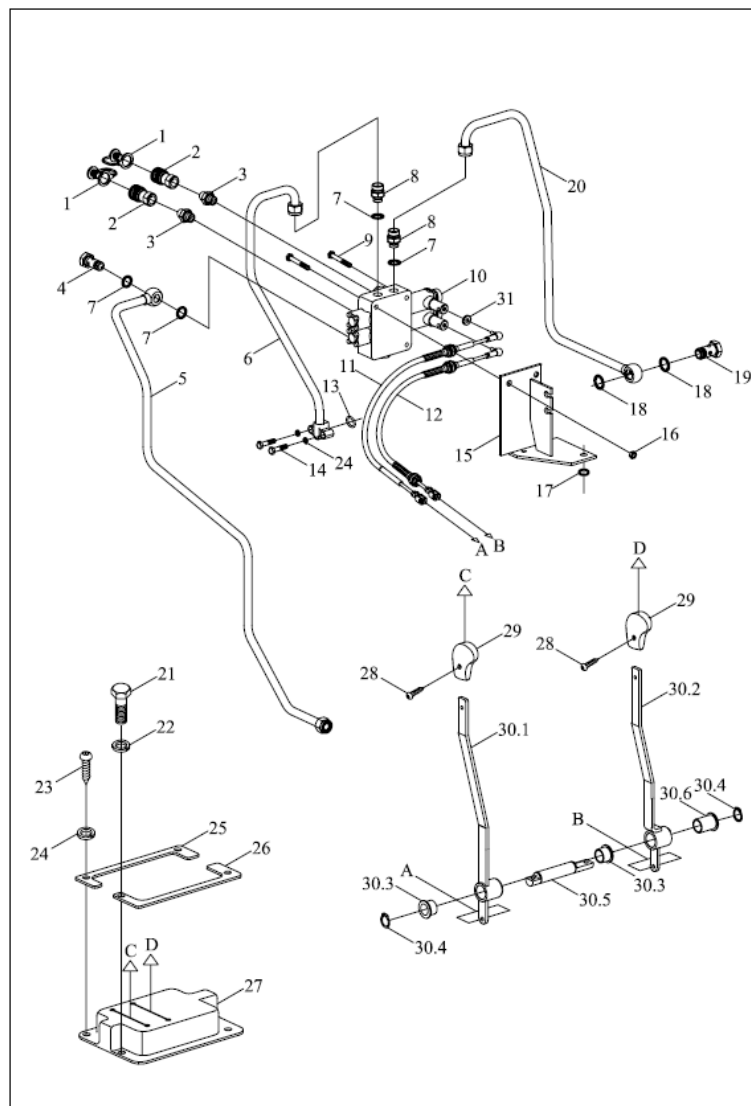
TB604.582C 多路阀油管及操纵机构总成



TB604.582C 58.2-多路阀油管及操纵机构总成 58.2-MULTI-WAY VALVE OIL PIPE OR CONTROL MECHANISM ASSEMBLY

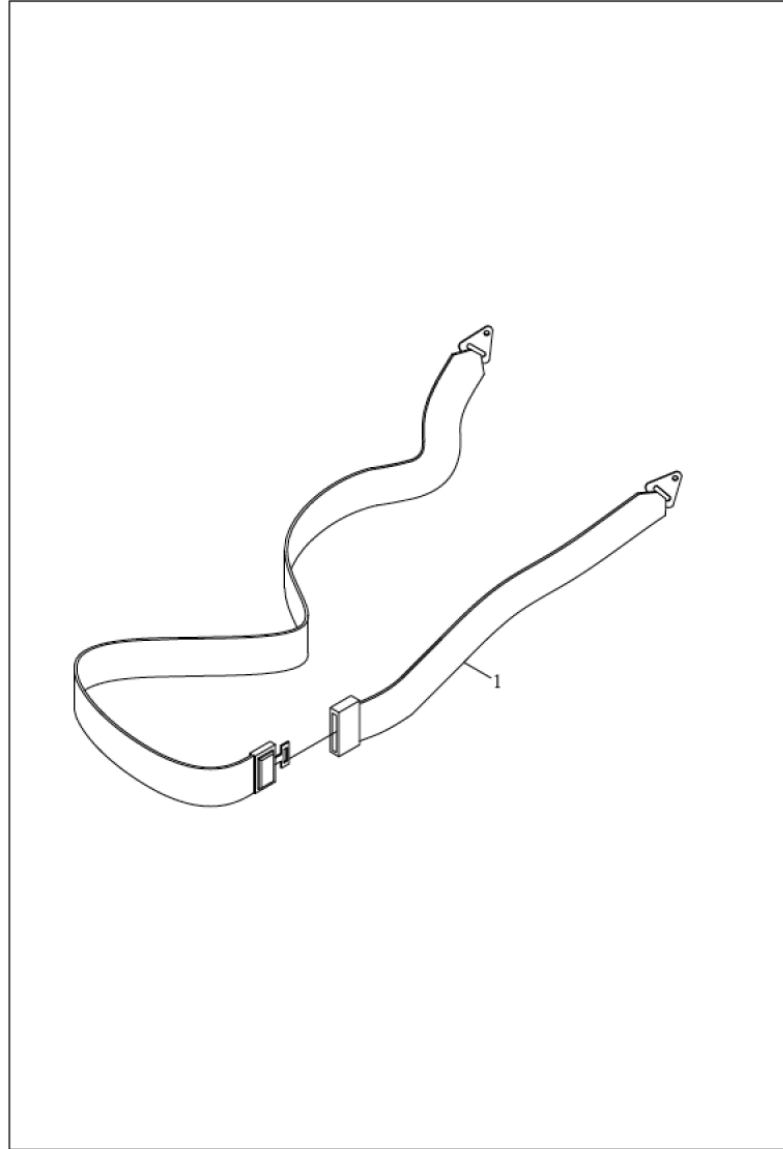
标号 No.	代号 Code	名称 Description		数量 Quantity	备注 Remark
1	TB504.582B-09	防尘塞	DUSTPROOF PLUG	4	2011-11_
10	TB504.582G.1	多路阀总成	MULTI-WAY VALVE ASSEMBLY	1	2011-11_
11	TB504.582B.6	软轴机构总成	SOFT SHAFT MECHANISM ASSEMBLY	1	2011-11_
11	TB504.582B.6	软轴机构总成	SOFT SHAFT MECHANISM ASSEMBLY	1	2011-11_
12	TB504.582B.11	软轴机构总成	SOFT SHAFT MECHANISM ASSEMBLY	1	2011-11_
13	GBT3452.1-18.0X2.65G	液压气动用O形橡胶密封圈	O-SEAL RING	1	2011-11_
14	GBT5783-M8X35-A2L	六角头螺栓	BOLT	2	2008-01_
15	TB504.582G.2	多路阀支架焊接	MULTI-WAY VALVE BRACKET WELDMENT	1	2011-11_
15	TB504.582G.2	多路阀支架焊接	MULTI-WAY VALVE BRACKET WELDMENT	1	2011-11_
16	GBT6170-M6-A2L	螺母	NUT	3	2011-11_
17	TB504.582B-07	垫圈	WASHER	1	2011-11_
18	JBT982-22	组合密封垫圈	COMBINED SEAL GASKET	2	2011-11_
19	FT654.58.107	空心螺栓-1	HOLLOW BOLT -1	1	2011-11_
2	TB504.582B.9	快速接头插座	QUICK JOINT SOCKET	4	2011-11_
20	TB504.582G.4	多路阀回油管焊接	MULTI-WAY VALVE OIL RETURN PIPE WELDMENT	1	2011-11_
21	GBT5783-M6x16-A2L	螺栓		4	2011-11_
22	GBT93-6-A0P	弹簧垫圈	BOLT	7	2011-11_
23	GBT70.1-M8X20	内六角圆柱头螺钉	SPRING WASHER	2	2008-01_
24	GBT93-8-A0P	垫圈	SCREW	4	2011-11_
25	TB604.582C-03	密封套压板2	WASHER SEAL SLEEVE PRESSURE PLATE 2	1	2011-11_
26	TB604.582C-02	密封套压板1		1	2011-11_
27	TB604.582C-01	密封套	SEAL SLEEVE PRESSURE PLATE 1	1	2011-11_
28	GBT68-M4X10-A2L	开槽双头螺钉	SEAL SLEEVE	2	2011-11_
29	TB504.552-04	手柄头总成		2	2011-11_
3	TB504.582B-08	多路阀接头	HANDLE HEAD ASSEMBLY	4	2011-11_

TB604.582C 多路阀油管及操纵机构总成



TB604.582C 58.2-多路阀油管及操纵机构总成(续)

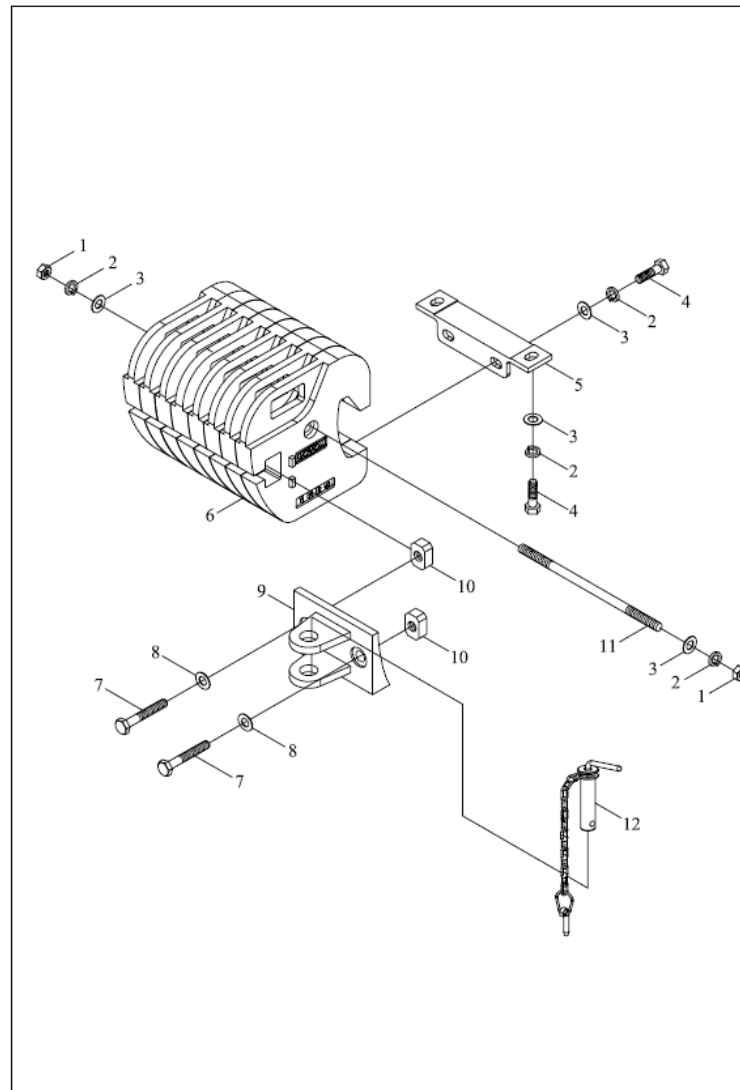
标号 No.	代号 Code	名称 Description		数量 Quantity	备注 Remark
30	TB604.582C.1	操纵机构总成	CONTROL MECHANISM ASSEMBLY	1	2011-11_
30.1	TB604.582C.1.2.1	操纵手柄总成1	CONTROL HANDLE ASSEMBLY 1	1	2011-11_
30.2	TB604.582C.1.1.1	操纵手柄总成2	CONTROL HANDLE ASSEMBLY 2	1	2011-11_
30.3	TB604.582C.1.2-01	尼龙套	NYLON SLEEVE	2	2011-11_
30.4	GBT894.1-18	挡圈	RETAINER RING	2	2011-11_
30.5	TB604.582C.1-01	支撑轴	SHAFT	1	2011-11_
30.6	TB604.582C.1.1-01	尼龙套	NYLON SLEEVE	1	2011-11_
31	GBT97.1-8-A0P	平垫圈	WASHER	2	2011-11_
4	TB504.582B-15	空心螺栓	HOLLOW BOLT	1	2011-11_
5	TB504.582G.3	多路阀进油管焊合	MULTI-WAY VALVE OIL INLET PIPE WELDMENT	1	2011-11_
6	TB504.582G.5	分配器进油管焊合	DISTRIBUTOR OIL INLET PIPE WELDMENT	1	2011-11_
7	JBT982-18	组合密封垫圈	COMBINED SEAL GASKET	8	2011-11_
7	JBT982-18	组合密封垫圈	COMBINED SEAL GASKET	8	2011-11_
8	TB504.582B-11	接头	CONNECTING JOINT	2	2011-11_
9	GBT5782-M6X60-A1L	六角头螺栓	BOLT	3	2011-11_
9	GBT5782-M6X60-A1L	六角头螺栓	BOLT	3	2011-11_



TA600.62ZC 62-安全带 62-SAFETY BELT

标号 No.	代号 Code	名称 Description	数量 Quantity	备注 Remark
1	TA600.62	安全带安装总成	1	2012-01_

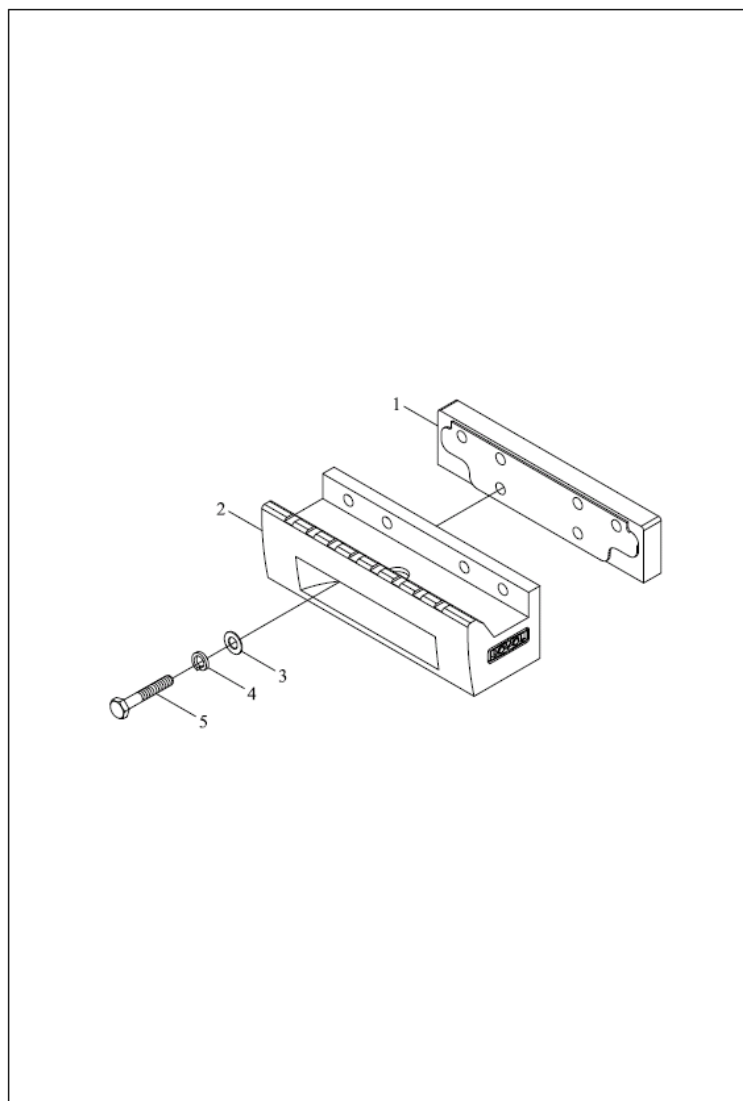
TB404.74A 前配重总成



TB404.74A 74-前配重总成 74-FRONT BALLAST ASSEMBLY

标号 No.	代号 Code	名称 Description		数量 Quantity	备注 Remark
1	GBT6170-M16-A3L	螺母 M16-A3L	NUT	2	2011-11_
10	FT650.74.108	牵引螺母	TOWING NUT	2	2011-11_
11	FT404.74A.108	连接螺栓	CONNECTING BOLT	1	2011-11_
12	TB400.74A.2	牵引销及锁销总成	TOWING PIN AND LOCK PIN ASSEMBLY	1	2011-11_
2	GBT93-16-A0P	弹簧垫圈	SPRING WASHER	6	2011-11_
3	GBT97.1-16-A0P	垫圈	WASHER	6	2011-11_
4	GBT5783-M16X35-A3L	六角头螺栓	BOLT	4	2011-11_
5	TB400.74A-03	固定架	FIXING BRACKET	1	2011-11_
6	TB404.74A.1	前配重小总成	FRONT BALLAST ASSEMBLY	1	2012-04_
6.1	TB400.74A-01	配重块	BALLAST	8	
6.1	TB400.74A-01	配重块	BALLAST	8	
7	GBT5785-M20X1.5X80-8.8-A3L	六角头螺栓	BOLT	2	
8	GBT97.1-20-A0P	垫圈	WASHER	2	2011-11_
8	GBT97.1-20-A0P	垫圈	WASHER	2	2011-11_
9	TB400.74A-04	牵引耳	TOWING LUG	1	2011-11_

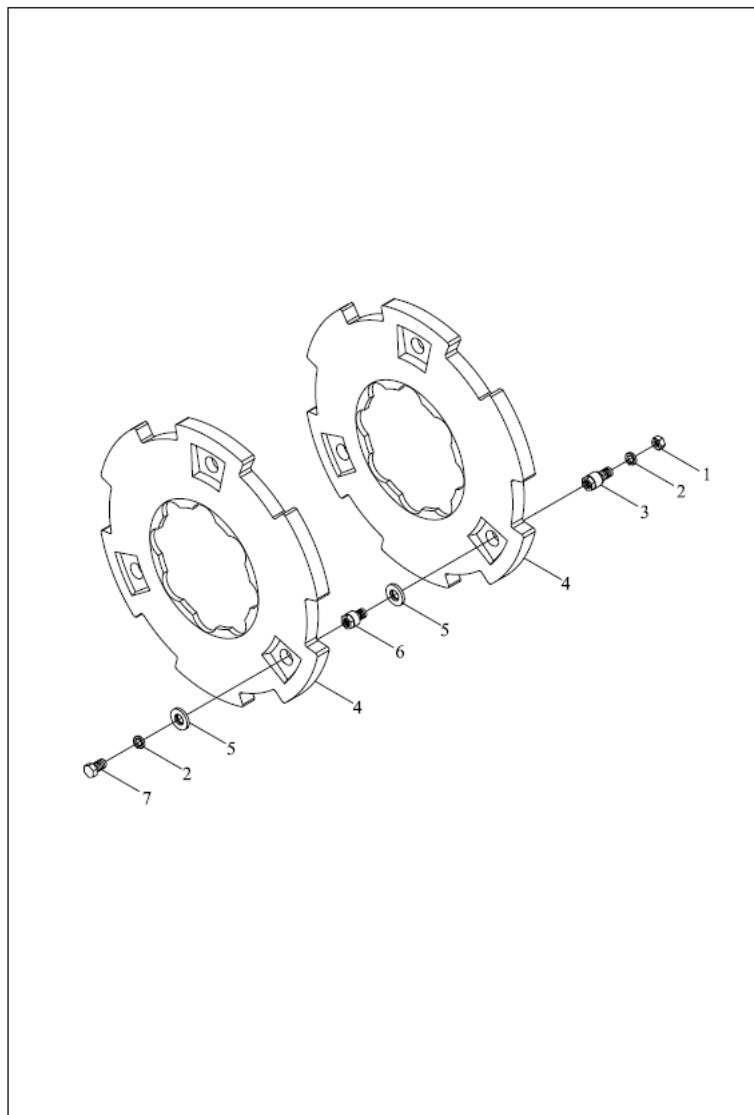
TB400.74B 前配重架总成



TB400.74B 74-前配重架总成 74-FRONT BALLAST BRACKET ASSEMBLY

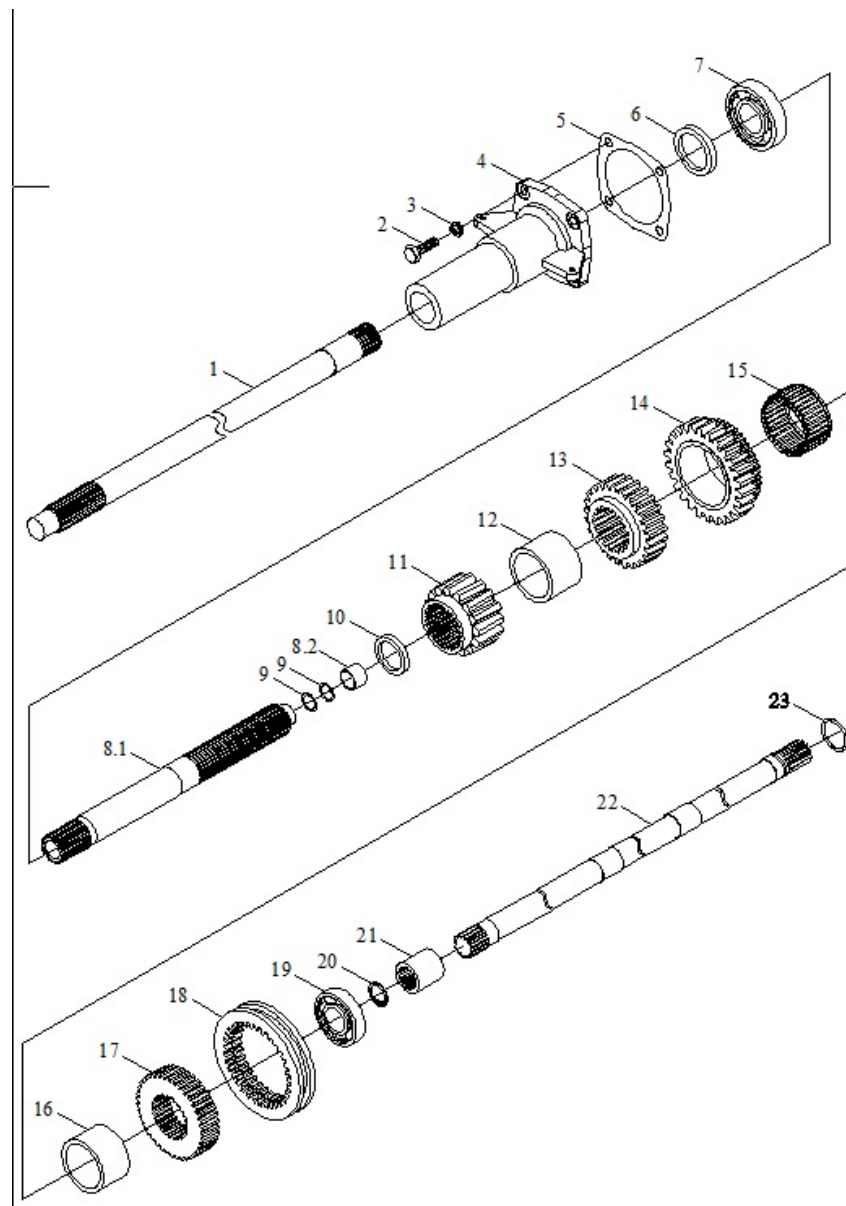
标号 No.	代号 Code	名称 Description		数量 Quantity	备注 Remark
1	FT300.74B.102	前配重架垫块	FRONT BALLAST BRACKET MAT BLOCK	1	2011-11_
2	TB400.74B-01	配重架	BALLAST BRACKET	1	2011-11_
3	GBT97.1-16-A0P	垫圈	WASHER	6	2011-11_
4	GBT93-16-A0P	弹簧垫圈	SPRING WASHER	6	2011-11_
5	GBT5780-M16X90-A2L	六角头螺栓	BOLT	6	2011-11_

TB400.91C 后配重总成



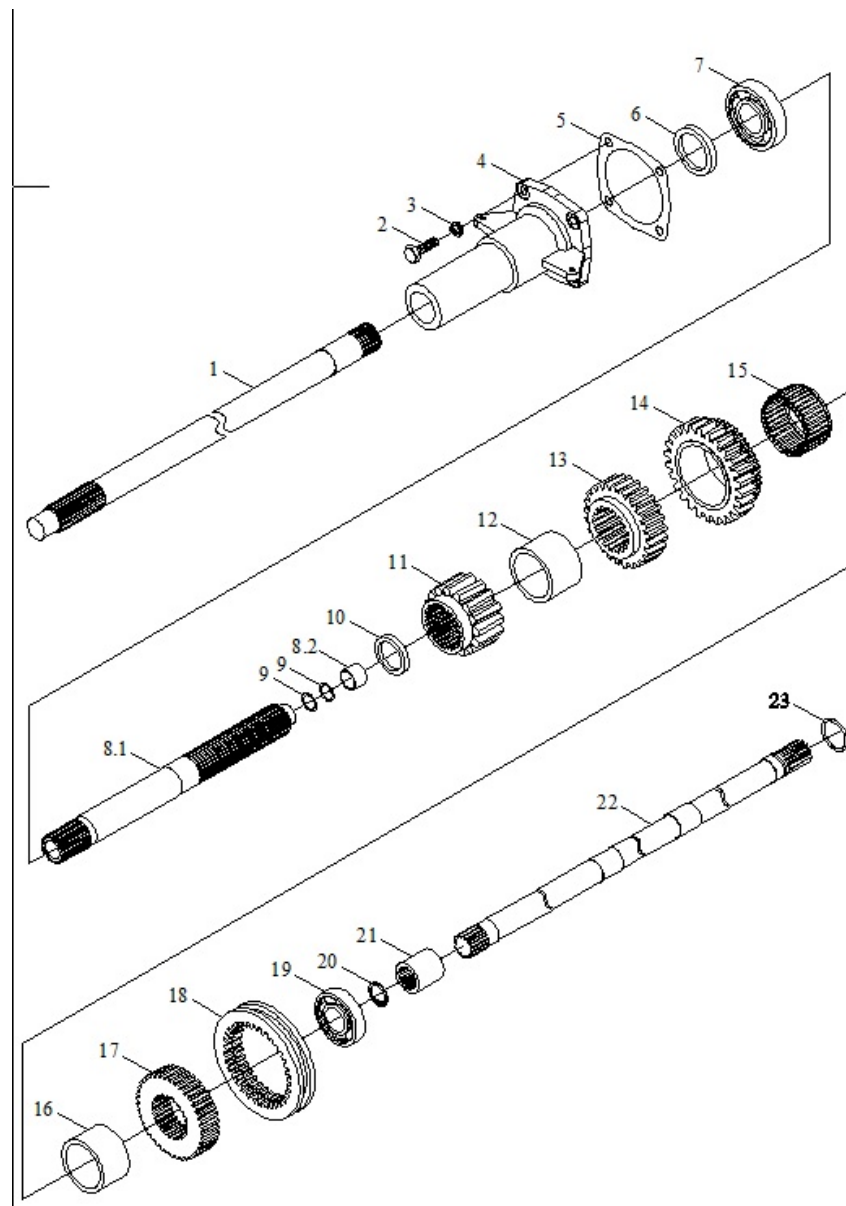
TB400.91C 91-后配重总成 91-REAR BALLAST ASSEMBLY

标号 No.	代号 Code	名称 Description		数量 Quantity	备注 Remark
1	GBT6171-M16X1.5-A3L	1型六角螺母	NUT	3	2011-11_
2	GBT93-16-A0P	弹簧垫圈	SPRING WASHER	6	2011-11_
3	TB400.91-02	后配重螺钉 I	REAR BALLAST SCREW I	3	2011-11_
4	TB400.91-01	后配重	REAR BALLAST	2	2011-11_
5	TB400.91-04	垫圈	WASHER	6	2004-01_
5	FT650.34.104	垫圈	WASHER	6	2009-09_
6	TB400.91-03	后配重螺钉 II	REAR BALLAST SCREW II	3	2011-11_
6	TB400.91-03	后配重螺钉 II	REAR BALLAST SCREW II	3	2011-11_
7	TB400.91-05	螺栓	BOLT	3	2011-11_



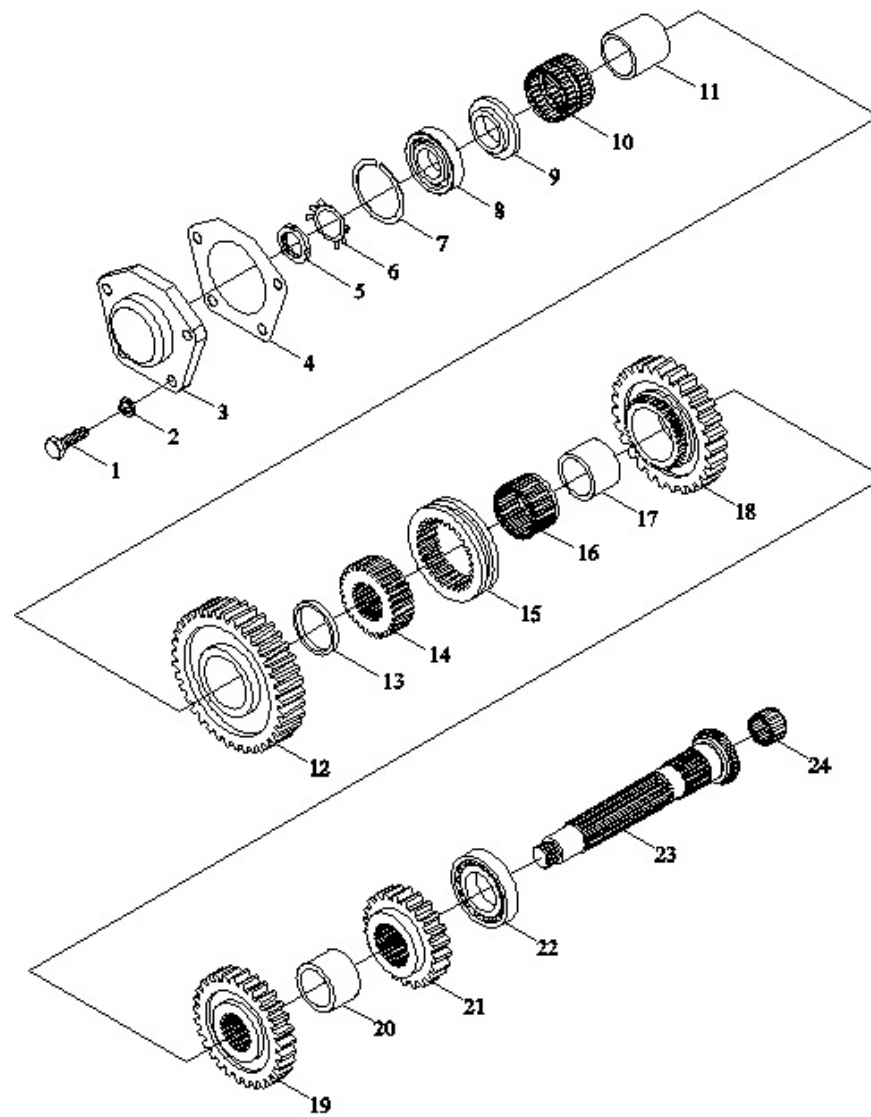
TB550.372-1 主变速总成-1 MAIN TRANSMISSION ASSEMBLY-1

标号 No.	代号 Code	名称 Description		数量 Quantity	备注 Remark
1	FT400.37B.201	副离合器轴	AUXILIARY CLUTCH SHAFT	1	2015-01_
10	TB550.372-18	I 档齿轮隔套	I GEAR SPACER	1	2015-01_
11	TB550.372-09a	I 档主动齿轮	I DRIVING GEAR	1	2015-01_
12	TB550.372-19	I - II 档齿轮隔套	I-II GEAR SPACER	1	2015-01_
13	TB550.372-10	II 档主动齿轮	II DRIVING GEAR	1	2015-01_
14	TB550.372-11a	III 档主动齿轮	III DRIVING GEAR	1	2015-01_
15	TB550.372-12	滚针轴承	NEEDLE BEARINGS	1	2015-01_
16	FT300.37M.130	III 档齿轮衬套	III GEAR BUSH	1	2015-01_
17	TB550.372-13	III-IV 档啮合齿座	III-IV ENGAGING GEAR SEAT	1	2015-01_
18	TB550.372-14a	III-IV 档啮合套	III-IV SHIFT COLLAR	1	2015-01_
19	GBT276-6007	轴承6007	BEARING	1	2015-01_
2	GBT5783-M8X25-8.8-A2L	六角头螺栓	BOLT	4	2015-01_
20	GBT893.1-21	孔用弹性挡圈	SNAP RING	1	2015-01_
21	FT300.37.136	连接套	CONNECTING SLEEVE	1	2015-01_
22	FT300.37J.137	动力输出连接轴	PTO CONNECTING SHAFT	1	2015-01_
23	GBT895.2-24	轴用钢丝挡圈	SNAP RING	1	2015-01_
3	GBT93-8-A0P	垫圈	WASHER	4	2015-01_
4	FT300.37B.124	I 轴轴承盖	SHAFT I BEARING COVER	1	2015-01_
5	FT300.37B.125	I 轴轴承盖纸垫	SHAFT I BEARING COVER PAPER GASKET	1	2015-01_
6	GBT9877.1-FB40X62X8F	内包骨架旋转轴唇形密封	O RING	1	2015-01_
6	GBT9877.1-FB40X62X8F	内包骨架旋转轴唇形密封	O RING	1	2015-01_
7	GBT276-6208	深沟球轴承	BEARING	1	2015-01_
8	FT300.37B.021a	I 轴合件	SHAFT I UNIT	1	2015-01_
8	FT300.37B.021a	I 轴合件	SHAFT I UNIT	1	2015-01_
8.1	FT300.37B.202a	I 轴	SHAFT I	1	2015-01_



TB550.372-1 主变速总成-1(续)

标号 No.	代号 Code	名称 Description		数量 Quantity	备注 Remark
8.2	FT300.37.170	衬套	SLEEVE	1	2015-01_



TB550.372-2 主变速总成-2 MAIN TRANSMISSION ASSEMBLY-2

标号 No.	代号 Code	名称 Description		数量 Quantity	备注 Remark
1	GBT5783-M8X25-8.8-A2L	六角头螺栓	BOLT	4	2015-01_
10	TB550.372-16	轴承	BEARING	1	2015-01_
11	TB550.372-07	I 档齿轮衬套	I GEAR BUSH	1	2015-01_
12	TB550.372-06a	I 档从动齿轮	I DRIVEN GEAR	1	2015-01_
13	TB550.372-15	隔套	SPACER BUSH	1	2015-01_
14	FT300.37M.116	I - II 档啮合齿座	I-II ENGAGING TOOTH SEAT	1	2015-01_
15	FT300.37M.119	动力输出啮合套	PTO SHIFT COLLAR	1	2015-01_
16	TB550.372-05	滚针轴承	NEEDLE BEARINGS	1	2015-01_
17	FT300.37M.114	I - II 档齿轮衬套	I-II GEAR BUSH	1	2015-01_
18	TB550.372-04a	II 档从动齿轮	II DRIVEN GEAR	1	2015-01_
19	TB550.372-03	III 档从动齿轮	III DRIVEN GEAR	1	2015-01_
19	TB550.372-03	III 档从动齿轮	III DRIVEN GEAR	1	2015-01_
2	GBT93-8-A0P	垫圈	WASHER	4	2015-01_
20	FT300.37.110	III-IV 档齿轮隔套	III-IV GEAR SPACER	1	2015-01_
21	TB550.372-01	IV 档从动齿轮	IV DRIVEN GEAR	1	2015-01_
22	GBT283-NUP208E	圆柱滚子轴承	BEARING	1	2015-01_
23	TB550.372-02	II 轴	SHAFT II	1	2015-01_
24	TB550.372-17	轴承	BEARING	1	2015-01_
3	FT300.37.120	II 轴轴承盖	SHAFT II BEARING COVER	1	2015-01_
4	FT300.37.119	II 轴轴承盖纸垫	SHAFT II BEARING COVER PAPER GASKET	1	2015-01_
5	GBT812-M24X1.5	圆螺母	ROUND NUT	1	2015-01_
6	GBT858-24	圆螺母用止动垫圈	THRUST RING	1	2015-01_
7	GBT305-72-78.6	止动环	THRUST RING	1	2015-01_
8	GBT276-6306N	深沟球轴承	BEARING	1	2015-01_
9	TB550.372-08	II 轴轴端挡圈	SHAFT II END RETAINER RING	1	2015-01_

